

IMPORTANT

Do Not Return This Product To The Store

If you have a problem with this product, please contact the "Haier Customer Satisfaction Center" at 1-877-337-3639.

DATED PROOF OF PURCHASE REQUIRED FOR WARRANTY SERVICE

IMPORTANT

Ne pas Réexpédier ce Produit au Magasin

Pour tout problème concernant ce produit, veuillez contacter le service des consommateurs 'Haier Customer Satisfaction Center' au 1-877-337-3639.

UNE PREUVE D'ACHAT DATEE EST REQUISE POUR BENEFICIER DE LA GARANTIE.

IMPORTANTE

No regrese este producto a la tienda


Si tiene algún problema con este producto, por favor contacte el "Centro de Servicio al Consumidor de Haier" al 1-877-337-3639 (Válido solo en E.U.A).

NECESITA UNA PRUEBA DE COMPRA FECHADA PARA EL SERVICIO DE LA GARANTIA

115V, 60Hz

Made in China

Haier®

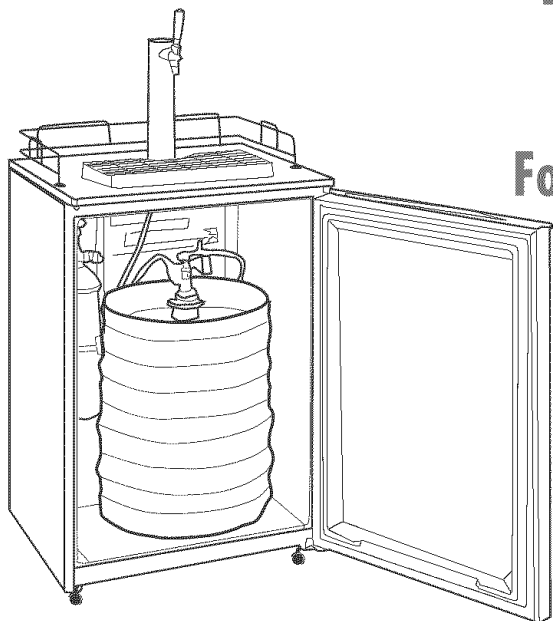


What The World Comes Home To™

**Haier America
New York, NY 10018**

Haier®

What The World Comes Home To™



**Beer Dispenser
BrewMaster**

**Fontaine à Bière
BrewMaster**

**Dispenser
De Cerveza
BrewMaster**

Installation Instructions-

Model #

Instruction d'installation-

Modèle #

Instrucciones De Instalacion-

Modelo #

HBFO5E

SAFETY PRECAUTIONS

Read all of the instructions before using this appliance. When using this appliance, always exercise basic safety precautions, including the following:

1. Use this appliance only for its intended purpose as described in this operation manual.
2. This appliance must be properly installed in accordance with the installation instructions before it is used. See the installation section for more details.
3. This appliance must be connected to a proper electrical outlet with the correct electrical supply.
4. Proper grounding must be ensured to reduce the risk of shock and fire. Do not cut or remove the grounding plug! If you do not have a three-prong electric receptacle outlet in the wall, have a certified electrician install the proper outlet. The wall receptacle must be properly grounded.
5. Never unplug your appliance by pulling on the power cord. Always grasp the plug firmly and pull straight out from the outlet.
6. Immediately replace worn power cords, loose plugs and power outlets.
7. To reduce the risk of electric shock or fire, do not use extension cords or adapters to connect the unit to an electrical power source.
8. Unplug your appliance before cleaning or making any repairs.
9. We suggest that a certified technician perform the service if for any reason this product requires service.
10. If your old appliance is being discarded, we recommend that you remove the door and leave the shelves in place. This will reduce the possibility of danger to children.
11. This appliance should not be recessed or built into an enclosed cabinet. It is designed for freestanding installation only.
12. Do not operate your appliance in the presence of explosive fumes.
13. Do not tamper with the controls.
14. Do not operate this appliance unless all enclosure panels are properly in place.
15. Do not operate this appliance when parts are missing or broken.
16. Do not use this appliance for commercial use.
17. This appliance is designed for indoor use only and should not be used outdoors.
18. To reduce the risk of injury, do not allow children to play in or on the appliance. Close supervision is necessary when the appliance is used near children.
19. The appliance door must be closed during operation. Do not leave the door open when children are near the dispenser.

Important Safety Precautions of CO₂ (Carbon Dioxide) Gas

1. CO₂ gas can be dangerous! CO₂ cylinders contain high-pressure compressed gas, which can be hazardous if not handled properly. Make sure you read and understand all the procedures for the CO₂ cylinders before installation.
2. Always connect the CO₂ cylinder to a regulator! Failure to do so may cause an explosion resulting in possible death or injury when the cylinder valve is opened.
3. Never connect the CO₂ cylinder directly to the product container.
4. Always follow the correct procedures when changing cylinders.
5. Never drop or throw a CO₂ cylinder.
6. Always keep CO₂ cylinders away from heat. Store extra cylinders in a cool place (preferably 70° F). Securely fasten with a chain in an upright position when storing.
7. Always ventilate and leave the area immediately if CO₂ leakage has occurred!
8. Always check the D.O.T. (Department of Transport) test date on the cylinder neck before installation. If it has been over 5 years, do not use. Return the cylinder to your gas supplier.
9. Never connect a product container unless there are at least two safety devices in the pressure system; one on the CO₂ regulator and the other on the product container or in the pressure gas line.

SAVE THESE INSTRUCTIONS

For Future Use

DANGER!

Risk of child entrapment! Before throwing away your old appliance, remove the door so that children may not easily become trapped inside.

Thank you for purchasing our Haier product. This easy-to-use manual will guide you in getting the best use of your beer dispenser.

Remember to record the model and serial number. They are on a label in back of the unit.

Model number

Serial number

Date of purchase

Table of Contents

	PAGE
SAFETY PRECAUTIONS	1-2
General Safety	1
CO ₂ (Carbon Dioxide) Gas Safety	2
UNPACKING AND ACCESSORIES INVENTORY	4
PARTS AND FEATURES	5
PROPER LOCATION	6
ASSEMBLY INSTRUCTIONS	7-10
Installing the Casters	7
Installing the Beer Tap	7
Installing the Guardrail	8
Installing the CO ₂ Regulator and CO ₂ Cylinder	8
Tapping the Beer Keg (Single-Valve Type Barrel)	9
Important Safety Message for Draft Beer Dispensing	10
OPERATING YOUR BEER DISPENSER	10-12
Dispensing the Beer	11
Understanding Beer Temperature	11
Understanding the Temperature Control Setting	11
Automatic Defrosting	11
Normal Operating Sounds	12
BEER SERVING GUIDE	12-13
Beer Serving Tips	12
What a 1/2-Keg of Beer Gives You	12
Tips for Cleaning Beer Glasses	13
2 Simple Tests for Cleaning Beer Glasses	13
CONVERTING THE BEER DISPENSER TO AN ALL-REFRIGERATOR APPLICATION	13-14
ENERGY SAVING TIPS	14
PROPER CARE AND CLEANING OF THE BEER DISPENSER	15-16
Installing the Cleaning Kit	15
Cleaning and General Maintenance	16
TROUBLESHOOTING GUIDE	17-21
WARRANTY	22

Unpacking and Accessories Inventory

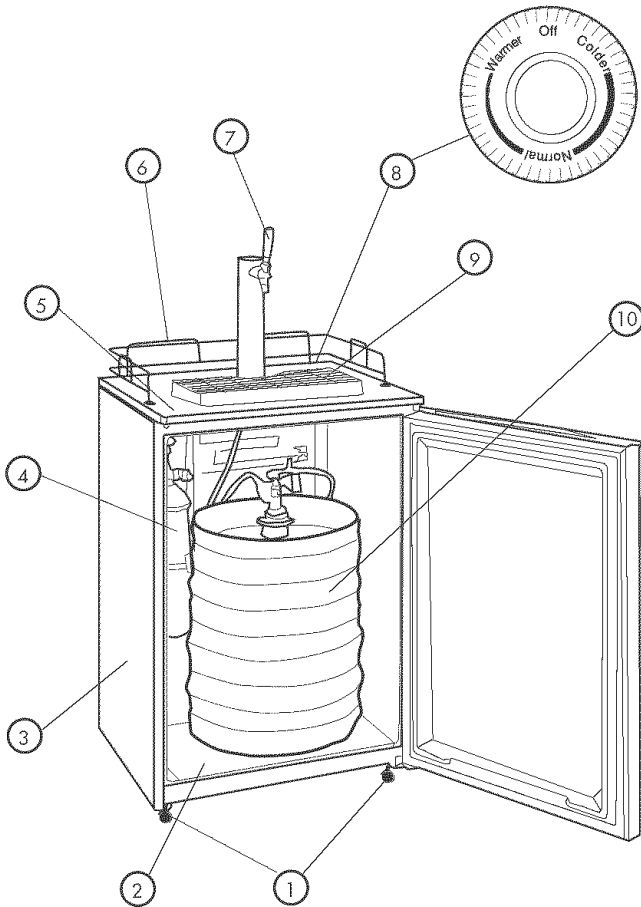
1. Remove all packing materials. This includes the foam base and all adhesive tape holding the accessories both inside and outside. Slide out and remove the plastic or foam guard used to secure the compressor during shipping.
2. Inspect and remove any remaining packaging, tape or printed materials before turning on the beer dispenser.

Note: Allow the beer dispenser to stand in an upright position for 2 hours before turning on the power.

Check all supplied accessories in the carton to be sure that all pieces are present and in good condition. A checklist of accessories is listed below for your reference. If you find any accessories that are not in good condition or are missing, please contact our customer service department for assistance. **Our Toll-Free number is 1-877-337-3639.**

- 1 Beer Tap Including:
 - 1 Gasket for the Beer Tap
 - 1 Washer for Connection to the Keg Coupler
- 1 CO₂ Regulator
- 1 CO₂ Cylinder
- 1 Keg Coupler
- 1 Cleaning Kit
- 1 CO₂ Air Line
- 2 Hose Clamps
- 1 CO₂ Cylinder Retainer
- 1 Guardrail
- 1 Drip Tray
- 4 Casters
- 1 Wrench
- 4 Large Phillips-Head Screws
- 8 Small Phillips-Head Screws
- 2 Retainer Fixing Screws
- 2 Wire Shelves
- 4 Support Pins

Parts and Features



- | | |
|-------------------------------|--|
| 1. Front Casters | 7. Chrome Beer Tap |
| 2. Interior Keg Floor Support | 8. Adjustable Thermostat
(Located in rear.) |
| 3. Cabinet | 9. Drip Tray |
| 4. CO ₂ Tank | 10. Keg (Not included. Shown for
illustration purposes only.) |
| 5. Worktop | |
| 6. Chrome Guardrail | |

Proper Location

- To ensure that your beer dispenser works at the maximum efficiency it was designed for, install it in a location where there is proper air circulation, plumbing and electrical connections.
- Choose a location where the beer dispenser will be away from heat and will not be exposed to direct sunlight.
- This beer dispenser is designed for **indoor use only** and should not be used outdoors.
- This beer dispenser is a freestanding design and should not be placed in a built-in or recessed area.
- The following dimensions are the recommended clearances around the beer dispenser.

Sides3/4" (19mm)

Top1" (25mm)

Back1" (25mm)

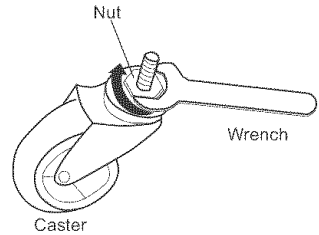
Assembly Instructions

Read carefully and understand all installation instructions before installing the beer dispenser. If after completing the process you are still unsure whether the beer dispenser has been properly installed, we recommend that you contact a qualified installer.

Installing the Casters

Follow the steps below to install the casters.

1. Empty the inside of the cabinet completely and lay the beer dispenser down sideways. We recommend that you place a piece of cardboard or cloth underneath the cabinet to prevent dents or scratches to the cabinet.
2. Insert the casters into the holes on the bottom corners of the cabinet. Tighten each caster by turning the nut clockwise with the wrench provided.
3. Once all four casters have been tightened evenly, stand the cabinet in an upright position.



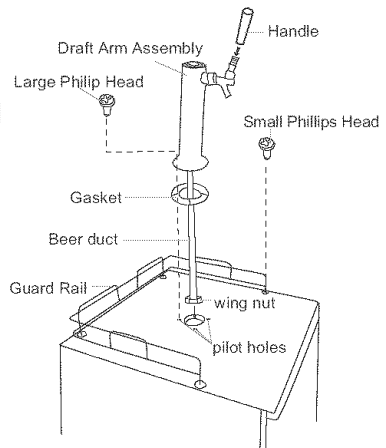
Installing the Beer Tap

Follow the steps below to install the beer tap.

1. First, remove the cabinet plug located on the worktop. Firmly grasp the cabinet plug, twist and pull upward.

Note: Store this plug in a safe place as it will be required when converting the beer dispenser into a refrigerator.

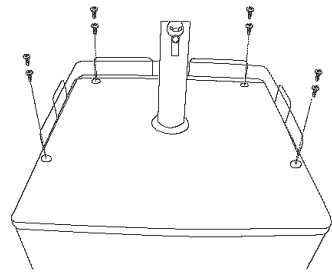
2. Place the gasket over the wing nut on the bottom of the beer tap.
3. Pass the beer tube through the gasket to the base of the beer tap.
4. Push both the wing nut and the beer duct through the hole in the worktop until the beer tap is resting on top of the cabinet.
5. Align the holes of the beer tap with the gasket and pilot holes on the worktop of cabinet.
6. Secure the beer tap to the cabinet by inserting four large Phillips-Head screws into the holes and tightening.



Installing the Guardrail

Follow the steps below to install the guardrail on the worktop.

1. Place the guardrail on top of the cabinet.
2. Align all holes of the guardrail with the holes of the cabinet.
3. Secure the guardrail to the cabinet with eight small Phillips-Head screws.

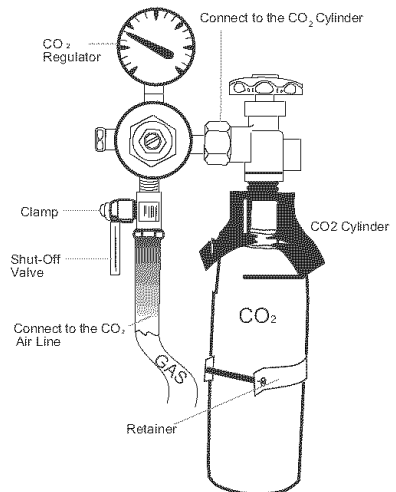


Installing the CO₂ Regulator and CO₂ Cylinder

Follow the steps below to safely install the CO₂ regulator and CO₂ cylinder. You must read and understand the following procedures for CO₂ cylinders before installation.

Note: Your CO₂ cylinder is shipped empty to avoid any possible accidents during transportation. When you purchase the first keg of beer, have your beer distributor fill the CO₂ cylinder.

1. Install the CO₂ air line hose to the regulator by attaching one end of the red air line hose to the hose barb connection on the CO₂ regulator. Secure the hose by using one of the two self-locking black plastic snap-on clamps. Use pliers to snap the clamp on tightly to ensure that there are no leaks.
2. Attach the CO₂ regulator to the CO₂ cylinder by screwing the regulator nut onto the cylinder valve and tightening with an adjustable wrench.
3. Remove the nut from the retainer bolt. Use two retainer fixing screws to secure the retainer to the holes on the back of the cylinder.
4. Slide the cylinder through the retainer and place it in the cabinet. Then tighten the retainer nut.



WARNING!

CO₂ can be dangerous! CO₂ cylinders contain high-pressured gas, which can be hazardous if handled improperly. They must be handled with care.

Tapping the Beer Keg (Single-Valve Type Barrel)

Your beer dispenser comes with an American Sankey Tap made by the Banner Equipment Company. This brand name is the most widely used in the United States. Before purchasing a keg, check with your beer distributor to make sure that a Sankey Tap can be used.

Note: For European draft beer, a European Sankey is required. Please call the Banner Equipment Company Toll-Free at (800) 621-4625 for more information.

Follow the steps below to tap the keg of beer.

1. Make sure the black pull handle of the keg coupler is in the closed (up) position before installing it on the beer keg. Insert the keg coupler into the locking neck of the beer keg and turn clockwise 1/4-turn to lock it into position. (see fig. 1)
2. Attach the open end of the red air line hose to the hose barb connection on the keg coupler. Next, secure the hose by using the remaining self-locking plastic snap-on clamp to ensure that there are no leaks. Secure the clamp tightly with pliers. (see fig. 2)
3. It is very important that the black rubber washer be installed inside the wing nut before connecting the beer line to the keg coupler. Remove the black rubber protective cap located on top of the keg coupler and screw the wing nut with the rubber washer onto the keg coupler. Hand-tighten firmly. (see fig. 3)
4. Make sure the beer tower faucet is in the closed (faucet handle pointing straight back) position before connecting the keg coupler and the beer keg. To secure the tank connection, pull the keg coupler handle out and push down until it locks into position. Listen for the "click" of the pull handle when it shifts into the final downward position. (see fig. 4)

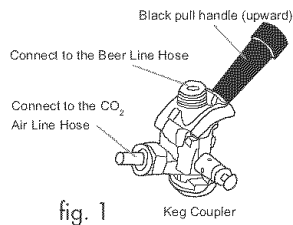


fig. 1

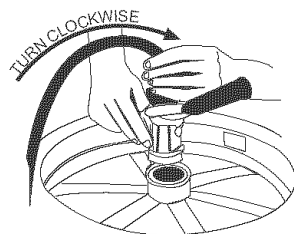


fig. 2

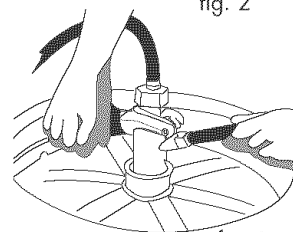


fig. 3

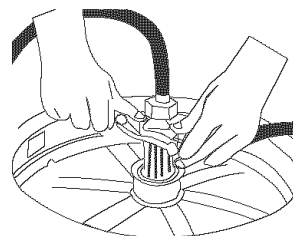
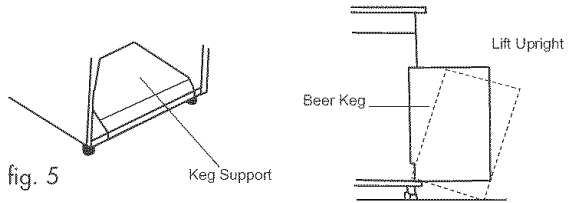


fig. 4

5. Carefully tilt the beer keg and rest the edge on the stainless steel keg floor support on the bottom of the interior cabinet. Slide the beer keg in slowly, ensuring that it is properly located. (see fig. 5)



Important Safety Message for Draft Beer Dispensing

If CO₂ is used for draft beer dispensing, the system must be adequately protected against excessive pressure build-up. This can be accomplished by installing at least two safety devices with adequate relief capacity in the system.

Safety devices should be installed in the following places:

- A. On or immediately downstream from the CO₂ regulator.
- B. On the tapping device itself.
- C. In-line in the pressure system.

Note: Locations A and B noted above are preferable. If possible, they should be built into the CO₂ regulator and tapping device so that they cannot be removed or by-passed.

Operating Your Beer Dispenser

Dispensing Beer

Follow the steps below to dispense beer.

1. Make sure that the beer dispenser is plugged in properly to a 120V, 60Hz, 15Amp grounded AC outlet.
2. Place the drip tray under the beer faucet.
3. Open the beer faucet by pulling the tap towards you quickly and completely to dispense the beer.

Note: If for any reason the beer does not come out of the tap, refer to the trouble-shooting guide on page 17.

4. Increase the pressure if the beer runs too slowly. At the correct pressure and temperature, a 10oz. glass should be filled in 4 seconds.
5. Hold the glass steady at a 45° angle. When it is 2/3 full, start straightening the glass. Proper foam should be a tight creamy head and the collar on an average glass should be 3/4" to 1" high.

Note: It is normal to see condensation forming on the outer surface of the faucet. It is caused by the difference in temperature between the cold beer and the inner surfaces of the faucet when beer is flowing through the line.

Understanding Beer Temperature

- The recommended temperature for serving chilled beer is between 34° and 38°F. To maintain this temperature in average room conditions of 70°F, set the thermostat to "Normal."

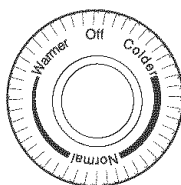
Note: During the summertime when temperatures are warmer, we recommend that you adjust the control to a cooler setting accordingly.

- Select and maintain the proper temperature inside the refrigerator cabinet. This is necessary for maintaining the flavor freshness of beer.
- The best temperature for storing a keg is between 38° and 40°F.
- Excessively cold or warm temperatures inside the refrigerator cabinet may cause a loss of flavor.

Note: Sour beer is produced as a result of secondary fermentation above 45°F.

Understanding the Temperature Control Setting

The temperature control is located at the rear of the unit on the bottom left-hand corner. After turning the unit on, you must wait 24 hours for the unit to cool properly. You may then adjust the temperature setting based on your needs and preferences.



Automatic Defrosting

It is not necessary to defrost the beer dispenser/refrigerator. Ice that has deposited on the evaporator is automatically defrosted when the compressor cycles off. The defrosted water collects in the water collection tray at the rear of the unit and evaporates.

Understanding Normal Operating Sounds

- Bubbling or gurgling sounds and slight vibrations are the result of the refrigerant circulating through the cooling coils.
- Sizzling or popping sounds occur during the automatic defrost cycle.
- Dripping sounds occur as ice melts from the evaporator and flows into the water collection tray during the automatic defrost cycle.
- Cracking or popping sounds are caused by the expanding and/or contracting of the cooling coils during the automatic defrost cycle.

Beer Serving Guide

Beer Serving Tips

The following tips will help you serve the perfect beer.

To serve beer from the tap the way it left the vat, check for the following:

- Cleanliness
- Temperature
- Pressure
- Use CO₂ whenever possible

What a 1/2-Keg of Beer Gives You

This beer dispenser can hold up to a 1/2-keg. For your convenience, the following table shows how many servings a 1/2-keg provides.

<u>No. of Glasses</u>	<u>Glass Size</u>	
192	12 oz.	
236	10 oz.	1/2-Keg = 15-1/2 Gallons
264	9 oz.	= 1984 Fluid Ounces
290	8 oz.	1/2-Keg = 6-3/4 Cases of 12 ounce Bottles
353	7 oz.	
417	6 oz.	

Tips for Cleaning Beer Glasses

For the freshest flavor, it is important to serve beer in clean glasses. For your convenience, the following tips explain how to properly clean beer glasses before serving beer.

- Do not wash beer glasses together with glasses that have contained milk or any other fatty substance.
- An excessive amount of germicide build-up will also leave a fatty film on the glasses, which may cause flat beer.
- Wash glasses thoroughly with a good detergent to remove all fatty substances (i.e. lipstick).
- Do not use soap.
- Do not wipe glasses dry. Allow glasses to air-dry by placing them on a wire rack or on corrugated metal.
- Rinse in fresh cold water just before serving beer. It is best to serve beer in a wet glass.

Two Simple Tests for Clean Beer Glasses

1. Wash the glasses using your usual method. Immerse the glass heel first in clean water. Empty the glass. If water droplets cling to the glass or if spots appear on the glass while pouring, the glass has not been cleaned properly. A clean glass should air-dry crystal clear.
2. Again, wash the glass using your usual method. Pour out the water and then shake salt into the wet glass. If salt does not cling to the entire inside wall of the glass and clear unsalted spots remain, the glass is not clean.

Converting the Beer Dispenser to an All-Refrigerator Application

For your convenience, this beer dispenser can be converted to an all-refrigerator application. Simply follow the steps below for a quick and easy conversion.

Note: When using as a refrigerator, we do not recommend the use of casters, as stored items may fall off the shelves when the unit is in motion.

1. Close the main valve on the CO₂ cylinder.
2. Close the connection between the beer keg and the keg coupler by pulling and lifting the handle of the keg coupler into an upright position.
3. Disconnect both the beer line and the CO₂ air line from the keg coupler.
4. Remove the beer keg from the cabinet.

5. Disconnect the air line from the CO₂ cylinder.
6. Remove the CO₂ cylinder from the cabinet.
7. Remove the beer tower from the cabinet by grasping the center of the tower. Turn counterclockwise and lift.
8. Pull the beer line through the top of the cabinet.
9. Install the cabinet plug on the worktop.
10. Lay the unit down sideways. We recommend that you place a piece of cardboard or cloth underneath the cabinet to avoid dents or scratches to the cabinet. Remove the casters and install leveling legs.
11. Install the two wire shelves.
 - A. Insert one end of each support pin into the holes on the right side of the cabinet.
 - B. Place one end of the wire shelf into the left side of the cabinet and rest the other end onto the exposed support pins on the right side.
 - C. Repeat the same with the second shelf.
12. The conversion process is now complete. Store all the removed accessories in a safe place for future use.
13. Adjust the temperature of the unit as required for food storage.

Energy Saving Tips

Follow the energy-saving tips below for optimum efficiency.

- Limit the opening and closing of the door on hot and humid days. When you open the door, close it quickly to prevent hot air from entering.
- Check regularly for proper air circulation around the unit to make sure that the unit receives sufficient airflow.
- Keep the door gasket clean and pliable to ensure a proper seal. If the door gasket is not sealed properly, hot air may easily enter into the unit, making the interior temperature warmer. The compressor must then run continuously to keep the unit cool, thus making the energy consumption very high and inefficient.

Note: Replace a damaged door gasket to restore energy efficiency.

- DO NOT store hot food in the unit. Let the food cool before refrigerating it.

Proper Care and Cleaning of the Beer Dispenser

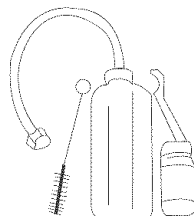
Installing the Cleaning Kit

Read and understand the following instructions before installing the cleaning kit.

1. Mix one gallon of warm water and one ounce (one tablespoon) of cleaner in a bucket.

Note: Do not use lye, soap or hot water.

2. Remove the cleaner cap. Fill the jar and replace the cap. Leave the remaining solution in the bucket.
3. Turn off either the air cock on the regulator or the valve on the CO₂ tank.



4. Disconnect the tap from the barrel. Then disconnect the beer line from the tap by turning the nut counter-clockwise. Place the tap and the end of the hose in the bucket.
 5. Remove the faucet from the tower with the wrench and attach the fitting on the cleaning bottle in its place.
- Note:** Make sure there is a washer in the back of the fitting.
6. Hold the cleaning jar upside down until the solution runs through to the bucket as shown in the above figure.
 7. Fill the jar with cool clean water and repeat the process until the water runs clear.
 8. Rinse the tap in the bucket with cool water.
 9. Remove the fitting from the tower and replace the faucet. Make sure the washer is in the back of the faucet.
 10. Re-attach the beer hose to the tap and attach the tap to the barrel.

Note: Beer lines should be flushed after each keg is emptied.

Cleaning and General Maintenance

General Interior and Exterior Cabinet Cleaning

1. Prepare a cleaning solution of 3-4 tablespoons of baking soda mixed with warm water. Use a sponge or soft cloth dampened with the cleaning solution to wipe down the interior and exterior surfaces of the cabinet.
2. Rinse with clean, warm water and dry with a soft cloth.

Note: Do not use harsh chemicals, abrasives, ammonia, chlorine bleach, concentrated detergents, solvents or metal scouring pads. Some of these products may dissolve, damage and/or discolor the cabinet finish.

Door Gasket Cleaning

1. Clean the door gasket with a damp cloth every three months. The gasket must be kept clean and pliable to ensure a proper seal.
2. Petroleum jelly applied lightly to the hinge side of the gaskets will keep the gasket pliable and ensure a good seal.

WARNING!

To avoid electric shock, always unplug your beer dispenser before cleaning. Failure to do so may result in possible death or injury.

Cleaning Behind the Beer Dispenser

1. We recommend that you clean the rear of the refrigerator at least twice a year.
Note: Some operating environments may require more frequent cleaning.
2. Use a vacuum or a brush to clean the coils.

CAUTION!

Before using cleaning products, always read and follow the manufacturer's instructions and warnings to avoid personal injury and product damage.

Troubleshooting Guide

When dispensing beer into the glass, if you find that the beer is Cloudy, Flat, Bubbly, Off-Taste, Sour, Wild or Tail-End Beer, refer to some of the following hints.

Beer Condition: Cloudy Beer

The beer in the glass appears hazy, and not clear.

Cause 1

Excessively low temperatures may cause hazy or cloudy beer, particularly when the beer lies in the cold coil for long periods of time.

Correction

- Make certain that the lines are thoroughly cleaned and then raise the temperature slightly.

Cause 2

The beer faucet was only opened partially.

Correction

- Open the faucet quickly and completely.
- Replace any worn washers and parts in the faucet when necessary to allow the faucet to be fully opened.

Beer Condition: Flat Beer

Beer lacks its usual brewery-fresh flavor. The foamy head disappears quickly.

Cause 1

The glass is greasy.

Correction

- Do not wash beer glasses together with glasses that have contained milk or any other fatty substance. An excessive amount of germicide build-up may also leave a fatty film, which will cause beer to go flat.
- It is preferable to steam and sterilize glasses where health laws permit.
- Wash glasses thoroughly with a good detergent to remove all fatty substances (i.e. lipstick).
- Do not use soap.
- Do not wipe the glasses dry. Permit glasses to air-dry by placing them on a wire rack or on corrugated metal.
- Rinse the glasses in fresh cold water just before serving beer. It is best to serve beer in a wet glass.

Cause 2

Improper drawing of beer into the glass.

Correction

- Open the faucet quickly and completely.
- Proper foam should be a tight creamy head. The collar on the average glass should be 3/4" to 1" high. Beer drawn without head has the appearance of being flat.

Cause 3

Not enough pressure.

Correction

- Increase the pressure if beer runs too slowly. The correct flow should fill a 10oz. glass in 4 seconds. (Approx. 8oz. of liquid)
- Check the pressure source to determine whether there are obstructions in the air line.
- Replace a sluggish air source or the CO₂ regulator and gauge.
- The tank pressure must always be higher than the pressure used on the keg.
- Always apply pressure to the keg before drawing beer.

Beer Condition: Loose Foam

Large soap-like bubbles that settle quickly.

Cause 1

This is generally the same as the Flat Beer condition. See the Flat Beer causes above.

Beer Condition: Off-Taste Beer

Often bitter and bitey; sometimes completely lacking in flavor and zest. May also have an oily or foul odor, which carries an unpleasant taste.

Cause 1

Improper cleaning of the tap.

Correction

- Brush and clean the tap properly. It should be scoured using a detergent, then rinsed clean.

Cause 2

Contaminated air line.

Correction

- Air line should be examined. If contaminated, it should be replaced.

Cause 3

Improper type of air line

Correction

- A rubber hose will absorb and retain odors. Try using a plastic or copper hose instead.

General Recommendations for Off-Taste Beer:

Beer lines should be flushed after each keg is emptied. Maintain fresh, clean, sanitary conditions around the dispenser. Smoke, cooking odors and disinfectants will harm the taste and flavor of beer. These conditions, as described, may come from an air source or from actual contact with the glass when drawing beer.

Beer Condition: Sour Beer

Beer tastes and smells extremely yeasty or moldy.

Cause 1

Improper transporting of beer kegs. Beer that is delivered on an open truck during high summer temperatures may start a secondary fermentation process.

Correction

- If possible, have beer kegs delivered in a closed, refrigerated truck. If an open truck is used, cover beer kegs with tarpaulin for protection against summer heat and warm air.

Beer Condition: Wild Beer

Beer that is either all foam, or too much foam and not enough liquid.

Cause 1

Improper drawing of beer into the glass.

Correction

- Open the faucet quickly and completely.
- Proper foam should be a tight, creamy head, and the collar on the average glass should be 3/4" to 1" high.

Cause 2

Yeast growth or other obstructions in the faucet, which is usually caused by a non-refrigerated faucet. Worn faucet parts and worn faucet washers.

Correction

- Check for, and replace any kinked, dented, or twisted lines from the barrel to the faucet.
- Examine for frayed coupling washers behind the faucet that may cause an obstruction.

Cause 3

The beer was stored in an area that is not cold enough and has thus become warm.

Correction

- Keep kegs of beer refrigerated at all times at 40°F all year round!

Cause 4

Too much air pressure.

Correction

- First, check the source of pressure to make sure it is working. Then adjust the pressure to suit a properly balanced system. The correct beer flow should fill a 10oz. glass in 4 seconds at the proper temperature.

Cause 5

Excessive amounts of CO₂.

Correction

- Adjust the CO₂ pressure to as low as possible. However, the applied pressure must remain slightly higher than the internal pressure of the beer. No more than 18 lbs. should be applied. The proper amount should be between 10-12psi/lbs.
- The colder the beer and the higher the applied CO₂ pressure, the more rapid the absorption of CO₂ by the beer. This over-carbonates the beer, causing Wild Beer.
- Check the pressure regulators periodically to ensure that the operating pressures remain constant.

Cause 6

Not enough pressure or no pressure at all.

Correction

- Check for defective air vents.
- Always turn the pressure on before drawing beer.

Cause 7

An old keg of beer which has not been stored in cool temperatures has been used.

Correction

- If beer has been allowed to stand in warm temperatures beyond 45°F for an excessive length of time, it may begin a secondary fermentation. Store beer at 40°F all year round.

Beer Condition: Tail-End Beer

Beer draws well at the beginning of the keg. Towards the bottom, it becomes flat. This is more likely to occur when beer turnover is slow.

Cause 1

Where air is used as a pressure source, air replaces the CO₂ in beer, causing flat beer. This problem is not evident when beer is being drawn rapidly.

Correction

- Whenever possible, use CO₂ Gas as a pressure source.

Limited Warranty

In-Home Service

What is covered and for how long?

This warranty covers all defects in workmanship or materials for a period of:

12 months labor

12 months parts

5 years sealed system(parts only)

The warranty commences on the date the item was purchased and the original purchase receipt must be presented to the authorized service center before warranty repairs are rendered.

EXCEPTIONS: Commercial or Rental Use warranty

90 days labor (carry-in only)

90 days parts

No other warranty applies

What is covered.

1. The mechanical and electrical parts, which serve as a functional, purpose of this appliance for a period of 12 months. This includes all parts except finish, and trim.
2. The components of the sealed system e.g. hermetic compressor, condenser and evaporator from manufacturing defects for a period of 5 years from the date of purchase. Any damages to such components caused by mechanical abuse or improper handling or shipping will not be covered.

What will be done?

1. We will repair or replace, at our discretion any mechanical or electrical part which proves to be defective in normal usage during the warranty period so specified.
2. There will be no charge to the purchaser for parts and labor on any covered items during the initial 12 month period. Beyond this period only parts are covered in the

remaining warranty. Labor is not provided and must be paid by the customer.

3. Contact your nearest authorized service center. For the name of the nearest service center please visit our website at www.HaierAmerica.com or call 1-877-337-3639 for more information.

THIS WARRANTY COVERS APPLIANCES WITHIN THE CONTINENTAL UNITED STATES, PUERTO RICO AND CANADA. IT DOES NOT COVER THE FOLLOWING:

Damages from improper installation.

Damages in shipping.

Defects other than manufacturing.

Damage from misuse, abuse, accident, alteration, lack of proper care and maintenance or incorrect current or voltage.

Damage from other than household use.

Damage from service by other than an authorized dealer or service center.

Decorative trims

Transportation and shipping.

Labor (after the initial 12 months).

THIS LIMITED WARRANTY IS GIVEN IN LIEU OF ALL OTHER WARRANTIES, EXPRESSED OR, INCLUDING THE WARRANTIES OF MERCHANTABILITY AND FITNESS FOR A PARTICULAR PURPOSE

The remedy provided in this warranty is exclusive and is granted in lieu of all other remedies.

This warranty does not cover incidental or consequential damages, so the above limitations may not apply to you. Some States do not allow limitations on how long an implied warranty lasts, so the above limitations may not apply to you.

This warranty gives you specific legal rights, and you may have other rights, which vary, from state to state.

Haier America
New York, NY 10018

CONSIGNES DE SÉCURITÉ IMPORTANTES

Lisez toutes les instructions avant d'utiliser cet équipement. Lorsque vous utilisez cet équipement, veuillez respecter les consignes de sécurité de base suivantes:

1. Utilisez cet équipement uniquement pour l'usage auquel il est destiné comme indiqué dans ce manuel.
2. Cet équipement installé correctement et conformément instructions d'installation utilisation. Consultez la section l'installation pour de plus amples détails.
3. Cet équipement doit être branché sur une électrique d'une tension adéquate.
4. Cet équipement doit être mis à la masse (terre) afin d'éviter tout risque d'électrocution et d'incendie. Ne pas couper ni retirer la broche de masse! Si votre prise de courant murale ne peut accueillir une fiche à trois broches, veuillez faire électricien qualifié en installe une. La doit être reliée à la terre.
5. Ne débranchez jamais cet équipement en tirant sur le cordon d'alimentation. Saisissez fermement la fiche et tirez tout droit sur cette dernière.
6. Remplacez immédiatement tout cordon, toute fiche ou prise usé(e), desserré(e).
7. Afin de réduire tout risque d'électrocution et d'incendie, n'utilisez pas de rallonges ni d'adaptateurs afin de raccorder l'équipement à une source de courant.
8. Débranchez l'équipement avant de le nettoyer ou de le réparer.
9. Nous vous recommandons de contacter un technicien réparateur breveté si cet équipement tombe en panne.
10. Si vous comptez jeter votre ancien équipement, nous vous recommandons de retirer la porte et de laisser les étagères en place. Vous réduirez ainsi tout risque de danger pour les enfants.
11. Cet équipement ne doit pas être placé dans un renforcement ni encastré en aucune façon. Il a été conçu afin d'être placé seul sans l'intégrer à un espace clos.

12. Ne faites pas fonctionner cet équipement en présence de vapeurs explosives.
13. Ne jouez pas avec les commandes.
14. N'utilisez pas cet équipement à moins que toutes les cloisons soient bien en place.
15. N'utilisez pas l'équipement lorsque des pièces s'avèrent défectueuses.
16. N'utilisez pas votre équipement à des fins commerciales ou industrielles.
17. Cet équipement a été conçu afin d'être utilisé à l'intérieur et ne doit en aucun cas être utilisé à l'extérieur.
18. Afin de réduire tout risque de blessures, ne laissez pas les enfants jouer sur ou à l'intérieur de cet équipement. Il est nécessaire de surveiller attentivement les enfants lorsque vous utilisez cet équipement à proximité des enfants.
19. La porte de l'équipement doit être fermée lorsqu'il fonctionne. Ne laissez pas la porte ouverte lorsque des enfants se trouvent à proximité de la fontaine à bière.

Consignes de sécurité importantes pour le CO₂ (gaz carbonique)

1. Le gaz carbonique ou dioxyde de carbone peut être dangereux! Les bouteilles de CO₂ contiennent du gaz sous pression qui peut être dangereux si vous ne le manipulez pas correctement. Veuillez lire et comprendre toutes les consignes concernant les bouteilles de CO₂ avant de procéder à l'installation.
2. Veuillez toujours raccorder la bouteille de CO₂ à un régulateur! Le non-respect de cette consigne risque de provoquer une explosion et d'entraîner des blessures graves voire mortelles lorsque vous ouvrez la valve de la bouteille.
3. Ne raccordez jamais la bouteille de CO₂ directement sur le contenant, tonnelet, baril ou fût de bière.
4. Respectez toujours la marche à suivre lorsque vous changez de bouteille.
5. Ne jamais lancer ou laisser tomber une bouteille de CO₂.
6. Conservez toujours les bouteilles de CO₂ loin des sources de chaleur. Stockez les bouteilles de rechange dans un endroit frais (de préférence 70°F ou 21°C). Fixez solidement la bouteille en place avec une chaîne, en la plaçant droite.
7. Assurez-vous que l'endroit possède une bonne ventilation et quittez immédiatement cet endroit en cas de fuite de CO₂!

8. Vérifiez toujours la date à laquelle la bouteille a été testée par le D.O.T (Ministère des transports américain) figurant sur le col de la bouteille avant l'installation. Si cette date est antérieure à 5 ans, n'utilisez pas la bouteille. Ramenez la bouteille à votre fournisseur.
9. Ne raccordez jamais un tonnelet, fût ou autre contenant de bière à moins qu'il existe au moins deux dispositifs de sécurité au niveau du circuit de pression.

CONSERVEZ CES INSTRUCTIONS

afin de pouvoir les consulter ultérieurement

Nous vous remercions d'avoir fait l'achat de cet appareil Haier. Cette notice facile à utiliser vous aidera à utiliser au mieux votre fontaine à bière.

N'oubliez pas de noter le modèle et le numéro de série. Ces derniers se trouvent sur une étiquette au dos de l'appareil.

Numéro du modèle

Numéro de série

Date d'achat

Table des Matières

	PAGE
CONSIGNES DE SÉCURITÉ	1-3
La sécurité en général.....	1-2
La sécurité avec le CO ₂ (gaz carbonique)	2-3
DÉBALLAGE ET INVENTAIRE DES ACCESSOIRES	5
PIÈCES ET CARACTÉRISTIQUES	6
CHOISIR UN BON EMPLACEMENT	7
INSTRUCTIONS DE MONTAGE	8-11
Montage des roulettes	8
Montage du robinet de bière	8
Montage de la barre de sécurité.....	9
Montage du régulateur et de la bouteille de CO ₂	9
Mise en perce du fût de bière (baril à valve unique)	10
Consigne de sécurité importante pour le tirage de la bière.....	10
UTILISATION DE LA FONTAINE À BIÈRE	11-13
Servir la bière	11
Comprendre la température de la bière	12
Comprendre la commande de réglage de température	12
Dégivrage automatique	12
Bruits de fonctionnement normaux	13
GUIDE POUR SERVIR LA BIÈRE	13-14
Conseils pour tirer la bière.....	13
Équilence pour 1/2 fût de bière	13
Conseils pour nettoyer les verres de bière	14
2 tests faciles pour nettoyer les verres à bière	14
CONVERTIR LA FONTAINE À BIÈRE EN RÉFRIGÉRATEUR	14-15
CONSEILS POUR FAIRE DES ÉCONOMIES D'ÉNERGIE	15
ENTRETIEN ET NETTOYAGE DE LA FONTAINE DE BIÈRE	16-17
Montage du kit de nettoyage	16
Nettoyage et entretien général	17
GUIDE DE DÉPANNAGE	18-22
GARANTIE	23

Déballage et Inventaire des Accessoires

1. Retirez tous les matériaux d'emballage y compris le socle en mousse et le ruban adhésif retenant les accessoires à l'intérieur et à l'extérieur. Sortez l'équipement en le glissant et retirez le plastique ou la mousse de protection protégeant le compresseur lors du transport.
2. Inspectez l'équipement et retirez tout matériau d'emballage restant, ruban adhésif ou documentation avant de mettre sous tension la fontaine à bière.

Remarque: Placez la fontaine à bière debout afin qu'elle soit droite pendant 2 heures avant de la mettre en marche.

Vérifiez tous les accessoires fournis avec le carton et assurez-vous que toutes les pièces sont en bon état. Reportez-vous à la liste ci-dessous. Si un des accessoires est en mauvais état ou s'avère manquant, veuillez contacter notre service à la clientèle.

Notre numéro d'assistance sans frais est le 1-877-337-3639.

1 robinet de bière avec:

1 joint pour le robinet de bière

1 rondelle pour le raccordement du manchon du fût de bière

1 régulateur de CO₂

1 cylindre de CO₂

1 manchon de raccordement pour fût de bière

1 kit de nettoyage

1 conduite pour CO₂

2 colliers de serrage pour tuyaux

1 étrier de fixation pour bouteille de CO₂

1 barre de protection

1 bac ramasse-gouttes

4 roulettes

1 clé

4 vis cruciforme Phillips

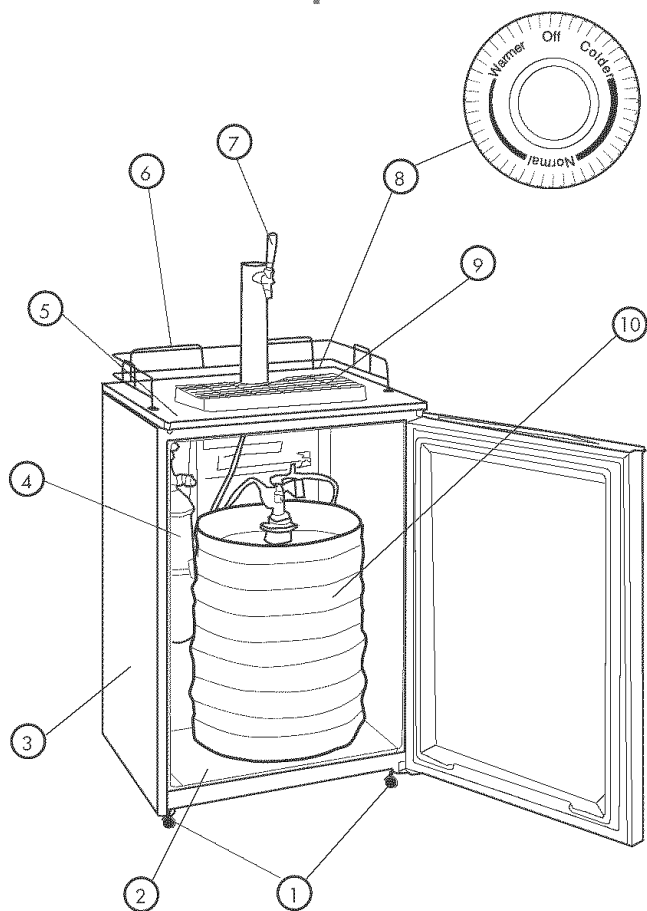
8 petites vis cruciforme Phillips

2 vis de fixation

2 étagères métalliques

4 chevilles de support

Pièces et Caractéristiques



- | | |
|---|--|
| 1. Roulettes avant | 6. Barre |
| 2. Support intérieur du sol pour fût de bière | 7. Robinet de bière en chrome |
| 3. Habillage/caisson | 8. Thermostat réglable (situé à l'arrière) |
| 4. Bouteille de CO2 | 9. Ramasse-gouttes |
| 5. Surface de travail | 10. Fût de bière (non fourni. Montré ici à titre d'illustration uniquement.) |

Choisir un bon Emplacement

- Afin d'être certain que votre fontaine à bière fonctionne à son rendement maximum, montez-la dans un emplacement présentant une bonne circulation d'air, des points de raccordement adéquats pour la plomberie et l'électricité.
- Choisissez l'emplacement où vous comptez monter la fontaine à bière en veillant qu'il soit loin de toute source de chaleur et qu'il ne soit pas en plein soleil.
- Cette fontaine à bière a été conçue afin d'être **utilisée à l'intérieur** uniquement et ne doit en aucun cas être utilisée à l'extérieur en plein air.
- Cette fontaine à bière ne doit pas être placée dans un renforcement ni encastrée en aucune façon. Elle a été conçue afin d'être placée seule sans l'intégrer à un quelconque système.
- Les dimensions suivantes sont les distances de dégagement et de sécurité autour de la fontaine à bière:

Côtés3/4 po. (19 mm)

Dessus1 po. (25 mm)

Derrière1 po. (25 mm)

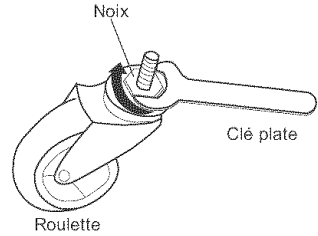
Instructions de Montage

Veillez lire attentivement et comprendre toutes les instructions d'installation de la fontaine à bière. Si après avoir terminé le montage, vous n'êtes pas certain que la fontaine à bière a été correctement installée, nous vous recommandons de contacter un installateur qualifié.

Montage des Roulettes

Suivez les étapes suivantes pour monter les roues.

1. Videz complètement l'intérieur de la caisse et placez la fontaine à bière à plat, sur le côté. Nous vous conseillons de placer un morceau de carton ou de chiffon sous le caisson afin d'éviter de rayer ce dernier.
2. Introduisez les roulettes dans les trous des coins inférieurs du caisson. Serrez chaque roue en tournant l'écrou dans le sens des aiguilles d'une montre avec la clé fournie.
3. Après avoir serré les quatre roues, placez le caisson debout.



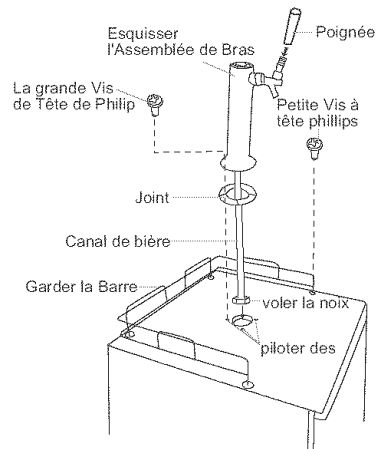
Montage du Robinet de Bière

Suivez les étapes ci-dessous pour monter le robinet de bière.

1. Tout d'abord, retirez le bouchon du caisson situé sur la surface de travail. Saisissez le bouchon, tournez-le puis tirez vers le haut.

Remarque: Rangez ce bouchon dans un endroit sûr car vous en aurez besoin afin de convertir la fontaine à bière réfrigérateur.

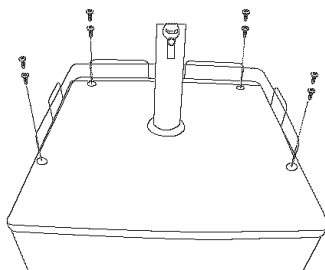
2. Placez le joint sur l'écrou à oreilles en bas du robinet de bière.
3. Faites passer le tube de bière dans le joint jusqu'au bas du robinet de bière.
4. Poussez l'écrou à oreilles et le conduit de bière dans le trou de la surface de travail jusqu'à ce que le robinet repose sur le dessus du caisson.
5. Alignez les trous du robinet de bière sur les trous du joint et de guidage situés sur le dessus du caisson.
6. Fixez le robinet de bière au caisson en introduisant quatre grandes vis cruciformes Phillips dans les trous puis serrez.



Montage de la Barre de Sécurité

Suivez les étapes ci-dessous afin d'installer la barre de sécurité sur la surface de travail.

1. Positionnez la barre sur le dessus du caisson.
2. Alignez tous les trous de la barre sur ceux du dessus du caisson.
3. Fixez la barre sur le caisson en utilisant huit petites vis cruciforme Phillips.

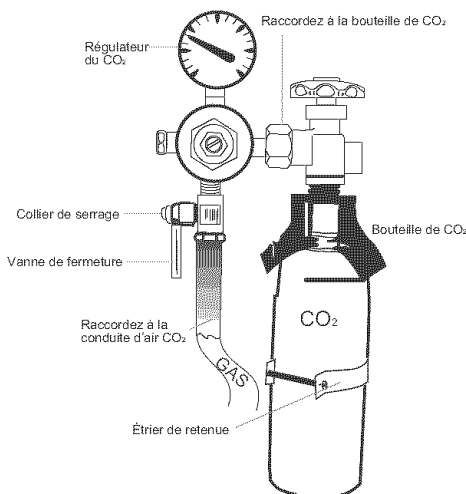


Installation du régulateur de CO₂ et de la bouteille de CO₂

Suivez les étapes ci-dessous afin d'installer le régulateur de CO₂ et la bouteille de CO₂ en toute sécurité. Veuillez lire et comprendre les instructions suivantes concernant les bouteilles de CO₂ avant de procéder à l'installation.

Remarque: Votre bouteille de CO₂ est expédiée vide afin d'éviter tout risque d'accident lors du transport. Lorsque vous achetez le premier fût de bière, demandez à ce votre revendeur remplisse la bouteille de CO₂.

1. Raccordez la conduite d'air du CO₂ au régulateur en branchant un bout de la conduite d'air rouge au manchon de raccordement pour tuyau sur le régulateur de CO₂. Fixez le tuyau à l'aide d'un des deux serre-câbles noirs en plastique pression autobloquants. Utilisez les pinces pour fixer fermement serre-câble afin qu'il n'y ait pas de fuite.
2. Raccordez le régulateur de CO₂ à la bouteille de CO₂ en vissant l'écrou du régulateur sur la valve de la bouteille et en serrant avec une clé réglable.
3. Retirez l'écrou du boulon de retenue. Utilisez deux vis de fixation afin de fixer l'étrier de retenue sur les trous au dos de la bouteille.
4. Glissez la bouteille dans l'étrier de retenue et placez l'ensemble caisson. Ensuite, serrez l'écrou de retenue.



AVERTISSEMENT!

Le CO₂ peut être dangereux ! Les bouteilles de CO₂ contiennent un gaz à haute pression qui peut être dangereux si ce dernier n'est pas manipulé correctement. Ces bouteilles doivent être manipulées avec précaution.

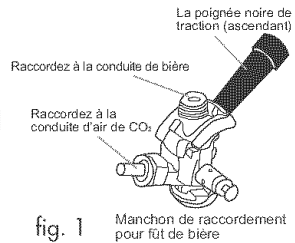
Mise en perce du fût de bière (baril à valve unique)

Votre fontaine à bière est fournie avec un robinet American Sankey Tap fabriqué par Banner Equipment Company. Cette marque est la plus utilisée aux États-Unis. Avant d'acheter un fût de bière, vérifiez la fontaine à bière afin de vous assurer qu'elle peut accueillir un robinet Sankey Tap.

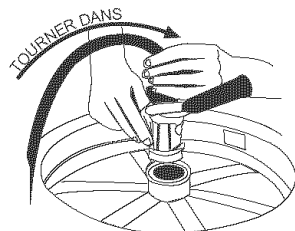
Remarque: Pour la bière pression européenne, la pose d'un robinet Sankey de calibre européen est obligatoire. Veuillez contacter Banner Equipment Company en composant sans frais le (800) 621-4625 pour plus d'informations.

Suivez les étapes ci-dessous pour la mise en perce du fût de bière:

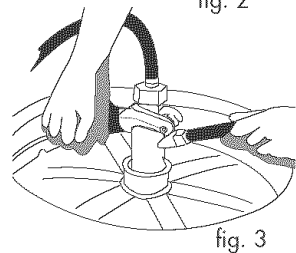
1. Assurez-vous que la poignée noire du manchon de raccordement est fermée (vers le haut) avant de le brancher sur le dessus du fût de bière. Introduisez le manchon de raccordement dans le col de verrouillage du fût de bière et tournez dans le sens des aiguilles d'une montre 1/4 de tour afin de le verrouiller. (voir figure 1)



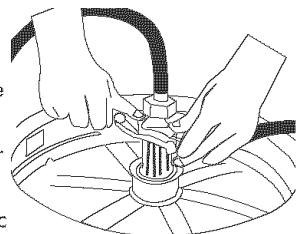
2. Branchez l'extrémité ouverte de la conduite d'air rouge au raccord destiné au tuyau situé sur le manchon de raccordement. Ensuite, fixez le tuyau autobloquant à pression afin de vous assurer qu'il ne présente aucune fuite. Utilisez les pinces pour fixer fermement le serre-câble afin qu'il n'y ait pas de fuite. (voir figure 2)



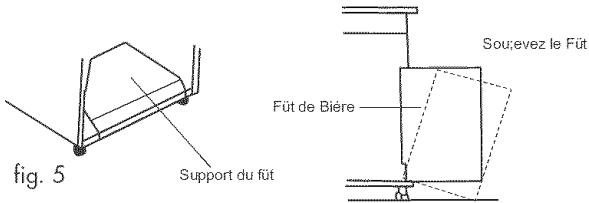
3. Il est très important que la rondelle noire en caoutchouc soit installée à l'intérieur de l'écrou à oreilles avant de raccorder la conduite de bière au manchon de raccordement. Retirez la capuchon de protection noir en caoutchouc situé sur le dessus du manchon de raccordement et vissez l'écrou à oreilles avec la rondelle en caoutchouc sur le manchon de raccordement. Serrez fermement à la main. (voir figure 3)



4. Assurez-vous que le robinet de bière est fermé (la poignée du robinet est orientée vers l'arrière) avant de brancher le manchon de raccordement et le fût de bière. Pour effectuer le raccordement, tirez sur la poignée du manchon de raccordement pour la sortir puis appuyez dessus jusqu'à ce que le manchon se bloque en place. La poignée devrait émettre un déclic lorsqu'elle se bloque en place. (voir figure 4)



5. En faisant preuve d'une grande précaution, penchez le fût de bière afin que le bord du fût repose sur le support en acier inoxydable du fond du caisson. Glissez le fût lentement en place, en veillant à le correctement. (voir figure 5)



Consigne de Sécurité Importante pour le Tirage de la Bière

Si vous utilisez le CO₂ pour tirer la bière pression, le système devra être correctement protégé contre toute accumulation excessive de pression. Ceci peut être effectué en montant au minimum deux dispositifs de sécurité capables de gérer toute surpression au sein du circuit.

Ces dispositifs de sécurité doivent être installés dans les emplacements suivants:

- A. Sur le régulateur de CO₂ ou immédiatement en aval de ce dernier.
- B. Sur le dispositif de tirage lui-même.
- C. Sur la conduite du circuit de pression.

Remarque: Les emplacements A et B indiqués ci-dessus, sont préférables. Si possible, ces dispositifs doivent être intégrés au régulateur de CO₂ et au dispositif de tirage afin qu'il ne soit pas possible de les retirer ou de faire une dérivation afin d'éviter de les employer.

Utilisation de la Fontaine à Bière

Servir la Bière

Suivez les étapes ci-dessous pour servir la bière.

1. Assurez-vous que la fontaine à bière est branchée sur une prise de courant alternatif reliée à la terre de 120 Volts, 60 Hz et de 15 ampères.
2. Placez le ramasse-gouttes sous le robinet de bière.
3. Ouvrez le robinet de bière en tirant le manche vers vous franchement et complètement afin de tirer la bière.

Remarque: Si pour une raison quelconque la bière ne sort pas, référez-vous au guide de dépannage de la page 17.

4. Augmentez la pression si la bière sort du robinet trop lentement. À la pression adéquate et à la bonne température, un verre de 10 onces liquides (29 ml) devrait se remplir en 4 secondes.

5. Tenez le verre à un angle de 45°. Lorsque le verre est plein aux 2/3, commencez à redresser le verre. La mousse devrait être fine et compacte et le col de mousse devrait mesurer 1,9 cm à 2,5 cm d'épaisseur.

Remarque: Il est normal de voir apparaître de la mousse de condensation sur la surface extérieure du robinet. Ceci est dû à la différence de température entre la bière froide et la surface intérieure du robinet lorsque la bière parcourt la conduite.

Comprendre la Température de la Bière

• La température recommandée pour servir la bière est entre 34°F (1°C) et 38°F (3°C). Pour maintenir cette température dans une salle présentant une température moyenne de 70°F (21°C), réglez le thermostat sur "Normal".

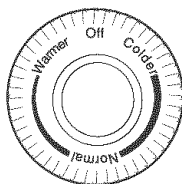
Remarque: En été, lorsque la température extérieure est plus chaude, nous vous recommandons de régler la commande sur une température inférieure en fonction des conditions.

- Choisissez et maintenez la température adéquate à l'intérieur du réfrigérateur. Ceci est indispensable afin de conserver la fraîcheur de la bière.
- La meilleure température pour stocker un fût de bière est entre 38° (3°C) et 40°F (4°C).
- Toute température excessivement chaude ou froide à l'intérieur du réfrigérateur risque de nuire au goût de la bière.

Remarque: Une bière aigre peut résulter d'une seconde fermentation au-dessus de 45°F (7°C).

Comprendre le Réglage de la Commande de Température

La commande de température se trouve au dos de l'unité dans le coin inférieur gauche. Après avoir mis en marche l'unité, vous devrez attendre 24 heures pour que cette dernière refroidisse suffisamment. Vous pourrez ensuite régler la commande de température en fonction de vos besoins et préférences.



Dégivrage Automatique

Il est inutile de dégivrer la fontaine à bière / réfrigérateur. Le givre apparaissant sur l'évaporateur est automatiquement éliminé lorsque le compresseur s'éteint. L'eau du dégivrage aboutira dans le bac de récupération situé à l'arrière de l'unité et s'évaporerait.

Connaître les Bruits de Fonctionnement Normaux

- Les bruits de gargouillis comme de l'eau qui bout ainsi que les légères vibrations sonores peuvent se faire entendre lorsque le liquide réfrigérant circule dans les serpentins de refroidissement.
- Des cliquetis et bruits de grésillements lors du cycle de dégivrage.
- Les bruits d'eau qui goutte lorsque la glace fond à partir de l'évaporateur s'écoule dans le bac de récupération d'eau lors du cycle de dégivrage automatique.
- Les craquements résultant de l'expansion et ou de la contraction des serpentins de refroidissement lors du cycle de dégivrage automatique.

Guide pour Servir la Bière

Conseils pour tirer la bière

Les conseils suivants vous aideront à servir une bière parfaite.

Pour servir une bière à partir du robinet de la même qualité que celle tirée directement des cuves de l'usine, vérifiez les points suivants:

- Propreté
- Température
- Pression
- Utilisez le CO2 à chaque fois que c'est possible.

Équivalence Pour 1/2 fût de Bière

Cette fontaine à bière peut accueillir 1/2 baril (mini-fût). Pour faciliter les choses, le tableau suivant indique les équivalences en nombre de verres.

<u>Nombre de Verres</u>	<u>Taille du Verre</u>	
192	12 oz.	1/2 Fût = 15 1/2 gallons (58,6 litres) = 1984 onces liquides (58,6 litres)
236	10 oz.	
264	9 oz.	
290	8 oz.	1/2 Baril = 6 3/4 caisses de bouteilles de 12 onces (35 ml)
353	7 oz.	
417	6 oz.	

Conseils pour Nettoyer les Verres de Bière

Pour une fraîcheur optimale, il est important de servir la bière dans des verres propres. Pour faciliter les choses, les conseils suivants vous expliquent comment nettoyer correctement les verres avant de servir la bière.

- Ne lavez pas les verres de bière en même temps que les verres ayant contenu du lait ou toute autre substance grasse.
- Toute accumulation excessive d'agent antiseptique et de germicide dans laissera une pellicule grasse sur les verres et risque d'éventer la bière et de rendre plate.
- Lavez les verres attentivement en utilisant un bon liquide-vaisselle afin de retirer toute trace de corps gras (par ex: rouge à lèvres, etc.)
- N'utilisez pas de savon.
- N'essuyez pas les verres. Laissez les verres sécher à l'air libre en les plaçant sur un égouttoir ou une tôle ondulée.
- Rincez les verres avec de l'eau propre juste avant de servir la bière. Il est recommandé de servir la bière dans un verre mouillé.

Deux tests faciles pour nettoyer les verres de bière

1. Lavez les verres en utilisant votre méthode habituelle. Trempez toujours le pied du verre en premier dans l'eau propre. Videz le verre. Si des gouttes d'eau collent au verre ou si des traces apparaissent sur le verre lorsque vous videz son contenu, le verre n'a pas été lavé correctement. Un verre propre devrait sécher sans laisser de traces.
2. Lavez à nouveau le verre en utilisant votre méthode habituelle. Versez l'eau contenu dans le verre et saupoudrez du sel dans le verre mouillé. Si le sel ne colle pas à toute la paroi intérieure du verre et des endroits clairs non-salés demeurent, le verre n'est pas propre.

Convertir la Fontaine à Bière en Réfrigérateur

Pour faciliter les choses, cette fontaine à bière peut être transformée en réfrigérateur. Suivez simplement les étapes ci-dessous pour transformer rapidement et facilement l'unité.

Remarque: Lorsque vous utilisez l'unité en tant que réfrigérateur, il est déconseillé d'utiliser des roulettes car les articles à l'intérieur du réfrigérateur risquent de tomber des étagères si vous déplacez l'unité.

1. Fermez la commande principale de la bouteille de CO₂.
2. Fermez le raccordement entre le fût de bière et le manchon de raccordement en tirant et en relevant la poignée du manchon de raccordement afin de la mettre droite.
3. Débranchez la conduite de bière et la conduite d'air du CO₂ du manchon de raccordement.

4. Retirez le fût de bière du caisson.
5. Débranchez la conduite d'air de la bouteille de CO₂.
6. Retirez la bouteille de CO₂ du caisson.
7. Retirez la colonne de bière du caisson en saisissant le centre de la colonne. Tournez dans le sens des aiguilles d'une montre et soulevez.
8. Tirez sur la conduite de bière afin de la faire passer par le dessus du caisson.
9. Installez le bouchon du caisson sur la surface de travail.
10. Placez l'unité à terre, sur sa partie latérale. Nous vous recommandons de placer un morceau de carton ou de chiffon sous le caisson afin d'éviter de rayer ou d'endommager ce dernier. Retirez les roulettes et montez les pieds de mise à niveau.
11. Montez les deux étagères:
 - A. Introduisez une extrémité de chacune des chevilles de support dans les trous du côté droit du caisson.
 - B. Placez un côté de l'étagère dans la paroi gauche de l'unité et laissez reposer l'autre côté de l'étagère sur les chevilles de la paroi droite de l'unité.
 - C. Répétez l'opération avec la deuxième étagère.
12. Le transformation est à présent terminée. Rangez tous les accessoires que vous venez de retirer dans un endroit sûr afin de pouvoir les réutiliser plus tard.
13. Réglez la température de l'unité comme il convient afin de stocker des aliments.

Conseils pour Faire des économies d'énergie

Suivez les conseils d'économies d'énergie ci-dessous pour un rendement optimal.

- Ouvrez et fermez la porte le moins possible lors des jours chauds et humides. Lorsque vous ouvrez la porte, fermez-la rapidement afin d'éviter que l'air chaud pénètre à l'intérieur.
- Vérifiez régulièrement que le périmètre autour de l'unité présente une bonne circulation d'air afin que cette dernière soit bien ventilée.
- Veillez à ce que le joint de porte demeure propre et souple afin que le joint assure une bonne étanchéité. Si le joint de la porte n'est pas complètement étanche, l'air chaud extérieur risquera de pénétrer facilement à l'intérieur de l'unité. Le compresseur devra par conséquent fonctionner en continu afin que l'unité demeure froide ce qui entraînera une forte consommation d'énergie.

Remarque: Remplacez tout joint de porte endommagé afin de restaurer l'efficacité énergétique de l'équipement.

- NE PAS ranger d'aliments chauds dans le réfrigérateur. Laissez la nourriture refroidir avant de la placer au réfrigérateur.

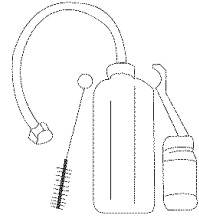
Entretien et Nettoyage de la Fontaine à Bière

Montage du kit de nettoyage

Veillez lire et comprendre les instructions suivantes avant d'installer le kit de nettoyage.

1. Mélangez un gallon (3,78 litres) d'eau chaude et une cuillère à soupe de nettoyant dans un seau.

Remarque: N'utilisez pas de lessive de qualité inférieure, de savon ni d'eau chaude.



2. Retirez la capuchon du nettoyant. Remplissez le flacon et replacez le capuchon. Laissez le reste de la solution dans le seau.
3. Fermez le robinet d'air du régulateur ou la valve de la bouteille de CO₂.
4. Débranchez le robinet du fût de bière. Ensuite, débranchez la conduite de bière du robinet en tournant l'écrou dans le sens inverse à celui des aiguilles d'une montre. Placez le robinet au bout du tuyau et dans le seau.
5. Retirez le robinet de la colonne en utilisant la clé qui est fournie et fixez la pièce d'emmanchement sur la bouteille de nettoyage comme il se doit.

Remarque: Assurez-vous qu'il existe une rondelle au dos l'emmanchement.

6. Tenez le flacon de nettoyage à l'envers jusqu'à ce que la solution coule dans le seau comme illustré. Voir figure ci-dessus.
7. Remplissez le flacon avec de l'eau propre et répétez l'opération jusqu'à ce que l'eau qui s'écoule soit claire.
8. Rincez le robinet dans le seau à l'eau froide.
9. Retirez l'emmanchement de la colonne et remettez le robinet en place. Assurez-vous que la rondelle se trouve au dos du robinet.
10. Rebranchez le tuyau de bière sur le robinet et fixez le robinet au fût de bière.

Remarque: Les conduites de bière doivent être rincées après chaque fin de fût.

Nettoyage et Entretien Général

Nettoyage de l'habillage intérieur et extérieur

1. Préparez une solution de 3 à 4 cuillères de bicarbonate de soude avec de l'eau tiède. Utilisez une éponge ou un chiffon humidifié de solution afin d'essuyer les surfaces intérieures et extérieures du caisson.
2. Rincez avec de l'eau propre tiède et séchez avec un chiffon doux.

Remarque: N'utilisez pas de produits chimiques puissants, de produits de nettoyage abrasifs, de l'eau de Javel, de la lessive au chlore, des détergents concentrés, de solvants ou des tampons récurateurs. Certains de ces produits risquent de dissoudre, d'endommager et de décolorer le fini de l'habillage.

Nettoyage du joint de porte

1. Nettoyez le joint de porte avec un chiffon humide tous les trois mois. Le joint doit demeurer propre et souple afin d'assurer l'étanchéité de la porte.
2. Appliquez une fine couche de vaseline (pétrolatum) sur le côté du joint où se trouve les charnières afin que ce dernier demeure souple et assure une bonne étanchéité.

AVERTISSEMENT!

Pour éviter tout risque d'électrocution, débranchez toujours votre fontaine à bière avant de la nettoyer. Le non-respect de cette consigne risque d'entraîner des blessures graves voire mortelles.

Nettoyage du dos de la fontaine

1. Nous vous conseillons de nettoyer l'arrière du réfrigérateur au moins deux fois par an.

Remarque: Certains environnements d'exploitation risquent de devoir être nettoyés plus fréquemment.

2. Utilisez un aspirateur ou une brosse afin de nettoyer les serpentins..

ATTENTION!

Avant d'utiliser des produits de nettoyage, veillez à toujours lire et respecter les instructions et les mises en garde du fabricant afin d'éviter tout risque de blessure et de dommages matériels.

Guide de Dépannage

Lorsque vous tirez la bière dans un verre, si vous trouvez que la bière est trouble, plate, aigre, incontrôlable, pétillante ou a un faux-goût, reportez-vous aux conseils suivants.

État de la bière: la bière est trouble

La bière dans le verre paraît trouble, elle n'est pas claire.

Cause no.1

Toute température excessivement basse risque de rendre la bière trouble, surtout lorsque cette dernière demeure dans un serpentin froid pendant longue période..

Mesure Corrective

- Nettoyez complètement les conduites et augmentez légèrement la température.

Cause no.2

Le robinet de bière n'était pas complètement ouvert.

Mesure Corrective

- Ouvrez rapidement et complètement le robinet.
- Remplacez toute rondelle usée ainsi que les pièces à l'intérieur du robinet lorsque cela s'avère nécessaire afin que le robinet puisse s'ouvrir complètement.

État de la bière: la bière est plate

La bière n'a pas son bon goût habituel, son goût n'est pas celui d'une bière qui provient directement de la brasserie.

Cause no.1

Le verre est sale et gras..

Mesure Corrective

- Ne lavez pas les verres de bières avec d'autres verres car ils peuvent avoir contenu du lait ou toute autre substance grasse.
- Toute accumulation excessive d'agent antiseptique et de germicide dans l'eau laissera une pellicule grasse sur les verres et risque d'éventer la bière et de la rendre plate.
- Il est préférable de nettoyer les verres au jet de vapeur (ou dans une autoclave à vapeur) ou de stériliser les verres lorsque la réglementation le permet.
- Lavez les verres attentivement en utilisant un bon liquide-vaisselle afin de retirer toute trace de matière grasse (par ex: rouge à lèvres, etc.)
- N'utilisez pas de savon.
- N'essuyez pas les verres. Laissez les verres sécher à l'air libre en les plaçant sur un égouttoir ou une tôle ondulée.
- Rincez les verres avec de l'eau propre juste avant de servir la bière. Il est recommandé de servir la bière dans un verre mouillé.

Cause no.2

La bière n'a pas été tirée correctement dans le verre.

Mesure Corrective

- Ouvrez rapidement et complètement le robinet.
- La mousse devrait être fine et compacte et le col de mousse devrait mesurer 1,9 cm à 2,5 cm d'épaisseur. Une bière tirée sans chapeau de mousse donne l'impression que cette dernière est plate.

Cause no.3

Il n'y a pas suffisamment de pression.

Mesure Corrective

- Augmentez la pression si la bière coule trop lentement. Le flux de bière devrait pouvoir remplir un verre de 29 ml en 4 secondes. (environ 23 ml de bière).
- Vérifiez la source de pression afin de déterminer si la conduite d'air est bouchée ou obstruée.
- Remplacez toute source de pression trop lente ou le régulateur de CO₂ et le manomètre.
- La pression de la bouteille doit toujours être supérieure à celle utilisée avec le fût de bière.
- Mettez toujours le fût sous pression avant de tirer la bière.

État de la bière: la mousse se détache

La mousse est caractérisée par des grosses bulles semblables à des bulles de savon et elle tombe rapidement.

Cause no.1

Ce cas est généralement semblable à celui de la bière plate. Voir les raisons et causes de la bière plate.

État de la bière: la bière a un faux-goût

La bière peut avoir un goût amer ou fade. Elle peut également avoir un goût huileux ou un mauvaise odeur et un goût déplaisant.

Cause no.1

Le robinet n'a pas été nettoyé correctement.

Mesure Corrective

- Brossez et nettoyez correctement le robinet. Récurez-le en utilisant un détergent, puis rincez-le à l'eau claire.

Cause no.2

La conduite d'air est contaminée.

Mesure Corrective

- La conduite d'air doit être examinée. Si elle est contaminée, elle doit être impérativement remplacée.

Cause no.3

La conduite d'air est d'un type erroné.

Mesure Corrective

- Un tuyau en caoutchouc absorbera et conservera les odeurs. Utilisez un tuyau en plastique ou en cuivre.

Recommandations Générales en cas de Faux-goût:

Les conduites de bière doivent être rincées après chaque fin de fût. Veillez à ce que le périmètre autour de la fontaine à bière demeure propre. La fumée, les odeurs de cuisine et les désinfectants nuiront au goût et à la saveur de la bière. Ces conditions peuvent être causées par la source d'air ou par le contact direct avec le verre lorsque vous servez la bière.

État de la bière: la bière est aigre

La bière a un fort goût de levure et une forte odeur de levure ou de mois.

Cause no.1

Les fûts n'ont pas été transportés correctement. La bière qui est livrée sur un camion ouvert pendant les chauds mois d'été risque de provoquer seconde fermentation.

Mesure Corrective

- Si possible, faites-vous livrer des fûts de bière par camion frigorifique fermé. Si la livraison est effectuée par un camion ouvert, couvrez les fûts de bière avec une bâche afin de les protéger contre la chaleur de l'été.

État de la bière: bière incontrôlable.

La bière est soit constituée exclusivement de mousse, soit presque uniquement de mousse avec très peu de liquide.

Cause no.1

La bière a été mal tirée dans le verre.

Mesure Corrective

- Ouverte rapidement et complètement le robinet.
- La mousse devrait être fine et compacte et le col de mousse devrait mesurer 1,9 cm à 2,5 cm d'épaisseur.

Cause no.2

Le robinet est bouché par des résidus de levure ce qui est souvent dû au fait que le robinet n'est pas réfrigéré. Les pièces du robinet et les rondelles sont usées.

Mesure Corrective

- Assurez-vous que les conduites allant du fût de bière au robinet ne sont pas pliées ni endommagées et remplacez-les si nécessaire.
- Vérifiez que les rondelles du manchon de raccordement situées derrière le robinet ne s'éfilochent pas car cela risquerait d'obstruer le robinet.

Cause no.3

Cette bière a été stockée dans un endroit qui n'est pas suffisamment froid et la bière est à présent tiède.

Mesure Corrective

- Conservez les fûts de bière dans un local réfrigéré d'une température de 40°F (4.4°C) toute l'année!

Cause no.4

La pression est trop forte.

Mesure Corrective

- Tout d'abord, vérifiez la source de pression afin de vous assurer qu'elle fonctionne. Ensuite, réglez la pression afin qu'elle corresponde à la taille et à l'équilibre du circuit. Le débit de bière devrait pouvoir remplir un verre de 29 ml en 4 secondes à la bonne température.

Cause no.5

Trop de CO₂.

Mesure Corrective

- Réglez la pression de Co₂ le plus bas possible. Cependant, la pression doit être légèrement supérieure à celle de la pression interne de la bière. Ne dépassez pas une pression de 18 livres (8 kg). La pression adéquate devrait être entre 10 et 12 psi/lb.
- Plus la bière est froide et plus la pression de Co₂ est forte, et par conséquent plus vite la bière absorbera le Co₂. Cette gazéification excessive de la bière donnera une bière incontrôlable.
- Vérifiez régulièrement les régulateurs de pression afin de vous assurer que la pression de fonctionnement est constante.

Cause no.6

Il n'y a pas suffisamment de pression ou pas du tout.

Mesure Corrective

- Vérifiez que les ouvertures d'aérations ne sont pas endommagées.
- Ouvrez toujours la pression avant de servir une bière.

Cause no.7

Vous venez d'utiliser un vieux fût de bière qui n'a pas été stocké à une température suffisamment froide.

Mesure Corrective

- Si vous avez laissé la bière reposer trop longtemps dans un local à une température supérieure à 45°F (7°C), la bière risque de fermenter à nouveau. Conservez les fûts de bière dans un local réfrigéré à 40°F (4.4°C) toute l'année.

État de la bière: bière de fin de fût.

La bière est facile à tirer au début du fût. Vers la fin du fût, est devient plate. Ceci arrivera plus souvent si la consommation de bière est faible.

Cause no.1

Lorsque l'air est utilisé en tant que source de pression, l'air remplace le CO₂ dans la bière et la rend plate. Ce problème n'est pas toujours évident lorsque la bière est tirée rapidement.

Mesure Corrective

- À chaque fois que cela est possible, utilisez le CO₂ en tant que source de pression.

Garantie Limitée

Dans le Service de Maison

Éléments sous garantie et durée de la garantie:

Cette garantie couvre tous les défauts de main-d'œuvre et de matériaux pour une période de:

12 mois pour la main d'œuvre
12 mois pour les pièces
5 ans pour le système d'étanchéité

La garantie prend effet le jour de l'achat de l'article. Le ticket de caisse d'origine doit être présenté au centre de réparation agréé pour toute réparation sous garantie.

EXCEPTIONS: Garantie pour usage commercial ou location.
90 jours pour la main d'œuvre (service en atelier uniquement)
90 jours pour les pièces
Aucune autre garantie n'est applicable

Couverture.

1. Les pièces électriques et mécaniques servant au fonctionnement de l'appareil, pour une période de 12 mois. Ceci comprend l'ensemble des pièces, à l'exception de la finition et des garnitures.
2. Les composants du système d'étanchéité, tels que le compresseur hermétique, le condenseur et l'évaporateur, contre tous défauts de fabrication, pour une période de 5 ans à compter de la date d'achat. Tout dommage concernant ces composants et résultant d'un abus d'ordre mécanique, d'une utilisation incorrecte, ou de méthodes d'expédition inadéquates, ne sera pas compris dans la garantie.

Réparations qui seront effectuées:

1. Nous nous engageons à réparer ou remplacer, à notre discrétion, toute pièce électrique ou mécanique s'avérant défectueuse dans des conditions normales d'utilisation, au cours de la période de garantie spécifiée.
2. L'acheteur ne subira aucun frais pour les pièces et la main-d'œuvre couvertes par la garantie, au cours de la première période de 12 mois. Au-delà de cette période, seules les

pièces seront couvertes par la durée restante de la garantie. La main-d'œuvre n'est pas pourvue et est à la charge du client.

3. Contacter le centre de réparations agréé le plus proche. Pour obtenir le nom et adresse du centre le plus proche, appeler le 1-877-337-3639

LES APPAREILS SONT COUVERTS PAR LA GARANTIE SUR LE TERRITOIRE CONTINENTAL DES ETATS-UNIS, À PUERTO RICO ET AU CANADA:

Les dommages résultant d'une installation incorrecte. Les dommages survenus pendant le transport. Les défauts ne résultant pas de la fabrication. Les dommages résultant d'un usage incorrect ou abusif, d'un accident, de modifications, d'un manque d'entretien ou de maintenance, ou d'une tension incorrecte. Les dommages résultant d'un usage autre que l'usage ménager. Les dommages résultant d'un entretien ou de réparations par quiconque autre qu'un distributeur ou centre de réparations agréé. Garnitures décoratives ou ampoules pouvant être remplacées. Transport et Frais d'envoi. Main d'œuvre (après la période initiale de 12 mois)

CETTE GARANTIE LIMITÉE REMPLACE TOUTE AUTRE GARANTIE EXPRÉSSE OU IMPLICITE, Y COMPRIS LES GARANTIES DE VALEUR MARCHANDE OU D'ADÉQUATION A UN USAGE PRÉCIS

Le recours offert dans cette garantie est exclusif et est accordé à l'exclusion de tout autre.

La garantie ne couvrant pas les dommages directs et indirects, les limitations ci-dessus peuvent ne pas s'appliquer à tous les cas. Certains états ne permettant pas la limitation de la durée des garanties implicites, les limitations ci-dessus peuvent ne pas s'appliquer à tous les cas.

Cette garantie confère à l'acheteur des droits spécifiques et celui-ci peut bénéficier d'autres droits qui varient selon les états.

Haier America
 New York, NY 10018

PRECAUCIONES DE SEGURIDAD

Lea todas las instrucciones antes de utilizar este producto. Siempre tenga en cuenta las precauciones básicas seguridad cuando utilice el dispenser, incluyendo las siguientes:

1. Utilice éste producto sólo para su uso entendido como se describe este manual.
2. Este artefacto debe estar correctamente instalado de acuerdo a las instrucciones provistas por este manual antes de utilizarse. Vea la sección de Instalación para mayor detalle.
3. Este artefacto debe ser conectado a la toma de corriente adecuada con el adecuado voltage.
4. Debe realizarse la conexión a tierra para reducir el riesgo de shock eléctrico y fuego. No corte o retire el cable de la conexión a tierra!! Si usted no posee una entrada o toma para 3 patas llame a un electricista para que haga la instalación adecuada. La toma de corriente de la pared debe estar conectada a tierra.
5. Nunca desenchufe la unidad tirando del cable. Siempre agarre el enchufe firmemente y retire hacia fuera.
6. Inmediatamente reemplace los cables pelados o desgastados, enchufe flojo o toma de corriente floja.
7. Para reducir el riesgo de shock eléctrico no utilice alargues o adaptadores para conectar la unidad a una fuente de energía.
8. Desenchufe siempre antes de la limpieza o de reparación.
9. Sugerimos que un técnico especializado realice el service de la unidad en caso de que el producto lo requiera.
10. En caso de que estuviese desechando el artefacto viejo recomendamos que retire la puerta del mismo y deje los estantes en el lugar. Esto reduce el riesgo de daños en presencia de niños.
11. Este artefacto no debe instalarse o ubicarse en un lugar o gabinete cerrado. Está diseñado solamente para la instalación en lugares libres.
12. No opere esta unidad en presencia de gases explosivos.
13. No fuerze los controles.
14. No opere la unidad a menos que todos los cerramientos y paneles estén en su lugar.
15. No opere esta unidad cuando haya partes rotas o que falten.

16. No utilice para uso comercial.
17. Este artefacto está diseñado para uso interno solamente y no debe operarse al aire libre.
18. Para reducir el riesgo a lesiones no permita que los chicos jueguen con este artefacto. Se necesita de extrema supervisión cuando la unidad se utiliza cerca de los niños.
19. La puerta del dispenser debe estar cerrada mientras este en uso. No deje la puerta abierta mientras se encuentren niños cerca.

Importantes Instrucciones de Seguridad del Dioxido de Carbono (CO₂)

1. El dióxido de carbono (CO₂) puede ser peligroso! Los cilindros de CO₂ tienen gas comprimido de alta presión, el cual puede ser peligroso si no está sujeto correctamente. Asegúrese de leer y entender todos los pasos para la correcta instalación del cilindro.
2. Siempre conecte el cilindro de CO₂ a un regulador de gas! Si esto no se tiene en cuenta existe el riesgo de daños o muerte en caso de que ocurra una explosión cuando se abra la válvula.
3. Nunca conecte el cilindro de CO₂ directamente al contenedor del producto.
4. Siempre siga las instrucciones correspondientes antes de cambiar un cilindro.
5. Nunca deje caer o arroje un cilindro de CO₂.
6. Siempre mantenga el cilindro alejado del calor. Almacene cilindros extras en lugares frescos (preferentemente 70° F). Mantenga los cilindros de forma vertical, boca arriba, amarrados para evitar que se caigan.
7. Siempre ventile y deje el área despejada en caso de que haya ocurrido una pérdida del gas.

8. Siempre chequee el test DOT (departamento de transporte) y la fecha en el cilindro antes de la instalación. Si la fecha fuera mayor a 5 años atrás no utilice ese cilindro. Devuélvalo a su proveedor de gas.
9. Nunca conecte el contenedor del producto a menos que haya mínimo dos mecanismos de seguridad en el sistema de presión, uno en el regulador del CO₂ y el otro en el contenedor del producto o en la línea de presión del gas.

GUARDE ESTAS INSTRUCCIONES PARA USO FUTURO

PELIGRO!

Riesgo para niños! Antes de deshacerse de un dispenser viejo retire la puerta del mismo de modo de asegurarse que ningún niño jugando se haya quedado atrapado dentro.

Gracias por comprar nuestro producto HAIER. Este manual de fácil uso lo guiará para poder realizar el mejor uso de su Dispenser.

Recuerde de tomar nota del modelo y número de serie. Estos se encuentran en la etiqueta en la parte trasera de la unidad.

No. de modelo

No. de serie

Fecha de compra

Tabla de Contenidos

PAGE

PRECAUCIONES DE SEGURIDAD	1-2
Precauciones generales	1-2
Dióxido de carbono	2-3
INVENTARIO DE ACCESORIOS	5
PARTES Y CARACTERÍSTICAS	6
UBICACIÓN APROPIADA	7
INSTRUCCIONES DE ENSAMBLAJE	8-11
Instalando las ruedas	8
Instalación del grifo	8
Instalación de la guía	9
Instalación del regulador de CO ₂ y el cilindro	9
Colocando el barril o tanque de cerveza	10
Importante mensaje de precaución.	11
UTILIZANDO EL DISPENSER	11-13
Sirviendo cerveza	11
Temperatura de la cerveza	12
Control de la temperatura	12
Descongelado automático	12
Sonidos de la operatoria normal	13
GUIA PARA SERVIR	13-14
Consejos para servir	13
Rendimiento de medio tanque de cerveza	13
Consejos para limpiar los vasos	14
2 pruebas simples para lavar los vasos	14
COVRTIENDO EL DISPENSER EN UN REFRIGERADOR	14-15
CONSEJOS DE AHORRO DE ENERGÍA	15
CUIDADO Y MANTENIMIENTO DEL DISPENSER	16-17
Instalación del Kit de limpieza	16
Limpieza y mantenimiento general	17
PROBLEMAS FRECUENTES	18-24
GARANTIA	25

Desempaque e Inventario de Accesorios

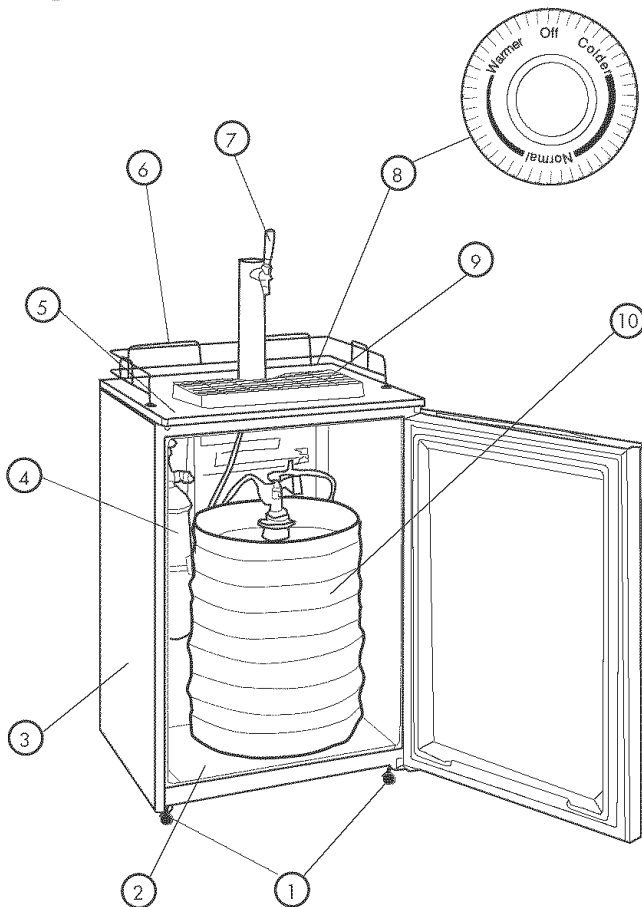
1. Retire todos los materiales del embalaje. Esto incluye la base de telgopor o goma espuma y todas las cintas adhesivas que contienen los accesorios fuera y por dentro. Deslice y retire la guarda plástica utilizada para asegurar el compresor durante el embarque y/o transporte.
2. Inspeccione y retire cualquier otro material del embalaje como cintas y material impreso antes hacer andar el dispenser.

Nota: Deje que el dispenser haya estado por lo menos 2 horas en la posición vertical antes de encender.

Controle todos los accesorios para asegurarse de que todas las partes estén presentes y en buena condición. A continuación hay una lista de todos los accesorios para referencia. Si faltara alguna pieza o estuviese rota, por favor, contacte nuestro departamento de servicio para asistencia. **El número es 1 877 227 3639.**

- 1 Grifo o canilla, incluyendo:
 - 1 junta o arandela para el grifo
 - 1 arandela para la conexión al barril
- 1 regulador del CO2
- 1 cilindro de CO2
- 1 sistema de acople
- 1 kit de limpieza
- 1 cable conductor de aire CO2
- 2 precintos
- 1 soporte de cilindro
- 1 guía de cromo
- 1 bandeja de goteo
- 4 rueditas
- 1 llave
- 4 tornillos cabeza phillips largos
- 8 tornillos cabeza phillips cortos
- 2 Soporte
- 2 cables
- 4 pins de soporte

Partes y Características



- | | |
|---------------------------------|---|
| 1. Rueditas frontales | 6. Guía de cromo |
| 2. Piso sobre el barril o tonel | 7. Canilla de cerveza cromada |
| 3. Cabina | 8. Termostato ajustable |
| 4. Cilindro de CO2 | 9. Bandeja de goteo |
| 5. Superficie de trabajo | 10. Barril/ tanque (no incluido, solo se muestra en ilustración) |

Ubicación Adecuada

- Para asegurar que su dispenser de cerveza opere al máximo de eficiencia instale el mismo en un lugar donde haya circulación de aire, instalación de tuberías y conexiones eléctricas.
- Elija una ubicación donde el dispenser esté lejos del calor y no esté expuesto a la luz del sol.
- Este Dispenser está diseñado solamente para **utilizar en interiores**, no debe ser utilizado al aire libre.
- El dispenser no debe colocarse sobre superficies edificadas o en áreas cerradas.
- Las siguientes dimensiones son el espacio recomendado alrededor del dispenser:

Laterales3/4" (19mm)

Arriba1" (25mm)

Atrás1" (25mm)

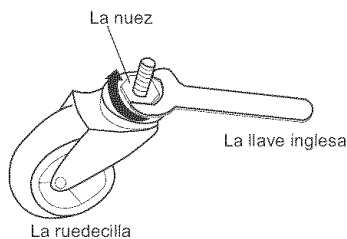
Instrucciones de Ensamble

Lea cuidadosamente y trate de comprender todas las instrucciones antes de comenzar con la instalación del dispenser. Si luego de terminado usted no estuviese seguro de haber instalado correctamente el dispenser, nosotros recomendamos que contacte a un técnico especializado.

Instale las Rueditas

Siga los siguientes pasos.

1. Vacíe el interior de la cabina completamente y recueste el dispenser en el piso. Recomendamos que utilice un cartón o tela para apoyar el dispenser y prevenir raspones o abolladuras.
2. Inserte las rueditas en los hoyos a los extremos de la base. Ajuste las tuercas de cada ruedita utilizando la llave provista.
3. Una vez colocadas las cuatro ruedas coloque el dispenser de pie.



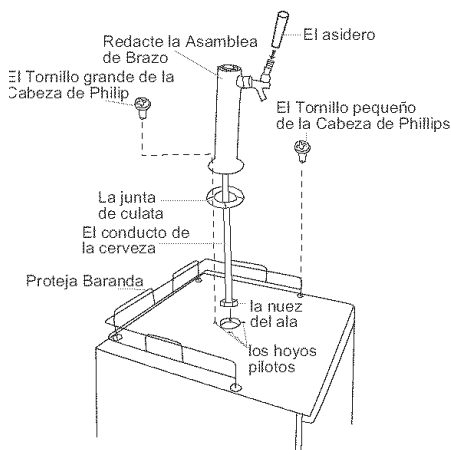
Instalación del grifo

Siga los siguientes pasos.

1. Primero retire el enchufe que se encuentra sobre la superficie de trabajo. Sostenga firmemente el enchufe, gire y tire hacia arriba.

Nota: Guarde este enchufe en un lugar seguro ya que usted lo necesitará cuando quiera convertir el dispenser en un refrigerador.

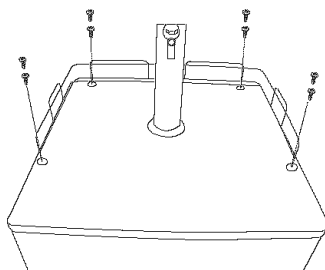
2. Coloque la arandela en la parte inferior del grifo o canilla.
3. Pase el tubo conductor de cerveza a través de la arandela y hasta el borde del grifo.
4. Inserte el tubo por el agujero que se encuentra en la superficie de manera que el grifo quede apoyado sobre la misma.
5. Alinee los agujeros del grifo con la arandela y agujeros en la superficie.
6. Ajuste utilizando 4 tornillos phillips largos.



Instalación de la Guía

Siga los siguientes pasos.

1. Coloque la guía en la superficie de la cabina como se muestra en el dibujo.
2. Alinee los agujeros de la guía con los de la superficie.
3. Ajuste con 8 tornillos pequeños phillips.

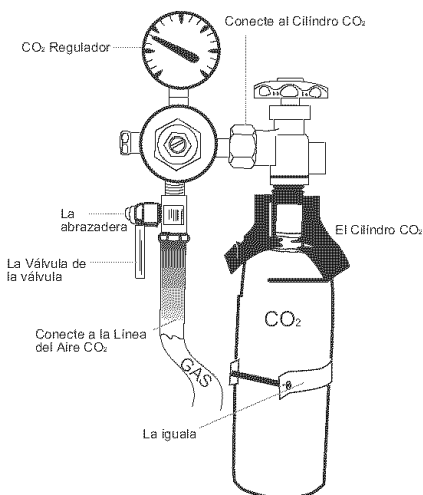


Instalación del regulador de CO₂ y el cilindro de CO₂

Siga los siguientes pasos. Usted debe entender todas las instrucciones antes de realizar la instalación.

Nota: Su cilindro de CO₂ es provisto vacío para evitar cualquier accidente durante el traslado del aparato. Cuando usted compre el primer barril/tanque de cerveza haga llenar el cilindro de CO₂.

1. Conecte el extremo de la manguera de aire al regulador de CO₂. Ajuste utilizando uno de los precintos plásticos negros. Utilice una tenaza para ajustar firmemente el precinto para asegurar que no haya pérdidas.
2. Conecte el regulador de CO₂ al cilindro de CO₂ ajustando firmemente la tuerca del regulador.
3. Retire la tuerca del soporte de cilindro y utilice los dos tornillos provistos para asegurar el soporte en la parte trasera del cilindro.
4. Deslice el cilindro dentro del soporte y ajuste la tuerca nuevamente.



PRECAUCION!

El CO₂ puede ser peligroso! Los cilindros contienen gas de alta presión, que puede ser dañino si no se maneja con sumo cuidado.

Colocando el barril o tanque de cerveza

Su dispenser de cerveza viene con un grifo americano de marca reconocida en los Estados Unidos. Antes de comprar el tanque o barril controle y verifique con el distribuidor que el grifo provisto pueda utilizarse.

Nota: Para la cerveza de giro de europeo, un Sankey europeo se requiere. Llame por favor el Peaje Sobresaliente de la Compañía del Equipo Liberta en (800) 621-4625 para más información.

Siga los siguientes pasos:

1. Asegúrese que la manija negra del sistema de acople esté en posición de cerrado (hacia arriba) antes de la instalación del tanque. Inserte el acople en el cuello del tanque o barril y gire en dirección al reloj para cerrar y ajustar. (ver figura 1)
2. Coloque el extremo de la manguera de circulación de aire en la boca del extremo superior del sistema de acople. Luego asegure la manguera utilizando uno de los precintos plásticos de modo que no haya pérdidas. (ver figura 2)
3. Es de suma importancia que la arandela de goma negra sea colocada dentro de la tuerca antes de conectar la manguera de cerveza al acople. Retire el soporte protector negro ubicado en la parte superior del sistema de acople y enrosque la tuerca con la arandela de goma. Ajuste firmemente (ver figura 3)
4. Asegúrese de que la llave de paso de la cerveza este cerrada (hacia atrás) antes de realizar la conexión con el tanque de cerveza. Para que la conexión sea segura tire de la manija del acople hacia fuera y luego presione hacia abajo hasta que encaje en la posición. (ver figura 4)
5. Cuidadosamente incline el tanque de cerveza y apoye el borde sobre la superficie soporte de acero inoxidable en el piso interior del gabinete. Luego deslice cuidadosamente el tanque de cerveza hacia el interior, asegurándose de que este en su lugar (ver figura 5)

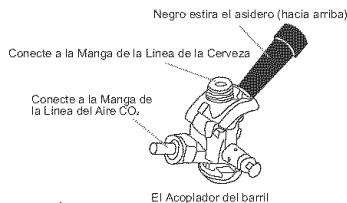


fig. 1

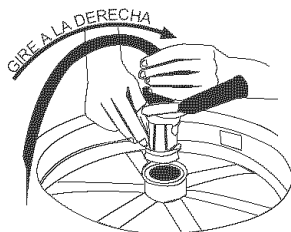


fig. 2

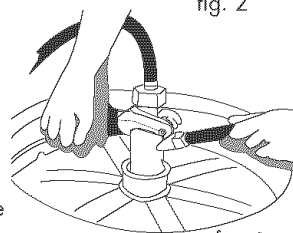


fig. 3

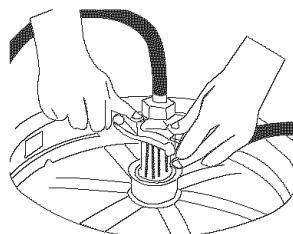


fig. 4

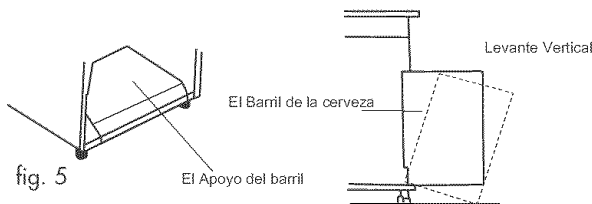


fig. 5

Importante Mensaje de Precaución

Si se utiliza CO₂ cuando se tira cerveza de barril el sistema debe estar adecuadamente protegido en contra de una excesiva concentración de presión. Esto puede ser logrado a través de la instalación de por lo menos dos mecanismos de seguridad con un adecuado sistema de descanso.

Los mecanismos de seguridad deben ser instalados en los siguientes lugares:

- A. Sobre o inmediatamente debajo del regulador de CO₂.
- B. En el sistema de la canilla.
- C. En la línea del sistema de presión.

Nota: Las ubicaciones en A y B son las preferibles.

Utilizando el Dispenser

Sirviendo Cerveza

Siga los pasos siguientes:

1. Asegúrese de que el dispenser este correctamente conectado a un enchufe de 120V, 60Hz y 15 amp.
2. Coloque la bandeja de goteo sobre la superficie debajo de la canilla.
3. Abra la canilla tirando rápidamente y completamente de la palanca hacia uno para servir.

Nota: Si por alguna razón la cerveza no saliera lea la sección de problemas frecuentes de este manual.

4. Regule o suba la presión en caso de que la cerveza bajara muy despacio. En condiciones de temperatura y presión correctas un vaso de 10oz debe llenarse en 4 segundos.
5. Sostenga el vaso con una inclinación de 45 grados. Cuando este 2/3 lleno comience a enderezar el vaso

Nota: Es normal ver que se forme condensación en la superficie de la canilla. Esto se debe a las diferentes temperaturas.

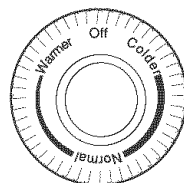
Temperatura de la Cerveza

- La temperatura recomendada para servir cerveza tirada es entre los 34° y 38° F. Para mantener esta temperatura en un ambiente con promedio 70°F seleccione la opción "Normal" del termostato.

Nota: Durante épocas de verano cuando hace mucho calor recomendamos que ajuste el termostato a un nivel mas alto.

- Seleccione y mantenga la temperatura correcta dentro del gabinete. Esto es esencial para no perder la frescura y el sabor de la cerveza.
- La temperatura recomendada para guardar un tanque o barril de cerveza es entre 38° y 40°F.
- El frío excesivo o temperaturas bajas excesivas pueden hacer que la cerveza pierda sabor.

Nota: A temperaturas mayores a 45°F la cerveza puede pasarse o volverse agria motivo de una fermentación secundaria.



Control de Temperatura

La perilla de control de temperatura se encuentra en la parte trasera de la unidad en el fondo en la esquina izquierda. Luego de encender la unidad usted deberá esperar aproximadamente 24 horas para que enfrie correctamente. Deberá ajustar el nivel de temperatura deseado de acuerdo a sus necesidades y preferencias.

Descongelado Automático

No es necesario descongelar el dispenser- refrigerador. El hielo que se acumula en el evaporador es automáticamente descongelado cada vez que el compresor se detiene. El agua del hielo va hacia la bandeja de descongelado en la parte trasera de la unidad y se evapora.

Entendiendo los Sonidos de la Operación Normal

- Sonido de burbujeo y leves vibraciones son comunes a la circulación de la refrigeración.
- Sonido de chisporroteo o pequeños golpes ocurren durante el ciclo de descongelado.
- Sonido de goteo es atribuible al agua que cae en la bandeja de goteo durante el período de descongelado.
- Un crujido puede escucharse debido a la contracción y expansión de las bobinas de enfriamiento durante el ciclo de descongelado.

Guía para Servir Cerveza

Consejos para Servir

Los siguientes consejos le ayudarán para servir la cerveza perfectamente.

Al servir cerveza controle lo siguiente:

- Limpieza
- Presión
- Temperatura
- Uso de CO₂ cuando es posible.

Rendimiento de Medio Tanque de Cerveza

Este dispenser de cerveza puede soportar hasta 1/2 tanque. Para su conveniencia, la siguiente tabla le muestra cuantos vasos pueden servirse con 1/2 tanque.

<u>No. de Vasos</u>	<u>Tamaño</u>	
192	12 oz.	
236	10 oz.	1/2-Tanque = 15-1/2 Galones
264	9 oz.	= 1984 Onzas
290	8 oz.	1/2-Tanque = 6-3/4 de Botellas de 12 Onza
353	7 oz.	
417	6 oz.	

Consejos para Limpiar los Vasos de Cerveza

Para que el sabor no tenga alteraciones lo más conveniente es servir la cerveza en vasos limpios. Los siguientes consejos le servirán para limpiar adecuadamente los vasos y servir la cerveza.

- No lave los vasos para la cerveza conjuntamente con otros que contengan leche u otra sustancia grasosa.
- Un excesivo uso de detergente puede dejar una película en los vasos y alterar el sabor.
- Utilice un buen detergente de modo que pueda eliminar todo tipo de sustancias grasas (por ejemplo: lápiz de labio).
- No utilice jabón
- Deje que los vasos se sequen con el aire, no utilice repasador.
- Lave los vasos con agua fresca antes de servir. Es recomendable servir la cerveza en un vaso húmedo.

Dos Pruebas Simples para Lavar los Vasos

1. Lave los vasos del modo usual. Inmersa primero el vaso en agua limpia. Vacíe el vaso. Si gotas de agua quedaran en el vaso dejando rastros o manchas es porque el vaso no ha sido lavado correctamente.
2. Nuevamente lave el vaso de modo usual. Llene con agua y un poco de sal y agite de manera que salgan las manchas o rastros de las paredes del vaso.

Convirtiendo el Dispenser en un Refrigerador

Para su conveniencia su Dispenser puede convertirse en un refrigerador. Simplemente siga los pasos siguientes.

Nota: Cuando utilicemos la unidad como un refrigerador no es necesario el uso de las rueditas, ya que en el movimiento pueden caerse las cosas almacenadas en los estantes.

1. Cierre la válvula principal del cilindro de CO₂.
2. Cierre la conexión entre el tanque o barril de cerveza y el sistema de acople llevando la llave o palanca de este último hacia arriba.
3. Desconecte ambos: la manguera de cerveza y el tubo de corriente de CO₂ del sistema de acople.
4. Retire el tanque de cerveza del gabinete.

5. Desconecte el tubo de aire de CO2 del cilindro.
6. Retire el cilindro del gabinete
7. Jale de la manguera de cerveza desde arriba del gabinete.
8. Instale el cable y enchufe en la superficie de trabajo.
9. Recueste la unidad, utilizando un paño o pieza de cartón para no rayar el piso, para poder retirar las rueditas.
10. Colocar los pies niveladores.
11. Instale los dos estantes.
12. El proceso de conversión se encuentra ahora ya realizado. Guarde los accesorios restantes en algún lugar seguro para su futuro uso.
13. Ajuste el nivel de temperatura deseado para conservar alimentos.

Consejos de Ahorro de Energía

Siga los siguientes consejos para el ahorro de energía y una óptima eficiencia.

- Límitese a abrir y cerrar la puerta del refrigerador sólo lo necesario en días de mucho calor y humedad.
- Controle regularmente que alrededor haya una adecuada corriente o circulación de aire.
- Mantenga los bordes y contornos de la puerta limpios para asegurar que la puerta se selle al cerrar. Si no sellara correctamente puede filtrarse aire cálido aumentando la temperatura interna del mismo. De esa manera el compresor deberá trabajar continuamente para mantener el frío haciendo mayor el consumo de energía.

Nota: Reemplace una junta de culata dañada de puerta para restaurar la eficiencia de la energía.

- **NO GUARDE** comidas calientes en el refrigerador, deje primero que se enfríen los alimentos y luego almacene.

Cuidado y Mantenimiento del Dispenser de Cerveza

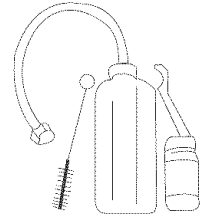
Instalando el Kit de limpieza

Lea las siguientes instrucciones antes de comenzar con la instalación del kit de limpieza.

1. Mezcle un galón de agua tibia con una cucharada de limpiador en un balde.

Nota: Do not use lye, soap or hot water.

2. Retire la tapa, llene la jarra con la solución anterior y tape nuevamente. Deje el resto de la misma en el balde.



3. Cierre la llave de paso de aire del regulador o la válvula en el tanque de CO₂.

4. Desconecte el grifo del barril. Luego desconecte la manguera de cerveza de la canilla girando la tuerca en dirección contraria al reloj. Coloque el grifo y la punta de la manguera en el balde.

5. Retire la canilla con la llave y coloque el extremo del envase limpiador en ese lugar.

Nota: Cerciórese hay una arandela en la espalda del apropiado.

6. Sostenga el jarro o envase de limpieza inclinado hacia debajo de manera que la solución corra hasta el fondo como muestra la figura de arriba.

7. Llene luego la jarra con agua fría y repita el proceso hasta que el agua salga limpia.

8. Lave la canilla con agua limpia.

9. Desconecte el extremo del kit de limpieza y coloque el grifo en su lugar.

10. Reubique la manguera de cerveza y ajuste nuevamente el grifo al barril.

Nota: Las líneas de la cerveza se deben limpiar después que cada barril se vacía.

Limpieza y Mantenimiento General

Limpieza general interna y externa del gabinete

1. Prepare una solución de aproximadamente 3 o 4 cucharadas de bicarbonato de sosa mezcladas con agua tibia. Utilice una esponja o un paño suave para repasar el interior y la parte externa del gabinete.
2. Repase con agua limpia y tibia y seque con un paño suave.

Nota: No utilice químicos, abrasivos, amoníaco, detergentes concentrados, cloro, solventes o esponjas de metal. Algunos de estos productos pueden dañar o decolorar el acabado de la unidad.

Limpieza de las juntas de la puerta

1. Limpie las juntas de las puertas con un paño húmedo cada 3 meses aproximadamente. Estas deben mantenerse limpias para que la puerta selle correctamente al cerrarse.
2. Puede utilizar parafina para aplicar a los costados de la junta y mantener el sellado correcto.

ADVERTENCIA!

Para evitar el riesgo a shock eléctrico siempre desenchufe el dispenser antes de la limpieza. En caso contrario correrá peligro de daños lesiones.

Limpieza por detrás del dispenser

1. Nosotros recomendamos que realice una limpieza por detrás del dispenser por lo menos dos veces al año.

Nota: Algunos ambientes requerirán de una limpieza constante.

2. Utilice una aspiradora o un cepillo para limpiar las bobinas.

PRECAUCION!

Antes de utilizar productos de limpieza siempre lea y siga las instrucciones de uso del producto.

Problemas Frecuentes

En caso de que esté sirviendo cerveza y ésta estuviese turbia, o de color apagado, con burbujas, sin gusto, o agria, refiérase a algunos de los siguientes puntos.

Condición de cerveza: Turbia

La cerveza en el vaso tiene un color nublado, pareciera no limpia.

Causa 1

Excesivas temperaturas bajas pueden causar estos efectos a la cerveza, especialmente si la cerveza permaneciera en la cadena de frío por un período.

Correccion

- Asegúrese que las líneas y tubos estén limpios y luego suba de a poco la temperatura.

Causa 2

La canilla de cerveza fue sólo abierta parcialmente..

Correccion

- Abra rápidamente y completamente la canilla.
- Reemplace arandelas o cualquier accesorio necesario para permitir que la canilla abra completamente.

Condición de cerveza: Pasada, de color apagado

La cerveza carece de su frescura y sabor original. La capa de espuma desaparece rápidamente.

Causa 1

El vaso presenta suciedad o grasa.

Corrección

- No lave el vaso junto a otros que hayan contenido leche u otra sustancia grasa.
- Es preferible esterilizar los vasos cuando sea necesario
- Lave los vasos utilizando un buen detergente de modo de eliminar todas las sustancias grasas.
- No utilice jabón.
- No seque los vasos con un paño o repasador. Permitan que se sequen con el aire.
- Enjuague los vasos con agua fresca antes de servir la cerveza.

Causa 2

La cerveza no se sirve de modo adecuado.

Correccion

- Abra la canilla rápidamente y de forma completa.
- La espuma de la cerveza debe ser una capa espesa de aproximadamente de 3/4" a 1" de espesor. La cerveza tirada sin espuma da la apariencia de estar pasada.

Causa 3

No hay demasiada presión.

Correccion

- Aumente la presión si la cerveza cayese muy despacio. Lo normal es llenar un vaso de 10oz. en 4 segundos.
- Controle la fuente de presión para determinar si estuviese obstruída.
- Reemplace la fuente de aire inactiva o el regulador de CO₂.
- La presión del tanque debe ser siempre más alta que la presión utilizada en un barril.
- Siempre aplique la presión al barril antes de dibujar cerveza.

Condición de cerveza: Sabor malo

Generalmente cuando está amarga, a veces carece de sabor y frescura.

Causa 1

Limpieza inadecuada del grifo.

Condición de la cerveza: Sabor malo

Generalmente cuando está amarga, a veces carece de sabor y frescura. Puede tener olor extraño o grasoso, lo que le confiere un gusto no placentero.

Causa 1

Limpieza inadecuada del grifo.

Correccion

- Cepille y lave el grifo y canilla adecuadamente. Es necesario utilizar detergente y luego enjuagar con agua limpia.

Causa 2

Conducto de aire contaminado.

Correccion

- El conductor o línea de aire debe ser examinado. Si estuviese contaminado debe ser reemplazado.

Causa 3

Tipo de manguera o conductor de aire impropio.

Correccion

- Un conductor de goma puede absorber y retener olores. Pruebe utilizar una manguera plástica o de cobre.

Recomendaciones generales para la cerveza de mal sabor:

La manguera conductora de cerveza debe limpiarse con agua cada vez que el tanque o barril es reemplazado. Mantenga las condiciones sanitarias adecuadas alrededor del dispenser. Humo, olores de la cocina o desinfectantes pueden interferir en el gusto y olor de cerveza. Estos factores nombrados pueden provenir del aire o del contacto con el vaso.

Condición de la cerveza: Agria

La cerveza huele y sabe extremadamente a levadura y a humedad.

Causa 1

Transporte inadecuado del barril o tanque de cerveza. La cerveza que fuese entregada en un camión abierto durante días de altas temperaturas puede comenzar en un proceso de fermentación secundaria.

Correccion

- Si es posible trate de que las cervezas les sea entregada en un camión cerrado con refrigeración. De otro modo cubra con una lona los tanques o barriles de cerveza para protegerlos del calor.

Condición de la Cerveza: Salvaje

La cerveza posee muchísima espuma y poco líquido.

Causa 1

La cerveza no se sirve de modo adecuado.

Correccion

- Abra el grifo rápidamente y de forma completa
- La espuma de la cerveza debe ser una ca pa espesa de aproximadamente de 3/4" a 1" de espesor.

Causa 2

Se crea alguna obstrucción en el grifo pro causa de la levadura de la cerveza y la no refrigeración del grifo y canilla.

Correccion

- Controle que no haya ninguna manguera o conducto desde el tanque o barril a la canilla que esté abollado, torcido o enroscado.
- La prueba para deshilachó arandelas que se emparejan atrás el grifo que puede causar una obstrucción.

Causa 3

La cerveza ha estado almacenada en algún lugar no lo suficientemente fresco.

Correccion

- Mantenga la cerveza refrigerada a una temperatura de 40°F durante todo el año.

Causa 4

Demasiada presión del aire.

Correccion

- Primero controle que la fuente de presión este trabajando correctamente. Luego ajuste la presión a un nivel balanceado deseado. Con la corriente normal de cerveza a la temperatura adecuada debe poder llenarse un vaso de 10oz. en 4 segundos.

Causa 5

Excesiva cantidad de CO₂.

Correccion

- Ajuste la presión de CO₂ a la menor medida posible. De todos modos la presión aplicada debe mantenerse un poco más alta que la presión de la misma cerveza. Más de 18 lbs. deben aplicarse.
- Cuanto más fría esté la cerveza y cuanto mayor sea la presión de CO₂ aplicada, más rápida es la absorción del CO₂ por parte de la cerveza. Esto hace que el estado de la cerveza sea más salvaje.
- Controle los reguladores de presión periodicamente para asegurarse que los niveles de presión sean constantes.

Causa 6

No hay suficiente presión o no hay presión del todo.

Correccion

- Controle si hay entradas de aire defectuosas.
- Siempre encienda la presión antes de tirar la cerveza

Causa 7

Se utilizó un tanque de cerveza o barril viejo que no ha sido guardado en las condiciones correctas.

Correccion

- Si la cerveza estuvo en lugares donde la temperatura es mayor a 45°F por un largo período de tiempo puede que se haya producido una fermentación secundaria.

Condición de la Cerveza:

Al comienzo del tanque o barril la cerveza se sirve sin inconvenientes.

Cuando se va acabando el barril la cerveza se convierte en.

Causa 1

Cuando se utiliza aire como fuente de presión éste reemplaza el CO₂ en la cerveza y la misma se torna apagada. Este problema no es evidente cuando la cerveza se tira rápidamente.

Correction

- Cuando sea posible es mejor utilizar el CO₂ como fuente de presión.

Garantía Limitada

Servicio en su casa

Qué cubre y por cuánto tiempo?

Esta garantía cubre todos los defectos en el funcionamiento y los materiales por un período de tiempo de:

12 meses

12 meses parts

5 años (partes únicamente)

La garantía comienza a partir de la fecha en que el producto fue comprado, la factura original de compra debe presentarse ante el Centro de servicios.

EXCEPCIONES: Garantías comercial o de uso rentado

90 días labor (part únicamente)

90 días partes

No otros warrantiés apliés

Lo que cubre la garantía.

1. Las partes mecánicas y eléctricas en un período de 12 meses. Esto incluye todas las partes menos el acabado y otros arreglos.
2. Los componentes del sistema por ejemplo compresor, condensador y evaporador, que posean defectos de manufactura por un período de 5 años desde la fecha de compra. Cualquier daño a dichas partes provenientes de traslado inadecuado o abuso no son alcanzados por la garantía.

Qué se hará?

1. Nosotros repararemos o reemplazaremos cualquier parte mecánica o eléctrica que se compruebe esté defectuosa en el funcionamiento normal y mientras se esté en el período de garantía antes especificado.
2. No habrá cargos al comprador por la reparación de las partes especificadas y por el período inicial de 12 meses. Luego de este período la labor deberá abonarse.

3. Contacte el Centro de servicio autorizado más cercano. Para conocer el centro más cercano visite website www.HaierAmerica.com. llame al 1-877-337-3639 para mayor información.

ESTA GARANTÍA CUBRE A LOS PRODUCTOS DENTRO DE LOS ESTADOS UNIDOS, PUERTO RICO Y CANADA. NO SIGUIENTE:

Dañor por instalación inadecuada.

Daños en el traslado.

Defectos que no sean de manufactura.

Daños por desuso, abuso, accidente,

alteración, falta de cuidado y

mantenimiento o uso del incorrecto.

Daños causados por otro uso que no sea el doméstico.

Daños causados por reparaciones que no hayan sido realizadas por un service autorizado o fuera entro de servicio.

Decoración o arreglos.

Embarque y transporte.

Labor (luego de los 12 meses iniciales).

ESTA GARANTIA LIMITADA ESTA DADA EN LUGAR DE TODA OTRA GARANTIA, INCLUYENDO LA GARANTIA DE COMERCIALIZACION POR PROPOSITOS PARTICULARES.

La solución provista en esta garantía es exclusiva y está otorgada en lugar de toda otra garantía.

Esta garantía no cubre daños ocasionales o incidentales, es por ello que las limitaciones anteriores pueden no ser aplicables en su caso.

Esta garantía le da derechos específicos y usted tendrá otros derechos que pueden variar de Estado a Estado.

Haier America
New York, NY 10018