

Owner's Manual



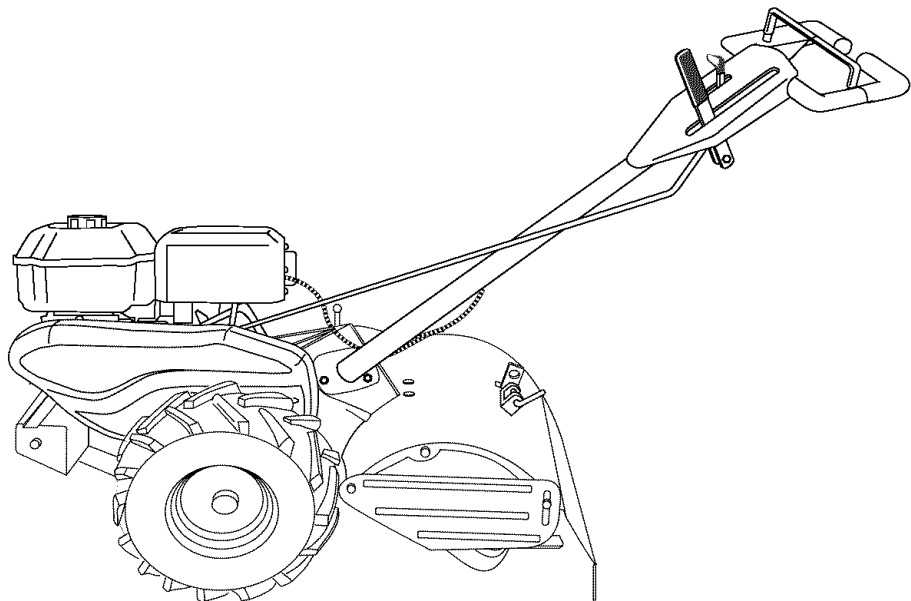
# REAR TINE TILLER WITH COUNTER ROTATING TINES

6.5 HP

17 Inch Tine Width

Model No.

**917.294484**



• Español, p. 22



This product has a low emission engine which operates differently from previously built engines. Before you start the engine, read and understand this Owner's Manual.

## **IMPORTANT:**

Read and follow all Safety Rules and Instructions before operating this equipment.

Sears, Roebuck and Co., Hoffman Estates, IL 60179 U.S.A.

Visit our Craftsman website: [www.sears.com/craftsman](http://www.sears.com/craftsman)

## TABLE OF CONTENTS

|                              |    |                              |            |
|------------------------------|----|------------------------------|------------|
| Safety Rules .....           | 2  | Service and Adjustments..... | 15         |
| Warranty .....               | 2  | Storage .....                | 19         |
| Product Specifications ..... | 4  | Troubleshooting .....        | 20         |
| Assembly/Pre-Operation ..... | 6  | Illustrated Parts List.....  | 42         |
| Operation.....               | 8  | Sears Service .....          | Back Cover |
| Maintenance .....            | 13 |                              |            |

## WARRANTY

### LIMITED TWO YEAR WARRANTY ON CRAFTSMAN TILLER

For two (2) years from date of purchase, when this Craftsman Tiller is maintained, lubricated, and tuned up according to the operating and maintenance instructions in the owner's manual, Sears will repair free of charge any defect in material or workmanship.

This Warranty does not cover:

- Expendable items which become worn during normal use, such as tines, spark plugs, air cleaners and belts.
- Repairs necessary because of operator abuse or negligence, including bent crankshafts and the failure to maintain the equipment according to the instructions contained in the owner's manual.
- If this Craftsman Tiller is used for commercial or rental purposes, this Warranty applies for only thirty (30) days from the date of purchase.

Warranty service is available by returning the craftsman power mower to the nearest sears service center/department in the united states. This warranty applies only while this product is in use in the united states.

This Warranty gives you specific legal rights, and you may also have other rights which vary from state to state.

SEARS, ROEBUCK AND CO., D/817WA, HOFFMAN ESTATES, IL 60179 U.S.A.

## SAFETY RULES

**IMPORTANT:** This cutting machine is capable of amputating hands and feet and throwing objects. Failure to observe the following safety instructions could result in serious injury or death.

### TRAINING

- Read the Owner's Manual carefully. Be thoroughly familiar with the controls and the proper use of the equipment. Know how to stop the unit and disengage the controls quickly.
- Never allow children to operate the equipment. Never allow adults to operate the equipment without proper instruction.
- Keep the area of operation clear of all persons, particularly small children, and pets.

### PREPARATION

- Thoroughly inspect the area where the equipment is to be used and remove all foreign objects.

- Disengage all clutches and shift into neutral before starting the engine (motor).
- Do not operate the equipment without wearing adequate outer garments. Wear footwear that will improve footing on slippery surfaces.
- Handle fuel with care; it is highly flammable.
- Use an approved fuel container.
- Never add fuel to a running engine or hot engine.
- Fill fuel tank outdoors with extreme care. Never fill fuel tank indoors.
- Replace gasoline cap securely and clean up spilled fuel before restarting.

## SAFETY RULES

- Use extension cords and receptacles as specified by the manufacturer for all units with electric drive motors or electric starting motors.
- Never attempt to make any adjustments while the engine (motor) is running (except where specifically recommended by manufacturer).


### OPERATION


- Do not put hands or feet near or under rotating parts.
- Exercise extreme caution when operating on or crossing gravel drives, walks, or roads. Stay alert for hidden hazards or traffic. Do not carry passengers.
- After striking a foreign object, stop the engine (motor), remove the wire from the spark plug, thoroughly inspect the tiller for any damage, and repair the damage before restarting and operating the tiller.
- Exercise caution to avoid slipping or falling.
- If the unit should start to vibrate abnormally, stop the engine (motor) and check immediately for the cause. Vibration is generally a warning of trouble.
- Stop the engine (motor) when leaving the operating position.
- Take all possible precautions when leaving the machine unattended. Disengage the tines, shift into neutral, and stop the engine.
- Before cleaning, repairing, or inspecting, shut off the engine and make certain all moving parts have stopped. Disconnect the spark plug wire, and keep the wire away from the plug to prevent accidental starting. Disconnect the cord on electric motors.
- Do not run the engine indoors; exhaust fumes are dangerous.
- Never operate the tiller without proper guards, plates, or other safety protective devices in place.
- Keep children and pets away.
- Do not overload the machine capacity by attempting to till too deep at too fast a rate.


- Never operate the machine at high speeds on slippery surfaces. Look behind and use care when backing.
- Never allow bystanders near the unit.
- Use only attachments and accessories approved by the manufacturer of the tiller.
- Never operate the tiller without good visibility or light.
- Be careful when tilling in hard ground. The tines may catch in the ground and propel the tiller forward. If this occurs, let go of the handlebars and do not restrain the machine.

### MAINTENANCE AND STORAGE

- Keep machine, attachments, and accessories in safe working condition.
- Check shear pins, engine mounting bolts, and other bolts at frequent intervals for proper tightness to be sure the equipment is in safe working condition.
- Never store the machine with fuel in the fuel tank inside a building where ignition sources are present, such as hot water and space heaters, clothes dryers, and the like. Allow the engine to cool before storing in any enclosure.
- Always refer to the operator's guide instructions for important details if the tiller is to be stored for an extended period.

 Look for this symbol to point out important safety precautions. It means **CAUTION!!! BECOME ALERT!!! YOUR SAFETY IS INVOLVED.**

 **CAUTION:** Always disconnect spark plug wire and place wire where it cannot contact spark plug in order to prevent accidental starting when setting up, transporting, adjusting or making repairs.

 **WARNING:** Engine exhaust, some of its constituents, and certain vehicle components contain or emit chemicals known to the State of California to cause cancer and birth defects or other reproductive harm.

## PRODUCT SPECIFICATIONS

|  |   |
|--|---|
| Gasoline Capacity:                     | 4 Quarts<br>Unleaded Regular              |
| Oil (API-SG-SL):<br>(Capacity: 19 oz.) | SAE 30<br>(Above 40°F)<br>SAE5W-30/10W-30 |
| Spark Plug :<br>(Gap: .030")           | Champion<br>RC12YC                        |

**CONGRATULATIONS** on your purchase of a Sears Tiller. It has been designed, engineered and manufactured to give you the best possible dependability and performance.

Should you experience any problems you cannot easily remedy, please contact a Sears or other qualified Service Center. We have competent, well-trained technicians and the proper tools to service or repair this unit.

Please read and retain this manual. The instructions will enable you to assemble and maintain your tiller properly. Always observe the "SAFETY RULES".

Your new tiller has been assembled at the factory with exception of those parts left unassembled for shipping purposes. To ensure safe and proper operation of your tiller all parts and hardware you assemble must be tightened securely. Use the correct tools as necessary to insure proper tightness.

### CUSTOMER RESPONSIBILITIES

- Read and observe the safety rules.
- Follow a regular schedule in maintaining, caring for and using your tiller.
- Follow the instructions under the "Maintenance" and "Storage" sections of this Owner's Manual.

**⚠WARNING:** This unit is equipped with an internal combustion engine and should not be used on or near any unimproved forest-covered, brush-covered or grass covered land unless the engine's exhaust system is equipped with a spark arrester meeting applicable local or state laws (if any). If a spark arrester is used, it should be maintained in effective working order by the operator.

In the state of California the above is required by law (Section 4442 of the California Public Resources Code). Other states may have similar laws. Federal laws apply on federal lands. A spark arrester for the muffler is available through your nearest Sears service center (See REPAIR PARTS section of this manual).

### REPAIR PROTECTION AGREEMENTS

Congratulations on making a smart purchase. Your new Craftsman® product is designed and manufactured for years of dependable operation. But like all products, it may require repair from time to time. That's when having a Repair Protection Agreement can save you money and aggravation.

*Purchase a Repair Protection Agreement now and protect yourself from unexpected hassle and expense.*

Here's what's included in the Agreement:

- Expert service by our 12,000 professional repair specialists.
- Unlimited service and no charge for parts and labor on all covered repairs.
- Product replacement if your covered product can't be fixed.
- Discount of 10% from regular price of service and service-related parts not covered by the agreement; also, 10% off regular price of preventive maintenance check.
- Fast help by phone – phone support from a Sears technician on products requiring in-home repair, plus convenient repair scheduling.

Once you purchase the Agreement, a simple phone call is all that it takes for you to schedule service. You can call anytime day or night, or schedule a service appointment online.

Sears has over 12,000 professional repair specialists, who have access to over 4.5 million quality parts and accessories.

That's the kind of professionalism you can count on to help prolong the life of your new purchase for years to come. Purchase your Repair Protection Agreement today!

**Some limitations and exclusions apply. For prices and additional information call 1-800-827-6655.**


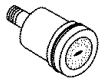
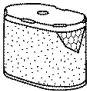



### SEARS INSTALLATION SERVICE

*For Sears professional installation of home appliances, garage door openers, water heaters, and other major home items, in the U.S.A. call 1-800-4-MY-HOME®*

# ACCESSORIES

These accessories were available when the tiller was produced. They are also available at most Sears retail outlets and service centers. Some of these accessories may not apply to your tiller.



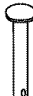

## ENGINE

| SPARK PLUG  | MUFFLER   | AIR FILTER  | GAS CAN   | ENGINE OIL  | STABILIZER  |
|---|---|---|---|---|---|
|  |  |  |  |  |  |

## TILLER PERFORMANCE

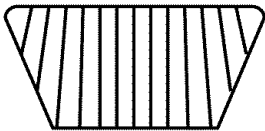
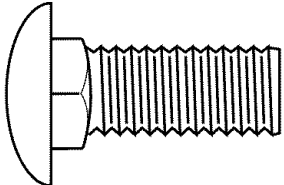
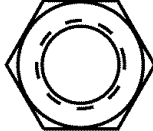
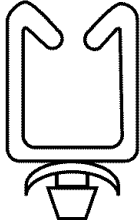
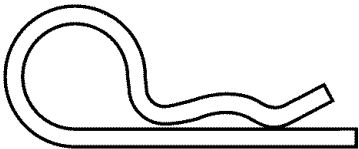
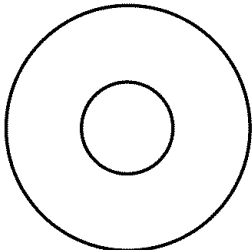
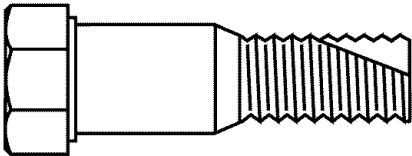
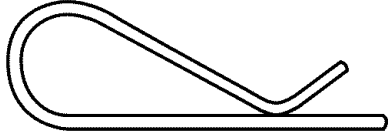
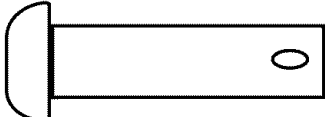
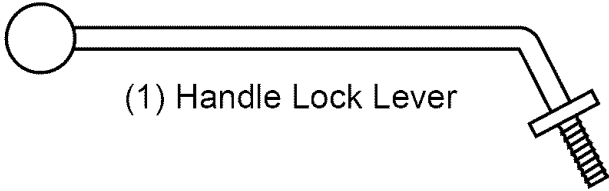
| FURROW OPENER   |
|---|
|  |

## TILLER MAINTENANCE

| BELT  | TINES   | SHEAR PIN   | HAIRPIN CLIP  |
|---|---|---|---|
|  |  |  |  |

# UNASSEMBLED PARTS

## CONTENTS OF HARDWARE PACK

|   |   |  |   |
|---|---|--|---|
|  |  |  |  |
| (2) Handle Locks  | (1) Carriage Bolt<br>3/8-16 UNC x 1 Gr. 5   | (1) Center Locknut<br>3/8-16 UNC   | (1) Cable Clip  |
|  |  |  |   |
| (1) Hairpin Clips   | (1) Flat Washer<br>13/32 x 1 x 11 Ga.   | (1) Pivot Bolt<br>3/8-16 UNC Grade 5   |   |
|  |  |  |   |
| (2) Shear Pins & Clips  |   | (1) Handle Lock Lever  |   |

# ASSEMBLY/PRE-OPERATION

Your new tiller has been assembled at the factory with the exception of those parts left unassembled for shipping purposes. To ensure safe and proper operation of your tiller all parts and hardware you assemble must be tightened securely. Use the correct tools as necessary to insure proper tightness.

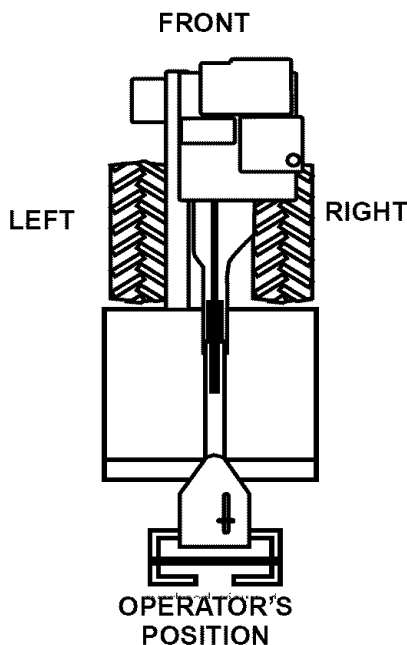
## TOOLS REQUIRED FOR ASSEMBLY

A socket wrench set will make assembly easier. Standard wrench sizes are listed.

- (1) Utility knife
- (1) Wire cutter
- (1) Tire pressure gauge
- (1) Screwdriver
- (1) Pair of pliers
- (1) 9/16" wrench

## OPERATOR'S POSITION

When right or left hand is mentioned in this manual, it means when you are in the operating position (standing behind tiller handles).



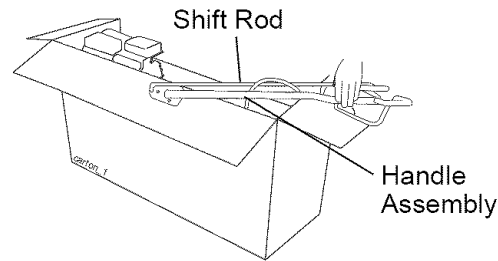
## UNPACKING CARTON

**CAUTION:** Be careful of exposed staples when handling or disposing of cartoning material.

**IMPORTANT:** When unpacking and assembling tiller, be careful of exposed staples when handling or disposing of cartoning material.

1. While holding handle assembly, cut cable ties securing handle assembly to top frame. Let handle assembly rest on tiller.
2. Remove top frame of carton.
3. Slowly ease handle assembly up and place on top of carton.

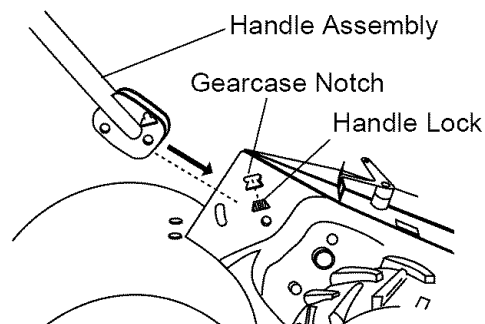
4. Cut down right hand front and right hand rear corners of carton, lay side carton wall down.
5. Remove packing material from handle assembly.
6. Separate shift rod from handle assembly.



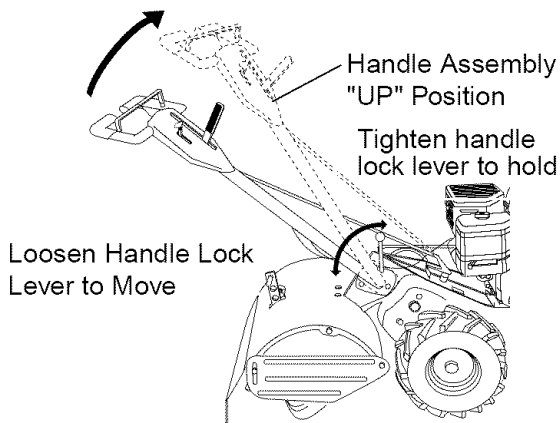
## INSTALL HANDLE

1. Insert one handle lock (with teeth facing outward) in gearcase notch. (Apply grease on smooth side of handle lock to aid in keeping lock in place until handle assembly is lowered into position.)

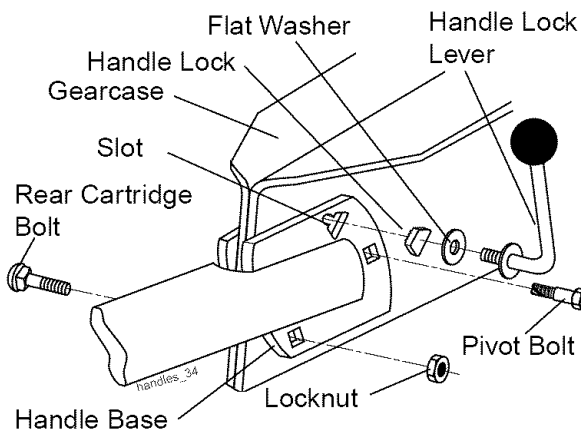
### VIEWED FROM R.H. SIDE OF TILLER



2. Grasp handle assembly. Hold in "up" position. Be sure handle lock remains in gearcase notch. Slide handle assembly into position.
3. Rotate handle assembly down. Insert rear carriage bolt first, with head of bolt on L.H. side of tiller and loosely assemble locknut.

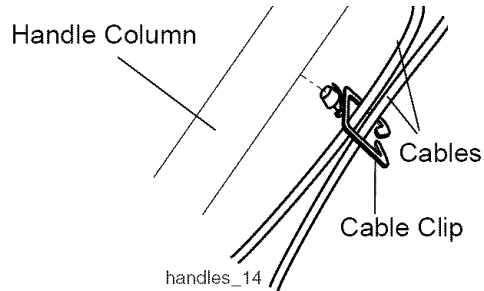


4. Insert pivot bolt in front part of plate and tighten.
5. Cut down remaining corners of carton and lay panels flat.
6. Lower the handle assembly. Tighten nut on carriage bolt so handle moves with some resistance. This will allow for easier adjustment.
7. Place flat washer on threaded end of handle lock lever.
8. Insert handle lock lever through handle base and gearcase. Screw in handle lock lever just enough to hold lever in place.
9. Insert second handle lock (with teeth inward) in the slot of the handle base (just inside of washer).
10. Raise handle assembly to highest position and securely tighten handle lock lever by rotating clockwise. Leaving handle assembly in highest position will make it easier to connect shift rod.



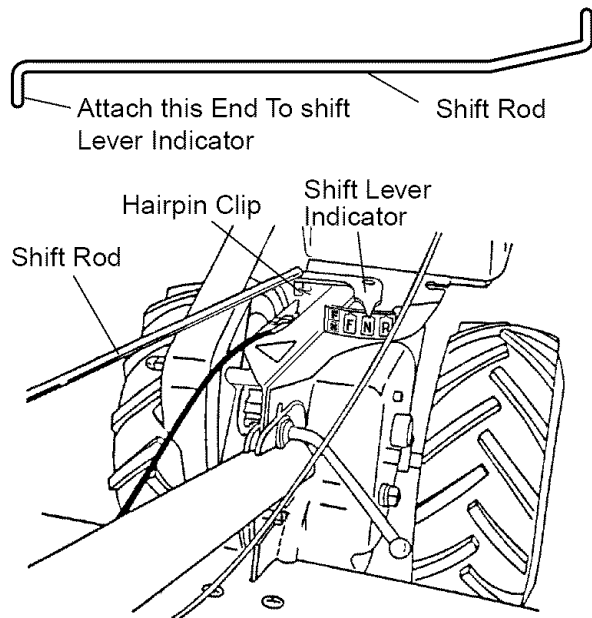
#### INSERT CABLE CLIP

- Insert plastic cable clip into hole on the back of handle column. Push cables into clip.



#### CONNECT SHIFT ROD

1. Insert end of shift rod farthest from bend into hole of shift lever indicator.
2. Insert hairpin clip through hole of shift rod to secure with bend of clip on right side.



#### REMOVE TILLER FROM CRATE

1. Adjust handle assembly to lowest position. Be sure lock lever is tightened securely.
2. Make sure shift lever indicator is in "N" (neutral) position.
3. Tilt tiller forward by lifting handle. Separate cardboard cover from leveling shield.
4. Rotate tiller handle to the right and pull tiller out of carton.

#### CHECK TIRE PRESSURE

The tires on your unit were overinflated at the factory for shipping purposes. Correct and equal tire pressure is important for best tilling performance.

- Reduce tire pressure to 20 PSI.

#### HANDLE HEIGHT

- Handle height may be adjusted to better suit operator. (See "TO ADJUST HANDLE HEIGHT" in the Service and Adjustments section of this manual).

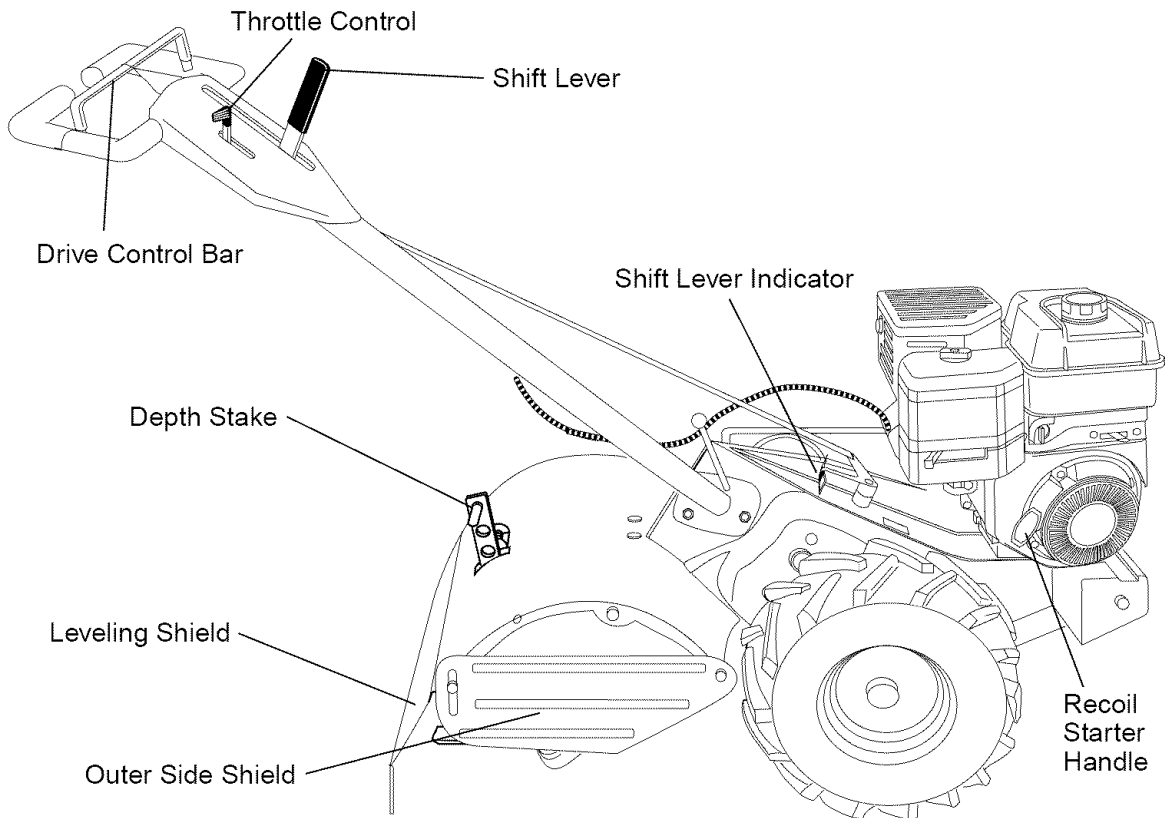
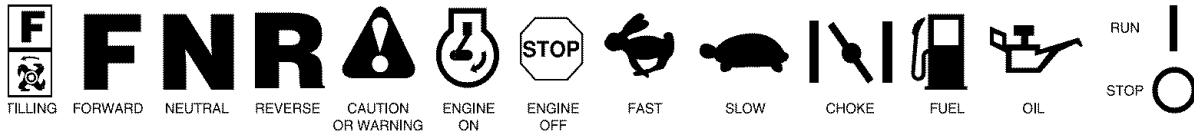
# OPERATION

These symbols may appear on your Tiller or in literature supplied with the product. Learn and understand their meaning.

## KNOW YOUR TILLER

READ THIS OWNER'S MANUAL AND SAFETY RULES BEFORE OPERATING YOUR TILLER.

Compare the illustrations with your tiller to familiarize yourself with the location of various controls and adjustments. Save this manual for future reference.



## MEETS ANSI SAFETY REQUIREMENTS

Our tillers conform to the safety standards of the American National Standards Institute.

**DRIVE CONTROL BAR** - Used to engage tines.

**DEPTH STAKE** - Controls depth at which tiller will dig.

**OUTER SIDE SHIELD** - Adjustable to protect small plants from being buried.

**THROTTLE CONTROL** - Used to control engine speed.

**LEVELING SHIELD** - Levels tilled soil.

**SHIFT LEVER** - Used to shift transmission gears.

**SHIFT LEVER INDICATOR** - Shows which gear the transmission is in.

**RECOIL STARTER HANDLE** - Used to start the engine.





The operation of any tiller can result in foreign objects thrown into the eyes, which can result in severe eye damage. Always wear safety glasses or eye shields before starting your tiller and while tilling. We recommend a wide vision safety mask over spectacles or standard safety glasses.

## HOW TO USE YOUR TILLER

Know how to operate all controls before adding fuel and oil or attempting to start engine.

### STOPPING

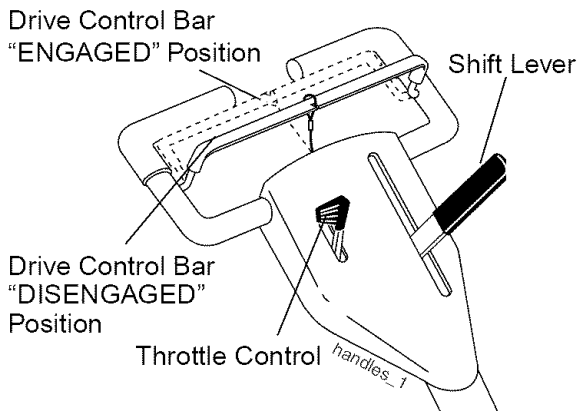
#### TINES AND DRIVE

1. Release drive control bar to stop movement.
2. Move shift lever to "N" (neutral) position.

#### ENGINE

- Move throttle control to "STOP" position. If equipped with stop switch, move switch to "STOP" position.

**NOTE:** Never use choke to stop engine.



#### TINE OPERATION - WITH WHEEL DRIVE

- Always release drive control bar before moving shift lever into another position.
- Tine movement is achieved by moving shift lever to (R) till position and engaging drive control bar.

#### FORWARD - WHEELS ONLY/TINES STOPPED

- Release drive control bar and move shift lever indicator to "F" (forward) position. Engage drive control bar and tiller will move forward.

#### REVERSE - WHEELS ONLY/TINES STOPPED

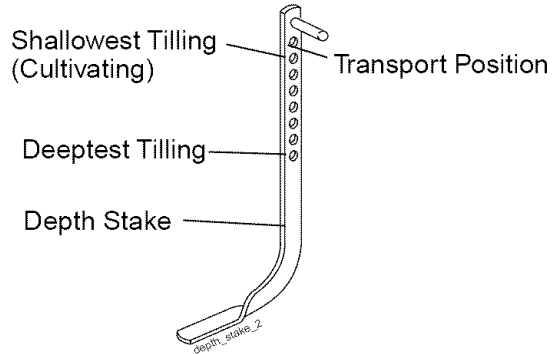
1. DO NOT STAND DIRECTLY BEHIND TILLER.
2. Release the drive control bar.
3. Move throttle control to "SLOW" position.
4. Move shift lever indicator to "R" (reverse) position.
5. Hold drive control bar against the handle to start tiller movement.

#### HARD TO SHIFT GEARS

- Briefly engage drive control bar and release or rock tiller forward and backward until are able to shift gears.

#### DEPTH STAKE

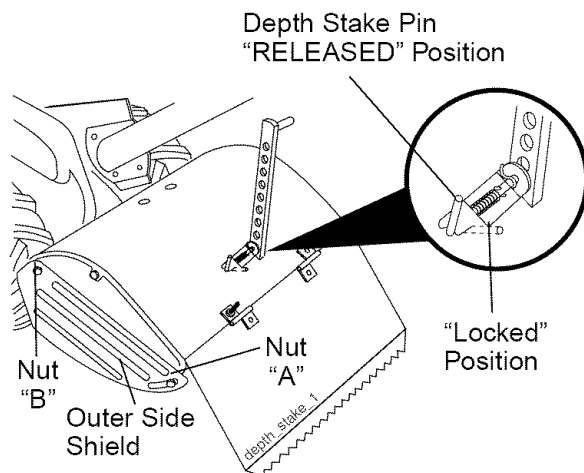
The depth stake can be raised or lowered to allow you more versatile tilling and cultivating, or to more easily transport your tiller.



#### TILLING

1. Release depth stake pin. Pull the depth stake up for increased tilling depth. Place depth stake pin in hole of depth stake to lock in position.
2. Place shift lever indicator in till position.
3. Hold the drive control bar against the handle to start tilling movement. Tines and wheels will both turn.
4. Move throttle control to "FAST" position for deep tilling. To cultivate, throttle control can be set at any desired speed, depending on how fast or slow you wish to cultivate.

**IMPORTANT:** Always release drive control bar before moving shift lever into another position.



## TURNING

1. Release the drive control bar.
2. Move throttle control to "SLOW" position.
3. Place shift lever indicator in "F" (forward) position. Tines will not turn.
4. Lift handle to raise tines out of ground.
5. Swing the handle in the opposite direction you wish to turn, being careful to keep feet and legs away from tines.
6. When you have completed your turn-around, release the drive control bar and lower handle. Place shift lever in (till) position and move throttle control to desired speed. To begin tilling, hold drive control bar against the handle.

## OUTER SIDE SHIELDS

The back edges of the outer side shields are slotted so that the shields can be raised for deep tilling and lowered for shallow tilling to protect small plants from being buried.

1. Loosen nut "A" in slot and nut "B".
2. Move shield to desired position (both sides).
3. Retighten nuts.

## TO TRANSPORT

**CAUTION:** Before lifting or transporting, allow tiller engine and muffler to cool. Disconnect spark plug wire. Drain gasoline from fuel tank.

### AROUND THE YARD

1. Release the depth stake pin. Move the depth stake down to the top hole for transporting the tiller. Place depth stake pin in hole of depth stake to lock in position. This prevents tines from scuffing the ground.
2. Place shift lever indicator in "F" (forward) position for transporting.
3. Hold the drive control bar against the handle to start tiller movement. Tines will not turn.
4. Move throttle control to desired speed.

### AROUND TOWN

1. Disconnect spark plug wire.
2. Drain fuel tank.
3. Transport in upright position to prevent oil leakage.

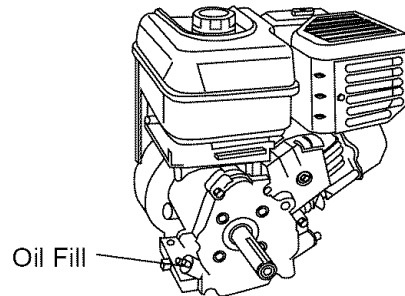
## BEFORE STARTING ENGINE

**IMPORTANT:** Be very careful not to allow dirt to enter the engine when checking or adding oil or fuel. Use clean oil and fuel and store in approved, clean, covered containers. Use clean fill funnels.

### CHECK ENGINE OIL LEVEL

The engine in your unit has been shipped, from the factory, already filled with SAE 30 summer weight oil.

1. With engine level, clean area around oil filler plug and remove plug.
  2. Engine oil should be to point of overflowing when engine is level.
- For approximate capacity see "PRODUCT SPECIFICATIONS" on page 3 of this manual. All oil must meet A.P.I. Service Classification SF-SJ.
  - For cold weather operation you should change oil for easier starting (See oil viscosity chart in the Maintenance section of this manual).
  - To change engine oil, see the Maintenance section in this manual.



## ADD GASOLINE

- Fill fuel tank to bottom of filler neck. Do not overfill. Use fresh, clean, regular unleaded gasoline with a minimum of 87 octane. (Use of leaded gasoline will increase carbon and lead oxide deposits and reduce valve life). Do not mix oil with gasoline. Purchase fuel in quantities that can be used within 30 days to assure fuel freshness.

**CAUTION:** Fill to within 1/2 inch of top of fuel tank to prevent spills and to allow for fuel expansion. If gasoline is accidentally spilled, move machine away from area of spill. Avoid creating any source of ignition until gasoline vapors have disappeared.

Wipe off any spilled oil or fuel. Do not store, spill or use gasoline near an open flame.

**IMPORTANT:** When operating in temperatures below 32°F (0°C), use fresh, clean winter grade gasoline to help insure good cold weather starting.

**CAUTION:** Alcohol blended fuels (called gasohol or using ethanol or methanol) can attract moisture which leads to separation and formation of acids during storage. Acidic gas can damage the fuel system of an engine while in storage. To avoid engine problems, the fuel system should be emptied before storage of 30 days or longer. Drain the gas tank, start the engine and let it run until the fuel lines and carburetor are empty. Use fresh fuel next season. See Storage Instructions for additional information. Never use engine or carburetor cleaner products in the fuel tank or permanent damage may occur.

## TO START ENGINE

**CAUTION:** Keep drive control bar in “DISENGAGED” position when starting engine.

When starting engine for the first time or if engine has run out of fuel, it will take extra pulls of the recoil starter to move fuel from the tank to the engine.

1. Make sure spark plug wire is properly connected.
2. Move shift lever indicator to “N” (neutral) position.
3. Place throttle control in “FAST” position.
4. Turn fuel shut-off valve 1/4 turn to open position.
5. Move choke control to choke position.
6. Grasp recoil starter handle with one hand and grasp tiller handle with other hand. Pull rope out slowly until engine reaches start of compression cycle (rope will pull slightly harder at this point).
7. Pull recoil starter handle quickly. Do not let starter handle snap back against starter.

**NOTE:** If engine fires but does not start, move choke control to half choke position. Pull recoil starter handle until engine starts.

8. When engine starts, slowly move choke control to “RUN” position as engine warms up.

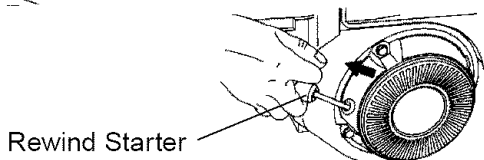
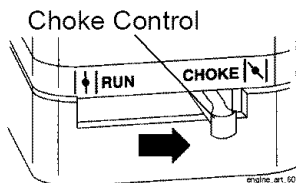
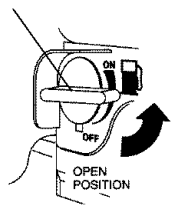
**NOTE:** A warm engine requires less choking to start.

9. Move throttle control to desired running position.
10. Allow engine to warm up for a few minutes before engaging tines.

**NOTE:** If at a high altitude (3000 feet) or in cold temperatures (below 32°F), the carburetor fuel mixture may need to be adjusted for best engine performance. See “TO ADJUST CARBURETOR” in the Service and Adjustments section of this manual.

**NOTE:** If engine does not start, see troubleshooting points.

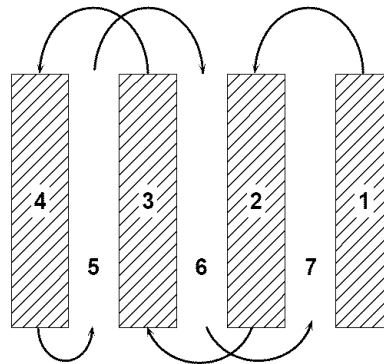
Fuel Shut-Off



## TILLING HINTS

**CAUTION:** Until you are accustomed to handling your tiller, start actual field use with throttle in slow position (mid-way between “FAST” and “IDLE”).

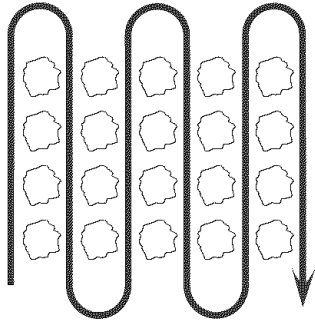
- Tilling is digging into, turning over, and breaking up packed soil before planting. Loose, unpacked soil helps root growth. Best tilling depth is 4” to 6”. A tiller will also clear the soil of unwanted vegetation. The decomposition of this vegetable matter enriches the soil. Depending on the climate (rainfall and wind), it may be advisable to till the soil at the end of the growing season to further condition the soil.
- Soil conditions are important for proper tilling. Tines will not readily penetrate dry, hard soil which may contribute to excessive bounce and difficult handling of your tiller. Hard soil should be moistened before tilling; however, extremely wet soil will “ball-up” or clump during tilling. Wait until the soil is less wet in order to achieve the best results. When tilling in the fall, remove vines and long grass to prevent them from wrapping around the tine shaft and slowing your tilling operation.
- You will find tilling much easier if you leave a row untilled between passes. Then go back between tilled rows. There are two reasons for doing this. First, wide turns are much easier to negotiate than about-faces. Second, the tiller won't be pulling itself, and you, toward the row next to it.
- Do not lean on handle. This takes weight off the wheels and reduces traction. To get through a really tough section of sod or hard ground, apply upward pressure on handle or lower the depth stake.



## CULTIVATING

Cultivating is destroying the weeds between rows to prevent them from robbing nourishment and moisture from the plants. At the same time, breaking up the upper layer of soil crust will help retain moisture in the soil. Best digging depth is 1" to 3" (2.5-7.5 cm). Lower the outer side shields to protect small plants from being buried.

- Cultivate up and down the rows at a speed which will allow tines to uproot weeds and leave the ground in rough condition, promoting no further growth of weeds and grass.



## TINE SHEAR PINS

The tine assemblies on your tiller are secured to the tine shaft with shear pins (See "TINE REPLACEMENT" in the Service and Adjustments section of this manual).

If the tiller is unusually overloaded or jammed, the shear pins are designed to break before internal damage occurs to the transmission.

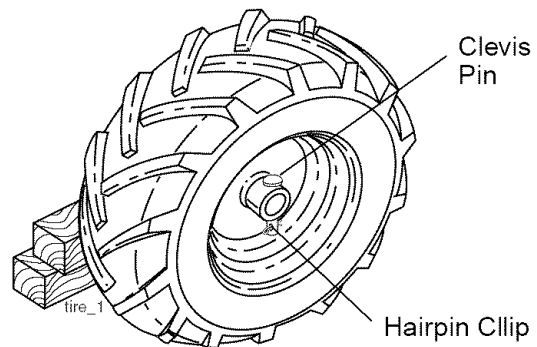
- If shear pin(s) break, replace only with those shown in the Repair Parts section of this manual.

## ADJUST WHEELS FOR CULTIVATING

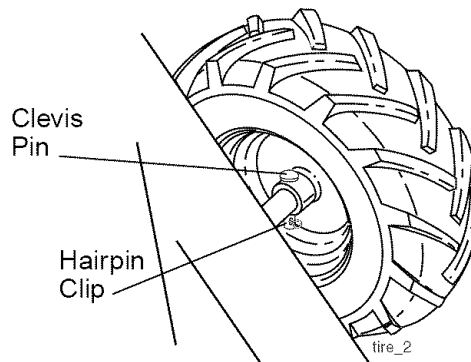
1. Place blocks under right hand side of tiller and remove hairpin clip and clevis pin from right hand wheel.
2. Move wheel outward approximately 1 inch until hole in inner wheel hub lines up with inner hole in axle.
3. Replace clevis pin and hairpin clip on inside of wheel and remove blocks.
4. Repeat preceding steps on left hand side.

**NOTE:** In extremely rough conditions and while cultivating, the wheels should be moved outward on the axle for increased stability.

OUTER VIEW OF TIRE



INNER VIEW OF TIRE



# MAINTENANCE

| <b>MAINTENANCE SCHEDULE</b>                         | SERVICE DATES   |               |                  |                |              |
|---|-----------------|---------------|------------------|----------------|--------------|
| FILL IN DATES<br>AS YOU COMPLETE<br>REGULAR SERVICE | BEFORE EACH USE | EVERY 5 HOURS | EVERY 25 HOURS   | EVERY 50 HOURS | EVERY SEASON |
| Check Engine Oil Level                              | ✓               | ✓             |                  |                |              |
| Change Engine Oil                                   |                 |               | ✓ <sub>1,2</sub> |                |              |
| Oil Pivot Points                                    |                 | ✓             |                  |                |              |
| Inspect Spark Arrester / Muffler                    |                 |               | ✓                |                |              |
| Inspect Air Screen                                  | ✓               |               |                  |                |              |
| Clean or Replace Air Cleaner Cartridge              |                 |               | ✓ <sub>2</sub>   |                |              |
| Clean Engine Cylinder Fins                          |                 |               | ✓                |                |              |
| Replace Spark Plug                                  |                 |               | ✓                |                |              |
| RH Gear Case Grease Fitting (1oz.)                  |                 |               |                  | ✓              |              |

1 - Change more often when operating under a heavy load or in high ambient temperatures.  
 2 - Service more often when operating in dirty or dusty conditions.

## GENERAL RECOMMENDATIONS

The warranty on this tiller does not cover items that have been subjected to operator abuse or negligence. To receive full value from the warranty, the operator must maintain tiller as instructed in this manual. Some adjustments will need to be made periodically to properly maintain your tiller. At least once a season, check to see if you should make any of the adjustments described in the Service and Adjustments section of this manual.

- At least once a year you should replace the spark plug, clean or replace air filter, and check tines and belts for wear. A new spark plug and clean air filter assure proper air-fuel mixture and help your engine run better and last longer.

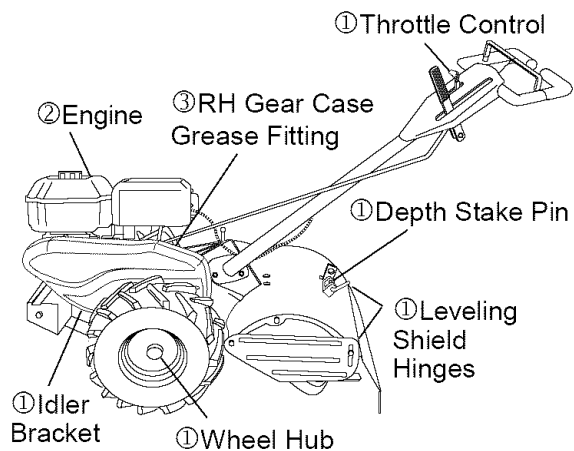
## BEFORE EACH USE

1. Check engine oil level.
2. Check tine operation.
3. Check for loose fasteners.

## LUBRICATION

Keep unit well lubricated (See "LUBRICATION CHART").

## LUBRICATION CHART

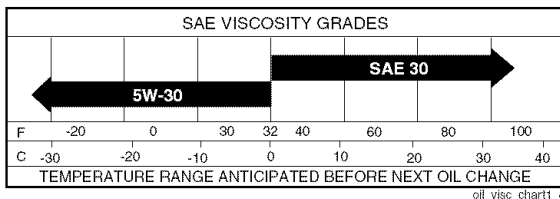


- ① SAE 30 OR 10W-30 Motor Oil
- ② Refer to Maintenance "ENGINE" section
- ③ EP #1 Grease

**⚠ CAUTION:** Disconnect spark plug wire before performing any maintenance (except carburetor adjustment) to prevent accidental starting of engine. Prevent fires! Keep the engine free of grass, leaves, spilled oil, or fuel. Remove fuel from tank before tipping unit for maintenance. Clean muffler area of all grass, dirt, and debris. Do not touch hot muffler or cylinder fins as contact may cause burns.

## ENGINE LUBRICATION

Use only high quality detergent oil rated with API service classification SF-SJ. Select the oil's SAE viscosity grade according to your expected temperature.



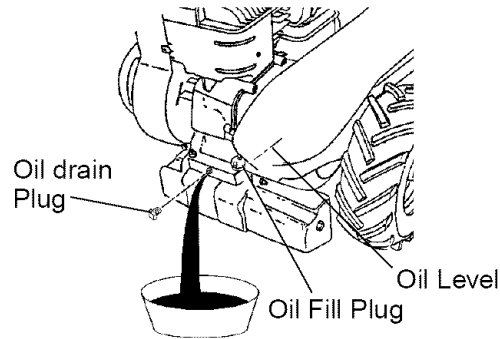
**NOTE:** Although multi-viscosity oils (5W-30, 10W-30, etc.) improve starting in cold weather, they will result in increased oil consumption when used above 32°F (0°C). Check your engine oil level more frequently to avoid possible engine damage from running low on oil. Change the oil after every 25 hours of operation or at least once a year if the tiller is not used for 25 hours in one year. Check the crankcase oil level before starting the engine and after each five (5) hours of continuous use. Add SAE 30 motor oil or equivalent. Tighten oil filler plug securely each time you check the oil level.

### TO CHANGE ENGINE OIL

Determine temperature range expected before oil change. All oil must meet API service classification SF-SJ.

- Be sure tiller is on level surface.
  - Oil will drain more freely when warm.
  - Use a funnel to prevent oil spill on tiller, and catch oil in a suitable container.
1. Remove drain plug.
  2. Tip tiller forward to drain oil.
  3. After oil has drained completely, replace oil drain plug and tighten securely.
  4. Remove oil filler plug. Be careful not to allow dirt to enter the engine.

5. Refill engine with oil. See "CHECK ENGINE OIL LEVEL" in the Operation section of this manual.



### AIR FILTER

Your engine will not run properly using a dirty air filter. Clean the foam pre-cleaner after every 50 hours of operation or every season. Service paper cartridge every 100 hours of operation or every season, whichever occurs first. Service air cleaner more often under dusty conditions.

1. Remove knob and cover. Lift air cleaner assembly off stud.

#### TO SERVICE PRE-CLEANER

2. Remove foam pre-cleaner from air filter.
3. Wash it in liquid detergent and water.
4. Squeeze it dry in a clean cloth.

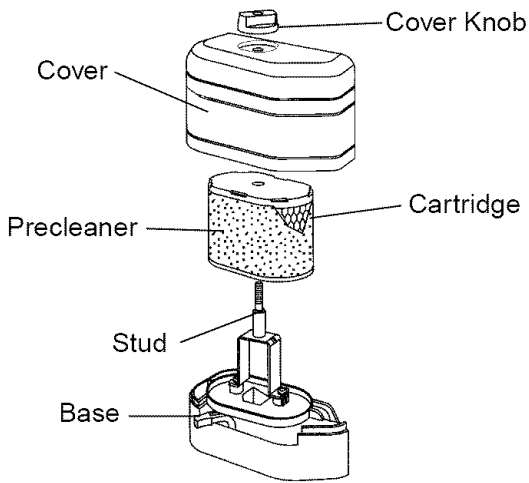
**NOTE:** If very dirty or damaged, replace pre-cleaner.

5. Reinstall pre-cleaner onto air filter.
6. Reinstall cover and secure with knob.

#### TO SERVICE CARTRIDGE

1. Carefully remove cartridge to prevent debris from entering carburetor. Clean base carefully to prevent debris from entering carburetor.
2. Remove foam pre-cleaner from air filter.
3. Clean cartridge by tapping gently on flat surface. If very dirty or damaged, replace cartridge.
4. Reinstall pre-cleaner onto air filter.
5. Reinstall cover and secure with knob.

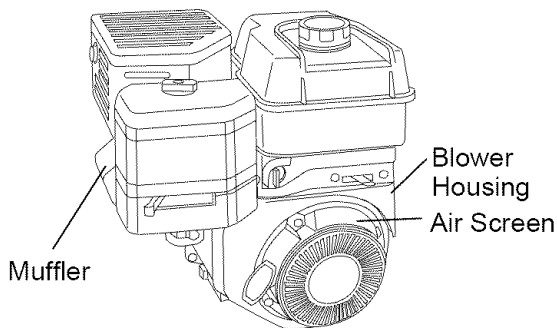
**IMPORTANT:** Petroleum solvents, such as kerosene, are not to be used to clean the cartridge. They may cause deterioration of the cartridge. Do not oil cartridge. Do not use pressurized air to clean or dry cartridge.



## COOLING SYSTEM

Your engine is air cooled. For proper engine performance and long life keep your engine clean.

- Clean air screen frequently using a stiff-bristled brush.
- Keep cylinder fins, levers, and linkage free of dirt and chaff.



## MUFFLER

Do not operate tiller without muffler. Do not tamper with exhaust system. Damaged mufflers or spark arresters could create a fire hazard. Inspect periodically and replace if necessary. If your engine is equipped with a spark arrester screen assembly, remove every 50 hours for cleaning and inspection. Replace if damaged.

## SPARK PLUG

Replace spark plugs at the beginning of each tilling season or after every 50 hours of use, whichever comes first. Spark plug type and gap setting is shown in "PRODUCT SPECIFICATIONS" on page 4 of this manual.

## TRANSMISSION

Once a season, lubricate the right hand gear case grease fitting with 1 oz. of EP #1 grease.

## CLEANING

Do not clean your tiller when the engine and transmission are hot. We do not recommend using pressurized water (garden hose, etc.) to clean your unit unless the gasket area around the transmission and the engine muffler, air filter and carburetor are covered to keep water out. Water in engine will shorten the useful life of your tiller.

- Clean engine, wheels, finish, etc. of all foreign matter.
- Keep finished surfaces and wheels free of all gasoline, oil, etc.
- Protect painted surfaces with automotive type wax.

# SERVICE AND ADJUSTMENTS

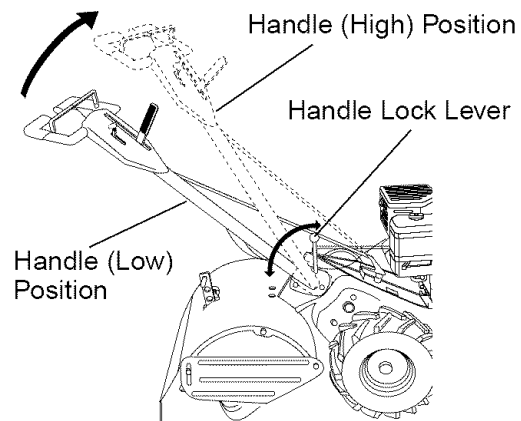
**CAUTION:** Disconnect spark plug wire from spark plug and place wire where it cannot come into contact with plug.

## TILLER

### TO ADJUST HANDLE HEIGHT

Select handle height best suited for your tilling conditions. Handle height will be different when tiller digs into soil.

1. First loosen handle lock lever.
2. Handle can be positioned at different settings between "HIGH" and "LOW" positions.
3. Retighten handle lock lever securely after adjusting.



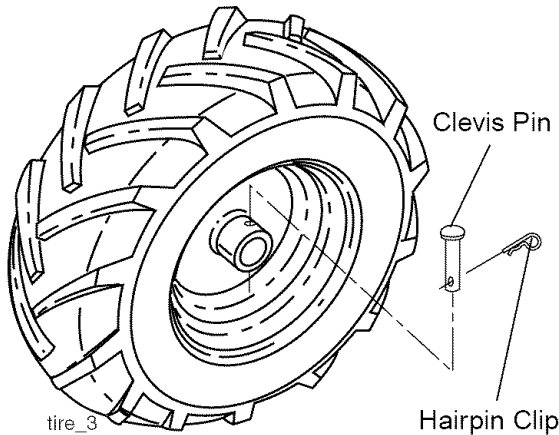
## TIRE CARE

**CAUTION:** When mounting tires, unless beads are seated, overinflation can cause an explosion.

- Maintain 20 pounds of tire pressure. If tire pressures are not equal, tiller will pull to one side.
- Keep tires free of gasoline or oil which can damage rubber.

### TO REMOVE WHEEL

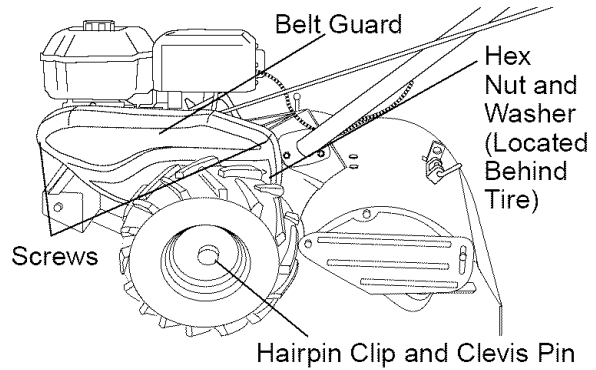
1. Place blocks under transmission to keep tiller from tipping.
2. Remove hairpin clip and clevis pin from wheel.
3. Remove wheel and tire.
4. Repair tire and reassemble.



### TO REMOVE BELT GUARD

**NOTE:** For ease of removal, remove hairpin clip and clevis pin from left wheel. Pull wheel out from tiller about 1 inch.

1. Remove two (2) screws from side of belt guard.
2. Remove hex nut and washer from bottom of belt guard (located behind wheel).
3. Pull belt guard out and away from unit.
4. Replace belt guard by reversing above procedure.



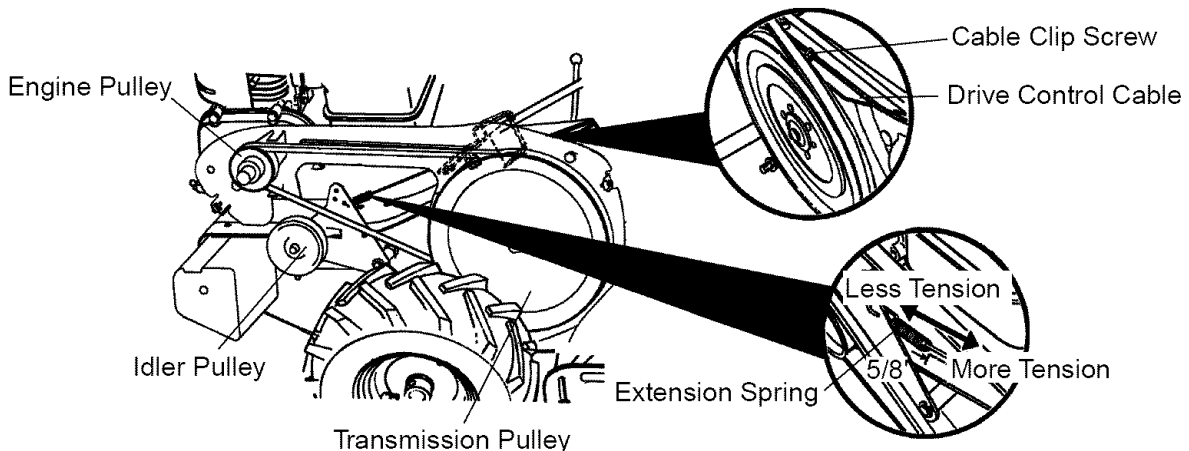
### TO REPLACE GROUND DRIVE BELT

1. Remove belt guard as described in "TO REMOVE BELT GUARD".
2. Remove old belt by slipping off engine pulley first then remove from transmission pulley.
3. Place new belt in groove of transmission pulley and into engine pulley. **BELT MUST BE IN GROOVE ON TOP OF IDLER PULLEY. NOTE POSITION OF BELT TO GUIDES.**
4. Check belt adjustment as described below.
5. Replace belt guard.
6. Reposition wheel and replace clevis pin and hairpin clip.

### GROUND DRIVE BELT ADJUSTMENT

For proper belt tension, the extension spring should have about 5/8 inch stretch when drive control bar is in "ENGAGED" position. This tension can be attained as follows:

1. Loosen cable clip screw securing the drive control cable.
2. Slide cable forward for less tension and rearward for more tension until about 5/8 inch stretch is obtained while the drive control bar is engaged.
3. Tighten cable clip screw securely.



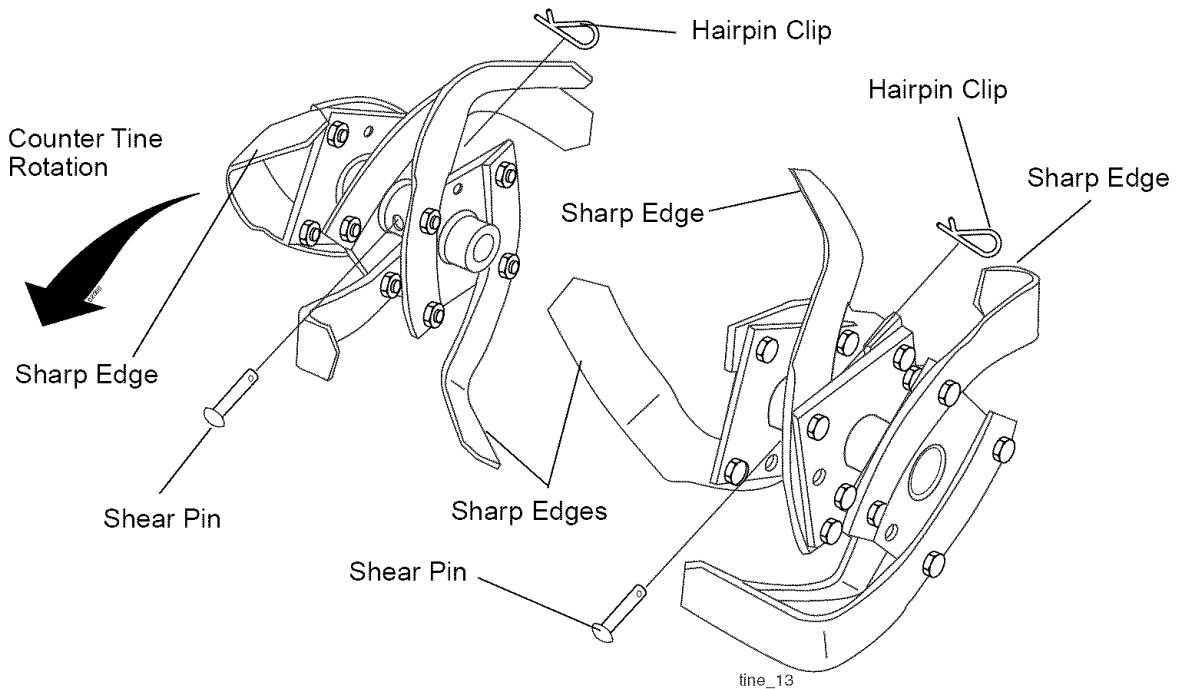
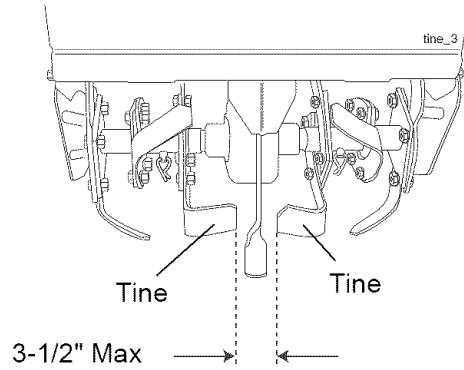
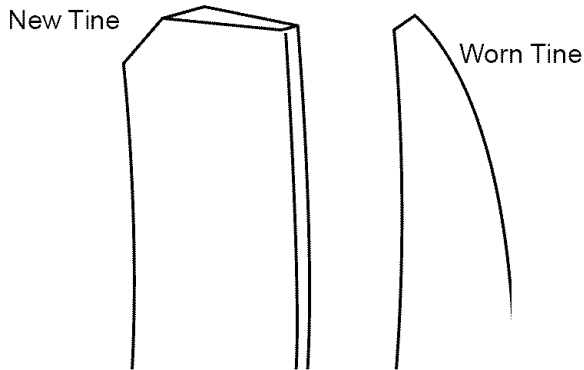


## TINE REPLACEMENT

**CAUTION:** Tines are sharp. Wear gloves or other protection when handling tines.

A badly worn tine causes your tiller to work harder and dig more shallow. Most important, worn tines cannot chop and shred organic matter as effectively nor bury it as deeply as good tines. A tine this worn needs to be replaced.

- To maintain the superb tilling performance of this machine the tines should be checked for sharpness, wear, and bending, particularly the tines which are next to the transmission. If the gap between the tines exceeds 3-1/2 inches they should be replaced or straightened as necessary.
- New tines should be assembled. Sharpened tine edges will rotate rear

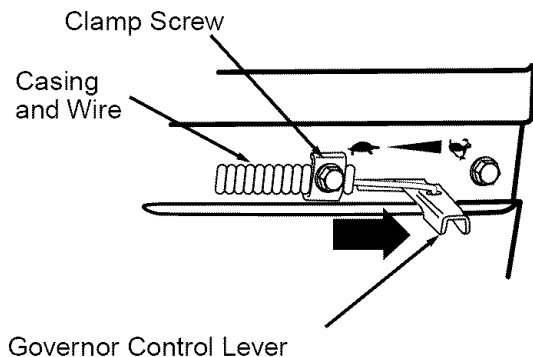


## ENGINE

Maintenance, repair, or replacement of the emission control devices and systems, which are being done at the customer's expense, may be performed by any non-road engine repair establishment or individual. Warranty repairs must be performed by an authorized engine manufacturer's service outlet.

### TO ADJUST THROTTLE CONTROL CABLE

1. The throttle control has been preset at the factory and adjustment should not be necessary. If adjustment is necessary, proceed as follows:
2. With engine not running, move remote throttle control lever to "FAST" position.
3. If throttle lever on engine touches high speed stop, no further adjustment is necessary. If throttle lever does not touch high speed stop, continue with adjustment procedure.
4. Loosen cable clamp screw.
5. Move throttle lever up until it touches high speed stop, and hold in this position.
6. Tighten cable clamp screw securely.



### TO ADJUST CARBURETOR

The carburetor has been preset at the factory and adjustment should not be necessary. However, engine performance can be affected by differences in fuel, temperature, altitude or load. If the carburetor does need adjustment, contact your nearest authorized service center/department. **IMPORTANT:** Never tamper with the engine governor, which is factory set for proper engine speed. Overspeeding the engine above the factory high speed setting can be dangerous. If you think the engine-governed high speed needs adjusting, contact your nearest authorized service center/department, which has the proper equipment and experience to make any necessary adjustments.

# STORAGE

Immediately prepare your tiller for storage at the end of the season or if the unit will not be used for 30 days or more.

**CAUTION:** Never store the tiller with gasoline in the tank inside a building where fumes may reach an open flame or spark. Allow the engine to cool before storing in any enclosure.

## TILLER

1. Clean entire tiller (See "CLEANING" in the Maintenance section of this manual).
2. Inspect and replace belts, if necessary (See belt replacement instructions in the Service and Adjustments section of this manual).
3. Lubricate as shown in the Maintenance section of this manual.
4. Be sure that all nuts, bolts and screws are securely fastened. Inspect moving parts for damage, breakage and wear. Replace if necessary.
5. Touch up all rusted or chipped paint surfaces; sand lightly before painting.

## ENGINE

### FUEL SYSTEM

**IMPORTANT:** It is important to prevent gum deposits from forming in essential fuel system parts such as the carburetor, fuel filter, fuel hose, or tank during storage. Also, alcohol blended fuels (called gasohol or using ethanol or methanol) can attract moisture which leads to separation and formation of acids during storage. Acidic gas can damage the fuel system of an engine while in storage.

- Empty the fuel tank by starting the engine and letting it run until the fuel lines and carburetor are empty.
- Never use engine or carburetor cleaner products in the fuel tank or permanent damage may occur.
- Use fresh fuel next season.

**NOTE:** Fuel stabilizer is an acceptable alternative in minimizing the formation of fuel gum deposits during storage. Add stabilizer to gasoline in fuel tank or storage container. Always follow the mix ratio found on stabilizer container. Run engine at least 10 minutes after adding stabilizer to allow the stabilizer to reach the carburetor. Do not empty the gas tank and carburetor if using fuel stabilizer.

### ENGINE OIL

Drain oil (with engine warm) and replace with clean oil. (See "ENGINE" in the Maintenance section of this manual).

### CYLINDER

1. Remove spark plug.
2. Pour 1 ounce (29 ml) of oil through spark plug hole into cylinder.
3. Pull starter handle slowly several times to distribute oil.
4. Replace with new spark plug.

### OTHER

- Do not store gasoline from one season to another.
- Replace your gasoline can if your can starts to rust. Rust and/or dirt in your gasoline will cause problems.
- If possible, store your unit indoors and cover it to give protection from dust and dirt.
- Cover your unit with a suitable protective cover that does not retain moisture. Do not use plastic. Plastic cannot breathe which allows condensation to form and will cause your unit to rust.

**IMPORTANT:** Never cover tiller while engine and exhaust areas are still warm.

## TROUBLESHOOTING CHART:

See appropriate section in manual unless directed to Sears service center

| <b>PROBLEM</b>        | <b>CAUSE</b>   | <b>CORRECTION</b>   |
|-----------------------|--|---|
| <b>Will not start</b> | <ol style="list-style-type: none"><li>1. Out of fuel.</li><li>2. Engine not "CHOKED" properly.</li><li>3. Engine flooded.</li><li>4. Dirty air cleaner.</li><li>5. Water in fuel.</li><li>6. Clogged fuel tank.</li><li>7. Loose spark plug wire.</li><li>8. Bad spark plug or improper gap.</li><li>9. Carburetor out of adjustment.</li><li>10. Oil soaked air filter.</li></ol>   | <ol style="list-style-type: none"><li>1. Fill fuel tank.</li><li>2. See "TO START ENGINE" in the Operation section.</li><li>3. Wait several minutes before attempting to start.</li><li>4. Clean or replace air cleaner cartridge.</li><li>5. Empty fuel tank and carburetor, and refill tank with fresh gasoline.</li><li>6. Remove fuel tank and clean.</li><li>7. Make sure spark plug wire is seated properly on plug.</li><li>8. Replace spark plug or adjust gap.</li><li>9. Make necessary adjustments.</li><li>10. Replace air filter.</li></ol>  |
| <b>Hard to start</b>  | <ol style="list-style-type: none"><li>1. Throttle control not set properly.</li><li>2. Dirty air cleaner.</li><li>3. Bad spark plug or improper gap.</li><li>4. Stale or dirty fuel.</li><li>5. Loose spark plug wire.</li><li>6. Carburetor out of adjustment.</li></ol>  | <ol style="list-style-type: none"><li>1. Place throttle control in "FAST" position.</li><li>2. Clean or replace air cleaner cartridge.</li><li>3. Replace spark plug or adjust gap.</li><li>4. Empty fuel tank and refill tank with fresh, clean gasoline.</li><li>5. Make sure spark plug wire is seated properly on plug.</li><li>6. Make necessary adjustments.</li></ol>  |
| <b>Loss of power</b>  | <ol style="list-style-type: none"><li>1. Engine is overloaded.</li><li>2. Dirty air cleaner.</li><li>3. Low oil level/dirty oil.</li><li>4. Faulty spark plug.</li><li>5. Oil in fuel.</li><li>6. Stale or dirty fuel.</li><li>7. Water in fuel.</li><li>8. Clogged fuel tank.</li><li>9. Spark plug wire loose.</li><li>10. Dirty engine air screen.</li><li>11. Dirty/clogged muffler.</li><li>12. Carburetor out of adjustment.</li><li>13. Poor compression.</li></ol> | <ol style="list-style-type: none"><li>1. Set depth stake and wheels for shallower tilling.</li><li>2. Clean or replace air cleaner cartridge.</li><li>3. Check oil level/change oil.</li><li>4. Clean and regap or change spark plug.</li><li>5. Empty and clean fuel tank and refill, and clean carburetor.</li><li>6. Empty fuel tank and refill tank with fresh, clean gasoline.</li><li>7. Empty fuel tank and carburetor, and refill tank with fresh gasoline.</li><li>8. Remove fuel tank and clean.</li><li>9. Connect and tighten spark plug wire.</li><li>10. Clean engine air screen.</li><li>11. Clean/replace muffler.</li><li>12. Make necessary adjustments.</li><li>13. Contact a Sears or other qualified service center.</li></ol> |

**TROUBLESHOOTING CHART:**

See appropriate section in manual unless directed to Sears service center

| <b>PROBLEM</b>   | <b>CAUSE</b>   | <b>CORRECTION</b>  |
|--|--|--|
| <b>Engine overheats</b>                                | <ol style="list-style-type: none"><li>1. Low oil level/dirty oil.</li><li>2. Dirty engine air screen.</li><li>3. Dirty engine.</li><br/><li>4. Partially plugged muffler.</li><li>5. Improper carburetor adjustment.</li></ol> | <ol style="list-style-type: none"><li>1. Check oil level/change oil.</li><li>2. Clean engine air screen.</li><li>3. Clean cylinder fins, air screen, muffler area.</li><li>4. Remove and clean muffler.</li><li>5. Adjust carburetor to richer position.</li></ol> |
| <b>Excessive bounce/difficult handling</b>             | <ol style="list-style-type: none"><li>1. Ground too dry and hard.</li></ol>  | <ol style="list-style-type: none"><li>1. Moisten ground or wait for more favorable soil conditions.</li></ol>  |
| <b>Soil balls up or clumps</b>                         | <ol style="list-style-type: none"><li>1. Ground too wet.</li></ol>   | <ol style="list-style-type: none"><li>1. Wait for more favorable soil conditions.</li></ol>  |
| <b>Engine runs but tiller won't move</b>               | <ol style="list-style-type: none"><li>1. Tine control is not engaged.</li><li>2. V-belt not correctly adjusted.</li><li>3. V-belt is off pulley(s).</li></ol>  | <ol style="list-style-type: none"><li>1. Engage tine control.</li><li>2. Inspect/adjust V-belt.</li><li>3. Inspect V-belt.</li></ol>   |
| <b>Engine runs but labors when tilling</b>             | <ol style="list-style-type: none"><li>1. Tilling too deep.</li><li>2. Throttle control not properly adjusted.</li><li>3. Carburetor out of adjustment.</li></ol>   | <ol style="list-style-type: none"><li>1. Set depth stake for shallower tilling.</li><li>2. Check throttle control setting.</li><li>3. Make necessary adjustments.</li></ol>  |
| <b>Tines Skip over ground</b>                          | <ol style="list-style-type: none"><li>1. Shear pin (s) broken.</li></ol>   | <ol style="list-style-type: none"><li>1. Replace shear pin(s).</li></ol>   |
| <b>Hard to Shift into gear</b>                         | <ol style="list-style-type: none"><li>1. Gears not timed.</li></ol>  | <ol style="list-style-type: none"><li>1. Briefly engage drive control bar and release or rock tiller forward and backward until are able to shift gears.</li></ol>   |
| <b>Tiller shuts off when drive control bar engaged</b> | <ol style="list-style-type: none"><li>1. Shift lever set in between counter rotating till position and forward rotating till position.</li><li>2. Tines jammed.</li></ol>  | <ol style="list-style-type: none"><li>1. Shift to either counter rotating till position or forward rotating till position.</li><li>2. Clear tines.</li></ol>   |

## TABLA DE CONTENIDOS

|                                     |    |                                   |                  |
|-------------------------------------|----|-----------------------------------|------------------|
| Reglas de Seguridad.....            | 22 | Programa de Mantenimiento .....   | 33               |
| Garantía.....                       | 22 | Servicio y Ajustes .....          | 35               |
| Especificaciones del producto ..... | 24 | Almacenamiento.....               | 39               |
| Montaje/Pre Operación.....          | 25 | Identificación de Problemas ..... | 40               |
| Operación.....                      | 28 | Vea el Manual Inglés .....        | Inglés del Dueño |
| Mantenimiento.....                  | 33 |                                   |                  |

## GARANTÍA

### GARANTIA LIMITADA DE DOS AÑOS PARA LA CULTIVADORA CRAFTSMAN

Por dos (2) años, a partir de la fecha de compra, cuando esta Cultivadora Craftsman se mantenga, lubrique y afine según las instrucciones para la operación y el mantenimiento en el manual del dueño, Sears reparará, gratis, todo defecto en el material y la mano de obra.

Esta Garantía no cubre:

- Artículos que se desgastan durante el uso normal tales como los brazos, las bujías, los filtros de aire y las correas.
- Reparaciones necesarias debido al abuso o a la negligencia del operador, incluyéndose a los cigüeñales doblados y a la falta de mantenimiento del equipo según las instrucciones que se incluyen en el manual del dueño.
- Si la Cultivadora Craftsman se usa para fines de arriendo, esta garantía se aplica solamente por treinta (30) treintadías a partir de la fecha de compra.

El Servicio de Garantía esta disponible al devolver la cultivadora Craftsman al centro/departamento de servicio Sears más cercano en los estados unidos.

Esta Garantía se aplica solamente mientras el producto este en uso en los estados unidos. Esta Garantía le otorga derechos legales especificos, y puede que también tenga otros derechos que varían de estado a estado.

SEARS, ROEBUCK AND CO., D/817WA, HOFFMAN ESTATES, IL 60179 U.S.A.

## REGLAS DE SEGURIDAD

**IMPORTANTE:** Esta Maquina cortadora es capaz de amputar las manos y los pies y de lanzar objetos. si no se observan las instrucciones de seguridad siguientes se pueden producir lesiones graves o la muerte.

### ENTRENAMIENTO

- Lea el Manual del Dueño cuidadosamente. Familiarícese completamente con los controles y con el uso adecuado del equipo. Sepa cómo parar la unidad y desenganchar los controles rápidamente.
- Nunca permita que los niños operen el equipo. Nunca permita que los adultos operen el equipo sin los conocimientos adecuados.
- Mantenga el área de operación despejada de personas, especialmente niños pequeños y animales domésticos.

### PREPARACIÓN

- Inspeccione cuidadosamente el área en donde se va usar el equipo y remueva los objetos extraños.
- Desenganche todos los embragues y cambie a neutro antes de hacer arrancar el motor.
- No opere el equipo sin usar ropa exterior adecuada. Use zapatos que mejoren el equilibrio en superficies resbalosas.
- Maneje el combustible con cuidado pues es muy inflamable.
- Use un envase de combustible aprobado.

- Nunca añada combustible a un motor en funcionamiento o caliente.
- Llene el estanque de combustible afuera con mucho cuidado. Nunca llene el estanque de combustible en un recinto cerrado.
- Vuelva a colocar la tapa del depósito de gasolina en forma segura y limpie el combustible derramado antes de volver a arrancar.
- Use cordones de extensión y receptáculos, según las especificaciones del fabricante, para todas las unidades con motores de impulsión o con motores de arranque eléctrico.
- Nunca trate de hacer ningún ajuste mientras que el motor esté funcionando (excepto en los casos específicamente recomendados por el fabricante).

### OPERACIÓN


- No ponga ni las manos ni los pies cerca o debajo de las piezas rotatorias.
- Tenga mucho cuidado cuando opere o cruce entradas para automóviles de ripio, senderos o caminos. Esté alerta en lo que se refiere a los peligros escondidos o al tráfico. No lleve pasajeros.


## REGLAS DE SEGURIDAD


- Después de pegarle a un objeto extraño, pare el motor, remueva el alambre de la bujía, inspeccione la cultivadora cuidadosamente, para verificar si hay daños, y repare el daño antes de volver a arrancar y operar la cultivadora.
- Tenga cuidado para evitar resbalarse o caerse.
- Si la unidad empieza a vibrar anormalmente, pare el motor y revísela inmediatamente para verificar la causa. La vibración normalmente es un aviso de problemas.
- Pare el motor cuando abandone la posición de operación.
- Tome todas las precauciones posibles cuando deje la máquina desatendida. Desenganche los brazos, cambie a neutro y pare el motor.
- Antes de limpiar, reparar e inspeccionar, apague el motor y asegúrese que todas las partes en movimiento se han detenido. Desconecte el alambre de la bujía, y manténgalo alejado de ésta para evitar el arranque por accidente. Desconecte el cordón en los motores eléctricos.
- No haga funcionar el motor en recintos cerrados; los gases de escape son peligrosos.
- Nunca opere la cultivadora sin las protecciones, y las planchas adecuadas y sin los demás dispositivos de seguridad en su lugar.
- Mantenga a los niños y a los animales domésticos alejados.
- No sobrecargue la capacidad de la máquina, tratando de cultivar a mucha profundidad, muy rápido.
- Nunca opere la máquina a altas velocidades en superficies resbalosas. Mire hacia atrás y tenga cuidado cuando retroceda.
- Nunca permita la presencia de espectadores cerca de la unidad.
- Use solamente accesorios y aditamentos para la cultivadora aprobados por el fabricante.
- Nunca opere la cultivadora sin buena visibilidad o luz.
- Tenga cuidado al cultivar en terreno duro. Los brazos pueden quedarse agarrados en el suelo e impulsar a la cultivadora hacia adelante. Si esto sucede, suelte los mangos y no restrinja la máquina.

### MANTENIMIENTO Y ALMACENAMIENTO

- Mantenga los accesorios y aditamentos de la máquina en buenas condiciones para el funcionamiento.
- Revise las clavijas de seguro, los pernos de montaje del motor y otros pernos, a intervalos frecuentes, para verificar si están apretados en forma segura y asegurarse que el equipo esté en buenas condiciones de funcionamiento.
- Nunca guarde la máquina con combustible en el estanque de combustible dentro de un edificio en donde hay fuentes de ignición presentes, tales como calentadores de agua o del ambiente, secadoras de ropa u otros artefactos parecidos. Permita que se enfríe el motor antes de guardarlo en algún lugar cerrado.
- Siempre refiérase a las instrucciones en la guía del operador para ver los detalles de importancia si la cultivadora va a ser guardada por un período de tiempo largo.

 Busque este símbolo que señala las precauciones de seguridad de importancia. Quiere decir – ¡¡¡ATENCIÓN!!! ¡¡¡ESTE ALERTO!!! SU SEGURIDAD ESTA COMPROMETIDA.

 **PRECAUCIÓN:** Siempre desconecte el alambre de la bujía y póngalo donde no pueda entrar en contacto con la bujía, para evitar el arranque por accidente, durante la preparación, el transporte, el ajuste o cuando se hacen reparaciones.

 **ADVERTENCIA:** El tubo de escape del motor, algunos de sus constituyentes y algunos componentes del vehículo contienen o desprenden productos químicos conocidos en el Estado de California como causa de cáncer y defectos al nacimiento u otros daños reproductivos.

## ESPECIFICACIONES DEL PRODUCTO

|   |  |
|---|--|
| Capacidad de gasolina:                    | 4 Cuartos<br>Sin plomo, regular                              |
| Aceite(API-SG-SL);<br>(Capacidad: 19 oz.) | SAE 30 (Sobre 40°F)<br>SAE 5w-30 SAE 10w-30<br>(Debajo 40°F) |
| Bujía :<br>(Abertura: 0,030")             | Champion RC12YC  |

**FELICITACIONES** por la compra de su Cultivadora Sears. Ha sido diseñada, planificada y fabricada para darle la mejor confiabilidad y el mejor rendimiento posible.

En el caso de que se encuentre con cualquier problema que no pueda solucionar fácilmente, haga el favor de ponerse en contacto con su centro de servicio cualificado. Sears cuenta con técnicos bien capacitados y competentes con herramientas adecuadas para darle servicio o para reparar su unidad.

Haga el favor de leer y de guardar este manual. Estas instrucciones le permitirán montar y mantener su cultivadora en forma adecuada. Siempre observe las "REGLAS DE SEGURIDAD."

### RESPONSABILIDADES DEL CLIENTE

- Lea y observe las reglas de seguridad.
- Siga un programa regular de mantenimiento, cuidado y uso de su cultivadora.
- Siga las instrucciones descritas en las secciones "Mantenimiento" y "Almacenamiento" de este Manual del Dueño.

**⚠️ ADVERTENCIA:** Esta unidad viene equipada con un motor de combustión interno y no se debe usar sobre, o cerca, de un terreno no desarrollado cubierto de bosques, de arbustos o de césped, a menos que el sistema de escape del motor venga equipado con un amortiguador de chispas que cumpla con las leyes locales o estatales (si existen). Si se usa un amortiguador de chispas, el operador debe mantenerlo en condiciones de trabajo eficientes.

En el estado de California, la ley exige lo anterior (Sección 4442 del "California Public Resources Code" [Decreto de Recursos Públicos de California]). Otros estados pueden contar con otras leyes parecidas. Las leyes federales se aplican en las tierras federales. Su centro de Servicio más cercano tiene disponible amortiguadores de chispas para el silenciador. (Vea la sección de Partes de Repuesto en el manual Inglés del dueño.)

## ACUERDOS DE PROTECCIÓN PARA LA REPARACIÓN

Congratulaciones por su buena compra. Su nuevo producto Craftsman® está diseñado y fabricado para funcionar de modo fiable por muchos años. Pero como todos los productos, puede necesitar alguna reparación de tanto en tanto. En este caso tener un Acuerdo de Protección para la Reparación puede hacerles ahorrar dinero y fastidios.

Compre ahora un Acuerdo de Protección para la Reparación y protéjese de molestias y gastos inesperados.

Un Acuerdo incluye los puntos siguientes:

- **Servicio experto** de nuestros 12.000 especialistas profesionales en la reparación.
- **Servicio ilimitado sin cargo alguno** para las partes y la mano de obra sobre todas las reparaciones garantizadas.
- **Sustitución del producto** si su producto garantizado no puede ser arreglado.
- **Descuento del 10%** sobre el precio corriente del servicio y de las partes relativas al servicio no cubiertas por el acuerdo; también el 10% menos sobre el precio corriente de un control de mantenimiento preventivo.
- **Ayuda rápida por teléfono** – soporte telefónico por parte de un técnico Sears sobre productos que requieren un arreglo en casa, y además una programación sobre los arreglos más convenientes.

Cuando se ha comprado el Acuerdo, basta con una llamada telefónica para programar el servicio. Puede llamar cuando quiera, día y noche o fijar en línea una cita para obtener el servicio. Sears tiene más de 12.000 especialistas profesionales en la reparación, que tienen acceso a más de 4.5 millones de partes y accesorios de calidad.

Este es el tipo de profesionalidad con que puede contar para ayudar a alargar la vida del producto que acaba de comprar, por muchos años. ¡Compre hoy su Acuerdo de Protección para la Reparación!

**Se aplican algunas limitaciones y exclusiones. Para conocer los precios y tener más Información, llame al 1-800-827-6655.**

### SERVICIO DE INSTALACIÓN SEARS


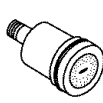

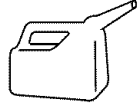


*Para la instalación profesional Sears de aparatos de casa, puertas de garaje, calentadores de agua y otros importantes artículos para la casa, en U.S.A llamar a 1-800-4-MY-HOME®*



# ACCESORIOS Y ADITAMENTOS

Estos accesorios estaban disponibles cuando se produjo la cultivadora. También están disponibles en la mayoría de las tiendas de Sears y en los centros de servicio. Algunos de estos accesorios tal vez no se apliquen a su cultivadora.




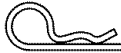
## MOTOR

| BUJÍA   | SILENCIADOR   | FILTRO DE AIRE  | LATA DE GASOLINA  | ACEITE DEL MOTOR  | ESTABILIZADOR   |
|---|---|---|---|---|---|
|  |  |  |  |  |  |

## RENDIMIENTO DE LA CULTIVADORA

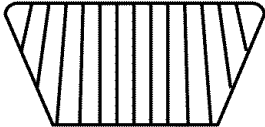
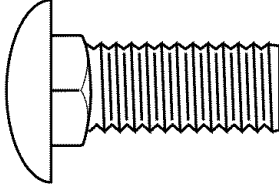
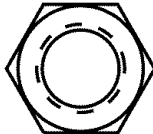
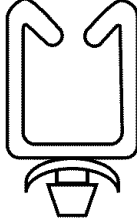
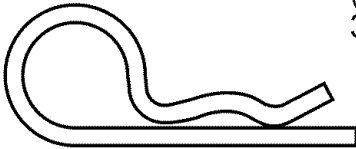
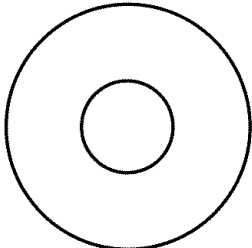
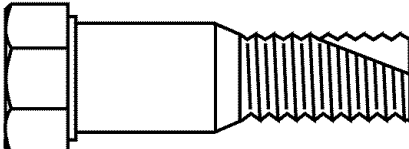
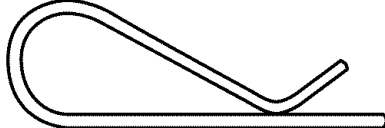
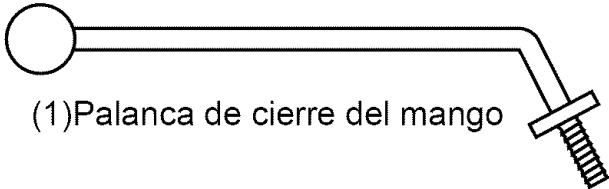
| ABRIDOR DE SURCOS   |
|---|
|  |

## MANTENIMIENTO DE LA CULTIVADORA

| CORREA  | BRAZOS  | CLAVIJA DE SEGURO   | ABRAZADERA DE HORQUILLA   |
|---|---|---|---|
|  |  |  |  |

# PIEZAS SIN MONTAR

## CONTENIDO DEL CONJUNTO DE FERRETERÍA

|   |  |  |   |
|---|--|--|---|
|  |   |  |  |
| (2) Cierres del mango   | (1) Perno portadores<br>3/8-16 UNC x 1 clase 5                                       | (1) Tuerca de seguridad<br>de centro<br>3/8-16 UNC                                   | (1) Abrazadera<br>de cable  |
|  |   |  |   |
| (1) Abrazaderas de<br>horquilla   | (1) Arandela plana<br>13/32 x 1 x 11 Ga.   | (1) Perno articulado<br>3/8-16 UNC Clase 5   |   |
|  |  |  |   |
| (2) Clavijade seguro<br>& retencion   | (1) Palanca de cierre del mango  |  |   |

# MONTAJE/PRE OPERACIÓN

Su cultivadora nueva ha sido montada en la fábrica, con la excepción de aquellas partes que se dejaron sin montar por razones de envío. Para asegurarse que la cultivadora operará en forma segura y adecuada, todas las partes y los artículos de ferretería que monte tienen que estar apretados en forma segura. Use las herramientas correctas, según sea necesario, para asegurarse de que queden apretadas en forma segura.

## HERRAMIENTAS NECESARIAS PARA EL MONTAJE

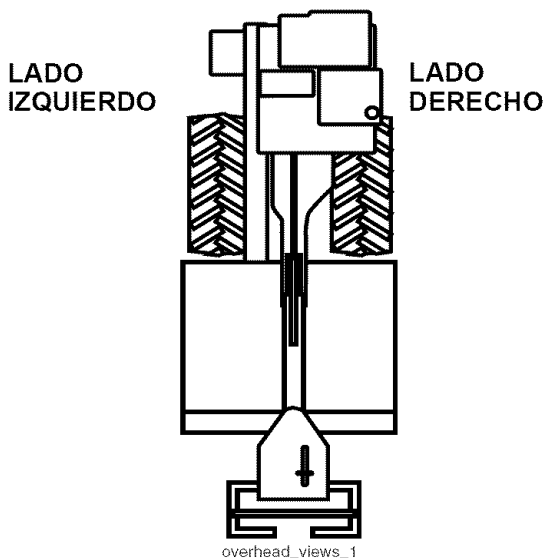
Se le facilitará el montaje si cuenta con un juego de llaves de tubo. Se han enumerado los tamaños estándar de las llaves.

- (1) Cuchillo para todo uso
- (1) Cortador de alambres
- (1) Destornillador
- (1) Medidor de presión de las llantas
- (1) Par de alicates
- (1) Llave de 9/16"

## POSICIÓN DEL OPERADOR

Cuando en este manual se mencionan los términos "lado derecho" o "lado izquierdo" se refiere a cuando usted se encuentra en la posición de operación (parado/a detrás de los mangos de la cultivadora).

### PARTE DELANTERA



### POSICIÓN DEL OPERADOR

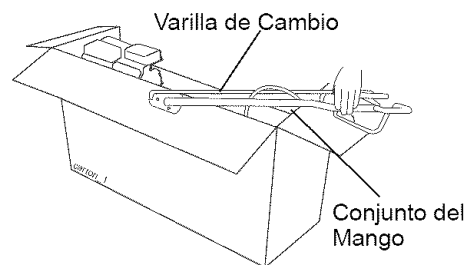
## DESEMPAQUE DE LA CAJA DE CARTÓN

**⚠️ PRECAUCIÓN:** Tenfa cuidado con las grapas expuestas cuando maneje o deseche los materiales de la caja de cartón.

**IMPORTANTE:** Cuando desempaque y monte la cultivadora, tenga cuidado de no estirar o enredar los cables.

1. Al mismo tiempo que se sujeta el conjunto del mango, corte las ligaduras del cable que aseguran el conjunto del mango al bastidor superior y a la estaca de profundidad. Permita que el conjunto del mango descansa en la cultivadora.

2. Remueva el bastidor superior de la caja de cartón.
3. Lentamente, saque el conjunto del mango hacia arriba y póngalo en la parte superior de la caja de cartón.
4. Corte la esquina del lado derecho delantera y la trasera de la caja de cartón, tienda en el suelo la pared lateral de la caja de cartón.
5. Remueva el material de empaque del conjunto del mango.
6. Separe la varilla de cambio del conjunto del mango.



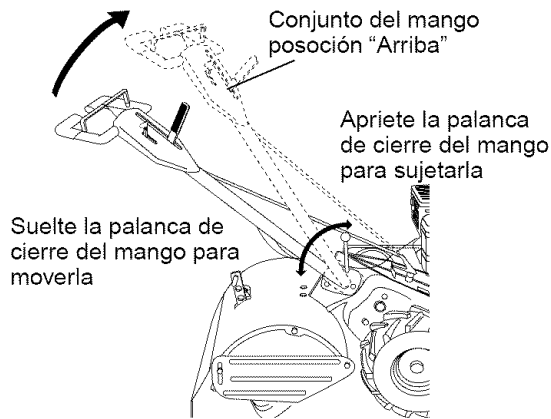
## INSTALACIÓN DEL MANGO

1. Inserte un cierre del mango (con los dientes mirando hacia afuera) en la muesca de la caja de cambio. (Aplique grasa en el lado liso del cierre del mango para ayudar a mantenerlo en su lugar hasta que el conjunto del mango se baje a su posición.)

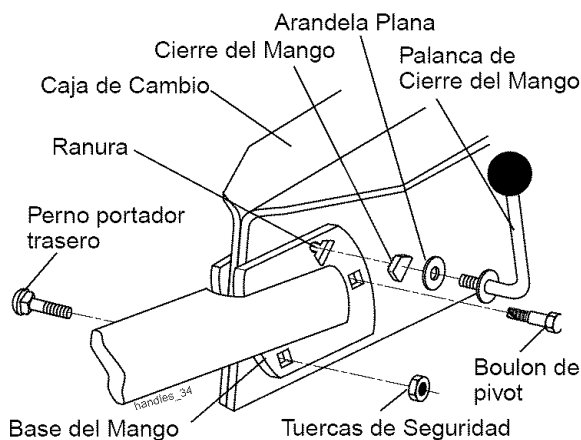
### Vista desde el lado derecho de la cultivadora



2. Agarre el conjunto del mango. Manténgalo en la posición "arriba." Asegúrese que el cierre del mango permanezca en la muesca de la caja de cambio. Deslice el conjunto del mango a su posición.
3. Rote el conjunto del mango hacia abajo. Inserte el perno portador trasero primero, con la cabeza del perno en el lado izquierdo de la cultivadora y ponga sueltamente la tuerca de seguridad.

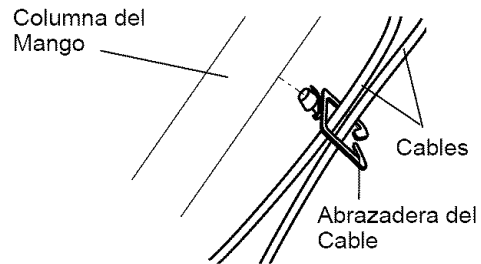


4. Inserte el perno de pivote de la parte delantera de la placa y apriete en forma segura.
5. Corte las esquinas restantes del cartón y póngalas planas.
6. Baje el conjunto de mango. Apriete la tuerca del perno de acarreo para que el mango pueda moverse con alguna resistencia. Esto facilitara el ajuste.
7. Ponga la arandela plana en el extremo roscado de la palanca de cierre del mango.
8. Inserte la palanca de cierre del mango a través de la base del mango y de la caja de engranaje. Atornille la palanca de seguridad del mango, justo lo suficiente como para sujetar la palanca en su lugar.
9. Inserte el segundo cierre del mango (con los dientes hacia adentro) en la ranura en la base del mango (justo dentro de la arandela).
10. Levante el conjunto del mango a la posición mas alta, y apriete la palanca de cierre del mango, en forma segura, rotándola en el sentido de las manillas del reloj. Si se deja el conjunto del mango en la oposición mas alta, será mas fácil conectar la palanca de cambios.



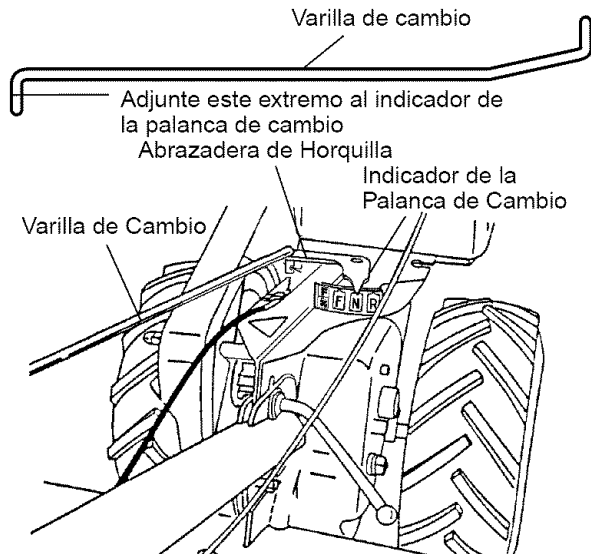
### INSERCIÓN DE LA ABRAZADERA DEL CABLE

- Inserte la abrazadera del cable de plástico dentro del agujero en la parte trasera de la columna del mango. Empuje los cables dentro de la abrazadera.



### CONEXIÓN DE LA VARILLA DE CAMBIO

1. Inserte el extremo de la varilla de cambio que está más alejado de la dobladura, en el agujero del indicador de la palanca de cambio.
2. Inserta la abrazadera de horquilla a través del agujero de la varilla de cambio para asegurarla con la junta de la abrazadera sobre el lado derecho.



### REMOCIÓN DE LA CULTIVADORA DE LA CAJA

1. Ajuste el conjunto del mango a la posición la mas baja. Asegúrese que el mango de cierre esté bien seguro.
2. Asegúrese que el indicador de la palanca de cambio esté en la posición neutro "N".
3. Incline la cultivadora hacia adelante levantando el mango. Separe la cubierta de cartón de la defensa de nivelación.
4. Rote el mango de la cultivadora a la derecha y tírela fuera de la caja de cartón.

### REVISIÓN DE LA PRESIÓN DE LAS LLANTAS

Las llantas en su unidad se inflaron demasiado en la fábrica por razones de envío. Es importante que las llantas tengan la misma presión y que ésta sea la correcta para obtener el mejor rendimiento en el labrado.

- Reduzca la presión de las llantas a 20 PSI.

### ALTURA DEL MANGO

- Se puede ajustar la altura del mango en la mejor forma que le acomode al operador. (Vea "PARA AJUSTAR LA ALTURA DEL MANGO" en la sección de Servicio y Ajustes de este manual.)

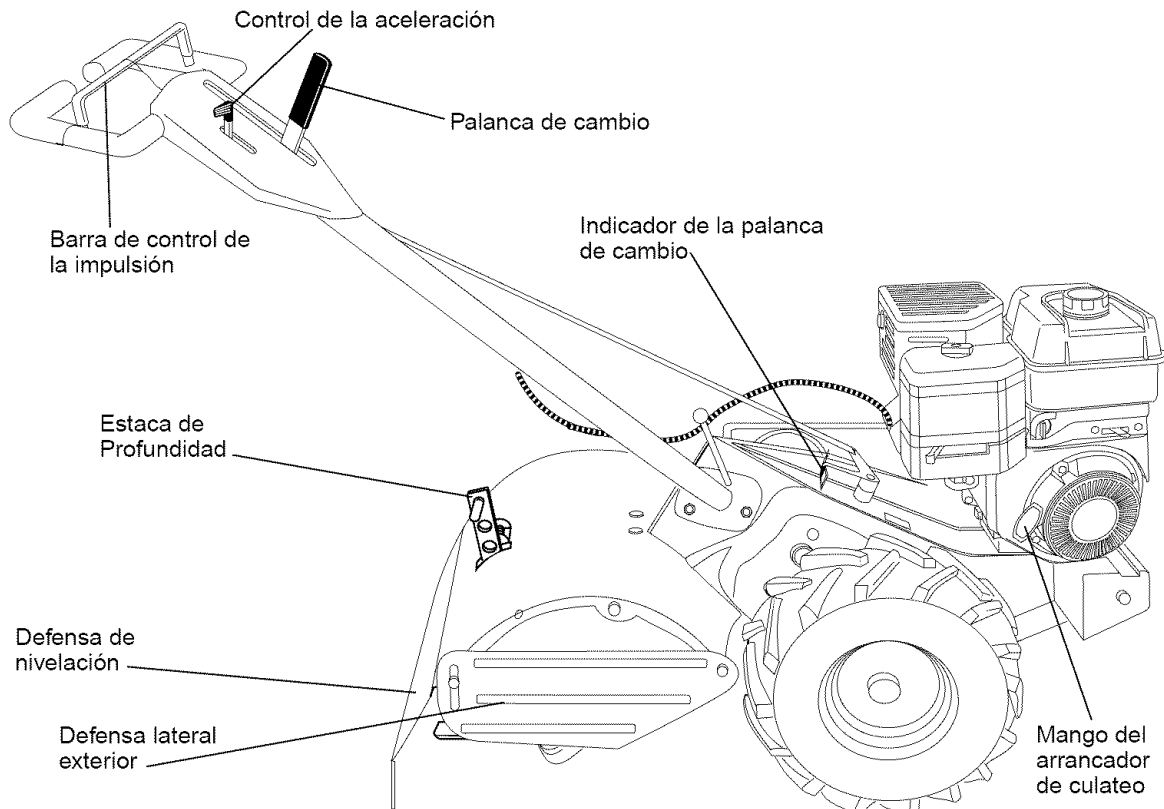
# OPERACIÓN

Estos símbolos pueden aparecer sobre su cultivadora en la literature proporcionada con el producto. aprenda y comprenda sus significados.

## CONOZCA SU CULTIVADORA

LEA ESTE MANUAL DEL DUEÑO Y LAS REGLAS DE SEGURIDAD ANTES DE OPERAR SU CULTIVADORA

Compare las ilustraciones con su cultivadora para familiarizarse con la ubicación de los diversos controles y ajustes. Guarde este manual para futura referencia.



Nuestras cultivadoras cumplen con los estándares de seguridad del American National Standards Institute.

**ESTACA DE PROFUNDIDAD** – Controla la profundidad a la cual excavará la cultivadora.

**BARRA DE CONTROL DE LA IMPULSIÓN** – Se usa para enganchar los brazos.

**DEFENSA DE NIVELACIÓN** – Nivelada el suelo labrado.

**DEFENSA LATERAL EXTERIOR** – Ajustable para no enterrar las plantas pequeñas.

**MANGO DEL ARRANCADOR DE CULATEO** – Se usa para hacer arrancar el motor.

**PALANCA DE CAMBIO** – Se usa para cambiar los engranajes de la transmisión.

**INDICADOR DE LA PALANCA DE CAMBIO** – Muestra en qué cambio de engranaje se encuentra la transmisión.

**CONTROL DE LA ACELERACIÓN** – Controla la velocidad del motor.



La operación de cualquier cultivadora puede hacer que salten objetos extraños dentro de sus ojos, lo que puede producir daños graves en éstos. Siempre use anteojos de seguridad o protecciones para los ojos antes de hacer arrancar su cultivadora o mientras esté labrando con ella. Recomendamos el uso de la máscara de seguridad de visión amplia, para uso sobre los espejuelos o anteojos de seguridad estándar.

## COMO USAR SU CULTIVADORA

Sepa cómo operar todos los controles antes de agregar combustible y aceite o antes de tratar de hacer arrancar el motor.

### PARADA

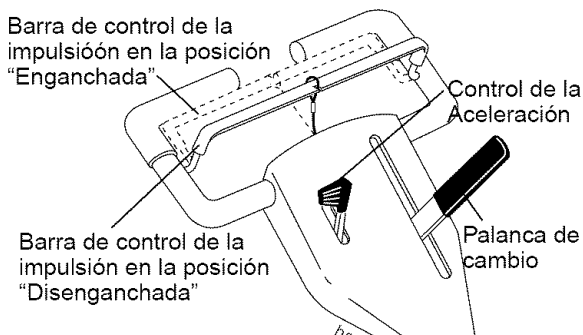
#### BRAZOS Y LA IMPULSIÓN

1. Suelte la barra de control de la impulsión para parar el movimiento.
2. Mueva la palanca de cambio a la posición de neutro ("N").

#### MOTOR

- Mueva el control de la aceleración a la posición de "PARADA" (STOP). Si equipado con un interruptor de parada, mueva el interruptor a la posición de "PARADA" (STOP).

**AVISO:** Nunca use la estrangulación para parar el motor.



## OPERACIÓN DE LOS BRAZOS – CON IMPULSIÓN DE RUEDAS

- Siempre suelte la barra de control de la impulsión antes de mover la palanca de cambio a otra posición.
- El movimiento de los brazos se logra moviendo la palanca de cambio a la posición (2) labrado y enganchando la barra de control de la impulsión.

## MARCHA HACIA ADELANTE – RUEDAS SOLAMENTE/BRAZOS PARADOS

- Suelte la barra de control de la impulsión y mueva el indicador de la palanca de cambio a la posición "F" (marcha hacia adelante). Enganche la barra de control de la impulsión y la cultivadora se moverá hacia adelante.

## MARCHA ATRÁS – RUEDAS SOLAMENTE/BRAZOS PARADOS

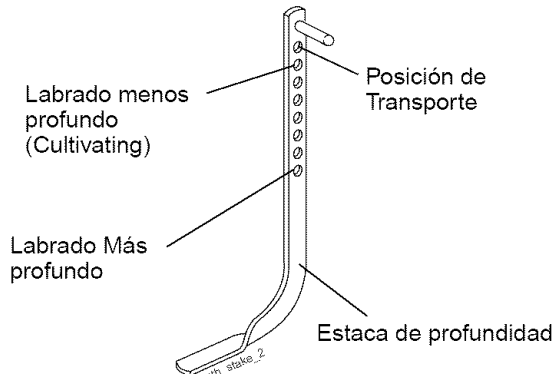
1. NO SE PARE DIRECTAMENTE DETRAS DE LA CULTIVADORA.
2. Suelte la barra de control de la impulsión.
3. Mueva el control de la aceleración a la posición de "LENTO" (SLOW).
4. Mueva el indicador de la palanca de cambio a la posición de "R" (marcha atrás).
5. Sujete la barra de control de la impulsión en contra del mango para hacer arrancar en movimiento a la cultivadora.

## ES DIFÍCIL CAMBIAR LAS MARCHAS

- Enganche lentamente la barra de control de la transmisión y suelte o bascule la cultivadora hacia adelante y hacia atrás hasta que sea posible cambiar las marchas.

## ESTACA DE PROFUNDIDAD

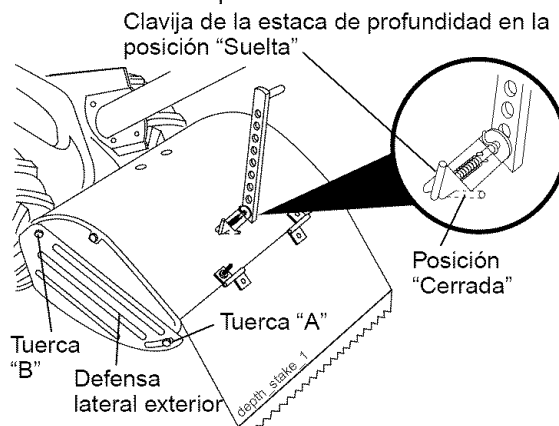
La estaca de profundidad puede levantarse o bajarse para permitirle un labrado más versátil o para facilitar el transporte de su cultivadora.



## LABRADO

1. Suelte la clavija de la estaca de profundidad. Tire la estaca de profundidad hacia arriba para aumentar la profundidad del labrado. Ponga la clavija de la estaca de profundidad en el agujero de la estaca de profundidad para cerrarla en su posición.
2. Ponga el indicador de la palanca de cambio en la (2) posición.
3. Sujete la barra de control de la impulsión en contra del mango para empezar con el movimiento de labración. Tanto los brazos como las ruedas van a girar.
4. Mueva el control de la aceleración a la posición de "RÁPIDO" (FAST) para un labrado profundo. Para cultivar, el control de la aceleración puede ser ajustado a cualquier velocidad deseada, dependiendo de cuán rápido o cuán lento desee hacer el cultivo.

**IMPORTANTE:** Siempre suelte la barra de control de la impulsión antes de mover la palanca de cambio a otra posición.



## GIRO

1. Suelte la barra de control de la impulsión.
2. Mueva el control de la aceleración a la posición de "LENTO" (SLOW).
3. Ponga el indicador de la palanca de cambio en la posición de "F" (marcha hacia adelante). Los brazos no van a girar.
4. Levante el mango para levantar los brazos fuera del suelo.
5. Mueva el mango en la dirección opuesta en la que desea girar, con cuidado de mantener los pies y las piernas alejados de los brazos de la cultivadora.
6. Cuando haya completado su vuelta, suelte la barra de control de la impulsión y baje el mango. Ponga la palanca de cambio en la posición labrado y mueva el control de la aceleración a la velocidad deseada. Para empezar a cultivar, sujete la barra de control de la impulsión en contra del mango.

## DEFENSAS LATERALES EXTERIORES

Los bordes trasero de las defensas laterales exteriores son rasurados de modo que éstas se puedan levantar para hacer un labrado profundo y bajar para uno poco profundo, para evitar enterrar las plantas pequeñas.

1. Suelte la tuerca "A" en la ranura y la tuerca "B".
2. Mueva la defensa a la posición deseada (en ambos lados).
3. Vuelva a apretar las tuercas.

## PARA EL TRANSPORTE

**⚠PRECAUCIÓN:** Antes de levantarla o transportarla, permita que el motor de la cultivadora y el silenciador se enfríen. Desconecte el alambre de la bujía. Drene la gasolina del estanque de combustible.

### EN EL JARDÍN

1. Suelte la clavija de la estaca de profundidad. Mueva la estaca de profundidad hacia abajo, al agujero superior, para transportar la cultivadora. Ponga la clavija de la estaca de profundidad en el agujero de la estaca de profundidad para asegurarla en su lugar. Esto impide que los brazos se arrastren por el suelo.
2. Ponga el indicador de la palanca de cambio en la posición de "F" (marcha hacia adelante) para el transporte.
3. Sujete la barra de control de la impulsión en contra del mango para empezar con el movimiento de la cultivadora. Los brazos no van a girar.
4. Mueva el control de la aceleración a la velocidad deseada.

### EN LA CIUDAD

1. Desconecte el alambre de la bujía.
2. Drene el estanque de combustible.
3. Transpórtela en la posición derecha hacia arriba para evitar la fuga del aceite.

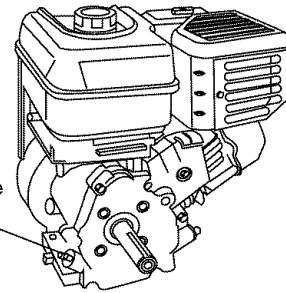
## ANTES DE HACER ARRANCAR EL MOTOR

**IMPORTANTE:** Tenga mucho cuidado de no permitir que entre mugre al motor cuando revise o añada aceite o combustible. Use aceite y combustible limpios y guárdelos en envases aprobados, limpios y con tapa. use embudos para relleno limpios.

## REVISIÓN DEL NIVEL DEL ACEITE DEL MOTOR

El motor en su unidad ha sido enviado desde la fábrica lleno con aceite de calidad para el verano SAE 30.

1. Con el motor nivelado, limpie un área alrededor del tapón del depósito para relleno del aceite y remueva el tapón.
  2. Con el motor nivelado, el aceite del motor debe llegar hasta el punto de derramarse.
- Para verificar la capacidad aproximada vea "ESPECIFICACIONES DEL PRODUCTO" en la página 24 de este manual. Todo el aceite tiene que cumplir la clasificación de servicio API SF o SJ.
  - Para la operación en clima frío, debe cambiarse el aceite para facilitar el arranque (vea la "TABLA DE VISCOSIDAD DEL ACEITE" en la sección de Mantenimiento en este manual).
  - Para cambiar el aceite del motor, vea la sección de Mantenimiento en este manual.



Tapón de depósito de relleno de aceite

## AGREGUE GASOLINA

- Llene el estanque de combustible. Llene hasta la parte inferior del cuello de relleno del estanque de gasolina. No lo llene demasiado. Use gasolina regular, sin plomo, nueva y limpia con el mínimo de 87 octanos. (El uso de gasolina con plomo aumentará los depósitos de óxido de plomo y carbono y se reducirá la duración de la válvula). No mezcle el aceite con la gasolina. Para asegurar que la gasolina utilizada sea fresca compre estanques los cuales puedan ser utilizados durante los primeros 30 días.

**⚠PRECAUCIÓN:** Llene el estanque de combustible hasta dentro de 1/2 pulgada de la parte superior para evitar los derrames y para permitir que se expanda el combustible. Si por casualidad se derrama la gasolina, aleje la máquina del área del derrame. Evite crear cualquier fuente de ignición hasta que se hayan desaparecido los gases de la gasolina. Limpie el aceite o el combustible derramado. No almacene, derrame o use gasolina cerca de una llama expuesta.

**IMPORTANTE:** Cuando se opere en temperaturas por debajo de 32°F (0°C) use gasolina de invierno limpia y nueva para asegurar un buen arranque en clima frío.

**PRECAUCIÓN:** Combustibles mezclados con alcohol (conocidos como gasohol, o el uso de etanol o metanol) pueden atraer la humedad, la que conduce a la separación y formación de ácidos durante el almacenamiento. La gasolina ácida puede dañar el sistema del combustible de un motor durante el almacenamiento. Para evitar los problemas con el motor, se debe vaciar el sistema de combustible antes de guardarlo por un período de 30 días o más. Vacíe el estanque de combustible, haga arrancar el motor y hágalo funcionar hasta que las líneas del combustible y el carburador queden vacíos. La próxima temporada use combustible nuevo. Vea las Instrucciones para el Almacenamiento para más información. Nunca use productos de limpieza para el motor o para el carburador en el estanque del combustible pues se pueden producir daños permanentes.

## PARA HACER ARRANCAR EL MOTOR

**PRECAUCIÓN:** Mantenga la barra de control de la impulsión en la posición "DESENGANCHADO" cuando haga arrancar el motor. Cuando este empezando un motor por la primera vez o si el motor se ha quedado sin gasolina, será necesario varios intentos para mover la gasolina desde el estanque al motor.

1. Asegúrese que el alambre de la bujía esté conectado en forma adecuada y que la válvula de cierre de la gasolina este abierta.
2. Ponga la palanca de cambio a la posición de (NEUTRO) "N".
3. Ponga la palanca de cambio a la posición de "RAPIDO" (FAST).
4. Mueva la válvula de cierre del combustible 1/4 turno para ABRIR.
5. Mueva el control de la estrangulación a la posición de ESTRANGULACIÓN.
6. Agarre el mango del arrancador de culateo con una mano y el mango de la cultivadora con la otra mano. Tire el cordón hacia afuera, lentamente, hasta que el motor llegue al comienzo del ciclo de la compresión (el cordón se sentirá un poco mas duro en este momento).
7. Tire el mango del arrancador de culateo rápidamente. No permita que el mango del arrancador se devuelva abruptamente en contra del arrancador. Vuelva a repetir, si lo es necesario.

**AVISO:** Si el motor se enciende pero no comienza, mueva el control de la estrangulación al medio. Tire del mango del arrancador de retroceso hasta que el motor comience.

8. Cuando comience el motor y al mismo tiempo que se caliente, mueva, lentamente, el control de la estrangulación, a la posición de "MARCHA".

**AVISO:** Un motor caliente requiere menos estrangulación para empezar.

9. Mueva el control de la aceleración a la posición de funcionamiento deseada.

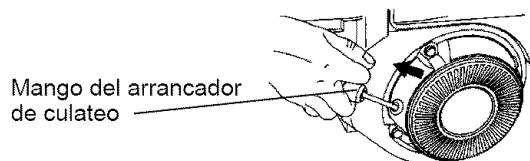
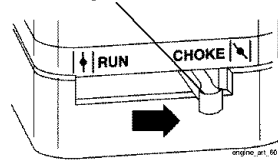
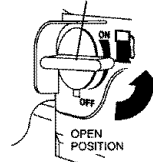
10. Permita que se caliente el motor por unos cuantos minutos antes de enganchar los brazos.

**AVISO:** A mucha altura (sobre 3000 pies) o en climas fríos (debajo de 40° F [4° C]) puede que la mezcla del combustible del carburador necesite ajuste, para obtener el mejor resultado del motor. Vea "PARA AJUSTAR EL CARBURADOR" en la sección de Servicio y Ajustes de este manual.

**AVISO:** Si el motor no arranca, vea la guía de identificación de problemas.

Valvula de corte de combustible

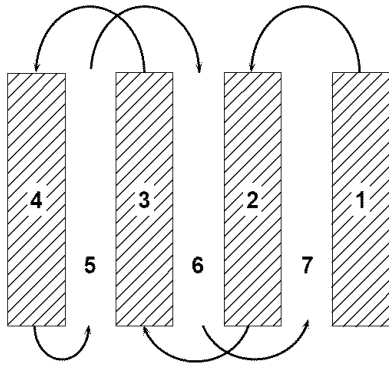
Choke Control de estrangulación



## CONSEJOS PARA LABRAR

**PRECAUCIÓN:** Antes de acostumbrarse a manejar su cultivadora, empiece el uso de ésta en el terreno con la aceleración en la posición de "lento" (SLOW).

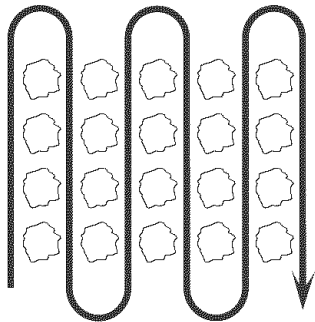
- El labrar quiere decir el excavar, dar vuelta y romper el suelo duro antes de plantar. El suelo suelto y blando permite el desarrollo de las raíces. La mejor profundidad de labrar es 4" a 6". La cultivadora también puede desmenujar el suelo de las malezas indeseables. La descomposición de estas malezas enriquece el suelo. Dependiendo del clima (lluvia o viento), puede ser recomendable labrar el suelo a fines de la temporada de cultivo para acondicionar el suelo aún más.
- Para facilitar el manejo de su cultivadora, deje alrededor de 8 pulgadas de terreno sin labrar entre la primera y la segunda pasada para el labrar. La tercera pasada se hace entre la primera y la segunda.
- Va a descubrir que el labrado se facilita si deja una fila sin labrar entre las pasadas. Entonces vuelva de nuevo entre las filas de cultivo. Hay dos razones para hacer esto. Primero, las vueltas amplias se pueden realizar con más facilidad que las cerradas. Segundo, la cultivadora no estará empujándose a sí misma y a usted hacia la próxima hilera.
- No se afirme en el mango. Esto saca el peso de la ruedas y reduce la tracción. Para atravesar una sección muy difícil de tierra herbosa o de suelo duro, aplique una presión hacia arriba en el mango o baje la estaca de profundidad.



## CULTIVO

El cultivo quiere decir la destrucción de las malezas entre las hileras, para evitar que éstas le roben la nutrición y la humedad a las plantas. Al mismo tiempo, si se rompe la capa superior de la costra del suelo, éste puede retener la humedad. La mejor profundidad de excavación es de 1" a 3". Baje las defensas laterales exteriores para evitar enterrar las plantas pequeñas.

- Cultive hacia arriba y hacia abajo las hileras a una velocidad que le permita a los brazos sacar las raíces de las malezas y dejar el suelo en condiciones ásperas, para desalentar el desarrollo de las malezas y el césped.



## CLAVIJAS DE SEGURO

Los conjuntos de los brazos de su cultivadora están afirmados en eje de los brazos por medio de clavijas de seguro (vea "CAMBIO DE LOS BRAZOS" en la sección de Servicio y Ajustes de este manual).

Si la cultivadora está muy cargada o atascada, las clavijas de seguro han sido diseñadas para que se quiebren antes de que se produzcan daños internos en la transmisión.

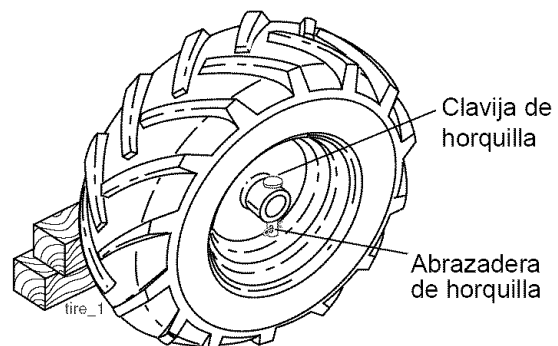
- Si las clavijas de seguro se quiebran, cámbielas solamente por aquellas que aparecen en la sección de Partes de Repuesto en el manual Inglés del dueño.

## AJUSTE DE LAS RUEDAS PARA EL CULTIVO

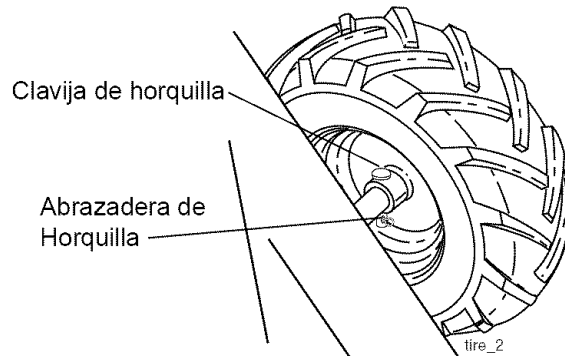
1. Ponga bloques debajo del lado derecho de la cultivadora y remueva la abrazadera de horquilla y la clavija de horquilla de la rueda del lado derecho.
2. Mueva la rueda hacia afuera, aproximadamente 1 pulgada, hasta que el agujero en el cubo de la rueda interior se alinee con el agujero interior en el eje.
3. Vuelva a colocar la clavija de horquilla y la abrazadera de horquilla en la parte interior de la rueda y remueva los bloques.
4. Repita los pasos anteriores para el lado izquierdo.

**AVISO:** En condiciones muy difíciles cuando se cultiva, las ruedas tienen que moverse hacia afuera en el eje para aumentar la estabilidad.

### VISTA EXTERIOR DE LA LLANTA



### VISTA INTERIOR DE LA LLANTA





# MANTENIMIENTO

| PROGRAMA DE MANTENIMIENTO  | FECHAS DE SERVICIO |              |                  |               |                |
|--|--------------------|--------------|------------------|---------------|----------------|
|  | ANTES DE CADA USO  | CADA 5 HORAS | CADA 25 HORAS    | CADA 50 HORAS | CADA TEMPORADA |
| LLENE LAS FECHAS DE MEDIDA QUE COMPLETE SU SERVICIO REGULAR      |                    |              |                  |               |                |
| Revisar el nivel del aceite del motor                            | ✓                  | ✓            |                  |               |                |
| Cambiar el aceite del motor                                      |                    |              | ✓ <sub>1,2</sub> |               |                |
| Aceitar los puntos de pivote                                     |                    | ✓            |                  |               |                |
| Inspeccionar el supresor del silenciador                         |                    |              | ✓                |               |                |
| Inspeccionar la rejilla de aire                                  | ✓                  |              |                  |               |                |
| Limpiar/cambiar el cartucho del filtro de aire                   |                    |              | ✓ <sub>2</sub>   |               |                |
| Limpiar las aletas del cilindro del motor                        |                    |              | ✓                |               |                |
| Cambiar la bujía   |                    |              | ✓                |               |                |
| Raccord de graisse du côté droit de la boîte de vitesse (1 onza) |                    |              |                  | ✓             |                |

- 1- Cambiar más menudo cuando se opere bajo carga pesada o en ambientes con altas temperaturas.  
 2- Dar servicio más a menudo cuando se opere en condiciones sucias o polvorosas

## RECOMENDACIONES GENERALES

La garantía de esta cultivadora no cubre los artículos que han estado sujetos al abuso o a la negligencia del operador. Para recibir todo el valor de la garantía, el operador tiene que mantener la cultivadora según las instrucciones descritas en este manual. Hay algunos ajustes que se tienen que hacer en forma periódica para poder mantener su cultivadora adecuadamente. Al menos una vez cada estación comprobar si es necesario efectuar los ajustes descritos en las secciones de Servicio y Ajustes de este manual.

• Una vez al año, cambie la bujía, limpie o cambie el filtro de aire y revise si los brazos y las correas están desgastadas. Una bujía nueva y un filtro de aire limpio aseguran una mezcla de aire-combustible adecuada y le ayuda a que su motor funcione mejor y que dure más.

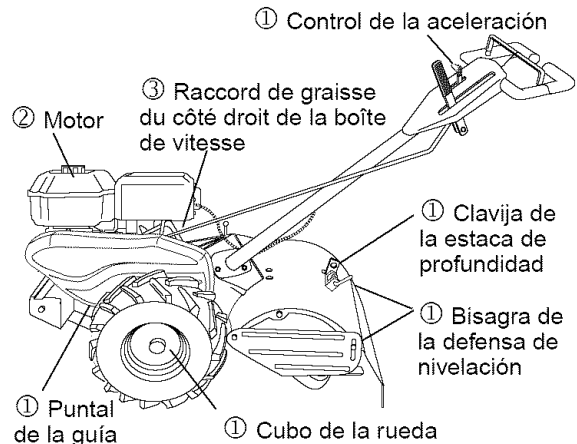
### ANTES DE CADA USO

1. Revise el nivel del aceite del motor.
2. Revise la operación de los brazos.
3. Revise si hay sujetadores sueltos.

### LUBRICACIÓN

Mantenga la unidad bien lubricada (vea la "TABLA DE LUBRICACIÓN").

## TABLA DE LUBRICACIÓN



- ① Aceite de motor SAE 30 O 5W-30
- ② Refiérase a la sección del motor, "MANTENIMIENTO"
- ③ Lubricante de EP #1

**PRECAUCIÓN:** Desconecte el alambre de la bujía antes de dar mantenimiento (excepto por el ajuste del carburador) para evitar que el motor arranque por accidente.

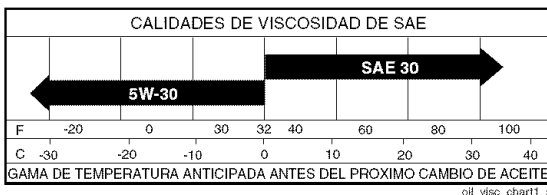
¡Evite los incendios! Mantenga el motor sin césped, hojas, aceite o combustible derramado. Remueva el combustible del estanque antes de inclinar la unidad para darle mantenimiento. Limpie el césped, la mugre y la basura del área del silenciador.

No toque el silenciador caliente o las aletas del cilindro, pues el contacto puede producir quemaduras.

## MOTOR

### LUBRICACIÓN

Use solamente aceite de detergente de alta calidad clasificado con la clasificación SF-SJ de servicio API. Seleccione la calidad de viscosidad SAE según su temperatura de operación esperada.



**AVISO:** A pesar de que los aceites de multiviscosidad (5W-30, 10W-30, etc.) mejoran el arranque en clima frío, estos aceites de multiviscosidad van a aumentar el consumo de aceite cuando se usan en temperaturas sobre 32°F (0°C).

Revise el nivel del aceite del motor más a menudo, para evitar un posible daño en el motor, debido a que no tiene suficiente aceite. Cambie el aceite después de 25 horas de operación o por lo menos una vez al año si el tiller se utiliza menos de 25 horas el año.

Revise el nivel del aceite del cárter antes de hacer arrancar el motor y después de cada cinco (5) horas de uso continuado. Agregue aceite de motor SAE 30 o su equivalente. Apriete el tapón del depósito de relleno del aceite en forma segura cada vez que revise el nivel del aceite.

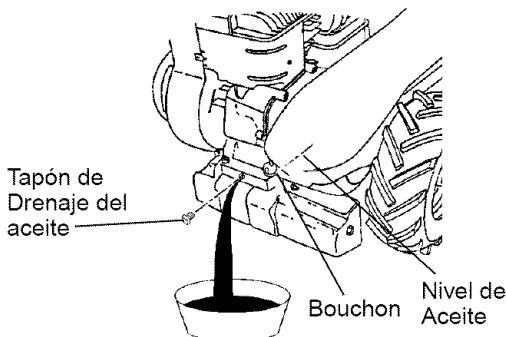
### PARA CAMBIAR EL ACEITE DEL MOTOR

Determine la gama de temperatura esperada antes del cambio del aceite. Todos los aceites deben cumplir con los requisitos de la clasificación de servicio API SF-SJ.

- Asegúrese que la cultivadora esté en una superficie nivelada.
- El aceite drenará más fácilmente cuando está caliente.
- Útilice un embudo para impedir el derrame de aceite sobre la cultivadora, y recoja el aceite en un envase adecuado.

1. Remueva el tapón del drenaje.
2. Incline la cultivadora hacia adelante para drenar el aceite.

3. Después de que el aceite se haya drenado completamente, vuelva a colocar el tapón del drenaje del aceite y apriételo en forma segura.
4. Remueva el tapón del depósito de relleno de aceite. Tenga cuidado de no permitir que la mugre entre al motor.
5. Vuelva a llenar el motor con aceite. Vea "REVISIÓN DEL NIVEL DEL ACEITE DEL MOTOR CON ACEITE" en la sección de Operación de ese manual.



### FILTRO DE AIRE

Su motor no va a funcionar en forma adecuada si usa un filtro sucio. Limpíe el elemento del prefiltro de espuma después de cada 50 horas de operación o cada temporada. Déle servicio al cartucho de papel cada 100 horas de operación, o cada temporada, lo que suceda primero.

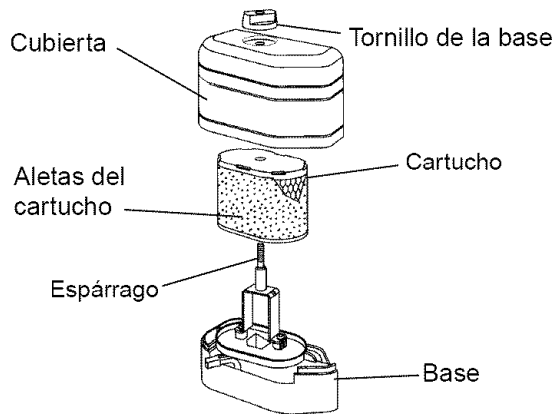
Déle servicio al filtro de aire más a menudo si se usa en condiciones polvorosas.

1. Remueva la cubierta y el tornillo.
- PARA DAR SERVICIO AL PREFILTRO
2. Remueva el prefiltro del filtro de aire.
  3. Lave con espuma en un detergente líquido y agua.
  4. Séquelo apretándolo en una tela limpia.
- AVISO:** Si muy sucio o dañado, reemplácelo.
5. Vuelva a instalar el prefiltro sobre el filtro de aire.
  6. Vuelva a instalar la cubierta y asegúrela con el botón.

### PARA DAR SERVICIO AL CARTUCHO

1. Golpee suavemente el lado plano del cartucho de papel para desprender la mugre. Cambie un cartucho que este sucio, o dañado.
2. Remueva el prefiltro del filtro de aire.
3. Vuelva a instalar el cartucho, la cubierta con el prefiltro y asegúrelos con un tornillo.
4. Vuelva a instalar el prefiltro sobre el filtro de aire.
5. Vuelva a instalar la cubierta y asegúrela con el botón.

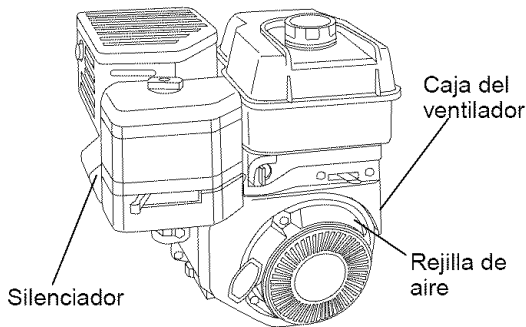
**IMPORTANTE:** Los elemento del petróleo, como queroseno, no deben ser utilizados para limpiar el cartucho. Pueden ocasionar la deterioración del cartucho. No ponga aceite al cartucho. No haga presión al aire para limpiar o secar el cartucho.



### SISTEMA DE ENFRIAMIENTO

Su motor se enfría con aire. Para obtener el rendimiento adecuado del motor adecuado y larga vida, mantenga su motor limpio.

- Limpie la rejilla de aire frecuentemente usando un cepillo de cerdas duras.
- Guarde las aletas del cilindro, las palancas, y la biela sin mugre y yeso.



### SILENCIADOR

No opere la cultivadora sin el silenciador. No manipulee el sistema de escape. Los silenciadores o los amortiguadores de chispas dañados pueden crear un peligro de incendio. Inspecciónelos periódicamente y cámbielos si es necesario. Si su motor viene equipado con un conjunto de rejilla para el amortiguador de chispas, remuévalo cada 50 horas para limpiarlo e inspeccionarlo. Cámbielo si es necesario.

### BUJÍA

Cambie las bujías al comienzo de cada temporada de cultivo, o después de 50 horas de uso, lo que suceda primero. El tipo de bujía y la abertura aparece en las "ESPECIFICACIONES DEL PRODUCTO" en la página 24 de este manual.

### TRANSMISIÓN

Una vez por temporada, lubrique el ajuste de lubricante del lado derecho del la caja de velocidades con 1 onza de grasa EP #1.

### LIMPIEZA

No limpie su cultivadora cuando el motor y la transmisión estén calientes. No recomendamos el uso de agua presurizada (manguera del jardín, etc.) para limpiar su unidad a menos que el área de la junta alrededor de la transmisión y del silenciador del motor, del filtro de aire y del carburador se cubran para protegerlos del agua. El agua en la transmisión y/o el motor acortará la vida de su cultivadora.

- Limpie todo material extraño del motor, las ruedas, el pulido, etc.
- Mantenga las superficies pulidas y las ruedas sin derrames de gasolina, aceite, etc.
- Proteja las superficies pintadas con cera tipo automotriz.

## SERVICIO Y AJUSTES

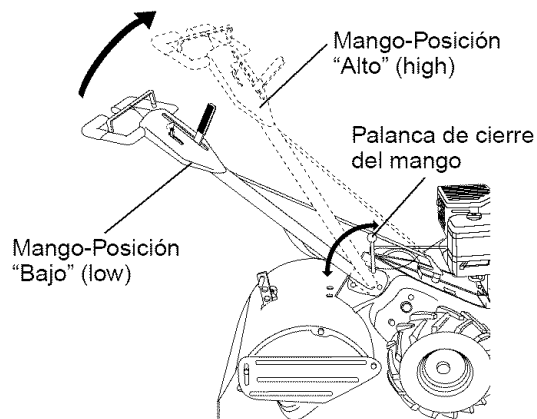
**PRECAUCIÓN:** Desconecte el alambre de la bujía y póngalo en donde no pueda entrar en contacto con la bujía.

### CULTIVADORA

#### PARA AJUSTAR LA ALTURA DEL MANGO

Ajuste el mango a la altura que mejor se acomode para sus condiciones de labración. La altura del mango será diferente cuando la cultivadora excave el suelo.

1. Primero afloje la tuerca hexagonal del mango.
2. El mango se puede poner en distintos ajustes entre las posiciones de "ALTO" (HIGH) y "BAJO" (LOW).
3. Después de ajustar, vuelva a apretar con seguridad la tuerca hexagonal.



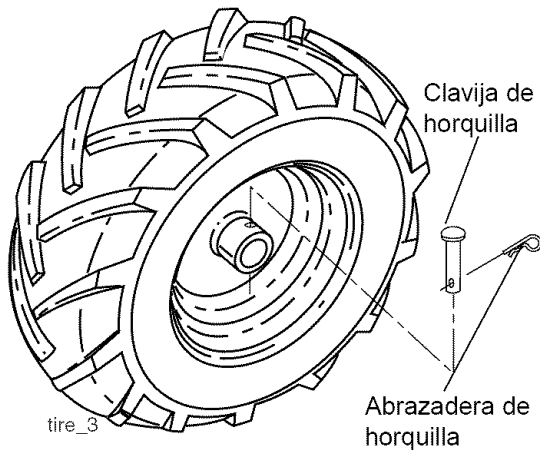
## CUIDADO DE LAS LLANTAS

**⚠PRECAUCIÓN:** Cuando monte las llantas, a menos que los talones estén asentados, si se inflan demasiado se puede producir una explosión.

- Mantenga 20 libras de presión en las llantas. Si la presión de las llantas no es la misma, la cultivadora va a tirar hacia un lado.
- Mantenga las llantas sin gasolina o aceite, porque pueden dañar el caucho.

### PARA REMOVER LA RUEDA

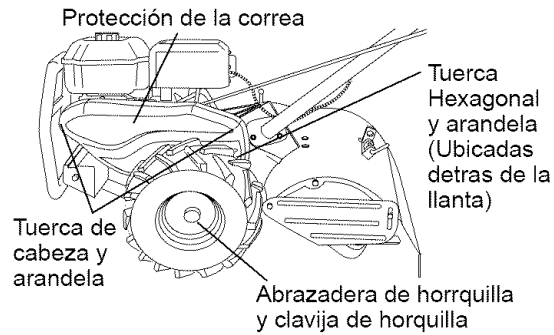
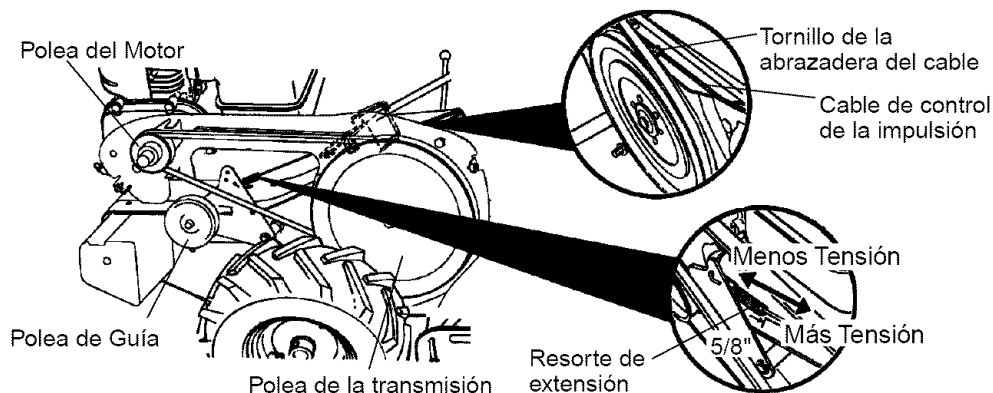
1. Ponga los bloques debajo de la transmisión para evitar que se vuelque la cultivadora.
2. Remueva la abrazadera de horquilla y la clavija de horquilla de la rueda.
3. Remueva la rueda y la llanta.
4. Repare la llanta y vuelva a colocarla.



### PARA REMOVER LA PROTECCIÓN DE LA CORREA

**AVISO:** Para facilitar la remoción, remueva la abrazadera de horquilla y la clavija de horquilla de la rueda izquierda. Tire la rueda hacia afuera de la cultivadora 1 pulgada.

1. Remueva las dos (2) tornillos del lado de la protección de la correa.
2. Remueva la tuerca hexagonal y la arandela de la parte inferior de la protección de la correa (ubicada detrás de la rueda).
3. Tire la protección de la correa hacia afuera y aléjela de la unidad.
4. Vuelva a colocar la protección de la correa invirtiendo los pasos del procedimiento anterior.



### PARA CAMBIAR LA CORREA DE IMPULSIÓN DE RECORRIDO

1. Remueva la protección de la correa según se ha descrito en "PARA REMOVER LA PROTECCIÓN DE LA CORREA."
2. Remueva la correa antigua deslizándola fuera de la polea del motor primero y remueva la polea de la transmisión.
3. Ponga la correa nueva en la ranura de la polea de la transmisión y dentro de la polea del motor. LA CORREA TIENE QUE ESTAR EN LA RANURA EN LA PARTE SUPERIOR DE LA POLEA DE GUÍA. NOTA LA POSICIÓN DE LA CORREA EN RELACIÓN CON LAS GUÍAS.
4. Revise el ajuste de la correa según se describe a continuación.
5. Vuelva a colocar la protección de la correa.
6. Vuelva a colocar la rueda y la clavija de horquilla y la abrazadera de horquilla.

### AJUSTE DE LA CORREA DE IMPULSIÓN DE RECORRIDO

Para obtener la tensión de la correa adecuada, el resorte de extensión debe tener alrededor de 5/8 de pulgada de estiramiento cuando la barra de control de la impulsión está en la posición "ENGANCHADO" (ENGAGED). Esta tensión se puede lograr de la forma siguiente:

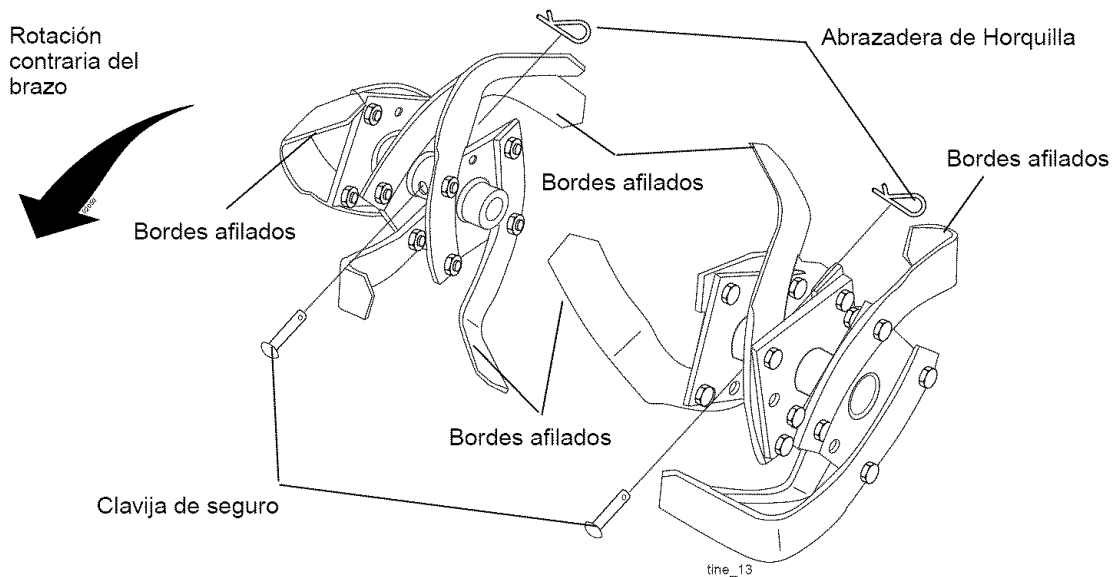
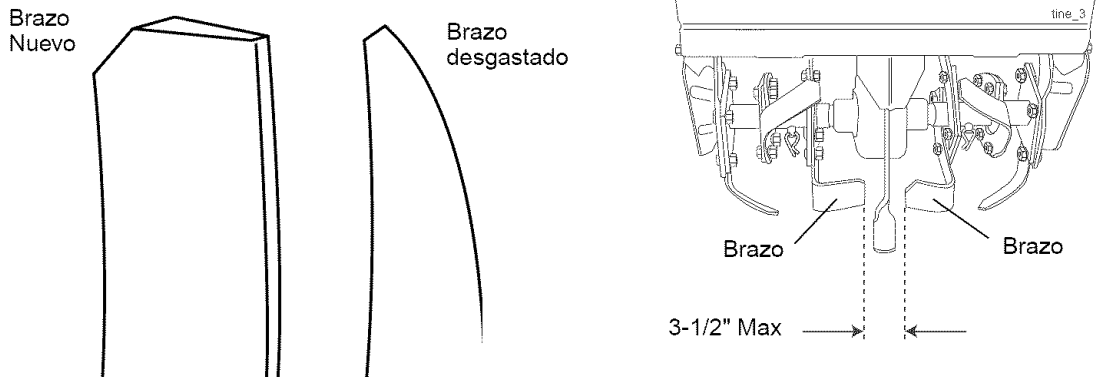
1. Suelte el tornillo de la abrazadera del cable que asegura el cable de control de la impulsión.
2. Deslice el cable hacia adelante para obtener una menor tensión y hacia atrás para obtener una mayor tensión hasta que se obtenga alrededor de 5/8 de pulgada de estiramiento cuando la barra de control de la impulsión esté enganchada.
3. Apriete el tornillo de la abrazadera del cable en forma segura.

## CAMBIO DE BRAZOS

**⚠️ PRECAUCIÓN:** Los brazos son afilados. Use guantes u otra protección cuando maneje los brazos.

Si hay un brazo muy desgastado su cultivadora tiene que trabajar más y excava con menos profundidad. Más importante aún, los brazos desgastados no pueden cortar ni moler la materia orgánica, ni tampoco enterrarla, tan efectivamente como lo hacen los brazos buenos. Es necesario cambiar un brazo desgastado.

- Para que esta máquina pueda mantener un rendimiento excelente en el labrado, se deben revisar los brazos para verificar si están afilados, desgastados o doblados, especialmente los que se encuentran al lado de la transmisión. Si el espacio libre entre los brazos es más de 3-1/2 pulgadas, se tienen que cambiar o enderezar, según sea necesario.
- Los brazos nuevos tienen que montarse según se muestra en la Fig. X3. Los bordes de los brazos afilados rotarán hacia atrás desde arriba.

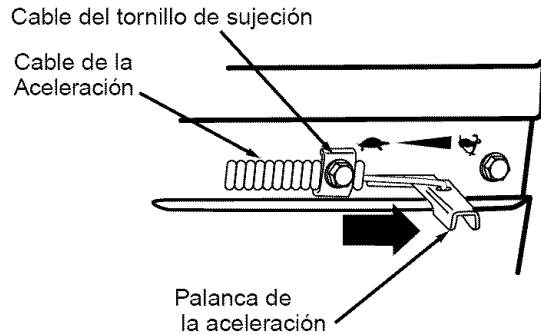


## MOTOR

El mantenimiento, la reparación, o el reemplazo de cualquier dispositivos o sistemas del control de la emisión, los cuales sean hechos al costo del cliente, pueden ser realizados por cualquier individuo o establecimiento de reparación de motor. Los reparos que caen bajo garantía deben ser realizados por un establecimiento de servicio de reparación de motor autorizado.

### PARA AJUSTAR EL CABLE DE CONTROL DE LA ACELERACIÓN

1. El control de la aceleración ha sido preajustado en la fábrica y no debería necesitar ajustes. Si el ajuste es necesario, proceda según lo siguiente:
2. Con el motor sin funcionar, mueva la palanca de control de la aceleración a la posición de "RÁPIDO"(FAST).
3. Si la palanca de control de la velocidad situada sobre el motor toca el tope de la velocidad alta, no necesitara más ajustes. Si la palanca de control de la velocidad no toca el tope de la velocidad alta, continúe con el procedimiento del ajuste.
4. Afloje el tornillo de la abrazadera del cable.
5. Mueva la palanca de control de la velocidad hacia arriba hasta que toque el tope de la velocidad alta, y manténgala en esta posición.
6. Apriete el tornillo de la abrazadera del cable con seguridad.



### PARA AJUSTAR EL CARBURADOR

El carburador tiene un chorro de alta velocidad y ha sido preajustado en la fábrica y no debería necesitar ajustes. Sin embargo, se pueden necesitar ajustes de menor importancia para compensar por las diferencias en el combustible, temperatura, altura o carga. Si el carburador necesita ajustes, pongase en contacto con su centro/departamento de servicio autorizado más cercano.

**IMPORTANTE:** Nunca manipulee el regulador del motor el que ha sido ajustado en la fabrica para la velocidad del motor adecuada puede ser peligroso hacer funcionar el motor a una velocidad por sobre el ajuste de alta velocidad de la fabrica si cree que la velocidad alta regulada del motor necesita ajuste, pongase en contacto con su centro/departamento de servicio.

# ALMACENAMIENTO

Inmediatamente prepare su cultivadora para el almacenamiento al final de la temporada o si la unidad no se va a usar por 30 días o más.

**⚠ PRECAUCIÓN:** Nunca almacene la cultivadora con gasolina en el estanque dentro de un edificio en donde los gases pueden alcanzar una llama expuesta o una chispa. Permita que el motor se enfríe antes de almacenarlo en cualquier recinto privado.

## CULTIVADORA

1. Limpie toda la cultivadora (vea "LIMPIEZA" en la sección de Mantenimiento en este manual).
2. Inspeccione y cambie las correas, si es necesario (vea las instrucciones para el cambio de la correa en la sección de Servicio y Ajustes de este manual).
3. Lubríquela según se muestra en la sección de Mantenimiento en este manual.
4. Asegúrese que todas las tuercas, pernos y tornillos estén apretados en forma segura. Inspeccione las partes móviles para verificar si están dañadas, rotas o desgastadas. Cámbielas si es necesario.
5. Retoque todas las superficies pintadas que estén oxidadas o picadas; use una lija suavemente antes de pintar.

## MOTOR

### SISTEMA DE COMBUSTIBLE

**IMPORTANTE:** Es importante evitar que se formen depósitos de goma en partes fundamentales del sistema de combustible tales como el carburador, el filtro del combustible, la manguera del combustible o en el estanque durante el almacenamiento. La experiencia también indica que los combustibles mezclados con alcohol (conocido como gasohol o que tienen etanol o metanol) pueden atraer humedad, lo que conduce a la separación de ácidos durante el almacenamiento. La gasolina ácida puede dañar el sistema de combustible de un motor durante el periodo de almacenamiento.

- Vaciar el depósito del carburante poniendo en marcha el motor y dejándolo funcionar hasta que el carburante termine el carburador esté vacío.
- Nunca use los productos para limpieza del carburador o del motor en el estanque de combustible pues se pueden producir daños permanentes.
- Use combustible nuevo la próxima temporada.

**AVISO:** El estabilizador de combustible es una alternativa aceptable para reducir a un mínimo la formación de depósitos de goma en el combustible durante el período de almacenamiento. Agregue estabilizador a la gasolina en el estanque de combustible o en el envase para el almacenamiento. Siempre siga la proporción de mezcla que se encuentra en el envase del estabilizador. Haga funcionar el motor por lo menos 10 minutos después de agregar el estabilizador, para permitir que éste llegue al carburador. No vaciar la gasolina del estanque de gasolina y el carburador si se está usando estabilizador de combustible.

### ACEITE DEL MOTOR

Drene el aceite (con el motor caliente) y cámbielo con aceite de motor limpio. (Vea "MOTOR" en la sección de Mantenimiento de este manual.)

### CILINDRO(S)

1. Remueva la bujía.
2. Vacíe una onza de aceite a través del agujero de la bujía en el cilindro.
3. Tire el mango del arrancador, lentamente, varias veces para distribuir el aceite.
4. Cambie por una bujía nueva.

### OTROS

- No guarde la gasolina de una temporada a la otra.
- Cambie el envase de la gasolina si se empieza a oxidar. La oxidación y/o la mugre en su gasolina producirán problemas.
- Si es posible, guarde su unidad en un recinto cerrado y cúbrala para protegerla contra el polvo y la mugre.
- Cubra su unidad con un forro protector adecuado que no retenga la humedad. No use plástico. El plástico no puede respirar, lo que permite la formación de condensación, lo que producirá la oxidación de su unidad.

**IMPORTANTE:** Nunca cubra la cultivadora mientras el motor y las áreas de escape todavía están calientes.

**IDENTIFICACIÓN DE PROBLEMAS:**

Vea la sección apropiada en el manual a menos que esté dirigido a un centro de servicio Sears.

| <b>PROBLEMA</b>            | <b>CAUSA</b>  | <b>CORRECCIÓN</b>  |
|----------------------------|---|--|
| <b>No arranca</b>          | <ol style="list-style-type: none"> <li>1. Sin combustible.</li> <li>2. Motor sin la "ESTRANGU-LACION" (CHOKE) adecuada.</li> <li>3. Motor ahogado.</li> <li>4. Filtro de aire sucio.</li> <li>5. Agua en el combustible.</li> <li>6. Estanque de combustible taponado.</li> <li>7. Alambre de la bujía suelto.</li> <li>8. Bujía mala o abertura inadecuada.</li> <li>9. Carburador desajustado.</li> <li>10. La válvula de cierre del combustible esté cerrada.</li> </ol> | <ol style="list-style-type: none"> <li>1. Llene el estanque de combustible.</li> <li>2. Vea "PARA ARRANCAR EL MOTOR" en la sección de Operación.</li> <li>3. Espere varios minutos antes de tratar de arrancar.</li> <li>4. Limpie o cambie el cartucho del filtro de aire.</li> <li>5. Vaciar el estanque de combustible y el carburador, vuelva a llenar el estanque con gasolina nueva.</li> <li>6. Remueva el estanque de combustible y límpielo.</li> <li>7. Asegúrese que el alambre de la bujía esté asentado en forma adecuada en ésta.</li> <li>8. Cambie la bujía o ajuste la abertura.</li> <li>9. Haga los ajustes necesarios.</li> <li>10. Habra la válvula.</li> </ol>   |
| <b>Difícil de arrancar</b> | <ol style="list-style-type: none"> <li>1. Control de la aceleración ajustado inadecuadamente.</li> <li>2. Filtro de aire sucio.</li> <li>3. Bujía mala o abertura inadecuada.</li> <li>4. Combustible rancio o sucio.</li> <li>5. Alambre de la bujía suelto.</li> <li>6. Carburador desajustado.</li> </ol>  | <ol style="list-style-type: none"> <li>1. Ponga el control de la aceleración en la posición de "RÁPIDO" (FAST).</li> <li>2. Limpie o cambie el cartucho del filtro de aire.</li> <li>3. Cambie la bujía o ajuste la abertura.</li> <li>4. Vaciar el estanque de combustible y vuelva a llenarlo con gasolina nueva.</li> <li>5. Asegúrese que el alambre de la bujía esté asentado en forma adecuada en ésta.</li> <li>6. Haga los ajustes necesarios.</li> </ol>  |
| <b>Falta de fuerza</b>     | <ol style="list-style-type: none"> <li>1. El motor está sobrecargado.</li> <li>2. Filtro de aire sucio.</li> <li>3. Nivel de aceite bajo/aceite sucio.</li> <li>4. Bujía fallada.</li> <li>5. Aceite en el combustible.</li> <li>6. Combustible rancio o sucio.</li> <li>7. Agua en el combustible.</li> <li>8. Estanque de combustible taponado.</li> <li>9. Alambre de la bujía suelto.</li> </ol>  | <ol style="list-style-type: none"> <li>1. Ajuste la estaca de profundidad para un labrado menos profundo.</li> <li>2. Limpie o cambie el cartucho del filtro de aire.</li> <li>3. Revise el nivel del aceite/cambie el aceite.</li> <li>4. Limpie y vuelva a ajustar la abertura o cambie la bujía.</li> <li>5. Vaciar y limpie el estanque de combustible y vuelva a llenarlo y limpie el carburador.</li> <li>6. Vaciar el estanque de combustible y vuelva a llenarlo con gasolina nueva.</li> <li>7. Vaciar el estanque de combustible y el carburador y vuelva a llenar el estanque con gasolina nueva.</li> <li>8. Remueva el estanque de combustible y límpielo.</li> <li>9. Conecte y apriete el alambre de la bujía.</li> </ol> |



**IDENTIFICACIÓN DE PROBLEMAS:**

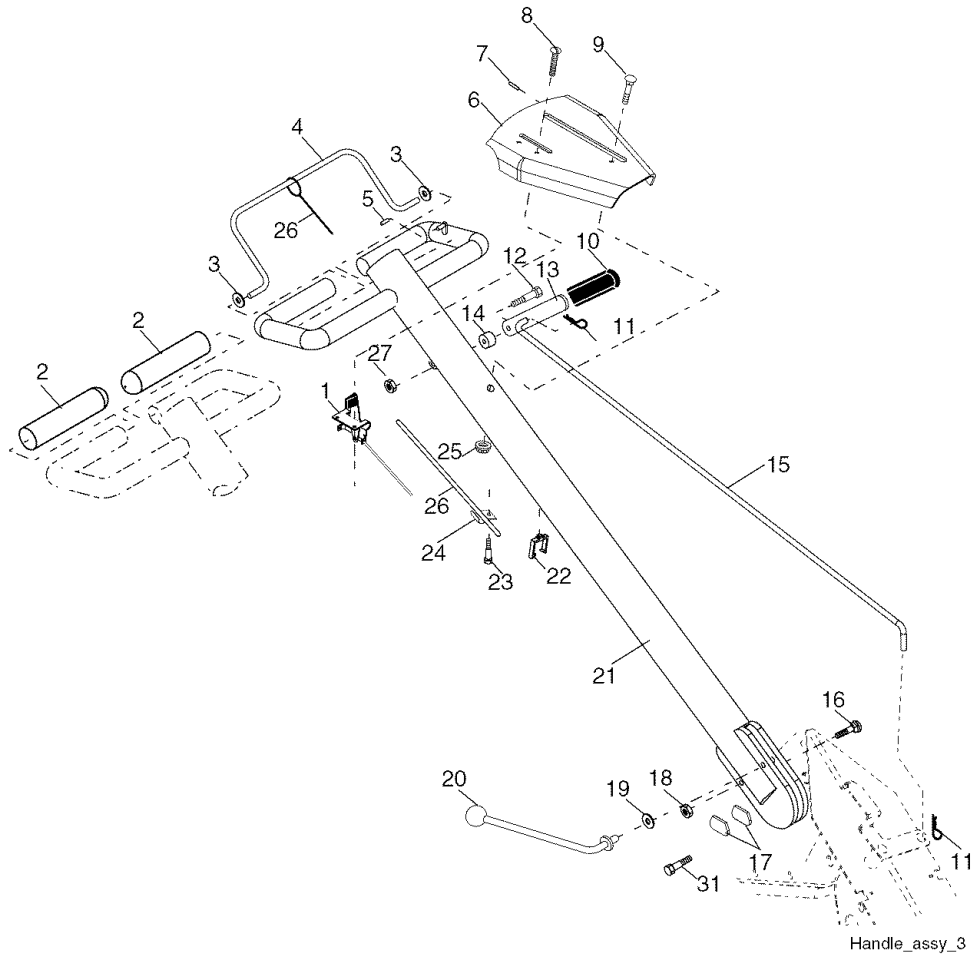
Vea la sección apropiada en el manual a menos que esté dirigido a un centro de servicio Sears.

| <b>PROBLEMA</b>   | <b>CAUSA</b>   | <b>CORRECCIÓN</b>   |
|---|--|---|
| <b>Falta de fuerza</b>  | 10. Rejilla de aire del motor sucia.<br>11. Silenciador sucio/taponado.<br>12. Carburador desajustado.<br>13. Mala compresión.                                       | 10. Limpie la rejilla de aire del motor.<br>11. Limpie/cambie el silenciador.<br>12. Haga los ajustes necesarios.<br>13. Contacto con su centro de servicio cualificado.  |
| <b>El motor se calienta demasiado</b>   | 1. Nivel del aceite bajo/aceite sucio.<br>2. Rejilla de aire del motor sucia.<br>3. Motor sucio.<br><br>4. Silenciador parcialmente<br>5. Mal ajuste del carburador. | 1. Revise el nivel del aceite/<br>cambie el aceite.<br>2. Limpie la rejilla de aire del motor.<br>3. Limpie las aletas del cilindro, la rejilla de aire y el área del silenciador.<br>4. Remueva y limpie el silenciador.<br>taponado.<br>5. Ajuste el carburador para una posición de mezcla más rica. |
| <b>Rebote excesivo/<br/>manejo difícil</b>  | 1. El terreno está muy seco y duro.  | 1. Moje el suelo o espere a que existan condiciones del suelo más favorables.   |
| <b>El suelo se hace bolas o se amontona</b>   | 1. El terreno está muy mojado.   | 1. Espere a que existan condiciones del suelo más favorables.   |
| <b>El motor funciona pero la cultivadora no se mueve</b>                                      | 1. La barra de control de la impulsión no está enganchada.<br>2. La correa V no está ajustada correctamente.<br>3. La correa V está fuera de la(s) polea(s).         | 1. Enganche el control de la impulsión.<br>2. Inspeccione/ajuste la correa V.<br>3. Inspeccione la correa V.  |
| <b>El motor funciona pero se esfuerza cuando se labra</b>                                     | 1. Se está labrando muy profundamente.<br>2. El control de la aceleración no está ajustado en forma adecuada.<br>3. El carburador está desajustado.                  | 1. Ajuste la estaca de profundidad para un labrado menos profundo.<br>2. Revise el ajuste del control de la aceleración.<br>3. Haga los ajustes necesarios.   |
| <b>Los dientes saltan sobre el terreno</b>  | 1. No baje la estaca de arrastre   | 1. Baje la estaca de arrastre durante el movimiento de rotación hacia delante.  |
| <b>Difícil para cambiar de transmisión</b>  | 1. Las transmisiones no están distribuidas.  | 1. Enganche lentamente la barra de control de la transmisión y suelte o bascule la cultivadora hacia adelante y hacia atrás hasta que sea posible cambiar las marchas.  |
| <b>La cultivadora se apaga cuando la barra de control del cambio de mando esta enganchada</b> | 1. El conjunto de palanca esta colocado entre la posición la para segar de contra rotación delante.<br>2. Los dientes están atascados.                               | 1. Cambie de dirección a la posición para segar de contra rotación o posición para segar hacia y la posición para segar hacia adelante.<br>2. Aciare los dientes.   |

# REPAIR PARTS

## TILLER - - MODEL NUMBER 917.294484

### HANDLES

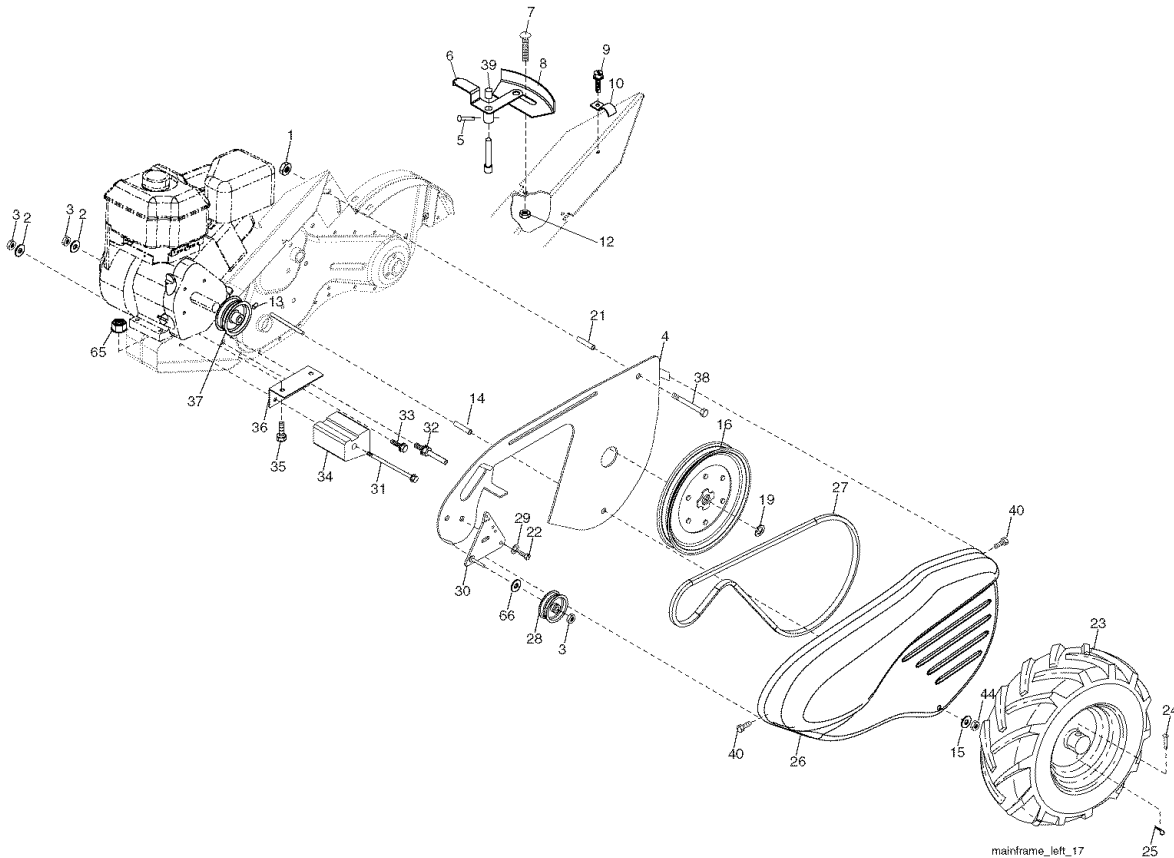


| KEY NO. | PART NO.   | DESCRIPTION                 |
|---------|------------|-----------------------------|
| 1       | 189482     | Throttle, Control           |
| 2       | 141406     | Grip, Handle                |
| 3       | 110673X    | Grommet, Handle             |
| 4       | 127254X    | Bar, Drive Control Assembly |
| 5       | 6712J      | Cap, Vinyl                  |
| 6       | 188403X012 | Panel, Control              |
| 7       | 110641X    | Bushing, Split              |
| 8       | 17720408   | Screw, Thd Cut 1/4-20 x 1/2 |
| 9       | 72010520   | Bolt, 5/16-18 x 2-1/2       |
| 10      | 110646X    | Handle, Grip                |
| 11      | 4497H      | Retainer Spring             |
| 12      | 81328      | Bolt, Shoulder              |
| 13      | 187497     | Handle, Shift               |
| 14      | 109313X    | Grommet, Rubber             |
| 15      | 110702X    | Rod, Shift                  |
| 16      | STD533710  | Bolt 3/8-16 x 1 Gr. 5       |
| 17      | 109229X    | Lock, Handle                |

| KEY NO. | PART NO.  | DESCRIPTION                                 |
|---------|-----------|---|
| 18      | STD541437 | Nut, Crownlock 3/8-16                       |
| 19      | 19131611  | Washer 13/32 x 1 x 11 Ga.                   |
| 20      | 109228X   | Lever, Lock, Handle                         |
| 21      | 150628    | Handle, Assemble                            |
| 22      | 165197    | Clip, Plastic, Cable                        |
| 23      | 86777     | Screw, Hex, Washer Hd, Slotted #10-24 x 1/2 |
| 24      | 9484R     | Clip  |
| 25      | 73970500  | Locknut, Hex, Flange                        |
| 26      | 110675X   | Clutch, Cable                               |
| 27      | 73900400  | Nut, Lock 1/4-20                            |
| 31      | 150696    | Bolt, Pivot                                 |

**NOTE:** All component dimensions given in U.S. inches. 1 inch = 25.4 mm

**TILLER - - MODEL NUMBER 917.294484**  
**MAINFRAME, LEFT SIDE**



**KEY PART  
NO. NO.**

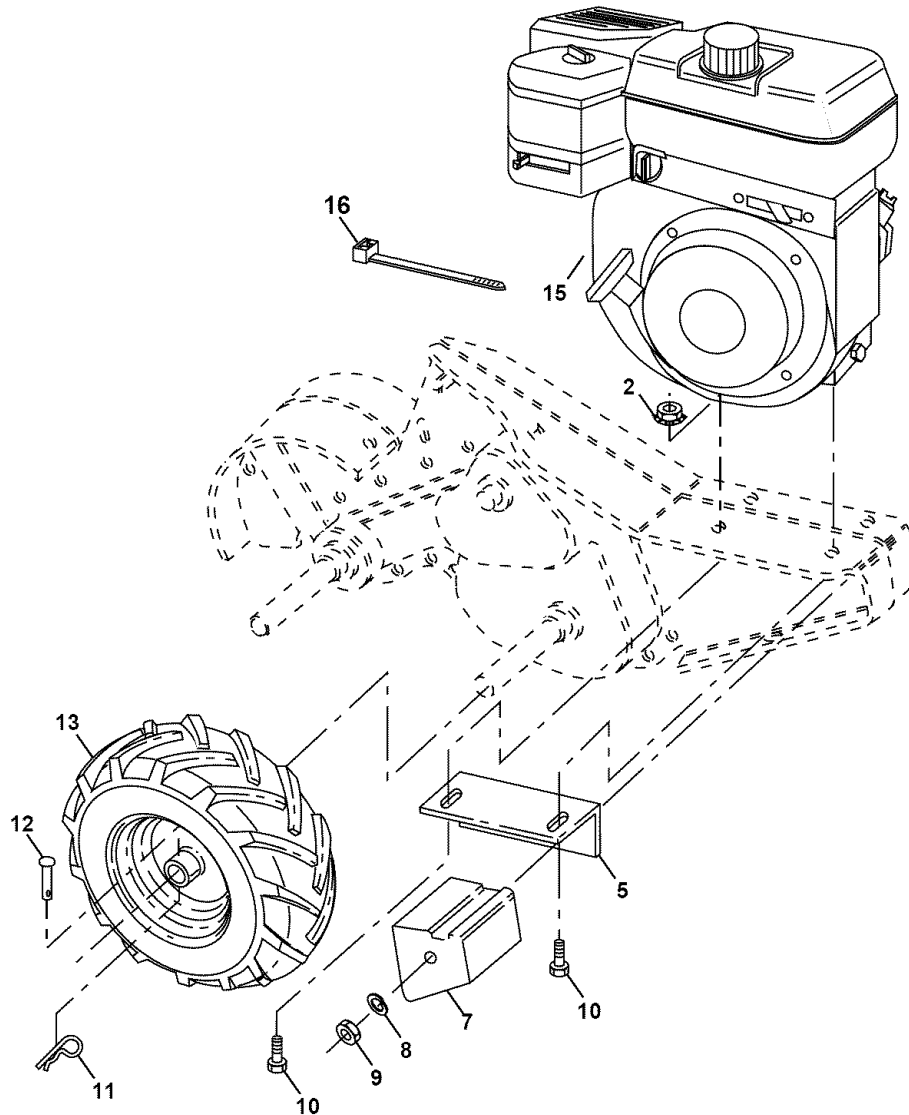
| KEY PART NO. | NO.        | DESCRIPTION                                   |
|--------------|------------|---|
| 1            | 73510500   | Nut, Keps 5/16-18                             |
| 2            | STD551137  | Washer, Lock 3/8                              |
| 3            | STD541037  | Nut, Hex 3/8-16                               |
| 4            | 170127     | Shield, Inner Belt Guard                      |
| 5            | 164329     | Pin Spiral Flared                             |
| 6            | 110111X    | Lever, Shift                                  |
| 7            | STD532505  | Bolt, Carriage 1/4-20 x 1/2 Gr. 5             |
| 8            | 8700J      | Plate, Shift Indicator                        |
| 9            | 86777      | Screw, Hex, Washer Head, Slotted #10-24 x 1/2 |
| 10           | 9484R      | Clip  |
| 12           | 73510400   | Nut, Keps Hex 1/4-20 unc                      |
| 13           | 23230506   | Screw, Set, 5/16-18 x 3/8                     |
| 14           | 156117     | Spacer, Split .327 x .42 x 1.220              |
| 15           | STD551031  | Washer 11/32 x 11/16 x 16 Ga.                 |
| 16           | 145102     | Sheave, Transmission                          |
| 19           | 12000028   | Ring, Retainer                                |
| 21           | 110652X    | Spacer, Split .327 x .42 x 2.09               |
| 22           | 74770508   | Bolt, Fin Hex 5/16-24 x 1/2                   |
| 23           | 102190X    | Tire  |
|              | 183122X624 | Rim   |
|              | 795R       | Tire Valve                                    |
| 24           | 126875X    | Rivet, Drilled                                |

**KEY PART  
NO. NO.**

| KEY PART NO. | NO.        | DESCRIPTION                     |
|--------------|------------|---------------------------------|
| 25           | 4497H      | Retainer, Spring                |
| 26           | 165501X558 | Guard, Belt                     |
| 27           | 132801     | Belt, V                         |
| 28           | 104679X    | Pulley, Idler                   |
| 29           | 12000032   | Ring, Klip                      |
| 30           | 159229     | Bracket, Idler                  |
| 31           | 102384X    | Bolt, Hex 5/16-16 x 12          |
| 32           | 102141X    | Shaft, Idler Arm                |
| 33           | STD523710  | Bolt, Hex 3/8-16 x 1            |
| 34           | 102383X    | Counterweight, L.H.             |
| 35           | 74760524   | Bolt, Hex 5/16-18 x 1-1/2       |
| 36           | 102331X    | Bracket, Reinforcement, L.H.    |
| 37           | 130812     | Sheave, Engine                  |
| 38           | 74760544   | Bolt, Fin Hex 5/16-18 x 2-3/4   |
| 39           | 140062     | Cap, Plunger                    |
| 40           | 170488     | Screw Hex Wsh. Hd #10-32 x 9/16 |
| 44           | STD541431  | Nut, Lock 5/16-18               |
| 65           | 73970500   | Nut, Lock Hex Flange            |
| 66           | 19131312   | Washer 13/32 x 13/16 x 12 Ga.   |

**NOTE:** All component dimensions given in U.S. inches. 1 inch = 25.4 mm

**TILLER - - MODEL NUMBER 917.294484**  
**MAINFRAME, RIGHT SIDE**



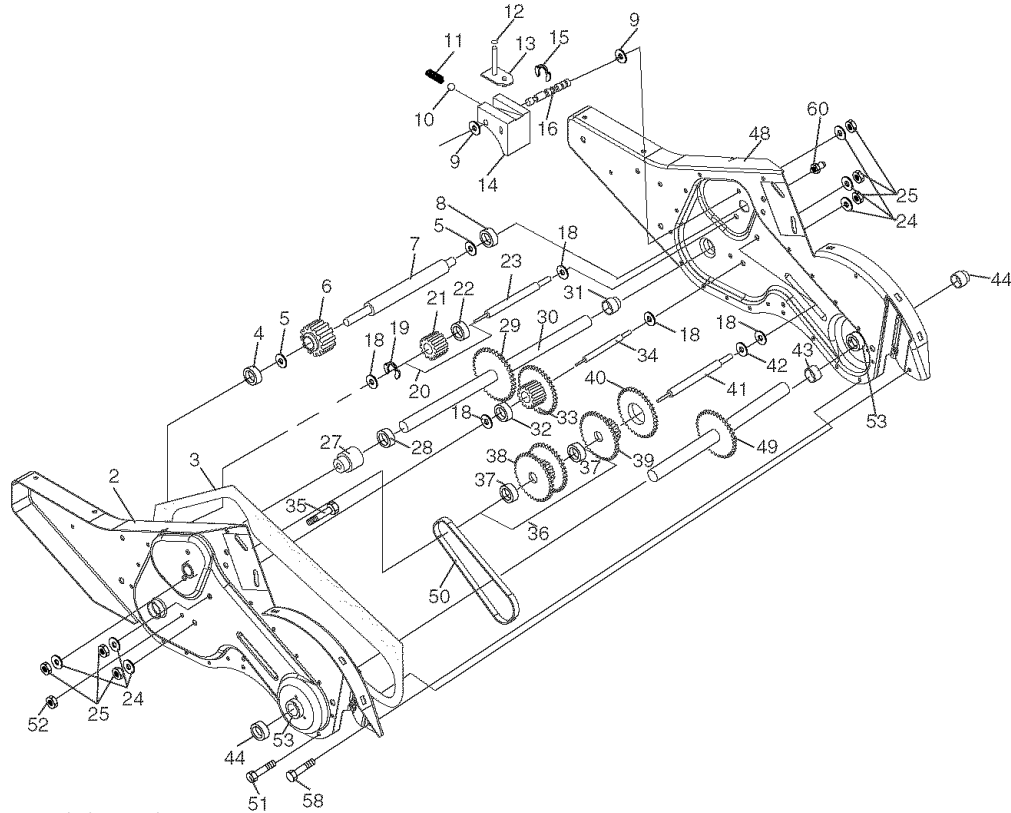
| KEY PART NO. | NO.       | DESCRIPTION                  |
|--------------|-----------|------------------------------|
| 2            | 73970500  | Locknut, Hex, Flange 5/16-18 |
| 5            | 102332X   | Bracket, Reinforcement       |
| 7            | 102173X   | Counter Weight, R.H.         |
| 8            | STD551137 | Washer, Lock 3/8             |
| 9            | STD541037 | Nut, Hex 3/8-16              |
| 10           | 74760524  | Bolt, Hex 5/16-18 x 1-1/2    |
| 11           | 4497H     | Retainer, Spring             |
| 12           | 126875X   | Rivet, Drilled               |

| KEY PART NO. | NO.        | DESCRIPTION   |
|--------------|------------|---|
| 13           | 102190X    | Tire  |
|              | 183122X624 | Rim   |
|              | 795R       | Tire Valve  |
| 15           | -----      | Engine, (See Breakdown) Briggs Model No. 120302-0432-E1 |
| 16           | 7192J      | Tie Cable   |

**NOTE:** All component dimensions given in U.S.inches.  
 1 inch = 25.4 mm

# TILLER - - MODEL NUMBER 917.294484

## TRANSMISSION



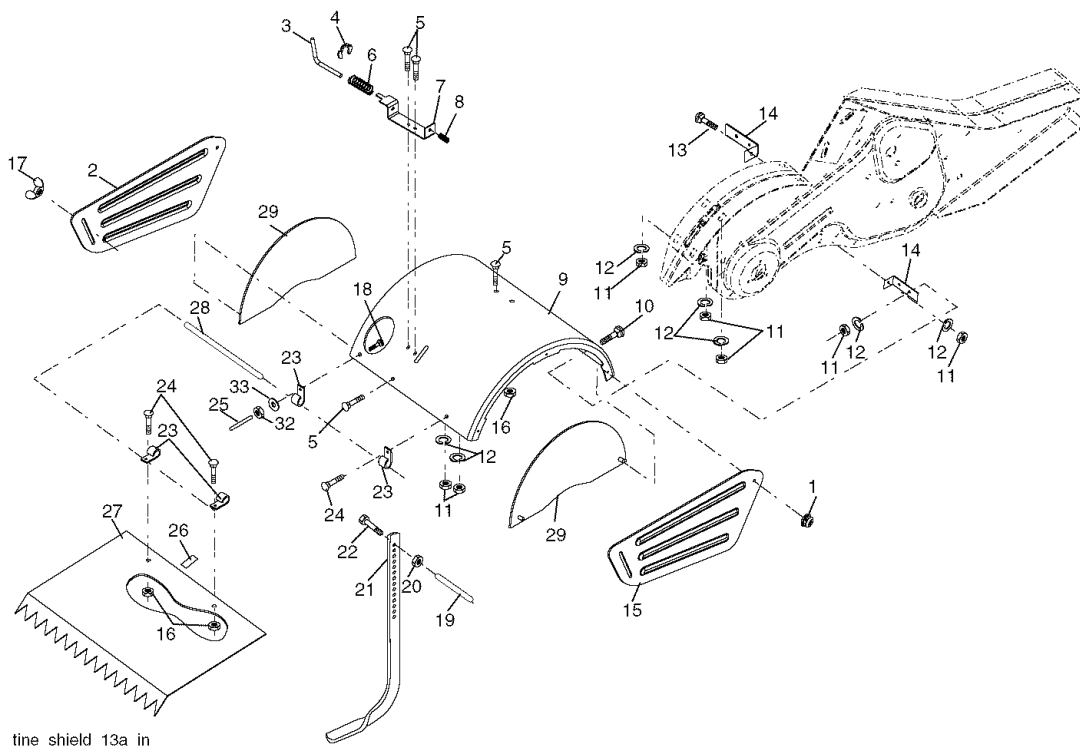
transmission\_19.5b

| KEY NO. | PART NO.  | DESCRIPTION   | KEY NO. | PART NO.  | DESCRIPTION   |
|---------|-----------|---|---------|-----------|---|
| 1       | 188554    | Transmission Assembly (Includes Key Nos. 2-52)              | 30      | 150737    | Ground Shaft Assembly                                     |
| 2       | 188482    | Gearcase, L.H. w/Bearing (Includes Key No. 4)               | 31      | 143008    | Bearing, Shaft, Ground Drive R.H.                         |
| 3       | 161963    | Gasket, Gearcase  | 32      | 106388X   | Spacer 0.70 x 1.00 x 1.150                                |
| 4       | 5020J     | Bearing, Needle   | 33      | 102121X   | Sprocket and Gear Assembly                                |
| 5       | 1370H     | Washer, Thrust 5/8 x 1.10 x 1/32                            | 34      | 102112X   | Shaft, Reduction (2nd)                                    |
| 6       | 137335    | Pinion, Input   | 35      | 102101X   | Screw, Whiz, Lock 5/16-18 x 3-1/2                         |
| 7       | 145101    | Shaft, Input  | 36      | 154355    | Sprocket Assembly w/Bearing (Includes Key Nos. 37 and 38) |
| 8       | 4895H     | Bearing, Needle   | 37      | 4422J     | Bearing, Needle   |
| 9       | 154467    | Washer, Seal  | 38      | 154356    | Sprocket, Tine  |
| 10      | 7392M     | Ball, Steel   | 39      | 105345X   | Gear, Cluster, Red 1st & 2nd                              |
| 11      | 100371K   | Spring, Shift, Fork   | 40      | 105346X   | Gear, Reverse   |
| 12      | 106160X   | O-Ring  | 41      | 8358J     | Shaft, Reduction (1st)                                    |
| 13      | 142145    | Arm, Shift  | 42      | 4220R     | Washer, Thrust  |
| 14      | 8353J     | Fork, Shift   | 43      | 106146X   | Spacer 1.01 x 1.75 x 0.760                                |
| 15      | 12000039  | Ring, Klip  | 44      | 155236    | Seal Asm. Oil   |
| 16      | 154466    | Shaft, Shift  | 48      | 188485    | Gearcase, R.H. w/Bearing (Includes Key No. 8)             |
| 18      | 4358J     | Washer  | 49      | 132688    | Shaft, Tine   |
| 19      | 12000040  | Ring, Klip  | 50      | 106147X   | Chain, Roller #50-50 Pitch                                |
| 20      | 102114X   | Gear, Assembly, Reverse Idler (Includes Key Nos. 21 and 22) | 51      | 17720408  | Screw 1/4-20 x 1/2  |
| 21      | 102115X   | Gear, Reverse Idler   | 52      | STD541031 | Nut, Hex 5/16-18  |
| 22      | 6803J     | Bearing, Needle   | 53      | 165140    | Bearing Kit, Tine Shaft                                   |
| 23      | 102111X   | Shaft, Reverse Idler  | 58      | 179520    | Shoulder Bolt   |
| 24      | STD551143 | Washer, Lock 7/16   | 60      | 183226    | Fitting Grease  |
| 25      | STD541143 | Nut, Hex 7/16-20  | --      | 6066J     | Grease, Plastilube #1                                     |
| 27      | 143009    | Bearing, Shaft, Ground Drive L.H.                           |         |           |   |
| 28      | 106390X   | Spacer 0.765 x 1.125 x 1.23                                 |         |           |   |
| 29      | 102134X   | Chain #35-50 Pitch  |         |           |   |

**NOTE:** All component dimensions given in U.S.inches.  
1 inch = 25.4 mm

# TILLER - - MODEL NUMBER 917.294484

## TINE SHIELD



tine\_shield\_13a\_in

### KEY PART

| NO. | NO.        | DESCRIPTION                      |
|-----|------------|----------------------------------|
| 1   | 73900500   | Nut, Lock Hex Flg 5/16-18 Unc    |
| 2   | 161415X558 | Shield, Side, Outer L. H.        |
| 3   | 8393J      | Pin, Stake, Depth                |
| 4   | 12000035   | Ring, Klip                       |
| 5   | 180847     | Bolt Rdhd Sqnk 5/16-18 x 3/4 Znc |
| 6   | 8394J      | Spring                           |
| 7   | 8392J      | Bracket, Latch                   |
| 8   | 109230X    | Spring, Depth Stake              |
| 9   | 102326X558 | Shield, Tine                     |
| 10  | STD533110  | Bolt, Carriage 5/16-18 x 1 Gr. 5 |
| 11  | STD541031  | Nut, Hex 5/16-18                 |
| 12  | STD551131  | Washer, Lock 5/16                |
| 13  | STD533112  | Bolt, Carriage 5/16-18 x 1-1/4   |
| 14  | 124343X    | Bracket, Shield Tine             |
| 15  | 161414X558 | Shield, Side, Outer R.H.         |
| 16  | 73900400   | Nut, Flange lock 1/4-20          |
| 17  | 162175     | Nut, Wing Forged 5/16-18         |
| 18  | STD532512  | Bolt, Carr. 1/4-20 x 1-1/4 Gr. 5 |

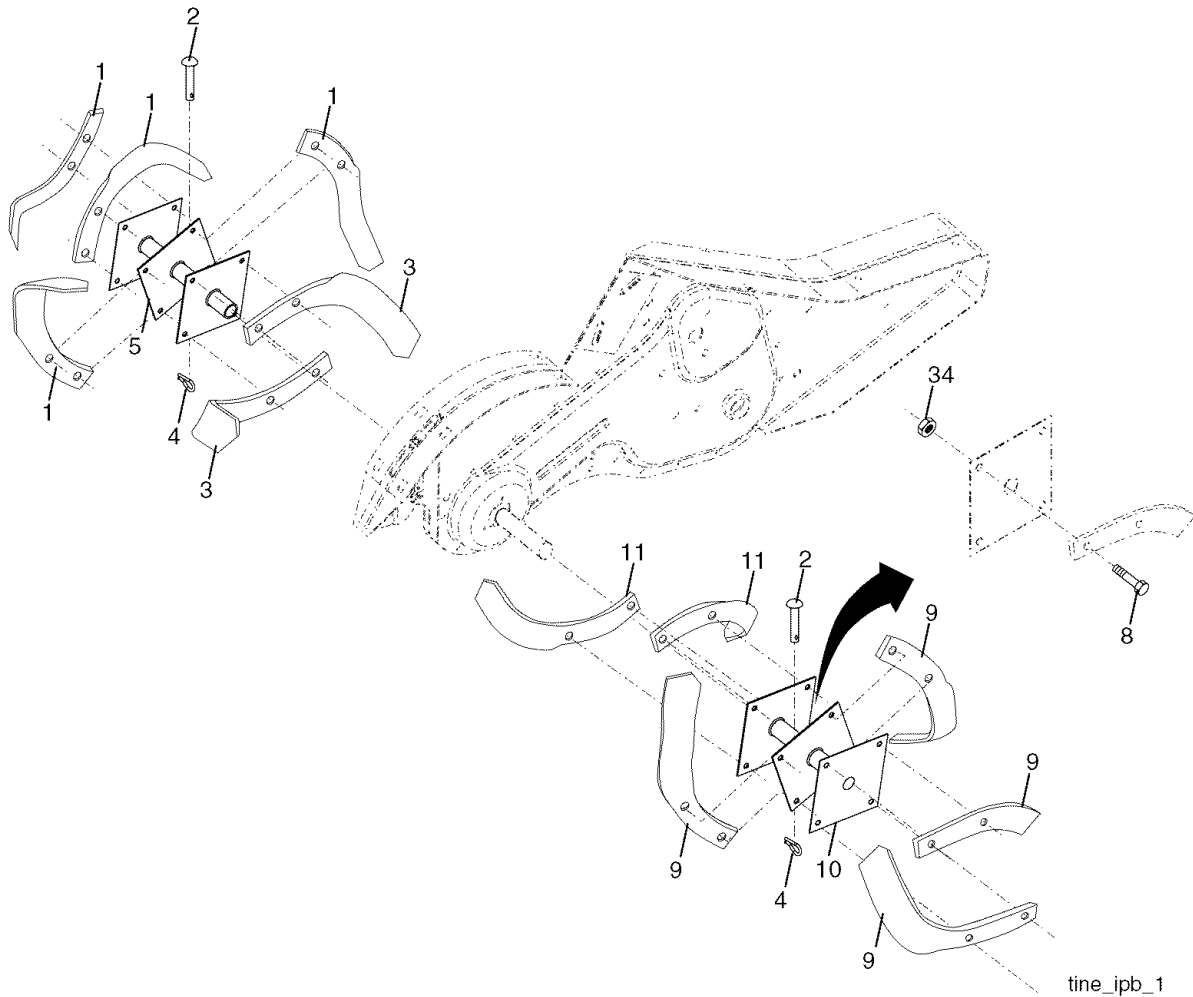
### KEY PART

| NO. | NO.        | DESCRIPTION                 |
|-----|------------|-----------------------------|
| 19  | 102701X    | Grip                        |
| 20  | STD541037  | Nut, Hex 3/8-16             |
| 21  | 102156X    | Stake, Depth                |
| 22  | 74930632   | Bolt, Hex 3/8-16 x 2        |
| 23  | 4440J      | Hinge                       |
| 24  | STD532505  | Bolt, Carriage 1/4-20 x 1/2 |
| 25  | 6712J      | Cap, Vinyl                  |
| 26  | 109227X    | Pad, Idler                  |
| 27  | 102695X558 | Shield, Leveling            |
| 28  | 120588X    | Pin, Hinge                  |
| 29  | 104085X558 | Shield, Side                |
| 32  | 73220400   | Nut, Fin, Hex 1/4-20 UNC    |
| 33  | STD551125  | Washer Lock Hvy Helical 1/4 |

**NOTE:** All component dimensions given in U.S. inches  
1 inch = 25.4 mm

# TILLER - - MODEL NUMBER 917.294484

## TINE ASSEMBLY



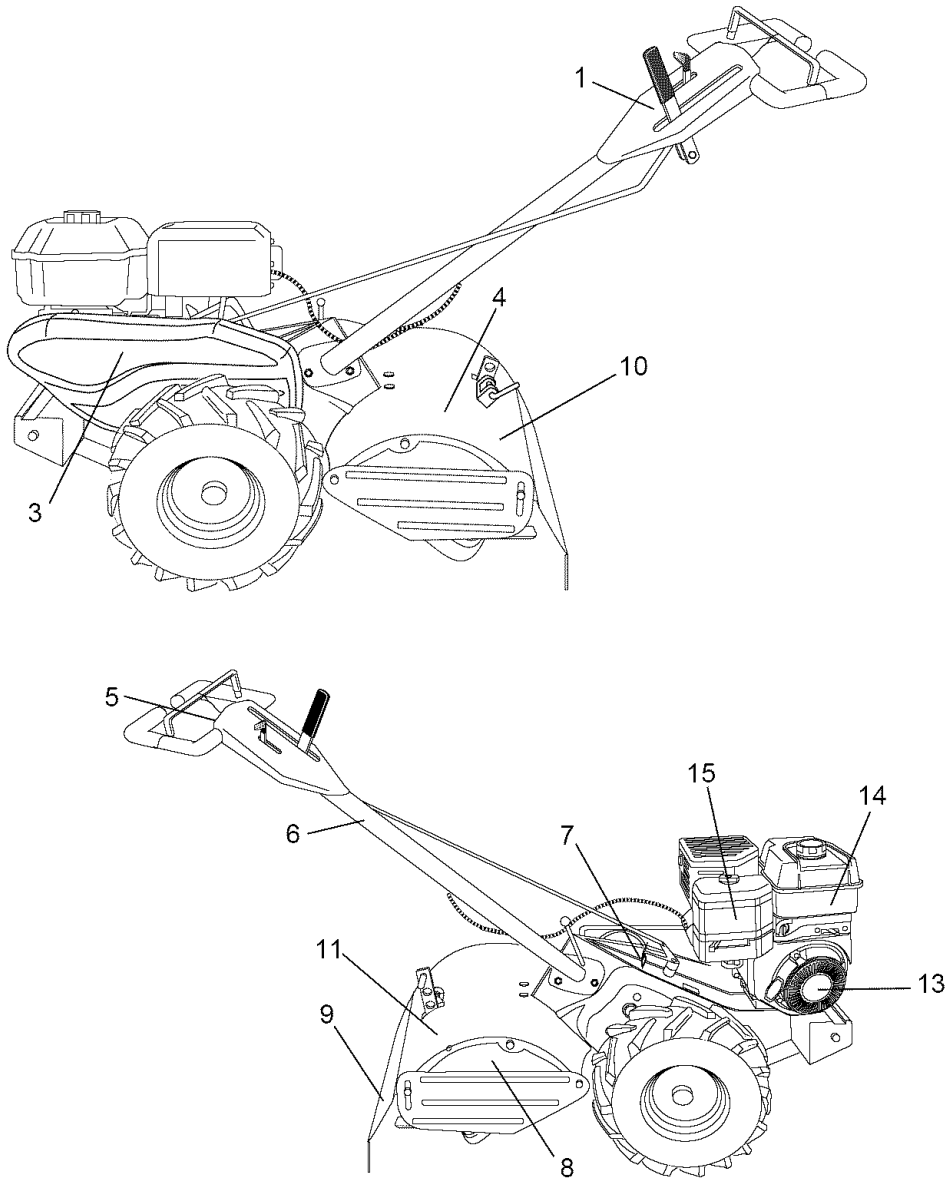
| KEY PART NO. | PART NO. | DESCRIPTION                   |
|--------------|----------|-------------------------------|
| 1            | 4459J    | Tine, Outer, L.H.             |
| 2            | 132673   | Pin, Shear                    |
| 3            | 6554J    | Tine, Inner, L.H.             |
| 4            | 3146R    | Clip, Hairpin                 |
| 5            | 132727   | Assembly, Hub and Plate, L.H. |
| 8            | 74610616 | Bolt, Hex 3/8-24 x 1          |
| 9            | 4460J    | Tine, Outer, R.H.             |

| KEY PART NO. | PART NO. | DESCRIPTION                   |
|--------------|----------|-------------------------------|
| 10           | 132728   | Assembly, Hub and Plate, R.H. |
| 11           | 6555J    | Tine, Inner, R.H.             |
| 34           | 73540600 | Nut Crownlock 3/8-24          |

**NOTE:** All component dimensions given in U.S. inches. 1 inch = 25.4 mm

**DECALS**

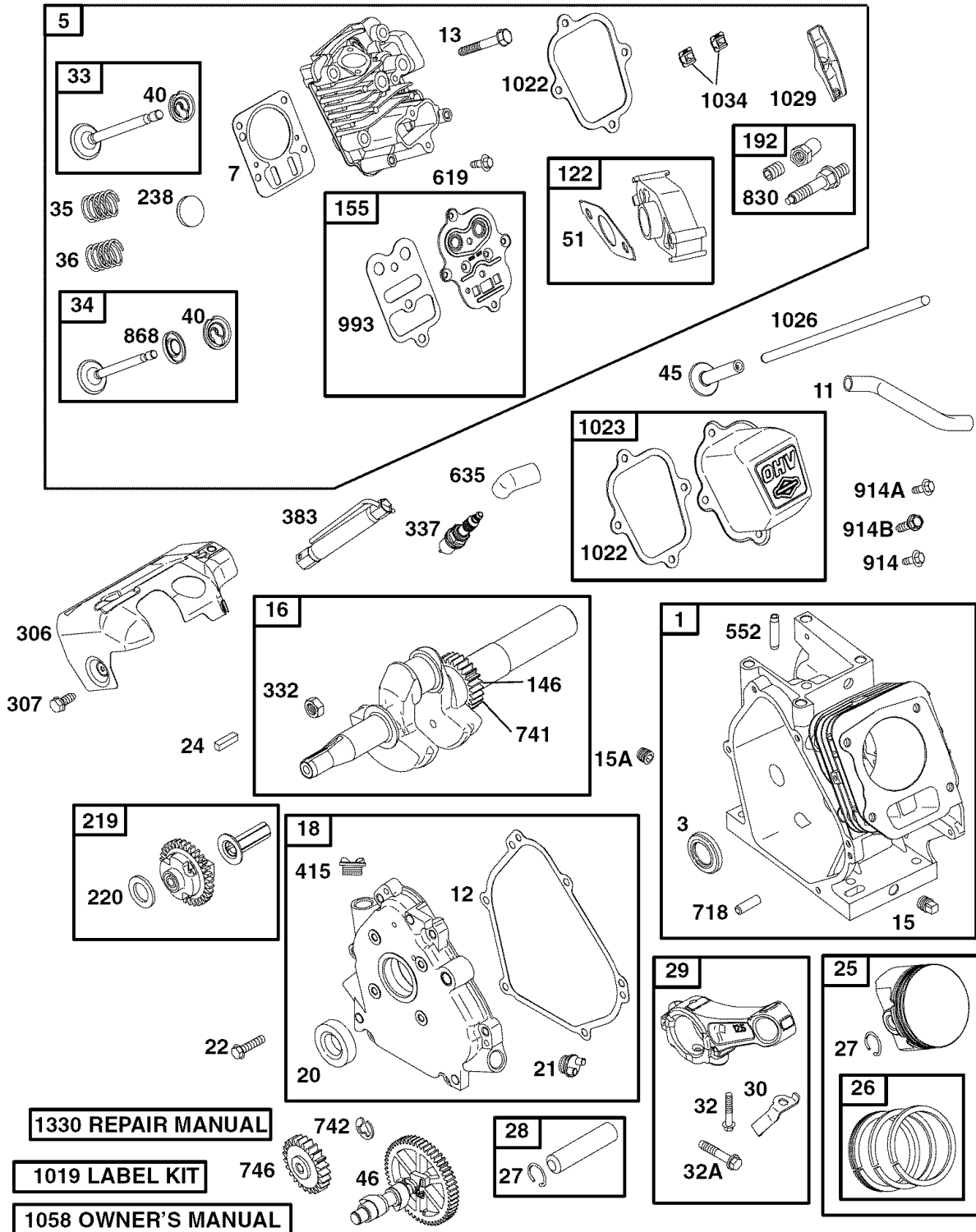
**TILLER - - MODEL NUMBER 917.294484**



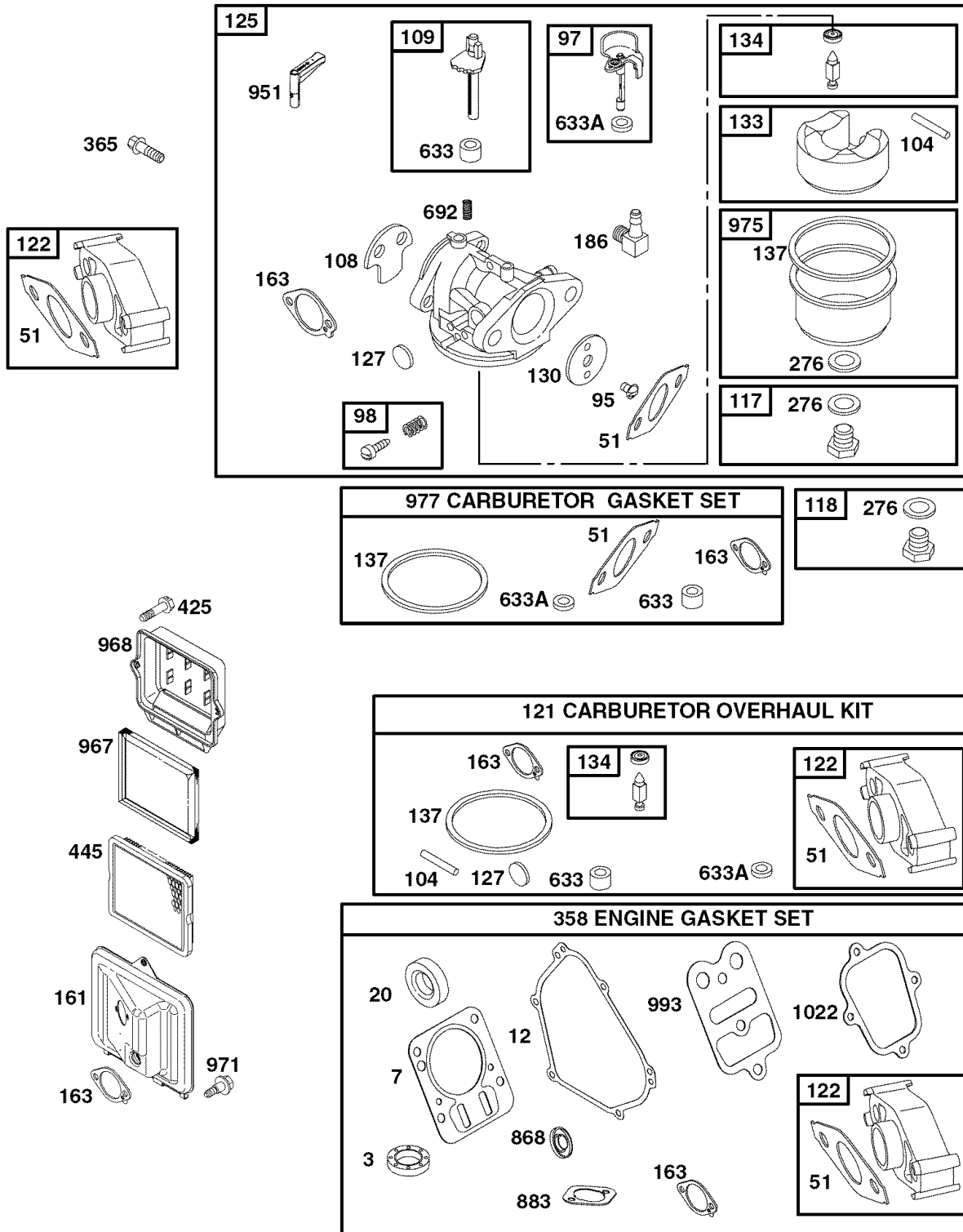
| KEY PART NO. | PART NO. | DESCRIPTION                                 |
|--------------|----------|---|
| 1            | 176740   | Decal, Service CNTRL PNL                    |
| 3            | 176735   | Decal, Blt Guard                            |
| 4            | 166133   | Decal, Description                          |
| 5            | 137538   | Decal, Caution, Drive Control               |
| 6            | 120431X  | Decal, Hand Placement                       |
| 7            | 102180X  | Decal, Shift Indicator                      |
| 8            | 157984   | Decal, Tine, Shield, Counter Rotating Tines |
| 9            | 120075X  | Decal, Warning, Rotating Tines              |
| 10           | 163094   | Decal, Tine Depth Stake                     |
| 11           | 162215   | Decal, Tine, Shield, Warning Dom            |
| 13           | 171078   | Decal, Rewind                               |
| 14           | 167156   | Decal, Craftsman IC                         |
| 15           | 194914   | Decal, Intek                                |
| --           | 194964   | Manual, Owner's (Eng/Span)                  |



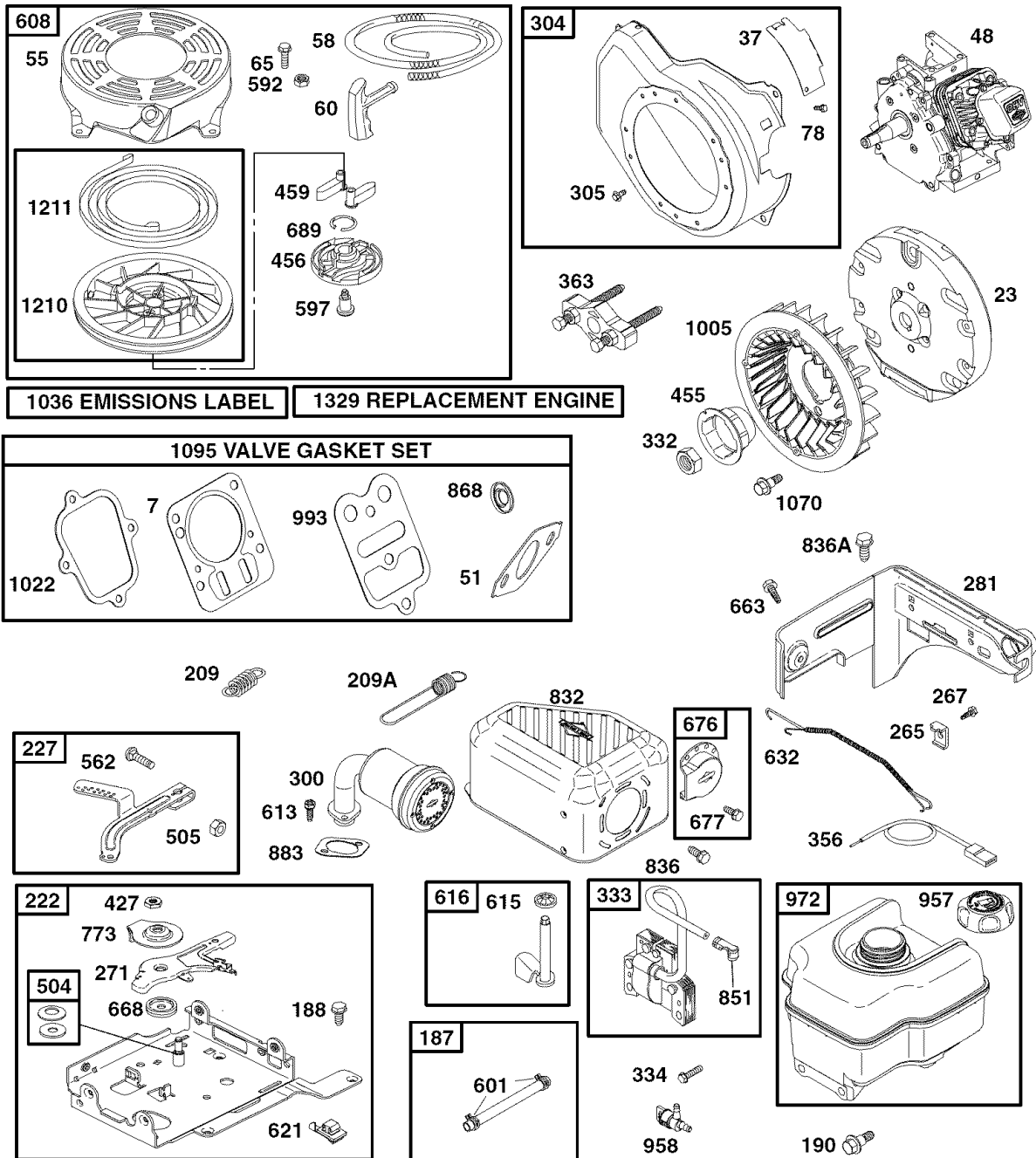
**TILLER - - MODEL NUMBER 917.294484**  
**ENGINE, BRIGGS & STRATTON - - MODEL NUMBER 120302-0432-E1**



**TILLER - - MODEL NUMBER 917.294484**  
**ENGINE, BRIGGS & STRATTON - - MODEL NUMBER 120302-0432-E1**



**TILLER - - MODEL NUMBER 917.294484**  
**ENGINE, BRIGGS & STRATTON - - MODEL NUMBER 120302-0432-E1**



**TILLER - - MODEL NUMBER 917.294484**  
**ENGINE, BRIGGS & STRATTON - - MODEL NUMBER 120302-0432-E1**

| KEY NO. | PART NO. | DESCRIPTION                           | KEY NO. | PART NO. | DESCRIPTION                                       |
|---------|----------|---------------------------------------|---------|----------|---|
| 1       | 699510   | Cylinder Assembly                     | 161     | 790631   | Base-Air Cleaner                                  |
| 3       | 299819   | • Seal-Oil (Magneto Side)             | 163     | 696024   | •Ø‡ Gasket-Air Cleaner                            |
| 5       | 699486   | Head-Cylinder                         | 186     | 692317   | Connector-Hose                                    |
| 7       | 698210   | •+ Gasket-Cylinder Head               | 187     | 691050   | Line-Fuel (Cut to Required Length)                |
| 11      | 790632   | Tube-Breather                         |         |          |   |
| 12      | 699485   | • Gasket-Crankcase                    | 188     | 699479   | Screw (Control Bracket)                           |
| 13      | 699482   | Screw (Cylinder Head)                 | 190     | 699220   | Screw (Fuel Tank)                                 |
| 15      | 691686   | Plug-Oil Drain                        | 192     | 694543   | Adjuster-Rocker Arm                               |
| 15A     | 691682   | Plug-Oil Drain                        | 209     | 691278   | Spring-Governor                                   |
| 16      | 699445   | Crankshaft                            | 209A    | 692571   | Spring-Governor                                   |
| 18      | 699696   | Cover-Crankcase                       | 219     | 693578   | Gear-Governor                                     |
| 20      | 692550   | • Seal-Oil (PTO Side)                 | 220     | 691724   | Washer (Governor Gear)                            |
| 21      | 281658   | Cap-Oil Fill                          | 222     | 699589   | Bracket-Control                                   |
| 22      | 699478   | Screw (Engine Sump)                   | 227     | 692573   | Control Lever-Governor                            |
| 23      | 699488   | Flywheel                              | 238     | 691300   | Cap-Valve   |
| 24      | 222698   | Key-Flywheel                          | 265     | 691024   | Clamp-Casing                                      |
| 25      | 790359   | Piston Assembly (Standard)            | 267     | 699492   | Screw (Casing Clamp)                              |
| --      | 694168   | Piston Assembly (.020" Over-size)     | 271     | 694256   | Lever-Control                                     |
|         |          |                                       | 276     | 271716   | Sealing Washer                                    |
| 26      | 499631   | Ring Set-Piston (Standard)            | 281     | 699639   | Panel-Control                                     |
| --      | 692786   | Ring Set-Piston (.020" Over-size)     | 300     | 693593   | Muffler   |
|         |          |                                       | 304     | 699598   | Housing-Blower                                    |
| 27      | 691866   | Lock-Piston Pin                       | 305     | 699480   | Screw (Blower Housing)                            |
| 28      | 499423   | Pin-Piston                            | 306     | 693610   | Shield-Cylinder                                   |
| 29      | 690124   | Rod-Connecting                        | 307     | 699483   | Screw (Cylinder Shield)                           |
| 30      | 692562   | Dipper-Connecting Rod                 | 332     | 699359   | Nut (Flywheel)                                    |
| 32      | 691664   | Screw (Connecting Rod)                | 333     | 695711   | Armature-Magneto                                  |
| 32A     | 695759   | Screw (Connecting Rod)                | 334     | 699477   | Screw (Armature Magneto)                          |
| 33      | 499642   | Valve-Exhaust                         | 337     | 691043   | Spark Plug  |
| 34      | 499641   | Valve-Intake                          | 356     | 692390   | Wire-Stop   |
| 35      | 691304   | Spring-Valve (Intake)                 | 358     | 699638   | Gasket Set-Engine                                 |
| 36      | 691304   | Spring-Valve (Exhaust)                | 363     | 19069    | Flywheel Puller                                   |
| 37      | 699661   | Guard-Flywheel                        | 365     | 692568   | Screw (Carburetor)                                |
| 40      | 692194   | Retainer-Valve                        | 383     | 19374    | Wrench-Spark Plug                                 |
| 45      | 690977   | Tappet-Valve                          | 415     | 693463   | Plug  |
| 46      | 693404   | Camshaft                              | 425     | 699492   | Screw (Air Cleaner Cover)                         |
| 48      | N/A      | Short Block                           | 427     | 694255   | Nut (Control Bracket)                             |
| 51      | 692555   | •Ø‡+ Gasket-Intake                    | 445     | 491588   | Filter-Air Cleaner Cartridge                      |
| 55      | 691422   | Housing-Rewind Starter                | 455     | 692591   | Cup-Flywheel                                      |
| 58      | 693389   | Rope-Starter (Cut to Required Length) | 456     | 692299   | Plate-Pawl Friction                               |
|         |          |                                       | 459     | 281505   | Pawl-Ratchet                                      |
| 60      | 691915   | Grip-Starter Rope                     | 504     | 694254   | Washer Set  |
| 65      | 690837   | Screw (Rewind Starter)                | 505     | 691251   | Nut (Governor Control Lever)                      |
| 78      | 699228   | Screw (Flywheel Guard)                | 552     | 692346   | Bushing-Governor Crank                            |
| 95      | 691636   | Screw (Throttle Valve)                | 562     | 691112   | Bolt (Governor Control Lever)                     |
| 97      | 690024   | Shaft-Throttle                        | 592     | 690800   | Nut (Rewind Starter)                              |
| 98      | 398185   | Kit-Idle Speed                        | 597     | 691696   | Screw (Pawl Friction Plate)                       |
| 104     | 691242   | Ø Pin-Float Hinge                     | 601     | 95162    | Clamp-Hose  |
| 108     | 692567   | Valve-Choke                           | 608     | 497830   | Starter-Rewind                                    |
| 109     | 790624   | Shaft-Choke                           | 613     | 699209   | Screw (Muffler)                                   |
| 117     | 690048   | Jet-Main (Standard)                   | 615     | 692576   | Retainer-Governor Shaft                           |
| 118     | 498976   | Jet-Main (High Altitude)              | 616     | 692547   | Crank-Governor                                    |
| 121     | 696998   | Kit-Carburetor Overhaul               | 619     | 699230   | Screw (Cylinder Head Plate)                       |
| 122     | 693749   | • Ø Spacer-Carburetor                 | 621     | 692310   | Switch-Stop                                       |
| 125     | 698474   | Carburetor                            |         |          |   |
| 127     | 691739   | Ø Plug-Welch                          | •       |          | Included in Engine Gasket Set, Key. No. 358       |
| 130     | 691181   | Valve-Throttle                        | Ø       |          | Included in Carburetor Overhaul Kit, Key. No. 121 |
| 133     | 398187   | Float-Carburetor                      | ‡       |          | Included in Carburetor Gasket Set, Key. No. 977   |
| 134     | 398188   | Ø Kit-Needle/Seat                     | +       |          | Included in Valve Gasket Set, Key. No. 1095       |
| 137     | 693981   | Ø‡ Gasket-Float Bowl                  |         |          |   |
| 146     | 690979   | Key-Timing                            |         |          |   |
| 155     | 698214   | Plate-Cylinder Head                   |         |          |   |

**NOTE:** All component dimensions given in U.S. inches 1 inch = 25.4 mm

**TILLER - - MODEL NUMBER 917.294484**  
**ENGINE, BRIGGS & STRATTON - - MODEL NUMBER 120302-0432-E1**

| KEY NO. | PART NO.    | DESCRIPTION                     |
|---------|-------------|---------------------------------|
| 632     | 693408      | Spring/Link-Mechanical Governor |
| 633     | 693867      | ∅‡ Seal-Choke/Throttle Shaft    |
| 633A    | 691321      | ∅‡ Seal-Throttle Shaft          |
| 635     | 692076      | Boot-Spark Plug                 |
| 663     | 699492      | Screw (Control Panel)           |
| 668     | 694257      | Spacer                          |
| 676     | 393757      | Deflector-Muffler               |
| 677     | 690661      | Screw (Muffler Deflector)       |
| 689     | 691855      | Spring-Friction                 |
| 692     | 690572      | Spring-Detent                   |
| 718     | 690959      | Pin-Locating                    |
| 741     | 692565      | Gear-Timing                     |
| 742     | 692564      | Retainer-E Ring                 |
| 746     | 692566      | Gear-Idler                      |
| 773     | 694258      | Retainer                        |
| 830     | 694544      | Stud (Rocker Arm)               |
| 832     | 693583      | Guard-Muffler                   |
| 836     | 699203      | Screw (Muffler Guard)           |
| 836A    | 699632      | Screw (Muffler Guard)           |
| 851     | 493880      | Terminal-Spark Plug             |
| 868     | 692044      | •+ Seal-Valve                   |
| 883     | 691893      | • Gasket-Exhaust                |
| 914     | 699481      | Screw (Rocker Cover) (Bottom)   |
| 914A    | 692557      | Screw (Rocker Cover) (Top)      |
| 914B    | 697551      | Screw (Rocker Cover) (Center)   |
| 951     | 790630      | Lever-Choke                     |
| 957     | 694261      | Cap-Fuel Tank                   |
| 958     | 698180      | Valve-Fuel Shut Off             |
| 967     | 493537      | Filter-Pre Cleaner              |
| 968     | 790633      | Cover-Air Cleaner               |
| 971     | 690370      | Screw (Air Cleaner Base)        |
| 972     | 694260      | Tank-Fuel                       |
| 975     | 493640      | Bowl-Float                      |
| 977     | 697001      | Gasket Set-Carburetor           |
| 993     | 694088      | •+ Gasket-Cylinder Head Plate   |
| 1005    | 692592      | Fan-Flywheel                    |
| 1019    | 694851      | Kit-Label                       |
| 1022    | 691890      | •+ Gasket-Rocker Cover          |
| 1023    | 499924      | Cover-Rocker                    |
| 1026    | 790287      | Rod-Push                        |
| 1029    | 691230      | Arm-Rocker                      |
| 1034    | 691343      | Guide-Push Rod                  |
| 1036    | 790634      | Label-Emissions                 |
| 1058    | 274781      | Owner's Manual                  |
| 1070    | 692590      | Screw (Flywheel Fan)            |
| 1095    | 695289      | Gasket Set-Valve                |
| 1210    | 498144      | Assembly-Pulley/Spring (Pulley) |
| 1211    | 498144      | Assembly-Pulley/Spring (Spring) |
| 1329    | 121A02-0020 | Replacement Engine              |
| 1330    | 272147      | Repair Manual                   |

- Included in Engine Gasket Set, Key. No. 358
- ∅ Included in Carburetor Overhaul Kit, Key. No. 121
- ‡ Included in Carburetor Gasket Set, Key. No. 977
- + Included in Valve Gasket Set, Key. No. 1095

**NOTE:** All component dimensions given in U.S. inches 1 inch = 25.4 mm

## SERVICE NOTES

## SERVICE NOTES

# Get it fixed, at your home or ours!

## Your Home

For repair – **in your home** – of **all** major brand appliances, lawn and garden equipment, or heating and cooling systems, **no matter who made it, no matter who sold it!**

For the replacement parts, accessories and owner's manuals that you need to do-it-yourself.

For Sears professional installation of home appliances and items like garage door openers and water heaters.

**1-800-4-MY-HOME<sup>®</sup>** Anytime, day or night  
(1-800-469-4663) (U.S.A. and Canada)  
[www.sears.com](http://www.sears.com) [www.sears.ca](http://www.sears.ca)

## Our Home

For repair of carry-in products like vacuums, lawn equipment, and electronics, call or go on-line for the nearest **Sears Parts and Repair Center.**

**1-800-488-1222** Anytime, day or night (U.S.A. only)  
[www.sears.com](http://www.sears.com)

To purchase a protection agreement (U.S.A.) or maintenance agreement (Canada) on a product serviced by Sears:

**1-800-827-6655** (U.S.A.) **1-800-361-6665** (Canada)

Para pedir servicio de reparación a domicilio, y para ordenar piezas:

**1-888-SU-HOGAR<sup>SM</sup>**  
(1-888-784-6427)

Au Canada pour service en français:

**1-800-LE-FOYER<sup>MC</sup>**  
(1-800-533-6937)  
[www.sears.ca](http://www.sears.ca)



02410

© Sears, Roebuck and Co.

® Registered Trademark / <sup>TM</sup> Trademark / <sup>SM</sup> Service Mark of Sears, Roebuck and Co.

® Marca Registrada / <sup>TM</sup> Marca de Fábrica / <sup>SM</sup> Marca de Servicio de Sears, Roebuck and Co.

<sup>MC</sup> Marque de commerce / <sup>MD</sup> Marque déposée de Sears, Roebuck and Co.