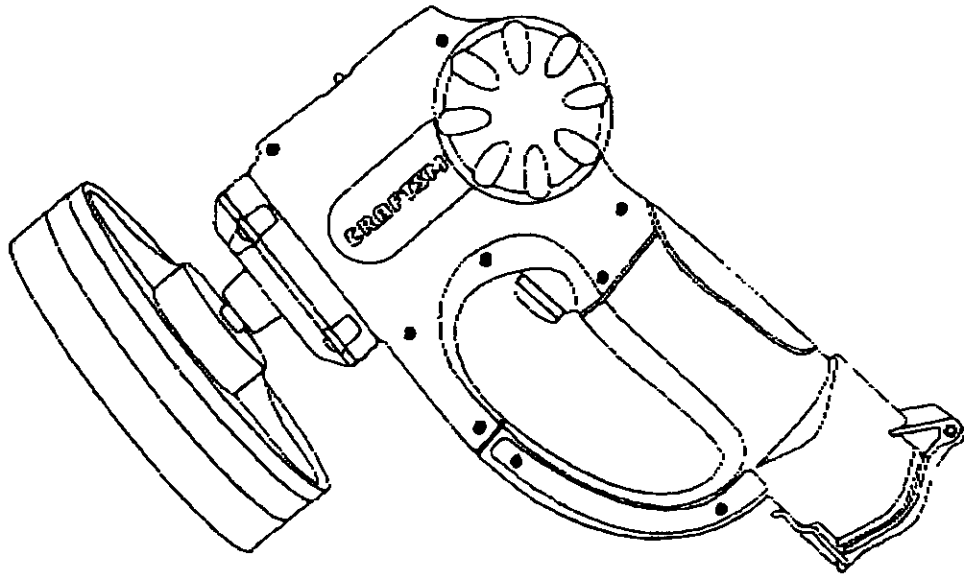


**Owner's Manual**

**CRAFTSMAN®**

**9.6 VOLT CORDLESS SCRUBBER /  
RECHARGEABLE WET AND DRY BRUSH**

**Model No.  
183.112290**



**CAUTION:**  
Before using this Cordless  
Scrubber, read this  
manual and follow all its  
Safety Rules and  
Operating instructions.

- Safety Instructions
- Accessories
- Assembly
- Operation
- Maintenance
- Parts List
- Español

**Sears, Roebuck and Co., Hoffman Estates, IL 60179 USA**  
Part. No. 183112290001 Rev. 0 01/07/03

# TABLE OF CONTENTS

SECTION	PAGE	SECTION	PAGE
Warranty .....	2	Know Your Scrubber .....	6
Product Specifications .....	2	Assembly & Operation .....	7 - 8
Scrubber Safety .....	3, 4	Lubrication .....	8
Accessories .....	4	Repair Parts .....	9 - 11
Carton Contents .....	4, 5	Parts & Service Availability .....	12

## WARRANTY

### FULL ONE YEAR WARRANTY

If this Cordless Scrubber falls due to a defect in material or workmanship within one year of date of purchase, Sears will at its option repair or replace it free of charge.

Return this Cordless Scrubber to a Sears Service Center for repair, or to place of purchase for replacement.

This warranty gives you specific legal rights, and you may also have other rights which may vary from state to state.

Sears, Roebuck and Co., Dept. 817 WA, Hoffman Estates, IL 60179

#### **▲ WARNING**

Some dust created by power sanding, sawing, grinding, drilling and other construction activities contains chemicals known (to the State of California) to cause cancer, birth defects or other reproductive harm. Some examples of these chemicals are:

- Lead from lead-based paints
- Crystalline silica from bricks, cement and other masonry products
- Arsenic and chromium from chemically treated lumber

Your risk from these exposures varies, depending on how often you do this type of work. To reduce your exposure to these chemicals, work in a well ventilated area and work with approved safety equipment such as those dust masks that are specially designed to filter out microscopic particles.

## PRODUCT SPECIFICATIONS

Tool		Charger	
Voltage .....	9.6 Volts DC	Input .....	110-120 Volt AC / 60 Hz
Maximum Torque .....	12.75 Nm	Output .....	16 Volts DC / 400 mA
Speed (no load) .....	230 / 730 RPM	Charging Time .....	3 to 5 hours

#### **▲ WARNING**

To avoid electrical hazards, fire hazards or damage to the battery charger, use proper circuit protection while charging the battery.

This battery charger is wired at the factory for 110-120 Volt operation. It must be connected to a 110-120 Volt / 15 Ampere time delay fuse or circuit breaker. To avoid shock or fire, replace power cord immediately if it is worn, cut or damaged in any way.

Before using your scrubber or battery charger, it is critical that you read and understand these safety rules. Failure to follow these rules could result in serious injury to you or damage to the battery charger.

# SCRUBBER SAFETY

## **▲ WARNING**

**Before using your scrubber, it is critical that you read and understand these safety rules. Failure to follow these rules could result in serious injury to you or damage to the scrubber.**

### GENERAL SAFETY

Good safety practices are a combination of common sense, staying alert and understanding how to use your power tool. To avoid mistakes that could cause serious injury, do not attempt to operate your scrubber until you have read and understood the following safety rules:

- **READ** and become familiar with this entire Owner's Manual. **LEARN** the tool's applications, limitations and possible hazards.

## **▲ WARNING**

Look for this symbol that identifies important safety precautions. It means **CAUTION! BECOME ALERT! YOUR SAFETY IS INVOLVED!**

## **▲ WARNING**

Follow these safety rules to reduce the risk of fire, electrical shock or injury.

- Keep children away from work area. Do not allow children to use this tool, as it is not a toy.
- Do not put battery charger in water or any other liquid. Doing so could result in risk of electrical shock.
- Do not operate the scrubber in the presence of explosives and/or flammable liquids.
- Always wear eye protection and rubber gloves when using the scrubber with irritating substances.
- Keep hair, loose clothing and all parts of your body away from moving parts.
- Do not attempt to insert or remove accessories when scrubber is running.
- Do not immerse scrubber in liquid without battery cover locked in place.
- Only use this scrubber for household use. It is not to be used for commercial or industrial purposes.
- Do not use for purposes other than described in this Owner's Manual.
- Use only accessories recommended in this Owner's Manual.

### BATTERY & CHARGER SAFETY

- Do not store or carry battery so that metal objects can contact exposed metal end. Do not place battery in aprons, pockets, drawers, etc. with loose nails, screws, keys etc. The battery could short circuit causing a fire, personal injury or damage to the battery.
- Never attempt to open the battery for any reason. If the housing of the battery breaks or cracks, immediately discontinue use and do not recharge.
- Do not charge the battery if it is wet or shows any evidence of corrosion.
- Do not incinerate the battery. It can explode in a fire.
- A small leakage from the battery may occur under extreme usage, charging or temperature conditions. This does not indicate a failure. If however, the outer seal is broken and this leakage gets on your skin, follow these steps:
  1. Wash quickly with soap and water
  2. Neutralize with a mild acid such as lemon juice or vinegar
  3. If liquid gets into your eyes, flush immediately with clean water for a minimum of 10 minutes and seek medical attention.  
NOTE: The liquid is 20-35% solution of potassium hydroxide.
- Do not use an extension cord. Plug the charger cord directly into an electrical outlet.
- Use the charger only in a standard 110-120V/60Hz electrical outlet.
- Charge the battery only with the charger supplied with the scrubber.
- Do not use the charger in wet or damp conditions. It is intended for indoor use only. Do not use the charger near sinks or tubs. Do not immerse the charger in water.
- Do not allow the cord to hang over the edge of a table or counter or touch hot surfaces. The charger should be placed away from sinks and hot surfaces.

# SCRUBBER SAFETY / CARTON CONTENTS

## BATTERY & CHARGER SAFETY - cont'd

- Do not use charger to charge any batteries other than the scrubber batteries. Other batteries may explode.
- Do not operate charger if cord or plug is damaged. Replace damaged cords and plugs immediately.
- Do not operate charger if it has received a sharp blow, been dropped or otherwise damaged in any way. Have a qualified technician examine the charger and repair it if necessary. Do not disassemble the charger.
- For best results, do not charge the battery when the battery or air temperature is below 50°F (10°C) or above 105°F (40°C).
- Unplug the charger when not in use and before cleaning or maintenance.
- Do not abuse the cord. To reduce the risk of damage to the electric cord or plug, never carry the charger by the cord or yank the cord to pull the plug. Always grasp the plug and pull to disconnect. Always keep the cord away from heat, oil and sharp edges.

## ACCESSORIES

### AVAILABLE ACCESSORIES

#### **▲ WARNING**

Use only accessories recommended for this scrubber. Follow instructions that accompany accessories. Use of improper accessories may cause injury to the operator or damage to the scrubber.

Visit your Sears Hardware Department or see the Sears Power and Hand Tool Catalog for an assortment of accessories recommended for use with this scrubber.

- Brushes
- Wax pads
- Wax sponges
- Wax nets
- Buffing cloths
- Wax
- Detergent

## CARTON CONTENTS

### UNPACKING AND CHECKING CARTON CONTENTS

#### **▲ WARNING**

If any part is missing or damaged, do not plug the charger into the power source or attempt to use the scrubber until the missing or damaged part is replaced.\*

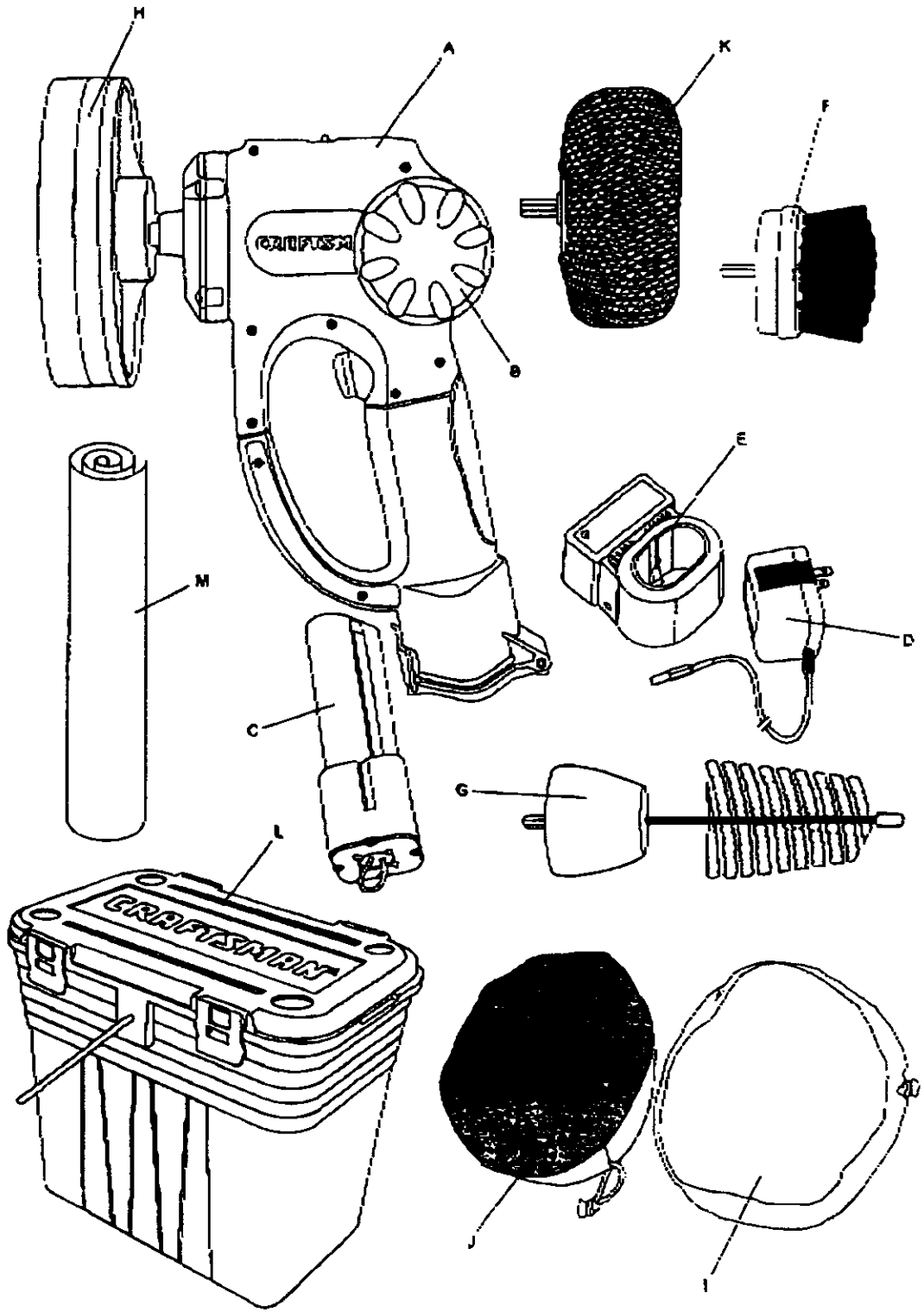
Carefully unpack the scrubber and all its components. Compare against the "Scrubber Components" chart below. NOTE: See Page 5 for illustration of components.

#### **▲ WARNING**

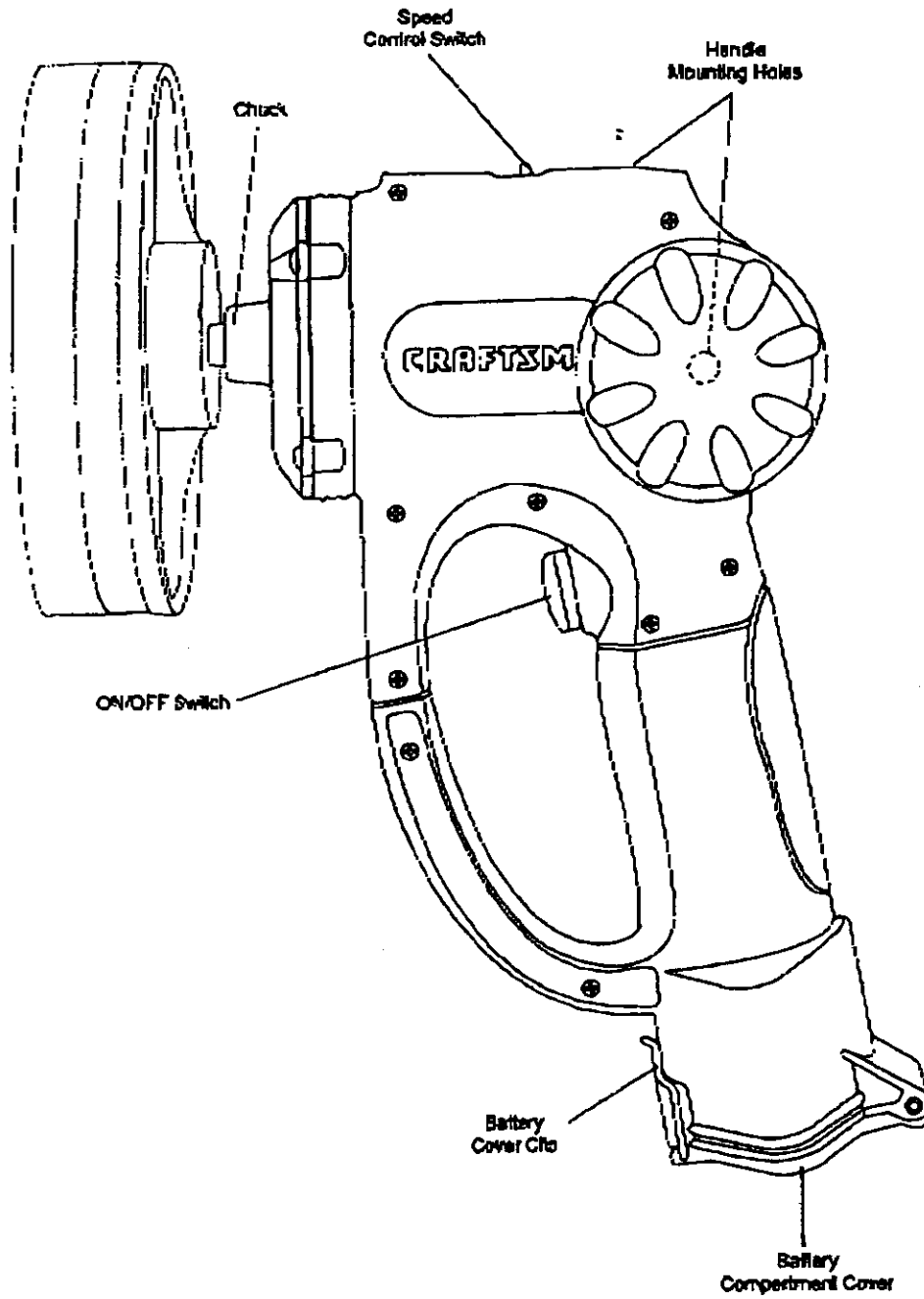
To avoid fire or toxic reaction, never use gasoline, naphtha, acetone, lacquer thinner or similar highly volatile solvents to clean the scrubber.

SCRUBBER COMPONENTS		
KEY	DESCRIPTION	QTY
A	Scrubber Motor Unit	1
B	Handle	1
C	Battery	1
D	Battery Charger with Cord	1
E	Battery Charging Stand	1
F	Scrub Brush	1
G	Cone Scrub Brush	1
H	Scrub Pad	1
I	Washing Cloth	1
J	Polishing Cloth	1
K	Wax Applicator	1
L	Scrub Bucket / Pail with Lid	1
M	Owner's Manual	1

# CARTON CONTENTS



# KNOW YOUR SCRUBBER



# ASSEMBLY & OPERATION

## CHARGING THE BATTERY

1. Place the charging stand near a 110-120V/60Hz electrical outlet.
2. Insert the battery (1) into charging stand (2) (see Fig. 1).  
**NOTES:**
  - a) Make sure the key (3) on the battery slides into the slot (4) in the charging stand.
  - b) Push battery fully into the charging stand so the terminals make contact with the matching terminals in the charging stand.
3. Plug the small battery charger plug (5) into the receptacle (6) in the side of the charging stand.
4. Plug the battery charger (7) into the 110-120V/60Hz wall receptacle.  
**NOTE:** The red indicator light (8) will come ON indicating the battery is charging. The red light will remain ON as long as the battery is in the charger. If indicator light does not come ON, check to make sure battery is inserted fully into the charging stand with the key & slot matching and the electrical outlet is "live".

### NOTES:

- a) Use pull-out loop (9) on the end of the battery to remove it from the scrubber cavity.
- b) A new battery or one that is completely run down should be charged for 5 hours. After normal use, a battery should be fully charged in about 3 hours or less.
- c) It is normal for the battery charger to hum and be warm to the touch during operation.
- d) If the battery does not charge properly, check to make sure the electrical outlet is "live" and that the air surrounding the battery and charger is between 50°F (10°C) and 105°F (40°C).

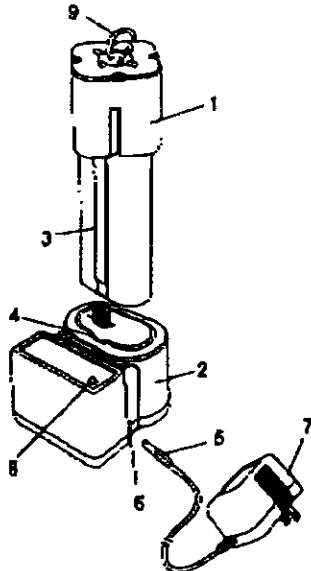


Fig. 1

## INSTALLING NEW BATTERY

1. Open the battery compartment cover (1) by pulling the battery compartment latch (2) outward (see Fig. 2).
2. Remove old battery by pulling it out using the pull-out loop on the end of the battery.
3. Slide the new battery into the scrubber.  
**NOTE:** Make sure the battery key (3) and slot in the cavity match up, and that the battery slides all the way into the cavity.
4. Close the battery compartment door and lock the latch by snapping it back into place.

### WARNING

Do not immerse battery pack in water. Sudden cooling could cause hot battery to explode or leak.

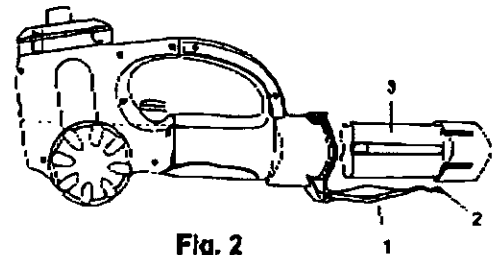


Fig. 2

## OPERATION

### ATTACHING & REMOVING ACCESSORIES

1. To attach an accessory, simply push the bit (1) firmly into the chuck (2) (see Fig. 3).
2. To remove an accessory, pull the bit out of the bit holder.

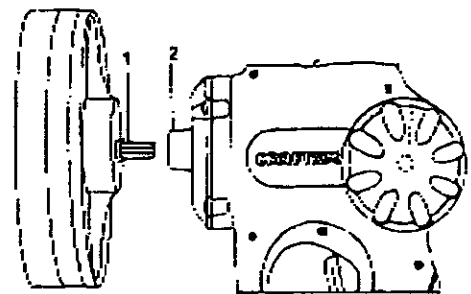


Fig. 3

# ASSEMBLY & OPERATION

## SELECTING THE CORRECT ACCESSORY

See pages 4 & 5 for illustration of accessories. Use these accessories as follows:

Accessory	Suggested Use
Scrub Brush	• Scrubbing medium sized areas
Cone Scrub Brush	• Scrubbing small areas that are hard to reach
Washing Cloth	• Washing flat surfaces
Polishing Cloth	• Buffing of wax
Wax Applicator	• Applying wax to small areas

## INSTALLING HANDLE

Install handle in the position that best suits your comfort while providing the best control over the scrubber.

To install handle (1), simply insert the threaded portion into one of the three threaded holes provided (2) and turn clockwise until tight (see Fig. 4).

NOTE: Three threaded holes are provided, one on the top and one on each side of the scrubber.

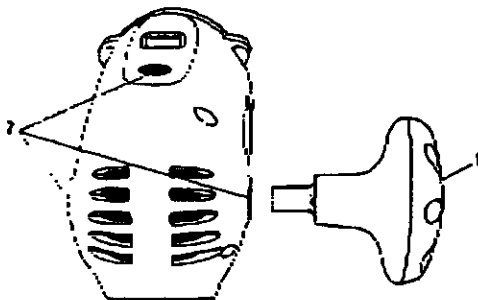


Fig. 4

## USING THE SCRUBBER

1. Set the speed control switch (1) to the desired speed. Push speed control switch down for slow speed operation (see Fig. 5). Pull speed control switch up for higher speed operation.  
NOTE: Do NOT change the speed control switch position while scrubber is turned ON. Damage to the gears may result.
2. Install the correct accessory for the work being done.

## USING THE SCRUBBER – cont'd

3. Wet surface to be scrubbed and scrubber brush or pad. Place the scrubber brush or pad on the surface to be scrubbed before turning switch ON to prevent excessive splashing.
4. Turn scrubber ON by depressing and releasing the switch (2).
5. Move scrubber in circular motion while scrubber is operating and in contact with the surface being scrubbed. Do not apply excessive pressure.
6. Turn switch OFF by depressing and releasing the switch.  
NOTE: To reduce splatter, turn scrubber OFF before lifting the scrubber pad away from the surface.

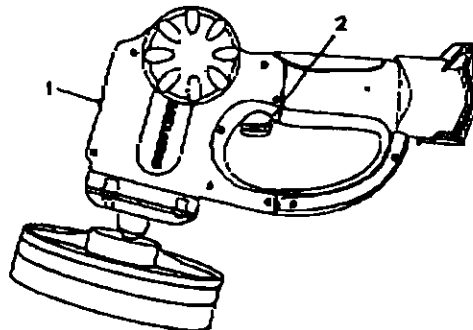


Fig. 5

## CLEANING SCRUBBER & ACCESSORIES

Rinse scrub pad and brushes by dipping the scrubber into a bucket of water or running under a faucet.  
NOTE: When immersing scrubber in water, DO NOT cover the unit with more than 1 Meter (3 Feet) of water. Do not leave the scrubber immersed for more than 45 minutes.

## CLEANING & STORAGE

- For best results, always thoroughly clean scrub pads and brushes with a mild detergent, rinse with clean water and dry immediately after each use.
- Clean scrubber with a damp sponge and mild detergent.
- Store scrubber and accessories indoors in a clean dry location.

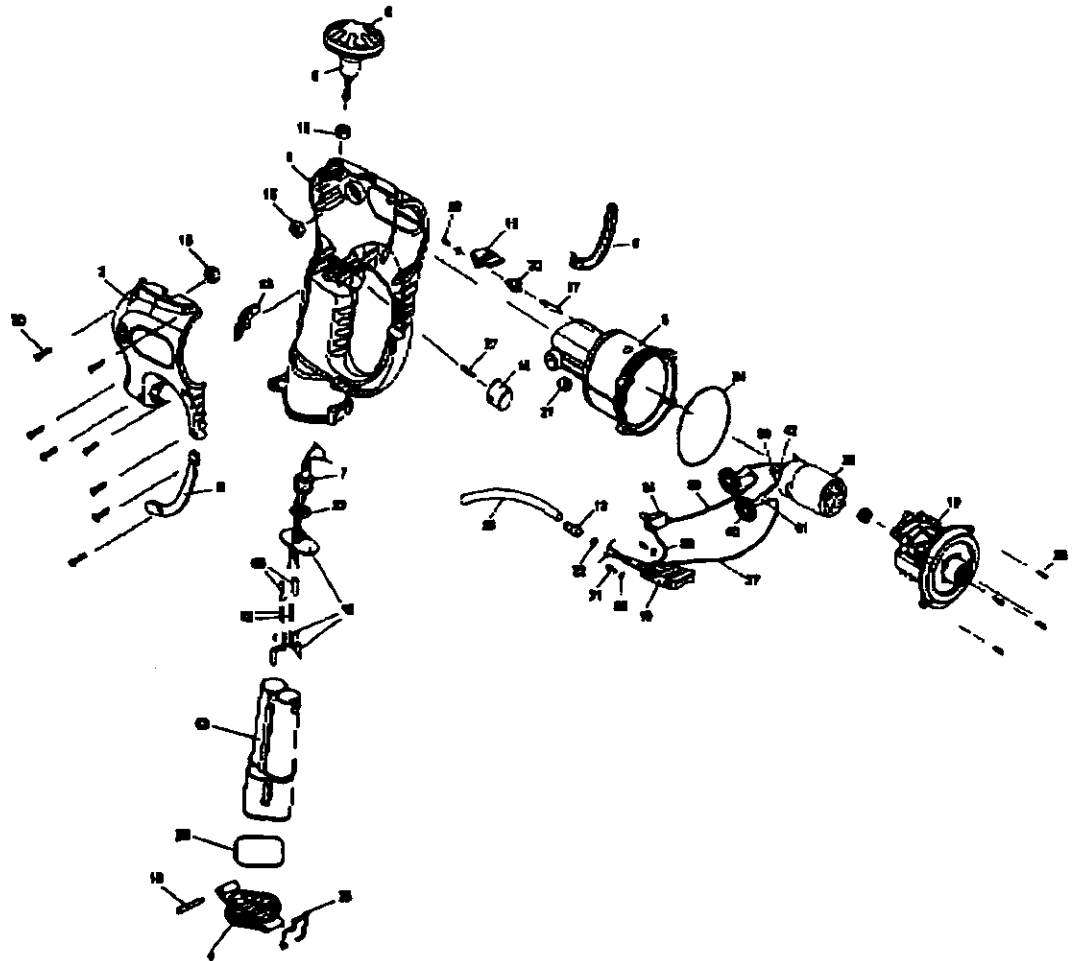
## LUBRICATION

All of the bearings in this scrubber are lubricated with a sufficient amount of high grade lubricant for the life of the unit under normal conditions. Therefore, no further lubrication is required.



**PARTS DIAGRAM – MODEL 183.112290**

**Scrubber**



# PARTS LIST – MODEL 183.112290

## WARNING

When servicing use only CRAFTSMAN replacement parts. Use of any other parts may create a HAZARD or cause damage to your Scrubber.

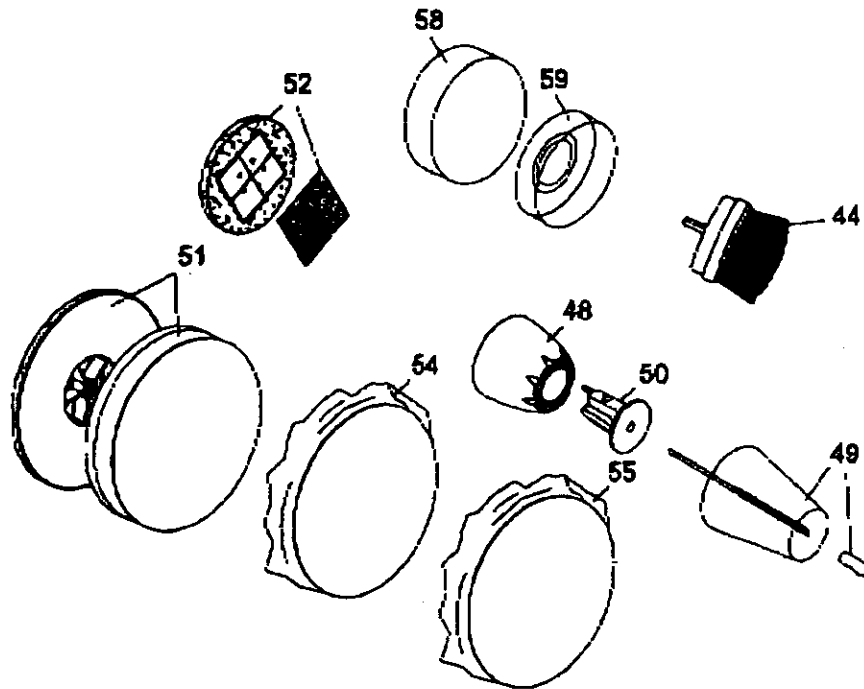
Any attempt to repair or replace electrical parts on this Scrubber may create a hazard unless repair is performed by a qualified technician. Repair service is available by contacting your nearest Sears Service Center.

Always order by PART NUMBER, not by key number.

## Scrubber

Key #	Part #	Part Name	Qty	Key #	Part #	Part Name	Qty
1	0830-PA0001-00	Scum Left Cab	1	24	01AR-000031-00	Front Housing O-ring	1
2	0830-PA0002-00	Scum Right Cab	1	25	01AR-000032-00	Battery Door O-ring	1
3	0830-PA0003-00	Front Housing	1	26	01AT-000042-00	Silicon Tube	1
4	0830-PA0004-00	Scum Bar Cover	1	27	02AH-000095-00	Main Switch Return Spring	1
5	0830-PA0005-00	Scum Handle Top Cover	1	28	02AH-000090-00	Battery Door Spring	1
6	0830-PA0006-00	Scum Handle Bottom	1	29	02AS-000285-00	Screw	4
	02AS-000284-00	Screw	1	30	02AS-000163-AD	Screw	10
7	0830-PA0007-00	Nozzle	1	31	02AS-000282-00	Screw	2
8	0830-PA0008-00	Handle Cover Left	1	32	02AS-000290-00	Screw	1
9	0830-PA0009-00	Handle Cover Right	1	33	02AW-000062-00	Spring Washer	2
10	0830-PA0010-00	Switch Bracket	1	34	03AS-000142-00	Main Switch	1
11	0830-PA0011-00	Scum 2P Switch	1	35	03AM-000012-00	Motor	1
12	0830-PA0012-00	M7 Nozzle	1	36	03AY-000048-00	Wire	1
13	0830-PA0013-00	Switch Lever	1		03AY-000049-10	Wire	1
14	0830-PA0014-00	Scum Switch	1		03AY-000049-C0	Wire	1
15	0830-PA0015-00	M8 Nut	3	37	03AY-000049-00	Wire	1
	0830-SAM001-00		1		03AY-000049-10	Wire	1
	0830-PA0016-00	Cell Contact	1		03AY-000049-C0	Wire	1
	0830-MA0001-00	Battery Contact Positive	1		03AY-000049-00	Wire	1
	0830-MA0002-00	Battery Contact Negative	1		38	03AY-000049-00	Wire
02AR-000016-F0	Rivet	2	03AY-000049-00	Wire		1	
17	0830-MA0003-00	Speed Control Pin	2	39	03AC-000045-00	Capacity	2
18	0830-MA0004-00	Batt Door Hinge Pin	2	40	04AM-000047-00	O Magnet	2
19	DW03	Scumbar Gear Box	1	41	01AT-000011-B0	Heat Shrink Tube	2
20	01AR-000029-00	Rubber Cap (speed)	1	42	01AT-000024-00	PVC Tube	2
21	01AR-000030-00	Rubber Cap Switch	1	43	4012	Battery Pack	1
22	01AR-000027-00	Writing Outlet O-ring	1	62	03AT-000030-00	Terminal	2
23	01AR-000035-00	Battery Compartment O-ring	1	63	01AT-000025-AD	Heat Shrink Tube	2

# ACCESSORIES – MODEL 183.112290



Key #	Part #	Part Name	Qty	Key #	Part #	Part Name	Qty
<b>SCRUB BRUSH</b>				<b>SCRUB PAD</b>			
44	01AN-000028-00	Curved Brush Adaptor+bristles	1	51	0830-SAND002-00	Polisher Assembly	1
	0830-PA0018-00	Curved Brush Adaptor	1		0830-PA0025-00	Polisher Adaptor	1
	0830-PA0017-00	Hex BR Insert	1		04AF-0041-00	Composing Foam	1
	0830-MA0006-00	M6 Hex Bit	1		0830-MA0008-00	M6 Hex Bit	1
<b>CONE SCREW BRUSH</b>					54	01AN-000018-00	Polisher Cloth
48	0830-PA0023-00	Brush Details Adaptor	1	55	01AN-000027-00	Washing Cloth	1
	0830-PA0017-00	Hex BR Insert	1	<b>WAX APPLICATOR</b>			
49	0830-SAND004-00	Tube brush Assembly	1	52	0830-SAND003-00	Sponge Assembly	1
	01AN-000028-00	Tube Brush	1		0830-PA0026-00	Brush Sponge Adaptor	1
	0830-PA0030-00	Cover	1		01AM-000010-00	Magic Tape	1
50	0830-PA0024-00	Tube Adaptor	1		0830-PA0017-00	Hex BR Insert	1
				58	04AF-000042-00	Wax Sponges	1
				59	01AN-000024-00	Wax Net	1