

RANGE HOOD

Model Number:	JXT8030ADS	JXT8036ADS	JXT8042ADS
Manufacturer Number:	S99E30S	S99E36S	S99E42S
Size:	30"	36"	42"

INSTALLATION GUIDE

TABLE OF CONTENTS

Safety Instructions.....	1
List of Materials.....	2
Mounting Heights.....	3
Ducting.....	4
Specifications.....	5
Installation.....	6-7



INSTALLATION GUIDE

Read all Instructions before Installing and operating this appliance

MODELS: JXT8030ADS JXT8036ADS JXT8042ADS

IMPORTANT SAFETY NOTICE



WARNING

Installation

The installation in this manual is intended for qualified installers, service technicians or persons with similar qualified background. DO NOT attempt to install this appliance yourself. Injury could result from installing the unit due to lack of appropriate electrical and technical background.

All electrical wiring must be properly installed, insulated and grounded. Overly accumulated grease in old duct work should be cleaned out or duct work should be replaced if necessary to avoid the possibility of a grease fire. Check all joints on duct work to insure proper connection and all joints should be properly taped.

** Please check for latest specification revisions before any custom work or cutouts.*

LIST OF MATERIALS

2

- 1 - Hood Body
- 1 - Duct Cover Assembly (2 pieces)
- 1 - Parts Bag:
 - 1 - Duct Cover Mounting Bracket
 - 2 - Mounting Brackets
 - Packet of Mounting Screws

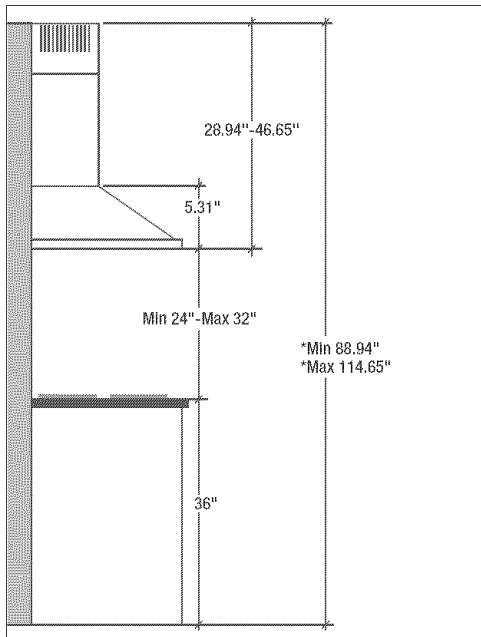
- 2 - Metallic Filters
- 1 - Metallic Butterfly Damper

NO DUCTING IS INCLUDED

INSTALLATION

3

MOUNTING HEIGHTS & CLEARANCE



Minimum mounting height between range top to hood bottom should be no less than 24".

Maximum mounting height should be no higher than 32".

It is important to install the hood at the proper mounting height. Hoods mounted too low could result in heat damage and fire hazard; while hoods mounted too high will be hard to reach and will lose performance and efficiency.

If available, also refer to range manufacturer's height clearance requirements and recommended hood mounting height above range.

Extension kits available to accommodate 9'-12' ceilings.

**Minimum ceiling clearance 88.94" at 24" hood mounting height.*

***Maximum ceiling clearance 114.65" at 32" hood mounting height.*

DUCTING

A minimum of 6" round or 3-1/4" x 10" rectangular duct must be used to maintain maximum air flow efficiency.

Always use rigid-type metal ducts only. Flexible ducts could restrict air flow by up to 50%.

Also use calculation (on right) to compute total available duct run when using elbows, transitions and caps.

ALWAYS, when possible, reduce the number of transitions and turns. If long duct run is required, increase duct size from 6" to 7 or 8". If a reducer is used, install a long reducer instead of a pancake reducer. Reduce duct size as far away from opening as possible.

If turns or transitions are required: Install as far away from opening and as far apart, between 2, as possible.

Minimum Duct Size:

Round- 6" minimum
Rectangular- requires an adaptor readily available at most hardware stores.

Duct Run Calculation:

Maximum run

6" or 3-1/4" x 10" duct	100 FT
Calculated Length:	
each 90 Elbow used	15 FT
each 45 elbow used	9 FT
each 6" to 3/14 x 10" transition used	1 FT
each 3/14 x 10" to 6" transition used	5 FT
Side Wall Cap w/ damper	30 FT
Roof Cap	30 FT

*e.g. - 1 roof cap, 2x90 elbows, 1 45 elbow used:
=30' + 30' + 9' =69' used, 31' available for straight duct runs.*

DUCTING

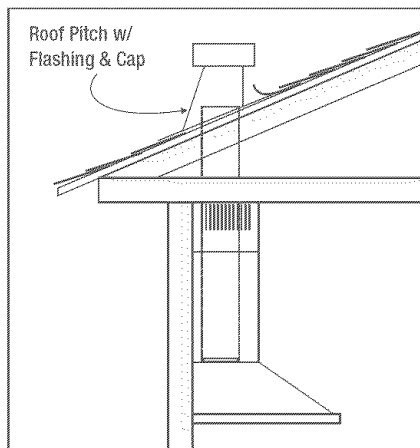
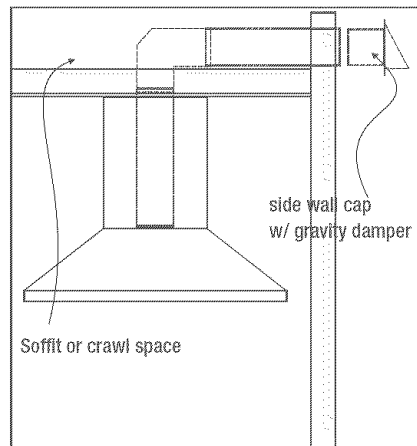
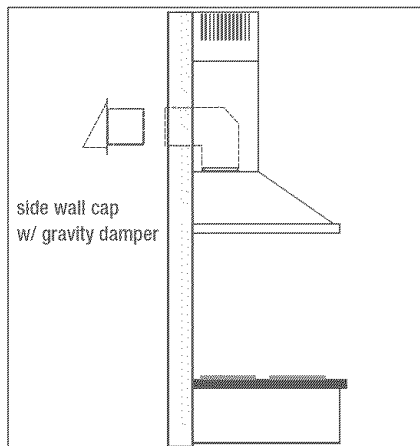
WARNING FIRE HAZARD

NEVER exhaust air or terminate duct work into spaces between walls, crawl spaces, ceiling, attics or garages. All exhaust must be ducted to the outside.

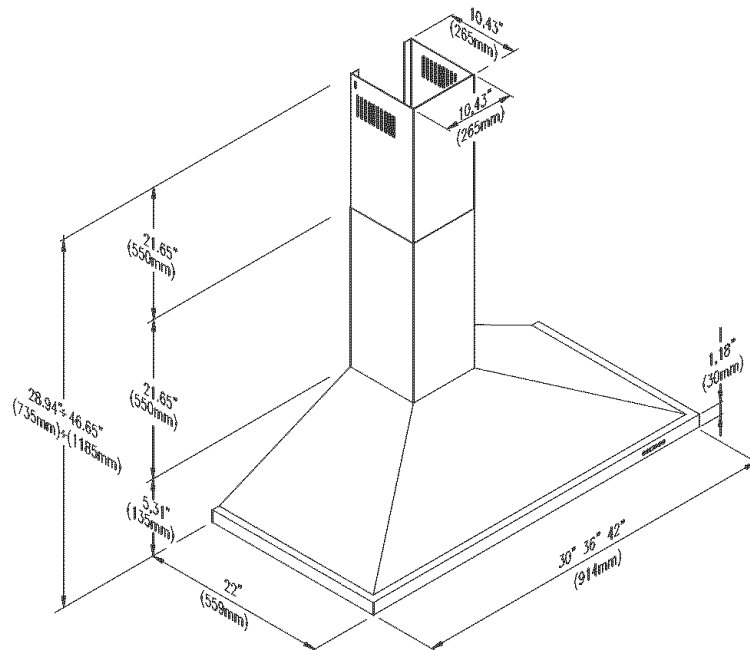
Use Metal ductwork only.

Fasten all connections with sheet metal screws and tape all joints w/ certified Silver Tape or DuctTape.

Some Ducting Options:



SPECIFICATIONS



ELECTRICAL



WARNING

All Electrical work must be performed by qualified electrician or person with similar technical know how and background.

For personal safety, remove house fuse or open circuit breaker before beginning installation.

Do not use extension cord or adapter plug with this appliance.

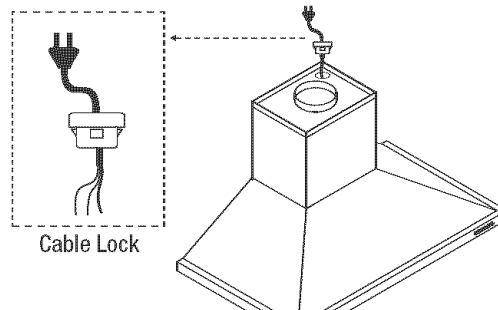
Follow National electrical codes or prevailing local codes and ordinances.

Electrical Supply:

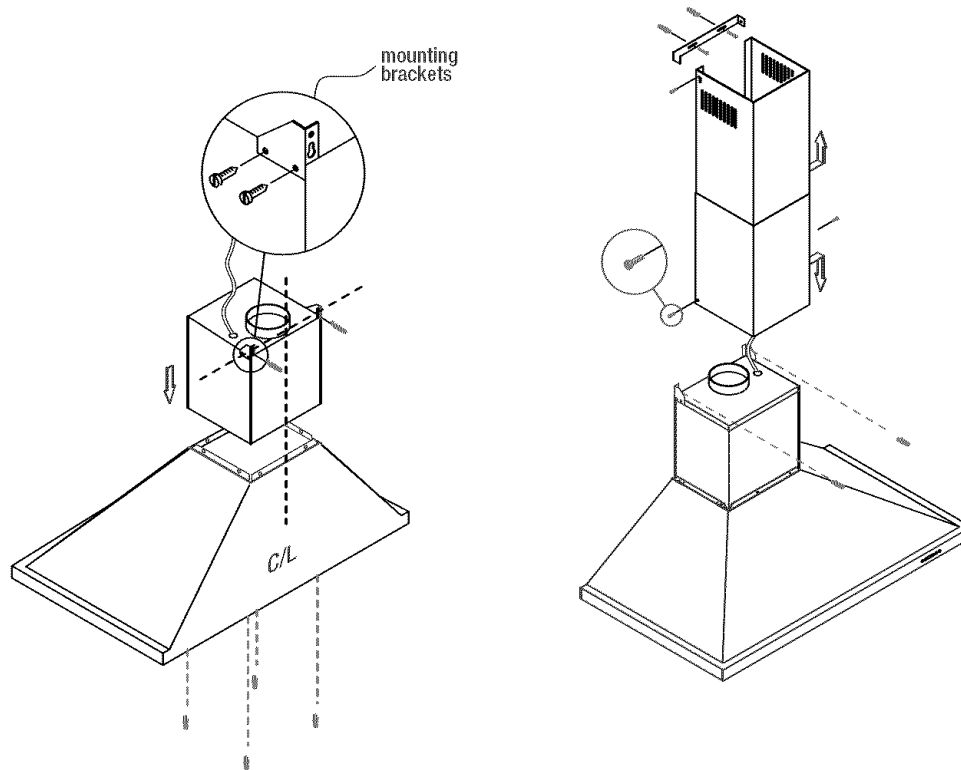
This appliance requires a 120V 60Hz electrical supply, and connected to an individual, properly grounded branch circuit, protected by a 15 or 20 ampere circuit breaker or time delay fuse. Wiring must be 2 wire w/ ground. Please also refer Electrical Diagram labeled on product.

Cable Lock:

A cable locking connector (not supplied) might also be required by local codes. Check with local requirements and codes, purchase and install appropriate connector if necessary.



MOUNTING THE RANGEHOOD



1. Screw mounting brackets onto left and right side of blower unit.
2. Attach blower to canopy, fasten with screws from below.
3. Determine hood height, center, mark, level and hang hood to wall through mounting keyholes on back.
4. Install duct work and electrical.
5. Locate and fasten bracket for upper telescopic duct cover onto the wall.
6. Slip upper and lower telescopic duct covers onto top of blower and screw in place.
7. Secure hood to wall studs whenever possible; use appropriate wall fasteners & hardware (not supplied) for hollow drywall, tiled, concrete, brick wall applications for mounting hood.

Note: Butterfly damper may be installed by placing it ontop of the motor housing.

DUCTLESS CONVERSION

Ductless conversion is intended for applications where an exhaust duct work is not possible to be installed. When converted, the hood functions as a "purifying" hood rather than an exhaust hood. Fumes and exhaust from cooking is drawn and filtered by a set of optional Carbon Filters. The air is then purified and re-circulated back within the home.

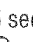


We recommend to ALWAYS exhaust air outside of the home by employing existing or installing new duct work, if possible. The hood is most effective and efficient as an Exhaust unit. Only when the exhaust option is not possible should you recourse to converting the hood into a "purifying" unit.

When converted to be a "purifying" unit, a set of Carbon Filters are required on top of its standard Metal Filter set. Order according to its Part number below. The standard Metal Filters are intended to capture residue from cooking and the optional Carbon Filters help to purify fumes exhausted from cooking for re-circulation.

Carbon Filters (Required)

1. Purchase ductless Carbon Filters as follows:

Hood Model:	Part No.	Filters in pkg.
JXT8030ADS	JFLTRC8030	2
JXT8036ADS	JFLTRC8036	3
JXT8042ADS	JFLTRC8036	3

2. Remove metal filters on hood. Clip carbon filters onto each slot opening.
3. Re-install metal filters.
4. Set filter change reminder for carbon filters. When Off, hold  for approx. 5 seconds. The display will change from  (exhaust mode) to , (purifying mode/ carbon filters used) this indicates that the elapse timer function is switched on and Carbon Filters are used.
5. Carbon Filters must be replaced after every 120 hours of use (or approximately every 2 to 3 months based on the average of 1-2 hrs. of daily cooking time). The microprocessor in the controls when set, will count usage time and indicate when carbon filter replacement is required.

Ducting

1. Install a 6" straight pipe and a "T" connector/ or a 90 elbow to divert air through louvers on duct cover.

