

RANGE HOOD

Model Number:	JXT9030CDP	JXT9036CDP	JXT9048CDP
Manufacturer Number:	MK7030	MK7036	MK7048
Size:	30"	36"	48"

USER GUIDE

TABLE OF CONTENTS

Safety Instructions.....	1
Controls & Features.....	2
Maintenance.....	3-4
Warranty.....	5

MK7030
MK7036
MK7048



USE AND CARE GUIDE

Read all Instructions before Installing and operating this appliance

MODELS: JXT9030 JXT9036 JXT9048

IMPORTANT SAFETY NOTICE



WARNING

Installation

The installation in this manual is intended for qualified installers, service technicians or persons with similar qualified background. DO NOT attempt to install this appliance yourself. Injury could result from installing the unit due to lack of appropriate electrical and technical background.

All electrical wiring must be properly installed, insulated and grounded. Overly accumulated grease in old duct work should be cleaned out or duct work should be replaced if necessary to avoid the possibility of a grease fire. Check all joints on duct work to insure proper connection and all joints should be properly taped.

Operations

Read all instructions in this manual before operating the appliance. Save these instructions for future reference.

Always leave safety grills and filters in place. Without these components, operating blowers could catch on to hair, fingers and loose clothing.

NEVER dispose cigarette ashes, ignitable substances, or any foreign objects into blowers.

NEVER leave cooking unattended. When frying, oil in the pan can easily overheat and catch fire. The risk of self combustion is higher when the oil has been used several times.

Cleaning

The saturation of greasy residue in the blower and filters may cause increased flammability. Keep unit clean and free of grease and residue build-up at all times to prevent possible fires.

Filters must be cleaned periodically and kept free from accumulation of cooking residue (see cleaning instructions inside). Old and worn filters must be replaced immediately. Do not operate blowers when filters are removed. Never disassemble parts to clean without proper instructions. Disassembly is recommended to be performed by qualified personnel only. Call our service center for removal instructions. 1-800-JENNAIR (USA and Canada), (1-800-536-6247)

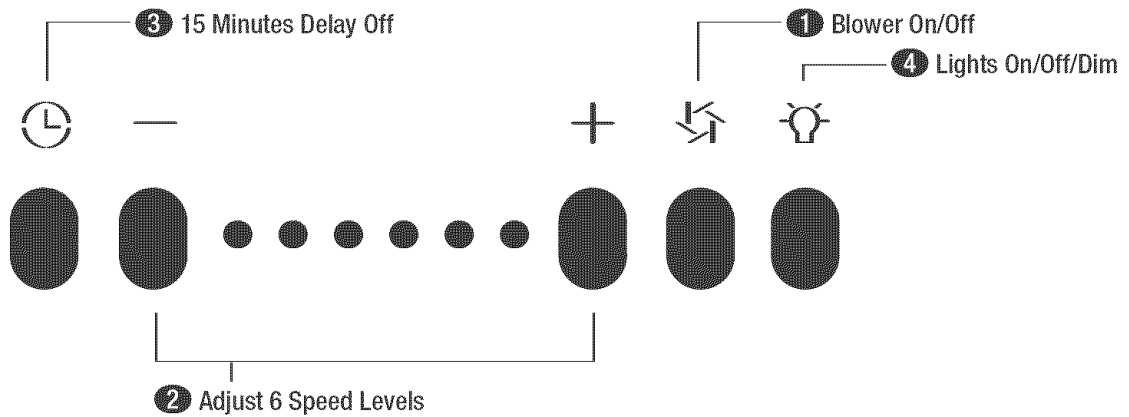
The manufacturer declines all responsibility in the event of failure to observe the instructions given here for installation, maintenance and suitable use of the product. The manufacturer further declines all responsibility for injury due to negligence and the warranty of the unit automatically expires due to improper maintenance.


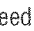
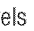



** Please check for latest specification revisions before any custom work or cutouts.*

CONTROLS & FEATURES

2

CONTROLS & FEATURES



- 1 Blower On/Off**
By pressing , the blower is switched On and Off.
- 2 Speed Selection**
The 6 speed levels are selected by pressing  to decrease and  to increase speed level. The display indicates level selected.
- 3 Delay Off**
This is used for programmed shut down of blower and lights 15 minutes after the function is activated. After pressing , the hood will completely shut down in 15 minutes.
- 4 Lights On/Off/Dim**
Switch lights On and Off by pressing  once. To dim lights, press and hold  for 2 seconds.

CLEANING

Surface Maintenance:

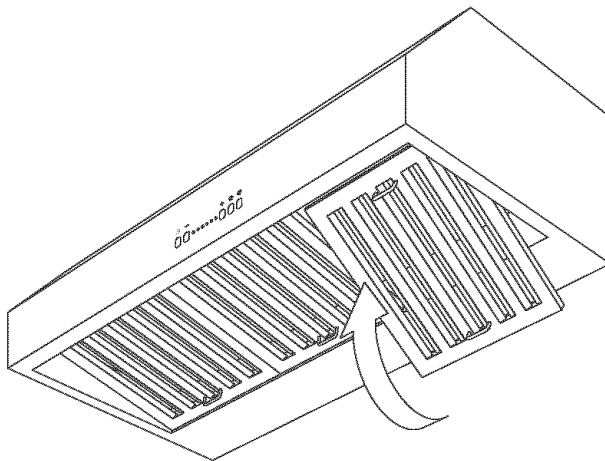
Clean periodically with hot soapy water and clean cotton cloth. Do not use corrosive or abrasive detergent (e.g. Comet powder scrub, Easy Off oven cleaner), or steel wool/scouring pads which will scratch and damage surface.

For heavier soil use liquid degreaser such as 'Formula 409' or 'Fantastic' brand cleaner.

After cleaning, you may use non abrasive stainless steel polish/ cleaners such as 3M or ZEP, to polish and buff out the stainless luster and grain. Always scrub lightly, with clean cotton cloth, and with the grain.

Stainless Steel Baffled Filters

The stainless steel baffled filters fitted by the factory are intended to trap residue and grease from cooking. Although the filters never need replacement, they are required to be kept clean. Filters should be cleaned after every 30 hours of use.



Removing Baffled Filters

1. Pull filter toward back of range hood using handles.
2. Pivot filter front upward.
3. Remove downwards to the rear.

30" - 2 filters

36" - 3 filters

48" - 4 filters

LIGHTS

Replacing Light Bulbs



CAUTION: Light bulb becomes extremely hot when turned on. **DO NOT** touch bulb until switched off and cooled. Touching hot bulbs could cause serious burns.

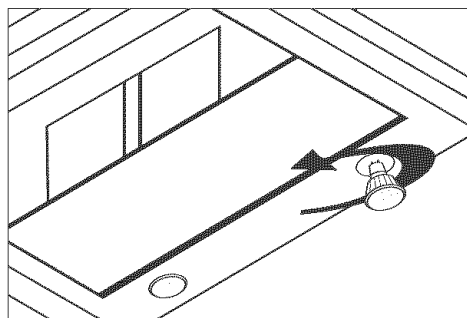
Make sure all power is turned off and bulbs are not hot.

Remove by turning bulb counter-clockwise.

If bulbs are difficult to remove due to prolonged use, firmly attach a glass suction cup (readily available at most lighting stores) approximately the diameter of the bulb and turn counter clockwise. You may also use a rubber or latex glove to get the same effect.

Replacement bulbs are available at specialty lighting stores. Purchase type GU10 120V 50W halogen bulbs.

Or to order bulbs, please call our service center: **1-800-JENNAIR (1-800-536-6247)**



30" - 2 bulbs
36" - 3 bulbs
48" - 4 bulbs

OPTIONAL ACCESSORIES

Model:	JXT9030CDP	JXT9036CDP	JXT9048CDP
Back Splash	JXA9003CDP	JXA9002CDP	JXA9001CDP
12" Duct Cover	JXA9030CDP	JXA9036CDP	JXA9048CDP

Warranty:**Full One Year Warranty - Parts and Labor**

For one (1) year from the original retail purchase date, any part which fails in normal home use will be repaired or replaced free of charge.

Limited Warranty - Parts Only

Second Year - After the first year from the original purchase date, parts which fail in normal home use will be repaired or replaced free of charge for the part itself, with the owner paying all other costs, including labor, mileage and transportation, trip change and diagnostic charge, if required.

Canadian Residents

The above warranties only cover an appliance installed in Canada that has been certified or listed by appropriate test agencies for compliance to a National Standard of Canada unless the appliance was brought into Canada due to transfer of residence from the United States to Canada.

*The specific warranties expressed above are the **ONLY** warranties provided by the manufacturer. These warranties give you specific legal rights, and you may also have other rights which vary from state to state.*

What is Not Covered By These Warranties:

1. Conditions and damages resulting from any of the following:
 - a. Improper installation, delivery, or maintenance.
 - b. Any repair, modification, alteration, or adjustment not authorized by the manufacturer or an authorized servicer.
 - c. Misuse, abuse, accidents, or unreasonable use.
 - d. Incorrect electric current, voltage, or supply.
 - e. Improper setting of any control.
2. Warranties are void if the original serial numbers have been removed, altered, or cannot be readily determined.
3. Light bulbs.
4. Products purchased for commercial or industrial use.
5. The cost of service or service call to:
 - a. Correct installation errors.
 - b. Instruct the user on the proper use of the product.
 - c. Transport the appliance to the servicer.
6. Consequential or incidental damages sustained by any person as a result of any breach of these warranties. Some states do not allow the exclusion or limitation of consequential or incidental damages, so the above exclusion may not apply.

If You Need Service

- Call the dealer from whom your appliance was purchased or call Maytag ServicesSM, Jenn-Air Customer Assistance at 1-800-JENNAIR (1-800-536-6247) USA and CANADA to locate an authorized servicer.
- Be sure to retain proof of purchase to verify warranty status. Refer to WARRANTY for further information on owner's responsibilities for warranty service.
- If the dealer or service company cannot resolve the problem, write to Maytag ServicesSM, Attn:CAIR® Center, P.O. Box 2370, Cleveland, TN 37320-2370, or call 1-800-JENNAIR (1-800-536-6247) USA and CANADA.

U.S. customers using TTY for deaf, hearing impaired or speech impaired, call 1-800-688-2080.

NOTE: When writing or calling about a service problem, please include the following information:

- a. Your name, address and telephone number;
 - b. Model number and serial number;
 - c. Name and address of your dealer or servicer;
 - d. A clear description of the problem you are having;
 - e. Proof of purchase (sales receipt)
- User's guides, service manuals and parts information are available from Maytag ServicesSM, Jenn-Air Customer Assistance.