

# 29 IN. (73.7 CM) GAS DRYER INSTALLATION INSTRUCTIONS

## INSTRUCCIONES DE INSTALACIÓN PARA LA SECADORA A GAS DE 29 PULG. (73,7 CM)

### Table of Contents / Índice

<b>DRYER SAFETY</b> .....	1	<b>SEGURIDAD DE LA SECADORA</b> .....	10
<b>INSTALLATION INSTRUCTIONS</b> .....	2	<b>INSTRUCCIONES DE INSTALACIÓN</b> .....	11
Tools and Parts .....	2	Herramientas y piezas .....	11
Location Requirements .....	3	Requisitos de localización .....	11
Electrical Requirements .....	4	Requisitos eléctricos.....	13
Gas Supply Requirements .....	4	Requisitos del suministro de gas.....	13
Venting Requirements.....	5	Requisitos de ventilación .....	15
Plan Vent System .....	6	Planificación del sistema de ventilación.....	15
Install Vent System.....	7	Instalación del sistema de ventilación .....	17
Install Leveling Legs.....	7	Instalación de las patas niveladoras.....	17
Level Dryer .....	8	Nivelación de la secadora.....	17
Make Gas Connection .....	8	Conexión del suministro de gas .....	17
Connect Vent.....	8	Conexión del ducto de escape.....	18
Reverse Door Swing (Optional).....	8	Cómo invertir el cierre de la puerta (opcional)....	18
Complete Installation .....	9	Complete la instalación .....	19

## DRYER SAFETY

### Your safety and the safety of others are very important.

We have provided many important safety messages in this manual and on your appliance. Always read and obey all safety messages.



This is the safety alert symbol.

This symbol alerts you to potential hazards that can kill or hurt you and others.

All safety messages will follow the safety alert symbol and either the word "DANGER" or "WARNING."

These words mean:

**⚠ DANGER**

**You can be killed or seriously injured if you don't immediately follow instructions.**

**⚠ WARNING**

**You can be killed or seriously injured if you don't follow instructions.**

All safety messages will tell you what the potential hazard is, tell you how to reduce the chance of injury, and tell you what can happen if the instructions are not followed.

### IMPORTANT SAFETY INSTRUCTIONS

When discarding or storing your old clothes dryer, remove the door.

**SAVE THESE INSTRUCTIONS**

**WARNING:** For your safety, the information in this manual must be followed to minimize the risk of fire or explosion, or to prevent property damage, personal injury, or death.

- Do not store or use gasoline or other flammable vapors and liquids in the vicinity of this or any other appliance.
- **WHAT TO DO IF YOU SMELL GAS:**
  - Do not try to light any appliance.
  - Do not touch any electrical switch; do not use any phone in your building.
  - Clear the room, building, or area of all occupants.
  - Immediately call your gas supplier from a neighbor's phone. Follow the gas supplier's instructions.
  - If you cannot reach your gas supplier, call the fire department.
- Installation and service must be performed by a qualified installer, service agency, or the gas supplier.

In the State of Massachusetts, the following installation instructions apply:

- Installations and repairs must be performed by a qualified or licensed contractor, plumber, or gasfitter qualified or licensed by the State of Massachusetts.
- If using a ball valve, it shall be a T-handle type.
- A flexible gas connector, when used, must not exceed 3 feet.

## INSTALLATION INSTRUCTIONS

### Tools and Parts

Check that you have everything necessary for correct installation. Proper installation is your responsibility.

- |   |   |
|---|---|
| ■ 8 in. or 10 in. pipe wrench   | ■ Knife   |
| ■ 8 in. or 10 in. adjustable wrench (for gas connections)   | ■ Safety glasses  |
| ■ Flat-blade screwdriver  | ■ Vent clamps   |
| ■ Adjustable wrench that opens to 1 in. (2.5 cm) or hex-head socket wrench (for adjusting dryer feet) | ■ Pipe-joint compound resistant to L.P. gas                   |
| ■ Level   | ■ Caulking gun and compound (for installing new exhaust vent) |
| ■ ¼ in. nut driver or socket wrench   | ■ Gloves  |
|   | ■ Pliers  |

### Parts supplied:

Remove parts package from dryer drum. Check that all parts were included.



4 leveling legs

### Parts needed:

Check local codes and consult gas supplier. Check existing gas supply, electrical supply and venting, and read "Electrical Requirements," "Gas Supply Requirements" and "Venting Requirements" before purchasing parts.

Mobile home installations require special parts (listed following) that may be ordered by calling the dealer from whom you purchased your dryer. For further information, please reference the front page of your "Dryer User Instructions."

- Mobile home installation kit. Ask for Part Number 346764.
- Metal exhaust system hardware.

## Location Requirements

### **⚠ WARNING**



#### **Explosion Hazard**

Keep flammable materials and vapors, such as gasoline, away from dryer.

Place dryer at least 18 Inches (46 cm) above the floor for a garage installation.

Failure to do so can result in death, explosion, or fire.

#### **You will need**

- A location that allows for proper exhaust installation. A gas dryer must be exhausted to the outdoors. See "Venting Requirements."
- A grounded electrical outlet located within 2 ft (61 cm) of either side of the dryer. See "Electrical Requirements."
- A sturdy floor to support the dryer with a total weight (dryer and load) of 200 lbs (90.7 kgs). The combined weight of a companion appliance should also be considered.
- A level floor with a maximum slope of 1 in. (2.5 cm) under entire dryer. (If slope is greater than 1 in. [2.5 cm], install Extended Dryer Feet Kit, Part Number 279810.) Clothes may not tumble properly and dryers with automatic sensor cycles may not operate correctly if dryer is not level.

Do not operate your dryer at temperatures below 45°F (7°C). At lower temperatures, the dryer might not shut off at the end of an automatic cycle. Drying times can be extended.

The dryer must not be installed or stored in an area where it will be exposed to water and/or weather.

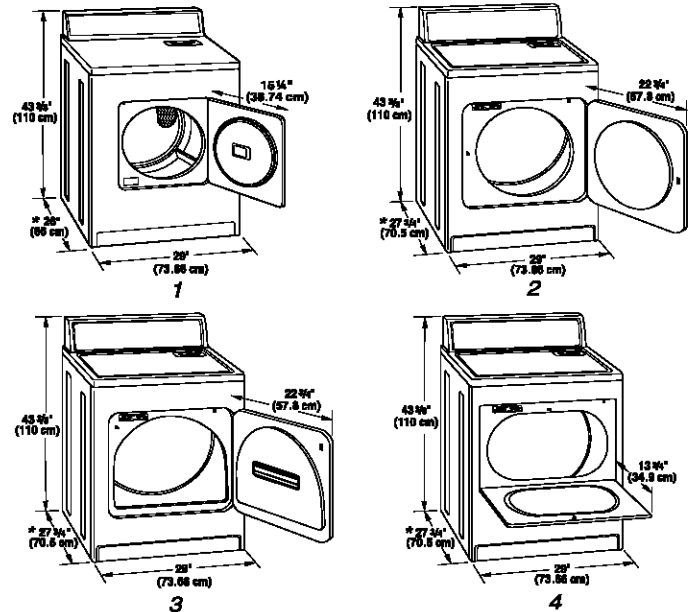
Check code requirements. Some codes limit, or do not permit, installation of the dryer in garages, closets, mobile homes, or sleeping quarters. Contact your local building inspector.

**NOTE:** No other fuel-burning appliance can be installed in the same closet as a dryer.

## Installation Clearances

The location must be large enough to allow the dryer door to open fully.

## Dryer Dimensions



1. Small Opening Side-Swing Door
2. Large Opening Side-Swing Door
3. Wide Opening Side-Swing Door
4. Wide Opening Hamper Door

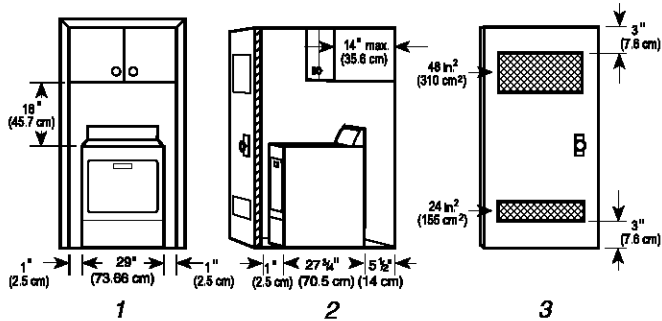
\*Most installations require a minimum 5½ in. (14 cm) clearance behind the dryer for the exhaust vent with elbow. See "Venting Requirements."

## Minimum installation spacing for recessed area or closet installation

The dimensions shown following are for the minimum spacing allowed.

- Additional spacing should be considered for ease of installation and servicing.
- Additional clearances might be required for wall, door and floor moldings.

- Additional spacing of 1 in. (2.5 cm) on all sides of the dryer is recommended to reduce noise transfer.
- For closet installation, with a door, minimum ventilation openings in the top and bottom of the door are required. Louvered doors with equivalent ventilation openings are acceptable.
- Companion appliance spacing should also be considered.



1. Recessed area  
2. Side view - closet or confined area  
3. Closet door with vents

### Mobile Home - Additional Installation Requirements

This dryer is suitable for mobile home installations. The installation must conform to the Manufactured Home Construction and Safety Standard, Title 24 CFR, Part 3280 (formerly the Federal Standard for Mobile Home Construction and Safety, Title 24, HUD Part 280).

#### Mobile home installations require:

- Metal exhaust system hardware which is available for purchase from your dealer.
- Mobile Home Installation Kit Part Number 346764. See "Tools and Parts" section for ordering information.
- Special provisions must be made in mobile homes to introduce outside air into the dryer. The opening (such as a nearby window) should be at least twice as large as the dryer exhaust opening.

## Electrical Requirements

### ⚠ WARNING



#### Electrical Shock Hazard

- Plug Into a grounded 3 prong outlet.
- Do not remove ground prong.
- Do not use an adapter.
- Do not use an extension cord.
- Failure to follow these instructions can result in death, fire, or electrical shock.

- 120-Volt, 60-Hz., AC-only, 15- or 20-amp fused electrical supply is required. (Time-delay fuse or circuit breaker is recommended.) It is recommended that a separate circuit serving only this dryer be provided.

**IMPORTANT:** The dryer must be electrically grounded in accordance with local codes, or in the absence of local codes, with the National Electrical Code, ANSI/NFPA 70.

## GROUNDING INSTRUCTIONS

- For a grounded, cord-connected dryer:  
This dryer must be grounded. In the event of malfunction or breakdown, grounding will reduce the risk of electric shock by providing a path of least resistance for electric current. This dryer is equipped with a cord having an equipment-grounding conductor and a grounding plug. The plug must be plugged into an appropriate outlet that is properly installed and grounded in accordance with all local codes and ordinances.

**WARNING:** Improper connection of the equipment-grounding conductor can result in a risk of electric shock. Check with a qualified electrician or service representative or personnel if you are in doubt as to whether the dryer is properly grounded. Do not modify the plug provided with the dryer: if it will not fit the outlet, have a proper outlet installed by a qualified electrician.

## SAVE THESE INSTRUCTIONS

## Gas Supply Requirements

### ⚠ WARNING



#### Explosion Hazard

- Use a new AGA or CSA approved gas supply line.
- Install a shut-off valve.
- Securely tighten all gas connections.
- If connected to LP, have a qualified person make sure gas pressure does not exceed 13" (33 cm) water column.
- Examples of a qualified person include:  
licensed heating personnel,  
authorized gas company personnel, and  
authorized service personnel.
- Failure to do so can result in death, explosion, or fire.

### Gas Type

#### Natural Gas:

This dryer is equipped for use with NATURAL GAS. It is design-certified by CSA International for L.P. (propane or butane) gases with appropriate conversion.

- Your dryer must have the correct burner for the type of gas in your home. Burner information is located on the rating plate in the door well of your dryer. If this information does not agree with the type of gas available, contact your dealer or call the phone numbers referenced on the front page of your "Dryer User Instructions."

### L.P. gas conversion:

Conversion must be made by a qualified technician.

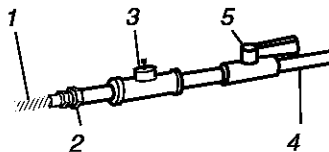
No attempt shall be made to convert the appliance from the gas specified on the model/serial rating plate for use with a different gas without consulting the serving gas supplier.

**IMPORTANT:** The gas installation must conform with local codes, or in the absence of local codes, with the National Fuel Gas Code, ANSI Z223.1/NFPA 54.

### Gas Supply Line:

- ½ in. IPS pipe is recommended.
- ¾ in. approved tubing is acceptable for lengths under 20 ft (6.1 m) if local codes and gas supplier permit.
- Must include ½ in. NPT plugged tapping accessible for test gauge connection, immediately upstream of the gas connection to the dryer (see illustration).
- Must include a shutoff valve:

An individual manual shutoff valve must be installed within six (6) feet (1.8 m) of the dryer in accordance with the National Fuel Gas Code, ANSI Z223.1. The location should be easy to reach for opening and closing.



1. ½ in. flexible gas connector
2. ¾ in. pipe to flare adapter fitting
3. ½ in. NPT plugged tapping
4. ½ in. NPT gas supply line
5. Gas shutoff valve

### Gas supply connection requirements

There are many methods by which your gas dryer can be connected to the gas supply. Listed here are some guidelines for two different methods of connection.

#### Option 1 (Recommended Method)

Flexible stainless steel gas connector:

- If local codes permit, use a new flexible stainless steel gas connector (Design Certified by the American Gas Association or CSA International) to connect your dryer to the rigid gas supply line. Use an elbow and a ¾ in. flare x ½ in. NPT adapter fitting between the stainless steel gas connector and the dryer gas pipe, as needed to prevent kinking.

#### Option 2 (Alternate Method)

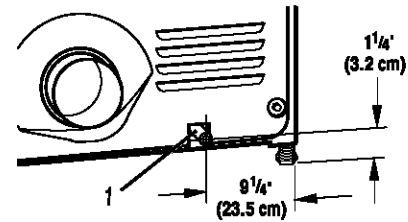
Approved aluminum or copper tubing:

- Lengths under 20 ft (6.1 m) can use ¾ in. approved tubing (if codes and gas supplier permit).
- If you are using natural gas, do not use copper tubing.
- ¾ in. flare x ½ in. NPT adapter fitting between dryer pipe and ¾ in. approved tubing.
- Lengths over 20 ft (6.1 m) should use larger tubing and a different size adapter fitting.
- If your dryer has been converted to use L.P. gas, ¾ in. L.P. compatible copper tubing can be used. If the total length of the supply line is more than 20 ft (6.1 m), use larger pipe.

**NOTE:** Pipe joint compounds that resist the action of L.P. gas must be used. Do not use TEFLON<sup>®†</sup> tape.

### Dryer Gas Pipe

- The gas pipe that comes out through the rear of your dryer has a ¾ in. male pipe thread.



1. ¾ in. NPT dryer pipe

### Burner Input Requirements:

#### Elevations up to 10,000 feet (3,048 meters):

- The design of this dryer is certified by CSA International for use at altitudes up to 10,000 ft (3,048 m) above sea level at the B.T.U. rating indicated on the model/serial number plate. Burner input adjustments are not required when the dryer is operated up to this elevation.

#### Elevations above 10,000 feet (3,048 meters):

- When installed above 10,000 ft (3,048 m) a 4% reduction of the burner B.T.U. rating shown on the model/serial number plate is required for each 1,000 ft (305 m) increase in elevation.

### Gas Supply Pressure Testing

- The dryer must be disconnected from the gas supply piping system during any pressure testing.

## Venting Requirements

### ⚠ WARNING



#### Fire Hazard

Use a heavy metal vent.

Do not use a plastic vent.

Do not use a metal foil vent.

Failure to follow these instructions can result in death or fire.

**WARNING:** To reduce the risk of fire, this dryer MUST BE EXHAUSTED OUTDOORS.

4 in. (10.2 cm) heavy metal exhaust vent and clamps must be used. DURASAFE™ venting products are recommended.

DURASAFE™ vent products can be purchased from your dealer or by calling Whirlpool Parts and Accessories. For more information, see the "Assistance or Service" section of your "Dryer User Instructions."

- The dryer exhaust must not be connected into any gas vent, chimney, wall, ceiling, or a concealed space of a building.
- Do not use an exhaust hood with a magnetic latch.
- Do not install flexible metal vent in enclosed walls, ceilings or floors.
- Use clamps to seal all joints. Exhaust vent must not be connected or secured with screws or other fastening devices which extend into the interior of the duct. Do not use duct tape.

†@TEFLON is a registered trademark of E.I. Du Pont De Nemours and Company.

**IMPORTANT:** Observe all governing codes and ordinances.

**Improper venting can cause moisture and lint to collect indoors, which may result in:**

- Moisture damage to woodwork, furniture, paint, wall-paper, carpets, etc.
- Housecleaning problems and health problems.

Use a heavy metal vent. Do not use plastic or metal foil vent. Rigid metal vent is recommended to prevent crushing and kinking. Flexible metal vent must be fully extended and supported when the dryer is in its final position. Remove excess flexible metal vent to avoid sagging and kinking that may result in reduced airflow and poor performance.

An exhaust hood should cap the vent to prevent rodents and insects from entering the home.

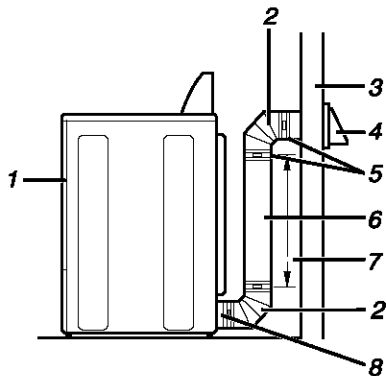
Exhaust hood must be at least 12 in. (30.5 cm) from the ground or any object that may be in the path of the exhaust (such as flowers, rocks or bushes, etc.).

If using an existing vent system, clean lint from the entire length of the system and make sure exhaust hood is not plugged with lint. Replace any plastic or metal foil vent with rigid metal or flexible metal vent.

## Plan Vent System

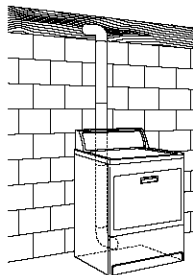
### Typical exhaust installations

Typical installations vent the dryer from the rear of the dryer.



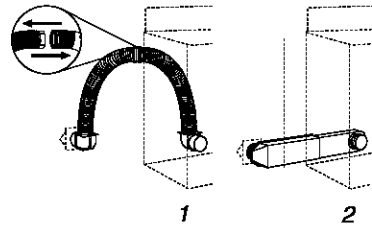
- |                 |  |
|-----------------|--|
| 1. Dryer        | 5. Clamps                                  |
| 2. Elbow        | 6. Rigid metal or flexible metal vent      |
| 3. Wall         | 7. Vent length necessary to connect elbows |
| 4. Exhaust hood | 8. Exhaust outlet                          |

### Standard exhaust installation with rigid metal or flexible metal vent



### Alternate installations for close clearances

Venting systems come in many varieties. Select the type best for your installation. Two close-clearance installations are shown. Refer to the manufacturer's instructions.



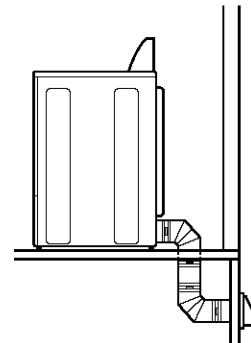
1. Over-The-Top installation (also available with one offset elbow)
2. Periscope installation

**NOTE:** The following kits for close clearance alternate installations are available for purchase. Please reference the "Assistance or Service" section of your "Dryer User Instructions."

- Over-The-Top Installation:  
Part Number 4396028
- Periscope Installation (For use with dryer vent to wall vent mismatch):  
Part Number 4396037 - 0 in. (0 cm) to 18 in. (45.72 cm) mismatch  
Part Number 4396011 - 18 in. (45.72 cm) to 29 in. (73.66 cm) mismatch  
Part Number 4396014 - 29 in. (73.66 cm) to 50 in. (127 cm) mismatch

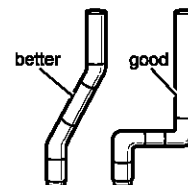
### Special provisions for mobile home installations

The exhaust vent must be securely fastened to a noncombustible portion of the mobile home structure and must not terminate beneath the mobile home. Terminate the exhaust vent outside.



### Determine Vent Length

1. Select the route that will provide the straightest and most direct path outdoors. Plan the installation to use the fewest number of elbows and turns. When using elbows or making turns, allow as much room as possible. Bend vent gradually to avoid kinking. Avoid 90° turns.

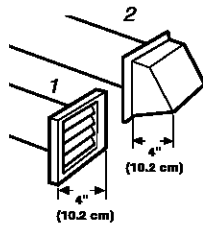


2. Determine vent length.

The maximum length of the exhaust system depends upon:

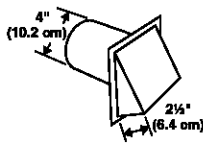
- The type of vent (rigid metal or flexible metal).
- The number of elbows used.
- Type of hood.

Recommended hood styles are shown here.



1. Louvered hood style  
2. Box hood style

The angled hood style (shown following) is acceptable.



See the exhaust vent length chart that matches your hood type for the maximum vent lengths you can use.

Exhaust systems longer than specified will:

- Shorten the life of the dryer.
- Reduce performance, resulting in longer drying times and increased energy usage.

3. Determine the number of elbows you will need.

**NOTE:** Do not use vent runs longer than specified in the Vent Length Chart.

The following chart helps you determine your maximum vent length based on the number of 90° turns or elbows you will need and the type of vent (rigid or flexible metal) and hood that you will use.

**Vent Length Chart**

Number of 90° turns or elbows	Type of vent	Box or Louvered hoods	Angled hoods
0	Rigid metal	64 ft (20 m)	58 ft (17.7 m)
	Flexible metal	36 ft (11 m)	28 ft (8.5 m)
1	Rigid metal	54 ft (16.5 m)	48 ft (14.6 m)
	Flexible metal	31 ft (9.4 m)	23 ft (7 m)
2	Rigid metal	44 ft (13.4 m)	38 ft (11.6 m)
	Flexible metal	27 ft (8.2 m)	19 ft (5.8 m)
3	Rigid metal	35 ft (10.7 m)	29 ft (8.8 m)
	Flexible metal	25 ft (7.6 m)	17 ft (5.2 m)
4	Rigid metal	27 ft (8.2 m)	21 ft (6.4 m)
	Flexible metal	23 ft (7 m)	15 ft (4.6 m)

## Install Vent System

1. (Optional) Put on safety glasses and gloves.
2. Install exhaust hood. Use caulking compound to seal exterior wall opening around exhaust hood.
3. Connect vent to exhaust hood. Vent must fit inside exhaust hood. Secure vent to exhaust hood with 4 in. (10.2 cm) clamp.
4. Run vent to dryer location. Use the straightest path possible. See "Determine Vent Length." Avoid 90° turns. Use clamps to seal all joints. Do not use duct tape, screws or other fastening devices that extend into the interior of the vent to secure vent.

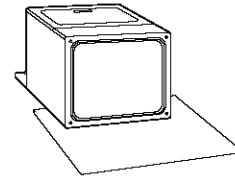
## Install Leveling Legs

### ⚠ WARNING

#### Excessive Weight Hazard

Use two or more people to move and install dryer.  
Failure to do so can result in back or other injury.

1. To protect the floor, use a large flat piece of cardboard from the dryer carton. Place cardboard under the entire back edge of the dryer. See illustration.
2. Firmly grasp the body of the dryer (not the top or console panel). Gently lay the dryer on the cardboard.



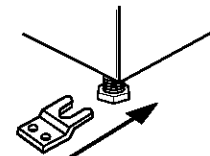
3. Examine the leveling legs. Find the diamond marking.



4. Screw the legs into the leg holes by hand. Use a wrench to finish turning the legs until the diamond marking is no longer visible.
5. Place a carton corner post under each of the 2 dryer back corners. Stand the dryer up. Slide the dryer on the corner posts until it is close to its final location. Leave enough room to connect the exhaust vent.
6. Once connection is made and dryer is in final location, remove corner posts and cardboard.

### For mobile home use

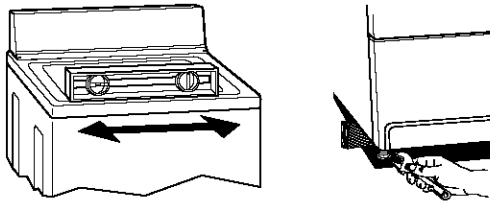
Gas dryers must be securely fastened to the floor.



Mobile home installations require a Mobile Home Installation Kit. For ordering information please reference your "Dryer User Instructions."

## Level Dryer

Check the levelness of the dryer. Check levelness first side to side, then front to back.



If the dryer is not level, prop up the dryer using a wood block. Use a wrench to adjust the legs up or down and check again for levelness.

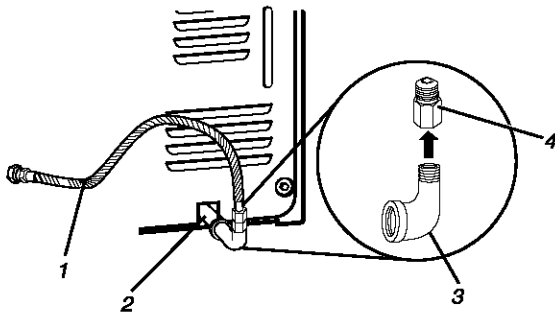
**NOTE:** It might be necessary to level the dryer again after it is moved into its final position.

## Make Gas Connection

1. Remove the red cap from the gas pipe. Move the dryer close to its final position.
2. Using a wrench to tighten, connect the gas supply to the dryer. Use pipe joint compound on all non-flared male threads. If flexible metal tubing is used, be sure there are no kinks.

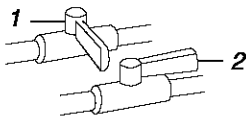
**NOTE:** For L.P. gas connections, you must use pipe joint compound resistant to the action of L.P. gas. Do not use TEFLON<sup>®</sup> tape.

A combination of pipe fittings must be used to connect the dryer to the existing gas line. Shown following is a recommended connection. Your connection may be different, according to the supply line type, size, and location.



1.  $\frac{3}{8}$  in. flexible gas connector
2.  $\frac{3}{8}$  in. dryer pipe
3.  $\frac{3}{8}$  in. to  $\frac{1}{2}$  in. pipe elbow
4.  $\frac{3}{8}$  in. pipe-to-flare adapter fitting

3. Open the shutoff valve in the supply line. The valve is open when the handle is parallel to the gas pipe.



1. Closed valve
2. Open valve

4. Test all connections by brushing on an approved noncorrosive leak-detection solution. Bubbles will show a leak. Correct any leak found.

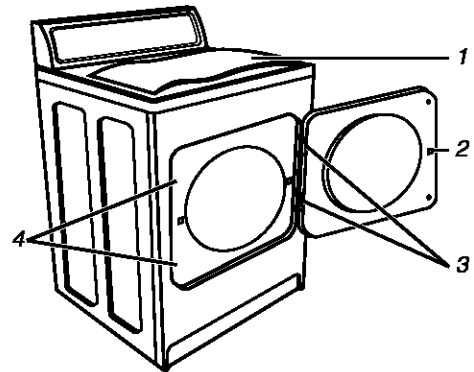
## Connect Vent

1. Using a 4 in. (10.2 cm) clamp, connect vent to exhaust outlet in dryer. If connecting to existing vent, make sure the vent is clean. The dryer vent must fit over the dryer exhaust outlet and inside the exhaust hood. Make sure the vent is secured to exhaust hood with a 4 in. (10.2 cm) clamp.
2. Move dryer into final position. Do not crush or kink vent. Make sure dryer is level.
3. (On gas models) Check to be sure there are no kinks in the flexible gas line.

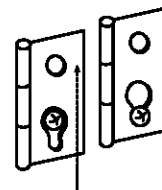
## Reverse Door Swing (Optional)

You can change your door swing from a right-side opening to a left-side opening, if desired.

### Reversible Large Side-Swing Door



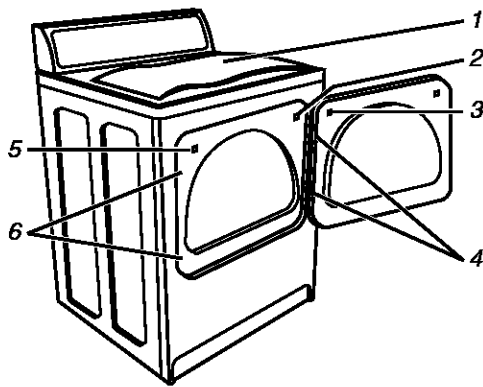
1. Place towel (1) on top of dryer to protect surface.
2. Open dryer door. Remove bottom screws from cabinet side of hinges (3). Loosen (do not remove) top screws from cabinet side of hinges.
3. Lift door until top screws in cabinet are in large part of hinge slot. Pull door forward off screws. Set door on top of dryer. Remove top screws from cabinet.
4. Use a small, flat-blade screwdriver to carefully remove 4 hinge hole plugs (4) on left side of cabinet. Insert plugs in hinge holes on right side of cabinet.
5. Insert screws in bottom holes on left side of cabinet. Tighten screws halfway. Position door so large end of door hinge slot is over screws. Slide door up so screws are in bottom of slots. Tighten screws. Insert and tighten top screws in hinges.



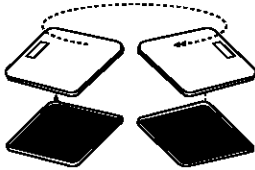
6. Close door and check that door strike aligns with door catch (2). If needed, slide door catch left or right within slot to adjust alignment.



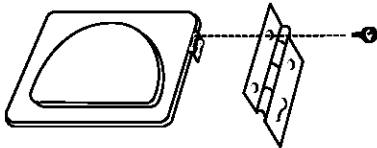
## Reversible Super Wide Side-Swing Door



1. Place towel (1) on top of dryer to protect surface.
2. Open dryer door. Remove bottom screws from cabinet side of hinges (4). Loosen (do not remove) top screws from cabinet side of hinges.
3. Lift door until top screws in cabinet are in large part of hinge slot. Pull door forward off screws. Set door (handle side up) on top of dryer. Remove top screws from cabinet.
4. Remove screws attaching hinges to door.
5. Remove screws at top, bottom and side of door (4 screws). Holding door over towel on dryer, grasp sides of outer door and carefully lift to separate it from inner door. Do not pry apart with putty knife. Do not pull on door seal or plastic door catches.
6. Be careful to keep cardboard spacer centered between doors. Reattach outer door panel to inner door panel so handle is on the side where hinges were just removed.

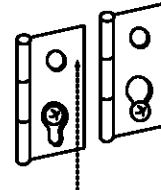


7. Attach door hinges to door so large part of hinge slot is at bottom of hinge.



8. Remove door strike (5) from cabinet. Use a small, flat-blade screwdriver to carefully remove 4 hinge hole plugs (6) on left side of cabinet. Insert plugs in hinge holes on right side of cabinet.

9. Insert screws in bottom holes on left side of cabinet. Tighten screws halfway. Position door so large end of door hinge slot is over screws. Slide door up so screws are in bottom of slots. Tighten screws. Insert and tighten top screws in hinges.



10. Remove door strike plug (2). Insert the door strike you removed in Step 8 in hole and secure with screw. Insert door strike plug in original door strike hole and secure with screw.
11. Close door and check that door strike aligns with door catch (3). If needed, slide door catch left or right within slot to adjust alignment.

## Complete Installation

1. Check to be sure all parts are now installed. If there is an extra part, go back through the steps to see which step was skipped.
2. Check to be sure you have all of your tools.
3. Dispose of all packaging materials.
4. Check the dryer's final location. Be sure the vent is not crushed or kinked.
5. Check to be sure the dryer is level. (See "Level Dryer.")
6. Plug into a grounded 3 prong outlet. Turn power on.
7. Remove the blue protective film on the console and any tape remaining on the dryer.
8. Read your "Dryer User Instructions."
9. Wipe the dryer drum interior thoroughly with a damp cloth to remove any dust.
10. Set the dryer on a full heat cycle (not an air cycle) for 20 minutes and start the dryer.
 

**If the dryer will not start, check the following:**

  - Dryer is plugged into a grounded 3 prong outlet.
  - Electrical supply is connected.
  - House fuse is intact and tight; or circuit breaker has not tripped.
  - Dryer door is closed.
11. When the dryer has been running for 5 minutes, open the dryer door and feel for heat. If you do not feel heat, turn the dryer off and check to see whether gas supply line shutoff valve is open.
  - If the gas supply line shutoff valve is closed, open it, then repeat the 5-minute test as outlined above.
  - If the gas supply line shutoff valve is open, contact a qualified technician.

# INSTRUCCIONES DE INSTALACIÓN PARA LA SECADORA A GAS DE 29 PULG. (73,7 CM)

## SEGURIDAD DE LA SECADORA

### Su seguridad y la seguridad de los demás es muy importante.

Hemos incluido muchos mensajes importantes de seguridad en este manual y en su electrodoméstico. Lea y obedezca siempre todos los mensajes de seguridad.



Este es el símbolo de advertencia de seguridad.

Este símbolo le llama la atención sobre peligros potenciales que pueden ocasionar la muerte o una lesión a usted y a los demás.

Todos los mensajes de seguridad irán a continuación del símbolo de advertencia de seguridad y de la palabra "PELIGRO" o "ADVERTENCIA". Estas palabras significan:

**▲ PELIGRO**

Si no sigue las Instrucciones de Inmediato, usted puede morir o sufrir una lesión grave.

**▲ ADVERTENCIA**

Si no sigue las Instrucciones, usted puede morir o sufrir una lesión grave.

Todos los mensajes de seguridad le dirán el peligro potencial, le dirán cómo reducir las posibilidades de sufrir una lesión y lo que puede suceder si no se siguen las instrucciones.

### INSTRUCCIONES IMPORTANTES DE SEGURIDAD

Antes de guardar o descartar su vieja secadora, quítele la puerta.

**GUARDE ESTAS INSTRUCCIONES**

**ADVERTENCIA:** Para su seguridad, la información en este manual debe ser observada para minimizar el riesgo de incendio o explosión, o para prevenir daños a propiedades, heridas o la muerte.

- No almacene o use gasolina u otros líquidos y vapores inflamables cerca de éste u otro aparato electrodoméstico.
- **PASOS QUE USTED DEBE SEGUIR SI HUELE A GAS:**
  - No trate de encender ningún aparato electrodoméstico.
  - No toque ningún interruptor eléctrico; no use ningún teléfono en su edificio.
  - Desaloje a todos los ocupantes del cuarto, edificio o área.
  - Llame inmediatamente a su proveedor de gas desde el teléfono de un vecino.  
Siga las instrucciones de su proveedor de gas.
  - Si usted no puede comunicarse con su proveedor de gas, llame al departamento de bomberos.
- La instalación y el servicio deben ser efectuados por un instalador calificado, una agencia de servicio o por el proveedor de gas.

En el estado de Massachusetts se aplican las siguientes instrucciones de instalación:

- Las instalaciones y reparaciones se deben efectuar por un contratista, plomero o gasista calificado o licenciado por el estado de Massachusetts.
- Si se usa una válvula de bola, debe ser un tipo de manigueta T.
- Si se usa un conector de gas flexible no debe exceder de 3 pies.

## INSTRUCCIONES DE INSTALACIÓN

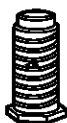
### Herramientas y piezas

Verifique si tiene todo lo necesario para una instalación correcta. La instalación adecuada es responsabilidad suya.

- Llave para tubos de 8 ó 10 pulg.
- Llave de tuercas ajustable de 8 ó 10 pulg. (para conexiones de gas)
- Destornillador de cuchilla plana
- Llave de tuercas ajustable que se abra a 1 pulg. (2,5 cm) o una llave de cubo de cabeza hexagonal (para regular las patas de la secadora)
- Nivel
- Llave para tuercas de ¼ de pulg. o llave de cubo
- Cuchillo
- Lentes de seguridad
- Abrazaderas para ducto
- Pegamento para tuberías resistente a gas L.P.
- Pistola y masilla para calafateo (para instalar el nuevo ducto de escape)
- Guantes
- Alicates

### Piezas suministradas:

Retire el paquete de piezas del tambor de la secadora. Verifique que estén todas las piezas.



4 patas niveladoras

### Piezas para adquirir:

Verifique los códigos locales y con la compañía abastecedora de gas. Verifique el suministro de gas existente, el suministro eléctrico y la ventilación y lea "Requisitos eléctricos", "Requisitos de suministro de gas" y "Requisitos de ventilación" antes de comprar las piezas.

Las instalaciones en casas rodantes requieren piezas especiales (enumeradas a continuación) que se pueden ordenar llamando al distribuidor donde compró la secadora. Para obtener más información, refiérase a la portada de sus "Instrucciones para el usuario de la secadora".

- Juego de instalación en casas rodantes. Pida la Pieza Número 346764.
- Herramientas del sistema de escape de metal.

### Requisitos de localización

#### ⚠ ADVERTENCIA



#### Peligro de Explosión

**Mantenga los materiales y vapores inflamables, como la gasolina, lejos de la secadora.**

**Coloque la secadora a un mínimo de 46 cm sobre el piso para la instalación en un garaje.**

**No seguir estas Instrucciones puede ocasionar la muerte, explosión o incendio.**

### Usted necesitará

- Una localización que permita una instalación adecuada del ducto de escape. La secadora a gas debe tener una salida de ventilación hacia el exterior. Consulte "Requisitos de ventilación."
- Un contacto con conexión a tierra ubicado a unos 2 pies (61 cm) de cualquiera de los lados de la secadora. Vea "Requisitos eléctricos."
- Un piso resistente para soportar la secadora con un peso total (secadora y carga) de 200 lbs (90,7 kgs). También debe considerarse el peso combinado de otro electrodoméstico que le acompañe.
- Un piso nivelado con un declive máximo de 1 pulg. (2,5 cm) debajo de la secadora completa. (Si el declive es mayor que 1 pulg. [2,5 cm], instale el Juego de extensión de patas de la secadora, Pieza No. 279810.) Si la secadora no está nivelada, la ropa quizás no rote adecuadamente y los ciclos del sensor automático posiblemente no funcionen debidamente.

No ponga a funcionar su secadora a temperaturas inferiores a 45°F (7°C). A temperaturas inferiores, es posible que la secadora no se apague al final de un ciclo automático. Los tiempos de secado pueden prolongarse.

No debe instalarse ni guardarse la secadora en un área en donde pueda estar expuesta al agua y/o a la intemperie.

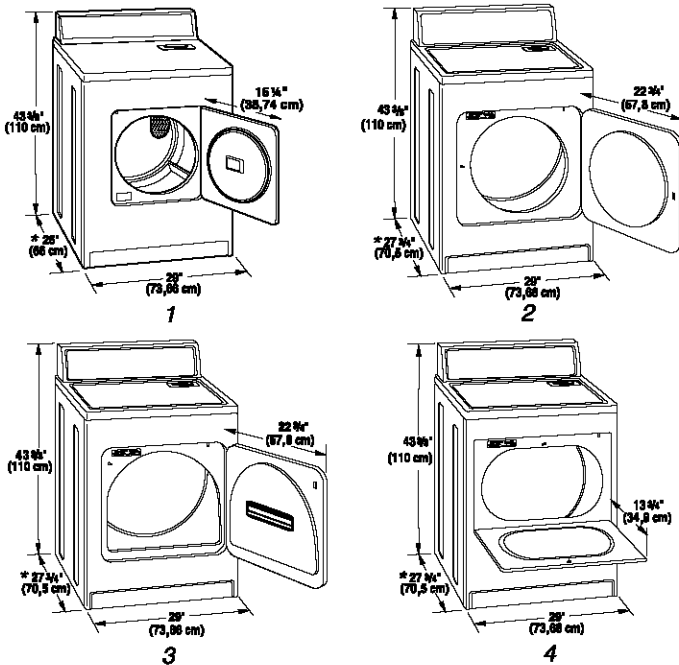
Verifique los requisitos de los códigos. Algunos códigos limitan, o no permiten, la instalación de la secadora en garajes, clósets, casas rodantes o en dormitorios. Póngase en contacto con el inspector de construcciones de su localidad.

**NOTA:** No se puede instalar otro electrodoméstico que use combustible en el mismo clóset en que se encuentra la secadora.

### Espacios para la instalación

La ubicación debe ser lo suficientemente grande para poder abrir completamente la puerta de la secadora.

### Dimensiones de la secadora



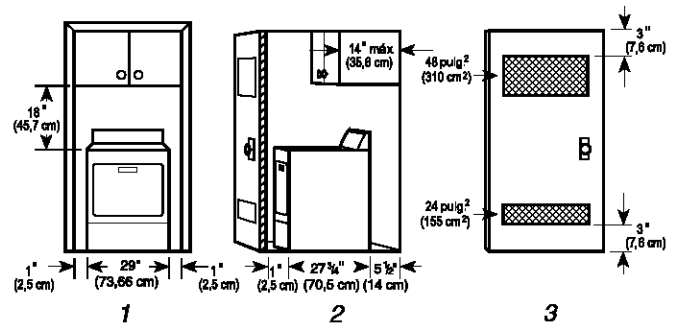
1. Puerta chica de apertura lateral
2. Puerta grande de apertura lateral
3. Puerta ancha de apertura lateral
4. Puerta ancha de apertura vertical

\*La mayoría de las instalaciones requieren un espacio mínimo de 5 1/2 pulg. (14 cm) detrás de la secadora para acomodar el ducto de escape con codo. Vea "Requisitos de ventilación."

### Espacio mínimo para la instalación en un lugar empotrado o en un clóset

Las siguientes dimensiones ilustradas son para el espacio mínimo permitido.

- Debe considerarse el espacio adicional para facilitar la instalación y el servicio técnico.
- Se podrían necesitar espacios libres adicionales para la pared y las molduras de la puerta y del piso.
- Se recomienda un espacio adicional de 1 pulg. (2,5 cm) en todos los lados de la secadora para reducir la transferencia de ruido.
- Para la instalación en clóset, con una puerta, se requieren aberturas de ventilación mínimas en la parte superior e inferior de la puerta. Se aceptan puertas tipo persianas con aberturas de ventilación equivalentes.
- También se debe considerar espacio adicional para otro electrodoméstico que le acompañe.



1. Lugar empotrado
2. Vista lateral - clóset o lugar confinado
3. Puerta del clóset con orificios de ventilación

### Requisitos de instalación adicionales para las casas rodantes

Esta secadora es apropiada para instalaciones en casas rodantes. La instalación debe ajustarse al Estándar de seguridad y construcción de casas fabricadas, Título 24 CFR, Parte 3280 (anteriormente conocido como Estándar federal para la seguridad y construcción de casas rodantes, Título 24, HUD Parte 280).

Las instalaciones en casas rodantes necesitan:

- Herramientas del sistema de escape de metal, que se encuentran disponibles para ser compradas en su distribuidor.
- Juego para la Instalación en casas rodantes, Pieza número 346764. Vea la sección "Herramientas y Piezas" para la información sobre cómo ordenar.
- Se deben tomar medidas especiales en el caso de casas rodantes para introducir el aire del exterior en la secadora. La abertura (como la de una ventana adyacente) deberá ser por lo menos el doble de tamaño que la abertura de ventilación de la secadora.

## Requisitos eléctricos

### ⚠ ADVERTENCIA



#### Peligro de Choque Eléctrico

Conecte a un contacto de pared de conexión a tierra de 3 terminales.

No quite el terminal de conexión a tierra.

No use un adaptador.

No use un cable eléctrico de extensión.

No seguir estas instrucciones puede ocasionar la muerte, incendio o choque eléctrico.

- Se necesita un suministro eléctrico de 120 voltios, 60 hertzios, CA solamente, de 15 ó 20 amperios y protegido con fusible. (Se recomienda el empleo de un fusible retardador o cortacircuitos). Asimismo se recomienda el uso de un circuito independiente que preste servicio únicamente a esta secadora.

**IMPORTANTE:** La secadora debe estar conectada a tierra de acuerdo con los códigos locales, o si no los hay, con el Código Nacional de Electricidad (National Electrical Code), ANSI/NFPA 70 o el Código Canadiense de Electricidad, CSA C22.1.

#### INSTRUCCIONES PARA LA CONEXIÓN A TIERRA

- Para la conexión de una secadora mediante cable eléctrico conectado a tierra:

Esta secadora debe estar conectada a tierra. En el caso de funcionamiento defectuoso o avería, la conexión a tierra reducirá el riesgo de choque eléctrico al proporcionar una vía de menor resistencia para la corriente eléctrica. Esta secadora está equipada con un cable que cuenta con un conductor para la conexión a tierra del equipo y un enchufe de conexión a tierra. El enchufe debe conectarse en un contacto apropiado, que esté debidamente instalado y conectado a tierra de acuerdo con todos los códigos y ordenanzas locales.

**ADVERTENCIA:** La conexión indebida del conductor para la conexión a tierra del equipo puede ocasionar un riesgo de choque eléctrico. Verifique con un electricista, representante o personal de servicio técnico calificado para asegurarse de que la conexión a tierra de la secadora sea apropiada. No modifique el enchufe proporcionado con la secadora. Si no encaja en el contacto, contrate un electricista calificado para que instale un contacto adecuado.

**GUARDE ESTAS INSTRUCCIONES**

## Requisitos del suministro de gas

### ⚠ ADVERTENCIA



#### Peligro de Explosión

Usa una línea de suministro de gas nueva con aprobación AGA o CSA.

Instale una válvula de cierre.

Aprete firmemente todas las conexiones de gas.

Si se conecta a un suministro de gas L.P., la presión no debe exceder una columna de agua de 33 cm (13 pulg.) y debe ser verificada por una persona calificada.

Ejemplos de una persona calificada incluyen:

personal de servicio del sistema de calefacción con licencia,  
personal autorizado de la compañía de gas, y  
personal autorizado para dar servicio.

No seguir estas instrucciones puede ocasionar la muerte, explosión o incendio.

#### Tipo de gas

##### Gas natural:

Esta secadora está equipada para uso con GAS NATURAL. Su diseño está certificado por la CSA Internacional para gases L.P. (de propano o butano) con la conversión apropiada.

- Su secadora debe tener el quemador adecuado para el tipo de gas que tiene en su casa. La información respecto al quemador está ubicada en la placa de clasificación que está en la cavidad de la puerta de su secadora. Si esta información no está de acuerdo con el tipo de gas disponible, póngase en contacto con su distribuidor o llame a los números de teléfono ubicados en la portada de sus "Instrucciones para el usuario de la secadora".

##### Conversión de gas L.P.:

La conversión deberá llevarla a cabo un técnico calificado.

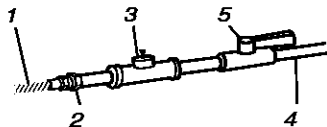
No se deberá hacer intento alguno para convertir el uso del gas especificado en la placa de clasificación del modelo/de la serie de este artefacto por el uso de un gas distinto sin consultar con el abastecedor de gas.

**IMPORTANTE:** La instalación de gas debe hacerse de acuerdo con los códigos locales, o si no los hay, con el Código Nacional de Gas Combustible (National Fuel Gas Code), ANSI Z223.1/ NFPA 54.

### Línea del suministro de gas:

- Se recomienda un tubo IPS de ½ de pulg.
- Si los códigos locales y el proveedor de gas lo permiten, es aceptable una tubería aprobada de ¾ de pulg. para longitudes menores a los 20 pies (6,1 m).
- Debe incluir una derivación tapada NPT de ¼ de pulg. accesible para la conexión del manómetro de prueba, inmediatamente arriba de la conexión de suministro de gas a la secadora (vea la ilustración).
- Debe incluir una válvula de cierre:

Debe instalarse una válvula de cierre individual manual a una distancia de unos seis (6) pies (1,8 m) de la secadora de acuerdo con el Código Nacional de Gas combustible (National Fuel Gas Code), ANSI Z223.1. La válvula deberá ubicarse en un lugar donde se pueda alcanzar con facilidad para cerrarla y abrirla.



1. Conector de gas flexible de ¾ de pulg.
2. Accesorio adaptador abocinado de ¾ de pulg.
3. Derivación tapada NPT de ¼ de pulg.
4. Línea de suministro de gas NPT de ½ de pulg.
5. Válvula de cierre del gas

### Requisitos para la conexión del suministro de gas

Existen muchos métodos mediante los cuales puede conectar su secadora a gas al suministro de gas. He aquí algunas directivas para dos métodos diferentes de conexión.

#### Opción 1 (Método recomendado)

Conector de gas flexible de acero inoxidable:

- Si los códigos locales lo permiten, use un conector de gas flexible nuevo de acero inoxidable (diseño certificado por la Asociación americana de gas o la CSA Internacional) para conectar su secadora a la línea rígida de suministro de gas. Use un codo y un accesorio adaptador abocinado NPT de ¾ de pulg. por ¾ de pulg. entre el tubo de acero inoxidable y el tubo de gas de la secadora, para evitar que se doblen.

#### Opción 2 (Método alternativo)

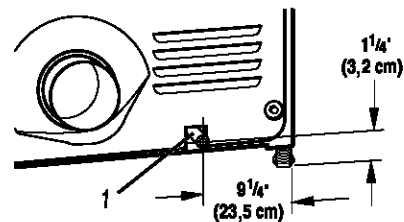
Tubería aprobada de aluminio o de cobre:

- Para las longitudes inferiores a los 20 pies (6,1 m) se puede usar una tubería aprobada de ¾ de pulg. (si los códigos y el abastecedor de gas lo permiten).
- Si usted está usando gas natural, no use tubería de cobre.
- Un adaptador abocinado NPT de ¾ de pulg. por ¾ de pulg. entre el tubo de la secadora y la tubería aprobada de ¾ de pulgada.
- Las longitudes superiores a los 20 pies (6,1 m) deberán usar tuberías más largas y un accesorio adaptador de tamaño distinto.
- Si su secadora ha sido convertida para usar gas L.P., se puede usar tubería de cobre compatible de L.P. de ¾ de pulg. Si la longitud total de la línea de suministro es mayor que 20 pies (6,1 m), use un tubo más largo.

**NOTA:** Se deben usar pegamentos para uniones de tuberías que resistan la acción del gas L.P. No use cinta de TEFLON®†.

#### El tubo de gas de la secadora

- El tubo de gas que sale por la parte posterior de su secadora tiene una conexión de roscas macho de ¾ de pulg.



1. Tubo NPT de ¾ de pulg. de la secadora

#### Requisitos de entrada del quemador:

##### Elevaciones de hasta los 10.000 pies (3.048 metros):

- El diseño de esta secadora está certificado por CSA Internacional para uso en altitudes que alcanzan los 10.000 pies (3.048 m) sobre el nivel del mar en la categoría de B.T.U. indicada en la placa del número de modelo/serie. No se requieren ajustes de entrada del quemador cuando se usa la secadora a esta altitud.

##### Elevaciones por encima de los 10.000 pies (3.048 metros):

- Si se instala la secadora a un nivel superior a los 10.000 pies (3.048 m) de altitud, se requiere una reducción de categoría de B.T.U. del 4% del quemador, que se muestra en la placa del número de modelo/serie, por cada incremento de 1.000 pies (305 m) de altitud.

#### Prueba de presión del suministro de gas

- Durante cualquier prueba de presión, la secadora debe ser desconectada del sistema de tubería del suministro de gas.

†TEFLON es una marca registrada de E.I. Du Pont De Nemours and Company.

## Requisitos de ventilación

### ⚠ ADVERTENCIA



#### Peligro de Incendio

- Use un ducto de escape de metal pesado.
- No use un ducto de escape de plástico.
- No use un ducto de escape de aluminio.
- No seguir estas Instrucciones puede ocasionar la muerte o incendio.

**ADVERTENCIA:** Para reducir el riesgo de incendio, esta secadora DEBE VENTILARSE HACIA EL EXTERIOR.

Se debe usar un ducto de escape de metal pesado de 4 pulg. (10,2 cm) y abrazaderas. Los productos de ventilación DURASAFE™ son recomendables.

Los productos de ventilación DURASAFE™ pueden comprarse en su distribuidor o llamando a Piezas y Accesorios Whirlpool. Para obtener más información tome como referencia la sección "Ayuda o servicio técnico" de sus "Instrucciones para el usuario de la secadora".

- La salida de la secadora no debe conectarse en ningún ducto de escape de gas, chimenea, pared, techo o el espacio oculto de un edificio.
- No use una capota de ventilación con pestillo magnético.
- No instale el ducto de escape de metal flexible en paredes, techos o pisos encerrados.
- Utilice abrazaderas para sellar todas las juntas. No debe conectarse ni asegurarse el ducto de escape con tornillos ni ningún otro dispositivo que se extienda hacia el interior de dicho ducto. No utilice cinta adhesiva para conductos.

**IMPORTANTE:** Observe todas las normas y ordenanzas vigentes.

**La ventilación inadecuada puede ocasionar la acumulación de humedad y pelusa en la casa, lo cual puede dar como resultado:**

- Daños de humedad en la carpintería, muebles, pintura, empapelado, alfombras, etc.
- Problemas en la limpieza de la casa y de salud.

Use un ducto de escape de metal pesado. No use un ducto de escape de plástico o de hoja de aluminio.

Se recomienda el ducto de escape de metal rígido para evitar que se aplaste o se tuerza.

El ducto de escape de metal flexible debe extenderse y sostenerse por completo cuando la secadora esté en su ubicación final. Quite el exceso del conducto de metal flexible para evitar que se doble y se tuerza, lo cual podría dar lugar a una reducción del flujo de aire y un funcionamiento insuficiente.

Una capota de ventilación debe tapar el ducto de escape para evitar el ingreso de roedores e insectos a la casa.

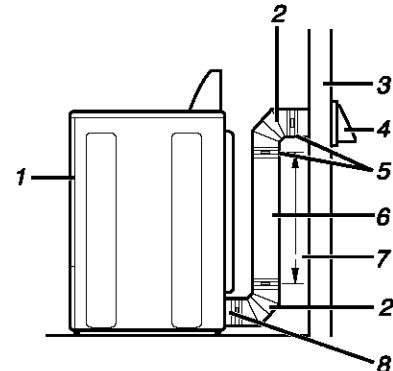
La capota de ventilación debe estar por lo menos a 12 pulg. (30,5 cm) de distancia del piso o de cualquier objeto que pudiese estar en el trayecto del ducto de escape (como flores, rocas o arbustos, etc).

Si se usa un sistema de ventilación existente, limpie la pelusa que está en toda la longitud del sistema y asegúrese de que la capota de ventilación no esté obstruida con pelusa. Reemplace cualquier ducto de escape de plástico o de hoja de metal por uno de metal rígido o de metal flexible.

## Planificación del sistema de ventilación

### Instalaciones típicas de escape

Las instalaciones típicas tienen la ventilación en la parte posterior de la secadora.



1. Secadora

2. Codo

3. Pared

4. Capota de ventilación

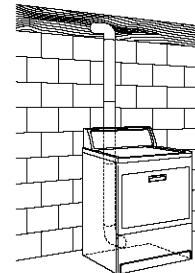
5. Abrazaderas

6. Tubo de metal rígido o tubo de metal flexible

7. Longitud necesaria del ducto de escape para conectar los codos

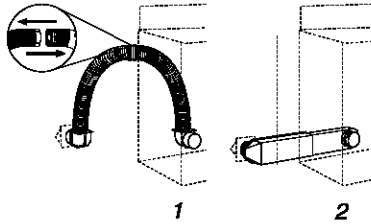
8. Salida de ventilación

### Instalación estándar de ventilación con ductos de metal rígidos o ductos de metal flexibles



## Instalaciones alternas para espacios limitados

Los sistemas de ventilación vienen en una amplia gama. Seleccione el tipo más apropiado para su instalación. A continuación se ilustran dos tipos de instalación para espacios limitados. Consulte las instrucciones del fabricante.



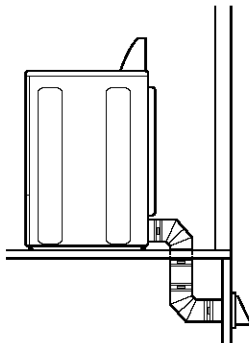
1. Instalación en la parte superior (también está disponible con un codo de desviación)
2. Instalación de periscopio

**NOTA:** Se pueden adquirir los siguientes juegos para instalaciones alternas en espacios limitados. Por favor vea los números de servicio ubicados en "Instrucciones para el usuario de la secadora".

- Instalación en la parte superior:  
Pieza número 4396028
- Instalación de periscopio (Para usar si hay desacoplo entre el ducto de escape de la pared y el conducto de ventilación de la secadora):  
Pieza número 4396037 - Desacoplo de 0 pulg. (0 cm) a 18 pulg. (45,72 cm).  
Pieza número 4396011 - Desacoplo de 18 pulg. (45,72 cm) a 29 pulg. (73,66 cm).  
Pieza número 4396014 - Desacoplo de 29 pulg. (73,66 cm) a 50 pulg. (127 cm).

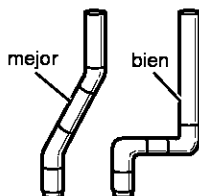
### Previsiones especiales para las instalaciones en casas rodantes

El ducto de escape deberá sujetarse firmemente en un lugar no inflamable de la estructura de la casa rodante y no debe terminar debajo de la casa rodante. El ducto de escape debe terminar en el exterior.



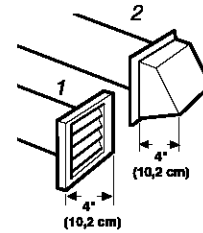
### Determinación de la longitud del ducto de escape

1. Seleccione la vía que proporcione el trayecto más recto y directo al exterior. Planifique la instalación a fin de usar el menor número posible de codos y vueltas. Cuando use los codos o haga vueltas, deje todo el espacio que sea posible. Doble el ducto de escape gradualmente para evitar que se retuerza. Evite vueltas de 90°.



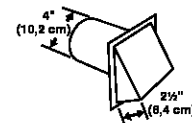
2. Determine la longitud del ducto de escape. La longitud máxima del sistema de ventilación depende de:
  - El tipo de ducto de escape (metal rígido o metal flexible).
  - El número de codos utilizados.
  - Tipo de capota.

Los estilos recomendados de capotas de ventilación se ilustran aquí.



1. Estilo de capota de ventilación tipo persiana
2. Estilo de capota de ventilación tipo caja

El estilo de capota de ventilación angular (que se ilustra a continuación) es aceptable.



Vea en el cuadro de longitudes de ducto de escape uno que vaya de acuerdo con su tipo de capota de ventilación para fijarse en las longitudes máximas del ducto de escape que usted puede usar.

Los sistemas de ventilación más largos que los especificados:

- Acortarán la vida de la secadora.
- Reducirán el rendimiento, dando lugar a tiempos de secado más largos y un aumento en el consumo de energía.

3. Determine el número de codos que va a necesitar.

**NOTA:** No use tendidos de ducto de escape más largos que los especificados en el cuadro de longitudes de ducto de escape.

El siguiente cuadro le ayudará a determinar la longitud máxima de su ducto, de acuerdo con el número de vueltas de 90° o codos que necesitará y con el tipo de ducto (metal rígido o metal flexible) y capota que va a usar.

Cuadro de longitudes de ducto de escape

No. de vueltas de 90° o codos	Tipo de ducto	Capotas de ventilación de caja o tipo persianas	Capotas angulares
0	Metal rígido	64 pies (20 m)	58 pies (17,7 m)
	Metal flexible	36 pies (11 m)	28 pies (8,5 m)
1	Metal rígido	54 pies (16,5 m)	48 pies (14,6 m)
	Metal flexible	31 pies (9,4 m)	23 pies (7 m)
2	Metal rígido	44 pies (13,4 m)	38 pies (11,6 m)
	Metal flexible	27 pies (8,2 m)	19 pies (5,8 m)
3	Metal rígido	35 pies (10,7 m)	29 pies (8,8 m)
	Metal flexible	25 pies (7,6 m)	17 pies (5,2 m)
4	Metal rígido	27 pies (8,2 m)	21 pies (6,4 m)
	Metal flexible	23 pies (7 m)	15 pies (4,6 m)



## Instalación del sistema de ventilación

1. (Opcional) Póngase lentes de seguridad y guantes.
2. Instale la capota de ventilación. Emplee una masilla de calafateo para sellar la abertura de la pared externa alrededor de la capota de ventilación.
3. Conecte el ducto de escape a la capota de ventilación. El ducto de escape debe encajar dentro de la capota de ventilación. Asegure el ducto de escape a la capota de ventilación con una abrazadera de 4 pulg. (10,2 cm).
4. Extienda el ducto de escape a la ubicación de la secadora. Use la trayectoria más recta posible. Vea "Determinación de la longitud del ducto de escape". Evite giros de 90°. Use abrazaderas para sellar todas las juntas. No use cinta adhesiva para conductos, tornillos ni otros dispositivos de fijación que se extiendan dentro del ducto de escape, para fijar el mismo.

## Instalación de las patas niveladoras

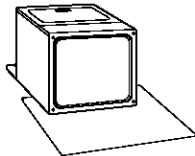
### ⚠ ADVERTENCIA

#### Peligro de Peso Excesivo

Use dos o más personas para mover e instalar la secadora.

No seguir esta instrucción puede ocasionar una lesión en la espalda u otro tipo de lesiones.

1. Para proteger el piso, use un pedazo de cartón grande y plano del cartón de la secadora. Coloque el cartón debajo de todo el borde posterior de la secadora. Vea la ilustración.
2. Sujete con firmeza el cuerpo de la secadora (no la parte superior o el panel de la consola). Coloque la secadora cuidadosamente sobre el cartón.



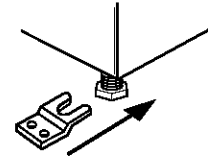
3. Examine las patas niveladoras. Localice la marca en forma de diamante.



4. Atornille con la mano las patas en los orificios de las patas. Use una llave de tuercas para terminar de atornillar las patas hasta que la marca en forma de diamante no quede visible.
5. Coloque un poste esquinale de cartón debajo de cada una de los 2 esquinales posteriores de la secadora. Ponga la secadora de pie. Deslice la secadora sobre los postes esquinales hasta que quede cerca de su ubicación final. Deje suficiente espacio para conectar el ducto de escape.
6. Una vez que la conexión esté hecha y que la secadora esté en su ubicación final, quite los postes esquinales y el cartón.

## Para uso en casas rodantes

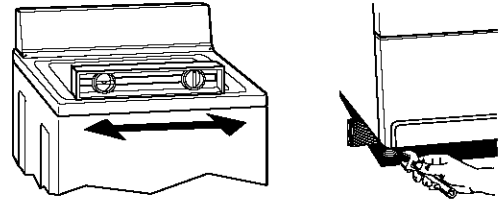
Las secadoras a gas deben ser aseguradas al piso con firmeza.



La instalación en casas rodantes requiere el Juego de Instalación para casas rodantes. Vea "Instrucciones para el usuario de la secadora" para información sobre cómo ordenar.

## Nivelación de la secadora

Revise la nivelación de la secadora. Verifique primero de lado a lado y luego del frente hacia atrás.



Si la secadora no está nivelada, apuntale la secadora, usando un bloque de madera. Use una llave de tuercas para regular las patas hacia arriba o hacia abajo y verifique nuevamente si la secadora está nivelada.

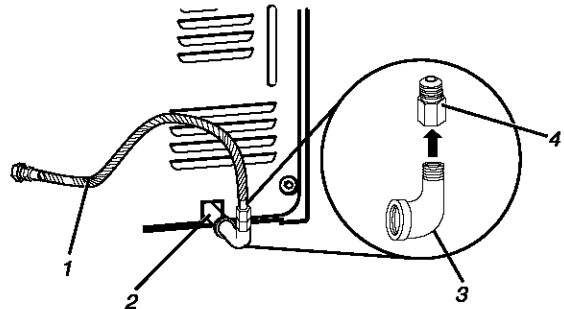
**NOTA:** Quizás sea necesario nivelar la secadora nuevamente después de trasladarla a su ubicación final.

## Conexión del suministro de gas

1. Quite la tapa roja del tubo de gas. Traslade la secadora a su ubicación final.
2. Utilizando una llave de tuercas, conecte el suministro de gas a la secadora. Use pegamento de unión de tubos para todas las roscas macho no abocinadas. Si se usa tubería flexible de metal, asegúrese que no hay partes retorcidas.

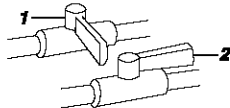
**NOTA:** Para las conexiones de gas L.P., debe usar un pegamento de unión de tubos resistente a la acción del gas L.P. No use cinta TEFLON®.

Se debe usar una combinación de tubos de unión para conectar la secadora a la línea de suministro de gas existente. A continuación se ilustra una conexión recomendada. Su conexión puede ser distinta, de acuerdo con el tipo de línea de suministro, tamaño y ubicación.



1. Conector flexible de gas de  $\frac{3}{8}$  de pulg.
2. Tubo de la secadora de  $\frac{3}{8}$  de pulg.
3. Codo de tubería de  $\frac{3}{8}$  de pulg. a  $\frac{1}{2}$  de pulg.
4. Accesorio adaptador abocinado de  $\frac{3}{8}$  de pulg.

- Abra la válvula de cierre del suministro. La válvula está abierta cuando la manija está paralela al tubo de gas.



1. Válvula cerrada  
2. Válvula abierta

- Pruebe todas las conexiones aplicando con un cepillo una solución aprobada para detección de fugas que no sea corrosiva. Se observarán burbujas si hay fuga. Tape cualquier fuga que encuentre.

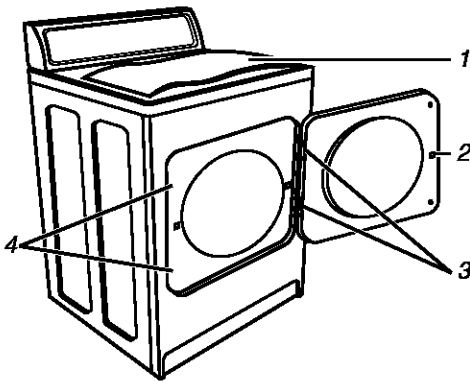
## Conexión del ducto de escape

- Usando una abrazadera de 4 pulg. (10,2 cm), conecte el ducto de escape a la salida de aire de la secadora. Si se conecta a un ducto de escape existente, asegúrese de que el mismo esté limpio. El ducto de escape de la secadora debe encajar sobre la salida de aire de la secadora y dentro de la capota de ventilación. Cerciórese de que el ducto de escape esté asegurado a la capota de ventilación con una abrazadera de 4 pulg. (10,2 cm).
- Mueva la secadora a su posición final. No aplaste ni retuerza el ducto de escape. Asegúrese de que la secadora esté nivelada.
- (En modelos de gas) Asegúrese de que no haya torceduras en la línea de gas flexible.

## Cómo invertir el cierre de la puerta (opcional)

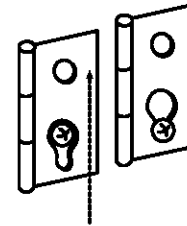
Si lo desea, puede cambiar la dirección del cierre de la puerta del lado derecho al lado izquierdo.

### Puerta grande de vaivén lateral de posición reversible



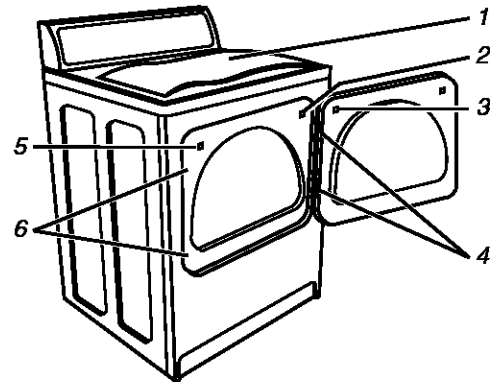
- Coloque una toalla (1) encima de la secadora para proteger la superficie.
- Abra la puerta de la secadora. Extraiga los tornillos inferiores de las bisagras del lado del gabinete (3). Afloje (no extraiga) los tornillos superiores de las bisagras del lado del gabinete.

- Levante la puerta hasta que los tornillos superiores del gabinete estén en la parte grande de la ranura de la bisagra. Tire de la puerta hacia adelante para separarla de los tornillos. Coloque la puerta encima de la secadora. Extraiga los tornillos superiores del gabinete.
- Use un destornillador pequeño de hoja plana para quitar con cuidado los cuatro tapones (4) de los orificios de la bisagra que están en el lado izquierdo del gabinete. Introduzca los tapones en los agujeros de la bisagra en el lado derecho del gabinete.
- Introduzca los tornillos en los agujeros inferiores en el lado izquierdo del gabinete. Atorníllelos por la mitad. Coloque la puerta de tal forma que el extremo grande de la ranura de la bisagra, y a su vez de la puerta, esté encima de los tornillos. Deslice la puerta hacia arriba para que los tornillos estén en la parte inferior de las ranuras. Apriete los tornillos. Introduzca y apriete los tornillos superiores en las bisagras.



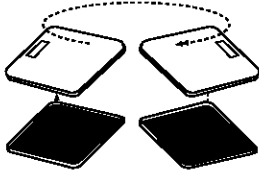
- Cierre la puerta y asegúrese de que el interruptor de la puerta esté alineado con el gancho (2). Si es necesario, deslice el gancho de la puerta hacia la izquierda o derecha dentro de la ranura para ajustar la alineación.

### Puerta super ancha de vaivén lateral de posición reversible

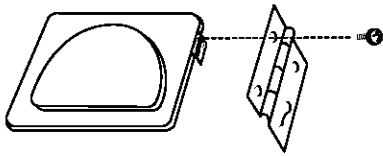


- Coloque una toalla (1) encima de la secadora para proteger la superficie.
- Abra la puerta de la secadora. Extraiga los tornillos inferiores de las bisagras del lado del gabinete (4). Afloje (no extraiga) los tornillos superiores de las bisagras del lado del gabinete.
- Levante la puerta hasta que los tornillos inferiores del gabinete estén en la parte grande de la ranura de la bisagra. Tire de la puerta hacia adelante para separarla de los tornillos. Coloque la puerta (con el lado de la manija hacia arriba) encima de la secadora. Extraiga los tornillos superiores del gabinete.
- Extraiga los tornillos que unen a las bisagras con la puerta.

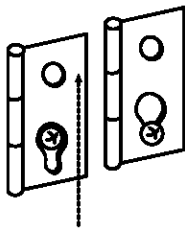
5. Extraiga los tornillos en la parte superior, inferior y lateral de la puerta (4 tornillos). Sosteniendo la puerta sobre la toalla en la secadora, sujete los costados de la parte exterior de la puerta y levante cuidadosamente para separarla de la parte interior de la puerta. No los separe utilizando una espátula. No tire del burlete de la puerta ni de los ganchos plásticos de la misma.
6. Tenga cuidado de mantener los espaciadores de cartón centrados entre las puertas. Vuelva a unir el panel exterior de la puerta al panel interior de la misma de manera que la manija se encuentre en el lado de donde se acaban de extraer las bisagras.



7. Una las bisagras con la puerta de manera que la parte grande de la ranura de la bisagra se encuentre en la parte de abajo de la bisagra.



8. Extraiga el interruptor de la puerta (5) del gabinete. Use un destornillador pequeño de punta plana para quitar cuidadosamente los 4 tapones para los agujeros de la bisagra (6) que se encuentran al lado izquierdo del gabinete. Introduzca los tapones en los agujeros de la bisagra en el lado derecho del gabinete.
9. Introduzca los tornillos en los agujeros inferiores en el lado izquierdo del gabinete. Atornillelos por la mitad. Coloque la puerta de tal forma que el extremo grande de la ranura de la bisagra esté sobre los tornillos. Deslice la puerta hacia arriba para que los tornillos estén en la parte de abajo de las ranuras. Apriete los tornillos. Introduzca y apriete los tornillos superiores en las bisagras.



10. Extraiga el tapón del interruptor de la puerta (2). Introduzca el interruptor de la puerta que usted quitó en el paso 8 en el agujero, y asegúrelo con un tornillo. Introduzca el tapón del interruptor de la puerta en el agujero original del interruptor de la puerta y asegúrelo con un tornillo.
11. Cierre la puerta y asegúrese de que el interruptor de la misma esté alineado con el pestillo de la puerta (3). Si es necesario, deslice el pestillo de la puerta hacia la izquierda o derecha dentro de la ranura a fin de ajustar la alineación.

## Complete la instalación

1. Revise para cerciorarse de que todas las piezas estén instaladas. Si hay alguna pieza extra, vuelva a revisar todos los pasos para ver cuál se omitió.
2. Verifique si tiene todas las herramientas.
3. Deshágase de todos los materiales de embalaje.
4. Revise la localización final de la secadora. Asegúrese de que el ducto de escape no esté aplastado o retorcido.
5. Verifique si la secadora está nivelada. (Vea "Nivelación de la secadora.")
6. Enchufe en un contacto con conexión a tierra de 3 terminales. Conecte la energía.
7. Quite la película protectora azul que está en la consola y cualquier cinta adhesiva que haya quedado en la secadora.
8. Lea "Instrucciones para el usuario de la secadora."
9. Limpie el interior del tambor de la secadora meticulosamente con un paño húmedo para quitar residuos de polvo.
10. Fije la secadora en un ciclo completo de calor (no el ciclo de aire) por 20 minutos y póngala en marcha.

### Si la secadora no funciona, revise lo siguiente:

- Que la secadora esté conectada en un contacto de 3 terminales con conexión a tierra.
  - Que el suministro eléctrico esté conectado.
  - Que el fusible de la casa esté intacto y ajustado; o que no se haya disparado el cortacircuitos.
  - Que la puerta de la secadora esté cerrada.
11. Después de que la secadora haya estado funcionando durante 5 minutos, abra la puerta y fíjese si está caliente. Si no siente calor, apague la secadora y verifique que esté abierta la válvula de cierre de la línea de suministro de gas.
    - Si está cerrada la válvula de cierre de la línea de suministro de gas, ábrala y repita la prueba de 5 minutos como se indicó anteriormente.
    - Si está abierta la válvula de cierre de la línea de suministro de gas, contacte a un técnico calificado.

**8535830B**

© 2003.  
All rights reserved.  
Todos los derechos reservados.

Benton Harbor, Michigan 49022  
TM DURASAFE is a trademark of Whirlpool, U.S.A.  
TM DURASAFE es una marca de comercio de Whirlpool, EE.UU.

10/03  
Printed in U.S.A.  
Impreso en EE.UU.