

29 IN. (73.7 CM) LONG VENT GAS DRYER INSTALLATION INSTRUCTIONS

INSTRUCTIONS D'INSTALLATION POUR SÈCHEUSE À GAZ À ÉVENT DE 29 PO (73,7 CM) DE LONG

Table of Contents / Table des matières

DRYER SAFETY	1	SÉCURITÉ DE LA SÈCHEUSE	11
INSTALLATION INSTRUCTIONS	2	INSTRUCTIONS D'INSTALLATION	12
Tools and Parts	2	Outillage et pièces nécessaires	12
Location Requirements	3	Emplacement d'installation	12
Electrical Requirements	4	Spécifications électriques	13
Gas Supply Requirements	4	Alimentation en gaz	14
Venting Requirements	5	Exigences concernant l'évacuation	15
Plan Vent System	6	Planification du système d'évacuation	16
Install Vent System	8	Installation du conduit d'évacuation	18
Install Leveling Legs	8	Installation des pieds de nivellement	18
Level Dryer.....	8	Mise à niveau de la sècheuse	18
Make Gas Connection	9	Raccordement au gaz	18
Connect Vent.....	9	Conduit d'évacuation	19
Reverse Door Swing (Optional)	9	Inversion de l'ouverture de la porte (facultatif)..	19
Complete Installation.....	10	Achever l'installation	20

DRYER SAFETY

Your safety and the safety of others are very important.

We have provided many important safety messages in this manual and on your appliance. Always read and obey all safety messages.



This is the safety alert symbol.

This symbol alerts you to potential hazards that can kill or hurt you and others.

All safety messages will follow the safety alert symbol and either the word "DANGER" or "WARNING."

These words mean:

⚠ DANGER

You can be killed or seriously injured if you don't immediately follow instructions.

⚠ WARNING

You can be killed or seriously injured if you don't follow instructions.

All safety messages will tell you what the potential hazard is, tell you how to reduce the chance of injury, and tell you what can happen if the instructions are not followed.

IMPORTANT SAFETY INSTRUCTIONS

When discarding or storing your old clothes dryer, remove the door.

SAVE THESE INSTRUCTIONS

WARNING: For your safety, the information in this manual must be followed to minimize the risk of fire or explosion, or to prevent property damage, personal injury, or death.

- Do not store or use gasoline or other flammable vapors and liquids in the vicinity of this or any other appliance.
- **WHAT TO DO IF YOU SMELL GAS:**
 - Do not try to light any appliance.
 - Do not touch any electrical switch; do not use any phone in your building.
 - Clear the room, building, or area of all occupants.
 - Immediately call your gas supplier from a neighbor's phone. Follow the gas supplier's instructions.
 - If you cannot reach your gas supplier, call the fire department.
- Installation and service must be performed by a qualified installer, service agency, or the gas supplier.

In the State of Massachusetts, the following installation instructions apply:

- Installations and repairs must be performed by a qualified or licensed contractor, plumber, or gasfitter qualified or licensed by the State of Massachusetts.
- If using a ball valve, it shall be a T-handle type.
- A flexible gas connector, when used, must not exceed 3 feet.

INSTALLATION INSTRUCTIONS

Tools and Parts

Check that you have everything necessary for correct installation. Proper installation is your responsibility.

- | | |
|---|---|
| ■ 8 in. or 10 in. pipe wrench | ■ Knife |
| ■ 8 in. or 10 in. adjustable wrench (for gas connections) | ■ Safety glasses |
| ■ Flat-blade screwdriver | ■ Vent clamps |
| ■ Adjustable wrench that opens to 1 in. (2.5 cm) or hex-head socket wrench (for adjusting dryer feet) | ■ Pipe-joint compound resistant to L.P. gas |
| ■ Level | ■ Caulking gun and compound (for installing new exhaust vent) |
| ■ ¼ in. nut driver or socket wrench | ■ Gloves |
| | ■ Pliers |

Parts supplied:

Remove parts package from dryer drum. Check that all parts were included.



4 leveling legs

Parts needed:

Check local codes and with gas supplier. Check existing gas supply, electrical supply and venting, and read "Electrical Requirements," "Gas Supply Requirements" and "Venting Requirements" before purchasing parts.

Mobile home installations require special parts (listed following) that may be ordered by calling the dealer from whom you purchased your dryer. For further information, please reference the front page of your "Dryer User Instructions."

- Mobile home installation kit. Ask for Part Number 346764.
- Metal exhaust system hardware.

Location Requirements

⚠ WARNING



Explosion Hazard

Keep flammable materials and vapors, such as gasoline, away from dryer.

Place dryer at least 18 Inches (46 cm) above the floor for a garage installation.

Failure to do so can result in death, explosion, or fire.

You will need

- A location that allows for proper exhaust installation. A gas dryer must be exhausted to the outdoors. See "Venting Requirements."
- A grounded electrical outlet located within 2 ft (61 cm) of either side of the dryer. See "Electrical Requirements."
- A sturdy floor to support the dryer and a total weight (dryer and load) of 200 lbs (90.7 kg). The combined weight of a companion appliance should also be considered.
- A level floor with a maximum slope of 1 in. (2.5 cm) under entire dryer. (If slope is greater than 1 in. [2.5 cm], install Extended Dryer Feet kit, Part No. 279810.) Clothes may not tumble properly and models with automatic sensor cycles may not operate correctly if dryer is not level.

Do not operate your dryer at temperatures below 45°F (7°C). At lower temperatures, the dryer might not shut off at the end of an automatic cycle. Drying times can be extended.

The dryer must not be installed or stored in an area where it will be exposed to water and/or weather.

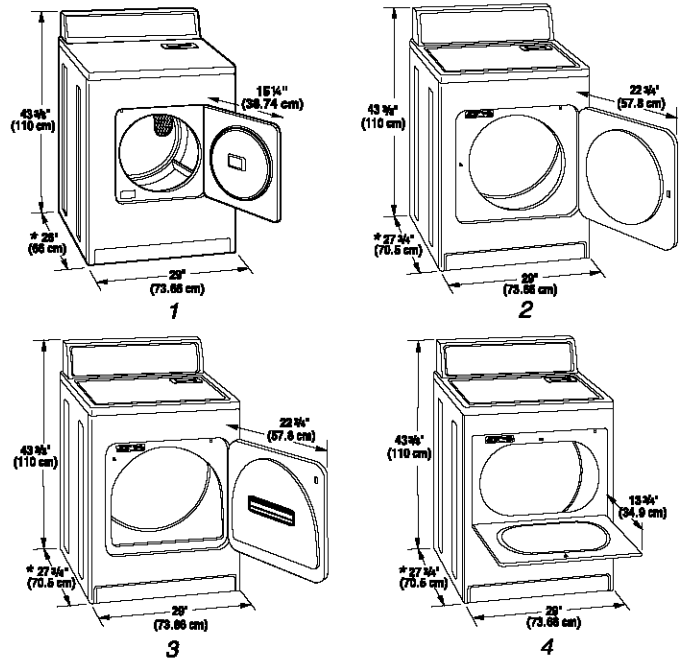
Check code requirements. Some codes limit, or do not permit, installation of the dryer in garages, closets, mobile homes, or sleeping quarters. Contact your local building inspector.

NOTE: No other fuel-burning appliance can be installed in the same closet as a dryer.

Installation Clearances

The location must be large enough to allow the dryer door to open fully.

Dryer Dimensions



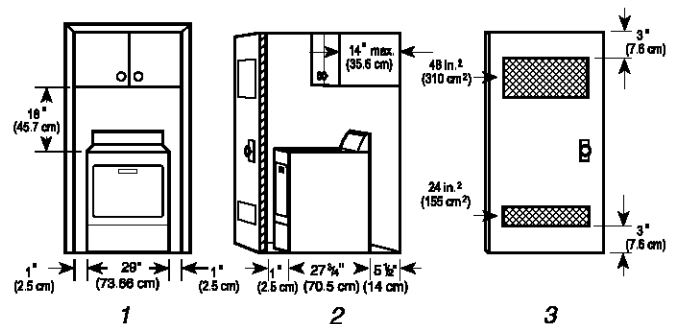
1. Small Opening Side-Swing Door
2. Large Opening Side-Swing Door
3. Wide Opening Side-Swing Door
4. Wide Opening Hamper Door

* Most installations require a minimum 5½ in. (14 cm) clearance behind the dryer for the exhaust vent with elbow. See "Venting Requirements."

Minimum installation spacing for recessed area or closet installation

The dimensions shown following are for the minimum spacing allowed.

- Additional spacing should be considered for ease of installation and servicing.
- Additional clearances might be required for wall, door and floor moldings.
- Additional spacing of 1 in. (2.5 cm) on all sides of the dryer is recommended to reduce noise transfer.
- For closet installation, with a door, minimum ventilation openings in the top and bottom of the door are required. Louvered doors with equivalent ventilation openings are acceptable.
- Companion appliance spacing should also be considered.



1. Recessed area
2. Side view - closet or confined area
3. Closet door with vents

Mobile Home-Additional Installation Requirements

This dryer is suitable for mobile home installations. The installation must conform to the Manufactured Home Construction and Safety Standard, Title 24 CFR, Part 3280 (formerly the Federal Standard for Mobile Home Construction and Safety, Title 24, HUD Part 280) or the Canadian Manufactured Home Standard, CAN/CSA-Z240 MH.

Mobile home installations require:

- Metal exhaust system hardware which is available for purchase from your dealer.
- Mobile Home Installation Kit Part #346764, see "Tools and Parts" section for ordering information.
- Special provisions must be made in mobile homes to introduce outside air into the dryer. The opening (such as a nearby window) should be at least twice as large as the dryer exhaust opening.

Electrical Requirements

⚠ WARNING



Electrical Shock Hazard

- Plug Into a grounded 3 prong outlet.
- Do not remove ground prong.
- Do not use an adapter.
- Do not use an extension cord.
- Failure to follow these instructions can result in death, fire, or electrical shock.

- 120-Volt, 60-Hz., AC-only, 15- or 20-amp fused electrical supply is required. (Time-delay fuse or circuit breaker is recommended.) It is recommended that a separate circuit serving only this dryer be provided.

IMPORTANT: The dryer must be electrically grounded in accordance with local codes, or in the absence of local codes, with the National Electrical Code, ANSI/NFPA 70 or Canadian Electrical Code, CSA C22.1.

GROUNDING INSTRUCTIONS

- For a grounded, cord-connected dryer:
This dryer must be grounded. In the event of malfunction or breakdown, grounding will reduce the risk of electric shock by providing a path of least resistance for electric current. This dryer is equipped with a cord having an equipment-grounding conductor and a grounding plug. The plug must be plugged into an appropriate outlet that is properly installed and grounded in accordance with all local codes and ordinances.

WARNING: Improper connection of the equipment-grounding conductor can result in a risk of electric shock. Check with a qualified electrician or service representative or personnel if you are in doubt as to whether the dryer is properly grounded. Do not modify the plug provided with the dryer: if it will not fit the outlet, have a proper outlet installed by a qualified electrician.

SAVE THESE INSTRUCTIONS

Gas Supply Requirements

⚠ WARNING



Explosion Hazard

- Use a new AGA or CSA approved gas supply line.
- Install a shut-off valve.
- Securely tighten all gas connections.
- If connected to LP, have a qualified person make sure gas pressure does not exceed 13" (33 cm) water column.
- Examples of a qualified person include:
Licensed heating personnel,
authorized gas company personnel, and
authorized service personnel.
- Failure to do so can result in death, explosion, or fire.

Gas Type

Natural Gas:

This dryer is equipped for use with NATURAL GAS. It is design-certified by CSA International for L.P. (propane or butane) gases with appropriate conversion.

- Your dryer must have the correct burner for the type of gas in your home. Burner information is located on the rating plate in the door well of your dryer. If this information does not agree with the type of gas available, contact your dealer or call the phone numbers referenced on the front page of your "Dryer User Instructions."

L.P. gas conversion:

Conversion must be made by a qualified technician.

No attempt shall be made to convert the appliance from the gas specified on the model/serial rating plate for use with a different gas without consulting the serving gas supplier.

IMPORTANT: The gas installation must conform with local codes, or in the absence of local codes, with the National Fuel Gas Code, ANSI Z223.1/NFPA 54 or the Canadian Natural Gas and Propane Installation Code, CSA B149.1.

Gas Supply Line:

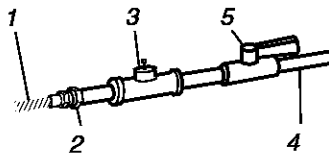
- ½ in. IPS pipe is recommended.
- ¾ in. approved tubing is acceptable for lengths under 20 ft (6.1 m) if local codes and gas supplier permit.
- Must include ½ in. NPT plugged tapping accessible for test gauge connection, immediately upstream of the gas connection to the dryer (see illustration).
- Must include a shutoff valve:

In the U.S.A.:

An individual shutoff valve must be installed within six (6) feet (1.8 m) of the dryer in accordance with the National Fuel Gas Code, ANSI Z223.1. The location should be easy to reach for opening and closing.

In Canada:

An individual manual shutoff valve must be installed in accordance with the B149, Natural Gas and Propane Installation Code. It is recommended that an individual manual shutoff valve be installed within six (6) feet (1.8 m) of the dryer. The location should be easy to reach for opening and closing.



1. ¾ in. flexible gas connector
2. ¾ in. pipe to flare adapter fitting
3. ½ in. NPT plugged tapping
4. ½ in. NPT gas supply line
5. Gas shutoff valve

Gas supply connection requirements

There are many methods by which your gas dryer can be connected to the gas supply. Listed here are some guidelines for two different methods of connection.

Option 1 (Recommended Method)

Flexible stainless steel gas connector:

- If local codes permit, use a new flexible stainless steel gas connector (Design Certified by the American Gas Association or CSA International) to connect your dryer to the rigid gas supply line. Use an elbow and a ¾ in. flare x ¾ in. NPT adapter fitting between the stainless steel gas connector and the dryer gas pipe, as needed to prevent kinking.

Option 2 (Alternate Method)

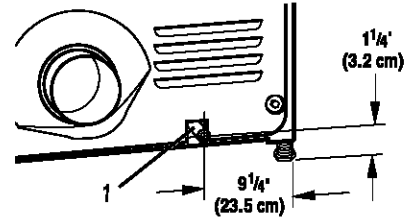
Approved aluminum or copper tubing:

- Lengths under 20 ft (6.1 m) can use ¾ in. approved tubing (if codes and gas supplier permit).
- If you are using natural gas, do not use copper tubing.
- ¾ in. flare x ¾ in. NPT adapter fitting between dryer pipe and ¾ in. approved tubing.

- Lengths over 20 ft (6.1 m) should use larger tubing and a different size adapter fitting.
 - If your dryer has been converted to use L.P. gas, ¾ in. L.P. compatible copper tubing can be used. If the total length of the supply line is more than 20 ft (6.1 m), use larger pipe.
- NOTE:** Pipe joint compounds that resist the action of L.P. gas must be used. Do not use TEFLON[®] tape.

Dryer Gas Pipe

- The gas pipe that comes out through the rear of your dryer has a ¾ in. male pipe thread.



1. ¾ in. NPT dryer pipe

Burner Input Requirements:

Elevations up to 10,000 feet (3,048 meters):

- The design of this dryer is certified by CSA International for use at altitudes up to 10,000 ft (3,048 m) above sea level at the B.T.U. rating indicated on the model/serial number plate. Burner input adjustments are not required when the dryer is operated up to this elevation.

Elevations above 10,000 feet (3,048 meters):

- When installed above 10,000 ft (3,048 m) a 4% reduction of the burner B.T.U. rating shown on the model/serial number plate is required for each 1,000 ft (305 m) increase in elevation.

Gas Supply Pressure Testing

- The dryer must be disconnected from the gas supply piping system during any pressure testing.

Venting Requirements

⚠ WARNING



Fire Hazard

Use a heavy metal vent.

Do not use a plastic vent.

Do not use a metal foil vent.

Failure to follow these instructions can result in death or fire.

WARNING: To reduce the risk of fire, this dryer MUST BE EXHAUSTED OUTDOORS.

4 in. (10.2 cm) heavy metal exhaust vent and clamps must be used. DURASAFE™ venting products are recommended.

DURASAFE™ vent products can be purchased from your dealer or by calling Whirlpool Parts and Accessories. For more information, see the "Assistance or Service" section of your "Dryer User Instructions."

†@TEFLON is a registered trademark of E.I. Du Pont De Nemours and Company

- The dryer exhaust must not be connected into any gas vent, chimney, wall, ceiling, or a concealed space of a building.
- Do not use an exhaust hood with a magnetic latch.
- Do not install flexible metal vent in enclosed walls, ceilings or floors.
- Use clamps to seal all joints. Exhaust vent must not be connected or secured with screws or other fastening devices which extend into the interior of the duct. Do not use duct tape.

IMPORTANT: Observe all governing codes and ordinances.

Improper venting can cause moisture and lint to collect indoors, which may result in:

- Moisture damage to woodwork, furniture, paint, wall-paper, carpets, etc.
- Housecleaning problems and health problems.

Use a heavy metal vent. Do not use plastic or metal foil vent. Rigid metal vent is recommended to prevent crushing and kinking. Flexible metal vent must be fully extended and supported when the dryer is in its final position. Remove excess flexible metal vent to avoid sagging and kinking that may result in reduced airflow and poor performance.

An exhaust hood should cap the vent to prevent rodents and insects from entering the home.

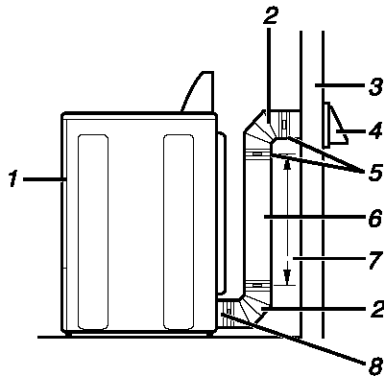
Exhaust hood must be at least 12 in. (30.5 cm) from the ground or any object that may be in the path of the exhaust (such as flowers, rocks or bushes, etc.).

If using an existing vent system, clean lint from the entire length of the system and make sure exhaust hood is not plugged with lint. Replace any plastic or metal foil vent with rigid metal or flexible metal vent.

Plan Vent System

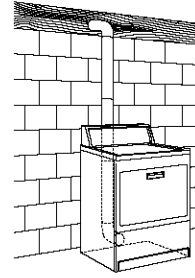
Typical exhaust installations

Typical installations vent the dryer from the rear of the dryer.



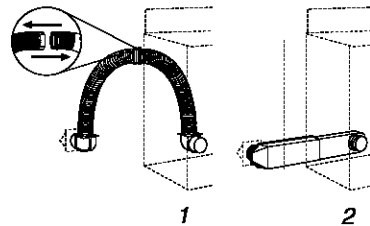
- | | |
|-----------------|--|
| 1. Dryer | 5. Clamps |
| 2. Elbow | 6. Rigid metal or flexible metal vent |
| 3. Wall | 7. Vent length necessary to connect elbows |
| 4. Exhaust hood | 8. Exhaust outlet |

Standard exhaust installation with rigid metal or flexible metal vent



Alternate installations for close clearances

Venting systems come in many varieties. Select the type best for your installation. Two close-clearance installations are shown. Refer to the manufacturer's instructions.



1. Over-The-Top installation (also available with one offset elbow)
2. Periscope installation

NOTE: The following kits for close clearance alternate installations are available for purchase. Please reference the "Assistance or Service" section of your "Dryer User Instructions."

■ **Over-The-Top Installation:**

Part Number 4396028

■ **Periscope Installation (For use with dryer vent to wall vent mismatch):**

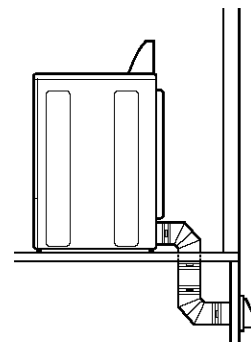
Part Number 4396037 - 0 in. (0 cm) to 18 in. (45.72 cm) mismatch

Part Number 4396011 - 18 in. (45.72 cm) to 29 in. (73.66 cm) mismatch

Part Number 4396014 - 29 in. (73.66 cm) to 50 in. (127 cm) mismatch

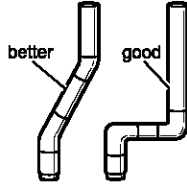
Special provisions for mobile home installations

The exhaust vent must be securely fastened to a noncombustible portion of the mobile home structure and must not terminate beneath the mobile home. Terminate the exhaust vent outside.



Determine Vent Length

1. Select the route that will provide the straightest and most direct path outdoors. Plan the installation to use the fewest number of elbows and turns. When using elbows or making turns, allow as much room as possible. Bend vent gradually to avoid kinking. Avoid 90° turns.

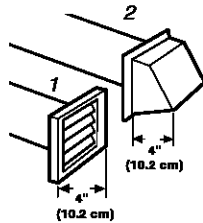


2. Determine vent length.

The maximum length of the exhaust system depends upon:

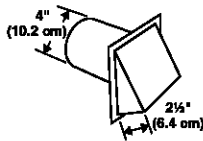
- The type of vent (rigid metal or flexible metal).
- The number of elbows used.
- If a combination of rigid and flexible metal vent is used.

Recommended hood styles are shown here.



1. Louvered hood style
2. Box hood style

The angled hood style (shown following) is acceptable.



The same length of vent can be used with any of the 3 exhaust hoods shown.

Exhaust systems longer than specified will:

- Shorten the life of the dryer.
- Reduce performance, resulting in longer drying times and increased energy usage.

3. Determine the number of elbows you will need.

NOTE: Do not use vent runs longer than specified in the Vent Length Chart.

When using only one type of metal vent:

Use the following chart to help you determine your maximum vent length based on the number of 90° turns or elbows you will need and the type of vent (rigid and/or flexible metal) you will use.

Vent Length Chart

Number of 90° turns or elbows	Rigid metal vent	Flexible metal vent
0	120 ft (36.6 m)	40 ft (12.2 m)
1	110 ft (33.5 m)	37 ft (11.3 m)
2	100 ft (30.5 m)	33 ft (10.1 m)
3	90 ft (27.4 m)	30 ft (9.1 m)
4	80 ft (24.4 m)	27 ft (8.2 m)
5	70 ft (21.3 m)	23 ft (7.0 m)

When using a combination of rigid and flexible metal vent:

Use the following charts to help you determine your maximum vent length based on the number of 90° turns or elbows you will need.

- Determine the number of elbows or turns you will need.
- Determine the length of the fully extended flexible metal vent you will use. Find the column that has the nearest number of feet to what you will be using.
- Match the number of turns or elbows with the length of the fully extended flexible metal vent you will use to find the maximum length of rigid metal vent you can use.

Vent Length Chart - 0 ft (0 m) to 10 ft (3.0 m)

No. of turns or elbows	Length of Flexible Metal Vent			Length of Rigid metal vent
	0 ft (0 m)	1-5 ft (.3-1.5 m)	6-10 ft (1.8-3.0 m)	
0	120 ft (36.6 m)	105 ft (32.0 m)	90 ft (27.4 m)	
1	110 ft (33.5 m)	95 ft (29.0 m)	80 ft (24.4 m)	
2	100 ft (30.5 m)	85 ft (25.9 m)	70 ft (21.3 m)	
3	90 ft (27.4 m)	75 ft (22.9 m)	60 ft (18.3 m)	
4	80 ft (24.4 m)	65 ft (19.8 m)	50 ft (15.2 m)	
5	70 ft (21.3 m)	55 ft (16.8 m)	40 ft (12.2 m)	

Vent Length Chart - 11 ft (3.4 m) to 25 ft (7.6 m)

No. of turns or elbows	Length of Flexible Metal Vent			Length of Rigid metal vent
	11-15 ft (3.4-4.6 m)	16-20 ft (4.9-6.1 m)	21-25 ft (6.4-7.6 m)	
0	75 ft (22.9 m)	60 ft (18.3 m)	45 ft (13.7 m)	
1	65 ft (19.8 m)	50 ft (15.2 m)	35 ft (10.7 m)	
2	55 ft (16.8 m)	40 ft (12.2 m)	25 ft (7.6 m)	
3	45 ft (13.7 m)	30 ft (9.1 m)	15 ft (4.6 m)	
4	35 ft (10.7 m)	20 ft (6.1 m)	5 ft (1.5 m)	
5	25 ft (7.6 m)	10 ft (3.0 m)	0 ft (0 m)	

Install Vent System

- (Optional) Put on safety glasses and gloves.
- Install exhaust hood. Use caulking compound to seal exterior wall opening around exhaust hood.
- Connect vent to exhaust hood. Vent must fit inside exhaust hood. Secure vent to exhaust hood with 4 in. (10.2 cm) clamp.
- Run vent to dryer location. Use the straightest path possible. See "Determine Vent Length." Avoid 90° turns. Use clamps to seal all joints. Do not use duct tape, screws or other fastening devices that extend into the interior of the vent to secure vent.

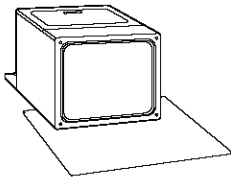
Install Leveling Legs

⚠ WARNING

Excessive Weight Hazard

Use two or more people to move and install dryer.
Failure to do so can result in back or other injury.

- To protect the floor, use a large flat piece of cardboard from the dryer carton. Place cardboard under the entire back edge of the dryer. See illustration.
- Firmly grasp the body of the dryer (not the top or console panel).



Gently lay the dryer on the cardboard corners.

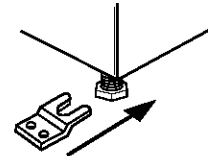
- Examine the leveling legs. Find the diamond marking.



- Screw the legs into the leg holes by hand. Use a wrench to finish turning the legs until the diamond marking is no longer visible.
- Place a carton corner post under each of the 2 dryer back corners. Stand the dryer up. Slide the dryer on the corner posts until it is close to its final location. Leave enough room to connect the exhaust vent.
- Once connection is made and dryer is in final location, remove corner posts and cardboard.

For mobile home use

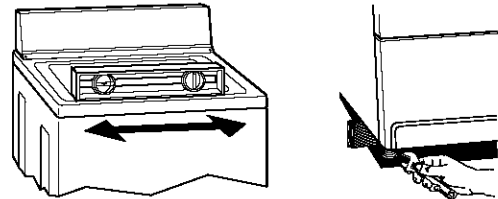
Gas dryers must be securely fastened to the floor.



Mobile home installations require a Mobile Home Installation Kit. For ordering information please reference your "Dryer User Instructions."

Level Dryer

Check the levelness of the dryer. Check levelness first side-to-side, then front-to-back.



If the dryer is not level, prop up the dryer using a wood block. Use a wrench to adjust the legs up or down and check again for levelness.

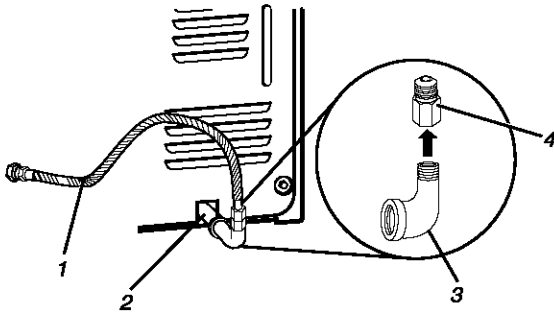
NOTE: It might be necessary to level the dryer again after it is moved into its final position.

Make Gas Connection

1. Remove the red cap from the gas pipe. Move the dryer close to its final position.
2. Using a wrench to tighten, connect the gas supply to the dryer. Use pipe joint compound on all non-flared male threads. If flexible metal tubing is used, be sure there are no kinks.

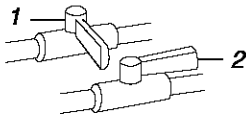
NOTE: For L.P. gas connections, you must use pipe joint compound resistant to the action of L.P. gas. Do not use TEFLON® tape.

A combination of pipe fittings must be used to connect the dryer to the existing gas line. Shown following is a recommended connection. Your connection may be different, according to the supply line type, size, and location.



1. $\frac{1}{2}$ in. flexible gas connector
2. $\frac{1}{2}$ in. dryer pipe
3. $\frac{3}{8}$ in. to $\frac{1}{2}$ in. pipe elbow
4. $\frac{1}{2}$ in. pipe-to-flare adapter fitting

3. Open the shutoff valve in the supply line. The valve is open when the handle is parallel to the gas pipe.



1. Closed valve
2. Open valve

4. Test all connections by brushing on an approved non-corrosive leak-detection solution. Bubbles will show a leak. Correct any leak found.

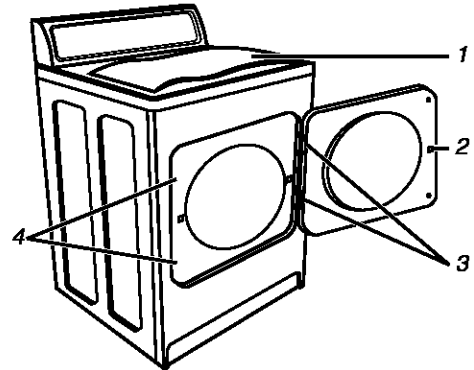
Connect Vent

1. Using a 4 in. (10.2 cm) clamp, connect vent to exhaust outlet in dryer. If connecting to existing vent, make sure the vent is clean. The dryer vent must fit over the dryer exhaust outlet and inside the exhaust hood. Make sure the vent is secured to exhaust hood with a 4 in. (10.2 cm) clamp.
2. Move dryer into final position. Do not crush or kink vent. Make sure dryer is level.
3. (On gas models) Check to be sure there are no kinks in the flexible gas line.

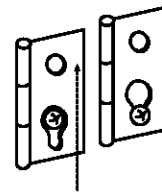
Reverse Door Swing (Optional)

You can change your door swing from a right-side opening to a left-side opening, if desired.

Reversible Large Side-Swing Door

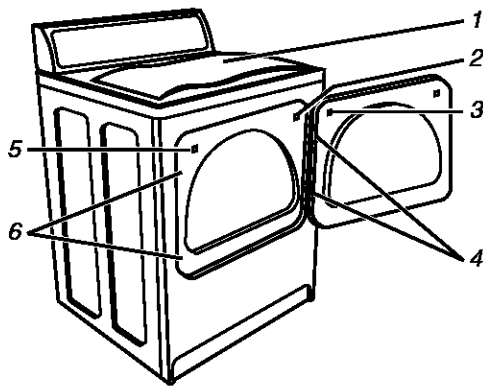


1. Place towel (1) on top of dryer to protect surface.
2. Open dryer door. Remove bottom screws from cabinet side of hinges (3). Loosen (do not remove) top screws from cabinet side of hinges.
3. Lift door until top screws in cabinet are in large part of hinge slot. Pull door forward off screws. Set door on top of dryer. Remove top screws from cabinet.
4. Use a small, flat-blade screwdriver to carefully remove 4 hinge hole plugs (4) on left side of cabinet. Insert plugs in hinge holes on right side of cabinet.
5. Insert screws in bottom holes on left side of cabinet. Tighten screws halfway. Position door so large end of door hinge slot is over screws. Slide door up so screws are in bottom of slots. Tighten screws. Insert and tighten top screws in hinges.

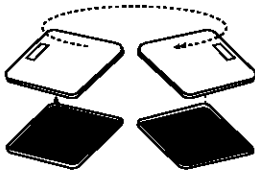


6. Close door and check that door strike aligns with door catch (2). If needed, slide door catch left or right within slot to adjust alignment.

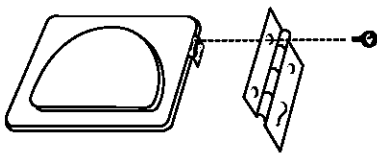
Reversible Super Wide Side-Swing Door



1. Place towel (1) on top of dryer to protect surface.
2. Open dryer door. Remove bottom screws from cabinet side of hinges (4). Loosen (do not remove) top screws from cabinet side of hinges.
3. Lift door until top screws in cabinet are in large part of hinge slot. Pull door forward off screws. Set door (handle side up) on top of dryer. Remove top screws from cabinet.
4. Remove screws attaching hinges to door.
5. Remove screws at top, bottom and side of door (4 screws). Holding door over towel on dryer, grasp sides of outer door and carefully lift to separate it from inner door. Do NOT pry apart with putty knife. Do NOT pull on door seal or plastic door catches.
6. Be careful to keep cardboard spacer centered between doors. Reattach outer door panel to inner door panel so handle is on the side where hinges were just removed.

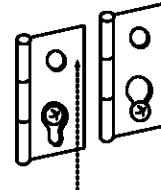


7. Attach door hinges to door so large part of hinge slot is at bottom of hinge.



8. Remove door strike (5) from cabinet. Use a small, flat-blade screwdriver to carefully remove 4 hinge hole plugs (6) on left side of cabinet. Insert plugs in hinge holes on right side of cabinet.

9. Insert screws in bottom holes on left side of cabinet. Tighten screws halfway. Position door so large end of door hinge slot is over screws. Slide door up so screws are in bottom of slots. Tighten screws. Insert and tighten top screws in hinges.



10. Remove door strike plug (2). Insert the door strike you removed in Step 8 in hole and secure with screw. Insert door strike plug in original door strike hole and secure with screw.
11. Close door and check that door strike aligns with door catch (3). If needed, slide door catch left or right within slot to adjust alignment.

Complete Installation

1. Check to be sure all parts are now installed. If there is an extra part, go back through the steps to see which step was skipped.
2. Check to be sure you have all of your tools.
3. Dispose of all packaging materials.
4. Check the dryer's final location. Be sure the vent is not crushed or kinked.
5. Check to be sure the dryer is level. (See "Level Dryer.")
6. Plug into a grounded 3 prong outlet. Turn power on.
7. Remove the blue protective film on the console and any tape remaining on the dryer.
8. Read your "Dryer User Instructions."
9. Wipe the dryer drum interior thoroughly with a damp cloth to remove any dust.
10. Set the dryer on a full heat cycle (not an air cycle) for 20 minutes and start the dryer.

If the dryer will not start, check the following:

- Dryer is plugged into a grounded 3 prong outlet.
 - Electrical supply is connected.
 - House fuse is intact and tight; or circuit breaker has not tripped.
 - Dryer door is closed.
11. When the dryer has been running for 5 minutes, open the dryer door and feel for heat. If you do not feel heat, turn the dryer off and check to see whether gas supply line shutoff valve is open.
 - If the gas supply line shutoff valve is closed, open it, then repeat the 5-minute test as outlined above.
 - If the gas supply line shutoff valve is open, contact a qualified technician.

INSTRUCTIONS D'INSTALLATION POUR SÈCHEUSE À GAZ À ÉVENT DE 29 PO (73,7 CM) DE LONG

SÉCURITÉ DE LA SÈCHEUSE

Votre sécurité et celle des autres est très importante.

Nous donnons de nombreux messages de sécurité importants dans ce manuel et sur votre appareil ménager. Assurez-vous de toujours lire tous les messages de sécurité et de vous y conformer.



Voici le symbole d'alerte de sécurité.

Ce symbole d'alerte de sécurité vous signale les dangers potentiels de décès et de blessures graves à vous et à d'autres.

Tous les messages de sécurité suivront le symbole d'alerte de sécurité et le mot "DANGER" ou "AVERTISSEMENT". Ces mots signifient :

▲ DANGER

Risque possible de décès ou de blessure grave si vous ne suivez pas immédiatement les instructions.

▲ AVERTISSEMENT

Risque possible de décès ou de blessure grave si vous ne suivez pas les instructions.

Tous les messages de sécurité vous diront quel est le danger potentiel et vous disent comment réduire le risque de blessure et ce qui peut se produire en cas de non-respect des instructions.

IMPORTANTES INSTRUCTIONS DE SÉCURITÉ

Avant de jeter ou de ranger votre vieille sècheuse, enlever la porte.

CONSERVEZ CES INSTRUCTIONS

AVERTISSEMENT : Pour votre sécurité, les renseignements dans ce manuel doivent être observés pour réduire au minimum les risques d'incendie ou d'explosion ou pour éviter des dommages au produit, des blessures ou un décès.

- Ne pas entreposer ou utiliser de l'essence ou d'autres vapeurs ou liquides inflammables à proximité de cet appareil ou de tout autre appareil électroménager.
- QUE FAIRE DANS LE CAS D'UNE ODEUR DE GAZ :
 - Ne pas tenter d'allumer un appareil.
 - Ne pas toucher à un commutateur électrique; ne pas utiliser le téléphone se trouvant sur les lieux.
 - Évacuer tous les gens de la pièce, de l'édifice ou du quartier.
 - Appeler immédiatement le fournisseur de gaz d'un téléphone voisin. Suivre ses instructions.
 - À défaut de joindre votre fournisseur de gaz, appeler les pompiers.
- L'installation et l'entretien doivent être effectués par un installateur qualifié, une agence de service ou le fournisseur de gaz.

INSTRUCTIONS D'INSTALLATION

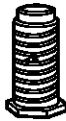
Outillage et pièces nécessaires

S'assurer d'avoir tout le nécessaire pour une installation convenable. C'est à l'utilisateur qu'incombe la responsabilité d'assurer une installation convenable.

- Clé à tuyau de 8 ou 10 po
- Clé à molette à manche de 8 ou 10 po (pour le raccordement au gaz)
- Tournevis à lame plate
- Clé à molette avec ouverture jusqu'à 1 po (2,5 cm) ou clé à douille hexagonale (pour ajuster les pieds de la sècheuse)
- Niveau
- Tourne-écrou ou clé à douille de ¼ po
- Couteau
- Lunettes de sécurité
- Clapets d'évacuation
- Composé d'étanchéité des tuyauteries résistant au gaz de pétrole liquéfié
- Pistolet à calfeutrage et composé de calfeutrage (pour l'installation d'un nouveau circuit d'évacuation)
- Gants
- Pince

Pièces fournies :

Retirer le sachet de pièces du tambour de la sècheuse. Vérifier que toutes les pièces de la liste sont présentes.



4 pieds de nivellement

Pièces nécessaires :

Consulter les codes locaux et le fournisseur de gaz, vérifier l'alimentation en gaz existante, l'alimentation électrique et le circuit d'évacuation, et lire les sections "Spécifications électriques", "Alimentation en gaz" et "Exigences concernant l'évacuation" avant d'acheter les pièces nécessaires.

Les installations pour maison mobile nécessitent des pièces particulières (voir liste ci-dessous) qui peuvent être commandées en appelant le marchand chez qui vous avez acheté votre sècheuse. Pour plus d'information, veuillez consulter la première page des "Instructions d'utilisation de la sècheuse".

- Trousse d'installation pour maison mobile. Demander le numéro de pièce 346764.
- Système d'évacuation en métal.

Emplacement d'installation

⚠ AVERTISSEMENT



Risque d'explosion

Garder les matières et les vapeurs inflammables, telle que l'essence, loin de la sècheuse.

Placer la sècheuse au moins 46 cm (18 po) au-dessus du plancher pour une installation dans un garage.

Le non-respect de ces instructions peut causer un décès, une explosion ou un incendie.

On a besoin de

- Un emplacement avec un conduit d'évacuation à proximité. Une sècheuse à gaz doit être évacuée à l'extérieur. Voir "Exigences concernant l'évacuation".
- Une prise électrique avec liaison à la terre située à moins de 2 pi (61 cm) de l'un des côtés de la sècheuse. Voir "Spécifications électriques".
- Un plancher robuste capable de supporter un poids total (sècheuse et charge) de 200 lb (90,7 kg). Le poids combiné d'un appareil voisin doit également être pris en compte.
- Un plancher horizontal avec une pente maximale de 1 po (2,5 cm) sous l'ensemble de la sècheuse. (Si la pente est supérieure à 1 po (2,5 cm), installer l'ensemble de pieds plus longs n° de pièce 279810.) Si la sècheuse n'est pas d'aplomb, le linge peut ne pas culbutter convenablement et les programmes commandés par des détecteurs automatiques peuvent ne pas fonctionner correctement.

Ne pas faire fonctionner la sècheuse à une température inférieure à 45°F (7°C). À des températures inférieures, la sècheuse risque de ne plus s'arrêter à la fin d'un programme automatique. Les temps de séchage risquent alors d'augmenter.

La sècheuse ne doit pas être installée ou remise dans un endroit où elle sera exposée à l'eau et/ou aux intempéries.

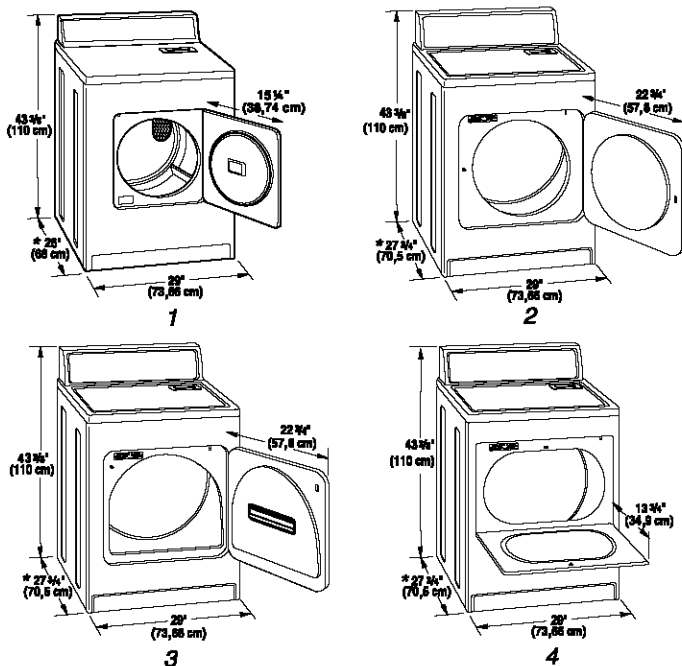
Vérifier les règlements locaux. Certains codes limitent ou n'autorisent pas l'installation des sècheuses dans un garage, un placard, une maison mobile ou une chambre à coucher. Communiquer avec l'inspecteur des bâtiments local.

REMARQUE : Aucun autre appareil consommant un combustible ne doit être installé dans le même placard que la sècheuse.

E spacements d'installation

L'emplacement doit être assez grand pour permettre d'ouvrir complètement la porte de la sècheuse.

Dimensions de la sècheuse



1. Porte à pivotement latéral à petite ouverture
2. Porte à pivotement latéral à grande ouverture
3. Porte à pivotement latéral à large ouverture
4. Porte rabattable à large ouverture

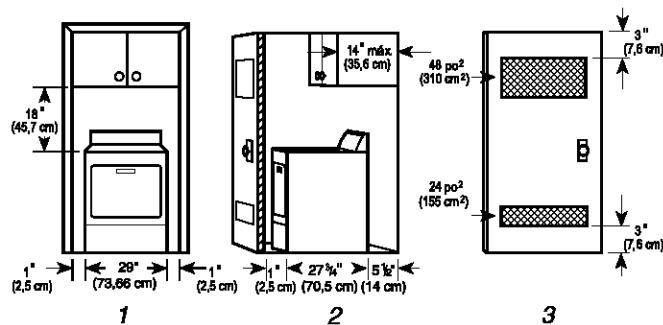
* La plupart des installations requièrent un espace minimum de 5½ po (14 cm) derrière la sècheuse pour le conduit d'évacuation avec coude. Voir "Exigences concernant l'évacuation".

E spacement minimum pour une installation dans un encastrement ou dans un placard

Les dimensions suivantes indiquées sont pour l'espace minimal accordé.

- On prévoira un peu plus d'espace pour faciliter l'installation et l'entretien.
- Un espace supplémentaire peut être requis pour les moulures de porte et de plancher et pour les plinthes.
- Un espace supplémentaire de 1 po (2,5 cm) de tous les côtés de la sècheuse est recommandé pour réduire le transfert du bruit.
- Pour l'installation dans un placard avec porte, on doit prévoir des orifices d'entrée d'air minimums en haut et en bas de la porte. Les portes à claire-voie offrant une surface équivalente de passage de l'air sont acceptables.

- Il faut aussi prendre en compte l'espace requis entre les appareils voisins.



1. Encastrement
2. Vue latérale – placard ou endroit exigü
3. Porte du placard avec orifices d'entrée d'air

Exigences additionnelles concernant l'installation dans une maison mobile

Cette sècheuse peut être installée dans une maison mobile. L'installation doit satisfaire les critères de la Norme de construction et de sécurité des habitations préfabriquées des É.-U., Titre 24 CFR, partie 3280 (anciennement Norme fédérale de construction et de sécurité des habitations préfabriquées, Titre 24 HUD, partie 280) ou de la Norme canadienne des habitations préfabriquées, CAN/CSA-Z240MH.

L'installation dans une maison mobile exige :

- Système d'évacuation en métal, disponible à l'achat chez votre marchand.
- La trousse d'installation pour une maison mobile n° 346764. Voir la section "Outillage et pièces nécessaires" pour les renseignements de commande.
- Il faut prendre des dispositions spéciales pour l'apport d'air de l'extérieur dans la sècheuse lors d'une installation dans une maison mobile. La surface de toute ouverture pour l'apport d'air extérieur (telle qu'une fenêtre à proximité) devrait être au moins deux fois plus grande que l'ouverture de décharge de la sècheuse.

Spécifications électriques

⚠ AVERTISSEMENT



Risque de choc électrique

Brancher sur une prise à 3 alvéoles reliée à la terre.

Ne pas enlever la broche de liaison à la terre.

Ne pas utiliser un adaptateur.

Ne pas utiliser un câble de rallonge.

Le non-respect de ces instructions peut causer un décès, un incendie ou un choc électrique.

- L'appareil doit être alimenté uniquement par un circuit de 120 V CA, 60 Hz, 15 ou 20 ampères, protégé par fusible. (On recommande l'emploi d'un fusible ou d'un disjoncteur temporisé.) Il est recommandé de raccorder l'appareil sur un circuit distinct exclusif à cet appareil.

IMPORTANT : La sècheuse doit être reliée à la terre conformément aux codes locaux, ou en l'absence de codes locaux, au Code canadien d'électricité, CSA C22.1.

INSTRUCTIONS DE LIAISON À LA TERRE

- Pour une sècheuse reliée à la terre et connectée par un cordon :

Cette sècheuse doit être reliée à la terre. En cas de mauvais fonctionnement ou de panne, la liaison à la terre réduira le risque de choc électrique en offrant au courant électrique un acheminement d'évacuation de moindre résistance. Cette sècheuse est alimentée par un cordon électrique comportant un conducteur relié à la terre et une fiche de branchement munie d'une broche de liaison à la terre. La fiche doit être branchée sur une prise appropriée qui est bien installée et reliée à la terre conformément à tous les codes et règlements locaux.

AVERTISSEMENT : Le raccordement incorrect de cet appareil au conducteur de liaison à la terre peut susciter un risque de choc électrique. En cas de doute quant à la qualité de liaison à la terre de la sècheuse, consulter un électricien ou un technicien ou un personnel qualifié. Ne pas modifier la fiche de branchement fournie avec la sècheuse; si la fiche ne correspond pas à la configuration de la prise de courant, demander à un électricien qualifié d'installer une prise de courant appropriée.

CONSERVEZ CES INSTRUCTIONS

Alimentation en gaz

⚠ AVERTISSEMENT



Risque d'explosion

Utiliser une canalisation neuve d'arrivée de gaz approuvée par AGA ou CSA International.

Installer un robinet d'arrêt.

Bien serrer chaque organe de connexion de la canalisation de gaz.

En cas de connexion au gaz propane, demander à une personne qualifiée de s'assurer que la pression de gaz ne dépasse pas 33 cm (13 po) de la colonne d'eau.

Par personne qualifiée, on comprend :

le personnel autorisé de chauffage,
le personnel autorisé d'une compagnie de gaz, et
le personnel d'entretien autorisé.

Le non-respect de ces Instructions peut causer un décès, une explosion ou un incendie.

Type de gaz

Gaz naturel :

Cette sècheuse est équipée pour une alimentation au GAZ NATUREL. Sa conception est homologuée par la CSA International pour l'alimentation au gaz de pétrole liquéfié (propane ou butane), avec conversion appropriée.

- Cette sècheuse doit être équipée du brûleur convenable, correspondant au gaz spécifique qui alimente l'habitation. L'information sur le brûleur se trouve sur la plaque signalétique dans le logement de la porte de la sècheuse. Si cette information ne correspond pas au type de gaz disponible, contacter votre marchand ou composer les numéros de téléphone indiqués sur la première page des "Instructions d'utilisation de la sècheuse".

Conversion au gaz de pétrole liquéfié :

Un technicien qualifié doit effectuer la conversion.

Ne pas entreprendre de convertir l'appareil pour l'utilisation d'un gaz différent de celui indiqué sur la plaque signalétique de numéro de modèle/série sans d'abord consulter le fournisseur de gaz.

IMPORTANT : L'installation au gaz doit être conforme aux codes locaux, ou en l'absence de codes locaux, au Code National d'alimentation au gaz, à la norme ANSI Z223.1/NFPA 54 ou au Code canadien des installations au gaz naturel et au propane, CSA B149.1.

Canalisation d'arrivée de gaz :

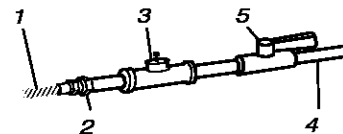
- Un tuyau IPS de ½ po est recommandé.
- Pour les longueurs inférieures à 20 pi (6,1 m), on peut utiliser des tuyaux approuvés de ¾ po (si les codes locaux et le fournisseur de gaz le permettent).
- La tuyauterie doit inclure une connexion NPT ½ po avec bouchon accessible pour le raccordement d'un manomètre, immédiatement en amont de la connexion à la canalisation de gaz à la sècheuse (voir l'illustration).
- Doit comporter un robinet d'arrêt du gaz :

Aux États-Unis :

Un robinet d'arrêt individuel doit être installé à six (6) pieds (1,8 m) de la sècheuse conformément au Code National d'alimentation au gaz, ANSI Z223.1. L'emplacement doit être facilement accessible pour l'ouverture et la fermeture.

Au Canada :

Un robinet d'arrêt manuel individuel doit être installé conformément à la norme B149 du Code des installations au gaz naturel ou propane. On recommande l'installation d'un robinet d'arrêt manuel individuel à six (6) pieds (1,8 m) de la sècheuse. L'emplacement doit être facilement accessible pour l'ouverture et la fermeture.



1. Connecteur au gaz souple de ¾ po
2. Adaptateur du tuyau au joint conique de ¾ po
3. Filetage conique colmaté NPT de ½ po
4. Canalisation d'arrivée de gaz NPT de ½ po
5. Robinet d'arrêt du gaz

Exigences concernant le raccordement au gaz

Cette sècheuse à gaz peut être raccordée au gaz de nombreuses façons différentes. Voici ci-dessous quelques directives pour deux méthodes de raccordement différentes.

Option 1 (méthode recommandée)

Conduit de raccordement au gaz en acier inoxydable souple :

- Si les codes locaux le permettent, utiliser un conduit en acier inoxydable souple neuf (conception homologuée par la American Gas Association ou la CSA International) pour raccorder la sècheuse à la conduite d'alimentation en gaz rigide. Utiliser un coude et un adaptateur NPT de ¾ po x ¾ po entre le conduit de raccordement au gaz en acier inoxydable et le conduit de gaz de la sècheuse, tel que nécessaire pour éviter la déformation.

Option 2 (méthode de rechange)

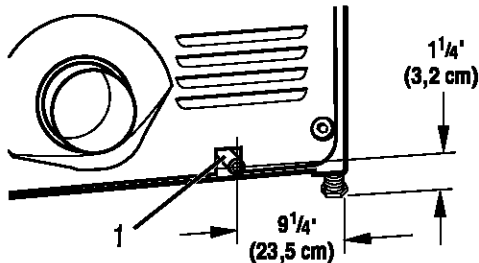
Conduit approuvé en aluminium ou en cuivre :

- Pour les longueurs inférieures à 20 pi (6,1 m), on peut utiliser des tuyaux approuvés de 3/8 po (si les codes et le fournisseur de gaz le permettent).
- Pour le gaz naturel, ne pas utiliser de conduits en cuivre.
- Adaptateur de 3/8 po x tuyau NPT de 3/8 po entre le conduit de la sécheuse et le tuyau approuvé de 3/8 po.
- Pour les longueurs supérieures à 20 pi (6,1 m), on peut utiliser des tuyaux plus gros et un adaptateur de grosseur différente.
- Si la sécheuse a été convertie au gaz de pétrole liquéfié, on peut utiliser un tuyau en cuivre compatible au gaz de pétrole liquéfié de 3/8 po. Si la longueur totale de la canalisation d'arrivée de gaz est supérieure à 20 pi (6,1 m), utiliser un plus gros conduit.

REMARQUE : On doit utiliser un composé d'étanchéité des tuyauteries résistant à l'action du gaz de pétrole liquéfié. Ne pas utiliser de ruban TEFLON®†.

Canalisation d'arrivée de gaz de la sécheuse

- La canalisation d'arrivée de gaz sortant à l'arrière de la sécheuse est dotée d'un filetage mâle de 3/8 po.



1. Tuyau NPT de la sécheuse de 3/8 po

Caractéristiques d'alimentation du brûleur :

Altitudes inférieures à 10 000 pi (3048 m) :

- La conception de cette sécheuse a été homologuée par CSA International pour l'utilisation jusqu'à une altitude de 10 000 pi (3048 m) pour le débit thermique indiqué sur la plaque signalétique de numéro de modèle/série. Aucun réglage du brûleur n'est nécessaire lorsque la sécheuse est utilisée à une altitude inférieure à cette valeur maximale.

Altitudes supérieures à 10 000 pi (3048 m) :

- Si la sécheuse doit être utilisée à une altitude supérieure à 10 000 pieds (3048 m), on doit réduire de 4 % le débit thermique du brûleur indiqué sur la plaque signalétique de numéro de modèle/série pour chaque tranche de 1000 pieds (305 m) d'augmentation de l'altitude.

Épreuve sous pression de l'alimentation en gaz

- La sécheuse doit être déconnectée de la canalisation d'arrivée de gaz durant tout test de pression.

Exigences concernant l'évacuation

⚠ AVERTISSEMENT



Risque d'Incendie

Utiliser un conduit d'évacuation en métal lourd.

Ne pas utiliser un conduit d'évacuation en plastique.

Ne pas utiliser un conduit d'évacuation en feuille de métal.

Le non-respect de ces instructions peut causer un décès ou un incendie.

AVERTISSEMENT : Pour réduire le risque d'incendie, cette sécheuse DOIT ÊTRE ÉVACUÉE VERS L'EXTÉRIEUR.

Utiliser un conduit d'évacuation métallique robuste de 4 po (10,2 cm) et des brides de fixation. Les produits d'évacuation DURASAFE™ sont recommandés.

Les produits d'évacuation DURASAFE™ sont disponibles chez votre marchand ou en appelant Whirlpool, Pièces et accessoires. Pour plus d'information, voir la section "Assistance ou service" dans les "Instructions d'utilisation de la sécheuse".

- Le système d'évacuation de la sécheuse ne doit pas être connecté à une évacuation de gaz, une cheminée, un mur, un plafond ou un vide dans le bâtiment.
- Ne pas utiliser un clapet d'évacuation à fermeture magnétique.
- Ne pas installer le conduit flexible dans les cavités fermées des murs, plafonds ou planchers.
- Utiliser des brides de serrage pour sceller tous les joints. Le système d'évacuation ne doit pas être connecté ou fixé avec des vis ou autres dispositifs de serrage qui peuvent s'allonger à l'intérieur du conduit. Ne pas utiliser de ruban adhésif.

IMPORTANT : Respecter toutes les prescriptions des codes et règlements en vigueur.

Une mauvaise évacuation de l'air peut causer de l'humidité et une accumulation de charpie à l'intérieur de la maison qui peut causer :

- Dommages par l'humidité aux boiseries, meubles, peinture, papier-peint, tapis, etc.
- Problèmes de nettoyage dans la maison et problèmes de santé.

Utiliser un conduit métallique lourd. Ne pas utiliser un conduit de plastique ou en feuille métallique.

On recommande d'utiliser un conduit métallique rigide pour réduire les risques d'écrasement et de déformation.

Un conduit métallique souple doit être totalement déployé et soutenu lorsque la sécheuse est à sa position finale. Enlever tout excès de conduit souple pour éviter tout affaissement et déformation susceptible de réduire la capacité d'évacuation.

Terminer le conduit d'évacuation par un clapet de décharge qui empêchera les rongeurs et insectes d'entrer dans l'habitation.

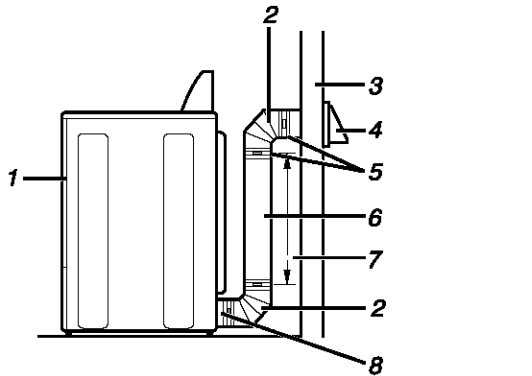
Le clapet de décharge doit être situé à au moins 12 po (30,5 cm) au-dessus du sol ou de tout autre objet susceptible de se trouver sur le trajet de l'air humide rejeté (par exemple, fleurs, roches ou arbustes, etc.).

Lors de l'utilisation d'un système de décharge existant, nettoyer et éliminer la charpie sur toute la longueur du système et veiller à ce que le clapet de décharge ne soit pas obstrué par une accumulation de charpie. Remplacer tout conduit de plastique ou de feuille métallique par un conduit métallique rigide ou souple.

Planification du système d'évacuation

Installations typiques d'évacuation

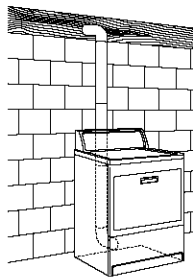
Les installations typiques consistent à acheminer le conduit d'évacuation à l'arrière de la sécheuse.



- 1. Sécheuse
- 2. Coude
- 3. Mur
- 4. Clapet de décharge
- 5. Brides

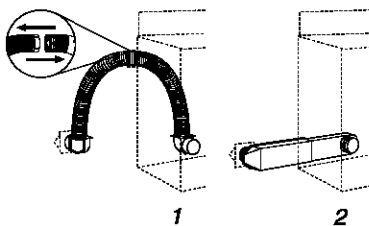
- 6. Conduit métallique rigide ou souple
- 7. Longueur de conduit nécessaire pour raccorder les coudes
- 8. Bouche de décharge

Installation standard du conduit d'évacuation à l'aide d'un conduit métallique rigide ou souple



Autres installations où le dégagement est réduit

Il existe de nombreux types de systèmes d'évacuation. Choisir le type qui convient le mieux à l'installation. Deux installations à dégagement réduit sont illustrées. Voir les instructions du fabricant.



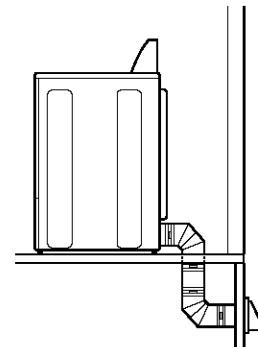
- 1. Installation au-dessus de la sécheuse (aussi disponible avec un coude décalé)
- 2. Installation de périscope

REMARQUE : On peut acheter les troupes suivantes pour les installations où le dégagement est réduit. Veuillez consulter la section "Assistance ou service" dans les "Instructions d'utilisation de la sécheuse".

- Installation au-dessus de la sécheuse :
Pièce numéro 4396028
- Installation de périscope (pour l'utilisation en cas de non-concordance de la bouche de décharge de la sécheuse avec le clapet) :
Pièce numéro 4396037 - 0 po (0 cm) à 18 po (45,72 cm) de décalage
Pièce numéro 4396011 - 18 po (45,72 cm) à 29 po (73,66 cm) de décalage
Pièce numéro 4396014 - 29 po (73,66 cm) à 50 po (127 cm) de décalage

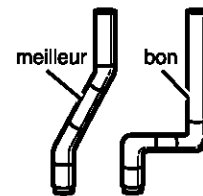
Dispositions spéciales pour les installations dans une maison mobile

Le système d'évacuation doit être solidement fixé à une section non combustible de la structure de la maison mobile et ne doit pas se terminer en dessous de la maison mobile. Faire en sorte que le système d'évacuation se termine à l'extérieur.



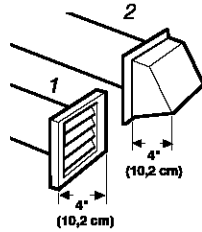
Détermination de la longueur du conduit

1. Choisir l'itinéraire d'acheminement vers l'extérieur qui sera le plus direct et le plus rectiligne. Planifier l'installation pour introduire le nombre minimal de coudes et changements de direction. Si des coudes sont utilisés pour les changements de direction, prévoir autant d'espace que possible. Plier le conduit graduellement pour éviter de le déformer. Éviter les changements de direction à 90°.



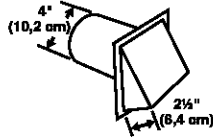
2. Détermination de la longueur du conduit.
La longueur maximale du circuit de décharge dépend de plusieurs facteurs :
 - Le type de conduit (métal rigide ou souple).
 - Le nombre de coudes incorporés au circuit.
 - Si une combinaison de conduits d'évacuation métalliques rigide et souple est utilisée.

Les styles de clapet recommandés sont illustrés ci-dessous.



1. Clapet à persiennes
2. Clapet de type boîte

Le clapet incliné (illustré ci-dessous) est acceptable.



La même longueur de conduit peut être utilisée avec chacun des trois clapets de décharge illustrés.

Si la longueur du système d'évacuation est supérieure à la valeur spécifiée dans le tableau, on observera :

- Une réduction de la longévité de la sècheuse.
- Une réduction du rendement, avec temps de séchage plus long et plus grande consommation d'énergie.

3. Déterminer le nombre de coudes nécessaires.

REMARQUE : Ne pas installer un conduit de longueur supérieure à la valeur spécifiée dans le tableau.

Lors de l'utilisation d'un type seulement de conduit d'évacuation métallique :

Le tableau suivant vous aide à déterminer la longueur maximale du conduit d'évacuation selon le nombre de changements de direction à 90° ou coudes dont vous aurez besoin et le type de conduit d'évacuation métallique (rigide et/ou souple) que vous utiliserez.

Tableau de longueur du conduit d'évacuation

Nombre de changements de direction à 90° ou coudes	Conduit métallique	
	rigide	souple
0	120 pi (36,6 m)	40 pi (12,2 m)
1	110 pi (33,5 m)	37 pi (11,3 m)
2	100 pi (30,5 m)	33 pi (10,1 m)
3	90 pi (27,4 m)	30 pi (9,1 m)
4	80 pi (24,4 m)	27 pi (8,2 m)
5	70 pi (21,3 m)	23 pi (7,0 m)

Lors de l'utilisation d'une combinaison de conduits d'évacuation métalliques rigide et souple :

Utilisez les tableaux suivants pour vous aider à déterminer la longueur maximale du conduit d'évacuation selon le nombre de changements de direction à 90° ou de coudes dont vous aurez besoin.

- Déterminez le nombre de coudes ou de changements de direction dont vous aurez besoin.

- Déterminez la longueur du conduit d'évacuation métallique souple totalement étendu que vous utiliserez. Repérez la colonne dont la taille (en nombre de pieds) est la plus proche de ce que vous utilisez.
- Associez le nombre de changements de direction ou de coudes à la longueur du conduit d'évacuation métallique souple totalement étendu pour obtenir la longueur maximale du conduit métallique rigide dont vous pouvez vous servir.

Tableau de longueur du conduit d'évacuation - 0 pi (0 m) à 10 pi (3,0 m)

Nombre de changements de direction ou coudes	Longueur du conduit d'évacuation métallique souple			Longueur du conduit d'évacuation métallique rigide
	0 pi (0 m)	1-5 pi (0,3-1,5 m)	6-10 pi (1,8-3,0 m)	
0	120 pi (36,6 m)	105 pi (32,0 m)	90 pi (27,4 m)	
1	110 pi (33,5 m)	95 pi (29,0 m)	80 pi (24,4 m)	
2	100 pi (30,5 m)	85 pi (25,9 m)	70 pi (21,3 m)	
3	90 pi (27,4 m)	75 pi (22,9 m)	60 pi (18,3 m)	
4	80 pi (24,4 m)	65 pi (19,8 m)	50 pi (15,2 m)	
5	70 pi (21,3 m)	55 pi (16,8 m)	40 pi (12,2 m)	

Tableau de longueur du conduit d'évacuation - 11 pi (3,4 m) à 25 pi (7,6 m)

Nombre de changements de direction ou coudes	Longueur du conduit d'évacuation métallique souple			Longueur du conduit d'évacuation métallique rigide
	11-15 pi (3,4-4,6 m)	16-20 pi (4,9-6,1 m)	21-25 pi (6,4-7,6 m)	
0	75 pi (22,9 m)	60 pi (18,3 m)	45 pi (13,7 m)	
1	65 pi (19,8 m)	50 pi (15,2 m)	35 pi (10,7 m)	
2	55 pi (16,8 m)	40 pi (12,2 m)	25 pi (7,6 m)	
3	45 pi (13,7 m)	30 pi (9,1 m)	15 pi (4,6 m)	
4	35 pi (10,7 m)	20 pi (6,1 m)	5 pi (1,5 m)	
5	25 pi (7,6 m)	10 pi (3,0 m)	0 pi (0 m)	

Installation du conduit d'évacuation

1. (Facultatif) Porter des gants et des lunettes de sécurité.
2. Installer le clapet d'évacuation. Calfeutrer au pistolet l'ouverture murale à l'extérieur autour du clapet d'évacuation.
3. Raccorder le conduit d'évacuation au clapet. Le conduit doit être inséré à l'intérieur du manchon du clapet. Fixer ensemble le conduit et le clapet avec une bride de 4 po (10,2 cm).
4. Acheminer le conduit d'évacuation jusqu'à l'emplacement de la sécheuse. Utiliser l'itinéraire le plus rectiligne possible. Voir "Détermination de la longueur du conduit". Éviter les changements de direction à 90°. Utiliser des brides pour sceller tous les joints. Ne pas utiliser de ruban adhésif pour conduit, des vis ou autres dispositifs de fixation qui se prolongent à l'intérieur du conduit pour fixer celui-ci.

Installation des pieds de nivellement

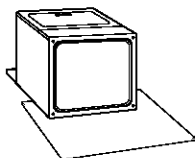
AVERTISSEMENT

Risque du poids excessif

Utiliser deux ou plus de personnes pour déplacer et installer la sécheuse.

Le non-respect de cette instruction peut causer une blessure au dos ou d'autre blessure.

1. Pour protéger le sol, utiliser un grand morceau de l'emballage en carton de la sécheuse. Placer le carton sous le bord arrière de la sécheuse. Voir l'illustration.
2. Saisir fermement la sécheuse par la caisse (ni par le dessus ni par le panneau de commande).



Placer soigneusement la sécheuse sur les cornières.

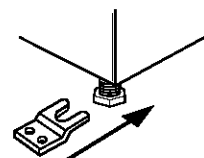
3. Examiner les pieds de nivellement. Trouver le symbole de repérage (losange).



4. Engager manuellement les vis des pieds dans les trous. Utiliser une clé à molette pour visser les pieds jusqu'à ce que le symbole de repérage (losange) ne soit plus visible.
5. Placer une cornière de carton sous chacun des 2 coins arrière de la sécheuse. Redresser la sécheuse. Faire glisser la sécheuse sur les cornières près de son emplacement définitif. Laisser suffisamment d'espace pour connecter le conduit d'évacuation.
6. Une fois la connexion faite et la sécheuse sur son emplacement final, enlever les cornières et le carton.

Pour utilisation dans une maison mobile

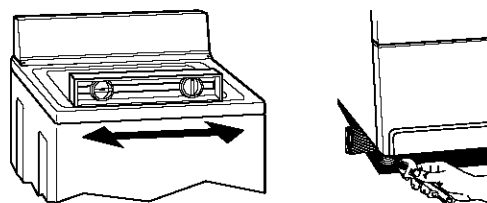
Les sécheuses à gaz doivent être fixées solidement au plancher.



Les installations dans une maison mobile nécessitent une trousse d'installation pour maison mobile. Voir les "Instructions d'utilisation de la sécheuse" pour les renseignements de commande.

Mise à niveau de la sécheuse

Contrôler l'aplomb de la sécheuse. Contrôler l'aplomb tout d'abord transversalement, puis dans le sens avant/arrière.



Si la sécheuse n'est pas de niveau, la déposer sur un bloc de bois. Utiliser une clé à molette pour ajuster les pieds vers le haut ou vers le bas, et vérifier à nouveau si elle est de niveau.

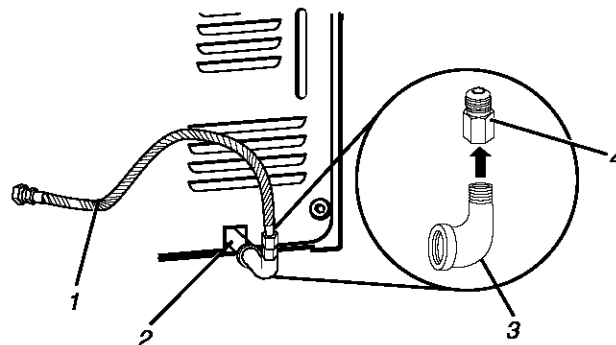
REMARQUE : Il peut être nécessaire de mettre à nouveau de niveau la sécheuse une fois qu'on l'installe à son emplacement définitif.

Raccordement au gaz

1. Retirer le capuchon rouge de la conduite de gaz. Mettre la sécheuse près de son emplacement définitif.
2. À l'aide d'une clé pour serrer, raccorder l'alimentation en gaz à la sécheuse. Utiliser un composé d'étanchéité des tuyauteries sur tous les filets mâles non évasés. Si on utilise un conduit métallique souple, veiller à ce qu'il ne soit pas déformé.

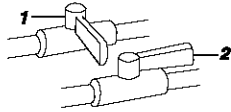
REMARQUE : Pour les raccordements au gaz de pétrole liquéfié, il faut utiliser un composé d'étanchéité des tuyauteries résistant à l'action du gaz de pétrole liquéfié. Ne pas utiliser de ruban TEFLON®.

On doit utiliser une combinaison de raccords de tuyauterie pour raccorder la sécheuse à l'alimentation en gaz existante. On voit ci-dessous une illustration d'un raccordement recommandé. Le raccordement peut varier, selon le type d'alimentation, la dimension et l'emplacement.



1. Connecteur souple de 3/8 po
2. Conduit de la sécheuse de 3/8 po
3. Coude de conduit de 3/8 po à 3/8 po
4. Adaptateur entre le conduit et le joint conique de 3/8 po

- Ouvrir le robinet d'arrêt du conduit d'alimentation. Le robinet est ouvert lorsque la poignée est parallèle au conduit d'alimentation en gaz.



1. Robinet fermé
2. Robinet ouvert

- Vérifier tous les raccordements en les badigeonnant d'une solution de détection des fuites non corrosive approuvée. L'apparition de bulles indique une fuite. Réparer toute fuite éventuelle.

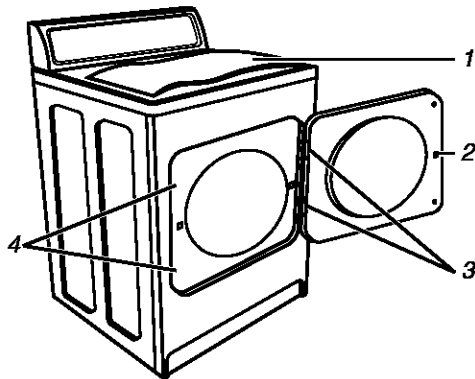
Conduit d'évacuation

- À l'aide d'une bride de fixation de 4 po (10,2 cm), relier le conduit d'évacuation à la bouche d'évacuation de la sècheuse. Si on utilise un système d'évacuation existant, s'assurer qu'il est propre. Le conduit d'évacuation de la sècheuse doit être fixé sur la bouche d'évacuation de la sècheuse et dans le clapet d'évacuation. S'assurer que le conduit d'évacuation est fixé au clapet d'évacuation à l'aide d'une bride de fixation de 4 po (10,2 cm).
- Placer la sècheuse à l'emplacement final désiré. Ne pas écraser ni déformer le conduit d'évacuation. Vérifier que la sècheuse est de niveau.
- (Sur les modèles à gaz) Vérifier que le tuyau de gaz flexible n'est pas déformé ou écrasé.

Inversion de l'ouverture de la porte (facultatif)

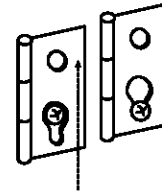
On peut changer l'ouverture de la porte du côté droit au côté gauche si désiré.

Grande porte réversible à pivotement latérale



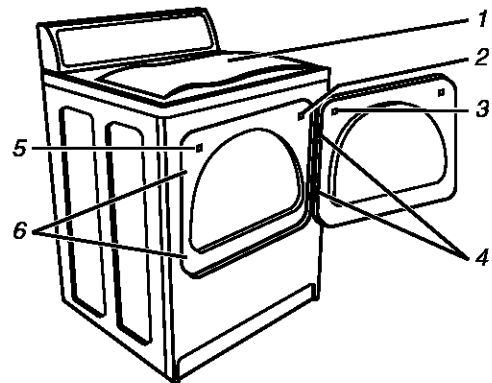
- Placer une serviette (1) sur la sècheuse pour protéger la surface.
- Ouvrir la porte de la sècheuse. Ôter les vis inférieures fixant les charnières (3) sur la caisse. Desserrer (sans les ôter) les vis supérieures fixant les charnières sur la caisse.
- Soulever la porte suffisamment pour que les vis supérieures de la caisse se trouvent dans la partie élargie des trous des charnières. Tirer la porte vers l'avant pour la dégager des vis. Placer la porte sur le dessus de la sècheuse. Ôter les vis supérieures de la caisse.
- Utiliser un petit tournevis à lame plate pour ôter soigneusement quatre bouchons d'obturation (4) du côté gauche de la caisse. Insérer les bouchons dans les trous de charnières du côté droit de la caisse.

- Insérer les vis dans les trous inférieurs du côté gauche de la caisse. Serrer les vis à moitié. Placer la porte de telle sorte que la partie élargie du trou de charnière se trouve au-dessus des vis. Glisser la porte vers le haut de sorte que les vis se trouvent au bas des fentes. Serrer les vis. Insérer les vis supérieures dans les charnières et les serrer.

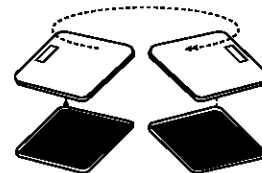


- Fermer la porte et vérifier que la gâche de la porte est alignée avec le loquet (2) de la porte. Au besoin, déplacer la gâche de la porte vers la gauche ou la droite dans son logement pour ajuster l'alignement.

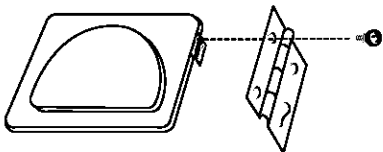
Porte réversible extra-large à pivotement latéral



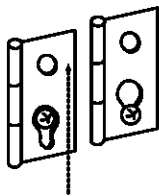
- Placer une serviette (1) sur la sècheuse pour protéger la surface.
- Ouvrir la porte de la sècheuse. Ôter les vis inférieures fixant les charnières (4) sur la caisse. Desserrer (sans les ôter) les vis supérieures fixant les charnières sur la caisse.
- Soulever la porte suffisamment pour que les vis supérieures de la caisse se trouvent dans la partie élargie des trous des charnières. Tirer la porte vers l'avant pour la dégager des vis. Placer la porte (poignée vers le haut) sur le dessus de la sècheuse. Ôter les vis supérieures de la caisse.
- Enlever les vis qui fixent les charnières sur la porte.
- Enlever les vis au sommet, en bas et sur le côté de la porte (4 vis). En tenant la porte au-dessus de la serviette sur la sècheuse, saisir les côtés de la section externe de la porte et soulever prudemment pour la séparer de la section interne de la porte. Ne PAS essayer de séparer les deux sections avec un couteau à mastic. Ne PAS tirer sur le joint de la porte ou sur les loquets de plastique de la porte.
- Veillez à maintenir la plaque de carton d'espacement centrée entre les deux sections de la porte. Réassembler la section externe et la section interne de la porte de telle manière que la poignée soit orientée du côté où les charnières viennent d'être enlevées.



7. Fixer les charnières sur la porte de telle manière que la partie élargie des trous de fixation soit orientée vers le bas.



8. Enlever la gâche de la porte (5) de la caisse. Utiliser un petit tournevis à lame plate pour ôter soigneusement 4 bouchons d'obturation (6) du côté gauche de la caisse. Insérer les bouchons dans les trous de charnières du côté droit de la caisse.
9. Insérer les vis dans les trous inférieurs du côté gauche de la caisse. Serrer les vis à moitié. Placer la porte de telle sorte que la partie élargie du trou de charnière se trouve au-dessus des vis. Glisser la porte vers le haut de telle sorte que les vis se trouvent au bas des fentes. Serrer les vis. Insérer les vis supérieures dans les charnières et les serrer.



10. Enlever le bouchon d'obturation de la gâche de la porte (2). Insérer dans le trou la gâche qui a été enlevée à l'étape 8; fixer la gâche avec la vis. Insérer le bouchon d'obturation dans le trou d'où la gâche avait été initialement extraite; fixer le bouchon avec la vis.
11. Fermer la porte; vérifier que la gâche de la porte est alignée avec le loquet (3). Au besoin, déplacer la gâche de la porte vers la gauche ou vers la droite dans son logement pour ajuster l'alignement.

Achever l'installation

1. Vérifier que toutes les pièces sont installées. S'il reste une pièce, passer en revue les différentes étapes pour découvrir laquelle aurait été oubliée.
2. S'assurer d'avoir tout l'outillage nécessaire.
3. Jeter tout le matériel d'emballage.
4. Vérifier l'emplacement définitif de la sècheuse. S'assurer que le conduit d'évacuation n'est pas écrasé ou déformé.
5. Vérifier que la sècheuse est de niveau (voir "Mise à niveau de la sècheuse").
6. Brancher la sècheuse sur une prise à 3 broches reliée à la terre. Brancher le courant.
7. Retirer la pellicule de protection bleue sur le panneau de commande et le ruban resté sur la sècheuse.
8. Lire les "Instructions d'utilisation de la sècheuse".
9. Essuyer soigneusement le tambour de la sècheuse avec un chiffon humide pour éliminer toute trace de poussière.
10. Régler la sècheuse sur un programme de séchage complet (pas le programme de séchage sans chaleur) de 20 minutes et mettre la sècheuse en marche.

Si la sècheuse ne démarre pas, vérifier ce qui suit :

- La sècheuse est branchée sur une prise à 3 broches reliée à la terre.
 - L'alimentation électrique est connectée.
 - Les fusibles sont intacts et serrés; ou le disjoncteur n'est pas déclenché.
 - La porte de la sècheuse est fermée.
11. Après 5 minutes de fonctionnement, ouvrir la porte de la sècheuse et voir s'il y a de la chaleur. Si vous ne sentez pas de chaleur, éteindre la sècheuse et vérifier si le robinet d'arrêt de la canalisation d'arrivée de gaz est ouvert.
- Si le robinet d'arrêt de la canalisation d'arrivée de gaz est fermé, l'ouvrir, puis refaire le test des 5 minutes tel qu'indiqué ci-dessus.
 - Si le robinet d'arrêt de la canalisation d'arrivée de gaz est ouvert, contacter un technicien qualifié.