

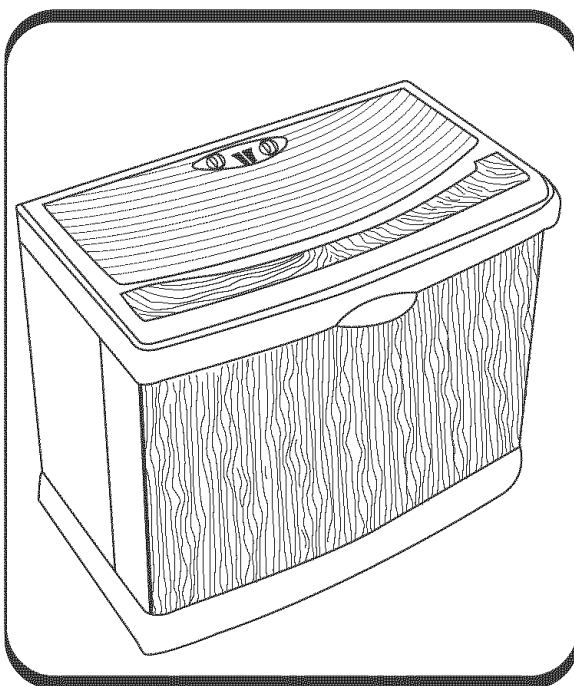
SAVE THIS MANUAL  
FOR FUTURE  
REFERENCE

**SEARS**

owner's  
manual

Stock No.  
**42-14417**

Model No.  
**758.144171**



**Kenmore**®

**QUIET COMFORT**

**WHOLE HOUSE  
HUMIDIFIER**

**14 Gallon Output**

**Innovative Twin Fan  
Technology**

- **Operating Instructions**
- **Parts List**

**FOR YOUR  
SAFETY:**  
READ  
ALL INSTRUCTIONS  
CAREFULLY

Sears, Roebuck and Co., Hoffman Estates, IL 60179 U.S.A.

## FULL ONE YEAR WARRANTY ON HUMIDIFIER

If within one (1) year from the date of purchase, this humidifier fails due to a defect in material or workmanship, Sears will repair it, free of charge. If within two (2) years from the date of purchase, the motor fails due to defect in material or workmanship, Sears will repair it free of charge.

This warranty service is available by simply returning the humidifier to the nearest Sears Store, and it will be repaired or replaced, at Sears option, free of charge.

This warranty applies only while this product is used in the United States.

This warranty gives you specific legal rights, and you may also have other rights which vary from state to state.

Sears, Roebuck and Co., D/817 WA, Hoffman Estates, IL 60179

## GENERAL SAFETY INSTRUCTIONS

### Safety Signal Words

**DANGER:** means if the safety information is not followed, someone **will** be seriously injured or killed.

**WARNING:** means if the safety information is not followed, someone **could** be seriously injured or killed.

**CAUTION:** means if the safety information is not followed, someone **may** be seriously injured or killed.

1. To reduce the risk of fire or shock hazard, plug humidifier directly into a 120V, A.C. electrical outlet. Do not use extension cords.
2. Keep the electric cord out of traffic areas. To reduce the risk of fire hazard, never put the electric cord under rugs, near heat registers, radiators, stoves or heaters.
3. Always unplug the humidifier before moving it, before cleaning, or whenever the humidifier is not in service.

4. Keep the humidifier clean.
5. Do not put foreign objects inside the humidifier.
6. Never use your humidifier while any part is missing or damaged in any manner.
7. To reduce the risk of electrical hazard or damage to humidifier, do not tilt, jolt or tip humidifier while unit is running.
8. To reduce the risk of damage to humidifier, unplug humidifier, when water bottles are empty or when the humidifier is not in use.
9. To reduce the risk of accidental electrical shock, do not touch the cord or controls with wet hands.
10. Note the warning label shown below.

**WARNING: To reduce risk of fire, electric shock, or injury always unplug before filling, servicing or cleaning.**

### Table of Contents

Warranty Information .....	2	Water Fill.....	5-6
General Safety Instructions .....	2	Operating Humidifier Controls .....	7
To Save A Service Call .....	2	Manual Dryout.....	7
Know Your Humidifier .....	3	Using Your Humidifier .....	8
Humidifier Operations .....	4	Operating Tips for Best Performance .....	8
Assembly .....	4	Replacement and Care of Filters.....	9-10
Location Instructions .....	4-5	Cleaning Your Humidifier .....	11-12
Electrical Hook-Up .....	5	Troubleshooting .....	13
		Repair Parts.....	14-15

### To Save a Service Call

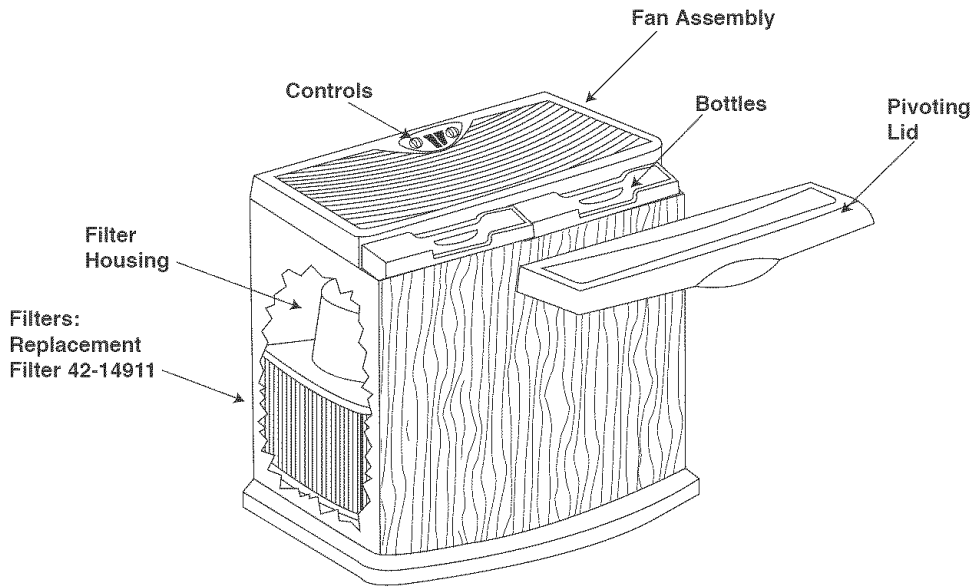
Check the following if your humidifier will not operate.

1. Is power cord attached to outlet?
2. Is there electrical power to outlet?

3. Is airflow control in operating position?
4. Is humidity control set high enough?
5. Is the cabinet sitting on a level surface?

# Know Your Humidifier

Pivoting Lid Removed for Clarity



Description	42-14417
* Gallon Output/24 Hrs.	14
Capacity of Bottles	2-3/8 Gallons Each
* Sq. Ft. Coverage	2900
Fan Speeds	3
Filters	Set of 4 (42-14911)
Independent Bottle Gauges	Yes
Fill Indicator	Yes (Independent Bottle)
Automatic Shutoff	Yes
Automatic Humidistat	Yes
Controls	Rotary
CUL Listed	Yes
Volts	120 A.C.
Hertz	60
Amps	2.88
Watts	165

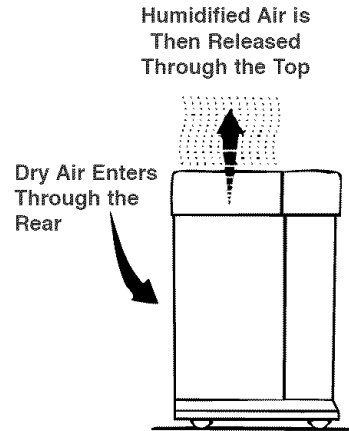
\* Based on an area with average insulation and an 8 foot ceiling height  
ANSI/AHAM HU-1-1997, SEC. 8.1

## Humidifier Operations

Your new Sears humidifier is designed to satisfy home humidity requirements through the principle of evaporation of water in the air.

After water is added to the bottle, the filters begin to soak up the water and become totally saturated in approximately 30 minutes. Air is drawn in from the rear of the humidifier and through the filters by means of circulation fans. As air passes through the filters, moisture is absorbed into the air and then released in the form of vapor. No water droplets will enter the home. All evaporation into the air takes place in the humidifier, which means that the residue left by evaporating water is not passed into the home, but remains in the filter.

**CAUTION:** Use only Sears 42-14900 EPA Registered Bacteriostat available from SEARS Retail store. Under no circumstances should you use water treatment products designed for Roto belt or Ultrasonic humidifiers.



**CAUTION:** To reduce the risk of injury, fire or damage to humidifier, use only cleaners specifically recommended for humidifiers. Never use flammable, combustible or poisonous materials to clean your humidifier. To reduce the risk of scalds and damage to humidifier, never put hot water in humidifier.

## Assembly

Your new Sears Kenmore humidifier is completely assembled for you to use. Remove the bag pack containing two plastic caster pads from top of humidifier and retain for future use if required. See step 1 below for instructions. Remove the packaging materi-

al from inside your humidifier and follow the instructions of this owner's manual for proper usage. The packaging material is located under the fan assembly. Remove the packaging material and discard.

## Location Instructions

**WARNING:** For your own safety, do not use humidifier if any parts are damaged or missing.

### Step 1

Place humidifier on a flat level surface in an area of your house where humidity is needed most, or an area which would likely result in moist air being circulated throughout the house, such as near a cold air return.

Placing the unit level is very important if the humidifier is located on carpeting.

**NOTE:** The 14 gallon humidifier contains water bottles. The weight of the bottles in

the front of the cabinet may cause the front casters to sink deeper into the carpet. If this happens, the water level will be higher towards the front of the humidifier, and lower towards the back. The water level float (located at the rear of the cabinet) may not sense the water so the fill light will be on and the unit will not energize. If this happens, the unit will need to be leveled in order for the humidifier to be energized. To level the humidifier when located on carpet place the included caster pads under the front two casters of the humidifier only. See diagram page 5.

## Location Instructions (continued)

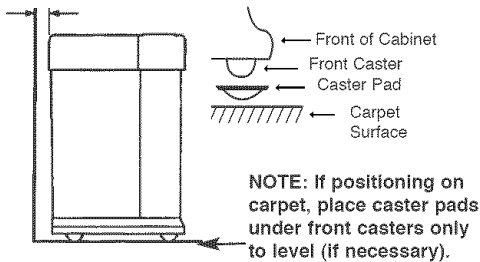
**NOTE:** Due to release of cool, moist air from humidifier, it is best to direct air away from home thermostat and hot air registers. It is best to position humidifier next to an inside wall. Hot air registers and cold air from outside walls can affect the efficiencies of the controls. Unit should not be placed where warm air from a hot air register blows directly on unit.

Moist air (humidity) produced will disperse into the whole house, but area closest to the unit will have the highest humidity. If the unit is positioned close to a window, condensation may form on the window pane. If this is not appropriate the unit should be repositioned in another location.

### Step 2

The humidifier should be positioned with the back (cord exit side), at least 2 inches away from the wall. Air needs to enter through the louvres in the rear panel in order for the humidifier to operate at peak efficiency.

#### At Least 2" From Wall



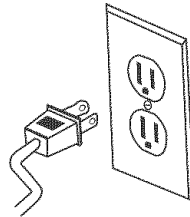
## Electrical Hook-Up

Locate nearest 120V A.C. wall socket in the location desired, preferably on inside wall. With the humidifier in the desired location, route the electrical cord safely so no one will trip or upset the humidifier. Plug in the electrical cord.

a polarized outlet only one way. If the plug does not fit fully in the outlet, reverse plug. If it still does not fit, contact a qualified electrician to install the proper outlet. Do not change the plug in any way.

**WARNING: To reduce the risk of fire or shock hazard, humidifier should be plugged directly into a 120V A.C. outlet. Do not use extension cords.**

To reduce the risk of electrical shock, this humidifier has a polarized plug (one blade is wider than the other). This plug will fit in



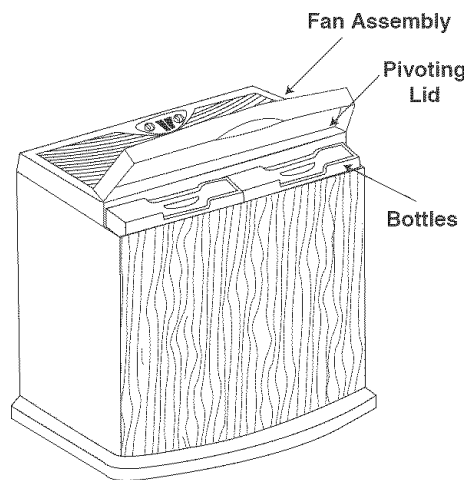
## Water Fill

**WARNING: To reduce the risk of shock, always unplug humidifier before cleaning or servicing.**

**WARNING: To reduce the risk of fire or shock hazard, do not pour or spill water into control or motor area. Close the control cover. If controls get wet, let them dry completely and have unit checked by an authorized service personnel before plugging in.**

This humidifier is designed for use with the two water bottles that are located under the pivoting lid.

Open the pivoting lid of the humidifier. Remove the water bottles by lifting them straight up and out of the cabinet.



## Water Fill (continued)

Notice the water bottles are designed as right and left hand units. Position them in the correct location so the humidifier can function properly. The water bottles should rest in the front of the cabinet. Each "E-Z-Fill Side-Cap" must be facing the rear of the unit.

Each water bottle is designed with an "E-Z-Fill Side-Cap" that is easily removable. Remove the "E-Z-Fill Side-Cap" on the side of the water bottle by twisting counterclockwise.

Place the opening of the water bottle under a water faucet (the bottle should fit under a four-inch clearance faucet). Fill with recommended mixture of cold water and Sears Bacteriostat #42-14900 (if necessary) only. Solid debris could make the valve leak.

Install the "E-Z-Fill Side-Cap" by twisting lockwise. Hand tighten only.

**Check for possible leaks by performing the following:**

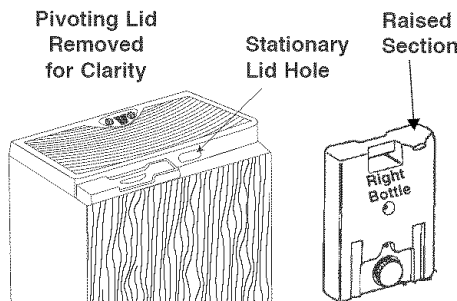
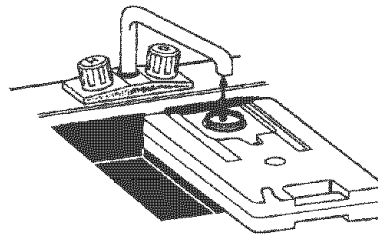
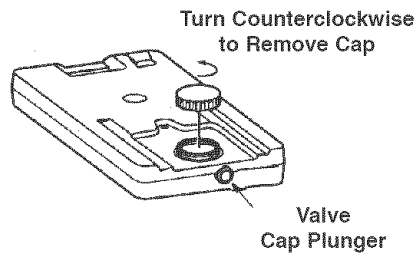
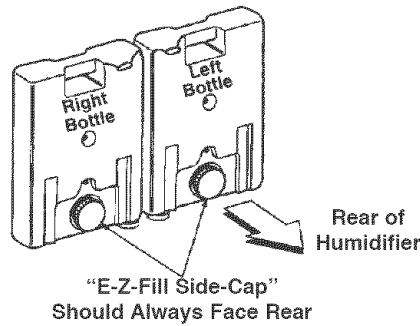
1. Grasp bottle handle and hold the bottle upright over a sink.
2. Press up on valve cap plunger for about one second to let out a little water.
3. Release the plunger.
4. Listen for air bubbles. Look for leaks around the "E-Z-Fill Side-Cap".
5. If you hear air bubbles or see leaks, retighten the "E-Z-Fill Side-Cap" and repeat steps 1-4.

Wipe off excess water from the bottle.

Position the water bottle back into the unit by grasping the water bottle handle and lower it into the cabinet until the bottle sits on pads at bottom of cabinet. The "E-Z-Fill Side-Cap" must be facing the rear of the cabinet. When positioned properly, the plunger will open and water will flow into the cabinet. The water level will automatically remain at approximately 1/2" until the bottles are empty.

Allow the filters to saturate for 30 minutes before operation.

**Note:** Ensure that the raised section of the water bottle falls into the hole in stationary lid in order for the bottle gauges to function properly.



## Operating Humidifier Controls

The operating controls of your Kenmore Quiet Comfort whole house humidifier are located on the top center of the humidifier. The controls are found under the smoked control cover, located between the air circulating fans.

Lift the control cover by placing your finger in the round cutout and lifting. The cover will stay open. Now you can clearly see the control area. Familiarize yourself with the controls and reference the diagram of the control area for the correct naming used in this manual.

### To Operate the Controls

#### Humidity Control:

Adjust the amount of humidity depending on your needs. The humidifier will turn on and off as required to maintain level of humidity selected. A medium setting is recommended, but there are times when low or high amount of humidity may be preferred. For constant operation of humidifier, rotate humidity knob all the way clockwise. This allows for the maximum amount of humidity to be evaporated into the air continuously.

**IMPORTANT: Water damage may result if condensation starts to form on windows or walls. Humidity Control setting should be lowered until condensation no longer forms.**

#### Speed Control

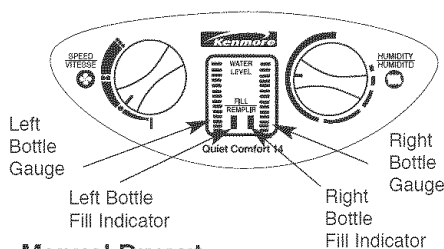
The unit is adjusted from off " | " to high " • • • " with a rotary speed control. The higher the air flow speed, the more water is evaporated and released into the air. Low speed " • " is the quietest and is provided for conditions that may not require as high an evaporation rate.

#### VISI-FILL Water Bottle Gauges and Fill Lights

This humidifier is equipped with independent (left and right) water level bottle gauges. When the unit is energized the center area of the control panel containing the gauges and fill indicators will illuminate red to depict the operation mode. The right bottle as viewed from the front of the humidifier will always empty first. As it empties the

number of red bars will decrease. When it is totally empty the Fill Indicator immediately beside the bars will illuminate. NOTE: The humidifier will not shut off at this stage.

Once the right bottle empties, the humidifier will begin to use the water from the left bottle until it is depleted. At this time the Fill Indicator beside it will illuminate. There will still be a slight delay in the unit shutting off while it depletes the water in the bottom of the cabinet. At this time or anytime during normal operation you may fill the water bottles to continue operation. **Note:** A small amount of water remains in cabinet after both Fill Indicators turn on and the unit shuts off.



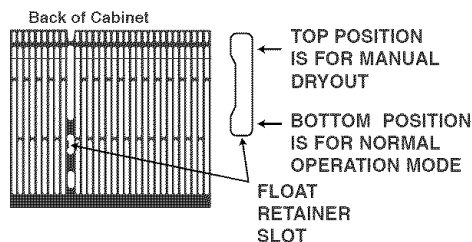
#### Manual Dryout

At the end of the humidification season or if you do not plan to run the humidifier for one week or more, you can override the automatic shutoff function to completely dry the humidifier cabinet out.

To do this, simply slide the float retainer located at the back of the humidifier cabinet to the top position of the slot it is located in. This will hold the float in an upward position and the fans will run until you turn the power off.

NOTE: Be sure to position float retainer to the normal operating mode (lowest position in slot) for humidifier operation.

Below is a diagram of the slot the float retainer is located in at the back of the cabinet.



## Using Your Humidifier


### Step 1

Be sure humidifier is full of water and plugged in.

### Step 2

Set Speed Control  to low speed "•".

### Step 3

Set Humidity Control "  " to medium position.

**NOTE:** Humidifier should operate with humidity control on the recommended medium setting. If it does not, the humidity is at a relatively high level. To test the unit under this condition, turn Humidity Control all the way to clockwise and unit should begin to operate. After the unit has been tested, set Humidity Control to medium or desired level.

Allow 24 hours for humidifier to adjust.

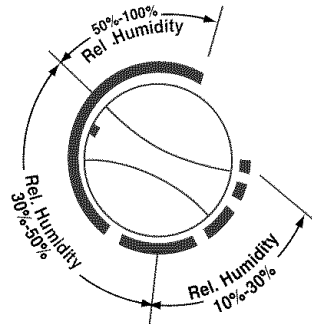
If humidity level in home is sufficient, the humidifier will only operate with Humidity Control turned all the way clockwise.

**IMPORTANT:** Water damage may result if condensation starts to form on windows or walls. Humidity Control setting should be lowered until condensation no longer forms.

### Step 4

If humidifier stops running and **BOTH** Fill indicators are not on, the humidity level is at the normal requirements for that setting or it is adjusting to the home conditions. The chart below shows recommended indoor humidity levels. The figure below shows approximate relative humidity percentages which correspond to the various settings of the Humidity Control.

When Outdoor Temperature is:	Recommended Indoor Relative Humidity is:
-10°F	20%
0°F	25%
10°F	30%
20°F & above	35%



Relative Humidity

## Operating Tips for Best Performance

1. Position the humidifier at least 2 inches from any wall and away from any heat registers.
2. Do not restrict airflow from entering or exiting the humidifier.
3. Use Sears recommended bacteriostat 42-14900 to retard bacteria growth that may cause odors and may be harmful to your health.
4. Perform regular cleaning as instructed in "Cleaning Your Humidifier" section of this manual.
5. Replace the evaporative wicking filters at least once per humidification season or more depending on water conditions in your area.



## Replacement and Care of Filters

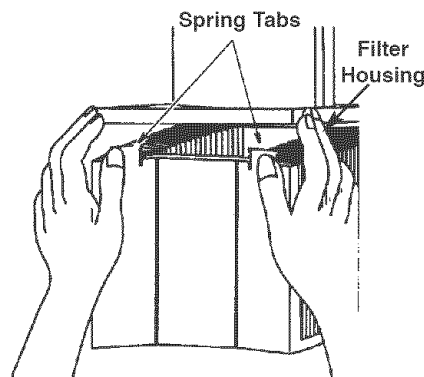
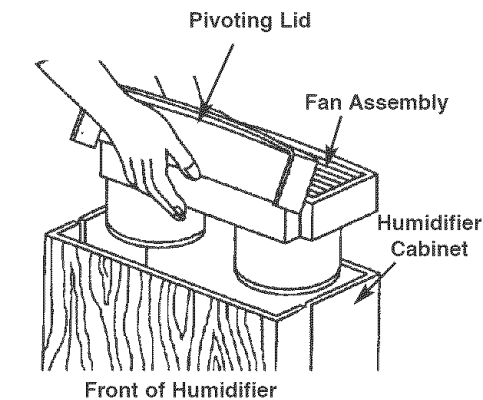
**WARNING:** To reduce the risk of shock or injury from moving parts, always unplug humidifier before removing or replacing any parts.

**CAUTION:** To help retard bacteria growth and keep maximum efficiency, the filters should be replaced at least once per season, or more often under hard water conditions. Use Sears recommended replacement filter 42-14911.

The filters may be rinsed periodically in clear water only. Take care not to damage paper. To replace evaporative wicking filters in your Kenmore Quiet Comfort Whole House humidifier, follow the instructions below.

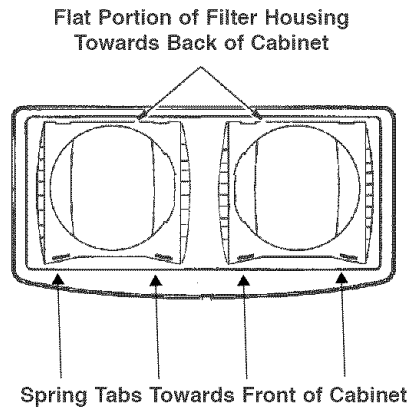
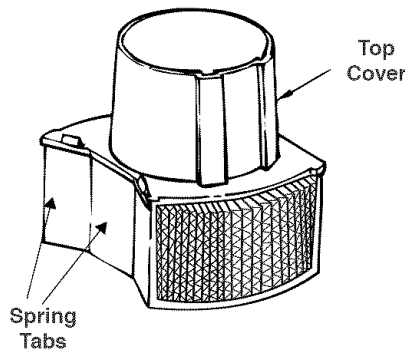
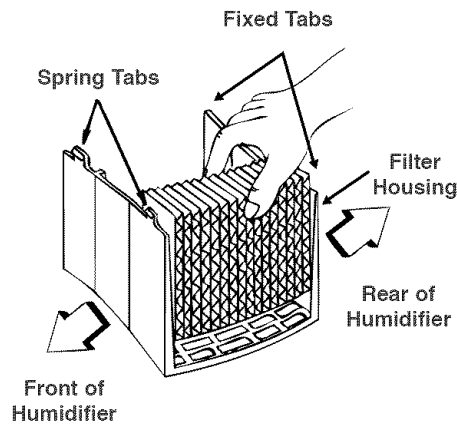
1. Unplug humidifier and proceed to clean.
 

Before removing the filters, we recommend moving the humidifier to an area where floor coverings are not susceptible to water damage, i.e. kitchen or bath areas.
2. Open the pivoting lid and remove water bottles and set aside. Grasp the fan assembly front center and rear center. Lift off and set aside on a clean flat surface. The filter housings are now accessible.
3. Lift filter housing out of cabinet and place where you may work on them comfortably. With a soft, absorbent cloth remove any remaining water or loose mineral deposits not trapped in the filter from the humidifier cabinet.
4. To open filter housing for easy access to filters:
  - a. Deflect the two spring tabs on top of filter housing. Lift top cover off of the filter housing and set aside.
  - b. Remove the two filters and dispose of properly. Clean internal parts of humidifier per the "Cleaning of Humidifier" section of your owner's manual.



## Replacement and Care of Filters (continued) \_\_\_\_\_

- c. Install new filters in the filter housing track with the glue beads of the wicking pad to the inside of the filter housing.
- d. Return the top cover of the filter housing by installing the cover over the fixed tabs on the rear of the lower filter housing and pivoting the cover down over the top of the filters. Snap the cover over the two spring tabs.
- e. Replace the filter housing in the cabinet. Note: There is a front and back orientation. To position the filter housings correctly:
  - Be sure that the spring tabs of filter housings are towards front of cabinet.
  - Align the lower portion of the filter assembly over the six ribs located at the bottom rear of the humidifier cabinet.
- f. Position fan assembly onto the cabinet. Make sure the fan venturi (lowest cylinder section below the fan) is placed inside the filter housing.
- g. Replace water bottles.
- h. Close the pivoting lid.
- i. The unit is ready for use or to be stored away for next season.



Step 4 e.

## Cleaning Your Humidifier

**WARNING:** To reduce the risk of injury, fire or damage to humidifier, use only cleaners specifically recommended for humidifiers. Never use flammable, combustible or poisonous materials to clean your humidifier. To reduce the risk of scalds and damage to humidifier, never put hot water in humidifier.

**CAUTION:** Local water purity varies from area to area and under certain conditions water impurities and airborne bacteria may promote the growth of microorganisms in the reservoir of the humidifier.

To retard bacteria growth that may cause odors and be harmful to your health, use only Sears replacement filters. We also recommend using EPA approved bacteriostat, 42-14900 and humidifier cleaner 42-14713, available at your local Sears store.

**NOTE:** If it is necessary to use approved bacteriostat, follow directions correctly.

The bottles of the whole house humidifier will hold 2-3/8 gallons of water each.

### Step 1

To make cleaning easier, the humidifier cabinet should be empty and completely dried out. To accomplish this, use the following method:

- On the back side of the humidifier cabinet, find the float retainer. In normal operating mode, the retainer will be positioned in the bottom of the slot in the cabinet. Push the retainer up to the top slot position in the cabinet until it locks in place. (See "Manual Dryout" section on page 7.)
- Allow the humidifier to run until there is no water left in the cabinet.
- Unplug humidifier.

**WARNING:** If humidifier is not unplugged, fan could start after housing is removed.

### Step 2

#### To Remove Parts

- Open the pivoting lid and remove water bottles and set aside. Grasp the fan assembly front center and rear center. Lift off and set aside on a clean flat surface. The filter housings are now accessible.
- Before removing the internal parts of the humidifier cabinet, we recommend moving the humidifier to an area where floor coverings are not susceptible to water damage, i.e., kitchen or bath area. Lift the filter housing assemblies out of the cabinet and set to the side.
- Remove the water level float from the humidifier cabinet by pinching the float retainer to release it from the cabinet. The cabinet should be empty before cleaning. The cabinet consists of the lower areas of the humidifier where the filters are during normal operation time.
- Empty cabinet of any remaining water.
- Proceed to "Bi-Weekly Maintenance" or "End of Season Maintenance."
- Remove old filters and dispose of properly as described on page 9 and 10.

### Step 3

Install new filters (purchase the correct evaporative wicking filter pads 42-14911 for your humidifier) into the location where the old filters were positioned. Install the filter housings with the new filters into the correct location. Reinstall the water level float. **NOTE:** Float retainer should be positioned in normal operating mode. Assure that it is positioned in the bottom of the slot in the back of the cabinet. (See page 7 for diagram of slot.) Position the fan assembly on top of the cabinet and return the humidifier to the desired location for use.

Refill humidifier bottles with fresh cool water and return them to the cabinet. Plug the unit into a 120 volt A.C. power outlet and set the controls per the "Operating Humidifier Controls" section of this manual.

## ***Cleaning of Humidifier (continued)*** \_\_\_\_\_

### **Bi-Weekly Maintenance**

#### **Removing Scale**

1. Fill the humidifier cabinet with one 8 oz. cup of undiluted white vinegar. Let solution stay 20 minutes.
2. Clean all interior surfaces with a soft brush. Dampen a soft cloth with undiluted white vinegar and wipe out the cabinet to remove scale.
3. Rinse thoroughly with clean warm water to remove scale and cleaning solution before disinfecting cabinet.
4. Dust the fan assembly and outside surfaces with a soft cloth only.

#### **Disinfecting Humidifier Cabinet and Water Bottles**

1. Fill humidifier cabinet with 1 teaspoon chlorine bleach in 1 gallon of water. Let solution stay for 20 minutes, swishing every few minutes. Wet all surfaces normally exposed to water.
2. Empty humidifier cabinet after 20 minutes. Rinse with water until bleach smell is gone. Allow unit to dry out completely.
3. Water bottles should be cleaned in the same manner.

### **End of Season Maintenance**

1. Follow "Bi-Weekly Maintenance" instructions at end of humidification season.
2. Remove and throw away filters.
3. Let humidifier dry completely before storing. Do not store with water inside cabinet or water bottles.
4. Store in cool, dry location.
5. Install new filters in clean humidifier before next season begins.
6. "Bi-Weekly" is also recommended if you do not plan to run the humidifier for one week or more.

## Troubleshooting

Trouble	Probable Cause	Remedy
Unit will not run and no control panel lights are illuminated.	<ul style="list-style-type: none"> <li>No Power.</li> </ul>	<ul style="list-style-type: none"> <li>Check 120 volt power source.</li> </ul>
Unit will not shut off.	<ul style="list-style-type: none"> <li>Float retainer is positioned in "Manual Dryout" position.</li> <li>Float is not free.</li> </ul>	<ul style="list-style-type: none"> <li>Slide float retainer down to normal operation mode. Refer to "Manual Dryout" section on page 7.</li> <li>Free float from obstruction.</li> </ul>
Unit will not dry out completely.	<ul style="list-style-type: none"> <li>Float is positioned in normal operation mode.</li> </ul>	<ul style="list-style-type: none"> <li>This is normal. A small amount of water remains in the cabinet after Fill Lights come on. Position float retainer in "Manual Dryout" position to completely dry out. See page 7.</li> </ul>
Bottles continue to empty.	<ul style="list-style-type: none"> <li>Air is entering water bottles.</li> </ul>	<ul style="list-style-type: none"> <li>Check "E-Z-Fill Side-Caps" and valve assembly caps to ensure tightness.</li> <li>Check for leak in water bottles.</li> <li>Ensure gaskets for "E-Z-Fill Side Caps" are in place.</li> </ul>
Neither bottle emptying.	<ul style="list-style-type: none"> <li>Bottle cap plunger missing post in bottom of cabinet</li> <li>Dirty filters</li> </ul>	<ul style="list-style-type: none"> <li>Check orientation of bottles. Reposition so that bottle cap plunger (stem) is depressed by post in bottom of cabinet.</li> <li>Change to fresh new filters. (42-14911)</li> </ul>
Left bottle not emptying.	<ul style="list-style-type: none"> <li>Right bottle contains water</li> </ul>	<ul style="list-style-type: none"> <li>The humidifier is designed so the right bottle empties first. Continue to run until both fill lights come on.</li> </ul>
Fill Indicators turn on before bottles are empty.  Note: There may be a little water still in bottle when Fill indicator is illuminated. This is normal.	<ul style="list-style-type: none"> <li>Unit is not set up on a level surface. (Float will not sense water at the rear of the cabinet.)</li> </ul>	<ul style="list-style-type: none"> <li>Position unit level. (Some carpet padding may allow unit to sit lower in front than rear with the additional weight of water bottles in the front of the cabinet. Install caster pads under front casters. (See page 4).</li> </ul>

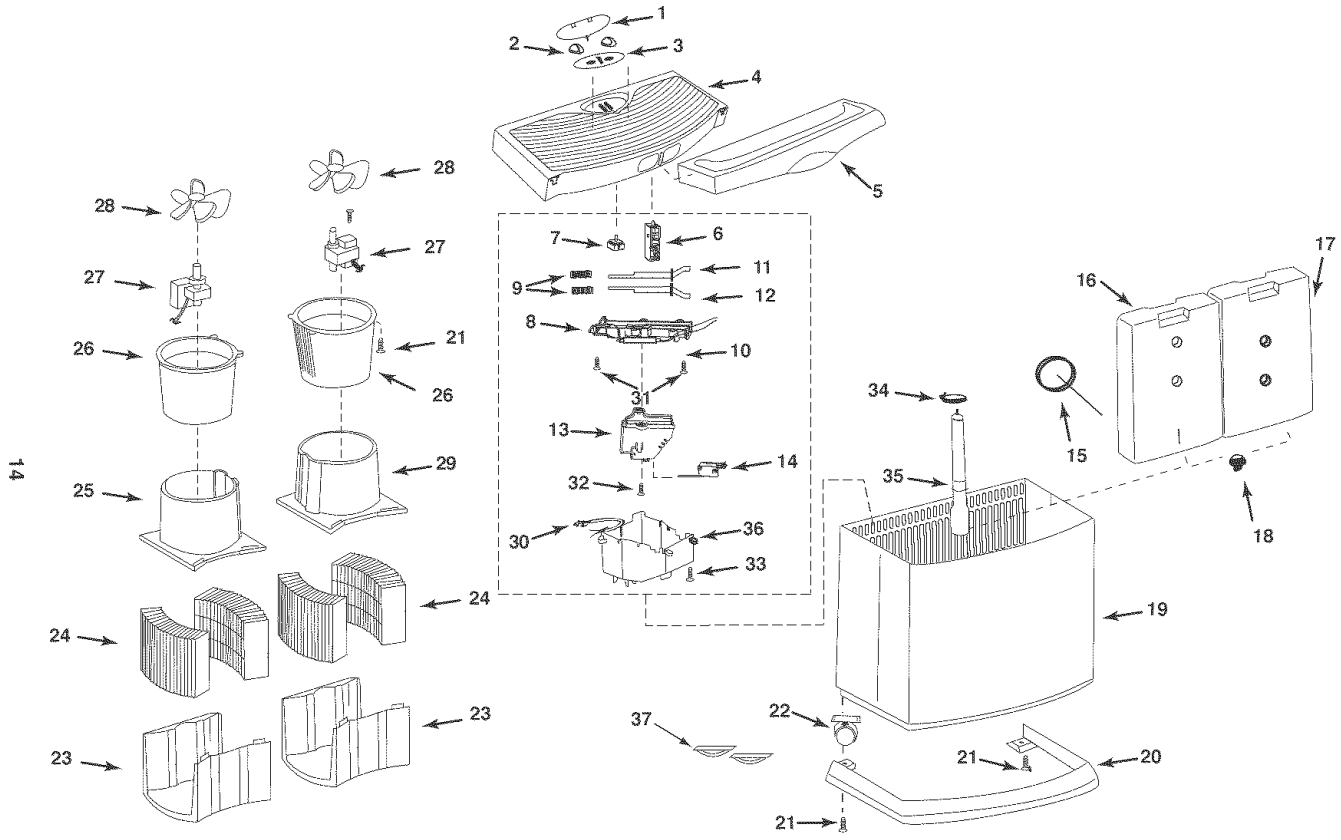
**CAUTION: Use only 42-14900 EPA Registered Bacteriostat available from Sears Retail store.**

**Use of other water treatment products may damage the filter elements.**

**Under no circumstances should you use water treatment products designed for Roto belt or Ultrasonic humidifiers.**

# Repair Parts

## Parts List for Sears Humidifiers Model No. 758.144171



# Repair Parts

**Parts List for Sears Humidifiers**  
**Model No. 758.144171**  
 Always order by part number - Not by key number

Key No.	Part No.	Description
1	828743	Cover, Dust
2	828756	Knob
3	830891	Label, Control
4	828741-1	Lid, Stationary
5	828855-1	Lid, Pivoting
6	822409	Humidistat
7	823912	Switch, Rotary
8	828753	Cover, Actuator Arm
9	828755	Spring, Compression
10	828750	Light, Pilot
11	828751	Arm, LH Actuator
12	828752	Arm, RH Actuator
13	828749	Retainer, Micro Switch
14	828854	Switch, Micro
15	824690	"Easy-Fill Side-Cap"
16	828192	Bottle, Left (Includes Key No's 15 & 18)
17	828726	Bottle, Right (Includes Key No's 15 & 18)
18	509229-1	Cap, Valve Assembly
19	828998	Cabinet

15

\* Standard Hardware Item - May be purchased locally.

Key No.	Part No.	Description
20	823726	Rail, Kick
21	STD601107	* Screw, Pan Hd. Ty "AB" #10 x 3/4
22	828515	Caster, Twin Wheel
23	830560-1	Support, Filter Lower
24	42-14911	† Filter, Evaporative
25	828197	Support, Upper Filter
26	828534	Support, Motor
27	828115-1	Motor (Includes mounting hardware)
28	822406-1	Fan
29	828197	Support, Upper Filter
30	828858	Cord w/Plug
31	816069-5	* Screw, Pan Hd. Ty "AB" #6 x 1/2
32	816069-6	* Screw, Pan Hd. Ty "AB" #6 x 3/4
33	STD600805	* Screw, Pan Hd. Ty "AB" #8 x 1/2
34	824101-1	Retainer, Float
35	828200	Float, Water Level
36	828745	Enclosure, Electronics
37	828920	Pad, Caster (Two)
-	SP6553	Owner's Manual (not illustrated)

† Stock Item - May Be Secured Through Sears Retail and Catalogue Stores.

**NOTE:** Any attempt to repair the assembly or motor may create a hazard unless repair is done by a qualified service technician. Repair service is available at your nearest Sears store.

## Notes ---



GUARDE ESTE  
MANUAL PARA  
CONSULTAS  
POSTERIORES

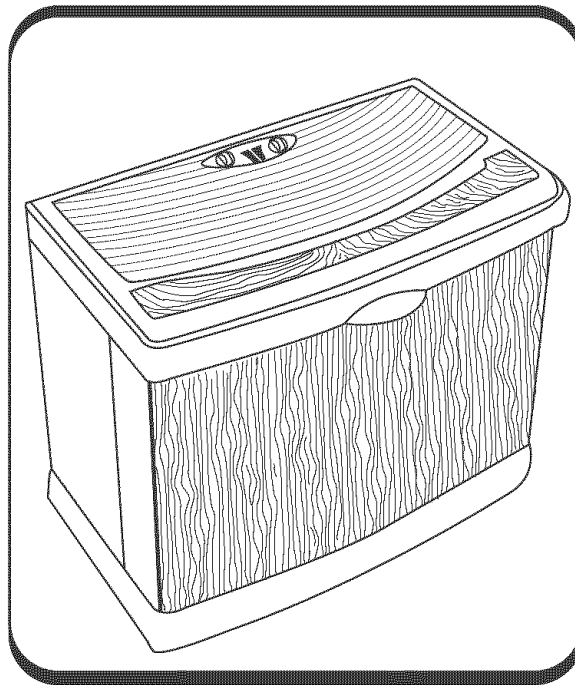
**SEARS**

**Manual del  
usuario**

No. de artículo  
**42-14417**

No. de modelo  
**758.144171**

**POR SU  
SEGURIDAD:**  
LEA LAS  
INSTRUCCIONES  
CON ATENCIÓN



**Kenmore**®

**QUIET COMFORT**

**HUMIDIFICADOR PARA  
TODA LA CASA**

Capacidad de 14 galones

Tecnología innovadora de  
Ventilación doble

- Instrucciones de manejo
- Lista de piezas

Sears, Roebuck and Co., Hoffman Estates, IL 60179 U.S.A.

No. de pieza SP6553

Impreso en Canadá

### GARANTÍA COMPLETA DE UN AÑO SOBRE EL HUMIDIFICADOR

Si en el plazo de un (1) año de la fecha de compra, este humidificador falla debido a un defecto de material o de mano de obra, Sears lo reparará, sin cargo alguno. Si en el plazo de (2) años de la fecha de compra, el motor falla debido a un defecto de material o de mano de obra, Sears lo reparará, sin cargo alguno.

Esta garantía de servicio está disponible simplemente devolviendo el humidificador a la tienda Sears más cercana, y será reparado o cambiado, a opción de Sears, sin cargo alguno.

Esta garantía es válida únicamente si el producto se usa en los Estados Unidos.

Esta garantía le ofrece derechos específicos, y es posible que usted también tenga otros derechos que varíen de un estado a otro.

Sears, Roebuck and Co., D/817 WA, Hoffman Estates, IL 60179

## MEDIDAS DE SEGURIDAD GENERALES

### Definición de términos de seguridad

**PELIGRO:** indica que alguien **sufrirá** lesiones graves o mortales si no se siguen las medidas de seguridad señaladas.

**ADVERTENCIA:** indica que alguien **podría sufrir** lesiones graves o mortales si no se siguen las medidas de seguridad señaladas.

**PRECAUCIÓN:** indica que **umentan las posibilidades** de que alguien sufra lesiones graves o mortales si no se siguen las medidas de seguridad señaladas.

1. Para reducir los riesgos de fuego o electrocución, conecte el humidificador directamente en una toma de 120 V, C. A. No use extensiones.
2. Mantenga el cable lejos de áreas transitadas. Para reducir los riesgos de incendio nunca ponga el cable abajo de alfombras, cerca de superficies calientes, radiadores o estufas.
3. Desconecte el humidificador antes de moverlo, limpiarlo, o cuando no esté en servicio.

4. Mantenga el humidificador limpio.
5. No introduzca objetos extraños.
6. No utilice el humidificador cuando falte o esté dañada cualquier pieza.
7. Para reducir los riesgos de electrocución o daños a la unidad, no la golpee, incline o sacuda cuando esté funcionando.
8. Para evitar daños en el humidificador desconéctelo cuando los tanques de agua estén vacíos o no lo esté utilizando.
9. Para reducir los riesgos de electrocución, no toque el cable o los controles con las manos húmedas.
10. Ponga atención a la advertencia siguiente.

**ADVERTENCIA:** Para reducir los riesgos de incendio, electrocución, o lesiones, desconecte el humidificador antes de limpiarlo, darle servicio o llenar los tanques de agua.

## Contenido

Garantía .....	18	Llenado de agua .....	22
Medidas de seguridad generales .....	18	Controles de funcionamiento .....	23
Antes de llamar al centro de servicio .....	18	Puesta en marcha.....	24
Conozca su humidificador .....	19	Consejos para optimizar el rendimiento ..	24
Funcionamiento .....	20	Reemplazo y cuidado de los filtros.....	25-26
Armado .....	20	Limpieza del humidificador .....	27-28
Colocación .....	21	Solución de problemas comunes .....	29
Conexión eléctrica .....	22	Piezas de repuesto.....	30-31

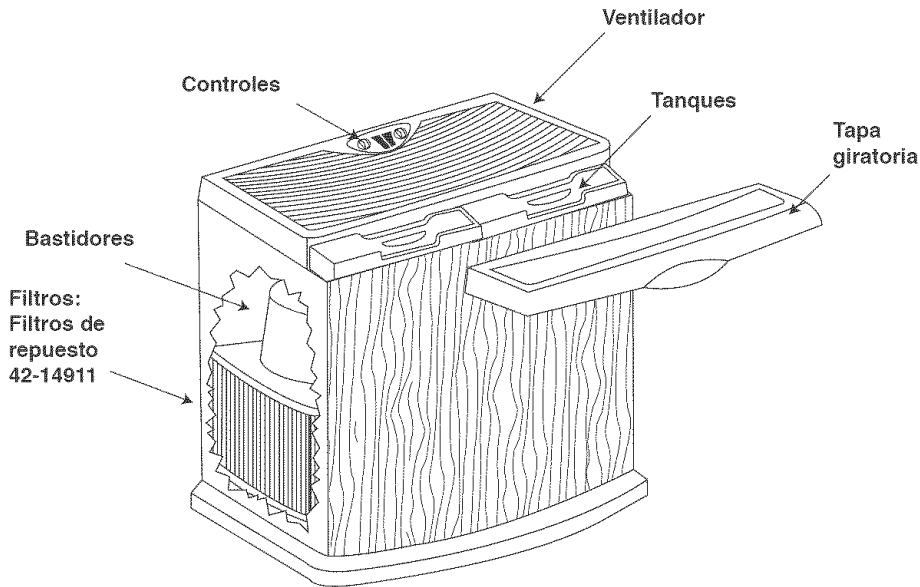
## Antes de llamar al centro de servicio

Verifique lo siguiente cuando no funcione su humidificador.

1. ¿Está conectado el cable?
2. ¿Hay corriente eléctrica en la toma?
3. ¿El control del aire está en posición de funcionamiento ?
4. ¿Es suficientemente alto el nivel de humedad?
5. ¿Colocó la unidad en una superficie plana?

## Conozca su humidificador

Se retiró la tapa giratoria para mayor claridad



Descripción	42-14417
* Consumo de galones/24 hrs	14
Capacidad de los tanques	2-3/8 Galones
* Cobertura en pies cuad.	2900
Velocidades de ventilación	3
Filtros	4 (42-14911)
Indicadores de tanques independientes	Si
Indicador de llenado	Sí (tanque independiente)
Apagado automático	Si
Humidistato automático	Si
Controles	Giratorio
Clasificado por CUL	Si
Voltios	120 A.C.
Hertzios	60
Ampere	2.88
Vatios	165

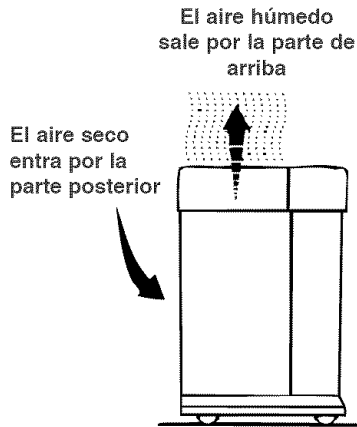
\* Ejemplo en un área con aislamiento normal y techo de 8 pies de alto ANSI/AHAM HU-1-1997, SEC. 8.1

## Funcionamiento

Su nuevo humidificador Sears fue diseñado para satisfacer las necesidades de humedad de su hogar a través del principio de evaporación de agua.

Una vez que pone agua en el tanque, los filtros empiezan a humedecerse y se saturan completamente aproximadamente en 30 minutos. El humidificador aspira aire por la parte posterior y circula a través de los filtros impulsado por ventiladores. Cuando el aire pasa a través de los filtros, se humedece con el agua y se libera en la atmósfera en forma de vapor. No enviará gotitas de agua, la evaporación se lleva a cabo en el humidificador, esto significa que los residuos que produce la evaporación de agua no pasan a su casa, se quedan en el filtro.

**ATENCIÓN:** Use únicamente bacteriostato 42-14900 de Sears aprobado por la EPA, disponible en las tiendas SEARS de su localidad. Bajo ninguna circunstancia utilice productos para tratamiento de agua especiales para humidificadores Roto belt o Ultrasonic.



**PRECAUCIÓN:** Para reducir los riesgos de lesiones, incendio o daños al humidificador, utilice únicamente limpiadores recomendados específicamente para humidificadores. No utilice materiales inflamables, combustibles o venenosos para limpiar el humidificador. Para evitar escaldar y dañar la unidad no ponga agua caliente en el humidificador.

## Armado

Su nuevo humidificador Kenmore de Sears se entrega completamente armado, listo para usarse. Retire la bolsa colocada arriba del humidificador que contiene dos piezas de apoyo para rodajes y guárdelos para usarlos más adelante en caso necesario. Proceda con

el paso 1 siguiente. Retire el material de empaque que está adentro del humidificador y siga las instrucciones de este manual para usar su unidad correctamente. El material de empaque se encuentra abajo del ventilador, retírelo y deséchelo.

## Colocación

**ADVERTENCIA:** Por su propia seguridad, no use el humidificador cuando haya piezas faltantes o dañadas.

### PASO 1

Coloque el humidificador en una superficie plana en el área de la casa que requiera más humedad, o donde pueda producirse más circulación de aire húmedo en toda la casa, por ejemplo, cercano a un retorno de aire frío. La fijación de los niveles de la unidad es muy importante cuando se coloca el humidificador sobre una alfombra.

**NOTA:** El humidificador de 14 galones está equipado con tanques de agua. El peso de los

tanques en la parte del frente de la caja puede hacer que los rodajes se hundan más en la alfombra y de esta manera el nivel de agua será más elevado en la parte del frente de la unidad y menor en la parte posterior. El flotador de nivel de agua (ubicado en la parte posterior) podría no detectar el agua, esto activa el indicador de llenado y la unidad no funciona. En este caso, debe nivelar la unidad para ponerla en marcha. Para nivelar el humidificador, instale las piezas de apoyo incluidas en el empaque abajo de los rodajes de la parte del frente de la unidad. Consulte el diagrama de la página 5.

## Colocación (cont.)

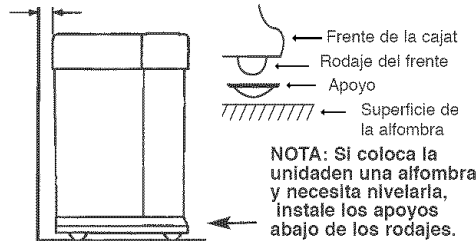
**NOTA:** El aire emitido por el humidificador es frío y húmedo, por lo tanto se recomienda orientarlo lejos de termostatos y registros de aire caliente. El mejor lugar es junto a una pared interna. Los registros de aire caliente y el aire frío de de las paredes externas puede afectar la eficiencia de los controles. No lo coloque en lugares en los que reciba directamente el aire de los registros de aire caliente.

El aire húmedo se dispersará por toda la casa, pero las áreas más cercanas al humidificador estarán más húmedas. Si se coloca cerca de una ventana puede producirse condensación en el cristal de la ventana, si no desea que esto ocurra, debe cambiar la unidad de lugar.

### Paso 2

La parte posterior de la unidad (por donde sale el cordón) debe retirarse por lo menos 2 pulgadas de la pared. A fin de lograr el funcionamiento óptimo de la unidad, es necesario permitir que el aire pase por las entradas de aire en el panel posterior de la caja.

Por lo menos 2" de la pared



## Conexión eléctrica

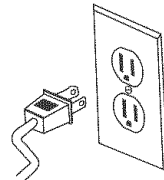
Localice la toma de 120V CA más cercana al lugar donde colocará su humidificador, de preferencia una pared interna. Una vez colocado en el lugar deseado, coloque el cable eléctrico de manera que nadie pueda tropezarse con él o volcar el humidificador. Conecte el cable.

reducir los riesgos de electrocución. Entra en una toma polarizada sólo en una posición.

Si no puede introducir el enchufe, invierta la posición de las patillas. Si no entra, pida a un electricista calificado que instale una toma correcta. Nunca cambie el enchufe.

**ADVERTENCIA:** Para reducir los riesgos de incendio o electrocución, el cable debe estar conectado a una toma de 120V CA. No use extensiones.

El enchufe del cable tiene una patilla polarizada más amplia que la otra para



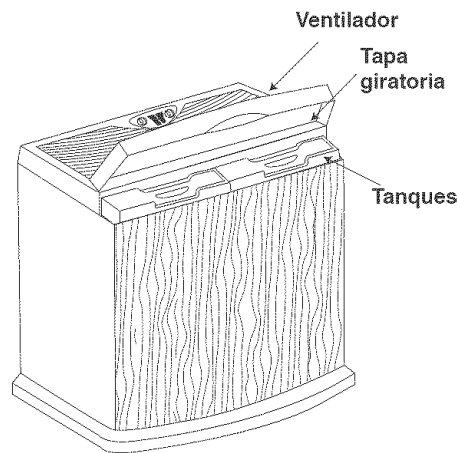
## Llenado de agua

**ADVERTENCIA:** Para reducir los riesgos de electrocución, siempre desconecte el cable antes de limpiar o dar servicio a la unidad.

**ADVERTENCIA:** Para reducir los riesgos de incendio o electrocución, evite que entre agua a los controles o al motor. Cierre la tapa de los controles. Si entra agua en los controles espere a que se sequen completamente y antes de conectarlo, pida al personal de servicio autorizado que lo verifique.

Este humidificador está diseñado para usar se con los dos tanques de agua colocados abajo de la tapa giratoria.

Abra la tapa giratoria de la unidad. Retire los tanques sacándolos de la caja en forma vertical hacia arriba.



## Llenado de agua (cont.)

Observe que los tanques de agua están diseñados como unidades a la derecha y a la izquierda. Colóquelos en el lugar correcto, o sea al frente de la unidad para que el humidificador funcione adecuadamente. Los "tapones de llenado lateral E-Z" deben quedar frente a la parte posterior de la unidad.

Cada uno de los tanques de agua incluye un "tapón de llenado lateral E-Z" que se retira girándolo hacia la izquierda.

Una vez abierta, coloque la abertura del tanque de agua abajo del grifo de agua (el tanque requiere únicamente un espacio de 4 pulgadas). Llene con la mezcla recomendada de agua fría y (en caso necesario) únicamente Bacteriostato #42-14900 de Sears. Los residuos sólidos pueden originar fugas por la válvula. Instale el "tapón de llenado lateral E-Z" girando hacia la derecha. Apriete con la mano únicamente.

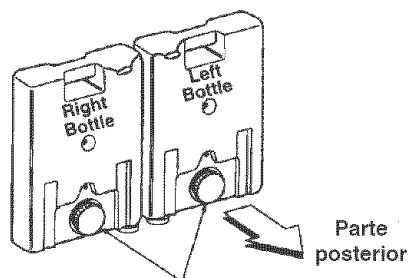
**Compruebe que no haya fugas de agua efectuando lo siguiente:**

1. Sujete el tanque por la agarradera y sosténgalo verticalmente sobre un fregadero.
2. Oprima el tapón de la válvula durante un segundo para dejar salir un poco de agua.
3. Libere el tapón.
4. Escuche si hay burbujas de aire. Vea si no hay fugas alrededor del "tapón de llenado lateral E-Z".
5. Si escucha burbujas de aire u observa fugas de agua, vuelva a apretar el "tapón de llenado lateral E-Z" y repita los pasos de 1 a 4.

Limpie el exceso de agua del tanque de agua. Vuelva a colocar el tanque de agua en la caja sosteniéndolo de la agarradera e introduciéndolo en forma vertical hasta que el tanque quede sobre los soportes en el fondo de la caja. El "tapón de llenado lateral E-Z" queda al frente de la parte posterior de la caja. En su posición correcta, el émbolo se abre y el agua entra a la caja. El nivel de agua permanece en forma automática en 1/2" aproximadamente hasta que se vacían los tanques. Ahora ya puede poner en marcha su humidificador.

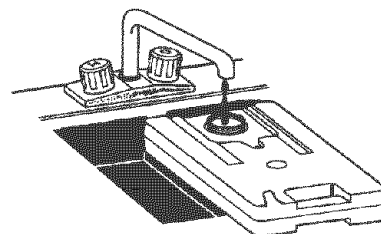
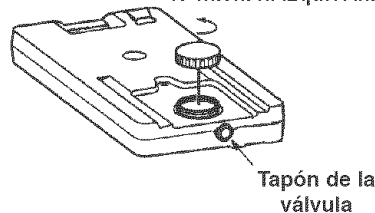
Deje que los filtros se saturen durante 30 minutos antes de poner la unidad en funcionamiento.

Nota: Asegúrese de que la sección realizada de los tanques quede en el orificio de la tapa fija, a fin de que los indicadores de los tanques funcionen correctamente.



El "Tapón de llenado lateral E-Z" deben quedar siempre hacia la parte posterior

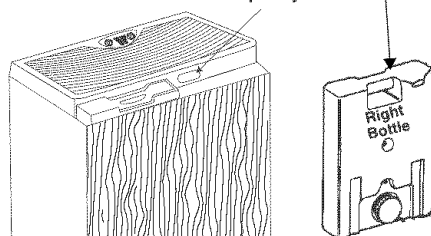
Para retirar el tapón gírelo hacia la izquierda



Se retiró la tapa giratoria para mayor claridad

Orificio en la tapa fija

Sección realizada



## Controles de funcionamiento

Los controles de funcionamiento de su Humidificador Kenmore Quiet Comfort para toda la casa, se encuentran arriba en el centro del humidificador, abajo de la tapa de los controles, entre los ventiladores de circulación de aire.

Para levantar la tapa de los controles, introduzca el dedo en la muesca circular y levante. La tapa se queda abierta y puede ver el área de los controles. Familiarícese con los controles y consulte el diagrama del área de controles para conocer los términos usados en este manual.

### Operación de los controles

#### Control de humedad:



Ajuste el nivel de humedad de acuerdo con sus necesidades. El humidificador se apagará y encenderá conforme se requiera para mantener el nivel de humedad seleccionado. Se recomienda el nivel medio, aunque algunas veces puede preferir un nivel menor o mayor de humedad. Si desea que el humidificador esté en operación constante, gire completamente el control hacia la derecha, esto permite la evaporación de la cantidad máxima de humedad en el ambiente en forma continua.

**IMPORTANTE:** Si se produce condensación en las paredes y ventanas el agua resultante puede producir daños. Ajuste el nivel del control de la humedad de manera que no forme condensación.

#### Control de velocidad



La unidad puede ajustarse desde apagado "I" hasta alto "high" "••••" con el control de velocidad giratorio. Conforme aumenta la velocidad del flujo de aire, el humidificador evapora y libera más agua en el ambiente. El nivel bajo "•" es el más silencioso y se usa para condiciones que no requieren una gran cantidad de evaporación.

#### Indicadores de nivel de agua de los tanques e Indicador de llenado

El humidificador tiene indicadores independientes (izquierda y derecha) del nivel de agua en los tanques. Al conectar la unidad, se enciende una luz roja en el centro del panel de los controles que indica que la unidad se encuentra en modo de operación. Primero se vacía el tanque ubicado a la derecha (viendo el humidificador por el frente). El número de barras rojas del indicador de llenado disminuirá conforme vaya disminuyendo el nivel de agua. Cuando el tanque se vacía completamente, de inmediato se enciende el indicador

de llenado correspondiente que se encuentra al lado de las barras. **NOTA:** La unidad no se apaga en esta etapa.

Cuando se acaba el agua del tanque de la derecha la unidad empieza a utilizar el agua del de la izquierda hasta que se agota y se enciende el otro indicador de llenado. La unidad se apaga después de una pequeña demora en la que consume el agua que se encuentra en el fondo de la caja. Los tanques pueden llenarse en cualquier momento durante la operación normal, para que la unidad siga funcionando en forma continua.

**Nota:** Queda un poco de agua en la caja una vez que los indicadores de llenado se encienden y la unidad se apaga.



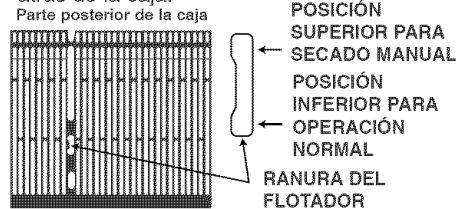
#### Secado manual

Al terminar la estación de humidificación o cuando no se va a utilizar el humidificador durante una semana o más, puede desactivar la función de apagado automático para secar completamente la caja del humidificador.

Para efectuarlo simplemente deslice el sujetador del flotador que se encuentra en la parte posterior de la caja del humidificador, hasta la posición más alta de la ranura en que se encuentra. El flotador queda sujeto en forma vertical y los ventiladores siguen funcionando hasta que desconecte la unidad.

**NOTA:** Asegúrese de colocar el sujetador del flotador en el modo de operación normal (posición más baja en la ranura) para que funcione el humidificador.

El siguiente diagrama muestra la ranura en la que se encuentra el sujetador del flotador atrás de la caja.



## Puesta en marcha


### Paso 1

Asegúrese de que haya agua en el tanque y que el cable esté conectado.

### Paso 2

Ajuste el control de velocidad  en "•".

### Paso 3

Ajuste el control de humedad  en nivel medio Medium (la mitad entre MIN y MÁX).

**NOTA:** El humidificador debe funcionar con el control de humedad en el ajuste medio recomendado. Si no funciona, significa que el nivel de humedad está relativamente alto. Para probar la unidad bajo estas condiciones, gire el control de humedad completamente a la derecha y la unidad empezará a funcionar. Una vez probada, ajuste el nivel de humedad deseado.

La unidad necesita 24 horas para ajustarse.

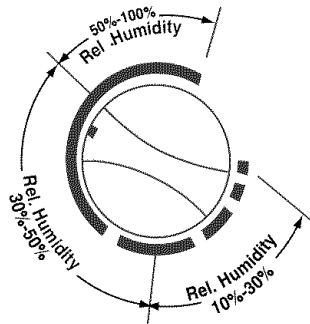
Si el nivel de humedad de la casa es suficiente, el humidificador funcionará únicamente cuando el control de humedad esté en el nivel máximo.

**IMPORTANTE:** Si se produce condensación en las paredes y ventanas el agua resultante puede producir daños. Ajuste el nivel del control de la humedad de manera que no forme condensación.

### Paso 4

Cuando el humidificador deja de funcionar y la unidad aún no está vacía, significa que el nivel de humedad es normal, según el nivel ajustado, o que se está ajustando a las condiciones de la casa. La siguiente tabla muestra los niveles de humedad recomendados para interiores y la figura muestra los porcentajes aproximados de humedad relativa correspondientes a los diferentes niveles del control de humedad.

Temperatura externa:	Humedad relativa interior recomendada:
-10°F	20%
0°F	25%
10°F	30%
20°F y más	35%



Humedad relativa

## Consejos para optimizar el rendimiento

1. Coloque el humidificador por lo menos a una distancia de 2 pulgadas de la pared y de registros de calor.
2. No bloquee la entrada o salida del flujo de aire del humidificador.
3. Use bacteriostato 42-14900 recomendado por Sears para retardar el desarrollo de bacterias que pueden producir olores y ser nocivos para su salud.
4. Limpie la unidad regularmente como se indica en la sección "Limpieza del humidificador" de este manual.
5. Reemplaze los filtros de mechas vaporizadores por lo menos una vez por estación de humidificación o más dependiendo de la calidad del agua en su área.



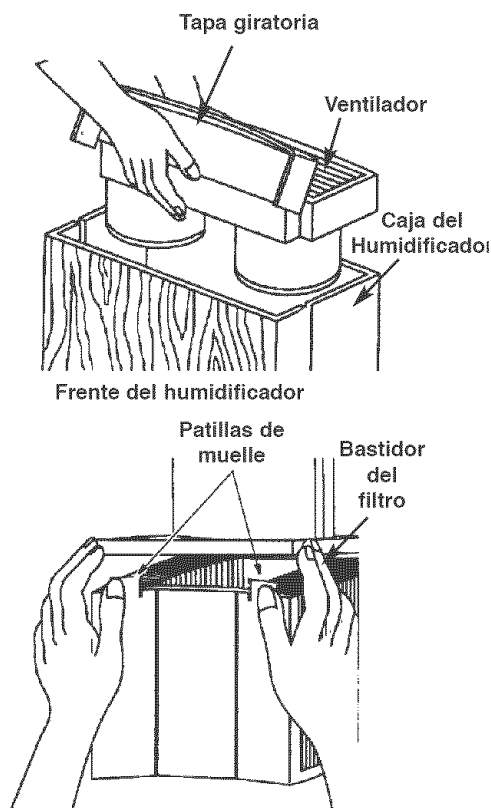
## Reemplazo y cuidado de los filtros

**ADVERTENCIA:** Para reducir los riesgos de sufrir lesiones o electrocución con piezas móviles, siempre desconecte el cable antes de retirar o reemplazar cualquier pieza.

**PRECAUCIÓN:** Para retardar el desarrollo de bacterias y mantener la máxima eficiencia, reemplace los filtros por lo menos una vez por estación o más cuando use agua calcárea. Utilice los filtros de repuesto recomendados por Sears 42-14911.

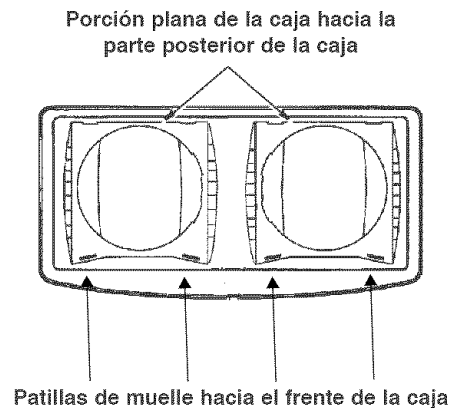
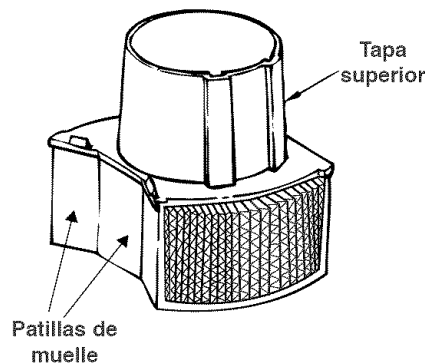
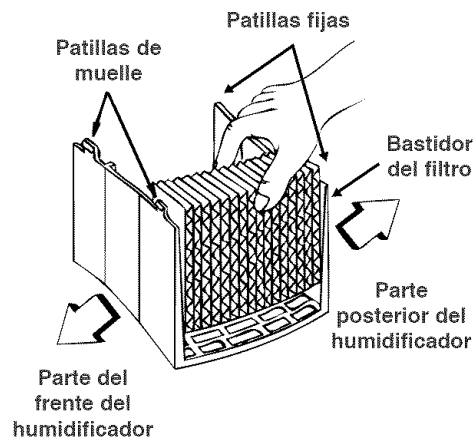
Enjuague los filtros periódicamente sólo con agua limpia. Evite dañar el papel. Para reemplazar los filtros de mechas vaporizadores de su Humidificador para toda la casa Kenmore Quiet Comfort, siga las instrucciones siguientes:

1. Desconecte el humidificador y proceda a limpiarlo. Antes de retirar los filtros, recomendamos colocar el humidificador en una superficie que no se dañe con el agua, por ejemplo la cocina o un baño.
2. Abra la tapa giratoria, retire los tanques de agua y póngalos a un lado. Sujete el ventilador por el frente y la parte posterior del centro, sáquelo jalando hacia arriba y póngalo a un lado en una superficie limpia. Ahora tiene al alcance los bastidores de los filtros.
3. Saque de la caja los bastidores de los filtros y colóquelos en un lugar en el que pueda trabajar con ellos cómodamente. Con un paño suave y absorbente retire los residuos de agua o depósitos de mineral que no hayan sido capturados por los filtros de la caja del humidificador.
4. Para abrir los bastidores de los filtros y tener fácil acceso a los filtros:
  - a. Oprima las dos patillas con muelle que se encuentran en la parte de arriba del bastidor. Levante la tapa del bastidor, quítela y póngala a un lado.
  - b. Retire los dos filtros y deséchelos como corresponda. Limpie las piezas internas de la unidad como se indica en la sección "Limpieza del humidificador" de este manual.



## Reemplazo y cuidado de los filtros (cont.)

- c. Instale los filtros nuevos en los canales de los bastidores con los rebordes engomados del filtro hacia el interior de los bastidores.
- d. Vuelva a colocar la tapa del bastidor del filtro colocando la tapa sobre las patillas fijas y girándola hacia abajo sobre la parte de arriba de los filtros. Enganche la tapa en las patillas de muelle.
- e. Vuelva a colocar los bastidores de los filtros en la caja. Nota: Uno de los bastidores es de la derecha y el otro de la izquierda, además tienen lados frontal y posterior. Para colocarlos correctamente:
  - Las patillas de muelle de los bastidores de los filtros deben estar hacia el frente de la caja.
  - Alinie la parte inferior del filtro sobre los seis empalmes situados en el fondo posterior de la caja del humidificador.
- f. Coloque el ventilador en la caja. Asegúrese de que el venturi del ventilador (sección más baja del cilindro, abajo del ventilador) quede adentro del bastidor del filtro.
- g. Vuelva a colocar los tanques de agua.
- h. Cierre la tapa giratoria.
- i. Ahora puede usar o guardar la unidad para la próxima estación.



Paso 4 e.

## Limpieza del humidificador

**PRECAUCIÓN:** Para reducir los riesgos de lesiones, incendio o daños al humidificador, utilice únicamente limpiadores recomendados específicamente para humidificadores. No utilice materiales inflamables, combustibles o venenosos para limpiar el humidificador. Para evitar escaldar y dañar la unidad no ponga agua caliente en el humidificador..

**PRECAUCIÓN:** La pureza del agua varía de un área a otra, y dependiendo de las circunstancias las impurezas del agua y las bacterias transportadas por el aire promueven el desarrollo de microorganismos en el tanque de agua del humidificador.

Para enlentecer el desarrollo de bacterias que pueden producir olores y ser nocivos para su salud, utilice únicamente los productos recomendados por Sears, es decir, filtros de respuesto, bacteriostato 42-14900 recomendado por la EPA y limpiador del humidificador 42-14713, disponibles en la tienda Sears de su localidad.

**NOTA:** Si necesita usar el bacteriostato siga las instrucciones correctamente.

Cada uno de los tanques del humidificador para toda la casa tiene una capacidad de 2-3/8 galones de agua

### Paso 1

La unidad se limpia más fácilmente cuando el tanque está completamente vacío y seco. Para lograr estas condiciones realice lo siguiente:

- El sujetador del flotador se encuentra en la parte posterior de la caja del humidificador. En el modo de operación normal, el sujetador se coloca en el fondo de la ranura de la caja. Empuje el sujetador en la ranura superior de la caja hasta que entre por completo en su lugar. Consulte la sección "Secado manual" de este manual.)
- Espere a que el humidificador deje de funcionar cuando se active el apagado automático.
- Desconecte el cable del humidificador.

**ADVERTENCIA:** Si no desconecta el cable, el ventilador puede ponerse en marcha después de retirar la caja.

### Paso 2

#### Para retirar las piezas

- Abra la tapa giratoria. Retire los tanques y póngalos a un lado. Retire el ventilador sujetándolo por la parte del frente y posterior del centro. Sáquelo y colóquelo en una superficie limpia y plana. Ahora tiene acceso a los bastidores de los filtros.
- Antes de retirar las piezas internas de la caja del humidificador, recomendamos colocarlo en una superficie que no se dañe con el agua, por ejemplo la cocina o un baño. Jále los bastidores de los filtros hacia arriba para sacarlos de la caja y póngalos a un lado.
- Retire el flotador de nivel de agua presionando el sujetador del flotador para liberarlo de la caja. Debe vaciar la caja antes de limpiarla. La caja se compone de las áreas inferiores del humidificador donde se encuentran los filtros durante el funcionamiento normal.
- Vacíe el remanente de agua de la caja.
- Efectúe la Limpieza de cada dos semanas o de Fin de estación.
- Retire los filtros y deséchelos adecuadamente como se describe en las páginas 25 y 26.

### Paso 3

Reemplace los filtros con filtros nuevos (utilice filtros de mechas vaporizadores 42-14911). Instale los bastidores de los filtros con los filtros nuevos en el lugar correcto. Reinstale el flotador de nivel de agua. **NOTA:** El sujetador del flotador debe colocarse en el modo de operación normal. Asegúrese de que quede en la posición inferior de la ranura de la parte posterior de la caja (consulte el diagrama de la ranura en la página 7). Coloque el ventilador arriba de la caja y vuelva a colocar el humidificador al sitio donde desea ponerlo en marcha. Vuelva a llenar los tanques con agua fresca y colóquelos en la caja. Conecte el cable de la unidad en una toma de 120 V C.A. y ajuste los controles como se indica en la sección "Controles de funcionamiento" de este manual.

## ***Limpieza del humidificador (cont.)***

---

### **Limpieza de cada dos semanas**

#### **Remoción de sarro**

1. Vierta 8 onzas de vinagre blanco sin diluir en la caja del humidificador. Deje la solución durante 20 minutos.
2. Limpie las superficies interiores con un cepillo suave. Humedezca un paño suave con vinagre blanco sin diluir y frote la caja para desprender el sarro.
3. Enjuague perfectamente con agua limpia y tibia para remover los residuos de sarro y la solución de limpiado antes de desinfectar la caja.
4. Sacuda el ventilador y las superficies externas con un paño suave.

#### **Desinfección de la caja del humidificador**

1. Vierta en la caja un galón de agua y una cucharadita de blanqueador de cloro. Deje la solución durante 20 minutos, removiendo cada 2 a 4 minutos. Humedezca todas las superficies expuestas normalmente al agua.
2. Vacíe la caja después de 20 minutos. Enjuague con agua hasta que desaparezca el olor a cloro. Espere a que la unidad se seque completamente.
3. Limpie los tanques de agua de la misma manera.

### **Limpieza de fin de estación**

1. Efectúe la limpieza de cada dos semanas al finalizar la estación de humidificación.
2. Retire los filtros y deséchelos.
3. Espere a que el humidificador se seque completamente antes de guardarlo. No lo guarde con contenido de agua.
4. Guárdelo en un lugar fresco y limpio.
5. Instale filtros nuevos en el humidificador limpio antes del inicio de la siguiente estación.
6. Se recomienda efectuar la limpieza de cada dos semanas cuando no planea utilizar su humidificador durante una semana o más.

## Solución de problemas comunes

Problema	Causa probable	Solución
La unidad no funciona y los indicadores luminosos del panel no están encendidos.	<ul style="list-style-type: none"> <li>No hay corriente.</li> </ul>	<ul style="list-style-type: none"> <li>Verifique la fuente de energía eléctrica de 120 V.</li> </ul>
La unidad no se apaga.	<ul style="list-style-type: none"> <li>El sujetador del flotador está en modo "Secado Manual".</li> <li>El flotador está obstruido.</li> </ul>	<ul style="list-style-type: none"> <li>Deslice el sujetador del flotador al modo de operación normal. Consulte la sección "Secado manual" en la página 23.</li> <li>Libere el flotador.</li> </ul>
La unidad no se seca por completo.	<ul style="list-style-type: none"> <li>El flotador se encuentra en modo de operación normal.</li> </ul>	<ul style="list-style-type: none"> <li>Es correcto. Queda un poco de agua en la caja después de que se enciende el indicador de llenado. Coloque el sujetador del flotador en la posición de "Secado manual" para secar la unidad completamente. Consulte la página 23.</li> </ul>
Los tanques siguen vaciándose.	<ul style="list-style-type: none"> <li>Entra aire a los tanques.</li> </ul>	<ul style="list-style-type: none"> <li>Verifique que estén apretados los "tapones de llenado lateral E-Z" y los tapones de la válvula.</li> <li>Vea si hay fugas en los tanques.</li> <li>Verifique que las juntas de los tapones de llenado lateral E-Z estén en su lugar.</li> </ul>
Ninguno de los tanques se vacía.	<ul style="list-style-type: none"> <li>El émbolo del tapón del tanque no se ajusta con la patilla del fondo de la caja.</li> <li>Filtros sucios</li> </ul>	<ul style="list-style-type: none"> <li>Verifique la orientación de los tanques. Vuelva a colocar de manera que la patilla del fondo de la caja oprima el émbolo del tapón del tanque.</li> <li>Ponga filtros nuevos (42-14911).</li> </ul>
No se vacía el tanque de la izquierda.	<ul style="list-style-type: none"> <li>El tanque de la derecha tiene agua.</li> </ul>	<ul style="list-style-type: none"> <li>El humidificador está diseñado para que el tanque de la derecha se vacíe primero. Deje que funcione hasta que se activen los dos indicadores de llenado.</li> </ul>
Los indicadores de llenado se activan antes de que los tanques estén vacíos.  Nota: Puede quedar un poco de agua en el tanque cuando se activa el indicador de llenado. Es normal.	<ul style="list-style-type: none"> <li>La unidad no está colocada en una superficie plana. (El flotador no detecta el agua que está en la parte posterior de la caja).</li> </ul>	<ul style="list-style-type: none"> <li>Nivele la unidad. (Algunas alfombras hacen que la unidad quede más baja en la parte del frente debido al peso del agua de los tanques. Instale soportes abajo de los rodajes del frente. (Consulte la página 20).</li> </ul>

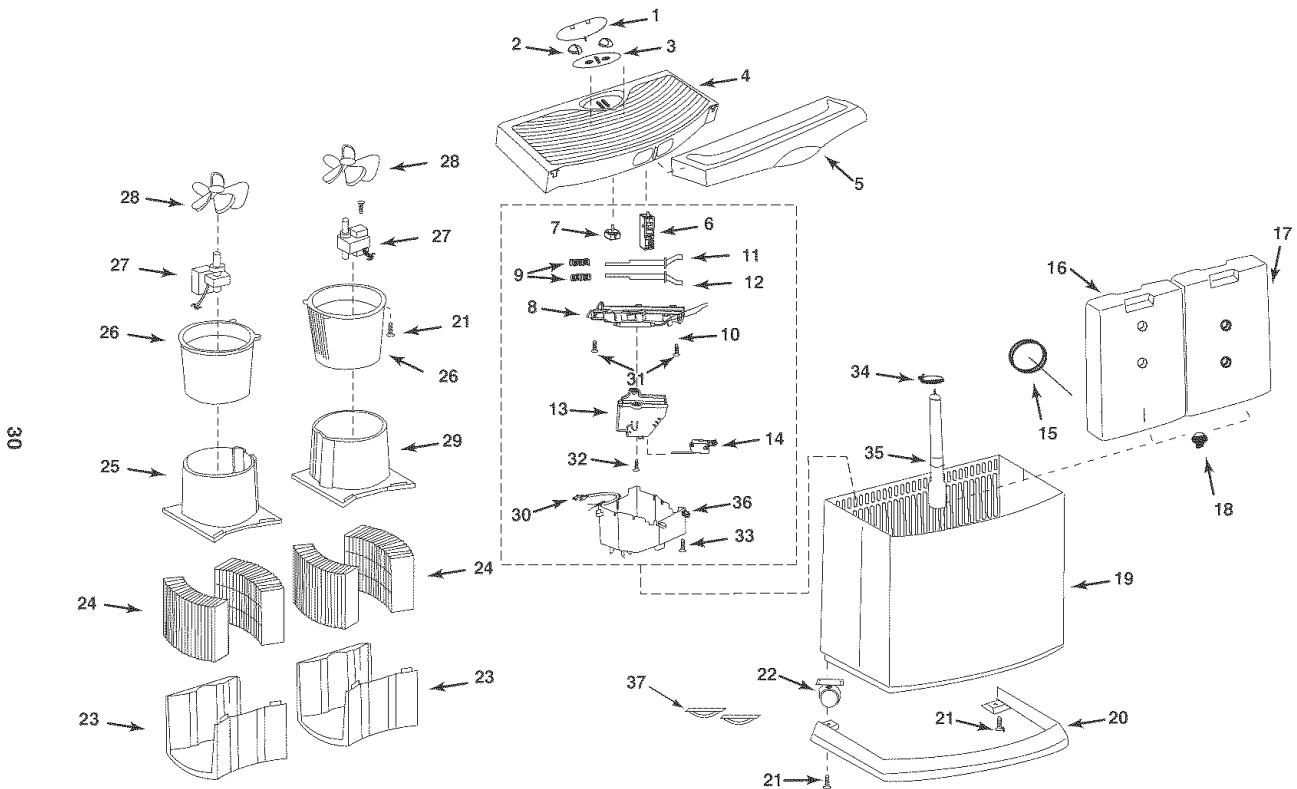
**PRECAUCIÓN:** Use únicamente bacteriostato 42-14900 aprobado por la EPA disponible en las tiendas Sears.

El uso de otros productos para el tratamiento de agua pueden dañar la unidad.

Bajo ninguna circunstancia use productos para tratamiento de agua diseñados para los humidificadores Roto belt o Ultrasonic.

# Piezas de repuesto

Piezas de repuesto para humidificadores Sears  
No. de modelo 758.144171



# Piezas de repuesto

## Piezas de repuesto para humidificadores Sears

No. de modelo. 758.144171

Haga su pedido por número de pieza - No use el número de referencia

No. Ref.	No. de Pieza.	Descripción	No. Ref.	No. de Pieza.	Descripción
1	828743	Tapa, polvo	19	828199-9	Caja
2	828756	Perilla	20	823726	Base
3	830891	Etiqueta, Control	21	STD601107	* Tornillo, Allen Ty "AB" #10 x 3/4
4	828741-1	Tapa, Fija	22	828515	Rodaje, rueda doble
5	828855-1	Tapa, giratoria	23	830560-1	Soporte, Inferior filtro
6	822409	Humidistato	24	42-14911	† Filtro, vaporizador
7	823912	Interruptor, Giratorio	25	828197	Soporte, Filtro superior
8	828753	Tapa, Brazo accionamiento	26	828534	Soporte, Motor
9	828755	Muelle, Compresión	27	828115-1	Motor (Incluye material de montaje)
10	828750	Luz, piloto	28	822406-1	Ventilador
11	828751	Brazo, accionamiento izquierda	29	828197	Soporte, Filtro superior
12	828752	Brazo, accionamiento derecha	30	828858	Cable con enchufe
13	828749	Sujetador, Micro Interruptor	31	816069-5	Tornillo, Allen Ty "AB" #6 x 1/2
14	828854	Interruptor, Micro	32	816069-6	* Tornillo, Allen Ty "AB" #6 x 3/4
15	824690	"Tapa lateral de llenado fácil"	33	STD600805	* Tornillo, Allen Ty "AB" #8 x 1/2
16	828192	Tanque, izquierda (Incluye art. 15 y 18)	34	824101-1	Sujetador, Flotador
17	828726	Tanque, Derecha (Incluye art. 15 y 18)	35	828200	Flotador, nivel de agua
18	828998	Tapón, válvula	36	828745	Caja, electrónicos
			37	828920	Soporte, rodaje (dos)
			-	SP6553	Manual del usuario (no se ilustra)

\* Las piezas estándar pueden comprarse localmente.

† Artículo en almacén - Debe informarse a través de las tiendas al por menor y por catálogo de Sears.

**NOTA:** Cualquier intento de reparar este conjunto del control o el motor puede representar un peligro a menos que la reparación la efectúe un técnico de servicio calificado. La tienda Sears más cercana proporciona el servicio de reparación.

# Get it fixed, at your home or ours!

## Your Home

For repair—in **your home**—of **all** major brand appliances, lawn and garden equipment, or heating and cooling systems, **no matter who made it, no matter who sold it!**

For the replacement parts, accessories and owner's manuals that you need to do-it-yourself.

For Sears professional installation of home appliances and items like garage door openers and water heaters.

**1-800-4-MY-HOME® (1-800-469-4663)**

Call anytime, day or night (U.S.A. and Canada)

[www.sears.com](http://www.sears.com)    [www.sears.ca](http://www.sears.ca)

## Our Home

For repair of carry-in items like vacuums, lawn equipment, and electronics, call or go on-line for the location of your nearest

**Sears Parts & Repair Center.**

**1-800-488-1222**

Call anytime, day or night (U.S.A. only)

[www.sears.com](http://www.sears.com)

To purchase a protection agreement (U.S.A.) or maintenance agreement (Canada) on a product serviced by Sears:

**1-800-827-6655** (U.S.A.)

**1-800-361-6665** (Canada)

Para pedir servicio de reparación a domicilio, y para ordenar piezas:

**1-888-SU-HOGAR<sup>SM</sup>**  
(1-888-784-6427)

Au Canada pour service en français:

**1-800-LE-FOYER<sup>MC</sup>**  
(1-800-533-6937)  
[www.sears.ca](http://www.sears.ca)



® Registered Trademark / <sup>TM</sup> Trademark / <sup>SM</sup> Service Mark of Sears, Roebuck and Co.  
® Marca Registrada / <sup>TM</sup> Marca de Fábrica / <sup>SM</sup> Marca de Servicio de Sears, Roebuck and Co.  
<sup>MC</sup> Marque de commerce / <sup>MD</sup> Marque déposée de Sears, Roebuck and Co.

© Sears, Roebuck and Co.