

READ AND
SAVE THESE
INSTRUCTIONS

SEARS

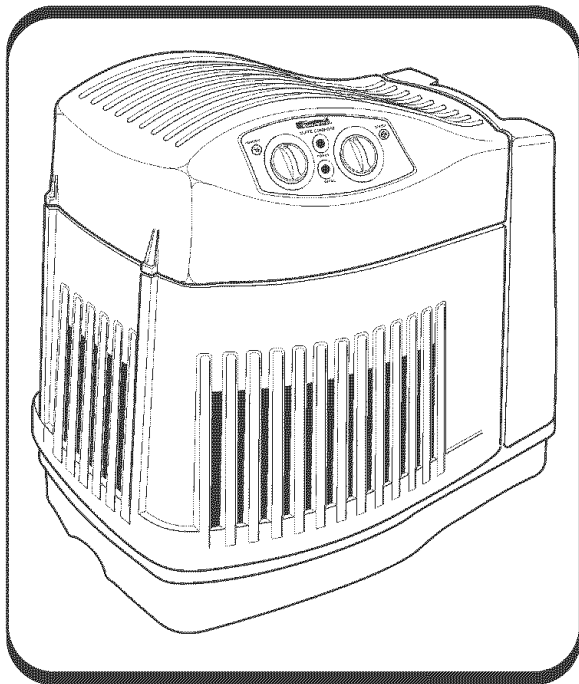
owner's
manual

Stock No.
42-14410

Model No.
758.144105

**FOR YOUR
SAFETY:**

READ
ALL INSTRUCTIONS
CAREFULLY



Kenmore[®]

QUIET COMFORT

**CONTEMPORARY
WHOLE HOUSE
HUMIDIFIER**

10 Gallon Output

- Operating Instructions
- Parts List

Sears, Roebuck and Co., Hoffman Estates, IL 60179 U.S.A.

FULL ONE YEAR WARRANTY ON HUMIDIFIER

If within one (1) year from the date of purchase, this humidifier fails due to a defect in material or workmanship, Sears will repair it, free of charge. If within two (2) years from the date of purchase, the motor fails due to defect in material or workmanship, Sears will repair it free of charge.

This warranty service is available by simply returning the humidifier to the nearest Sears Service Center/Department throughout the United States.

This warranty applies only while this product is used in the United States.

This warranty gives you specific legal rights, and you may also have other rights which vary from state to state.

Sears, Roebuck and Co., D/817 WA, Hoffman Estates, IL 60179

GENERAL SAFETY INSTRUCTIONS

Safety Signal Words

DANGER: means if the safety information is not followed, someone will be seriously injured or killed.

WARNING: means if the safety information is not followed, someone could be seriously injured or killed.

CAUTION: means if the safety information is not followed, someone may be seriously injured or killed.

1. To reduce the risk of fire or shock hazard, plug humidifier directly into a 120V, A.C. electrical outlet. Do not use extension cords.
2. Keep the electric cord out of traffic areas. To reduce the risk of fire hazard, never put the electric cord under rugs, near heat registers, radiators, stoves or heaters.
3. Always unplug the humidifier before moving it, before cleaning, or whenever the humidifier is not in service.
4. Keep the humidifier clean.

5. Do not put foreign objects inside the humidifier.
6. Do not allow to be used as a toy. Close attention is necessary when used by or near children.
7. Never use your humidifier while any part is missing or damaged in any manner.
8. To reduce the risk of electrical hazard or damage to humidifier, do not tilt, jolt or tip humidifier while unit is running.
9. To reduce the risk of damage to humidifier, unplug humidifier, when the base is empty or when the humidifier is not in use.
10. To reduce the risk of accidental electrical shock, do not touch the cord or controls with wet hands.
11. Note the warning label shown below.

WARNING: To reduce risk of fire, electric shock, or injury always unplug before filling, servicing or cleaning.

Table of Contents

Warranty Information	2
General Safety Instructions	2
To Save A Service Call	2
Know Your Humidifier	3
Humidifier Operations	4
Assembly	4
Location Instructions	5
Electrical Hook-Up	5

Water Fill	6-7
Operating Humidifier Controls	7
Using Your Humidifier	8
Operating Tips for Best Performance	8
Replacement and Care of Filters	9-10
Cleaning Your Humidifier	11-12
Troubleshooting	13
Repair Parts	14-15

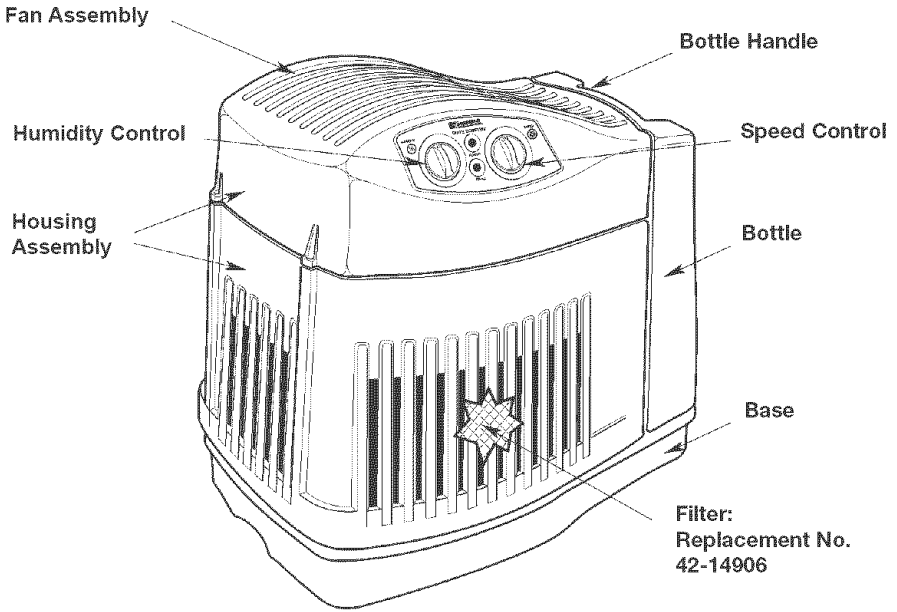
To Save a Service Call

Check the following if your humidifier is not operating.

1. Is power cord attached to outlet?
2. Is there electrical power to outlet?

3. Is airflow control in operating position?
4. Is humidity control set high enough?
5. Is the humidifier sitting on a level surface?

Know Your Humidifier



Description	42-14410
Gallon Output/24 hrs	10
Capacity of Bottle	1.9 Gallons
Capacity of Base	2.0 Gallons
* Sq. Ft. Coverage	2100
Fan Speeds	3
Replacement Filter	42-14906
Power Light	Yes
Fill Light	Yes
Auto Humidistat	Yes
Auto Shut Off	Yes
Controls	Rotary
CUL Listed	Yes
Volts	120 A.C.
Hertz	60
Amps	0.80
Watts	80

* Based on an area with average insulation and an 8 foot ceiling height.

Humidifier Operations

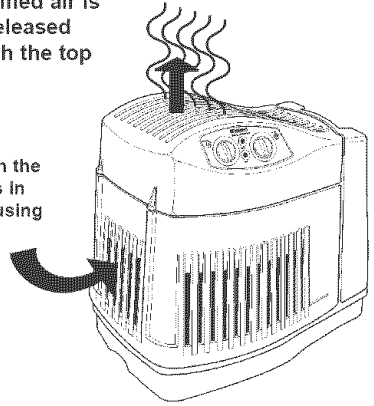
Your new Sears humidifier is designed to satisfy home humidity requirements through the principle of evaporation of water in the air.

After water is added to the humidifier, the filter begins to soak up the water and will become saturated in approximately 30 minutes. Air drawn in through the openings in the lower housing passes through the filter by means of a circulation fan. As air passes through the filter, moisture is absorbed into the air and then released in the form of vapor. No water droplets will enter the home. All evaporation into the air takes place in the humidifier, which means that the residue left by evaporating water is not passed into the home, but remains in the filter.

This natural process of evaporation helps eliminate the chance of white dust in the humidified output air.

Humidified air is then released through the top

Dry air enters through the louvers in the housing



CAUTION: Use only 42-14900 EPA Registered Bacteriostat available from SEARS Retail store. Under no circumstances should you use water treatment products designed for Roto belt or Ultrasonic humidifiers.

CAUTION: To reduce the risk of injury, fire or damage to humidifier, use only cleaners specifically recommended for humidifiers. Never use flammable, combustible or poisonous materials to clean your humidifier. To reduce the risk of scalds and damage to humidifier, never put hot water in humidifier.

Assembly

Your new Sears Kenmore humidifier is completely assembled for you to use.

Follow the instructions of this owner's manual for proper usage.

Location Instructions

WARNING: For your own safety, do not use humidifier if any parts are damaged or missing.

Step 1

Place humidifier on a flat level surface in an area of house where most humidity is needed, or one which would likely result in moist air being circulated throughout the house such as near a cold air return.

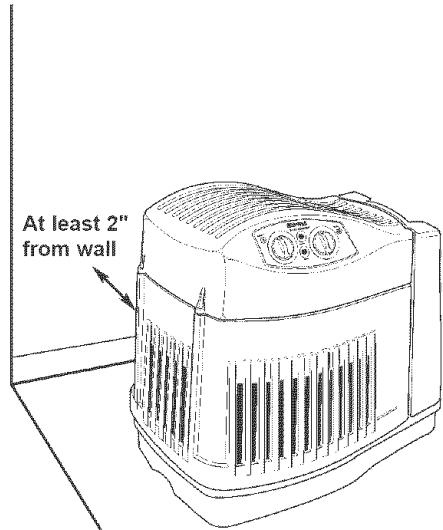
Placing the unit level is very important. Special attention should be given to unit's level if the humidifier is located on carpeting.

Moist air (humidity) produced will disperse into the whole house, but the area closest to the unit will have the highest humidity. If the unit is positioned close to a window, condensation may form on the window pane. If this is not appropriate the unit should be repositioned in another location.

NOTE: Due to release of cool, moist air from humidifier, it is best to direct air away from home thermostat and hot air registers. It is best to position humidifier next to an inside wall. Hot air registers and cold air from outside walls can affect the efficiencies of the controls. Unit should not be placed where warm air from a hot air register blows directly on unit.

Step 2

The humidifier should be positioned with the back (cord exit side) and left side, at least 2 inches away from the wall. Air needs to enter through all of the louvers in the housing assembly in order for the humidifier to operate at peak efficiency.



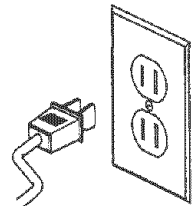
Electrical Hook-Up

Locate nearest 120V A.C. wall socket in the location desired, preferably on inside wall. With the humidifier in the desired location, route the electrical cord safely so no one will trip or upset the humidifier. Plug in the electrical cord.

WARNING: To reduce the risk of fire or shock hazard, humidifier should be plugged directly into a 120V A.C. outlet. Do not use extension cords.

To reduce the risk of electrical shock, this humidifier has a polarized plug (one blade is wider than the other). This plug

will fit in a polarized outlet only one way. If the plug does not fit fully in the outlet, reverse plug. If it still does not fit, contact a qualified electrician to install the proper outlet. Do not change the plug in any way.



Water Fill

WARNING: To reduce the risk of shock, always unplug humidifier before cleaning or servicing.

WARNING: To reduce the risk of fire or shock hazard, do not pour or spill water into control or motor area. If controls get wet, let them dry completely and have unit checked by authorized service personnel before plugging in.

This humidifier is designed for use with the water bottle located to the right of the upper grill. The water bottle holds 1.9 gallons of water. The humidifier should be positioned where it will be operating.

To fill the whole house humidifier, grasp the bottle handle at the top of the bottle and lift it straight up and away from humidifier base. Take care not to bump or damage spring valve assembly on bottom of bottle.

NOTE: If it is desired to use approved bacteriostat, follow directions correctly.

The bottle of the whole house humidifier will hold 1.9 gallons of water.

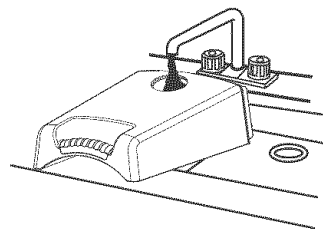
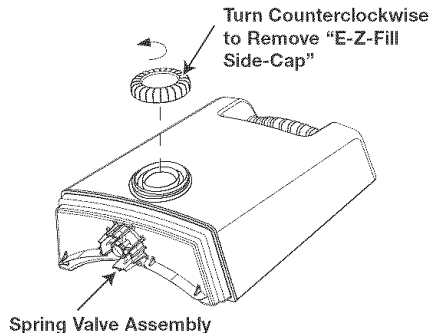
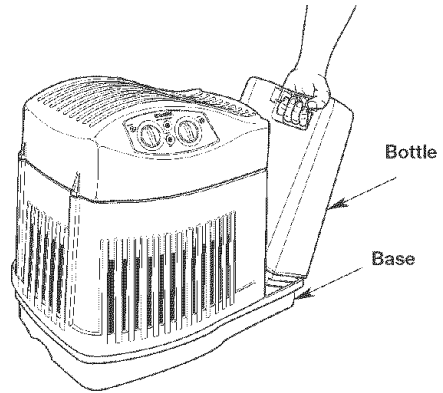
The water bottle is designed with an "E-Z-Fill Side-Cap". Remove the "E-Z-Fill Side-Cap" on the side of the water bottle by twisting counterclockwise.

Place the opening of the water bottle under a water faucet and fill. If desired, add Sears liquid bacteriostat (stock number 42-14900) to help control the build up of bacteria and algae. Do not use solid water treatments. Solid debris could make the lower valve leak.

Install the "E-Z-Fill Side-Cap" by twisting clockwise. Hand tighten only.

Check for possible leaks by performing the following:

1. Grasp bottle handle and hold the bottle upright over a sink.
2. Press up on valve plunger for about one second to let out a little water.
3. Release the plunger.



4. Listen for air bubbles. Look for leaks around the "E-Z-Fill Side-Cap" and valve plunger.
 5. If you hear air bubbles or see leaks, retighten the "E-Z-Fill Side-Cap" and repeat steps 1-4.
- Wipe off excess water from the bottle.

Position the water bottle back into the humidifier base to the right of the grille. The "E-Z-Fill Side-Cap" must be facing outward. When positioned properly, the plunger will open and water will flow into the base. The base will hold the entire contents of the water bottle. Allow up to one minute for the water to flow into the base. Once the bottle is empty, remove it and refill it as mentioned earlier. Return it to the right side of the grille. The humidifier is now filled to capacity.

The water bottle may be filled at anytime as necessary during operation. To benefit from less frequent filling let the humidifier exhaust both the water from the bottle and base before filling. The unit is now ready for operation.

Operating Humidifier Controls


The operating controls of your Kenmore Quiet Comfort whole house humidifier are located towards the front of the humidifier. Familiarize yourself with the controls. Reference the diagram of the control area for the correct nomenclature used in this manual.

To Operate the Controls

Power Light

When the unit is plugged in and turned on, the red power light will come on. It will stay on until the unit is turned off (|) or unplugged.

Humidity Control:

Adjust the amount of  humidity depending on your needs. The humidifier will turn on and off as required to maintain level of humidity selected. A medium setting (half way between the controls rotation) is recommended, but there are times when low or high amount of humidity may be preferred. For constant operation of humidifier, rotating the control all the way clockwise allows for the maximum amount of humidity to be evaporated into the air continuously.

IMPORTANT: Water damage may result if condensation starts to form on windows or walls. Humidity Control setting should be lowered until condensation no longer forms.

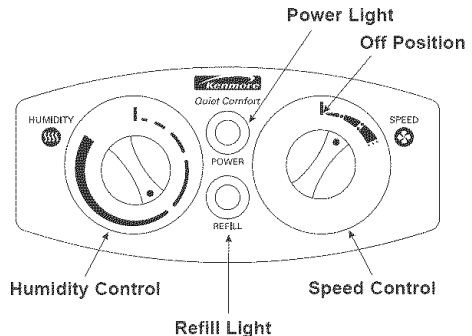
Speed Control

This humidifier has a three speed fan control switch. (•) - Low, (⌘) - Medium and (⌚) - High). The maximum humidity output is obtained with the fan control on high (⌚) .

The higher the air flow speed, the more water is evaporated and released into the air. Low speed (•) is the quietest and is also provided for conditions that may not require as high an evaporation rate.

Refill Light

When the unit has a small amount of water left in it, the amber refill light will come on and the unit will automatically shut off.



Using Your Humidifier

Step 1

Be sure unit is full of water and plugged in.

Step 2

Set the Speed Control to LOW (•).

Step 3

Set Humidity Control to a medium position (see diagram below)

NOTE: Humidifier should operate with humidity control on the recommended medium setting. If it does not, the humidity is at a relatively high level. To test the unit under this condition, turn Humidity Control all the way to clockwise and unit should begin to operate. After the unit has been tested, set Humidity Control to medium or desired level.

Allow 24 hours for humidifier to adjust.

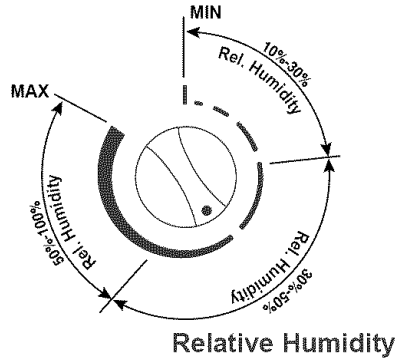
If humidity level in home is sufficient, the humidifier will only operate with Humidity Control set on maximum.

IMPORTANT: Water damage may result if condensation starts to form on windows or walls. Humidity Control setting should be lowered until condensation no longer forms.

Step 4

If humidifier stops running and the amber Refill Light is not illuminated, the humidity level is at the normal requirements for that setting or it is adjusting to the home conditions. The table below shows recommended indoor humidity levels. The figure below shows approximate relative humidity percentages which correspond to the various settings of the Humidity Control.

When Outdoor Temperature is:	Recommended Indoor Relative Humidity is:
-10°F	20%
0°F	25%
10°F	30%
20°F & above	35%



Operating Tips for Best Performance

1. Position the humidifier next to an inside wall at least 2 inches from the wall and away from any heat registers.
2. Do not restrict airflow from entering or exiting the humidifier.
3. Use 42-14900 EPA approved bacteriostat (available at your local Sears store) to retard bacteria growth that may cause odors and may be harmful to your health.
4. Regular cleaning as instructed in "Cleaning Your Humidifier" section of this manual is recommended.
5. Replace the evaporative wicking filter at least once per humidification season or more depending on water conditions in your area.

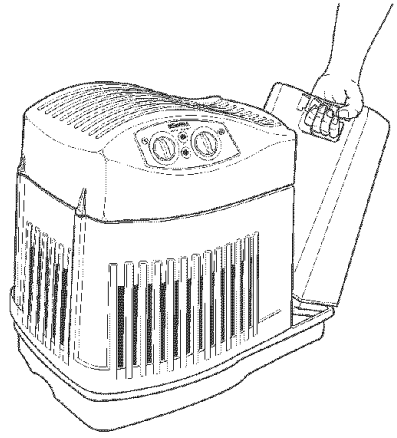
Replacement and Care of Filters

WARNING: To reduce the risk of shock or injury from moving parts, always unplug humidifier before removing or replacing any parts.

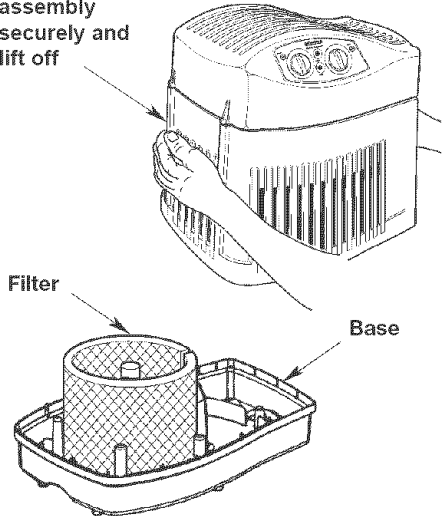
CAUTION: To help retard bacteria growth and keep maximum efficiency, the filter should be replaced at least once per season, or more often under hard water conditions. Use Sears recommended replacement filter 42-14906.

To replace the filter in your humidifier, follow the instructions below.

1. Unplug humidifier.
Before removing the filters, we recommend moving the humidifier to an area where floor coverings are not susceptible to water damage. (i.e. kitchen or bath areas.)
2. Remove the water bottle and set aside. Be sure not to bump or damage the lower spring valve.
3. Grasp the housing assembly and lift straight up and away from the base and set aside. The filter is now accessible.
4. Take note of the filter position. Remove the filter and dispose of properly. You may want to clean the base at this time. See the "Cleaning Your Humidifier" section of this manual.



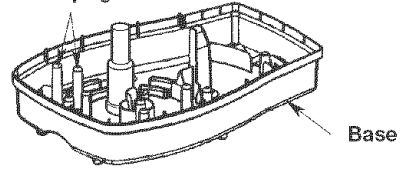
Grasp housing assembly securely and lift off



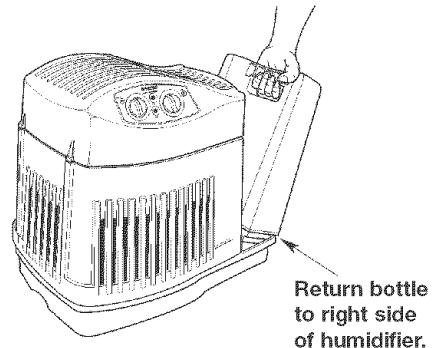
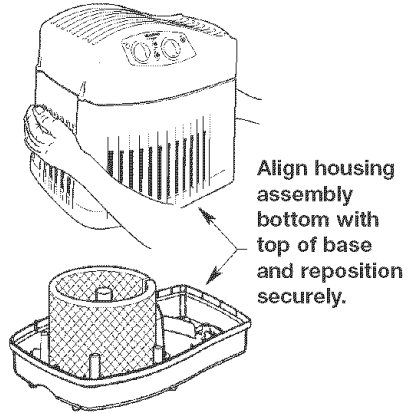
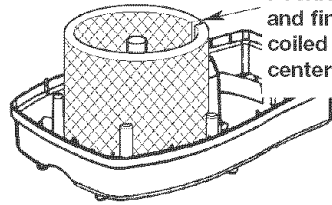
Replacement and Care of Filters (continued) —

5. Install a new filter (42-14906) into the base. Coil the filter and position it between the uprights in the bottom of the base. The start and finish of the coil should be captured at the centre of the base (see diagram) and the filter should be resting on the floor of the base.
6. Return the housing assembly to the top of the base. Return the water bottle to the right of the housing assembly and reposition the humidifier to its operating position.
7. The humidifier is now ready to be filled for operation.

Base Uprights



Position start and finish of coiled filter at center of base.



Cleaning Your Humidifier

WARNING: To reduce the risk of injury, fire or damage to humidifier, use only cleaners specifically recommended for humidifiers. Never use flammable, combustible or poisonous materials to clean your humidifier. To reduce the risk of scalds and damage to humidifier, never put hot water in humidifier.

CAUTION: Local water purity varies from area to area and under certain conditions water impurities and airborne bacteria may promote the growth of microorganisms in the reservoir of the humidifier.

To retard bacteria growth that may cause odors and be harmful to your health, use only Sears replacement filters. We also recommend using EPA approved bacteriostat, 42-14900 and humidifier cleaner 42-14713, available at your local Sears store.

Step 1

To make cleaning easier, the humidifier base should be empty and completely dried out. To accomplish this, use the following method:

- a. Allow the humidifier to run until the amber Refill light illuminates and the automatic shutoff has stopped the humidifier fan.
- b. Unplug humidifier.

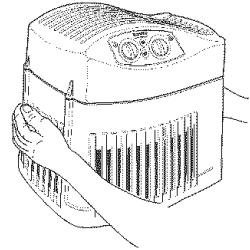
WARNING: If humidifier is not unplugged, fan could start after housing is removed.

Step 2

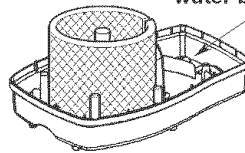
To Remove Parts

1. Remove the water bottle and set aside. Be sure not to bump or damage the lower spring valve.
2. Grasp the housing assembly and lift straight up and away from the base and set aside. The filter is now accessible.
3. Take note of the filter position. Remove the filter and set aside or dispose of properly.

NOTE: There may be a little water still in the base. Carefully dump the water out or remove with a sponge.



NOTE: Remove excess water before cleaning.



Cleaning of Humidifier (continued)

Step 3

Bi-Weekly Maintenance

Removing Scale

1. Fill the humidifier base with one 8 oz. cup of undiluted white vinegar. Let solution stay 20 minutes.
2. Clean all interior surfaces with a soft brush. Dampen a soft cloth with undiluted white vinegar and wipe out the base to remove scale.
3. Rinse thoroughly with clean warm water to remove scale and cleaning solution.

Disinfecting Base

1. Pour 1 gallon of water and 1 teaspoon chlorine bleach into the base. Let solution stay for 20 minutes, carefully swishing every few minutes. Wet all surfaces normally exposed to water.
2. Empty base after 20 minutes. Rinse with water until bleach smell is gone. Allow unit to dry out completely.

NOTE: The water bottle should be cleaned in the same manner as the base. Rinse thoroughly with clean water after all steps are complete.

Step 4

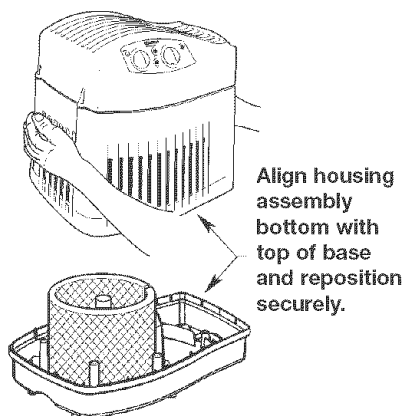
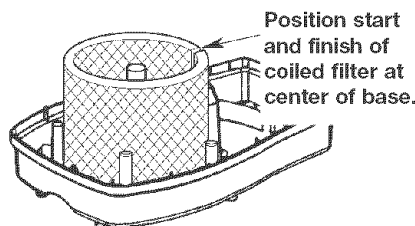
Replacing Parts

1. Install a new filter (42-14906) or the filter previously set aside if it is in good condition into the base. Coil the filter and position it between the uprights in the bottom of the base. The start and finish of the coil should be captured in the centre of the base (see diagram) and the filter should be resting on the floor of the base.
2. Return the housing assembly to the top of the base. Return the water bottle to the right of the housing assembly and reposition the humidifier to its operating position.
3. The humidifier is now ready to be filled for operation.

End of Season Maintenance

1. Follow "Bi-Weekly Maintenance" instructions at end of humidification season.
2. Remove and throw away filter.
3. Let humidifier dry completely before storing. Do not store with water inside base or bottle.
4. Store in cool, dry location.
5. Install a new filter in clean humidifier before next season begins.

Note: "Bi-Weekly Maintenance" is also recommended if you do not plan to run the humidifier for one week or more.



Troubleshooting

Trouble	Probable Cause	Remedy
Power light not illuminated	<ul style="list-style-type: none"> • No Power • Speed control in off position (See page 7.) 	<ul style="list-style-type: none"> • Check 120 volt power source. • Turn speed control clockwise.
Unit will not run and Fill Light is not on. Note: Red power light is on.	<ul style="list-style-type: none"> • Selected humidity level has been established. 	<ul style="list-style-type: none"> • Raise humidistat setting
Unit will not cycle on and off.	<ul style="list-style-type: none"> • Humidity control turned all the way clockwise to "Constant On" position. • Desired humidity not established. • Humidifier under size for requirements. 	<ul style="list-style-type: none"> • Turn humidity control counter clockwise until the fan turns off. • Allow up to 24 hours of run time for unit to adjust. • Designed to satisfy an area up to 2100 sq. ft.
Unit will not shut off.	<ul style="list-style-type: none"> • Float is not free. 	<ul style="list-style-type: none"> • Free float from obstruction.
Unit will not dry out completely.	<ul style="list-style-type: none"> • This is normal. 	<ul style="list-style-type: none"> • A small amount of water remains in the base after the Refill Light comes on.
Bottle continues to empty.	<ul style="list-style-type: none"> • Air is entering the bottle. 	<ul style="list-style-type: none"> • Check "E-Z-Fill Side-Cap" and lower spring assembly • Check for leak in water bottle. • Ensure gasket for "E-Z-Fill Side-Cap" is in place.
Unit is not emptying during use.	<ul style="list-style-type: none"> • Dirty filter. • Lower spring assembly on bottle damaged or missing post in bottom of base. 	<ul style="list-style-type: none"> • Change to a fresh new filter. • Check orientation of bottle. Reposition so that lower spring valve assembly is depressed by post in bottom of base.

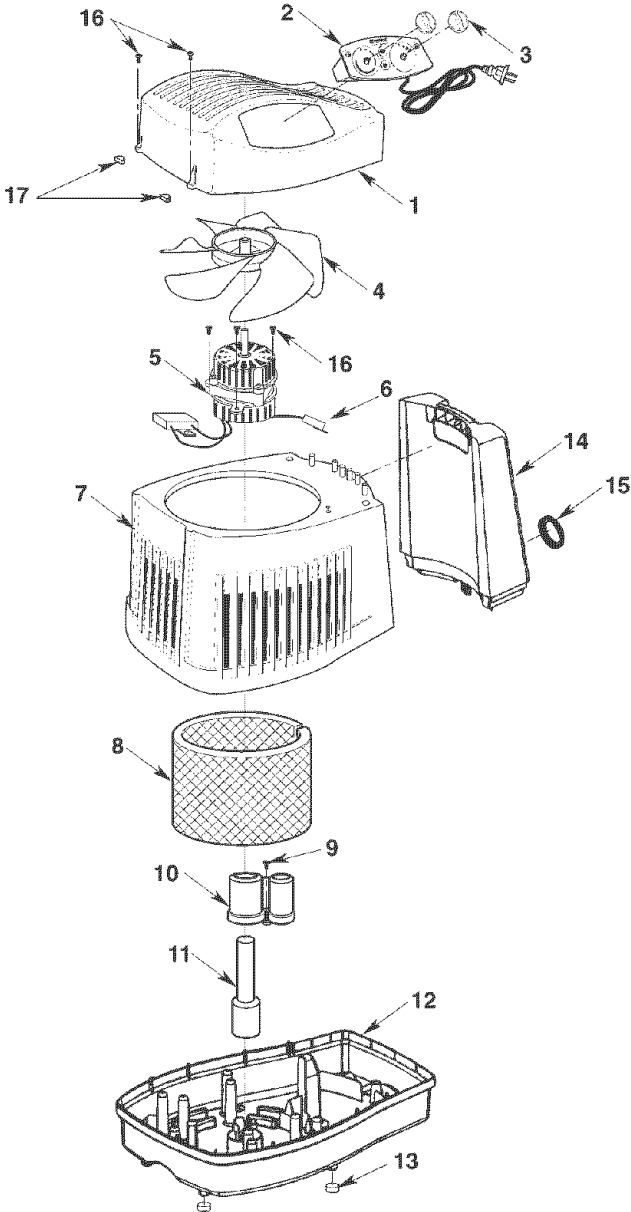
CAUTION: Use only 42-14900 EPA Registered Bacteriostat available from Sears Retail store.

Use of other water treatment products may damage the filter component.

Under no circumstances should you use water treatment products designed for Roto belt or Ultrasonic humidifiers.

Repair Parts

Parts List for Sears Humidifier Model No. 758.144105



Repair Parts

Parts List for Sears Humidifier Model No. 758.144105

Always order by part number - Not by key number

Key No	Part No.	Description
1	830487	Housing, Upper
2	829822	• Assembly, Control
3	830494	Knob
4	829821	• Blade, Fan
5	829819	• Motor
6	823728	Switch, Micro
7	830489	Housing, Lower
8	42-14906	† Filter
9	829815	Screw, Pan Hd. Ty. AB #6 x 1/2 SS
10	830496	Support, Filter
11	829816	Float
12	830484	Base
13	829808	Foot, Rubber
14	830537	Bottle, Includes Key # 15
15	824690-2	Cap, Fill
16	829805	Screw, Pan Hd. Trx Hi-Lo #6 x 3/4
17	830587	Cap, Screw
18	SP6519	Owner's Manual (not shown)

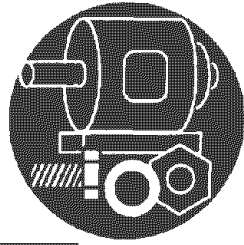
- † Stock item - May be secured through the Hardware Department of most Sears retail stores.
- Any attempt to repair this control assembly or motor may create a hazard unless repair is done by a qualified service technician. Repair service is available at your nearest Sears store.

For the repair or replacement parts you need

Call 7 am - 7 pm, 7 days a week

1-800-366-PART

(1-800-366-7278)



For in-home major brand repair service

Call 24 hours a day, 7 days a week

1-800-4-REPAIR

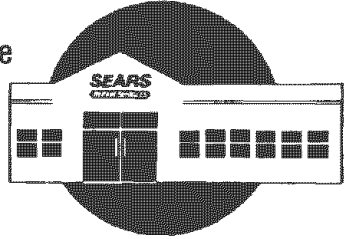
(1-800-473-7247)



For the location of a Sears Repair Service
Center in your area

Call 24 hours a day, 7 days a week

1-800-488-1222



For information on purchasing a Sears
Maintenance Agreement or to inquire
about an existing Agreement

Call 9 am - 5 pm, Monday-Saturday

1-800-827-6655

SEARS
REPAIR SERVICES

America's Repair Specialists



The model number will be found on the Humidifier identification label.

When requesting service or ordering parts, always provide the following information:

- Product Type
- Model Number
- Part Number
- Part Description