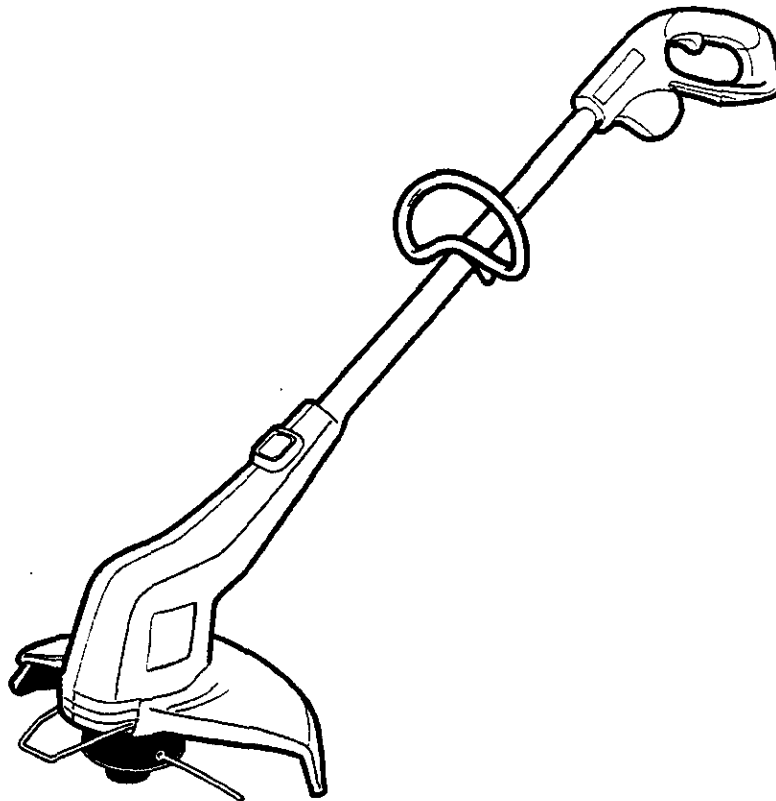


Instruction Manual



12" TRIMMER/EDGER

Model 900.74522



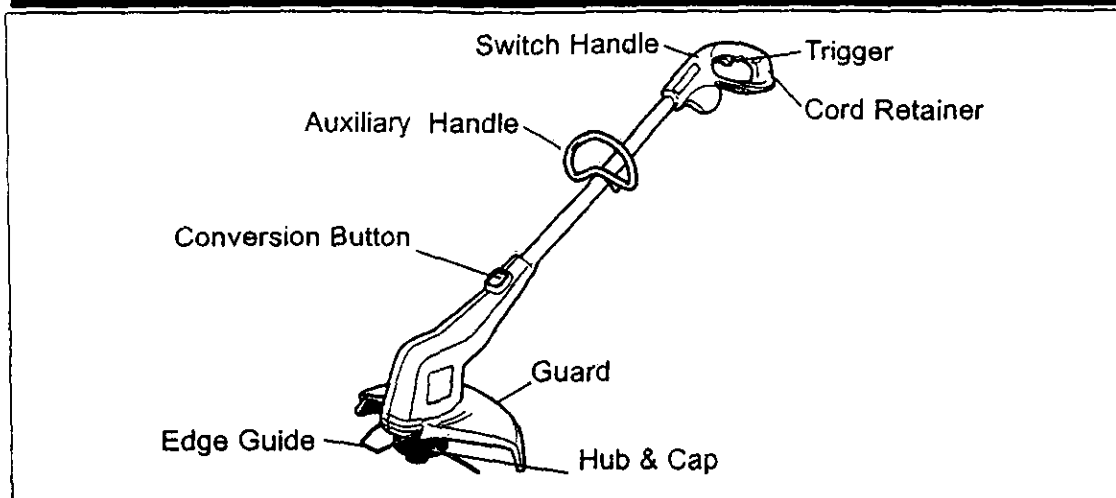
▲ CAUTION:

Before using this product, read this manual and follow all its Safety Rules and Operating Instructions.

- Safety
- Operation
- Maintenance
- Parts List
- Español

Sears, Roebuck and Co., Hoffman Estates, IL 60179 U.S.A.
www.sears.com/craftsman

TRIMMER/EDGER DIAGRAM



SEARS WARRANTY

FULL ONE YEAR WARRANTY ON CRAFTSMAN TRIMMER/EDGER

If this Craftsman product fails due to a defect in material or workmanship within one year from the date of purchase, return it to your nearest Sears store or Craftsman outlet to have it replaced free of charge.

This warranty applies only while this product is used in the United States.

This warranty gives you specific legal rights, and you may also have other rights which vary from state to state.

Sears, Roebuck and Co., Dept. 817WA, Hoffman Estates, IL 60179

WARNING: IMPORTANT SAFETY WARNINGS AND INSTRUCTIONS

TO REDUCE RISK OF INJURY:

- Before any use, be sure everyone using this tool reads and understands all safety instructions and other information contained in this manual.
- Save these instructions and review frequently prior to use and in instructing others.

▲ WARNING: When using electric gardening appliances, basic safety precautions should always be followed to reduce risk of fire, electric shock, and personal injury, including the following:

READ ALL INSTRUCTIONS.

▲ GENERAL SAFETY WARNINGS AND INSTRUCTIONS FOR ALL TOOLS

- **AVOID DANGEROUS ENVIRONMENT.** Don't use appliances in damp or wet locations. Don't use appliances in the rain.
- **KEEP CHILDREN AWAY.** All visitors should be kept at a distance from work area.
- **STORE IDLE APPLIANCES INDOORS.** When not in use, appliances should be stored indoors in dry, and high or locked-up place – out of reach of children.
- **DON'T FORCE APPLIANCE.** It will do the job better and with less likelihood of a risk of injury at the rate for which it was designed.
- **USE RIGHT APPLIANCE.** Do not use the appliance for any job except that for which it is intended.

- **DRESS PROPERLY.** Do not wear loose clothing or jewelry. They can be caught in moving parts. Rubber gloves and substantial, non-skid footwear are recommended when working outdoors. Wear protective hair covering to contain long hair.
- **USE SAFETY GLASSES AND OTHER SAFETY EQUIPMENT.** Use safety goggles or safety glasses with side shields, complying with applicable safety standards and, when needed, a face shield. Also use face or dust mask if operation is dusty. This applies to all persons in the work area. Also use a hard hat, hearing protection, gloves, safety shoes and dust collection systems when specified or required. Safety glasses are available at a Sears store.
- **DON'T ABUSE CORD.** Never carry appliance by cord or yank it to disconnect from receptacle. Keep cord from heat, oil, and sharp edges.
- **DON'T OVERREACH.** Keep proper footing and balance at all times.
- **MAINTAIN APPLIANCE WITH CARE.** Keep cutting edge sharp and clean for best performance and to reduce the risk of injury. Follow instructions for lubricating and changing accessories. Inspect appliance cord periodically and if damaged, have it repaired by a qualified service facility. Inspect extension cords periodically and replace if damaged. Keep handles dry, clean, and free from oil and grease.
- **DISCONNECT APPLIANCES.** Disconnect the appliance from the power supply when not in use, before servicing, and when changing accessories such as blades and the like.
- **AVOID UNINTENTIONAL STARTING.** Don't carry plugged-in appliance with finger on switch. Be sure switch is off when plugging in.
- **GROUND FAULT CIRCUIT INTERRUPTER (GFCI)** protection should be provided on the circuits or outlets to be used for the gardening appliance. Receptacles are available having built in GFCI protection and may be used for this measure of safety.
- **STAY ALERT.** Watch what you are doing. Use common sense. Do not operate appliance when you are tired.
- **CHECK DAMAGED PARTS.** Before further use of the appliance, a guard or

other part that is damaged should be carefully checked to determine that it will operate properly and perform its intended function. Check for alignment of moving parts, binding of moving parts, breakage of parts, mounting and any other conditions that may affect its operation. A guard or other part that is damaged should be properly repaired or replaced by a qualified service facility unless otherwise indicated elsewhere in this manual.

- **USE OF ACCESSORIES AND ATTACHMENTS.** The use of any accessory or attachment not recommended for use with this appliance could be hazardous. Note: Refer to the accessory section of this manual for further details.
- **EXTENSION CORDS.** Make sure your extension cord is in good condition. When using an extension cord, be sure to use one heavy enough to carry the current your product will draw. An undersized extension cord will cause a drop in line voltage resulting in loss of power and overheating. The table below shows the correct size to use depending on cord length and nameplate ampere rating. If in doubt, use the next heavier gauge. The smaller the gauge number, the heavier the cord. To reduce the risk of disconnection of the appliance from the extension cord during operation, use the extension cord retainer located on the upper trimmer/edger handle.

Total Cord Length	0-25	26-50	51-100	105-150
Amp Rating	AWG	AWG	AWG	AWG
More than 0 Not More than 6	18	16	16	14
More than 6 Not More than 10	18	16	14	12
More than 10 Not more than 12	16	16	14	12
More than 12 Not more than 16	14	12	Not Recommended	

▲ WARNING:

Outdoor use extension cords:

To reduce the risk of electric shock, use only with an extension cord intended for outdoor use, such as an extension cord of type SW-A, SOW-A, STW-A, STOW-A, SJW-A, SJOW-A, SJTW-A, or SJTOW-A.

IMPORTANT WARNINGS FOR STRING TRIMMERS

- The guard must be installed before trimming or edging - if not, the motor will overheat.
- When replacing the line, use .065" diameter ROUND line - otherwise the unit may not function properly.
- Angle tool slightly (5° to 10°) when trimming.
- Always use the cord retainer.
- Wear long pants and substantial footwear to protect yourself from injury caused by flying debris. This is especially important when edging with the appliance.

SAFETY WARNINGS

DOUBLE INSULATION

Double insulated tools are constructed throughout with two separate layers of electrical insulation or one double thickness of insulation between you and the tool's electrical system. Tools built with this insulation system are not intended to be grounded. As a result, your tool is equipped with a two prong plug which permits you to use extension cords without concern for maintaining a ground connection.

NOTE: Double insulation does not take the place of normal safety precautions when operating this tool. The insulation system is for added protection against injury resulting from a possible electrical insulation failure within the tool.

REPLACEMENT PARTS: When servicing all tools, USE IDENTICAL REPLACEMENT PARTS.

POLARIZED PLUGS

Repair or replace damaged cords. To reduce the risk of electric shock, this equipment has a polarized plug (one blade is wider than the other). This equipment must be used with a suitable polarized 2 wire or 3 wire extension cord. Polarized connections will fit together only one way. Make sure that the

receptacle end of the extension cord has large and small blade slot widths. If the plug does not fit fully into the extension cord, reverse the plug. If it still does not fit, obtain a suitable extension cord. If the extension cord does not fit fully into the outlet, contact a qualified electrician to install the proper outlet. Do not change the tool plug or extension cord in any way.

SPECIFIC WARNING

WARNING: Some dust created by this product contains chemicals known to the State of California to cause cancer, birth defects or other reproductive harm. Some examples of these chemicals are:

- compounds in fertilizers
- compounds in insecticides, herbicides and pesticides
- arsenic and chromium from chemically treated lumber

To reduce your exposure to these chemicals, wear approved safety equipment such as dust masks that are specially designed to filter out microscopic particles.

WARNING: This product contains chemicals, including lead, known to the State of California to cause cancer, and birth defects or other reproductive harm. Wash hands after handling.

ASSEMBLY INSTRUCTIONS

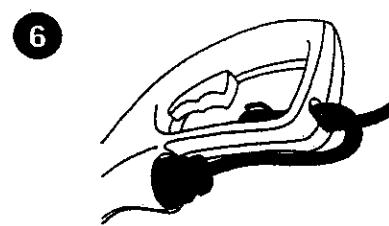
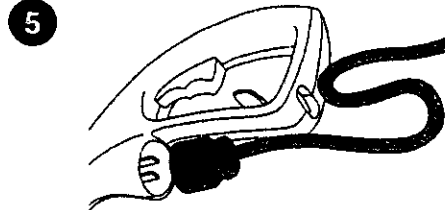
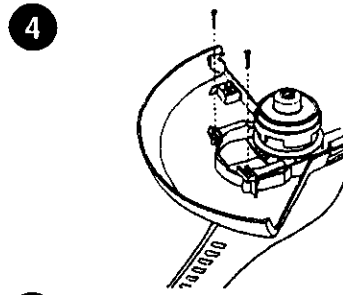
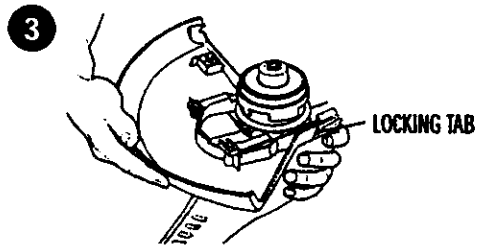
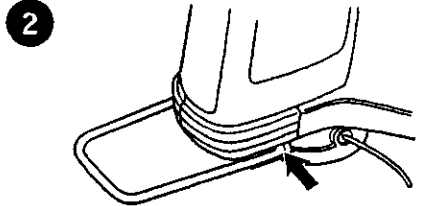
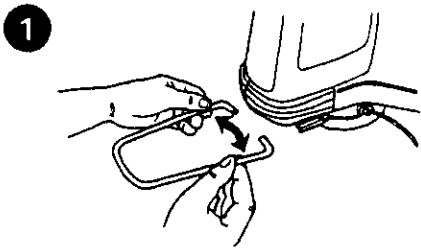
ATTACHING THE GUARD AND EDGE GUIDE TO THE TRIMMER/EDGER

WARNING: The guard must always be on the tool to protect the user. NEVER OPERATE TOOL WITHOUT GUARD FIRMLY IN PLACE.

Unplug the tool before attempting to attach the guard.

1. Spread the edge guide apart and locate it in the slot and hole as shown in Figure 1.
2. See Figure 2 for edge guide assembled on the trimmer.

3. Slip the guard onto the trimmer housing and line up screw holes. Make sure that it fits onto the mounting shoulder and that the locking tabs on the guard fit into the two notches on the housing, as shown in Figure 3.
4. Insert the two screws from the plastic bag to secure the guard and edge guide in place as shown in Figure 4.
5. Attach extension cord to cord retainer as shown in Figures 5 & 6.



OPERATING INSTRUCTIONS

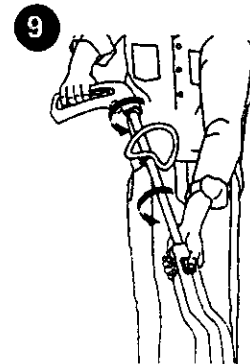
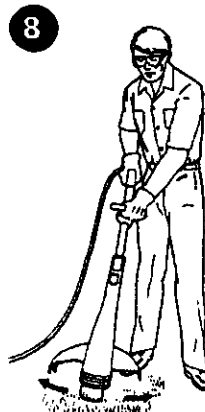
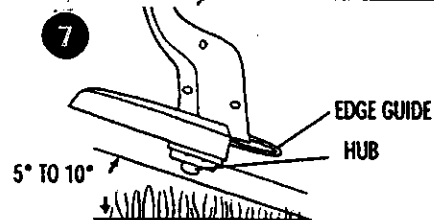
LINE FEED

As you use the trimmer, the string will get shorter due to wear. Gently bump the hub on the ground and the line will feed.

▲ CAUTION: ALWAYS WEAR EYE PROTECTION.

▲ CAUTION: Inspect area to be trimmed and remove any wire, cord, or string-like objects which could become entangled in the rotating line or spool. Be particularly careful to avoid any wire which might be bent outwardly into the path of the tool, such as barbs at the base of a chain link fence.

1. Angle unit as shown in Figure 7.
2. Slowly swing trimmer side-to-side as shown in Figure 8.
3. To convert for maintenance edging (Figure 9) unplug from power source, depress conversion button and rotate the motor housing. When the button snaps back into place, the tool is locked in the edger position.
4. To operate as a maintenance edger, position trimmer above sidewalk as shown in Figure 10.
5. Return to trimming position by unplugging tool, depressing the button and rotating back.



CUTTING LINE

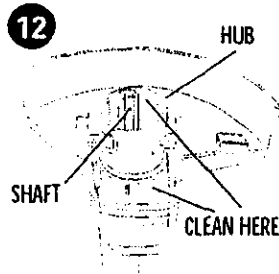
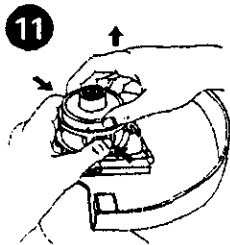
Your trimmer uses .065" (1.65 mm) diameter, **ROUND** nylon line to cut grass and weeds quickly and easily. During use, the tip of the nylon line will become frayed and worn. Bump the hub gently on the ground for a fresh feed of line.

Cutting line will wear faster and require more feeding if the cutting or edging is done along sidewalks or other abrasive surfaces or heavier weeds are being cut.

CLEARING JAMS AND TANGLED LINES

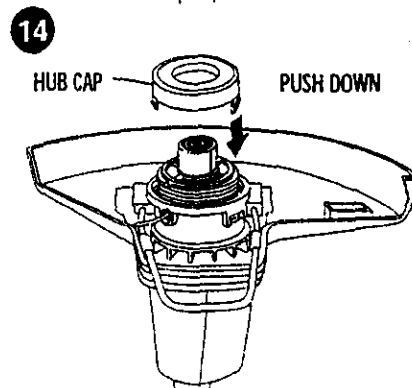
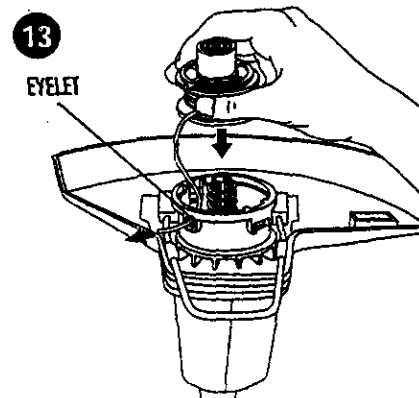
From time to time, especially when cutting thick or stalky weeds, the line feeding hub may become clogged with sap or other material and the line will become jammed as a result. To clear the jam, follow the steps listed below.

1. Unplug the trimmer.
2. Press the release tabs on the hub cap, as shown in Figure 11 and remove the cap by pulling it straight off.
3. Lift the spool of nylon line out of the hub and clear any broken line or cutting debris from the spool area. See Figure 12.
4. Unwrap about one foot (30 cm) of line and inspect it for damage. Cut away and discard any damaged line. If line is okay rewind it and insert the line end through the eyelet in the spool hub as shown in Figure 13. Pull on the line end to keep it taut while placing the spool down into the hub, as shown in Figure 13.
5. Press the spool down GENTLY on the spring and rotate it until you feel it drop into place. Take care to keep the line from becoming trapped under the spool.
6. Snap the hub cap back on (Figure 14). Turn on the tool. You will shortly hear the nylon line being cut to the proper length; if not, bump the hub gently on the ground for a fresh feed of line.



SPOOL OR LINE REPLACEMENT

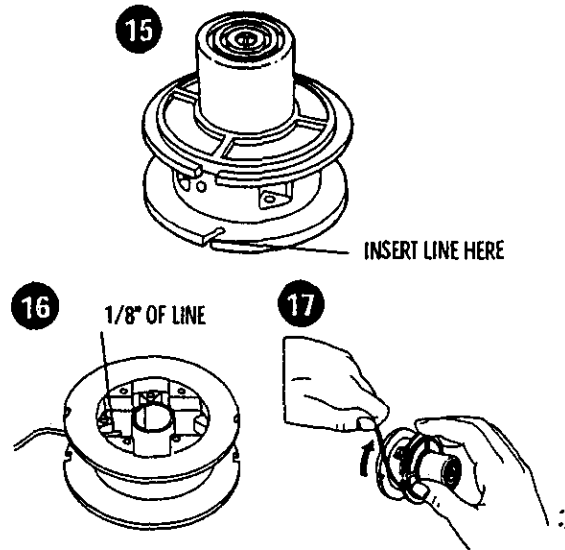
1. Unplug the trimmer.
2. Press the release tabs on the line hub cover, as shown in Figure 11. Remove the cover by pulling it straight off.
3. Remove the spool from the tool. Discard it if you plan to replace it. Remove and discard all line from it if you plan to rewind it with new line.
4. If you are rewinding the spool with new line, see "Rewinding Spool". If you are replacing the spool, use Craftsman replacement spool number 85680, available at Sears.
5. Insert the line end of the new or rewound spool through the eyelet in the spool hub, as shown in Figure 13. Pull on the line end to keep it taut while placing the spool down into the hub, as shown in Figure 14.
6. Press the spool down GENTLY on the spring and rotate it until you feel it drop into place. Take care to keep the line from becoming trapped under the spool.
7. Snap the hub cap back on (Figure 14). Turn on the tool. You will shortly hear the nylon line being cut to the proper length; if not, bump the hub gently on the ground for a fresh feed of line.



REWINDING SPOOL

Use .065" diameter ROUND line only. Do not use heavier gauge line; it will overload motor and cause overheating.

1. Insert line end about 1/8" into the spool hole as shown in Figures 15 and 16.
2. Snugly and evenly wind the line onto the spool in the direction of the arrow on the spool until the line builds up to the notches in the spool rim (Figure 17). Do not overfill spool. The spool holds about 20 feet of line.
3. Proceed to step 5 of "Spool or Line Replacement".



MAINTENANCE

CLEANING AND STORAGE

Be sure the tool is unplugged.

1. Keep the air intake slots (Figure 18) clean to avoid overheating.
2. Your trimmer line can dry out over time. To keep your line in top condition, store spare pre-wound spools or bulk line in a plastic, sealable bag with a tablespoon of water.
3. Plastic parts may be cleaned by using a mild soap and a damp rag.
4. DO NOT immerse tool in water or squirt it with a hose. DO NOT allow any liquid to get inside it.
5. Do not store the tool on or adjacent to fertilizers or chemicals.
6. DO NOT clean with a pressure washer.
7. The line cutter on the edge of the guard can dull over time. It is recommended you periodically touch-up the sharpness of the blade with a file.

ACCESSORIES

- Replacement spool, Craftsman Model No. 85680.
- 0.065" diameter ROUND nylon monofilament trimmer line.

The above accessory is available at your local Sears store or Sears service center.

WARNING: The use of any accessory not sold by Sears for use with this tool could be hazardous.

IMPORTANT: To assure product SAFETY AND RELIABILITY, repairs should be performed by a Sears or other qualified service facility, using only identical replacement parts.

