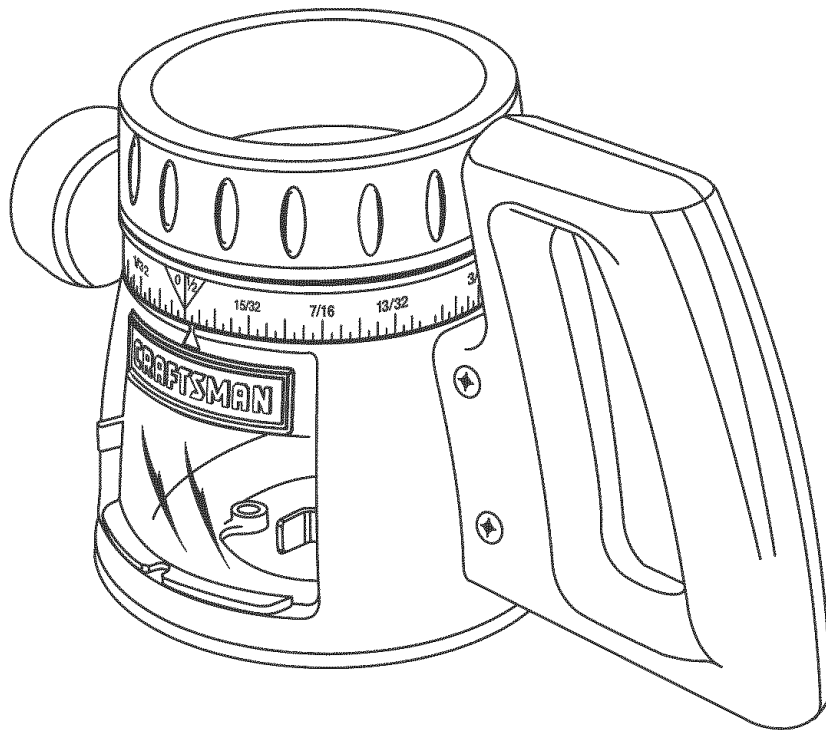


# Operator's Manual



## D-HANDLE ROUTER BASE

Model No.  
315.175300



Save this manual for future reference

**⚠ CAUTION:** Read and follow all safety rules and operating instructions before first use of this product.

Customer Help Line: 1-800-932-3188

Sears, Roebuck and Co., 3333 Beverly Rd., Hoffman Estates, IL 60179 USA  
Visit the Craftsman Web page: [www.sears.com/craftsman](http://www.sears.com/craftsman)





# TABLE OF CONTENTS

■ Introduction .....	2
■ Safety Rules .....	3
■ Unpacking .....	3
■ Features .....	4
■ Assembly .....	5
■ Exploded View and Parts List .....	6-7
■ Customer Service Information .....	8

## INTRODUCTION

Your router accessory has many features for making routing operations more pleasant and enjoyable. Safety, performance and dependability have been given top priority in the design of this product, making it easy to maintain and operate.

 **WARNING:** Do not attempt to use this product until you thoroughly read and completely understand the operator's manual. Pay close attention to the safety rules, including Dangers, Warnings, and Cautions. If you use this product properly and only as intended, you will enjoy years of safe, reliable service.

 Look for this symbol to point out important safety precautions. It means attention!!! Your safety is involved.

 **WARNING:**



The operation of any tool can result in foreign objects being thrown into your eyes, which can result in severe eye damage. Before beginning operation, always wear safety goggles or safety glasses with side shields and a full face shield when needed. We recommend Wide Vision Safety Mask for use over eyeglasses or standard safety glasses with side shields. Always wear eye protection which is marked to comply with ANSI Z87.1.

# SAFETY RULES

## READ ALL INSTRUCTIONS

- **Read these instructions and the instructions for the router motor thoroughly** before using this accessory.
- **Know your power tool.** Read the operator's manual for the router motor carefully. Learn the router's applications and limitations as well as the specific potential hazards related to this tool.
- **Keep the work area clean and well lit.** Cluttered benches and dark areas invite accidents.
- **Always wear safety glasses with side shields.** Everyday eyeglasses have only impact-resistant lenses; they are NOT safety glasses.
- **Disconnect the plug from power source before making any adjustments, changing accessories, or storing the tool.** Such preventive safety measures reduce the risk of starting the tool accidentally.
- **Do not use this product with other equipment** or for other purposes.
- **Save these instructions.** Refer to them frequently and use them to instruct other users. If you loan someone this product, also loan these instructions.

The purpose of safety symbols is to attract your attention to possible dangers. The safety symbols, and the explanations with them, deserve your careful attention and understanding. The safety warnings do not by themselves eliminate any danger. The instructions or warnings they give are not substitutes for proper accident prevention measures.

### SYMBOL MEANING



**DANGER:** Indicates an imminently hazardous situation, which, if not avoided, will result in death or serious injury.



**WARNING:** Indicates a potentially hazardous situation, which, if not avoided, could result in serious injury.



**CAUTION:** Indicates a potentially hazardous situation, which, if not avoided, may result in minor or moderate injury. It may also be used to alert against unsafe practices that may cause property damage.

**Important:** Advises you of important information or instructions vital to the operation or maintenance of the equipment.

**Note:** Advises you of additional information concerning the operation or maintenance of the equipment.

# UNPACKING

## INSTRUCTIONS

- Carefully remove the accessory from the box.
- Make sure that all items listed in the packing list are included.
- Inspect the accessory carefully to be sure no breakage or damage occurred during shipping.
- Do not discard the packing material until you have carefully inspected and satisfactorily operated the tool with the accessory.
- If any parts are damaged or missing, please call 1-800-932-3188 for assistance.

## PACKING LIST

D-handle Base  
Operator's Manual



**WARNING:** If any parts are missing, do not operate your tool until the missing parts are replaced. Failure to do so could result in serious personal injury.

# FEATURES

Before using the router, familiarize yourself with all operating features and safety requirements. However, do not let familiarity with the tool make you careless.

**⚠ WARNING:** Exercise caution when using the router. Careless actions, for even a fraction of a second, can result in serious personal injury.

Your new router accessory is equipped with the following features. See *Figure 1*.

## DEPTH ADJUSTMENT RING

The depth adjustment ring allows you to adjust the depth of cut.

## LOCKING ARM

The locking arm secures the motor housing for the D-handle base.

## CHIP SHIELD

A clear plastic chip shield is installed on the front of the router base for protection against flying dust and chips. Peel the horsepower label from chip shield and discard.

## ERGONOMIC DESIGN

The design of the router base provides for easy handling. It is designed for comfort and ease of grasp when operating in different positions and at different angles.

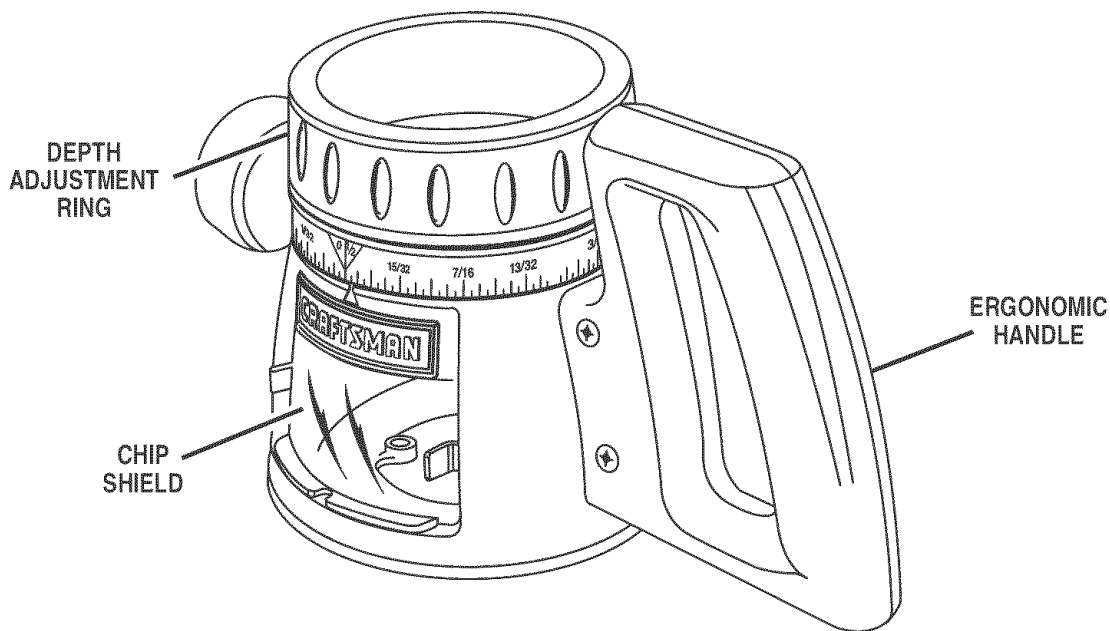


Fig. 1

# ASSEMBLY

**⚠ WARNING:** The router should never be connected to a power supply when you are assembling parts, making adjustments, cleaning, performing maintenance, or when the tool is not in use. Disconnecting the tool prevents accidental starting that could cause serious injury.

## INSTALLING THE ROUTER MOTOR IN THE BASE

See Figures 2 and 3.

Follow these steps to install the router motor in the base.

1. Unplug the router.

**⚠ WARNING:** Failure to unplug the tool could result in serious injury due to accidental starting.

2. Place the base on a flat surface.
3. Loosen the locking arm.
4. Align the notch in the depth adjustment ring with the indicator point on the base.

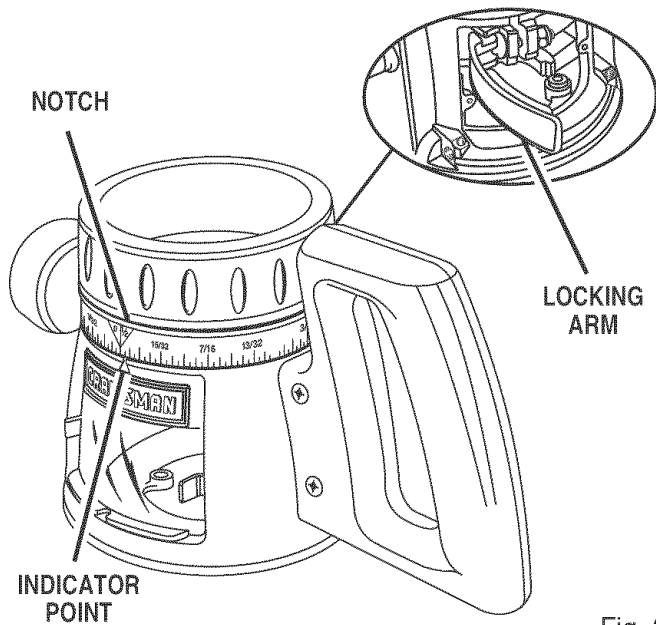


Fig. 2

5. Place the router motor upside down.
6. Align the spindle lock button with the groove in the base.
7. Depress and hold the spindle lock button on the motor.
8. Slide the base onto the motor housing.
9. Turn the depth adjustment ring clockwise until the spindle lock button slides above the locking arm.
10. Tighten the locking arm.

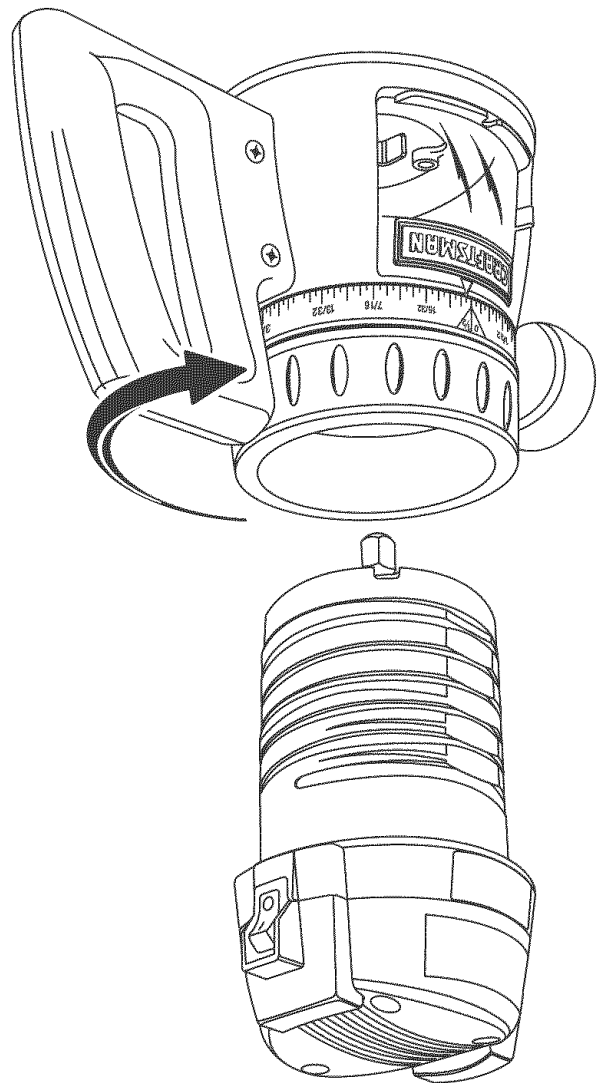


Fig. 3

## REMOVING THE CHIP SHIELD

A clear plastic chip shield is installed on the front of the router base for protection against flying dust and chips.

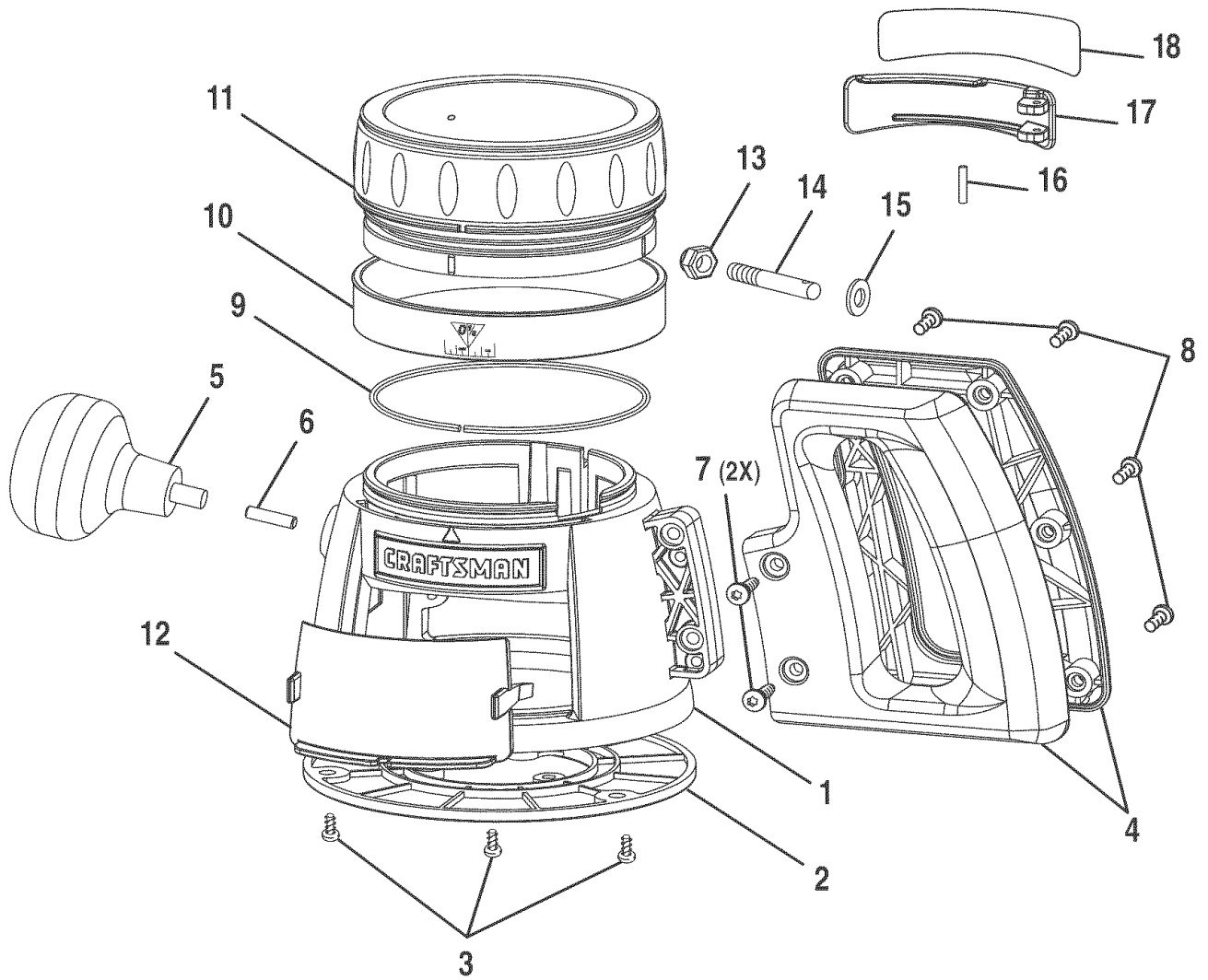
**⚠ WARNING:** Do not use the router unless the chip shield is properly in place. Failure to heed this warning could result in serious injury.

Follow these steps to remove the chip shield.

1. Squeeze the tabs on each side of the chip shield.
2. Pull out the chip shield.

**Note:** To replace the chip shield, squeeze the tabs on each side of the chip shield and push the shield into place.

CRAFTSMAN D-HANDLE ROUTER BASE — MODEL NUMBER 315.175300



**Note:** The assembly shown represents an important part of the double insulated system. To avoid the possibility of alteration or damage to the system, service should be performed by your nearest Sears repair center. Contact your nearest Sears retail store for service center information.

## CRAFTSMAN D-HANDLE ROUTER BASE — MODEL NUMBER 315.175300

The model number is on a plate attached to the motor housing. Always mention the model number in all correspondence regarding your **D-HANDLE ROUTER BASE** or when ordering repair parts.

### SEE BACK PAGE FOR PARTS ORDERING INSTRUCTIONS

### PARTS LIST

Key No.	Part No.	Description	Qty.
1	983469-001	D-handle Base.....	1
2	612191-004	Subbase .....	1
3	998586-001	* Screw (#10-32 x 1/4 in. Pan Hd.) **STD511102 .....	3
4	983345-001	D-handle Assembly .....	1
5	983506-001	Knob .....	1
6	982934-061	Pin Needle Roller .....	1
7	983699-131	* Screw (#10-24 x 3/4 in. Pan Hd.) **STD511007 .....	4
8	617966-028	* Screw (#8-10 x 1/2 in. Pan Hd.) .....	4
9	983689-001	Spline .....	1
10	982935-001	Depth Indicator Ring.....	1
11	982933-001	Depth Adjustment Ring .....	1
12	982966-001	Chip Shield .....	1
13	703477-057	* Hex Nut (#1/4-20) **STD541425 .....	1
14	982972-001	Lock Stud .....	1
15	706382-357	Flat Washer .....	1
16	982948-032	Pin Needle Roller .....	1
17	983451-203	Locking Arm .....	1
18	983681-001	Data Plate.....	1
	983000-173	Operator's Manual .....	1

\* Standard Hardware Item — May Be Purchased Locally  
 \*\* Available from Div. 98 — Source 980.00

# Get it fixed, at your home or ours!

## Your Home

For repair – **in your home** – of **all** major brand appliances, lawn and garden equipment, or heating and cooling systems, **no matter who made it, no matter who sold it!**

For the replacement parts, accessories and owner's manuals that you need to do-it-yourself.

For Sears professional installation of home appliances and items like garage door openers and water heaters.

**1-800-4-MY-HOME<sup>®</sup>** (1-800-469-4663)

Call anytime, day or night (U.S.A. and Canada)

[www.sears.com](http://www.sears.com)      [www.sears.ca](http://www.sears.ca)

---

## Our Home

For repair of carry-in items like vacuums, lawn equipment, and electronics, call or go on-line for the location of your nearest **Sears Parts & Repair Center.**

**1-800-488-1222**

Call anytime, day or night (U.S.A. only)

[www.sears.com](http://www.sears.com)

---

To purchase a protection agreement (U.S.A.) or maintenance agreement (Canada) on a product serviced by Sears:

**1-800-827-6655** (U.S.A.)

**1-800-361-6665** (Canada)

---

Para pedir servicio de reparación a domicilio, y para ordenar piezas:

**1-888-SU-HOGAR<sup>SM</sup>**

(1-888-784-6427)

Au Canada pour service en français:

**1-800-LE-FOYER<sup>MC</sup>**

(1-800-533-6937)

[www.sears.ca](http://www.sears.ca)

# SEARS