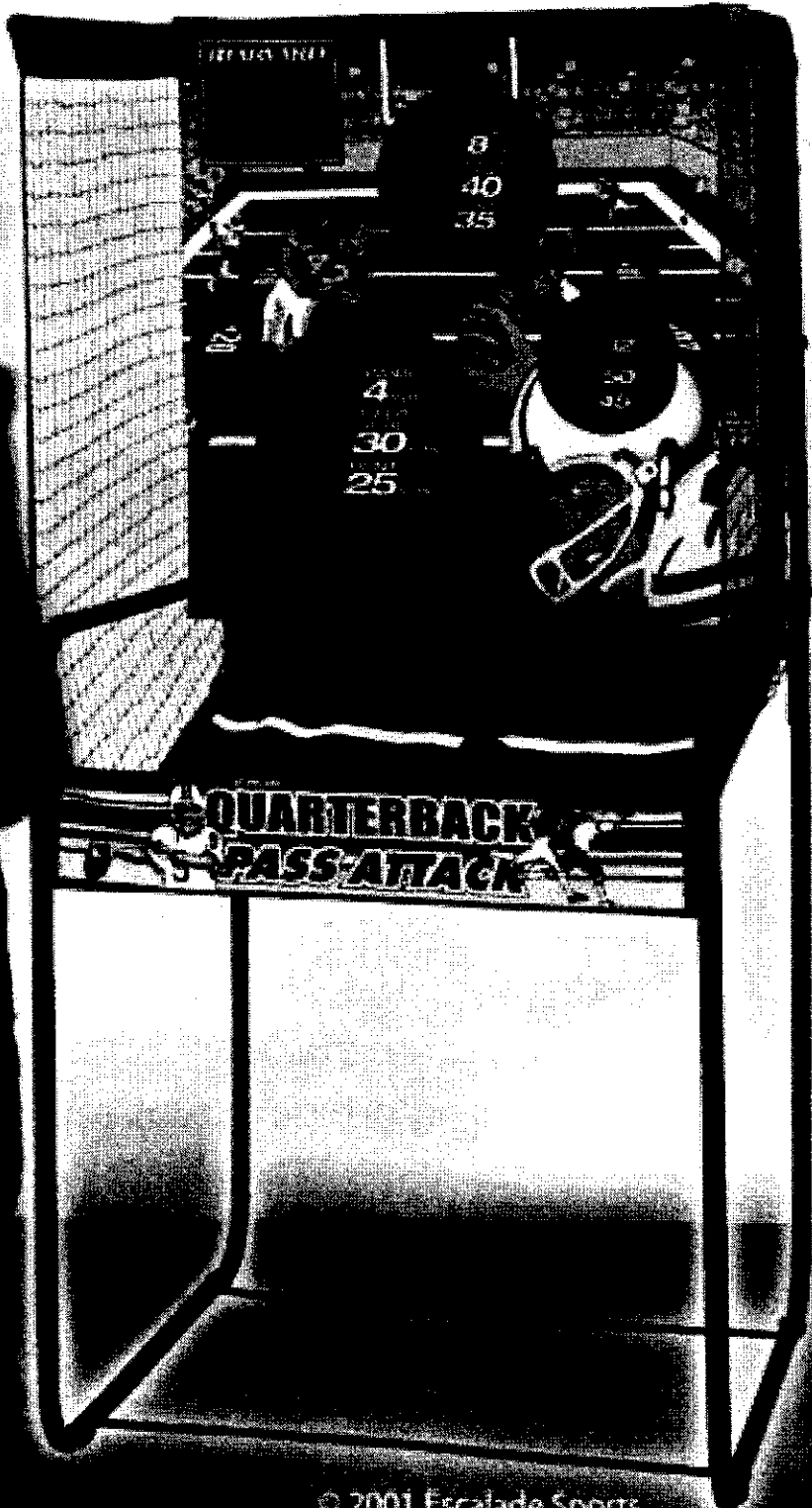


HARVARD

# QUARTERBACK PASS ATTACK

ELECTRONIC FOOTBALL GAME

## Instruction Manual



Model# M01901  
Sears# 25605

© 2001 Escalade Sports

---

## *FOOTBALL GAME*

---

Thank you for buying our product. We strive to ensure that our products are of the highest quality and free of manufacturing defects or missing parts. However, if you have any problems with your new product, please do not return to the store. Call us at:

*1-888-996-2729*

*FAX: 812-467-1399*

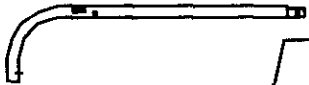

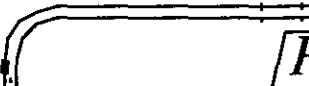




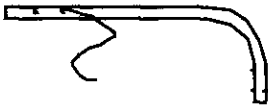
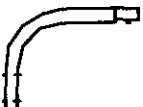
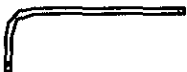


**YOU MUST HAVE YOUR MODEL NUMBER  
WHEN INQUIRING ABOUT PARTS.**

**OR WRITE TO:  
ESCALADE SPORTS  
CUSTOMER SERVICE DEPARTMENT  
P.O. BOX 889  
EVANSVILLE, IN 47706**

When contacting Escalade Sports please provide model number, serial number (if applicable), and part number if requesting a replacement part. These numbers can be found on the product, packaging, and in this Owners Manual.







For Customer Service Call 888-996-2729

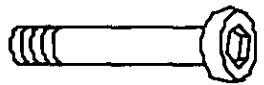
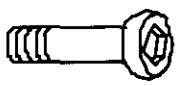


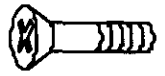
# PARTS IDENTIFIER

ASSEMBLY PARTS	DESCRIPTION	QTY
 <b>P1</b>	BASE TUBE	2
 <b>P2</b>	SUPPORT TUBE	2
 <b>P3</b>	BASE TUBE	2
 <b>P4</b>	FRONT UPRIGHT TUBE	2
 <b>P5</b>	SUPPORT TUBE	4
 <b>P6</b>	UPRIGHT TUBE	2
 <b>P7</b>	TOP TUBE (NO WIRE)	1
 <b>P7A</b>	TOP TUBE (WITH WIRE)	1
 <b>P8</b>	TOP TUBE	2
 <b>P9</b>	TUBE	2
 <b>P10</b>	STRAIGHT PIPE	2
 <b>P11</b>	BACKBOARD MOUNTING BRACKET	4

For Customer Service Call 888-996-2729








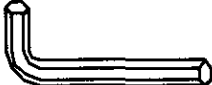
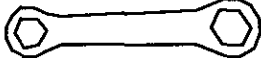


# PARTS IDENTIFIER

<i>ASSEMBLY PARTS</i>	<i>DESCRIPTION</i>	<i>QTY</i>
 <b>P12</b>	BACKBOARD	1
 <b>P13</b>	CLOTH FACE	1
 <b>P14</b>	SWITCH	1
 <b>P15</b>	RAMP NET	1
 <b>P16</b>	RAMP NET HOOK	2
 <b>P17</b>	ELECTRONICS	1

<i>HARDWARE</i>	<i>DESCRIPTION</i>	
 <b>H1</b>	1/4" X 3" BOLT	4
 <b>H2</b>	1/4" X 1-3/4" BOLT	14
 <b>H3</b>	1/4" LOCK NUT	18
 <b>H4</b>	5/32" X 7/8" BOLT	4
 <b>H5</b>	5/32" X 2-3/16" BOLT	8

For Customer Service Call 888-996-2729

# PARTS IDENTIFIER

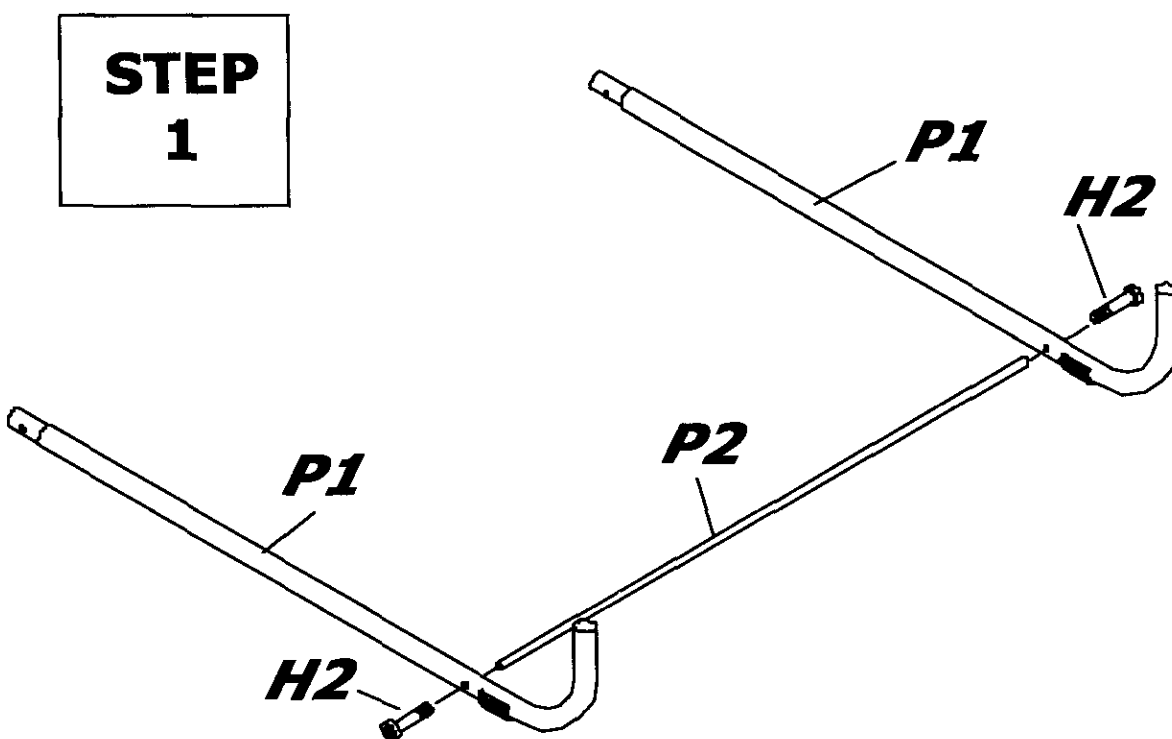
<i>HARDWARE</i>		DESCRIPTION	QTY
	<b>H6</b>	PLASTIC SPACER	8
	<b>H7</b>	1/4" X 7/8" BOLT	4
	<b>H8</b>	1/4" WASHER	5
	<b>H9</b>	5/32" WASHER	12
	<b>H10</b>	5/32" LOCK NUT	12
<i>ACCESSORIES</i>		DESCRIPTION	QTY
	<b>A1</b>	ADAPTER	1
	<b>A2</b>	LINE MAT	2
	<b>A3</b>	TOOL	1
	<b>A4</b>	TOOL	1
	<b>A5</b>	TOOL	1
	<b>A6</b>	FOOTBALL	3

# ASSEMBLY INSTRUCTIONS

## GAME ASSEMBLY

**WARNING: TWO ADULTS NEEDED TO ASSEMBLE FOOTBALL GAME**

- 1 ATTACH THE SUPPORT TUBE **P2** TO THE BASE TUBES **P1** USING BOLT **H2** AS SHOWN.



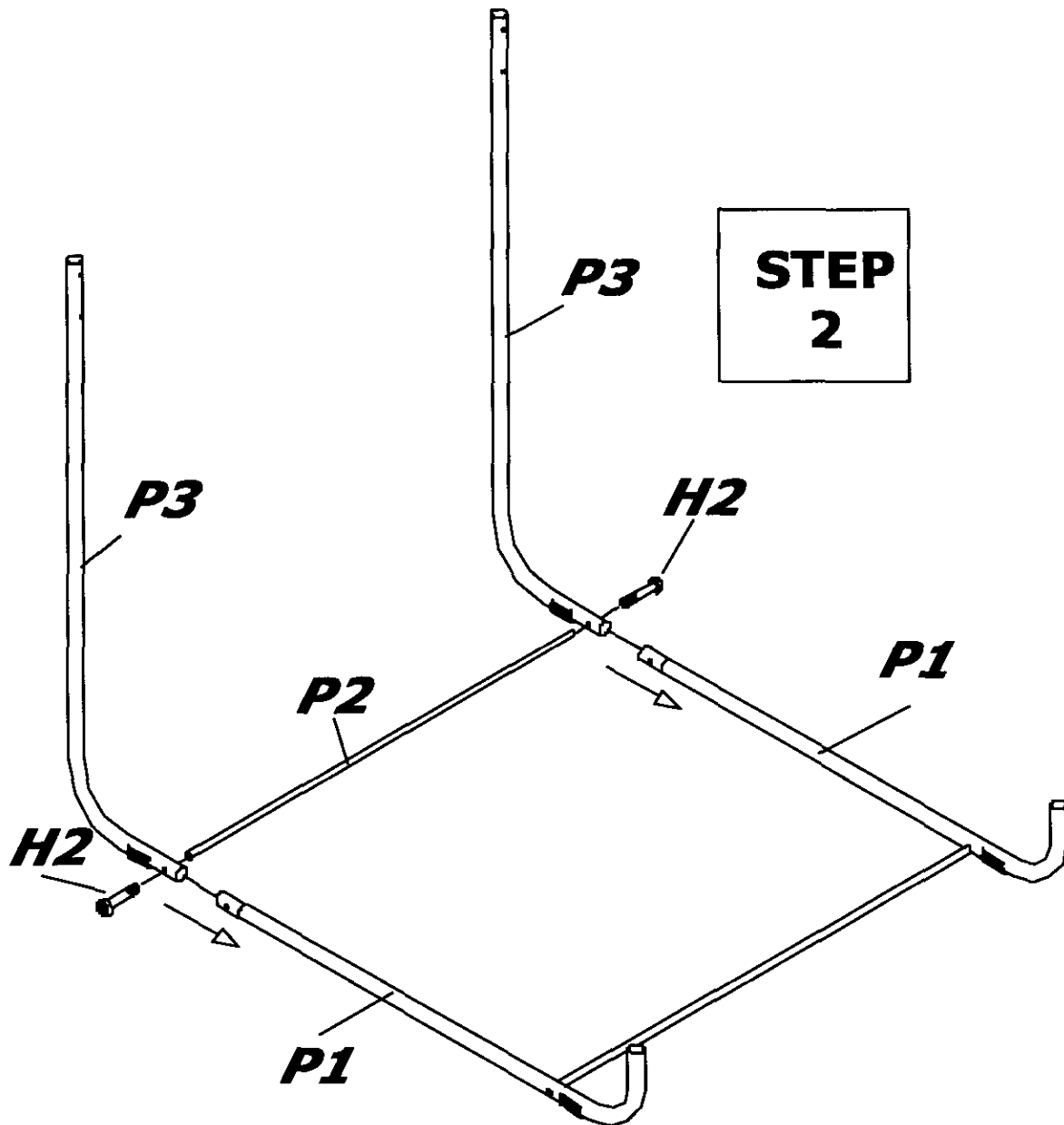
For Customer Service Call 888-996-2729

# ASSEMBLY INSTRUCTIONS

## GAME ASSEMBLY

WARNING: TWO ADULTS NEEDED TO ASSEMBLE FOOTBALL GAME

- 2 SLIDE UPRIGHT TUBES **P3** ONTO THE BASE TUBES **P1** AND ATTACH WITH SUPPORT TUBE **P2** AND BOLTS **H2**.



For Customer Service Call 888-996-2729

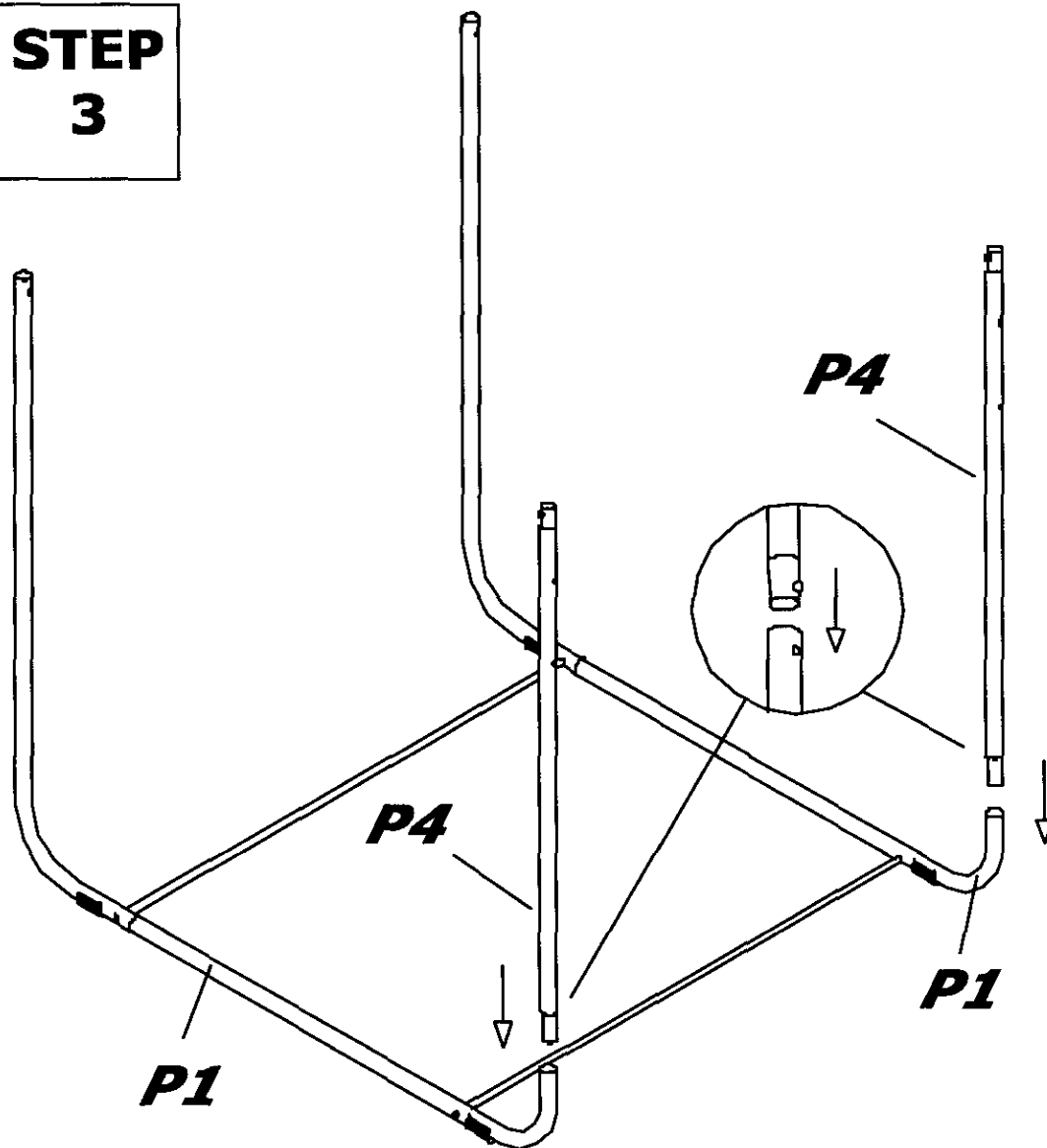
# ASSEMBLY INSTRUCTIONS

## GAME ASSEMBLY

WARNING: TWO ADULTS NEEDED TO ASSEMBLE FOOTBALL GAME

- 3 SNAP THE TWO FRONT SUPPORT TUBES **P4** TO THE FRONT ENDS OF THE BASE TUBES **P1** AS SHOWN.

**STEP  
3**



For Customer Service Call 888-996-2729

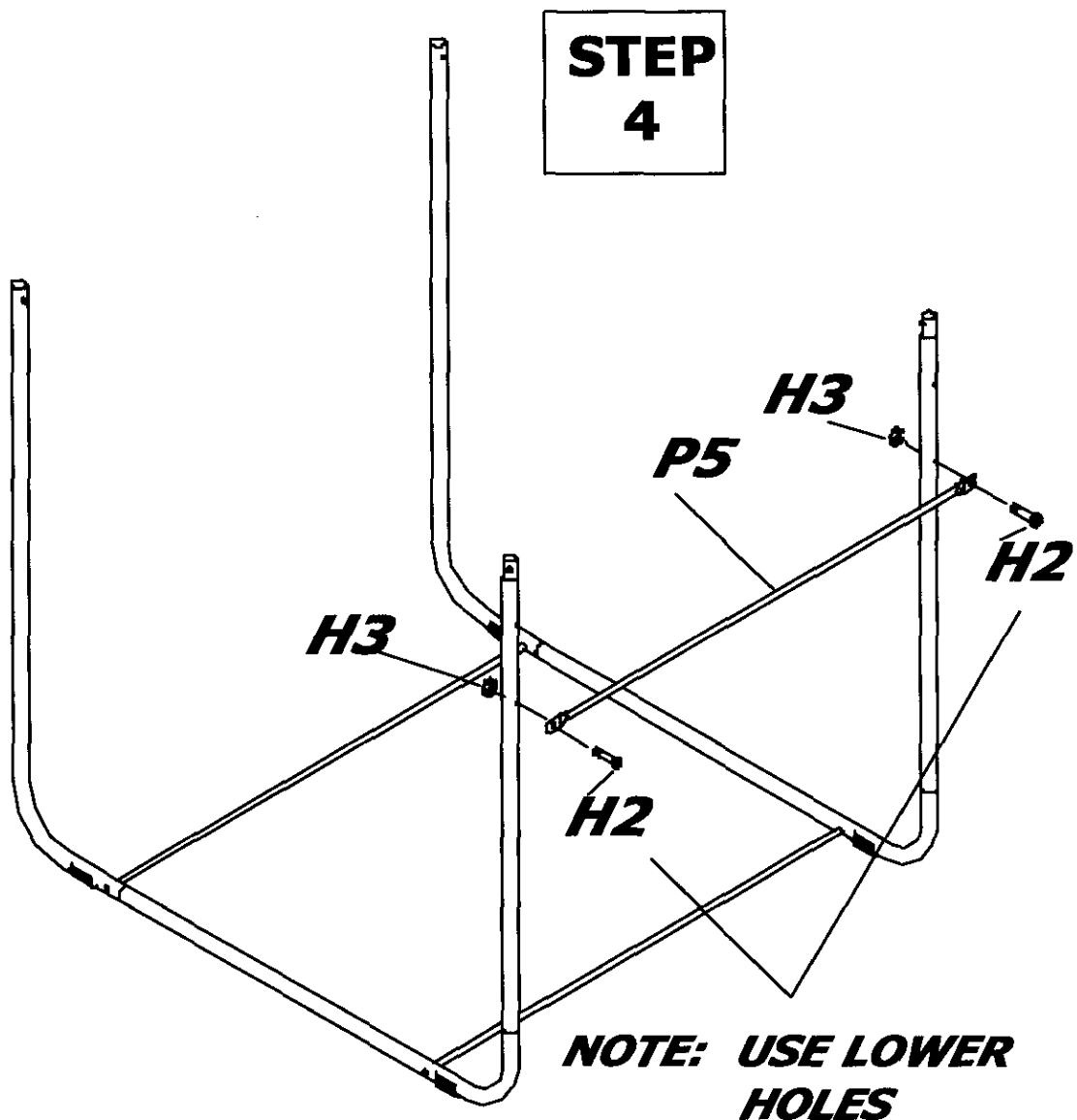


# ASSEMBLY INSTRUCTIONS

## GAME ASSEMBLY

WARNING: TWO ADULTS NEEDED TO ASSEMBLE FOOTBALL GAME

- 4 ATTACH SUPPORT TUBE **P5** IN THE LOWER SET OF HOLES AS SHOWN USING BOLTS **H2** AND NUTS **H3**.



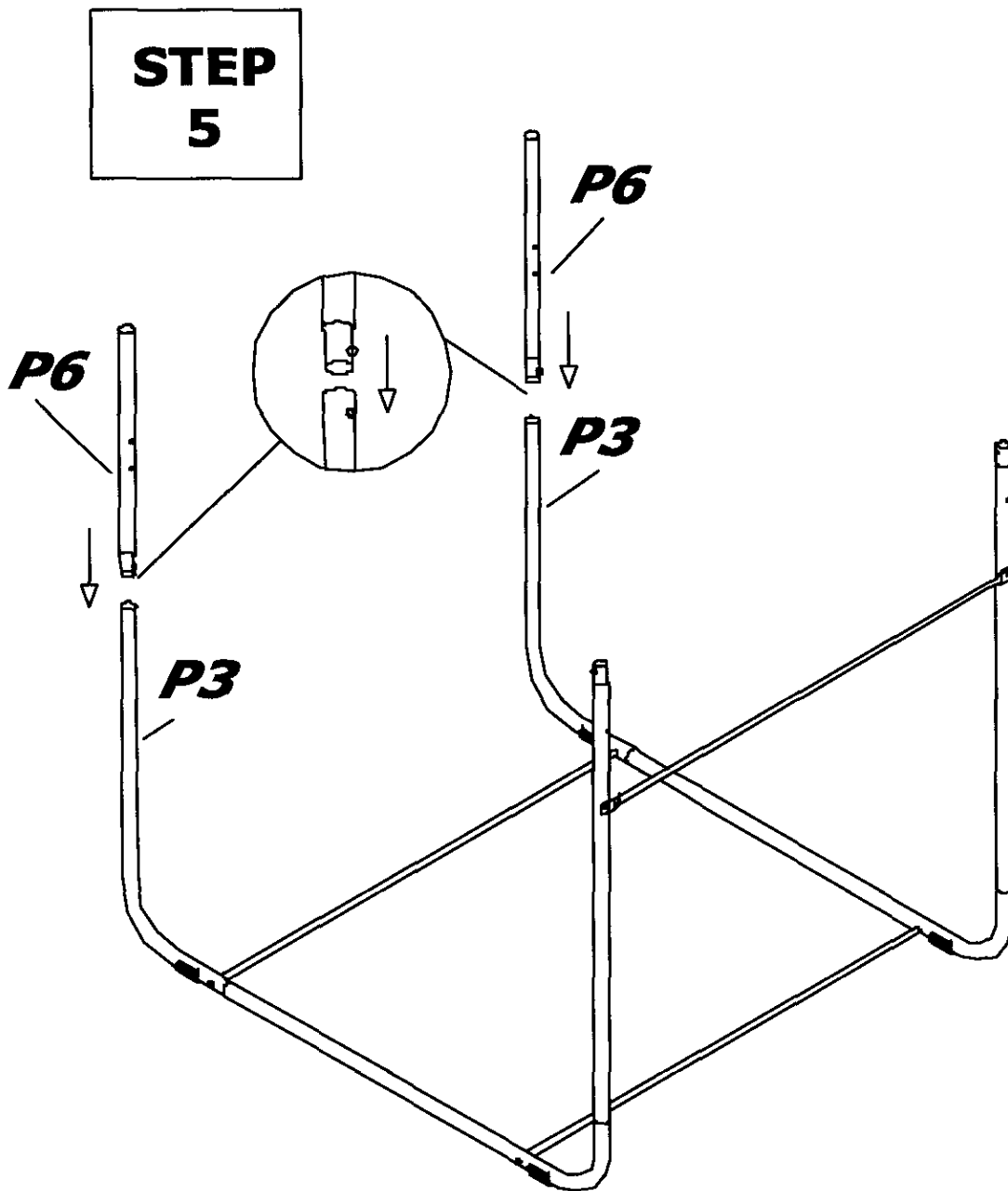
For Customer Service Call 888-996-2729

# ASSEMBLY INSTRUCTIONS

## GAME ASSEMBLY

WARNING: TWO ADULTS NEEDED TO ASSEMBLE FOOTBALL GAME

5 SNAP TUBE **P6** TO THE END OF TUBE **P3**  
AS SHOWN.



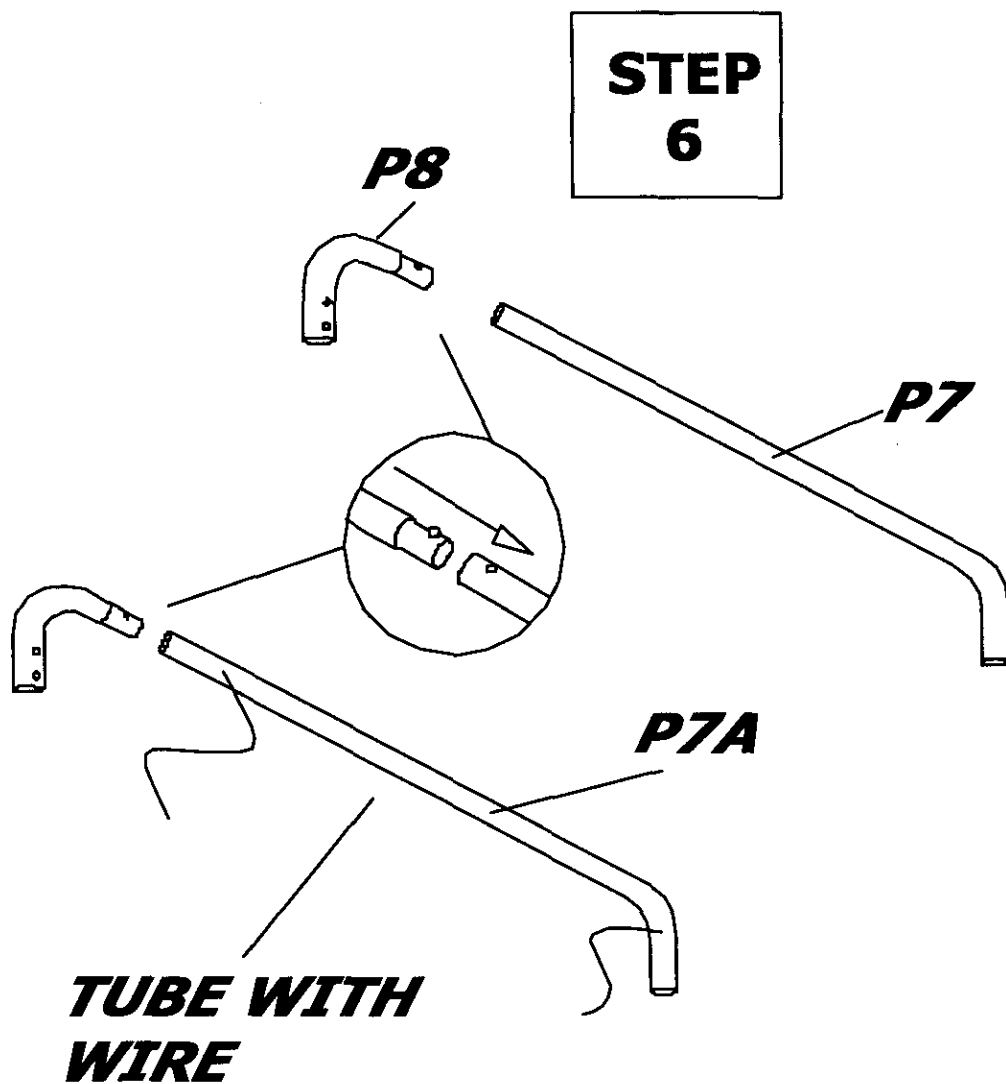
For Customer Service Call 888-996-2729

# ASSEMBLY INSTRUCTIONS

## GAME ASSEMBLY

WARNING: TWO ADULTS NEEDED TO ASSEMBLE FOOTBALL GAME

6 SNAP TUBE **P8** TO THE END OF TUBES **P7**  
AND **P7A** AS SHOWN.



For Customer Service Call 888-996-2729

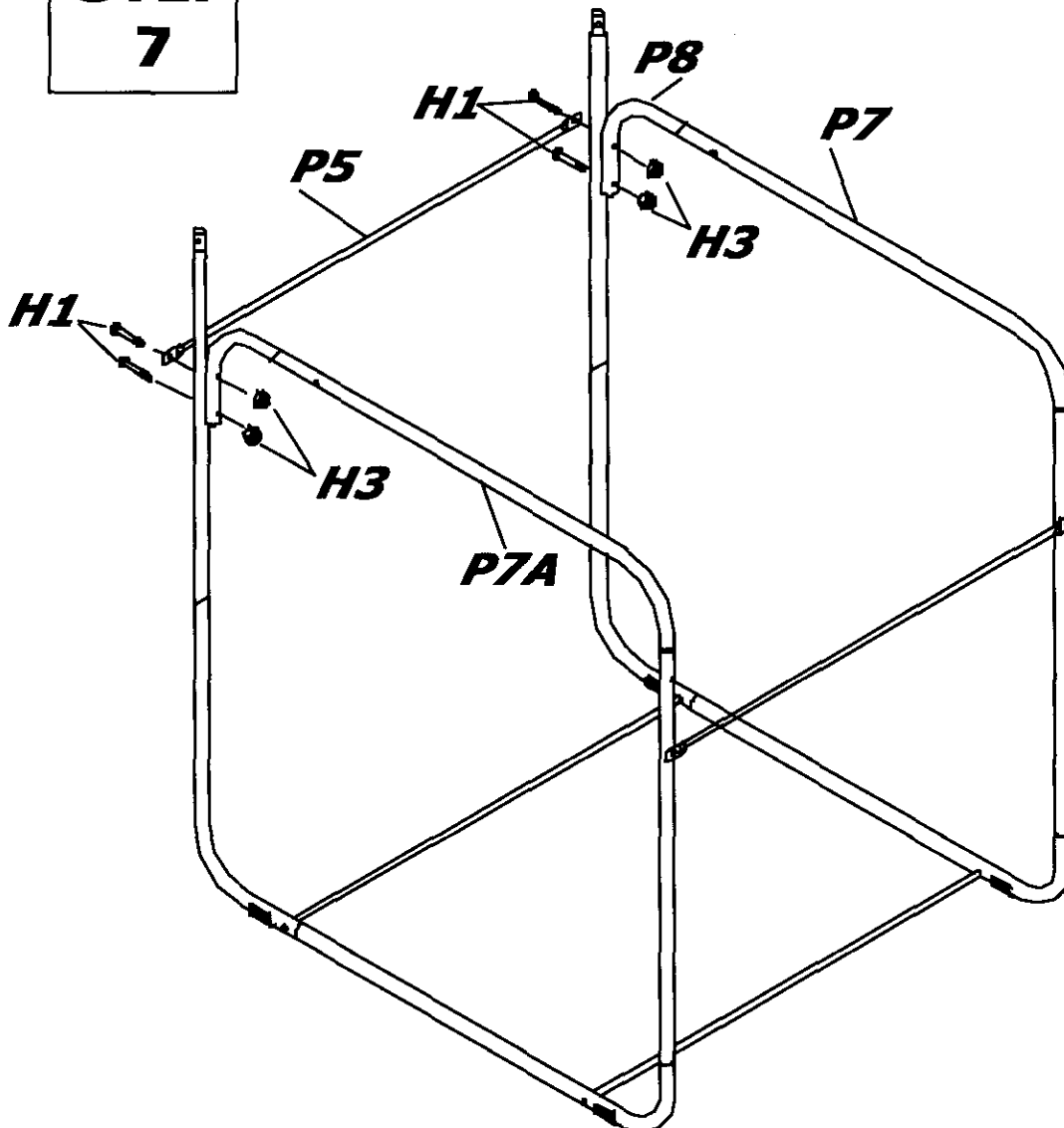
# ASSEMBLY INSTRUCTIONS

## GAME ASSEMBLY

WARNING: TWO ADULTS NEEDED TO ASSEMBLE FOOTBALL GAME

- 7 ATTACH TUBE **P5** AND THE ASSEMBLIES MADE IN **STEP 6** TO THE FRAME AS SHOWN BELOW. MAKE SURE **P7A** IS ON THE LEFT AS SHOWN. ATTACH TO THE UPRIGHTS USING BOLTS **H1** AND NUTS **H3**.

**STEP**  
**7**



For Customer Service Call 888-996-2729

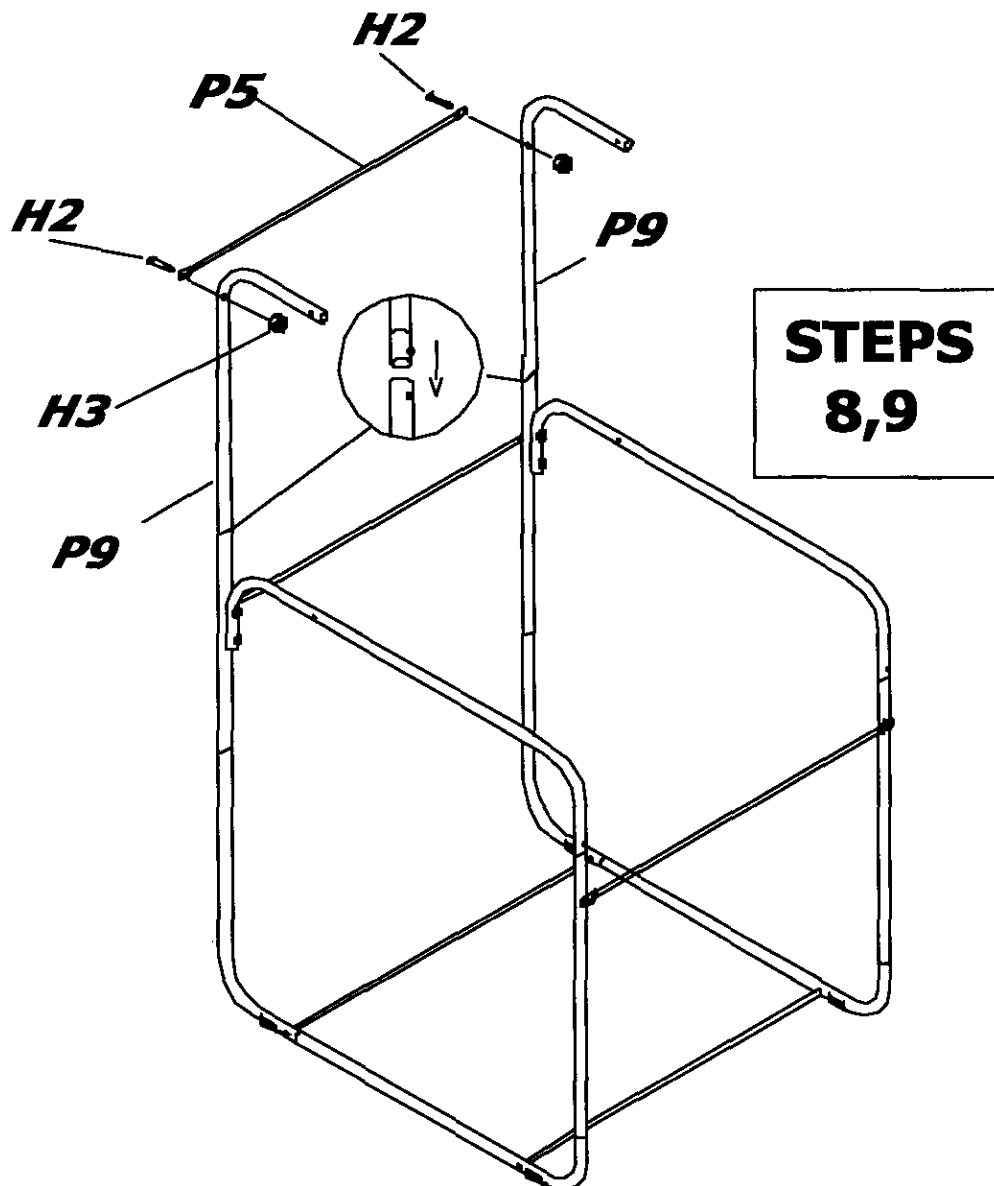
# ASSEMBLY INSTRUCTIONS

## GAME ASSEMBLY

WARNING: TWO ADULTS NEEDED TO ASSEMBLE FOOTBALL GAME

8 SNAP TUBES **P9** ONTO THE ASSEMBLY AS SHOW.

9 ATTACH TUBE **P5** TO THE TOP OF TUBES **P9** USING BOLTS **H2** AND NUTS **H3**.



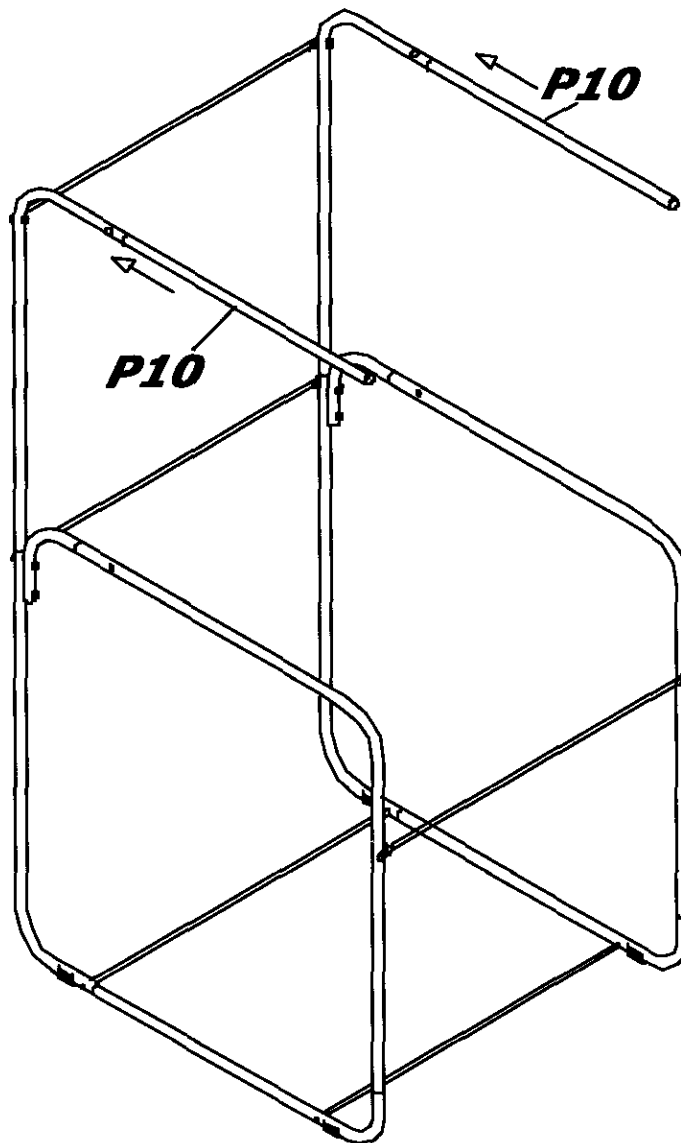
For Customer Service Call 888-996-2729

# ASSEMBLY INSTRUCTIONS

## GAME ASSEMBLY

WARNING: TWO ADULTS NEEDED TO ASSEMBLE FOOTBALL GAME

- 10 SLIDE TUBES **P10** INTO THE FRAME AT THE TOP AS SHOWN.



**STEP  
10**

For Customer Service Call 888-996-2729

# ASSEMBLY INSTRUCTIONS

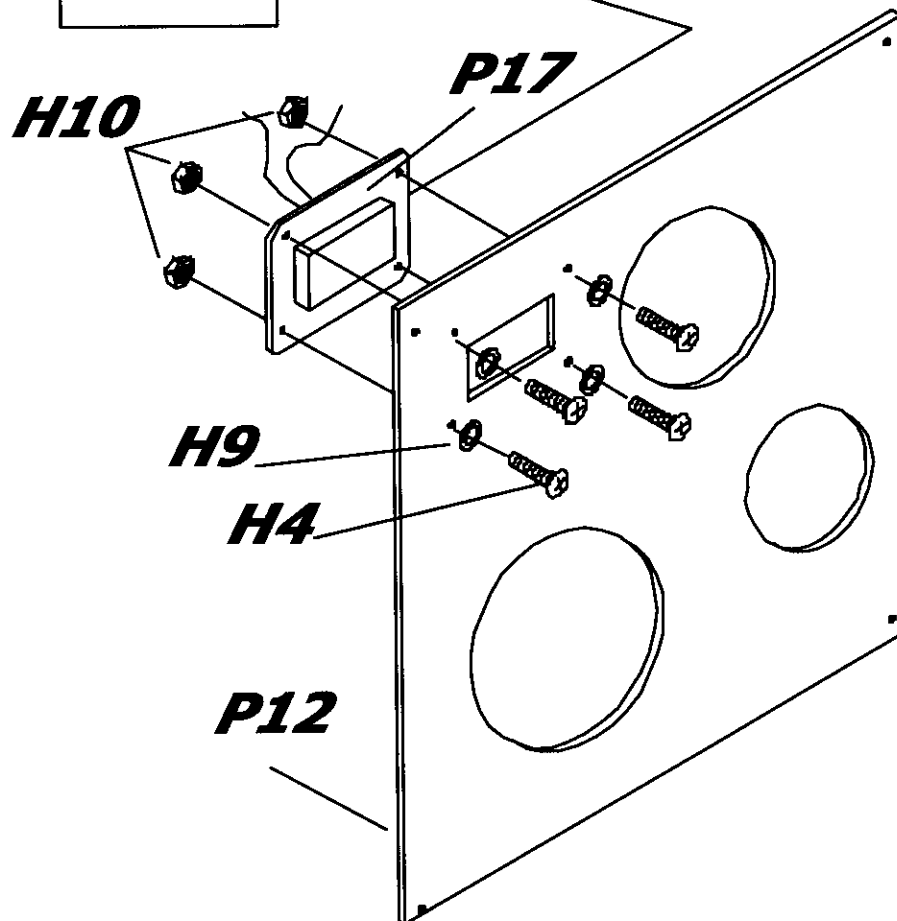
## GAME ASSEMBLY

WARNING: TWO ADULTS NEEDED TO ASSEMBLE FOOTBALL GAME

- 11 ATTACH THE ELECTRONICS **P17** TO THE BACKBOARD **P12** USING BOLTS **H4** WASHERS **H9** AND NUTS **H10**.

**STEP  
11**

NOTE: FOAM PAD IS  
BETWEEN ELECTRONICS  
AND THE BOARD.



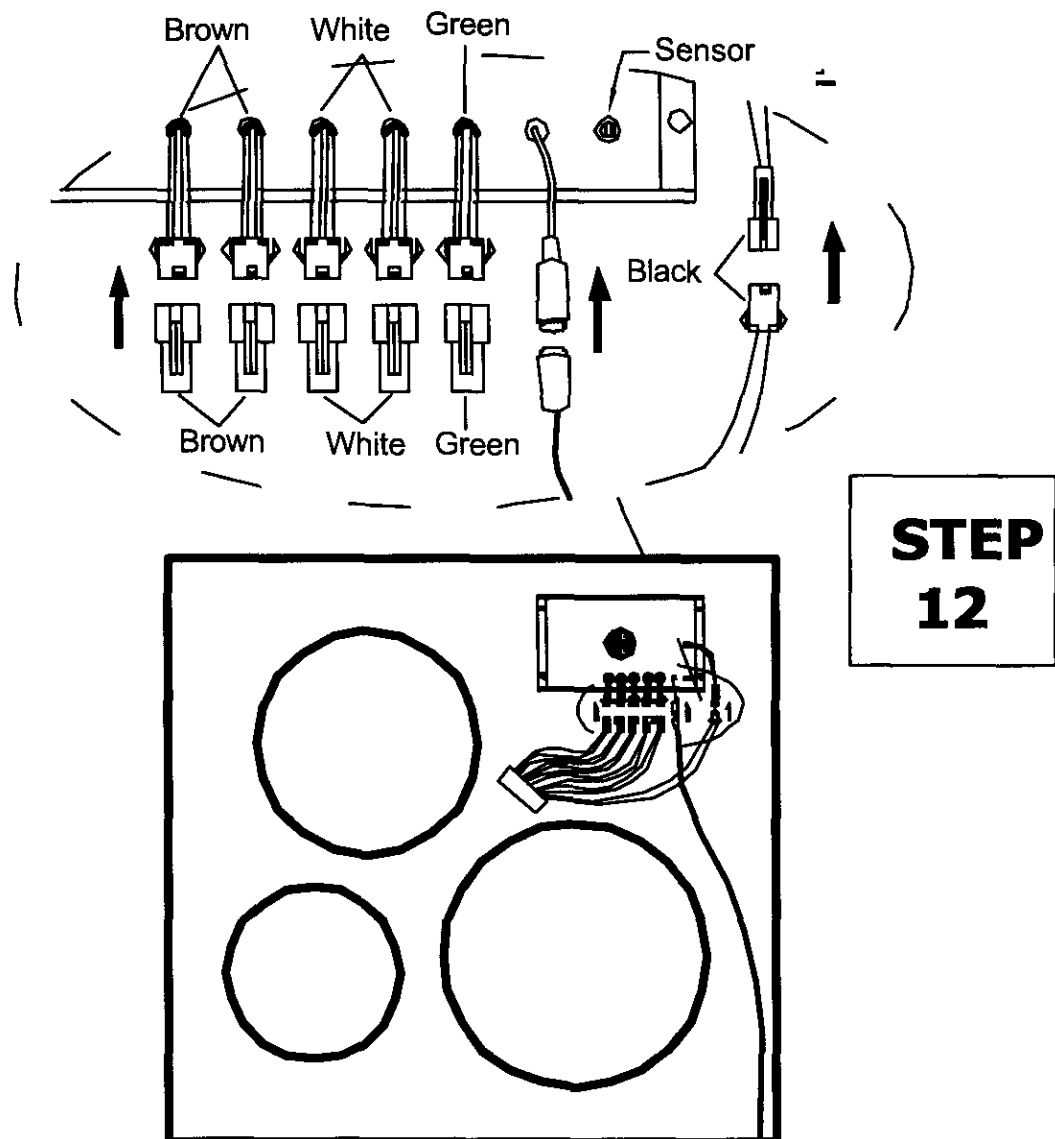
For Customer Service Call 888-996-2729

# ASSEMBLY INSTRUCTIONS

## GAME ASSEMBLY

**WARNING: TWO ADULTS NEEDED TO ASSEMBLE FOOTBALL GAME**

- 12 ATTACH THE WIRES AS SHOWN IN THE DIAGRAM BELOW. THE ORDER DOES NOT MATTER ON THE BROWN AND WHITE WIRES AS LONG AS YOU MATCH THE COLORS.



For Customer Service Call 888-996-2729

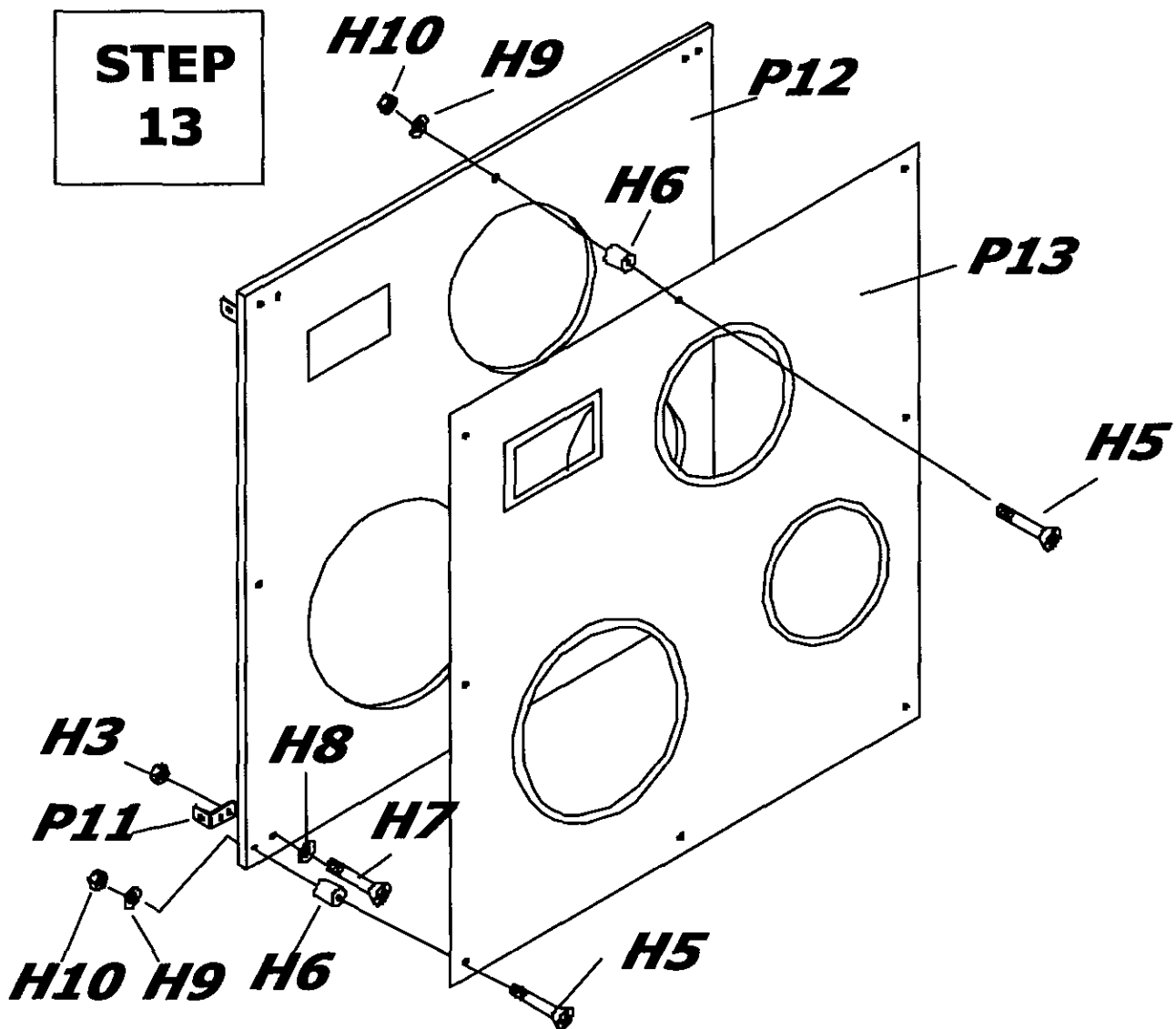


# ASSEMBLY INSTRUCTIONS

## GAME ASSEMBLY

**WARNING: TWO ADULTS NEEDED TO ASSEMBLE FOOTBALL GAME**

- 13 ATTACH BOARD BRACKETS **P11** TO THE BOARD AS SHOWN BELOW. THE LONGER SIDE OF THE BRACKET IS ATTACHED TO THE BOARD. ATTACH THE CLOTH FACE **P13** TO THE BACKBOARD **P12** WITH THE GRAPHICS FACING OUT. ATTACH THE FACE WITH 8 BOLTS **H5**, 8 PLASTIC SPACERS **H6**, 8 WASHERS **H9** AND 8 NUTS **H10** AS SHOWN BELOW.



For Customer Service Call 888-996-2729

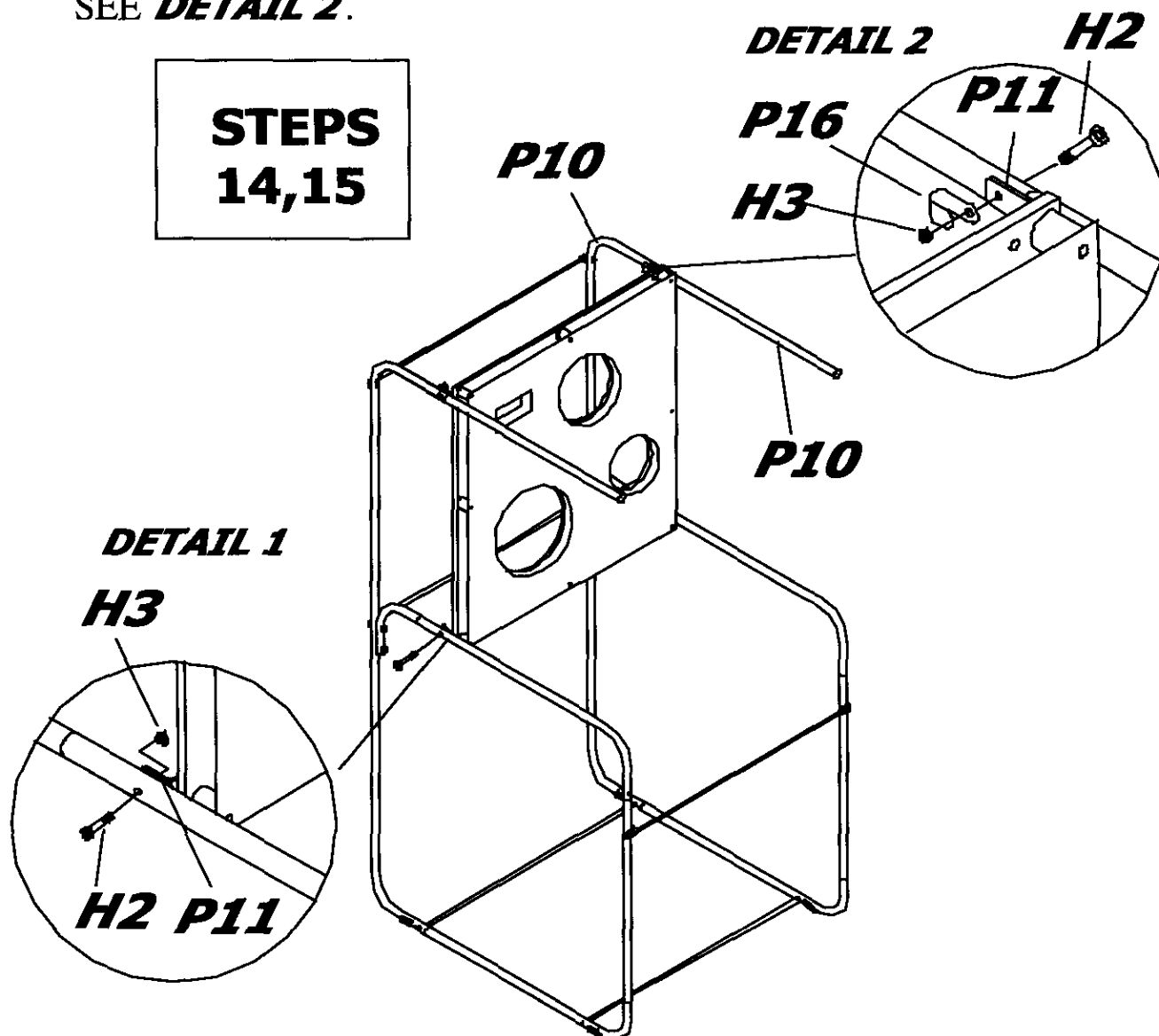
# ASSEMBLY INSTRUCTIONS

## GAME ASSEMBLY

**WARNING: TWO ADULTS NEEDED TO ASSEMBLE FOOTBALL GAME**

14 WITH THE HELP OF ANOTHER ADULT, LIFT THE BACK-BOARD ASSEMBLY INTO POSITION. ATTACH THE LOWER BRACKETS TO THE FRAME USING 2 BOLTS **H2**, 2 NUTS **H3**. SEE **DETAIL 1**.

15 ATTACH THE UPPER BRACKETS TO THE FRAME USING 2 BOLTS **H2**, 2 RAMP NET HOOKS **P16** AND 2 NUTS **H3**. SEE **DETAIL 2**.



For Customer Service Call 888-996-2729

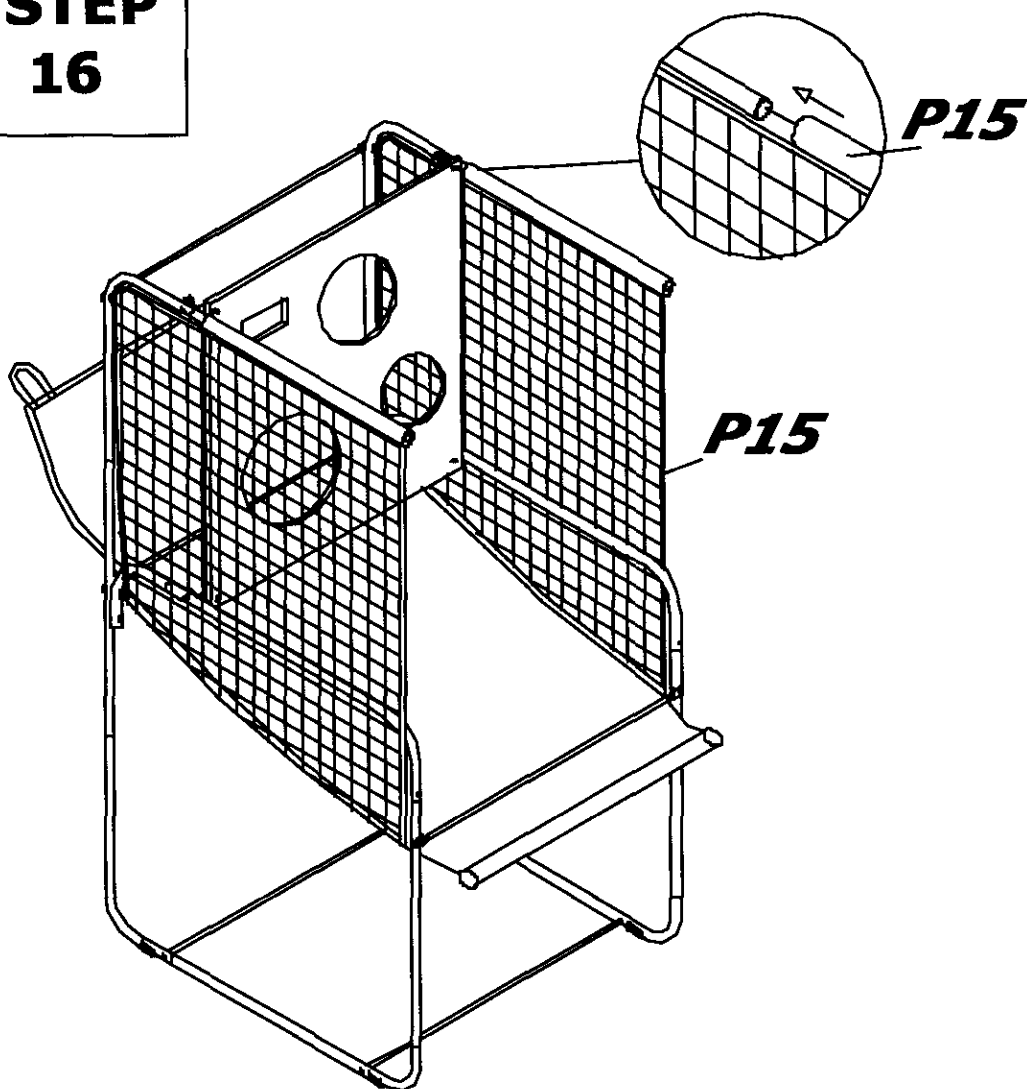
# ASSEMBLY INSTRUCTIONS

## GAME ASSEMBLY

WARNING: TWO ADULTS NEEDED TO ASSEMBLE FOOTBALL GAME

- 16 ATTACH THE RAMP NET **P15** AS SHOWN BELOW BY FIRST SLIDING THE NET OVER THE TOP TUBES **P10**.

**STEP  
16**



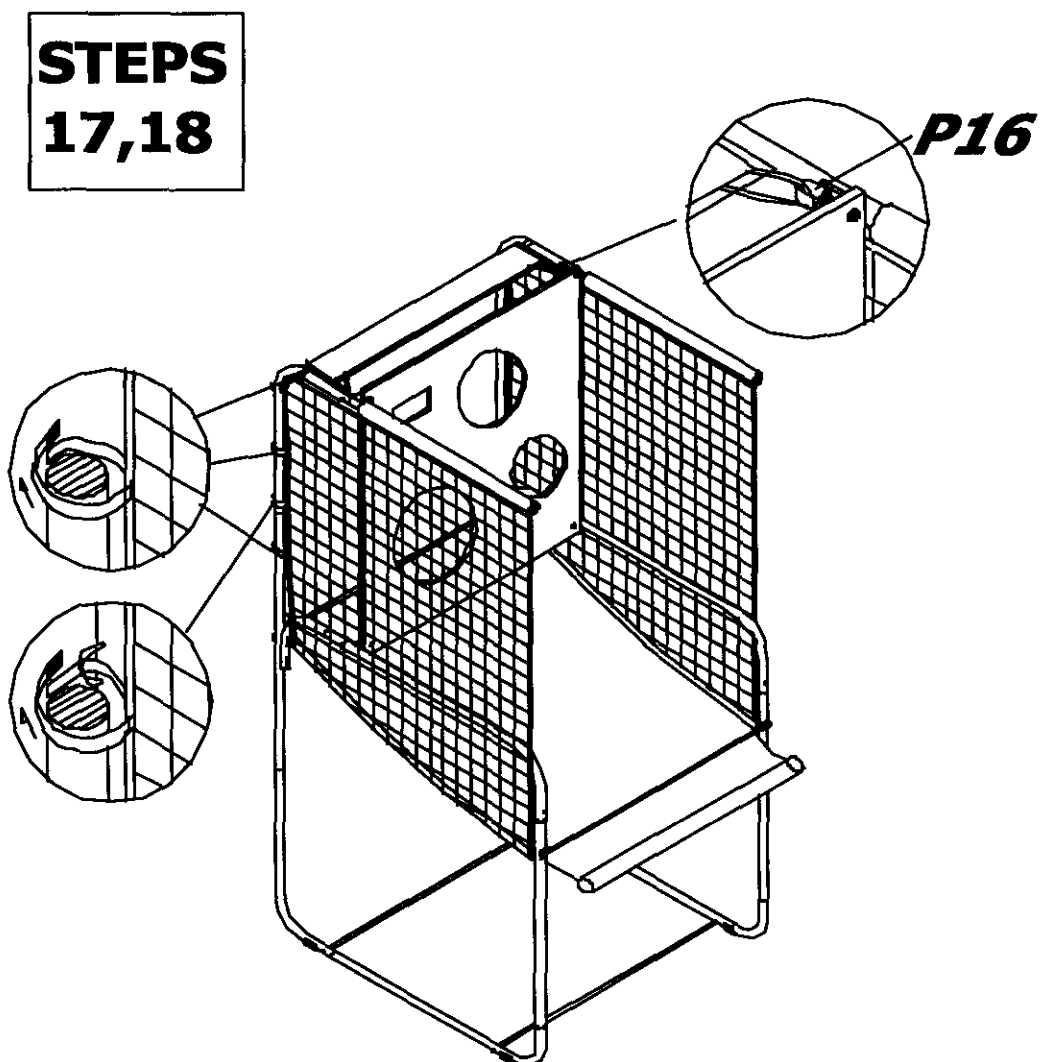
For Customer Service Call 888-996-2729

# ASSEMBLY INSTRUCTIONS

## GAME ASSEMBLY

WARNING: TWO ADULTS NEEDED TO ASSEMBLE FOOTBALL GAME

- 17 ATTACH THE BACK OF THE RAMP NET USING VELCRO STRAPS AS SHOWN BELOW.
- 18 ATTACH THE TOP OF THE RAMP NET BEHIND BOTH TUBES **P5** AND HOOK THE ELASTIC LOOPS AROUND HOOKS **P16**.



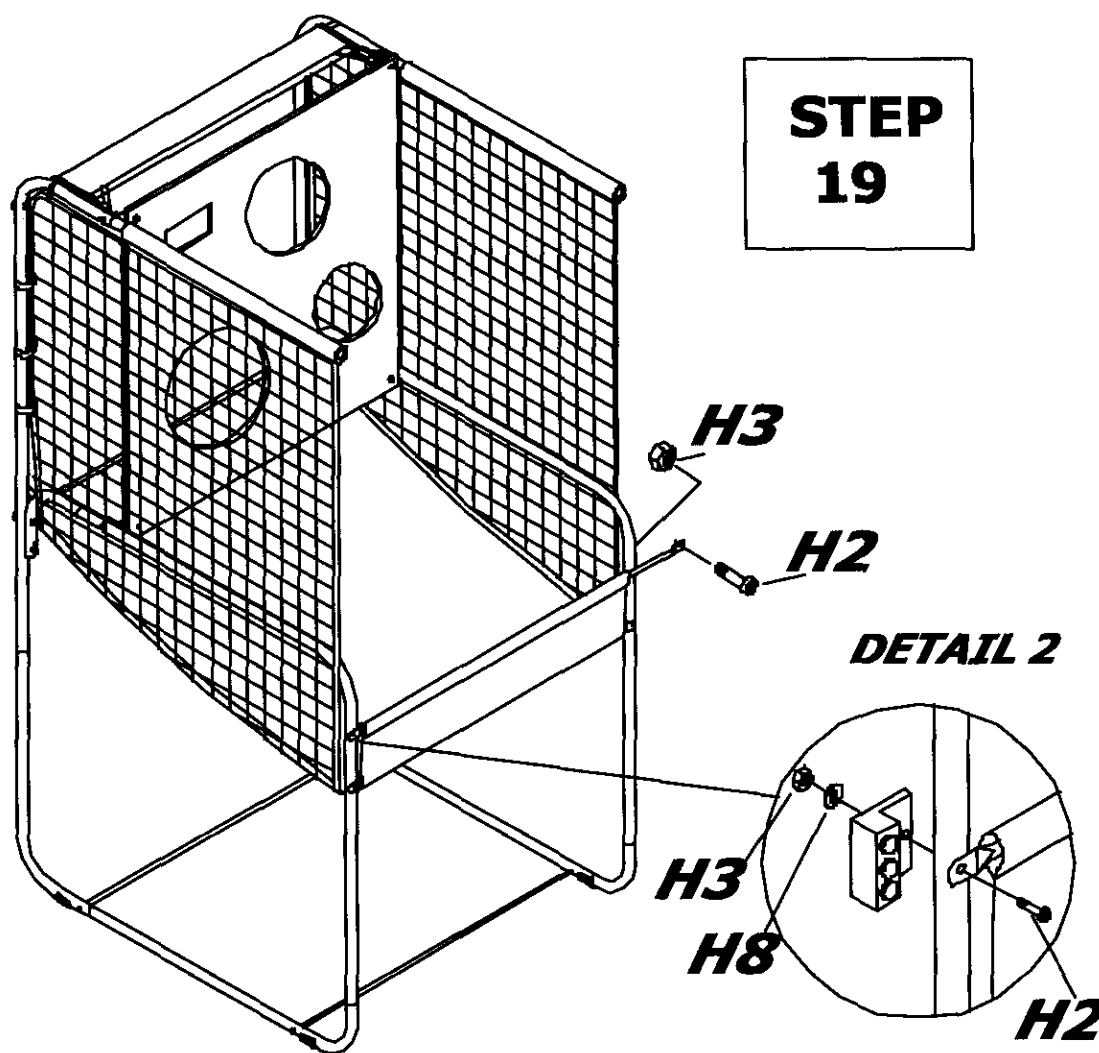
For Customer Service Call 888-996-2729

# ASSEMBLY INSTRUCTIONS

## GAME ASSEMBLY

WARNING: TWO ADULTS NEEDED TO ASSEMBLE FOOTBALL GAME

- 19 SLIDE TUBE **P5** THROUGH FRONT OF RAMP NET AS SHOWN. MAKE SURE YOU LOOP RAMP UNDER **P5** PREVIOUSLY INSTALLED. ON THE RIGHT SIDE ATTACH WITH BOLT **H2** AND NUT **H3**. ON THE LEFT SIDE ATTACH WITH BOLT **H2**, SWITCH **P14**, WASHER **H8** AND NUT **H3** AS SHOWN IN **DETAIL 2**. PLUG WIRE FROM **P7A** INTO BACK OF THE SWITCH.



For Customer Service Call 888-996-2729

# ASSEMBLY INSTRUCTIONS

## GAME OPERATION

After your assembly is complete, make sure you have all wire connections completely plugged in on the board and the switch. Next, plug the adapter into a suitable 110v outlet and plug the other end into the back of the switch.

Find the ON / OFF button on the switch and turn the unit on. At this time, the electronic scorer will light up and begin making noise. Before you begin playing you will want to test the sensitivity of the shock sensors on the unit. First, turn the sensitivity knob on the back of the scoring unit to low. Next, throw a ball at the cloth face intentionally missing one of the holes. When you hit the backboard and miss a hole the unit should register the throw as a "down". If it does not register, turn the adjustment knob one click towards high and re-test. Repeat test until it registers only one "down" when the ball hits the board. This option is available because different players will throw the ball with different amounts of force. You want a missed shot to count as a "down" for all players so it will need to be adjusted for different throwing styles.

Please refer to the Game Operation Manual for rules on how to play the game.

## REPLACEMENT PARTS

<b>C1</b>	WIRE SET FOR SMALL HOLE	1
-----------	-------------------------	---

<b>C2</b>	WIRE SET FOR MEDIUM HOLE	1
-----------	--------------------------	---

<b>C3</b>	WIRE SET FOR LARGE HOLE	1
-----------	-------------------------	---

<b>C4</b>	GAME OPERATION MANUAL	1
-----------	-----------------------	---

For Customer Service Call 888-996-2729

---

## *FOOTBALL GAME*

---

*THIS PRODUCT INTENDED  
FOR INDOOR USE ONLY.*

THIS PRODUCT IS INTENDED FOR INDOOR USE ONLY.

YOU MAY NEED TO MOVE THE UNIT IF IT DOES NOT PERFORM CORRECTLY. SUNLIGHT OR HALOGEN LIGHTING MAY HAVE AN EFFECT ON THE INFARED SENSORS PERFORMANCE. THE UNIT MAY NOT WORK CORRECTLY IF USED OUTDOORS, IN A GARAGE, OR ON A PATIO.

TURN UNIT OFF AND UNPLUG WHEN NOT IN USE.

THIS IS AN ELECTRICLY OPERATED PRODUCT. DO NOT USE OR OPERATE THIS UNIT NEAR WATER.

DO NOT HANG OR CLIMB ON UNIT. THE RAMP NET WILL NOT SUPPORT THE WEIGHT OF A PERSON.

*THIS PRODUCT INTENDED  
FOR INDOOR USE ONLY.*