

# 29 IN. (73.7 CM) ELECTRIC DRYER INSTALLATION INSTRUCTIONS

## INSTRUCTIONS POUR L'INSTALLATION DE LA SÈCHEUSE ÉLECTRIQUE DE 29 PO (73,7 CM)

### Table of Contents / Table des Matières

|  |    |   |    |
|--|----|---|----|
| <b>DRYER SAFETY</b> .....              | 1  | <b>SÉCURITÉ DE LA SÈCHEUSE</b> .....        | 13 |
| <b>INSTALLATION INSTRUCTIONS</b> ..... | 2  | <b>INSTRUCTIONS D'INSTALLATION</b> .....    | 13 |
| Tools and Parts.....                   | 2  | Outillage et pièces nécessaires .....       | 13 |
| Location Requirements .....            | 2  | Emplacement d'installation .....            | 14 |
| Electrical Requirements.....           | 3  | Spécifications électriques.....             | 15 |
| Electrical Connection.....             | 5  | Exigences concernant l'évacuation.....      | 16 |
| Venting Requirements .....             | 9  | Planification du système d'évacuation.....  | 16 |
| Plan Vent System.....                  | 9  | Installation du conduit d'évacuation.....   | 18 |
| Install Vent System .....              | 11 | Installation des pieds de nivellement ..... | 18 |
| Install Leveling Legs .....            | 11 | Mise à niveau de la sècheuse.....           | 18 |
| Level Dryer .....                      | 11 | Conduit d'évacuation.....                   | 18 |
| Connect Vent.....                      | 11 | Inversion de l'ouverture de la porte.....   | 19 |
| Reverse Door Swing (Optional) .....    | 11 | Achever l'installation .....                | 20 |
| Complete Installation .....            | 12 |   |    |

## DRYER SAFETY

### Your safety and the safety of others are very important.

We have provided many important safety messages in this manual and on your appliance. Always read and obey all safety messages.



This is the safety alert symbol.

This symbol alerts you to potential hazards that can kill or hurt you and others.

All safety messages will follow the safety alert symbol and either the word "DANGER" or "WARNING."

These words mean:

**⚠ DANGER**

You can be killed or seriously injured if you don't immediately follow instructions.

**⚠ WARNING**

You can be killed or seriously injured if you don't follow instructions.

All safety messages will tell you what the potential hazard is, tell you how to reduce the chance of injury, and tell you what can happen if the instructions are not followed.

# INSTALLATION INSTRUCTIONS

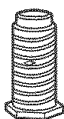
## Tools and Parts

Check that you have everything necessary for correct installation. Proper installation is your responsibility.

- Flat-blade screwdriver
- Adjustable wrench that opens to 1 in. (2.54 cm) or hex-head socket wrench (for adjusting dryer feet)
- Level
- Wire stripper (For U.S. only, direct wire installations)
- #2 Phillips screwdriver
- Safety glasses
- Vent clamps
- Caulking gun and compound (for installing new exhaust vent)
- Gloves
- Tin snips (new vent installations)

### Parts supplied:

Remove parts package from dryer drum. Check that all parts were included.



4 leveling legs

### Parts needed:

Check local codes, check existing electrical supply and venting and see "Electrical Requirements" and "Venting Requirements" before purchasing parts.

Mobile home installations require metal exhaust system hardware available for purchase from the dealer from whom you purchased your dryer. For further information, please reference the front page of your "Dryer User Instructions."

## Location Requirements

### WARNING



#### Explosion Hazard

Keep flammable materials and vapors, such as gasoline, away from dryer.

Place dryer at least 18 inches (46 cm) above the floor for a garage installation.

Failure to do so can result in death, explosion, or fire.

### You will need

- A location that allows for proper exhaust installation. See "Venting Requirements."
- A separate 30 amp circuit.
- A grounded electrical outlet located within 2 ft (61 cm) of either side of the dryer. See "Electrical Requirements."

- A sturdy floor to support the dryer and a total weight (dryer and load) of 200 lb (90.7 kg). The combined weight of a companion appliance should also be considered.
- A level floor with a maximum slope of 1 in. (2.5 cm) under entire dryer. (If slope is greater than 1 in. [2.5 cm], install Extended Dryer Feet Kit, Part No. 279810.) Clothes may not tumble properly and models with automatic sensor cycles may not operate correctly if dryer is not level.

Do not operate your dryer at temperatures below 45°F (7°C). At lower temperatures, the dryer might not shut off at the end of an automatic cycle. Drying times can be extended.

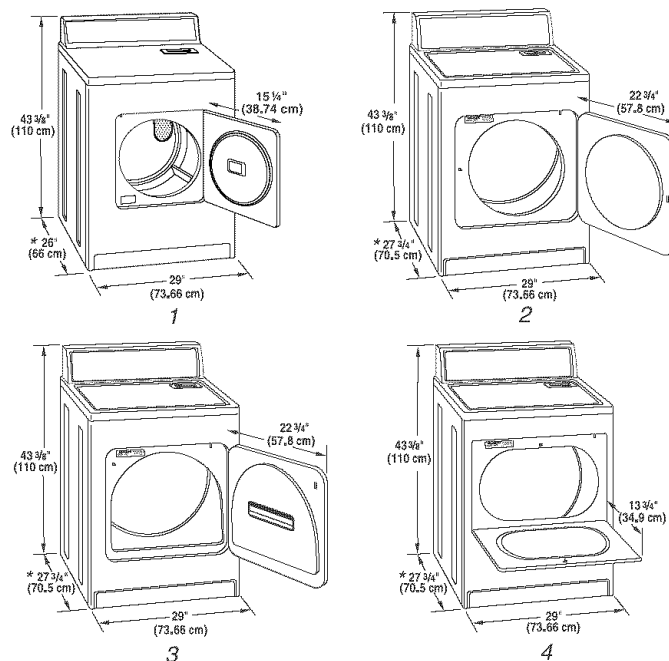
Install the dryer where it is protected from water and/or weather.

Check code requirements. Some codes limit, or do not permit, installation of the dryer in garages, closets, mobile homes, or sleeping quarters. Contact your local building inspector.

### Installation Clearances

The location must be large enough to allow the dryer door to open fully.

### Dryer Dimensions



1. Small Opening Side-Swing Door
2. Large Opening Side-Swing Door
3. Wide Opening Side-Swing Door
4. Wide Opening Hamper Door

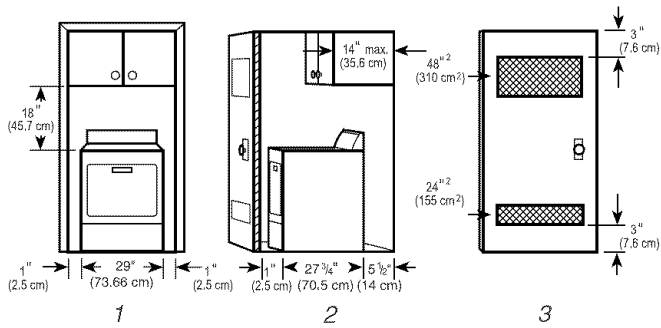
\* Most installations require a minimum 5½ in. (14 cm) clearance behind the dryer for the exhaust vent with elbow. See "Venting Requirements."

### Minimum installation spacing for recessed area or closet installation

The dimensions shown following are for the minimum spacing allowed.

- Additional spacing should be considered for ease of installation and servicing.
- Additional clearances might be required for wall, door and floor moldings.
- Additional spacing of 1 in. (2.5 cm) on all sides of the dryer is recommended to reduce noise transfer.

- For closet installation, with a door, minimum ventilation openings in the top and bottom of the door are required. Louvered doors with equivalent ventilation openings are acceptable.
- Companion appliance spacing should also be considered.



1. Recessed area
2. Side view - closet or confined area
3. Closet door with vents

### Mobile Home-Additional Installation Requirements

This dryer is suitable for mobile home installations. The installation must conform to the Manufactured Home Construction and Safety Standard, Title 24 CFR, Part 3280 (formerly the Federal Standard for Mobile Home Construction and Safety, Title 24, HUD Part 280) or the Canadian Manufactured Home Standard, CAN/CSA-Z240 MH.

#### Mobile home installations require:

- Metal exhaust system hardware which is available for purchase from your dealer.
- Special provisions must be made in mobile homes to introduce outside air into the dryer. The opening (such as a nearby window) should be at least twice as large as the dryer exhaust opening.

## Electrical Requirements

### In Canada

## WARNING



### Electrical Shock Hazard

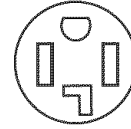
Plug into a grounded 4 prong outlet.

Failure to do so can result in death or electrical shock.

### It is your responsibility

- To contact a qualified electrical installer.
- To be sure that the electrical connection is adequate and in conformance with the Canadian Electrical Code, C22.1-latest edition and all local codes. A copy of the above codes standard may be obtained from: Canadian Standards Association, 178 Rexdale Blvd., Toronto, ON M9W 1R3 CANADA.

- To supply the required 4-wire, single phase, 115/230-volt, 60-Hz., AC-only electrical supply on a separate 30-amp circuit, fused on both sides of the line. A time-delay fuse or circuit breaker is recommended. Connect to an individual branch circuit.
- This dryer is equipped with a CSA International Certified Power Cord intended to be plugged into a standard 14-30R wall receptacle. The cord is 5 ft (1.52 m) in length. Be sure wall receptacle is within reach of dryer's final location.



4-wire receptacle 14-30R

- Do not use an extension cord.

If using a replacement power supply cord, it is recommended that you use Power Supply Cord Replacement Part Number 9831317. For further information, please reference the service numbers located in your "Dryer User Instructions."

## GROUNDING INSTRUCTIONS

- For a grounded, cord-connected dryer:  
This dryer must be grounded. In the event of malfunction or breakdown, grounding will reduce the risk of electric shock by providing a path of least resistance for electric current. This dryer is equipped with a cord having an equipment-grounding conductor and a grounding plug. The plug must be plugged into an appropriate outlet that is properly installed and grounded in accordance with all local codes and ordinances.

**WARNING:** Improper connection of the equipment-grounding conductor can result in a risk of electric shock. Check with a qualified electrician or service representative or personnel if you are in doubt as to whether the dryer is properly grounded. Do not modify the plug provided with the dryer: if it will not fit the outlet, have a proper outlet installed by a qualified electrician.

## SAVE THESE INSTRUCTIONS

---

## In the U.S.A.

---

### It is your responsibility

- To contact a qualified electrical installer.
- To be sure that the electrical connection is adequate and in conformance with the National Electrical Code, ANSI/NFPA 70-latest edition and all local codes and ordinances.  
  
A copy of the above code standards can be obtained from: National Fire Protection Association, Batterymarch Park, Quincy, MA 02269.
- To supply the required 3 or 4-wire, single phase, 120/240-volt, 60-Hz., AC-only electrical supply (or 3 or 4-wire, 120/208-volt electrical supply, if specified on the serial/rating plate) on a separate 30-amp circuit, fused on both sides of the line. A time-delay fuse or circuit breaker is recommended. Connect to an individual branch circuit. Do not have a fuse in the neutral or grounding circuit.
- Do not use an extension cord.
- If codes permit and a separate ground wire is used, it is recommended that a qualified electrician determine that the ground path is adequate.

### Electrical Connection

To properly install your dryer, you must determine the type of electrical connection you will be using and follow the instructions provided for it here.

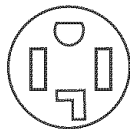
- If local codes do not permit the connection of a cabinet ground connector to the neutral wire, see "Optional 3-wire connection" section.
- This dryer is manufactured with a 3-wire, cabinet-ground conductor connected to the NEUTRAL (white or center wire) of the wiring harness at the terminal block.
- Use a 4-wire conductor cord when the dryer is installed in a mobile home or an area where local codes do not permit grounding through the neutral.

### If using a power supply cord:

Use a UL approved power supply cord kit marked for use with clothes dryers. The kit should contain:

- A UL approved 30 amp power supply cord, rated 120/240 volt minimum. The cord should be type SRD or SRDT and be at least 4 ft (1.22 m) long. The wires that connect to the dryer must end in ring terminals or spade terminals with upturned ends.
- A UL approved strain relief.

### If your outlet looks like this:



4-wire receptacle (14-30R)

Then choose a 4-wire power supply cord with ring or spade terminals and UL approved strain relief. The 4-wire power supply cord, at least 4 ft (1.22 m) long, must have 4, 10 gauge solid copper wires and match a 4-wire receptacle of NEMA Type 14-30R. The ground wire (ground conductor) may be either green or bare. The neutral conductor must be identified by a white cover.

### If your outlet looks like this:



3-wire receptacle (10-30R)

Then choose a 3-wire power supply cord with ring or spade terminals and UL approved strain relief. The 3-wire power supply cord, at least 4 ft (1.22 m) long, must have 3, No.-10 copper wires and match a 3-wire receptacle of NEMA Type 10-30R.

### If connecting by direct wire:

Power supply cable must match power supply (4-wire or 3-wire) and be:

- Flexible armored cable or non-metallic sheathed copper cable (with ground wire), protected with flexible metallic conduit. All current-carrying wires must be insulated.
- 10 gauge solid copper wire (Do not use aluminum.)
- At least 5 ft (1.52 m) long

## GROUNDING INSTRUCTIONS

- For a grounded, cord-connected dryer:  
This dryer must be grounded. In the event of malfunction or breakdown, grounding will reduce the risk of electric shock by providing a path of least resistance for electric current. This dryer uses a cord having an equipment-grounding conductor and a grounding plug. The plug must be plugged into an appropriate outlet that is properly installed and grounded in accordance with all local codes and ordinances.
- For a permanently connected dryer:  
This dryer must be connected to a grounded metal, permanent wiring system, or an equipment-grounding conductor must be run with the circuit conductors and connected to the equipment-grounding terminal or lead on the dryer.

**WARNING:** Improper connection of the equipment-grounding conductor can result in a risk of electric shock. Check with a qualified electrician or service representative or personnel if you are in doubt as to whether the dryer is properly grounded. Do not modify the plug on the power supply cord: if it will not fit the outlet, have a proper outlet installed by a qualified electrician.

## SAVE THESE INSTRUCTIONS

# Electrical Connection

## U.S.A. Only

### Power Supply Cord

## ⚠ WARNING



### Fire Hazard

Use a new UL approved 30 amp power supply cord.  
 Use a UL approved strain relief.  
 Disconnect power before making electrical connections.  
 Connect neutral wire (white or center wire) to center terminal (silver).  
 Ground wire (green or bare wire) must be connected to green ground connector.  
 Connect remaining 2 supply wires to remaining 2 terminals (gold).  
 Securely tighten all electrical connections.  
 Failure to do so can result in death, fire, or electrical shock.

### Direct Wire

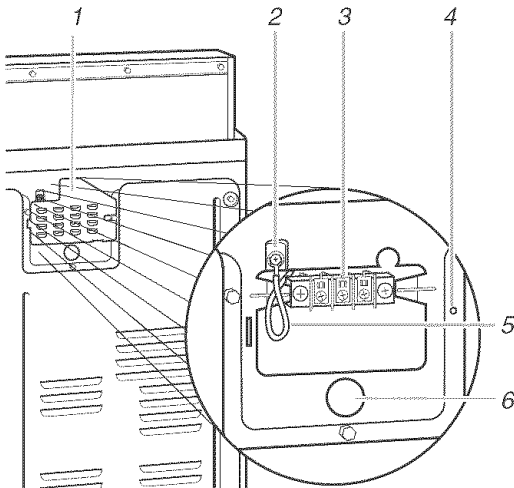
## ⚠ WARNING



### Fire Hazard

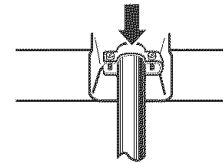
Use 10 gauge solid copper wire.  
 Use a UL approved strain relief.  
 Disconnect power before making electrical connections.  
 Connect neutral wire (white or center wire) to center terminal (silver).  
 Ground wire (green or bare wire) must be connected to green ground connector.  
 Connect remaining 2 supply wires to remaining 2 terminals (gold).  
 Securely tighten all electrical connections.  
 Failure to do so can result in death, fire, or electrical shock.

1. Disconnect power.
2. Remove the hold-down screw and terminal block cover.




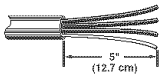

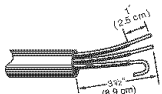
1. Terminal block cover
2. External ground connector
3. Center, silver-colored terminal-block screw
4. Hold-down screw location
5. Neutral grounding wire (green/yellow)
6. Hole below terminal block opening

3. Assemble a 3/4 in. (1.9 cm) UL approved strain relief (UL marking on strain relief) into the hole below the terminal block opening. Tighten strain relief screws just enough to hold the two clamp sections together. Put power supply cord through the strain relief. The strain relief should have a tight fit with the dryer cabinet and be in a horizontal position.



4. Now complete installation following instructions for your type of electrical connection:  
 4-wire (recommended)  
 3-wire (if 4-wire is not available)

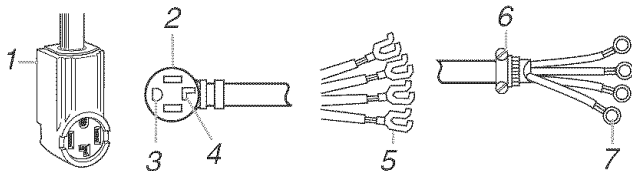
## Electrical Connection Options

| If your home has:   | And you will be connecting to:                                       | Go to Section                        |
|---|--|--------------------------------------|
| 4-wire receptacle (NEMA Type 14-30R)<br> | A UL listed, 120/240 volt minimum, 30 amp., dryer power supply cord* | 4-wire connection: Power Supply Cord |
| 4-wire direct<br>                        | A fused disconnect or circuit breaker box*                           | 4-wire connection: Direct Wire       |
| 3-wire receptacle (NEMA type 10-30R)<br> | A UL listed, 120/240 volt minimum, 30 amp., dryer power supply cord* | 3-wire connection: Power Supply Cord |
| 3-wire direct<br>                        | A fused disconnect or circuit breaker box*                           | 3-wire connection: Direct Wire       |

\* If local codes do not permit the connection of a frame-grounding conductor to the neutral wire, go to "Optional 3-wire connection" section.

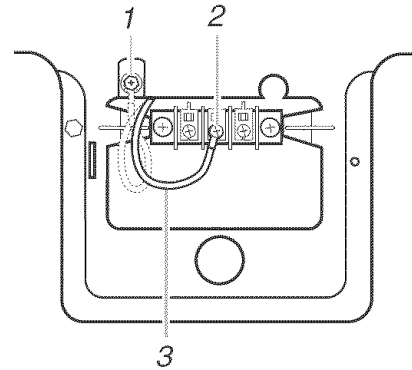
### 4-wire connection: Power Supply Cord

**IMPORTANT:** A 4-wire connection is required for mobile homes and where local codes do not permit the use of 3-wire connections.



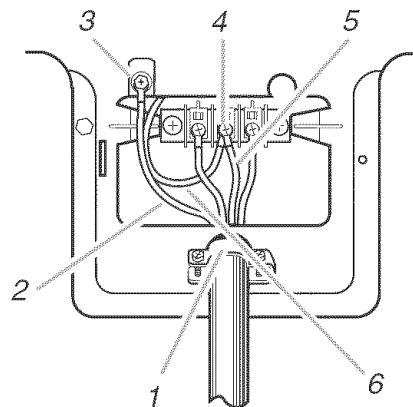
1. 4-wire receptacle (NEMA type 14-30R)
2. 4-prong plug
3. Ground prong
4. Neutral prong
5. Spade terminals with upturned ends
6.  $\frac{3}{4}$  in. (1.9 cm) UL approved strain relief
7. Ring terminals

1. Remove center terminal block screw.
2. Remove appliance ground wire (green with yellow stripes) from external ground connector screw. Fasten it under center, silver colored terminal block screw.



1. External ground connector - Dotted line shows position of NEUTRAL ground wire before being moved to center terminal block screw
2. Center silver-colored terminal block screw
3. Green/yellow wire of harness

3. Connect ground wire (green or bare) of power supply cord to external ground conductor screw. Tighten screw.
4. Connect neutral wire (white or center wire) of power supply cord under center screw of the terminal block.



1.  $\frac{3}{4}$  in. (1.9 cm) UL-listed strain relief
2. Green wire of power supply cord or bare copper wire
3. External ground connector
4. Center silver-colored terminal block screw
5. Neutral wire (white or center)
6. Neutral grounding wire (green/yellow)

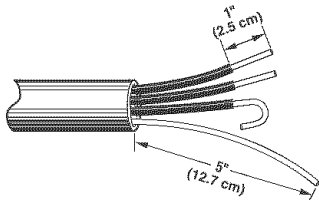
5. Connect the other wires to outer terminal block screws. Tighten screws.
6. Tighten strain relief screws.
7. Insert tab of terminal block cover into slot of dryer rear panel. Secure cover with hold-down screw.

#### 4-wire connection: Direct wire

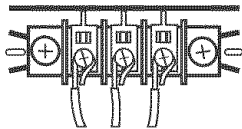
**IMPORTANT:** A 4-wire connection is required for mobile homes and where local codes do not permit the use of 3-wire connections.

Direct wire cable must have 5 ft (1.52 m) of extra length so dryer can be moved if needed.

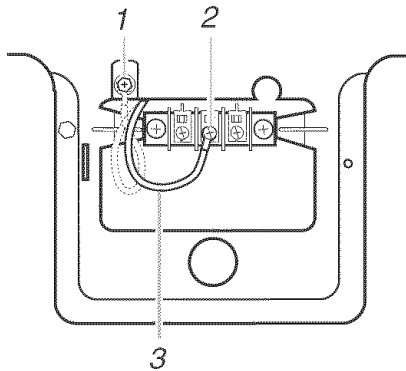
Strip 5 in. (12.7 cm) of outer covering from end of cable, leaving bare ground wire at 5 in. (12.7 cm). Cut 1½ in. (3.8 cm) from 3 remaining wires. Strip insulation back 1 in. (2.5 cm). Bend ends of wires into a hook shape.



When connecting to the terminal block, place the hooked end of the wire under the screw of the terminal block (hook facing right), squeeze hooked end together and tighten screw. See example below.



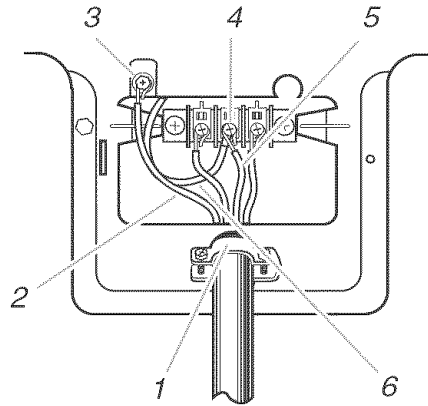
1. Remove center terminal block screw.
2. Remove appliance ground wire (green with yellow stripes) from external ground connector screw. Fasten it under center, silver colored terminal block screw.



1. External ground connector - Dotted line shows position of NEUTRAL ground wire before being moved to center terminal block screw
2. Center silver-colored terminal block screw
3. Green/yellow wire of harness

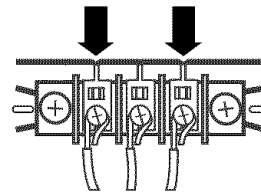
3. Connect ground wire (green or bare) of power supply cable to external ground conductor screw. Tighten screw.

4. Place the hooked end of the neutral wire (white or center wire) of power supply cable under the center screw of terminal block (hook facing right). Squeeze hooked end together. Tighten screw.



1. ¼ in. (1.9 cm) UL-listed strain relief
2. Green wire of power supply cord or bare copper wire
3. External ground connector
4. Center silver-colored terminal block screw
5. Neutral wire (white or center wire)
6. Neutral grounding wire (green/yellow)

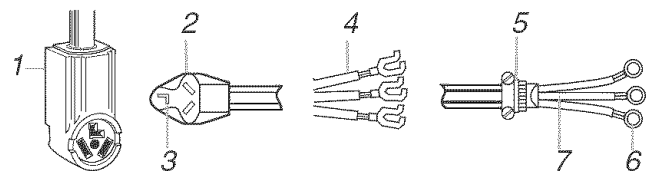
5. Place the hooked ends of the other power supply cable wires under the outer terminal block screws (hooks facing right). Squeeze hooked ends together. Tighten screws.



6. Tighten strain relief screws.
7. Insert tab of terminal block cover into slot of dryer rear panel. Secure cover with hold-down screw.

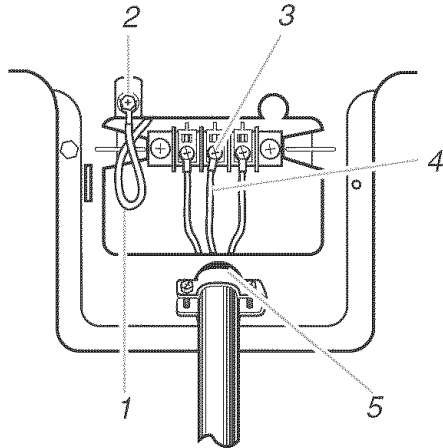
#### 3-wire connection: Power Supply Cord

Use where local codes permit connecting cabinet-ground conductor to neutral wire:



1. 3-wire receptacle (NEMA type 10-30R)
2. 3-wire plug
3. Neutral prong
4. Spade terminals with upturned ends
5. ¼ in. (1.9 cm) UL approved strain relief
6. Ring terminals
7. Neutral (white or center wire)

1. Loosen or remove center terminal block screw.
2. Connect neutral wire (white or center wire) of power supply cord to the center, silver colored terminal screw of the terminal block. Tighten screw.



1. Neutral grounding wire (green/yellow)
2. External ground connector
3. Center silver-colored terminal block screw
4. Neutral wire (white or center wire)
5. ¼ in. (1.9 cm) UL-listed strain relief

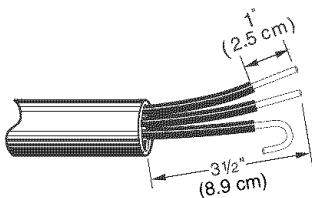
3. Connect the other wires to outer terminal block screws. Tighten screws.
4. Tighten strain relief screws.
5. Insert tab of terminal block cover into slot of dryer rear panel. Secure cover with hold-down screw.

### 3-wire connection: Direct wire

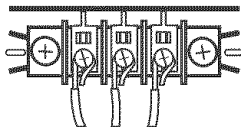
#### Use where local codes permit connecting cabinet-ground conductor to neutral wire.

Direct wire cable must have 5 ft (1.52 m) of extra length so dryer can be moved if needed.

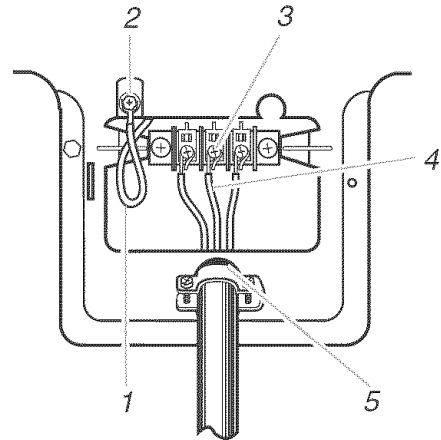
Strip 3½ in. (8.9 cm) of outer covering from end of cable. Strip insulation back 1 in. (2.5 cm). If using 3-wire cable with ground wire, cut bare wire even with outer covering. Bend ends of wires into a hook shape.



When connecting to the terminal block, place the hooked end of the wire under the screw of the terminal block (hook facing right), squeeze hooked end together and tighten screw. See example below.

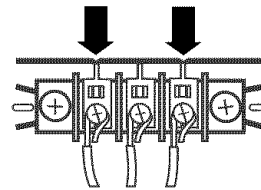


1. Loosen or remove center terminal block screw.
2. Place the hooked end of the neutral wire (white or center wire) of power supply cable under the center screw of terminal block (hook facing right). Squeeze hooked end together. Tighten screw.



1. Neutral grounding wire (green/yellow)
2. External ground connector
3. Center silver-colored terminal block screw
4. Neutral wire (white or center wire)
5. ¼ in. (1.9 cm) UL-listed strain relief

3. Place the hooked ends of the other power supply cable wires under the outer terminal block screws (hooks facing right). Squeeze hooked ends together. Tighten screws.

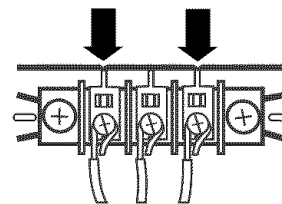


4. Tighten strain relief screws.
5. Insert tab of terminal block cover into slot of dryer rear panel. Secure cover with hold-down screw.

### Optional 3-wire connection

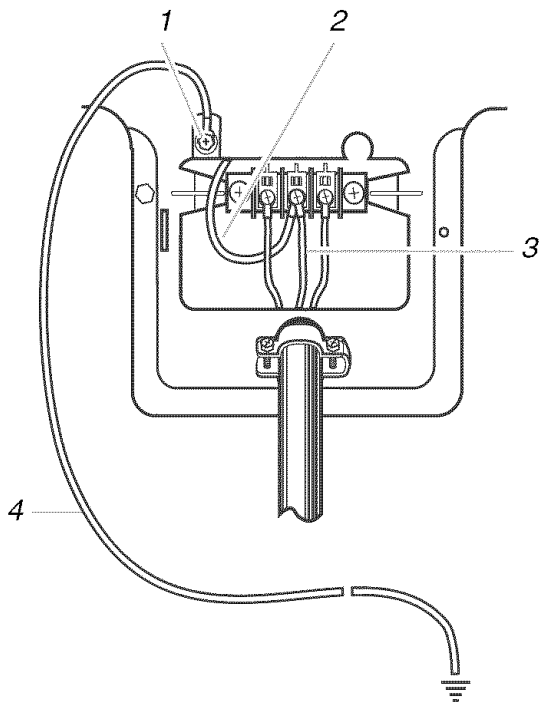
#### Use for direct wire or power supply cord where local codes do not permit connecting cabinet-ground conductor to neutral wire.

1. Remove center terminal block screw.
2. Remove appliance ground wire (green with yellow stripes) from external ground connector screw. Connect appliance ground wire and the neutral wire (white or center wire) of power supply cord/cable under center, silver colored terminal block screw. Tighten screw.
3. Connect the other wires to outer terminal block screws. Tighten screws.





4. Tighten strain relief screws.
5. Insert tab of terminal block cover into slot of dryer rear panel. Secure cover with hold-down screw.
6. Connect a separate copper ground wire from the external ground connector screw to an adequate ground.



1. External ground connector
2. Neutral grounding wire (green/yellow)
3. Neutral wire (white or center wire)
4. Grounding path determined by a qualified electrician

- The dryer exhaust must not be connected into any gas vent, chimney, wall, ceiling, or a concealed space of a building.
- Do not use an exhaust hood with a magnetic latch.
- Do not install flexible metal vent in enclosed walls, ceilings or floors.
- Use clamps to seal all joints. Exhaust vent must not be connected or secured with screws or other fastening devices which extend into the interior of the duct. Do not use duct tape.

**IMPORTANT:** Observe all governing codes and ordinances.

**Improper venting can cause moisture and lint to collect indoors, which may result in:**

- Moisture damage to woodwork, furniture, paint, wall-paper, carpets, etc.
- Housecleaning problems and health problems.

Use a heavy metal vent. Do not use plastic or metal foil vent. Rigid metal vent is recommended to prevent crushing and kinking. Flexible metal vent must be fully extended and supported when the dryer is in its final position. Remove excess flexible metal vent to avoid sagging and kinking that may result in reduced airflow and poor performance.

An exhaust hood should cap the vent to prevent rodents and insects from entering the home.

Exhaust hood must be at least 12 in. (30.5 cm) from the ground or any object that may be in the path of the exhaust (such as flowers, rocks or bushes, etc.).

If using an existing vent system, clean lint from the entire length of the system and make sure exhaust hood is not plugged with lint. Replace any plastic or metal foil vent with rigid metal or flexible metal vent.

## Venting Requirements

### **WARNING**



#### Fire Hazard

- Use a heavy metal vent.
- Do not use a plastic vent.
- Do not use a metal foil vent.
- Failure to follow these instructions can result in death or fire.

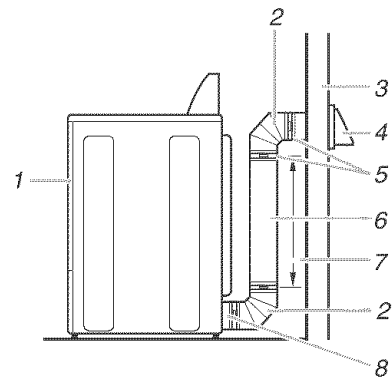
**WARNING:** To reduce the risk of fire, this dryer MUST BE EXHAUSTED OUTDOORS.

4 in. (10.2 cm) heavy metal exhaust vent and clamps must be used. DURASAFE™ venting products are recommended. DURASAFE™ vent products can be purchased from your dealer or by calling Whirlpool Parts and Accessories. For more information, see the "Assistance or Service" section of your "Dryer User Instructions."

## Plan Vent System

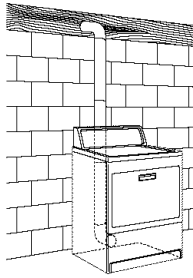
### Typical exhaust installations

Typical installations vent the dryer from the rear of the dryer.



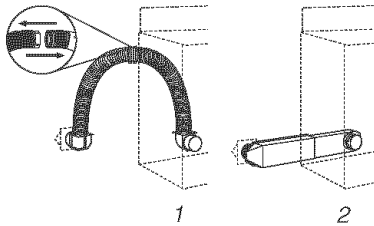
1. Dryer
2. Elbow
3. Wall
4. Exhaust hood
5. Clamps
6. Rigid metal or flexible metal vent
7. Vent length necessary to connect elbows
8. Exhaust outlet

## Standard exhaust installation with rigid metal or flexible metal vent



## Alternate installations for close clearances

Venting systems come in many varieties. Select the type best for your installation. Two close-clearance installations are shown. Refer to the manufacturer's instructions.



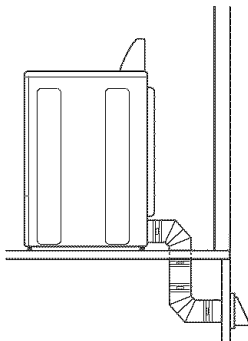
1. Over-The-Top installation (also available with one offset elbow)
2. Periscope installation

**NOTE:** The following kits for close clearance alternate installations are available for purchase. Please reference the "Assistance or Service" section of your "Dryer User Instructions."

- Over-The-Top Installation:  
Part Number 4396028
- Periscope Installation (For use with dryer vent to wall vent mismatch):  
Part Number 4396037 - 0 in. (0 cm) to 18 in. (45.72 cm) mismatch  
Part Number 4396011 - 18 in. (45.72 cm) to 29 in. (73.66 cm) mismatch  
Part Number 4396014 - 29 in. (73.66 cm) to 50 in. (127 cm) mismatch

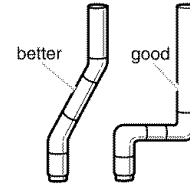
## Special provisions for mobile home installations

The exhaust vent must be securely fastened to a noncombustible portion of the mobile home structure and must not terminate beneath the mobile home. Terminate the exhaust vent outside.



## Determine Vent Length

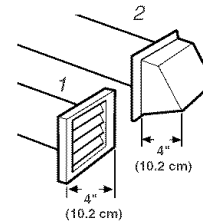
1. Select the route that will provide the straightest and most direct path outdoors. Plan the installation to use the fewest number of elbows and turns. When using elbows or making turns, allow as much room as possible. Bend vent gradually to avoid kinking. Avoid 90° turns.



2. Determine vent length.  
The maximum length of the exhaust system depends upon:

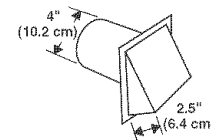
- The type of vent (rigid metal or flexible metal).
- The number of elbows used.
- The type of hood.

Recommended hood styles are shown here.



1. Louvered hood style
2. Box hood style

The angled hood style (shown following) is acceptable.



See the exhaust vent length chart that matches your hood type for the maximum vent lengths you can use.

Exhaust systems longer than specified will:

- Shorten the life of the dryer.
- Reduce performance, resulting in longer drying times and increased energy usage.

3. Determine the number of elbows you will need.

**NOTE:** Do not use vent runs longer than specified in the Vent Length Chart.

The following chart helps you determine your maximum vent length based on the number of 90° turns or elbows you will need and the type of vent (rigid or flexible metal) and hood that you will use.

## Vent Length Chart

| Number of 90° turns or elbows | Type of vent   | Box or Louvered hoods | Angled hoods   |
|-------------------------------|----------------|-----------------------|----------------|
| 0                             | Rigid metal    | 64 ft (20 m)          | 58 ft (17.7 m) |
|                               | Flexible metal | 36 ft (11 m)          | 28 ft (8.5 m)  |
| 1                             | Rigid metal    | 54 ft (16.5 m)        | 48 ft (14.6 m) |
|                               | Flexible metal | 31 ft (9.4 m)         | 23 ft (7 m)    |
| 2                             | Rigid metal    | 44 ft (13.4 m)        | 38 ft (11.6 m) |
|                               | Flexible metal | 27 ft (8.2 m)         | 19 ft (5.8 m)  |
| 3                             | Rigid metal    | 35 ft (10.7 m)        | 29 ft (8.8 m)  |
|                               | Flexible metal | 25 ft (7.6 m)         | 17 ft (5.2 m)  |
| 4                             | Rigid metal    | 27 ft (8.2 m)         | 21 ft (6.4 m)  |
|                               | Flexible metal | 23 ft (7 m)           | 15 ft (4.6 m)  |

## Install Vent System

- (Optional) Put on safety glasses and gloves.
- Install exhaust hood. Use caulking compound to seal exterior wall opening around exhaust hood.
- Connect vent to exhaust hood. Vent must fit inside exhaust hood. Secure vent to exhaust hood with 4 in. (10.2 cm) clamp.
- Run vent to dryer location. Use the straightest path possible. See "Determine Vent Length." Avoid 90° turns. Use clamps to seal all joints. Do not use duct tape, screws or other fastening devices that extend into the interior of the vent to secure vent.

## Install Leveling Legs

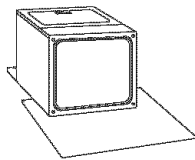
### ⚠ WARNING

#### Excessive Weight Hazard

Use two or more people to move and install dryer.

Failure to do so can result in back or other injury.

- To protect the floor, use a large flat piece of cardboard from the dryer carton. Place cardboard under the entire back edge of the dryer. See illustration.
- Firmly grasp the body of the dryer (not the top or console panel).



Gently lay the dryer on the cardboard.

- Examine the leveling legs. Find the diamond marking.

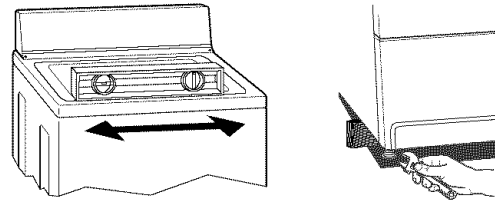


- Screw the legs into the leg holes by hand. Use a wrench to finish turning the legs until the diamond marking is no longer visible.

- Place a carton corner post under each of the 2 dryer back corners. Stand the dryer up. Slide the dryer on the corner posts until it is close to its final location. Leave enough room to connect the exhaust vent.
- Once connection is made and dryer is in final location, remove corner posts and cardboard.

## Level Dryer

Check the levelness of the dryer. Check levelness first side-to-side, then front-to-back.



If the dryer is not level, prop up the dryer using a wood block. Use a wrench to adjust the legs up or down and check again for levelness.

**NOTE:** It might be necessary to level the dryer again after it is moved into its final position.

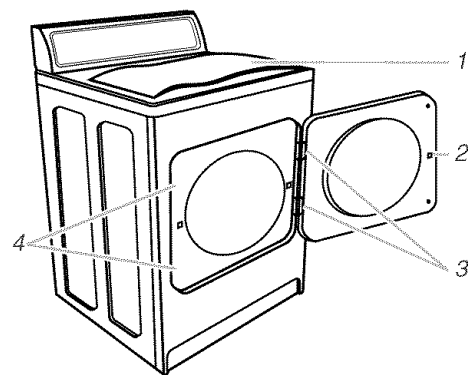
## Connect Vent

- Using a 4 in. (10.2 cm) clamp, connect vent to exhaust outlet in dryer. If connecting to existing vent, make sure the vent is clean. The dryer vent must fit over the dryer exhaust outlet and inside the exhaust hood. Make sure the vent is secured to exhaust hood with a 4 in. (10.2 cm) clamp.
- Move dryer into final position. Do not crush or kink vent. Make sure dryer is level.
- (On gas models) Check to be sure there are no kinks in the flexible gas line.

## Reverse Door Swing (Optional)

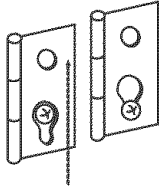
You can change your door swing from a right-side opening to a left-side opening, if desired.

### Reversible Large Side-Swing Door



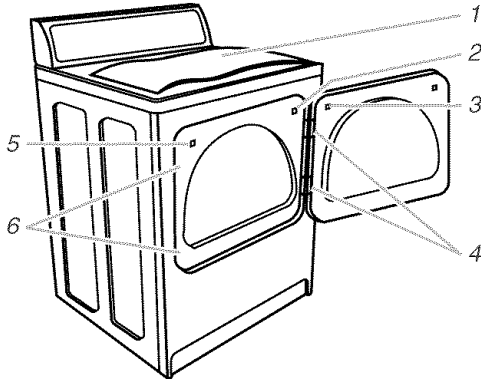
- Place towel (1) on top of dryer to protect surface.
- Open dryer door. Remove bottom screws from cabinet side of hinges (3). Loosen (do not remove) top screws from cabinet side of hinges.
- Lift door until top screws in cabinet are in large part of hinge slot. Pull door forward off screws. Set door on top of dryer. Remove top screws from cabinet.
- Use a small, flat-blade screwdriver to carefully remove 4 hinge hole plugs (4) on left side of cabinet. Insert plugs in hinge holes on right side of cabinet.

5. Insert screws in bottom holes on left side of cabinet. Tighten screws halfway. Position door so large end of door hinge slot is over screws. Slide door up so screws are in bottom of slots. Tighten screws. Insert and tighten top screws in hinges.

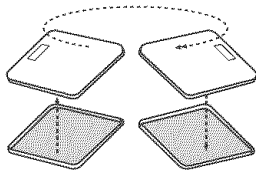


6. Close door and check that door strike aligns with door catch (2). If needed, slide door catch left or right within slot to adjust alignment.

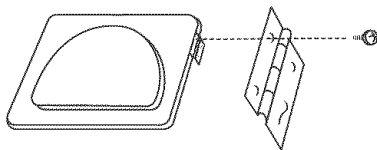
### Reversible Super Wide Side-Swing Door



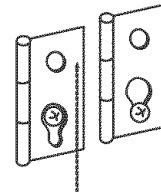
1. Place towel (1) on top of dryer to protect surface.
2. Open dryer door. Remove bottom screws from cabinet side of hinges (4). Loosen (do not remove) top screws from cabinet side of hinges.
3. Lift door until top screws in cabinet are in large part of hinge slot. Pull door forward off screws. Set door (handle side up) on top of dryer. Remove top screws from cabinet.
4. Remove screws attaching hinges to door.
5. Remove screws at top, bottom and side of door (4 screws). Holding door over towel on dryer, grasp sides of outer door and carefully lift to separate it from inner door. Do NOT pry apart with putty knife. Do NOT pull on door seal or plastic door catches.
6. Be careful to keep cardboard spacer centered between doors. Reattach outer door panel to inner door panel so handle is on the side where hinges were just removed.



7. Attach door hinges to door so large part of hinge slot is at bottom of hinge.



8. Remove door strike (5) from cabinet. Use a small, flat-blade screwdriver to carefully remove 4 hinge hole plugs (6) on left side of cabinet. Insert plugs in hinge holes on right side of cabinet.
9. Insert screws in bottom holes on left side of cabinet. Tighten screws halfway. Position door so large end of door hinge slot is over screws. Slide door up so screws are in bottom of slots. Tighten screws. Insert and tighten top screws in hinges.



10. Remove door strike plug (2). Insert the door strike you removed in Step 8 in hole and secure with screw. Insert door strike plug in original door strike hole and secure with screw.
11. Close door and check that door strike aligns with door catch (3). If needed, slide door catch left or right within slot to adjust alignment.

## Complete Installation

1. Check to be sure all parts are now installed. If there is an extra part, go back through the steps to see which step was skipped.
2. Check to be sure you have all of your tools.
3. Dispose of all packaging materials.
4. Check the dryer's final location. Be sure the vent is not crushed or kinked.
5. Check to be sure the dryer is level. (See "Level Dryer.")
6. Plug into a grounded outlet. Turn power on.
7. Remove the blue protective film on the console and any tape remaining on the dryer.
8. Read your "Dryer User Instructions."
9. Wipe the dryer drum interior thoroughly with a damp cloth to remove any dust.
10. Set the dryer on a full heat cycle (not an air cycle) for 20 minutes and start the dryer.

### If the dryer will not start, check the following:

- Controls are set in a running or "On" position.
- Start button has been pushed firmly.
- Dryer is plugged into a grounded outlet.
- Electrical supply is connected.
- House fuse is intact and tight; or circuit breaker has not tripped.
- Dryer door is closed.

11. When the dryer has been running for 5 minutes, open the dryer door and feel for heat.

### If you do not feel heat, turn the dryer off and check the following:

- There may be 2 fuses or circuit breakers for the dryer. Check to make sure both fuses are intact and tight, or that both circuit breakers have not tripped. If there is still no heat, contact a qualified technician.

**NOTE:** You may notice a burning odor when the dryer is first heated. This odor is common when the heating element is first used. The odor will go away.

# INSTRUCTIONS POUR L'INSTALLATION DE LA SÈCHEUSE ÉLECTRIQUE DE 29 PO (73,7 CM)

## SÉCURITÉ DE LA SÈCHEUSE

### Votre sécurité et celle des autres est très importante.

Nous donnons de nombreux messages de sécurité importants dans ce manuel et sur votre appareil ménager. Assurez-vous de toujours lire tous les messages de sécurité et de vous y conformer.



Voici le symbole d'alerte de sécurité.

Ce symbole d'alerte de sécurité vous signale les dangers potentiels de décès et de blessures graves à vous et à d'autres.

Tous les messages de sécurité suivront le symbole d'alerte de sécurité et le mot "DANGER" ou "AVERTISSEMENT". Ces mots signifient :

**⚠ DANGER**

Risque possible de décès ou de blessure grave si vous ne suivez pas immédiatement les instructions.

**⚠ AVERTISSEMENT**

Risque possible de décès ou de blessure grave si vous ne suivez pas les instructions.

Tous les messages de sécurité vous diront quel est le danger potentiel et vous disent comment réduire le risque de blessure et ce qui peut se produire en cas de non-respect des instructions.

## INSTRUCTIONS D'INSTALLATION

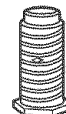
### Outillage et pièces nécessaires

S'assurer d'avoir tout le nécessaire pour une installation convenable. C'est à l'utilisateur qu'incombe la responsabilité d'assurer une installation convenable.

- Tournevis à lame plate
- Clé à molette avec ouverture jusqu'à 1 po (2,54 cm) ou clé à douille hexagonale (pour ajuster les pieds de la sècheuse)
- Niveau
- Pince à dénuder (Pour les installations à raccordement direct, aux É.-U. seulement)
- Tournevis Phillips n° 2
- Lunettes de sécurité
- Clapets d'évacuation
- Pistolet à calfeutrage et composé de calfeutrage (pour l'installation d'un nouveau circuit d'évacuation)
- Gants
- Cisaille de ferblantier (pour l'installation d'un nouveau conduit)

### Pièces fournies :

Retirer le sachet de pièces du tambour de la sècheuse. Vérifier que toutes les pièces de la liste sont présentes.



4 pieds de nivellement

### Pièces nécessaires :

Consulter les codes locaux, vérifier l'alimentation électrique et le circuit d'évacuation existants, et consulter les sections "Spécifications électriques" et "Exigences concernant l'évacuation" avant d'acheter les pièces nécessaires.

Les installations pour maison mobile nécessitent un système d'évacuation en métal qui peut être acheté chez le marchand chez qui vous avez acheté votre sècheuse. Pour plus d'information, veuillez consulter la première page des "Instructions d'utilisation de la sècheuse".

## Emplacement d'installation

### ⚠ AVERTISSEMENT



#### Risque d'explosion

Garder les matières et les vapeurs inflammables, telle que l'essence, loin de la sècheuse.

Placer la sècheuse au moins 46 cm (18 po) au-dessus du plancher pour une installation dans un garage.

Le non-respect de ces instructions peut causer un décès, une explosion ou un incendie.

#### On a besoin de

- Un emplacement avec un conduit d'évacuation à proximité. Voir "Exigences concernant l'évacuation".
- Un circuit séparé de 30 ampères.
- Une prise électrique avec liaison à la terre située à moins de 2 pi (61 cm) de l'un des côtés de la sècheuse. Voir "Spécifications électriques".
- Un plancher robuste capable de supporter un poids total (sècheuse et charge) de 200 lb (90,7 kg). Le poids combiné d'un appareil voisin doit également être pris en compte.
- Un plancher horizontal avec une pente maximale de 1 po (2,5 cm) sous l'ensemble de la sècheuse. (Si la pente est supérieure à 1 po [2,5 cm], installer l'ensemble de pieds longs n° de pièce 279810.) Si la sècheuse n'est pas d'aplomb, le linge peut ne pas culbutter convenablement et les programmes commandés par des détecteurs automatiques peuvent ne pas fonctionner correctement.

Ne pas faire fonctionner la sècheuse à une température inférieure à 45°F (7°C). À des températures inférieures, la sècheuse risque de ne plus s'arrêter à la fin d'un programme automatique. Les temps de séchage risquent alors d'augmenter.

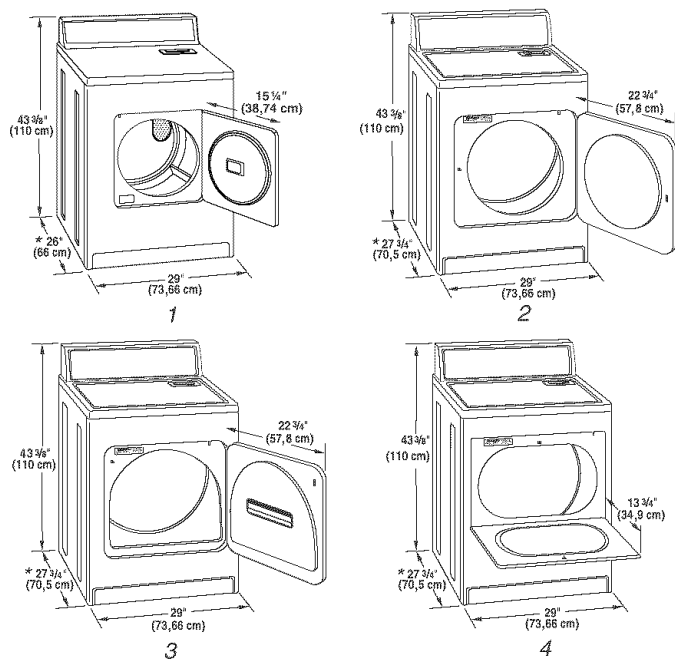
Installer la sècheuse à l'abri de l'eau et/ou des intempéries.

Vérifier les règlements locaux. Certains codes limitent ou n'autorisent pas l'installation des sècheuses dans un garage, un placard, une maison mobile ou une chambre à coucher. Communiquer avec l'inspecteur des bâtiments local.

#### Espacements d'installation

L'emplacement doit être assez grand pour permettre d'ouvrir complètement la porte de la sècheuse.

## Dimensions de la sècheuse



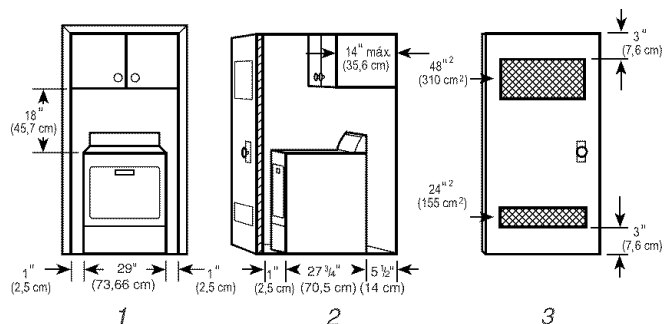
1. Porte à pivotement latéral à petite ouverture
2. Porte à pivotement latéral à grande ouverture
3. Porte à pivotement latéral à large ouverture
4. Porte rabattable à large ouverture

\* La plupart des installations requièrent un espace minimum de 5 1/2 po (14 cm) derrière la sècheuse pour le conduit d'évacuation avec coude. Voir "Exigences concernant l'évacuation".

#### Espacement minimum pour une installation dans un encastrement ou dans un placard

Les dimensions suivantes indiquées sont pour l'espace minimal accordé.

- On prévoira un peu plus d'espace pour faciliter l'installation et l'entretien.
- Un espace supplémentaire peut être requis pour les moulures de porte et de plancher et pour les plinthes.
- Un espace supplémentaire de 1 po (2,5 cm) de tous les côtés de la sècheuse est recommandé pour réduire le transfert du bruit.
- Pour l'installation dans un placard avec porte, on doit prévoir des orifices d'entrée d'air minimums en haut et en bas de la porte. Les portes à claire-voie offrant une surface équivalente de passage de l'air sont acceptables.
- Il faut aussi prendre en compte l'espace requis entre les appareils voisins.



1. Encastrement
2. Vue latérale - placard ou endroit exigü
3. Porte du placard avec orifices d'entrée d'air

## Exigences additionnelles concernant l'installation dans une maison mobile

Cette sècheuse peut être installée dans une maison mobile. L'installation doit satisfaire les critères de la Norme de construction et de sécurité des habitations préfabriquées des É.-U., Titre 24 CFR, partie 3280 (anciennement Norme fédérale de construction et de sécurité des habitations préfabriquées, Titre 24 HUD, partie 280) ou de la Norme canadienne des habitations préfabriquées, CAN/CSA-Z240MH.

### L'installation dans une maison mobile exige :

- Un système d'évacuation en métal qui peut être acheté chez votre marchand.
- Il faut prendre des dispositions spéciales pour l'apport d'air de l'extérieur dans la sècheuse lors d'une installation dans une maison mobile. La surface de toute ouverture pour l'apport d'air extérieur (telle qu'une fenêtre à proximité) devrait être au moins deux fois plus grande que l'ouverture de décharge de la sècheuse.

## Spécifications électriques

### Au Canada

## ⚠ AVERTISSEMENT



### Risque de choc électrique

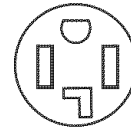
**Brancher sur une prise à 4 alvéoles reliée à la terre.**

**Le non-respect de cette instruction peut causer un décès ou un choc électrique.**

### C'est à l'utilisateur qu'incombe la responsabilité de

- Communiquer avec un électricien qualifié.
- S'assurer que les connexions électriques sont adéquates et conformes au Code canadien de l'électricité, C22.1 - dernière édition et à tous les codes locaux. Pour obtenir un exemplaire de la norme des codes ci-dessus, contacter : Association canadienne de normalisation, 178 Rexdale Blvd., Toronto, ON M9W 1R3 CANADA.
- Alimenter l'appareil uniquement par un circuit monophasé de 115/230 volts CA, 60 Hz à 4 fils, sur un circuit séparé de 30 ampères, fusionné aux deux extrémités de la ligne. On recommande l'emploi d'un fusible temporisé ou disjoncteur. On recommande également que cet appareil soit alimenté par un circuit indépendant.

- Cette sècheuse est équipée d'un cordon électrique homologué par la CSA International à introduire dans une prise murale standard 14-30R. Le cordon mesure 5 pi (1,52 m) de long. Veiller à ce que la prise murale se trouve à proximité de l'emplacement définitif de la sècheuse.



Prise murale à 4 fils 14-30R

- Ne pas utiliser de cordon de rallonge.

Si on utilise un cordon d'alimentation de recharge, il est recommandé d'utiliser le cordon d'alimentation de recharge numéro de pièce 9831317. Pour plus d'information, veuillez consulter les numéros de service qui se trouvent dans les "Instructions d'utilisation de la sècheuse".

### INSTRUCTIONS DE LIAISON À LA TERRE

- Pour une sècheuse reliée à la terre et connectée par un cordon :

Cette sècheuse doit être reliée à la terre. En cas de mauvais fonctionnement ou de panne, la liaison à la terre réduira le risque de choc électrique en offrant au courant électrique un acheminement d'évacuation de moindre résistance. Cette sècheuse est alimentée par un cordon électrique comportant un conducteur relié à la terre et une fiche de branchement munie d'une broche de liaison à la terre. La fiche doit être branchée sur une prise appropriée qui est bien installée et reliée à la terre conformément à tous les codes et règlements locaux.

**AVERTISSEMENT :** Le raccordement incorrect de cet appareil au conducteur de liaison à la terre peut susciter un risque de choc électrique. En cas de doute quant à la qualité de liaison à la terre de la sècheuse, consulter un électricien ou un technicien ou un personnel qualifié. Ne pas modifier la fiche de branchement fournie avec la sècheuse; si la fiche ne correspond pas à la configuration de la prise de courant, demander à un électricien qualifié d'installer une prise de courant appropriée.

### CONSERVEZ CES INSTRUCTIONS

## Exigences concernant l'évacuation

### **AVERTISSEMENT**



#### Risque d'incendie

- Utiliser un conduit d'évacuation en métal lourd.
- Ne pas utiliser un conduit d'évacuation en plastique.
- Ne pas utiliser un conduit d'évacuation en feuille de métal.
- Le non-respect de ces instructions peut causer un décès ou un incendie.

**AVERTISSEMENT :** Pour réduire le risque d'incendie, cette sècheuse DOIT ÊTRE ÉVACUÉE VERS L'EXTÉRIEUR.

Utiliser un conduit d'évacuation métallique robuste de 4 po (10,2 cm) et des brides de fixation. Les produits d'évacuation DURASAFE™ sont recommandés.

Les produits d'évacuation DURASAFE™ sont disponibles chez votre marchand ou en appelant Whirlpool, Pièces et accessoires. Pour plus d'information, voir la section "Assistance ou service" dans les "Instructions d'utilisation de la sècheuse".

- Le système d'évacuation de la sècheuse ne doit pas être connecté à une évacuation de gaz, une cheminée, un mur, un plafond ou un vide dans le bâtiment.
- Ne pas utiliser un clapet d'évacuation à fermeture magnétique.
- Ne pas installer le conduit flexible dans les cavités fermées des murs, plafonds ou planchers.
- Utiliser des brides de serrage pour sceller tous les joints. Le système d'évacuation ne doit pas être connecté ou fixé avec des vis ou autres dispositifs de serrage qui peuvent s'allonger à l'intérieur du conduit. Ne pas utiliser de ruban adhésif.

**IMPORTANT :** Respecter toutes les prescriptions des codes et règlements en vigueur.

#### Une mauvaise évacuation de l'air peut causer de l'humidité et une accumulation de charpie à l'intérieur de la maison qui peut causer :

- Dommages par l'humidité aux boiseries, meubles, peinture, papier-peint, tapis, etc.
- Problèmes de nettoyage dans la maison et problèmes de santé.

Utiliser un conduit métallique lourd. Ne pas utiliser un conduit de plastique ou en feuille métallique.

On recommande d'utiliser un conduit métallique rigide pour réduire les risques d'écrasement et de déformation.

Un conduit métallique souple doit être totalement déployé et soutenu lorsque la sècheuse est à sa position finale. Enlever tout excès de conduit souple pour éviter tout affaissement et déformation susceptible de réduire la capacité d'évacuation.

Terminer le conduit d'évacuation par un clapet de décharge qui empêchera les rongeurs et insectes d'entrer dans l'habitation.

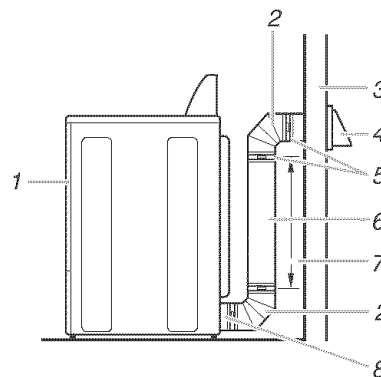
Le clapet de décharge doit être situé à au moins 12 po (30,5 cm) au-dessus du sol ou de tout autre objet susceptible de se trouver sur le trajet de l'air humide rejeté (par exemple, fleurs, roches ou arbustes, etc.).

Lors de l'utilisation d'un système de décharge existant, nettoyer et éliminer la charpie sur toute la longueur du système et veiller à ce que le clapet de décharge ne soit pas obstrué par une accumulation de charpie. Remplacer tout conduit de plastique ou de feuille métallique par un conduit métallique rigide ou souple.

## Planification du système d'évacuation

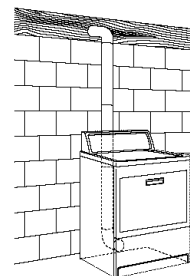
### Installations typiques d'évacuation

Les installations typiques consistent à acheminer le conduit d'évacuation à l'arrière de la sècheuse.



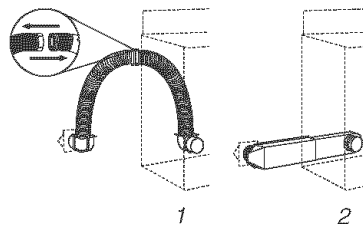
- Sècheuse
- Coude
- Mur
- Clapet de décharge
- Brides
- Conduit métallique rigide ou souple
- Longueur de conduit nécessaire pour raccorder les coudes
- Bouche de décharge

### Installations standard du conduit d'évacuation à l'aide d'un conduit métallique rigide ou souple



### Autres installations où le dégagement est réduit

Il existe de nombreux types de systèmes d'évacuation. Choisir le type qui convient le mieux à l'installation. Deux installations à dégagement réduit sont illustrées. Voir les instructions du fabricant.



- Installation au-dessus de la sècheuse (aussi disponible avec un coude décalé)
- Installation de périscope

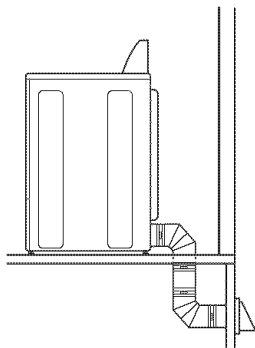


**REMARQUE :** On peut acheter les trousseaux suivantes pour les installations où le dégagement est réduit. Veuillez consulter la section "Assistance ou service" dans les "Instructions d'utilisation de la sècheuse".

- Installation au-dessus de la sècheuse :  
Pièce numéro 4396028
- Installation de périscope (pour l'utilisation en cas de non-concordance de la bouche de décharge de la sècheuse avec le clapet) :  
Pièce numéro 4396037 - 0 po (0 cm) à 18 po (45,72 cm) de décalage  
Pièce numéro 4396011 - 18 po (45,72 cm) à 29 po (73,66 cm) de décalage  
Pièce numéro 4396014 - 29 po (73,66 cm) à 50 po (127 cm) de décalage

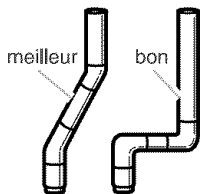
**Dispositions spéciales pour les installations dans une maison mobile**

Le système d'évacuation doit être solidement fixé à une section non combustible de la structure de la maison mobile et ne doit pas se terminer en dessous de la maison mobile. Faire en sorte que le système d'évacuation se termine à l'extérieur.



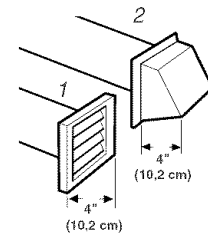
**Déterminer la longueur du conduit**

1. Choisir l'itinéraire d'acheminement vers l'extérieur qui sera le plus direct et le plus rectiligne. Planifier l'installation pour introduire le nombre minimal de coudes et changements de direction. Si des coudes sont utilisés pour les changements de direction, prévoir autant d'espace que possible. Plier le conduit graduellement pour éviter de le déformer. Éviter les changements de direction à 90°.



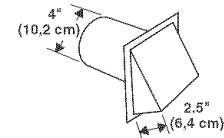
2. Déterminer la longueur du conduit  
La longueur maximale du circuit de décharge dépend de plusieurs facteurs :
  - Le type de conduit (métal rigide ou souple).
  - Le nombre de coudes incorporés au circuit.
  - Le type de clapet.

Les styles de clapet recommandés sont illustrés ci-dessous.



1. Clapet à persiennes  
2. Clapet de type boîte

Le clapet incliné (illustré ci-dessous) est acceptable



Consulter le tableau correspondant au type de clapet de décharge utilisé pour déterminer la longueur maximale de conduit utilisable.

Si la longueur du circuit est supérieure à la valeur spécifiée dans le tableau, on observera :

- Une réduction de la longévité de la sècheuse.
  - Une réduction du rendement, avec temps de séchage plus long et plus grande consommation d'énergie.
3. Déterminer le nombre de coudes nécessaires.

**REMARQUE :** Ne pas installer un conduit de longueur supérieure à la valeur spécifiée dans le tableau.

Le tableau suivant vous aide à déterminer la longueur maximale du conduit d'évacuation selon le nombre de changements de direction à 90° ou coudes dont vous aurez besoin et le type de conduit métallique (rigide ou souple) et de clapet que vous utiliserez.

**Tableau de longueur du conduit d'évacuation**

| Nombre de changements de direction ou coudes à 90° | Type de conduit   | Clapets de type boîte ou à persiennes | Clapets inclinés |
|--|-------------------|---------------------------------------|------------------|
| 0  | Métallique rigide | 64 pi (20 m)                          | 58 pi (17,7 m)   |
|  | Métallique souple | 36 pi (11 m)                          | 28 pi (8,5 m)    |
| 1  | Métallique rigide | 54 pi (16,5 m)                        | 48 pi (14,6 m)   |
|  | Métallique souple | 31 pi (9,4 m)                         | 23 pi (7 m)      |
| 2  | Métallique rigide | 44 pi (13,4 m)                        | 38 pi (11,6 m)   |
|  | Métallique souple | 27 pi (8,2 m)                         | 19 pi (5,8 m)    |
| 3  | Métallique rigide | 35 pi (10,7 m)                        | 29 pi (8,8 m)    |
|  | Métallique souple | 25 pi (7,6 m)                         | 17 pi (5,2 m)    |
| 4  | Métallique rigide | 27 pi (8,2 m)                         | 21 pi (6,4 m)    |
|  | Métallique souple | 23 pi (7 m)                           | 15 pi (4,6 m)    |

## Installation du conduit d'évacuation

1. (Facultatif) Porter des gants et des lunettes de sécurité.
2. Installer le clapet d'évacuation. Calfeutrer au pistolet l'ouverture murale à l'extérieur autour du clapet d'évacuation.
3. Raccorder le conduit d'évacuation au clapet. Le conduit doit être inséré à l'intérieur du manchon du clapet. Fixer ensemble le conduit et le clapet avec une bride de 4 po (10,2 cm).
4. Acheminer le conduit d'évacuation jusqu'à l'emplacement de la sècheuse. Utiliser l'itinéraire le plus rectiligne possible. Voir "Déterminer la longueur du conduit". Éviter les changements de direction à 90°. Utiliser des brides pour sceller tous les joints. Ne pas utiliser de ruban adhésif pour conduit, des vis ou autres dispositifs de fixation qui se prolongent à l'intérieur du conduit pour fixer celui-ci.

## Installation des pieds de nivellement

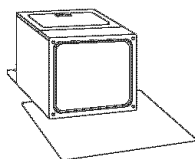
### **AVERTISSEMENT**

#### Risque du poids excessif

Utiliser deux ou plus de personnes pour déplacer et installer la sècheuse.

Le non-respect de cette instruction peut causer une blessure au dos ou d'autre blessure.

1. Pour protéger le sol, utiliser un grand morceau de l'emballage en carton de la sècheuse. Placer le carton sous le bord arrière de la sècheuse. Voir l'illustration.
2. Saisir fermement la sècheuse par la caisse (ni par le dessus ni par le panneau de commande).



Déposer délicatement la sècheuse sur le carton.

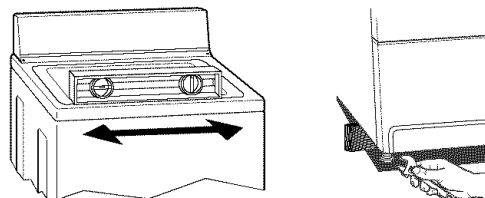
3. Examiner les pieds de nivellement. Trouver le symbole de repérage (losange).



4. Engager manuellement les vis des pieds dans les trous. Utiliser une clé à molette pour visser les pieds jusqu'à ce que le symbole de repérage (losange) ne soit plus visible.
5. Placer une cornière de carton sous chacun des 2 coins arrière de la sècheuse. Redresser la sècheuse. Faire glisser la sècheuse sur les cornières près de son emplacement définitif. Laisser suffisamment d'espace pour connecter le conduit d'évacuation.
6. Une fois la connexion faite et la sècheuse sur son emplacement final, enlever les cornières et le carton.

## Mise à niveau de la sècheuse

Contrôler l'aplomb de la sècheuse. Contrôler l'aplomb tout d'abord transversalement, puis dans le sens avant/arrière.



Si la sècheuse n'est pas de niveau, la déposer sur un bloc de bois. Utiliser une clé à molette pour ajuster les pieds vers le haut ou vers le bas, et vérifier à nouveau si elle est de niveau.

**REMARQUE :** Il peut être nécessaire de mettre à nouveau de niveau la sècheuse une fois qu'on l'installe à son emplacement définitif.

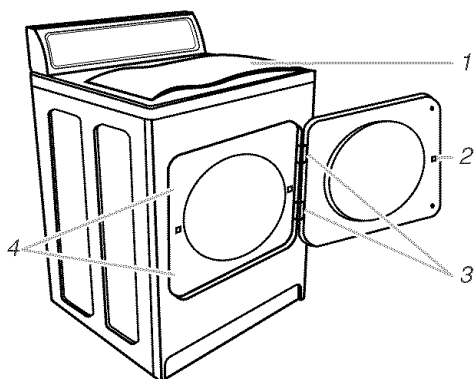
## Conduit d'évacuation

1. À l'aide d'une bride de fixation de 4 po (10,2 cm), relier le conduit d'évacuation à la bouche d'évacuation de la sècheuse. Si on utilise un système d'évacuation existant, s'assurer qu'il est propre. Le conduit d'évacuation de la sècheuse doit être fixé sur la bouche d'évacuation de la sècheuse et dans le clapet d'évacuation. S'assurer que le conduit d'évacuation est fixé au clapet d'évacuation à l'aide d'une bride de fixation de 4 po (10,2 cm).
2. Placer la sècheuse à l'emplacement final désiré. Ne pas écraser ni déformer le conduit d'évacuation. Vérifier que la sècheuse est de niveau.
3. (Sur les modèles à gaz) Vérifier que le tuyau de gaz flexible n'est pas déformé ou écrasé.

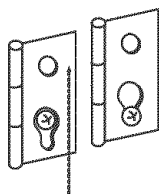
## Inversion de l'ouverture de la porte (facultatif)

On peut changer l'ouverture de la porte du côté droit au côté gauche si désiré.

### Grande porte réversible à pivotement latéral

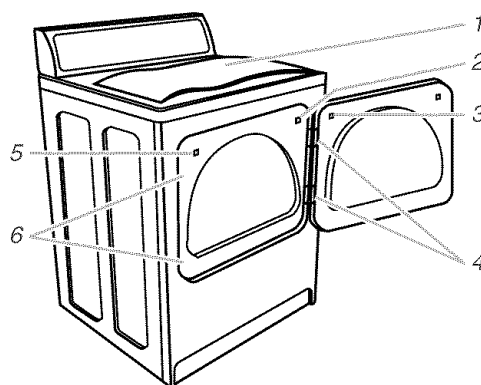


1. Placer une serviette (1) sur la sècheuse pour protéger la surface.
2. Ouvrir la porte de la sècheuse. Ôter les vis inférieures fixant les charnières (3) sur la caisse. Desserrer (sans les ôter) les vis supérieures fixant les charnières sur la caisse.
3. Soulever la porte suffisamment pour que les vis supérieures de la caisse se trouvent dans la partie élargie des trous des charnières. Tirer la porte vers l'avant pour la dégager des vis. Placer la porte sur le dessus de la sècheuse. Ôter les vis supérieures de la caisse.
4. Utiliser un petit tournevis à lame plate pour ôter soigneusement quatre bouchons d'obturation (4) du côté gauche de la caisse. Insérer les bouchons dans les trous de charnières du côté droit de la caisse.
5. Insérer les vis dans les trous inférieurs du côté gauche de la caisse. Serrer les vis à moitié. Placer la porte de telle sorte que la partie élargie du trou de charnière se trouve au-dessus des vis. Glisser la porte vers le haut de sorte que les vis se trouvent au bas des fentes. Serrer les vis. Insérer les vis supérieures dans les charnières et les serrer.

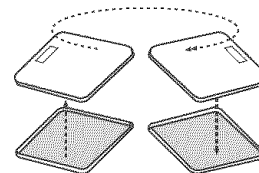


6. Fermer la porte et vérifier que la gâche de la porte est alignée avec le loquet (2) de la porte. Au besoin, déplacer la gâche de la porte vers la gauche ou la droite dans son logement pour ajuster l'alignement.

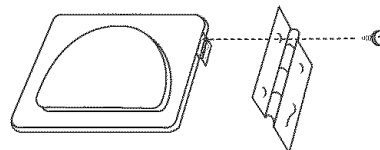
### Porte extra large réversible à pivotement latéral



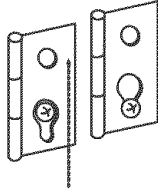
1. Placer une serviette (1) sur la sècheuse pour protéger la surface.
2. Ouvrir la porte de la sècheuse. Ôter les vis inférieures fixant les charnières (4) sur la caisse. Desserrer (sans les ôter) les vis supérieures fixant les charnières sur la caisse.
3. Soulever la porte suffisamment pour que les vis supérieures de la caisse se trouvent dans la partie élargie des trous des charnières. Tirer la porte vers l'avant pour la dégager des vis. Placer la porte (poignée vers le haut) sur la table de la sècheuse. Ôter les vis supérieures de la caisse.
4. Enlever les vis qui fixent les charnières sur la porte.
5. Enlever les vis au sommet, en bas et sur le côté de la porte (4 vis). En tenant la porte au-dessus de la serviette sur la sècheuse, saisir les côtés de la section externe de la porte et soulever prudemment pour la séparer de la section interne de la porte. Ne PAS essayer de séparer les deux sections avec un couteau à mastic. Ne PAS tirer sur le joint de la porte ou sur les loquets de plastique de la porte.
6. Veillez à maintenir la plaque de carton d'espacement centrée entre les deux sections de la porte. Réassembler la section externe et la section interne de la porte de telle manière que la poignée soit orientée du côté où les charnières viennent d'être enlevées.



7. Fixer les charnières sur la porte de telle manière que la partie élargie des trous de fixation soit orientée vers le bas.



8. Enlever la gâche de la porte (5) de la caisse. Utiliser un petit tournevis à lame plate pour ôter soigneusement 4 bouchons d'obturation (6) du côté gauche de la caisse. Insérer les bouchons dans les trous de charnière du côté droit de la caisse.
9. Insérer les vis dans les trous inférieurs du côté gauche de la caisse. Serrer les vis à moitié. Placer la porte de telle sorte que la partie élargie du trou de charnière se trouve au-dessus des vis. Glisser la porte vers le haut de telle sorte que les vis se trouvent au bas des fentes. Serrer les vis. Insérer les vis supérieures dans les charnières et les serrer.



10. Enlever le bouchon d'obturation de la gâche de la porte (2). Insérer dans le trou la gâche qui a été enlevée à l'étape 8; fixer la gâche avec la vis. Insérer le bouchon d'obturation dans le trou d'où la gâche avait été initialement extraite; fixer le bouchon avec la vis.
11. Fermer la porte; vérifier que la gâche de la porte est alignée avec le loquet (3). Au besoin, déplacer la gâche de la porte vers la gauche ou vers la droite dans son logement pour ajuster l'alignement.

## Achever l'installation

1. Vérifier que toutes les pièces sont installées. S'il reste une pièce, passer en revue les différentes étapes pour découvrir laquelle aurait été oubliée.
2. S'assurer d'avoir tout l'outillage nécessaire.
3. Jeter tout le matériel d'emballage.
4. Vérifier l'emplacement définitif de la sècheuse. S'assurer que le conduit d'évacuation n'est pas écrasé ou déformé.
5. Vérifier que la sècheuse est de niveau (voir "Mise à niveau de la sècheuse").
6. Brancher la sècheuse sur une prise reliée à la terre. Mettre le courant.
7. Retirer la pellicule de protection bleue sur le panneau de commande et le ruban resté sur la sècheuse.
8. Lire "Instructions d'utilisation de la sècheuse".
9. Essuyer soigneusement le tambour de la sècheuse avec un chiffon humide pour éliminer toute trace de poussière.
10. Régler la sècheuse sur un programme de séchage complet (pas le programme de séchage sans chaleur) de 20 minutes et mettre la sècheuse en marche.

### Si la sècheuse ne démarre pas, vérifier ce qui suit :

- Les commandes sont réglées à la position de marche ou "On".
  - Le bouton Start (mise en marche) a été enfoncé fermement.
  - La sècheuse est branchée sur une prise reliée à la terre.
  - L'alimentation électrique est connectée.
  - Les fusibles sont intacts et serrés; ou le disjoncteur n'est pas déclenché.
  - La porte de la sècheuse est fermée.
11. Après 5 minutes de fonctionnement, ouvrir la porte de la sècheuse et voir s'il y a de la chaleur.

### Si la sècheuse n'est pas chaude à l'intérieur, désactiver la sècheuse et vérifier ce qui suit :

- Il peut y avoir 2 fusibles ou disjoncteurs pour la sècheuse. Vérifier que les fusibles sont intacts et serrés ou que les deux disjoncteurs ne se sont pas déclenchés. S'il n'y a toujours pas de chaleur, contacter un technicien qualifié.

**REMARQUE** : Il est possible que la sècheuse dégage une odeur de brûlé lors du chauffage initial. Cette odeur est normale lorsque l'élément chauffant est utilisé pour la première fois. L'odeur disparaîtra.