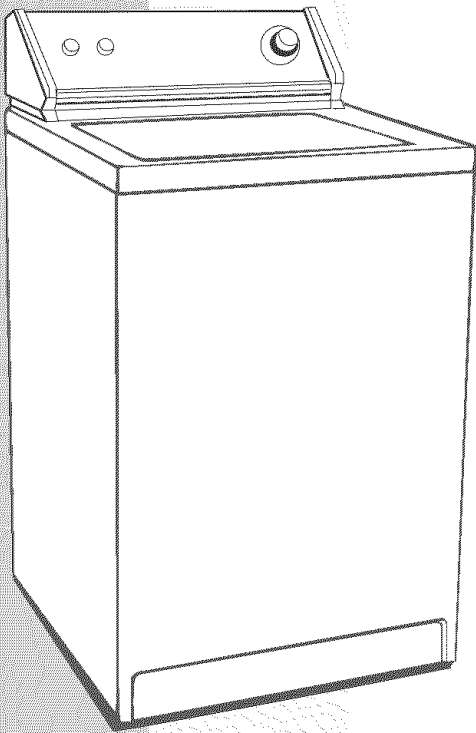


✓ Installation Instructions



120-volt 60-Hz Washer

IMPORTANT:
Read and save these
instructions.

IMPORTANT:

Installer: Leave Installation Instructions with the homeowner.

Homeowner: Keep Installation Instructions for future reference.

Save Installation Instructions for local electrical inspector's use.

Part No. 3952817 Rev. B

Your safety and the safety of others are very important.

We have provided many important safety messages in this manual and on your appliance. Always read and obey all safety messages.



This is the safety alert symbol.

This symbol alerts you to potential hazards that can kill or hurt you and others.

All safety messages will follow the safety alert symbol and either the word "DANGER" or "WARNING". These words mean:

⚠ DANGER

You can be killed or seriously injured if you don't immediately follow instructions.

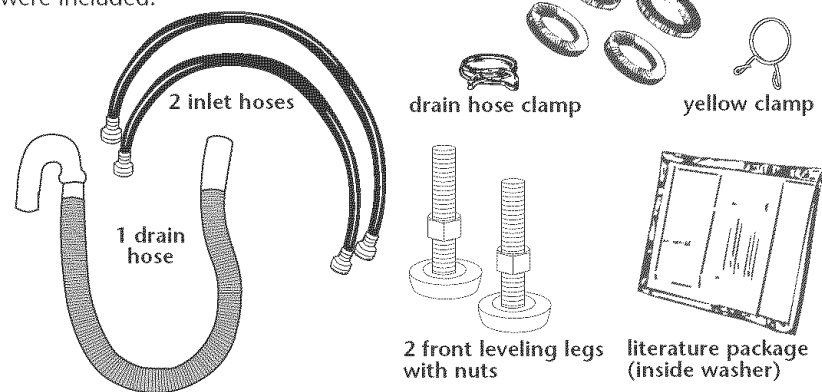
⚠ WARNING

You can be killed or seriously injured if you don't follow instructions.

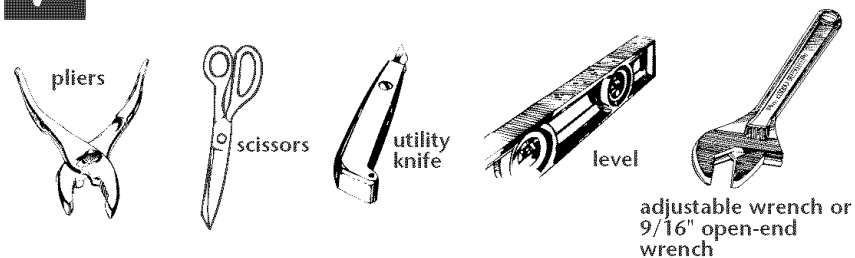
All safety messages will tell you what the potential hazard is, tell you how to reduce the chance of injury, and tell you what can happen if the instructions are not followed.

✓ Parts supplied:

Open lid and remove parts from inside washer. Check that all parts were included.

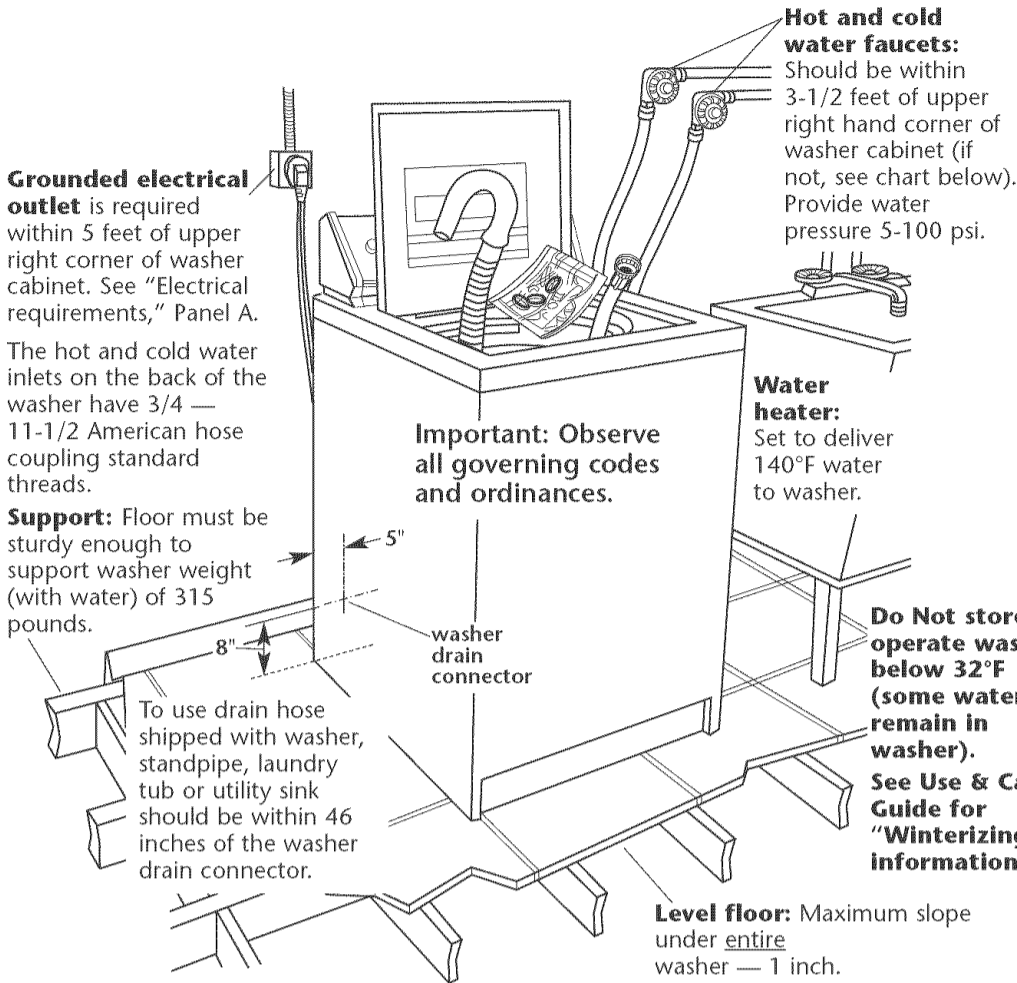


✓ Tools needed:



Before you start...

Location of washer: Check location where washer will be installed. Make sure you have everything necessary for correct installation. Proper installation is your responsibility.



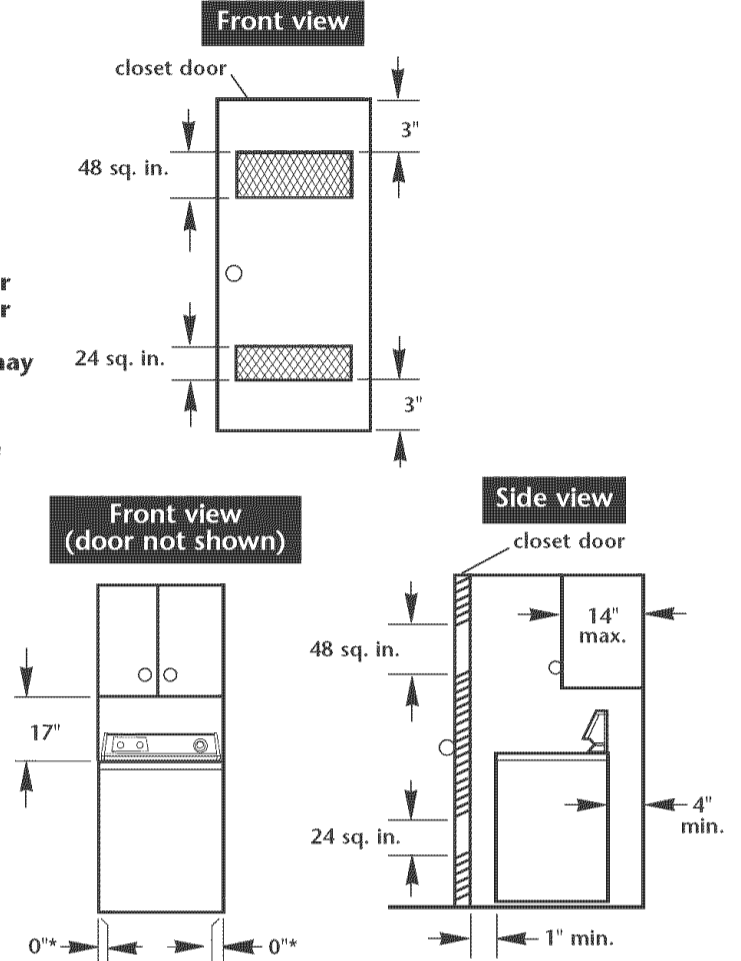
Recessed area instructions

This washer may be installed in a recessed area or closet.

The installation dimensions shown are the minimum spaces allowable. Additional spacing should be considered for ease of installation and servicing. If closet door is installed, the minimum air

openings in top and bottom of door are required. Louvered doors with air openings in top and bottom are acceptable. Companion appliance spacing should be considered.

Minimum installation spacing



* Additional clearances for wall, door and floor moldings may be required.

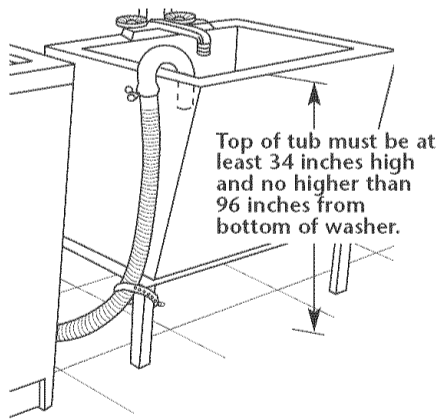
If your home has:	You will need to buy:
39" high, 2" dia. standpipe	nothing. If your installation is different, see "Drain system" below.
1" dia. standpipe	2" dia. to 1" dia. standpipe adapter, Part No. 3363920.
floor drain	siphon break, Part No. 285320; additional drain hose, Part No. 3357090; and Connector Kit, Part No. 285442.
overhead sewer	standard 20 gal., 34" high laundry tub or utility sink, sump pump and connectors (available from local plumbing suppliers).
standard 20 gal., 34" high laundry tub or utility sink	nothing.
water not close by	2 longer water inlet hoses: 6 ft. hoses, Part No. 76313 or 10 ft. hoses, Part No. 350008.

Parts listed are available from your local dealer or authorized parts distributor.

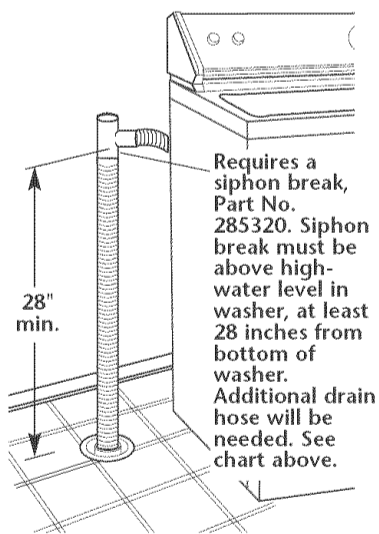
Drain system: Remove parts package. Untape and open washer lid. Remove literature package from washer. Look at drain systems below to decide which system to use.

1. Laundry tub or utility sink drain system:

Needs a 20-gallon laundry tub.

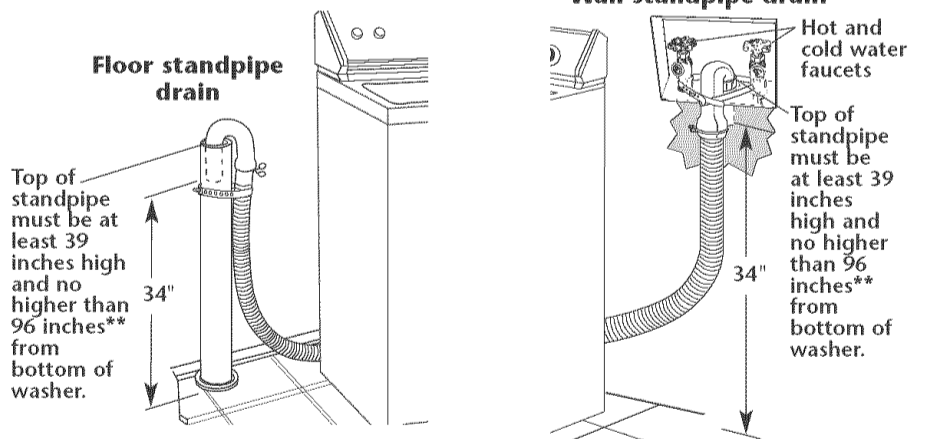


2. Floor drain system:



3. Standpipe drain system:

Needs a two-inch minimum diameter standpipe with minimum carry-away capacity of 17 gallons per minute. A 2" dia. to 1" dia. standpipe adapter, Part No. 3363920, must be used with 1" dia. drain systems.



**If the drain height is greater than 96 inches, a sump pump system must be used.

If a longer drain hose is needed, use complete drain hose assembly (56 inches long), Part No. 661575, or drain hose (21 inches long), Part No. 3357090, and Connector Kit, Part No. 285442. These kits are available from your local dealer or an authorized parts distributor.

Electrical requirements

WARNING



Electrical Shock Hazard
 Plug into a grounded 3-prong outlet.
 Do not remove ground prong.
 Do not use an adapter.
 Do not use an extension cord.
 Failure to follow these instructions can result in death, fire, or electrical shock.

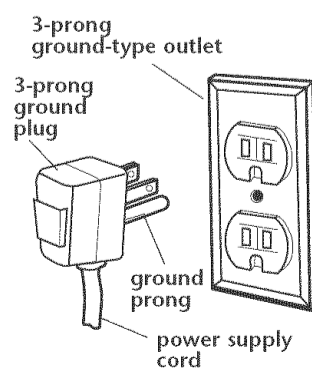
If codes permit and a separate ground wire is used, it is recommended that a qualified electrician determine that the ground path is adequate.

Do Not ground to a gas pipe.
 Check with a qualified electrician if you are not sure the washer is properly grounded.

Do Not have a fuse in the neutral or ground circuit.

A 120-volt, 60-Hz, Ac-only, 15- or 20-ampere, fused electrical supply is required. Time-delay fuse or circuit breaker is recommended. It is recommended that a separate circuit serving only this appliance be provided.

Recommended ground method

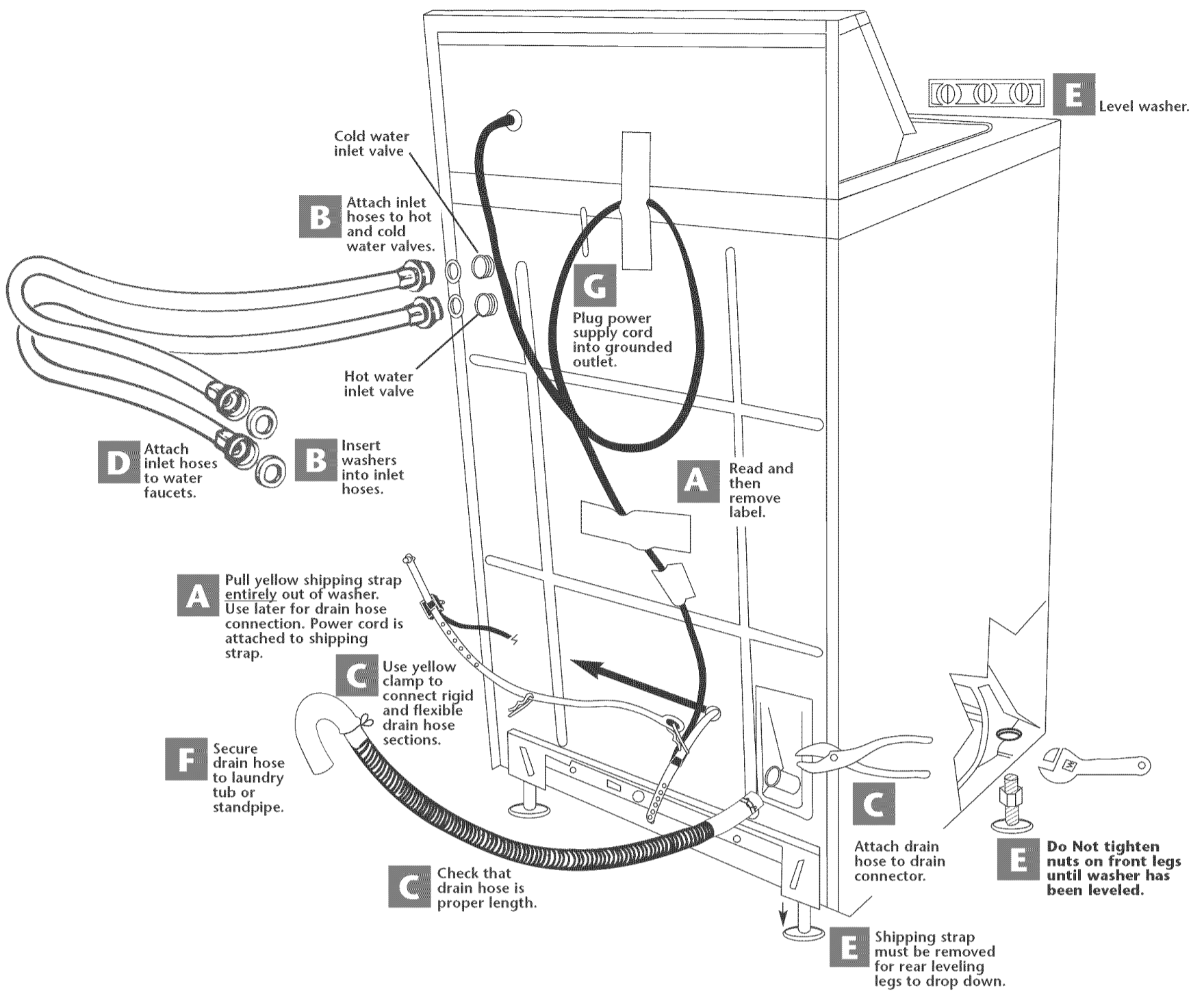


For your personal safety, this washer must be grounded. This washer is equipped with a power supply cord having a 3-prong ground plug.

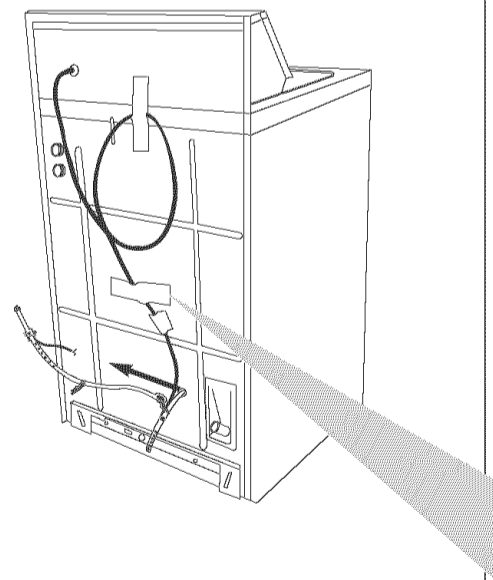
To minimize possible shock hazard, the cord must be plugged into a mating, 3-prong, ground-type outlet, grounded in accordance with local codes and ordinances. If a mating outlet is not available, it is the personal responsibility and obligation of the customer to have the properly grounded outlet installed by a qualified electrician.

WARNING - Improper connection of the equipment-grounding conductor can result in a risk of electric shock. Check with a qualified electrician or serviceman if you are in doubt as to whether the appliance is properly grounded. Do not modify the plug provided with the appliance - if it will not fit the outlet, have a proper outlet installed by a qualified electrician.

Now start... With washer in laundry area.



A Preparation:

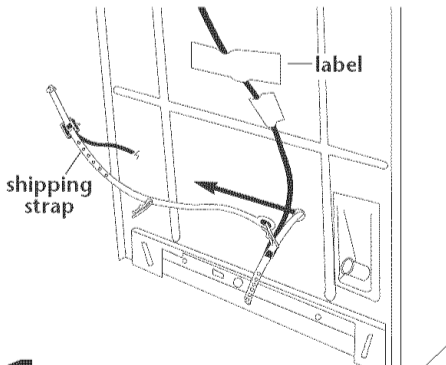


! WARNING

Excessive Weight Hazard
Use two or more people to move and install washer. Failure to do so can result in back or other injury.

SLIDE WASHER ONTO CARDBOARD OR HARDBOARD BEFORE MOVING ACROSS FLOOR.

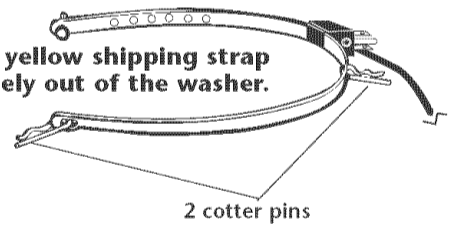
Move washer close to its final location.



1. Read, then remove label that covers power supply cord.

Remove yellow shipping strap.

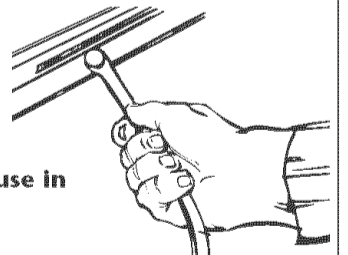
Pull the yellow shipping strap completely out of the washer.



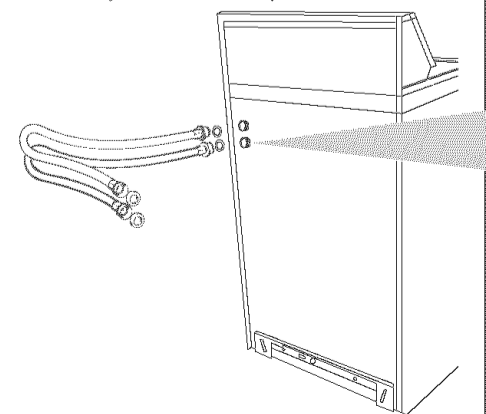
2. Pull yellow shipping strap with two cotter pins entirely out of washer. The power supply cord will still be attached to shipping strap.

3. Pull firmly to remove the other end of shipping strap from the back of the washer to release self-leveling legs.

Save the shipping strap for use in Step 17.

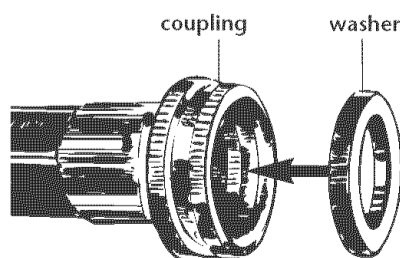


B Inlet hose connection: (to washer)



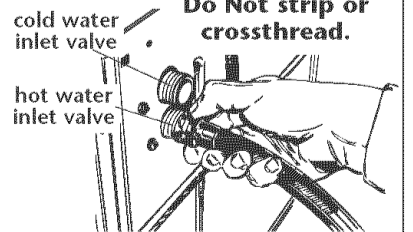
Use new hoses and washers that came with your washer.

Check inlet hoses periodically. Replace inlet hoses if you find bulges, kinks, cuts, wear or leaking. Replace inlet hoses after five years of use.



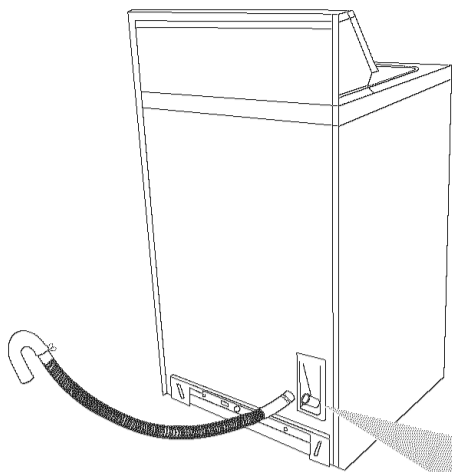
4. Insert a flat washer into each end of the inlet hoses. Check that washers are firmly seated in couplings.

Inlets are plastic. Do Not strip or crossthread.

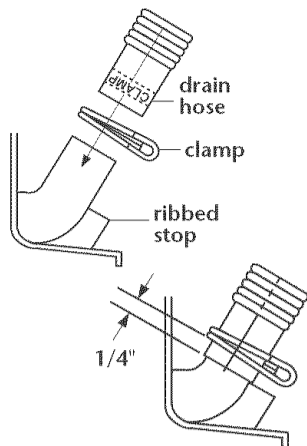


5. Attach one hose to the hot water (bottom) inlet valve first; then other hose to the cold water (top) inlet valve. Tighten couplings by hand. Then use pliers to make an additional two-thirds turn. **DO NOT OVERTIGHTEN;** this could cause damage to couplings.

C Drain hose connection:



IMPORTANT: THIS PROCEDURE MUST BE FOLLOWED TO ASSURE PROPER INSTALLATION.



6. To prevent the drain hose from coming off or leaking, it must be installed per the following instructions.

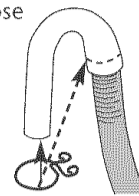
- Wet the inside end of the drain hose with tap water. **DO NOT USE ANY OTHER LUBRICANT.**
- Squeeze ears of drain hose clamp with pliers to open and place clamp over the end of the drain hose.
- Open clamp and push end of drain hose onto drain connector until hose contacts ribbed stop.
- Place clamp over area marked "clamp". Release clamp.

7. Standpipe or laundry tub drain system:

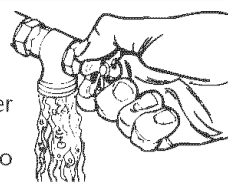
Open yellow clamp and slide over "hook" end of drain hose to secure the rubber and corrugated sections together.

Floor drain system:

Do Not install "hook" end of drain hose to corrugated section. Consult your plumber for proper installation.



8. Run water through both faucets into a bucket to get rid of particles in the water lines that might clog hoses. Mark the hot water faucet.



9. Put "hook" end of drain hose into laundry tub or standpipe. Check for proper length of drain hose.

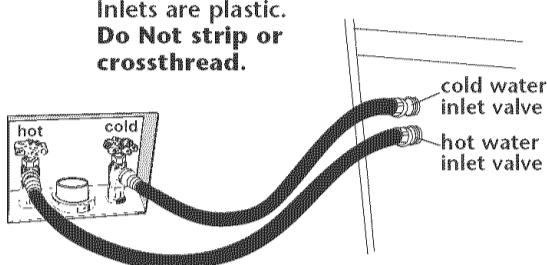
To prevent drain water from going back into washer:

- **Do Not** straighten "hook" end of drain hose and force excess drain hose into standpipe.
- **Do Not** lay excess drain hose in bottom of laundry tub.

D Inlet hose connection: (to water faucets)

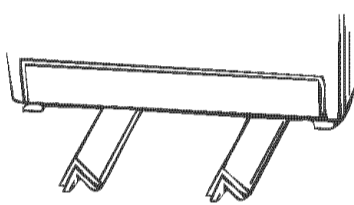
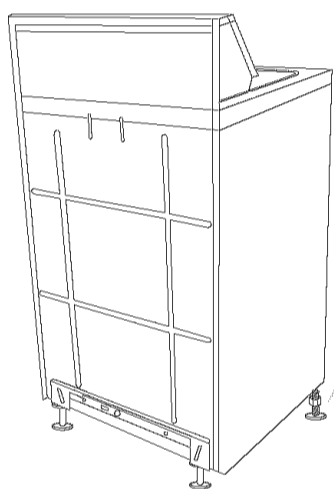
Check inlet hoses periodically. Replace inlet hoses if you find bulges, kinks, cuts, wear or leaking. Replace inlet hoses after five years of use.

Inlets are plastic. Do Not strip or crossthread.

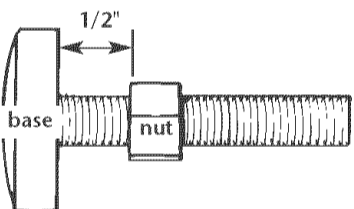


10. Attach bottom hose from the inlet marked "H" to the hot water faucet. Attach top hose from the inlet marked "C" to the cold water faucet. Tighten couplings to faucets. **DO NOT OVERTIGHTEN;** this could cause damage to couplings.

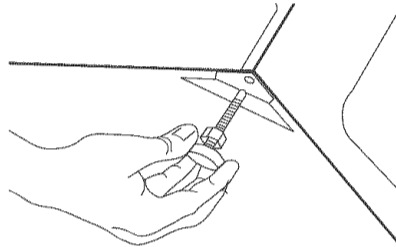
E Leveling washer:



11. Stack two corner posts on top of each other and position them 3 inches from each side of the washer. Grasp the top, front corners of the washer and tilt backward until bottom, front of washer is 3-4 inches off the floor and slide corner posts under washer as shown.



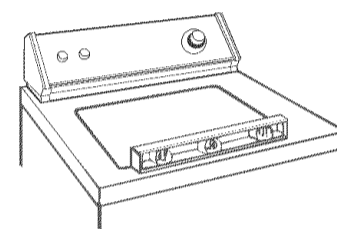
12. Screw nut down on legs to within 1/2 inch of base.



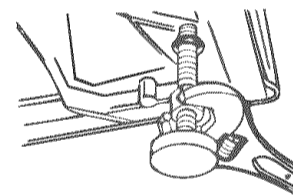
13. Insert legs into correct holes at each front corner of washer until nuts touch washer. **DO NOT** tighten nuts until Step 16.

14. Grasp top front corners to tilt washer backward and remove corner post(s). Gently lower washer to floor.

Use outside corners of the cabinet to move washer to its final location. Remove cardboard or hardboard from under washer.



15. Tilt washer forward slightly so that back legs are about 1 inch off floor. Drop washer to floor. Check levelness of the washer by placing a carpenter's level on top of the washer, first side to side; then front to back.

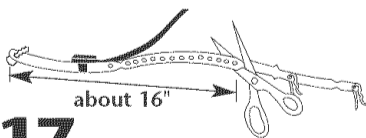


16. If washer is not level, repeat Step 11, and adjust the front legs up or down. Then repeat Steps 14 & 15.

When washer is level, use wrench to turn nuts on front legs up tightly against washer base. If nuts are not tight against washer base, the washer may vibrate.

F Securing drain hose:

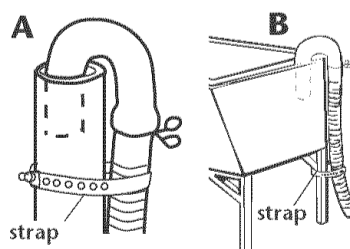
NOTE: Use shipping strap to secure drain hose. Water pressure could cause drain hose to come out of standpipe or laundry tub if drain hose is not secured.



17. After shipping strap has been removed (Step 1), look for the words "cut here" marked on the shipping strap, about 16 inches from plug end.

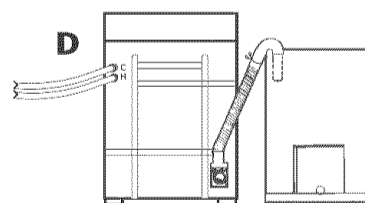
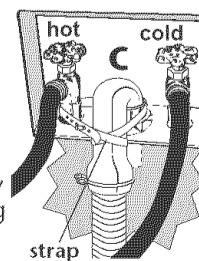
Cut the shipping strap at this mark. Pull shipping strap out of the power supply cord.

Check that hose is not twisted or kinked and is securely in place.



Put "hook" end of drain hose in laundry tub or standpipe. Tightly wrap the shipping strap around the drain hose and laundry tub or standpipe as shown in Figures A-B. Push plug into the nearest hole in the shipping strap.

If the water inlet faucets and drain standpipe are recessed, put "hook" end of drain hose in standpipe. Tightly wrap the shipping strap around the drain hose and faucet body (not the handles or stems) as shown in Figure C. Push plug into the nearest hole in the shipping strap.

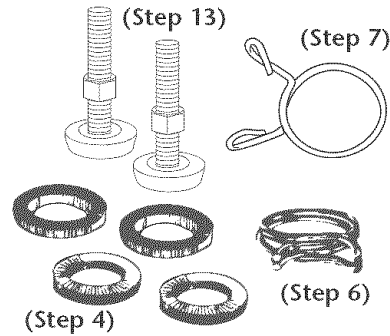


If a longer drain hose is needed, use a 21" or 54" drain hose and Connector Kit, Part No. 285442. If drain hose must be shortened, use Connector Kit Part No. 285442. These parts are available from your local dealer or authorized parts distributor.

Note: If washer is moved to adjust drain hose, the washer must be leveled again. Repeat Steps 15-16. Place cardboard under the washer and carefully move washer to avoid damaging floor covering.

G Completing Installation:

18. CHECK ELECTRICAL REQUIREMENTS. BE SURE YOU HAVE CORRECT ELECTRICAL SUPPLY AND RECOMMENDED GROUND METHOD.



19. Check that all parts are now installed. If there is an extra part, go back through steps to see which step was skipped.

20. Turn on water faucets and check for leaks. Tighten couplings if there is leaking. **DO NOT OVERTIGHTEN;** this could cause damage to couplings.



21. Check that you have all of your tools. Check that the yellow shipping strap was removed from the back of the washer and used to secure the drain hose.

22. Plug power supply cord into grounded outlet.

23. Read the Use and Care Guide. Start the washer and allow it to complete the regular cycle.

Congratulations!

You have successfully installed your new washer. To get the most efficient use from your new washer, read your Use and Care Guide.

Keep Installation Instructions and Guide.

H Need Assistance?

Call your dealer or local authorized service company.

When you call, you will need the washer model number and serial number. Both numbers are on the model/serial rating plate located under the washer lid and on the top of the washer.