

KitchenAid®

WARMING DRAWER

Use & Care Guide

In the U.S.A, for questions about features, operation, performance, parts, accessories or service, call: **1-800-422-1230**
In Canada, for product related questions, call: **1-800-461-5681**, for parts, accessories and service, call: **1-800-807-6777** or visit our website at...

www.kitchenaid.com or www.kitchenaid.com/canada

TIROIR DE RÉCHAUFFAGE

Guide d'utilisation et d'entretien

Au Canada, pour des questions concernant le produit, composer le **1-800-461-5681**, pour pièces, accessoires et service, le **1-800-807-6777** ou visitez notre site web à....

www.kitchenaid.com/canada

Table of Contents/Table des matières 2



MODELS/MODÉLES : KEWD105 KEWD175

8300560

TABLE OF CONTENTS

WARMING DRAWER SAFETY	3
PARTS AND FEATURES	4
BEFORE USING YOUR WARMING DRAWER	5
Electrical Requirements	5
WARMING DRAWER USE	5
Setting the Controls	5
Positioning Racks and Pans	6
How to Use	6
Warming Serving Bowls and Plates	7
Raising (Proofing) Bread	7
Using Aluminum Foil	7
WARMING DRAWER CARE	7
Drawer Slides	7
Warming Drawer Removal	7
Cleaning the Drawer	8
TROUBLESHOOTING	8
ASSISTANCE OR SERVICE	9
WARRANTY	10

TABLE DES MATIÈRES

SÉCURITÉ DU TIROIR DE RÉCHAUFFAGE	11
PIÈCES ET CARACTÉRISTIQUES	13
AVANT L'UTILISATION DU TIROIR DE RÉCHAUFFAGE	14
Spécifications Électriques	14
UTILISATION DU TIROIR DE RÉCHAUFFAGE	14
Réglage des Commandes	14
Positionnement des Grilles et des Plats	15
Utilisation	15
Réchauffage des Bols et des Assiettes à Servir	16
Levée du Pain	16
Utilisation de Papier D'aluminium	16
ENTRETIEN DU TIROIR DE RÉCHAUFFAGE	17
Glissières du Tiroir	17
Enlèvement du Tiroir	17
Nettoyage du Tiroir	17
DÉPANNAGE	18
ASSISTANCE OU SERVICE	19
GARANTIE	20

WARMING DRAWER SAFETY

Your safety and the safety of others are very important.

We have provided many important safety messages in this manual and on your appliance. Always read and obey all safety messages.



This is the safety alert symbol.

This symbol alerts you to potential hazards that can kill or hurt you and others.

All safety messages will follow the safety alert symbol and either the word "DANGER" or "WARNING." These words mean:

! DANGER

You can be killed or seriously injured if you don't immediately follow instructions.

! WARNING

You can be killed or seriously injured if you don't follow instructions.

All safety messages will tell you what the potential hazard is, tell you how to reduce the chance of injury, and tell you what can happen if the instructions are not followed.

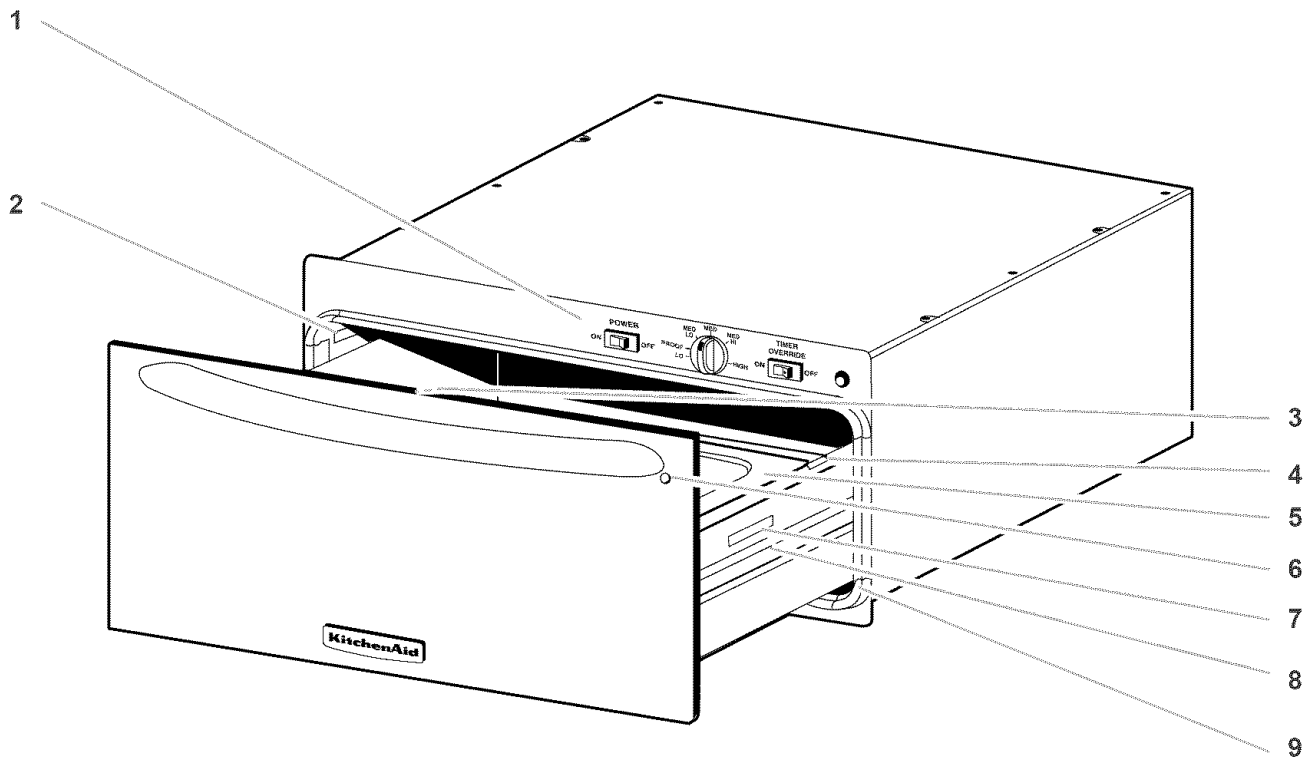
IMPORTANT SAFETY INSTRUCTIONS

WARNING: To reduce the risk of fire, electrical shock, injury to persons, or damage when using the warming drawer, follow basic precautions, including the following:

- Proper Installation – Be sure the warming drawer is properly installed and grounded by a qualified technician.
- Never Use the Warming Drawer for Warming or Heating the Room.
- Do Not Leave Children Alone – Children should not be left alone or unattended in area where warming drawer is in use. They should never be allowed to sit or stand on any part of the warming drawer.
- Wear Proper Apparel – Loose-fitting or hanging garments should never be worn while using the warming drawer.
- User Servicing – Do not repair or replace any part of the warming drawer unless specifically recommended in the manual. All other servicing should be referred to a qualified technician.
- Storage in Warming Drawer – Flammable materials should not be stored in a warming drawer.
- Do Not Use Water on Grease Fires – Smother fire or flame or use dry chemical or foam-type extinguisher.
- Use Only Dry Potholders – Moist or damp potholders on hot surfaces may result in burns from steam. Do not let potholder touch hot heating elements. Do not use a towel or other bulky cloth.
- Use Care When Opening Door – Let hot air or steam escape before removing or replacing food.
- Do Not Heat Unopened Food Containers – Build-up of pressure may cause container to burst and result in injury.
- Placement of Warming Drawer Racks – Always place warming drawer racks in desired location while warming drawer is cool. If rack must be moved while warming drawer is hot, do not let potholder contact hot heating element in warming drawer.
- DO NOT TOUCH HEATING ELEMENTS OR INTERIOR SURFACES OF WARMING DRAWER – Heating elements may be hot even though they are dark in color. Interior surfaces of a warming drawer become hot enough to cause burns. During and after use, do not touch, or let clothing or other flammable materials contact heating elements or interior surfaces of warming drawer until they have had sufficient time to cool. Other surfaces of the warming drawer may become hot enough to cause burns – among these surfaces are warming drawer vent openings and surfaces near these openings and warming drawer doors.

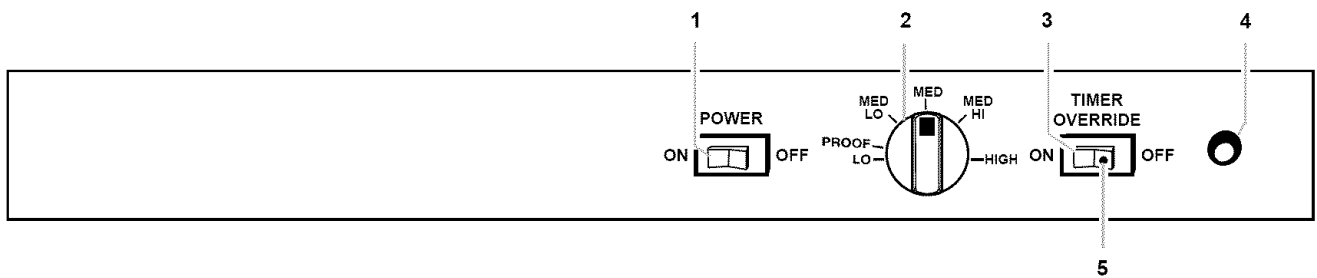
SAVE THESE INSTRUCTIONS

PARTS AND FEATURES



- | | | |
|----------------------------------|----------------------------|--------------------------------|
| 1. Control Panel | 4. Pan Support and Locator | 7. Consumer Information Number |
| 2. Model and Serial Number Plate | 5. Pans | 8. Drawer Slide |
| 3. Moist-Dry Slide (not shown) | 6. "ON" Light Viewer | 9. Gasket |

Control Panel



- | | | |
|-----------------------------|-------------------------------|-------------------------|
| 1. Power "ON" Switch | 3. Timer Override Switch | 5. Timer Override Light |
| 2. Temperature Control Knob | 4. Power "ON" Indicator Light | |

BEFORE USING YOUR WARMING DRAWER

Electrical Requirements

⚠ WARNING



Electrical Shock Hazard

Plug into a grounded 3 prong outlet.

Do not remove ground prong.

Do not use an adapter.

Do not use an extension cord.

Failure to follow these instructions can result in death, fire, or electrical shock.

It is important to make sure you have the proper electrical connection:

A 115 Volt, 60 Hz., AC only 15 or 20 amperes electrical supply, properly grounded in accordance with the National Electrical Code and local codes and ordinances, is required.

It is recommended that a separate circuit, serving only your warming drawer, be provided.

Recommended grounding method

For your personal safety, this appliance must be grounded. This appliance is equipped with a power supply cord having a 3 prong grounding plug. To minimize possible shock hazard, the cord must be plugged into a mating, 3 prong, grounding-type wall receptacle, grounded in accordance with the National Electrical Code and local codes and ordinances. If a mating wall receptacle is not available, it is the personal responsibility of the customer to have a properly grounded, 3 prong wall receptacle installed by a qualified electrician.

WARMING DRAWER USE

Setting the Controls

⚠ WARNING

Food Poisoning Hazard

Do not let food sit for more than one hour before or after cooking.

Doing so can result in food poisoning or sickness.

Power "ON" switch

Press the Power "ON" switch to turn the unit on.

Power "ON" Indicator light

The Indicator light is located on the right side of the Timer Override switch. Once the power is turned on, the red indicator light will illuminate. When the unit is turned off automatically or manually, the Indicator light will go out and the drawer will begin to cool.

Temperature control knob

The temperature is controlled by rotating the control knob to the desired setting. The temperature ranges from approximately 90°F (32°C) (LO) to 225°F (107°C) (HIGH).

Timer

The Warming Drawer has an automatic 4 hour timer. After 4 hours, the unit will shut off. Although the automatic timer is set for a 4 hour period, do not leave any food items in the Warming Drawer for more than one hour. Bacterial growth may occur.

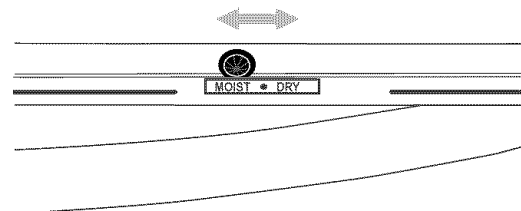
NOTE: The Timer can be turned off using the Timer Override switch.

Timer Override switch

The Timer Override switch allows you to run the unit past 4 hours, until it is turned off manually with the Power switch. It is recommended that the switch be left in the OFF position, unless longer warming times are required. When the Override switch is in the ON position, the light on the switch will illuminate to notify that the Timer has been bypassed.

IMPORTANT: Although the Timer can be bypassed by using the Timer Override switch, never allow food items to remain in the Warming Drawer longer than one hour. Bacterial growth may occur.

Moist-Dry slide



The Moist-Dry slide allows you to open or close the vent slots in the door. The MOIST setting holds the moisture in. The DRY setting allows steam/moisture to escape from the drawer.

NOTE: Condensation may form on inner surfaces.

- **To keep foods moist**, put slide on MOIST, closing vents. Closing the vents seals the drawer, keeping hot food soft and moist.
- **To keep foods crisp**, put slide on DRY, opening vents. With the vents open the moisture is released from the drawer, keeping hot food crisp.

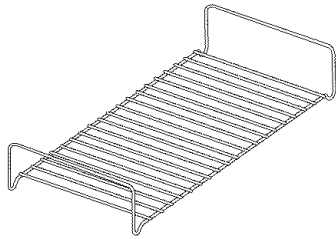
Positioning Racks and Pans

Dual level rack

The rack accompanying your drawer can be used in two different positions, high and low.

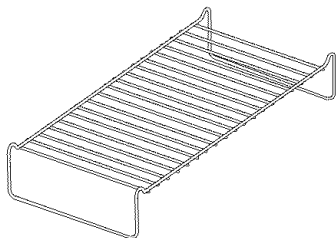
Low position

Raises the utensil ½ inch (1.27 cm) from bottom of drawer.



High position

Lets you stack items in the drawer.



To stack items:

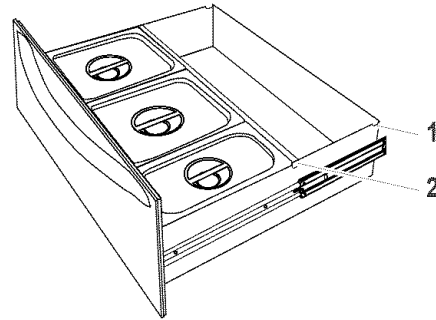
- Rack will fit from front to back or side to side.
- NOTE:** When placing front to back, drawer must be fully open.
- It may be necessary to cover some foods and use a higher temperature setting with larger loads.
- To warm both cooked foods and empty serving dishes at the same time, place the serving dishes on the drawer bottom during preheat and the food on the high rack position after preheat.
- Foods contained in heat-safe glass or glass ceramic utensils may require a higher temperature setting than food contained in metal utensils.
- Extra time should be allotted for the drawer temperature to stabilize, when adding items or checking food.

Pans

- The pans provided can withstand oven temperatures and are approved for oven cooking.
- If not cooking in pan, warm pans during preheat time. Food temperature will fall below recommended levels if pan is not warm.

- Ensure pan support is properly installed in locator notch before inserting pans.

30" (76 cm) shown
27" (68 cm) not shown



1. Storage notch
2. Locator pan support

NOTE: 27" (68 cm) model comes with only 2 pans.

- When not using pans, place locator pan support in storage notch.

How to Use

The Warming Drawer is intended to hold hot foods warm after cooking and is not intended for cooking foods.

1. Press the Power "ON" switch to turn the unit on.
2. Select MOIST or DRY setting.
3. Set drawer to desired temperature setting (example: LO, MED LO, MED, MED HIGH, HIGH).
4. Allow drawer to preheat:
 - LO - 5 minutes
 - MED - 8 minutes
 - HIGH - 10 minutes
- Preheat with rack and/or pans in desired position, if using accessories.
- Preheat empty serving dishes when preheating drawer.
5. Place hot cooked food in cooking utensil or heat-safe serving dish/container. Place food in drawer.
 - Aluminum foil can be used to cover food.
 - Do not use plastic wrap to cover foods.

Temperature control chart

You can set the drawer temperature anywhere between LO - HIGH. When keeping several foods hot, set the drawer to the food requiring the highest temperature setting. Place item(s) requiring the highest temperature on the rack and those items requiring the lowest temperature on the bottom of the drawer. Cover is suggested for the bulleted items in the following chart:

Food	Heat and Vent Settings	Pan usage or rack position
Bacon	MED HIGH - MOIST	pan
Beef, medium and well done	MED HIGH - MOIST	low rack
Bread, hard rolls	MED - DRY	low rack
■ Bread, soft rolls	MED - MOIST	low rack

Casseroles	MED - MOIST	high rack
■ Casseroles	MED HIGH - MOIST	low rack
Coffee cake	MED - MOIST	low rack
■ Cooked cereal	MED HIGH - MOIST	low rack
■ Eggs	HIGH - MOIST	pan
Fish, seafood (breaded)	HIGH - MOIST	low rack
■ (no breading)		
■ Fried foods	HIGH - MOIST	pan
■ Gravy, cream sauces	HIGH - MOIST	low rack
Ham	MED HIGH - MOIST	low rack
Hors d'oeuvres (crisp)	HIGH - MOIST	pan
■ (soft)		
Lamb	MED HIGH - MOIST	low rack
■ Pancakes, waffles	HIGH - MOIST	pan
Pies, single crust	MED - MOIST	high rack
Pies, double crust	MED LO - DRY	high rack
■ Pizza	HIGH - MOIST	low rack
Pork	MED HIGH - MOIST	low rack
Potatoes, baked	MED - MOIST	high rack
■ Potatoes, mashed	MED HIGH - MOIST	low rack
■ Poultry	HIGH - MOIST	low rack
■ Vegetables	MED HIGH - MOIST	low rack

Warming Serving Bowls and Plates

- Use only cookware approved for oven use. Follow cookware manufacturer's instructions, especially when using glass or plastic cookware.

Raising (Proofing) Bread

1. Cover dough with lightly oiled wax paper and place temperature safe bowl(s) directly on bottom of drawer.
2. Set control knob to PROOF setting.
3. Place vent on MOIST setting.
4. Check dough periodically for proofing progress.
5. Verify doneness by pressing 2 fingers ½ inch (1.27 cm) into dough; if indentation remains, the dough is ready.
6. For second proofing of dough, cover dough with lightly oiled wax paper and place temperature safe pan(s) directly on bottom of drawer.
7. Follow steps 2 through 4.

Using Aluminum Foil

Do not line drawer with aluminum foil.

- **Keep food covered** if it was cooked with a cover on it.
- **Use narrow strips** of foil to shield piecrust edges from further browning in drawer.
- **Place tent-shaped foil** loosely over meat or poultry to prevent dryness and further browning while in the drawer.
- **The use of aluminum foil** to cover foods may cause moisture to collect and drip into the drawer.

WARMING DRAWER CARE

Drawer Slides

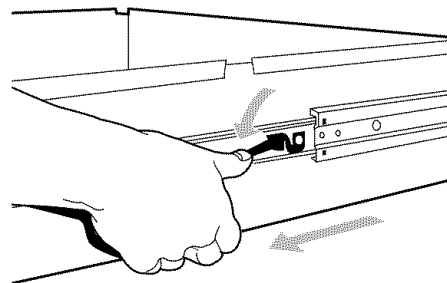
- The drawer slides allow you to fully extend the drawer for easier cleaning. If necessary, the drawer can be removed.
- Load capacity for the drawer and slides is 100 lbs (45 kg).

Warming Drawer Removal

Removing the drawer

Remove all items from inside the Warming Drawer and allow the unit to cool completely before attempting to remove the drawer.

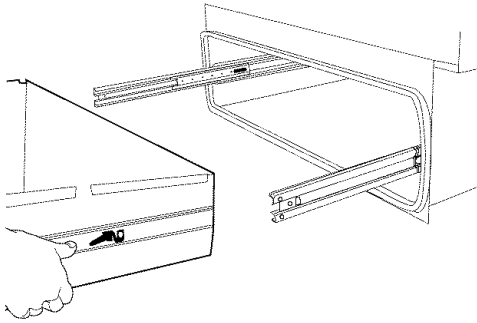
1. Pull drawer to its full open position.
2. Press tab down on right (shown) and lift tab upward on left (not shown), then slide drawer out 1 inch (2.5 cm) to disengage latch.



3. Carefully remove the drawer from the slides holding on to the sides, not the drawer front.

Replacing the drawer

1. Align the drawer guides with the receiving slides.



2. Push drawer in completely. Gently open and close drawer to ensure it is seated properly on the slides.

Cleaning the Drawer

Before cleaning, always make sure that all controls are turned off and the drawer is cool. Refer to the instructions on the containers of all cleaning products before using.

Control knob

- Soap and water
Do not use steel wool or abrasive cleaners.
Pull knob straight away from control panel.
Wash, rinse and dry with soft cloth.

Stainless steel surfaces (control panel, drawer cavity and drawer front)

Routine cleaning and fingerprints

- Liquid detergent/soap and water, or all-purpose cleaner
Wipe with damp cloth or sponge, then wipe with clean water and dry.

Stubborn stains and baked-on residue

- Mildly abrasive cleanser or stainless-steel cleaners
To avoid marring the surface, rub in the direction of grain lines with a damp cloth or sponge and cleanser. Wipe thoroughly with clean water. Repeat if necessary.

Hard water spots

- Vinegar
Swab or wipe with cloth. Wipe with clean water and dry.
DO NOT use steel wool or soap-filled scouring pads.
Rub in the direction of the grain line to avoid marring the surface.
Always wipe dry to avoid water marks.
If commercial cleaners are used, follow label directions. If product contains chlorine (bleach), rinse thoroughly with clean water and dry with a soft lint-free cloth. Chlorine is a corrosive substance.
DO NOT let commercial cleaners come in contact with the gasket.

Warming drawer glass and handle (for black, white and biscuit models)

- Paper towel and spray glass cleaner
Make sure oven is cool.
Follow directions provided with the cleaner.
OR
■ Warm, soapy water and a nonabrasive, plastic scrubbing pad
Wash, wipe with clean water, and dry thoroughly.

Pans

- Mild soap and water
Wash, rinse and dry with soft cloth.
DO NOT put in dishwasher; discoloration will occur.

Drawer rack

- Steel-wool pad and warm, soapy water
Wash, rinse and dry thoroughly.

TROUBLESHOOTING

Drawer does not work

- Is the drawer connected to a power source?
Refer to installation instructions to ensure proper installation.
- Has the household fuse or circuit breaker been tripped?
Replace the fuse or reset the circuit.
- Power switch is in the "ON" position and the indicator light is not illuminated.
Reset unit by turning the Power switch to "OFF" and then "ON". The unit was in the timer mode and ran out of time.

Drawer does not slide properly

- Has the drawer been mounted properly on the slides?
Remove and remount the drawer on the slides. See the "Warming Drawer Care" section for instructions.
- Has the drawer been over-loaded?
Weight inside drawer should not exceed 100 lbs (45 kg).
- Is the drawer load uneven?
Redistribute the contents to balance the weight evenly.

There is excessive moisture on the drawer

- Did you allow preheating time?
Preheat the drawer before each use. See "Using Your Warming Drawer" section for instructions.
- Is the Moist-Dry setting correct?
Set the Moist-Dry slide to "DRY" to vent the moisture.
- Did you cover food with aluminum foil?
See the "Using Aluminum Foil" section for instructions.

Drawer did not shut off automatically

- Have you bypassed the timer?

Check the Timer Override switch. The Timer Override switch must be in the "OFF" position for the Timer to function properly.

ASSISTANCE OR SERVICE

Before calling for assistance or service, please check "Troubleshooting." It may save you the cost of a service call. If you still need help, follow the instructions below.

When calling, please know the purchase date and the complete model and serial number of your appliance. This information will help us to better respond to your request.

If you need replacement parts

If you need to order replacement parts, we recommend that you only use factory specified replacement parts. Factory specified replacement parts will fit right and work right because they are made with the same precision used to build every new KITCHENAID® appliance.

To locate factory specified replacement parts in your area, call our Customer Interaction Center telephone number or your nearest designated service center.

In the U.S.A.

Call the KitchenAid Customer Interaction Center toll free:
1-800-422-1230.

Our consultants provide assistance with:

- Features and specifications on our full line of appliances.
- Installation information.
- Accessory and repair parts sales.
- Specialized customer assistance (Spanish speaking, hearing impaired, limited vision, etc.).
- Referrals to local dealers, repair parts distributors, and service companies. KitchenAid designated service technicians are trained to fulfill the product warranty and provide after-warranty service, anywhere in the United States.

To locate the KitchenAid designated service company in your area, you can also look in your telephone directory Yellow Pages.

For further assistance

If you need further assistance, you can write to KitchenAid with any questions or concerns at:

KitchenAid Brand Home Appliances
Customer Interaction Center
c/o Correspondence Dept.
MD 8020
553 Benson Road
Benton Harbor, MI 49022-2400

Please include a daytime phone number in your correspondence.

In Canada

For product related questions, please call the KitchenAid Canada Customer Interaction Center toll free:

1-800-461-5681 8:30 a.m. - 5:30 p.m. (EST)

Our consultants provide assistance with:

- Features and specifications on our full line of appliances.
- Referrals to local dealers.

For parts, accessories and service in Canada

Call **1-800-807-6777**. KitchenAid designated service technicians are trained to fulfill the product warranty and provide after-warranty service, anywhere in Canada.

For further assistance

If you need further assistance, you can write to KitchenAid Canada with any questions or concerns at:

Customer Interaction Center
KitchenAid Canada
1901 Minnesota Court
Mississauga, Ontario L5N 3A7

Please include a daytime phone number in your correspondence.

WARRANTY KITCHENAID® WARMING DRAWER

FULL ONE-YEAR WARRANTY

For one year from the date of purchase, when this Warming Drawer is operated and maintained according to instructions attached to or furnished with the product, KitchenAid will pay for factory specified replacement parts and repair labor to correct defects in materials or workmanship. Service must be provided by a KitchenAid designated service company.

KitchenAid will not pay for:

1. Service calls to correct the installation of your Warming Drawer, to instruct you how to use your Warming Drawer, to replace house fuses or correct house wiring.
 2. Repairs when your Warming Drawer is used in other than normal, single-family household use.
 3. Damage resulting from accident, alteration, misuse, abuse, fire, flood, acts of God, or use of products not approved by KitchenAid or KitchenAid Canada.
 4. Replacement parts or repair labor costs for units operated outside the United States and Canada.
 5. Pickup and delivery. This product is designed to be repaired in the home.
 6. Repairs to parts or systems resulting from unauthorized modifications made to the appliance.
 7. In Canada, travel or transportation expenses for customers who reside in remote areas.
-

KITCHENAID AND KITCHENAID CANADA SHALL NOT BE LIABLE FOR INCIDENTAL OR CONSEQUENTIAL DAMAGES.

Some states or provinces do not allow the exclusion or limitation of incidental or consequential damages, so this exclusion or limitation may not apply to you. This warranty gives you specific legal rights, and you may also have other rights which vary from state to state or province to province.

Outside the 50 United States and Canada, this warranty does not apply. Contact your authorized KitchenAid dealer to determine if another warranty applies.

If you need service, first see the "Troubleshooting" section of this book. After checking "Troubleshooting," additional help can be found by checking the "Assistance or Service" section or by calling the KitchenAid Customer Interaction Center, **1-800-422-1230** (toll-free), from anywhere in the U.S.A. In Canada, contact your designated KitchenAid Canada Appliance service company or call **1-800-807-6777**.

7/00

Keep this book and your sales slip together for future reference. You must provide proof of purchase or installation date for in-warranty service.

Write down the following information about your Warming Drawer to better help you obtain assistance or service if you ever need it. You will need to know your complete model number and serial number. You can find this information on the model and serial number label, located on your appliance as shown in the Parts and Features section of this book.

Dealer name _____

Address _____

Phone number _____

Model number _____

Serial number _____

Purchase date _____

SÉCURITÉ DU TIROIR DE RÉCHAUFFAGE

Votre sécurité et celle des autres est très importante.

Nous donnons de nombreux messages de sécurité importants dans ce manuel et sur votre appareil ménager. Assurez-vous de toujours lire tous les messages de sécurité et de vous y conformer.



Voici le symbole d'alerte de sécurité.

Ce symbole d'alerte de sécurité vous signale les dangers potentiels de décès et de blessures graves à vous et à d'autres.

Tous les messages de sécurité suivront le symbole d'alerte de sécurité et le mot "DANGER" ou "AVERTISSEMENT". Ces mots signifient :

⚠ DANGER

Risque possible de décès ou de blessure grave si vous ne suivez pas immédiatement les instructions.

⚠ AVERTISSEMENT

Risque possible de décès ou de blessure grave si vous ne suivez pas les instructions.

Tous les messages de sécurité vous diront quel est le danger potentiel et vous disent comment réduire le risque de blessure et ce qui peut se produire en cas de non-respect des instructions.

IMPORTANTES INSTRUCTIONS DE SÉCURITÉ

AVERTISSEMENT : Pour réduire le risque d'incendie, de choc électrique, d'incendie, de blessures ou de dommages lors de l'utilisation du tiroir de réchauffage, il convient d'observer certaines précautions élémentaires dont les suivantes :

- Installation appropriée - S'assurer que le tiroir de réchauffage est correctement installé et relié à la terre par un technicien qualifié.
- Ne jamais utiliser le tiroir de réchauffage pour réchauffer ou chauffer la pièce.
- Ne pas laisser les enfants seuls - Les enfants ne doivent pas être laissés seuls ou sans surveillance dans la pièce où le tiroir de réchauffage est en service. Ne jamais laisser les enfants s'asseoir ou se tenir sur une partie quelconque du tiroir de réchauffage.
- Porter des vêtements appropriés - Des vêtements amples ou détachés ne doivent jamais être portés pendant l'utilisation du tiroir de réchauffage.
- Entretien par l'utilisateur - Ne pas réparer ni remplacer toute pièce du tiroir de réchauffage si ce n'est pas spécifiquement recommandé dans le manuel. Toute autre opération d'entretien ou de réparation doit être confiée à un technicien qualifié.
- Remisage dans le tiroir de réchauffage - Des matériaux inflammables ne doivent pas être remisés dans le tiroir de réchauffage.
- Ouvrir le tiroir avec soin - Laisser l'air ou la vapeur s'échapper avant d'enlever ou de replacer les aliments.
- Ne pas utiliser d'eau pour éteindre un feu de graisse - Éteindre le feu ou les flammes ou utiliser un extincteur à produits chimiques secs, ou un extincteur à mousse.
- N'utiliser que des mitaines sèches - Des mitaines mouillées ou humides sur des surfaces chaudes peuvent provoquer des brûlures provenant de la vapeur. Ne pas laisser les mitaines toucher les éléments chauffants. Ne pas utiliser une serviette ou un tissu épais.
- Ne pas chauffer des contenants non ouverts d'aliments - L'accumulation de pression peut faire exploser le contenant et causer des blessures.

CONSERVEZ CES INSTRUCTIONS

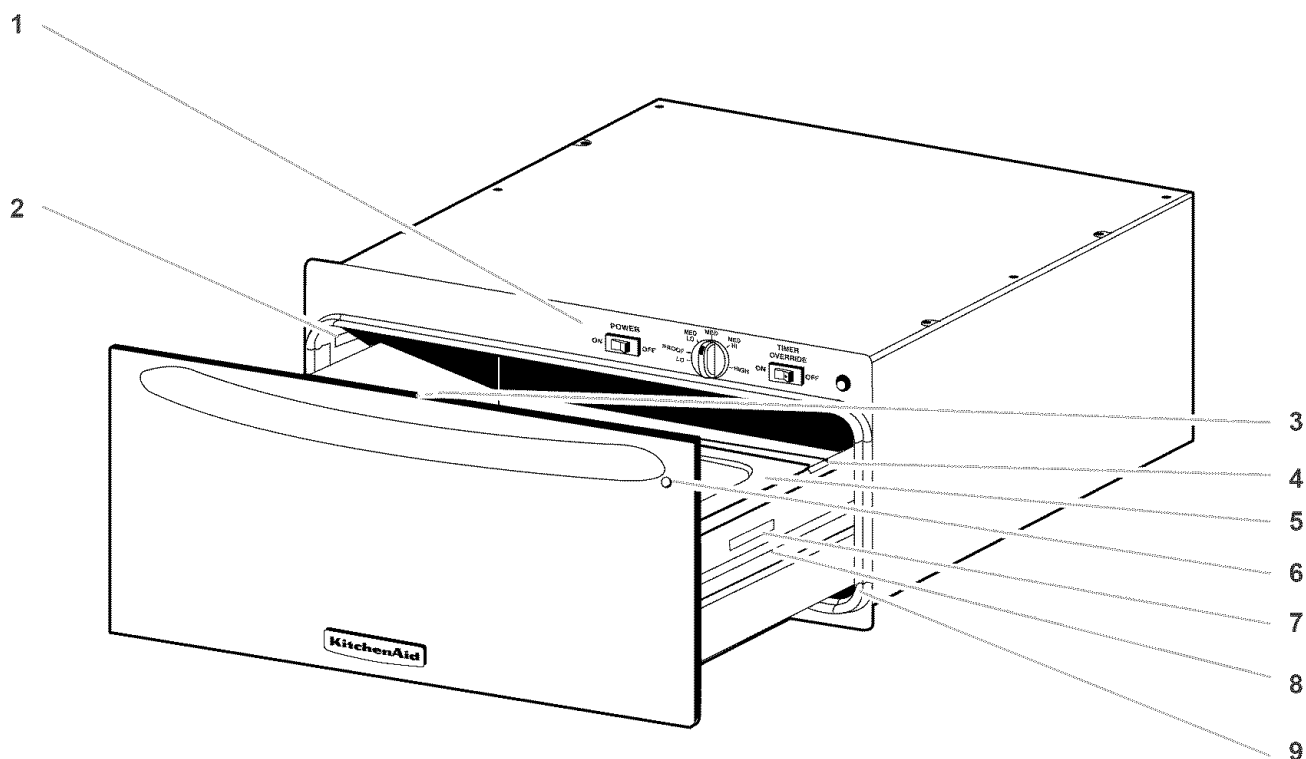
IMPORTANTES INSTRUCTIONS DE SÉCURITÉ

- Positionnement des grilles du tiroir de réchauffage - Toujours placer la grille du tiroir de réchauffage à l'endroit voulu lorsque le tiroir de réchauffage est froid. Si la grille doit être déplacée pendant que le tiroir de réchauffage est chaud, ne pas laisser les mitaines toucher l'élément chaud de chauffage dans le tiroir de réchauffage.
- NE PAS TOUCHER LES ÉLÉMENTS DE CHAUFFAGE OU LES SURFACES INTÉRIEURES DU TIROIR DE RÉCHAUFFAGE - Les éléments chauffants peuvent être chauds même lorsqu'ils ont une teinte foncée. Les surfaces intérieures du tiroir de

réchauffage deviennent assez chaudes pour causer des brûlures. Pendant et après l'utilisation, ne pas toucher les éléments de chauffage ou ne pas laisser les vêtements ou autres matériaux inflammables venir en contact avec les éléments chauffants ou les surfaces intérieures du tiroir de réchauffage avant qu'ils soient suffisamment refroidis. D'autres surfaces du tiroir de réchauffage peuvent devenir assez chaudes pour causer des brûlures - ces surfaces comprennent les ouvertures de l'évent et du tiroir de réchauffage et les surfaces près de ces ouvertures et la porte du tiroir de réchauffage.

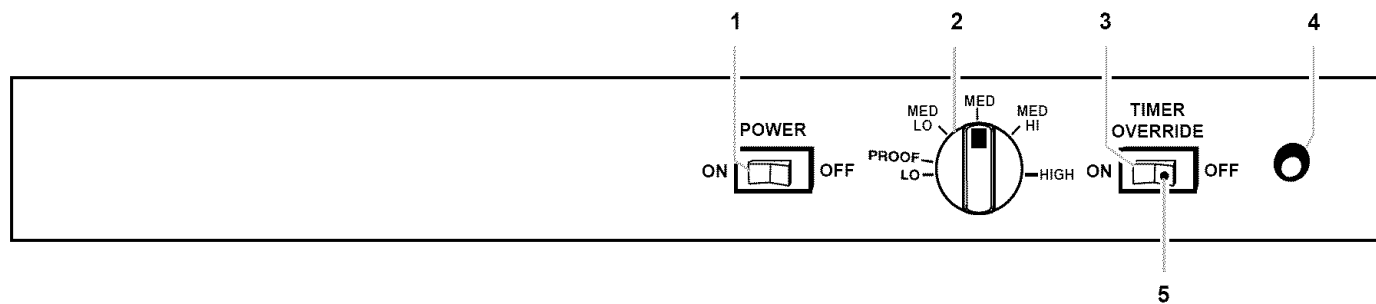
CONSERVEZ CES INSTRUCTIONS

PIÈCES ET CARACTÉRISTIQUES



- | | | |
|--|-------------------------------|---|
| 1. Tableau de commandes | 4. Appui et repère des plats | 7. Numéro d'information aux consommateurs |
| 2. Plaque signalétique des numéros de modèle et de série | 5. Plats | 8. Glissière du tiroir |
| 3. Curseur d'humidité et d'air sec (non illustré) | 6. Témoin lumineux de courant | 9. Joint |

Tableau de commandes



- | | | |
|---|---|--|
| 1. Interrupteur de courant | 3. Interrupteur de changement de la minuterie | 5. Témoin lumineux de changement de la minuterie |
| 2. Bouton de commande de la température | 4. Témoin lumineux de courant | |

AVANT L'UTILISATION DU TIROIR DE RÉCHAUFFAGE

Spécifications Électriques

⚠️ AVERTISSEMENT



Risque de choc électrique

Brancher sur une prise à 3 alvéoles reliée à la terre.

Ne pas enlever la broche de liaison à la terre.

Ne pas utiliser un adaptateur.

Ne pas utiliser un câble de rallonge.

Le non-respect de ces instructions peut causer un décès, un incendie ou un choc électrique.

Il est important de s'assurer d'avoir la connexion électrique appropriée :

Une alimentation électrique de 115 Volt, 60 Hz, CA de 15 ou 20 A seulement, bien reliée à la terre conformément au Code national d'électricité et aux codes et règlements locaux, est requise.

Il est recommandé qu'un circuit séparé, servant seulement le tiroir de réchauffage, soit fourni.

Méthode recommandée de liaison à la terre

Pour votre sécurité personnelle, cet appareil doit être relié à la terre. Cet appareil est muni d'un cordon d'alimentation électrique comportant une fiche de liaison à la terre à 3 tiges. Pour minimiser les risques possibles de choc, le cordon doit être branché à une prise de courant murale correspondante, à 3 alvéoles et de type de liaison à la terre, conformément au Code national d'électricité et aux codes et règlements locaux. Si une prise de courant murale correspondante n'est pas disponible, c'est la responsabilité personnelle des clients d'obtenir une prise de courant murale à 3 alvéoles reliée à la terre et de la faire installer par un technicien qualifié.

UTILISATION DU TIROIR DE RÉCHAUFFAGE

Réglage des Commandes

⚠️ AVERTISSEMENT

Risque d'empoisonnement alimentaire

Ne pas laisser des aliments reposer plus d'une heure avant ou après la cuisson.

Le non-respect de cette instruction peut causer un empoisonnement alimentaire ou une maladie.

Interrupteur de courant

Appuyer sur l'interrupteur de courant pour allumer l'appareil.

Témoin lumineux de courant

Le témoin lumineux est situé du côté droit de l'interrupteur de changement de la minuterie. Une fois le courant électrique en fonction, le témoin lumineux rouge sera illuminé. Lorsque l'appareil est éteint automatiquement ou manuellement, le témoin lumineux s'éteindra et le tiroir commencera à se refroidir.

Bouton de commande de la température

La température est réglée lorsqu'on tourne le bouton de commande au réglage désiré. La gamme des températures varie d'environ 90°F (32°C) LO (Faible) à 225°F (107°C) HIGH (Élevée).

Minuterie

Le tiroir de réchauffage est muni d'une minuterie automatique de 4 heures. Après 4 heures, l'appareil s'éteindra. Bien que la minuterie automatique soit réglée pour une période de 4 heures, ne pas laisser des aliments dans le tiroir de réchauffage pendant plus d'une heure. Des bactéries peuvent se former.

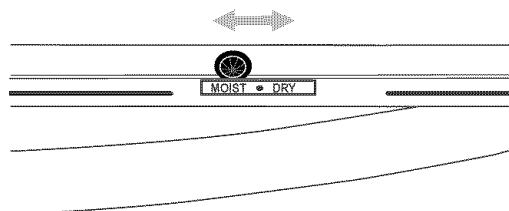
REMARQUE : la minuterie peut être arrêtée en utilisant l'interrupteur de changement de la minuterie.

Interrupteur de changement de la minuterie

L'interrupteur de changement de la minuterie vous permet de faire fonctionner l'appareil au delà de 4 heures, jusqu'à l'arrêt manuel à l'aide de l'interrupteur. Il est recommandé que l'interrupteur soit laissé à la position OFF (Arrêt) excepté si des durées de réchauffage prolongées sont requises. Lorsque l'interrupteur de changement est à la position ON (Allumé), l'indicateur lumineux sur l'interrupteur sera illuminé pour avertir que la minuterie a été changée.

IMPORTANT : bien que la minuterie puisse être changée si on utilise l'interrupteur de changement de la minuterie, ne jamais laisser des aliments demeurer dans le tiroir de réchauffage pendant plus d'une heure. Des bactéries peuvent se former.

Curseur d'humidité et d'air sec



Le curseur d'humidité et d'air sec vous permet d'ouvrir ou de fermer les ouvertures de l'évent dans la porte. Le réglage MOIST (Humidité) maintient l'humidité à l'intérieur. Le réglage DRY (Air sec) permet à la vapeur/humidité de s'échapper du tiroir.

REMARQUE : une condensation peut se former sur les surfaces internes.

- **Pour garder les aliments humides**, déplacer le curseur à MOIST (Humidité) pour fermer les événements. La fermeture des événements scelle complètement le tiroir, en gardant la consistance molle et humide des aliments chauds.
- **Pour garder les aliments croustillants**, déplacer le curseur à DRY (Air sec) pour ouvrir les événements. Lorsque les événements sont ouverts, l'humidité est évaporée du tiroir, gardant les aliments croustillants.

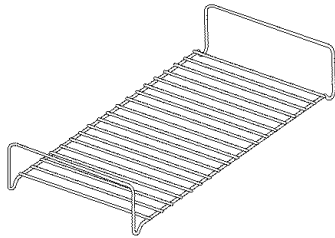
Positionnement des Grilles et des Plats

Grille à double niveau

La grille qui accompagne ce tiroir peut être utilisée à deux positions différentes, élevée et basse.

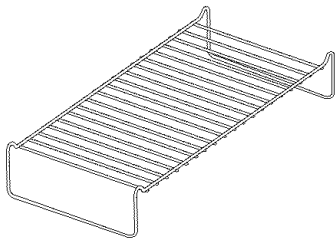
Position basse

Soulève l'utensile de ½ po (1,27 cm) du fond du tiroir.



Position élevée

Cette position vous permet d'empiler des articles dans le tiroir.



Pour empiler des articles :

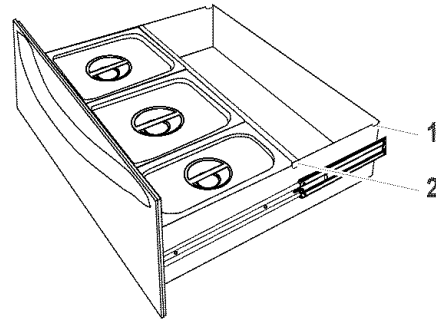
- La grille conviendra de l'avant à l'arrière ou d'un côté à l'autre.
- REMARQUE :** lorsqu'on place la grille de l'avant à l'arrière, le tiroir doit être complètement ouvert.
- Il peut être nécessaire de recouvrir certains aliments et d'utiliser un réglage de température plus élevé avec des charges plus grosses.
- Pour réchauffer en même temps des aliments cuits et de la vaisselle à servir vide, placer la vaisselle sur le fond du tiroir pendant la période de préchauffage et les aliments sur la grille placée à la position élevée après le préchauffage.
- Les aliments contenus dans des ustensiles en verre à l'épreuve de la chaleur ou en vitrocéramique peuvent exiger un réglage de température plus élevé que pour les aliments contenus dans des ustensiles en métal.

- Un temps supplémentaire doit être accordé pour que la température du tiroir se stabilise lorsqu'on ajoute des articles ou lorsqu'on vérifie les aliments.

Plats

- Les plats fournis peuvent résister aux températures du four et sont approuvés pour la cuisson au four.
- Si la cuisson n'est pas faite dans le plat, chauffer le plat pendant la période de préchauffage. La température des aliments baissera au-dessous des niveaux recommandés si le plat n'est pas chaud.
- S'assurer que l'appui du plat est bien installé dans l'encoche du repère avant d'insérer les plats.

30 po (76 cm) illustré
27 po (68 cm) non illustré



1. Encoche de remisage
2. Repère de l'appui des plats

REMARQUE : modèle de 27 po (68 cm) fourni avec deux plats seulement.

- Lorsque les plats ne sont pas utilisés, placer le repère de l'appui des plats dans l'encoche.

Utilisation

Le tiroir de réchauffage est destiné à tenir tièdes des aliments chauds après la cuisson et n'est pas destiné à la cuisson d'aliments.

1. Appuyer sur l'interrupteur à "ON" (Allumé) pour allumer l'appareil.
2. Sélectionner le réglage MOIST (Humidité) ou DRY (Air sec).
3. Régler le tiroir au réglage de température désiré (exemple : LO (Faible), MED LO (Moyenne faible), MED (Moyenne), MED HIGH (Moyenne élevée), HIGH (Élevée)).
4. Laisser le tiroir préchauffer:
 - LO - 5 minutes
 - MED - 8 minutes
 - HIGH - 10 minutes
 - Faire le préchauffage avec la grille et/ou les plats à la position désirée, si on utilise des accessoires.
 - Préchauffer la vaisselle à servir vide lors du préchauffage du tiroir.
5. Placer les aliments chauds cuits dans un ustensile de cuisson ou un plat/contenant à servir, résistant à la chaleur. Placer les aliments dans le tiroir.
 - Un papier d'aluminium peut être utilisé pour recouvrir les aliments.
 - Ne pas utiliser une enveloppe en plastique pour recouvrir les aliments.

Tableau de contrôle de la température

On peut régler la température du tiroir à tout réglage entre LO (Basse) et HIGH (Élevée). Lorsqu'on garde au chaud plusieurs aliments, régler le tiroir pour l'aliment qui exige le réglage de la plus haute température. Placer l'article ou les articles qui demande(nt) la température la plus élevée sur la grille et les articles qui exigent la température la plus basse sur le fond du tiroir.

Un couvercle est suggéré pour les articles marqués d'un signe sur le tableau suivant :

Aliment	Réglage de la chaleur et de l'événement	Utilisation du plat ou position de la grille
Bacon	MED HIGH - MOIST	plat
Boeuf, à point et bien cuit	MED HIGH - MOIST	grille basse
Pain, brioches dures	MED - DRY	grille basse
■ Pain, brioches molles	MED - MOIST	grille basse
Mets en sauce	MED - MOIST	grille élevée
■ Mets en sauce	MED HIGH - MOIST	grille basse
Gâteau au café	MED - MOIST	grille basse
■ Céréales cuites	MED HIGH - MOIST	grille basse
■ Oeufs	HIGH - MOIST	plat
Poisson, fruits de mer (pané(s))	HIGH - MOIST	grille basse
■ (non pané(s))		
■ Aliments frits	HIGH - MOIST	plat
■ Sauce, sauce en crème	HIGH - MOIST	grille basse
Jambon	MED HIGH - MOIST	grille basse
Hors d'oeuvres (croustillants)	HIGH - MOIST	plat
■ (mous)		
Agneau	MED HIGH - MOIST	grille basse
■ Crêpes, gaufres	HIGH - MOIST	plat
Tartes, croûte simple	MED - MOIST	grille élevée

Tartes, croûte double	MED LO - DRY	grille élevée
■ Pizza	HIGH - MOIST	grille basse
Porc	MED HIGH - MOIST	grille basse
Pommes de terre, au four	MED - MOIST	grille élevée
■ Pommes de terre, purée	MED HIGH - MOIST	grille basse
■ Volaille	HIGH - MOIST	grille basse
■ Légumes	MED HIGH - MOIST	grille basse

Réchauffage des Bols et des Assiettes à Servir

- Utiliser seulement des ustensiles de cuisson approuvés pour l'utilisation au four. Suivre les instructions du fabricant d'ustensiles à cuisson, surtout lors de l'emploi d'ustensiles en verre ou en plastique.

Levée du Pain

1. Recouvrir la pâte d'un papier ciré légèrement huilé et placer le(s) bol(s) résistant à la chaleur, directement au bas du tiroir.
2. Régler le bouton de commande au réglage PROOF (Levée).
3. Placer le réglage de l'événement à MOIST (Humidité).
4. Vérifier périodiquement la pâte pour le progrès de levée.
5. Vérifier le résultat en appuyant 2 doigts, ½ po (1,27 cm) dans la pâte; si la cavité demeure, la pâte est prête.
6. Pour la deuxième levée de la pâte, recouvrir la pâte d'un papier ciré et légèrement huilé et placer le(s) plat(s) résistant à la chaleur directement au bas du tiroir.
7. Suivre les étapes 2 à 4 inclusivement.

Utilisation de Papier D'aluminium

Ne pas garnir le tiroir de papier d'aluminium.

- **Garder les aliments sous couvercle** si ces aliments ont été cuits avec un couvercle.
- **Utiliser des lisières étroites** de papier d'aluminium pour empêcher le bord des croûtes à tarte de brunir davantage dans le tiroir.
- **Placer le papier d'aluminium en forme de tente** et sans appuyer sur la viande ou la volaille pour empêcher que l'aliment ne sèche et qu'un brunissement plus marqué survienne à l'aliment dans le tiroir.
- **L'utilisation de papier d'aluminium** pour recouvrir les aliments peut causer une accumulation d'humidité dont les gouttes pourraient couler dans le tiroir.

ENTRETIEN DU TIROIR DE RÉCHAUFFAGE

Glissières du Tiroir

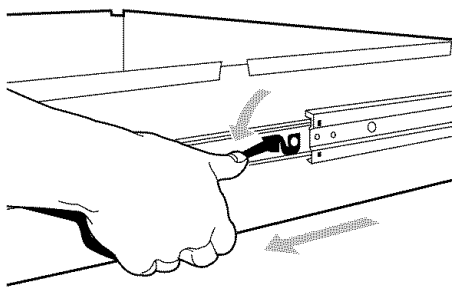
- Les glissières du tiroir permettent de retirer complètement le tiroir pour un nettoyage plus facile. Si nécessaire, le tiroir peut être enlevé.
- La capacité de contenance du tiroir et des glissières est de 100 lb (45 kg).

Enlèvement du Tiroir

Pour enlever le tiroir

Enlever tous les articles à l'intérieur du tiroir de réchauffage et laisser le tiroir se refroidir complètement avant d'essayer de l'enlever.

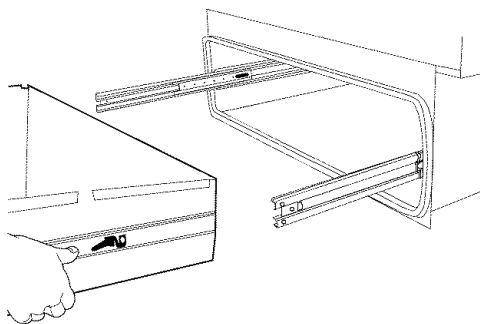
1. Tirer le tiroir à sa position complètement ouverte.
2. Appuyer sur la languette à droite (illustrée) et soulever la languette à gauche (non illustrée), ensuite retirer le tiroir de 1 po (2,5 cm) pour déclencher le loquet.



3. Enlever soigneusement le tiroir des glissières en tenant bien les côtés et non pas le devant du tiroir.

Réinstallation du tiroir

1. Aligner les guides du tiroir avec les glissières de réception.



2. Pousser le tiroir complètement à l'intérieur. Ouvrir et fermer délicatement le tiroir pour s'assurer qu'il repose bien sur les glissières.

Nettoyage du Tiroir

Avant le nettoyage, toujours s'assurer que toutes les commandes sont éteintes et que le tiroir est froid. Se référer aux instructions sur les contenants de tous les produits de nettoyage avant l'utilisation.

Bouton de commande

- Savon et eau
Ne pas utiliser de laine d'acier ou de nettoyeurs abrasifs. Retirer les boutons directement du tableau de commandes. Laver, rincer et sécher avec un linge doux.

Surfaces en acier inoxydable (tableau de commandes, cavité du tiroir et devant du tiroir)

Nettoyage de routine et marques de doigts

- Détergent/savon liquide et eau ou nettoyant tout usage
Essuyer avec un linge ou une éponge humide, ensuite rincer avec de l'eau propre et sécher.

Taches tenaces et résidus cuits à la surface

- Nettoyeurs légèrement abrasifs ou nettoyeurs pour acier inoxydable
Pour éviter de marquer la surface, frotter dans le sens des lignes du grain avec un linge ou une éponge humide et un nettoyant. Bien rincer avec de l'eau propre. Répéter au besoin.

Taches d'eau dure

- Vinaigre
Absorber ou essuyer avec un linge. Essuyer à l'eau propre et sécher.

NE PAS utiliser de laine d'acier ou de tampons à récurer avec savon.

Frotter dans le sens des lignes du grain pour éviter de marquer la surface.

Toujours essuyer à sec pour éviter les marques d'eau.

Si des nettoyeurs commerciaux sont utilisés, suivre le mode d'emploi sur l'étiquette. Si le produit contient du chlore, bien rincer avec de l'eau propre et sécher avec un linge doux exempt de charpie. Le chlore est une substance corrosive.

NE PAS laisser les nettoyeurs commerciaux venir en contact avec le joint.

Verre et poignée de la porte du tiroir (pour modèles noir, blanc et biscuit)

- Essuie-tout et nettoyant vaporisateur pour vitres
S'assurer que le tiroir est froid.
Suivre le mode d'emploi fourni avec le nettoyant.
Ou
- Eau tiède savonneuse et un tampon à récurer en plastique non abrasif
Laver, rincer avec de l'eau propre et sécher complètement.

Plats

- Savon doux et eau
Laver, rincer et sécher avec un linge doux.
NE PAS placer dans un lave-vaisselle; une décoloration surviendra.

Grille du tiroir

- Tampon en laine d'acier et eau savonneuse tiède
Laver, rincer et sécher complètement.

DÉPANNAGE

Le tiroir ne fonctionne pas

- Le tiroir est-il branché à une source de courant électrique?
Se référer aux instructions d'installation pour s'assurer que l'installation est appropriée.
- Le fusible domestique ou le coupe-circuit a-t-il été déclenché?
Remplacer le fusible ou remettre le circuit en marche.
- L'interrupteur de courant est à la position "ON" (Allumé) et le témoin lumineux n'est pas illuminé.
Régler de nouveau l'appareil en tournant l'interrupteur à "OFF" (Arrêt) et ensuite à "ON" (Allumé). L'appareil était au mode de minuterie et le temps sera épuisé.

Le tiroir ne glisse pas bien

- Le tiroir a-t-il été bien monté sur les glissières?
Enlever et réinstaller le tiroir sur les glissières. Voir la section "Entretien du tiroir de réchauffage" pour des instructions.
- Le tiroir a-t-il été surchargé?
Le poids à l'intérieur du tiroir ne doit pas dépasser 100 lb (45 kg).
- La charge du tiroir est-elle inégale?
Redisposer le contenu pour équilibrer également le poids.

Il existe une humidité excessive sur le tiroir

- Avez-vous accordé un temps de préchauffage?
Préchauffer le tiroir avant chaque utilisation. Voir la section "Utilisation du tiroir de réchauffage" pour des instructions.
- Le réglage Moist-Dry (Humidité-Air sec) est-il réglé correctement?
Régler le curseur Moist-Dry (Humidité-Air sec) à "DRY" (Air sec) pour laisser échapper l'humidité.
- Avez-vous recouvert l'aliment avec une feuille d'aluminium?
Voir la section "Utilisation du Papier D'aluminium" pour des instructions.

Le tiroir ne se ferme pas automatiquement

- Avez-vous changé la minuterie?
Vérifier l'interrupteur de changement de la minuterie. L'interrupteur de changement de la minuterie doit être à la position "OFF" (Arrêt) pour que la minuterie fonctionne bien.

ASSISTANCE OU SERVICE

Avant de faire un appel pour assistance ou service, consulter la section "Dépannage". Cette action peut vous éviter le coût d'une visite de service. Si vous avez encore besoin d'aide, suivre les instructions suivantes.

Lors de l'appel, veuillez connaître la date d'achat et les numéros au complet de modèle et de série de votre appareil ménager. Ces renseignements nous aideront à mieux répondre à votre demande.

Si vous avez besoin de pièces de rechange

Si vous avez besoin de commander des pièces de rechange, nous vous recommandons d'employer uniquement des pièces de rechange spécifiées par l'usine. Les pièces de rechange spécifiées par l'usine conviendront bien et fonctionneront bien parce qu'elles sont fabriquées avec la même précision que celle utilisée dans la fabrication de chaque nouvel appareil électroménager KITCHENAID®.

Pour obtenir des pièces de rechange spécifiées par l'usine dans votre région, composer notre numéro de téléphone du Centre d'interaction avec la clientèle ou votre Centre de Service designé le plus proche.

Pour des questions relatives au produit, veuillez téléphoner au Centre d'interaction avec la clientèle de KitchenAid Canada sans frais d'interurbain :

1-800-461-5681 de 8.30 à 17.30 (HNE)

Nos consultants vous renseigneront sur les sujets suivants :

- Caractéristiques et spécifications sur toute notre gamme d'appareils électroménagers.
- Références aux marchands locaux.

Pour les pièces, accessoires et services au Canada

Composez le **1-800-807-6777**. Les techniciens de service désignés par KitchenAid ont reçu une formation pour effectuer les travaux de réparation sous garantie et fournir le service après-vente sur les produits partout au Canada.

Pour plus d'assistance

Si vous avez besoin de plus d'assistance, vous pouvez écrire à KitchenAid pour communiquer vos questions et vos préoccupations à l'adresse suivante :

Centre d'interaction avec la clientèle
KitchenAid Canada
1901 Minnesota Court
Mississauga, Ontario L5N 3A7

Dans votre correspondance, veuillez indiquer un numéro de téléphone où l'on peut vous joindre dans la journée.

GARANTIE DU TIROIR DE RÉCHAUFFAGE KITCHENAID®

GARANTIE COMPLÈTE DE UN AN

Pendant un an à compter de la date d'achat, lorsque ce tiroir de réchauffage est utilisé et entretenu conformément aux instructions fournies avec le produit, KitchenAid paiera pour les pièces de rechange spécifiées par l'usine et la main-d'oeuvre pour la correction des vices de matériaux ou de fabrication. Les réparations doivent être effectuées par une compagnie de service désignée par KitchenAid.

KitchenAid ne paiera pas pour :

1. Les visites de dépannage pour rectifier l'installation du tiroir de réchauffage, donner des instructions concernant l'utilisation du tiroir de réchauffage, remplacer les fusibles ou rectifier l'installation électrique du domicile.
2. Les réparations lorsque le tiroir de réchauffage est utilisé à des fins autres que normales dans un domicile unifamilial.
3. Les dommages imputables à : accident, modification, usage inapproprié, usage abusif, incendie, inondation, actes de Dieu ou installation d'un produit non approuvé par KitchenAid Canada.
4. Les pièces de rechange ou les frais de main-d'oeuvre pour les appareils utilisés hors du Canada.
5. La prise en charge et la livraison de l'appareil chez l'utilisateur. Ce produit est conçu pour être réparé à domicile.
6. Les réparations de pièces ou systèmes imputables à des modifications non autorisées effectuées sur l'appareil.
7. Les frais de voyage ou de transport pour les clients qui habitent dans des régions éloignées.

KITCHENAID CANADA NE SERONT PAS RESPONSABLES POUR LES DOMMAGES FORTUITS OU INDIRECTS.

Certains provinces ne permettent pas l'exclusion ou la limitation des dommages fortuits ou indirects, de sorte que cette exclusion ou limitation peut ne pas vous être applicable. Cette garantie vous confère des droits juridiques spécifiques et vous pouvez également jouir d'autres droits qui peuvent varier d'une province à l'autre.

À l'extérieur du Canada, cette garantie ne s'applique pas. Contactez votre marchand autorisé KitchenAid pour déterminer si une autre garantie s'applique.

7/00

Conserver ce manuel et la facture d'achat ensemble en lieu sûr pour consultation ultérieure. Pour le service sous garantie, vous devez présenter un document prouvant la date d'achat ou d'installation.

Inscrire les renseignements suivants à propos de votre tiroir de réchauffage pour mieux obtenir assistance ou service en cas de besoin. Vous devez connaître les numéros de modèle et de série au complet. Cette information est indiquée sur la plaque signalétique dont l'emplacement sur votre appareil est indiqué à la section des pièces et caractéristiques de ce manuel.

Nom du marchand _____

Adresse _____

Numéro de téléphone _____

Numéro de modèle _____

Numéro de série _____

Date d'achat _____