

CRAFTSMAN®

Operator's Manual

Snow Thrower

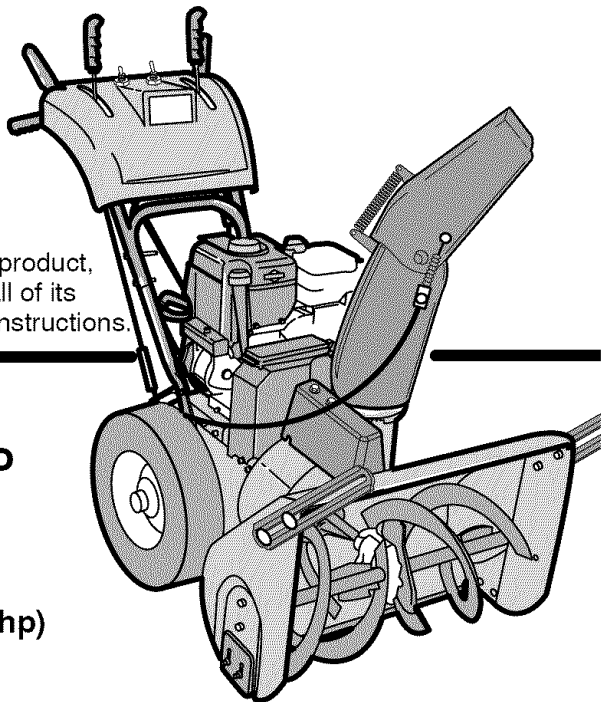
13 Horsepower

Electric Start

33-inch Dual Stage

Model 536.889252

CAUTION: Before using this product, read this manual and follow all of its Safety Rules and Operating Instructions.



Manual del usuario

Quitanieves

de 33 pulgadas

13 caballos de fuerza (hp)

Bietápico

Arranque eléctrico

Modelo 536.889252

PRECAUCIÓN: Antes de usar este producto, lea este manual y siga todas las reglas de seguridad e instrucciones de operación.

Sears, Roebuck and Co., Hoffman Estates, IL 60179 U.S.A.

F-041074L

www.sears.com/craftsman

TABLE OF CONTENTS

WARRANTY STATEMENT	2	STORAGE	34
SAFETY RULES	2	TROUBLESHOOTING TABLE ...	35
INTERNATIONAL SYMBOLS	4	REPAIR PARTS	41
ASSEMBLY	6	ENGINE REPAIR PARTS	61
OPERATION	13	SPANISH (ESPAÑOL)	75
MAINTENANCE	21	PARTS ORDERING/SERVICE ..	
SERVICE AND ADJUSTMENT ..	24		BACK COVER

WARRANTY STATEMENT

LIMITED TWO-YEAR WARRANTY ON CRAFTSMAN SNOW THROWER

For two years from the date of purchase, when this Craftsman Snow thrower is maintained, lubricated, and tuned up according to the operating and maintenance instructions in the owner's manual, Sears will repair, free of charge, any defect in material or workmanship.

If this Craftsman Snow thrower is used for commercial or rental purposes, this warranty applies for only 90 days from the date of purchase.

This warranty does not cover the following:

- Items which become worn during normal use, such as spark plugs, drive belts and shear pins.
- Repair necessary because of operator abuse or negligence, including bent crankshafts and the failure to maintain the equipment according to the instructions contained in the owner's manual.

WARRANTY SERVICE IS AVAILABLE BY RETURNING THE CRAFTSMAN SNOW THROWER TO THE NEAREST SEARS SERVICE CENTER IN THE UNITED STATES. THIS WARRANTY APPLIES ONLY WHILE THIS PRODUCT IS IN USE IN THE UNITED STATES.

This warranty gives you specific legal rights, and you may also have other rights which may vary from state to state.

Sears, Roebuck and Co., D817WA, Hoffman Estates. IL 60179

SAFETY RULES



LOOK FOR THIS SYMBOL TO POINT OUT IMPORTANT SAFETY PRECAUTIONS. IT MEANS-- ATTENTION!!! BECOME ALERT!!! YOUR SAFETY IS INVOLVED.



WARNING:



Engine Exhaust, some of its constituents, and certain vehicle components contain or emit chemicals known to the State of California to cause cancer and birth defects or other reproductive harm.

Battery posts, terminals and related accessories contain lead and lead compounds, chemicals known to the State of California to cause cancer and birth defects or other reproductive harm. **WASH HANDS AFTER HANDLING.**



WARNING: Always disconnect the spark plug wire and place it where it cannot make contact with spark plug to prevent accidental starting during: Preparation, Maintenance, or Storage of your snow thrower.

IMPORTANT: Safety standards require operator presence controls to minimize the risk of injury. Your snow thrower is equipped with such controls. Do not attempt to defeat the function of the operator presence control under any circumstances.

TRAINING

1. Read this operating and service instruction manual carefully. Be thoroughly familiar with the controls and the proper use of the snow thrower. Know how to stop the snow thrower and disengage the controls quickly.
2. Never allow children to operate the snow thrower. Never allow adults to operate the snow thrower without proper instruction.
3. Keep the area of operation clear of all persons, particularly small children and pets.
4. Exercise caution to avoid slipping or falling especially when operating in reverse.

PREPARATION

1. Thoroughly inspect the area where the snow thrower is to be used and remove all doormats, sleds, boards, wires, and other foreign objects.
2. Disengage all clutches before starting the engine (motor).
3. Do not operate the snow thrower without wearing adequate winter outer garments. Wear footwear that will improve footing on slippery surfaces.
4. Handle fuel with care; it is highly flammable.
 - a. Use an approved fuel container.
 - b. Never remove fuel tank cap or add fuel to a running engine (motor) or hot engine (motor).
 - c. Fill fuel tank outdoors with extreme care. Never fill fuel tank indoors.
 - d. Replace fuel cap securely and wipe up spilled fuel.
 - e. Never store fuel or snow thrower with fuel in the tank inside of a building where fumes may reach an open flame or spark.
 - f. Check fuel supply before each use, allowing space for expansion as the heat of the engine (motor) and/or sun can cause fuel to expand.
5. For all snow throwers with electric starting motors use electric starting extension cords certified CSA/UL. Use only with a receptacle that has been installed in accordance with local inspection authorities.
6. Let engine (motor) and snow thrower adjust to outdoor temperatures before starting to clear snow.
7. Always wear safety glasses or eye shields during operation or while performing an adjustment or repair to protect eyes from foreign objects that may be thrown from the snow thrower.

OPERATION

1. Do not operate this snow thrower if you are taking drugs or other medication which can cause drowsiness or affect your ability to operate this snow thrower.
2. Do not use the snow thrower if you are mentally or physically unable to operate the snow thrower safely.
3. Do not put hands or feet near or under rotating parts. Keep clear of the discharge opening at all times.
4. Exercise extreme caution when operating on or crossing gravel drives, walks or roads. Stay alert for hidden hazards or traffic.
5. After striking a foreign object, stop the engine (motor), remove the wire from the spark plug, thoroughly inspect snow thrower for any damage, and repair the damage before restarting and operating the snow thrower.
6. If the snow thrower should start to vibrate abnormally, stop the engine (motor) and check immediately for the cause. Vibration is generally a warning of trouble.
7. Stop the engine (motor) whenever you leave the operating position, before unclogging the auger/impeller housing or discharge chute and when making any repairs, adjustments, or inspections.
8. When cleaning, repairing, or inspecting, make certain the auger/impeller and all moving parts have stopped and all controls are disengaged. Disconnect the spark plug wire and keep the wire away from the spark plug to prevent accidental starting.
9. Take all possible precautions when leaving the snow thrower unattended. Disengage the auger/ impeller, stop engine (motor), and remove key.
10. Do not start or run engine in enclosed area, even if doors or windows are open. Exhaust fumes are dangerous (containing CARBON MONOXIDE, an ODORLESS and DEADLY GAS).
11. Do not clear snow across the face of slopes. Exercise extreme caution when changing direction on slopes. Do not attempt to clear steep slopes.
12. Never operate the snow thrower without proper guards, plates or other safety protective devices in place.
13. Never operate the snow thrower near enclosures, automobiles, window wells, drop-offs, and the like without proper adjustment of the snow discharge angle. Keep children and pets away.

14. Do not overload the snow thrower capacity by attempting to clear snow at too fast a rate.
 15. Never operate the snow thrower at high transport speeds on slippery surfaces. Look behind and use care when backing up.
 16. Never direct discharge at bystanders or allow anyone in front of the snow thrower.
 17. Disengage power to the collector/impeller when snow thrower is transported or not in use.
 18. Use only attachments and accessories approved by the manufacturer of the snow thrower (such as tire chains, electric start kits, ect.).
 19. Never operate the snow thrower without good visibility or light. Always be sure of your footing and keep a firm hold on the handles. Walk;never run.
 20. Do not over-reach. Keep proper footing and balance at all times.
 21. Do not attempt to use snow thrower on a roof.
2. Store the snowthrower away from ignition sources or appliances that have a pilot light, such as hot water and space heaters, clothes dryers, etc.... Allow the engine (motor) to cool before storing in any enclosure.
 3. Always refer to operator's guide instructions for important details if the snow thrower is to be stored for an extended period.
 4. Maintain or replace safety and instruction labels, as necessary.
 5. Run the snow thrower a few minutes after throwing snow to prevent freeze-up of the auger/impeller.



WARNING: This snow thrower is for use on sidewalks, driveways and other ground level surfaces.

Caution should be exercised while using on steep sloping surfaces. DO NOT USE SNOW THROWER ON SURFACES ABOVE GROUND LEVEL such as roofs of residences, garages, porches or other such structures or buildings.

MAINTENANCE AND STORAGE

1. Check shear bolts and other bolts at frequent intervals for proper tightness to be sure the snow thrower is in safe working condition.

SYMBOLS

IMPORTANT: Many of the following symbols are located on your snow thrower or on literature supplied with the product. Before you operate the snow thrower, learn and understand the purpose for each symbol.

CONTROL AND OPERATING SYMBOLS



Slow



Fast



Electric Start



Engine Start



Engine Run



Engine Off



Engine Stop



On



Choke Off



Choke On



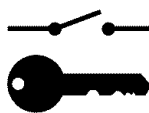
Neutral



Throttle



Primer Button



Ignition Key



Ignition Off



Ignition On



Drive Clutch



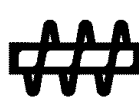
Forward



Reverse



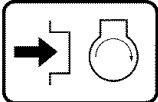
Auger Clutch



Auger Collector



Engage



Push To Engage
Electric Starter



Fuel



Oil



Fuel Oil Mixture



Discharge DOWN



Discharge UP



Discharge LEFT



Discharge RIGHT



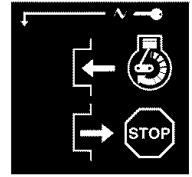
Weight Transfer
Lift Handle To
Engage



Weight Transfer
Depress Pedal
To Disengage



Transmission

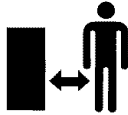


Ignition Key
Insert To Run,
Pull Out To Stop.

Safety Warning Symbols



DANGER
Thrown Objects.
Keep Bystanders Away.



DANGER
Thrown Objects.
Keep Bystanders Away.



WARNING



IMPORTANT
Read Owner's Manual
Before Operating
This Machine.



DANGER
Avoid Injury From
Rotating Auger. Keep
Hands, Feet And
Clothing Away.



DANGER
Stop The Engine Before
Unclogging Discharge Chute!



WARNING
Hot Surface



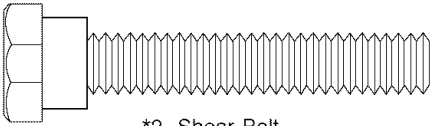
STOP

ASSEMBLY

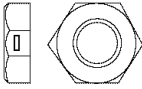
CONTENTS OF PARTS BAG (ACTUAL SIZE)

- 1 - Owner's Manual (not shown)
- 1 - Packet of Fuel Stabilizer (not shown)
- 1 - Warranty Card (not shown)

*Non-Assembly Parts, found in toolbox located on belt cover



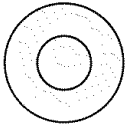
*2- Shear Bolt



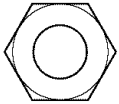
*2- Nut



1 - Speed Select Knob
(not actual size)



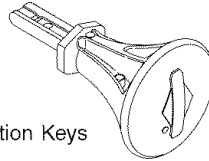
1 - Washer



1 - Hex Nut



1 - Remote Chute Knob (not actual size)



1 - Ignition Keys

ASSEMBLY



WARNING: Always wear safety glasses or eye shields while assembling snow thrower.

TOOLS REQUIRED FOR ASSEMBLY

- 1 - Knife to cut carton
- 2 - 1/2 inch wrenches (or adjustable wrenches)
- 2 - 9/16 inch wrenches (or adjustable wrenches)
- 2 - 3/4 inch wrenches (or adjustable wrenches)
- 1 - Pliers (to spread cotter pin)
- 1 - Screwdriver
- 1 - Measuring tape or ruler

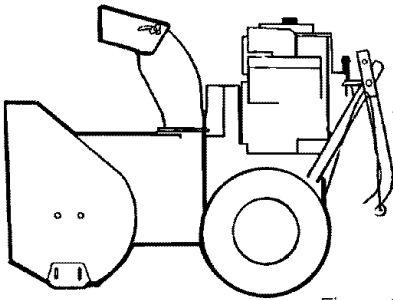


Figure 1

Figure 1 shows the snow thrower in the shipping position.

Figure 2 shows the snow thrower completely assembled. References to the right or left hand side of the snow thrower are from the viewpoint of the operator's position behind the unit.

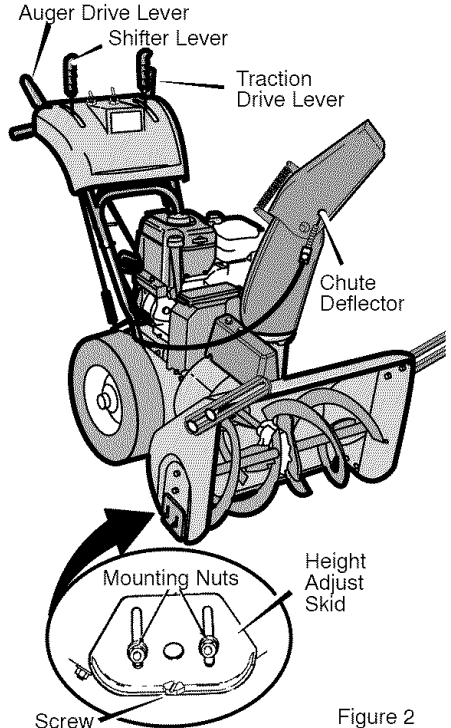


Figure 2

TO REMOVE SNOW THROWER FROM CARTON

1. Locate all parts packed separately and remove from the carton.
NOTE: Place fuel stabilizer in a safe place until needed for storage.
2. Remove and discard the packing material from around the snow thrower.
3. Cut down all four corners of the carton and lay the panels flat.
4. For shipping purposes, the **height adjust skids** are attached to the pallet. Remove the **screw** that secures each **height adjust skid** to the pallet. See Figure 2.
5. Roll snow thrower off the pallet by pulling on the lower handle.
CAUTION: DO NOT back over control cables.
6. Remove all packing material from the unit.
Cut ties securing the clutch control cable to the lower handle and lay cable back away from the motor frame.

ASSEMBLY

TO ASSEMBLE THE HANDLE

1. Cut tie holding shift rod to lower handle and move shifter to the neutral position.
2. Loosen, but do not remove, the screws, flatwashers, lockwashers, and hex nuts in the upper holes of the lower handle. See Figure 3.
3. Remove the fasteners from the lower holes of the lower handle. See Figure 3.

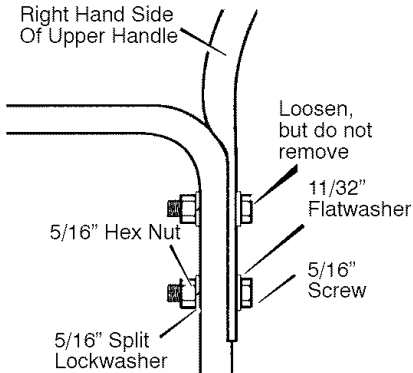


Figure 3

- NOTE:** Make sure the cables are not caught between the upper and lower handle.
4. Raise the upper handle into operating position.

NOTE: If the cables have become disconnected from the drive levers, reinstall the cables as shown in Figure 4.

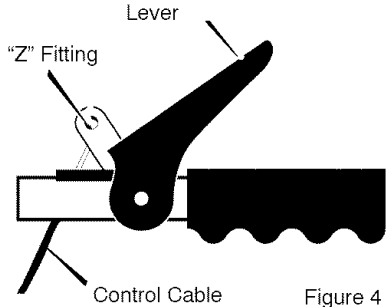


Figure 4

5. Install the fasteners that were removed in step 3. **DO NOT** tighten until all bolts are in place.
6. Tighten all handle bolts.

ASSEMBLY

NOTE: If the cables have become disconnected, connect cables as shown in Figure 5.

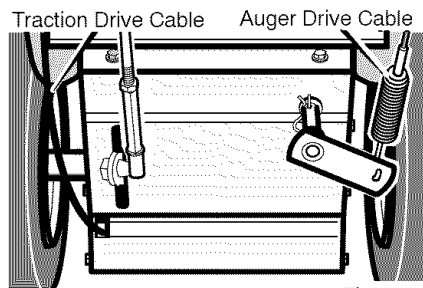


Figure 5

HOW TO INSTALL THE REMOTE CHUTE KNOB

1. Assemble the **remote chute knob** onto the **lever** until snug against the **nut** (see Figure 6).
2. Make sure **lip** on the **remote chute knob** is pointed toward the engine.
3. Tighten the **nut** against the bottom of the **remote chute knob**.

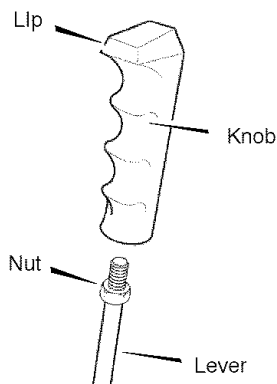


Figure 6

HOW TO INSTALL THE SPEED SELECT KNOB

1. Assemble the **speed select knob** onto the **lever** until snug against the **nut** (see Figure 7).
2. Make sure **lip** on the **speed select knob** is pointed toward the engine.
3. Tighten the **nut** against the bottom of the **speed select knob**.

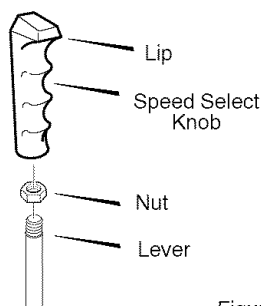


Figure 7

ASSEMBLY

How To Install The Speed Control Rod

1. Put the **speed select lever** to the **NEUTRAL** position.
2. Attach the **ball joint**, located on the bottom end of the **speed control rod**, to the **shift yoke assembly**. See Figure 9. The **fasteners** are attached to the **ball joint** at the factory.
3. The length of the **ball joint** and **speed control rod** have been pre-adjusted at the factory. If an adjustment is required, loosen the **nut**. Remove the **fasteners** to disconnect the **ball joint** from the **shift yoke assembly**. To lengthen or shorten the **speed control rod**, turn the **adapter** to obtain the correct length.
4. Make sure the **speed select lever** functions correctly. Move the **speed select lever** through all speeds.

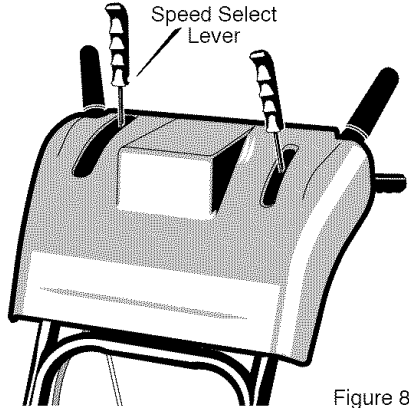


Figure 8

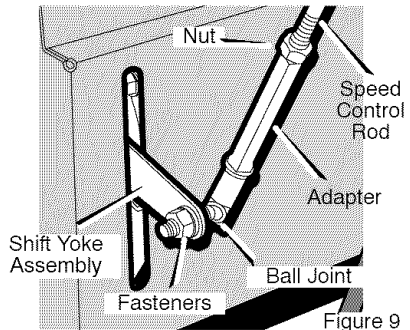


Figure 9

How To Assemble The Chute Deflector

1. Remove the **carriage bolt**. See Figure 10.
2. Raise the **chute deflector** into **operating position**.
3. Fasten **chute deflector** to **flange** with **carriage bolt**. Make sure to install with head of **carriage bolt** on the inside of the **flange**.
4. Fasten with **washer** and **locknut**.
5. Tighten **locknut** securely.

NOTE: Make sure all carriage bolts in flange are tight. DO NOT OVERTIGHTEN.

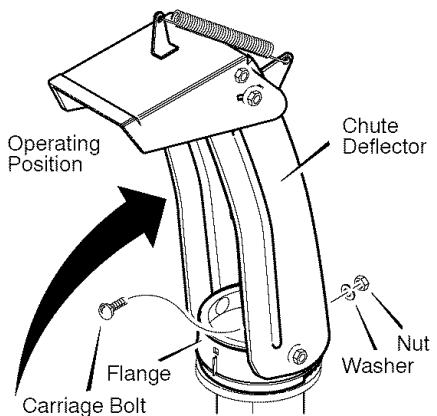


Figure 10

ASSEMBLY

How To Set The Skid Height

The snow thrower is equipped with **height adjustable skids** mounted on the outside of the auger housing. See Figure 11. To adjust the height of the skids, see **To Adjust Skid Height** paragraph in the **Service And Adjustment** section

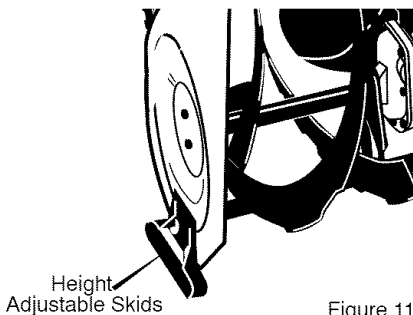


Figure 11

How To Set The Length Of The Cables

The cables were adjusted at the factory and no adjustments should be necessary. However, after the handles are put in the operating position, the cables can be too tight or too loose. If an adjustment is necessary, see "How To Check And Adjust The Cables" in the Service And Adjustment section.

ASSEMBLY

How To Set The Drift Cutters

Drift cutters are used to cut a path through snow deeper than the auger housing.

1. Loosen the **wingnuts** that secure the **drift cutters** to the auger housing. See Figure 12.
2. Raise the **drift cutters** to the desired height.
3. Tighten the **wingnuts**.

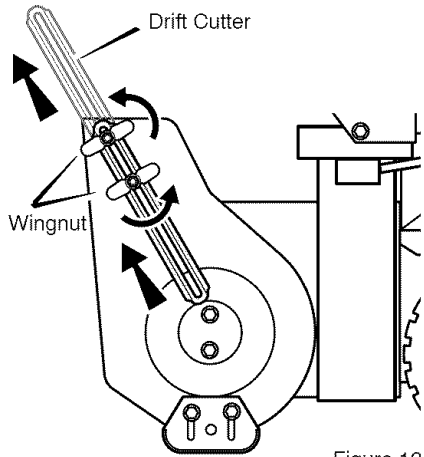


Figure 12

✓ CHECKLIST

Before you operate your new snow thrower, to ensure that you receive the best performance and satisfaction from this quality product, please review the following checklist:

- ✓ All assembly instructions have been completed.
- ✓ The discharge chute rotates freely.
- ✓ No remaining loose parts in carton.
- ✓ On electric start models, the unit was shipped with the starter cord plugged into the engine. Before operating, unplug the starter cord from the engine.

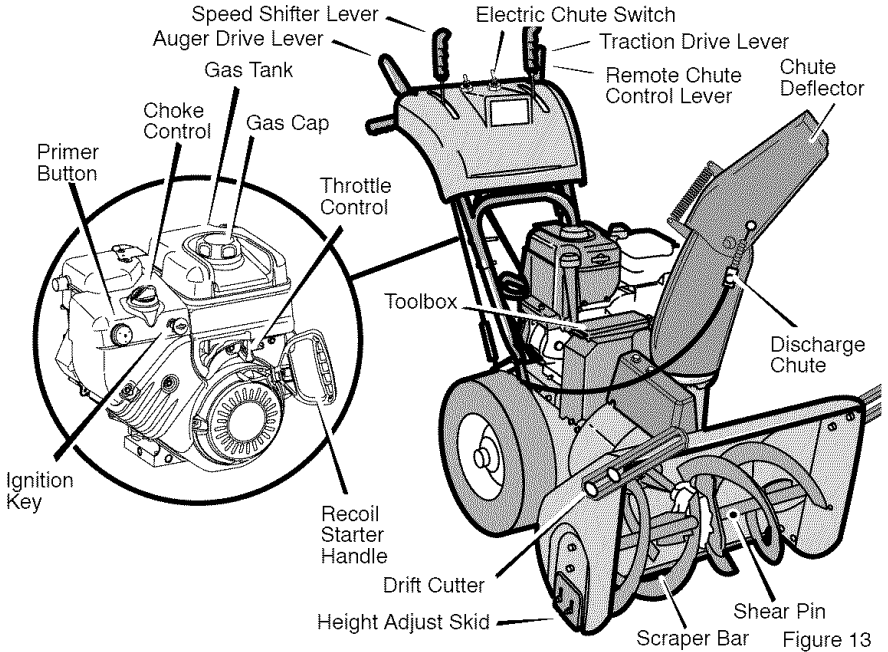
While learning how to use your snow thrower, pay extra attention to the following important items:

- ✓ Engine oil is at proper level. Use a high quality detergent oil classified "For Service SG, SH, SJ, SL, or higher".
- ✓ Make sure gas tank is filled properly with clean, fresh, unleaded gasoline with a minimum of 85 octane.
- ✓ Become familiar with all controls-their location and function. Operate controls before starting engine.

OPERATION

KNOW YOUR SNOW THROWER

READ THIS OWNER'S MANUAL AND SAFETY RULES BEFORE OPERATING YOUR SNOW THROWER. Compare the illustrations with your SNOW THROWER to familiarize yourself with the location of various controls and adjustments. Save this manual for future reference.



Auger Drive Lever - Starts and stops the auger and impeller (**snow gathering and throwing**).

Traction Drive Lever - Propels the snow thrower forward and in reverse.

Speed Shifter Lever - Selects the forward and reverse speed.

Electric Chute Switch - Changes the direction of snow throwing through the discharge chute.

Chute Deflector - Changes the distance the snow is thrown.

Discharge Chute - Changes the height and direction the snow is thrown.

Height Adjust Skid - Adjusts the ground clearance of the auger housing.

Ignition Key - Must be inserted to start the engine.

Recoil Starter Handle - Starts the engine manually.

Choke Control - Used to start a cold engine.

Primer Button - Injects fuel directly into the carburetor manifold for fast starts in cold weather.

Remote Chute Control Lever - Controls the distance the snow is thrown.

Throttle Control - Controls the engine speed.

Electric Start Button - (if so equipped) Used to start the engine using the 120 V electric starter.

Shear Pin - Shear pins are designed to break (to protect the machine) if an object becomes lodged in the auger housing.

Toolbox - spare shear pins and spacers are located in toolbox.

Drift Cutter - Cuts a path through snow higher than the auger housing.

OPERATION

The operation of any snow thrower can result in foreign objects being thrown into the eyes, which can result in severe eye damage. Always wear safety glasses or eye shields while operating the snow thrower.

We recommend standard safety glasses or a wide vision safety mask for over your glasses.



WARNING: Read Owner's Manual before operating machine. Never direct discharge toward bystanders. Stop the engine before unclogging discharge chute or auger housing and before leaving the machine.

TO STOP YOUR SNOW THROWER

1. To stop throwing snow, release the **auger drive lever**. See Figure 14.
2. To stop the wheels, release the **traction drive lever**.
3. To stop the engine, push the **throttle control lever** to off and pull out the **safety/ignition key**.

TO CONTROL SNOW DISCHARGE

1. Move the **electric chute switch** to set the direction (left to right) of the snow throwing.
2. Push the **remote chute lever** forward to discharge the snow down. Pull the **remote chute lever** back to discharge the snow high and far.

HOW TO MOVE FORWARD AND BACKWARD

1. To move the snow thrower forward, engage the **traction drive lever (left hand)**. As the snow thrower starts to move forward, push the **shift lever** to the desired speed. Maintain a firm hold on the handles and guide the snow thrower along the clearing path. Do not attempt to push the snow thrower.
2. To move the snow thrower backward, pull the **shift lever** to the reverse position.

TO THROW SNOW

1. Push down the auger driver lever (**right hand**). See Figure 14.
2. Release to stop throwing snow.

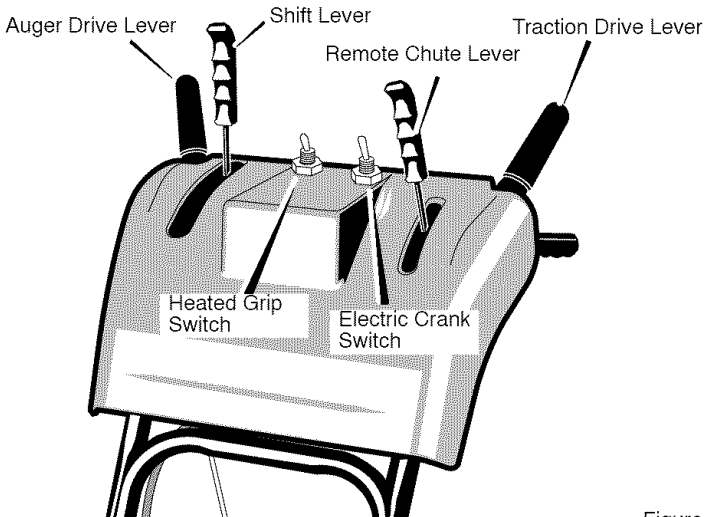


Figure 14

OPERATION

HOW TO USE THE WHEEL LOCKOUT

Each wheel is secured to the axle with a lockout pin. See Figure 15. The unit was shipped with the lockout pin in the locked position. For ease of maneuverability, disconnect the lockout pin as follows.

1. Pull the **knob** out to disengage the lockout pin.
2. To lock in the disengaged position, turn the **knob** 1/4 turn (90 degrees).

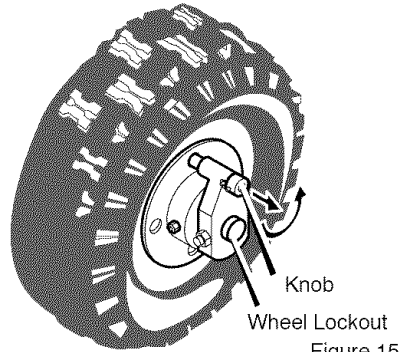


Figure 15

HOW TO USE THE HEATED GRIPS



WARNING: Heated grips are designed for use when the temperature is below 32 degrees. Do not turn on electric grips if temperature is above 32 degrees.

When the temperature falls below 32

degrees, use the heated grips to keep your hands warm. Move the **heated grip switch** to the ON position (see Figure 14). It will take a couple of minutes for the grips to become warm. Because heated grips can become very warm, we recommend that you wear gloves. If you notice that the grips are too warm, turn off heated grips.

BEFORE STARTING THE ENGINE

1. Before you service or start the engine, familiarize yourself with the snow thrower. Be sure you understand the function and location of all controls.
2. Check the tension of clutch cable before starting the engine. See **To Adjust The Control Cable** paragraph in the **Service & Adjustments** section of this manual.
3. Be sure that all fasteners are tight.
4. Make sure the height adjust skids are properly adjusted. See **To Adjust Skid Height** paragraph in the **Service & Adjustments** section of this manual.
5. Check tire pressure (**14-17 pounds**). Do not exceed maximum amount of pressure.

F-041074L

CHECK THE OIL:

NOTE: The engine was shipped from the factory filled with oil. Check the level of the oil. Add oil as needed.

To Add Oil

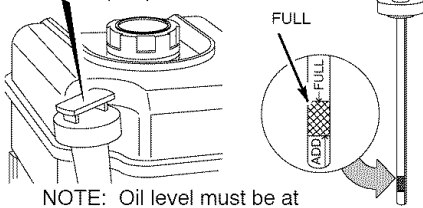
1. Make sure the unit is level. Use a high quality detergent oil classified "For Service SG, SH, SJ, SL, or higher".
2. Remove the oil fill cap/dipstick and wipe with a clean cloth (see Figure 16).
3. Insert the oil fill cap/dipstick and turn clockwise to tighten.
4. Remove the oil fill cap/dipstick and check the oil.

NOTE: Do not check the level of the oil while the engine runs.

OPERATION

- If necessary, add oil until the oil reaches the FULL mark on the oil fill cap/dipstick (see Figure 16). Do not add too much oil.

Oil Fill Cap/Dipstick



NOTE: Oil level must be at Full mark

Figure 16

- Tighten the fill cap/dipstick securely each time you check the oil level.

NOTE: Synthetic oil is recommended for operating temperatures below 32°F. Synthetic 5W30 is acceptable for all temperatures. DO NOT mix oil with gasoline.

FILL GAS:

This engine is certified to operate on gasoline. Exhaust Emission Control System: EM (Engine Modifications)

WARNING: Alcohol blended fuels (called gasohol or those using ethanol or methanol) can attract moisture which leads to separation and formation of acids during storage. Acidic gas can damage the fuel system of an engine while in storage.

NOTE: To avoid engine problems, the fuel system must be emptied before storage for 30 days or longer. Start the engine and let it run until the fuel lines and carburetor are empty. Use fresh fuel next season. See the Storage section in this manual for additional information.

Never use engine or carburetor cleaner products in the fuel tank or permanent damage may occur.

Fill the fuel tank only with a fresh, clean, unleaded regular, unleaded premium, or reformulated automotive gasoline with a minimum of 85 octans. **DO NOT** use leaded gasoline. Make sure that the container you pour the gasoline from is clean and free from rust or other foreign particles. Never use gasoline that may be stale from long periods of storage in the container.

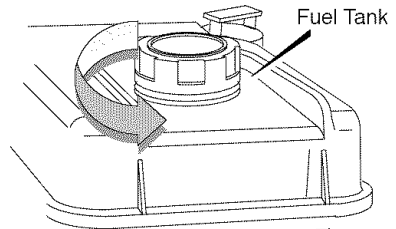


Figure 17

WARNING: Gasoline is flammable. Always use caution when handling or storing gasoline.

- Turn engine off and let engine cool at least two minutes before removing the gas cap.
- Do not fill fuel tank while snow thrower is running, when it is hot, or when snow thrower is in an enclosed area.
- Keep away from open flame or an electrical spark and do not smoke while filling the fuel tank.
- Never fill the tank completely. Fill the tank to approximately 1-1/2" below the top of the tank opening to provide space for expansion of fuel.
- Always fill fuel tank outdoors and use a funnel or spout to prevent spilling.
- Make sure to wipe up any spilled fuel before starting the engine.
- Store gasoline in a clean, approved container and keep the cap in place on the container.

OPERATION

HOW TO STOP THE ENGINE

CAUTION: To stop the engine, do not move the choke control to **CHOKE** position. Backfire or engine damage can occur.

1. To stop the engine, move the throttle control lever to the “SLOW” position, then move to the “STOP” position (see Figure 18).

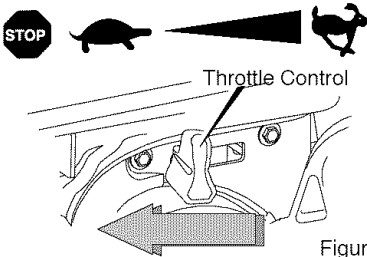


Figure 18

2. Pull out and remove the ON/OFF key (see Figure 19). Keep the ON/OFF key in a safe place. The engine will not start without the ON/OFF key.

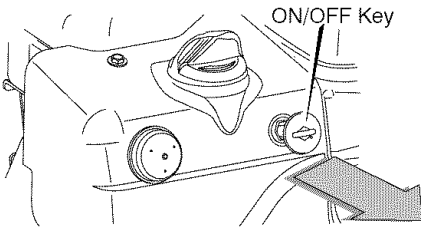


Figure 19

TO START ENGINE

Be sure that the engine oil is at **FULL** mark on dipstick. The snow thrower engine is equipped with a 120 volt A.C. electric starter and a recoil starter. Before starting the engine, be certain that you have read the following information.

If engine floods, set the choke to the **OPEN/RUN** position and crank until the engine starts.

F-041074L



WARNING: Rapid retraction of the starter cord (kick-back) will pull your hand or arm toward the engine faster than you can let go of the starter cord.

- When starting the engine, slowly pull the starter cord until resistance is felt. Then, rapidly pull the starter cord.
- Make sure components; such as impellers, pulleys or sprockets, are securely attached.



WARNING: The starter is equipped with a three-wire power cord and plug and is designed to operate on 120 volt AC household current. It must be properly grounded at all times to avoid the possibility of electrical shock which may be injurious to operator.

- Follow all instructions carefully as set forth in the “To Start Engine” section.
- Determine that your house wiring is a three-wire grounded system. Ask a licensed electrician if you are not sure. If your house wire system is not a three-wire system, do not use this electric starter under any conditions.
- If your system is grounded and a three-hole receptacle is not available at the point your starter will normally be used, one should be installed by a licensed electrician.
- When connecting 120 volt AC “Power Cord”, always connect the cord to the Switch Box on the engine first, then plug the other end into the three-hole grounded receptacle. When disconnecting “Power Cord”, always unplug the end in the three-hole grounded receptacle first.

OPERATION

How To Start A Cold Engine

1. Be sure auger drive and traction drive levers are in the disengaged (**RELEASED**) position.
2. Turn the rotary choke knob to the **CHOKE** position (see Figure 20).
3. Depress the primer button three times (see Figure 20).

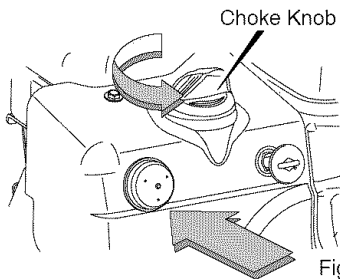


Figure 20

4. Move throttle control to "**FAST**" position. Operate the engine with the throttle control in the "**FAST**" position (see Figure 21).

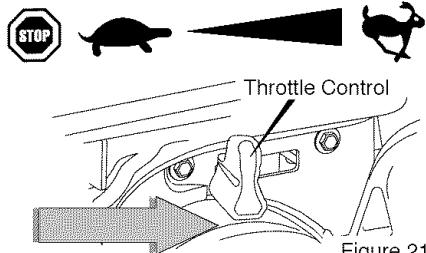


Figure 21

5. Remove the ON/OFF keys from the plastic bag. Insert one of the ON/OFF keys into the key slot (see Figure 22). Make sure the key snaps into place. **Do not turn the ON/OFF key.** Keep the second ON/OFF key in a safe place.

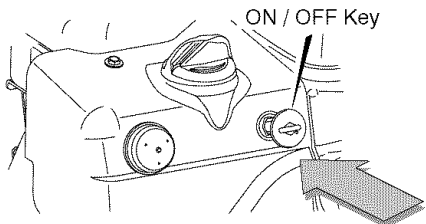


Figure 22

6. (**Recoil Start**) Slowly pull the **recoil starter handle** until resistance is felt and then pull rapidly to start the engine (see Figure 23). Do not allow the **recoil starter handle** to snap back. Slowly return the **recoil starter handle**.

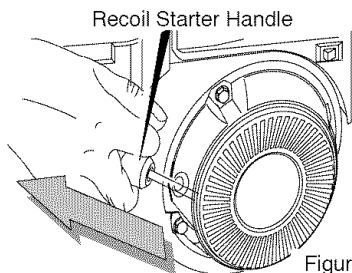


Figure 23

7. (**ELECTRIC START**) Connect the power cord to the engine and depress the starter button. (Figure 24). To prolong the life of the starter, do not crank for more than 5 seconds at a time. Wait one minute between starts to allow the starter motor to cool.

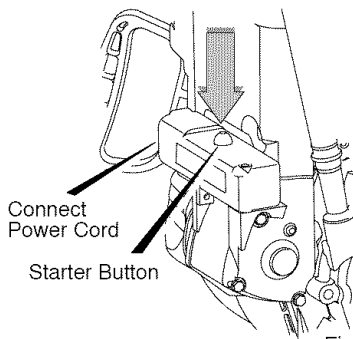


Figure 24

8. If the engine does not start in 5 or 6 tries, See **Difficult Starting** in the "Troubleshooting Table".
9. As the engine warms up, move **choke lever** to "1/2 choke" position. When engine runs smoothly, move **choke lever** to "No Choke" Position.
10. (**Electric Start**) First disconnect power cord from receptacle. Then, disconnect the power cord from the **switch box**.

OPERATION

11. Run engine at full throttle “**FAST**” when throwing snow.

Allow the engine to warm up for several minutes before blowing snow in temperatures below 0°F.

If after following the preceding instructions, your engine fails to start, have the engine checked by an Authorized Sears Service Outlet.

NOTE: Do not lose the safety/ignition

key. Keep the safety/ignition key in a safe place. The engine will not start without the safety/ignition key.

WARM START

If restarting a warm engine after a short shutdown, leave choke at “**OFF**” and do not push the primer button. If the engine fails to start, follow the Cold Start instructions.

Frozen Starter

If the starter is frozen and will not turn the engine, follow the steps below.

1. Pull as much starter rope as possible out of the starter.
2. Release the starter handle and let it snap back against the starter. Repeat until the engine starts.

Warm engines will cause condensation in cold weather. To prevent possible freeze-up of recoil starter and engine controls, proceed as follows after each snow removal job.

1. With engine off, allow engine to cool for several minutes.
2. Pull starter rope very slowly until resistance is felt, then stop. Allow the starter rope to recoil. Repeat three times.
3. With the engine not running, wipe all snow and moisture from the carburetor cover in area of controls and levers. Also, move the choke control and starter handle several times.

IMPORTANT: After each use of the snow blower, stop the engine, remove the safety/ignition key, remove all accumulated snow from the snow blower and wipe clean. Store the snow blower in a protected area.

NOTE: Never cover snow blower while engine and exhaust area are still warm.



WARNING: Never run engine indoors or in enclosed, poorly ventilated areas. Engine exhaust contains CARBON MONOXIDE, AN ODORLESS AND DEADLY GAS. Keep hands, feet, hair and loose clothing away from any moving parts on engine and snow thrower.

- Engine parts, especially the muffler, become extremely hot. Severe thermal burns can occur on contact. Allow the engine to cool before touching.
- Never allow children to operate the snow thrower. Never allow adults to operate the snow thrower without proper instruction.
- Keep the area of operation clear of all persons, particularly small children and pets.
- Never leave the snowthrower unattended while the engine is running. Anyone operating the engine or equipment must carefully read and understand the operating instructions.

OPERATION

HOW TO REMOVE OBJECTS FROM AUGER



WARNING: Do not attempt to remove any item that may become lodged in auger with your hands. Use the cleaning stick to remove snow or debris.

A cleaning stick is attached to the top of the auger housing. Use the cleaning stick to remove snow from the auger housing.

- Release auger drive lever.
- Move throttle lever to stop position.
- Remove (do not turn) safety/ignition key.
- Disconnect spark plug wire.
- Do not place your hands in the auger or discharge chute. Use a pry bar.

SNOW THROWING TIPS

1. For maximum snow thrower efficiency in removing snow, adjust ground speed, NEVER the throttle. Go slower in deep, freezing or wet snow. If the wheels slip, reduce forward speed. The engine is designed to deliver maximum performance at full throttle and should be run at this power setting at all times.
2. Most efficient snow throwing is accomplished when the snow is removed immediately after it falls.
3. For complete snow removal, slightly overlap each path previously taken.
4. The snow should be discharged down wind whenever possible.
5. For normal usage, set the skids so that the scraper bar is 1/8" above the skids. For extremely hard-packed snow surfaces, adjust the skids upward so that the scraper bar touches the ground.
6. On gravel or crushed rock surfaces, set the skids at 1-1/4" below the scraper bar. See **To Adjust Skid Height** paragraph in the **Service & Adjustments** section of this manual. Rocks and gravel must not be picked up and thrown by the machine.
7. After the snow throwing job has been completed, allow the engine to idle for a few minutes, which will melt snow and accumulated ice off the engine.
8. Clean the snow thrower thoroughly after each use.
9. Remove ice and snow accumulation and all debris from the entire snow thrower, and flush with water (if possible) to remove all salt or other chemicals. Wipe snow thrower dry.
10. Before starting snow blower, always inspect augers and impeller for ice accumulation and/or debris, which could result in snow blower damage.
11. Check oil level before every start. Make sure the oil is at the FULL mark on the oil fill cap/dipstick.

MAINTENANCE

CUSTOMER RESPONSIBILITIES

SERVICE RECORDS	Before Each Use	Often	Every 8 Hours	Every 25 Hours	Every 50 Hours	Every 100 Hours	Each Season	Before Storage
Auger Drive Belt *				√				
Lubricate Auger Shaft			√					
Check Engine Oil Level	√		√					
Change Engine Oil					√			
Tighten All Screws and Nuts	√	√						
Check and Clean Spark Plug				√				
Replace Spark Plug						√		
Clean and Inspect Spark Arrestor					√			
Lubricate Chute Control Flange								√
Check Fuel	√							
Check Adjustment of Auger Control Cable				√				
Adjust Traction Drive Belt †			√ †	√ †			√	

* Adjust after 2 to 4 hours of use.

† Adjust after First 8 hours and then Every 25 hours of use.

GENERAL RECOMMENDATIONS

The warranty on this snow thrower does not cover items that have been subjected to operator abuse or negligence. To receive full value from the warranty, the operator must maintain the snow thrower as instructed in this manual.

Some adjustments will need to be made periodically to properly maintain your snow thrower.

Maintenance, replacement, or repair of the emission control devices and systems can be performed by any non-road engine repair establishment or individual. Regular maintenance will im-

prove the performance and extend the life of the engine.

AFTER EACH USE

- Run the machine to clear the auger of snow.
- To prevent freezing of the auger or controls, remove all snow and slush from the snow thrower.
- Check for any loose or damaged parts.
- Tighten any loose fasteners.
- Check and maintain the auger.
- Check controls to make sure they are functioning properly.
- If any parts are worn or damaged, replace immediately.

MAINTENANCE

PRODUCT SPECIFICATIONS

HORSEPOWER	13 HP
DISPLACEMENT	20.85 cu. in.
BORE	83.82mm (3.300 in.)
STROKE	61.67mm (2.438 in.)
GASOLINE CAPACITY	4 quarts (unleaded)
OIL CAPACITY (28 oz capacity)	5W30
SPARK PLUG:	Gap 0.030 in.
VALVE CLEARANCE:	Intake: 0.004-0.006 in. Exhaust: 0.009-0.011 in.
ARMATURE AIR GAP:	0.010-0.014 in.

POWER RATINGS

The power ratings for an individual engine model are initially developed by starting with SAE (Society of Automotive Engineers) code J1940 (Small Engine Power & Torque Rating Proce-

dure) (Revision 2002-05). Given both the wide array of products on which our engines are placed, and the variety of environmental issues applicable to operating the equipment, it may be that the engine you have purchased will not develop the rated horsepower when used in a piece of power equipment (actual "on-site" power). This difference is due to a variety of factors including, but not limited to, the following: differences in altitude, temperature, barometric pressure, humidity, fuel, engine lubrication, maximum governed engine speed, individual engine to engine variability, design of the particular piece of power equipment, the manner in which the engine is operated, engine run-in to reduce friction and clean out of combustion chambers, adjustments to the valves and carburetor, and other factors. The power ratings may also be adjusted based on comparisons to other similar engines utilized in similar applications, and will therefore not necessarily match the values derived using the foregoing codes.

SNOW THROWER

AUGER DRIVE BELT

Adjust the auger drive belt after the first 2 to 4 hours of use, again about mid-season and twice each season thereafter (See "Belt Adjustment" in the Service and Adjustment section).

AUGER SHAFT LUBRICATION EVERY 8 HOURS

1. Lubricate the **Zerk fittings (A)** every ten hours with a grease gun.
2. Each time a shear bolt is replaced, the auger shaft **MUST** be greased. See Figure 25. See **To Replace Auger Shear Bolt** in the **Service and Adjustment** section.

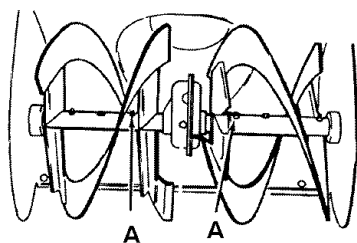


Figure 25

AUGER GEAR BOX

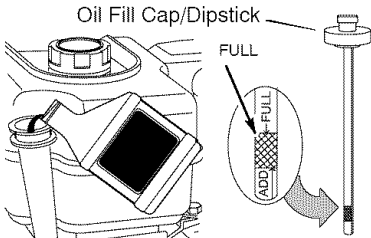
The auger gear box is lubricated at the factory and should not require additional lubrication. If for some reason the lubricant should leak out, have auger gear case checked by a competent repairman.

MAINTENANCE

ENGINE

LUBRICATION

Check the crankcase oil level before starting the engine and after each eight (8) hours of continuous use. See Figure 26. Add S.A.E. 5W30 motor oil as needed. Synthetic 5W30 is acceptable for all temperatures. Tighten fill cap/dipstick securely each time you check the oil level.



NOTE: Oil level must be at FULL mark.
Figure 26

TO CHANGE ENGINE OIL

Change the oil every fifty (50) hours or at least once a year if the snow thrower is not used for fifty (50) hours.

1. Position the snow thrower so that the **oil drain plug** is at the lowest point on the engine.
2. When the engine is warm, remove the **oil drain plug** and the **oil fill cap/dipstick** (see Figure 26 and Figure 27). Drain the oil into a suitable container.
3. After draining all the oil, reinstall the oil drain plug securely.
4. Fill the engine crankcase with the recommended motor oil, pouring slowly. **DO NOT OVERFILL**. See "To Add Oil" in the Operation Section.

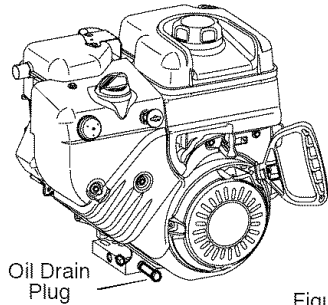


Figure 27

SPARK PLUG

Check the **spark plug** every twenty-five (25) hours. Replace the **spark plug** if the electrodes are pitted or burned, if the porcelain is cracked, or every **100** hours of use.

To access the spark plug, the snow hood must be removed. See "How To Remove The Snow Hood" in the Service And Adjustment section.

1. Make sure the **spark plug** is clean. Clean the **spark plug** by carefully scraping the electrodes (**do not sand blast or use a wire brush**).

2. Check the **spark plug** gap with a **feeler gauge** and reset gap to 0.30" if necessary. See Figure 28.
3. Before installing the **spark plug**, coat the threads lightly with oil for easy removal. Tighten the spark plug to a torque of 15 foot-pounds.

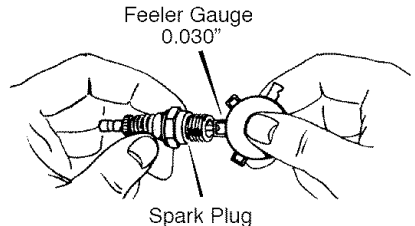


Figure 28

SERVICE AND ADJUSTMENT



WARNING: Always disconnect the spark plug wire and place it where it cannot make contact with spark plug to prevent accidental starting when making any adjustments or repairs.

TO ADJUST SKID HEIGHT

This snow thrower is equipped with two **height adjustment skids**, located on the outside of the **auger housing**. See Figure 29.

These skids elevate the front of the snow thrower.

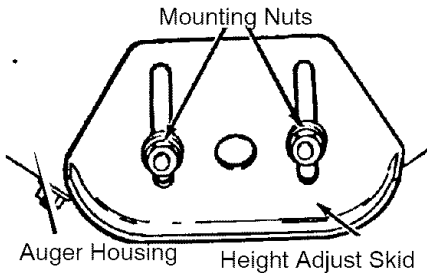


Figure 29

For normal hard surfaces, such as a paved driveway or walk, adjust the skids as follows.

1. Position the snow thrower on a level surface.
2. Make sure both tires are equally inflated. Proper tire pressure is 14 to 17 PSI. See side of tire for maximum inflation. Do not exceed maximum sidewall pressure on tire.
3. Place the extra shear bolts supplied with the unit under each end of the scraper bar next to the adjustable skids.
4. Loosen the mounting nuts that hold the adjustable skids. To bring the front of the snow thrower down,

raise the adjustable skids. Tighten the mounting nuts. See Figure 29.

NOTE: For rocky or uneven surfaces, raise the front of the snow thrower by moving the skids down.



WARNING: Be certain to maintain proper ground clearance for your particular area to be cleared. Objects such as gravel, rocks or other debris, if struck by the impeller, may be thrown with sufficient force to cause personal injury, property damage or damage to the snow thrower.

TO ADJUST SCRAPER BAR

After considerable use, the metal scraper bar will have a definite wear pattern. The scraper bar in conjunction with the skids should always be adjusted to allow 1/8" between the scraper bar and the sidewalk or area to be cleaned.

1. Position the snow thrower on a level surface.
2. Make sure both tires are equally inflated. Proper tire pressure is 14 to 17 PSI. See side of tire for maximum inflation. Do not exceed maximum sidewall pressure on tire.
3. Loosen the carriage bolts and nuts securing the scraper bar to the auger housing.
4. Adjust the scraper bar to the proper position.
5. Tighten the carriage bolts and nuts, making sure that the scraper bar is parallel with the working surface.
6. For extended operation, the scraper bar may be reversed. If the scraper bar must be replaced due to wear, remove the carriage bolts and nuts and install a new scraper bar.

SERVICE AND ADJUSTMENT

HOW TO REMOVE THE SNOW HOOD

To access the spark plug, the snow hood must be removed as follows:

1. Remove the choke control knob (see Figure 30).
2. Remove the ON/OFF key.
3. Remove the four mounting screws.
4. Slowly remove the snow hood (see Figure 31). Make sure that the primer button hose and the ignition wire are not disconnected.
5. To install the snow hood, first make sure that the primer button hose and the ignition wire are connected.
6. Mount the snow hood to the engine and secure with the four mounting screws (see Figure 32).
7. Align the tab on the choke control knob with the slot in the snow hood (see Figure 33).
8. Connect the choke control knob with the choke shaft. Make sure the choke control knob is properly installed. If the choke control knob is not installed correctly, the choke will not operate.

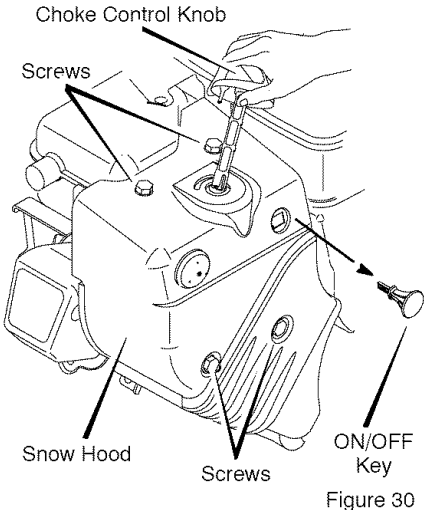


Figure 30

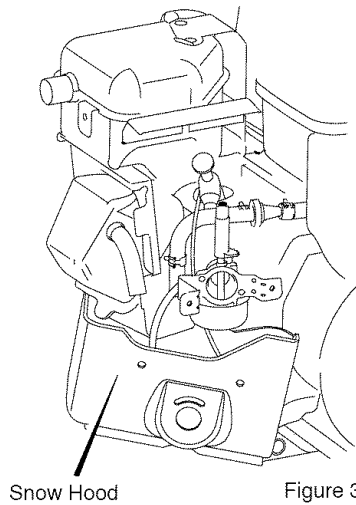


Figure 31

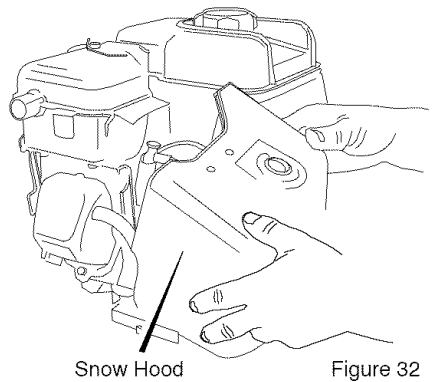


Figure 32

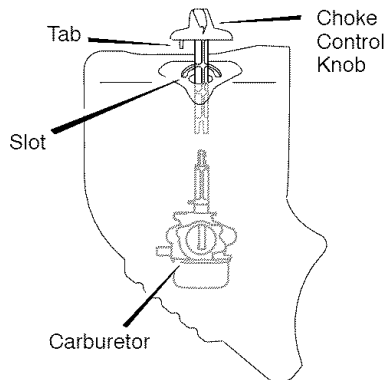


Figure 33

SERVICE AND ADJUSTMENT

BELT ADJUSTMENT

Traction Drive Belt

After approximately ten hours of operation, a new belt will stretch and require an adjustment of the belt tension. Also, if your snow thrower experiences a loss of power under heavy load, check the condition of the traction drive belt. If it is damaged or loose, replace it (see "How To Replace The Belts" in this section of the manual).

1. Disconnect spark plug wire.
2. Unlock both left and right wheel locks. See "How To Use The Wheel Lockout" in the Operation section.
3. Remove **screw** from **belt cover**. Remove **belt cover** (see Figure 34).

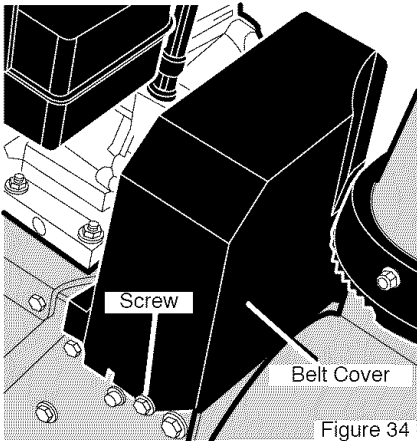


Figure 34

4. Loosen nut on traction idler pulley and move traction idler pulley towards belt about 1/8 inch (3 mm) (see Figure 40).
5. Tighten nut.
6. Have someone engage traction drive clutch. Check tension on belt (opposite idler pulley). The belt should deflect about 1/2 inch (12.5 mm) with moderate pressure (Figure 35). You may have to move idler pulley more than once to obtain the correct tension.



WARNING: DO NOT over tighten belt. If the belt is too tight, the drive will not disengage. Before operating, check the belt tension following the instructions in step 8.

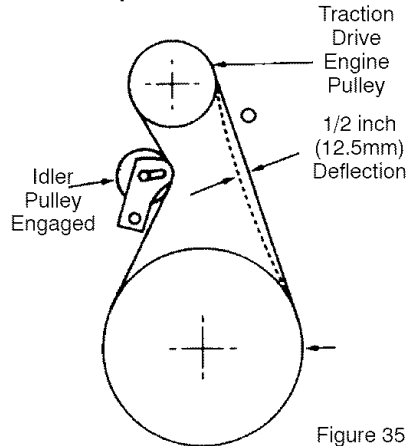


Figure 35

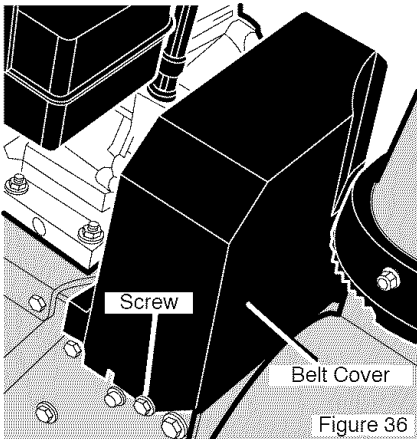
7. Reinstall belt cover.
8. Attach the spark plug wire. Before operation, check the belt tension as follows:
 - a. Unlock both left and right wheel locks. See "How To Use The Wheel Lockout" in the Operation section.
 - b. Move the shift lever to NEUTRAL position.
 - c. **DO NOT** engage the traction drive lever.
 - d. Start the engine.
 - e. Slowly move the shift lever forward. Watch the axles for rotation. If the axles rotate, the traction drive belt is too tight.
 - f. If the belt is too tight, again adjust the belt. After each adjustment, check the belt tension before operating.
9. In correct adjustment, the snow thrower will not experience a loss of power under heavy load and the drive will automatically disengage when the traction drive lever is released.

SERVICE AND ADJUSTMENT

Auger Drive Belt

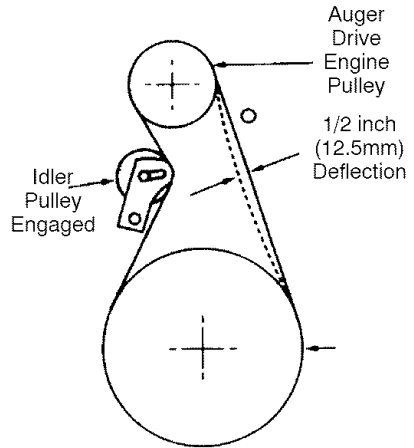
If your snow blower will not discharge snow, check the control cable adjustment. If it is correct, then check the condition of the auger drive belt. If it is damaged or loose, replace it (see "How To Replace The Belts" in this section of the manual).

1. Disconnect spark plug wire.
2. Remove **screw** from **belt cover**.
Remove **belt cover** (see Figure 36).



3. Loosen nut on auger idler pulley and move auger idler pulley towards belt about 1/8 inch (3 mm) (see Figure 40).

4. Tighten nut.
5. Have someone engage auger drive clutch. Check tension on belt (opposite idler pulley). Belt should deflect about 1/2 inch (12.5 mm) with moderate pressure (Figure 37). You may have to move idler pulley more than once to obtain the correct tension.



6. Reinstall belt cover.
7. Whenever belts are adjusted or replaced, the cables will need to be adjusted. (See Cable Adjustment in this section of the manual).
8. Attach the spark plug wire.

SERVICE AND ADJUSTMENT

HOW TO REPLACE THE BELTS

The drive belts are of special construction and must be replaced with original equipment replacement belts available from your nearest Sears service center. Some steps require the assistance of a second person.

How To Remove the Auger Drive Belt

If the auger drive belt is damaged, the snow thrower will not discharge snow. Replace the damaged belt as follows.

1. Disconnect the spark plug wire.
2. Loosen the **bolts** on each side of the **bottom panel** (see Figure 38).
3. Remove the **bottom panel**.

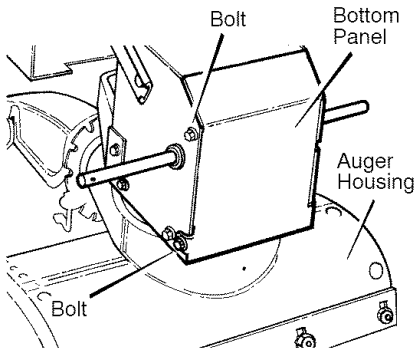


Figure 38

4. Remove **screw** from **belt cover**. Remove the **belt cover** (see Figure 36).
5. Loosen the **auger belt guide**. Pull the **auger belt guide** away from the **auger drive pulley** (see Figure 40).
6. Pull the **idler pulley** away from the **auger drive belt** and slip the **auger drive belt** off of the **idler pulley**.
7. Remove the **auger drive belt** from the **engine pulley**. To remove the **auger drive belt**, the **engine pulley** may have to be partially rotated.
8. Remove the top four **bolts** that hold together the **auger housing** and the **motor box**. Loosen the bottom

two **bolts**. The **auger housing** and the **motor box** can now be split apart for removal of the belt (see Figure 39).

9. Remove the old **auger drive belt** from the **auger drive pulley**. Replace the **auger drive belt** with an original factory replacement belt available from an authorized service center (see Figure 40).

10. Install the new **auger drive belt** onto the **auger drive pulley**.

NOTE: To assemble the auger housing to the motor box, have someone hold the auger clutch lever in the ENGAGED position. This will move the idler arm and pulley enough to allow the auger drive pulley to move back into position.

11. Assemble the **auger housing** to the **motor box** with the four **bolts** that were removed in step 8. Tighten the bottom two **bolts**.
12. Install the **auger drive belt** onto the **engine pulley**.
13. Slip the **auger drive belt** under the **idler pulley**.
14. Adjust the **auger drive belt**. See "How To Adjust The Auger Drive Belt" in the Service And Adjustment section.
15. Adjust the **auger belt guide**. See "How To Adjust The Belt Guide" in the Service And Adjustment section.
16. Install the **belt cover**. Tighten **screw** (See Figure 36).
17. Check the adjustment of the cables. See "How To Check And Adjust The Cables" in the Service And Adjustment section.
18. Install the **bottom panel** (see Figure 38).
19. Tighten the **bolts** on each side of the **bottom panel**.
20. Connect the spark plug wire.

SERVICE AND ADJUSTMENT

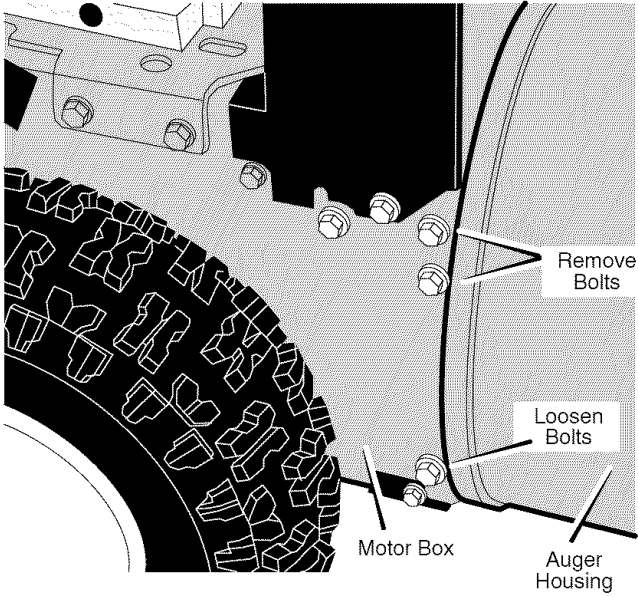


Figure 39

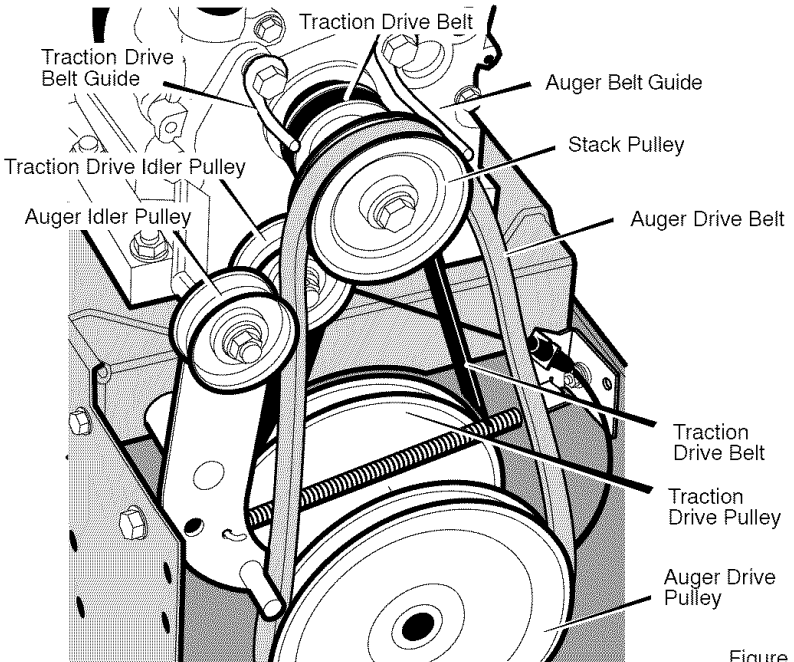


Figure 40

SERVICE AND ADJUSTMENT

How To Remove The Traction Drive Belt

If the snow thrower will not move forward, check the traction drive belt for wear or damage. If the traction drive belt is worn or damaged, replace the belt as follows.

1. Disconnect the spark plug wire.
2. Remove the auger drive belt. See "How To Remove The Auger Drive Belt" in the Service And Adjustment section.
3. Loosen the **traction drive belt guide(s)**. Pull the belt guide(s) away from the **traction drive belt**.
4. Loosen the nut on the **drive idler pulley** (see Figure 40). Move the **pulley** the maximum distance away from the **traction drive belt** and then tighten the nut on the **pulley**.
5. Remove the old **traction drive belt** from the smaller **stack pulley**. Then, remove the **stack pulley** and old **traction drive belt**. Replace the **traction drive belt** with an original equipment replacement belt available from a Sears service center.
6. Install the new **traction drive belt** onto the **traction drive pulley** and onto the engine shaft..
7. Install the **stack pulley** onto the engine shaft. Then, mount the **traction drive belt** onto the smaller

stack pulley. Tighten the **stack pulley** securely to the engine shaft.

8. Adjust the **traction drive belt guide(s)**. See "Traction Drive Belt Guide Adjustment" in the Service And Adjustment section.
9. Install and adjust the **auger drive belt**. See "How To Remove The Auger Drive Belt" in the Service And Adjustment section.
10. Adjust the **auger belt guide**. See "Auger Belt Guide Adjustment" in the Service And Adjustment section.
11. Install the **bottom panel** (see Figure 38).
12. Tighten the **bolts** on each side of the **bottom panel**.
13. Install the **belt cover**. Tighten **screw** (see Figure 36).
14. Check the adjustment of the cables. See "How To Check And Adjust The Cables" in the Service And Adjustment section.
15. Connect the spark plug wire.

IMPORTANT: After approximately ten hours of operation, a new belt will stretch and require an adjustment of the belt tension. See "Belt Adjustment" in the Service And Adjustment section.

SERVICE AND ADJUSTMENT

AUGER BELT GUIDE ADJUSTMENT

1. Remove spark plug wire.
2. Have someone engage auger drive.
3. Measure the distance between the **belt guide** and **auger drive belt**. The distance should be 1/8 inch (3.175 mm). See Figure 41.
4. If adjustment is necessary, loosen belt guide mounting bolt. Move belt guide to the correct position. Tighten mounting bolt.
5. Reinstall belt cover.
6. Reconnect spark plug wire.

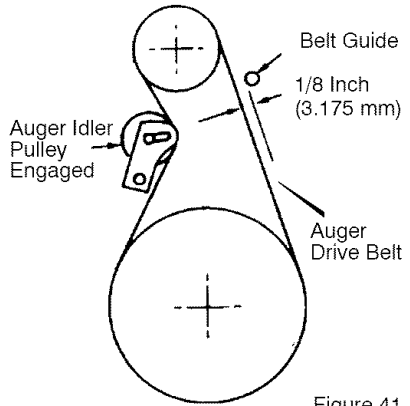


Figure 41

TRACTION DRIVE BELT GUIDE ADJUSTMENT

1. Remove spark plug wire.
2. Have someone engage the traction drive.
3. Measure the distance between the two **belt guides** and **traction drive belt**. Set the distance for the two **belt guides** as shown in Figure 42.
4. If adjustment is necessary, loosen belt guide mounting bolt. Move belt guide to the correct position. Tighten mounting bolt.
5. Reinstall belt cover.
6. Reconnect spark plug wire.

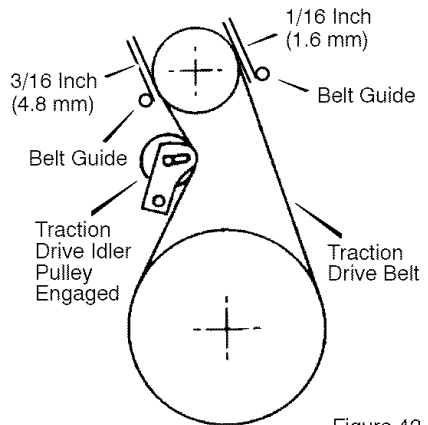


Figure 42

SERVICE AND ADJUSTMENT

HOW TO CHECK AND ADJUST THE CABLES

The cables are adjusted at the factory and no adjustment should be necessary. If the cables have become stretched or are sagging an adjustment will be necessary.

Whenever belts are adjusted or replaced, the cables will need to be adjusted.

To check for correct adjustment, unhook "Z" fitting at clutch lever (see Figure 43).

1. Move clutch lever to the full forward position (just contacting plastic bumper). Holding cable tight, note position of fitting to hole in clutch lever.

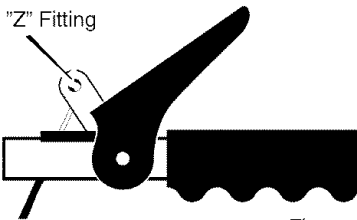


Figure 43

2. The center of the "Z" fitting should be between the center and top of the hole in the clutch lever. Adjust

either the auger drive cable or the traction drive cable as necessary according to the following instructions.

Auger Drive Cable Adjustment

1. Run the engine until the fuel tank is empty and the engine stops.
2. Stand the snow thrower up on the front end of the auger housing.
3. Push cable through spring to expose the threaded portion of the cable (see Figure 44).

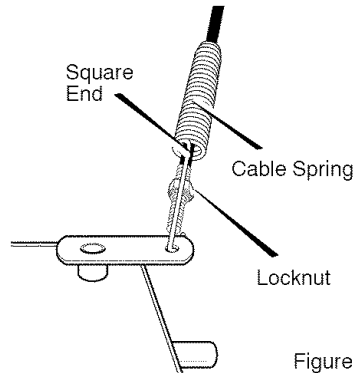


Figure 44

4. Hold square end of threaded portion with pliers and adjust locknut in or out until correct adjustment is reached. Pull cable back through spring and connect cable.

SERVICE AND ADJUSTMENT

HOW TO REPLACE THE AUGER SHEAR BOLT

The augers are secured to the auger shaft with special shear bolts. These shear bolts are designed to break and protect the machine if an object becomes lodged in the auger housing. Do not use a harder bolt as the protection provided by the shear bolt will be lost.



WARNING: For safety and to protect the machine, use only original equipment shear bolts.

To replace a broken shear bolt, proceed as follows. Extra shear bolts were provided in the assembly parts bag.

1. Move the throttle control to the stop position. Disengage all controls.
2. Disconnect the spark plug wire. Make sure all moving parts have stopped.
3. Align the hole in the auger with the hole in the auger shaft. Install the new **bolt** and **nut**. See Figure 45.
4. Connect the spark plug wire.

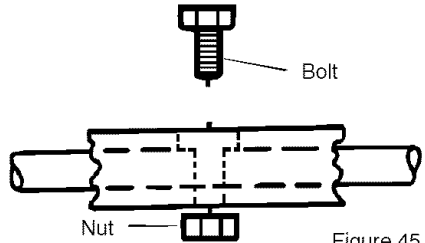


Figure 45

STORAGE



WARNING: Never store your snow thrower with gasoline in the fuel tank indoors or in an enclosed, poorly ventilated area. If gasoline remains in the tank, fumes may reach an open flame, spark or pilot light from a furnace, water heater, clothes dryer, cigarette, etc.

To prevent damage (if snow thrower is not used for more than 30 days) follow the steps below.

SNOW THROWER

1. Thoroughly clean the snow thrower.
2. Lubricate all lubrication points. See the **Maintenance** section.
3. Be sure that all nuts, bolts and screws are securely fastened. Inspect all visible moving parts for damage, breakage and wear. Replace if necessary.
4. Touch up all rusted or chipped paint surfaces; sand lightly before painting.
5. Cover the bare metal parts of the blower housing auger and the impeller with rust preventative, such as a spray lubricant.

NOTE: A yearly checkup or tune-up by a Sears service center is a good way of ensuring that your snow thrower will provide maximum performance for the next season.

ENGINE

Gasoline must be removed or treated to prevent gum deposits from forming in the fuel tank, filter, hose, and carburetor during storage. Also, during storage alcohol blended gasoline that uses ethanol or methanol (sometimes called gasohol) attracts water. It acts on the gasoline to form acids which damage the engine.

1. Run the engine until the fuel tank is empty and the engine stops.
2. If you do not remove the gasoline, use fuel stabilizer supplied with unit or purchase Craftsman Fuel Stabilizer No. 3550. Add fuel stabilizer to any gasoline left in the tank to minimize gum deposits and acids. If the fuel tank is almost empty, mix stabilizer with fresh gasoline in a separate container and add some to the fuel tank.
3. Always follow the instructions on the stabilizer container. After the stabilizer is added to the fuel tank, run the engine at least ten minutes to allow the mixture to reach the carburetor.
4. Change the engine oil.
5. Remove the spark plug and pour about 15 ml (1/2 oz) of engine oil into the cylinder. Replace the spark plug and crank slowly to distribute the oil.
6. Store in a clean and dry area, but **NOT** near a stove, furnace or water heater which uses a pilot light or any device that can create a spark.

OTHER

1. If possible, store your snow thrower indoors and cover it to give protection from dust and dirt.
2. If the snow thrower must be stored outdoors, put the snow thrower on blocks to raise it off of the ground.
3. Cover the snow thrower with a suitable protective cover that does not retain moisture. Do not use plastic.

IMPORTANT: Never cover snow thrower while engine and exhaust areas are still warm.

TROUBLESHOOTING

TROUBLE	CAUSE	CORRECTION
Difficult starting	Defective spark plug.	Replace spark plug.
	Water or dirt in fuel system.	Remove fuel from fuel tank. Add fresh fuel.
Engine runs erratically	Blocked fuel line, empty gas tank, or stale gasoline	Clean fuel line; check fuel supply; add fresh gasoline
Engine stalls	Unit running on CHOKE.	Set choke lever to OFF position.
Engine runs erratic; Loss of power	Water or dirt in fuel system.	Remove fuel from fuel tank. Add fresh fuel.
Electric Grips do not heat; Electric Chute does not rotate	Blown fuse	Check the fuse. Replace the fuse with a 7.5 amp automotive type fuse. See the Wiring Harness parts list page for the location of the fuse.
Excessive vibration	Loose parts: damaged impeller	Immediately stop engine. Remove ignition key. Tighten all fasteners and make all necessary repairs. If vibration continues, take the unit to a Sears service center.
Unit fails to propel itself	Traction drive belt loose or damaged.	Replace traction drive belt.
	Incorrect adjustment of traction drive cable	Adjust traction drive cable.
	Worn or damaged friction wheel.	Replace friction wheel.
Unit fails to discharge snow	Auger drive belt loose or damaged.	Adjust auger drive belt; replace if damaged.
	Auger control cable not adjusted correctly.	Adjust auger control cable.
	Shear bolt broken	Replace shear bolt
	Discharge chute clogged.	Stop engine immediately and disconnect spark plug wire. Clean discharge chute and inside of auger housing.
	Foreign object lodged in auger	Stop engine immediately and disconnect spark plug wire. Remove object from auger.

Sears, Roebuck and Co., U.S.A. (Sears), the California Air Resources Board (CARB) and the United States Environmental Protection Agency (U.S. EPA) Emission Control System Warranty Statement (Owner's Defect Warranty Rights and Obligations)

EMISSION CONTROL WARRANTY COVERAGE IS APPLICABLE TO CERTIFIED ENGINES PURCHASED IN CALIFORNIA IN 1995 AND THEREAFTER, WHICH ARE USED IN CALIFORNIA, AND TO CERTIFIED MODEL

YEAR 1997 AND LATER ENGINES WHICH ARE PURCHASED AND USED ELSEWHERE IN THE UNITED STATES (AND AFTER JANUARY 1, 2001 IN CANADA).

California and United States Emission Control Defects Warranty Statement

The California Air Resources Board (CARB), U.S. EPA and Sears are pleased to explain the Emission Control System Warranty on your model year 2000 and later small off-road engine (SORE). In California, new small off-road engines must be designed, built and equipped to meet the State's stringent anti-smog standards. Elsewhere in the United States, new non-road, spark-ignition engines certified for model year 1997 and later must meet similar standards set forth by the U.S. EPA. Sears must warrant the emission control

system on your engine for the periods of time listed below, provided there has been no abuse, neglect or improper maintenance of your small off-road engine. Your emission control system includes parts such as the carburetor, air cleaner, ignition system, muffler and catalytic converter. Also included may be connectors and other emission related assemblies. Where a warrantable condition exists, Sears will repair your small off-road engine at no cost to you including diagnosis, parts and labor.

Sears Emission Control Defects Warranty Coverage

Small off-road engines are warranted relative to emission control parts defects for a period of two years, subject to provi-

sions set forth below. If any covered part on your engine is defective, the part will be repaired or replaced by Sears.

Owner's Warranty Responsibilities

As the small off-road engine owner, you are responsible for the performance of the required maintenance listed in your Operating and Maintenance Instructions. Sears recommends that you retain all your receipts covering maintenance on your small off-road engine, but Sears cannot deny warranty solely for the lack of receipts or for your failure to ensure the performance of all scheduled maintenance.

As the small off-road engine owner, you should however be aware that Sears may deny you warranty coverage if your small off-road engine or a part has failed due to abuse, neglect, improper maintenance or

unapproved modifications.

You are responsible for presenting your small off-road engine to an Authorized Sears Service Dealer as soon as a problem exists. The undisputed warranty repairs should be completed in a reasonable amount of time, not to exceed 30 days.

If you have any questions regarding your warranty rights and responsibilities, you should contact a Sears Service Representative at 1-800-469-4663.

The emission warranty is a defects warranty. Defects are judged on normal engine performance. The warranty is not related to an in-use emission test.

Sears Emission Control Defects Warranty Provisions

The following are specific provisions relative to your Emission Control Defects Warranty Coverage. It is in addition to the Sears engine warranty for non-regulated engines found in the Operating and Maintenance Instructions.

1. Warranted Parts
F-041074L

Coverage under this warranty extends only to the parts listed below

(the emission control systems parts) to the extent these parts were present on the engine purchased.

- a. Fuel Metering System
 - Cold start enrichment system
 - Carburetor and internal parts
 - Fuel Pump
 - b. Air Induction System
 - Air cleaner
 - Intake manifold
 - c. Ignition System
 - Spark plug(s)
 - Magneto ignition system
 - d. Catalyst System
 - Catalytic converter
 - Exhaust manifold
 - Air injection system or pulse valve
 - e. Miscellaneous Items Used in Above Systems
 - Vacuum, temperature, position, time sensitive valves and switches
 - Connectors and assemblies
2. Length of Coverage
Sears warrants to the initial owner and each subsequent purchaser that the Warranted Parts shall be free from defects in materials and workmanship which caused the failure of the Warranted Parts for a period of two years from the date the engine is delivered to a retail purchaser.
 3. No Charge
Repair or replacement of any Warranted Part will be performed at no charge to the owner, including diagnostic labor which leads to the determination that a Warranted Part is defective, if the diagnostic work is performed at an Authorized Sears

Service Dealer. For emissions warranty service contact your nearest Authorized Sears Service Dealer as listed in the "Yellow Pages" under "Engines, Gasoline," "Gasoline Engines," "Lawn Mowers," or similar category.

4. Claims and Coverage Exclusions
Warranty claims shall be filed in accordance with the provisions of the Sears Engine Warranty Policy. Warranty coverage shall be excluded for failures of Warranted Parts which are not original Sears parts or because of abuse, neglect or improper maintenance as set forth in the Sears Engine Warranty Policy. Sears is not liable to cover failures of Warranted Parts caused by the use of add-on, non-original, or modified parts.
5. Maintenance
Any Warranted Part which is not scheduled for replacement as required maintenance or which is scheduled only for regular inspection to the effect of "repair or replace as necessary" shall be warranted as to defects for the warranty period. Any Warranted Part which is scheduled for replacement as required maintenance shall be warranted as to defects only for the period of time up to the first scheduled replacement for that part. Any replacement part that is equivalent in performance and durability may be used in the performance of any maintenance or repairs. The owner is responsible for the performance of all required maintenance, as defined in the Sears Operating and Maintenance Instructions.
6. Consequential Coverage
Coverage hereunder shall extend to the failure of any engine components caused by the failure of any Warranted Part still under warranty.

In the USA and Canada, a 24 hour hot line, **1-800-469-4663**, has a menu of pre-recorded messages offering you engine maintenance information.

Look For Relevant Emissions Durability Period and Air Index Information On Your Engine Emissions Label

Engines that are certified to meet the California Air Resources Board (CARB) Tier 2 Emission Standards must display information regarding the Emissions Durability Period and the Air Index. Sears, Roebuck and Co., U.S.A. makes this information available to the consumer on our emission labels.

The **Emissions Durability Period** describes the number of hours of actual running time for which the engine is certified to be emissions compliant, assuming proper maintenance in accordance with the Operating & Maintenance Instructions. The following categories are used:

Moderate: Engine is certified to be emission compliant for 125 hours of actual engine running time.

Intermediate: Engine is certified to be emission compliant for 250 hours of actual engine running time.

Extended: Engine is certified to be emission compliant for 500 hours of actual engine running time.

For example, a typical walk-behind lawn mower is used 20 to 25 hours per year. Therefore, the **Emissions Durability Period** of an engine with an **intermediate** rating would equate to 10 to 12 years.

The **Air Index** is a calculated number describing the relative level of emissions for a specific engine family. The lower the **Air Index**, the cleaner the engine. This information is displayed in graphical form on the emissions label.

After July 1, 2000, Look For Emissions Compliance Period On Engine Emissions Compliance Label

After July 1, 2000 certain Sears, Roebuck and Co., U.S.A. engines will be certified to meet the United States Environmental Protection Agency (USEPA) Phase 2 emission standards. For Phase 2 certified engines, the Emissions Compliance Period referred to on the Emissions Compliance label indicates the number of operating hours for which the engine has been shown to meet Federal emission requirements. For engines less than 225 cc displacement, Category C = 125 hours, B = 250 hours and A = 500 hours. For engines of 225 cc or more, Category C = 250 hours, B = 500 hours and A = 1000 hours.

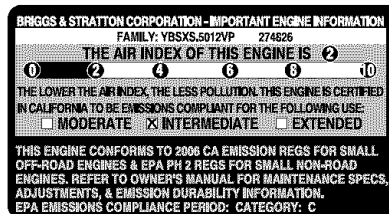
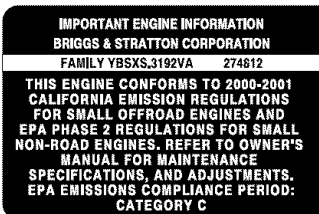
The displacement engines of Model Series 90000 is 148 cc.

The displacement engines of Model Series 120000 is 206 cc.

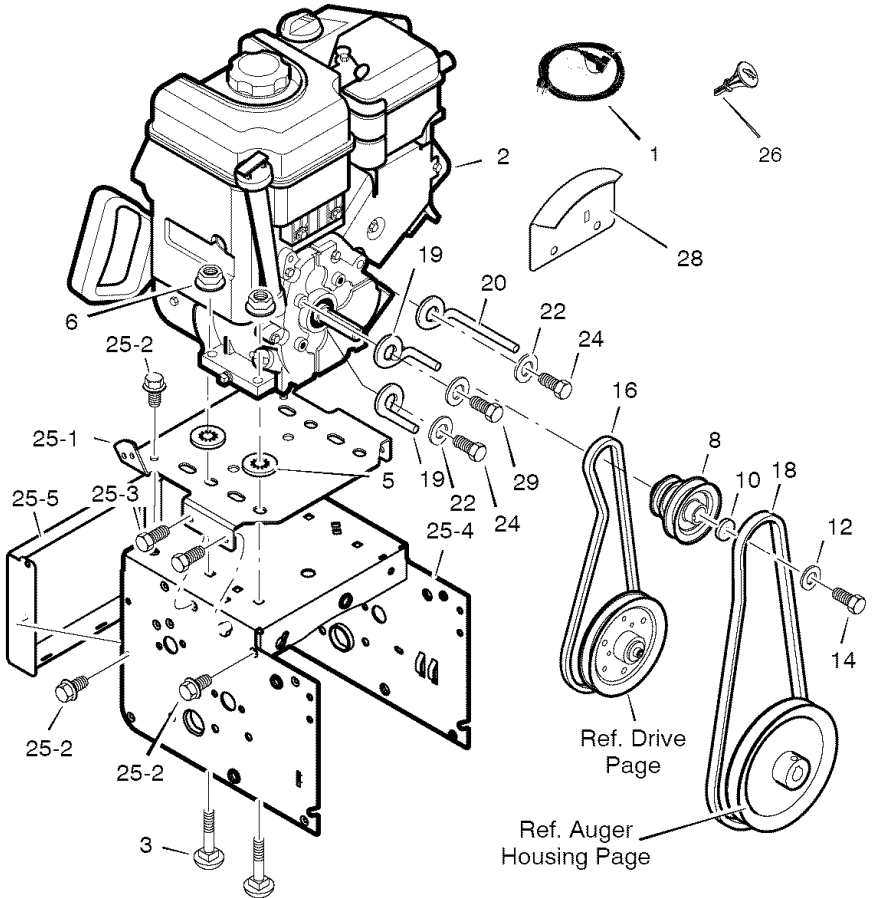
The displacement engines of Model Series 200000 is 305 cc.

The displacement engines of Model Series 210000 is 342 cc.

This is a generic representation of the emission label typically found on a certified engine.

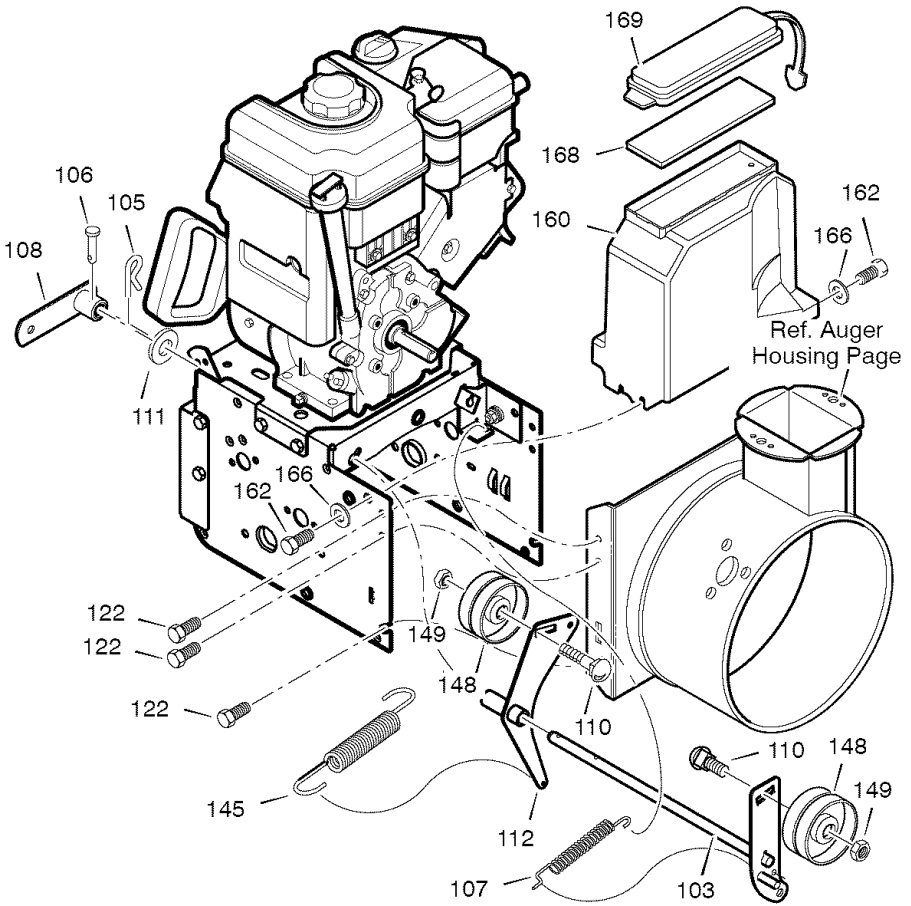


CRAFTSMAN 33" 13 HP SNOW THROWER 536.889252 ENGINE



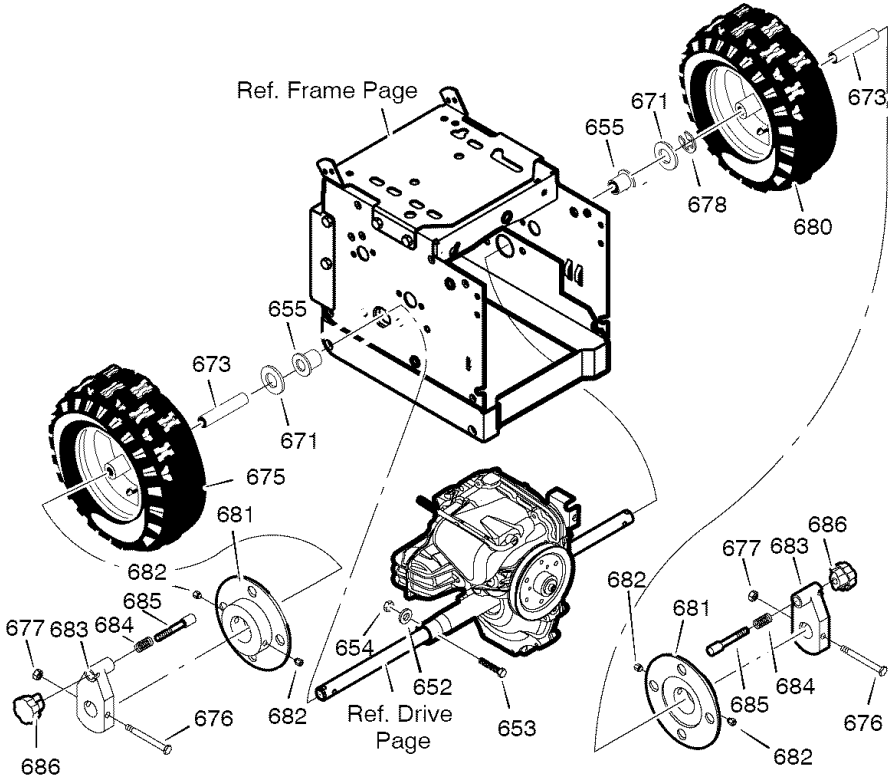
Key No.	Part No.	Description	Key No.	Part No.	Description
1	6219	CORD, STARTER	20	1501201	GUIDE, BELT
2	- - - - -	ENGINE	22	71060	WASHER
- -	1501214	KEY, ENGINE	24	710097	SCREW
3	002x97	BOLT, CARRIAGE	25	- - - - -	FRAME ASSEMBLY
5	028x76	RETAINER, PUSH	25-1	1501062E201	PLATE, ENGINE
6	710026	NUT, HEX 5/16-18	25-2	310169	SCREW, TAP
8	1501109	PULLEY, ENGINE	25-3	25x020	SCREW, TAP
10	710247	WASHER	25-4	1501295E201	FRAME, MOTORBOX
12	71063	WASHER .38ID	25-5	1501333E201	PANEL, BACK - HY
14	71015	SCREW	26	1501214	KEY, ENGINE
16	37x127	BELT, HYDRO DR	28	1501994	BRACKET, SHIELD
18	585416	BELT, V 4L	29	06x117	SCREW
19	1501368	GUIDE, BELT	- -	F-041074L	OWNER'S MANUAL

CRAFTSMAN 33" 13 HP SNOW THROWER 536.889252 FRAME



Key No.	Part No.	Description	Key No.	Part No.	Description
103	1501782 YZ	ASSY, AUGER IDLER	145	165x155	SPRING, CLUTCH
105	711682	PIN, HAIR	148	50793	PULLEY, IDLER
106	761761	PIN, CLEVIS 3/16" DIA	149	590	NUT, JAM 3/8-16
107	165x159	SPRING, TENSION	160	1501052	COVER, BELT
108	761675 YZ	SPRING ATTACHMENT	162	26x306	SCREW, 1/4-20 X .63
110	585781	BOLT, 3/8-16X1.25	166	71067	WASHER, FLAT
111	711617	WASHER, FLAT	168	761187	PAD, FOAM
112	1501370 YZ	BRACKET, IDLER	169	760539	LID
122	25x020	SCREW, 5/16-18 X .50			

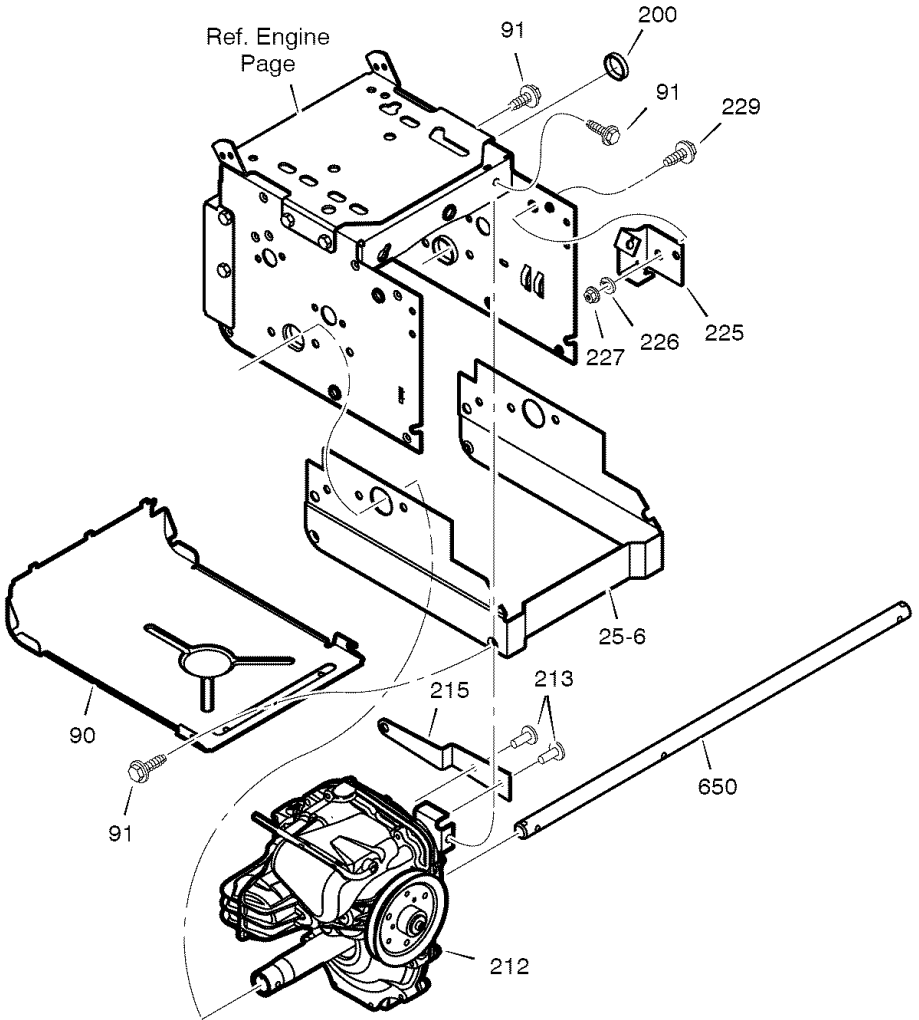
CRAFTSMAN 33" 13 HP SNOW THROWER 536.889252 WHEEL ASSEMBLY



Key No.	Part No.	Description	Key No.	Part No.	Description
653	01x193	SCREW, 1/4-20x1.75	678	239	RING, RET
654	15x145	NUT, 1/4-20	680	1501811	TIRE & RIM, LEFT
655	1501114	BEARING, AXLE	681	1501032E	DISC, WHEEL
671	712120	FLATWASHER	682	2001066	SCREW
673	1501138	BUSHING, WHEEL	683	1501930	HUB, WHEEL LOCK
675	1501810	TIRE & RIM, RIGHT	684	164X34	SPRING *
676	73839	SCREW, 1/4-20x2.25	685	1501856 YZ	PIN, LOCK *
677	15x116	NUT, 1/4-20	686	1501855	KNOB *

* NOTE: These parts are included with key 683.

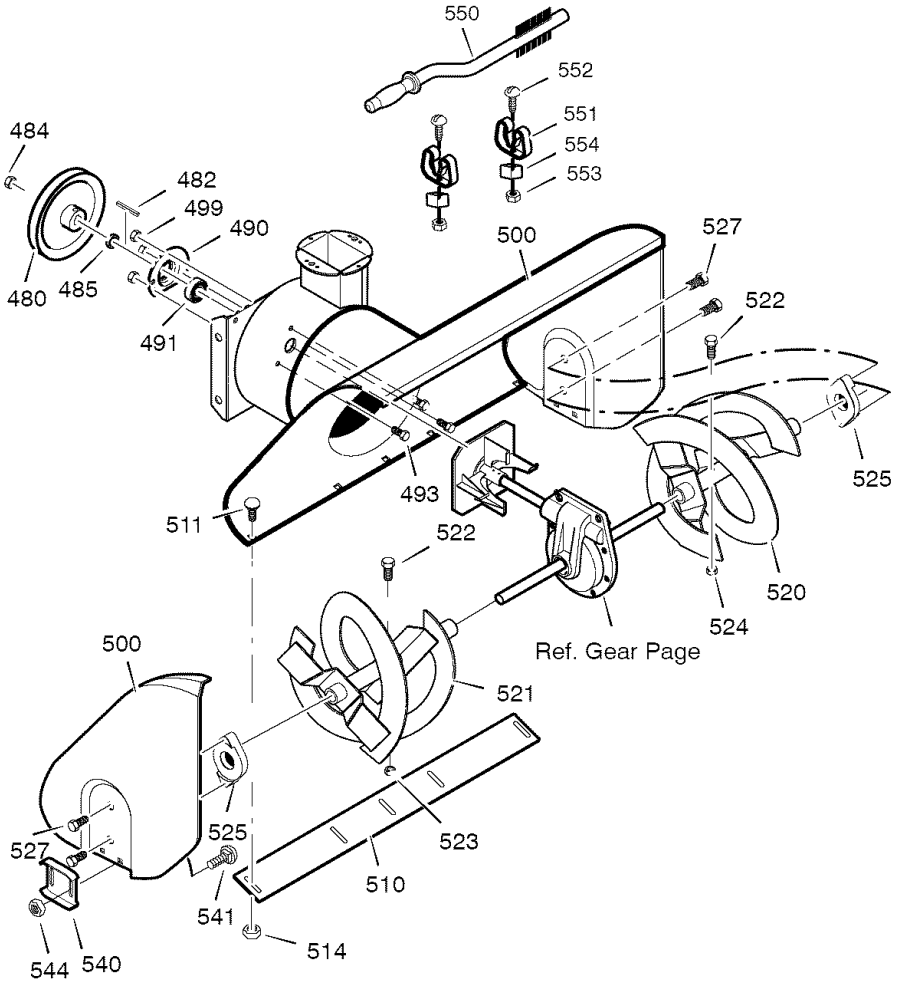
CRAFTSMAN 33" 13 HP SNOW THROWER 536.889252 DRIVE



CRAFTSMAN 33" 13 HP SNOW THROWER 536.889252 DRIVE

Key No.	Part No.	Description
90	1501311E701	COVER, BOTTOM
91	310169	SCREW, 1/4-20 X 0.62
25-6	1501334E201	FRAME, EXTENSION - HYDRO
200	1501496	PLUG, HEYCO
212	- - - - -	TRANSMISSION, HYDRO
213	021X11	RIVET, BLIND
215	1501366	ARM, CONTROL EXTENSION
225	1501361	BRACKET, DRIVE CABLE
226	71063	WASHER, LOCK
227	71045	NUT, HEX JAM - 3/8-16
229	025X19	SCREW
650	1501366	AXLE, WHEEL

CRAFTSMAN 33" 13 HP SNOW THROWER 536.889252 AUGER HOUSING

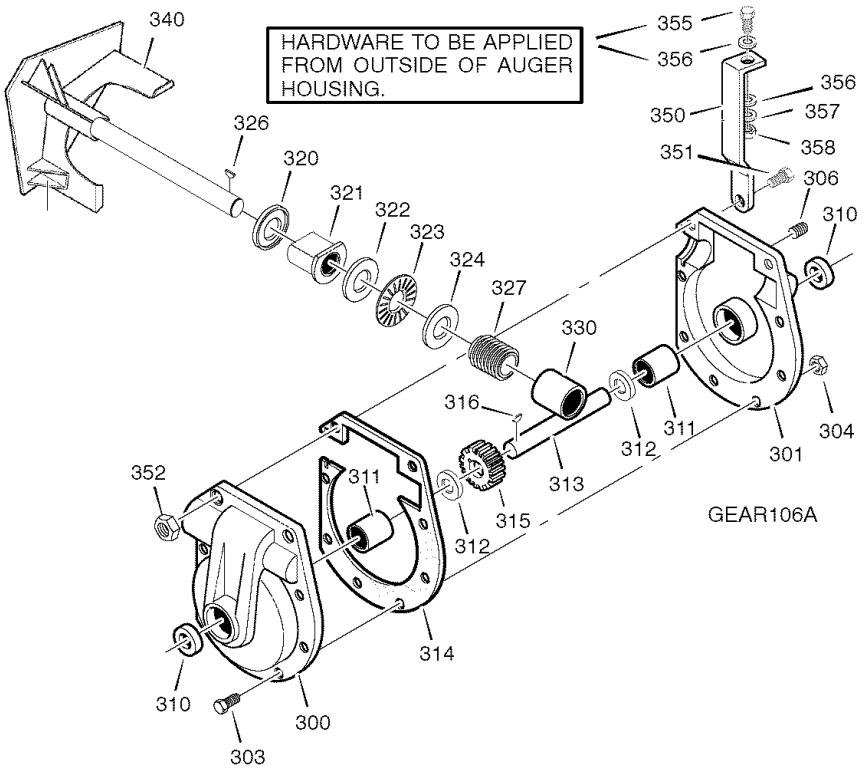


CRAFTSMAN 33" 13 HP SNOW THROWER 536.889252

AUGER HOUSING

Key No.	Part No.	Description
480	583146	PULLEY
482	2001022	KEY, SQUARE
484	15X112	NUT, 1/4-20
485	1501158	SPACER, FRICTION PULLEY
490	582957 YZ	RETAINER, BALL BRNG
491	1501389	BEARING, BALL
493	001X92	BOLT, HEX - 0.31-18X0.50
499	710026	NUT, 5/16-18 HEXWDFLLK
500	1501711E201	HOUSING, ASSY
510	760666E701	BLADE, SCRAPER
511	340720	BOLT, 1/4-20X.75
514	710026	NUT
520	760317E701	AUGER, ASSY, LH
521	760307E701	AUGER, ASSY, RH
522	578647	SCREW, 5/16-18 x 2.00
524	71391	NUT, 5/16-18
525	53757	BEARING,FLANGE
527	70984	SCREW, 5/16-18X .75
540	762367E701	SKID, HEIGHT ADJUST
541	340720	BOLT, 5/16-18 X .75
544	710026	NUT, 5/16-18 REGHEX
550	1501576	BRUSH, CLEANOUT
551	1501672	CLIP, RETAINER
552	06x115	SCREW
553	15x146	NUT
554	578063	BLOCK
--	1501227	KIT, SHEAR BOLT

CRAFTSMAN 33" 13 HP SNOW THROWER 536.889252 GEAR CASE

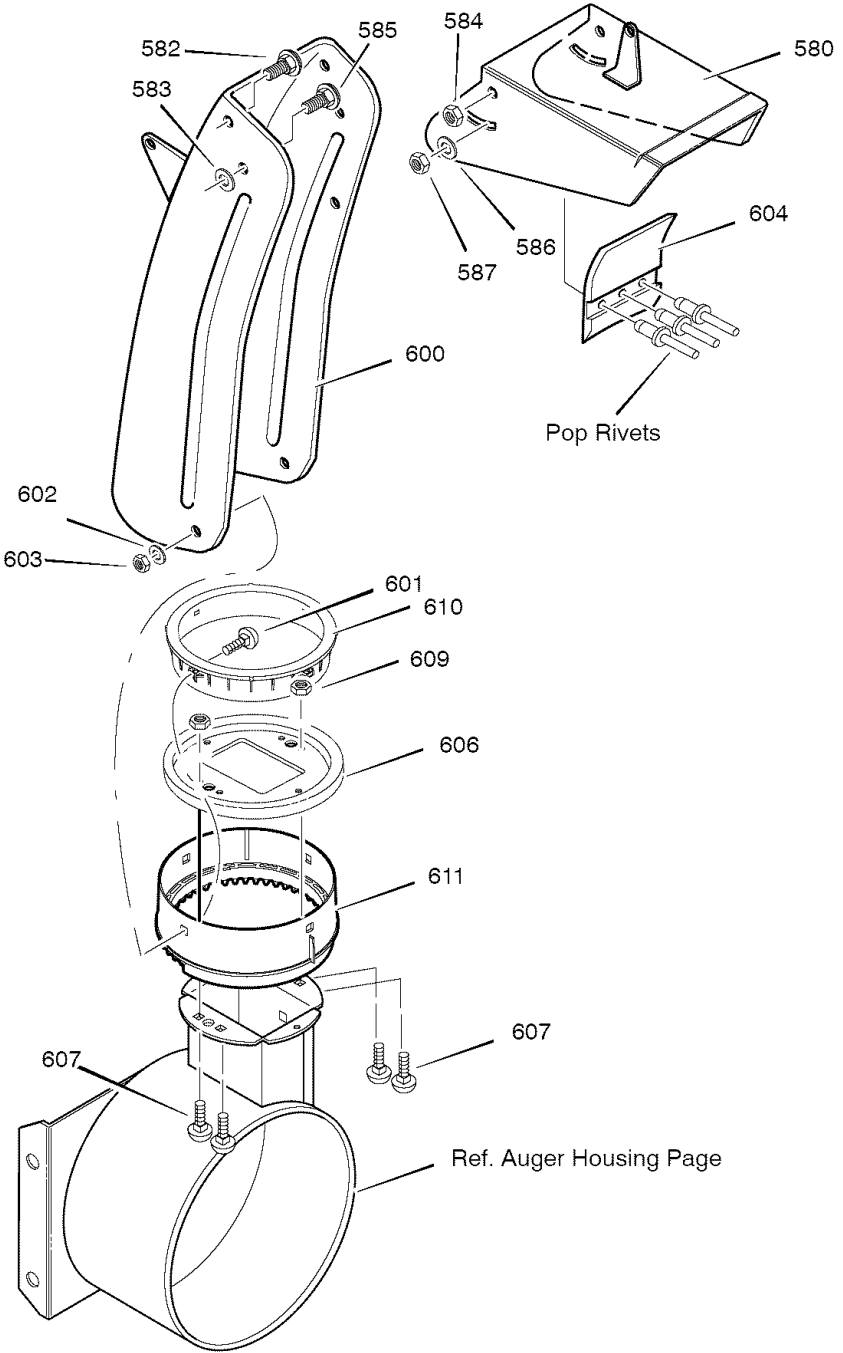


CRAFTSMAN 33" 13 HP SNOW THROWER 536.889252 GEAR CASE

Key No.	Part No.	Description
300	896	CASE, GEAR, RH
301	895	CASE, GEAR, LH
303	910828	SCREW, 5/16-24 x 1.00
304	71100	NUT, 5/16-24
305	330434	SCREW, 5/16-24 x 1.50
306	53749	PLUG, PIPE 0.25-18
310	780151	SEAL, OIL
311	53743	BEARING, SLEEVE
312	53748	WASHER, FLAT
313	760411	SHAFT, AUGER OUTPUT
314	897	GASKET, GEAR BOX
315	53730	WORM GEAR
316	73905	KEY, WOODRUFF #91
320	53737	RING, QUAD 0.924 ID
321	583126	BEARING, FLANGE
322	48275	WASHER, FLAT
323	50684	BEARING, ROLLER
324	48275	WASHER, FLAT
326	50795	KEY
327	53732	GEAR, WORM
330	53731	BEARING, SLEEVE
340	1501148E701	IMPELLER
350	1442 YZ	BRACE, GEAR BOX
351	1441	SCREW, 5/16-24 x 1.75
352	71100	NUT, HEX 5/16-24
355	302636	SCREW, 5/16-18 x 1.25
356	71071	WASHER, FLAT
357	71060	WASHER, SPTLK
358	15X144	NUT, REGHEX 5/16-18
*	333431	10oz TUBE LUBRIPLATE *

*(NOT ILLUSTRATED)

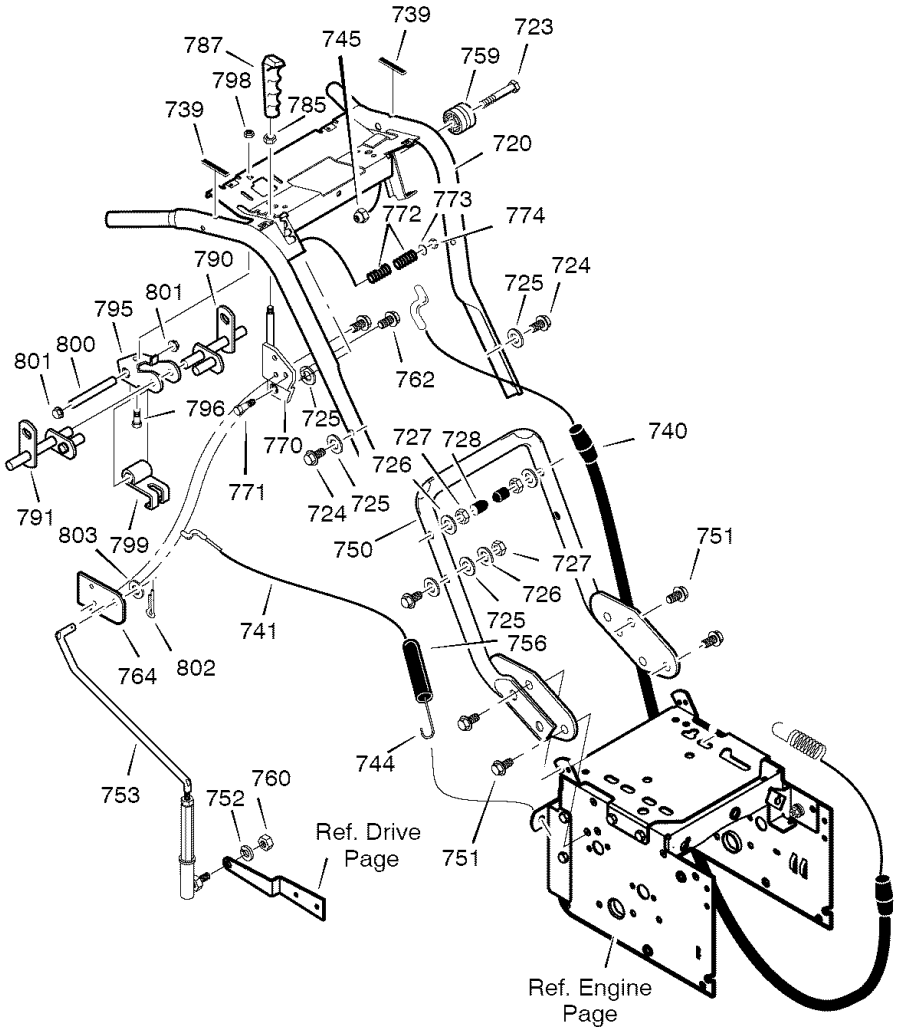
CRAFTSMAN 33" 13 HP SNOW THROWER 536.889252 DISCHARGE CHUTE



CRAFTSMAN 33" 13 HP SNOW THROWER 536.889252 DISCHARGE CHUTE

Key No.	Part No.	Description
580	761168E701	CHUTE, UPPER W/REMOTE
582	578088	SCREW, 5/16-18 X.75
584	71038	NUT
585	578088	SCREW, 5/16-18 X.75
586	6711	PLASTIC WASHER
587	71038	NUT
600	761169E701	CHUTE, LOWER W/REMOTE
601	2x100	BOLT
602	71071	WASHER, FLAT
603	71038	NUT
604	762322	FLAP
606	1501932 YZ	CHUTE COLLAR
607	02x101	BOLT
609	15x145	NUT
610	337227	RETAINER, RING INNER
611	1501476	RETAINER, RING OUTER

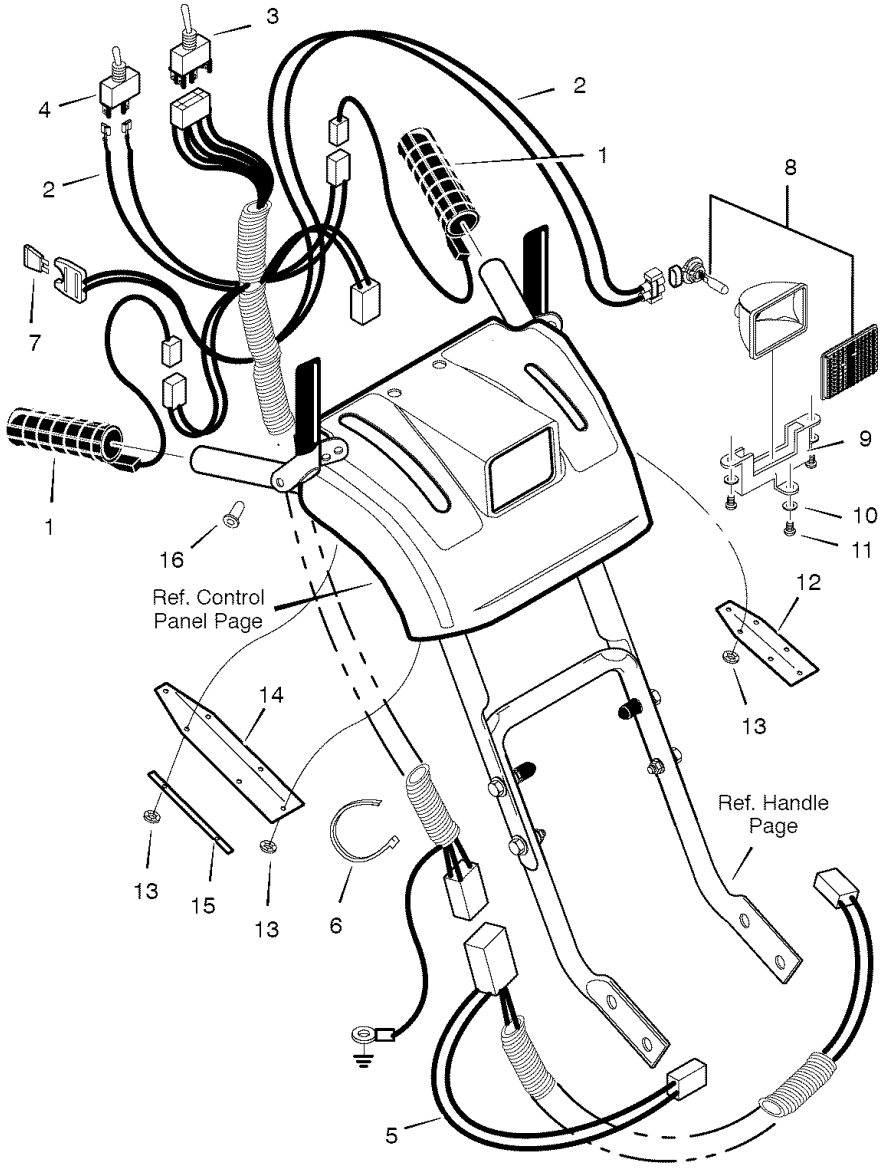
CRAFTSMAN 33" 13 HP SNOW THROWER 536.889252 HANDLE ASSEMBLY



CRAFTSMAN 33" 13 HP SNOW THROWER 536.889252 HANDLE ASSEMBLY

Key No.	Part No.	Description	Key No.	Part No.	Description
720	1501381E701	ASSY., HANDLE	764	1501367 YZ	BRKT, CONTROL
723	01x129	BOLT	770	1501375 YZ	BRACKET, SHIFT
724	7288	SCREW	771	7288	SCREW
725	71072	WASHER, FLAT	772	50786	SPRING
726	71062	WASHER	773	71072	WASHER, FLAT
727	71044	NUT	774	71046	NUT, HEX, 3/8-16
728	7289	STOP, PLASTIC	785	71045	NUT, HEX, 3/8-16
739	4049	BUMPER	787	306689	KNOB, SHIFT
740	1501363	CABLE, DRIVE	790	578926E701	ROD, ASSY LH
741	1501451	CABLE, AUGER	791	578924E701	ROD, ASSY RH
744	1673	SPRING, CLUTCH	795	579002	BRACKET, CAM
745	15x116	NUT, HEX	796	002x53	SCREW
750	1501449E701	HANDLE, LOWER	798	71038	NUT, NYLOCK
751	25x021	SCREW	799	8417	CAM LOCK
753	1501465	ASSEMBLY, ROD	800	584673	PIN, SPRING PIVOT
759	579860	SPOOL, CABLE	801	73664	NUT, PUSH ON
756	308146	BOOT, CABLE	802	71081	PIN, COTTER
760	71042	NUT, 5/16-24	803	71071	FLATWASHER
762	310169	SCREW 1/4-20X0.63			

CRAFTSMAN 33" 13 HP SNOW THROWER 536.889252 ELECTRICAL WIRING

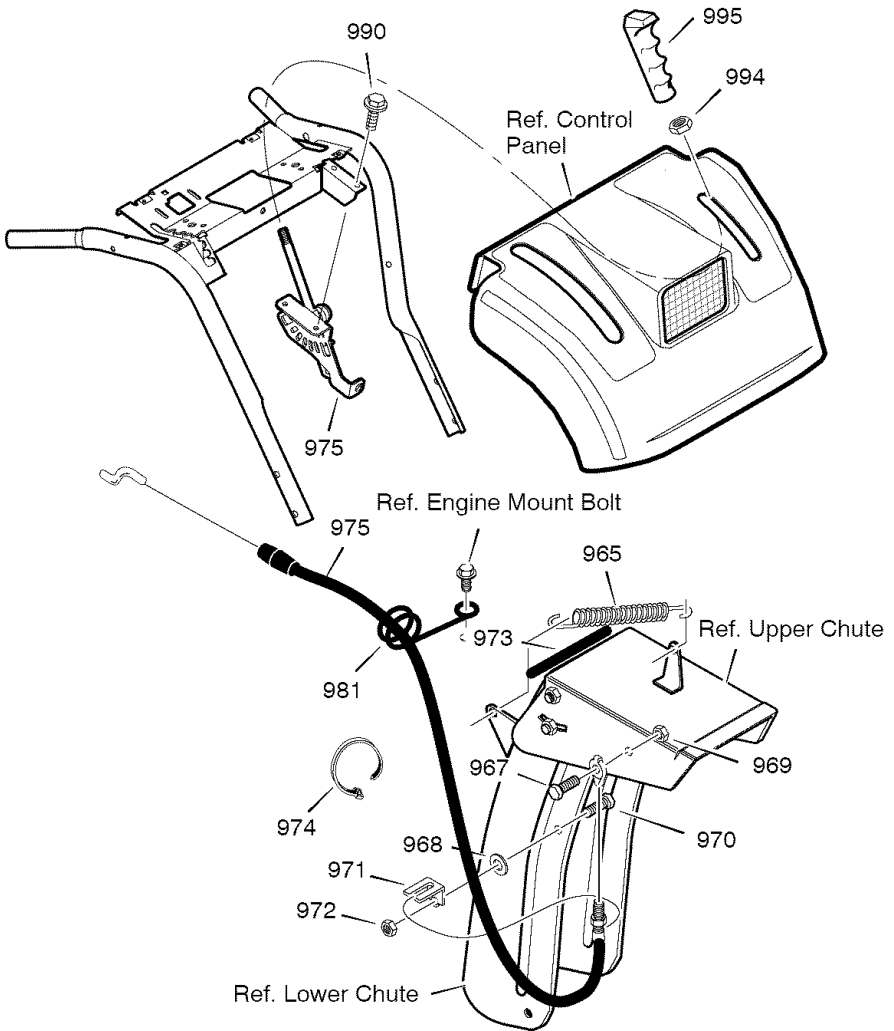


CRAFTSMAN 33" 13 HP SNOW THROWER 536.889252

ELECTRICAL WIRING

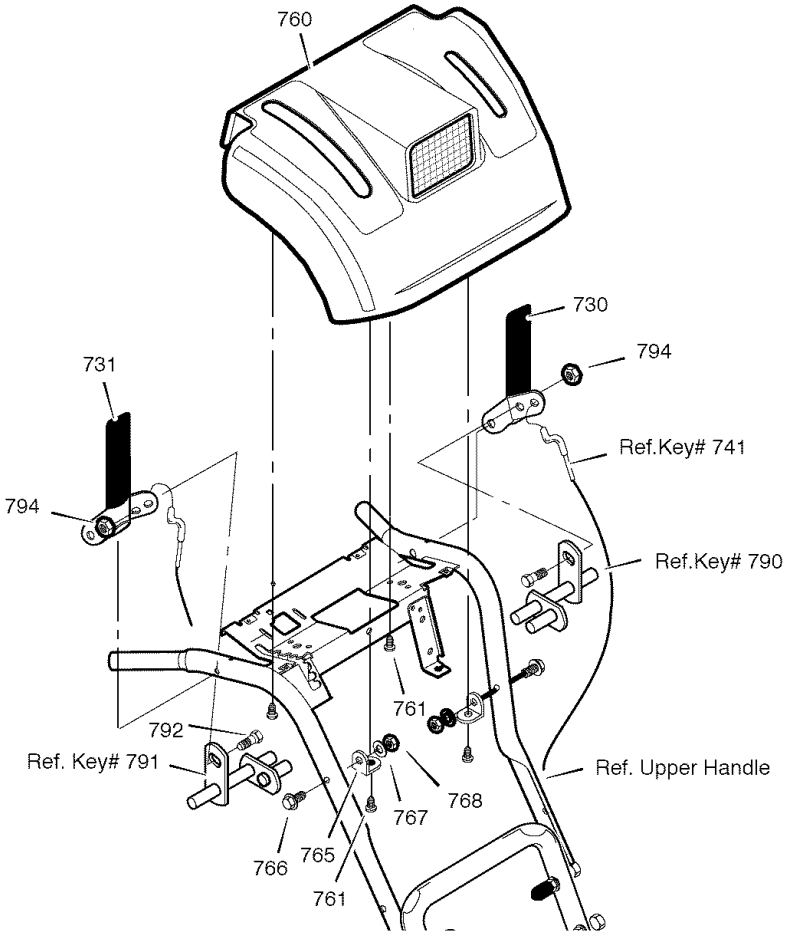
Key No.	Part No.	Description
1	1501352	GRIP, HEATED
2	1501351	WIRE HARNESS, UPPER
3	1501348	SWITCH, CHUTE ROTATION
4	1501349	SWITCH, HEATED GRIP
5	1501350	WIRE HARNESS, LOWER
6	071372	TIE, CABLE
7	- - - -	FUSE, 7.5 AMP AUTOMOTIVE
8	762343	HEADLIGHT ASSEMBLY
9	578921	BRACKET
10	901736	WASHER, FLAT
11	901696	SCREW #8 X .50
12	1501402	COVER
13	028x79	NUT, PUSH
14	1501401	COVER
15	1501330	FRAME
16	760987	RIVET, 0.125 x 0.23

CRAFTSMAN 33" 13 HP SNOW THROWER 536.889252 REMOTE CHUTE CONTROL



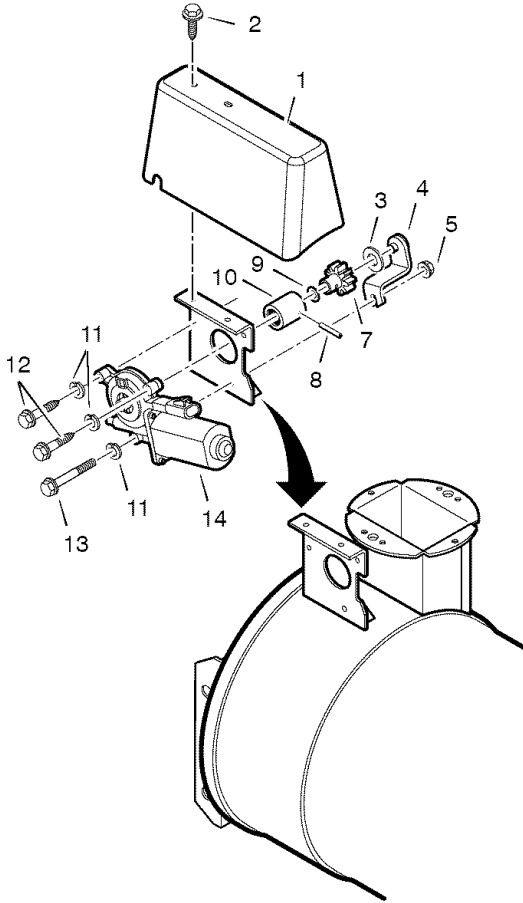
Key No.	Part No.	Description	Key No.	Part No.	Description
965	318468	SPRING, RETURN	973	1001221	TRIM
967	310088	BOLT, 5/16-18	974	071372	TIE, CABLE
968	73787	WASHER, FLAT	975	1501393	CABLE, CONTROL
969	15x143	NUT, 5/16-18	981	780220	WIRE FORM
970	313676	SCREW, 5/16-18 X .75	990	760858	SCREW, 3/8-16 X 1.75
971	306447 YZ	BRACKET, CABLE	994	71045	NUT, 3/8-16 HEX JAM
972	71391	NUT, 5/16-18	995	306689	HANDLE

CRAFTSMAN 33" 13 HP SNOW THROWER 536.889252 CONTROL PANEL



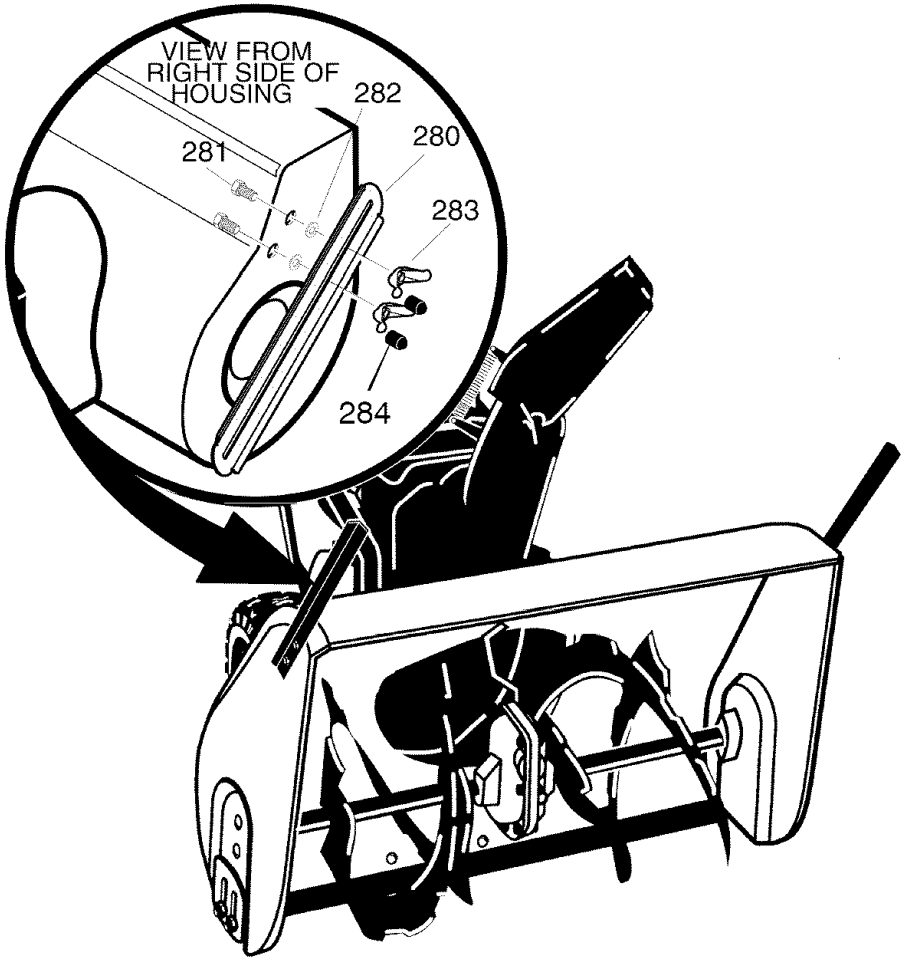
Key No.	Part No.	Description
730	1501357E701	CLUTCH HANDLE LH
731	1501358E701	CLUTCH HANDLE RH
--	337380	GRIP, CLUTCH HANDLE
760	1501399	PANEL, CONTROL
761	316042	SCREW, 10 X .62
765	578866E701	BRACKET, PANEL
766	302900	SCREW, 5/16-18 X 1.75
767	71060	WASHER
768	15x144	NUT, 5/16-18
792	905531	BOLT, 1/4-20 X .50
794	908913	NUT, 1/4-20

CRAFTSMAN 33" 13 HP SNOW THROWER 536.889252 MOTORIZED CHUTE CONTROL ASSEMBLY



Key No.	Part No.	Description	Key No.	Part No.	Description
1	1501347	COVER, MOTOR	9	1501430	RING, RETAINER
2	26x263	SCREW	10	1501341	ADAPTER
3	17x185	WASHER	11	018x30	WASHER, SPLIT
4	1501396	BRACE, CHUTE GEAR	12	26x310	SCREW
5	15x143	NUT	13	001x94	BOLT, HEX
7	1501067	GEAR	14	1501340	MOTOR, ELECTRIC
8	032x75	PIN, SPRING			

**CRAFTSMAN 33" 13 HP SNOW THROWER 536.889252
DRIFT CUTTER ASSEMBLY**



Key No.	Part No.	Description
280	762348E701	DRIFT CUTTER
281	340720	BOLT
282	12021	WASHER
283	711604	WINGNUT
284	11261	STOP, PLASTIC

CRAFTSMAN 33" 13 HP SNOW THROWER 536.889252 DECALS

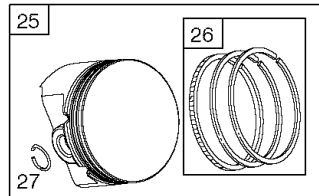
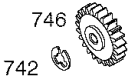
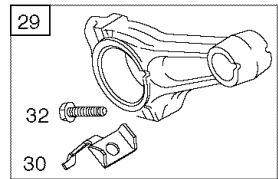
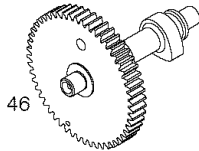
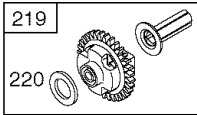
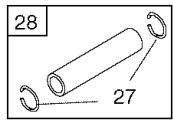
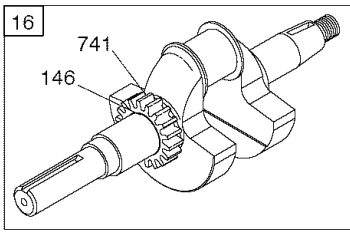
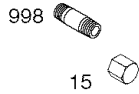
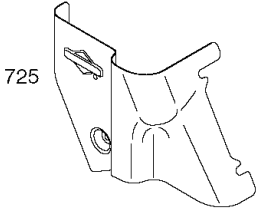
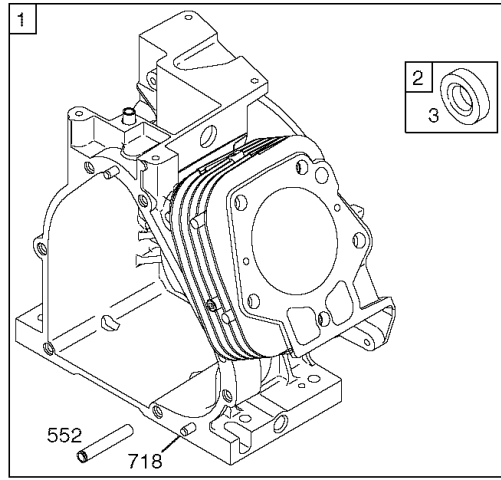
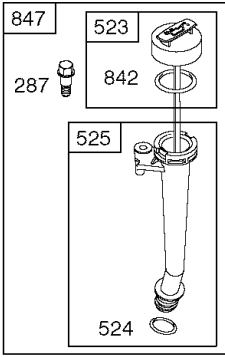
Part No.	Description
48x5286	DECAL, DANGER & FOOT *
48x5557	DECAL, 13 / 33 CRAFTSMAN *
48X5578	DECAL, THROWN OBJECTS *
48x4071	DECAL, AUGER / HYDRO 13/33 *
48x4072	DECAL, TRAC / REMOTE CHUTE *
48x5629	DECAL, SINGLE HAND CONTROL *
48x5577	DECAL, HYDRO - SIDES OF CHUTE *
48x5580	DECAL, DANGER CHUTE *
48x5599	DECAL, CLEAN CLEAR BRUSH *
48x5613	DECAL, CRAFTSMAN - HANDLE PANEL *
48x5582	DECAL, PINCH POINT ELECTRIC CHUTE *
760983	DECAL, TOOLBOX LID *

* Not Illustrated

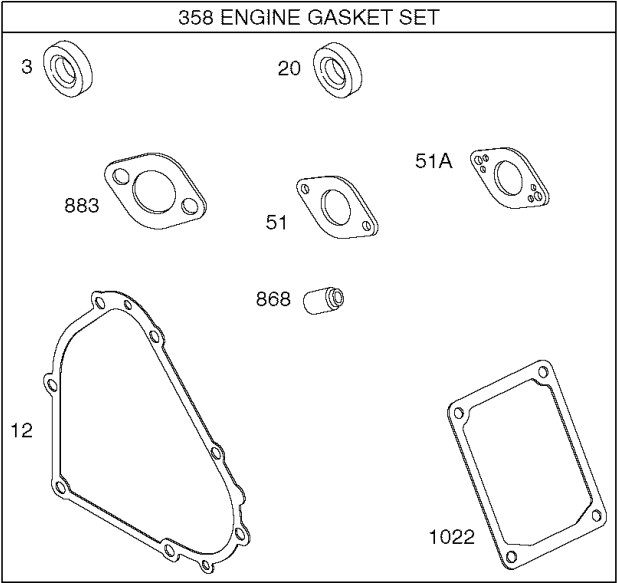
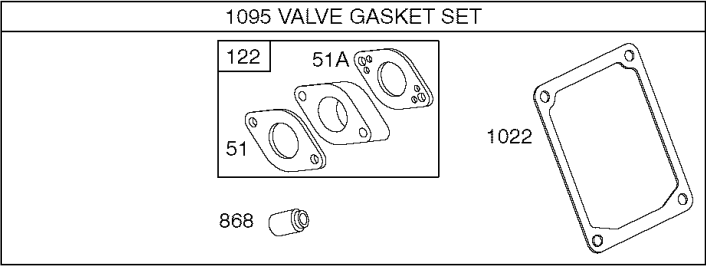
4-CYCLE ENGINE MODEL NUMBER 21A414-0134-E1

1019 LABEL KIT

1058 OWNER'S MANUAL



4-CYCLE ENGINE MODEL NUMBER 21A414-0134-E1

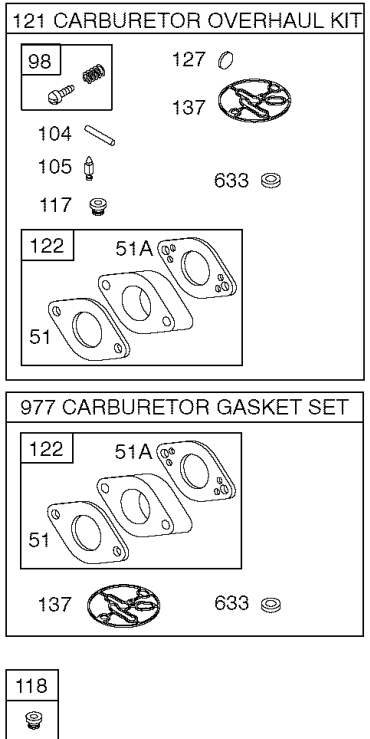
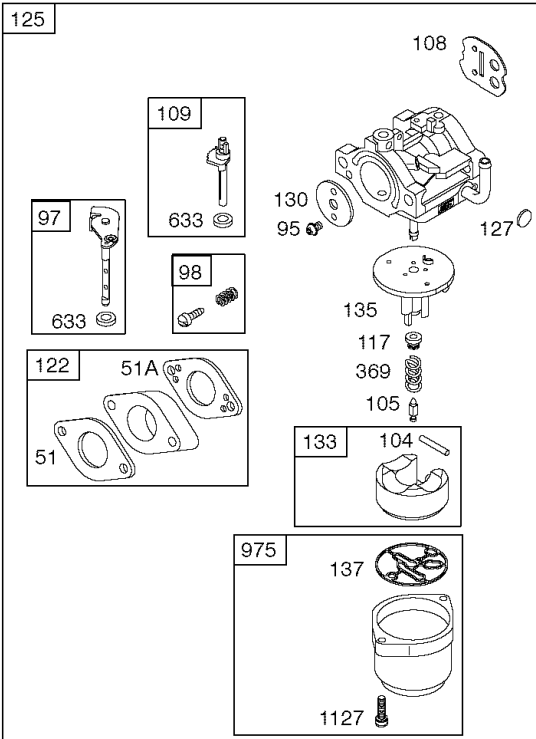
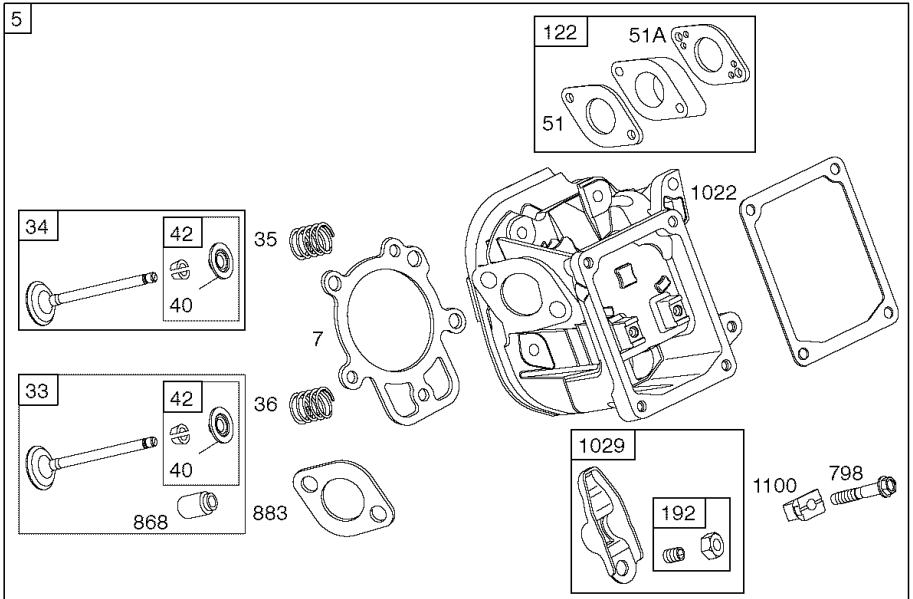


4-CYCLE ENGINE MODEL NUMBER 21A414-0134-E1

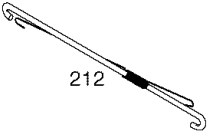
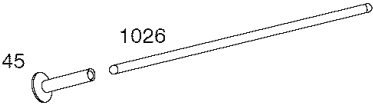
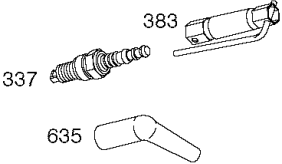
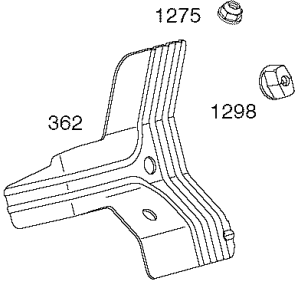
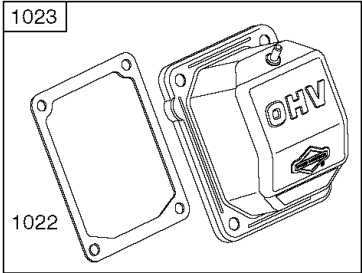
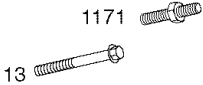
KEY NO.	PART NO.	DESCRIPTION	KEY NO.	PART NO.	DESCRIPTION
1	697702	Cylinder Assembly	29	694691	Rod-Connecting
2	495657	Kit-Bushing/Seal (Magneto Side)	30	694692	Dipper-Connecting Rod
3	*391086	Seal-Oil (Magneto Side)	32	690976	Screw (Connecting Rod)
7	697690	Gasket-Cylinder Head	46	697239	Camshaft
12	*694953	Gasket-Crankcase	51*Δ♦♦694874		Gasket-Intake
15	695757	Plug-Oil Drain	51A*Δ♦♦694875		Gasket-Intake
16	696412	Crankshaft	122 Δ♦♦694876		Spacer-Carburetor
18	696914	Cover-Crankcase	146	690979	Key-T iming
19	495657	Kit-Bushing/Seal (PTO Side)	219	693578	Gear-Governor
20	*391086	Seal-Oil (PTO Side)	220	691724	Washer (Governor Gear)
21	281658	Cap-Oil Fill	287	691693	Screw (Dipstick Tube)
22	695174	Screw (Crankcase Cover/ Sump)	358	695438	Gasket Set-Engine
24	222698	Key-Flywheel	523	695344	Dipstick
25	697693	Piston Assembly (Standard)	524	691876	Seal-O Ring (Dipstick Tube)
		----- Note -----	525	695343	Tube-Dipstick
		697694 Piston Assembly (.010" Oversize)	552	694674	Bushing-Governor Crank
		697695 Piston Assembly (.020" Oversize)	718	690959	Pin-Locating
		697696 Piston Assembly (.030" Oversize)	718A	695178	Pin-Locating
26	697692	Ring Set (Standard)	725	696756	Shield-Heat
		----- Note -----	741	691288	Gear-T iming
		697697 Ring Set (.010" Oversize)	742	692564	Retainer-E Ring
		697698 Ring Set (.020" Oversize)	746	694679	Gear-Idler
		697699 Ring Set (.030" Oversize)	842	691031	Seal-O Ring (Dipstick Tube)
27	690975	Lock-Piston Pin	847	695342	Dipstick/Tube Assembly
28	696581	Pin-Piston	868	*Δ690968	Seal-Valve
			883	*Δ695398	Gasket-Exhaust
			998	696683	Pipe-Oil
			1019	696745	Kit-Label
			1022	*Δ690971	Gasket-Rocker Cover
			1058	275010	Owner's Manual
			1095	695440	Gasket Set-Valve (Exhaust)

4-CYCLE ENGINE MODEL NUMBER 21A414-0134-E1

4-CYCLE ENGINE MODEL NUMBER 21A414-0134-E1



4-CYCLE ENGINE MODEL NUMBER 21A414-0134-E1

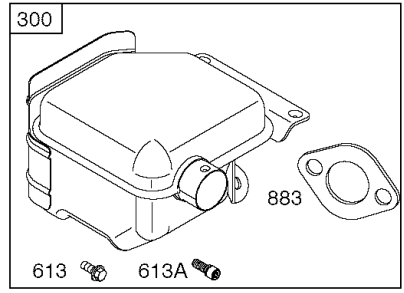
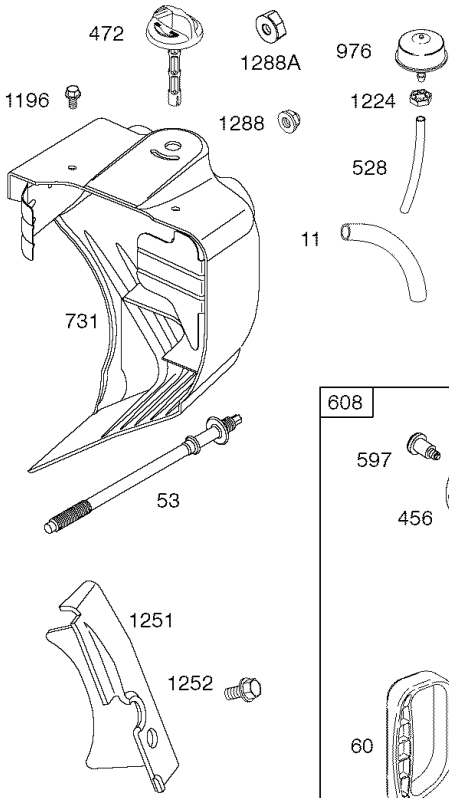


4-CYCLE ENGINE MODEL NUMBER 21A414-0134-E1

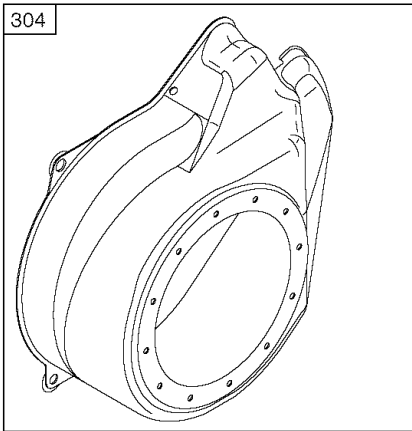
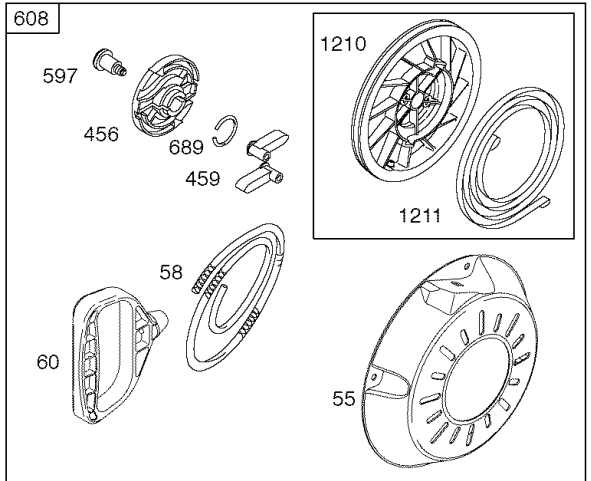
KEY NO.	PART NO.	DESCRIPTION	KEY NO.	PART NO.	DESCRIPTION
5	697233	Head-Cylinder	127	●690727	Plug-W elch
7	★△697690	Gasket-Cylinder Head	130	696139	Valve-Throttle
13	690360	Screw (Cylinder Head)	133	694914	Float-Carburetor
33	499596	Valve-Exhaust	135	696142	Tube-Fuel Transfer
34	697464	Valve-Intake	137	●◆695426	Gasket-Float Bowl
35	694865	Spring-Valve (Intake)	192	690083	Adjuster-Rocker Arm
36	694865	Spring-Valve (Exhaust)	212	695917	Link-Throttle
40	690964	Retainer-V Valve	337	491055	Plug- Spark
42	499586	Keeper-V Valve	362	698041	Shield-Spark Plug
45	690977	Tappet-V Valve	369	695422	Spring-Float Bowl
51★△◆◆694874	694874	Gasket-Intake	383	19374	Wrench-Spark Plug
51A★△◆◆694875	694875	Gasket-Intake	633	●◆690998	Seal-Choke/Throttle Shaft
95	690718	Screw (Throttle Valve)	635	710901	Boot-Spark Pug
97	696387	Shaft-Throttle	798	697890	Screw (Rocker Arm)
98	●695408	Kit-Idle Speed	868	★△690968	Seal-V valve
104	●694918	Pin-Float Hinge	883	★△695398	Gasket-Exhaust
105	●696136	Valve-Float Needle	977	696147	Gasket Set-Carbure- tor
108	696736	Valve-Choke	1022	★△690971	Gasket-Rocker Cover
109	696735	Shaft-Choke	1023	698042	Cover-Rocker Arm
117	●696134	Jet-Main (Standard)	1026	695177	Rod-Push
118	696135	Jet-Main (High Altitude)	1029	690972	Arm-Rocker
121	696146	Kit-Carburetor Overhaul	1100	690973	Pivot-Rocker Arm
122 △◆◆694876	694876	Spacer-Carburetor	1171	696754	Stud (Rocker Cover)
125	696737	Carburetor	1275	696757	Nut (Rocker Cover)
			1298	698111	Nut (Heat Shield)

4-CYCLE ENGINE MODEL NUMBER 21A414-0134-E1

4-CYCLE ENGINE MODEL NUMBER 21A414-0134-E1

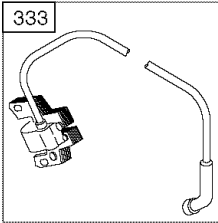
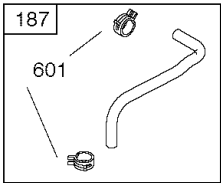
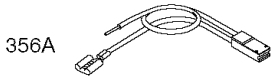
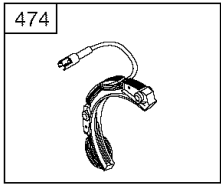
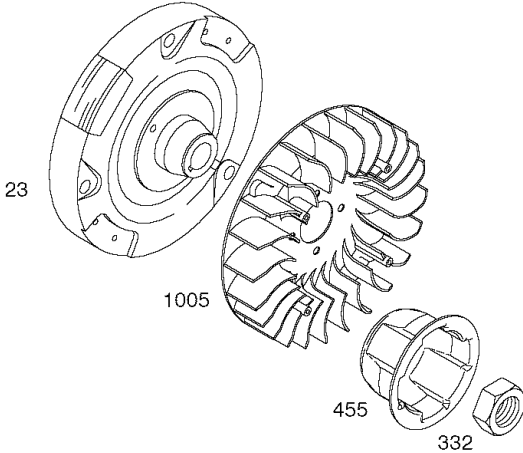
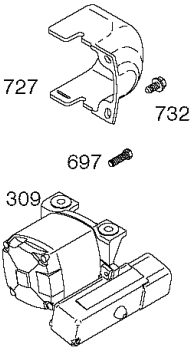
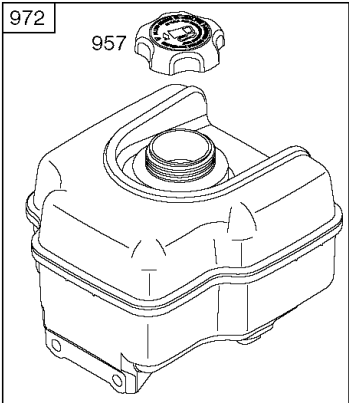


1036 EMISSION LABEL



305

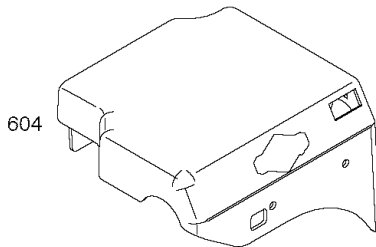
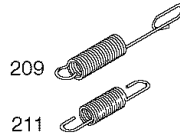
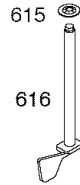
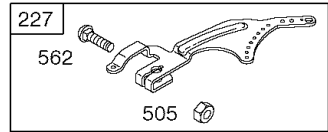
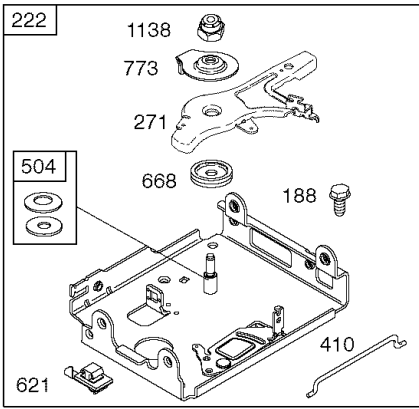
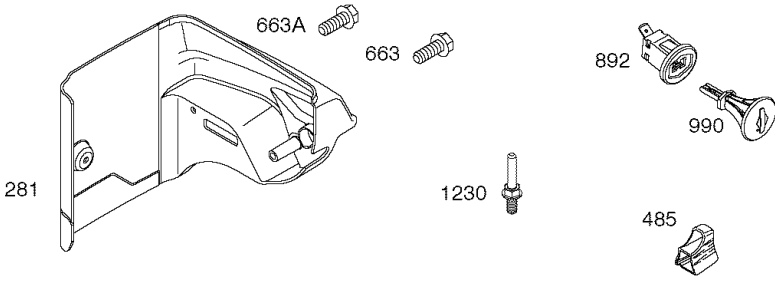
4-CYCLE ENGINE MODEL NUMBER 21A414-0134-E1



4-CYCLE ENGINE MODEL NUMBER 21A414-0134-E1

KEY NO.	PART NO.	DESCRIPTION	KEY NO.	PART NO.	DESCRIPTION
11	696750	Tube-Breather			(Muffler)
23	695485	Flywheel	689	691855	Spring-Friction
53	696753	Stud (Carburetor)	697	698113	Screw (Starter Motor)
55	696710	Housing-Rewind Starter	727	697465	Cover-Starter Drive
58	693389	Rope-Starter (Cut or Required Length)	731	697399	Hood-Snow
60	695740	Grip-Starter Rope	732	691097	Screw (Starter Drive Cover)
65	695453	Screw (Rewind Starter)	883	*Δ695398	Gasket-Exhaust
187	698080	Line-Fuel (Molded)	930	696709	Guard-Rewind
300	696706	Muffler	957	698109	Cap-Fuel
305	690960	Screw (Blower Housing)	972	698110	Tank-Fuel
309	698112	Motor-Starter	976	695750	Primer-Carburetor
332	694685	Nut (Flywheel)	1005	694684	Fan-Flywheel
333	715231	Armature-Magneto	1036	697430	Label-Emission
334	691061	Screw (Magneto Armature)	1070	691058	Screw (Flywheel Fan)
356	696748	Wire-Stop	1119	691183	Screw (Alternator)
356A	696700	Wire-Stop	1196	696692	Screw (Snow Hood)
455	697226	Cup-Flywheel	1210	498144	Pulley/Spring Assembly (Pulley)
456	692299	Plate-Pawl Friction	1211	498144	Pulley/Spring Assembly (Spring)
459	281505	Pawl-Ratchet	1224	696824	Nut (Carburetor Primer)
472	696752	Knob-Choke Shaft	1251	696762	Shield-Snow
474	695730	Alternator	1252	696763	Screw (Snow Shield)
528	696751	Hose-Primer	1288	696757	Nut (Snow Hood)
597	691696	Screw (Pawl Friction Plate)	1288A	698111	Nut (Snow Hood)
601	95162	Clamp-Hose			
608	696711	Starter-Rewind			
613	695312	Screw (Muffler)			
613A	696705	Screw			

4-CYCLE ENGINE MODEL NUMBER 21A414-0134-E1



4-CYCLE ENGINE MODEL NUMBER 21A414-0134-E1

KEY NO.	PART NO.	DESCRIPTION	KEY NO.	PART NO.	DESCRIPTION
188	690877	Screw (Control Bracket)	615	694676	Retainer-Governor Shaft
209	694867	Spring-Governor	616	694675	Crank-Governor
211	695307	Spring-Governor Idle	621	692310	Switch-Stop
222	698034	Bracket-Control			
227	694864	Lever-Governor Control	663	696685	Screw (Trim Panel)
271	698035	Lever-Control	663A	696704	Screw (Trim Panel)
281	698081	Panel-Control			
410	695382	Link-Control	668	694257	Spacer
485	695755	Knob-Control	773	694258	Retainer
504	695383	Washer Set-Friction	892	*Δ696749	Switch-Key
505	691251	Nut (Governor Control Lever)	990	695756	Key Set
			1138	694255	Nut (Control Bracket)
562	691119	Bolt (Governor Control Lever)	1230	696747	Stud (Control Bracket)
604	696758	Cover-Control			

CONTENIDO

PIEZAS DE REPUESTO	41	OPERACIÓN	86
PIEZAS DE REPUESTO - MOTOR	61	MANTENIMIENTO	94
GARANTÍA	74	SERVICIO Y AJUSTES	97
REGLAS DE SEGURIDAD	74	ALMACENAMIENTO	107
SÍMBOLOS INTERNACIONALES	77	TABLA DE LOCALIZACIÓN Y REPARACIÓN DE AVERÍAS	108
ENSAMBLAJE	79	PEDIDO DE PIEZAS/SERVICIO	112

GARANTÍA

GARANTÍA LIMITADA DE DOS AÑOS PARA EL QUITANIEVES CRAFTSMAN

Durante dos años a partir de la fecha de compra, siempre que a este quitanieves Craftsman se le dé mantenimiento, lubricación y afinamiento de acuerdo con las instrucciones de operación y mantenimiento presentadas en el manual del usuario, Sears reparará, sin cargo alguno, cualquier defecto en material y mano de obra.

Si este quitanieves Craftsman es usado con propósitos comerciales o de arrendamiento, esta garantía será válida solamente por 90 días a partir de la fecha de compra.

Esta garantía no cubre lo siguiente:

- Elementos de desgaste normal, tales como bujías, correas de transmisión y pasadores de seguridad.
- Reparaciones necesarias debido al abuso o negligencia del operador, incluyendo varillas dobladas y otras reparaciones necesarias por falta del mantenimiento a la unidad según lo recomendado en las instrucciones contenidas en el manual del propietario.

EL SERVICIO DE GARANTÍA SE PUEDE OBTENER LLEVANDO EL QUITANIEVES AL CENTRO DE SERVICIO SEARS MÁS CERCANO EN LOS ESTADOS UNIDOS. ESTA GARANTÍA ES VÁLIDA SÓLO CUANDO ESTE PRODUCTO ES USADO EN LOS ESTADOS UNIDOS.

Esta garantía le otorga derechos legales específicos, y asimismo es posible que tenga otros derechos los cuales varían de un estado a otro.

Sears, Roebuck and Co., D817WA, Hoffman Estates, IL 60179

REGLAS DE SEGURIDAD



Preste atención a este símbolo, le indica precauciones de seguridad importantes. Significa--¡¡¡ATENCIÓN!!! ¡¡¡ESTE ALERTA!!! Se trata de su seguridad.

ADVERTENCIA

Las emanaciones de escape producidas por este motor y ciertos componentes de esta máquina contienen químicos reconocidos por el Estado de California como carcinógenos, también pueden producir defectos en los recién nacidos o causar otros daños al sistema reproductivo.

Los bornes, terminales y accesorios relacionados con la batería contienen plomo y compuestos del plomo, además de sustancias químicas que el Estado de California reconoce que estos compuestos pueden causar cáncer y defectos como carcinógenas, además estas sustancias pueden producir daños congénitos, a los bebés y además de otros daños al sistema reproductivo humano. **DEBE LAVARSE MUY BIEN LAS MANOS DESPUÉS DE MANIPULAR ESTOS COMPONENTES.**



ADVERTENCIA:

Siempre desconecte el cable de la bujía y colóquelo alejado de ésta para prevenir un arranque accidental durante la preparación mantenimiento o almacenamiento del quitanieves.

IMPORTANTE: Para prevenir lesiones, las normas de seguridad exigen controles en la unidad que sólo puedan ser manejados en presencia del operador. Su quitanieves está equipado con dichos controles. Por ningún motivo intente pasar por alto la función del control en presencia del operador.

CAPACITACIÓN

1. Lea con atención las instrucciones en el manual de operación y servicio. Familiarícese completamente con los controles y el uso apropiado del quitanieves. Aprenda a detener el quitanieves y a desenganchar rápidamente los controles.
2. Nunca permita a niños operar el quitanieves. Nunca permita que adultos operen el quitanieves sin la instrucción apropiada.
3. Mantenga el área libre de personas, especialmente niños pequeños y mascotas.
4. Tenga mucho cuidado para evitar resbalones o caídas, especialmente cuando esté retrocediendo.

PREPARACIÓN

1. Inspeccione completamente el área donde se usará el quitanieves y retire todas las esteras, trineos, tableros, cables, y otros objetos extraños.
2. Desenganche todos los embragues antes de hacer arrancar el motor.
3. No opere el quitanieves sin vestir prendas de invierno adecuadas para trabajar a la intemperie. Vista calzado que le dé buena tracción sobre superficies resbalosas.
4. Maneje el combustible con cuidado; éste es altamente inflamable.
 - (a) Use un contenedor aprobado para combustible.
 - (b) Nunca quite la tapa del tanque de combustible ni añada combustible a un motor en marcha o a un motor caliente.
 - (c) Llene el tanque de combustible al aire libre y con mucho cuidado. Nunca llene el tanque en un recinto cerrado.
 - (d) Vuelva a colocar la tapa del tanque de combustible de manera segura, y limpie el combustible derramado.
 - (e) Nunca almacene combustible o el quitanieves con combustible en el tanque dentro de un edificio donde los vapores pudiesen alcanzar alguna llama abierta o chispas.
 - (f) Verifique que el quitanieves tenga suficiente combustible antes de cada uso, y deje un espacio adicional en el tanque puesto que el calor del motor

y/o del sol hace que el combustible se expanda.

5. Para todos los quitanieves con motores de arranque eléctrico, use cables de extensión con certificación CSA/UL. Use solamente tomacorrientes que hayan sido instalados de acuerdo con los reglamentos de inspección locales.
6. Permita que el motor y el quitanieves se ajusten a las temperaturas exteriores antes de comenzar a despejar la nieve.
7. Siempre use gafas de seguridad o protectores para los ojos durante la operación o mientras efectúa algún ajuste o reparación a la unidad, para proteger sus ojos de objetos extraños que pudiesen ser lanzados por el quitanieves.

OPERACIÓN

1. No opere este quitanieves si está tomando medicinas que puedan causar somnolencia o afectar su habilidad para operar el quitanieves.
2. No use el quitanieves si por motivos emocionales o físicos se le dificulta manejarlo de forma segura.
3. No coloque las manos o los pies cerca o debajo de piezas en movimiento. Manténgase en todo momento a buena distancia de la abertura del tubo de descarga.
4. Tenga mucho cuidado al operar el quitanieves en o a través de entradas de autos, senderos o caminos de grava. Manténgase alerta de peligros ocultos o tráfico.
5. Si golpea un objeto extraño, pare el motor, desconecte el cable de la bujía, inspeccione meticulosamente el quitanieves por si hubiera algún daño, y repárelo antes de arrancar el motor y operar el quitanieves nuevamente.
6. Si el quitanieves comienza a vibrar de manera excesiva, pare el motor y revíselo inmediatamente para encontrar la causa. Generalmente, la vibración es una advertencia de algún problema.
7. Pare el motor cuando deje la posición de operación, antes de desobstruir el alojamiento de la barrena/propulsor o el tubo de descarga, y cuando efectúe cualquier reparación, ajuste o inspección.
8. Cuando limpie, repare o inspeccione el quitanieves, asegúrese de que la barrena/propulsor y todas las partes móviles se encuentren detenidas, y que todos los controles estén desenganchados. Desco-

- necte el cable de la bujía y manténgalo alejado de la bujía para evitar un arranque accidental.
9. Tome todas las precauciones posibles al dejar el quitanieves desatendido. Desenganche la barra/propulsor, pare el motor y retire la llave.
 10. No haga arrancar el motor en recintos cerrados, aún con las puertas y ventanas abiertas. Los vapores de escape son peligrosos (contienen MONÓXIDO DE CARBONO, un GAS INODORO y LETAL).
 11. No use el quitanieves para limpiar áreas de terreno inclinadas (cuestas, pendientes). Tenga mucho cuidado cuando cambie de dirección. No intente limpiar pendientes muy pronunciadas.
 12. Nunca opere el quitanieves sin que los resguardos, placas u otros dispositivos de seguridad se encuentren en su lugar.
 13. Nunca opere el quitanieves cerca de escaparates de vidrio, automóviles, vidrieras, sitios de carga/descarga, y similares, sin el ajuste apropiado del ángulo de descarga de la nieve. Mantenga a los niños y las mascotas alejados del área que está despejando.
 14. No sobrecargue la capacidad del quitanieves al intentar limpiar la nieve a una velocidad demasiado rápida.
 15. Nunca opere el quitanieves a altas velocidades de transporte sobre superficies resbalosas. Mire hacia atrás y tenga cuidado al retroceder.
 16. Nunca descargue directamente hacia espectadores ni permita a nadie frente al quitanieves.
 17. Desenganche la fuerza motriz de la barra/propulsor cuando el quitanieves sea transportado o no esté en uso.
 18. Utilice únicamente aditamentos y accesorios aprobados por el fabricante del quitanieves (tales como cadenas para las ruedas, juegos de arranque eléctrico, etc.).
 19. Nunca opere el quitanieves sin tener buena visibilidad o iluminación. Asegúrese

siempre que tiene buena estabilidad, y sujete con firmeza el mango. Camine; nunca corra.

20. No trate de alcanzar áreas difíciles. Mantenga la estabilidad y el balance en todo momento.
21. No trate de usar el quitanieves para limpiar techos.

MANTENIMIENTO Y ALMACENAMIENTO

1. Revise los pernos con frecuencia para asegurar que estén bien apretados y que el quitanieves esté en condiciones seguras de funcionamiento.
2. Guarde el quitanieves a una distancia de fuentes de ignición o de aparatos domésticos que tengan llamas de encendido, tales como calentadores de agua y estufas, secadoras de ropa, etc. Permita que el motor se enfríe antes de guardar el quitanieves en cualquier recinto.
3. Si va a almacenar el quitanieves por un período prolongado, siempre consulte las instrucciones del manual del operador donde encontrará consejos importantes.
4. Mantenga o reemplace las etiquetas de seguridad e instrucciones, según sea necesario.
5. Mantenga el quitanieves en marcha unos cuantos minutos después de despejar la nieve, para evitar que se congele la barra/propulsor.



ADVERTENCIA: Este quitanieves es para uso en aceras, entradas de auto y otras superficies de terreno planas. Se debe tener cuidado al usar el quitanieves en superficies inclinadas. **NO USE EL QUITANIEVES EN SUPERFICIES SOBRE EL NIVEL DEL SUELO tales como techos de residencias, de garajes, porches u otras estructuras o construcciones similares.**

SÍMBOLOS

IMPORTANTE: Muchos de estos símbolos están colocados en su quitanieves o están impresos en los manuales que vienen con el producto. Antes de operar el quitanieves aprenda y comprenda el objetivo de cada símbolo.

Símbolos de control y operación



Despacio



Rápido



Arranque eléctrico



Arranque de motor



Motor en marcha



Motor apagado



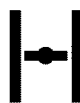
Apagado



Encendido



Ahogador
desactivado



Ahogador
activado



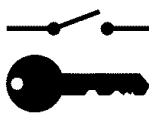
Neutro



Acelerador



Botón cebador



Llave de encendido



Ignición
desactivada



Ignición
activada



Embrague
de propulsión



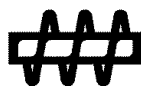
Avance



Marcha atrás



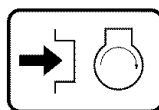
Embrague
de barrena



Colector
de barrena



Enganchar



Oprima para accionar
el arranque eléctrico.



Transmisión

Símbolos de control y operación

Combustible



Aceite



Mezcla de combustible
y aceite



Descarga hacia
ABAJO



Descarga hacia
ARRIBA



Descarga hacia la
IZQUIERDA



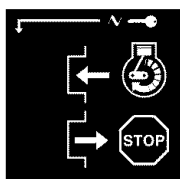
Descarga hacia la
DERECHA



Transferencia de peso
Levante el mango
para enganchar.



Transferencia de peso
Presione el pedal
para desenganchar.

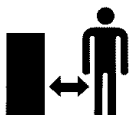


Llave de encendido
Insertar para marcha,
Retirar para parar.

Símbolos de advertencia de seguridad



PELIGRO
Objetos lanzados.
Mantenga alejados a
los transeúntes.



PELIGRO
Objetos lanzados.
Mantenga alejados a
los transeúntes.



ADVERTENCIA



IMPORTANTE
Lea el manual del
propietario antes de
operar esta máquina.



PELIGRO
Evite las lesiones que puede
causar la barrena rotatoria.
Mantenga las manos, los pies y
la ropa fuera de su alcance.



PELIGRO
Pare el motor
antes de desatascar
el tubo de descarga.



ADVERTENCIA
Superficie caliente



PARE

ENSAMBLAJE

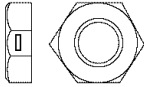
CONTENIDO DE LA BOLSA DE PARTES (TAMAÑO REAL)

- 1 - Manual del Propietario (no se muestra)
- 1 - Paquete de estabilizador de combustible (no se muestra)
- 1 - Tarjeta de garantía (no se muestra)

*Las partes que no necesitan ensamblado se encuentran en la caja de herramientas ubicada en la cubierta de la correa.



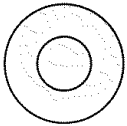
*2 - Pernos de seguridad



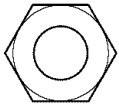
*2 - Tuercas



1 - Empuñadura de la palanca de cambios (no en su tamaño real)



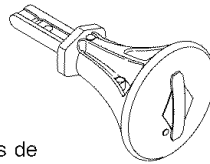
1 - Arandela



1 - Tuercas



1 - Empuñadura de la palanca de ajuste de lanzamiento de nieve (no en su tamaño real)



1 - Llaves de encendido

ENSAMBLAJE



ADVERTENCIA: Siempre use gafas de seguridad o protectores para los ojos mientras ensambla el quitanieves.

HERRAMIENTAS NECESARIAS

- 1 - Cuchillo para cortar la caja
- 2 - Llave de tuercas de 1/2 plg (o llave de tuercas ajustable)
- 2 - Llave de tuercas de 9/16 plg (o llave de tuercas ajustable)
- 2 - Llave de tuercas de 3/4 plg (o llave de tuercas ajustable)
- 1 - Alicata (para abrir las patas del pasador de chaveta)
- 1 - Destornillador
- 1 - Cinta o regla para medir

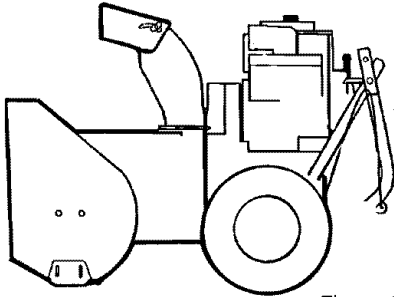


Figura 46

La Figura 46 muestra el quitanieves en posición de envío.

La Figura 47 muestra el quitanieves completamente ensamblado.

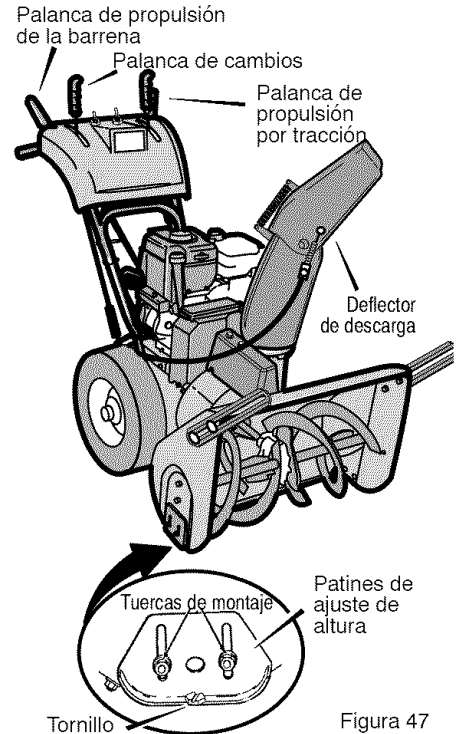


Figura 47

CÓMO SACAR EL QUITANIEVES DE LA CAJA

1. Ubique todas las piezas que vienen empaquetadas por separado y sáquelas de la caja.
NOTA: Coloque el estabilizador de combustible en un lugar seguro hasta que lo necesite para guardar la unidad.
2. Quite y deseche el material de empaque que rodea la unidad.
3. Haga un corte de arriba hacia abajo en cada esquina de la caja y deje los paneles sobre el suelo.

Para propósitos de envío, los **patines de ajuste de altura**, van sujetos a la plataforma de envío. Saque el **tornillo** que sujeta cada **patín** a la plataforma. Vea la Figura 47.

5. Agarre el quitanieves por el mango inferior y jale para sacarlo de la plataforma. **PRECAUCIÓN:** NO retroceda sobre los cables de control.
6. Quite el material de empaque de la unidad.
7. Corte los amarres que sujetan el cable de control del embrague al mango inferior, y colóquelos alejados del bastidor del motor.

ENSAMBLAJE

CÓMO ENSAMBLAR EL MANGO

1. Corte los amarres que sujetan la palanca de cambios al mango inferior y mueva la palanca a la posición neutro.
2. Afloje pero no quite los tornillos, arandelas planas, arandelas de seguridad y tuercas hexagonales que se encuentran en los agujeros superiores del mango inferior. Vea la Figura 48.
3. Retire los sujetadores de los agujeros inferiores del mango inferior. Vea la Figura 48.

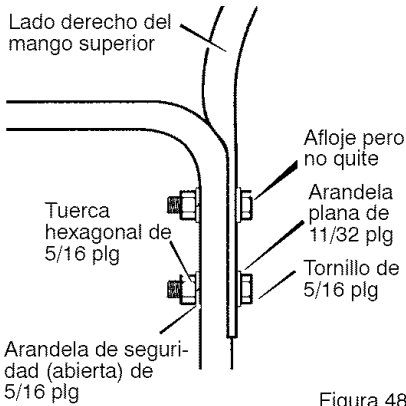


Figura 48

NOTA: Asegúrese de que los cables no queden atrapados entre los mangos superior e inferior.

4. Levante el mango superior a la posición de operación.

NOTA: Si los cables se han desconectado, conéctelos como se muestra en la Figura 49.

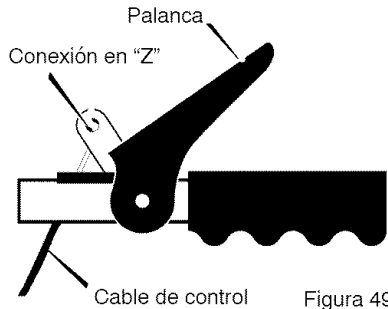


Figura 49

5. Instale los sujetadores que quitó en el paso 3. **NO** los apriete hasta tener todos los pernos en su lugar.
6. Apriete todos los pernos del mango.

ENSAMBLAJE

NOTA: Si los cables se han desconectado, conéctelos como se muestra en la Figura 50.

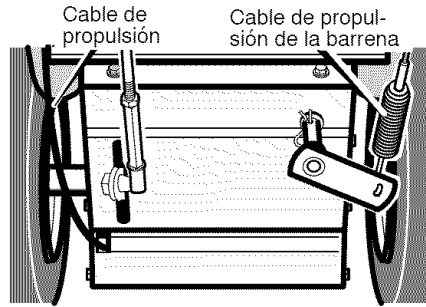


Figura 50

PALANCA DE AJUSTE DE LANZAMIENTO DE NIEVE

1. Monte la **empuñadura de la palanca de lanzamiento de nieve** en la **palanca** hasta que quede apretada contra la **tuerca** (vea la Figura 51).
2. Asegúrese que el **reborde** de la **empuñadura de la palanca de lanzamiento de nieve** quede orientado hacia el motor.
3. Apriete la **tuerca** contra la parte inferior de la **empuñadura de la palanca de lanzamiento de nieve**.

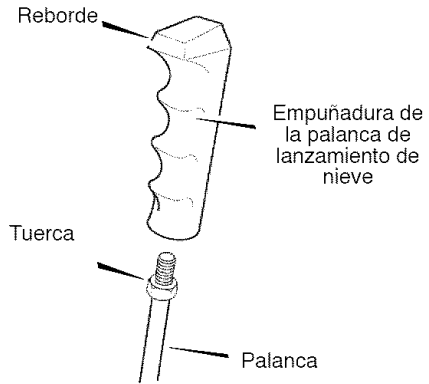


Figura 51

CÓMO INSTALAR LA EMPUÑADURA DE LA PALANCA DE VELOCIDAD

1. Monte la **empuñadura de la palanca de lanzamiento de velocidad** en la **palanca** hasta que quede apretada contra la **tuerca** (vea la Figura 51).
2. Asegúrese que el **reborde** de la **empuñadura de la palanca de velocidad** quede orientado hacia el motor.
3. Apriete la **tuerca** contra la parte inferior de la **empuñadura de la palanca de lanzamiento de velocidad**.

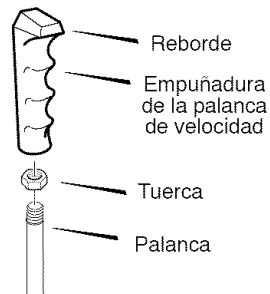


Figura 52

ENSAMBLAJE

CÓMO INSTALAR LA VARILLA DE CONTROL DE VELOCIDAD

1. Coloque la **palanca de velocidad** en la posición NEUTRO.
2. Conecte el **Junta articulada**, ubicada en el extremo inferior de la **varilla de control de velocidad** al **conjunto de horquilla de cambios**. Vea la Figura 54. La fábrica se encarga de conectar los **sujetadores** a la **Junta articulada**.
3. El largo de la **Junta articulada** y de la **varilla de control de velocidad** han sido preajustados en la fábrica. Si es necesario ajustarlo, afloje la **tuerca**. Retire los **sujetadores** para desconectar la **Junta articulada** del **conjunto de horquilla de cambios**. Para alargar o acortar el largo de la **varilla de control de velocidad**, gire el **adaptador** para obtener el largo correcto.
4. Asegúrese de que la **palanca de velocidad** funcione bien. Mueva la **palanca de velocidad** a través de todas las velocidades.

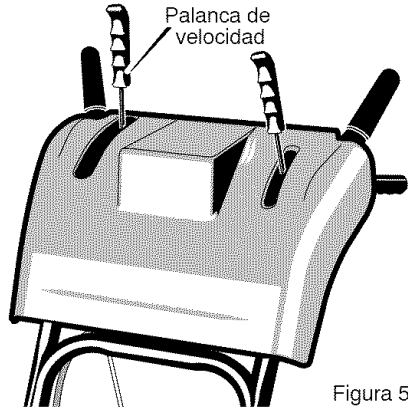


Figura 53

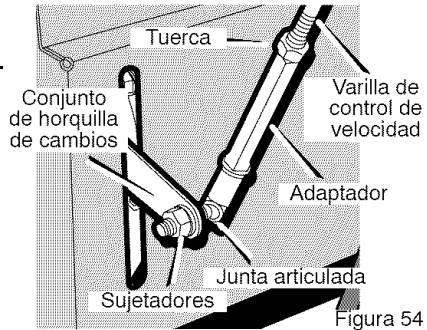


Figura 54

CÓMO ENSAMBLAR EL DEFLECTOR DEL TUBO DE DESCARGA

1. Quite el **perno cabeza de hongo**. Vea la Figura 55.
2. Levante el **deflector del tubo de descarga** a la **posición de operación**.
3. Monte el **deflector del tubo de descarga** en el **reborde** con los **pernos de cabeza de hongo**. Asegúrese de instalar los **pernos de cabeza de hongo** con la cabeza en el parte interior del **reborde**.
4. Sujete con las **arandelas** y las **contratuercas**.
5. Apriete firmemente las **contratuercas**.

NOTA: Compruebe que los pernos de cabeza de hongo en el reborde estén bien apretados. PERO NO LOS APRIETE DEMASIADO.

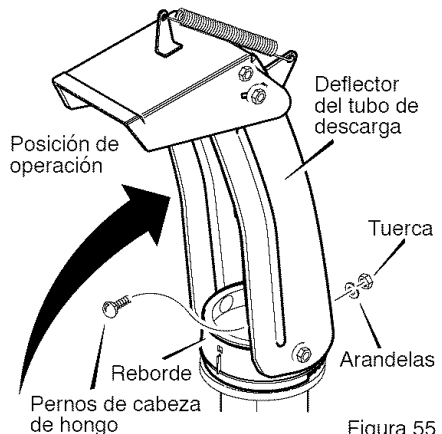


Figura 55

ENSAMBLAJE

FIJACIÓN DE LA ALTURA DE LOS PATINES

El quitanieves tiene **patines de altura ajustable** montados en la parte de atrás del **alojamiento de la barrena**. Para ajustar los patines de altura para diferentes condiciones, consulte “**Ajuste de los patines de altura**”, en la sección de **Servicio y Ajustes**.

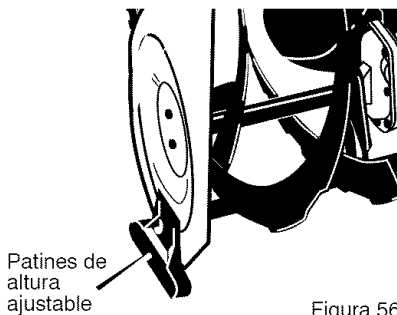


Figura 56

CÓMO AJUSTAR EL LARGO DE LOS CABLES

Puesto que los cables fueron ajustados en la fábrica, no es necesario que usted los ajuste. Sin embargo, una vez que se instalan los mangos en la posición de operación, es posible que los cables queden muy tirantes o muy flojos. Si es necesario ajustarlos, consulte la sección “Cómo revisar y ajustar los cables” que aparece en la sección de Servicios y Ajustes.

ENSAMBLAJE

CÓMO MONTAR LAS BARRAS DE CORTE DE ACUMULACIÓN DE NIEVE

Las barras de corte de acumulación se usan para abrir camino a través de la nieve cuando la acumulación es más alta que el alojamiento de la barrena.

1. Afloje los **sujetadores** que afirman las **barras de corte de acumulación** al alojamiento de la barrena. Vea la Figura 57.
2. Levante las **barras de corte de acumulación** a la altura deseada.
3. Apriete los **sujetadores**.

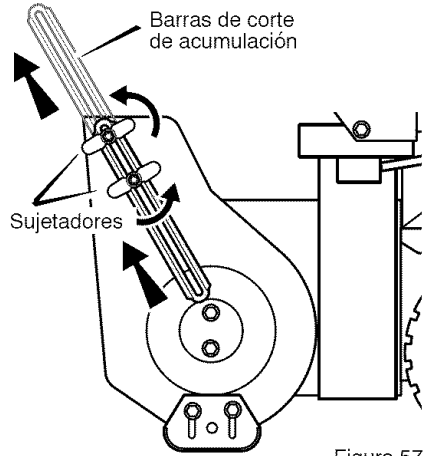


Figura 57

✓ LISTA DE REVISIÓN

Antes de usar su nuevo quitanieves, y para asegurar que obtenga el mejor rendimiento y la mayor satisfacción de este producto de calidad, por favor haga un repaso de la siguiente lista de revisión:

- ✓ Se han completado todas las instrucciones de ensamblado.
- ✓ El tubo de descarga gira libremente.
- ✓ No quedan piezas sueltas en la caja de cartón.
- ✓ En los modelos de arranque eléctrico, la unidad ha sido enviada con el cable del sistema de arranque enchufado al motor. Antes de utilizar la unidad, sírvase desenchufar el cable de arranque del motor.

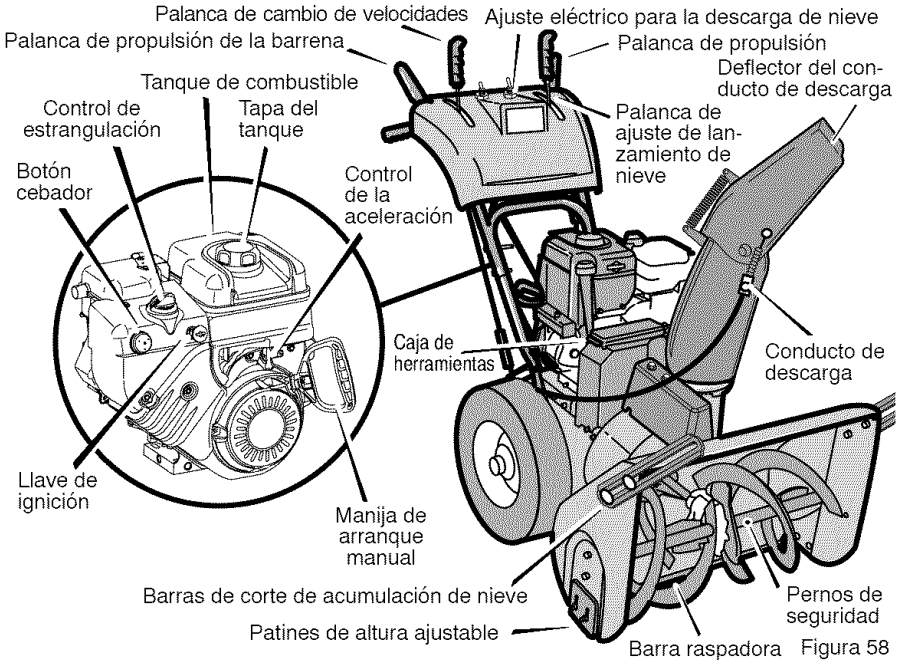
Al mismo tiempo que aprende a usar su quitanieves, preste mucha atención a los detalles siguientes:

- ✓ El aceite del motor está al nivel adecuado. Use un aceite detergente de alta calidad clasificado como "Para servicio SG, SH, SJ, SL o superior".
- ✓ Asegúrese que el tanque de gasolina esté lleno con gasolina limpia, fresca y sin plomo con un octanaje mínimo de 85.
- ✓ Familiarícese con todos los controles, su ubicación y función. Opere los controles antes de hacer arrancar el motor.

OPERACIÓN

CONOZCA SU QUITANIEVES

Lea este manual del propietario y las reglas de seguridad antes de usar su quitanieves. Compare las ilustraciones con su quitanieves para familiarizarse con las posiciones de los diversos controles y ajustes. Guarde este manual para referencia en el futuro.



Palanca de propulsión de la barrena - Avanza y detiene la barrena y el propulsor (**recoge y lanza la nieve**)

Palanca de propulsión de tracción - Impulsa el quitanieves hacia delante o hacia atrás

Palanca de cambio de velocidades - Selecciona la velocidad de avance y de retroceso del quitanieves.

Ajuste eléctrico para la descarga de nieve - Cambia la dirección de lanzamiento de la nieve.

Deflector del conducto de descarga - Cambia la distancia del lanzamiento de la nieve.

Conducto de descarga - Cambia la altura y la dirección del lanzamiento de la nieve.

Patines de altura ajustable - Ajustan la distancia libre entre el terreno y el alojamiento de la barrena.

Llave de ignición - Deberá ser insertada para arrancar el motor.

Manija del arranque manual - Arranca el motor manualmente.

Control de estrangulación - Se usa para arrancar un motor frío.

Botón de cebado - Inyecta el combustible directamente dentro del carburador o distribuidor para un arranque rápido en temperaturas bajas.

Palanca de ajuste de lanzamiento de nieve - Controla la distancia a la que la nieve es lanzada.

Control del acelerador - Controla la velocidad del motor.

Botón de arranque eléctrico - (si la unidad lo tiene) Se usa para arrancar el motor usando el arrancador eléctrico de 120V.

Pernos de seguridad - Pernos diseñados especialmente para romperse (para proteger la máquina) si un objeto se atora en el alojamiento de la barrena.

Caja de herramientas - Contiene pasadores de seguridad y espaciadores de repuesto.

Barras de corte de acumulación de nieve - Abren un camino a través de la nieve cuando la acumulación de la misma es más alta que el alojamiento de la barrena.

OPERACIÓN

La operación de cualquier quitanieves puede ocasionar que objetos extraños sean lanzados hacia los ojos, lo cual podría resultar en lesiones graves. Use siempre gafas de seguridad o protectores para los ojos mientras opere el quitanieves.

Se recomiendan las gafas de seguridad estándar o la máscara de seguridad de visión amplia para usarla sobre los anteojos.



ADVERTENCIA: Lea el Manual del propietario antes de operar la máquina. Nunca dirija la descarga hacia espectadores. Pare el motor antes de desobstruir el conducto de descarga o el alojamiento de la barrena y antes de dejar la máquina.

CÓMO DETENER EL QUITANIEVES

1. Para detener el lanzamiento de nieve, suelte la **palanca de propulsión de la barrena** (vea la Figura 59).
2. Para parar las ruedas, suelte la **palanca de propulsión**.
3. Para parar el motor, empuje la **palanca de control de aceleración** a apagado (off) y saque la **llave de ignición/seguridad**.

PARA CONTROLAR LA DESCARGA DE NIEVE

1. Mueva el ajuste eléctrico para la descarga de nieve para establecer la dirección

de lanzamiento de la nieve (hacia la izquierda o hacia la derecha).

2. Empuje la **palanca de ajuste de lanzamiento de nieve** hacia adelante para lanzar la nieve hacia abajo. Jale la **palanca de ajuste de lanzamiento de nieve** hacia atrás para descargar la nieve a buena altura y lejos.

CÓMO AVANZAR Y RETROCEDER

1. Para avanzar el quitanieves hacia adelante, enganche la **palanca de propulsión de tracción** (en el lado izquierdo). A medida que el quitanieves comienza a moverse hacia adelante, coloque la palanca de cambio de velocidades a la velocidad deseada. Sujete firmemente los mangos y guíe el quitanieves a lo largo del camino a despejar. No intente empujarlo.
2. Para mover el quitanieves en retroceso, mueva la **palanca de cambio de velocidades** a la posición de retroceso.

PARA LANZAR LA NIEVE

1. Empuje la palanca de propulsión de la barrena hacia abajo (lado derecho) (vea la Figura 59).
2. Súeltela para detener el lanzamiento de nieve.

Palanca de propulsión de la barrena

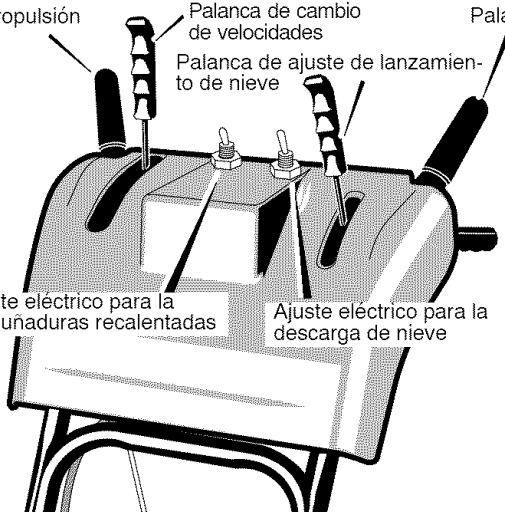
Palanca de cambio de velocidades

Palanca de propulsión

Palanca de ajuste de lanzamiento de nieve

Ajuste eléctrico para la empuñadura recalentada

Ajuste eléctrico para la descarga de nieve



OPERACIÓN

CÓMO USAR EL PASADOR DE ENGANCHE DE LA RUEDA

Las ruedas van aseguradas al eje con un pasador de enganche. Vea la Figura 60. La unidad fue enviada con el pasador de enganche en posición. Para facilitar la maniobra de la unidad, desconecte el pasador de enganche de la manera siguiente.

1. Jale la perilla para desconectar el pasador de enganche.
2. Para fijar en la posición de desenganche, gire la perilla 1/4 de vuelta (90 grados).

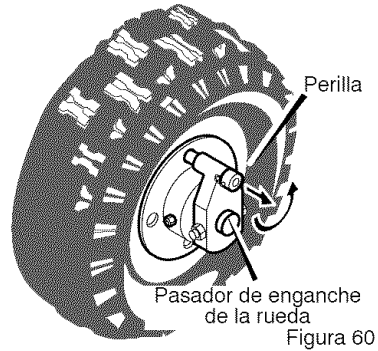


Figura 60

CÓMO USAR LAS EMPUÑADORAS RECALENTADAS



ADVERTENCIA: Las empuñaduras recalentadas sólo se deben usar cuando la temperatura caiga por debajo de los 32 grados. No las active si la temperatura está por encima de los 32 grados.

Cuando la temperatura caiga por debajo de

los 32 grados, use las empuñaduras recalentadas para calentar las manos. Mueva el interruptor de las empuñaduras recalentadas a la posición ON (activada) (vea la Figura 59). El proceso de recalentamiento tardará unos cuantos minutos. Puesto que las empuñaduras se ponen bastante calientes, se recomienda el uso de guantes. Si las empuñaduras se calientan excesivamente, apáguelas.

ANTES DE ENCENDER EL MOTOR

1. Antes de darle servicio o de encender el motor, familiarícese con el quitanieves. Asegúrese de entender la función y la ubicación de todos los controles.
2. Revise la tensión del cable del embrague antes de encender el motor. Consulte el párrafo **Cómo ajustar el cable de control**, en la sección de **Servicio y Ajustes** de este manual
3. Asegúrese de que todos los sujetadores estén apretados.
4. Asegúrese de que los patines de altura ajustable estén ajustados correctamente. Consulte el párrafo **Cómo ajustar la altura de los patines**, en la sección de **Servicio y Ajustes** de este manual.
5. Revise la presión de las ruedas (**14 - 17 libras**). No sobrepase el límite máximo de presión para los neumáticos.

CÓMO REVISAR EL ACEITE:

NOTA: El motor fue enviado de la fábrica con aceite. Revise el nivel de aceite. Añada aceite según sea necesario.

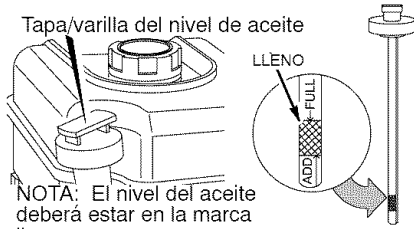
Para añadir aceite

1. Asegúrese de que la unidad se encuentre sobre una superficie nivelada. Use un aceite detergente de alta calidad clasificado de la siguiente forma: "Para Servicio SG, SH, SJ, SL o superior".
2. Quite la tapa/varilla indicadora del nivel de aceite y límpiela con un paño limpio (vea la Figura 61).
3. Inserte la tapa/varilla indicadora del nivel de aceite y gírela hacia la derecha para apretarla.
4. Saque la tapa/varilla indicadora del nivel de aceite y revise el aceite.

NOTA: No revise el nivel de aceite estando el motor en marcha.

5. Si es necesario, añada aceite hasta la línea FULL (lleno) en la tapa/varilla del nivel (vea la Figura 61). No exceda la medida.

OPERACIÓN



NOTA: El nivel del aceite deberá estar en la marca lleno

Figura 61

6. Apriete la tapa/varilla del nivel de aceite en forma segura cada vez que revise el nivel de aceite.

NOTA: Se recomienda el uso de aceite sintético en el motor cuando la temperatura se encuentre por debajo de los 32°F. El aceite sintético 5W30 es aceptable en cualquier temperatura. NO mezcle aceite con gasolina.

TIPO DE COMBUSTIBLE

Este motor ha sido certificado para funcionar con gasolina. Sistema de control de emisiones de escape: EM (Modificaciones al motor)



ADVERTENCIA: Los combustibles mezclados con alcohol (llamados gasohol o aquellos que usan etanol o metanol) pueden atraer humedad la cual conduce a la separación y formación de ácidos durante el almacenamiento. Los gases ácidos pueden dañar el sistema de combustible de un motor mientras se encuentra en almacenamiento.



ADVERTENCIA: La gasolina es inflamable y debe tener mucho cuidado al manipularla o almacenarla.

- Apague el motor y deje que se enfríe por lo menos por dos minutos antes de quitar la tapa del tanque de combustible.
- No llene el tanque de combustible mientras el quitanieves se encuentre en marcha, cuando esté caliente, o cuando el quitanieves se encuentre en un área cerrada.
- Mantenga la unidad alejada de llamas abiertas o chispas eléctricas y no fume mientras llena el tanque de combustible.

NOTA: Para evitar problemas del motor, el sistema de combustible debe vaciarse antes del almacenamiento durante 30 días o mayor. Arranque el motor y déjelo en marcha hasta que las líneas de combustible y el carburador estén vacíos. Use gasolina fresca la siguiente temporada. (vea la "Instrucciones para almacenamiento" para obtener información adicional).

Nunca use productos de limpieza de motor o carburador en el tanque de combustible, de lo contrario podría causar daño permanente.

Llenar el tanque únicamente con gasolina nueva, limpia, regular sin plomo, súper sin plomo, o gasolina automotor reformulada con un octanaje mínimo de 85. **NO** use gasolina con plomo. Asegúrese de que el recipiente que contiene la gasolina a utilizar, esté limpio y sin óxido u otras partículas extrañas. Nunca use gasolina vencida debido a su prolongado almacenamiento.

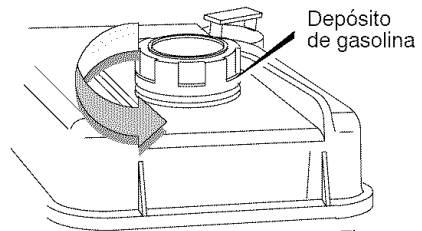


Figura 62

- Nunca llene el tanque completamente, Llene el tanque hasta dejar entre 1- 1/2 pulgada aproximadamente de la boquilla del tanque para proporcionar espacio para la expansión del combustible.
- Siempre llene el tanque al aire libre y use un embudo o boquilla para prevenir derrames.
- Asegúrese de limpiar cualquier combustible derramado antes de arrancar el motor.
- Almacene la gasolina en un contenedor, limpio y aprobado, y mantenga la tapa puesta y segura en el contenedor.

OPERACIÓN

PARA APAGAR EL MOTOR

PRECAUCIÓN: Para parar el motor, no mueva el control de estrangulador a la posición **ESTRANGULAR**. Puede producir **petardeo** o **daño al motor**.

1. Para parar la marcha del motor, mueva la palanca de control de aceleración a la posición "LENTO", luego a la posición "PARAR" (vea la Figura 63).

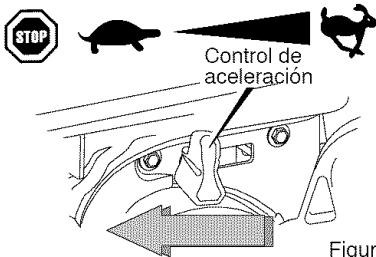


Figura 63

2. Saque la llave de ignición (vea la Figura 64). Guarde la llave en un lugar seguro. El motor no arrancará sin la llave de ignición.

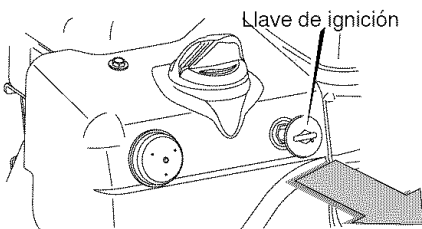


Figura 64

PARA ENCENDER EL MOTOR

Cerciórese de que el nivel de aceite está en la marca **LLENO** de la varilla indicadora. El motor del quitanieves viene con un arrancador eléctrico de 120 voltios CA y con un arrancador manual. Antes de encender el motor, asegúrese de leer toda la información siguiente:

Si el motor se ahoga, coloque el estrangulador en la posición **ABIERTO/EN MARCHA** y arranque el motor hasta que se enciende.

F-041074L



ADVERTENCIA: El rápido retroceso del cordón de arranque manual jalará su mano o brazo hacia el motor mucho más rápido de lo que usted pueda soltar el cordón de arranque manual.

- Cuando haga arrancar el motor, jale lentamente el cordón de arranque manual hasta que sienta resistencia. Entonces, dé el jalón rápido al cordón de arranque manual.
- Asegúrese de que los componentes, tales como los rotores, poleas o ruedas dentadas, estén bien instalados.



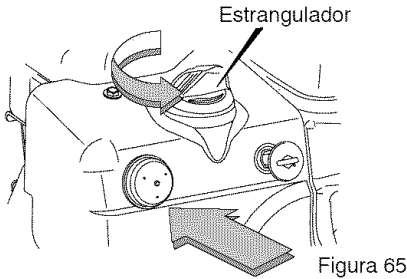
ADVERTENCIA: El motor de arranque está equipado con un cable de alimentación y enchufe de tres patas, diseñados para funcionar con corriente doméstica de 120 voltios CA. El cable de alimentación deberá estar conectado a tierra en todo momento para evitar la posibilidad de una descarga eléctrica que podría lesionar al operador.

- Siga cuidadosamente todas las instrucciones de la sección "Arranque del motor."
- Verifique que el alambrado eléctrico de su casa tenga un sistema de tres hilos conectado a tierra. Si no está seguro de esto, pregúntele a un electricista profesional. Si su casa no cuenta con un sistema de alambrado eléctrico de tres hilos, no use el arrancador eléctrico bajo ninguna circunstancia.
- Si su sistema está conectado a tierra pero no dispone de un tomacorriente de tres contactos, en un punto conveniente para enchufar su arrancador eléctrico, pida a un electricista profesional que le instale uno.
- Para conectar el cable de alimentación de 120 voltios de CA, siempre conecte primero el cable a la caja del tomacorriente del motor, luego enchufe el otro extremo en el tomacorriente de tres contactos conectado a tierra. Al desconectar el cable de alimentación eléctrica, siempre desenchufe primero el extremo en el tomacorriente conectado a tierra.

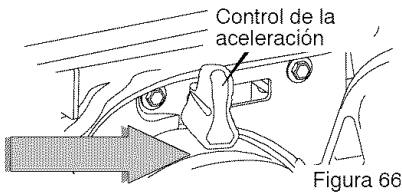
OPERACIÓN

Cómo hacer arrancar el motor en frío

1. Asegúrese de que las palancas de propulsión de la barrena y de la unidad están en la posición desenganche "SUELTA" (RELEASED).
2. Gire la perilla de estrangulación a la posición ESTRANGULAR (vea la Figura 65).
3. Oprima el botón cebador tres veces (vea la Figura 65).



4. Mueva el control de aceleración a la posición RÁPIDO). Opere el motor con el control de aceleración en la posición "RÁPIDO" (vea la Figura 66).



5. Saque ambas llaves de ignición de la bolsa plástica. Inserte una de ellas en la ranura de encendido (vea la Figura 67). Asegúrese de que la llave encaje bien. **No gire la llave de ignición.** Guarde la segunda llave en un lugar seguro.

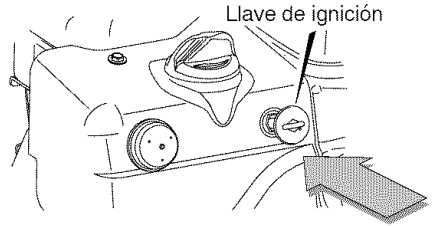
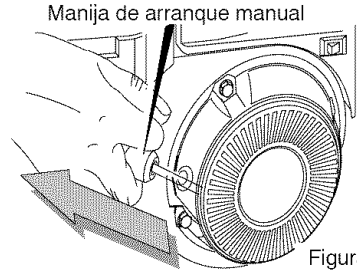
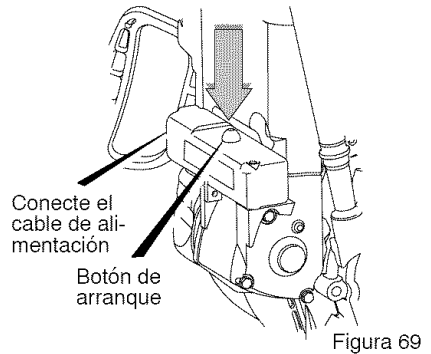


Figura 67

6. **(Arranque manual)** Jale lentamente la manija de arranque manual hasta que sienta resistencia y entonces júlela rápidamente para arrancar el motor (vea la Figura 23). No suelte la manija inmediatamente después de jalarla. Deje que la manija de arranque manual se enrolle lentamente.



7. **(ARRANQUE ELÉCTRICO)** Conecte el cable de alimentación al motor y oprima el botón de arranque. (Figure 24). Para prolongar la vida útil del motor de arranque, no lo presione por más de 5 segundos a la vez. Espere un minuto entre arranques para permitir que el motor de arranque se enfríe.



8. Si el motor no arranca a los 5 ó 6 intentos, lea las instrucciones sobre: Dificul-

OPERACIÓN

tad para arrancar en la "Tabla de solución de averías".

9. Mientras el motor se va calentando, mueva la palanca de ahogador a la posición de "1/2 ahogador". Cuando el motor esté funcionando uniformemente, mueva la palanca del ahogador a la posición de "No ahogador".
10. **(Arranque eléctrico)** Desconecte el cable de alimentación, primero del tomacorrientes y luego del **motor de arranque**.
11. Opere el motor a toda velocidad (RAPIDO) al remover nieve.

Deje que el motor se caliente por algunos minutos antes de soplar nieve, en temperaturas inferiores a - 18°C (0°F).

Motor de arranque congelado

Si el motor de arranque está congelado y no enciende el motor, siga los pasos siguientes.

1. Jale tanta cuerda del motor de arranque como sea posible.
2. Suelte la manija de arranque manual y déjela enrollarse con fuerza contra el motor de arranque. Repita hasta que logre encender el motor.

Cuando hace frío, un motor caliente producirá condensación. Para ayudar a evitar que se congelen el arranque manual y los controles del motor, proceda de la manera siguiente después de cada trabajo de remoción de nieve.

1. Deje que el motor (apagado) se enfríe unos cuantos minutos.
2. Jale lentamente el cordón (cuerda) de arranque hasta que sienta resistencia, luego deje de jalar. Permita que el cordón vuelva a enrollarse. Repita tres veces.
3. Con el motor apagado, limpie toda la nieve y humedad de la cubierta del carburador en la zona de los controles y las palancas. Asimismo, mueva la palanca del estrangulador/ahogador y la manija de arranque varias veces.

IMPORTANTE: Siempre después de usar el quitanieves, apague el motor, saque la llave de ignición/seguridad, quite toda la nieve acumulada y limpie bien la unidad.

F-041074L

Si el motor aún no arranca después de haber seguido las instrucciones anteriores, llévelo a un Centro de servicio autorizado Sears.

NOTA: No pierda la llave de ignición/seguridad. Guárdela en un lugar seguro. El motor no arranca sin la llave de ignición/seguridad.

ARRANQUE EN CALIENTE

Si está arrancando un motor caliente después de un apagón corto, deje el estrangulador en "APAGADO" (OFF) y no pulse el botón cebo.

Almacene el quitanieves en un lugar protegido.



ADVERTENCIA: Nunca arranque el motor dentro de un recinto cerrado o en áreas con poca ventilación. Los gases de escape del motor contienen MONÓXIDO DE CARBONO, UN GAS INODORO Y MORTAL. Mantenga las manos, los pies, el pelo y la ropa suelta alejados de las partes en movimiento tanto del motor como del quitanieves.

- Las partes del motor, particularmente el silenciador, se ponen muy calientes. El contacto puede producir quemaduras severas debido al calor. Deje que el motor se enfríe antes de tocarlo.
- Los niños nunca deben operar el quitanieves. Los adultos no capacitados nunca deben operar el quitanieves.
- Asegúrese de que en el área a despejar no haya personas, especialmente niños pequeños y mascotas.
- No deje nunca el quitanieves desatendido mientras el motor está encendido. Las personas que operen el motor o equipo deben haber leído detenidamente y entendido las instrucciones de operación.

OPERACIÓN

CÓMO RETIRAR OBJETOS ATASCADOS DE LA BARRENA



ADVERTENCIA: No intente quitar ningún objeto que se haya atorado en la barrena con las manos. Use el palo provisto para quitar a nieve y la basura.

En la parte superior del alojamiento de la barrena se encuentra un palo para limpiar la unidad. Úselo para quitar la nieve del alojamiento.

- Suelte la palanca de propulsión de la barrena.
- Mueva la palanca de control de aceleración a la posición "parar".
- Retire (sin girar) la llave de ignición/seguridad.
- Desconecte el cable de la bujía.
- No coloque las manos en la barrena o canal de descarga. Use una barra de apalancamiento para sacar el objeto atascado.

RECOMENDACIONES SOBRE EL LANZAMIENTO DE NIEVE

1. Para mayor eficiencia de lanzamiento de nieve durante la remoción de la misma, ajuste la velocidad en el terreno, NUNCA la aceleración. Avance lentamente en nieve profunda, congelada, o húmeda. Si patinan las ruedas, reduzca la velocidad de avance. El motor está diseñado para brindar un rendimiento máximo bajo aceleración total y debe ser operado en este valor de potencia en todo momento.
2. El lanzamiento de nieve es más eficiente si la remoción de la misma se efectúa inmediatamente después de su caída.
3. Para una remoción completa de la nieve, traslape ligeramente cada camino adoptado previamente. En nieve profunda, superponga los barridos entre sí para evitar sobrecargar la máquina.
4. La nieve debería ser descargada en la dirección del viento siempre que sea posible.
5. Para uso normal, posicione los patines de altura ajustable de manera tal que la barra raspadora se encuentre 1/8 de pulgada sobre los patines. Para superficies de nieve sumamente compacta, ajuste los patines hacia arriba de manera que la barra raspadora haga contacto con el terreno.
6. En superficies de grava o roca triturada, posicione los patines a 1-1/4 pulgadas por debajo de la barra raspadora (Vea el párrafo "Cómo ajustar la altura de las correderas de apoyo" en la página 55). Las rocas y grava no deberán ser recogidas y lanzadas por la máquina.
7. Después de que se haya completado el lanzamiento de nieve, permita que el motor se encuentre en reposo por unos cuantos minutos, lo cual derretirá la nieve y hielo acumulado del motor.
8. Efectúe una limpieza completa de el quitanieves luego de cada uso.
9. Remueva la acumulación de hielo y nieve y todo material extraño heterogéneo de el quitanieves en su totalidad, y lave con agua (si fuese posible) para remover toda sal u otras sustancias químicas. Seque el quitanieves.
10. Antes de encender el quitanieves, inspeccione siempre las barrenas y los impulsores para asegurarse de que no haya acumulado hielo o basura lo cual podría dañar la unidad.
11. Compruebe siempre el nivel de aceite antes de encender el quitanieves. El nivel de aceite debe estar en la marca LLENO en la varilla indicadora de nivel.

MANTENIMIENTO

RESPONSABILIDADES DEL PROPIETARIO

REGISTROS DE SERVICIO Anotar las fechas en que se hace mantenimiento regular	Antes de cada uso	A menudo	Cada 8 horas	Cada 25 horas	Cada 50 horas	Cada 100 horas	Cada estación	Antes de guardarlo
Correa de propulsión de la barrena *				√				
Lubricación de la barrena			√					
Revisar el nivel de aceite del motor	√		√					
Cambiar el aceite del motor					√			
Apretar todos los tornillos y tuercas	√	√						
Revisar la bujía				√				
Reemplazar la bujía						√		
Limpiar y examinar el parachispas					√			
Lubricar el borde del control de descarga								√
Revisar el combustible	√							
Revisar el ajuste del cable de control de la barrena				√				
Ajustar la correa de propulsión †			√ †	√ †			√	

* Ajustar después de 2 a 4 horas de uso.

† Ajustar después de las primeras 10 horas de operación; posteriormente, ajustar cada 25 horas de operación.

RECOMENDACIONES GENERALES

La garantía de este quitanieves no cubre piezas que hayan sido sometidas a abuso o negligencia por parte del operador. Para recibir el valor completo de la garantía, el operador debe mantener el quitanieves de acuerdo a las instrucciones contenidas en este manual.

Se deben hacer algunos ajustes periódicamente para mantener adecuadamente su quitanieves.

Maintenance, replacement, or repair of the emission control devices and systems can be performed by any non-road engine repair establishment or individual. Regular maintenance will improve the performance and extend the life of the engine.

DESPUÉS DE CADA USO

- Haga funcionar la unidad para que salga toda la nieve acumulada en la barrena.
- Para evitar el congelamiento de la barrena o de los controles, limpie toda la nieve y el hielo del quitanieves.
- Ve a si hay piezas sueltas o dañadas.
- Apriete los sujetadores que estén sueltos.
- Revise y dele mantenimiento a la barrena.
- Revise los controles para asegurarse de que funcionan adecuadamente.
- Para evitar el congelamiento de la barrena o de los controles, limpie toda la nieve y el hielo del quitanieves.

MANTENIMIENTO

ESPECIFICACIONES

CABALLOS DE FUERZA	13 HP
CILINDRADA	20.85 cu. in.
CALIBRE	83.82mm (3.300 pulg.)
CARRERA	61.67mm (2,438 pulg.)
CAPACIDAD DE GASOLINA	4 cuartos (sin plomo)
CAPACIDAD DE ACEITE	28 onzas, 5W30
BUJÍA:	Entrehierro 0,030plg.
JUEGODE VÁLVULA:	Entrada: 0,004-0,006 plg. Escape: 0,009-0,011 plg.
ENTREHIERRO DEL INDUCIDO:	0,010-0,014 pulg.

CLASIFICACIÓN DE POTENCIA

La clasificación de potencia para un modelo de motor en particular se desarrolla inicialmente comenzando con el código J1940 de SAE (Sociedad de Ingenieros Automotrices) (Procedimiento de Clasificación

de Potencia & Torque del Motor Pequeño) (Revisión 2002-05). Dado ambos un amplio conjunto de productos en los cuales son puestos nuestros motores, y la variedad de emisiones ambientales aplicables al operar el equipo, puede que el motor que usted haya comprado no desarrolle la potencia nominal cuando sea usado en una parte del equipo acoplado (potencia real "en el-sitio"). Esta diferencia se debe a una variedad de factores incluyendo, pero no limitándose a, lo siguiente: diferencias en altitud, temperatura, presión barométrica, humedad, combustible, lubricación del motor, máxima velocidad regulada del motor, el motor particular a la variabilidad del motor, diseño de la parte en particular del equipo acoplado, la manera en la cual es operado el motor, el despegue del motor para reducir la fricción y para limpiar las cámaras de combustión, los ajustes a las válvulas y al carburador, y otra variedad de factores. Esta clasificación de potencia puede también ser ajustada basándose en comparaciones a otros motores semejantes utilizados en aplicaciones similares, y por lo tanto no se igualarán necesariamente los valores derivados usando los códigos anteriores.

QUITANIEVES

CORREA DE PROPULSIÓN DE LA BARRENA

Ajuste la correa de propulsión de la barrena después de las primeras 2 ó 4 horas, y nuevamente a mitad de la temporada, y dos veces cada temporada posteriormente, (Consulte "Cómo ajustar las correas" en la sección de Servicio y Ajustes).

LUBRICACIÓN DEL EJE DE LA BARRENA - CADA 10 HORAS

1. Lubrique los **accesorios Zerk (A)** cada diez horas con una pistola engrasadora.
2. Cada vez que cambie un perno de seguridad, engrase también el eje de la barrena. Vea la Figura 70. Consulte "**Cómo reemplazar los pernos de seguridad de la barrena**" en la sección de **Servicio y Ajustes**.

F-041074L

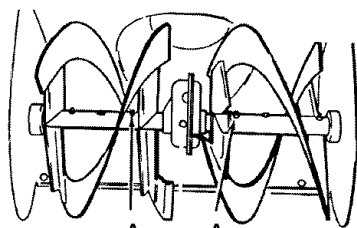


Figura 70

CAJA DE ENGRANAJES DE LA BARRENA

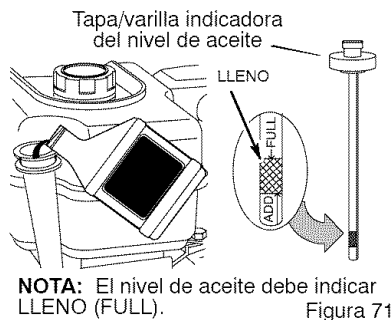
La caja de engranajes de la barrena se lubrica en la fábrica y no requiere lubricación. Si por alguna razón el lubricante se escapa, haga revisar esta caja de engranajes en un centro de servicio autorizado.

MANTENIMIENTO

MOTOR

LUBRICACIÓN

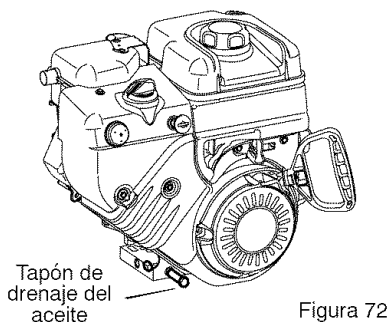
Revise el nivel de aceite en el cárter del motor antes de encenderlo y después de cada ocho (8) horas de uso continuo. (Figura 71). Agregue aceite de motor S.A.E. 5W30 a medida que sea necesario. El aceite sintético 5W30 es aceptable para cualquier temperatura. Apriete la tapa/varilla indicadora en forma segura cada vez que revise el nivel del aceite.



CAMBIO DE ACEITE

Cambie el aceite cada cincuenta (50) horas de uso, o por lo menos una vez al año si el quitanieves no se usa por cincuenta (50) horas.

1. Coloque el quitanieves de manera tal que el **tapón de drenaje del aceite** quede en el punto más bajo del motor.
2. Una vez que el motor está caliente, quite el tapón de drenaje del aceite y la **tapa/varilla indicadora del nivel de aceite** (Figura 71 y Figura 72). Drene el aceite en un recipiente apropiado.
3. Una vez que haya sacado todo el aceite, coloque nuevamente el tapón de drenaje en su lugar y apriételo para que quede seguro.
4. Llene lentamente el cárter del motor con aceite recomendado. **NO LO LLENE DEMASIADO.** Consulte "Para añadir aceite" en la sección de Operación.



BUJÍA

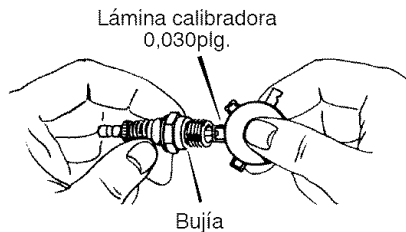
Revise la **bujía** cada veinticinco (25) horas. Reemplácela si los electrodos están picados o quemados, si la porcelana está rajada, o cada 100 horas de uso.

Para sacar la bujía, es necesario retirar la cubierta protectora de la unidad. Consulte "Cómo desmontar la cubierta protectora" en la sección de **Servicio y Ajustes**.

1. Asegúrese de que la **bujía** esté limpia. Límpiela raspando con mucho cuidado los electrodos (**no use chorro de arena ni cepillo de alambres**).
2. Revise el **entrehierro de la bujía** usando una **lámina calibradora** y restablezca el entrehierro a 0,030 plg. si fuera necesari-

rio. Vea la Figura 73.

3. Antes de instalar la **bujía**, cubra la rosca con un poco de aceite para que sea más fácil sacarla, si fuera necesario. Apriete la bujía a un par de apriete de 15 pie-libra.



SERVICIO Y AJUSTES

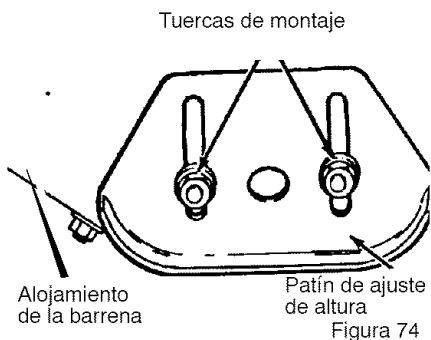


ADVERTENCIA: Para prevenir el arranque accidental del motor, siempre desconecte el cable de la bujía y manténgalo alejado de ésta mientras realiza ajustes o reparaciones a la unidad.

CÓMO AJUSTAR LOS PATINES DE ALTURA

Este quitanieves está equipado con dos patines de ajuste de altura, ubicados en el lado exterior del alojamiento de la barra. Vea la Figura 74.

Estos patines de ajuste de altura elevan la parte delantera del quitanieves.



Para superficies duras normales, tales como entradas de auto o senderos pavimentados ajuste los patines de ajuste de altura de la de la siguiente manera:

1. Ponga el quitanieves en una superficie nivelada.
2. Compruebe que ambos neumáticos tengan la misma presión de aire. La presión de aire correcta es 14 a 17 PSI. No exceda la presión máxima indicada en la cara lateral del neumático.
3. Coloque los pernos de seguridad adicionales que vienen con la unidad debajo de cada extremo de la barra raspadora junto a los patines de ajuste de altura.

4. Afloje las tuercas de montaje que sujetan los patines de ajuste de altura. Para bajar la parte delantera del quitanieves, suba los patines. Apriete las tuercas de montaje. Vea la Figura 74.

NOTA: Para las superficies pedregosas o irregulares, suba la parte delantera del quitanieves bajando los patines de ajuste..



ADVERTENCIA: Asegúrese de mantener la altura necesaria sobre el suelo del área que se va a limpiar. Si el impulsor golpea objetos tales como grava, piedras u otros desechos, los puede lanzar con suficiente fuerza como para causar lesiones personales, daños a la propiedad o daños al quitanieves.

AJUSTE DE LA BARRA RASPADORA

Después de mucho uso, la barra raspadora metálica se gastará. La barra raspadora y los patines, siempre deben ajustarse de manera que quede un espacio de 1/8 plg. entre la barra raspadora y la acera o el área que se va a despejar.

1. Ponga el quitanieves en una superficie nivelada.
2. Compruebe que ambos neumáticos tienen la misma presión de aire. La presión correcta es de 14 a 17 PSI. No exceda la presión máxima indicada en la cara lateral del neumático.
3. Afloje las tuercas y pernos de coche que sujetan la barra raspadora al alojamiento de la barra.
4. Ajuste la barra raspadora a la posición correcta.
5. Apriete las tuercas y pernos de coche. . Asegure que la barra raspadora quede paralela con la acera o el área que se va a despejar.
6. Para que la barra raspadora dure más tiempo, quítela y móntela al revés. Si debe reemplazarla debido al desgaste, quite las tuercas y los pernos de coche e instale una barra raspadora nueva.

SERVICIO Y AJUSTES

CÓMO DESMONTAR LA CUBIERTA PROTECTORA

Para acceder a la bujía es necesario quitar la cubierta protectora:

1. Quite el estrangulador (vea la Figura 75).
2. Saque la llave de ignición.
3. Quite los cuatro tornillos de montaje.
4. Retire cuidadosamente la cubierta protectora (vea la Figura 76). Asegúrese de que la manguera del botón cebador y el cable de ignición permanezcan conectados.
5. Para instalar la cubierta protectora, asegúrese de que la manguera del botón cebador y el cable de ignición estén conectados.
6. Monte la cubierta protectora en el motor y fíjela con los cuatro tornillos de montaje (vea la Figura 77).
7. Alinee la lengüeta del estrangulador con la ranura de la cubierta protectora (vea la Figura 78).
8. Conecte el estrangulador a la varilla del estrangulador. Asegúrese de que el estrangulador esté instalado correctamente. Si no lo es, el estrangulador no funcionará.

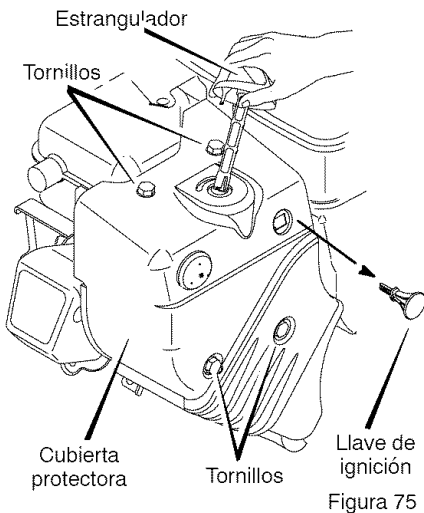
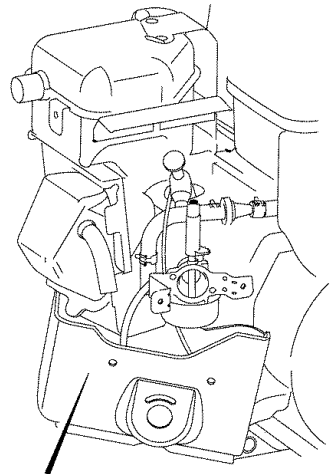
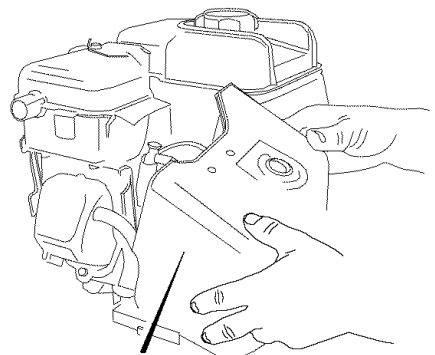


Figura 75



Cubieta protectora

Figura 76



Cubieta protectora

Figura 77

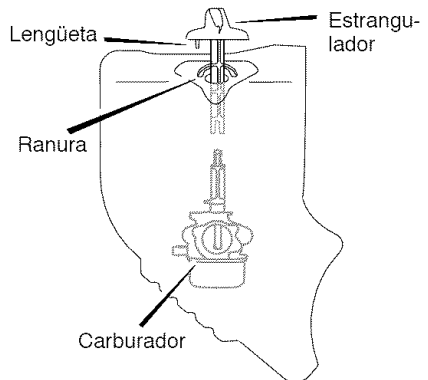


Figura 78

AJUSTE DE LAS CORREAS

Correa de propulsión

Después de aproximadamente diez horas de operación, una correa nueva se estirará (aflojará), por lo que será necesario ajustar la tensión de la misma.

Además, si nota una falta de potencia de su quitanieves durante trabajos pesados, examine la correa de propulsión. Si se encuentra dañada o aflojada, reemplácela (consulte "Cómo reemplazar las correas" en esta sección del Manual).

1. Desconecte el cable de la bujía.
2. Desconecte los pasadores de enganche de ambas ruedas. Consulte "Cómo usar el pasador de enganche de la rueda" en la sección de Operación.
3. Quite el **ornillo** de la **cubierta de la correa**. Quite la **cubierta de la correa** (Figure 79).

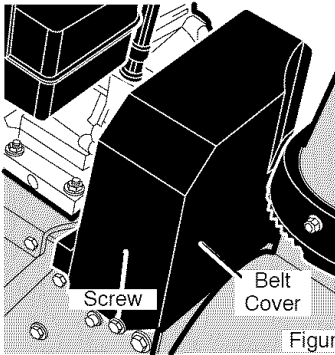


Figure 79

4. Afloje la tuerca de la polea guía y mueva esta última hacia la correa un octavo de pulgada aproximadamente (3 mm) (Figure 85).
5. Apriete la tuerca.
6. Pida a alguien que ponga el embrague de propulsión. Compruebe la tensión de la correa (al lado contrario de la polea guía). La correa debería ceder media pulgada (12,5 mm) con presión moderada (Figure 80). Puede que tenga que mover la polea guía más de una vez para conseguir la tensión correcta.



ADVERTENCIA: NO apriete excesivamente la correa. Si está demasiado apretada la unidad no se detendrá. Antes de usar la unidad, compruebe la tensión de la correa según las instrucciones del paso 8.

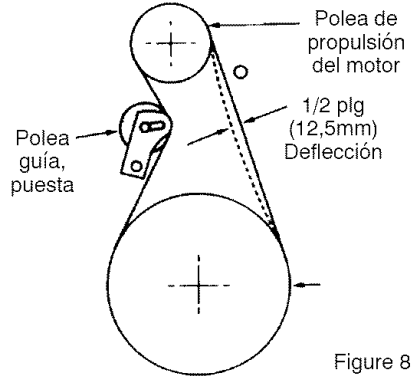


Figure 80

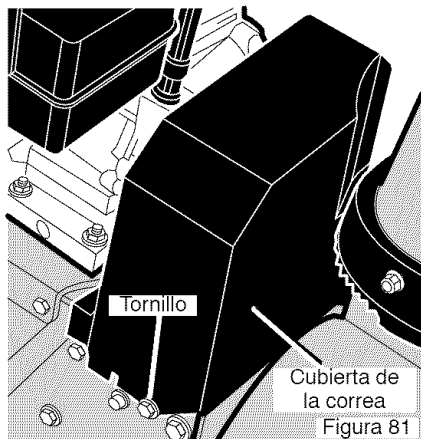
7. Vuelva a poner la cubierta de la correa.
8. Vuelva a conectar el cable de la bujía. Antes de operar la unidad, compruebe la tensión de la correa:
 - a. Desconecte los pasadores de enganche de ambas ruedas. Consulte "Cómo usar el pasador de enganche de la rueda" en la sección de Operación.
 - b. Coloque la palanca de cambios en la posición NEUTRO.
 - c. NO enganche la palanca de propulsión de la unidad.
 - d. Arranque el motor.
 - e. Mueva lentamente la palanca de cambios hacia adelante. Observe los ejes. Si giran, la correa de propulsión está demasiado apretada.
 - f. Si la correa está demasiado apretada, ajústela de nuevo. Después de cada ajuste (y antes de operar la unidad) compruebe la tensión de la correa.
9. Cuando se haya efectuado un ajuste correcto, el quitanieves no perderá potencia durante trabajos pesados y éste se detendrá al soltar la palanca de propulsión.

SERVICIO Y AJUSTES

Correa de propulsión de la barrena

Si el quitanieves no expulsa la nieve, compruebe el ajuste del cable. Si es correcto, compruebe que la correa de propulsión de la barrena esté en buen estado. Si está estropeada o suelta, reemplácela (consulte “Cómo desmontar la correa de propulsión de la barrena” en esta misma sección del manual).

1. Desconecte el cable de la bujía.
2. Quite el **tornillo** de la **cubierta de la correa**. Quite la **cubierta de la correa** (Figura 81).



3. Afloje la tuerca de la polea guía de la barrena y mueva esta última hacia la correa un octavo de pulgada aproximadamente (3 mm) (Figura 85).
4. Apriete la tuerca.
5. Pida a alguien que ponga el embrague de la barrena. Compruebe la tensión de la correa (al lado contrario de la polea guía). La correa debería ceder media pulgada (12,5 mm) con presión moderada (Figura 82). Puede que tenga que mover la polea guía más de una vez para conseguir la tensión correcta.

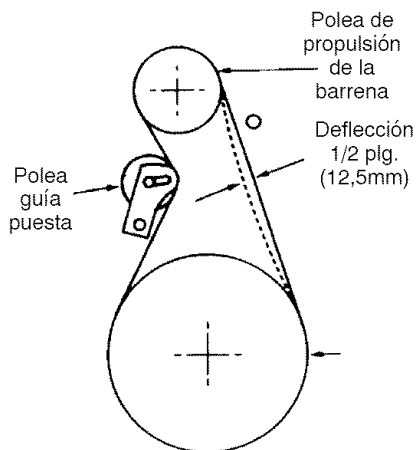


Figura 82

6. Vuelva a poner la cubierta de la correa.
7. Siempre que ajuste o reemplace las correas, también hará falta ajustar los cables. (Consulte “Cómo ajustar los cables” en esta misma sección del manual).
8. Conecte el cable de las bujías.

CÓMO REEMPLAZAR LAS CORREAS

Las correas de propulsión son especiales y se deben reemplazar con correas originales del fabricante que podrá encontrar en su tienda Sears más cercana.

Para completar algunos de estos procedimientos necesitará la ayuda de otra persona.

SERVICIO Y AJUSTES

Cómo desmontar la correa de propulsión de la barrena

Si la correa de propulsión está estropeada, el quitanieves no expulsará la nieve. Reemplace la correa de la siguiente manera.

1. Desconecte el cable de la bujía.
2. Afloje los **pernos** a cada lado del **panel inferior** (Figura 83).
3. Quite el **panel inferior**.

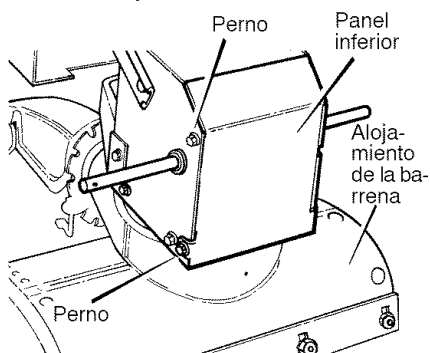


Figura 83

4. Quite el **tornillo de la cubierta de la correa**. Quite la **cubierta** (Figura 81).
5. Afloje la **guía de la correa de la barrena**. Separe la **guía** de la **polea de propulsión de la barrena** (Figura 85).
6. Aleje la **polea tensora de la correa del propulsor de la barrena** y deslice la **correa del propulsor de la barrena** para sacarla de la **polea tensora**.
7. Saque la **correa del propulsor de la barrena** de la **polea del motor**. Para sacar la **correa del propulsor de la barrena**, tal vez haya que girar parcialmente la **polea del motor**.
8. Retire los cuatro **pernos superiores** que unen el **alojamiento de la barrena** y la **caja del motor**. Afloje los dos **pernos inferiores**. Ahora el **alojamiento de la barrena** y la **caja del motor** pueden separarse para retirar la correa (Figura 84).

9. Quite la antigua **correa del propulsor de la barrena** de la **polea del propulsor de la barrena**. Cambie la **correa del propulsor de la barrena** por una correa de repuesto original de fábrica disponible en un centro de servicio autorizado (Figura 85).

10. Instale la nueva **correa del propulsor de la barrena** en la **polea del propulsor de la barrena**.

NOTA: Para montar el alojamiento de la barrena a la caja del motor, consiga que otra persona sujete la palanca de embrague de la barrena en la posición **ENGANCHADO**. Esto moverá el brazo y la polea tensora lo suficiente para permitir que la polea del propulsor de la barrena vuelva a su posición.

11. Monte el **alojamiento de barrena** a la **caja del motor** con los cuatro **pernos** que se retiraron en el paso 8. Apriete los dos **pernos inferiores**.
12. Instale la **correa del propulsor de la barrena** en la **polea del motor**.
13. Deslice la **correa del propulsor de la barrena** por debajo de la **polea tensora**.
14. Ajuste la **correa de propulsión de la barrena**. Consulte "Cómo ajustar la correa de propulsión de la barrena" en la sección de Servicio y Ajustes.
15. Ajuste la **guía de la polea de la correa**. Consulte "Cómo ajustar la guía de la correa" en la sección de Servicio y Ajustes.
16. Instale la **cubierta de la correa**. Apriete el **tornillo** (Figura 81).
17. Revise los cables. Consulte "Cómo revisar y ajustar los cables" en la sección de Servicio y Ajustes.
18. Instale el **panel inferior** (Figura 83).
19. Apriete los **pernos** a cada lado del **panel inferior**.
20. Conecte el cable de la bujía.

SERVICIO Y AJUSTES

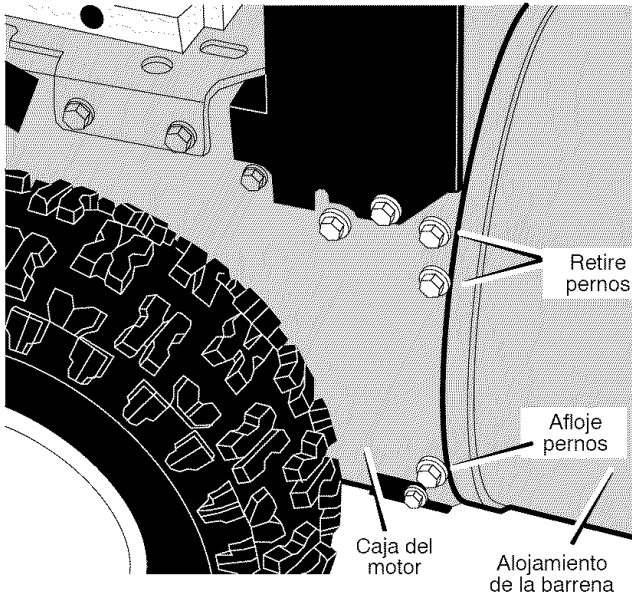


Figura 84

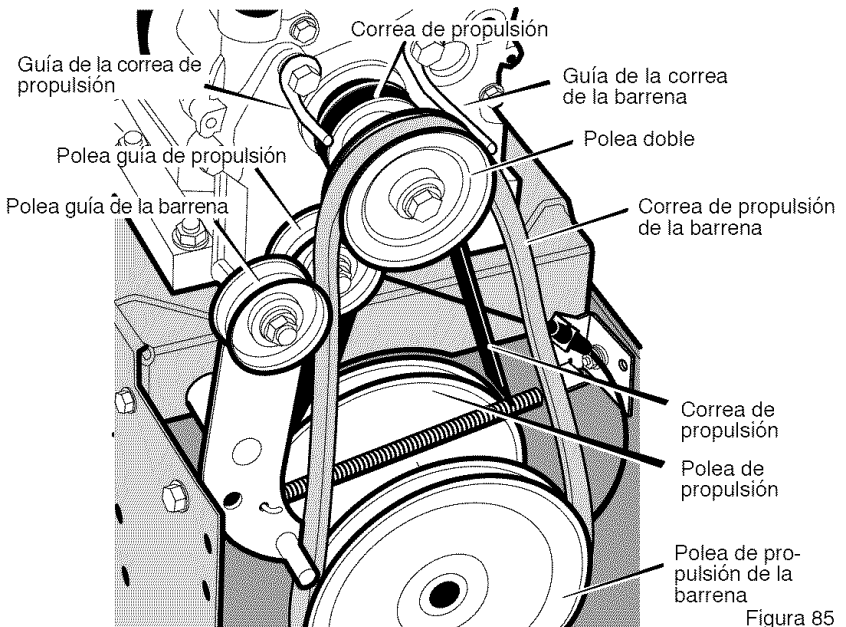


Figura 85

SERVICIO Y AJUSTES

Cómo desmontar la correa de propulsión

Si el quitanieves no se mueve hacia adelante, asegúrese de que la correa de propulsión no esté excesivamente desgastada o dañada. Si lo está, reemplácela de la siguiente manera.

1. Desconecte el cable de la bujía.
2. Quite la correa de propulsión de la barrena. Consulte "Cómo desmontar la correa de propulsión de la barrena" en la sección de Servicio y Ajustes.
3. Afloje la **guía(s) de la correa de propulsión**. Separe las guías de la **correa de propulsión**.
4. Afloje la tuerca de la **polea guía de propulsión** (vea la Figura 85). Separe la **polea** lo más que pueda de la **correa de propulsión**, luego apriete la tuerca de la **polea**.
5. Quite la **correa de propulsión** vieja de la **polea doble** más pequeña. Quite la **polea doble** y la **correa de propulsión** vieja. Instale una **correa de propulsión** original de fábrica disponible en un centro de servicio Sears.
6. Instale la nueva **correa de propulsión** en la **polea de propulsión** y en el eje del motor.
7. Instale la **polea doble** en el eje del motor. A continuación, instale la **correa de propulsión** en la **polea doble** más pequeña. Apriete la **po-**

lea doble de forma que quede fijada al eje del motor.

8. Ajuste la **guía de la correa de propulsión**. Consulte "Cómo ajustar la guía de la correa de propulsión" en la sección de Servicio y Ajustes.
9. Instale y ajuste la **correa de propulsión de la barrena**. Consulte "Cómo desmontar la correa de propulsión de la barrena" en la sección de Servicio y Ajustes.
10. Ajuste la **guía de la correa de la barrena**. Consulte "Cómo ajustar la guía de la correa de la barrena" en la sección de Servicio y Ajustes.
11. Instale el **panel inferior** (Figura 83).
12. Apriete los **pernos** a ambos lados del **panel inferior**.
13. Instale la **cubierta de la correa**. Apriete el **tornillo** (Figura 81).
14. Revise el ajuste de los cables. Consulte "Cómo revisar y ajustar los cables" en la sección de Servicio y Ajustes.
15. Conecte el cable de la bujía.

IMPORTANTE: Debido a que una correa nueva se estirará (aflojará) con el uso, será necesario ajustar la tensión después de aproximadamente diez (10) horas de operación. Consulte "Cómo ajustar las correas" en la sección de Servicio y Ajustes.

SERVICIO Y AJUSTES

CÓMO AJUSTAR LA GUÍA DE LA CORREA DE LA BARRENA

1. Quite el cable de la bujía.
2. Pida a alguien que ponga el propulsor de la barrena.
3. Mida la distancia entre la **guía de la correa** y la **correa de la barrena**. La distancia debe ser de 1/8 de pulgada (3,175 mm). (Figura 86).
4. Si necesita hacer algún ajuste, afloje el perno de montaje de la guía de la correa. Ponga la guía en la posición correcta. Apriete el perno.
5. Vuelva a instalar la cubierta de la correa.
6. Vuelve a conectar el cable de la bujía.

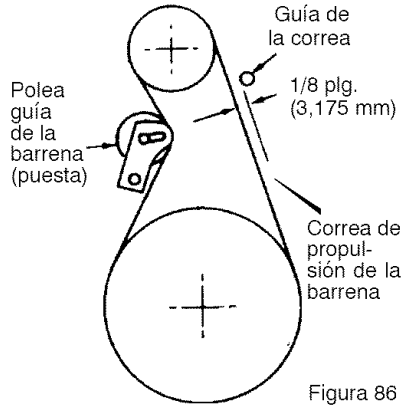


Figura 86

CÓMO AJUSTAR LA GUÍA DE LA CORREA DE PROPULSIÓN

1. Quite el cable de la bujía.
2. Pida a alguien que ponga el propulsor de la barrena.
3. Mida la distancia entre las dos **guías de correa** y la **correa de propulsión**. Fije la distancia de las dos **guías de correa** como se muestra en la Figura 87.
4. Si necesita hacer algún ajuste, afloje el perno de montaje de la guía de la correa. Ponga la guía en la posición correcta. Apriete el perno.
5. Vuelva a instalar la cubierta de la correa.
6. Vuelva a conectar el cable de la bujía.

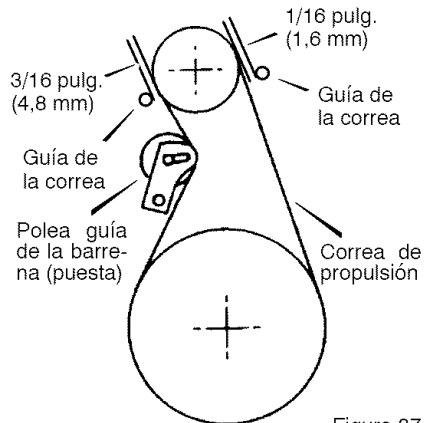


Figura 87

SERVICIO Y AJUSTES

CÓMO REVISAR Y AJUSTAR LOS CABLES

Los cables se ajustan en la fábrica y no debería ser necesario ajustarlos. Si se dan de sí o están flojos, ajústelos.

Siempre que cambie o ajuste las correas tendrá que ajustar los cables.

Para asegurarse de que estén bien ajustados, suelte el accesorio "Z" en la palanca de propulsión (Figura 88).

1. Mueva la palanca de propulsión todo lo que pueda hacia adelante (hasta que toque el tope de plástico). Sujete bien el cable, observe la posición del accesorio con respecto al agujero en la palanca de propulsión.

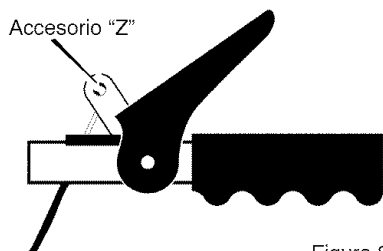


Figura 88

2. El centro del accesorio "Z" debe estar entre el centro y la parte superior del agujero en la palanca de propulsión. Ajuste el cable de pro-

pulsión de la barrena o el cable de propulsión por tracción según sea necesario, siguiendo las instrucciones a continuación.

Ajuste del cable de propulsión de la barrena

1. Deje el motor en marcha hasta que el tanque de combustible quede vacío y el motor se pare.
2. Levante el quitanieves con el extremo frontal del alojamiento de la barrena hacia abajo.
3. Meta el cable por el resorte hasta exponer la porción roscada del cable (Figura 89).

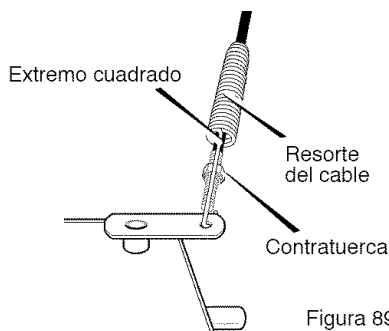


Figura 89

4. Sujete el extremo cuadrado de la parte roscada con unos alicates y ajuste la contratuerca hacia afuera o hacia adentro hasta conseguir el ajuste correcto. Vuelva a meter el cable por el resorte y conéctelo.

SERVICIO Y AJUSTES

CÓMO REEMPLAZAR LOS PERNOS DE SEGURIDAD DE LA BARRENA

Las barrenas están sujetas al eje de la barrena con pernos de seguridad especiales. Estos pernos están diseñados para romperse y proteger la máquina en caso de que un objeto se atasque en el alojamiento de la barrena. No use pernos duros pues perderá la protección de los pernos de seguridad.



ADVERTENCIA: Por razones de seguridad y para proteger la máquina, use solamente pernos de seguridad originales.

Para cambiar un perno de seguridad roto, proceda de la siguiente manera. En la bolsa de partes encontrará pernos de seguridad adicionales.

1. Mueva el control de aceleración a la posi-

ción de parada. Desenganche todos los controles.

2. Desconecte el cable de la bujía. Asegúrese de que todas las piezas móviles se hayan detenido.
3. Alinee el agujero de la barrena con el agujero del eje de la barrena. Instale el nuevo **perno** y **tuerca**. Figura 90.
4. Conecte el cable de la bujía.

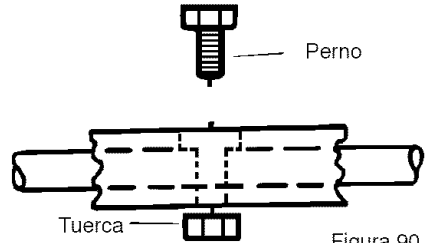


Figura 90

ALMACENAMIENTO



ADVERTENCIA: Nunca guarde su quitanieves con gasolina en el tanque de combustible en ambientes interiores o en un área cerrada y mal ventilada. Si queda gasolina en el tanque, los vapores podrían alcanzar alguna llama expuesta, chispa o llama piloto de una caldera, calentador de agua, secadora de ropa, cigarrillo, etc.

Para prevenir el daño (si el quitanieves no se usa por más 30 días) prepárelo como se indica a continuación.

QUITANIEVES

1. Limpie todo el quitanieves.
2. Lubrique todos los puntos de lubricación. Consulte la sección de **Mantenimiento**.
3. Asegúrese de que todas las tuercas, pernos y tornillos estén bien apretados. Inspeccione todas las piezas móviles visibles para detectar daños, roturas y desgaste. Haga los reemplazos necesarios.
4. Retoque todas las superficies oxidadas o que tengan la pintura saltada; líjelas suavemente antes de aplicar la pintura.
5. Cubra las piezas de metal expuesto del soplador del alojamiento de la barrena y del impulsor, con un anti-corrosivo, tal como un lubricante en aerosol.

NOTA: Una revisión o afinamiento anual hecho en un Centro de Servicio Sears es una buena manera de asegurar que su quitanieves le brinde el máximo rendimiento la siguiente temporada.

MOTOR

Deberá sacar la gasolina del tanque o prepararla para prevenir la formación de depósitos de goma en el tanque, filtro, manguera y carburador durante el almacenamiento. Además, durante el almacenamiento, la gasolina mezclada con alcohol que contiene etanol o metanol (llamada a veces gasohol) atrae agua, y ésta actúa sobre la gasolina formando ácidos que dañan el motor.

1. Deje el motor en marcha hasta que el tanque quede vacío y el motor se pare.
2. Si no quiere sacar la gasolina, use el estabilizador de combustible provisto con la unidad, o compre estabilizador de combustible Craftsman Núm. 3550. Añada el estabilizador de combustible a cualquier cantidad de gasolina que permanezca en el tanque para minimizar los depósitos de goma y ácido. Si el tanque está casi vacío, mezcle el estabilizador con gasolina fresca en un recipiente separado y añada un poco de esta mezcla al tanque.
3. Siempre siga las instrucciones del envase del estabilizador. Luego de añadir el estabilizador, encienda el motor y déjelo correr por 10 minutos por lo menos para permitir que la mezcla alcance el carburador.
4. Cambie el aceite del motor
5. Saque la bujía y vierta aproximadamente 15 ml (1/2 onza) de aceite para motor en el cilindro. Vuelva a colocar la bujía y vire el motor lentamente para distribuir el aceite.
6. Almacene en un área limpia y seca, pero NO cerca de una estufa, caldera o calentador de agua que tenga una llama piloto ni algún otro dispositivo que pueda generar chispas.

OTRAS INDICACIONES

1. Si fuera posible, guarde su quitanieves dentro de un recinto, cubriéndolo para protegerlo del polvo y la suciedad.
2. Si debe guardar el quitanieves afuera, colóquelo sobre bloques para levantarlos del suelo.
3. Cubra el quitanieves con una cubierta protectora apropiada que no retenga humedad. No use plástico.

IMPORTANTE: Nunca cubra el quitanieves mientras las áreas del motor y del escape estén todavía calientes.

TABLA DE LOCALIZACIÓN DE AVERÍAS

PROBLEMA	CAUSA	CORRECCION
Dificultad de arranque	Bujía defectuosa.	Reemplace la bujía defectuosa.
	Agua o suciedad en el sistema de combustible.	Saque el combustible del tanque. Añada combustible fresco.
El motor funciona erráticamente	Línea de combustible bloqueada, falta de combustible o mezcla de combustible vieja.	Limpie la línea de combustible; revise la existencia de combustible en el tanque, agregue gasolina fresca si es necesario.
El motor se para	Unidad funcionando con estrangulador activado.	Coloque la palanca de estrangulador en la posición DESACTIVADO.
El motor funciona erráticamente; Pérdida de potencia	Agua o suciedad en el sistema de combustible.	Saque el combustible del tanque. Añada combustible fresco.
Las empuñaduras recalentadas no se calientan; La función de ajuste eléctrico del conducto de descarga no funciona	Fusible fundido	Examine el fusible. Reemplácelo con un fusible de 7,5 amp para automóviles. Consulte la página que incluye la lista de piezas del conjunto de cableado para ver la ubicación del fusible.
Vibración excesiva	Piezas sueltas; propulsor dañado.	Pare el motor inmediatamente. Saque la llave de encendido. Apriete todos los sujetadores y realice todas las reparaciones necesarias. Si la vibración continúa, lleva la unidad a su Centro de Servicio Sears.
La unidad no se puede propulsar a sí misma	Correa de propulsión floja o dañada.	Reemplace la correa de propulsión.
	Ajuste incorrecto del cable de propulsión.	Ajuste cable de propulsión.
	Rueda de fricción gastada o dañada.	Reemplace la rueda de fricción.
La unidad no descarga la nieve	Correa de propulsión de la barrena suelta o dañada.	Reemplace la correa de propulsión de la barrena.
	El cable de control de la barrena no está ajustado correctamente.	Ajuste el cable de control de la barrena.
	Perno de seguridad roto.	Reemplace el perno de seguridad.
	Canal de descarga obstruido	Pare el motor inmediatamente y desconecte el cable de la bujía. Limpie el canal de descarga y la parte de adentro del alojamiento de la barrena.
	Objeto extraño atascado en la barrena.	Pare el motor inmediatamente y desconecte el cable de la bujía. Retire el objeto atascado en la barrena.

**Sears, Roebuck and Co., U.S.A. (Sears), Junta de Recursos Ambientales de California (CARB) y Agencia de Protección Ambiental de los Estados Unidos (U.S. EPA)
Declaración de la Garantía del Sistema de Control de Emisiones (Derechos y Obligaciones del Propietario de la Garantía de Defectos)**

LA COBERTURA DE LA GARANTÍA DEL CONTROL DE EMISIONES ES APLICABLE A LOS MOTORES CERTIFICADOS QUE HAYAN SIDO COMPRADOS EN CALIFORNIA A PARTIR DE 1995 Y DESPUÉS DE ESTA FECHA, LOS CUALES SEAN USADOS EN CALIFORNIA, Y

PARA LOS MOTORES CERTIFICADOS MODELOS 1997 EN ADELANTE QUE SEAN COMPRADOS Y USADOS EN OTRA PARTE DE LOS ESTADOS UNIDOS (Y A PARTIR DE ENERO 1 DE 2001 EN CANADA).

Declaración de la Garantía de Defectos del Sistema de Control de Emisiones de California, Estados Unidos y Canadá

La Junta de Recursos Ambientales (CARB), La Agencia de Protección Ambiental de los Estados Unidos U.S. EPA y Sears se complacen en explicarles la Garantía del Sistema de Control de Emisiones de su motor pequeño modelo 2000 en adelante para uso en terrenos sin pavimento (SORE). En California, los nuevos motores pequeños para uso en terrenos sin pavimento deben ser diseñados, fabricados y equipados para cumplir los rigurosos estándares anti-smog del Estado. En cualquier otra parte de los Estados Unidos, los nuevos motores de encendido por chispa para uso en carreteras modelos 1997 y posteriores, deben cumplir estándares similares a los establecidos por la Agencia de Protección Ambiental de los Estados Unidos (U.S.

EPA). Sears debe garantizar el sistema de control de emisiones en su motor por los períodos de tiempo listados abajo, teniendo en cuenta que no haya habido abuso, negligencia o mantenimiento no apropiado en su motor pequeño para uso en terrenos sin pavimento.

Su sistema de control de emisiones incluye partes tales como el carburador, el filtro de aire, el sistema de encendido, el mofle y el convertidor catalítico. También puede incluir conectores y otros conjuntos relacionados con el sistema de emisiones.

Siempre que exista una condición de garantía, Sears reparará su motor pequeño para uso en terrenos sin pavimento sin ningún costo para usted incluyendo el diagnóstico, las partes y la mano de obra.

Cobertura de la Garantía de Defectos del Sistema de Control de Emisiones Sears

Los motores pequeños para uso en terrenos sin pavimento se garantizan relativo a los defectos de las partes del sistema de control de emisiones durante un período de dos años, su-

jeta a las provisiones establecidas abajo. Si alguna de las partes bajo cobertura en su motor se encuentra defectuosa, la parte será reparada o reemplazada por Sears.

Responsabilidades del Propietario de la Garantía

Como propietario de un motor pequeño para uso en terrenos sin pavimento, usted es responsable de que se lleve a cabo el mantenimiento requerido el cual se indica en sus Instrucciones de Mantenimiento y Operación. Sears le recomienda guardar todos sus recibos que cubran el mantenimiento en su motor pequeño para uso en terrenos sin pavimento, pero Sears no solo puede negar la garantía por la falta de recibos sino por su omisión al asegurar la realización de todo el mantenimiento programado.

No obstante, como propietario de un motor pequeño para uso en terrenos sin pavimento, usted tiene que darse cuenta que Sears puede negarle la cobertura de la garantía si su motor pequeño para uso en terrenos sin pavimento o una de sus partes ha fallado debido a abuso,

negligencia, mantenimiento incorrecto o modificaciones no aprobadas

Usted es responsable de presentar su motor pequeño para uso en terrenos sin pavimento a un Distribuidor de Servicio Autorizado Sears tan pronto se presente el problema. Las reparaciones bajo garantía indisputables deben completarse en un período de tiempo razonable que no se exceda de 30 días.

Si usted tiene algunas preguntas relacionadas con los derechos y responsabilidades de la garantía, debe contactar a un Representante de Servicio Sears marcando el teléfono: 1-414-259-5262.

La garantía de emisiones es una garantía de defectos. Los defectos son juzgados en el desempeño normal de un motor. La garantía no está relacionada con una prueba de emisiones en uso.

Provisiones de la Garantía de Defectos del Sistema de Control de Emisiones Sears

Las siguientes son provisiones específicas relativas a la Cobertura de Garantía de Defectos del Sistema de Control de Emisiones. Es una adición de la garantía del motor Sears para los motores no-regulados encontrados en las Instrucciones de Mantenimiento y Operación.

1. Partes Garantizadas

La cobertura bajo esta garantía se extiende únicamente a las partes listadas abajo (partes de los sistemas de control de emisiones) hasta la extensión que estas partes fueron presentadas en el motor comprado.

- a. Sistema de Medición de Combustible
 - Sistema de Enriquecimiento de Arranque en Frío (estrangulación suave)
 - Carburador y Partes Internas
 - Bomba de Combustible
- b. Sistema de Inducción de Aire
 - Filtro de Aire
 - Múltiple de Admisión
- c. Sistema de Encendido
 - Bujía(s)
 - Sistema de Encendido con Magneto
- d. Sistema Catalizador
 - Convertidor Catalítico
 - Múltiple de Escape
 - Sistema de Inyección de Aire o Válvula de Pulsación
- e. Items Varios Usados en los Sistemas Anteriores
 - Vacío, Temperatura, Posición, Válvulas Sensitivas de Tiempo y Suiches
 - Conectores y Conjuntos

2. Duración de la Cobertura

Sears garantiza al propietario inicial y a cada comprador subsecuente que las Partes Garantizadas estarán libres de defectos en materiales y mano de obra la cual haya ocasionado fallas de las Partes Garantizadas por un período de dos años a partir de la fecha en que es entregado el motor a un comprador detallista.

3. Sin Costo

La reparación o cambio de cualquier Parte Garantizada se llevará a cabo sin costo alguno para el propietario, incluyendo la labor

de diagnóstico la cual conduce a la determinación de que esa Parte Garantizada es defectuosa, si el trabajo de diagnóstico es realizado en un Centro de Servicio Autorizado Sears. Para servicio de garantía de emisiones contacte su Centro de Servicio Autorizado Sears más cercano listado en las "Páginas Amarillas" bajo "Motores, Gasolina", "Motores a Gasolina", "Máquinas Cortacésped" o en una categoría similar.

4. Reclamos y Exclusiones de la Cobertura

Los reclamos de la garantía se completarán de acuerdo con las provisiones de la Póliza de Garantía del Motor Sears. La cobertura de la garantía estará excluida para fallas de las Partes Garantizadas las cuales no sean partes originales Sears o por abuso, negligencia o mantenimiento incorrecto según se establece en la Póliza de Garantía del Motor Sears. Sears no se hace responsable de cubrir fallas de Partes Garantizadas ocasionadas por el uso de adición de partes, partes no-originales o partes modificadas.

5. Mantenimiento

Cualquier parte garantizada la cual no esté programada para cambio al realizar el mantenimiento requerido o la cual esté programada únicamente para una inspección regular por el efecto de "repare o cambie si es necesario" se garantizará por defectos durante el período de la garantía. Cualquier Parte Garantizada la cual esté programada para cambio por el mantenimiento requerido se garantizará únicamente por defectos durante el período de tiempo hasta el primer cambio programado para esa parte. Cualquier repuesto que sea equivalente en desempeño y durabilidad puede ser usado al llevar a cabo toda tarea de mantenimiento o reparación. El propietario es responsable de la realización de todo el mantenimiento requerido, según se define en las Instrucciones de Mantenimiento y Operación Sears.

6. Cobertura Consecuente

La cobertura aquí establecida se extenderá hasta la falla de cualquiera de los componentes del motor ocasionada por la falla de cualquier Parte Garantizada que aún se encuentre bajo garantía.

Busque el Período de Durabilidad de Emisiones y la Información del Índice de Aire Pertinentes en su Etiqueta de Emisiones del Motor

Los motores que son certificados para cumplir con las Normas de Emisiones Etapa 2 de la Junta de Recursos Ambientales de California (CARB) deben mostrar la información referente al Período de Durabilidad de Emisiones y al Índice de Aire. Sears, Roebuck and Co., U.S.A. hace que esta información esté disponible para el consumidor en nuestras etiquetas de emisiones. La etiqueta del motor indicará la información de certificación.

El **Período de Durabilidad de Emisiones** describe el número de horas del tiempo real de operación para el cuál está certificado el motor por cumplir con las emisiones, asumiendo un mantenimiento apropiado de acuerdo con las Instrucciones de Mantenimiento y Operación. Se utilizan las siguientes categorías:

Moderado: El motor es certificado para cumplir con las emisiones durante 125 horas del tiempo real de operación del motor.

Intermedio: El motor es certificado para cumplir con las emisiones durante 250 horas del tiempo real de operación del motor.

Prolongado: El motor es certificado para cumplir con las emisiones durante 500 horas del tiempo real de operación del motor.

Por ejemplo, una máquina cortacésped de arrastrar típica es usada de 20 a 25 horas por año. Por lo tanto, el **Período de Durabilidad de Emisiones** de un motor con una clasificación **intermedia** se igualaría de 10 a 12 años.

El **Índice de Aire** es un número calculado que describe el nivel relativo de emisiones para una familia específica de motores. Mientras más bajo sea el **Índice de Aire**, más limpio será el motor. Esta información es mostrada en forma gráfica en la etiqueta de emisiones.

Después de Julio 1, 2000, Busque el Período de Conformidad de Emisiones en la Etiqueta de Conformidad de Emisiones del Motor

Después de Julio 1, 2000 ciertos motores Sears, Roebuck and Co., U.S.A. estarán certificados por cumplir con las normas de emisiones Fase 2 de la Agencia de Protección Ambiental de los Estados Unidos (USEPA). Para los motores certificados Fase 2, el Período de Conformidad de Emisiones al cual se refiere la Etiqueta de Conformidad de Emisiones indica el número de horas de operación para las cuales el motor ha demostrado que cumple con los requerimientos Federales de emisiones. Para motores con un desplazamiento inferior a 225 cc, Categoría C = 125 horas, B = 250 horas y A = 500 horas. Para motores con un desplazamiento de 225 cc o superior, Categoría C = 250 horas, B = 500 horas y A = 1000 horas.

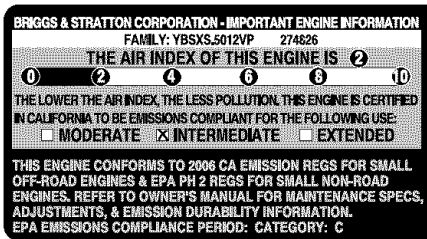
El desplazamiento de los motores Modelos Serie 90000 es 148 cc.

El desplazamiento de los motores Modelos Serie 120000 es 206 cc.

El desplazamiento de los motores Modelos Serie 200000 es 305 cc.

El desplazamiento de los motores Modelos Serie 210000 es 342 cc.

Esta es una representación genérica de una etiqueta de emisiones típicamente encontrada en un motor certificado.



Get it fixed, at your home or ours!

Your Home

For repair – **in your home** – of **all** major brand appliances, lawn and garden equipment, or heating and cooling systems, **no matter who made it, no matter who sold it!**

For the replacement parts, accessories and owner's manuals that you need to do-it-yourself.

For Sears professional installation of home appliances and items like garage door openers and water heaters.

1-800-4-MY-HOME[®] Anytime, day or night
(1-800-469-4663) (U.S.A. and Canada)
www.sears.com www.sears.ca

Our Home

For repair of carry-in products like vacuums, lawn equipment, and electronics, call or go on-line for the nearest **Sears Parts and Repair Center.**

1-800-488-1222 Anytime, day or night (U.S.A. only)
www.sears.com

To purchase a protection agreement (U.S.A.) or maintenance agreement (Canada) on a product serviced by Sears:

1-800-827-6655 (U.S.A.) **1-800-361-6665** (Canada)

Para pedir servicio de reparación a domicilio, y para ordenar piezas:

1-888-SU-HOGARSM
(1-888-784-6427)

Au Canada pour service en français:

1-800-LE-FOYER^{MC}
(1-800-533-6937)
www.sears.ca

SEARS

© Sears, Roebuck and Co.

® Registered Trademark / TM Trademark / SM Service Mark of Sears, Roebuck and Co.

® Marca Registrada / TM Marca de Fábrica / SM Marca de Servicio de Sears, Roebuck and Co.

^{MC} Marque de commerce / ^{MD} Marque déposée de Sears, Roebuck and Co.