

Owner's Manual



# ROTARY LAWN MOWER

5.5 Horsepower  
Power-Propelled  
21" Multi-Cut

Model No.  
**917.378960**



• Español, p. 19

## **CAUTION:**

Read and follow all  
Safety Rules and Instructions  
before operating this equipment

Sears, Roebuck and Co., Hoffman Estates, IL 60179 U.S.A.  
Visit our Craftsman website: [www.sears.com/craftsman](http://www.sears.com/craftsman)

## TABLE OF CONTENTS

Warranty .....	2	Maintenance .....	12-15
Safety Rules .....	2-4	Service and Adjustments.....	15-16
Product Specifications .....	4	Storage .....	16-17
Assembly / Pre-Operation .....	6	Troubleshooting .....	17-18
Operation.....	7-11	Repair Parts.....	36-43
Maintenance Schedule .....	12	Sears Service .....	Back Cover

## WARRANTY

### LIMITED TWO YEAR WARRANTY ON CRAFTSMAN POWER MOWER

For two years from date of purchase, when this Craftsman Lawn Mower is maintained, lubricated, and tuned up according to the operating and maintenance instructions in the owner's manual, Sears will repair free of charge any defect in material or workmanship.

If this Craftsman Lawn Mower is used for commercial or rental purposes, this warranty applies for only 90 days from the date of purchase.

This Warranty does not cover:

- Expendable items which become worn during normal use, such as rotary mower blades, blade adapters, belts, air cleaners and spark plug.
- Repairs necessary because of operator abuse or negligence, including bent crankshafts and the failure to maintain the equipment according to the instructions contained in the owner's manual.

Warranty service is available by returning the Craftsman power mower to the nearest Sears Parts & Repair Center in the United States. This warranty applies only while this product is used in the United States.

This Warranty gives you specific legal rights, and you may also have other rights which vary from state to state.

Sears, Roebuck And Co., D/817 WA, Hoffman Estates, IL 60179

## SAFETY RULES

**IMPORTANT:** This cutting machine is capable of amputating hands and feet and throwing objects. Failure to observe the following safety instructions could result in serious injury or death.

**⚠** Look for this symbol to point out important safety precautions. It means **CAUTION!!! BECOME ALERT!!! YOUR SAFETY IS INVOLVED.**

**⚠ WARNING:** In order to prevent accidental starting when setting up, transporting, adjusting or making repairs, always disconnect spark plug wire and place wire where it cannot contact plug.

**⚠ WARNING:** Engine exhaust, some of its constituents, and certain vehicle components contain or emit chemicals known to the State of California to cause cancer and birth defects or other reproductive harm.

**⚠ WARNING:** Battery posts, terminals and related accessories contain lead and lead compounds, chemicals known to the State of California to cause cancer and birth defects or other reproductive harm. **Wash hands after handling.**

**⚠ CAUTION:** Muffler and other engine parts become extremely hot during operation and remain hot after engine has stopped. To avoid severe burns on contact, stay away from these areas.



## I. GENERAL OPERATION

- Read, understand, and follow all instructions on the machine and in the manual(s) before starting. Be thoroughly familiar with the controls and the proper use of the machine before starting.
- Do not put hands or feet near or under rotating parts. Keep clear of the discharge opening at all times.
- Only allow responsible individuals, who are familiar with the instructions, to operate the machine.
- Clear the area of objects such as rocks, toys, wire, bones, sticks, etc., which could be picked up and thrown by the blade.
- Be sure the area is clear of other people before mowing. Stop machine if anyone enters the area.
- Do not operate the mower when barefoot or wearing open sandals. Always wear substantial foot wear.
- Do not pull mower backwards unless absolutely necessary. Always look down and behind before and while moving backwards.
- Do not operate the mower without proper guards, plates, grass catcher or other safety protective devices in place.
- See manufacturer's instructions for proper operation and installation of accessories. Only use accessories approved by the manufacturer.
- Stop the blade(s) when crossing gravel drives, walks, or roads.
- Stop the engine (motor) whenever you leave the equipment, before cleaning the mower or unclogging the chute.
- Shut the engine (motor) off and wait until the blade comes to complete stop before removing grass catcher.
- Mow only in daylight or good artificial light.
- Do not operate the machine while under the influence of alcohol or drugs.
- Never operate machine in wet grass. Always be sure of your footing: keep a firm hold on the handle and walk; never run.
- Disengage the self-propelled mechanism or drive clutch on mowers so equipped before starting the engine (motor).
- If the equipment should start to vibrate abnormally, stop the engine (motor) and check immediately for the cause. Vibration is generally a warning of trouble.
- Always wear safety goggles or safety glasses with side shields when operating mower.

## II. SLOPE OPERATION

Slopes are a major factor related to slip and fall accidents which can result in severe injury. All slopes require extra caution. If you feel uneasy on a slope, do not mow it.

### DO:

- Mow across the face of slopes: never up and down. Exercise extreme caution when changing direction on slopes.
- Remove obstacles such as rocks, tree limbs, etc.
- Watch for holes, ruts, or bumps. Tall grass can hide obstacles.

### DO NOT:

- Do not trim near drop-offs, ditches or embankments. The operator could lose footing or balance.
- Do not trim excessively steep slopes.
- Do not mow on wet grass. Reduced footing could cause slipping.

## III. CHILDREN

Tragic accidents can occur if the operator is not alert to the presence of children. Children are often attracted to the machine and the mowing activity. *Never* assume that children will remain where you last saw them.

- Keep children out of the trimming area and under the watchful care of another responsible adult.
- Be alert and turn machine off if children enter the area.
- Before and while walking backwards, look behind and *down* for small children.
- Never allow children to operate the machine.
- Use extra care when approaching blind corners, shrubs, trees, or other objects that may obscure vision.

## IV. SERVICE

- Use extra care in handling gasoline and other fuels. They are flammable and vapors are explosive.
  - Use only an approved container.
  - Never remove gas cap or add fuel with the engine running.  
Allow engine to cool before refueling.  
Do not smoke.
  - Never refuel the machine indoors.
  - Never store the machine or fuel container inside where there is an open flame, such as a water heater.
- Never run a machine inside a closed area.
- Never make adjustments or repairs with the engine (motor) running. Disconnect the spark plug wire, and keep the wire away from the plug to prevent accidental starting.

- Keep nuts and bolts, especially blade attachment bolts, tight and keep equipment in good condition.
- Never tamper with safety devices. Check their proper operation regularly.
- Keep machine free of grass, leaves, or other debris build-up. Clean oil or fuel spillage. Allow machine to cool before storing.
- Stop and inspect the equipment if you strike an object. Repair, if necessary, before restarting.
- Never attempt to make wheel height adjustments while the engine (motor) is running.
- Grass catcher components are subject to wear, damage, and deterioration, which could expose moving parts or allow objects to be thrown. Frequently check components and replace with manufacturer's recommended parts, when necessary.
- Mower blades are sharp and can cut. Wrap the blade(s) or wear gloves, and use extra caution when servicing them.
- Do not change the engine governor setting or overspeed the engine.

PRODUCT SPECIFICATIONS	
Serial Number:	
Date of Purchase:	
Gasoline Capacity / Type:	1.0 Quarts (Unleaded Regular)
Oil Type (API-SF-SJ):	SAE 10W30
Oil Capacity:	18.5 Ounces
Spark Plug (Gap: .030")	NGK BPR6ES
Valve Clearance (± 0.04 mm):	Intake: 0.015 mm; Exhaust: 0.020 mm
Blade Bolt Torque:	36-44 ft. lbs.
<ul style="list-style-type: none"> <li>• The model and serial numbers will be found on a decal on the rear of the lawn mower housing. Record both serial number and date of purchase in space provided above.</li> </ul>	

### Repair Protection Agreements

*Congratulations on making a smart purchase. Your new Craftsman® product is designed and manufactured for years of dependable operation. But like all products, it may require repair from time to time. That's when having a Repair Protection Agreement can save you money and aggravation.*

*Purchase a Repair Protection Agreement now and protect yourself from unexpected hassle and expense.*

Here's what's included in the Agreement:

- **Expert service** by our 12,000 professional repair specialists.
- **Unlimited service and no charge** for parts and labor on all covered repairs.
- **Product replacement** if your covered product can't be fixed.
- **Discount of 10%** from regular price of service and service-related parts not covered by the agreement; also, 10% off regular price of preventive maintenance check.

- **Fast help by phone** – phone support from a Sears technician on products requiring in-home repair, plus convenient repair scheduling.

Once you purchase the Agreement, a simple phone call is all that it takes for you to schedule service. You can call anytime day or night, or schedule a service appointment online.

Sears has over 12,000 professional repair specialists, who have access to over 4.5 million quality parts and accessories. That's the kind of professionalism you can count on to help prolong the life of your new purchase for years to come. Purchase your Repair Protection Agreement today! **Some limitations and exclusions apply. For prices and additional information call 1-800-827-6655.**


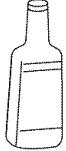
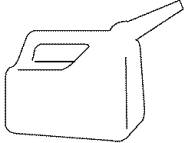
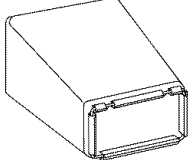
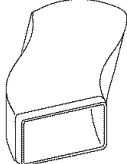
#### **Sears Installation Service**

*For Sears professional installation of home appliances, garage door openers, water heaters, and other major home items, in the U.S.A. call 1-800-4-MY-HOME®.*

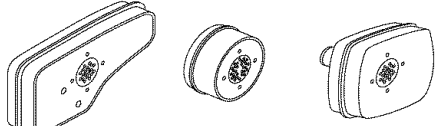
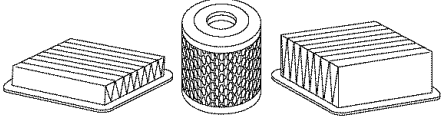
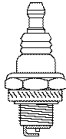
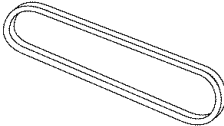
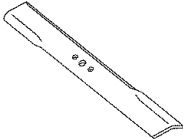
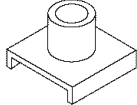

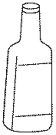
# ACCESSORIES

These accessories were available when this lawn mower was produced. **They are not shipped with your mower.** They are also available at most Sears retail outlets and service centers. Some of these accessories may not apply to your lawn mower.

## LAWN MOWER PERFORMANCE

 <p><b>CLIPPING DEFLECTORS FOR REAR DISCHARGE LAWN MOWERS</b></p>	 <p><b>STABILIZER</b></p>	 <p><b>GAS CANS</b></p>
 <p><b>GRASS CATCHERS FOR REAR DISCHARGE LAWN MOWERS</b></p>	 <p><b>GRASS CATCHERS FOR SIDE DISCHARGE LAWN MOWERS</b></p>	

## LAWN MOWER MAINTENANCE

 <p><b>MUFFLERS</b></p>		 <p><b>AIR FILTERS</b></p>	 <p><b>SPARK PLUGS</b></p>	
 <p><b>BELTS</b></p>	 <p><b>BLADES</b></p>	 <p><b>BLADE ADAPTERS</b></p>	 <p><b>WHEELS</b></p>	 <p><b>ENGINE OIL</b></p>

## ASSEMBLY / PRE-OPERATION

Read these instructions and this manual in its entirety before you attempt to assemble or operate your new lawn mower.

**IMPORTANT:** This lawn mower is shipped WITHOUT OIL OR GASOLINE in the engine.

Your new lawn mower has been assembled at the factory with the exception of those parts left unassembled for shipping purposes. All parts such as nuts, washers, bolts, etc., necessary to complete the assembly have been placed in the parts bag. To ensure safe and proper operation of your lawn mower, all parts and hardware you assemble must be tightened securely. Use the correct tools as necessary to ensure proper tightness.

### TO REMOVE LAWN MOWER FROM CARTON

1. Remove loose parts included with mower.
2. Cut down two end corners of carton and lay end panel down flat.
3. Remove all packing materials except padding between upper and lower handle and padding holding operator presence control bar to upper handle.
4. Roll lawn mower out of carton and check carton thoroughly for additional loose parts.

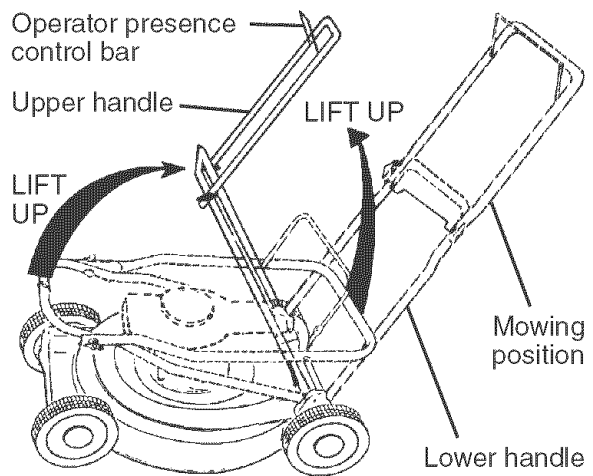
### HOW TO SET UP YOUR LAWN MOWER

#### TO UNFOLD HANDLE

**IMPORTANT:** Unfold handle carefully so as not to pinch or damage control cables.

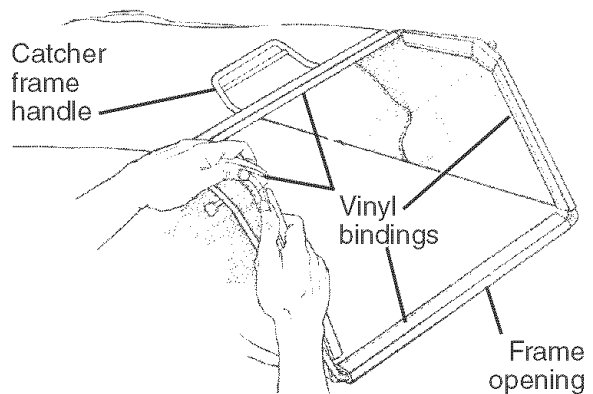
1. Raise handles until lower handle section locks into place in mowing position.
2. Remove protective padding, raise upper handle section into place on lower handle and tighten both handle knobs.
3. Remove handle padding holding operator presence control bar to upper handle.

Your lawn mower handle can be adjusted for your mowing comfort. Refer to "ADJUST HANDLE" in the Service and Adjustments section of this manual.



### TO ASSEMBLE GRASS CATCHER

1. Put grass catcher frame into grass bag with rigid part of bag on the bottom. Make sure the frame handle is outside of the bag top.
  2. Slip vinyl bindings over frame.
- NOTE:** If vinyl bindings are too stiff, hold them in warm water for a few minutes. If bag gets wet, let it dry before using.



### TO INSTALL ATTACHMENTS

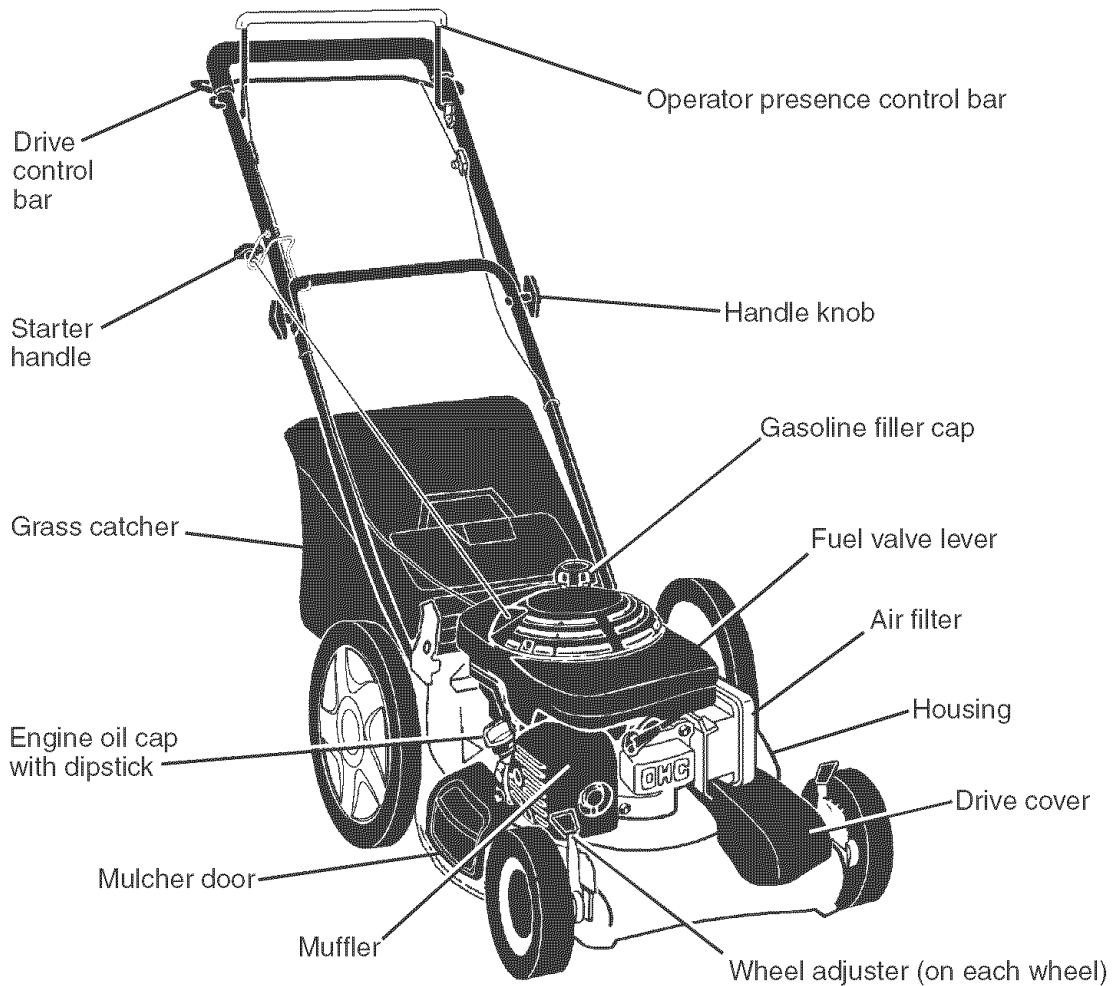
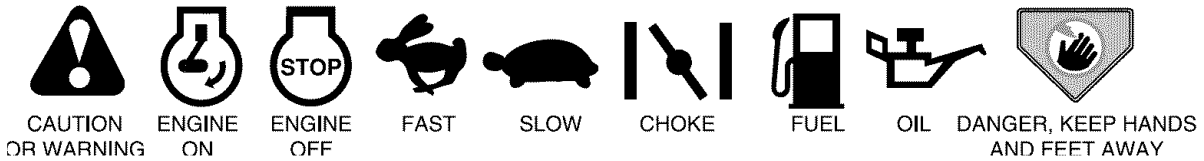
Your lawn mower was shipped ready to be used as a mulcher. To convert to bagging or discharging, see "TO CONVERT MOWER" in the Operation section of this manual.

# OPERATION

## KNOW YOUR LAWN MOWER

READ THIS OWNER'S MANUAL AND ALL SAFETY RULES BEFORE OPERATING YOUR LAWN MOWER. Compare the illustrations with your lawn mower to familiarize yourself with the location of various controls and adjustments. Save this manual for future reference.

These symbols may appear on your lawn mower or in literature supplied with the product. Learn and understand their meaning.



**IMPORTANT:** This lawn mower is shipped WITHOUT OIL OR GASOLINE in the engine.

## MEETS CPSC SAFETY REQUIREMENTS

Sears rotary walk-behind power lawn mowers conform to the safety standards of the American National Standards Institute and the U.S. Consumer Product Safety Commission. The blade turns when the engine is running.

**Operator presence control bar** – must be held down to the handle to start the engine. Release to stop the engine.  
**Starter handle** – used for starting the engine.

**Mulcher door** – allows conversion to discharging or bagging operation.  
**Drive control bar** – used to engage power-propelled forward motion of lawn mower.



The operation of any lawn mower can result in foreign objects thrown into the eyes, which can result in severe eye damage.

Always wear safety glasses or eye shields while operating your lawn mower or performing any adjustments or repairs. We recommend standard safety glasses or a wide vision safety mask worn over spectacles.

## HOW TO USE YOUR LAWN MOWER ENGINE SPEED

Engine speed was set at the factory for optimum performance. Speed is not adjustable.

## ENGINE ZONE CONTROL

**CAUTION:** Federal regulations require an engine control to be installed on this lawn mower in order to minimize the risk of blade contact injury. Do not under any circumstances attempt to defeat the function of the operator control. The blade turns when the engine is running.

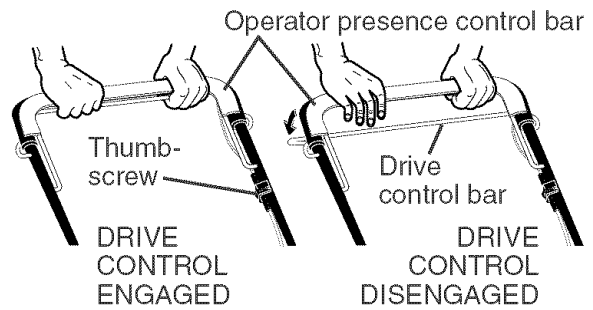
- Your lawn mower is equipped with an operator presence control bar which requires the operator to be positioned behind the lawn mower handle to start and operate the lawn mower.

## DRIVE CONTROL

- Self-propelling is controlled by holding the operator presence control bar down to the handle and pulling the drive control bar up to the handle. The closer to the handle the bar is pulled, the faster the unit will travel.
- Forward motion will stop when either the operator presence control bar or drive control bar are released. To stop forward motion without stopping engine, release the drive control bar only. Hold operator presence control bar down against handle to continue mowing without self-propelling.

**NOTE:** If after releasing the drive control the mower will not roll backwards, push the mower forward slightly to disengage drive wheels.

- To keep drive control engaged when turning corners, push down on the handle to lift the front wheels off the ground while turning lawn mower.



## DRIVE CONTROL ADJUSTMENT

Over time, the drive control system may become "loose", resulting in decreased speed. There is a thumbscrew on the underside of the drive control housing to increase tension on the drive cable. Proceed as follows:

- Turn unit off and disconnect spark plug wire from spark plug.
- Rotate thumbscrew counter-clockwise to tighten the drive cable.
- Operate mower to test drive speed.
- If condition fails to improve after the above steps (forward speed remains the same), your drive belt is worn and should be replaced.

**NOTE:** If mower begins to "creep" forward, the drive cable is too tight. Rotate thumb-screw clockwise to loosen drive cable.

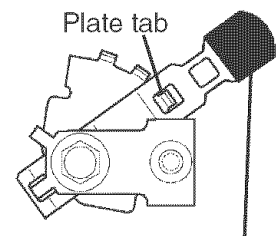
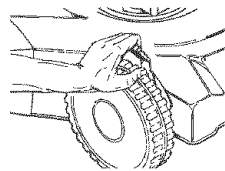
## TO ADJUST CUTTING HEIGHT

Raise wheels for low cut and lower wheels for high cut, adjust cutting height to suit your requirements. Medium position is best for most lawns.

- To change cutting height, squeeze adjuster lever toward wheel. Move wheel up or down to suit your requirements. Be sure all wheels are in the same setting.

**NOTE:** Adjuster is properly positioned when plate tab inserts into hole in lever. Also, 9-position adjusters (if so equipped) allow lever to be positioned between the plate tabs.

LEVER BACKWARD TO LOWER MOWER



LEVER FORWARD TO RAISE MOWER Lever

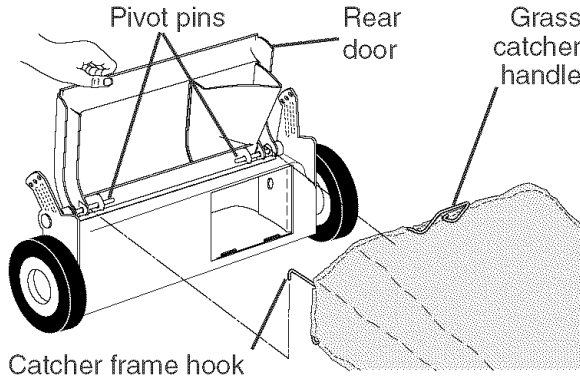


## TO CONVERT MOWER

Your lawn mower was shipped ready to be used as a mulcher. To convert to bagging or discharging:

### REAR BAGGING

- Lift rear door of the lawn mower and place the grass catcher frame hooks onto the door pivot pins.
- To convert to mulching or discharging operation, remove grass catcher and close rear door.



### SIDE DISCHARGING

- Rear door must be closed.
- Open mulcher door and install discharge deflector under door as shown.
- Mower is now ready for discharging operation.
- To convert to mulching or bagging operation, discharge deflector must be removed and mulcher door must be closed.

### SIMPLE STEPS TO REMEMBER WHEN CONVERTING YOUR LAWN MOWER

#### FOR MULCHING -

1. Rear door closed.
2. Mulcher door closed.

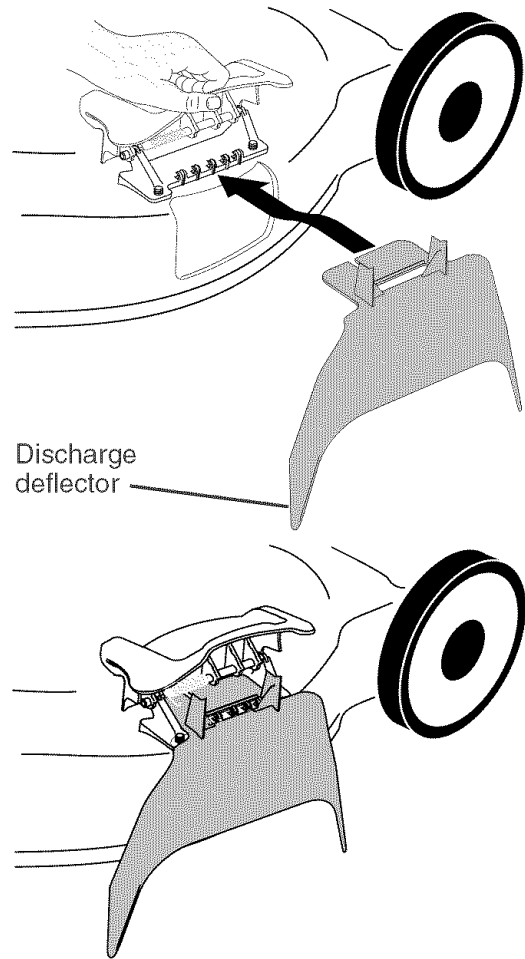
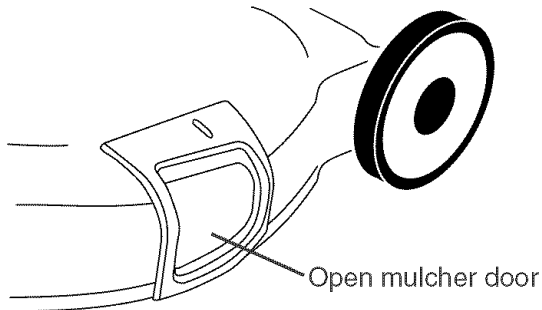
#### FOR REAR BAGGING -

1. Grass catcher installed.
2. Mulcher door closed.

#### FOR SIDE DISCHARGING -

1. Rear door closed.
2. Discharge deflector installed.

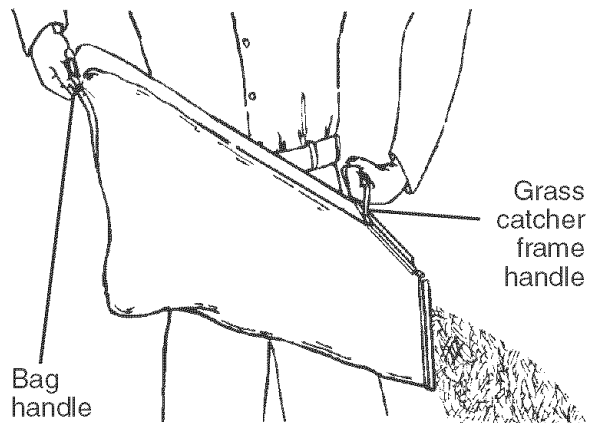
**CAUTION:** Do not run your lawn mower without rear door closed or approved grass catcher in place. Never attempt to operate the lawn mower with the rear door removed or propped open.



### TO EMPTY GRASS CATCHER

1. Lift up on grass catcher using the frame handle.
2. Remove grass catcher with clippings from under lawn mower handle.
3. Empty clippings from bag using both frame handle and bag handle.

**NOTE:** Do not drag the bag when emptying; it will cause unnecessary wear.



## BEFORE STARTING ENGINE

### ADD OIL

Your lawnmower is shipped without oil in the engine. For type and grade of oil to use, see “ENGINE” in the Maintenance section of this manual.

**⚠ CAUTION:** DO NOT overfill engine with oil, or it will smoke on startup.

1. Be sure lawnmower is level.
2. Remove oil dipstick from oil fill spout.
3. You receive a container of oil with the unit. Slowly pour the entire container down the oil fill spout into the engine.
4. Insert and tighten dipstick.

### IMPORTANT:

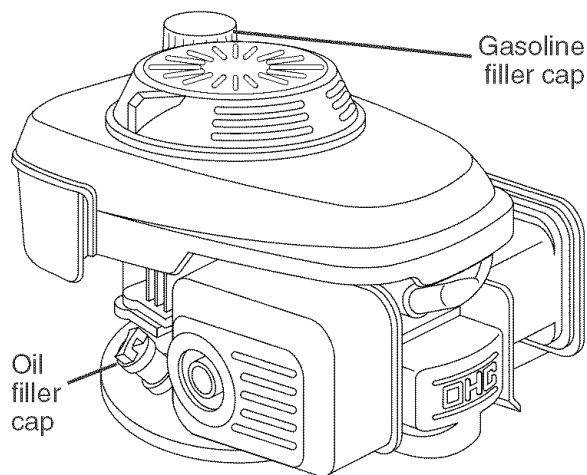
- Check oil level before each use. Add oil if needed. Fill to full line on dipstick.
- Change the oil after every 25 hours of operation or each season. You may need to change the oil more often under dusty, dirty conditions. See “TO CHANGE ENGINE OIL” in the Maintenance section of this manual.

### ADD GASOLINE

- Fill fuel tank to bottom of tank filler neck. Do not overfill. Use fresh, clean, regular unleaded gasoline with a minimum of 87 octane. Do not mix oil with gasoline. Purchase fuel in quantities that can be used within 30 days to assure fuel freshness.

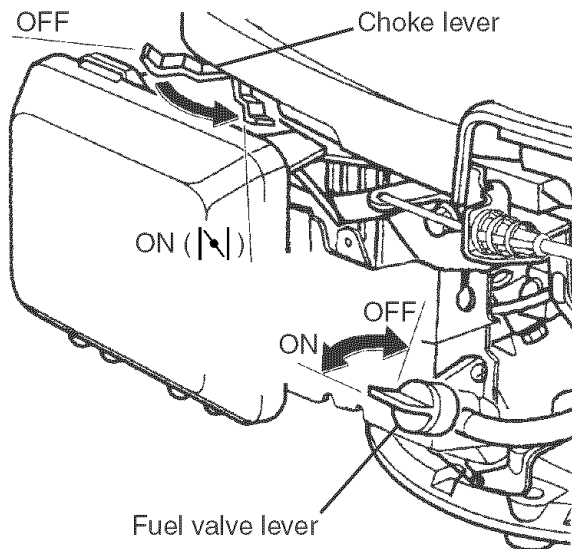
**⚠ CAUTION:** Wipe off any spilled oil or fuel. Do not store, spill or use gasoline near an open flame.

**⚠ CAUTION:** Alcohol blended fuels (called gasohol or using ethanol or methanol) can attract moisture which leads to separation and formation of acids during storage. Acidic gas can damage the fuel system of an engine while in storage. To avoid engine problems, the fuel system should be emptied before storage of 30 days or longer. Empty the gas tank, start the engine and let it run until the fuel lines and carburetor are empty. Use fresh fuel next season. See Storage Instructions for additional information. Never use engine or carburetor cleaner products in the fuel tank or permanent damage may occur.



### TO STOP ENGINE

- To stop engine, release operator presence control bar. Wait until blade and all moving parts have stopped and turn fuel valve to OFF position if you do not intend to restart the engine soon.



### TO START ENGINE

**NOTE:** Due to protective coatings on the engine, a small amount of smoke may be present during the initial use of the product and should be considered normal.

1. Be sure fuel valve is in the ON position.
2. Move choke lever to ON (|<|>) position.
3. Hold operator presence control bar down to the handle and pull starter handle quickly. Do not allow starter rope to snap back.

**NOTE:** The choke lever automatically begins moving to the OFF position when operator presence control bar is held down to handle.

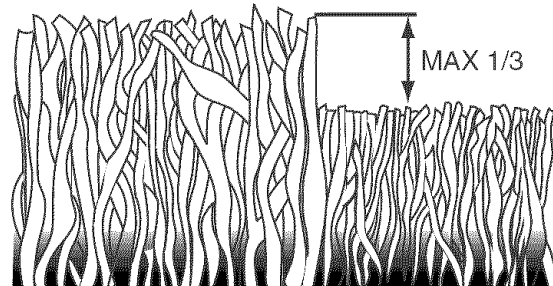
## MOWING TIPS

- Under certain conditions, such as very tall grass, it may be necessary to raise the height of cut to reduce pushing effort and to keep from overloading the engine and leaving clumps of grass clippings. It may also be necessary to reduce ground speed and/or run the lawn mower over the area a second time.
- For extremely heavy cutting, reduce the width of cut by overlapping previously cut path and mow slowly.
- For better grass bagging and most cutting conditions, the engine speed should be set in the fast position.
- Pores in cloth grass catchers can become filled with dirt and dust with use and catchers will collect less grass. To prevent this, regularly hose catcher off with water and let dry before using.
- Keep top of engine around starter clear and clean of grass clippings and chaff. This will help engine air flow and extend engine life.

## MULCHING MOWING TIPS

**IMPORTANT:** For best performance, keep mower housing free of built-up grass and trash. See “CLEANING” in the Maintenance section of this manual.

- The special mulching blade will recut the grass clippings many times and reduce them in size so that as they fall onto the lawn they will disperse into the grass and not be noticed. Also, the mulched grass will biodegrade quickly to provide nutrients for the lawn. Always mulch with your highest engine (blade) speed as this will provide the best recutting action of the blades.
- Avoid cutting your lawn when it is wet. Wet grass tends to form clumps and interferes with the mulching action. The best time to mow your lawn is the early afternoon. At this time the grass has dried, yet the newly cut area will not be exposed to direct sunlight.
- For best results, adjust the lawn mower cutting height so that the lawn mower cuts off only the top one-third of the grass blades. If the lawn is overgrown it will be necessary to raise the height of cut to reduce pushing effort and to keep from overloading the engine and leaving clumps of mulched grass. For extremely heavy grass, reduce your width of cut by overlapping previously cut path and mow slowly.



- Certain types of grass and grass conditions may require that an area be mulched a second time to completely hide the clippings. When doing a second cut, mow across (perpendicular) to the first cut path.
- Change your cutting pattern from week to week. Mow north to south one week then change to east to west the next week. This will help prevent matting and graining of the lawn.

# MAINTENANCE

MAINTENANCE SCHEDULE		BEFORE EACH USE	AFTER EACH USE	EVERY 10 HOURS	EVERY 25 HOURS OR SEASON	EVERY 100 HOURS	BEFORE STORAGE
LAWN	Check for Loose Fasteners	✓					✓
	Clean / Inspect Grass Catcher *	✓	✓				✓
	Check Tires	✓					
	Check Drive Wheels ***	✓					
	Clean Lawn Mower ****		✓				✓
MOWER	Clean under Drive Cover ***			✓			
	Check Drive Belt / Pulleys ***				✓		
	Check / Sharpen / Replace Blade				✓ <sub>3</sub>		
	Lubrication				✓		
	Clean and Recharge Battery **				✓		✓ <sub>4</sub>
ENGINE	Check Engine Oil level	✓ <sub>5</sub>					
	Change Engine Oil				✓ <sub>1,2</sub>		
	Clean Air Filter				✓ <sub>2</sub>		
	Inspect Muffler				✓		
	Replace Spark Plug					✓	
	Replace Air Filter Paper Cartridge					✓ <sub>2</sub>	
	Empty fuel system or add Stabilizer						✓

- \* (if so equipped)
- \*\* Electric-Start mowers
- \*\*\* Power-Propelled mowers
- \*\*\*\* Use a scraper to clean under deck
- 1 - Change more often if operating under a heavy load or in high outdoor temperatures.
- 2 - Service more often if operating in dirty or dusty conditions.
- 3 - Replace blades more often when mowing in sandy soil.
- 4 - Charge 48 hours at end of season.
- 5 - And after each 5 hours of use.

## GENERAL RECOMMENDATIONS

The warranty on this lawn mower does not cover items that have been subjected to operator abuse or negligence. To receive full value from the warranty, operator must maintain unit as instructed in this manual.

Some adjustments will need to be made periodically to properly maintain your unit.

At least once a season, check to see if you should make any of the adjustments described in the Service and Adjustments section of this manual.

- At least once a year, replace the spark plug, clean or replace air filter element and check blade for wear. A new spark plug and clean/new air filter element assure proper air-fuel mixture and help your engine run better and last longer.
- Follow the maintenance schedule in this manual.

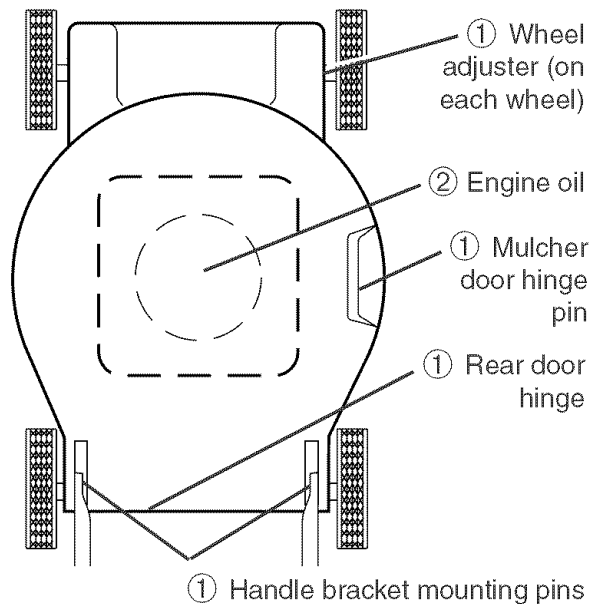
## BEFORE EACH USE

- Check engine oil level.
- Check for loose fasteners.

## LUBRICATION

Keep unit well lubricated (See "LUBRICATION CHART").

## LUBRICATION CHART



- ① Spray lubricant
- ② See "ENGINE" in Maintenance section.

**IMPORTANT:** Do not oil or grease plastic wheel bearings. Viscous lubricants will attract dust and dirt that will shorten the life of the self-lubricating bearings. If you feel they must be lubricated, use only a dry, powdered graphite type lubricant sparingly.

## LAWN MOWER

Always observe safety rules when performing any maintenance.

### TIRES

- Keep tires free of gasoline, oil, or insect control chemicals which can harm rubber.
- Avoid stumps, stones, deep ruts, sharp objects and other hazards that may cause tire damage.

### DRIVE WHEELS

Check front drive wheels each time before you mow to be sure they move freely. The wheels not turning freely means trash, grass cuttings, etc. are in the drive wheel area and must be cleaned to free drive wheels. If necessary to clean the drive wheels, be sure to clean both front wheels.

1. Remove hubcaps, locknuts, washers.
2. Remove wheels from wheel adjusters.
3. Remove any trash or grass cuttings from inside the dust cover, pinion and/or drive wheel gear teeth.
4. Put wheels back in place.

**NOTE:** If after cleaning, the drive wheels do not turn freely, contact a Sears or other qualified service center.

### BLADE CARE

For best results, mower blade must be kept sharp. Replace bent or damaged blades.

#### TO REMOVE BLADE

1. Disconnect spark plug wire from spark plug and place wire where it cannot come in contact with plug.
2. Turn lawn mower on its side. Make sure air filter and carburetor are up.
3. Use a wood block between blade and mower housing to prevent blade from turning when removing blade bolt.

**NOTE:** Protect your hands with gloves and/or wrap blade with heavy cloth.

4. Remove blade bolt by turning counter-clockwise.
5. Remove blade and attaching hardware (bolt, lock washer, hardened washer).

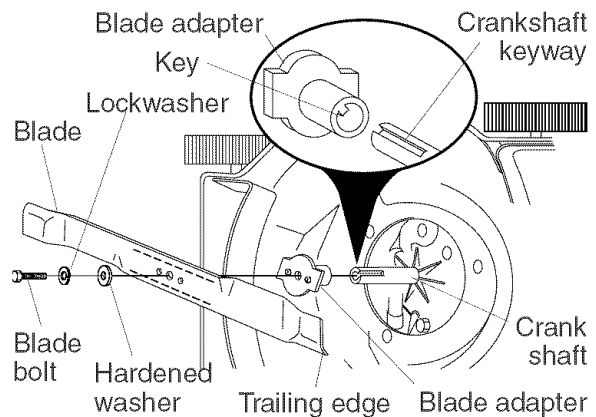
**NOTE:** Remove the blade adapter and check the key inside hub of blade adapter. The key must be in good condition to work properly. Replace adapter if damaged.

#### TO REPLACE BLADE

1. Position the blade adapter on the engine crankshaft. Be sure key in adapter and crankshaft keyway are aligned.
2. Position blade on the blade adapter aligning the two (2) holes in the blade with the raised lugs on the adapter.

3. Be sure the trailing edge of blade (opposite sharp edge) is up toward the engine.
  4. Install the blade bolt with the lock washer and hardened washer into blade adapter and crankshaft.
  5. Use block of wood between blade and lawn mower housing and tighten the blade bolt, turning clockwise.
- The recommended tightening torque is 35-40 ft. lbs.

**IMPORTANT:** Blade bolt is heat treated. If bolt needs replacing, replace only with approved bolt shown in the Repair Parts section of this manual.



#### TO SHARPEN BLADE

**NOTE:** We do not recommend sharpening your mower blade - but if you do, be sure the blade is balanced.

Care should be taken to keep the blade balanced. An unbalanced blade will cause eventual damage to mower or engine.

- The blade can be sharpened with a file or on a grinding wheel. Do not attempt to sharpen while on the mower.
- To check blade balance, drive a nail into a beam or wall. Leave about one inch of the straight nail exposed. Place center hole of blade over the head of the nail. If blade is balanced, it should remain in a horizontal position. If either end of the blade moves downward, sharpen the heavy end until the blade is balanced.

### GRASS CATCHER

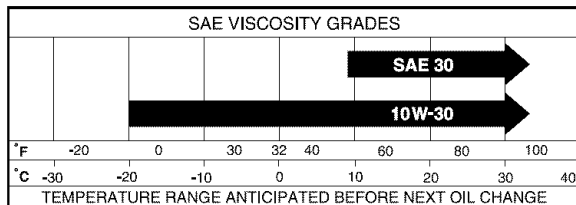
- The grass catcher may be hosed with water, but must be dry when used.
- Check your grass catcher often for damage or deterioration. Through normal use it will wear. If catcher needs replacing, replace only with approved replacement catcher shown in the Repair Parts section of this manual. Give the lawn mower model number when ordering.

## GEAR CASE

- To keep your drive system working properly, the gear case and area around the drive should be kept clean and free of trash build-up. Clean under the drive cover twice a season.
- The gear case is filled with lubricant to the proper level at the factory. The only time the lubricant needs attention is if service has been performed on the gear case.
- If lubricant is required, use only ELF MULTIS EP00. Do not substitute.

## ENGINE LUBRICATION

Use only high quality detergent oil rated with API service classification SF-SJ. Select the oil's SAE viscosity grade according to your expected operating temperature.



**NOTE:** Multi-viscosity oils (5W30, 10W30 etc.) improve starting in cold weather, and you should check your engine oil level frequently to avoid possible engine damage from running low on oil.

Change the oil after every 25 hours of operation or at least once a year if the lawn mower is not used for 25 hours in one year.

Check the crankcase oil level before starting the engine and after each five (5) hours of continuous use. Tighten oil plug securely each time you check the oil level.

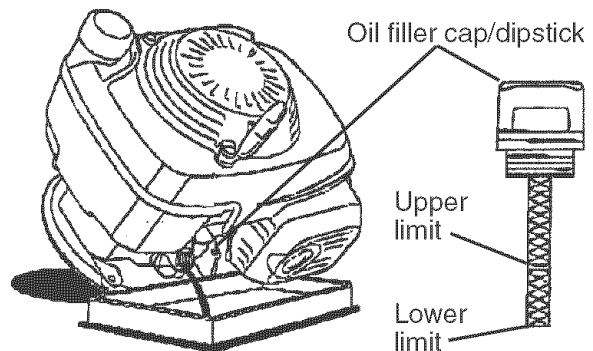
### TO CHANGE ENGINE OIL

**NOTE:** Before tipping lawn mower to drain oil, empty fuel tank by running engine until fuel tank is empty.

1. Disconnect spark plug wire from spark plug and place wire where it cannot come in contact with plug.
2. Remove engine oil cap; lay aside on a clean surface.
3. Tip lawn mower on its side as shown and drain oil into a suitable container. Rock lawn mower back and forth to remove any oil trapped inside of engine.
4. Wipe off any spilled oil from lawn mower or side of engine.
5. Fill engine with oil. The engine oil capacity is 18.5 oz. If oil is not completely drained from engine, you may not need the entire container of a 20 oz. bottle of oil. Slowly pour 3/4 of the

oil from the container down the oil fill spout into the engine.

6. Wait one minute to allow oil to settle. Use gauge on oil fill cap/dipstick for checking level. Insert dipstick into the tube and rest the oil fill cap on the tube. DO NOT thread the cap into the tube when taking reading.
7. Continue adding small amounts of oil and rechecking the dipstick until it reads full. DO NOT overfill, or engine will smoke on startup.
8. Always be sure to retighten oil dipstick before starting engine.
9. Reconnect spark plug wire to plug.



## AIR FILTER

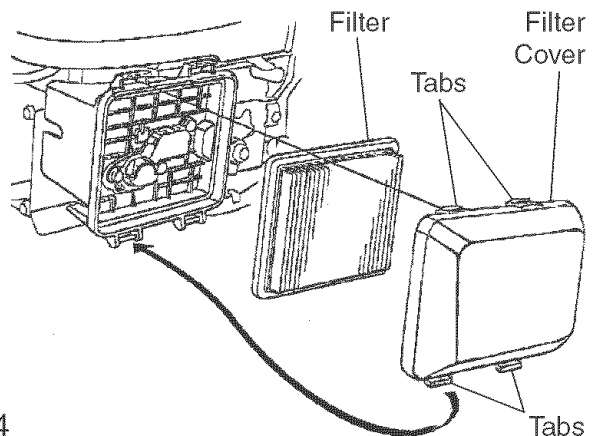
Your engine will not run properly and may be damaged by using a dirty air filter. Replace the air filter every 100 hours of operation or every season, whichever occurs first. Service air cleaner more often under dusty conditions.

### TO CLEAN AIR FILTER

1. Remove cover.
2. Carefully remove cartridge.
3. Clean by gently tapping on a flat surface. If very dirty, replace cartridge.

**CAUTION:** Petroleum solvents, such as kerosene, are not to be used to clean cartridge. They may cause deterioration of the cartridge. Do not oil cartridge. Do not use pressurized air to clean or dry cartridge.

4. Install cartridge, then replace cover.



## MUFFLER

Inspect and replace corroded muffler as it could create a fire hazard and/or damage.

## SPARK PLUG

Replace spark plug at the beginning of each mowing season or after every 100 hours of operation, whichever occurs first. Spark plug type and gap setting are shown in the "PRODUCT SPECIFICATIONS" section of this manual.

## CLEANING

**IMPORTANT:** For best performance, keep mower housing free of built-up grass and trash. Clean the underside of your mower after each use.

**CAUTION:** Disconnect spark plug wire from spark plug and place wire where it cannot come in contact with plug.

- Clean the underside of your lawn mower by scraping to remove build-up of grass and trash.
- Clean engine often to keep trash from accumulating. A clogged engine runs hotter and shortens engine life.
- Keep finished surfaces and wheels free of all gasoline, oil, etc.
- We do not recommend using a garden hose to clean lawn mower unless the electrical system, muffler, air filter and carburetor are covered to keep water out. Water in engine can result in shortened engine life.

## CLEAN UNDER DRIVE COVER

Clean under drive cover at least twice a season. Scrape underside of cover with putty knife or similar tool to remove any build-up of trash or grass on underside of drive cover.

# SERVICE AND ADJUSTMENTS

**WARNING:** To avoid serious injury, before performing any service or adjustments:

1. Release control bar and stop engine.
2. Make sure the blade and all moving parts have completely stopped.
3. Disconnect spark plug wire from spark plug and place wire where it cannot come in contact with plug.

## LAWN MOWER

### TO ADJUST CUTTING HEIGHT

See "TO ADJUST CUTTING HEIGHT" in the Operation section of this manual.

### REAR DEFLECTOR

The rear deflector, attached between the rear wheels of your mower, is provided to minimize the possibility that objects will be thrown out of the rear of the mower into the operator's mowing position. If the deflector becomes damaged, it should be replaced.

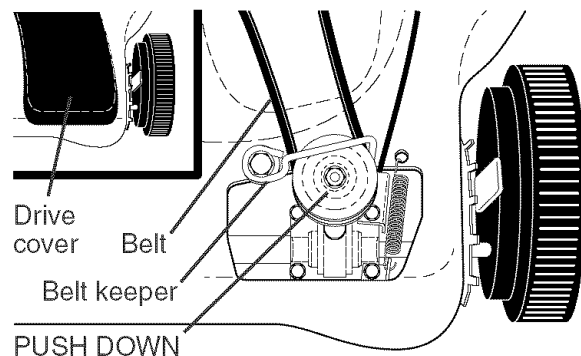
### TO REMOVE DRIVE BELT

1. Remove drive cover and belt keeper.
2. Remove belt from gearcase pulley by pushing down on pulley and rolling belt off it.
3. Turn lawn mower on its side with air filter and carburetor down.
4. Remove blade and debris shield.
5. Remove belt from engine pulley on crankshaft.

### TO REPLACE DRIVE BELT

1. Install new belt on engine pulley.
2. Reinstall debris shield and blade.
3. Return mower to upright position.
4. Install new belt on gearcase pulley.
5. Reinstall belt keeper and drive cover.

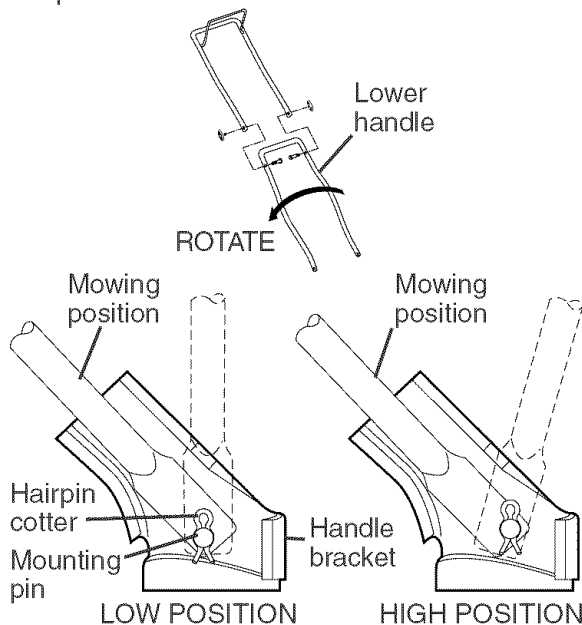
**NOTE:** Always use factory approved belt to assure fit and long life.



## TO ADJUST HANDLE

The handle can be mounted in a high or low position. The mounting holes in the bottom of lower handle are off center for raising or lowering the handle.

1. Remove upper handle and all wire tie(s) securing cable(s) to lower handle.
2. Remove hairpin cotters from lower handle bracket mounting pin.
3. Squeeze lower handle in to remove it from mounting pins.
4. Turn lower handle over to raise or lower handle.
5. Squeeze lower handle in; position holes onto mounting pins on handle bracket.
6. Reassemble upper handle and all parts removed from lower handle.



## ENGINE

Maintenance, repair, or replacement of the emission control devices and systems, which are being done at the customer's expense, may be performed by any non-road engine repair establishment or individual. Warranty repairs must be performed by an authorized engine manufacturer's service outlet.

## ENGINE SPEED

Your engine speed has been factory set. Do not attempt to increase engine speed or it may result in personal injury. If you believe that the engine is running too fast or too slow, take your lawn mower to a Sears or other qualified service center for repair & adjustment.

## CARBURETOR

Your carburetor is not adjustable. If your engine does not operate properly due to suspected carburetor problems, take your lawn mower to a Sears or other qualified service center for repair and/or adjustment.

**IMPORTANT:** Never tamper with the engine governor, which is factory set for proper engine speed. Overspeeding the engine above the factory high speed setting can be dangerous. If you think the engine-governed high speed needs adjusting, contact a Sears or other qualified service center, which has proper equipment and experience to make any necessary adjustments.

## STORAGE

Immediately prepare your lawn mower for storage at the end of the season or if the unit will not be used for 30 days or more.

### LAWN MOWER

When lawn mower is to be stored for a period of time, clean it thoroughly, remove all dirt, grease, leaves, etc. Store in a clean, dry area.

1. Clean entire lawn mower (See "CLEANING" in the Maintenance section of this manual).
2. Lubricate as shown in the Maintenance section of this manual.
3. Be sure that all nuts, bolts, screws, and pins are securely fastened. Inspect moving parts for damage, breakage and wear. Replace if necessary.
4. Touch up all rusted or chipped paint surfaces; sand lightly before painting.

### HANDLE

You can fold your lawn mower handle for storage.

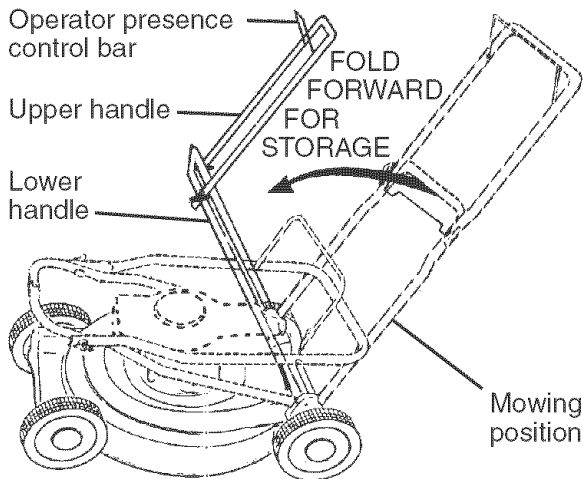
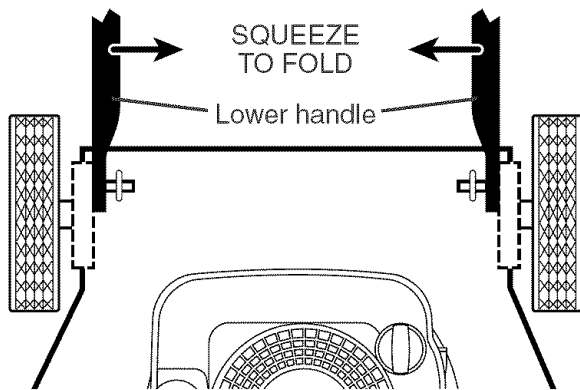
**NOTE:** The upper handle has an "anti-fold" bracket located on the right side of the handle. This bracket prevents the upper handle from folding forward, which helps protect control cable(s) from damage.

1. Squeeze the bottom ends of the lower handle toward each other until the lower handle clears the handle bracket, then move handle forward.
2. Loosen upper handle mounting bolts enough to allow upper handle to be folded back.



**IMPORTANT:** When folding the handle for storage or transportation, be sure to fold the handle as shown or you may damage the control cables.

- When setting up your handle from the storage position, the lower handle will automatically lock into the mowing position.



## ENGINE

### FUEL SYSTEM

**IMPORTANT:** It is important to prevent gum deposits from forming in essential fuel system parts such as carburetor, fuel filter, fuel hose, or tank during storage. Also, alcohol blended fuels (called gasohol or using ethanol or methanol) can attract moisture which leads to separation and formation of acids during storage. Acidic gas can damage the fuel system of an engine while in storage.

- Empty the fuel tank by starting the engine and letting it run until the fuel lines and carburetor are empty.
- Never use engine or carburetor cleaner products in the fuel tank or permanent damage may occur.
- Use fresh fuel next season.

**NOTE:** Fuel stabilizer is an acceptable alternative in minimizing the formation of fuel gum deposits during storage. Add stabilizer to gasoline in fuel tank or storage container. Always follow the mix ratio found on stabilizer container. Run engine at least 10 minutes after adding stabilizer to allow the stabilizer to reach the carburetor. Do not empty the gas tank and carburetor if using fuel stabilizer.

### ENGINE OIL

Drain oil (with engine warm) and replace with clean engine oil. (See "ENGINE" in the Maintenance section of this manual).

### CYLINDER

1. Remove spark plug.
2. Pour one ounce (29 ml) of oil through spark plug hole into cylinder.
3. Pull starter handle slowly a few times to distribute oil.
4. Replace with new spark plug.

### OTHER

- Do not store gasoline from one season to another.
- Replace your gasoline can if your can starts to rust. Rust and/or dirt in your gasoline will cause problems.
- If possible, store your unit indoors and cover it to protect it from dust and dirt.
- Cover your unit with a suitable protective cover that does not retain moisture. Do not use plastic. Plastic cannot breathe, which allows condensation to form and will cause your unit to rust.

**IMPORTANT:** Never cover mower while engine and exhaust areas are still warm.

**CAUTION:** Never store mower with gasoline in the tank inside a building where fumes may reach an open flame or spark. Allow the engine to cool before storing in any enclosure.

**TROUBLESHOOTING - See appropriate section in manual unless directed to a Sears Service Center.**

PROBLEM	CAUSE	CORRECTION
Does not start	<ol style="list-style-type: none"> <li>1. Dirty air filter.</li> <li>2. Out of fuel.</li> <li>3. Stale fuel.</li> <li>4. Water in fuel.</li> </ol>	<ol style="list-style-type: none"> <li>1. Clean/replace air filter.</li> <li>2. Fill fuel tank.</li> <li>3. Empty fuel tank and refill tank with fresh, clean gasoline.</li> <li>4. Empty fuel tank and refill tank with fresh, clean gasoline.</li> </ol>

**TROUBLESHOOTING - See appropriate section in manual unless directed to a Sears Service Center.**

<b>PROBLEM</b>	<b>CAUSE</b>	<b>CORRECTION</b>
<b>Does not start (continued)</b>	<ol style="list-style-type: none"> <li>5. Spark plug wire disconnected.</li> <li>6. Bad spark plug.</li> <li>7. Loose blade or broken blade adapter.</li> <li>8. Control bar in released position.</li> <li>9. Control bar defective.</li> <li>10. Fuel valve lever (if so equipped) in OFF position.</li> <li>11. Weak battery (if equipped).</li> <li>12. Disconnected battery connector (if equipped).</li> </ol>	<ol style="list-style-type: none"> <li>5. Connect wire to spark plug.</li> <li>6. Replace spark plug.</li> <li>7. Tighten blade bolt or replace blade adapter.</li> <li>8. Depress control bar to handle.</li> <li>9. Replace control bar.</li> <li>10. Turn fuel valve lever to the ON position.</li> <li>11. Charge battery.</li> <li>12. Connect battery to engine.</li> </ol>
<b>Loss of power</b>	<ol style="list-style-type: none"> <li>1. Rear of mower housing or blade dragging in grass.</li> <li>2. Cutting too much grass.</li> <li>3. Dirty air filter.</li> <li>4. Buildup of grass, leaves, and trash under mower.</li> <li>5. Too much oil in engine.</li> <li>6. Walking speed too fast.</li> </ol>	<ol style="list-style-type: none"> <li>1. Raise cutting height.</li> <li>2. Raise cutting height.</li> <li>3. Clean/replace air filter.</li> <li>4. Clean underside of mower housing.</li> <li>5. Check oil level.</li> <li>6. Cut at slower walking speed.</li> </ol>
<b>Poor cut – uneven</b>	<ol style="list-style-type: none"> <li>1. Worn, bent or loose blade.</li> <li>2. Wheel heights uneven.</li> <li>3. Buildup of grass, leaves and trash under mower.</li> </ol>	<ol style="list-style-type: none"> <li>1. Replace blade. Tighten bolt.</li> <li>2. Set all wheels to same height.</li> <li>3. Clean underside of mower housing.</li> </ol>
<b>Excessive vibration</b>	<ol style="list-style-type: none"> <li>1. Worn, bent or loose blade.</li> <li>2. Bent engine crankshaft.</li> </ol>	<ol style="list-style-type: none"> <li>1. Replace blade. Tighten bolt.</li> <li>2. Contact a Sears or other qualified service center.</li> </ol>
<b>Starter rope hard to pull</b>	<ol style="list-style-type: none"> <li>1. Engine flywheel brake is on when control bar is released.</li> <li>2. Bent engine crankshaft.</li> <li>3. Blade adapter broken.</li> <li>4. Blade dragging in grass.</li> </ol>	<ol style="list-style-type: none"> <li>1. Depress control bar to upper handle before pulling the starter rope.</li> <li>2. Contact a Sears or other qualified service center.</li> <li>3. Replace blade adapter.</li> <li>4. Move lawn mower to cut grass or to hard surface.</li> </ol>
<b>Grass catcher not filling (If so equipped)</b>	<ol style="list-style-type: none"> <li>1. Cutting height too low.</li> <li>2. Lift on blade worn off.</li> <li>3. Catcher not venting air.</li> </ol>	<ol style="list-style-type: none"> <li>1. Raise cutting height.</li> <li>2. Replace blade.</li> <li>3. Clean grass catcher.</li> </ol>
<b>Hard to push</b>	<ol style="list-style-type: none"> <li>1. Grass is too high or wheel height is too low.</li> <li>2. Rear of mower housing or blade dragging in grass.</li> <li>3. Grass catcher too full.</li> <li>4. Handle height position not right for you.</li> </ol>	<ol style="list-style-type: none"> <li>1. Raise cutting height.</li> <li>2. Raise rear of mower housing one (1) setting higher.</li> <li>3. Empty grass catcher.</li> <li>4. Adjust handle height to suit.</li> </ol>
<b>Loss of drive or slowing of drive speed</b>	<ol style="list-style-type: none"> <li>1. Belt wear.</li> <li>2. Belt off of pulley.</li> <li>3. Drive cable worn or broken.</li> <li>4. “Loose” drive control system.</li> </ol>	<ol style="list-style-type: none"> <li>1. Check/replace drive belt.</li> <li>2. Check/reinstall drive belt.</li> <li>3. Replace drive cable.</li> <li>4. Adjust drive control.</li> </ol>

## TABLA DE MATERIAS

Garantía.....	19	Programa de Mantenimiento .....	29
Reglas de Seguridad.....	19-21	Servicio y Ajustes .....	32-33
Especificaciones del Producto.....	22	Almacenamiento.....	33-34
Montaje / Pre-Operación .....	23	Identificación de problemas.....	34-35
Operación .....	24-28	Servicio Sears .....	36-43
Mantenimiento.....	29-32	Orden de Partes .....	Contratapa

## GARANTÍA

### GARANTÍA LIMITADA DE DOS AÑOS PARA LA SEGADORA A MOTOR CRAFTSMAN

Por dos (2) años, a partir de la fecha de compra, cuando esta Segadora Craftsman se mantenga, lubrique y afine según las instrucciones para la operación y el mantenimiento en el manual del dueño, Sears reparará gratis todo defecto en el material y la mano de obra.

Si la Segadora Craftsman se usa para fines comerciales o de arriendo, esta garantía sólo se aplica por noventa (90) días a partir de la fecha de compra.

Esta Garantía no cubre:

- Artículos que se desgastan durante el uso normal tales como las cuchillas segadoras rotatorias, los adaptadores de la cuchilla, las correas, los filtros de aire y las bujías.
- Reparaciones necesarias debido al abuso o a la negligencia del operador, incluyéndose a los cigüeñales doblados y a la falta de mantenimiento del equipo según las instrucciones que se incluyen en el manual del dueño.

El servicio de garantía esta disponible al devolver la segadora a motor Craftsman al Centro de Servicio Sears mas cercano en los Estados Unidos. Esta garantía se aplica solamente mientras el producto este en uso en los Estados Unidos.

Esta Garantía le otorga derechos legales especificos, y puede que también tenga otros derechos que varían de estado a estado.

Sears, Roebuck and Co., D/817WA, Hoffman Estates, IL 60179 USA

## REGLAS DE SEGURIDAD

**IMPORTANTE:** Esta maquina cortadora es capaz de amputar las manos y los pies y de lanzar objetos. Si no se observan las instrucciones de seguridad siguientes se pueden producir lesiones graves o la muerte.

**⚠** Busque este símbolo que señala las precauciones de seguridad de importancia. Quiere decir – ¡¡¡ATENCIÓN!!! ¡¡¡ESTE ALERTO!!! SU SEGURIDAD ESTA COMPROMETIDA.

**⚠ADVERTENCIA:** Siempre desconecte el alambre de la bujía y póngalo donde no pueda entrar en contacto con la bujía, para evitar el arranque por accidente, durante la preparación, el transporte, el ajuste o cuando se hacen reparaciones.

**⚠ADVERTENCIA:** Los bornes, terminales y accesorios relativos de la batería contienen plomo o compuestos de plomo, productos químicos conocidos en el Estado de California como causa de cáncer y defectos al nacimiento u otros daños reproductivos. **Lavar las manos después de manipularlos.**

**⚠PRECAUCIÓN:** El tubo de escape del motor, algunos de sus constituyentes y algunos componentes del vehículo contienen o desprenden productos químicos conocidos en el Estado de California como causa de cáncer y defectos al nacimiento u otros daños reproductivos.

**⚠PRECAUCIÓN:** El silenciador y otras piezas del motor llegan a ser extremadamente calientes durante la operación y siguen siendo calientes después de que el motor haya parado. Para evitar quemaduras severas, permanezca lejos de estas áreas.



## I. OPERACION

- Antes de empezar, debe familiarizarse completamente con los controles y el uso correcto de la maquina. Para esto, debe leer y comprender todas las instrucciones que aparecen en la maquina y en los manuales de operación.
- No ponga las manos o los pies cerca o debajo de las partes rotatorias. Manténgase siempre lejos de la abertura de la descarga.
- Permita que solamente las personas responsables que estén familiarizadas con las instrucciones operen la máquina.
- Despeje el área de objetos tales como piedras, juguetes, alambres, huesos, palos, etc. que pueden ser recogidos y lanzados por las cuchillas.
- Asegúrese que el área no se hallen personas, antes de segar. Pare la máquina si alguien entra en el área.
- No opere la maquina sin zapatos o con sandalias abiertas. Póngase siempre zapatos sólidos.
- No tire de la segadora hacia atrás a menos que sea absolutamente necesario. Mire siempre hacia abajo y hacia detrás antes y mientras que se mueve hacia atrás.
- No opere la segadora sin los respectivos resguardos, las placas, el recogedor de césped u otros aditamentos diseñados para su protección y seguridad.
- Refiérase a las instrucciones del fabricante para el funcionamiento e instalación de accesorios. Use únicamente accesorios aprobados por el fabricante.
- Detenga la cuchilla o las cuchillas cuando cruce por calzadas, calles o caminos de grava.
- Parar el motor cada vez que se abandona el aparato, antes de limpiar la segadora o de remover residuos del tubo.
- Apagar el motor y esperar hasta que las cuchillas estén completamente paradas antes de remover el receptor de hierba.
- Segar solamente con luz del día o con una buena luz artificial.
- No opere la máquina bajo la influencia del alcohol o de las drogas.
- Nunca opere la maquina cuando la hierba esté mojada. Asegúrese siempre de tener buena tracción en sus pies; mantenga el mango firmemente y camine; nunca corra.
- Desconectar el mecanismo de propulsión autónoma o el embrague de transmisión en las segadoras que lo tienen antes de poner en marcha el motor.
- Si el equipo empezara a vibrar de una manera anormal, pare el motor y revise de inmediato para averiguar la causa. Generalmente la vibración suele indicar que existe alguna avería.
- Siempre use gafas de seguridad o anteojos con protección lateral cuando opere la segadora.

## II. OPERACION SOBRE LAS CUESTAS

Los accidentes ocurren con más frecuencia en las cuestas. Estos accidentes ocurren debido a resbaladas o caídas, las cuales pueden resultar en graves lesiones. Operar la recortadora en cuestas requiere mayor concentración. Si se siente inseguro en una cuesta, no la recorte.

## HACER:

- Puede recortar a través de la superficie de la cuesta, nunca hacia arriba y hacia abajo. Proceda con extrema precaución cuando cambie de dirección en las cuestas.
- Renueva todos los objetos extraños, tales como guijarros, ramas, etc.
- Debe prestar atención a hoyos, baches o protuberancias. Recuerde que la hierba alta puede esconder obstáculos.

## NO HACER:

- No recorte cerca de pendientes, zanjas o terraplenes. El operador puede perder la tracción en los pies o el equilibrio.
- No recorte cuestas demasiado inclinadas.
- No recorte en hierba mojada. La reducción en la tracción de la pisada puede causar resbalones.

## III. NIÑOS

Se pueden producir accidentes trágicos si el operador no presta atención a la presencia de los niños. A menudo, los niños se sienten atraídos por la máquina y por la actividad de la siega. Nunca suponga que los niños van a permanecer en el mismo lugar donde los vio por última vez.

- Mantenga a los niños alejados del área de la siega y bajo el cuidado estricto de otra persona adulta responsable.
- Esté alerta y apague la máquina si hay niños que entran al área.
- Antes y cuando este retrocediendo, mire hacia atrás y hacia abajo para verificar si hay niños pequeños.
- Nunca permita que los niños operen la máquina.
- Tenga un cuidado extra cuando se acerque a esquinas donde no hay visibilidad, a los arbustos, árboles u otros objetos que pueden interferir con su línea de visión.

## IV. SERVICIO

- Tenga cuidado extra al manejar la gasolina y los demás combustibles. Son inflamables y los gases son explosivos.
  - Use solamente un envase aprobado.
  - Nunca remueva la tapa del depósito de gasolina o agregue combustible con el motor funcionando. Permita que el motor se enfríe antes de volver a poner combustible. No fume.
  - Nunca vuelva a poner combustible en la máquina en recintos cerrados.
  - Nunca almacene la máquina o el envase del combustible dentro de algún lugar en donde haya una llama expuesta, tal como la del calentador de agua.
- Nunca haga funcionar una máquina dentro de un área cerrada.
- Nunca haga ajustes o reparaciones mientras el motor esté en marcha. Desconecte el cable de la bujía, y manténgalo a cierta distancia de ésta para prevenir un arranque accidental.
- Mantenga las tuercas y los pernos, especialmente los pernos del accesorio de la cuchilla, apretados y mantenga el equipo en buenas condiciones.

- Nunca manipule de forma indebida los dispositivos de seguridad. Controle regularmente su funcionamiento correcto.
- Mantenga la máquina libre de hierba, hojas u otras acumulaciones de desperdicio. Limpie los derrames de aceite o combustible. Permita que la máquina se enfríe antes de almacenarla.
- Pare e inspeccione el equipo si le pega a un objeto. Repárelo, si es necesario, antes de hacerlo arrancar.
- En ningún caso hay que regular la altura de las ruedas mientras el motor está en marcha.
- Los componentes del receptor de la hierba van sujetos a desgaste, daños y deterioro, que pueden exponer las partes en movimiento o permitir que objetos sean disparados. Controlar frecuentemente y cuando sea necesario sustituir con partes aconsejadas por el fabricante.
- Las cuchillas de la segadora están afiladas y pueden cortar. Cubrir las hojas o llevar guantes, y utilizar precauciones especiales cuando se efectúa mantenimiento sobre las mismas.
- No cambie el ajuste del regulador del motor ni exceda su velocidad.

## ESPECIFICACIONES DEL PRODUCTO

Número de Serie:	
Fecha de Compra:	
Capacidad y Tipo de Gasolina:	1.0 Cuartos (Regular sin Plomo)
Tipo de Aceite (API-SF-SJ):	SAE 10W30
Capacidad de Aceite:	18.5 Onzas
Bujía (Abertura: .030")	NGK BPR6ES
Tolerancia de Válvula ( $\pm$ 0.004 mm)	Admisión: 0.015 mm; Descarga: 0.020 mm
Torsión del Perno de la Cuchilla:	36-44 ft. lbs.
<ul style="list-style-type: none"> <li>• El número del modelo y el de serie se encuentran en la calcomanía adjunta a la parte trasera de la caja de la segadora. Debe registrar tanto el número de serie como la fecha de compra y mantengalos en un lugar seguro para referencia en el futuro.</li> </ul>	

### Acuerdos de Protección para la Reparación

*Congratulations por su buena compra.* Su nuevo producto Craftsman® está diseñado y fabricado para funcionar de modo fiable por muchos años. Pero como todos los productos, puede necesitar alguna reparación de tanto en tanto. En este caso tener un Acuerdo de Protección para la Reparación puede hacerles ahorrar dinero y fastidios.

*Compre ahora un Acuerdo de Protección para la Reparación y protéjese de molestias y gastos inesperados.*

Un Acuerdo incluye los puntos siguientes:

- **Servicio experto** de nuestros 12.000 especialistas profesionales en la reparación.
- **Servicio ilimitado sin cargo alguno** para las partes y la mano de obra sobre todas las reparaciones garantizadas.
- **Sustitución del producto** si su producto garantizado no puede ser arreglado.
- **Descuento del 10%** sobre el precio corriente del servicio y de las partes relativas al servicio no cubiertas por el acuerdo; también el 10% menos sobre el precio corriente de un control de mantenimiento preventivo.

- **Ayuda rápida por teléfono** – soporte telefónico por parte de un técnico Sears sobre productos que requieren un arreglo en casa, y además una programación sobre los arreglos más convenientes.

Cuando se ha comprado el Acuerdo, basta con una llamada telefónica para programar el servicio. Puede llamar cuando quiera, día y noche o fijar en línea una cita para obtener el servicio. Sears tiene más de 12.000 especialistas profesionales en la reparación, que tienen acceso a más de 4.5 millones de partes y accesorios de calidad. Este es el tipo de profesionalidad con que puede contar para ayudar a alargar la vida del producto que acaba de comprar, por muchos años. ¡Compre hoy su Acuerdo de Protección para la Reparación! **Se aplican algunas limitaciones y exclusiones. Para conocer los precios y tener más información, llame al 1-800-827-6655.**

#### Servicio de Instalación Sears

*Para la instalación profesional Sears* de aparatos de casa, puertas de garaje, calentadores de agua y otros importantes artículos para la casa, en U.S.A. llamar a **1-800-4-MY-HOME®**.

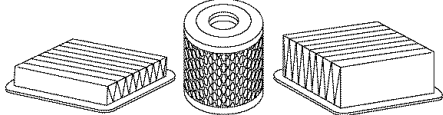
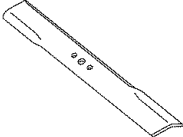
## ACCESORIOS PARA LA SEGADORA

Estos accesorios estaban disponibles cuando se produjo la segadora. **No son facilitados junto al cortacesped.** Están disponibles en la mayoría de las tiendas de Sears y en los centros de servicio. Algunos de estos accesorios tal vez no se apliquen a su segadora.

### RENDIMIENTO DE LA SEGADORA

 <p><b>DESVIADOR DE RECORTES PARA SEGADORAS CON DESCARGA TRASERA</b></p>	 <p><b>ESTABILIZADORES</b></p>	 <p><b>ENVASES DE GASOLINA</b></p>
 <p><b>RECOREDOR PARA SEGADORAS CON DESCARGA TRASERA</b></p>	 <p><b>RECOREDOR PARA SEGADORAS CON DESCARGA LATERAL</b></p>	

### MANTENIMIENTO DE LA SEGADORA

 <p><b>SILENCIADORES</b></p>			 <p><b>FILTROS DE AIRE</b></p>		 <p><b>BUJÍAS</b></p>
 <p><b>CORREAS</b></p>	 <p><b>CUCHILLAS</b></p>	 <p><b>ADAPTADORES DE CUCHILLA</b></p>	 <p><b>RUEDAS</b></p>	 <p><b>ACEITE DEL MOTOR</b></p>	

## MONTAJE / PRE-OPERACIÓN

Lea estas instrucciones y el manual completamente antes de tratar de montar u operar su segadora nueva.

**IMPORTANTE:** Este cortacesped viene SIN ACEITE O GASOLINA en el motor.

Su segadora nueva ha sido montada en la fábrica con la excepción de aquellas partes que se dejaron sin montar por razones de envío. Todas las partes como las tuercas, las arandelas, los pernos, etc., que son necesarias para completar el montaje han sido colocadas en la bolsa de partes. Para asegurarse que su segadora funcione en forma segura y adecuada, todas las partes y los artículos de ferretería que se monten tienen que ser apretados seguramente. Use las herramientas correctas, como sea necesario, para asegurar que se aprieten adecuadamente.

### PARA REMOVER LA SEGADORA DE LA CAJA DE CARTÓN

1. Remueva las partes sueltas que se incluyen con la segadora.
2. Corte las dos esquinas de los extremos de la caja de cartón y tienda el panel del extremo plano.
3. Remueva todo el material de empaque, excepto la cuña entre el mango superior y el inferior, y la cuña que sujeta la barra de los control que exige la presencia del operador junto con el mango superior.
4. Haga rodar la segadora hacia afuera de la caja de cartón y revísela cuidadosamente para verificar si todavía quedan partes sueltas adicionales.

### COMO PREPARAR SU SEGADORA PARA DESDOBLAR EL MANGO

**IMPORTANTE:** Despliegue el mango con mucho cuidado para no pellizcar o dañar los cables de control.

1. Levante los mangos hasta que la sección del mango inferior se asegure en su lugar, en la posición para segar.
2. Remueva la cuña protectora, levante la sección del mango superior hasta su lugar en el mango inferior, y apriete ambas manillas del mango.
3. Remueva la cuña del mango que sujeta la barra de los control que exige la presencia del operador junto con el mango superior.

El mango de la segadora puede ajustarse según le acomode para segar. Refiérase a "AJUSTE DEL MANGO" en la sección de Servicio y Ajustes de este manual.

Barra de control que exige la presencia del operador

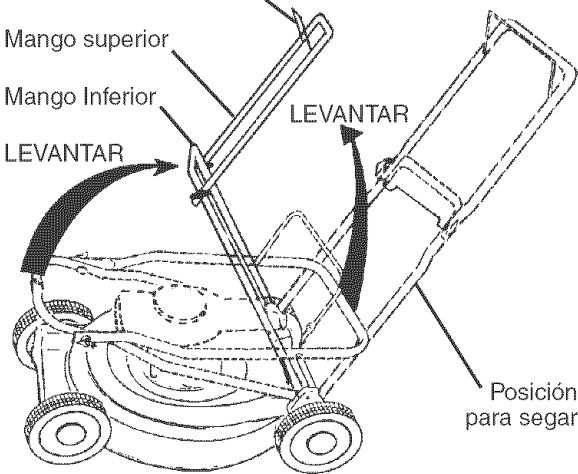
Mango superior

Mango Inferior

LEVANTAR

LEVANTAR

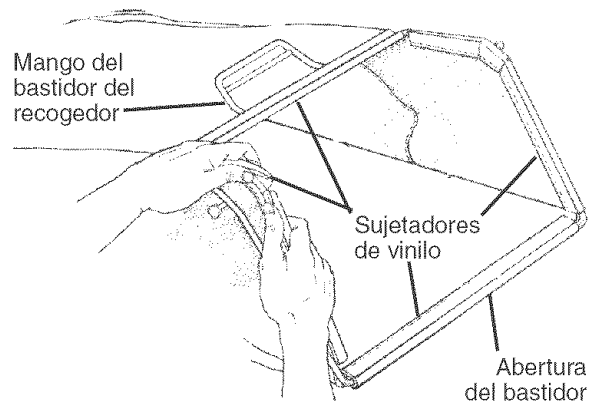
Posición para segar



### PARA MONTAR EL RECOGEDOR DE CÉSPED

1. Ponga el bastidor del recogedor de césped en la bolsa del césped con la parte rígida de la bolsa en la parte inferior. Asegúrese que el mango del bastidor esté en el exterior de la parte superior de la bolsa.
2. Deslice los sujetadores de vinilo sobre el bastidor.

**AVISO:** Si los sujetadores de vinilo están muy duros, métalos en agua caliente por algunos minutos. Si se moja la bolsa, déjela que se seque antes de usarla.



### PARA INSTALAR LOS ACCESORIOS

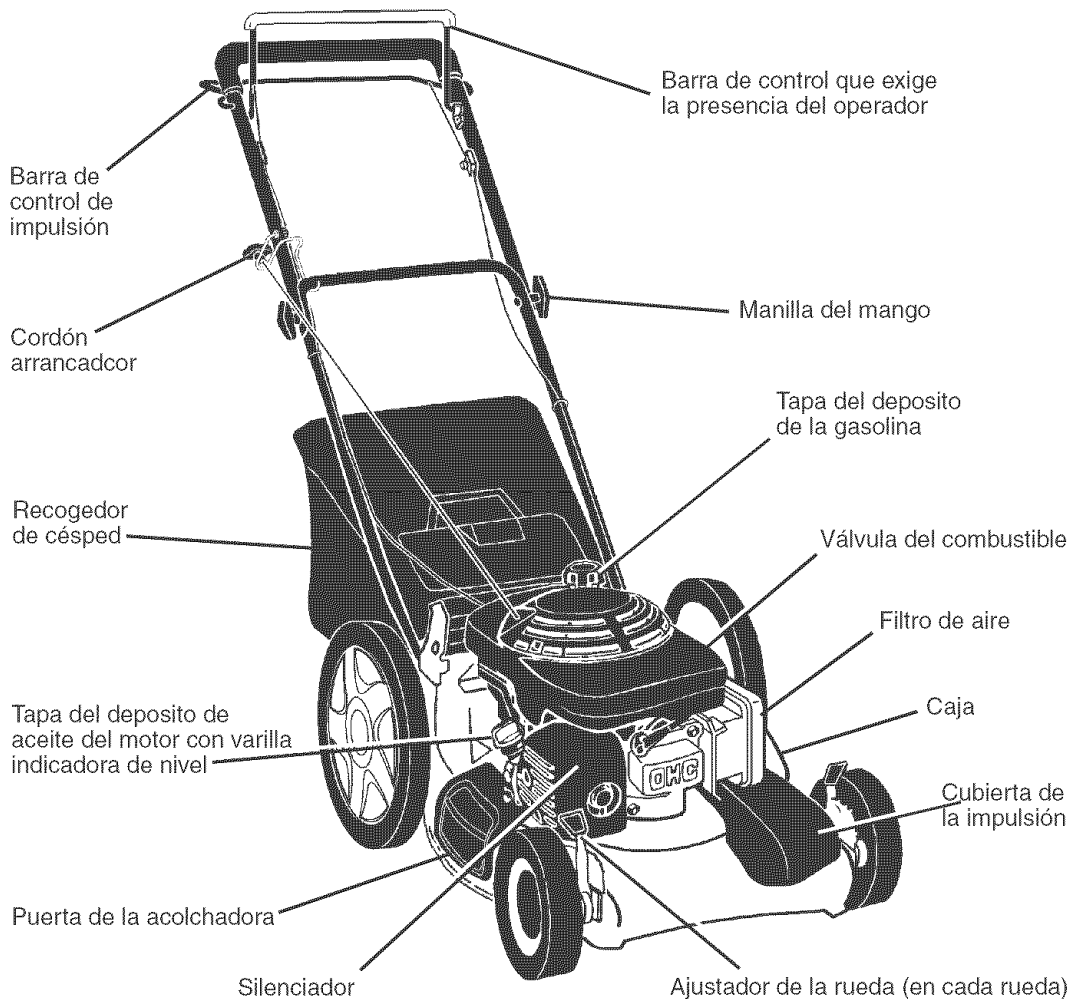
Su segadora fue enviada lista para usarse como una acolchadora de capa vegetal. Para convertirla de modo que pueda ensacar o descargar, refiérase a "PARA CONVERTIR LA SEGADORA" en la sección de Operación de este manual.

# OPERACIÓN

## FAMILIARICESE CON SU SEGADORA

LEA ESTE MANUAL DEL DUEÑO Y LAS REGLAS DE SEGURIDAD ANTES DE OPERAR SU SEGADORA. Compare las ilustraciones con su segadora para familiarizarse con la ubicación de los diversos controles y ajustes. Guarde este manual para referencia en el futuro.

Estos símbolos pueden aparecer sobre su segadora o en la literatura proporcionada con el producto. Aprenda y comprenda sus significados.



**IMPORTANTE:** Este cortacésped viene SIN ACEITE O GASOLINA en motor.

### CUMPLE CON LOS REQUISITOS DE SEGURIDAD DE LA CPSC

Las segadoras a motor, que se conducen desde la parte de atrás, rotatorias, Sears, cumplen con los estándares de seguridad del American National Standards Institute y de la U.S. Consumer Product Safety Commission. La cuchilla gira cuando el motor está funcionando.

**Barra de control que exige la presencia del operado** – tiene que sujetar-se abajo, junto con el mango, para hacer arrancar el motor. Suéltela para parar el motor.

**Cordón arrancador** – se usa para hacer arrancar el motor.

**Barra de control de impulsión** – se usa para enganchar la segadora para movimiento hacia adelante impulsada a motor.

**Puerta de la acolchadora** – permite la conversión para la operación de descarga o ensacado.





La operación de cualquier segadora puede hacer que salten objetos extraños dentro de sus ojos, lo que puede producir daños graves en éstos. Siempre use anteojos de seguridad o protección para los ojos mientras opere su segadora o cuando haga ajustes o reparaciones. Recomendamos gafas o una máscara de seguridad de visión amplia de seguridad usada sobre las gafas.

## COMO USAR SU SEGADORA VELOCIDAD DEL MOTOR

La velocidad del motor se estableció en la fábrica para un rendimiento óptimo. La velocidad no se puede ajustar.

## CONTROL DE ZONA DEL MOTOR

**⚠PRECAUCIÓN:** Las regulaciones federales exigen que se instale un control para el motor en esta segadora para reducir a un mínimo el riesgo de lesionarse debido al contacto con la cuchilla. Por ningún motivo trate de eliminar la función del control del operador. La cuchilla gira cuando el motor está funcionando.

- Su segadora viene equipada con una barra de controles que exigen la presencia del operador, lo que requiere que el operador esté detrás del mango de la segadora para hacerla arrancar y operarla.

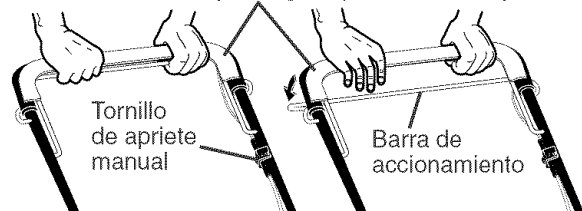
## CONTROL DE LA IMPULSIÓN

- La autopropulsión se controla manteniendo la palanca de mando operador presente abajo hacia el mango y tirando la barra de accionamiento hasta la mango. Cuanto más cercano se tira la barra hacia el mango, más rápida irá la unidad.
- El movimiento hacia adelante se detiene cuando sea la palanca de mando operador presente o la **barra de accionamiento** se sueltan. Para detener el movimiento hacia adelante sin apagar el motor, soltar sólo la barra de accionamiento. Mantener la palanca de mando operador presente abajo contra el mango para continuar a cortar sin autopropulsión.

**AVISO:** Si después haber desenganchado de la palanca de control, la segadora no roda hacia atrás, empuje la segadora un poco hacia adelante para desenganchar las ruedas de la impulsión.

- Para mantener el mando conectado cuando se da la vuelta a una esquina, empujar el mango para levantar las ruedas delanteras del terreno mientras se gira la cortadora.

Barra de control que exige la presencia del operador



PARA ENGANCHAR  
EL CONTROL DE LA  
IMPULSIÓN

CONTROL DE LA  
IMPULSIÓN  
DESENGANCHADO

## AJUSTE DEL MANDO

Ocasionalmente, el sistema de mando puede “aflojarse”, provocando una disminución de la velocidad. Hay un tornillo de apriete manual en la parte trasera de la sede del mando para apretar la tensión del cable. Proceder de la siguiente manera:

1. Apagar la unidad y desconectar el cable de bujía de la bujía.
2. Rote tornillo de apriete manual a la izquierda para tensar el cable impulsor.
3. Opere la segadora para probar la velocidad del mecanismo.
4. Si las condiciones no mejoran después de los pasos descritos (la velocidad hacia adelante queda la misma), la correa de transmisión está desgastada y tiene que ser sustituida.

**AVISO:** Si el segadora comienza “a arrastrarse” delantero, el cable impulsor es demasiado tensado. Rote tornillo de apriete manual a la derecha para aflojar el cable impulsor.

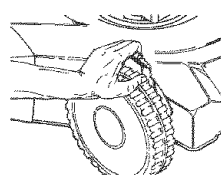
## PARA AJUSTAR LA ALTURA DE CORTE

Levante las ruedas para el corte bajo y baje las ruedas para el corte alto., ajuste la altura de corte para que se acomode a sus requisitos. La posición del medio es la mejor para la mayoría de los céspedes.

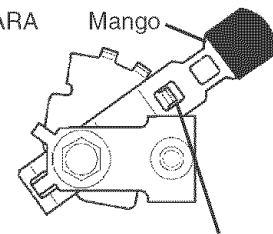
- Para cambiar la altura de corte, empuje la palanca del ajustador hacia la rueda. Mueva la rueda hacia arriba o hacia abajo de modo que se acomode a sus requisitos. Asegúrese que todas las ruedas queden igualmente ajustadas.

**AVISO:** El ajustador esta correctamente colocado cuando las orejas de la placa están insertadas en el agujero del mango. También, los ajustes de 9 posiciones (si equipado) permiten que el mango pueda ser movido entre las orejas de la placa.

PALANCA HACIA ATRÁS PARA  
BAJAR EL CORTACÉSPED



PALANCA HACIA ADELANTE  
PARA LEVANTAR EL CORTACÉSPED



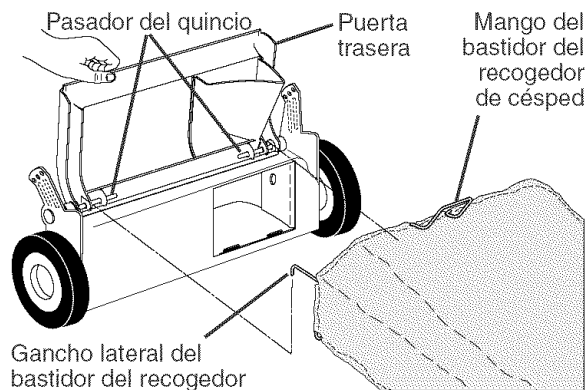
Orejas de  
la placa

## PARA CONVERTIR LA SEGADORA

Su segadora fue enviada lista para usarse como acolchadora de capa vegetal. Para convertir la a una operación de ensacado o de descarga:

### SEGADORAS CON DESCARGA TRASERA

- Levantar la puerta trasera de cortacésped y colocar los ganchos del armazón de la recolectora de hierba en los pasadores del quicio de la puerta.
- Para pasar a la operación de acolchamiento, remover la recolectora de hierba y cerrar la puerta trasera.



### SEGADORAS CON DESCARGA LATERAL

- La puerta trasera tiene que estar cerrada.
- Abra la protección contra la descarga y instale el desviador de la descarga debajo de la protección como se muestra.
- La segadora está lista para la operación de la descarga.
- Para convertir a la operación de ensacado o de descarga, el desviador de la descarga debe ser removido y la protección contra la descarga debe estar cerrada.

### PASOS SIMPLES DE RECORDAR CUANDO CONVIERTA SU SEGADORA PARA ACOLCHAMIENTO -

1. Puerta trasera cerrada.
2. La protección contra la descarga cerrada.

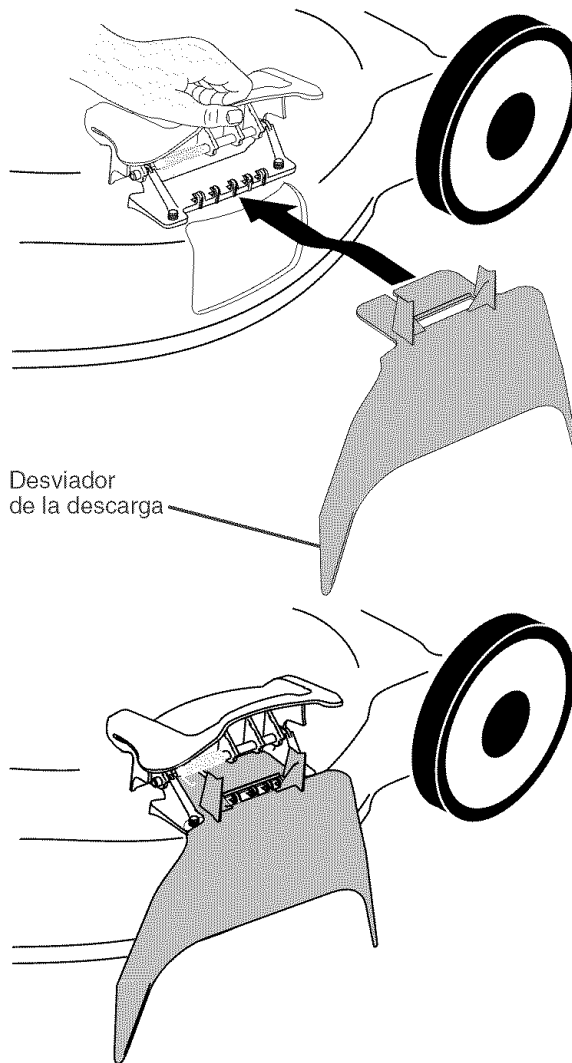
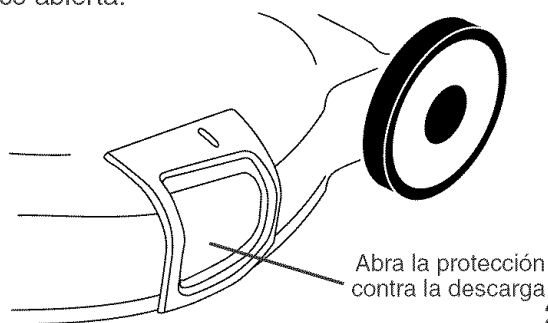
### PARA ENSACAMIENTO TRASERO -

1. La tapón acolchadora trasera removida.
2. La protección contra la descarga cerrada.

### PARA DESCARGA LATERAL-

1. Puerta trasera cerrada.
2. La desviador de la descarga instalada.

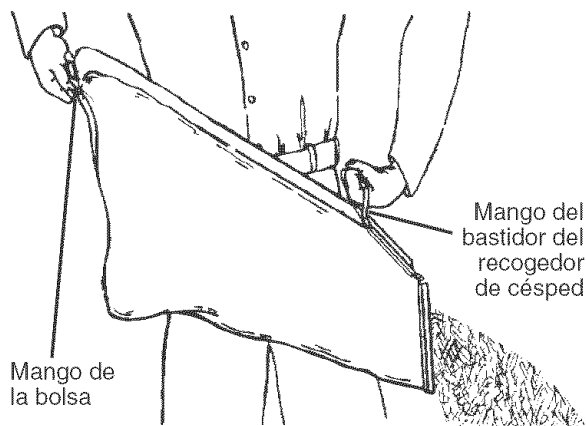
**⚠ PRECAUCIÓN:** No haga funcionar su segadora sin la puerta trasera se cerró o sin el recogedor césped aprobados en su lugar. Nunca trate de operar la segadora cuando se halla removido la puerta trasera o cuando se ha removido a puerta trasera o cuando está un poco abierta.



### PARA VACIAR EL RECOGEDOR DE CÉSPED

1. Levante el recogedor de césped usando el mango del bastidor.
2. Remueva el recogedor de césped, con los recortes, de debajo del mango de la segadora.
3. Vacíe los recortes de la bolsa usando tanto el mango del bastidor como el de la bolsa.

**AVISO:** No arrastre la bolsa cuando la vacíe; se producirá un desgaste innecesario.



## ANTES DE HACER ARRANCAR EL MOTOR

### AGREGUE ACEITE

Su segadora fue enviada sin aceite en el motor. Para el tipo y el grado del aceite a utilizar, vea el "MOTOR" en la sección del Mantenimiento de este manual.

**⚠PRECAUCIÓN:** NO sobrellene el motor con aceite, o fumará pesa demante del silenciador cuando lo valla a arrancar.

1. Asegúrese que la segadora esté nivelada.
2. Remueva la varila medidora de aceite del tubo de descarga de aceite.
3. Usted recibe un envase de aceite con la unidad. Vierta lentamente el envase entero de aceite en el tubo de relleno del motor.
4. Inserte y apriete la varilla medidora de aceite.

### IMPORTANTE:

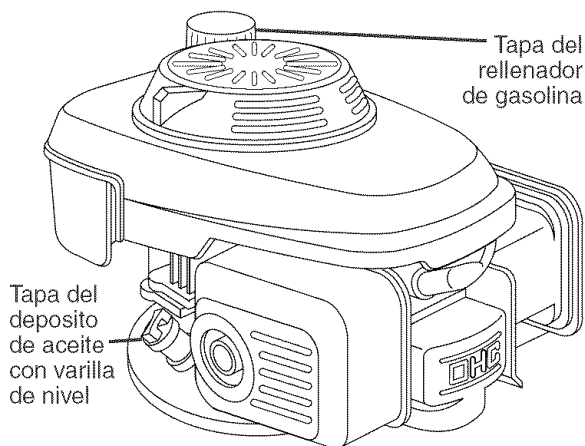
- Revise el nivel del aceite antes de cada uso. Agregue aceite si es necesario. Llene hasta la línea de lleno en la varilla medidora de nivel.
- Cambie el aceite después de 25 horas de operación o una vez por temporada. Puede necesitar cambiar el aceite más a menudo cuando las condiciones son polvorosas o sucias. Vea "PARA CAMBIAR EL ACEITE DEL MOTOR" en la sección de Mantenimiento de este manual.

### AGREGUE GASOLINA

- Llene el estanque de combustible hasta la parte inferior del cuello de relleno del estanque de gasolina. No lo llene demasiado. Use gasolina regular, sin plomo, nueva y limpia con el mínimo de 87 octanos. No mezcle el aceite con la gasolina. Para asegurar que la gasolina utilizada sea fresca compre estanques los cuales puedan ser utilizados durante los primeros 30 días.

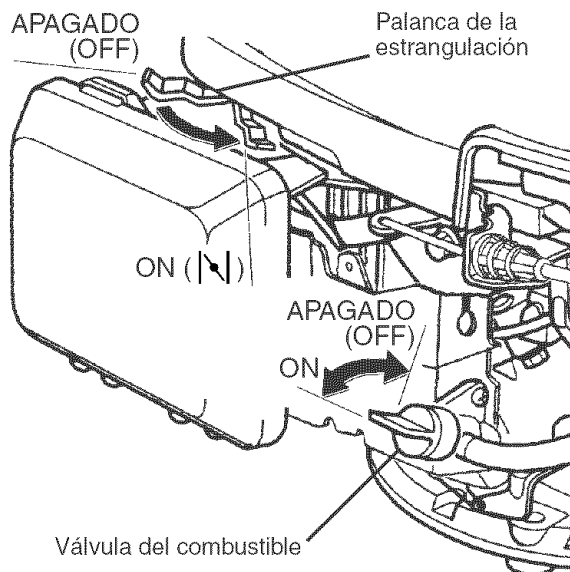
**⚠PRECAUCIÓN:** Limpie el aceite o el combustible derramado. No almacene, derrame o use gasolina cerca de una llama expuesta.

**⚠PRECAUCIÓN:** Los combustibles mezclados con alcohol (conocidos como gasohol, o el uso de etanol o metanol) pueden atraer la humedad, la que conduce a la separación y formación de ácidos durante el almacenamiento. La gasolina acídica puede dañar el sistema del combustible de un motor durante el almacenamiento. Para evitar los problemas con el motor, se debe vaciar el sistema del combustible antes de guardarlo por un período de 30 días o más. Vacíe el estanque del combustible, haga arrancar el motor y hágalo funcionar hasta que las líneas del combustible y el carburador queden vacíos. La próxima temporada use combustible nuevo. Vea las Instrucciones Para El Almacenamiento para más información. Nunca use productos de limpieza para el motor o para el carburador en el estanque del combustible pues se pueden producir daños permanentes.



### PARA PARAR EL MOTOR

- Para parar el motor y si no intenta ponerlo en marcha de nuevo, alivie la barra de control que exige la presencia del operador. Espere hasta que la cuchilla y todas las piezas móviles se hallan parado y mueva la válvula del combustible a la posición APAGADO (OFF).



### PARA HACER ARRANCAR EL MOTOR

**AVISO:** Debido a las capas protectoras del motor, una cantidad pequeña de humo puede estar presente durante el uso inicial del producto y se debe considerar normal.

1. Asegurase que válvula del combustible esté en la posición ON.
2. Mueva la palanca de la estrangulación a la posición de ON (| |).
3. Sujete la barra de controles que exigen la presencia del operador abajo en el mango y tire el mango del arrancador rápidamente. No permita que el cordón arrancador se devuelva abruptamente.

**AVISO:** La palanca de la estrangulación comienza a moverse automáticamente a la posición de APAGADO (OFF) cuando la barra del control de la presencia del operador se mantiene hacia el mango.

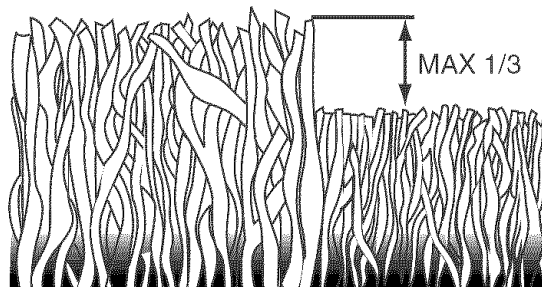
## CONSEJOS PARA SEGAR

- Bajo ciertas condiciones, tal como césped muy alto, puede ser necesario el elevar la altura del corte para reducir el esfuerzo necesario para empujar la segadora y para evitar sobrecargar el motor, dejando montones de recortes de césped. Puede que sea necesario reducir la velocidad del recorrido y/o haga funcionar la segadora sobre el área por segunda vez.
- Para un corte muy pesado, reduzca el ancho del corte pasando parcialmente por encima del lugar anteriormente cortado y siegue lentamente.
- Para un mejor ensacado del césped y para la mayoría de las condiciones de corte, la velocidad del motor debe ajustarse a la posición de rápido.
- Los poros en los recogedores de césped de tela pueden llenarse con mugre y polvo con el uso y los recogedores recaudarán menos césped. Para evitar éste, rocíe el recogedor con la manguera de agua, regularmente, y déjelo secarse antes de usarlo.
- Mantenga la parte superior del motor, alrededor del arrancador, despejada y sin recortes de césped y paja. Esto ayudará el flujo del aire del motor y extenderá su duración.

## CONSEJOS PARA SEGAR Y ACOLCHAR

**IMPORTANTE:** Para obtener el mejor rendimiento mantenga la caja de la segadora sin acumulacion de cesped y basura. Vea "LIMPIEZA" in la seccion Mantenimiento de este manual.

- La cuchilla acolchadora especial va a volver a cortar los recortes de césped muchas veces, y los reduce en tamaño, de modo que si se caen en el césped se van a dispersar entre éste y no se van a notar. También, el césped acolchado se va a deshacer rápidamente entregando sustancias nutritivas para el césped. Siempre acolche con la velocidad del motor (cuchilla) más alta, pues así se obtendrá la mejor acción de recorte de las cuchillas.
- Evite cortar el césped cuando esté mojado. El césped mojado tiende a formar montones e interfiere con la acción de acolchado. La mejor hora para segar el césped es temprano en la tarde. A esa hora éste se ha secado y el área recién cortada no quedará expuesta al sol directo.
- Para obtener los mejores resultados, ajuste la altura del corte de la segadora de modo que ésta corte solamente el tercio superior de las hojas de césped. En el caso de que el césped haya crecido demasiado, puede ser necesario el elevar la altura del corte para reducir el esfuerzo necesario para empujar la segadora y para evitar sobrecargar el motor, dejando montones de recortes de césped. Para un césped muy pesado, reduzca el ancho del corte pasando por encima del lugar anteriormente cortado y siegue lentamente.



- Ciertos tipos de césped y sus condiciones pueden exigir que un área tenga que ser acolchada por segunda vez para esconder completamente los recortes. Cuando se haga el segundo corte, siegue atravesado (en forma perpendicular) a la pasada del primer corte.
- Cambie su patrón de corte de semana a semana. Siegue de norte a sur una semana y luego cambie de este a oeste la próxima semana. Esto evitará que el césped se enrede y cambie de dirección.

# MANTENIMIENTO

PROGRAMA DE MANTENIMIENTO		ANTES DE CADA USO	DESPUES DE CADA USO	CADA 10 HORAS	CADA 25 HORAS O TEMPORADA	CADA 100 HORAS	ANTES DEL ALMACENAMIENTO
SEGA-DORA	Revisar si hay Sujetadores Suelos	✓					✓
	Limpiar/Inspeccionar el Recogedor de Césped *	✓	✓				✓
	Controlar los Neumáticos	✓					
	Controlar las Ruedas Motrices ***	✓					
	Limpiar la Segadora ****		✓				✓
	Limpiar debajo la Cubierta de la Transmisión ***			✓			
	Revisar las Correas y las Poleas Impulsadas ***				✓		
	Revisar / Afilar / Cambiar la Cuchilla				✓ <sup>3</sup>		
MOTOR	Lubricación				✓		
	Limpiar / Recargar la Batería **				✓		✓ <sup>4</sup>
	Revisar el nivel del Aceite	✓ <sup>5</sup>					
	Cambiar el Aceite del motor				✓ <sup>1,2</sup>		
	Limpiar el Filtro de Aire				✓ <sup>2</sup>		
	Inspeccionar el Silenciador				✓		
	Cambiar la Bujía					✓	
	Cambiar el Cartucho de Papel del Filtro de Aire					✓ <sup>2</sup>	
Vaciar el sistema del carburante o añadir un estabilizador de carburante.						✓	

- \* (si viene equipado)      1 - Cambiar más a menudo cuando se opere bajo carga pesada o en ambientes con altas temperaturas.  
 \*\* Segadoras con Arranque Eléctrico      2 - Dar servicio más a menudo cuando se opere en condiciones sucias o polvorosas.  
 \*\*\* Segadoras con Poder Propulsor      3 - Cambie las cuchillas más a menudo cuando siegue en terreno arenoso.  
 \*\*\*\* Utilizar una rasqueta para limpiar debajo de la cubierta del cortacésped      4 - Cargar por 48 horas al fin de la temporada.  
 5 - Y después de 5 horas de funcionamiento.

## RECOMENDACIONES GENERALES

La garantía de esta segadora no cubre los artículos que han estado sujetos al abuso o a la negligencia del operador. Para recibir todo el valor de la garantía, el operador tiene que mantener la segadora según las instrucciones descritas en este manual.

Hay algunos ajustes que se tienen que hacer en forma periódica para poder mantener su unidad adecuadamente.

Al menos una vez cada estación comprobar si es necesario efectuar los ajustes descritos en las secciones de Servicio y Ajustes de este manual.

- Una vez al año, cambie la bujía, limpie o cambie el elemento del filtro de aire y revise si la cuchilla está desgastada. Una bujía nueva y un elemento del filtro de aire limpio/nuevo aseguran la mezcla de aire-combustible adecuada y ayudan a que su motor funcione mejor y que dure más.
- Siga el programa de mantenimiento en este manual.

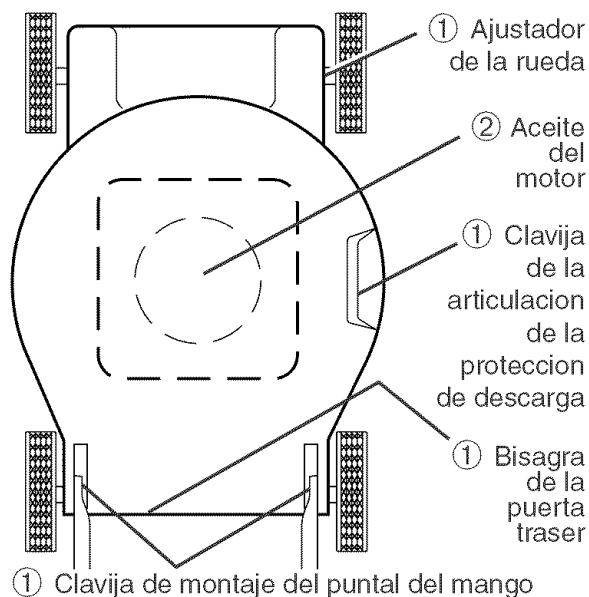
## ANTES DE CADA USO

- Revise el nivel del aceite del motor.
- Revise si hay sujetadores sueltos.

## LUBRICACIÓN

Mantenga la unidad bien lubricada (vea la "TABLA DE LUBRICACIÓN").

## TABLA DE LUBRICACIÓN



① Clavija de montaje del puntal del mango

① Rocíe el lubricante

② Vea "MOTOR" en la sección de Mantenimiento

**IMPORTANTE:** No aceite o engrase los rodamientos de la rueda de plástico. Los lubricantes viscosos atearan polvo y mugre, lo acortara la duracion de los rodamientos autolubricantes. Si cree que tienen que lubricarse, use losamente un lubricante tipo crafito, de polvo seco, en forma moderada.

## SEGADORA

Siempre observe las reglas de seguridad cuando haga el mantenimiento.

### LLANTAS

- Mantenga las llantas sin gasolina, aceite o sustancias químicas para control de insectos que pueden dañar la goma.
- Evite los tocones, las piedras, las grietas profundas, los objetos afilados y otros peligros que pueden dañar a las llantas.

### RUEDAS DE IMPULSIÓN

Revise las ruedas de impulsión delanteras cada vez antes de segar, para asegurarse de que se mueven libremente.

Si las ruedas no giran libremente quiere decir que hay basura, recortes de césped, etc. en el área de las ruedas de impulsión y tienen que limpiarse para liberarlas.

Es necesario limpiar las ruedas de impulsión; revise ambas ruedas delanteras.

1. Remueva los tapacubos, las tuercas de seguridad y las arandelas.
2. Remueva las ruedas de los ajustadores de las ruedas.
3. Remueva la basura y los recortes de césped de dentro de la cubierta contra el polvo, piñón y/o de los dientes de los engranajes de las ruedas de impulsión.
4. Ponga las ruedas de vuelta en su lugar.

**AVISO:** Si después de limpiar las ruedas de impulsión no giran libremente, póngase en contacto con su centro de servicio Sears o con un otro centro de servicio cualificado.

### CUIDADO DE LA CUCHILLA

Para obtener los mejores resultados, la cuchilla de la segadora tienen que mantenerse afilada. Cambie la cuchilla doblada o dañada.

#### PARA REMOVER LA CUCHILLA

1. Desconecte el alambre de la bujía y póngalo en donde no pueda entrar en contacto con ésta.
2. Haga descansar la segadora en su lado. Asegúrese que el filtro de aire y que el carburador queden mirando hacia arriba.
3. Use un bloque de madera entre la cuchilla y la caja de la segadora para evitar que la cuchilla gire cuando se le quite el perno.

**AVISO:** Proteja sus manos con guantes y/o envuelva la cuchilla con una tela gruesa.

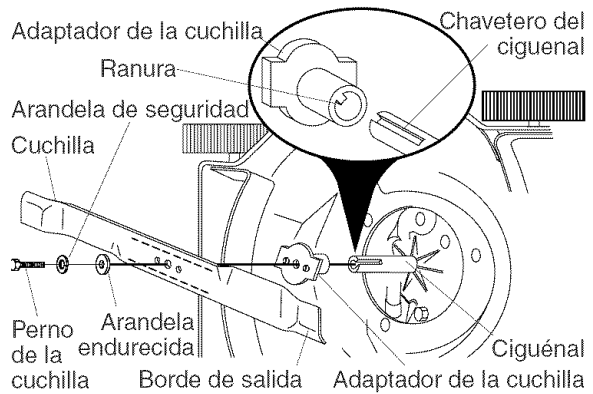
4. Remueva el perno de la cuchilla girándolo en el sentido contrario en que giran las manillas del reloj.
5. Remueva la cuchilla y los artículos de ferretería adjuntadores (el perno, la arandela de seguridad y la arandela endurecida).

**AVISO:** Remueva el adaptador de la cuchilla y revise el cubo interior de la ranura del adaptador de la cuchilla. La ranura tiene que estar en buenas condiciones para que funcione en forma adecuada. Cambie el adaptador si está dañado.

#### PARA CAMBIAR LA CUCHILLA

1. Ponga el adaptador de la cuchilla en el cigueñal del motor. Asegúrese que la ranura del adaptador y que el chavetero del cigueñal estén alineados.
  2. Ponga la cuchilla en el adaptador de ésta alineando los dos (2) agujeros en la cuchilla con las salientes elevadas en el adaptador.
  3. Asegúrese de que el borde de salida de la cuchilla (opuesto al borde afilado) esté hacia arriba hacia el motor.
  4. Instale el perno de la cuchilla con la arandela de seguridad y la arandela endurecida en el adaptador de la cuchilla y el cigueñal.
  5. Use un bloque de madera entre la cuchilla y la caja de la segadora y apriete el perno de la cuchilla girándolo en el sentido en que giran las manillas del reloj.
- La torsión para apretar recomendada es de 35 – 40 pies libras.

**IMPORTANTE:** El perno de la cuchilla es tratado a calo. Si es necesario sustituir los pernos, sustituirlos sólo con pernos aprobados mostrados en la sección Partes de Reparación de este manual.



#### PARA AFILAR LA CUCHILLA

**AVISO:** No recomendamos el afilar la cuchilla – pero si lo hace, asegúrese de que quede balanceada.

Se tiene que tener cuidado de mantenerla balanceada. Una cuchilla que no está balanceada va a producir eventualmente daño en la segadora o en el motor.

- La cuchilla puede afilarse con una lima o en una rueda rectificadora. No trate de afilarla mientras se encuentra en la segadora.
- Para revisar el balance de la cuchilla, clave un clavo en una viga o en la pared. Deje alrededor de una pulgada de un clavo recto expuesto. Ponga el agujero central de la cuchilla sobre la cabeza del clavo. Si la cuchilla está balanceada debe permanecer en la posición horizontal. Si cualquiera de los extremos de la cuchilla se mueve hacia abajo, afile el extremo pesado hasta que ésta quede balanceada.

## RECOGEDOR DE CÉSPED

- El recogedor de césped puede ser rociado con el agua de la manguera pero tiene que estar seco cuando se vaya a usar.
- Revise su recogedor de césped a menudo para verificar si está dañado o deteriorado. Se va a desgastar con el uso normal. Si se necesita cambiar el recogedor, cámbielo solamente por uno que sea aprobado por el fabricante. Dé el número del modelo de la segadora cuando lo ordene.

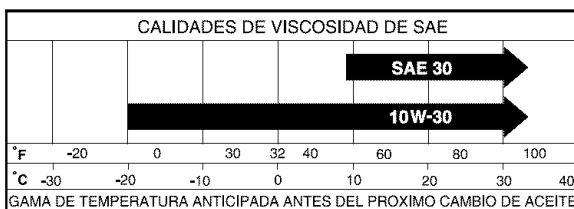
## CAJA DE ENGRANAJES

- Para mantener el sistema de impulsión funcionando en forma adecuada, la caja de engranajes y el área alrededor de la impulsión tienen que mantenerse limpias y sin acumulación de basura. Limpie debajo de la cubierta de la impulsión dos veces por temporada.
- La caja de engranajes se llena con lubricante hasta el nivel adecuado en la fábrica. La única vez que el lubricante necesita atención es cuando se le ha prestado servicio a la caja de engranajes.
- Si se necesita lubricante, use solamente ELF MULTIS EP00. No use substitutos.

## MOTOR

### LUBRICACIÓN

Use solamente aceite de detergente de alta calidad clasificado con la clasificación SF-SJ de servicio API. Seleccione la calidad de viscosidad SAE según su temperatura de operación esperada.



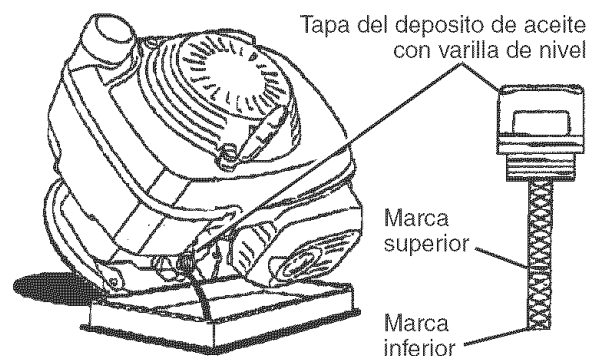
**AVISO:** Los aceites de multiviscosidad (5W30, 10W30, etc.) mejoran el arranque en clima frío, y revise el nivel del aceite del motor menudo, para evitar un posible daño en el motor, debido a que no tiene suficiente aceite.

Cambie el aceite después de 25 horas de operación o por lo menos una vez al año si la segadora se utiliza menos 25 horas el año. Revise el nivel del aceite del cárter antes de arrancar el motor y después de cada cinco (5) horas de uso continuado. Apriete el tapón del aceite en forma segura cada vez que revise el nivel del aceite.

## PARA CAMBIAR EL ACEITE DEL MOTOR

**AVISO:** Antes de inclinar la segadora para drenar el aceite, drene el tanque de combustible haciendo correr el motor hasta que el tanque esté vacío.

1. Desconecte el alambre de la bujía y póngalo de modo que no pueda entrar en contacto con ésta.
2. Remueva la tapa del depósito del aceite; déjela a un lado en una superficie limpia.
3. Incline la cortadora de césped por este costado tal como se muestra y purgue el aceite en un recipiente idóneo. Mueva la segadora de atrás para adelante para remover todo el aceite que se haya quedado atrapado dentro del motor.
4. Limpie todo el aceite derramado en la segadora y en el lado del motor.
5. Rellene el motor con aceite. La capacidad de aceite del motor es de 18.5 oz. Si el aceite no está completamente drenado del motor, no se necesitará el contenedor entero de 20 oz. de aceite. Usted recibe un envase de aceite con la unidad. Vierta lentamente 3/4 de aceite en el tubo de relleno del motor.
6. Permita que el aceite se asiente. Use un medidor en la tapa/varilla indicadora del nivel para relleno del aceite para revisar el nivel. Inserte la varilla indicadora de nivel en el tubo, y haga descansar la tapa del depósito para relleno del aceite en el tubo al leer las medidas. NO enrosque el tapón cuando este tomando una lectura.
7. Continúe agregando cantidades pequeñas de aceite y vuelva a inspeccionar la varilla medidora hasta que lea lleno (FULL). NO sobrellene el motor con aceite, o fuma cuando lo valla a arrancar.
8. Asegúrese de apretar la varilla medidora del aceite antes de arrancar el motor.
9. Vuelva a conectar el alambre de la bujía a ésta.



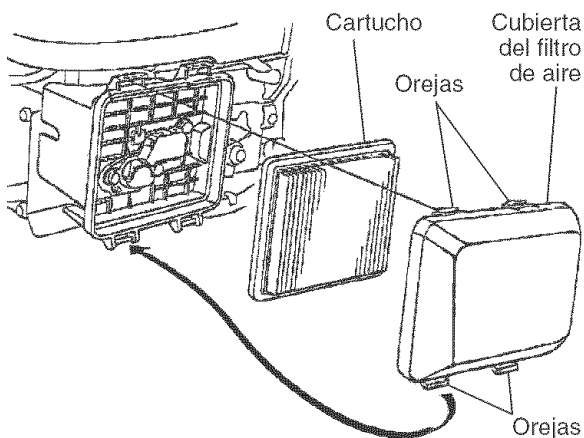
## FILTRO DE AIRE

Su motor puede sufrir averías y funcionar de manera incorrecta con un filtro del aire sucio. Sustituir el papel del cartucho una vez al año o tras 100 horas de funcionamiento, más a menudo si se utiliza en condiciones de suciedad y polvo particulares. No lave el filtro de aire. PARA LIMPIAR EL FILTRO DE AIRE

1. Remueva la cubierta.
2. Cuidadosamente, remueva el cartucho.
3. Límpielo golpeándolo suavemente en una superficie plana. Si está muy sucio cambie el cartucho.

**⚠PRECAUCIÓN:** Los solventes de petróleo, tales como el keroseno, no se deben usar para limpiar el cartucho. Pueden producir el deterioro de éste. No aceite el cartucho. No use aire a presión para limpiarlo o secarlo.

4. Instale el cartucho, luego vuelva a poner la cubierta.



## SILENCIADOR

Inspeccione y cambie el silenciador si está corroído puede producir un peligro de incendio y/o daño.

## BUJÍA

Cambie el bujía al comienzo de cada temporada de siega o después de cada 100 horas de operación, lo que suceda primero. El tipo de bujía y el ajuste de la abertura aparecen en "ESPECIFICACIONES DEL PRODUCTO" sección de este manual.

## LIMPIEZA

**IMPORTANTE:** Para obtener el mejor rendimiento, mantenga la caja de la segadora sin acumulación de césped y basura. Limpin la parte de abajo de su segadora despues de cada uso.

**⚠PRECAUCIÓN:** Desconecte el alambre de la bujía y póngalo en donde no pueda entrar en contacto con ésta.

- Limpie la parte inferior de su segadora raspándola para remover la acumulación de césped y basura.
- Limpie el motor a menudo para evitar que se acumule la basura. Un motor tapado funciona más caliente y se acorta su duración.
- Mantenga las superficies pulidas y las ruedas sin gasolina, aceite, etc.
- No recomendamos el uso de una manguera de jardín para limpiar la segadora a menos que el sistema eléctrico, el silenciador, el filtro de aire y el carburador estén tapados para evitar que les entre el agua. El agua en el motor puede acortar la duración de éste.

## LIMPIE DEBAJO DE LA CUBIERTA DE LA IMPULSIÓN

Limpie debajo de la cubierta de la impulsión por lo menos dos veces cada temporada. Raspe debajo de la cubierta con un cuchillo para masilla o con una herramienta parecida, para remover toda acumulación de césped o basura en la parte inferior de la cubierta de la impulsión.

# SERVICIO Y AJUSTES

**⚠ADVERTENCIA:** Para evitar lesiones serias, antes de dar cualquier servicio o de hacer ajustes:

1. Suelte la barra de control y pare el motor.
2. Asegúrese que la cuchilla y que todas las partes móviles se hayan detenido completamente.
3. Desconecte el alambre de la bujía y póngalo en donde no pueda entrar en contacto con ésta.

## SEGADORA

### PARA AJUSTAR LA ALTURA DE CORTE

Vea "PARA AJUSTAR LA ALTURA DE CORTE" en la sección de Operación de este manual.

## DESVIADOR TRASERO

Se proporciona un desviador trasero, adjunto entre las ruedas traseras de su segadora, para reducir a un mínimo la posibilidad que objetos sean lanzados hacia afuera de la parte trasera de la segadora, en la posición en donde se encuentra el operador. Si se daña el desviador debe cambiarse.

## PARA REMOVER LA CORREA DE IMPULSIÓN

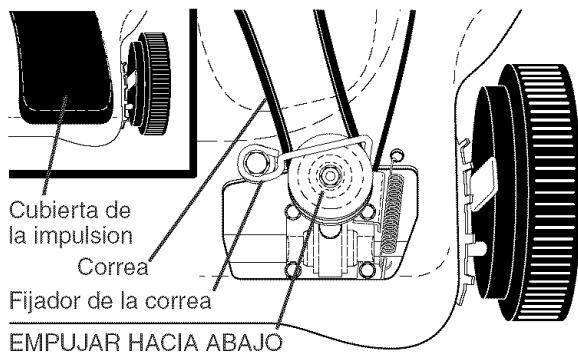
1. Remueva la cubierta de la impulsión y fijador de la correa.
2. Remueva la correa empujando hacia abajo en la polea de la caja de engranajes.
3. Haga descansar la segadora en su lado con el filtro de aire y el carburador mirando hacia arriba.
4. Remueva la cuchilla y la defensa en contra del desperdicio.
5. Remueva la correa de la polea del motor en el cigueñal.

## PARA CAMBIAR LA CORREA DE IMPULSIÓN

1. Instale la correa nueva en la polea del motor.
2. Reinstale la defensa en contra del desperdicio y la cuchilla.
3. Vuelva el cortacéspedes a la posición vertical.
4. Instale la correa nueva en la polea de la caja de engranajes.
5. Reinstale la fijador de la correa y cubierta de la impulsión.

**NOTA:** Siempre use la correa aprobada por la fábrica para asegurarse que calce y dure.

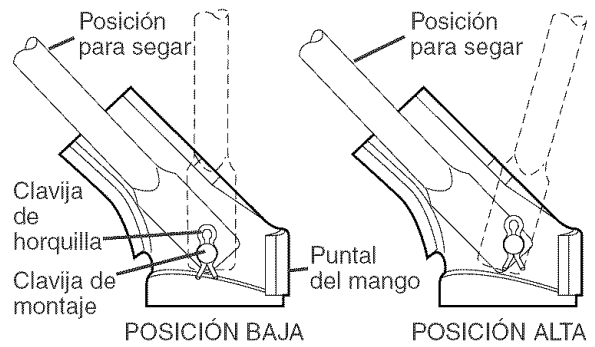
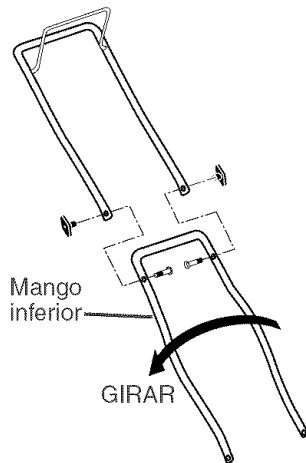




### PARA AJUSTAR EL MANGO

El mango puede ser montado a una posición alta o baja. Los agujeros de montaje en el mango inferior están fuera del centro para levantar y bajar el mango.

1. Remueva el mango superior y conexión(s) el asegurar él (los) cable(s) al mango inferior.
2. Remueva las clavijas de horquilla de la clavija de montaje del puntal del mango.
3. Apreite el mango inferior hacia dentro para removerlo de las clavijas de montaje.
4. Gire el mango inferior por encima para levantar o bajar el mango.
5. Vuelva a montar las clavijas de horquilla por encima de las clavijas de montaje.
6. Vuelva a montar el mango superior y todas las partes removidas del mango inferior.



### MOTOR

El mantenimiento, la reparación, o el reemplazo de cualquier dispositivos o sistemas del control de la emisión, los cuales sean hechos al costo del cliente, pueden ser realizados por cualquier individuo o establecimiento de reparación de motor. Los reparos que caen bajo garantía deben ser realizados por un establecimiento de servicio de reparación de motor autorizado.

### VELOCIDAD DEL MOTOR

La velocidad del motor ha sido ajustada en la fábrica. No trate de aumentar la velocidad del motor pues se pueden producir lesiones personales. Si cree que el motor está funcionando demasiado rápido o demasiado lento, lleve su segadora a mas con su centro de servicio Sears o con un otro centro de servicio cualificado.

### CARBURADOR

Su carburador no es ajustable. Si su motor no está funcionando en forma adecuada debido a problemas que se sospecha vienen del carburador, lleve su segadora a contacto con su centro de servicio Sears o con un otro centro de servicio cualificado para repararla y/o ajustarla. **IMPORTANTE:** Nunca manipule el regulador del motor, el que ha sido ajustado en la fábrica para la velocidad del motor adecuada. Puede ser peligroso hacer funcionar el motor a una velocidad por sobre el ajuste de alta velocidad de la fábrica. Si cree que la velocidad alta regulada del motor necesita ajuste, contacto con su centro de servicio Sears o con un otro centro de servicio cualificado, el que cuenta con el equipo adecuado y la experiencia para hacer los ajustes necesarios.

## ALMACENAMIENTO

Inmediatamente prepare su segadora para el almacenamiento al final de cada temporada o si la unidad no se va a usar por 30 días o más.

### SEGADORA

Cuando se va a guardar la segadora por cierto período de tiempo, límpiela cuidadosamente, remueva toda la mugre, la grasa, las hojas, etc. Guárdela en un área limpia y seca.

1. Limpie toda la segadora (Vea "LIMPIEZA" en la sección de Mantenimiento de este manual).
2. Lubríquela según se muestra en la sección de Mantenimiento de este manual.
3. Asegúrese de que todas las tuercas y clavijas y todos los pernos y tornillos estén apretados en forma segura. Inspeccione las partes que se mueven para verificar si

están dañadas, quebradas o desgastadas. Cámbielas si es necesario.

4. Retoque todas las superficies que estén oxidadas o con la pintura picada; use una lija antes de pintar.

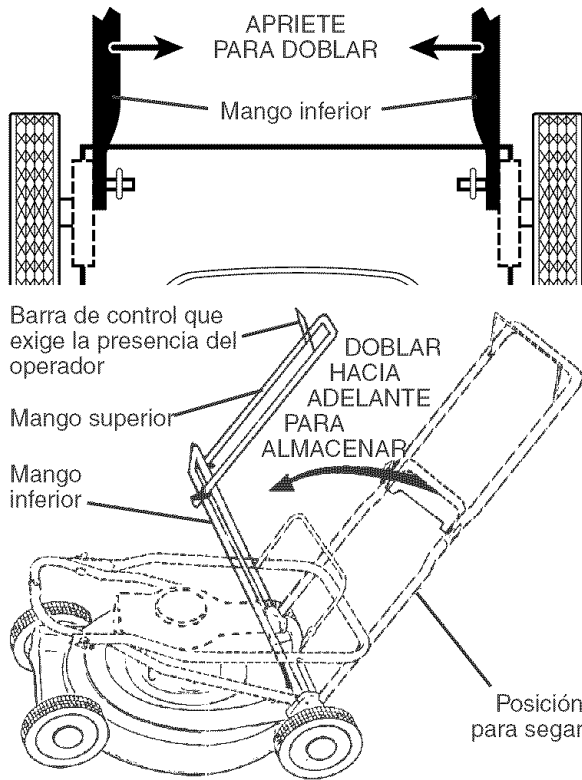
### MANGO

Puede doblar el mango de su segadora para el almacenamiento.

**NOTA:** El mango superior tiene un soporte "contra-dobla" situado en el lado derecho del mango. Este soporte evita que el mango superior doble hacia adelante, lo cual ayuda a proteger él (los) cable(s) de control contra cualquier daño.

1. Apriete los extremos inferiores del mango inferior entre sí hasta que el mango inferior quede separado del puntal del mango, luego muévelo hacia adelante.

- Suelte los pernos de montaje del mango superior lo suficiente como para permitir que el mango superior se pueda doblar hacia atrás. **IMPORTANTE:** Cuando doble el mango para el almacenamiento o el transporte, asegúrese que lo doble según se muestra o puede dañar los cables de control.
- Cuando prepare sus mangos a partir de la posición de almacenamiento, el mango inferior automáticamente se asegurará en la posición para segar.



## MOTOR

### SISTEMA DE COMBUSTIBLE

**IMPORTANTE:** Es importante evitar que se formen depósitos de goma en partes fundamentales del sistema de combustible tales como el carburador, el filtro del combustible, la manguera del combustible o en el estanque durante el almacenamiento. Los combustibles mezclados con alcohol (conocido como gasohol o que tienen etanol o metanol) pueden atraer humedad, lo que conduce a la separación y a la formación de ácidos durante el almacenamiento. La gasolina ácida puede dañar el sistema de combustible de un motor durante el periodo de almacenamiento.

**SOLUCIÓN DE PROBLEMAS - Vea la sección apropiada en el manual amenos que esté dirigido a un centro de servicio Sears.**

PROBLEMA	CAUSA	CORRECCIÓN
No arranca	1. Filtro de aire sucio.	1. Limpie/cambie el filtro de aire.
	2. Sin combustible.	2. Llene el estanque de combustible.
	3. Combustible rancio.	3. Vaciar el estanque y vuelva a llenarlo con combustible limpio y nuevo.
	4. Agua en el combustible.	4. Vaciar el estanque y vuelva a llenarlo con combustible limpio y nuevo.
	5. Alambre de la bujía desconectado.	5. Conecte el alambre a la bujía.

- Vaciar el depósito del carburante poniendo en marcha el motor y dejándolo funcionar hasta que el carburante termine y el carburador esté vacío.
- Nunca use los productos para limpieza del carburador o del motor en el estanque de combustible pues se pueden producir daños permanentes.
- Use combustible nuevo la próxima temporada.

**AVISO:** El estabilizador de combustible es una alternativa aceptable para reducir a un mínimo la formación de depósitos de goma en el combustible durante el período de almacenamiento. Agregue estabilizador a la gasolina en el estanque de combustible o en el envase para el almacenamiento. Siempre siga la proporción de mezcla que se encuentra en el envase del estabilizador. Haga funcionar el motor por lo menos 10 minutos después de agregar el estabilizador, para permitir que este llegue al carburador. No drene la gasolina del estanque de gasolina y el carburador si se está usando estabilizador de combustible.

### ACEITE DEL MOTOR

Drene el aceite (con el motor caliente) y cámbielo con aceite de motor limpio. (Vea "MOTOR" en la sección de Mantenimiento de este manual.)

### CILINDRO

- Remueva la bujía.
- Vacíe 29 ml (una onza) de aceite a través del agujero de la bujía en el cilindro.
- Tire la manilla de arranque lentamente unas cuantas veces para distribuir el aceite.
- Cambie por una bujía nueva.

### OTROS

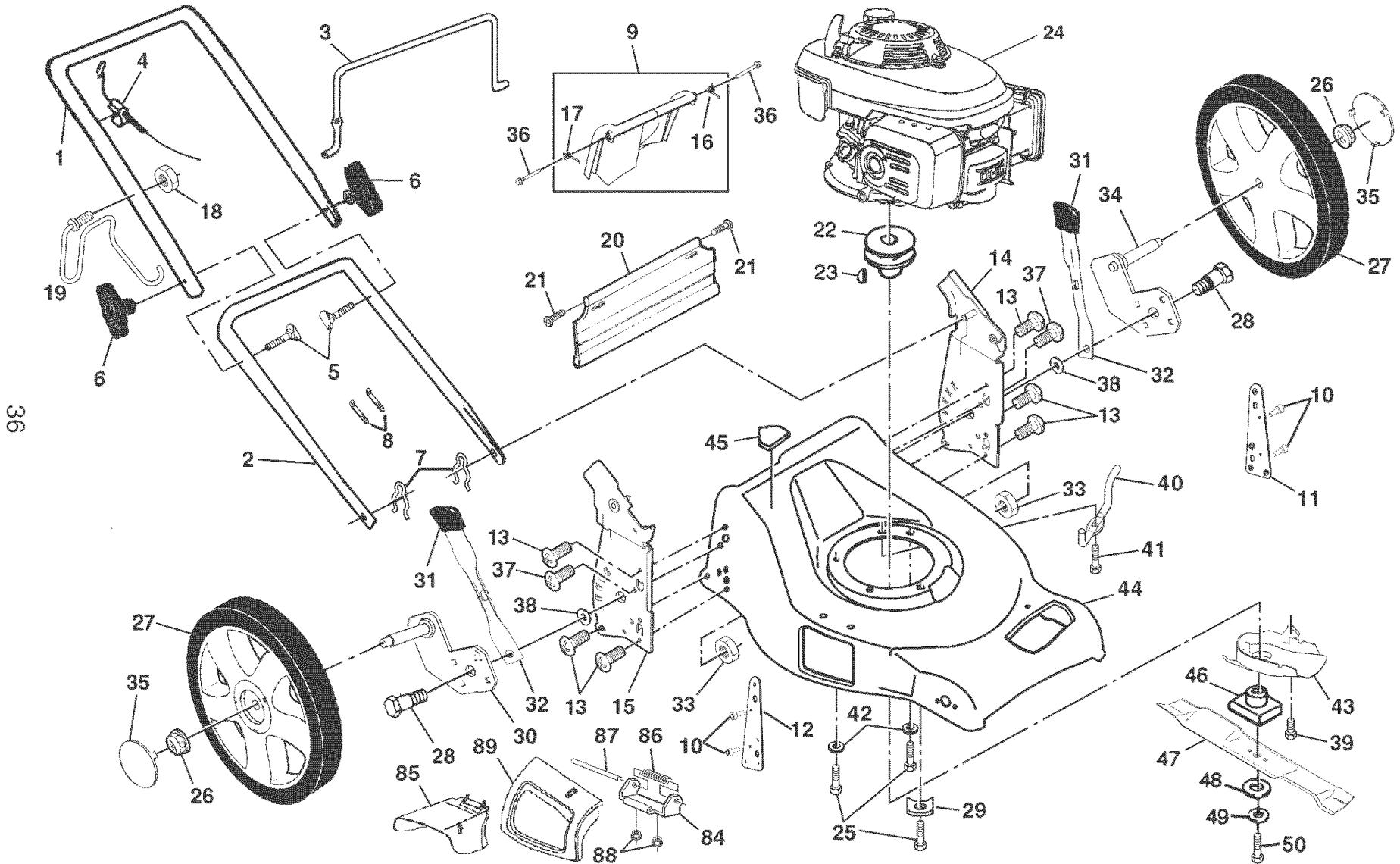
- No guardela gasolina de una temporada a la otra.
- Cambie el envase de la gasolina si se empieza a oxidar. La oxidación y/o la mugre en su gasolina producirán problemas.
- Si es posible, guarde su unidad en un recinto cerrado y cúbrala para protegerla contra el polvo y la mugre.
- Cubra su unidad con un forro protector adecuado que no retenga la humedad. No use plástico. El plástico no puede respirar, lo que permite la formación de condensación, lo que producirá la oxidación de su unidad.

**IMPORTANTE:** Nunca cubra la segadora mientras el motor y las áreas de escape todavía están calientes.

**PRECAUCIÓN:** Nunca almacene la segadora con gasolina en el estanque dentro de un edificio en donde los gases pueden alcanzar una llama expuesta o una chispa. Permita que se enfríe el motor antes de almacenarla en algún recinto cerrado.

<b>PROBLEMA</b>	<b>CAUSA</b>	<b>CORRECCIÓN</b>
<b>No arranca (continuado)</b>	<ol style="list-style-type: none"> <li>6. Bujía mala.</li> <li>7. Cuchilla suelta o adaptador de la cuchilla quebrado.</li> <li>8. Barra de control en la posición suelta.</li> <li>9. Barra de control defectuosa.</li> <li>10. Válvula del combustible (si equipada) está en la posición OFF.</li> </ol>	<ol style="list-style-type: none"> <li>6. Cambie la bujía.</li> <li>7. Apriete el perno de la cuchilla cambie el adaptador de la cuchilla.</li> <li>8. Presione la barra de control hacia el mango.</li> <li>9. Cambie la barra de control.</li> <li>10. Gire a la válvula del combustible a la posición ON.</li> </ol>
<b>Falta de fuerza</b>	<ol style="list-style-type: none"> <li>1. Cuchilla desgastada, doblada o suelta.</li> <li>2. Altura de las ruedas dispereja.</li> <li>3. Velocidad del motor lenta.</li> <li>4. Acumulación de césped, hojas o basura debajo de la segadora.</li> <li>5. Demasiado aceite en motor.</li> <li>6. Velocidad de recorrido demasiado rápida.</li> </ol>	<ol style="list-style-type: none"> <li>1. Eleve la altura de corte.</li> <li>2. Eleve la altura de corte.</li> <li>3. Limpie/cambie el filtro de aire.</li> <li>4. Limpie la parte inferior de la caja de la segadora.</li> <li>5. Revise el nivel del aceite.</li> <li>6. Corte a una velocidad de recorrido más lenta.</li> </ol>
<b>Mal corte-disparejo</b>	<ol style="list-style-type: none"> <li>1. Cuchilla desgastada, doblada o suelta.</li> <li>2. Altura de las ruedas dispereja.</li> <li>3. Acumulación de césped, hojas o basura debajo de la segadora.</li> </ol>	<ol style="list-style-type: none"> <li>1. Cambie la cuchilla. Apriete el perno de la cuchilla.</li> <li>2. Ajuste todas las ruedas a la misma altura.</li> <li>3. Limpie la parte inferior de la caja de la segadora.</li> </ol>
<b>Vibración excesiva</b>	<ol style="list-style-type: none"> <li>1. Cuchilla desgastada, doblada o suelta.</li> <li>2. Cigüeñal del motor doblado.</li> </ol>	<ol style="list-style-type: none"> <li>1. Cambie la cuchilla. Apriete el perno de la cuchilla.</li> <li>2. Póngase en contacto con su centro de servicio Sears o con un otro centro de servicio cualificado.</li> </ol>
<b>Cordón arrancador difícil de tirar</b>	<ol style="list-style-type: none"> <li>1. El freno del volante del motor está aplicado cuando se suelta la barra de control.</li> <li>2. Cigüeñal del motor doblado.</li> <li>3. Adaptador de la cuchilla quebrado.</li> <li>4. La cuchilla se arrastra en el césped.</li> </ol>	<ol style="list-style-type: none"> <li>1. Presione la barra de control hacia el mango superior antes de tirar el cordón arrancador.</li> <li>2. Póngase en contacto con su centro de servicio Sears o con un otro centro de servicio cualificado.</li> <li>3. Cambie el adaptador de la cuchilla.</li> <li>4. Mueva la segadora a un lugar en donde el césped ha sido cortado o a una superficie firme para hacer arrancar el motor.</li> </ol>
<b>Recogedor de césped no se llena (si viene equipado)</b>	<ol style="list-style-type: none"> <li>1. Altura de corte demasiado baja.</li> <li>2. Levantamiento de la cuchilla desgastado.</li> <li>3. Recogedor sin ventilación de aire.</li> </ol>	<ol style="list-style-type: none"> <li>1. Eleve la altura de corte.</li> <li>2. Cambie las cuchillas.</li> <li>3. Limpie el recogedor de césped.</li> </ol>
<b>Difícil de empujar</b>	<ol style="list-style-type: none"> <li>1. El césped está demasiado alto o la altura de la rueda demasiado baja.</li> <li>2. Parte trasera de la caja/cuchilla de la segadora arrastrándose en el césped.</li> <li>3. Recogedor de césped demasiado lleno.</li> <li>4. Posición de la altura del mango no adecuada para usted.</li> </ol>	<ol style="list-style-type: none"> <li>1. Eleve la altura de corte.</li> <li>2. Eleve la parte trasera de la caja de la segadora (1) un lugar más alto.</li> <li>3. Vacíe el recogedor de césped.</li> <li>4. Ajuste la altura del mango de modo que le acomode.</li> </ol>
<b>Pérdida de impulsión o retardase de la velocidad</b>	<ol style="list-style-type: none"> <li>1. Desgaste de la correa.</li> <li>2. La correa está fuera de la polea.</li> <li>3. Cable de la impulsión usado o roto.</li> <li>4. El sistema de control del mecanismo impulsor "suelto".</li> </ol>	<ol style="list-style-type: none"> <li>1. Revise/cambie correa de impulsión.</li> <li>2. Revise/vuelva a instalar la</li> <li>3. Cambie el cable de la impulsión.</li> <li>4. Ajuste el control del mecanismo impulsor.</li> </ol>

CRAFTSMAN ROTARY LAWN MOWER - - MODEL NUMBER 917.378960



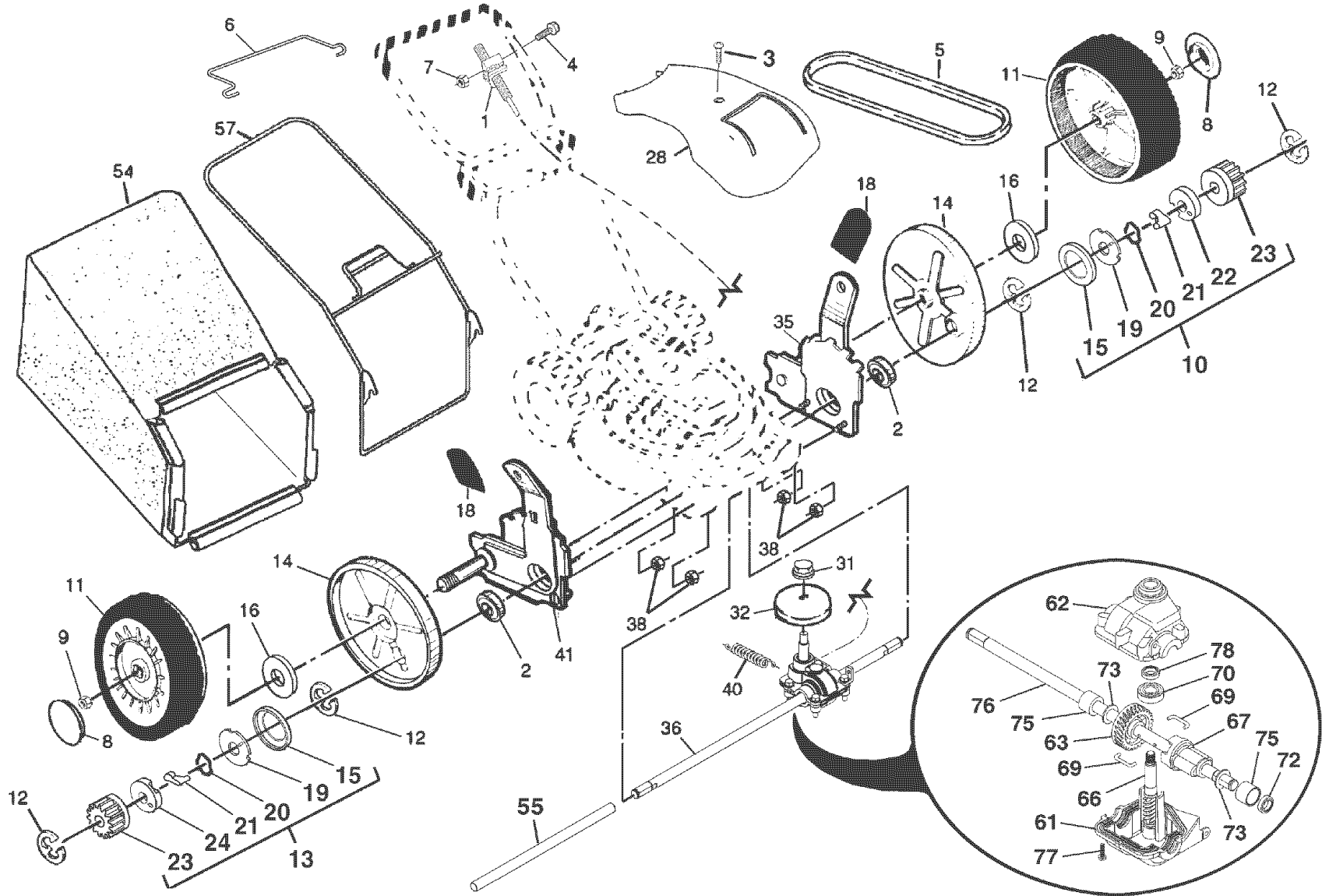
36

REPAIR PARTS

## CRAFTSMAN ROTARY LAWN MOWER - - MODEL NUMBER 917.378960

KEY NO.	PART NO.	DESCRIPTION	KEY NO.	PART NO.	DESCRIPTION
1	185508X479	Upper Handle	35	185573	Hubcap
2	151721X479	Lower Handle	36	184193	Bolt
3	182810	Control Bar	37	150078	Thread Cutting Screw w/Sems 5/16-18 x 3/4
4	182755	Engine Zone Control Cable	38	183901	Washer
5	131959	Handle Bolt	39	188040	Screw
6	136376	Handle Knob	40	188102	Mounting Bracket, Debris Shield
7	51793	Hairpin Cotter	41	173715	Screw
8	66426	Wire Tie	42	851074	Hardened Washer
9	180479	Rear Door Kit (Includes Key #16 and 17)	43	187038	Debris Shield
10	128415	Pop Rivet	44	181577	Lawn Mower Housing (Includes Key Numbers 10, 11, 12 and 45)
11	175069X479	Support Bracket, LH	45	85463	Danger Decal
12	175070X479	Support Bracket, RH	46	184590	Blade Adapter
13	17060410	Screw 1/4-20 x 5/8	47	189028	Blade, 21"
14	175576X479	Handle Bracket Assembly, LH	49	850263	Helical Washer 3/8-24 x 1-3/8 Grade 8
15	175577X479	Handle Bracket Assembly, RH	50	851084	Screw, Hex Head 3/8-24 x 1
16	180071	Spring, LH	51	850733X004	Bracket, Upstop
17	180072	Spring, RH	52	750634	Screw
18	132004	Nut, Hex	84	175735	Hinge Bracket
19	186079	Rope Guide / Anti-Fold Bracket	85	175071	Discharge Deflector
20	189005	Rear Skirt	86	175285	Spring
21	88652	Hinge Screw 1/4-20 x 1-1/4	87	175650	Rod, Hinge
22	185005	Engine Pulley	88	73800400	Nut, Hex
23	187723	Hi-Pro Key	89	175066	Mulcher Door
24	---	Engine, Honda, Model Number GCV160-AS3A (See Breakdown)	--	161058	Warning Decal (not shown)
25	150406	Hex Head Thread Rolling Screw 3/8-16	--	189452	Owner's Manual
26	83923	Hex Flange Nut	Available accessories not included with lawn mower:		
27	189424	Wheel	71	33623	Gas Can (2.5 Gallon container)
28	160828	Shoulder Bolt 5/16-18 x .33	71	33500	Fuel Stabilizer
29	851201X004	Washer, Engine, BZP	71	33000	SAE 30W Oil (20 Ounce bottle)
30	175574X004	Axle Arm Assembly, RR	<b>NOTE:</b> All component dimensions given in U.S. inches. 1 inch = 25.4 mm		
31	189808X428	Selector Knob			
32	175053X004	Selector Spring			
33	73800500	Nut, Hex 5/16-18			
34	175575X004	Axle Arm Assembly, LR			

CRAFTSMAN ROTARY LAWN MOWER - - MODEL NUMBER 917.378960



## CRAFTSMAN ROTARY LAWN MOWER - - MODEL NUMBER 917.378960

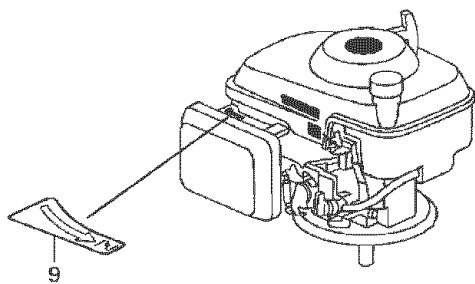
KEY NO.	PART NO.	DESCRIPTION
1	189182	Vari-Speed Drive Control Assembly
2	169911	Bearing, Wheel Adjuster
3	175262	Pan Head Tapping Screw #10-24 x 2-3/4
4	185681	Screw
5	169778	V-Belt
6	188952X428	Bar, Control, Drive
7	751152	Nut, Hex
8	180626	Hubcap
9	145212	Locknut
10	188331	Pinion Assembly, LH
11	180767	Wheel & Tire Assembly
12	12000058	E-Ring
13	188330	Pinion Assembly, RH
14	189403	Dust Cover
15	184172	Seal, Friction
16	67725	Washer, Flat 3/8
18	701037	Selector Knob
19	175104	Disc, Drive
20	188291	Spring, Torsion
21	175098	Pawl
22	175105	Retainer, Drive, LH
23	175103	Gear, Pinion
24	175102	Retainer, Drive, RH
28	175065	Drive Cover
31	132010	Hex Flange Nut
32	189406	Drive Pulley
35	180915	Kit, Wheel Adjuster, LH (Includes Knob and Bearing)

KEY NO.	PART NO.	DESCRIPTION
36	187212	Gear Case Assembly, Complete
38	73800400	Locknut 1/4-20
40	182226	Spring
41	180914	Kit, Wheel Adjuster, RH (Includes Knob and Bearing)
54	189255	Grassbag Assembly
55	175739	Driveshaft Cover
57	188815	Frame, Grassbag
61	187525	* Case, Lower
62	187526	* Case, Upper
63	183499	Gear, 27 Teeth
66	187527	Shaft, Input
67	187528	Spacer
69	183505	Wire, Formed
70	183506	Bearing, Ball
72	183508	Seal, Output Shaft
73	183509	Washer
75	183511	Bushing
76	187529	Shaft, Output
77	183513	Screw
78	183514	Seal, Input Shaft

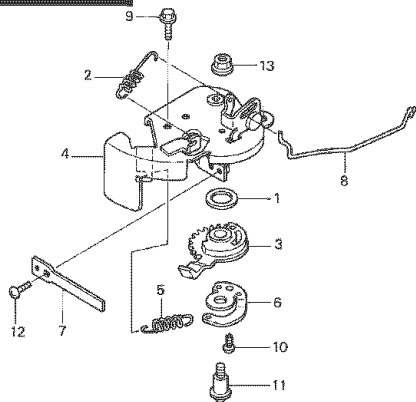
\* Use Dow Corning #709 to reseal Gear Case Halves.

**NOTE:** All component dimensions given in U.S. inches.  
1 inch = 25.4 mm

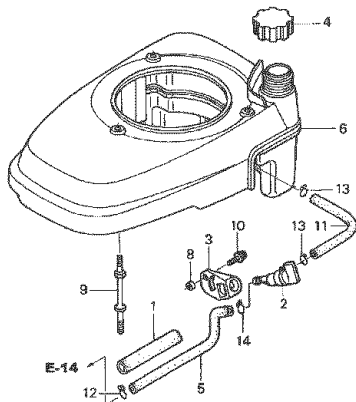
LABEL



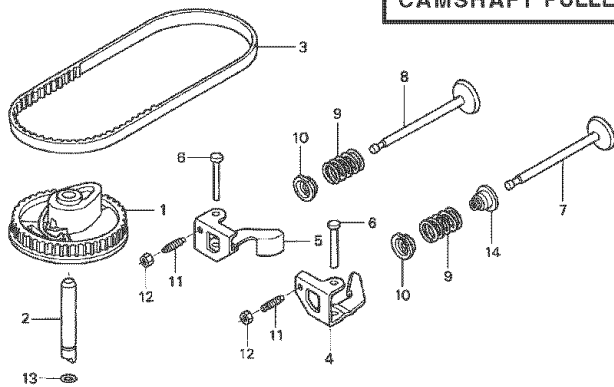
CHOKE



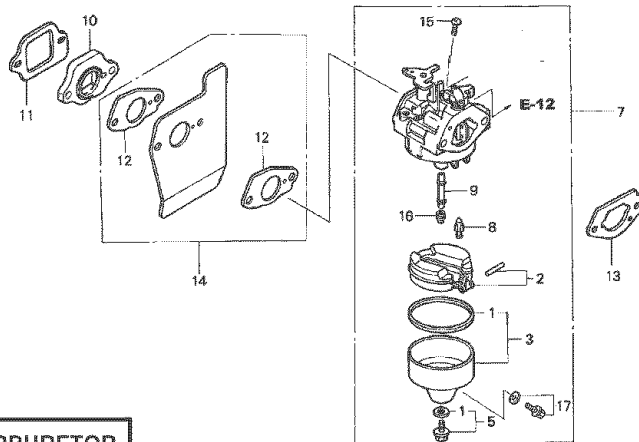
FAN COVER



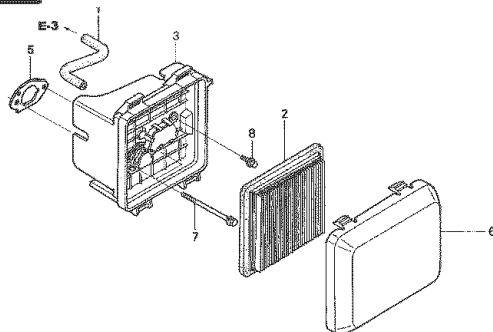
CAMSHAFT PULLEY



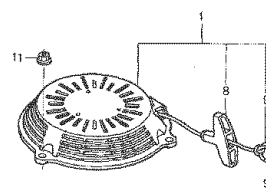
CARBURETOR



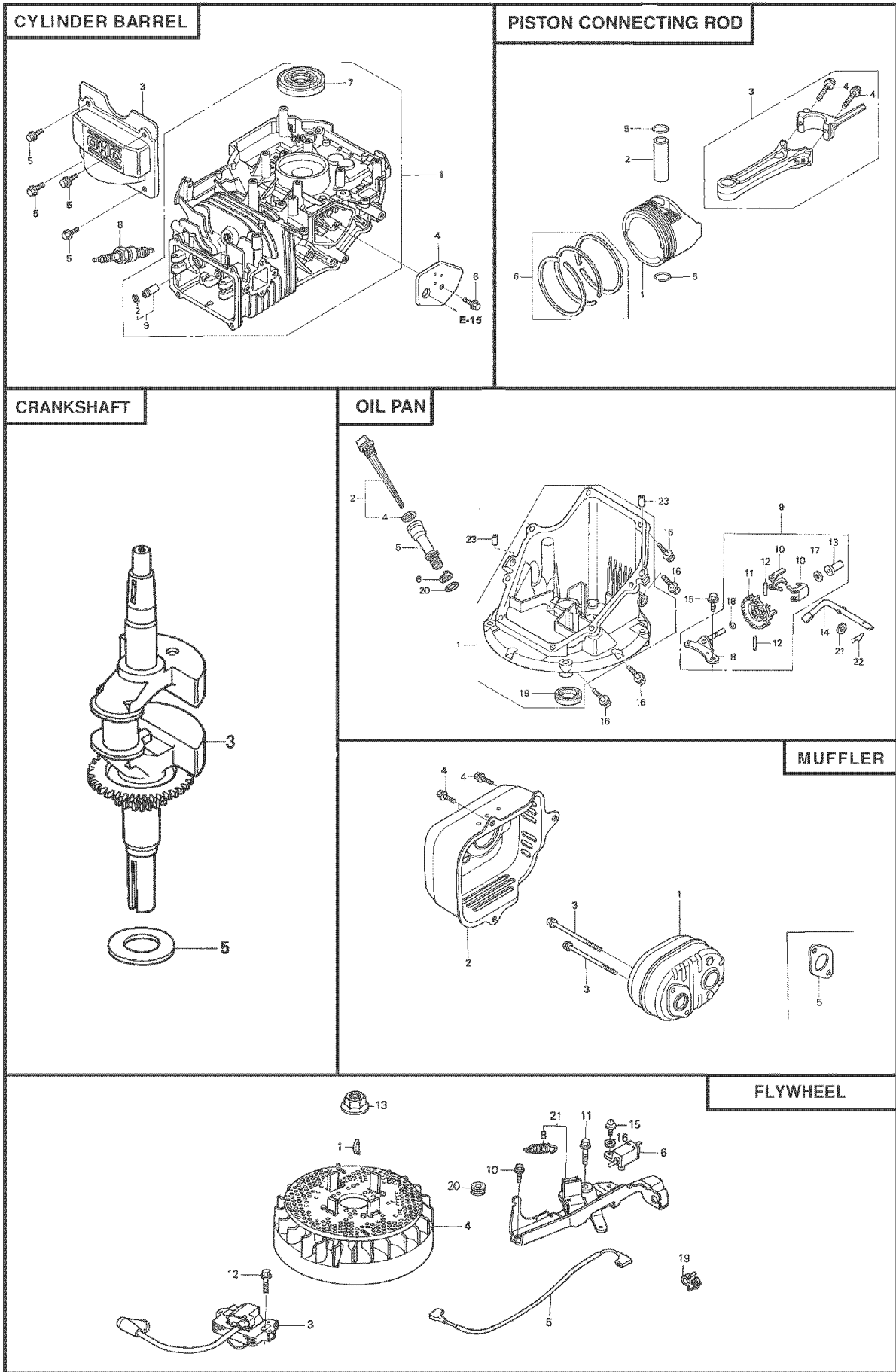
AIR CLEANER



RECOIL STARTER







**LABELS**

KEY NO.	PART NO.	DESCRIPTION
9	7400187	Mark, Choke Indication

**CHOKE**

KEY NO.	PART NO.	DESCRIPTION
1	7257157	Seal, Choke Lever
2	4209581	Spring, Cable Return
3	7257165	Lever, Choke
4	7257173	Base Comp., Choke
5	7257181	Spring, Choke Lever
6	7257199	Hook, Choke Spring
7	7257207	Plate, Choke
8	7229867	Rod, Stop
9	0747733	Bolt, Flange #6 x 16
10	3674413	Screw, Tapping #4 x 8 (PO)
11	2544690	Screw, Pan Head #5 x 19
12	0369017	Screw, Pan Head #4 x 8
13	0636951	Nut, Flange 5 mm

**FAN COVER**

KEY NO.	PART NO.	DESCRIPTION
1	3683646	Rubber Supporter (107 mm)
2	7357379	Cock Assembly, Fuel
3	5189352	Bracket, Fuel Cock
4	6673289	Cap Assembly, Fuel Tank
5	5580469	Tube, Fuel
6	7399371	Cover Comp., Fan (T89)
8	6978399	Collar, Fuel Cock
9	5581004	Bolt, Stud
10	0671636	Screw, Washer Head #5 x 10
11	6754279	Tube, Fuel Tank
12	0250647	Clip, Tube (B8)
13	0250985	Clip, Tube (1310)
14	0053447	Clip, Tube (C9)

**AIR CLEANER**

KEY NO.	PART NO.	DESCRIPTION
1	5720289	Tube, Breather
2	6718159	Element, Air Cleaner
3	5580410	Case Assembly, Air Cleaner
5	5664560	Packing, Air Cleaner
6	6673255	Cover, Air Cleaner
7	5580964	Bolt, Flange #6 x 86 (CT200)
8	2374742	Bolt, Flange #6 x 14

**CAMSHAFT PULLEY**

KEY NO.	PART NO.	DESCRIPTION
1	7049679	Pulley Comp., Camshaft
2	5580063	Shaft, Cam Pulley
3	7058985	Belt, Timing (84HU7 G200)
4	5580089	Rocker Arm, Intake Valve
5	5580097	Rocker Arm, Exhaust Valve
6	5580105	Shaft, Rocker Arm
7	5580113	Valve, Intake
8	5580121	Valve, Exhaust
9	5580139	Spring, Valve
10	1426980	Retainer, Intake Valve Spring
11	0294819	Screw, Tappet Adjusting
12	0004598	Nut, Tappet Adjusting
13	6315873	ORing 6.8 x 1.9 (ARAI)
14	6839831	Seal, Valve Stem

**CARBURETOR**

KEY NO.	PART NO.	DESCRIPTION
1	3088416	Packing Set
2	5580162	Float Set
3	3465879	Chamber Set, Float
5	1441518	Screw Set
7	7301138	Carburetor Assmely (BB62G A)
8	5580212	Valve, Float
9	5580220	Nozzle, Main
10	5580238	Insulator, Carburetor
11	5580246	Packing, Insulator
12	4581120	Packing, Carburetor
13	5580253	Packing, Carburetor
14	5580535	Guide Comp., Air
15	0639419	Screw, Pan Head #5 x 6
16	0635474	Jet, Main #60
	0635482	Jet, Main #62
	0636126	Jet, Main #65
17	1672187	Screw Set, Drain

**RECOIL STARTER**

KEY NO.	PART NO.	DESCRIPTION
1	6092886	Starter Assembly, Recoil
8	5580634	Grip, Starter
9	5580642	Rope, Recoil Starter
11	6478812	Nut, Flange 6 mm

**NOTE:** All component dimensions given in U.S. Inches  
1 inch = 25.4 mm

**CYLINDER BARREL**

KEY NO.	PART NO.	DESCRIPTION
1	6842413	Barrel Assembly, Cylinder
2	2399780	Clip, Valve Guide
3	5579990	Cover, Head
4	5580006	Cover Comp., Breather
5	0636845	Bolt, Flange #6 x 12 (CT200)
6	0803619	Bolt, Flange #6 x 14 (CT200)
7	5581038	Oil Seal 25A x 62 x 6
8	1441112	Plug, Spark (BPR6ES) (NGK)
9	1899848	Guide, Exhaust Valve (O.S.)

**PISTON / CONNECTING ROD**

KEY NO.	PART NO.	DESCRIPTION
1	5580014	Piston
2	1426576	Pin, Piston
3	5580022	Rod Assembly, Connecting
4	1431055	Bolt, Connecting Rod
5	2605517	Clip, Piston Pin 13 mm
6	5655949	Ring Set, Piston (Riken)
	7154727	Ring Set, Piston (Teikoku)

**CRANKSHAFT**

KEY NO.	PART NO.	DESCRIPTION
3	5664495	Crankshaft Comp.
5	5581012	Washer, Thrust

**MUFFLER**

KEY NO.	PART NO.	DESCRIPTION
1	5580485	Muffler Comp.
2	5664610	Protector, Muffler (CBU)
3	5580972	Bolt, Flange #6 x 79 (CT200)
4	0636845	Bolt, Flange #6 x 12 (CT200)
5	5737457	Gasket, Muffler

**OIL PAN**

KEY NO.	PART NO.	DESCRIPTION
1	6771489	Pan Assembly, Oil
2	5716915	Gauge Assembly, Oil Level
4	1452754	Packing, Oil Filler cap
5	5664503	Extension, Oil Filler
6	5664511	Washer, Extension Rock
8	6384341	Shaft Comp., Governor Holder
9	6384333	Governor Assembly
10	5580287	Weight, Governor
11	5580295	Holder, Governor Weight
12	1427244	Pin, Governor Weight
13	1427251	Slider, Governor
14	5580303	Shaft, Governor Arm
15	0803619	Bolt, Flange #6 x 14 (CT200)
16	0748111	Bolt, Flange #6 x 25
17	2413862	Washer, Thrust 6 mm
18	2456697	Clip, Governor Holder
19	5581046	Oil Seal 28 x 41.25 x 6
20	1377704	O-Ring 14.8 x 2.4 (NOK)
21	0345900	Washer, Plain 6 mm
22	0115527	Pin, Lock 8 mm
23	1417369	Dowel Pin #8 x 20

**FLYWHEEL**

KEY NO.	PART NO.	DESCRIPTION
1	0348433	Key, Special, Woodruff #25 x 18
3	6859722	Coil Assembly, Ignition
4	6859714	Flywheel Assembly
5	6315816	Cord, Stop Switch
6	5580683	Switch Assembly, Engine Stop
8	5580790	Spring, Brake Lever
10	0803619	Bolt, Flange #6 x 14 (CT200)
11	1725050	Bolt, Flange #6 x 23 (CT200)
12	0671552	Bolt, Flange #6 x 20 (CT200)
13	0442038	Nut, Special 14 mm
15	0485946	Screw, Washer Head #4x12
16	1510361	Washer, Plain 4 mm
19	1824630	Clip A, Cable
20	1240845	Grommet A, Rear Cover
21	7301591	Brake Sub-Assembly

**NOTE:** All component dimensions given in U.S. inches  
1 inch = 25.4 mm

# Get it fixed, at your home or ours!

## Your Home

For repair – **in your home** – of **all** major brand appliances, lawn and garden equipment, or heating and cooling systems, **no matter who made it, no matter who sold it!**

For the replacement parts, accessories and owner's manuals that you need to do-it-yourself.

For Sears professional installation of home appliances and items like garage door openers and water heaters.

**1-800-4-MY-HOME<sup>®</sup>** Anytime, day or night  
(1-800-469-4663) (U.S.A. and Canada)  
[www.sears.com](http://www.sears.com) [www.sears.ca](http://www.sears.ca)

## Our Home

For repair of carry-in products like vacuums, lawn equipment, and electronics, call or go on-line for the nearest **Sears Parts and Repair Center.**

**1-800-488-1222** Anytime, day or night (U.S.A. only)  
[www.sears.com](http://www.sears.com)

To purchase a protection agreement (U.S.A.) or maintenance agreement (Canada) on a product serviced by Sears:

**1-800-827-6655** (U.S.A.) **1-800-361-6665** (Canada)

Para pedir servicio de reparación a domicilio, y para ordenar piezas:

**1-888-SU-HOGAR<sup>SM</sup>**  
(1-888-784-6427)

Au Canada pour service en français:

**1-800-LE-FOYER<sup>MC</sup>**  
(1-800-533-6937)  
[www.sears.ca](http://www.sears.ca)

# SEARS

© Sears, Roebuck and Co.

® Registered Trademark / <sup>TM</sup> Trademark / <sup>SM</sup> Service Mark of Sears, Roebuck and Co.

® Marca Registrada / <sup>TM</sup> Marca de Fábrica / <sup>SM</sup> Marca de Servicio de Sears, Roebuck and Co.

<sup>MC</sup> Marque de commerce / <sup>MD</sup> Marque déposée de Sears, Roebuck and Co.