

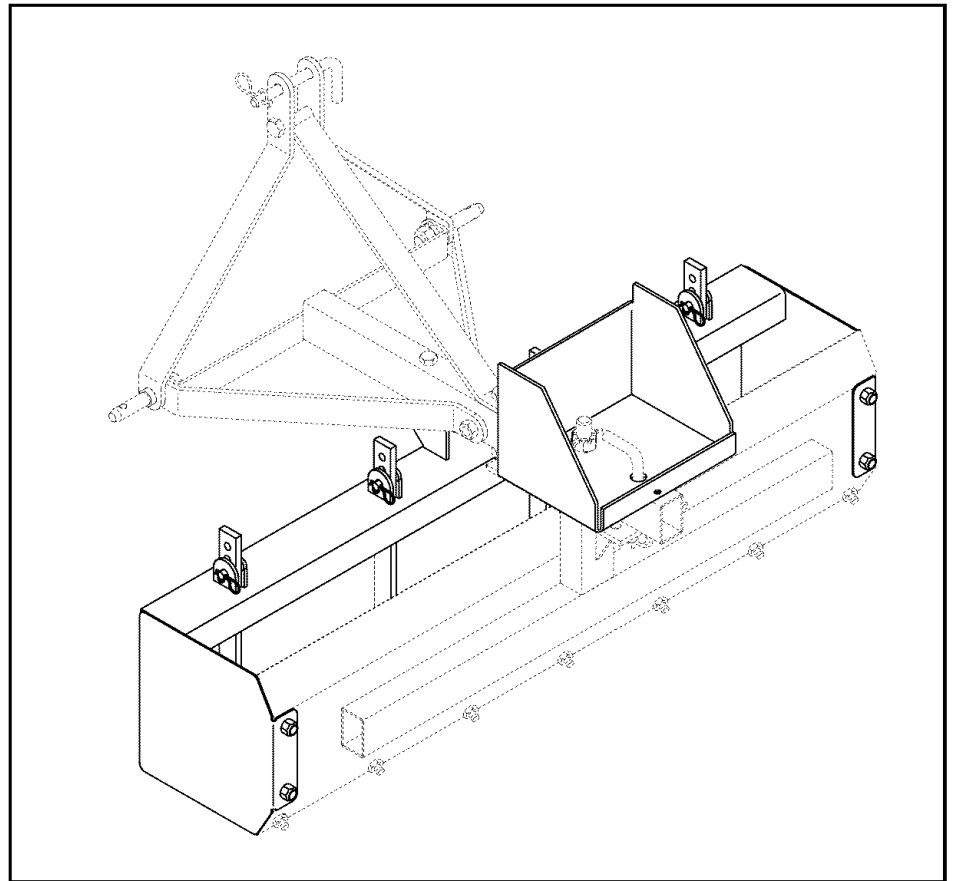
Agri-Fab®

OWNERS MANUAL

Model No.

45-0358

CAUTION:
Read Rules for
Safe Operation
and Instructions
Carefully



BOX SCRAPER ATTACHMENT (FOR 45-0354 GRADER BLADE)

- Safety
- Assembly
- Operation
- Maintenance
- Parts

SpeedEPart *the fastest way to purchase parts* www.speedepart.com

SAFETY RULES

Remember, any power equipment can cause injury if operated improperly or if the user does not understand how to operate the equipment. Exercise caution at all times when using power equipment.



LOOK FOR THIS SYMBOL TO POINT OUT IMPORTANT SAFETY PRECAUTIONS. IT MEANS – ATTENTION! BECOME ALERT! YOUR SAFETY IS INVOLVED.

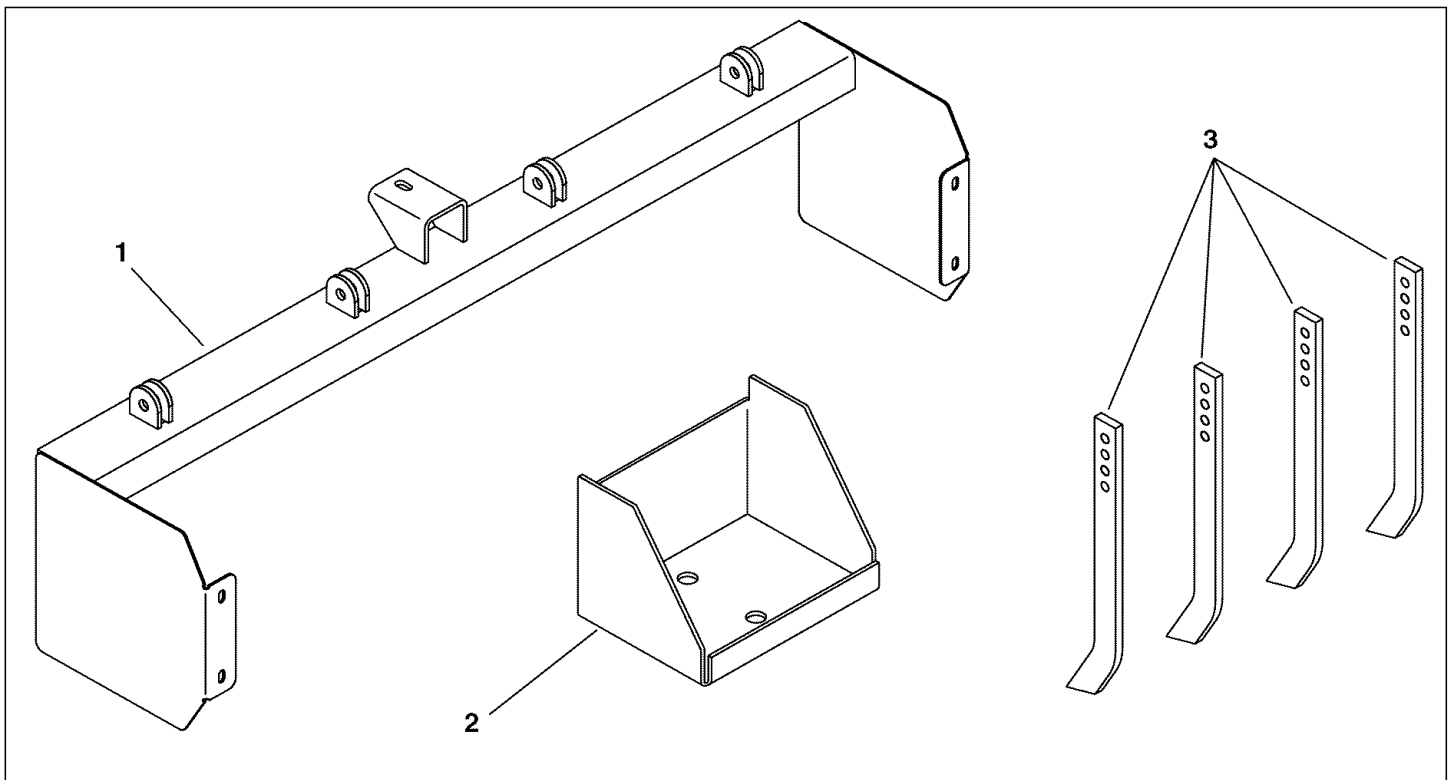


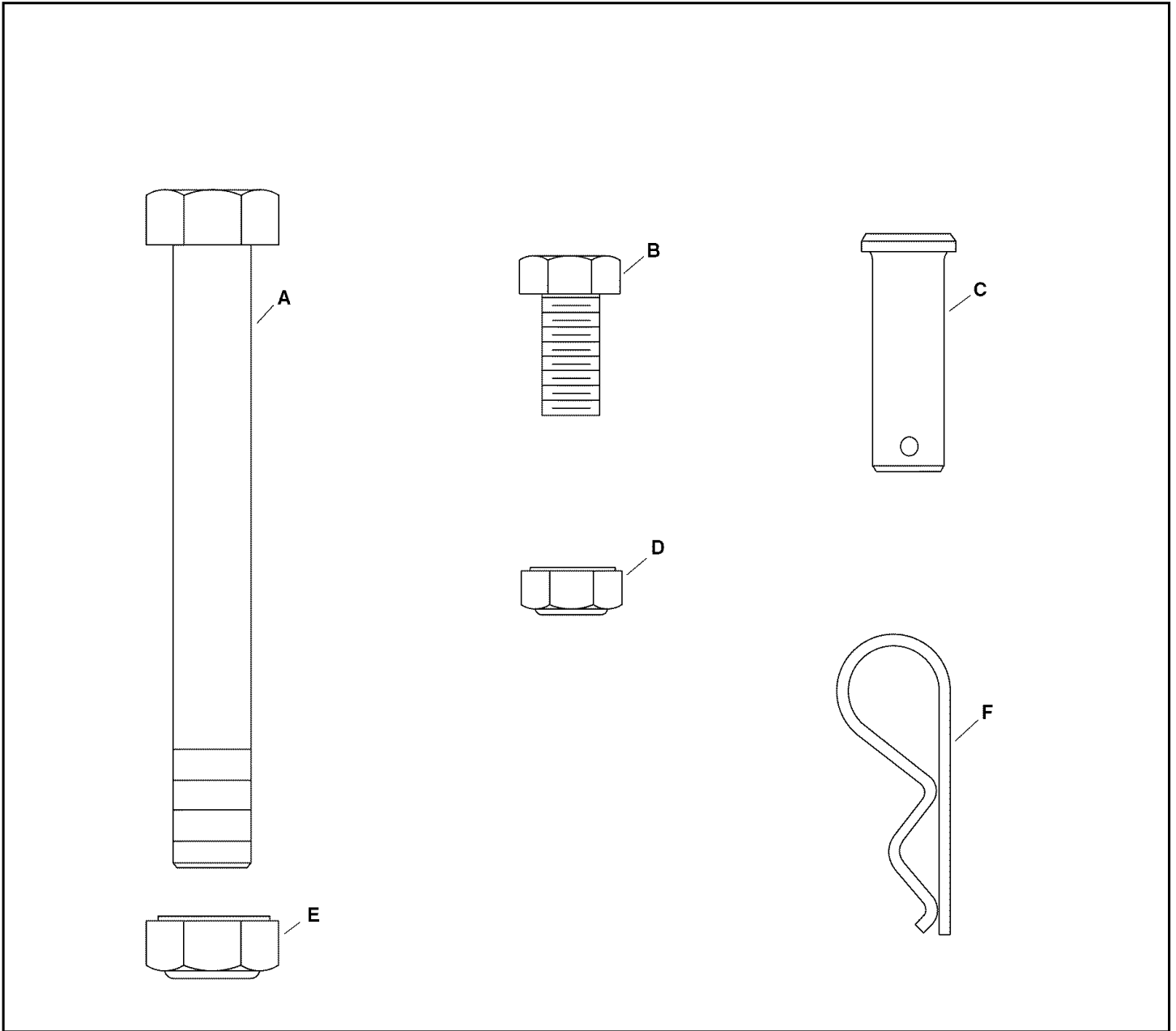
CAUTION: VEHICLE BRAKING AND STABILITY MAY BE AFFECTED BY THE ADDITION OF AN ACCESSORY OR AN ATTACHMENT. BE AWARE OF CHANGING CONDITIONS ON SLOPES.

1. Read this owner's manual before using this equipment.
2. Do not allow children to operate the tow vehicle or the box scraper.
3. Do not allow adults to operate the tow vehicle or the box scraper without proper instruction.
4. Do not allow anyone to ride on the tow vehicle or the box scraper.
5. Before lowering the box scraper, make sure no one is near the area of operation.
6. Lower the box scraper when leaving the tow vehicle unattended.
7. Wear appropriate footwear when using the box scraper.
8. Tow vehicle braking and stability may be affected by the box scraper. Drive slowly with the box scraper in the transport position. **Stay off steep slopes.**
9. Stop and inspect the equipment for damage after striking an object. Repair any damage before continuing operation.
10. Keep all nuts and bolts tight and be sure that the equipment is in safe operating condition.
11. Before attaching or removing the box scraper, park and lock the tow vehicle in a safe condition.

CARTON CONTENTS

1. Box Scraper Attachment
2. Weight Tray
3. Scarifier Tooth (4)
4. Parts Package (see page 3)





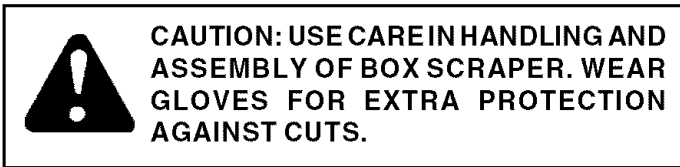
PARTS PACKAGE CONTENTS – PARTS SHOWN ACTUAL SIZE

| KEY | QTY. | DESCRIPTION | KEY | QTY. | DESCRIPTION |
|-----|------|-------------------------|-----|------|-----------------------|
| A | 1 | Hex Bolt, 1/2" x 4" Lg. | D | 5 | Hex Nut, Nylock, 3/8" |
| B | 5 | Hex Bolt, 3/8" x 1" Lg. | E | 1 | Hex Nut, Nylock, 1/2" |
| C | 4 | Clevis Pin | F | 4 | Haircotter Pin |

ASSEMBLY

TOOLS REQUIRED FOR ASSEMBLY

- (2) 3/4" Wrenches
- (1) 9/16" Wrench
- (1) 1-1/2" Wrench or 14" Adjustable Wrench
- (1) Pliers



Remove all loose parts and the hardware package from the shipping carton. Then lay out and identify each part and the common hardware as shown on pages 2 and 3. Be sure the carton is empty before it is discarded.

1. Lower the grader blade **inside** the box scraper attachment. Then align the holes at the ends of the box scraper with the holes in the grader blade.

Attach the box scraper attachment to the grader blade using two 3/8" x 1" hex bolts and two 3/8" Nylock hex nuts at each end of the box scraper. **Do not tighten yet.** See figure 1.

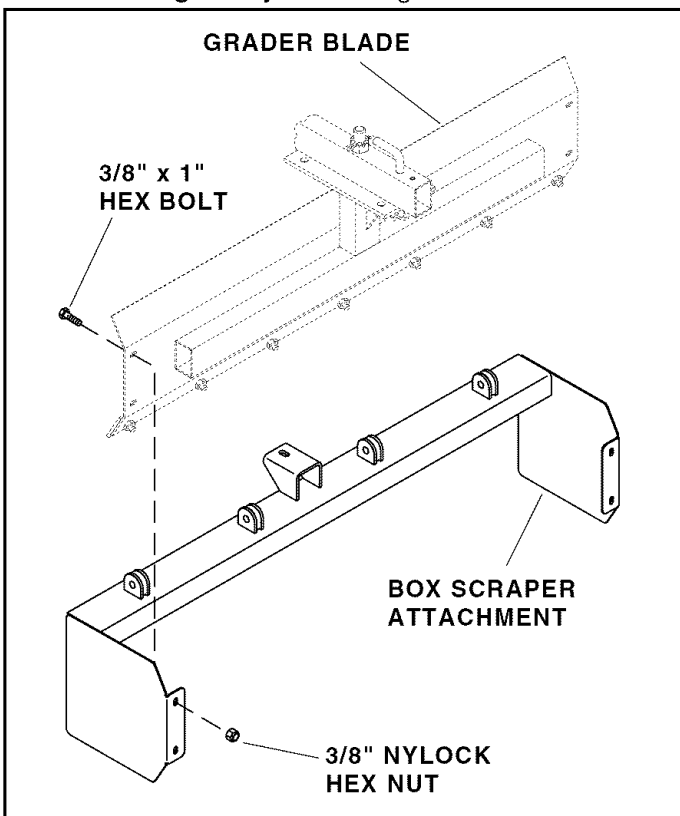


FIGURE 1

2. Connect the brace located on top of the box scraper to the mast assembly using a 1/2" x 4" hex bolt and 1/2" Nylock hex nut. **Tighten all nuts now.** See figure 2.

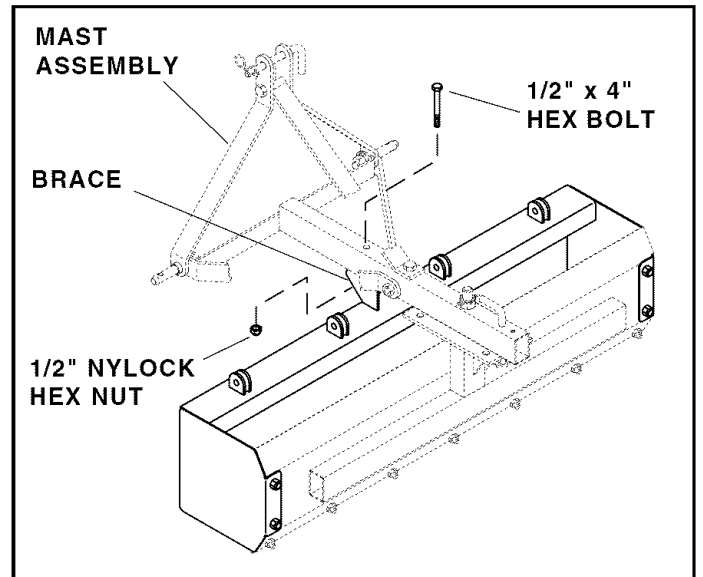


FIGURE 2

3. Attach four scarifier teeth to the box scraper using a clevis pin and a haircutter pin for each tooth. Put the tip of each scarifier tooth toward the front of the box scraper. See figure 3.

For assembly purposes, put the clevis pins in the **bottom** hole of each scarifier tooth.

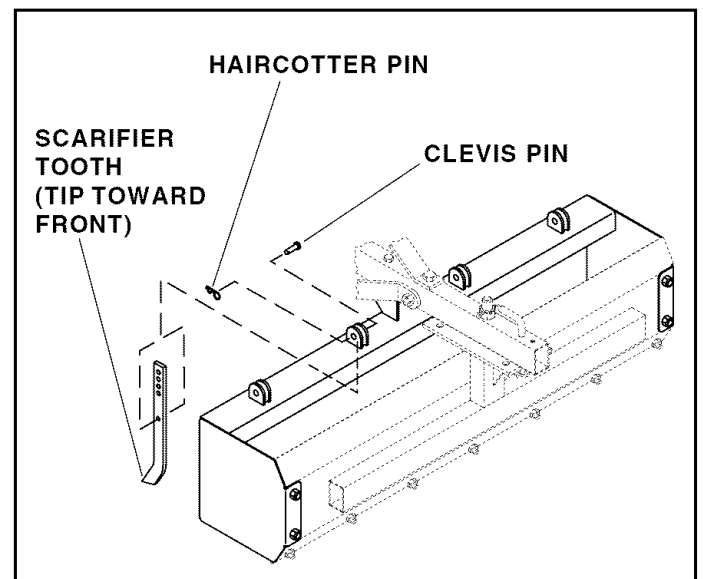


FIGURE 3

- Remove the pivot pin and the slotted hex nut from the mast assembly as shown in figure 4. Attach the weight tray to the end of the mast assembly using a 3/8" x 1" hex bolt and a 3/8" Nylock hex nut. Tighten nut and bolt.
- Reinstall the slotted hex nut onto the threaded stud. Tighten the slotted nut, aligning a slot with the drilled hole in the stud. Reinstall the cotter pin through the hole in the stud. See figure 4.
- Reinstall the pivot pin and secure the it with the haircotter pin. See figure 4.

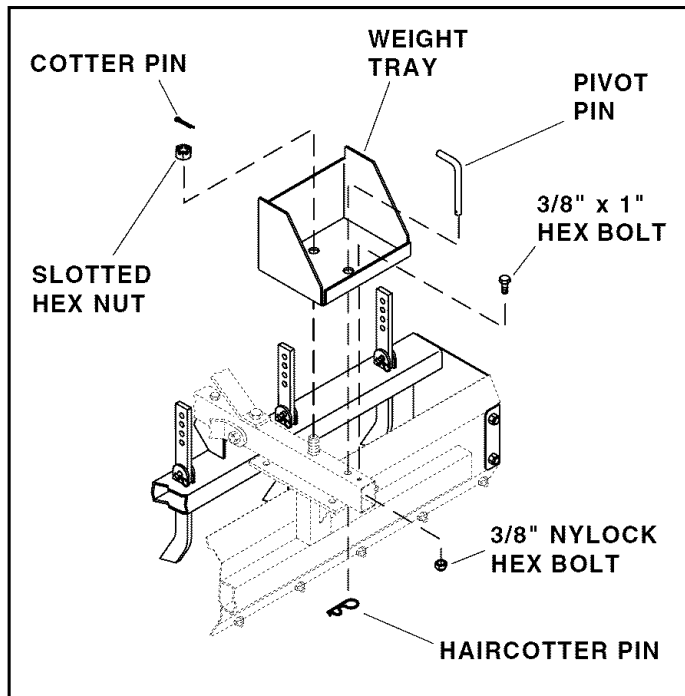


FIGURE 4

OPERATION

The box scraper is an attachment used with the grader blade. The box scraper breaks up, levels, finish grades, and scarifies the ground for soil preparation.

IMPORTANT: Do not swivel the grader blade. The grader blade must remain locked in the straight ahead position when the box scraper attachment is used.



CAUTION: USE CARE WHEN WORKING AROUND A RAISED BOX SCRAPER. KEEP YOUR FEET AND HANDS FROM UNDER THE BOX SCRAPER AT ALL TIMES. SERIOUS INJURY CAN RESULT SHOULD THE BOX SCRAPER DROP UNEXPECTEDLY.

- Before starting, make sure the material to be moved or conditioned is dry enough by squeezing some in your hand. If it forms a ball that doesn't crumble, the material may be too wet to work.
- The box scraper scarifiers can be set to penetrate the ground to depths of 1/2" to 3-1/2" in 1" increments. To change the depth, remove the clevis pin that attaches each scarifier tooth to the box scraper and relocate the pin in another hole of the tooth. Be sure to use the same hole in each scarifier tooth. See figure 5.

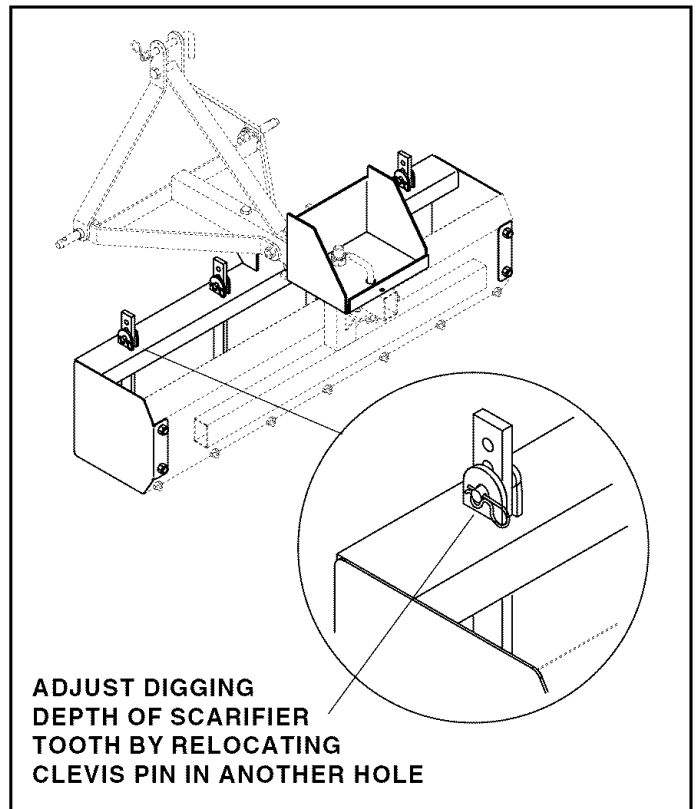


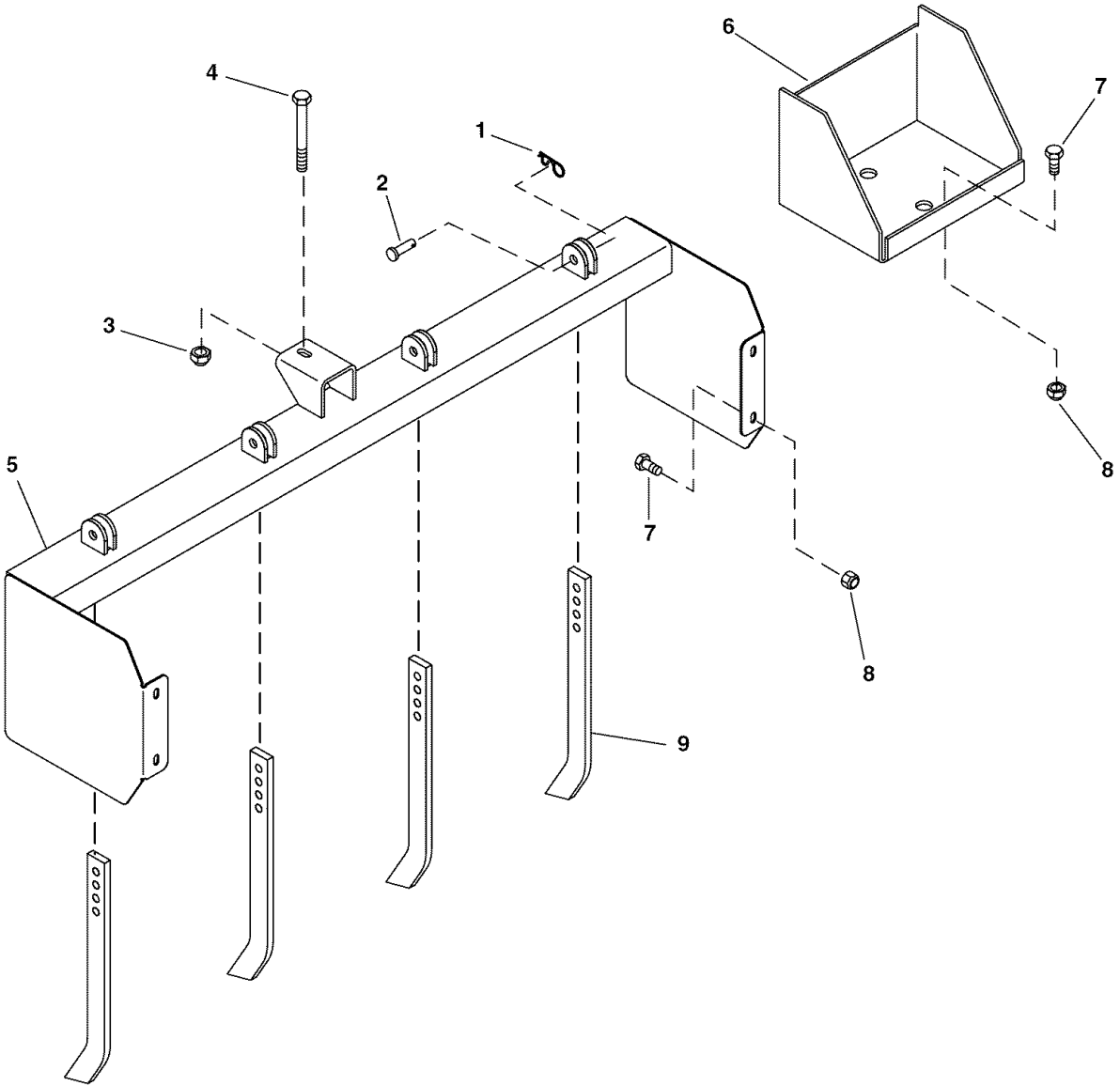
FIGURE 5

- Any time the box scraper is to be stored on a hard surface, raise each scarifier tooth by relocating the clevis pins to the bottom hole in each tooth before lowering the scraper.

MAINTENANCE

- Check for and tighten any loose hardware before each use.
- Clean the box scraper and lightly oil only bare metal after each use.
- Remove all dirt and rust. Touch up paint before placing box scraper in storage.
- Store box scraper inside a dry area.

REPAIR PARTS FOR MODEL NO. 45-0358 BOX SCRAPER ATTACHMENT



| REF. NO. | PART NO. | QTY. | DESCRIPTION | REF. NO. | PART NO. | QTY. | DESCRIPTION |
|----------|----------|------|--------------------------------------|----------|----------|------|---------------------------|
| 1 | 47134 | 4 | Haircutter Pin, 0.08" x 1.58" Lg. | 6 | 25193 | 1 | Weight Tray |
| 2 | 44049 | 4 | Clevis Pin, 1/2" x 1-1/4" Lg. | 7 | 43001 | 5 | Hex Bolt, 3/8" x 1" Lg. |
| 3 | 712-3083 | 1 | Hex Nut, Nylock, 1/2" | 8 | HA21362 | 5 | Hex Nut, Nylock, 3/8" |
| 4 | 45100 | 1 | Hex Bolt, 1/2" x 4" Lg. | 9 | 25166 | 4 | Scarifier Tooth |
| 5 | 64771 | 1 | Box Scraper Assembly | | 48972 | 1 | Owners Manual (not shown) |

SpeedEPart *the fastest way to purchase parts* www.speedepart.com

REPAIR PARTS

Agri-Fab, Inc.
303 West Raymond
Sullivan, IL. 61951
217-728-8388
www.agri-fab.com