

## **Side by Side Refrigerator**

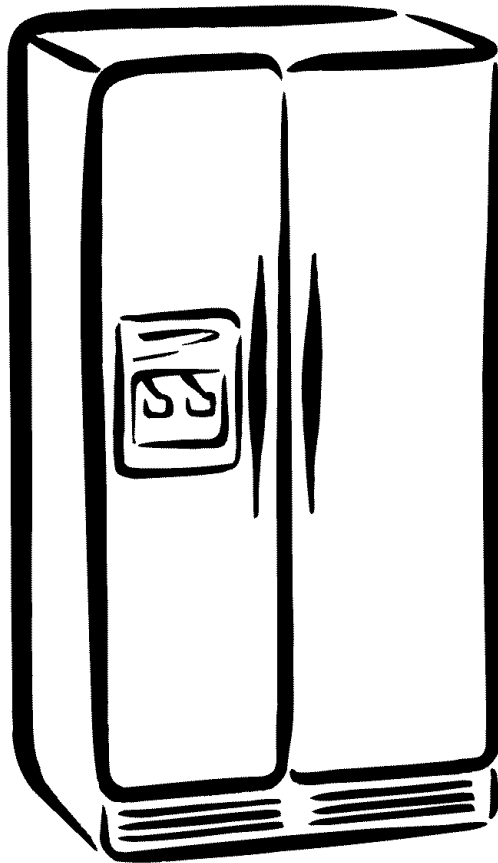
Use & Care Guide

## **Lado a Lado Refrigerador**

Guía para su uso y cuidado

## **Compartiments Côte à Côte Réfrigérateur**

Guide d'utilisation et d'entretien



ENGLISH

ESPAÑOL

FRANÇAIS

Sears, Roebuck and Co., Hoffman Estates, IL 60179 U.S.A.  
Sears Canada, Inc., Toronto, Ontario, Canada M5B 2B8

[www.sears.com](http://www.sears.com)  
241566600 (0403)

# Welcome & Congratulations

Congratulations on your purchase of a new refrigerator! At **Sears**, we are very proud of our product and completely committed to providing you with the best service possible. Your satisfaction is our #1 priority.

Thank you for choosing **Sears**; we hope you will consider us for future purchases.

## Please read and save this document

This *Use & Care Guide* provides specific operating instructions for your model. Use your refrigerator only as instructed in this manual. These instructions are not intended to cover every possible condition and situation that may occur. Common sense and caution must be practiced when installing, operating and maintaining any appliance.

Please record your model and serial numbers below for future reference. This information is found on the serial plate located inside the refrigerator compartment.

**Record your product reference information here.**

Model Number: **253** - \_\_\_\_\_

Serial Number: \_\_\_\_\_

Purchase Date: \_\_\_\_\_

### Note

Use only soap and water to clean the serial plate.

### Table Of Contents

Welcome & Congratulations .....	2
Important Safety Instructions .....	3
Warranty Information .....	4
Protection Agreements .....	6
Installation .....	7
Door Removal Instructions .....	10
Feature Overview .....	12
Controls & Settings .....	13
Storage Features .....	17
Automatic Ice & Water Dispenser .....	20
Replacing Filters .....	23
Storing Food & Saving Energy .....	25
Normal Operating Sounds & Sights .....	27
Care & Cleaning .....	28
Before You Call .....	31



## Warning

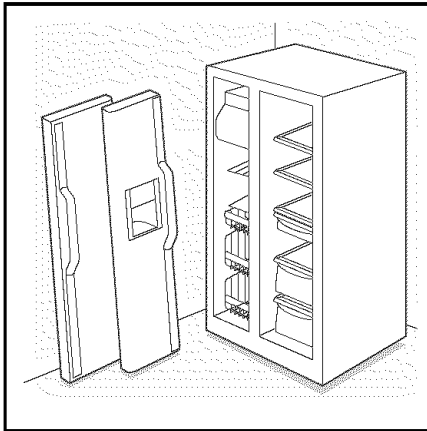
Please read all instructions before using your new refrigerator.

## For Your Safety

- Do not store or use gasoline, or other flammable liquids in the vicinity of this or any other appliance. Read product labels for warnings regarding flammability and other hazards.
- Do not operate the refrigerator in the presence of explosive fumes.
- Avoid contact with any moving parts of automatic ice maker.
- Remove all staples from the carton. Staples can cause severe cuts, and also destroy finishes if they come in contact with other appliances or furniture.

## Child Safety

Destroy or recycle the carton, plastic bags, and any exterior wrapping material immediately after the refrigerator is unpacked. Children should *never* use these items to play. Cartons covered with rugs, bedspreads, plastic sheets or stretch wrap may become airtight chambers, and can quickly cause suffocation.



## Proper Disposal Of Your Refrigerator Or Freezer

### Risk Of Child Entrapment

Child entrapment and suffocation are not problems of the past. Junked or abandoned refrigerators or freezers are still dangerous—even if they will sit for “just a few days.” If you are getting rid of your old refrigerator or freezer, please follow the instructions below to help prevent accidents.

### Before you throw away your old refrigerator/ freezer:

- Remove the doors.
- Leave shelves in place so children may not easily climb inside.
- Have refrigerant removed by a qualified service technician.

## Electrical Information

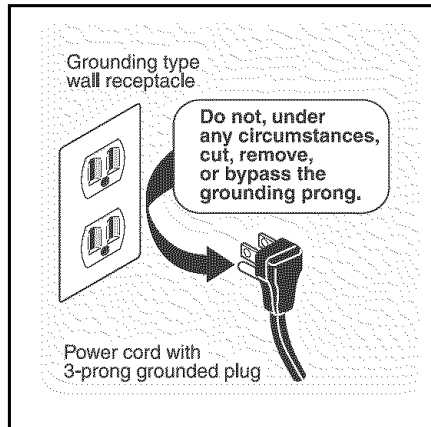


## Warning

These guidelines must be followed to ensure that safety mechanisms in this refrigerator will operate properly.

- **The refrigerator must be plugged into its own dedicated 115 Volt, 60 Hz., AC only electric outlet.** The power cord of the appliance is equipped with a three-prong grounding plug for your protection against electrical shock hazards. It must be plugged directly into a properly grounded three-prong receptacle. The receptacle must be installed in accordance with local codes and ordinances. Consult a qualified electrician. **Do not use an extension cord or adapter plug.**

## 4 Important Safety Instructions



- Immediately repair or replace any power cord that becomes frayed or damaged.
- Never unplug the refrigerator by pulling on the power cord. Always grip the plug firmly, and pull straight out from the receptacle to prevent damaging the power cord.
- Unplug the refrigerator before cleaning and before replacing a light bulb to avoid electrical shock.
- Performance may be affected if the voltage varies by 10% or more. Operating the refrigerator with insufficient power can damage the compressor. Such damage is not covered under your warranty.
- Do not plug the unit into an outlet controlled by a wall switch or pull cord to prevent the refrigerator from being turned off accidentally.
- Avoid connecting refrigerator to a Ground Fault Interruptor (GFI) circuit.

### Important

To turn off power to your refrigerator, unplug the power cord from the wall outlet.

## Warranty Information

### Full One-Year Warranty on Refrigerator

For one year from the date of purchase, when this refrigerator is operated and maintained according to the instructions provided in this Use & Care Guide, Sears will repair this refrigerator, free of charge, if defective in material or workmanship.

### Full Five-Year Warranty on Sealed Refrigeration System

For five years from the date of purchase, when this refrigerator is operated and maintained according to the instructions provided in this Owner's Guide, Sears will repair the sealed system (consisting of refrigerant, connecting tube, and compressor motor), free of charge, if defective in material or workmanship.

The above refrigerator warranty applies only to refrigerators which are used for storage of food for private household purposes.

**FULL 30-DAY WARRANTY ON KENMORE REFRIGERATOR WATER FILTRATION CARTRIDGE.** If this Kenmore Refrigerator Water Filtration Cartridge fails due to a defect in material or workmanship within 30 days from the date of purchase, RETURN IT TO THE NEAREST SEARS STORE IN THE UNITED STATES and Sears will replace it, free of charge.

This warranty gives you specific legal rights and you may also have other rights which vary from state to state.

Warranty service is available by contacting the NEAREST SEARS SERVICE CENTER/DEPARTMENT in the United States. See the back page of this manual.

For warranty questions, please contact the following address:

**Sears, Roebuck and Co.**  
Dept. 817WA  
Hoffman Estates, IL 60179

## CANADA - LIMITED WARRANTY



### Refrigerators

Sears Canada Inc., warrants every new *Kenmore* refrigerator to be free from defects in material or workmanship. What Sears will do, free of charge, in case of defect:

What is covered?	How long warranted (from date of sale)?	Parts: At Sears' option, either repair or supply replacement part for:	Labor: Install repaired or replacement part for:
Compressor	Ten (10) Years	Ten (10) Years	Five (5) Years
Sealed System (consisting of refrigerant, evaporator, and condenser)	Five (5) Years	Five (5) Years	Five (5) Years
All other parts or adjustments	One (1) Year	One (1) Year	One (1) Year

### Normal Responsibility of the Customer

The following items, since they are not manufacturing defects, are not included in the warranty, but are the responsibility of the customer:

- 1 Damage to finish after delivery.
- 2 Improper power supply, low voltage, or any defects in the house wiring system or appliance not connected to electric outlet.
- 3 Replacement of light bulbs.
- 4 Damage caused by moving the product from its original installation.
- 5 Service required as a result of alteration, abuse, fire, floods, or acts of God.
- 6 Providing adequate air circulation to the refrigerating system.
- 7 Proper use and care of product as listed in the customer's manual; proper setting of the controls.

If any service is required under this warranty, simply call:

1-800-FOR-MY-HOME (1-800-469-4663).

This warranty is in addition to any statutory warranty. The above warranty covers Kenmore Refrigerators sold and operated in Canada only and shall not apply if the refrigerator is used for other than domestic purposes.

### Sears Maintenance Agreements

Maintain the value of your Kenmore refrigerator with a Sears Maintenance Agreement.

SEARS CANADA, INC., Toronto, Canada M5B 2B8

# 6 Protection Agreements

## In the U.S.A.

### Master Protection Agreements

Congratulations on making a smart purchase. Your new Kenmore® appliance is designed and manufactured for years of dependable operation. But like all products, it may require preventive maintenance or repair from time to time. That's when having a Master Protection Agreement can save you money and aggravation.

*Purchase a Master Protection Agreement now and protect yourself from unexpected hassle and expense.*

The Master Protection Agreement also helps extend the life of your new appliance. Here's what's included in the Agreement:

- ✔ **Expert service** by our 12,000 professional repair specialists
- ✔ **Unlimited service and no charge** for parts and labor on all covered repairs
- ✔ **"No-lemon" guarantee** – replacement of your covered product if more than three product failures occur within twelve months
- ✔ **Product replacement** if your covered product can't be fixed
- ✔ **Annual Preventive Maintenance Check** at your request – no extra charge
- ✔ **Fast help by phone** – non-technical and instructional assistance on products repaired in your home, plus convenient repair scheduling
- ✔ **Power surge protection** against electrical damage due to power fluctuations
- ✔ **Rental reimbursement** if repair of your covered product takes longer than promised

Once you purchase the Agreement, a simple phone call is all that it takes for you to schedule service. You can call anytime day or night, or schedule a service appointment online.

Sears has over 12,000 professional repair specialists, who have access to over 4.5 million quality parts and accessories. That's the kind of professionalism you can count on to help prolong the life of your new purchase for years to come. Purchase your Master Protection Agreement today!

**Some limitations and exclusions apply. For prices and additional information, call 1-800-827-6655.**

### Sears Installation Service

For Sears guaranteed professional installation of home appliances and items like garage door openers and water heaters, in the U.S.A. call **1-800-4MY-HOME®**.

## In Canada

### Maintenance Agreements

Your purchase has added value because you can depend on Sears HomeCentral® for service. With over 2400 Service Technicians and access to over 900,000 parts and accessories, we have the tools, parts, knowledge and skills to ensure the pledge: We Service What We Sell.

Your Kenmore® appliance is designed, manufactured and tested to provide years of dependable operation. Yet any major appliance may require service from time to time. The Sears Maintenance Agreement offers you an outstanding service program, affordably priced.

### The Sears Maintenance Agreement

- Is your way to buy tomorrow's service at today's price.
- Eliminate repair bills resulting from normal wear and tear.
- Provides for non-technical and instructional assistance.
- Even if you don't need repairs, provides an annual Preventive Maintenance Check, at your request, to ensure that your appliance is in proper running condition.

**Some limitations apply. For information concerning Sears Canada Maintenance Agreements, call 1-800-361-6665**

This Owner's Guide provides specific operating instructions for your model. Use the refrigerator only as instructed in this Use & Care Manual. **Before starting the refrigerator, follow these important first steps.**

## Location

- Choose a place that is near a grounded electrical outlet. Do Not use an extension cord or an adapter plug.
- If possible, place the refrigerator out of direct sunlight and away from the range, dishwasher or other heat sources.
- The refrigerator must be installed on a floor that is level and strong enough to support a fully loaded refrigerator.
- Consider water supply availability for models equipped with an automatic ice maker.

## Installation



### Caution

- Do Not install the refrigerator where the temperature will drop below 55°F (13°C) or rise above 110°F (43°C). The compressor will not be able to maintain proper temperatures inside the refrigerator.
- Do Not block the toe grille on the lower front of your refrigerator. Sufficient air circulation is essential for the proper operation of your refrigerator.

## Installation Clearances

Allow the following clearances for ease of installation, proper air circulation, and plumbing and electrical connections:

Sides & Top	3/8 inch
Back	1 inch

## Door Opening

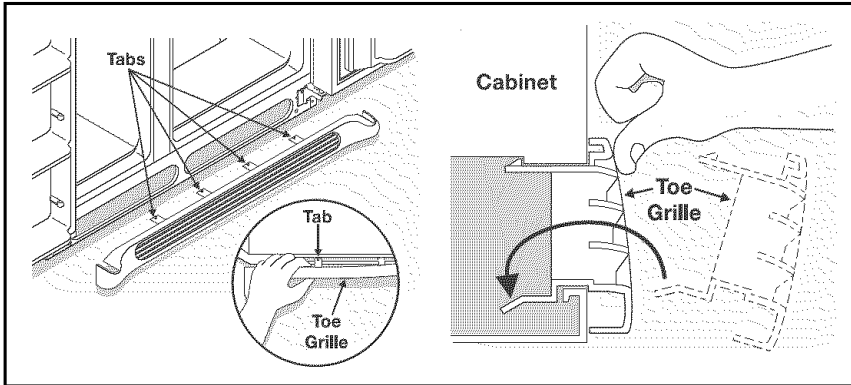
### Note

If your refrigerator is placed with the door hinge side against a wall, you may have to allow additional space so the door can be opened wider.

Your refrigerator should be positioned to allow easy access to a counter when removing food. For best use of drawers and freezer baskets, the refrigerator should be in a position where both the refrigerator and freezer doors can be fully opened.

# 8 Installation

## Toe Grille Installation & Removal



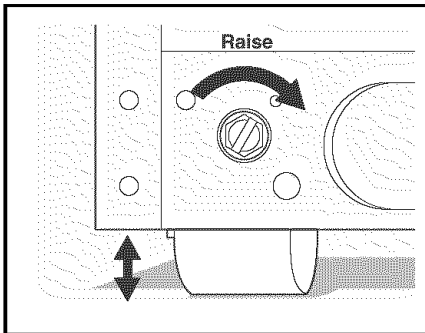
### To remove the toe grille:

- 1 Open freezer and refrigerator compartment doors.
- 2 Working from left side of toe grille, slip your fingers between top of toe grille and cabinet. Gently pull forward until first set of tabs are free. Slide your hand down past the free tabs and pull forward again until the second set of tabs are free. Continue this process until all tabs are free and the toe grille can be removed.

### To install the toe grille:

- 3 Open freezer and refrigerator compartment doors.
- 4 Line up toe grille at base of refrigerator, making sure the four bottom tabs are resting through holes at base of cabinet.
- 5 Starting from left side of toe grille, press in on first top tab using your thumb and push toe grille forward until it snaps in place. Continue this process until all tabs are snapped in place and toe grille is secured to refrigerator.

## Leveling



All four corners of your refrigerator must rest firmly on a solid floor. Your refrigerator is equipped with adjustable front rollers to help level your unit. To ensure proper door seal and assist door closing, the refrigerator should be tilted 1/4" (6 mm), front to back.

### To level your refrigerator:

- 1 Remove toe grille (See "To remove the toe grille").
- 2 Use flat-blade screwdriver or 3/8-inch socket wrench to adjust front rollers.
- 3 Check both doors to be sure seals touch cabinet on all four sides.

### Note

The Refrigerator doors are designed to shut by themselves with a 20 degree opening.



## Connecting The Ice Maker To Your Water Supply



### Warning

To avoid electric shock, which can cause death or severe personal injury, disconnect the refrigerator from electrical power before connecting a water supply line to the refrigerator.



### Caution

To Avoid Property Damage:

- Copper tubing is recommended for the water supply line. Water supply tubing made of ¼" plastic is not recommended since it greatly increases the potential for water leaks. Manufacturer will not be responsible for any damage if plastic tubing is used for supply line.
- DO NOT install water supply tubing in areas where temperatures fall below freezing.
- Chemicals from a malfunctioning softener can damage the ice maker. If the ice maker is connected to soft water, ensure that the softener is maintained and working properly.

### Important

Ensure that your water supply line connections comply with all local plumbing codes.

### Before installing the water supply line, you will need:

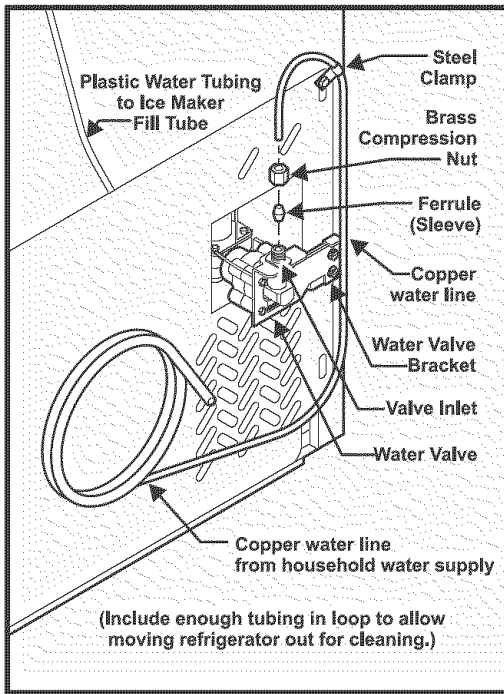
- Basic Tools: Adjustable wrench, flat-blade screwdriver, and Phillips™ screwdriver.
- Access to a household cold water line with water pressure between 20 and 100 psi.
- A water supply line made of ¼ inch (6.4 mm) OD, copper tubing. To determine the length of copper tubing needed, you will need to measure the distance from the ice maker inlet valve at the back of the refrigerator to your cold water pipe. Then add approximately 7 feet (2.1 meters), so the refrigerator can be moved out for cleaning (as shown).
- A shutoff valve to connect the water supply line to your household water system. DO NOT use a self-piercing type shutoff valve.
- A compression nut and ferrule (sleeve) for connecting the water supply line to the ice maker inlet valve.

### Note

A water line kit is available from your appliance dealer at additional cost. It contains 25 feet (7.6 meters) of ¼ inch OD copper tubing, a saddle type shutoff valve (non-piercing), (2) ¼ inch brass compression nuts, (2) ferrules/sleeves, and instructions for installing a water supply line.

# 10 Installation

## To connect your water supply line to the ice maker inlet valve:



- 1 Disconnect refrigerator from electric power source.
- 2 Place end of water supply line into sink or bucket. Turn ON water supply and flush supply line until water is clear. Turn OFF water supply at shutoff valve.
- 3 Unscrew plastic cap from water valve inlet and discard cap.
- 4 Slide brass compression nut, then ferrule (sleeve) onto water supply line, as shown.
- 5 Push water supply line into water valve inlet as far as it will go ( $\frac{1}{4}$  inch). Slide ferrule (sleeve) into valve inlet and finger tighten compression nut onto valve. Tighten another half turn with a wrench; DO NOT over tighten.
- 6 With steel clamp and screw, secure water supply line to rear panel of refrigerator as shown.
- 7 Coil excess water supply line (about  $2\frac{1}{2}$  turns) behind refrigerator as shown and arrange coils so they do not vibrate or wear against any other surface.
- 8 Turn ON water supply at shutoff valve and tighten any connections that leak.
- 9 Reconnect refrigerator to electrical power source.
- 10 To turn ice maker on, lower wire signal arm (see ice maker front cover for ON/OFF position of arm).

### Important

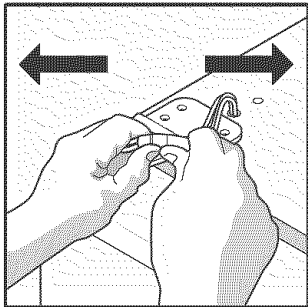
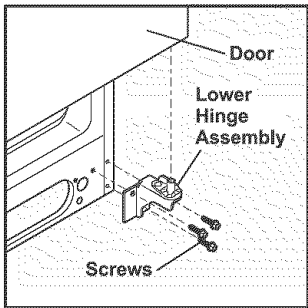
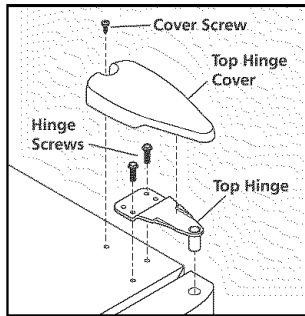
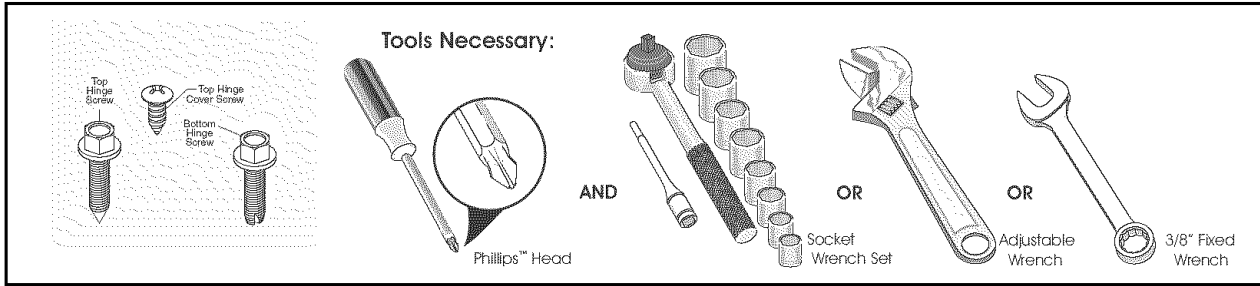
It takes approximately 24 hours for the ice maker to begin producing ice. Air in new plumbing lines may cause ice maker to cycle two or three times before making a full tray of ice. New plumbing may cause ice to be discolored or have poor flavor. Discard ice made during the first 24 hours.

## Door Removal Instructions

If it is necessary to move your refrigerator through narrow doorways, follow these steps to remove them.

### Important

Before you begin, unplug the power cord and remove any food from door shelves.



**Before you start:**

- 1 Make sure the electrical power cord is unplugged from the wall outlet.
- 2 Open both doors and remove the toe grille (see page 8).
- 3 Remove any food from the door shelves.
- 4 Close the doors.

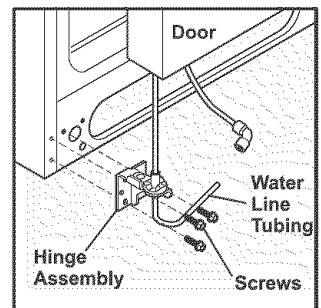
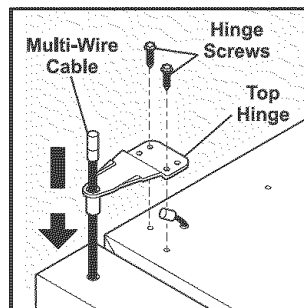
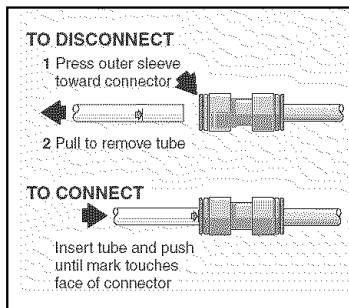
**To remove the refrigerator door:**

- 1 Remove the top hinge screw on the refrigerator door and remove the cover.
- 2 Trace lightly around the door's top hinge with a pencil. This makes reinstallation easier.
- 3 Remove the two screws from the top hinge. Lift the door off of the bottom hinge and set it aside.
- 4 Remove the three bottom hinge screws and hinge, if necessary.

**To remove the freezer door:**

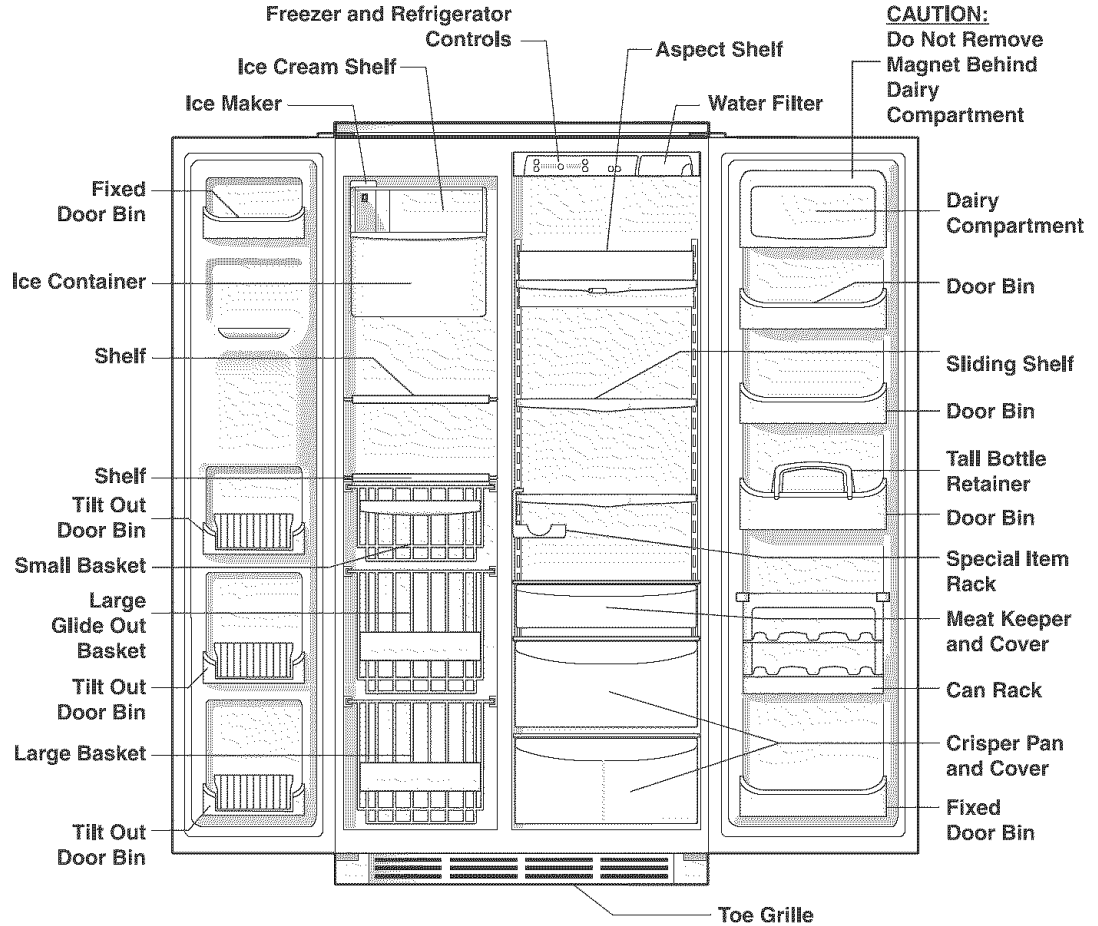
- 1 Remove the top hinge screw on the freezer door and remove the cover.
- 2 Detach the multi-wire cable connector located above the top hinge. Grasp both sides of the connector firmly and pull apart.
- 3 Trace lightly around the door's top hinge with a pencil. This makes reinstallation easier.
- 4 Detach the water tube from the connector located below the freezer door. The connector releases when you press its outer sleeve inward.
- 5 Remove the screws from the top hinge and pull the multi-wire cable through it.
- 6 Lift the door off of the bottom hinge. Lay the door on its side to avoid damage to the water tube extending from the bottom edge.
- 7 Remove the three bottom hinge screws and hinge, if necessary.
- 8 Reverse this procedure to reinstall freezer door.

To reinstall the refrigerator and freezer doors, reverse the above steps.



# 12 Feature Overview

Your refrigerator is designed for optimal convenience and storage flexibility. Use the illustration below to familiarize yourself with product features and terminology.



## Note

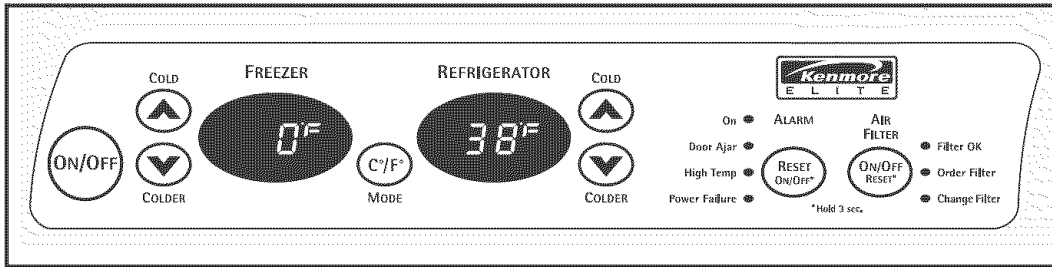
Features may vary according to model.

## Allowing Cooling Time Before Use

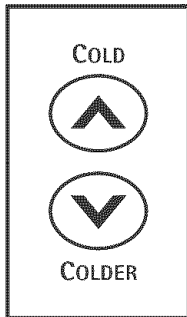
To ensure reliable food storage, allow your refrigerator and freezer to operate with the doors closed for 8 to 12 hours before placing food inside. During this cooling period, you do not need to adjust the controls, which are preset at the factory.

## Setting Cooling Temperatures

Your refrigerator comes with a state-of-the-art electronic digital control system. The system's control panel is located at the top of the refrigerator compartment.



The two digital displays on the left half of the control panel indicate the current temperatures of your freezer and refrigerator compartments.



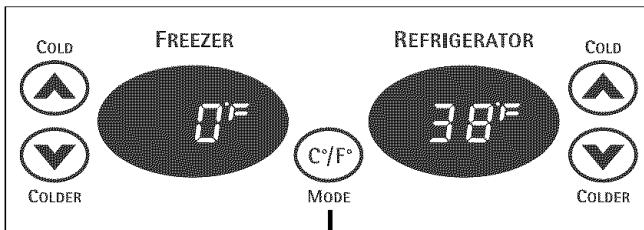
To adjust the temperature to a higher or lower setting, press the **Cold** or **Colder** arrow button closest to the display. The first time you press the button the display shows the last setting you entered. Each press of the button after that increments the setting by one degree.

The display shows your new setting momentarily, then changes back to the current temperature. (Refer to page 14 for more about temperature settings.)

### Note

The advanced electronic control system in your refrigerator includes additional display modes that service professionals can use to rapidly diagnose performance issues.

ENGLISH



Press to alternate between Fahrenheit and Centigrade

## Choosing Fahrenheit or Centigrade

Depending on which temperature standard you prefer to use, you can set your control panel to display in Fahrenheit or centigrade. To change between these standards, press the C°/F° Mode button.

# 14 Controls & Settings

## Making Temperature Adjustments

After running your refrigerator for 24 hours, you can adjust temperatures as needed. Make your adjustments small and gradual, allowing time for temperatures to change and stabilize. Refer the following guidelines for temperature settings.

### Temperature Control Range

	Freezer		Refrigerator	
	Fahrenheit	Centigrade	Fahrenheit	Centigrade
↑ <i>Less Cold</i>	Warmest 6°	-14°	47°	8°
Factory Setting	Midpoint 0°	-18°	37°	3°
↓ <i>Colder</i>	Coldest -6°	-21°	33°	1°

### Temperature Adjustment Guide

If Refrigerator compartment is too warm

Adjust Refrigerator control one degree colder by pressing the **Colder** arrow button.

If Refrigerator compartment is too cold

Adjust Refrigerator control one degree warmer by pressing the **Cold** arrow button.

If Freezer compartment is too warm

Adjust Freezer control one degree colder by pressing the **Colder** arrow button.

If Freezer compartment is too cold

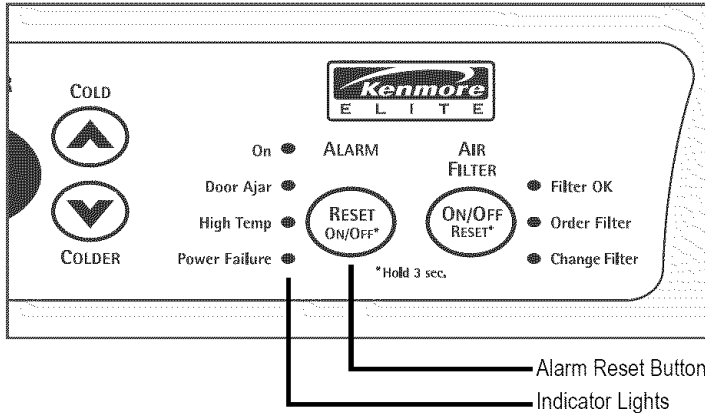
Adjust Freezer control one degree warmer by pressing the **Cold** arrow button.

### What To Do If The Temperature Displays Flash

If ever you see the temperature displays continuously flashing, it may indicate that the control system has detected a performance problem. Call your Sears service representative, who can interpret the flashing message.

## System Monitoring Alarms

The electronic control system continuously monitors your refrigerator/freezer for temperature consistency, doors left ajar, and power failures. Variances from normal operating conditions are communicated by audible tones and a set of four status indicator lights.



### Note

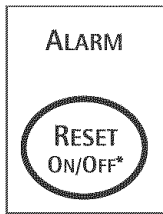
Each time you make settings on the control panel, a single audible tone acknowledges your input.

## Responding to Alarms (Audible Tones & Indicator Lights)

Your refrigerator's control system can convey the following information through audible tones and the alarm indicator lights.

Alarm Name	Indicator Light	Audible Tones	Condition	How To Respond
On	(light is off)		Alarm system is not active while freezer and refrigerator compartments are cooling toward the current temperature settings.	If freezer and refrigerator compartments do not match your temperature settings in three hours, expect the control system to signal other conditions. If cooling does not stabilize toward your current settings call for assistance, using the phone number on the back page of this <i>Use &amp; Care Guide</i> .
	Steady Green		Alarm system is active.	No response required.
Door Ajar	Flashing Green	✓	Freezer or refrigerator door has been open for over five minutes.	Close door to disable and reset alarm.
High Temp	Flashing Amber	✓	Freezer or refrigerator compartment has been too warm (45° F or higher) for over an hour.	Press Alarm <b>Reset</b> button to turn off alarm. If temperatures do not improve, call for assistance, using the phone number on the back page of this <i>Use &amp; Care Guide</i> .
Power Failure	Flashing Amber		A power outage was detected.	Press Alarm <b>Reset</b> button to turn off alarm and press again to reset. Check if the power failure lasted long enough to affect stored food temperatures.

# 16 Controls & Settings



## Using The Alarm Reset Button

You can disable or activate the alarm system by pressing *and holding* the **Reset** button for three seconds. Use it, for example, to turn off audible tones and/or flashing indicator lights.



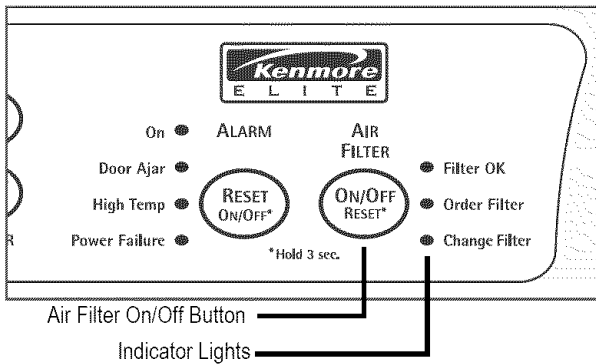
### Caution

The alarm system does not automatically reset if you disconnect and reconnect your refrigerator's power cord. It can only be reactivated by pressing the Alarm **Reset** button.

Once you disable the alarm system, you must again press *and hold* the Alarm **Reset** button for three more seconds to reset (activate) the alarm system. The **On** indicator light remains off while the freezer and refrigerator compartments cool toward the current cooling settings. When temperature settings are reached, the **On** light displays green to indicate an active alarm system.

## Checking the Air Filter Status

Your refrigerator's fresh food air filter needs to be replaced from time to time. You can monitor the need for replacement by pressing *and holding* the Air Filter **On/Off** button for three seconds.



### To check the air filter status:

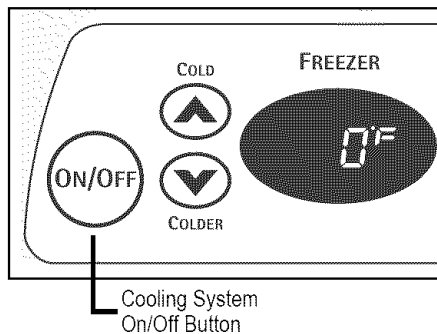
- 1 Press the Air Filter **On/Off** button. This activates a test cycle, and one of the three filter status lights displays, indicating one of the following:

<b>Filter OK</b>	Air filter does not need changing.
<b>Order Filter</b>	Air filter is about 80 percent used. Please order new one.
<b>Change Filter</b>	Air filter is 100 percent used. Please change now.

- 2 Press the Air Filter **On/Off** button to turn off the status light.

### Note

For instructions on replacing the air filter, see page 25.



## Turning The Cooling System On And Off

You can disable the cooling system in your refrigerator by pressing the system's **On/Off** button located on the left side of the temperature control panel.

To ensure that you do not accidentally turn off the cooling system, the button does not work unless you press *and hold* it for three seconds.

Once you disable the cooling system, all refrigeration to the freezer and refrigerator compartments stops. To turn the cooling system back on, you must again press *and hold* the **On/Off** button for three more seconds.

### Important

The **On/Off** button only controls your refrigerator's cooling system. Power to lights and other electrical components continues unless you unplug the power cord.



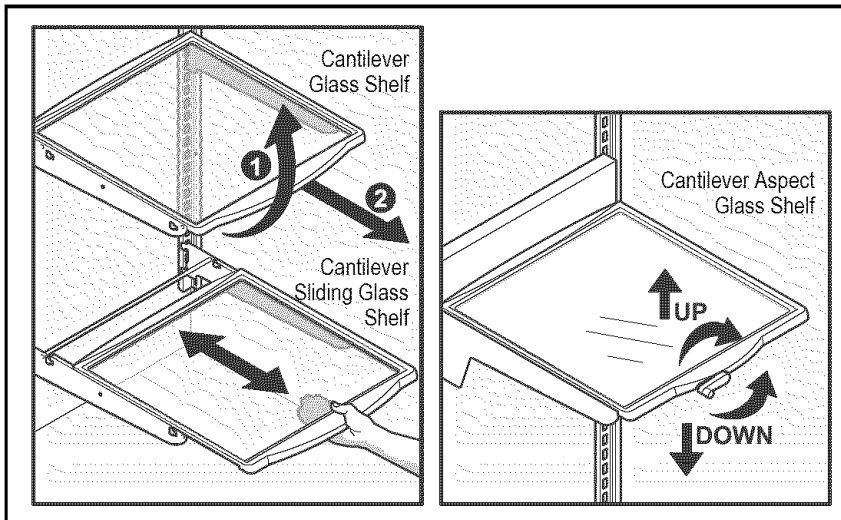


## Caution

To avoid injury from breakage, handle tempered glass shelves carefully. Shelves may break suddenly if nicked, scratched, or exposed to sudden temperature change.

## Cantilever Shelves

You can easily adjust shelf positions in the freezer and fresh food compartments to suit your needs. The shelves have mounting brackets, which attach to slotted supports at the rear of each compartment.



To change the position of a shelf:

- 1 Before adjusting a shelf, remove all food.
- 2 Lift the front edge up.
- 3 Pull the shelf out.
- 4 Replace by inserting the mounting bracket hooks into the desired support slots.
- 5 Lower the shelf and lock into position.

## Shelf Features

Your refrigerator includes glass shelves, which are designed to catch and hold accidental spills. These shelves slide out for easy access to food and faster cleaning.

Sliding shelves can be pulled forward as far as their built-in stops allow. Sliding shelves cannot be separated from their mounting brackets.

## Drawers

Your refrigerator includes a variety of storage drawers. These drawers usually are located in fixed positions at the bottom of the fresh food compartment.

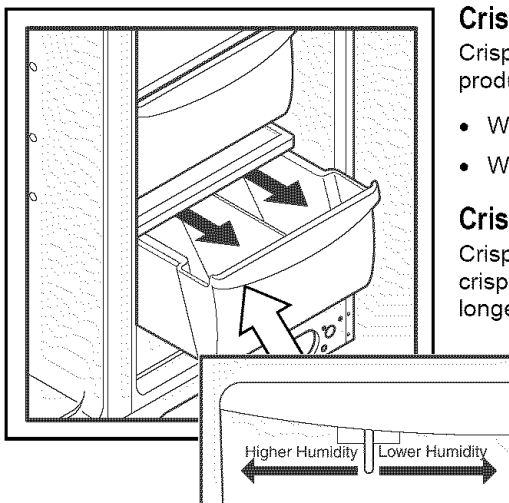
### Crispers

Crisper drawers are designed for storing fruits, vegetables, and other fresh produce. Before storing items in a crisper:

- Wash items in clear water and remove excess water.
- Wrap any items that have strong odors or high moisture content.

### Crisper Humidity Control

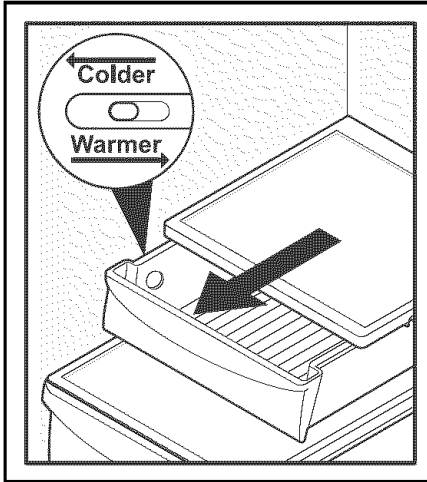
Crisper drawers include a sliding control for adjusting the humidity inside the crisper. This feature can extend the life of certain fresh vegetables that keep longer in high humidity.



# 18 Storage Features

## Note

Leafy vegetables keep best when stored with the Humidity Control set on Higher Humidity, or in a drawer without a Humidity Control. This keeps incoming air to a minimum and maintains maximum moisture content.



## Meat Keeper

Some models are equipped with a meat keeper drawer for short term storage of bulk meat items. This drawer includes a sliding control for adjusting the temperature inside.

Any meat to be kept longer than two days should be frozen. If you store fruits or vegetables in this drawer, set it to a warmer temperature to prevent freezing.

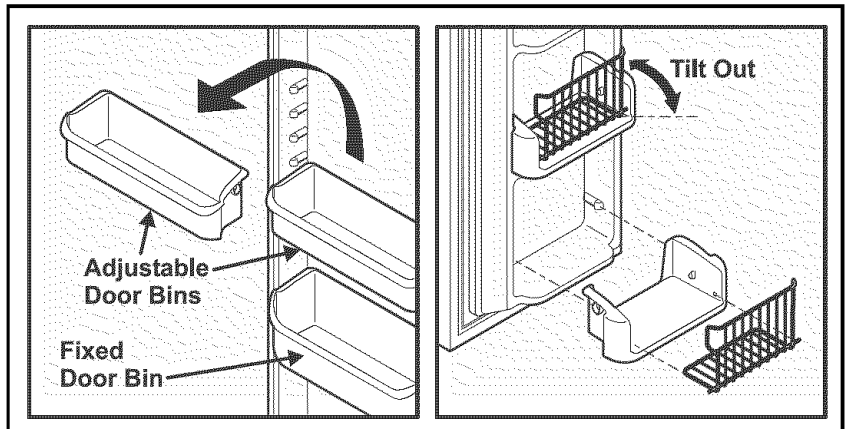
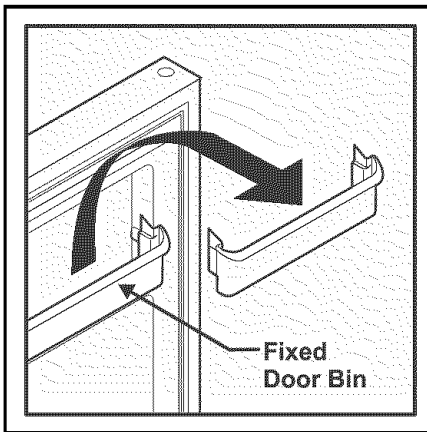
## Door Storage Bins

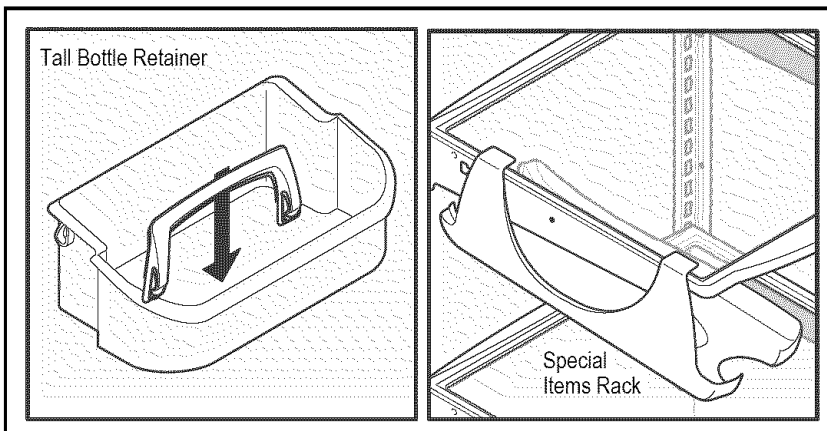
The doors to your freezer and fresh food compartments use a system of modular storage bins. All of these bins are removable for easy cleaning. Some of them have fixed positions, while others can be adjusted to your needs.

Door bins are ideal for storing jars, bottles, cans, and large drink containers. They also enable quick selection of frequently used items.

### To change the position of an adjustable door bin:

- 1 Before adjusting a bin, remove all food.
- 2 Grip the bin firmly with both hands and lift it upward.
- 3 Remove the bin.
- 4 Place the bin just above desired position.
- 5 Lower the bin onto supports until locked in place.





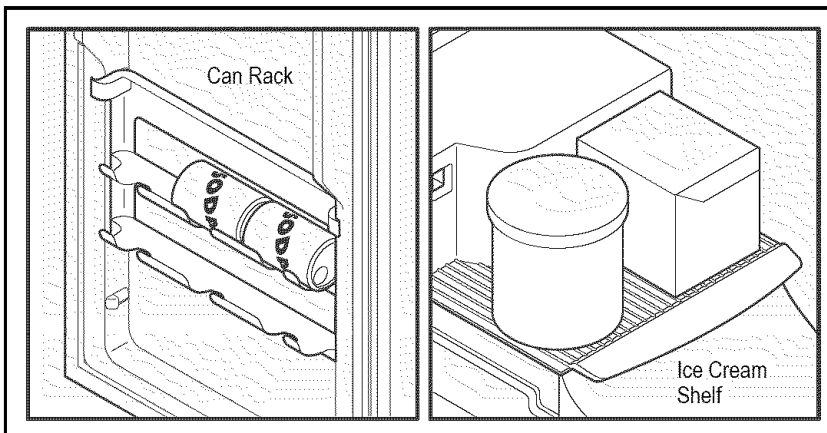
## Accessories

### Tall Bottle Retainer

The tall bottle retainer keeps tall containers in the bin from falling forward when opening or closing the refrigerator door. To install, snap the ends of the retainer over the edge of the retainer wall as shown in the illustration.

### Special Items Rack

The innovative design of the special items rack allows you to store a six-pack of 12 ounce drink cans, a bottle of wine, a two-liter soft drink bottle, or a carton of eggs. To install, slide the special item rack onto the left side of any shelf as shown in the illustration.

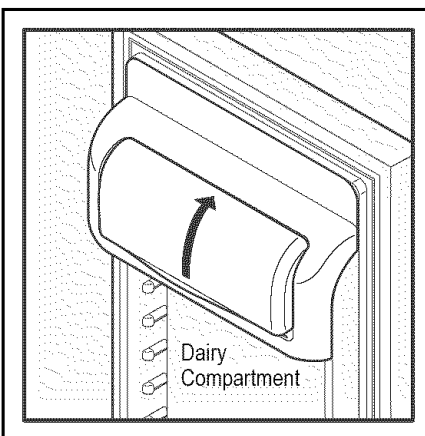


### Can Rack

The can rack allows you to efficiently and securely store up to six twelve-ounce cans of beverage drink.

### Ice Cream Shelf

The ice cream shelf attaches to the top of the ice dispenser container. It allows storage of both round and rectangular cartons of your favorite ice cream.



### Dairy Compartment

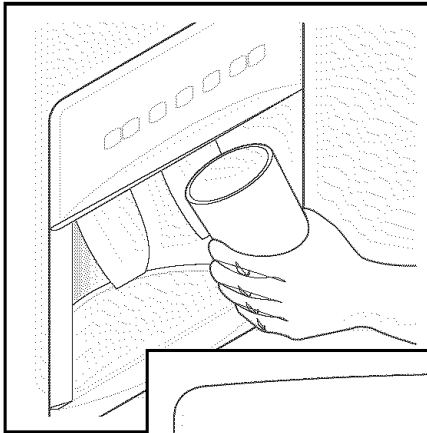
Use the dairy compartment, at the top of the fresh food compartment door, for short term storage of cheese, spreads, or butter. The dairy compartment, which includes a lift-up cover, is designed to be warmer than the open storage area to accommodate these types of food.



### Caution

To avoid errors in your refrigerator's control system, do not remove the magnet that is mounted behind the dairy compartment.

# 20 Automatic Ice & Water Dispenser



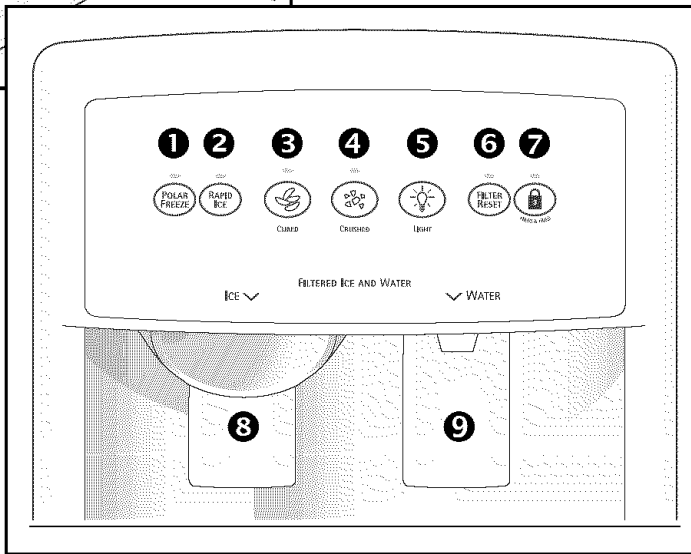
## Using The Dispenser

Your automatic ice & water dispenser includes a control panel, a drinking glass bay, and two push-paddles for turning on the ice and water supplies.

Using the dispenser control panel is necessary for the ice dispenser but not the water dispenser. The control panel also includes options for lighting, filter monitoring, and increasing the rates of ice making and freezing.

### Dispensing Ice

To operate the ice dispenser (8), press an option for crushed or cubed ice on the control panel. Press a drinking glass against the dispensing paddle (as far up as possible to catch all the ice). To stop, pull the glass away from the dispensing paddle. See details for operating the dispenser controls below.



### Dispensing Water

To operate the water dispenser (9), press a drinking glass against the dispensing paddle. To stop dispensing water, pull the glass away from the dispensing paddle. The dispensed water is not cold. For colder water, first add crushed ice or cubes to your drinking glass.

### Drip Tray

A drip tray located at the base of the dispenser bay catches small spills and allows them to evaporate. This drip tray is removable for easy cleaning.

## Guide To Dispenser Controls

<b>1 Polar Freeze</b>	Press and hold touchpad for 3-5 seconds to activate faster rate for freezing food (preserving freshness). Light displays green. Press and hold touchpad for 3-5 seconds again to deactivate.
<b>2 Rapid Ice</b>	Press and hold touchpad for 3-5 seconds to increase ice production for special occasions, such as parties. Light displays green. Press and hold touchpad for 3-5 seconds again to deactivate.
<b>3 Cube</b>	Press touchpad to get cubed ice. Light displays green. Press glass against ice dispensing paddle, holding high up to catch all ice.
<b>4 Crush</b>	Press touchpad to get crushed ice. Light displays green. Press glass against ice dispensing paddle, holding high up to catch all ice.
<b>5 Light</b>	Press touchpad to turn on dispenser light. Light displays green. Press touchpad again to turn off dispenser light. Dispenser light also turns on automatically when ice and/or water is dispensed.
<b>6 Filter Reset (&amp; Status Light)</b>	Light displays in one of three possible colors each time the dispenser is used to show status of water filter: <b>Green</b> Water filter does not need changing. <b>Amber</b> Water filter is about 80 percent used. Please order a new one. <b>Red</b> Water filter is 100 percent used. Please change as soon as possible. After replacing the water filter, reset the filter status by pressing and holding touchpad for 10-15 seconds.
<b>7 Lock</b>	The dispenser can be locked to prevent unwanted use. To lock, press and hold touchpad for 3-5 seconds. Light displays red. To unlock, press and hold touchpad for 3-5 seconds until light goes out.

### Note

Please do not pour excess water and ice into the drip tray. It does not have a drain.

## Priming The Water Supply System

Your refrigerator's water supply system includes several tubing lines, an advanced water filter, a distribution valve bank, and a reserve tank to ensure ample supply to the ice and water dispenser at all times. This system needs to be completely filled with water when first connected to an external supply line.

### Caution

For proper dispenser operation, recommended water supply pressure should fall between 20 psi and 100 psi. Excessive pressure may cause water filter to malfunction.

### To prime the water supply system:

- 1 Begin filling the tank by pressing and holding a drinking glass against the water dispenser paddle.
- 2 Keep the glass in this position until water comes out of the dispenser. It may **take about 1½ minutes**.
- 3 Continue dispensing water for about 3 minutes to flush the system and plumbing connections of any impurities (stopping to empty the glass as necessary).

### Note

The water dispenser has a built-in device that shuts off the water flow after 3 minutes of continuous use. To reset this shutoff device, simply release the dispenser paddle.

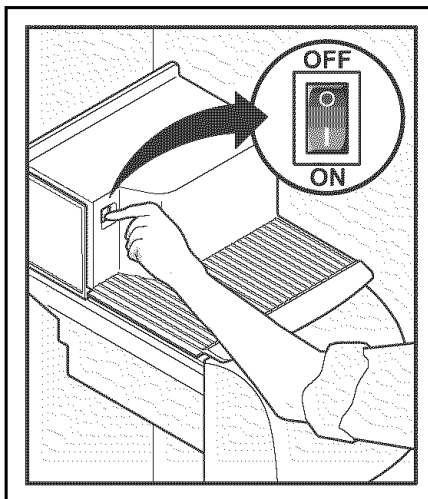
### Caution

Pushing the dispensing paddle in for more than 4 minutes may cause the dispenser motor to overload and stop. The overload protector resets automatically after 3-4 minutes.

## Ice Dispenser Operation & Care

### Important

The ice maker is turned on at the factory to work as soon as you install your refrigerator. If you cannot connect a water supply, turn the ice maker's On/Off switch to the off (O) position. Otherwise, the ice maker's fill valve may be noisy when it attempts to operate without water.



The ice maker, ice bin, and dispenser feeding mechanism are located in the top of the freezer compartment. After the refrigerator is installed properly and has cooled for several hours, the ice maker can produce ice within 24 hours. It can completely fill an ice bin in about two days.

### Using The Ice Dispenser After Installation

Before making ice for the first time, be sure to prime the water supply system as described on page 21. Air in new plumbing lines can result in two or three empty ice maker cycles. Furthermore, if the system is not flushed, the first ice cubes may be discolored or have an odd flavor.

### Turning The Ice Dispenser On And Off

Ice production is controlled by the ice maker's On/Off power switch. Press the switch to the "O" position to turn it Off and press to the "I" position to turn it On.

# 22 Automatic Ice & Water Dispenser

## Note

The ice maker also has a built-in wire signal arm, which automatically stops ice production when the ice bin is full. This signal arm should not be used to manually stop the ice maker.

## Ice Dispenser Tips

- Ice cubes stored too long may develop an odd flavor. Empty the ice container as explained on the next page.
- Occasionally shake the ice container to keep ice separated.
- If your refrigerator is not connected to a water supply or the water supply is turned off, turn off the ice maker by pressing the On/Off switch to the "O" position.
- If you need a large quantity of ice at one time, it is best to get cubes directly from the ice container.
- The following sounds are normal when the ice maker is operating:
  - Motor running
  - Ice dropping into ice container
  - Water valve opening or closing
  - Ice loosening from tray
  - Running water
- Turn off the ice maker when cleaning the freezer and during vacations.
- If you turn off the ice maker for a long period of time, you should also turn off the water supply valve.



## Caution

Chemicals from a malfunctioning water softener can damage the ice maker. If the water supply to your refrigerator is softened, be sure the softener is maintained to work properly.

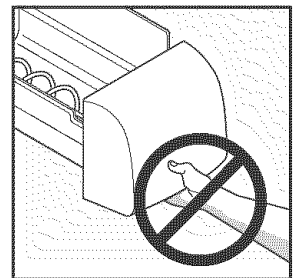
## Cleaning The Dispenser

Clean the ice maker and ice bin at regular intervals, particularly before you take a vacation or move.



## Caution

When removing the ice bin, do not grip the ice chute (beneath the front of the bin) as a handle. Surfaces in the ice chute may be sharp.



### To clean the ice dispenser:

- 1 Turn off ice production by pressing the On/Off switch to the "O" position.
- 2 Remove the ice bin by lifting up and out.
- 3 Empty and carefully clean the ice bin with *mild* detergent. Rinse with clear water. Do not use harsh or abrasive cleaners.
- 4 Allow the ice bin to dry completely before replacing in the freezer.
- 5 Remove ice chips and clean the ice bin shelf and the freezer door chute (for more tips on care and cleaning, see page 29).
- 6 Replace the ice bin. Press the Off/On the "I" position switch to resume ice production.

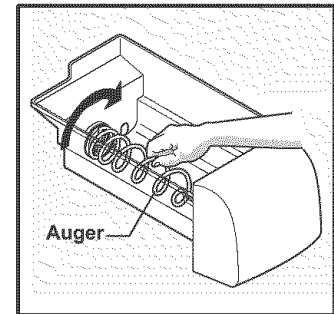
### Remove and empty the ice storage bin if:

- An extended power failure (one hour or longer) causes ice cubes in the ice storage bin to melt and freeze together, jamming the dispenser mechanism.
- You do not use the ice dispenser frequently. Ice cubes will freeze together in the bin, jamming the dispenser mechanism.

Remove the ice storage bin and shake to loosen the cubes or clean as explained above. *Never* use an ice pick or similar sharp instrument to break up the ice. This could damage the ice storage bin and dispenser mechanism.

### Important

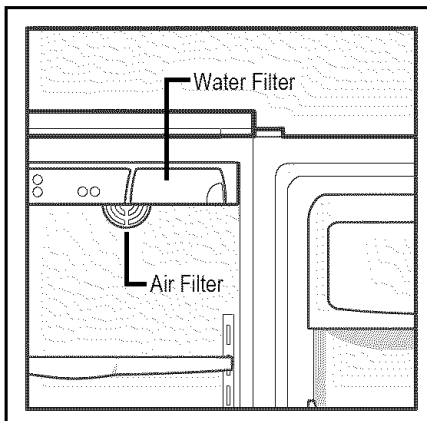
When removing the ice bin, avoid rotating the auger inside the bin. The auger must align with its drive mechanism when the bin is replaced. If you accidentally move the auger, realign by making quarter turns until the ice bin fits back in place.



## Replacing Filters

### Locating The Filters

Your refrigerator is equipped with separate water and air filtering systems. The water filter system filters all dispensed drinking water, as well as the water used to produce ice. The air filter removes odors and impurities from the refrigerator compartment.



#### Water Filter

The water filter is located at the top of the fresh food compartment, next to the electronic control system panel. For more information about when to replace the filter, see "Using The Dispenser" on page 20.

#### Air Filter

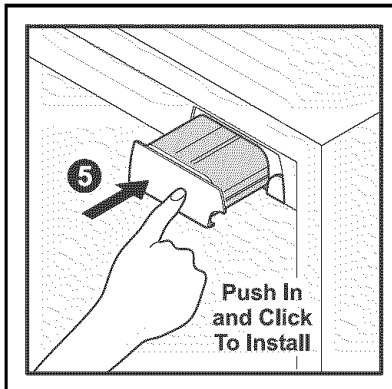
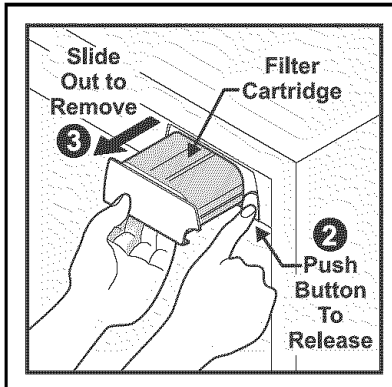
The air filter is located inside the refrigerator compartment at the top rear corner. For more information about when to replace the filter, see "Checking the Air Filter Status" on page 16.

## Ordering Replacement Filters

Order new filters through the dealer where you bought your refrigerator, or contact the Sears PartsDirect at **1-800-366-PART**. You may want to consider ordering extra filters when you first install your refrigerator. Here are the product number to request when ordering:

**Water Filter** Kenmore Replacement Cartridge 9916

**Air Filter** Kenmore Replacement Filter 9917



## Replacing The Water Filter

In general, you should change the water filter every six to nine months to ensure highest possible water quality. The **Filter Status** light on the dispenser control panel (see page 20) prompts you to replace the filter after 400 gallons of water has flowed through the system. If your refrigerator has not been used for a period of time (during moving for example), change the filter before reinstalling the refrigerator.

### To replace your water filter:

It is not necessary to turn the water supply off to change the filter. Be ready to wipe up any small amounts of water released during the filter replacement. The bottom of the filter housing includes two small water drainage holes, so be sure to remove any stored food from the top shelf.

- 1 Turn **Off** the ice maker power switch (see page 21 for more about turning off the ice maker).
- 2 Push the filter release button to the right of the cartridge to disconnect it.
- 3 Slide the old filter cartridge straight out of the housing and discard it.
- 4 Unpackage the new filter cartridge and slide it gently into the filter housing until it stops against the snap-in connector at the back of the housing.
- 5 **Push firmly until the cartridge snaps into place.** When fully engaged, the front of the filter cartridge should be flush with the filter release button.
- 6 Turn **On** the ice maker power switch (see page 21 for more about turning on the ice maker).
- 7 Press a drinking glass against the water dispenser while checking for any leaks at the filter housing. Any spurts and sputters that occur as the system purges air out of the dispenser system are normal.
- 8 After filling one glass of water, continue flushing the system for about three minutes.
- 9 Press and hold the **Filter Reset** button on the Ice & Water Dispenser control panel for 3 seconds. The light flashes red, amber, and green to indicate the Filter Status has been reset.

### Note

The o-rings on a new water filter are lubricated. To ensure a good seal, please do not remove this lubricant.



#### More About Your Advanced Water Filter

The Kenmore Ice & Water Filter System is tested and certified by NSF International, the nationally respected, not-for-profit certification organization for public health safety. The Kenmore filter system is tested and certified to ANSI/NSF Standards 42 and 53. See the performance data sheet that came with your product for detailed specifications. This system should not be used on water that is microbiologically unsafe or with water of unknown quality unless the water has been adequately disinfected before or after traveling through the filtration system.

- Rated Capacity - 400 gallons
- Rated service flow - .5 gallons per minute
- Maximum Rated Pressure - 100 pounds per square inch
- Maximum Operating Temp. - 100° F

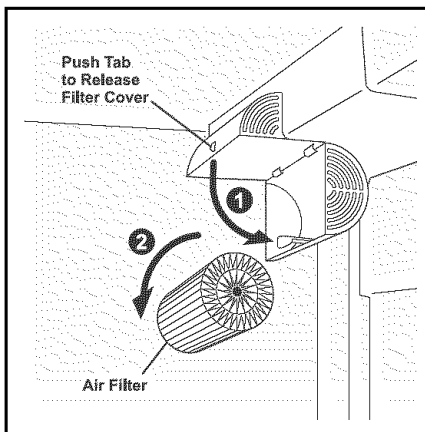


## Replacing The Air Filter

In general, you should change the air filter every six months to ensure optimal filtering of refrigerator odors. You may want to adjust this time period depending on the types and amounts of food you typically store in your refrigerator.

### Note

The electronic control panel, located at the top of the refrigerator compartment, includes controls to monitor the status of your air filter, including indicator lights that remind you when to order and change the filter. For more information about these controls, see "Checking the Air Filter Status" on page 16.



### To replace your air filter:

- 1 Push the plastic bubble tab located on the side of the air filter housing. This releases the hinged bottom half to drop open.
- 2 Remove the old filter and discard it.
- 3 Unpackage the new filter and place it inside the hinged bottom half of the housing.
- 4 Push the hinged bottom half upward until the tab snaps into closed position.
- 5 Press and hold the **Filter Reset** button on the electronic control panel for 3 seconds. When the **Filter OK** light comes on, the status has been reset.
- 6 Press and hold the **Filter Reset** button for 3 seconds again to turn off the filter status system.

# Storing Food & Saving Energy

## Ideas For Storing Foods

### Fresh Food Storage

- Keep the fresh food compartment between 34° F and 40° F with an optimum temperature of 37° F (see page 13 for more about temperature settings).
- Avoid overcrowding the refrigerator shelves, which reduces air circulation and causes uneven cooling.

### Fruits and Vegetables

- Store fruits and vegetables in crisper drawers, where trapped moisture helps preserve food quality for longer time periods.

### Meat

- Wrap raw meat and poultry securely so leakage and contamination of other foods or surfaces does not occur.
- Use the meat keeper drawer for short term storage. Any meat to be kept longer than two days should be frozen.
- See page 18 for more about the meat keeper drawer.

# 26 Storing Food & Saving Energy

## Frozen Food Storage

- Keep the freezer compartment at 0° F or lower (see page 14 for more about temperature settings).
- A freezer operates most efficiently when it is at least 2/3 full.

## Packaging Foods for Freezing

- To minimize food dehydration and quality deterioration, use aluminum foil, freezer wrap, freezer bags or airtight containers. Force as much air out of the packages as possible and seal them tightly. Trapped air can cause food to dry out, change color, and develop an off-flavor (freezer burn).
- Wrap fresh meats and poultry with suitable freezer wrap prior to freezing.
- Do not refreeze meat that has completely thawed.

## Loading the Freezer

- Avoid adding too much warm food to the freezer at one time. This overloads the freezer, slows the rate of freezing, and can raise the temperature of frozen foods.
- Leave a space between packages, so cold air can circulate freely, allowing food to freeze as quickly as possible.
- Avoid storing hard-to-freeze foods, such as ice cream and orange juice, on the freezer door shelves. These foods are best stored in the freezer interior where the temperature varies less.

## Ideas For Saving Energy

### Installation

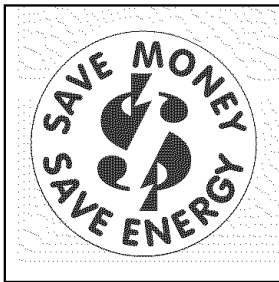
- Locate the refrigerator in the coolest part of the room, out of direct sunlight, and away from heating ducts or registers. Do not place the refrigerator next to heat-producing appliances such as a range, oven, or dishwasher. If this is not possible, a section of cabinetry or an added layer of insulation between the two appliances will help the refrigerator operate more efficiently.
- Level the refrigerator so that the doors close tightly.

### Temperature Settings

- Refer to earlier sections in this *Use & Care Manual* (beginning on page 12) for recommendations on temperature control settings.

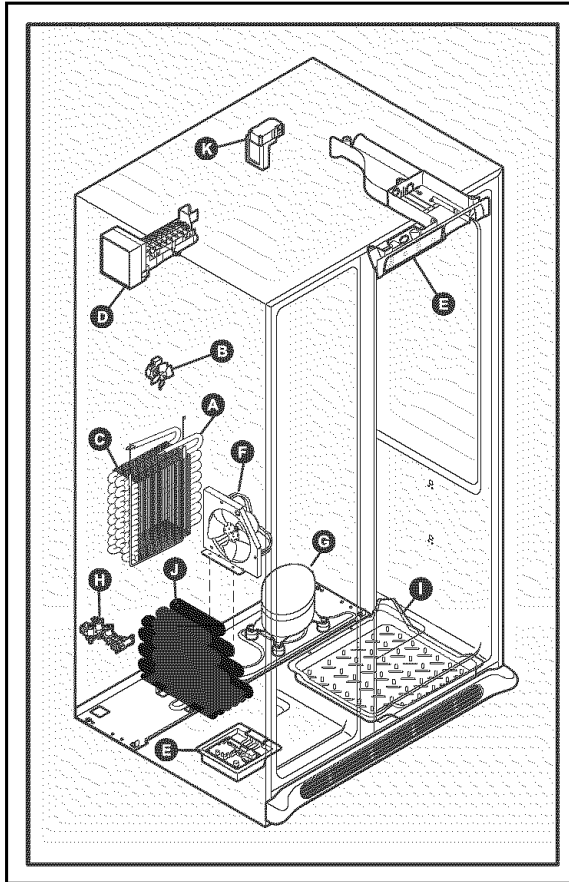
### Food Storage

- Avoid overcrowding the refrigerator or blocking cold air vents. Doing so causes the refrigerator to run longer and use more energy.
- Cover foods and wipe containers dry before placing them in the refrigerator. This cuts down on moisture build-up inside the unit.
- Organize the refrigerator to reduce door openings. Remove as many items as needed at one time and close the door as soon as possible.



Your new high-efficiency refrigerator may introduce unfamiliar sounds. These sounds normally indicate your refrigerator is operating correctly. Some surfaces on floors, walls, and kitchen cabinets may make these sounds more noticeable.

Following is a list of major components in your refrigerator and the sounds they can cause:



**A Evaporator**

Refrigerant through the evaporator may create a boiling or gurgling sound.

**B Evaporator Fan**

You may hear air being forced through the refrigerator by the evaporator fan.

**C Defrost Heater**

During defrost cycles, water dripping onto the defrost heater may cause a hissing or sizzling sound. After defrosting, a popping sound may occur.

**Important**

During automatic defrost cycle, a red glow in the back wall vents of your freezer compartment is normal.

**D Automatic Ice Maker**

When ice has been produced, you will hear ice cubes falling into the ice bin.

**E Cold Control & Automatic Defrost Control**

These parts can produce a snapping or clicking sound when turning the cooling system on and off.

**F Condenser Fan**

You may hear air being forced through the condenser.

**G Compressor**

Modern, high-efficiency compressors run much faster than in the past. The compressor may have a high-pitched hum or pulsating sound.

**H Water Valve**

Makes a buzzing sound each time it opens to fill the ice maker.

**I Drain Pan (not removable)**

You may hear water dripping into the drain pan during the defrost cycle.

**J Condenser**

May create minimal sounds from forced air.

**K Motorized Damper**

May produce a light humming during operation.

**Note**

Energy efficient foam in your refrigerator is not a sound insulator.

## Protecting Your Investment

Keeping your refrigerator clean maintains appearance and prevents odor build-up. Wipe up any spills immediately and clean the freezer and fresh food compartments at least twice a year. When cleaning, take the following precautions:

- Never use metallic scouring pads, brushes, abrasive cleaners or strong alkaline solutions on any surface.
- Do not wash any removable parts in a dishwasher.
- Always unplug the electrical power cord from the wall outlet before cleaning.

### Note

If you set your temperature controls to turn off cooling, power to lights and other electrical components continues until you unplug the power cord from the wall outlet.

- Remove adhesive labels by hand. Do not use razor blades or other sharp instruments which can scratch the appliance surface.
- Do not remove the serial plate.

Refer to the guide on the next page for details on caring and cleaning specific areas of your refrigerator.



### Caution

- Pull the refrigerator straight out to move it. Shifting it from side to side may damage flooring. Be careful not to move the refrigerator beyond the plumbing connections.
- Damp objects stick to cold metal surfaces. Do not touch refrigerated surfaces with wet or damp hands.

### Important

If you store or move your refrigerator in freezing temperatures, be sure to completely drain the water supply system. Failure to do so could result in water leaks when the refrigerator is put back into service. Contact a service representative to perform this operation.

## Care & Cleaning Tips

Part	Cleaning Agents	Tips and Precautions
Interior & Door Liners	<ul style="list-style-type: none"> <li>• Soap and water</li> <li>• Baking soda and water</li> </ul>	<ul style="list-style-type: none"> <li>• Use 2 tablespoons of baking soda in 1 quart of warm water.</li> <li>• Be sure to wring excess water out of sponge or cloth before cleaning around controls, light bulb or any electrical part.</li> </ul>
Door Gaskets	<ul style="list-style-type: none"> <li>• Soap and water</li> </ul>	<ul style="list-style-type: none"> <li>• Wipe gaskets with a clean soft cloth.</li> </ul>
Drawers & Bins	<ul style="list-style-type: none"> <li>• Soap and water</li> </ul>	<ul style="list-style-type: none"> <li>• Use a soft cloth to clean drawer runners and tracks.</li> <li>• Do not wash any removable items (bins, drawers, etc.) in dishwasher.</li> </ul>
Glass Shelves	<ul style="list-style-type: none"> <li>• Soap and water</li> <li>• Glass cleaner</li> <li>• Mild liquid sprays</li> </ul>	<ul style="list-style-type: none"> <li>• Allow glass to warm to room temperature before immersing in warm water.</li> </ul>
Toe Grille	<ul style="list-style-type: none"> <li>• Soap and water</li> <li>• Mild liquid sprays</li> <li>• Vacuum attachment</li> </ul>	<ul style="list-style-type: none"> <li>• Vacuum dust from front of toe grille.</li> <li>• Remove toe grille (see Installation Instructions.).</li> <li>• Vacuum backside and wipe with sudsy cloth or sponge. Rinse and dry.</li> </ul>
Exterior & Handles	<ul style="list-style-type: none"> <li>• Soap and water</li> <li>• Non Abrasive Glass Cleaner</li> </ul>	<ul style="list-style-type: none"> <li>• Do not use commercial household cleaners, ammonia, or alcohol to clean handles.</li> <li>• Use a soft cloth to clean smooth handles.</li> <li>• Do not use a dry cloth to clean smooth doors.</li> </ul>
Exterior & Handles (Stainless Steel Models Only)	<ul style="list-style-type: none"> <li>• Soap and water</li> <li>• Ammonia</li> <li>• Stainless Steel Cleaners</li> </ul>	<ul style="list-style-type: none"> <li>• Clean stainless steel front and handles with non-abrasive soapy water and a dishcloth. Rinse with clean water and a soft cloth.</li> <li>• Wipe stubborn spots with an ammonia-soaked paper towel, and rinse. Use a non-abrasive stainless steel cleaner. These cleaners can be purchased at most home improvement or major department stores. Always follow manufacturer's instruction.</li> </ul> <p><b>Note</b> Always, clean, wipe and dry with grain to prevent scratching.</p> <ul style="list-style-type: none"> <li>• Wash the rest of the cabinet with warm water and mild liquid detergent. Rinse well, and wipe dry with a clean soft cloth.</li> </ul>

## Vacation & Moving Tips

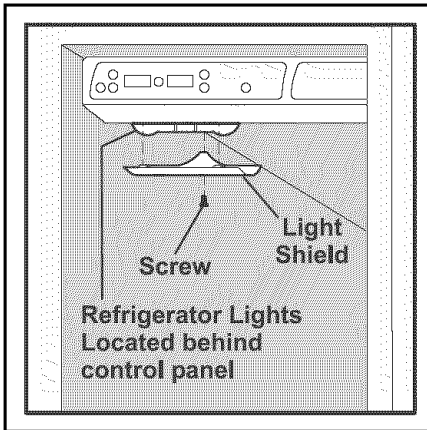
Occasion	Tips
Short Vacations	<ul style="list-style-type: none"> <li>• Leave refrigerator operating during vacations of 3 weeks or less.</li> <li>• Use all perishable items from refrigerator compartment.</li> <li>• Turn automatic ice maker off and empty ice bucket, even if you will only be gone for a few days.</li> </ul>
Long Vacations	<ul style="list-style-type: none"> <li>• Remove all food and ice if you will be gone one month or more.</li> <li>• Turn the cooling system off (see page 15 for location of <b>On/Off</b> button) and disconnect power cord.</li> <li>• Turn off automatic ice maker and turn water supply valve to closed position.</li> <li>• Clean interior thoroughly.</li> <li>• Leave both doors open to prevent odors and mold build-up. Block doors open if necessary.</li> </ul>
Moving	<ul style="list-style-type: none"> <li>• Remove all food and ice.</li> <li>• If using handcart, load from side.</li> <li>• Adjust rollers all the way up to protect them during sliding or moving.</li> <li>• Pad cabinet to avoid scratching surface</li> </ul>

## Replacing Light Bulbs

Both the freezer and fresh food compartments of your refrigerator include light bulbs that will need replacing from time to time. Some lights have covers that you will need to remove before replacing the bulbs. Always use bulbs that are designed for appliance lighting.

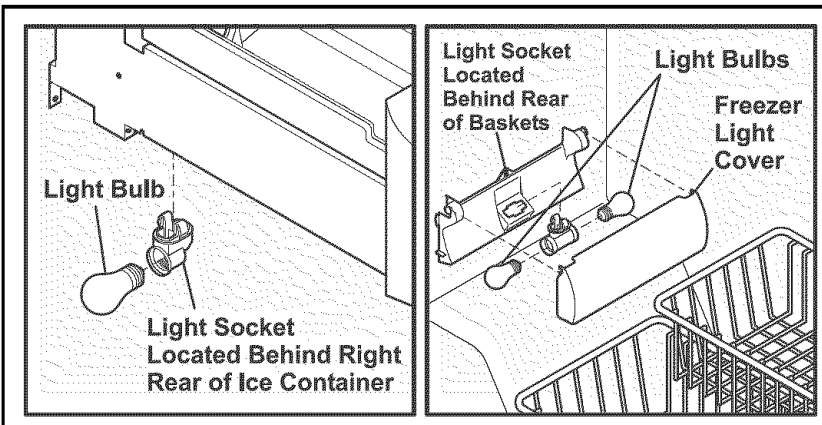
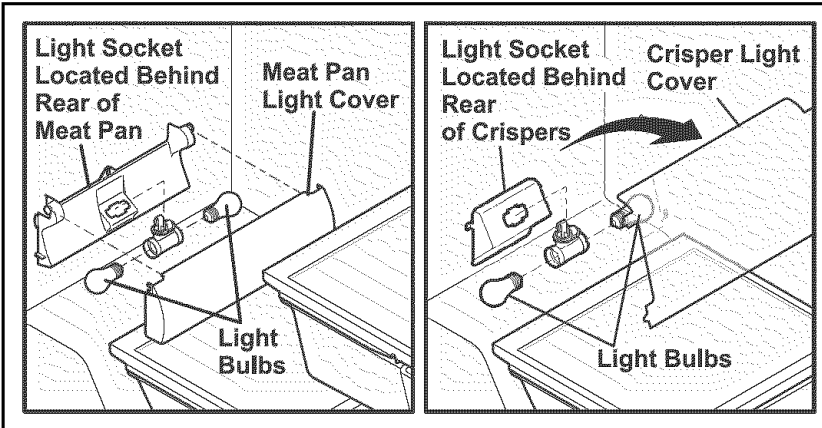
### Caution

Wear gloves when replacing light bulbs to avoid getting cut.



#### To replace light bulbs:

- 1 Unplug your refrigerator's power cord.
- 2 Wear gloves as protection against possible broken glass.
- 3 Remove light cover, if necessary.
- 4 Unscrew and replace old bulb with an appliance bulb of the same type and wattage (normally 40 watts).
- 5 Replace light cover, if necessary.
- 6 Plug in the refrigerator's power cord.



## Before You Call...

If you experience a problem with your refrigerator or notice a product behavior or condition you do not understand, you can usually avoid a call to your service representative by referring to this section for an answer. Beginning with the following table, this information includes common problems, causes, and suggested solutions.

### Running Your Refrigerator

Problem	Cause	Correction
Compressor does not run.	<ul style="list-style-type: none"> <li>• Cooling system is turned Off.</li> <li>• Refrigerator is in defrost cycle.</li> <li>• Plug at wall outlet is disconnected.</li> <li>• House fuse blown or tripped circuit breaker.</li> <li>• Power outage.</li> </ul>	<ul style="list-style-type: none"> <li>• Turn cooling system On. See page 16 for location of cooling system On/Off button.</li> <li>• This is normal for a fully automatic defrost refrigerator. The defrost cycle occurs periodically, lasting about 30 minutes.</li> <li>• Ensure plug is tightly pushed into outlet.</li> <li>• Check/replace fuse with a 15 amp time-delay fuse. Reset circuit breaker.</li> <li>• Check house lights. Call local Electric Company.</li> </ul>
Refrigerator runs too much or too long.	<ul style="list-style-type: none"> <li>• Room or outside weather is hot.</li> <li>• Refrigerator has recently been disconnected for a period of time.</li> <li>• Automatic ice maker is operating.</li> <li>• Doors are opened too frequently or too long.</li> <li>• Refrigerator/freezer door may be slightly open.</li> <li>• Freezer control is set too cold (control found in fresh food section).</li> <li>• Fresh food/freezer gasket is dirty, worn, cracked, or poorly fitted.</li> </ul>	<ul style="list-style-type: none"> <li>• It's normal for the refrigerator to work longer under these conditions.</li> <li>• It takes 8-12 hours for the refrigerator to cool down completely.</li> <li>• Ice maker operation causes refrigerator to run slightly more.</li> <li>• Warm air entering the refrigerator causes it to run more. Open doors less often.</li> <li>• Ensure refrigerator is level. Keep food and containers from blocking door. See Problem section Opening/ Closing of Doors/ Drawers.</li> <li>• Set freezer control to warmer setting until refrigerator temperature is satisfactory. Allow 24 hours for temperature to stabilize.</li> <li>• Clean or change gasket. Leaks in door seal will cause refrigerator to run longer in order to maintain desired temperatures.</li> </ul>
Compressor does not run.	<ul style="list-style-type: none"> <li>• Electronic control system keeps the refrigerator at a constant temperature.</li> </ul>	<ul style="list-style-type: none"> <li>• This is normal. Refrigerator goes on and off to keep temperature constant.</li> </ul>
Digital temperature displays are flashing.	<ul style="list-style-type: none"> <li>• Electronic control system has detected a performance problem.</li> </ul>	<ul style="list-style-type: none"> <li>• Call your Sears service representative, who can interpret any messages or number codes flashing on the digital displays.</li> </ul>

### Temperatures Are Too Cold

Problem	Cause	Correction
Freezer temperature too cold. Refrigerator temperature is satisfactory.	<ul style="list-style-type: none"> <li>• Freezer control is set too cold.</li> </ul>	<ul style="list-style-type: none"> <li>• Set freezer control to a warmer setting. Allow 24 hours for temperature to stabilize.</li> </ul>
Refrigerator temperature too cold. Freezer temperature is satisfactory.	<ul style="list-style-type: none"> <li>• Refrigerator control is set too cold.</li> </ul>	<ul style="list-style-type: none"> <li>• Set refrigerator control to a warmer setting. Allow 24 hours for temperature to stabilize.</li> </ul>
Food stored in drawers freezes.	<ul style="list-style-type: none"> <li>• Refrigerator control is set too cold.</li> </ul>	<ul style="list-style-type: none"> <li>• See solution above.</li> </ul>
Food stored in Meat Keeper freezes (some models).	<ul style="list-style-type: none"> <li>• Meat Keeper temperature control is set too cold.</li> </ul>	<ul style="list-style-type: none"> <li>• Adjust Meat Keeper temperature control to a lower setting. Meat should be stored at a temperature just below the freezing point for maximum fresh storage time. It is normal for ice crystals to form due to the moisture content of meat.</li> </ul>

### Temperatures Are Too Warm

Problem	Cause	Correction
Freezer/Refrigerator temperature is too warm.	<ul style="list-style-type: none"> <li>• Doors are opened too frequently or too long.</li> <li>• Door is slightly open.</li> </ul>	<ul style="list-style-type: none"> <li>• Warm air enters the refrigerator whenever the door is opened. Open the door less often.</li> <li>• See Problem section Opening/Closing Of Doors/Drawers.</li> </ul>
Freezer temperature is too warm. Refrigerator temperature is satisfactory.	<ul style="list-style-type: none"> <li>• Freezer control is set too warm.</li> </ul>	<ul style="list-style-type: none"> <li>• Set freezer control to a colder setting. Allow 24 hours for temperature to stabilize.</li> </ul>
Refrigerator temperature is too warm. Freezer temperature is satisfactory.	<ul style="list-style-type: none"> <li>• Refrigerator control is set too warm.</li> </ul>	<ul style="list-style-type: none"> <li>• Set refrigerator control to a colder setting. Allow 24 hours for temperature to stabilize.</li> </ul>
Temperature in the Meat Keeper is too warm (some models).	<ul style="list-style-type: none"> <li>• Meat Keeper temperature control is set too warm.</li> </ul>	<ul style="list-style-type: none"> <li>• Adjust Meat Keeper temperature control to a colder setting.</li> </ul>

### Water/Moisture/Frost Inside Refrigerator

Problem	Cause	Correction
Moisture collects on inside of refrigerator walls.	<ul style="list-style-type: none"> <li>• Weather is hot and humid.</li> <li>• Door is slightly open.</li> <li>• Door is opened too often or too long.</li> <li>• Open containers.</li> </ul>	<ul style="list-style-type: none"> <li>• The rate of frost buildup and internal sweating increases.</li> <li>• See Problem section Opening/Closing Of Doors/Drawers.</li> <li>• Open door less often.</li> <li>• Keep containers covered.</li> </ul>
Water collects on bottom side of drawer cover.	<ul style="list-style-type: none"> <li>• Vegetables contain and give off moisture.</li> </ul>	<ul style="list-style-type: none"> <li>• Moisture on the bottom side of the cover is not unusual.</li> <li>• Move humidity control (some models) to lower setting.</li> </ul>
Water collects in bottom of drawer.	<ul style="list-style-type: none"> <li>• Washed vegetables and fruit drain while in the drawer.</li> </ul>	<ul style="list-style-type: none"> <li>• Dry items before putting them in the drawer. Water collecting in bottom of drawer is normal.</li> </ul>

### Water/Moisture/Frost Outside Refrigerator

Problem	Cause	Correction
Moisture collects on outside of refrigerator or between doors.	<ul style="list-style-type: none"> <li>• Weather is humid.</li> <li>• Door is slightly open, causing cold air from inside refrigerator to meet warm air from outside.</li> </ul>	<ul style="list-style-type: none"> <li>• This is normal in humid weather. When humidity is lower, the moisture should disappear.</li> <li>• See Problem section Opening/Closing Of Doors/Drawers.</li> </ul>

### Automatic Ice Maker

Problem	Cause	Correction
Ice maker is not making any ice.	<ul style="list-style-type: none"> <li>• Ice maker power switch is Off.</li> <li>• Water supply is not connected to refrigerator.</li> <li>• Household water line valve is not open.</li> <li>• Freezer is not cold enough.</li> <li>• Valve on cold water pipe is clogged or restricted by foreign material. If valve is of the self-piercing type, it may not have created a sufficiently sized hole in tube for water to pass through).</li> <li>• Check to see if the water dispenser is dispensing water.</li> <li>• Water filter is not completely seated.</li> </ul>	<ul style="list-style-type: none"> <li>• Turn on power switch.</li> <li>• Connect water supply (see page 9).</li> <li>• Turn on household water line valve.</li> <li>• See Problem section Temperatures Are Too Warm.</li> <li>• Turn off household water line valve. Remove valve. Ensure that valve is not a self-piercing valve. Clean valve. Replace valve if necessary.</li> <li>• If not, the ice &amp; water filter cartridge is clogged or restricted, and must be replaced.</li> <li>• Push firmly until the water filter snaps into place.</li> </ul>



## Automatic Ice Maker

Problem	Cause	Correction
Ice maker is not making enough ice.	<ul style="list-style-type: none"> <li>Ice maker is producing less ice than you expect.</li> <li>Freezer is not cold enough.</li> <li>Household water line valve is not completely open.</li> <li>Check to see if water dispenser is dispensing slower than normal.</li> </ul>	<ul style="list-style-type: none"> <li>Ice maker should produce approximately 4-5 pounds of ice every 24 hours. <i>Rapid Ice</i> should produce up to 6 pounds of ice every 24 hours.</li> <li>See Problem section Temperatures Are Too Warm.</li> <li>Turn on household water line valve.</li> <li>If it is, replace the ice &amp; water filter cartridge.</li> </ul>
Ice maker will not stop making ice.	<ul style="list-style-type: none"> <li>Ice maker wire signal arm is being held down by some item in the freezer.</li> </ul>	<ul style="list-style-type: none"> <li>Move item and release wire signal arm. Remove any ice cubes frozen together over wire signal arm.</li> </ul>
Ice maker is not separating the ice cubes.	<ul style="list-style-type: none"> <li>Ice cubes are not being used frequently enough.</li> <li>Ice cubes are hollow or smaller than normal.</li> </ul>	<ul style="list-style-type: none"> <li>Remove and shake ice bin to separate cubes.</li> <li>The ice &amp; water filter cartridge may be clogged. Replace filter cartridge.</li> </ul>
Ice has bad odor and taste.	<ul style="list-style-type: none"> <li>Ice has picked up odor or flavor from strong food stored in refrigerator or freezer.</li> <li>Water running to ice maker has poor taste or odor.</li> <li>Ice not used frequently enough.</li> </ul>	<ul style="list-style-type: none"> <li>Cover foods tightly. Discard stale ice. Ice maker will produce fresh supply.</li> <li>Add filter to water supply line. Consult a water purifying company.</li> <li>Discard stale ice.</li> </ul>

## Ice Dispenser

Problem	Cause	Correction
Dispenser will not dispense ice.	<ul style="list-style-type: none"> <li>Water supply is not connected.</li> <li>Ice storage container is empty.</li> <li>Freezer temperature is set too warm.</li> <li>Household water line valve is not open.</li> <li>Freezer door is not closed.</li> <li>Ice dispensing arm has been held in for more than 4-5 minutes.</li> </ul>	<ul style="list-style-type: none"> <li>Connect water supply (see page 9).</li> <li>When the first supply of ice is dropped into the container, the dispenser should operate.</li> <li>Turn freezer control to a higher setting so that ice cubes will be made. When first supply of ice is made, dispenser should operate.</li> <li>Open household water line valve. Allow sufficient time for the ice to be made. When ice is made, the dispenser should operate.</li> <li>Ensure freezer door is closed.</li> <li>Motor is overloaded. Motor overload protector will reset in approximately 3 minutes. Ice can then be dispensed.</li> </ul>
Ice dispenser is jammed.	<ul style="list-style-type: none"> <li>Ice has melted and frozen around auger due to infrequent use, temperature fluctuations, and/or power outages.</li> <li>Ice cubes are jammed between ice maker and back of ice container.</li> <li>Ice cubes are frozen together.</li> <li>Ice cubes are hollow or smaller than normal.</li> </ul>	<ul style="list-style-type: none"> <li>Remove ice container, thaw, and empty the contents. Clean container, wipe dry, and replace in proper position. When new ice is made, dispenser should operate.</li> <li>Remove ice cubes that are jamming the dispenser.</li> <li>Use the dispenser often so that cubes do not freeze together.</li> <li>The ice &amp; water filter cartridge could be clogged. Replace the filter cartridge. Dispensing system operates best at 20-100 psi water pressure. Well water pressures should fall within this range.</li> </ul>
Dispenser will not dispense water.	<ul style="list-style-type: none"> <li>Water supply is not connected.</li> <li>Household water line valve is not open.</li> <li>Freezer door is not closed.</li> <li>Ice &amp; water filter cartridge is clogged.</li> <li>Front filter not fully installed, if equipped</li> </ul>	<ul style="list-style-type: none"> <li>Connect water supply (see page 9).</li> <li>Open household water line valve. See Problem section Ice Maker Is Not Making Ice.</li> <li>Ensure that freezer door is closed.</li> <li>Replace filter cartridge.</li> <li>Push filter in until you hear a "click." Filter should be flush with cabinet.</li> </ul>

## Water Dispenser

Problem	Cause	Correction
Water has an odd taste and/or odor.	<ul style="list-style-type: none"> <li>Water has been in the tank for a period of time.</li> <li>Unit not properly connected to cold water line.</li> <li>Tubing used in the household water supply and installation may affect water taste and odor.</li> <li>Water has a high mineral content.</li> </ul>	<ul style="list-style-type: none"> <li>Draw and discard 10-12 glasses of water to freshen the supply and completely rinse out the tank.</li> <li>Connect unit to cold water line that supplies water to the kitchen faucet.</li> <li>For best results, use copper tubing for water connections.</li> <li>Contact water treatment plant for help.</li> </ul>
Water pressure is extremely low.	<ul style="list-style-type: none"> <li>Cut-off and cut-on pressures are too low (well systems only).</li> <li>Reverse osmosis system is in regenerative phase.</li> </ul>	<ul style="list-style-type: none"> <li>Have someone turn up the cut-off and cut-on pressure on the water pump system (well systems only).</li> <li>It is normal for a reverse osmosis system to be below 20 psi during the regenerative phase.</li> </ul>

## Odors In Refrigerator

Problem	Cause	Correction
Interior is dirty.	<ul style="list-style-type: none"> <li>Interior needs to be cleaned.</li> <li>Food with strong odors is in refrigerator.</li> </ul>	<ul style="list-style-type: none"> <li>See <i>Care &amp; Cleaning Tips</i> on page 29.</li> <li>Cover food tightly.</li> </ul>

## Opening/Closing Of Doors/Drawers

Problem	Cause	Correction
Door(s) will not close.	<ul style="list-style-type: none"> <li>Door was closed too hard, causing other door to open slightly.</li> <li>Refrigerator is not level. It rocks on the floor when moved slightly.</li> <li>Refrigerator is touching a wall or cabinet.</li> </ul>	<ul style="list-style-type: none"> <li>Close both doors gently.</li> <li>Ensure floor is level and solid, and can adequately support the refrigerator. Contact a carpenter to correct a sagging or sloping floor.</li> <li>Ensure floor is level and solid, and can adequately support the refrigerator. Contact a carpenter to correct a sagging or sloping floor.</li> </ul>
Drawers are difficult to move.	<ul style="list-style-type: none"> <li>Food is touching shelf on top of drawer.</li> <li>Track that drawers slide on is dirty.</li> </ul>	<ul style="list-style-type: none"> <li>Keep less food in drawer.</li> <li>Clean drawer, runners, and tracks. See <i>Care &amp; Cleaning Tips</i> on page 29.</li> </ul>

## Light Bulb Is Not On

Problem	Cause	Correction
Light bulb is not on.	<ul style="list-style-type: none"> <li>Light bulb is burned out.</li> <li>Freezer light switch is stuck.</li> <li>No electric current is reaching refrigerator.</li> <li>Control system has disabled lights because magnet mounted behind dairy compartment (in fresh food door) has been removed.</li> <li>Control system has disabled lights because one or both doors were left open too long.</li> </ul>	<ul style="list-style-type: none"> <li>See <i>Replacing Light Bulbs</i> on page 30.</li> <li>Release light switch located inside freezer compartment.</li> <li>See Problem section, Running Your Refrigerator.</li> <li>Reinstall magnet.</li> <li>Close and reopen door(s) to enable lights.</li> </ul>