

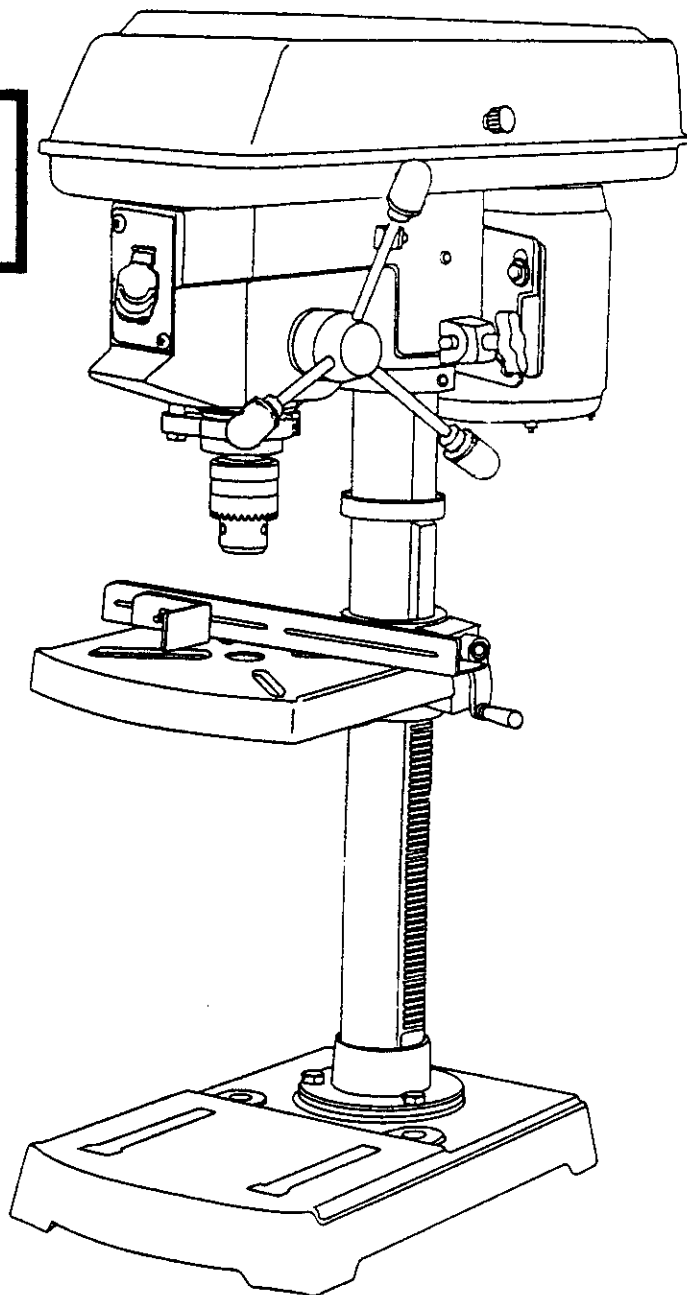
Owner's Manual



Bench Model
2/3 HP (Maximum Developed)
5 Speeds (540-3600 R.P.M.)
1/2 Inch Chuck

12-INCH DRILL PRESS

Model No.
137.219120



CAUTION:

Before using this Drill Press, read this manual and follow all its Safety Rules and Operating Instructions.

- Safety Instructions
- Installation
- Operation
- Maintenance
- Parts List
- Español

Customer Help Line
1-800-843-1682

Sears, Roebuck and Co., Hoffman Estates, IL 60179
USA

Part No.137219120001

TABLE OF CONTENTS

SECTION	PAGE
Warranty	2
Product Specifications	2
Safety Instructions	3
Accessories and Attachments	6
Carton Contents	6
Know Your Drill Press	8
Glossary of Terms	9
Assembly and Adjustments	10
Operation	16
Maintenance	20
Troubleshooting guide	21
Parts	22

PRODUCT SPECIFICATIONS

CHUCK SIZE	1/2"
SPEEDS	5 (540-3,600 RPM)
MOTOR	120V, 60 HZ, 6 AMPS,
HORSEPOWER	2/3 HP (Max. Developed)
TABLE SIZE	10-5/16" x 8-21/32"
TABLE TILT	45° RIGHT OR LEFT
SPINDLE TRAVEL	2-3/8"
THROAT	6"
BASE SIZE	14-3/8" x 8-1/4"
HEIGHT	37-3/32"

▲ WARNING

To avoid electrical hazards, fire hazards, or damage to the tool, use proper circuit protection.

Your drill press is wired at the factory for 120V operation. Connect to a 120V, 15 AMP branch circuit and use a 15 AMP time delay fuse or circuit breaker. To avoid shock or fire, replace power cord immediately if it is worn, cut or damaged in any way.

WARNING

▲ WARNING

Some dust created by power sanding, sawing, grinding, drilling, and other construction activities contains chemicals known [to the State of California] to cause cancer, birth defects or other reproductive harm. Some examples of these chemicals are:

- Lead from lead-based paints.
- Crystalline silica from bricks, cement and other masonry products.
- Arsenic and chromium from chemically-treated lumber.

Your risk from these exposures varies, depending on how often you do this type of work. To reduce your exposure to these chemicals: work in a well ventilated area, and work with approved safety equipment, such as those dust masks that are specially designed to filter out microscopic particles.

SAFETY

GENERAL SAFETY INSTRUCTIONS

BEFORE USING THE DRILL PRESS

Safety is a combination of common sense, staying alert and knowing how to use your drill press.

▲ WARNING

To avoid mistakes that could cause serious injury, do not plug the drill press in until you have read and understood the following:

1. **READ** and become familiar with this entire instruction manual. **LEARN** the tool's applications, limitations, and possible hazards.
2. **KEEP GUARDS IN PLACE** and in working order.
3. **DON'T USE IN A DANGEROUS ENVIRONMENT.** Don't use power tools in damp or wet locations, or expose them to rain. Keep work area well lighted.
4. **DO NOT** use power tools in the presence of flammable liquids or gases.
5. **KEEP WORK AREA CLEAN.** Cluttered areas and benches invite accidents.
6. **KEEP CHILDREN AWAY.** All visitors should be kept at a safe distance from the work area.
7. **DON'T FORCE THE TOOL.** It will do the job better and safer at the rate for which it was designed.
8. **USE THE RIGHT TOOL.** Don't force tool or the attachment to do a job for which it was not designed.
9. **WEAR PROPER APPAREL.** **DO NOT** wear loose clothing, gloves, neckties, rings, bracelets, or other jewelry which may get caught in moving parts. Nonslip footwear is recommended. Wear protective hair covering to contain long hair.
10. **WEAR A FACE MASK OR DUST MASK.** Drilling operation produces dust.
11. **DISCONNECT TOOLS** before servicing, and when changing accessories, such as blades, bits, cutters, and the like.
12. **REDUCE THE RISK OF UNINTENTIONAL STARTING.** Make sure the switch is in "OFF" position before plugging in.
13. **USE RECOMMENDED ACCESSORIES.** Consult the owner's manual for the recommended accessories. The use of improper accessories may cause risk of injury to persons.
14. **REMOVE ADJUSTING KEYS AND WRENCHES.** From the habit of checking to see that keys and adjusting wrenches are removed from the tool before turning "ON".
15. **NEVER LEAVE TOOL RUNNING UNATTENDED. TURN THE POWER "OFF".** Don't leave the tool until it comes to a complete stop.
16. **NEVER STAND ON TOOL.** Serious injury could occur if the tool is tipped or if the cutting tool is unintentionally contacted.
17. **DON'T OVERREACH.** Keep proper footing and balance at all times.
18. **MAINTAIN TOOLS WITH CARE.** Keep tools sharp and clean for best and safest performance. Follow instructions for lubricating and changing accessories.
19. **CHECK FOR DAMAGED PARTS.** Before further use of the tool, a guard or other part that is damaged should be carefully checked to determine that it will operate properly and perform its intended function. Check for alignment of moving parts, binding of moving parts, breakage of parts, mounting, and any other conditions that may affect its operation. A guard or other part that is damaged should be properly repaired or replaced.
20. **MAKE WORKSHOP KID PROOF** with padlocks, master switches, or by removing starter keys.
21. **DO NOT** operate the tool if you are under the influence of any drugs, alcohol or medication that could affect your ability to use the tool properly.
22. Dust generated from certain materials can be hazardous to your health. Always operate the drill press in a well-ventilated area and provide for proper dust removal. Use dust collection systems whenever possible.
23. **ALWAYS WEAR EYE PROTECTION.** Any drill press can throw foreign objects into the eyes which could cause permanent eye damage. **ALWAYS** wear Safety Goggles (not glasses) that comply with ANSI safety standard Z87.1. Everyday eyeglasses have only impact-resistant lenses. They **ARE NOT** safety glasses. Safety Goggles are available at Sears. **NOTE:** Glasses or goggles not in compliance with ANSI Z87.1 could seriously hurt you when they break.



SAVE THESE INSTRUCTIONS

SPECIFIC SAFETY INSTRUCTIONS FOR THE DRILL PRESS

▲ WARNING

For your own safety, do not try to use your drill press or plug it in until it is completely assembled and installed according to the instructions, and until you have read and understood this instruction manual:

1. **YOUR DRILL PRESS MUST BE BOLTED** securely to a workbench. In addition, if there is any tendency for your drill press to move during certain operations, bolt the workbench to the floor.
2. **THIS DRILL PRESS** is intended for use in dry conditions, indoor use only.
3. **WEAR EYE PROTECTION.** USE face or dust mask along with safety goggles if drilling operation is dusty. USE ear protectors, especially during extended periods of operation.
4. **DO NOT** wear gloves, neckties, or loose clothing.
5. **DO NOT** try to drill material too small to be securely held.
6. **ALWAYS** keep hands out of the path of a drill bit. Avoid awkward hand positions where a sudden slip could cause your hand to move into the drill bit.
7. **DO NOT** install or use any drill bit that exceeds 175 mm (7") in length or extends 150 mm (6") below the chuck jaws. They can suddenly bend outward or break.
8. **DO NOT USE** wire wheels, router bits, shaper cutters, circle (fly) cutters, or rotary planers on this drill press.
9. **WHEN** cutting a large piece of material make sure it is fully supported at the table height.
10. **DO NOT** perform any operation freehand. ALWAYS hold the workpiece firmly against the table so it will not rock or twist. Use clamps or a vise for unstable workpieces.
11. **MAKE SURE** there are no nails or foreign objects in the part of the workpiece to be drilled.
12. **CLAMP WORKPIECE OR BRACE** against the left side of the column to prevent rotation. If it is too short or the table is tilted, clamp solidly to the table and use the fence provided.
13. **IF THE WORKPIECE** overhangs the table such that it will fall or tip if not held, clamp it to the table or provide auxiliary support.
14. **SECURE WORK.** Use clamps or a vise to hold the work when practical. It's safer than using your hand and it frees both hands to operate tool.
15. **WHEN** using a drill press vise, always fasten to the table.
16. **MAKE SURE** all clamps and locks are firmly tightened before drilling.
17. **SECURELY LOCK THE HEAD** and table support to the column, and the table to the table support before operating the drill press.
18. **NEVER** turn your drill press on before clearing the table of all objects (tools, scraps of wood, etc.)
19. **BEFORE STARTING** the operation, jog the motor switch to make sure the drill bit does not wobble or vibrate.
20. **LET THE SPINDLE REACH FULL SPEED** before starting to drill. If your drill press makes an unfamiliar noise or if it vibrates excessively, stop immediately, turn the drill press off and unplug. Do not restart until the problem is corrected.
21. **DO NOT** perform layout assembly or set up work on the table while the drill press is in operation.
22. **USE RECOMMENDED SPEED** for drill accessory and workpiece material. SEE INSTRUCTIONS that come with the accessory.
23. **WHEN DRILLING** large diameter holes, clamp the workpiece firmly to the table. Otherwise, the bit may grab and spin the workpiece at high speed. **DO NOT** USE fly cutters or multiple-part hole cutters, as they can come apart or become unbalanced in use.
24. **MAKE SURE** the spindle has come to a complete stop before touching the workpiece.
25. **TO AVOID INJURY** from accidental starting, always turn the switch "OFF" and unplug the drill press before installing or removing any accessory or attachment or making any adjustment.
26. **KEEP GUARDS IN PLACE** and in working order.
27. **USE ONLY SELF-EJECTING TYPE CHUCK KEY** as provided with the drill press.

SAVE THESE INSTRUCTIONS

GROUNDING INSTRUCTIONS

IN THE EVENT OF A MALFUNCTION OR BREAKDOWN, grounding provides a path of least resistance for electric current and reduces the risk of electric shock. This tool is equipped with an electric cord that has an equipment grounding conductor and a grounding plug. The plug **MUST** be plugged into a matching receptacle that is properly installed and grounded in accordance with ALL local codes and ordinances.

DO NOT MODIFY THE PLUG PROVIDED. If it will not fit the receptacle, have the proper receptacle installed by a qualified electrician.

IMPROPER CONNECTION of the equipment grounding conductor can result in risk of electric shock. The conductor with the green insulation (with or without yellow stripes) is the equipment grounding conductor. If repair or replacement of the electric cord or plug is necessary, **DO NOT** connect the equipment grounding conductor to a live terminal.

CHECK with a qualified electrician or service personnel if you do not completely understand the grounding instructions, or if you are not sure the tool is properly grounded.

USE ONLY 3-WIRE EXTENSION CORDS THAT HAVE 3-PRONG GROUNDING PLUGS AND 3-POLE RECEPTACLES THAT ACCEPT THE TOOL'S PLUG. REPAIR OR REPLACE DAMAGED OR WORN CORD IMMEDIATELY.

GUIDELINES FOR EXTENSION CORDS

Make sure your extension cord is in good condition. When using an extension cord, be sure to use one heavy enough to carry the current your product will draw. An undersized cord will cause a drop in line voltage resulting in loss of power and overheating. The table below shows the correct size to use according to cord length and nameplate ampere rating. If in doubt, use the next heavier gauge. The smaller the gauge number, the heavier the cord.

Be sure your extension cord is properly wired and in good condition. Always replace a damaged extension cord or have it repaired by a qualified person before using it. Protect your extension cords from sharp objects, excessive heat and damp or wet areas.

Use a separate electrical circuit for your tools. This circuit must not be less than #12 wire and should be protected with a 15 Amp time lag fuse. Before connecting the motor to the power line, make sure the switch is in the "OFF" position and the electric current is rated the same as the current stamped on the motor nameplate. Running at a lower voltage will damage the motor.

This tool is intended for use on a circuit that has a receptacle like the one illustrated in **FIGURE A**.

FIGURE A shows a 3-prong electrical plug and receptacle that has a grounding conductor. If a properly grounded receptacle is not available, an adapter (**FIGURE B**) can be used to temporarily connect this plug to a 2-contact ungrounded receptacle. The adapter (**FIGURE B**) has a rigid lug extending from it that **MUST** be connected to a permanent earth ground, such as a properly grounded receptacle box. The Canadian Electrical Code prohibits the use of adapters.

CAUTION: In all cases, make certain the receptacle in question is properly grounded. If you are not sure have a certified electrician check the receptacle.

▲ WARNING

This drill press is for indoor use only. Do not expose to rain or use in damp locations.

Fig. A

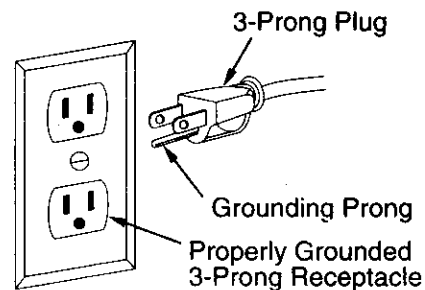
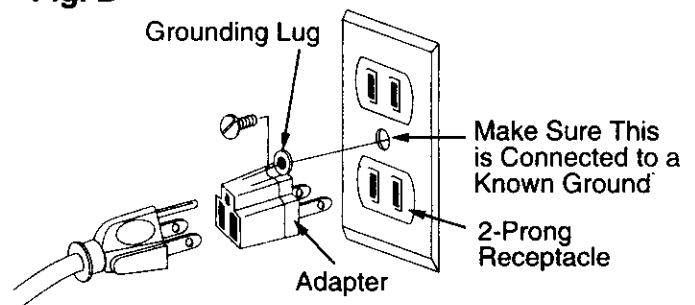


Fig. B



▲ WARNING

This tool must be grounded while in use to protect the operator from electrical shock.

MINIMUM GAUGE FOR EXTENSION CORDS (AWG)					
(when using 120 volts only)					
Ampere Rating		Total length of cord in feet			
more than	not more than	25'	50'	100'	150'
0	6	18	16	16	14
6	10	18	16	14	12
10	12	16	16	14	12
12	16	14	12	Not recommended	

SAVE THESE INSTRUCTIONS

ACCESSORIES AND ATTACHMENTS

AVAILABLE ACCESSORIES

▲ WARNING

Use only accessories recommended for this drill press. Follow instructions that accompany accessories. Use of improper accessories may cause hazards.

Visit your Sears Hardware Department or see the Sears Power and Hand Tool Catalog for the following accessories:

- Drill bits
- Hold-Down and Guide
- Drill Press Vises
- Clamping Kit

▲ WARNING

Use only accessories designed for this drill press to avoid injury from thrown broken parts or workpieces.

Do not use any accessory unless you have completely read the instruction or owner's manual for that accessory.

CARTON CONTENTS

UNPACKING AND CHECKING CONTENTS

▲ WARNING

If any part is missing or damaged, do not plug the drill press in until the missing or damaged part is replaced, and assembly is complete.

Carefully unpack the drill press and all its parts, and compare against the illustration below.

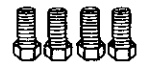
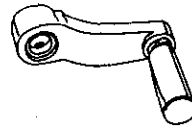
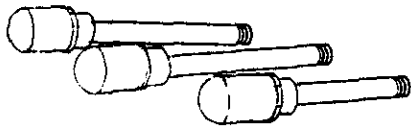
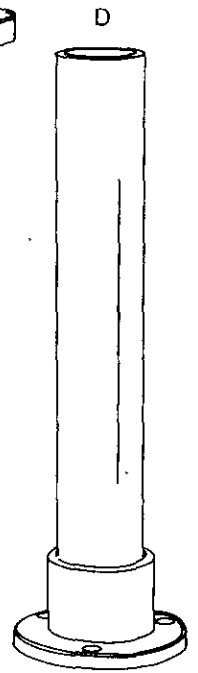
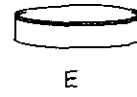
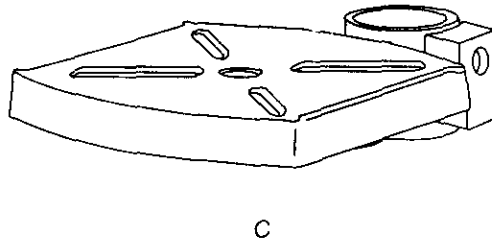
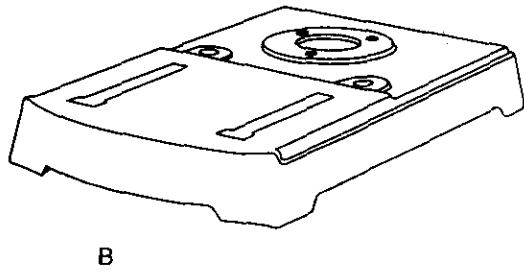
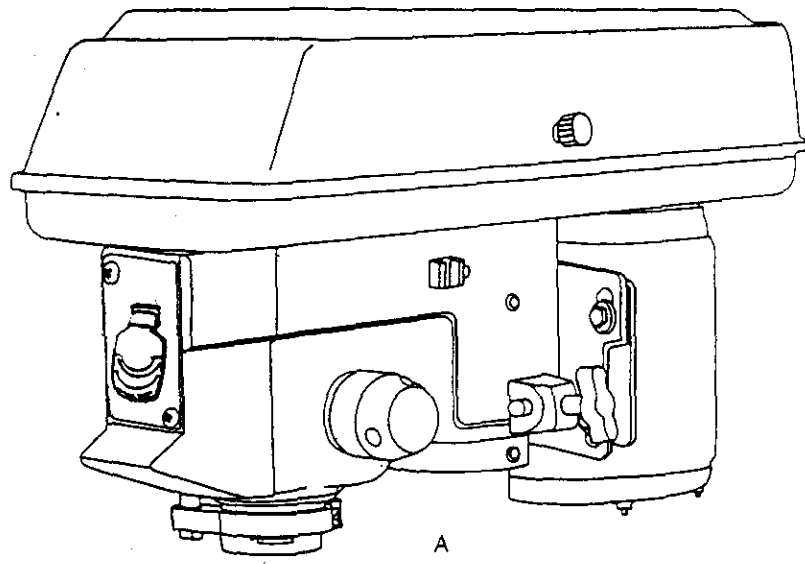
To protect the drill press from moisture, a protective coating has been applied to the machined surfaces. Remove this coating with a soft cloth moistened with kerosene or WD-40.

▲ WARNING

To avoid fire or toxic reaction, never use gasoline, naphtha, acetone, lacquer thinner or similar highly volatile solvents to clean the drill press.

TABLE OF LOOSE PARTS

ITEM	DESCRIPTION	QUANTITY
A.	Head assembly	1
B.	Base	1
C.	Table	1
D.	Column assembly	1
E.	Collar	1
F.	Rack	1
	Loose parts bag:	
G.	Feed handles	3
H.	Worm gear	1
I.	Crank handle	1
J.	Lock handle	1
K.	Hex bolts	4
L.	Fence assembly	1
M.	Triangle knobs	2
N.	Wing nuts	2
O.	Washers	4
P.	Hex keys	2
	Box:	
Q.	Chuck key	1
R.	Chuck	1



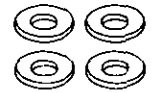
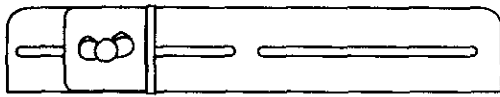
G

H

I

J

K

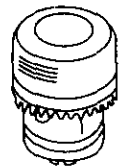
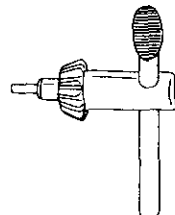


L

M

N

O

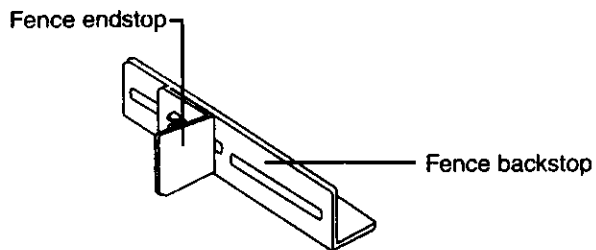
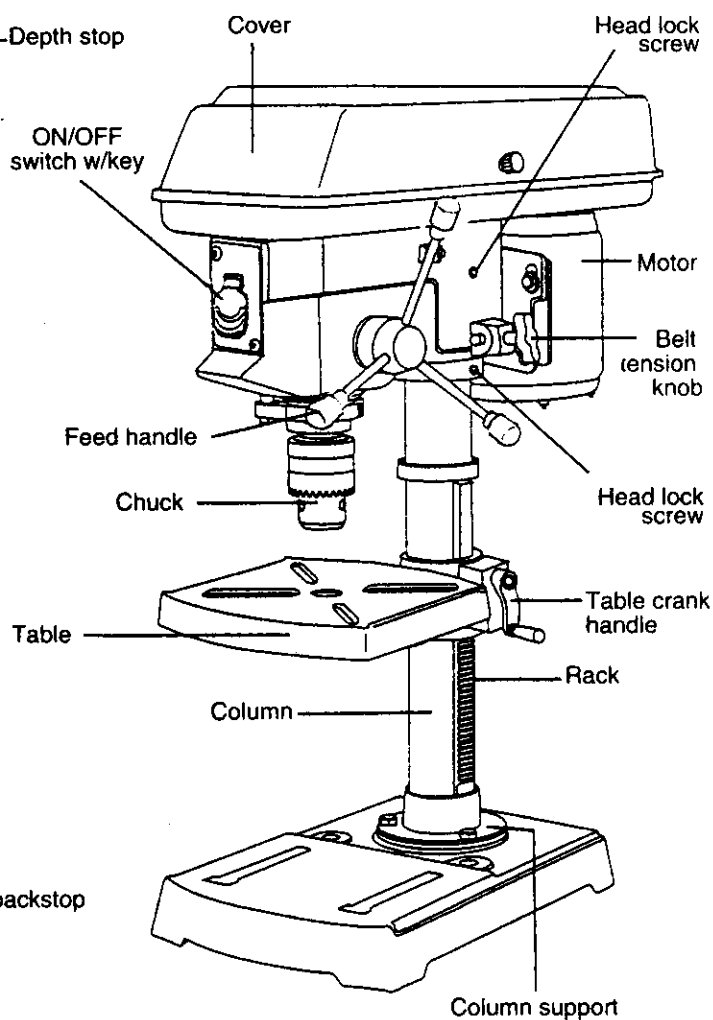
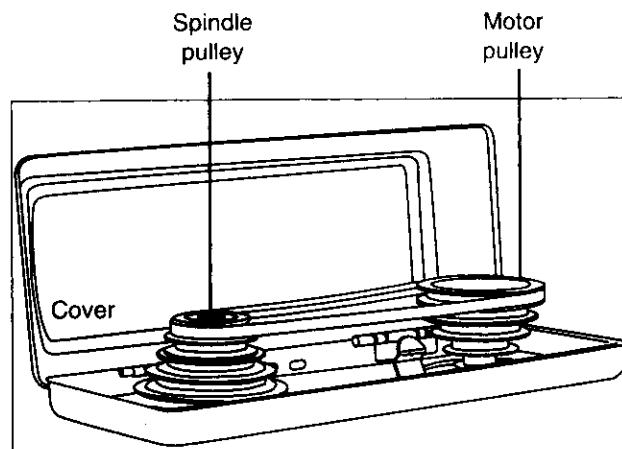
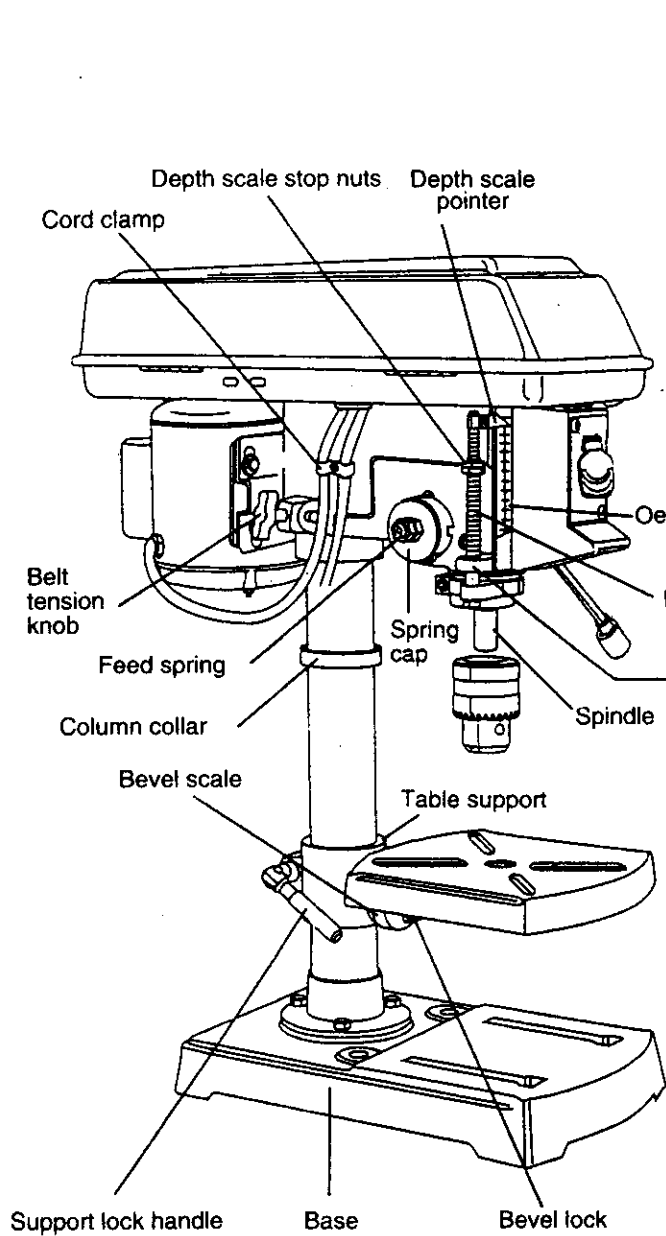


P

Q

R

KNOW YOUR DRILL PRESS



GLOSSARY OF TERMS

BASE – Supports the drill press. For additional stability, holes are provided in the base to bolt the drill press to the floor. (See “Specific Safety Instructions for Drill Presses”.)

BACKUP MATERIAL – A piece of scrap wood placed between the workpiece and table. The backup board prevents wood in the workpiece from splintering when the drill passes through the backside of the workpiece. It also prevents drilling into the table top.

BELT GUARD ASSEMBLY – Covers the pulleys and belt during operation of the drill press.

BELT TENSION – Refer to the “Assembly” Section, “Installing and Tensioning Belt.”

BELT TENSION KNOB – Tightening the knob locks the motor bracket support maintaining correct belt distance and tension.

BEVEL SCALE – Shows the degree of table tilt for bevel operations. The scale is mounted on the side of the arm.

CHUCK – Holds the drill bit or other recommended accessory to perform desired operations.

CHUCK KEY – A self-ejecting chuck key which will pop out of the chuck when you let go of it. This action is designed to help prevent throwing of the chuck key from the chuck when the power is turned “ON”. Do not use any other key as a substitute; order a new one if damaged or lost.

COLUMN – Connects the head, table, and base on a one-piece tube for easy alignment and movement.

COLUMN COLLAR – Holds the rack to the column. Rack remains movable in the collar to permit table support movements.

COLUMN SUPPORT – Supports the column, guides the rack and provides mounting holes for column to base.

DEPTH SCALE – Indicates depth of hole being drilled

DEPTH SCALE POINTER – Indicates the drilling depth by pointing to the depth scale.

DEPTH SCALE STOP NUTS – Locks the depth scale to selected depth.

DRILL BIT – The cutting tool used in the drill press to make holes in a workpiece.

DRILL ON/OFF SWITCH – Has locking feature. This feature is intended to help prevent unauthorized and possible hazardous use by children and others. Insert the key into the switch to turn the drill press on.

DRILLING SPEED – Changed by placing the belt in any of the steps (grooves) in the pulleys. See the Spindle Speed Chart inside the belt guard.

FEED HANDLE – Moves the chuck up or down. If necessary, one or two of the handles may be removed whenever the workpiece is of such unusual shape that it interferes with the handles.

FENCE – Attaches to the table to align the workpiece or for fast repetitive drilling. Removable. Remove fence when it interferes with other drill press accessories.

HEAD LOCKS – Locks the head to the column. ALWAYS lock the head in place while operating the drill press.

RACK – Combines with gear mechanism to provide easy elevation of the table by the hand operated table crank.

REVOLUTION PER MINUTE (R.P.M.) – The number of turns completed by a spinning object in one minute.

SPINDLE SPEED – The R.P.M. of the spindle.

SPRING CAP – Adjusts quill spring tension.

TABLE – Provides working surface to support workpiece.

TABLE BEVEL LOCK – Locks the table in any position from 0° – 45°.

TABLE CRANK HANDLE – Elevates and lowers table. Turn clockwise to elevate table. Support lock must be released before operating crank.

TABLE SUPPORT LOCK – Tightening locks the table support to the column. Always have it locked in place while operating the drill press.

TABLE SUPPORT – Rides on the column to support the table.

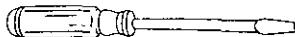
WORKPIECE – Material being drilled.

ASSEMBLY AND ADJUSTMENTS

ASSEMBLY INSTRUCTIONS

⚠ WARNING

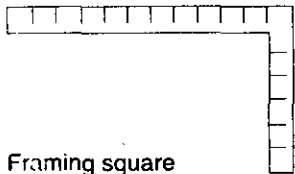
For your own safety, never connect plug to power source outlet until all assembly and adjustment steps are completed, and you have read and understood the safety and operating instructions.



Slotted screwdriver



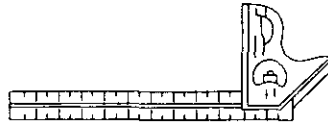
Combination wrench



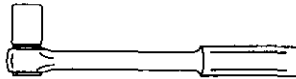
Framing square



8" & 10" Adjustable wrenches



Combination square



Socket wrench with 23 mm. socket

⚠ WARNING

The Drill Press is very heavy and MUST be lifted with the help of 2 PEOPLE OR MORE, to safely assemble it.

COLUMN SUPPORT TO BASE (FIG. A)

1. Position base (1) on floor.
2. Place column (2) on base, aligning holes in column support with holes in base.
3. Locate four long hex bolts (3) from loose parts bag.
4. Place a bolt in each hole through the column support and the base. Tighten with an adjustable wrench.

Fig. A

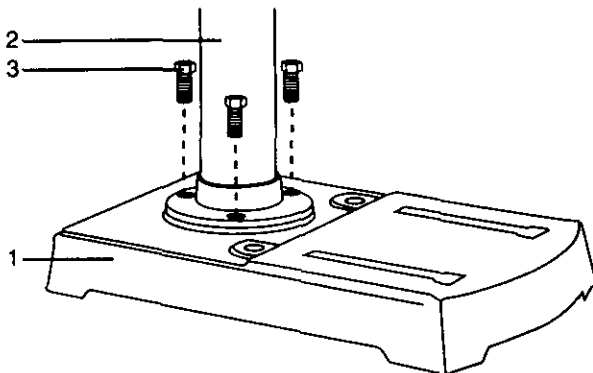
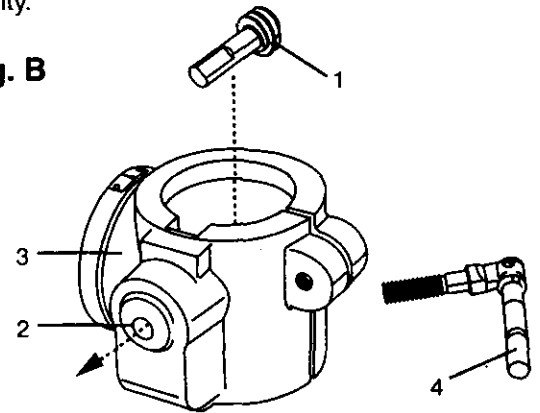


TABLE TO COLUMN ASSEMBLY (FIG. B THROUGH F)

1. Locate the worm gear, table crank, and table support lock handle from the loose parts bag.
2. Insert the worm gear (1) into the table crank handle hole (2) from inside the table support (3). Make sure the worm gear (1) meshes with the inside gear.
3. Insert the table support lock handle (4) into the hole at the rear of the table support. Tighten.

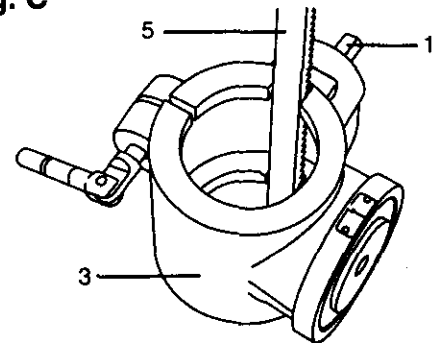
NOTE: Table removed from support in illustration for clarity.

Fig. B



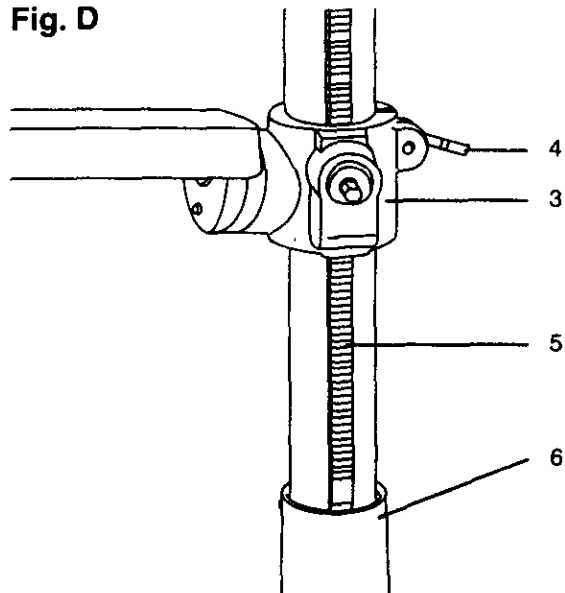
4. Place the rack (5) in position inside the table support (3), making sure the worm gear (1) on the inside of the table support is engaged with the teeth of the rack.

Fig. C



5. Slide the table support assembly with the rack (3,5) together onto the column.
6. Engage the bottom of the rack (5) with the lip of the column support (6). Tighten the support lock handle (4) to lock the table support assembly to the column.

Fig. D

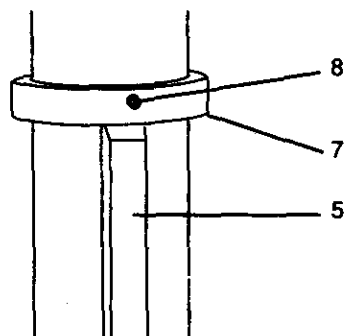


7. Install the collar (7) to the top end of the rack (5) on the column.

IMPORTANT: The bottom of the collar **MUST NOT** be pushed all the way down onto the top of the rack. **MAKE SURE** the top of the rack is under the bottom of the collar and that there is enough clearance to allow the rack to freely rotate around the column. Tighten the set screw (8).

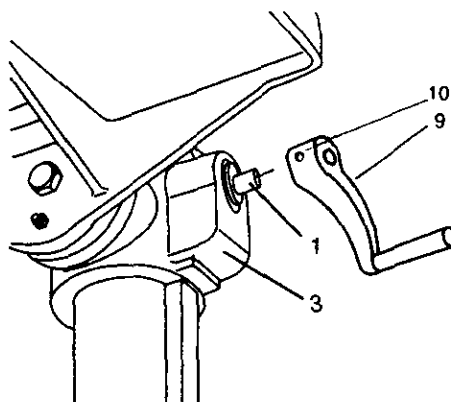
CAUTION: To avoid column or collar damage, **DO NOT OVERTIGHTEN** the set screw.

Fig. E



8. Install the table crank handle (9) to the worm gear shaft (1) on the side of the table support (3).
9. Line up the flat side of the shaft with the set screw (10) in the crank handle and tighten the screw with a hex wrench.

Fig. F



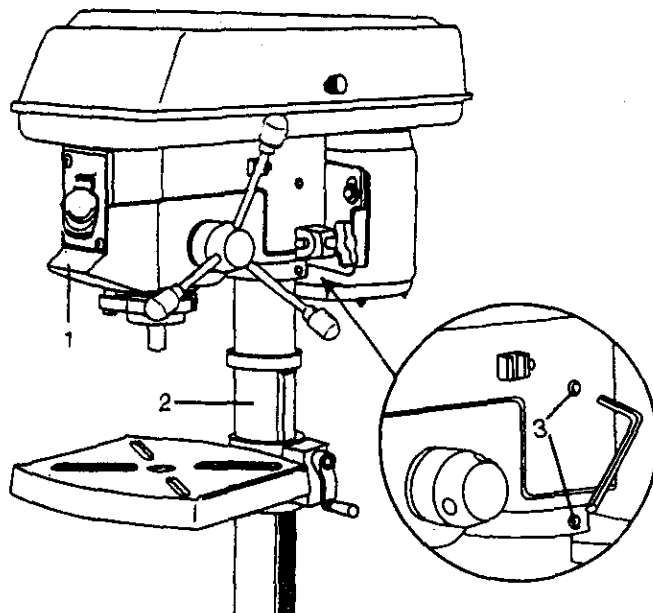
INSTALLING THE HEAD (FIG. G)

▲ WARNING

The Drill Press is very heavy and **MUST** be lifted with the help of 2 PEOPLE OR MORE, to safely assemble it.

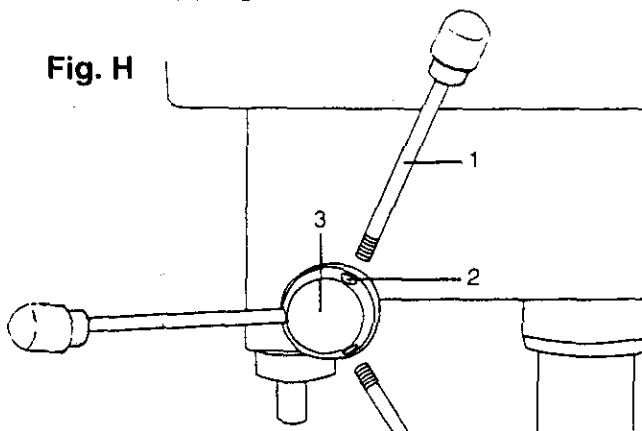
1. Carefully lift head (1) above the column (2) and slide it onto the column. Make sure the head slides down over the column as far as possible. Align the head with the base.
2. Using the hex wrench, tighten the two head lock set screws (3) on the right side of the head.

Fig. G



INSTALLING FEED HANDLES (FIG. H)

1. Locate three feed handles in the loose parts bag.
2. Screw the feed handles (1) into the threaded holes (2) in the hub (3). Tighten.

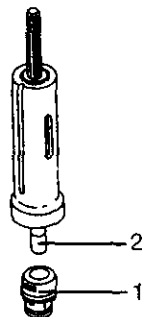


INSTALLING THE CHUCK (FIG. I, J and K)

1. Clean out the tapered hole in the chuck (1) with a clean cloth.
2. Clean tapered surfaces on the spindle (2).

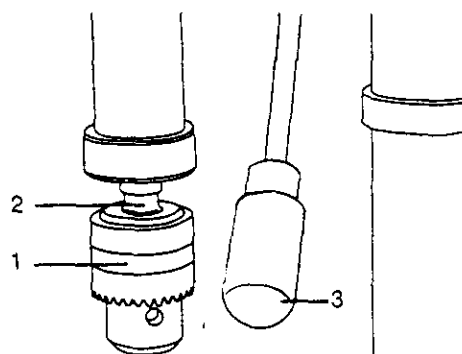
CAUTION: Make sure there are no foreign particles sticking to the surfaces. The slightest piece of dirt on any of these surfaces will prevent the chuck from seating properly. This will cause the drill chuck and bit to wobble. If tapered hole is extremely dirty, use a cleaning solvent.

Fig. I



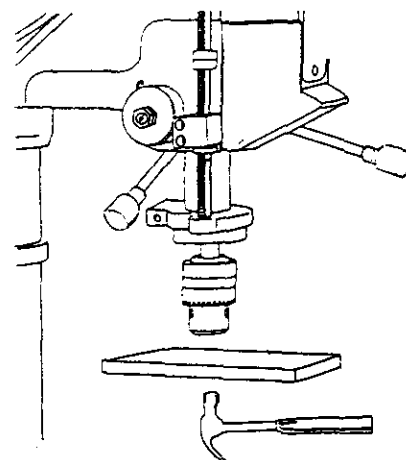
3. Lower the spindle (2) by turning the feed handles (3) counterclockwise.
4. Push the chuck up onto the spindle (2). Tap gently to ensure seat.
5. Open the jaws of the chuck (1) by rotating the chuck sleeve clockwise. To prevent damage, make sure the jaws are completely retracted into the chuck.

Fig. J



6. Using a rubber mallet, plastic-tipped hammer, or a block of wood and a hammer, firmly tap the chuck upward into position on the spindle shaft.

Fig. K

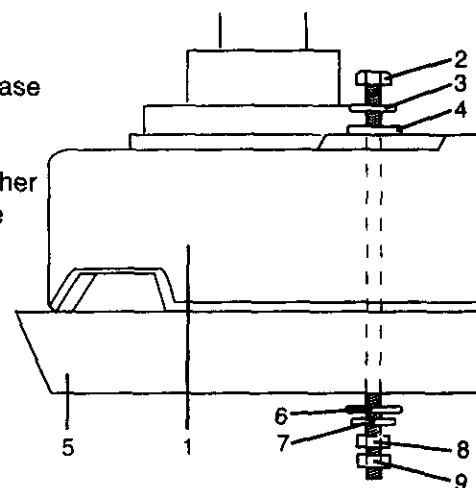


MOUNTING DRILL PRESS TO WORK SURFACE (FIG. L)

1. If mounting the drill press to a workbench, a solid wood bench is preferred over a plywood board, to reduce noise and vibration.
2. Holes should be pre-drilled through the supporting surface.
3. The hardware to mount this drill press is NOT supplied with the tool. The hardware as shown in the illustration should be used:

Fig. L

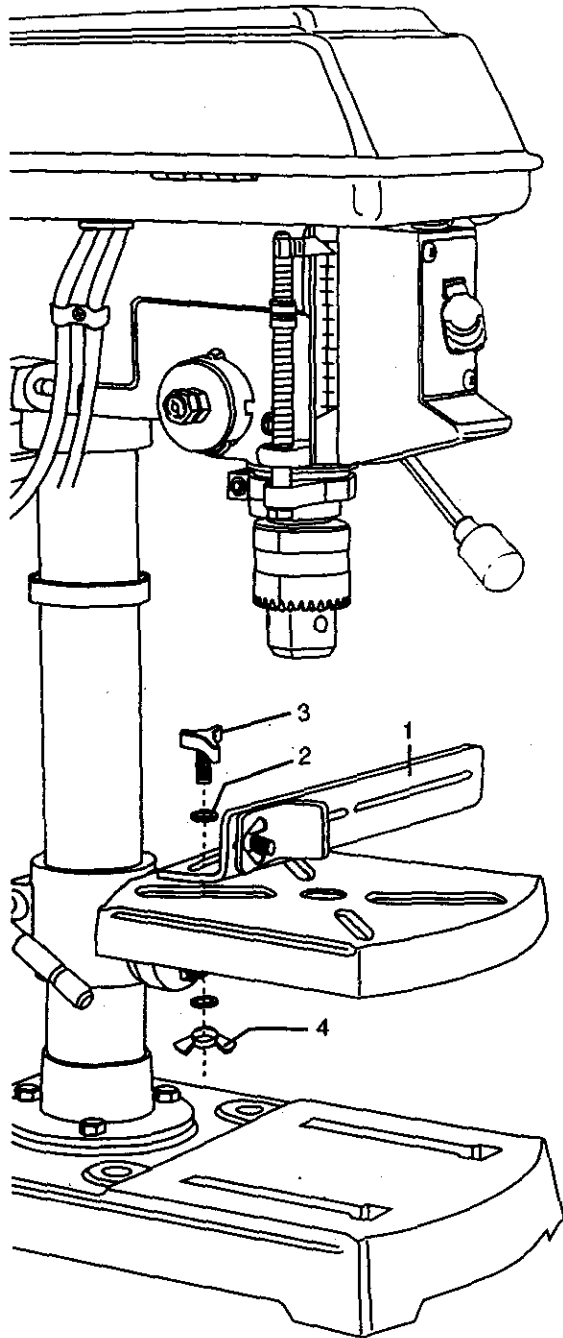
1. Drill press base
2. Bolt
3. Flat washer
4. Rubber washer
5. Worksurface
6. Flat washer
7. Lockwasher
8. Hex nut
9. Jam nut



FENCE ASSEMBLY (FIG. M)

1. Determine the desired location for the fence (1).
2. Align the mounting holes of the fence over the table top slots.
3. Place a washer (2) on the threaded end of the knob (3). Insert the knob through the mounting hole of the fence and the table slot.
4. Place a washer and wing nut (4) on the knob from under the table.
5. Repeat for the other knob and tighten.

Fig. M



ADJUSTMENT INSTRUCTIONS

CAUTION: All the adjustments for the operation of the drill press have been completed at the factory. Due to normal wear and use, some occasional readjustments may be necessary.

▲ WARNING

To avoid injury from an accidental start, ALWAYS make sure the switch is in the "OFF" position, the switch key is removed, and the plug is not connected to the power source outlet before making belt adjustments.

ALIGNING THE BELT PULLEYS (FIG. N)

Open the head cover of the Drill Press. Check alignment of the pulleys with a straight edge (5) such as a framing square, a level, or a piece of wood. Lay the straight edge across the top of the pulleys. If all three pulleys are NOT aligned:

1. Release belt pressure by loosening the belt tension lock knobs (2) on either side of the head, counterclockwise.
2. Loosen the motor mount nuts (3). Lift or lower the motor (4) until the pulleys are in line.
3. Tighten the motor mount nuts (3) using an adjustable wrench.

NOTE: To avoid rattles or other noise, the motor housing should not touch the lower belt guard housing.

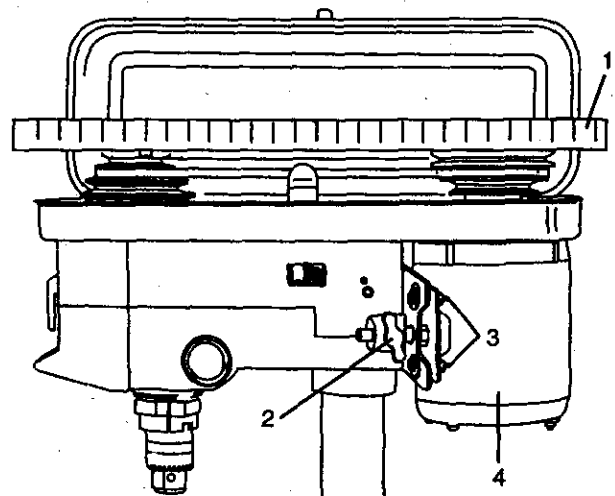
4. Retighten the belt by pulling the motor (4) toward or away from the drill press head, until the belt deflects approximately 1/2 inch when pressed in the center.

NOTE: Refer to the chart inside the belt guard cover for recommended drilling speeds and belt / pulley positions.

5. Lock the belt tension lock knobs (2) by turning clockwise.

NOTE: When the belt is new, it may be difficult to move the belt. As the machine is used, the belt will gain more elasticity and will be easier to adjust.

Fig. N



▲ WARNING

To prevent personal injury, always disconnect the plug from the power source when making any adjustments.

SQUARING TABLE TO HEAD (FIG. O, P)

NOTE: The table and support has a predrilled hole with a locking pin inserted for locking the table to a predetermined 0° horizontal position. It must be loosened to change the angle of the table.

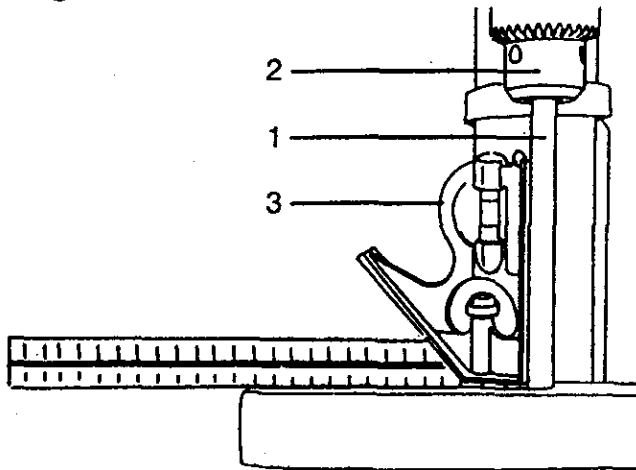
1. Insert a 1/4", or larger diameter, precision ground steel rod (1), approximately 3" long, into the chuck (2). Tighten the chuck jaws.
2. Raise table to working height and lock.
3. Using the combination square (3), place one edge flat on the table, and align the other edge vertically beside the rod (1).
4. (Figure P) If an adjustment is necessary, TIGHTEN the nut (4) on the locking pin clockwise to RELEASE it from the table support.
5. Loosen the large hex head bevel locking bolt (5).

▲ WARNING

To prevent injury, be sure to hold the table & table arm assembly, so it will not swivel or tilt.

6. Align the square to the rod by rotating the table until the square and rod are in line.
7. Retighten the large hex bolt (5).

Fig. O



BEVEL SCALE (FIG. P)

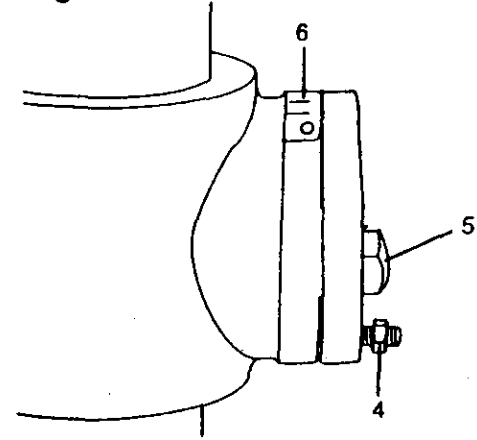
NOTE: The bevel scale has been included to measure approximate bevel angles. If precision is necessary, a square or other measuring tool should be used to position the table. To use the bevel scale (6):

1. TIGHTEN the nut (4) on the locking pin clockwise to RELEASE it from the table support.
2. Loosen the large hex head bevel locking bolt (5).
3. Tilt the table, aligning the desired angle measurement to the zero line opposite the scale (6).
4. Tighten the bevel locking bolt. (5).

5. To return the table to its original position, loosen the bevel locking bolt (5). Realign the bevel scale (6) to the 0° position.
6. Return nut (4) on locking pin to the OUTSIDE END OF THREADS. Gently tap locking pin until it is seated in the hole. Finger tighten nut (4).

NOTE: The table has been removed from the illustration for clarity.

Fig. P



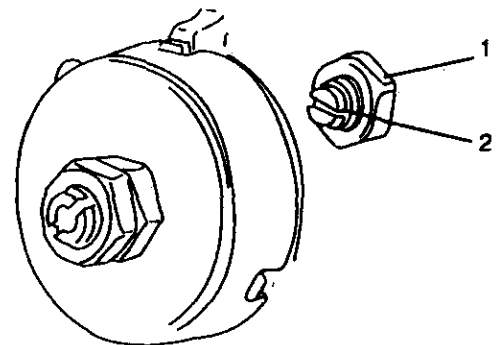
SPINDLE/QUILL (FIG. Q)

Rotate the feed handles counterclockwise to lower spindle to its lowest position. Hand support the spindle securely and move it back and forth around its axis.

If there is too much play, do the following:

1. Loosen lock nut (1).
2. Turn the screw (2) clockwise to eliminate the play, but without obstructing the upward movement of the spindle. (A little play in the spindle is normal.)
3. Tighten the lock nut (1).

Fig. Q



QUILL RETURN SPRING (FIG. Q, R)

The quill return spring may need adjustment if the tension causes the quill to return too rapidly or too slowly.

1. Lower the table for additional clearance.
2. Place a screwdriver in the lower front notch (1) of the spring cap (2). Hold it in place while loosening and removing only the outer jam nut (3).
3. With the screwdriver still engaged in the notch, loosen the inner nut (4) just until the notch (5) disengages from the boss (6) on the drill press head.

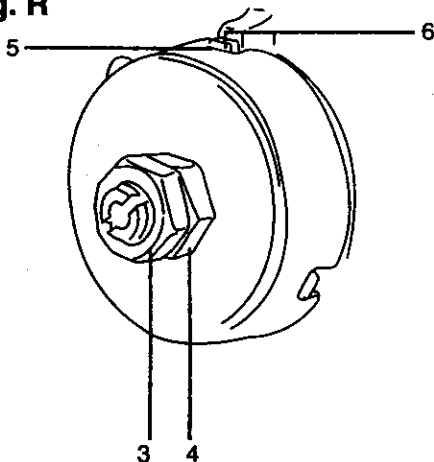
CAUTION: DO NOT REMOVE THIS INNER NUT, because the spring will forcibly unwind.

4. Carefully turn the spring cap (2) counterclockwise with the screwdriver, engaging the next notch.
5. Lower the quill to the lowest position by rotating the feed handle in a counterclockwise direction while holding the spring cap (2) in position.
6. If the quill moves up and down as easily as you desire, tighten the standard nut (4) with the adjustable wrench. If too loose, repeat steps 2 through 5 to tighten. If too tight, reverse steps 4 and 5.

DO NOT OVERTIGHTEN and restrict quill movement.

7. Replace the jam nut (3) and tighten against the standard nut (4) to prevent the standard nut from eversing.

Fig. R



▲ WARNING

To avoid injury from an accidental start, ALWAYS make sure the switch is in the "OFF" position, the switch key is removed, and the plug is not connected to the power source outlet before making belt adjustments.

BELT TENSION (FIG. S)

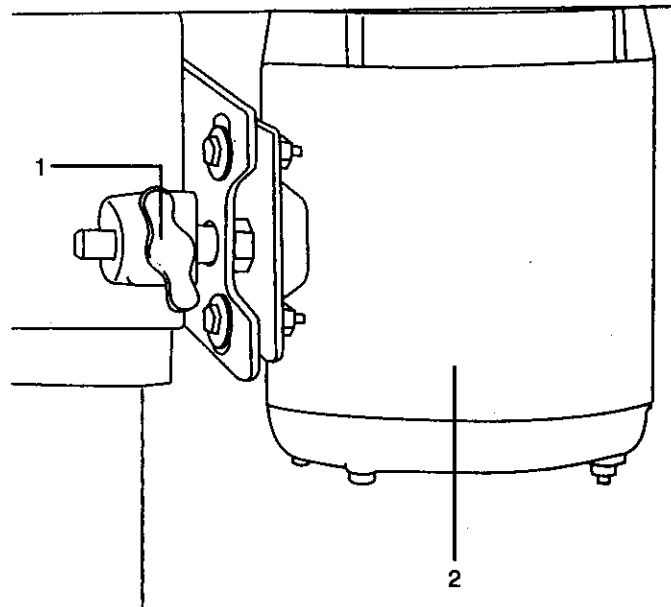
Make sure pulleys are aligned properly as shown in Figure O on page 13.

1. To unlock the belt tension, loosen the belt tension lock knobs (1) on both sides of the drill press head.
2. Move the motor (2) toward the front of the drill press to loosen the belt.
3. Position the belt on the correct pulley steps for the desired speed.
4. Pull the motor away from the drill press head until the belt is properly tensioned.

NOTE: Belt tension is correct if the belt deflects approximately 1/2 inch when pressed at the center.

5. Tighten the belt tension lock knobs (1) on both sides of the drill press head.

Fig. S



OPERATION

BASIC DRILL PRESS OPERATIONS

SPEEDS AND BELT PLACEMENT (FIG. T)

This drill press has 5 speeds, as listed below:

540 RPM 880 RPM 1600 RPM
2610 RPM 3600 RPM

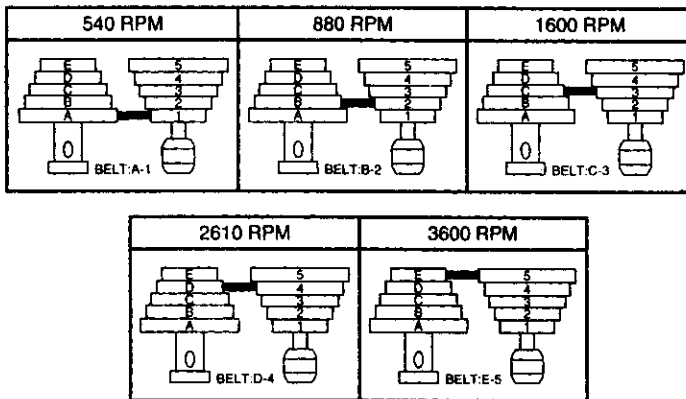
See inside of the belt guard for specific placement of the belts on the pulleys to change speeds.

▲ WARNING

To avoid possible injury, keep guard closed, in place, and in proper working order while tool is in operation.

Fig. T

Belt / Pulley Position-RPM Chart



ON / OFF SWITCH (FIG. U)

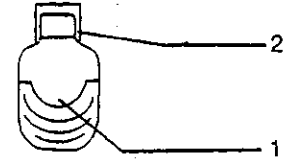
The "ON / OFF" switch has a removable, yellow plastic key. With the key removed from the switch, unauthorized and hazardous use by children and others is minimized.

1. To turn the drill press "ON", insert key (1) into the slot of the switch (2), and move the switch upward to the "ON" position.
2. To turn the drill press "OFF", move the switch downward.
3. To lock the switch in the "OFF" position, grasp the end, or yellow part, of the switch toggle, and pull it out.
4. With the switch key removed, the switch will not operate.
5. If the switch key is removed while the drill press is running, it can be turned "OFF" but cannot be restarted without inserting the switch key.

▲ WARNING

Always lock the switch "OFF" when the drill press is not in use. Remove the key and keep it in a safe place. In the event of a power failure, blown fuse, or tripped circuit breaker, turn the switch "OFF" and remove the key, preventing an accidental startup when the power comes on.

Fig. U



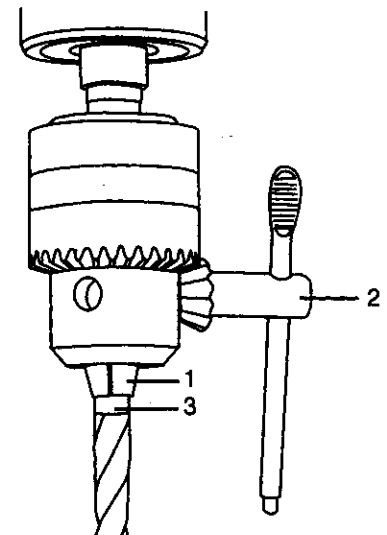
INSTALLING DRILL BIT IN CHUCK (FIG. V)

1. With the switch "OFF" and the yellow switch key removed, open the chuck jaws (1) using the chuck key (2). Turn the chuck key counterclockwise to open the chuck jaws.
2. Insert the drill bit (3) into the chuck far enough to obtain maximum gripping by the jaws, but not far enough to touch the spiral grooves (flutes) of the drill bit when the jaws are tightened.
3. Make sure that the drill is centered in the chuck.
4. Turn the chuck key clockwise to tighten the jaws.

▲ WARNING

To avoid injury or accident by the chuck key ejecting forcibly from the chuck when the power is turned "ON", use only the self-ejecting chuck key supplied with this drill press. Always recheck and remove the chuck key before turning the power "ON".

Fig. V



▲ WARNING

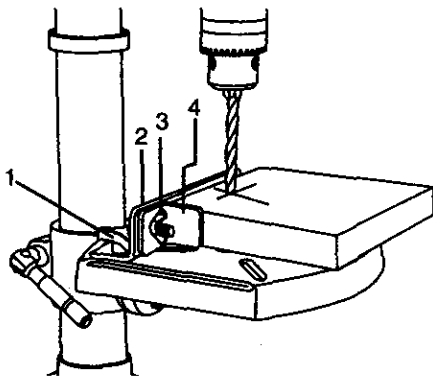
To prevent the workpiece or backup material from being torn from your hands while drilling, you **MUST** position the workpiece against the **LEFT** side of the column. If the workpiece or the backup material is not long enough to reach the column, clamp them to the table, or use the fence provided with the drill press to brace the workpiece. Failure to secure the workpiece could result in personal injury.

USING THE FENCE (FIG. W)

The fence provides a way of accurately and quickly setting up the workpiece for more precision or repetitive drilling operations.

1. Using the centerpunch or sharp nail, make an indentation in the workpiece where you want to drill.
2. Lower the drill bit to align with the indentation on the workpiece. See "HOLDING A DRILLING LOCATION" page 19.
3. Loosen the knobs (1) and slide the fence back stop (2) firmly against the long side of the workpiece. Tighten the knobs when in position.
4. Loosen the wing nut (3) and slide the end stop (4) along the fence until it is firmly against the left side of the workpiece. Tighten the wing nut.
5. Check the accuracy by drilling a scrap workpiece. Adjust if needed.
6. Hold with your hand or clamp the top surface of the workpiece firmly to prevent it from lifting off the table when the bit is raised.

Fig. W



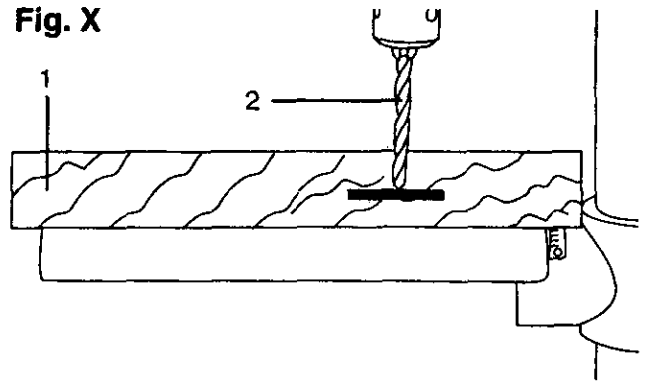
DRILLING TO A SPECIFIC DEPTH

Drilling a blind hole (not all the way through workpiece) to a given depth can be done two ways:

Workpiece method (FIG. X and Y)

1. Mark the depth of the hole on the side of the workpiece (1).
2. With the switch "OFF", bring the drill bit (2) down until the tip is even with the mark.
3. Hold the feed handle at this position.
4. Spin the lower nut (3) down to contact the depth stop lug (6) on the head.
5. Spin the upper nut (5) down and tighten against the lower nut. (3)
6. The drill bit will now stop after traveling the distance marked on the workpiece.

Fig. X



Depth scale method (FIG. Y)

NOTE: With the chuck up, the tip of the drill bit must be just slightly above the top of the workpiece.

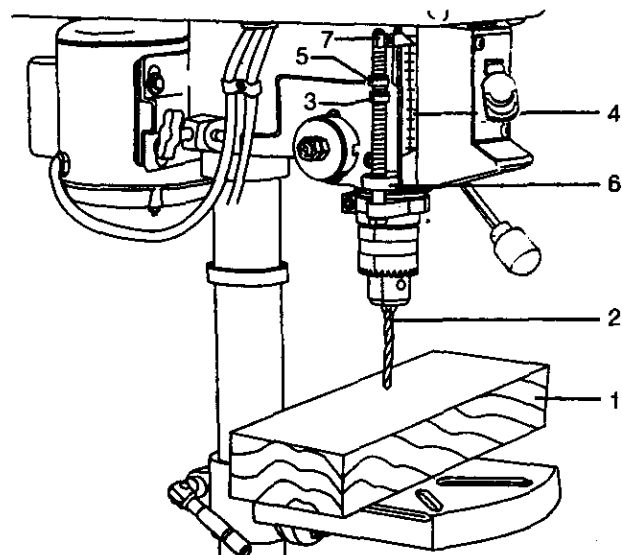
1. With the switch "OFF", turn the feed handle until the pointer (7) points to the desired depth on the depth scale (4). Hold the feed handles in that position.
2. Spin the lower nut (3) down to contact the depth stop lug (6) on the head.
3. Spin the upper stop nut (5) against the lower stop nut and tighten.
4. The drill bit will now stop after traveling the distance selected on the depth scale.

Drilling a hole

Using a center punch or a sharp nail, dent the workpiece where you want the hole. Before turning the switch on, bring the drill bit down to the workpiece, lining it up with the hole location. Turn the switch on and pull down on the feed handles with only enough effort to allow the drill to cut.

FEEDING TOO SLOWLY might cause the drill bit to turn. **FEEDING TOO RAPIDLY** might stop the motor, cause the belt or drill to slip, tear the workpiece loose, or break the drill bit. When drilling metal, it will be necessary to lubricate the tip of the drill bit with oil to prevent it from overheating.

Fig. Y

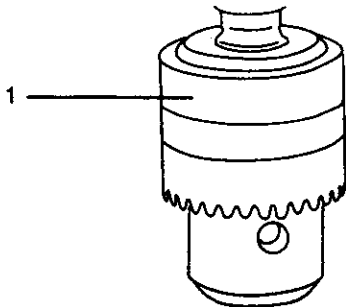


REMOVING CHUCK (FIG. Z)

1. With the switch "OFF", open the jaws of the chuck as wide as possible by turning the chuck counterclockwise.
2. Tap the chuck (1) lightly with a plastic tipped hammer at the top of chuck, until the chuck releases.

NOTE: Place one hand below the chuck to catch it when it falls out.

Fig. Z



▲ WARNING

To avoid injury from an accidental start, ALWAYS make sure the switch is in the "OFF" position, the switch key is removed, and the plug is not connected to the power source outlet before removing or installing the chuck.

BASIC OPERATION INSTRUCTIONS

To get the best results and minimize the likelihood of personal injury, follow these instructions for operating your drill press.

▲ WARNING

For your own safety, always observe the safety INSTRUCTIONS listed here and on pages 3, 4, and 5 of the instruction manual.

YOUR PROTECTION

▲ WARNING

To avoid being pulled into the power tool, do not wear loose clothing, gloves, neckties, or jewelry. Always tie back long hair.

1. If any part of your drill press is missing, malfunctioning, damaged or broken, stop operation immediately until that part is properly repaired or replaced.
2. Never place your fingers in a position where they could contact the drill bit or other cutting tool. The workpiece may unexpectedly shift, or your hand could slip.
3. To avoid injury from parts thrown by the spring, follow instructions exactly when adjusting the spring tension of the quill.
4. To prevent the workpiece from being torn from your hands, thrown, spun by the tool, or shattered, always properly support your workpiece as follows:
 - a. Always position **BACKUP MATERIAL** (used beneath workpiece) so that it contacts the left side of the column, or use the fence provided and clamp to brace a smaller workpiece.

- b. Whenever possible, position the **WORKPIECE** to contact the left side of the column. If it is too short or the table is tilted, use the fence provided or clamp solidly to the table, using the table slots.
 - c. When using a drill press vise, always fasten it to the table.
 - d. Never do any work freehand (hand-holding the workpiece rather than supporting it on the table), except when polishing.
 - e. Securely lock the head and table support to the column, and the table to the table support, before operating the drill press.
 - f. Never move the head or the table while the tool is running.
 - g. Before starting an operation, jog the motor switch to make sure the drill or other cutting tool does not wobble or cause vibration.
 - h. If a workpiece overhangs the table so it will fall or tip if not held, clamp it to the table or provide auxiliary support.
 - i. Use the fence provided or other fixtures for unusual operations to adequately hold, guide, and position workpiece.
 - j. Use the **SPINDLE SPEED** recommended for the specific operation and workpiece material. Check the panel on the inside pulley cover or the chart below for drilling speed information.
For accessories, refer to the instructions provided with each accessory.
5. Never climb on the drill press table, it could break or pull the entire drill press down on you.
 6. Turn the motor switch "OFF", and put away the switch key when leaving the drill press.
 7. To avoid injury from thrown work or tool contact, do not perform layout, assembly, or set up work on the table while the cutting tool is rotating.

DRILLING SPEED TABLE (rpm)			
Drill Bit Diam. (Inches)	Material		
	Wood	Alum.,Zinc,Brass	Iron,Steel
1/16	3600	3600	3600
1/8			2610
3/16		2610	1600
1/4			880
5/16		1600	880
3/8	540		
1/2	2610	880	540

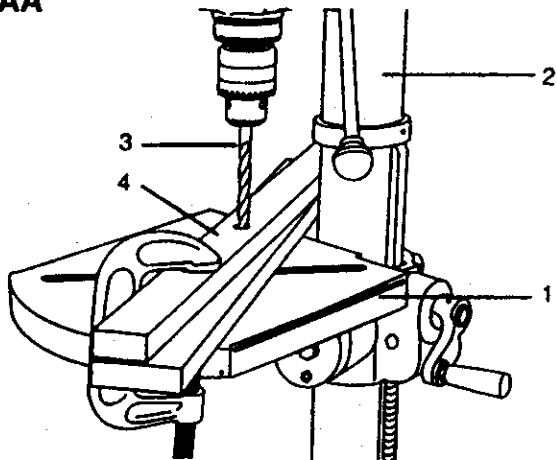
POSITIONING THE TABLE AND WORKPIECE (FIGURE AA and BB)

1. Lock the table (1) to the column (2) at a position so the tip of the drill bit (3) is just above the top of the workpiece (4).
2. ALWAYS place a BACK-UP MATERIAL (scrap wood) on the table beneath the workpiece. This will prevent splintering or heavy burring on the underside of the workpiece. To keep the back-up material from spinning out of control, it MUST contact the LEFT side of the column.

⚠ WARNING

To prevent the workpiece or backup material from being torn from your hands while drilling, you MUST position it against the left side of the column. If the workpiece or the backup material is not long enough to reach the column use the fence provided with the drill press to brace the workpiece, or clamp it to the table. Failure to do this could result in personal injury.

Fig. AA

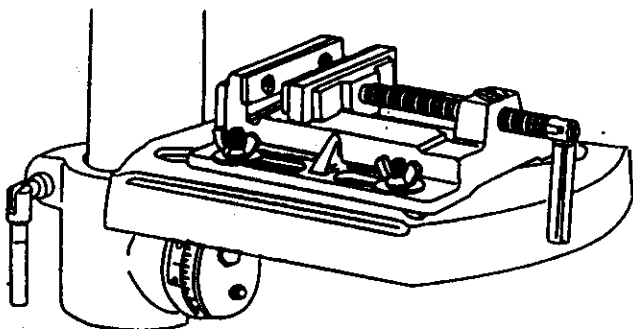


3. For small pieces that cannot be clamped to the table, use a drill press vise (optional accessory).

⚠ WARNING

The drill press vise MUST be clamped or bolted to the table to avoid injury from a spinning workpiece, or damaged vise or bit parts. Remove the drill press fence when it interferes with other drill press accessories.

Fig. BB



HOLDING A DRILLING LOCATION

1. Using a centerpunch or sharp nail, make an indentation in the workpiece where you want the hole.
2. Using the feed handles, bring the drill down to align with the indentation before turning the drill "ON".

TILTING THE TABLE (FIGURE CC)

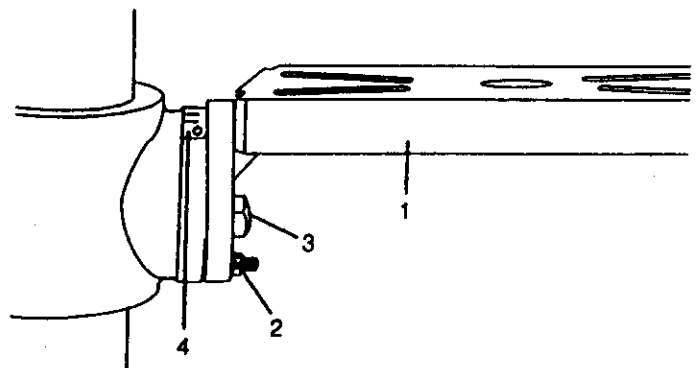
NOTE: The table and support (1) has a predrilled hole with a locking pin inserted for locking the table into a predetermined 0° horizontal position.

1. To use the table in a bevel (tilted) position, TIGHTEN the nut (2) on the locking pin clockwise to RELEASE it from the table support.
2. Loosen the large hex head bevel locking bolt (3).

⚠ WARNING

To prevent injury, be sure to hold the table & table arm assembly, so it will not swivel or tilt.

Fig. CC



3. Tilt the table, aligning the desired angle measurement to the zero line opposite the scale (4). Tighten the bevel locking bolt.
4. To return the table to its original position, loosen the bevel locking bolt (3). Realign the bevel scale (4) to the 0° position.
5. Loosen the nut (2) on the locking pin to the OUTSIDE END OF THREADS. Gently tap the locking pin until it is seated in the hole. Finger tighten the nut.

⚠ WARNING

To avoid injury from spinning work or tool breakage, always clamp workpiece and backup material securely to the table before operating the drill press with the table tilted.

FEEDING

1. Pull down the feed handles with only enough effort to allow the drill bit to cut.
2. Feeding too slowly might cause the drill bit to burn. Feeding too rapidly might stop the motor, cause the belt or drill to slip, or tear the workpiece loose and break the drill bit.
3. When drilling metal, it may be necessary to lubricate the drill bit tip with motor oil, to prevent burning the tip.

MAINTENANCE

MAINTAINING YOUR DRILL PRESS

▲ WARNING

For your own safety, turn the switch OFF and remove the plug from the power source outlet before maintaining or lubricating your drill press.

Frequently blow out using an air compressor or dust vacuum, any dust that accumulates inside the motor.

A coat of automotive paste wax applied to the table and column will help to keep the surfaces clean.

▲ WARNING

To avoid shock or fire hazard, if the power cord is worn or cut in any way, have it replaced immediately.

LUBRICATION

All of the drill press ball bearings are packed with grease at the factory. They require no further lubrication.

Periodically lubricate the gear and rack, table elevation mechanism of the spindle and the rack (teeth) of the quill.

TROUBLESHOOTING

TROUBLESHOOTING GUIDE

▲ WARNING

To avoid injury from an accidental start, turn the switch OFF and always remove the plug from the power source before making any adjustments.

- Consult your local Sears Service Center if for any reason the motor will not run.

PROBLEM	PROBABLE CAUSE	REMEDY
Noisy operation.	<ol style="list-style-type: none"> 1. Incorrect belt tension. 2. Dry spindle. 3. Loose spindle pulley. 4. Loose motor pulley. 	<ol style="list-style-type: none"> 1. Adjust tension. See Section "ASSEMBLY - TENSIONING BELT" 2. Lubricate spindle. See Section "LUBRICATION". 3. Check tightness of retaining nut on pulley, and tighten if necessary. 4. Tighten set screw in motor pulley.
Drill bit burns.	<ol style="list-style-type: none"> 1. Incorrect speed. 2. Chips not coming out of hole. 3. Dull drill bit. 4. Feeding too slowly. 5. Not lubricated. 	<ol style="list-style-type: none"> 1. Change speed. See Section "BASIC DRILL PRESS OPERATION - SPINDLE SPEEDS" 2. Retract drill frequently to clear chips. 3. Resharpen drill bit. 4. Feed fast enough - allow drill to cut. 5. Lubricate drill. See Section "BASIC DRILL PRESS OPERATION - FEEDING"
Run out of drill bit point - drilled hole not round.	<ol style="list-style-type: none"> 1. Hard grain in wood or lengths of cutting flutes and/or angles not equal. 2. Bent drill bit. 	<ol style="list-style-type: none"> 1. Resharpen drill bit correctly. 2. Replace drill bit.
Wood splinters on underside.	<ol style="list-style-type: none"> 1. No backup material under workpiece. 	<ol style="list-style-type: none"> 1. Use backup material. See Section "BASIC DRILL PRESS OPERATION".
Workpiece torn loose from hand.	<ol style="list-style-type: none"> 1. Not supported or clamped properly. 	<ol style="list-style-type: none"> 1. Support workpiece or clamp it. See Section "BASIC DRILL PRESS OPERATION".
Drill bit binds in workpiece.	<ol style="list-style-type: none"> 1. Workpiece pinching drill bit, or excessive feed pressure. 2. Improper belt tension. 	<ol style="list-style-type: none"> 1. Support workpiece or clamp it. See Section "BASIC DRILL PRESS OPERATION". 2. Adjust tension. See Section "ASSEMBLY - TENSIONING BELT."
Excessive drill bit runout or wobble.	<ol style="list-style-type: none"> 1. Bent drill bit. 2. Worn bearings. 3. Drill bit not properly installed in chuck. 4. Chuck not properly installed. 	<ol style="list-style-type: none"> 1. Use a straight drill bit. 2. Replace bearings. 3. Install drill properly. See Section "BASIC DRILL PRESS OPERATION" and "ASSEMBLY". 4. Install chuck properly. See Section "ASSEMBLY - INSTALLING THE CHUCK".
Quill returns	<ol style="list-style-type: none"> 1. Spring has improper tension, too slow or too fast. 	<ol style="list-style-type: none"> 1. Adjust spring tension. See Section "ASSEMBLY-ADJUSTMENTS - QUILL RETURN SPRING".
Chuck will not stay attached to spindle. It falls off when trying to install.	<ol style="list-style-type: none"> 1. Dirt, grease, or oil on the tapered inside surface of chuck or on the spindle's tapered surface. 	<ol style="list-style-type: none"> 1. Using a household detergent, clean the tapered surface of the chuck and spindle to remove all dirt, grease and oil. See Section "ASSEMBLY - INSTALLING THE CHUCK"

PARTS

CRAFTSMAN 12" DRILL PRESS

MODEL NO. 137.219120

▲ WARNING

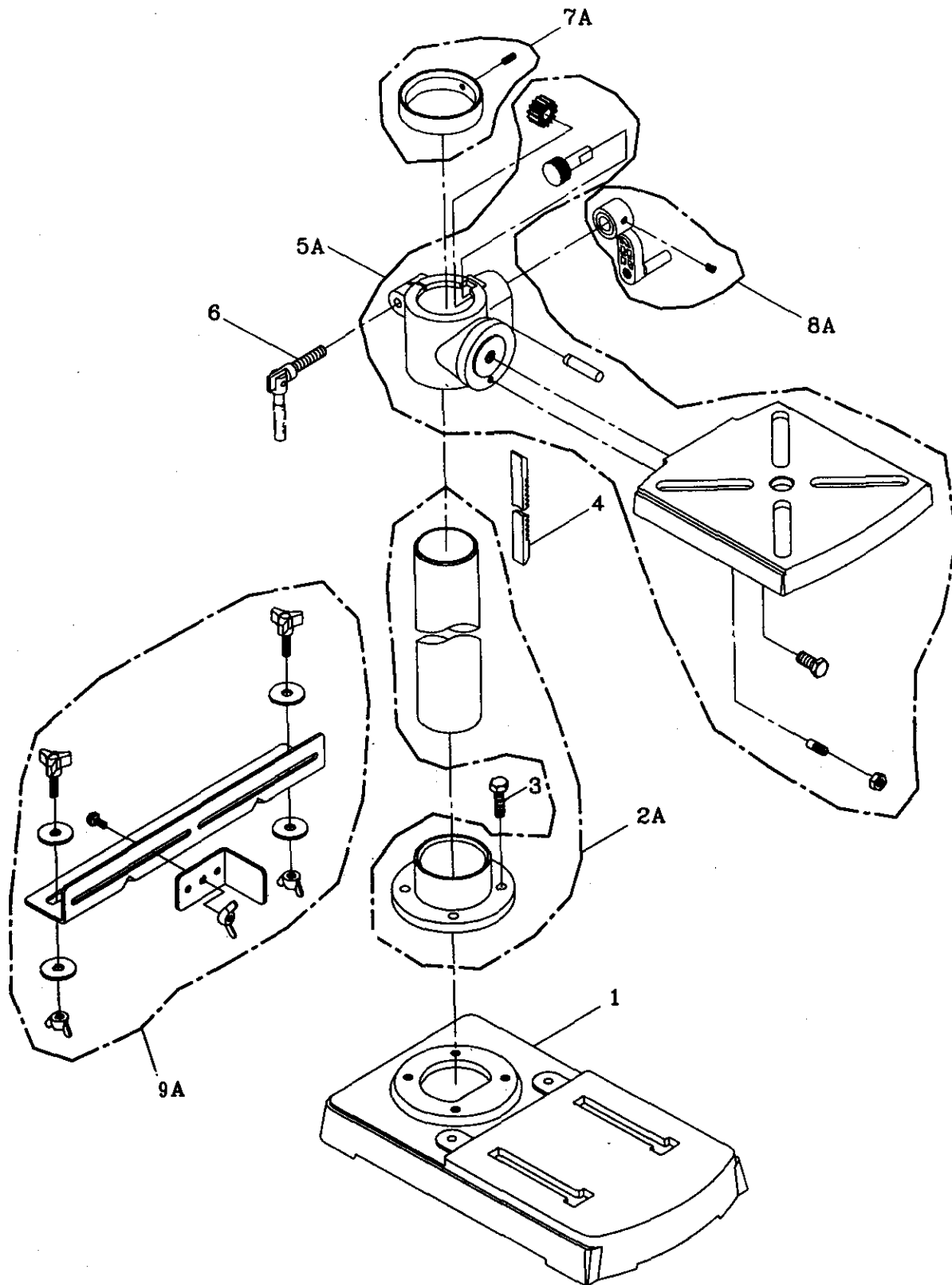
When servicing use only CRAFTSMAN replacement parts. Use of any other parts may create a HAZARD or cause product damage. Any attempt to repair or replace electrical parts on this Table Saw may create a HAZARD unless repair is done by a qualified service technician. Repair service is available at your nearest Sears Service Center.

Always order by PART NUMBER, not by key number

PARTS LIST FOR SCHEMATIC A

Key	Part No.	Description	Size	Qty
1	10300105	BASE		1
2A	10300202A2	COLUMN HOLDER ASS'Y		1
3	2601BBDA90	HEX. SOC. SET SCREW	M8x1.25-25	4
4	13902202	RACK		1
5A	10300603A11	TABLE BRACKET ASS'Y		1
6	10602003	TABLE LOCK HANDLE		1
7A	10302301A1	RACK RING ASS'Y		1
8A	10601009A3	CRANK HANDLE ASS'Y		1
9A	10838202A1	FENCE ASS'Y		1

SCHEMATIC A



PARTS

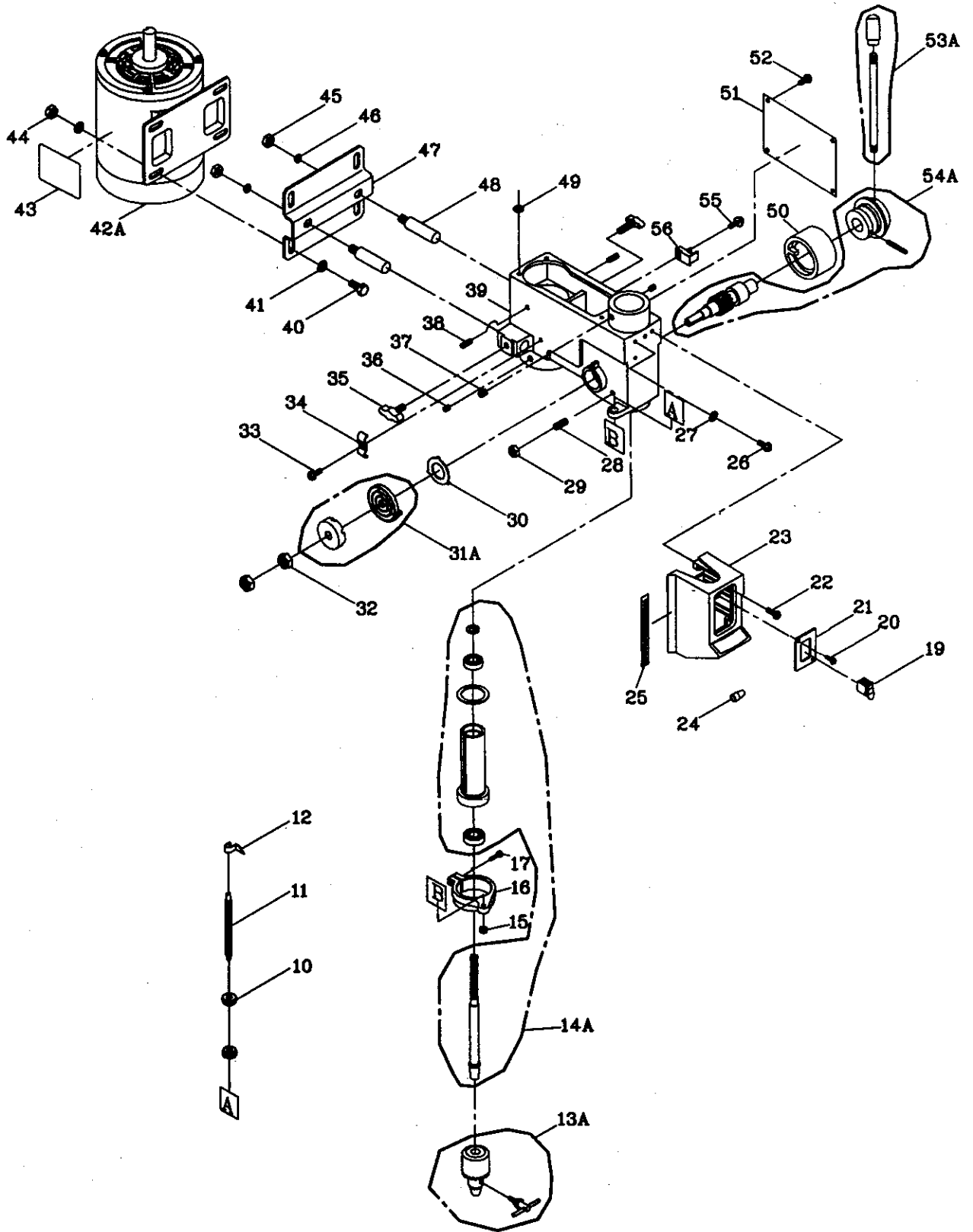
CRAFTSMAN 12" DRILL PRESS

MODEL NO. 137.219120

PARTS LIST FOR SCHEMATIC B

Key	Part No.	Description	Size	Qty
10	10518401	NUT	M10x1.5	2
11	10301004	SET BOLT		1
12	10201201	POINTER		1
13A	2135CNO132	CHUCK ASS'Y		1
14A	10305602A1	QUILL ASS'Y		1
15	2701FBD106	HEX NUT	M6X1.0	1
16	10361701	SET RING		1
17	2602BBLA27	HEX. SOC. HD. CAP BOLT	M5 x 0.8-16	1
18	N/A			
19	2898D08G24	ROCKER SWITCH		1
20	2661MBDE11	CR. RE. TRUSS HD. SCREW	M4x16-12	2
21	10312704	SWITCH COVER		1
22	2668BBDA24	CR. RE. PAN HD. SCREW	M5x0.8-12	3
23	10308805	SWITCH BOX		1
24	2805U5HN16	TERMINAL		1
25	10384902	SCALE		1
26	2668BZDA23	CR. RE. PAN HD SCREW	M5x0.8-8	2
27	2504MZC005	EXTERNAL TOOTH LOCK WASHER		2
28	10305401	QUILL SET SCREW	M8x1.25-18	1
29	2701FBD113	HEX. NUT	M8x1.25	1
30	10305206	SPRING RETAINER		1
31A	10305001A2	SPRING CAP ASS'Y		1
32	2701QZD611	HEX. NUT	1/2x20UNF	2
33	2668BBDA24	CR. RE. PAN HD. SCREW	M8 x 0.8-12	1
34	10808301	CLAMP-CORD		1
35	10604204	SHIFTER BOLT		2
36	2603BBLA52	HEX. SOC. SET SCREW	M8x1.25-8	2
37	2603BBLA52	HEX. SOC. SET SCREW	M8x1.25-8	1
38	2536MBE623	SPRING PIN		2
39	13902503	HEAD		1
40	2601BBDAA9	HEX. HD. BOLT		4
41	2501NBDN27	FLAT WASHER	5/16x7/8-5/64	8
42A	8220A21104	MOTOR		1
43	13916403	LABEL		1
44	2701FBD113	HEX. NUT	M8x1.25	4
45	2701FBD110	HEX. NUT	M10x1.5	1
46	2502ABC410	SPRING WASHER		2
47	10303401	MOTOR BASE		1
48	10303202	MOTOR ROD		1
49	2501NNVN11	FLAT WASHER	1/4x3/4-3/16	4
50	10304502	SCALE RING		1
51	10316208	LABEL		1
52	2658MZDU36	DRIVE SCREW	2.3-5	4
53A	10304402A1	HANDLE BAR ASS'Y		1
54A	10303825A1	FEED SHAFT		1
55	2641BBDA39	CR. RE. ROUND WASHER HD. SCREW	M6*1.0-12	1
56	10611201	CHUCK KEY HOLDER		1

SCHEMATIC B



PARTS

CRAFTSMAN 12" DRILL PRESS

MODEL NO. 137.219120

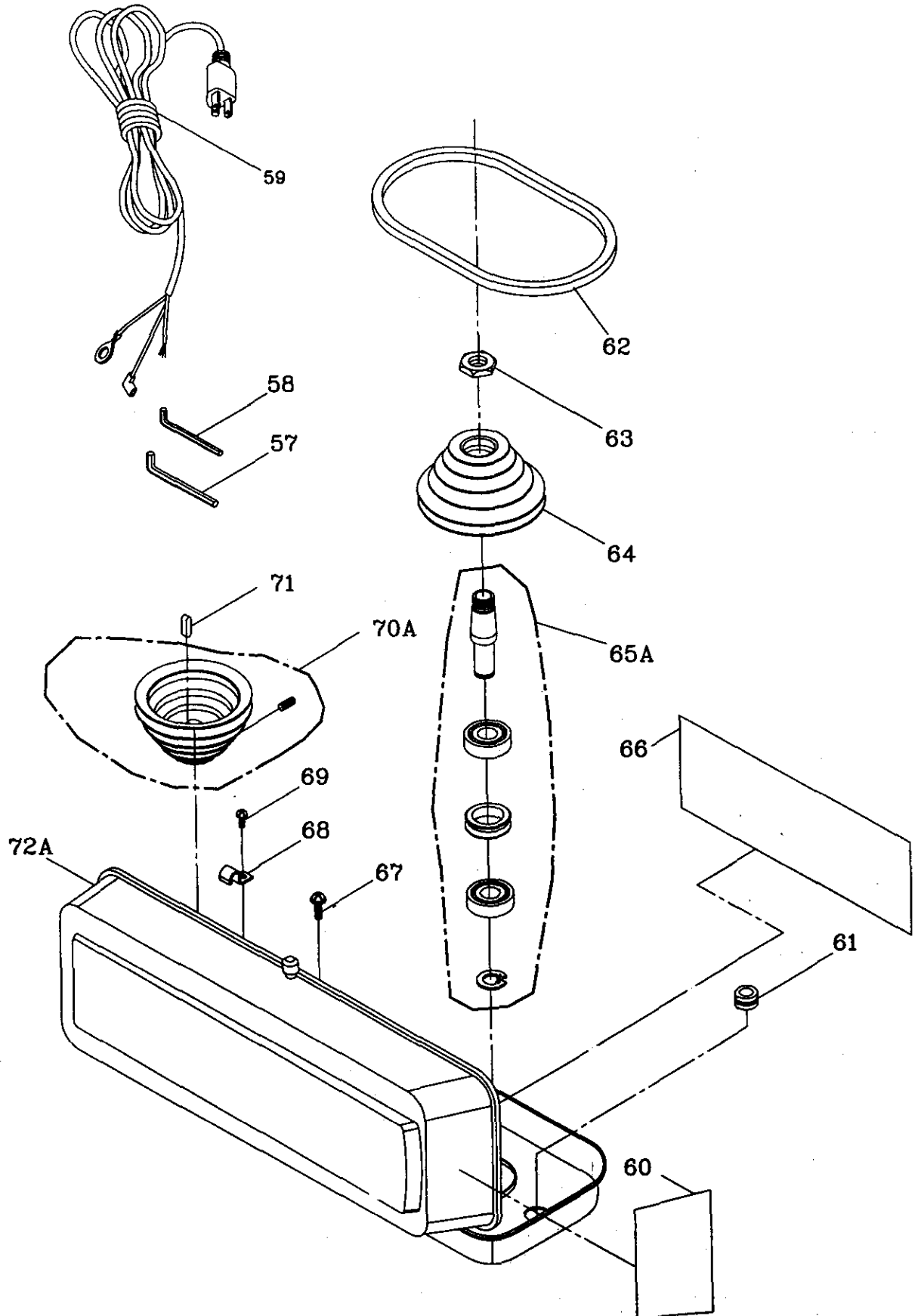
PARTS LIST FOR SCHEMATIC C

Key	Part No.	Description	Size	Qty
57	2138MBL704	WRENCH HEX	4-64	1
58	2138MBL703	WRENCH HEX	3-57	1
59	2807BY06H2	POWER CABLE		1
60	13916905	LABEL		1
61	2801ABRF04	STRAIN RELIEF		2
62	2572ARK340	V-BELT		1
63	10306901	PULLEY SET NUT		1
64	10307005	SPINDLE PULLEY		1
65A	10306512A1	DRIVING SLEEVE ASS'Y		1
66	13916602	LABEL		1
67	2641BBDA39	CR. RE. ROUND HD.SCREW	M6X1.0-12	4
68	10208302	CLAMP-CORD		4
69	2668BBDA23	CR. RE. PAN HD.SCREW		4
70A	10307908A2	MOTOR PULLEY ASS'Y		1
71	2571MNC307	PARALLEL KEY		1
72A	10409011A3	PULLEY COVER ASS'Y		1

CRAFTSMAN 12" DRILL.PRESS

MODEL NO. 137.219120

SCHEMATIC C



Get it fixed, at your home or ours!

For repair of major brand appliances in your own home...
no matter who made it, no matter who sold it!

1-800-4-MY-HOMESM Anytime, day or night
(1-800-469-4663)

www.sears.com

To bring in products such as vacuums, lawn equipment and electronics
for repair, call for the location of your nearest **Sears Parts & Repair Center.**

1-800-488-1222 Anytime, day or night

www.sears.com

For the replacement parts, accessories and owner's manuals
that you need to do-it-yourself, call **Sears PartsDirectSM**!

1-800-366-PART 6 a.m. - 11 p.m. CST,
(1-800-366-7278) 7 days a week

www.sears.com/partsdirect

To purchase or inquire about a Sears Service Agreement:

1-800-827-6655

7 a.m. - 5 p.m. CST, Mon. - Sat.

Para pedir servicio de reparación a domicilio,
y para ordenar piezas con entrega a domicilio:

1-888-SU-HOGARSM
(1-888-784-6427)

Au Canada pour service en français:

1-877-LE-FOYERSM
(1-877-533-6937)

© Sears, Roebuck and Co.

SEARS
HomeCentral™

© Registered Trademark™/Trademark of Sears, Roebuck and Co.
© Marca Registrada™/Marca de Fábrica de Sears, Roebuck and Co.

FULL ONE YEAR WARRANTY

If this product fails due to a defect in material or workmanship within one year from the date of purchase, Sears will repair it free of charge.

Contact a Sears Service Center for repair.

If this product is used for commercial or rental purposes, this warranty applies only for 90 days from the date of purchase.

This warranty gives you specific legal rights, and you may also have other rights which vary from state to state.

Sears, Roebuck and Co., Dept. 817 WA, Hoffman Estates, IL 60179

GARANTÍA TOTAL DE 1 AÑO

Si esta herramienta presentase defectos de material o fabricación dentro del primer año a partir de la fecha de compra, Sears la reparará sin costo alguno.

Contactarse con un Centro de Servicio de Sears para la reparación.

Si esta herramienta se usa para fines comerciales o para alquiler, esta garantía se aplica sólo por los primeros 90 a partir de la fecha de compra.

Esta garantía le otorga derechos legales específicos y también podría usted tener otros derechos que varían de un estado a otro.

Sears, Roebuck and Co., Dept. 817 WA, Hoffman Estates, IL 60179

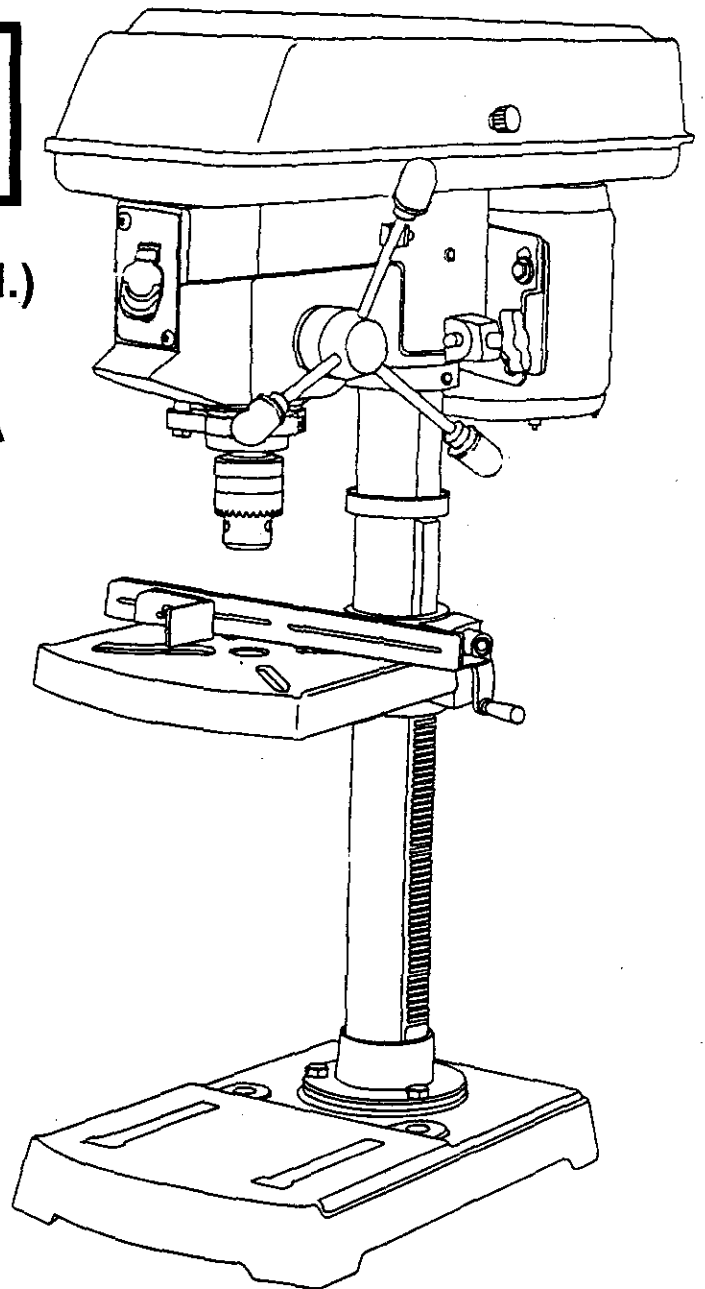
Manual de Operación

CRAFTSMAN®

2/3HP (Potencia Máxima)
5 Velocidades (540-3600 R.P.M.)
Mandril de 1/2 Pulg.

PRENSA TALADRADORA DE 12 PULG.

Modelo No.
137.219120



CUIDADO:

Antes de usar esta Prensa Taladradora leer este manual y seguir todas las Reglas de Seguridad e instrucciones de Operación

- Instrucciones de Seguridad
- Instalación
- Operación
- Mantenimiento
- Lista de Partes

**Teléfono para
Ayuda al Cliente
1-800-843-1682**

**Sears, Roebuck and Co., Hoffman Estates, IL 60179
USA**

Part No.137219120001

TABLA DE CONTENIDOS

SECCIÓN	PÁGINA
Garantía	30
Especificaciones de la Herramienta	30
Instrucciones de Seguridad	31
Accesorios y Aditamentos	34
Contenido de la Caja	34
Familiarizarse con la Prensa Taladradora	36
Glosario de Términos	37
Ensamblaje y Regulación	38
Operación	43
Mantenimiento	48
Guía para Diagnóstico de Problemas	49
Partes	50

ESPECIFICACIONES DE LA HERRAMIENTA

TAMAÑO DEL MANDRIL	1/2"(13mm)
VELOCIDADES	5 (540-3,600 RPM)
MOTOR	120V, 60 HZ, 6 AMPS.
CABALLAJE	2/3 HP(Desarrollo Máxi.)
LUZ INCORPORADA	60 Wats (Máximo) (No incluye el foco)
TAMAÑO DE LA MESA	10-5/16" X 8-21/32"
INCLINACIÓN DE LA MESA	(26.2 cm X 22 cm) 45° A LA DERECHA O IZQUIERDA
DESPLAZAMIENTO DEL EJE	2-3/8" (6 cm)
CUELLO	6" (15.2cm)
TAMAÑO DE LA BASE	14-3/8" X 8-1/4" (36.6cm X 21cm)
ALTURA	37-3/32"(94.2cm)

⚠ ADVERTENCIA

Usar protección adecuada en el circuito para evitar riesgos eléctricos, de incendio o daños a la herramienta.

La Prensa Taladradora está cableada en la fábrica para operar a 120V. Conectarla a un circuito de 120V, 15 Amps. y usar un interruptor de circuito o fusible de retardo de 15 Amos. Si el cordón eléctrico estuviese gastado, cortado o dañado en cualquier forma, reemplazarlo de inmediato para evitar electrocución o incendio.

ADVERTENCIA

⚠ ADVERTENCIA

Algunos polvos creados por el lijado mecánico, el aserrado, el esmerilado, el taladrado y otras actividades de construcción contienen sustancias químicas conocidas [por le Estado de California] como agentes cancerígenos, defectos congénitos y otros daños reproductores. Algunos ejemplos de estas sustancias químicas son:

- El plomo de las pinturas a base de plomo,
- El sílice cristalino de los ladrillos y cemento y otros productos de mampostería, y
- El arsénico y el cromo de la madera tratada químicamente.

El riesgo resultante de la exposición varía según la frecuencia con que se realiza este tipo de trabajo. Para reducir la exposición a estas sustancias químicas: trabaje en un lugar bien ventilado y realice el trabajo utilizando el equipamiento apropiado, tal como las máscaras para el polvo especialmente diseñados para eliminar las partículas minúsculas.

INSTRUCCIONES GENERALES DE SEGURIDAD

ANTES DE USAR LA PRENSA TALADRADORA

La seguridad es una combinación de sentido común, mantenerse alerta y saber como usar la Prensa Taladradora.

▲ ADVERTENCIA

Para evitar errores que puedan causar lesiones serias, no conectar el taladro hasta haber leído y entendido lo siguiente:

1. **LEER** y familiarizarse con todo este manual de instrucciones. **ENTENDER** las aplicaciones, limitaciones y riesgos posibles.
2. **MANTENER LOS PROTECTORES EN POSICIÓN** y en buenas condiciones de operación.
3. **NO OPERAR EN AMBIENTES PELIGROSOS.** No usar la herramienta en lugares húmedos, mojados o expuestos a la lluvia. Mantener el área de trabajo bien iluminada.
4. **NO USAR** herramientas eléctricas en la presencia de líquidos o gases inflamables.
5. **MANTENER EL ÁREA DE TRABAJO LIMPIA.** Las áreas y mesas de trabajo congestionadas invitan a que ocurran accidentes.
6. **MANTENER A LOS NIÑOS ALEJADOS.** Todos los visitantes deben mantenerse a una distancia segura del área de trabajo.
7. **NO FORZAR LA HERRAMIENTA.** La herramienta hará un mejor trabajo y más seguro usándola sólo en la forma para la que fue diseñada.
8. **USAR LA HERRAMIENTA ADECUADA.** No forzar la herramienta al hacer un trabajo para el cual no ha sido diseñada.
9. **USAR ROPA ADECUADA.** NO usar ropa suelta, guantes, corbatas, anillos, brazaletes ni joyas que puedan quedar atrapados en las piezas móviles de la herramienta. Se recomienda usar calzado antiesbalante. Usar prendas de cabeza para cubrir o contener el cabello largo.
10. **USAR UNA MÁSCARA PARA LA CARA O PARA POLVO.** Los trabajos con taladro producen polvo.
11. **DESCONECTAR LAS HERRAMIENTAS** antes de cambiarle accesorios tales como: hojas, brocas, cortadores y similares.
12. **REDUCIR EL RIESGO DE ARRANQUES ACCIDENTALES.** Cerciorarse que el interruptor de energía esté en la posición "OFF" (Apagado) antes de enchufar la herramienta a la corriente eléctrica.
13. **USAR ACCESORIOS RECOMENDADOS.** Consultar con el manual del operador para determinar cuales son los accesorios recomendados. El uso de accesorios inapropiados puede ser peligroso y generar riesgo de lesiones personales.
14. **RETIRAR LAS HERRAMIENTAS DE REGULACIÓN.** Formarse el hábito de verificar que las herramientas y las llaves de regulación hayan sido retiradas del taladro antes de activarlo.
15. **NUNCA DEJAR DESATENDIDA UNA HERRAMIENTA ELÉCTRICA CUANDO ESTÉ FUNCIONANDO. DESCONECTAR LA FUENTE DE ENERGÍA.** No alejarse del lugar hasta que la herramienta se haya detenido por completo.
16. **NUNCA PARARSE SOBRE LA HERRAMIENTA.** Pueden ocurrir lesiones serias si la herramienta se voltea o si se entra en contacto con el taladro.
17. **NO ESTIRARSE MÁS ALLÁ DEL ALCANCE DE UNO.** Mantener los dos pies bien apoyados y el equilibrio en todo momento.
18. **DAR MANTENIMIENTO CUIDADOSO A LAS HERRAMIENTAS.** Para una operación mejor, más segura y rápida, mantener las herramientas afiladas y limpias. Seguir las instrucciones para la lubricación y cambio de accesorios.
19. **INSPECCIONAR PARA DETECTAR PIEZAS DAÑADAS.** Antes de usar la herramienta, siempre inspeccionarla cuidadosamente para cerciorarse si los protectores u otras piezas están dañadas y determinar si va a operar adecuadamente en el uso que se le va a dar. Inspeccionar si hay piezas móviles desalineadas o atracadas; partes rotas o mal montadas, y cualquier otra condición que pueda afectar la operación de la herramienta. Si un protector o cualquier otra pieza estuviese dañada debe repararse adecuadamente o reemplazarse.
20. **ASEGURARSE QUE LOS NIÑOS NO TENGAN ACCESO AL TALLER DE TRABAJO.** Usar candados, interruptores maestros y quitar las llaves de activación.
21. **NO** operar la herramienta bajo la influencia de drogas, alcohol o medicamentos que pudiesen afectar la habilidad para operar la herramienta adecuadamente.
22. El polvo generado por ciertos materiales puede ser nocivo para la salud. Siempre operar la Prensa Taladradora en un área bien ventilada para eliminar el polvo. Cuando fuese posible, usar sistemas recolectores de polvo.
23. **SIEMPRE USAR PROTECCIÓN PARA LOS OJOS.** Cualquier Prensa Taladradora puede arrojar cuerpos extraños a los ojos que pueden causar daños permanentes a la vista. **SIEMPRE** usar Gafas de Seguridad (no anteojos) que cumplan con la norma Z87.1 de ANSI. Los anteojos de uso diario sólo tienen lentes resistentes a los impactos, estos **NO SON** gafas de seguridad. Las Gafas de Seguridad pueden adquirirse en Sears. **NOTA:** Los anteojos o gafas que no cumplen con la norma Z87.1 de ANSI pueden causar daños serios al romperse.



CONSERVAR ESTAS INSTRUCCIONES

REGLAS DE SEGURIDAD ESPECÍFICAS PARA LA PRENSA TALADRADORA

▲ ADVERTENCIA

Por su propia seguridad, no tratar de usar la Prensa Taladradora ni enchufarla hasta que esté completamente ensamblada e instalada de acuerdo con las instrucciones, y hasta haber leído y entendido este manual de instrucciones:

1. **LA PRENSA TALADRADORA DEBE ESTAR EMPERNADA** en forma segura al banco de trabajo. Adicionalmente, si hubiese la tendencia a que el banco de trabajo Taladradora se mueva durante ciertas operaciones, empernar la prensa al piso.
2. **ESTA PRENSA TALADRADORA** sólo es para usarse en condiciones secas y en interiores.
3. **USAR PROTECCIÓN OCULAR.** USAR máscara protectora para la cara o para polvos junto con gafas de seguridad si la operación genera polvo. USAR protectores de oído, especialmente durante periodos largos de operación.
4. **NO** usar guantes, corbata ni ropa suelta.
5. **NO** intentar taladrar objetos que sean demasiado pequeños como para fijarlos con sujetadores.
6. **SIEMPRE** mantener las manos fuera del camino de las brocas. Evitar colocar las manos en posiciones en las cuales un resbalón súbito pueda hacer que las manos entren en contacto con la broca.
7. **NO** instalar ni usar brocas cuyo largo exceda 175 mm (7") o que se proyecten 150 mm (6") por debajo de las quijadas del mandril. Pueden doblarse súbitamente hacia afuera o romperse.
8. **NO USAR** ruedas de alambre, brocas para buriladoras, cuchillas formadoras, cortadores de círculos ni cepillos giratorios en esta Prensa Taladradora.
9. **CUANDO** se esté taladrando una pieza grande de material, cerciorarse que esté completamente sujeta a la altura de la mesa.
10. **NO** realizar operación alguna a mano libre. **SIEMPRE** sujetar la pieza que se esté trabajando en forma firme contra la mesa para que no se mueva o tuerza. Usar sargentas o prensas si se taladran piezas inestables.
11. **CERCIORARSE** que no hayan clavos ni objetos extraños en la parte de la pieza que se va a taladrar.
12. **FIJAR LA PIEZA DE TRABAJO CON SUJETADORES** contra el lado izquierdo de la columna para evitar que gire. Si fuese muy corta o si la mesa de la herramienta estuviese inclinada, sujetarla firmemente a la mesa y usar la guía provista.
13. **SI LA PIEZA DE TRABAJO** se proyecta fuera de la mesa de forma tal que se caiga o incline si no estuviese sujeta, sujetarla a la mesa o proveer un soporte auxiliar.
14. **FIJAR LA PIEZA DE TRABAJO.** Cuando fuese práctico, usar sargentas o una prensa para sujetar la pieza de trabajo. Es más seguro que usar la mano y deja libre ambas manos para operar la herramienta.
15. **AL USAR** una prensa para taladro, siempre sujetarla a la mesa.
16. **CERCIORARSE QUE** todos los elementos mecánicos de sujeción estén ajustados firmemente antes de comenzar a taladrar.
17. **ASEGURAR EL CABEZAL CON EL SEGURO** y sujetar el soporte de la mesa a la columna, y la mesa al soporte antes de operar la Prensa Taladradora.
18. **NUNCA** hacer funcionar la Prensa Taladradora antes de haber despejado todo objeto de la mesa (herramientas, desechos de madera, etc.).
19. **ANTES DE COMENZAR** la operación, hacer funcionar el taladro brevemente a baja velocidad para cerciorarse que no se bambolee o vibre.
20. **PERMITIR QUE EL EJE ALCANCE SU VELOCIDAD MÁXIMA** antes de comenzar a taladrar. Si el taladro hace algún ruido que no sea familiar o vibra excesivamente, detener el trabajo inmediatamente, apagar el taladro y desenchufarlo de la corriente. No volverlo a poner en operación hasta haber corregido el problema.
21. **NO** realizar labores de trazado, ensamblaje ni preparación sobre la mesa cuando la herramienta esté en operación.
22. **USAR LA VELOCIDAD RECOMENDADA** para el accesorio y tipo de material de la pieza que se esté trabajando. **VER LAS INSTRUCCIONES** que vienen con el accesorio.
23. **AL TALADRAR** orificios de diámetro grande, fijar la pieza de trabajo con sujetadores en forma firme a la mesa. De lo contrario la broca puede agarrar la pieza que se esté trabajando y hacerla girar a gran velocidad. **NO USAR** cuchillas de fresadora ni elementos que taladren orificios múltiples porque pueden desarmarse o desbalancearse con el uso.
24. **CERCIORARSE** que el eje se haya detenido completamente antes de entrar en contacto con la pieza de trabajo.
25. **PARA EVITAR LESIONES** debidas a arranques accidentales, siempre colocar el interruptor en la posición de "OFF" (Apagado) y desenchufar el taladro antes de instalar o retirar accesorios o de realizar cualquier ajuste o regulación.
26. **MANTENER LOS PROTECTORES EN POSICIÓN** y en buenas condiciones de operación.
27. **SÓLO USAR UNA LLAVE DEL MANDRIL TIPO AUTO EXPULSANTE** como la provista con la Prensa Taladradora.

CONSERVAR ESTAS INSTRUCCIONES

INSTRUCCIONES PARA LA CONEXIÓN A TIERRA

EN EL EVENTO DE UNA FALLA O MAL FUNCIONAMIENTO, la conexión a tierra provee una vía de menor resistencia para la corriente eléctrica, reduciendo así el riesgo de choque eléctrico. Esta herramienta está equipada con un cordón eléctrico que tiene un conductor para conexión a tierra y también con un enchufe con espiga para el mismo fin. El enchufe DEBE conectarse en un tomacorriente que le haga juego y que esté debidamente instalado y conectado a tierra de acuerdo con TODOS los códigos y ordenanzas locales.

NO MODIFICAR EL ENCHUFE PROVISTO. Si no entra en el tomacorriente, hacer que un electricista calificado instale un tomacorriente adecuado.

LA CONEXIÓN INADECUADA DEL CONDUCTOR para tierra de un equipo puede generar riesgo de choque eléctrico. El conductor con forro aislante verde (con o sin rayas amarillas) es el conductor para conexión a tierra. Si el cordón eléctrico o el enchufe requieren reparaciones o reemplazo, NO conectar el conductor para tierra del equipo a un terminal vivo.

AVERIGUAR con un electricista o personal de servicio si se tiene cualquier duda en cuanto a la conexión correcta a tierra del equipo, o si las instrucciones para la conexión a tierra no están claras.

SÓLO USAR CORDONES DE EXTENSIÓN QUE TENGAN ENCHUFE DE TRES ESPIGAS Y UN TOMACORRIENTE QUE ACEPTE EL ENCHUFE DE LA HERRAMIENTA. REPARAR O REEMPLAZAR INMEDIATAMENTE LOS CORDONES DAÑADOS O GASTADOS.

RECOMENDACIONES PARA LOS CORDONES DE EXTENSIÓN

Cerciorarse que el cordón de extensión esté en buenas condiciones. Al usar un cordón de extensión, cerciorarse que sea lo suficientemente grueso para conducir la corriente que la herramienta demandará. Un cordón subdimensionado causará una caída en el voltaje de la línea causando una pérdida de potencia y recalentamiento. La tabla que aparece en esta página muestra los calibres correctos de los cordones según su extensión y el amperaje requerido por la herramienta que aparece en la placa. En caso de duda, usar el siguiente calibre más grueso. Cuanto menor el número del calibre, mayor el diámetro del alambre.

Cerciorarse que el cordón de extensión tenga los alambres adecuados y que esté en buenas condiciones eléctricas. Siempre reemplazar los cordones de extensión dañados o hacerlos reparar por una persona calificada antes de usarlos. Proteger los cordones de extensión de los objetos filosos, del calor o humedad excesiva y de las áreas húmedas o mojadas.

Usar un ramal de circuito independiente para esta herramienta. Este circuito debe ser de un alambre cuyo calibre no sea menor a 12 y debe estar protegido con un fusible de retardo de 15 Amps. Antes de conectar el motor a la línea de suministro eléctrico, cerciorarse que el interruptor esté en la posición de "OFF" (Apagado) y que la corriente eléctrica sea la indicada en la placa de datos del motor. Operar la herramienta con un voltaje menor puede dañar el motor.

Esta herramienta está diseñada para usarse en un circuito que tenga un tomacorriente como el ilustrado en la FIGURA A. La FIGURA (A) muestra un enchufe eléctrico y un tomacorriente de 3 contactos, uno de los cuales es un conductor para conexión a tierra. Si no se dispone de un tomacorriente con conductor para conexión a tierra, temporalmente se puede usar un adaptador (FIGURA B) para enchufarlo en un tomacorriente de 2 contactos sin conexión a tierra. El adaptador (FIGURA B) tiene un anillo rígido que le sobresale y que DEBE conectarse físicamente en forma permanente a tierra, tal como la caja de un tomacorriente debidamente conectado a tierra. El Código Eléctrico Canadiense prohíbe el uso de estos adaptadores.

CUIDADO: En todos los casos, cerciorarse que el tomacorriente en cuestión esté adecuadamente conectado a tierra. Si no se estuviese seguro, hacer que un electricista licenciado inspeccione el tomacorriente.

▲ ADVERTENCIA

Esta Prensa Taladradora está diseñada únicamente para uso en interiores. No exponerla a la lluvia ni usarla en lugares húmedos.

Fig. A

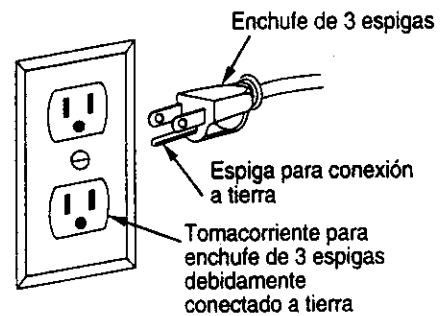
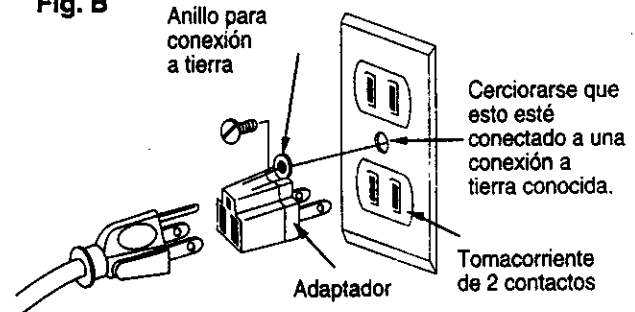


Fig. B



▲ ADVERTENCIA

Para protección del operador contra choques eléctricos, esta herramienta debe estar conectada a tierra.

CALIBRE MÍNIMO DE LOS CORDONES DE EXTENSIÓN (AWG)

		(Sólo al usar 120 voltios)			
Amperaje Especificado		Longitud total del cordón en pies			
más de	no más de	25'	50'	100'	150'
0	6	18	16	16	14
6	10	18	16	14	12
10	12	16	16	14	12
12	16	14	12	no recomendado	

CONSERVAR ESTAS INSTRUCCIONES

ACCESORIOS Y ADITAMENTOS

ACCESORIOS DISPONIBLES

▲ ADVERTENCIA

Sólo usar accesorios recomendados para esta Prensa Taladradora. Seguir las instrucciones que acompañan a los accesorios. El uso de accesorios inadecuados puede generar riesgos.

Visitar el Departamento de Ferrería de la tienda Sears más cercana o ver el Catálogo de Herramientas Eléctricas/Neumáticas y Manuales de Sears para los siguientes accesorios:

- Brocas para Taladro
- Sujetador y Guía
- Prensas para Prensa Taladradora
- Juego de Mortaja y Espiga para Prensa Taladradora
- Juego de Sujetadores
- Cíncel y Brocas tipo Mortaja y Espiga
- Tambores Lijadores
- Ruedas Pulidoras de hasta 4" (10 cm) de Diámetro Máximo
- Sierra para Orificios de hasta 2-1/2" (6.35 cm)

▲ ADVERTENCIA

Para evitar lesiones causadas por piezas rotas o piezas de trabajo rotas expedidas, sólo usar accesorios recomendados para esta Prensa Taladradora.

Sears puede recomendar otros accesorios no listados en este manual. Visitar la tienda Sears más cercana o ver el Catálogo de Herramientas Eléctricas/Neumáticas y Manuales de Sears.

No usar accesorio alguno a menos de haber leído completamente el manual de instrucciones u operación de ese accesorio.

CONTENIDO DE LA CAJA

DESEMBALAJE Y VERIFICACIÓN DEL CONTENIDO

▲ ADVERTENCIA

Si faltasen piezas o hubiesen piezas dañadas, no enchufar la Prensa Taladradora hasta conseguir las piezas faltantes o de reemplazar las dañadas y hasta haber completado el ensamblaje.

Desempaquetar cuidadosamente la Prensa Taladradora y todas sus partes y verificarlas contra la relación que está a continuación.

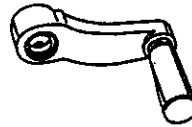
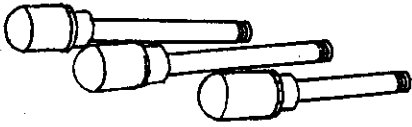
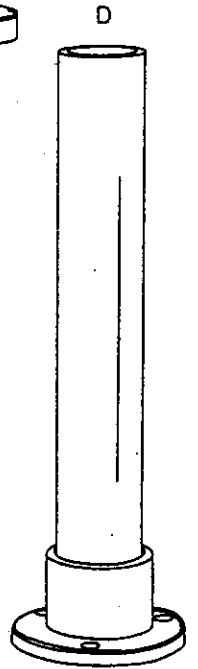
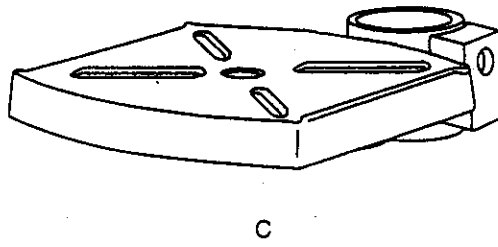
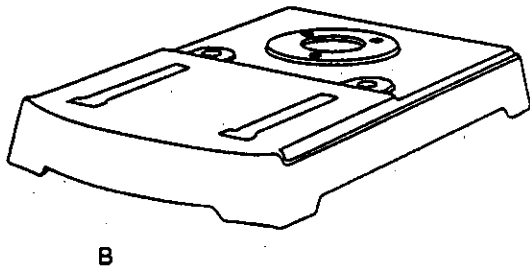
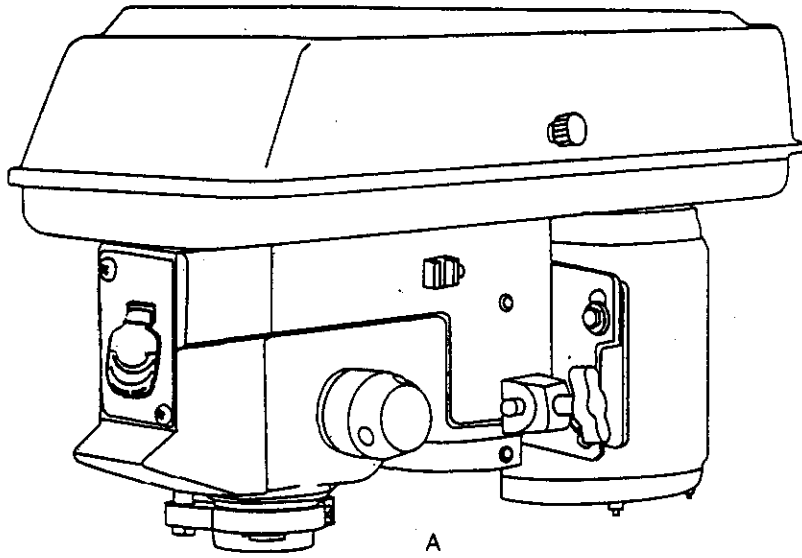
Para proteger la Prensa Taladradora contra la humedad, las partes maquinadas han sido recubiertas con una capa protectora que se debe remover con un paño humedecido con kerosene o WD-40.

▲ ADVERTENCIA

Para evitar incendios o reacciones tóxicas, nunca usar gasolina, nafta, acetona, tiner para lacas o solventes similares de alta volatilidad para limpiar la Prensa Taladradora.

TABLE OF LOOSE PARTS

ART	DESCRIPCIÓN	CANTIDAD
A.	Cabezal	1
B.	Mesa	1
C.	Base	1
D.	Columna	1
E.	Anillo	1
F.	Cremallera	1
	Bolsa con piezas sueltas:	
G.	Manijas de Avance	3
H.	Manija del Seguro	1
I.	Manivela	1
J.	Pernos Hexagonales	4
K.	Guía	1
L.	Perno Perilla de 3 Aletas	2
M.	Bloque-T	2
N.	Arandela	2
O.	Llaves Hexagonales	3
P.	Cuña	1
	Vástago	1
Q.	Caja:	
R.	Llave del Mandril	1
	Mandril	1



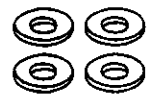
G

H

I

J

K

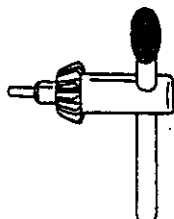


L

M

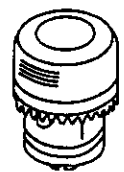
N

O



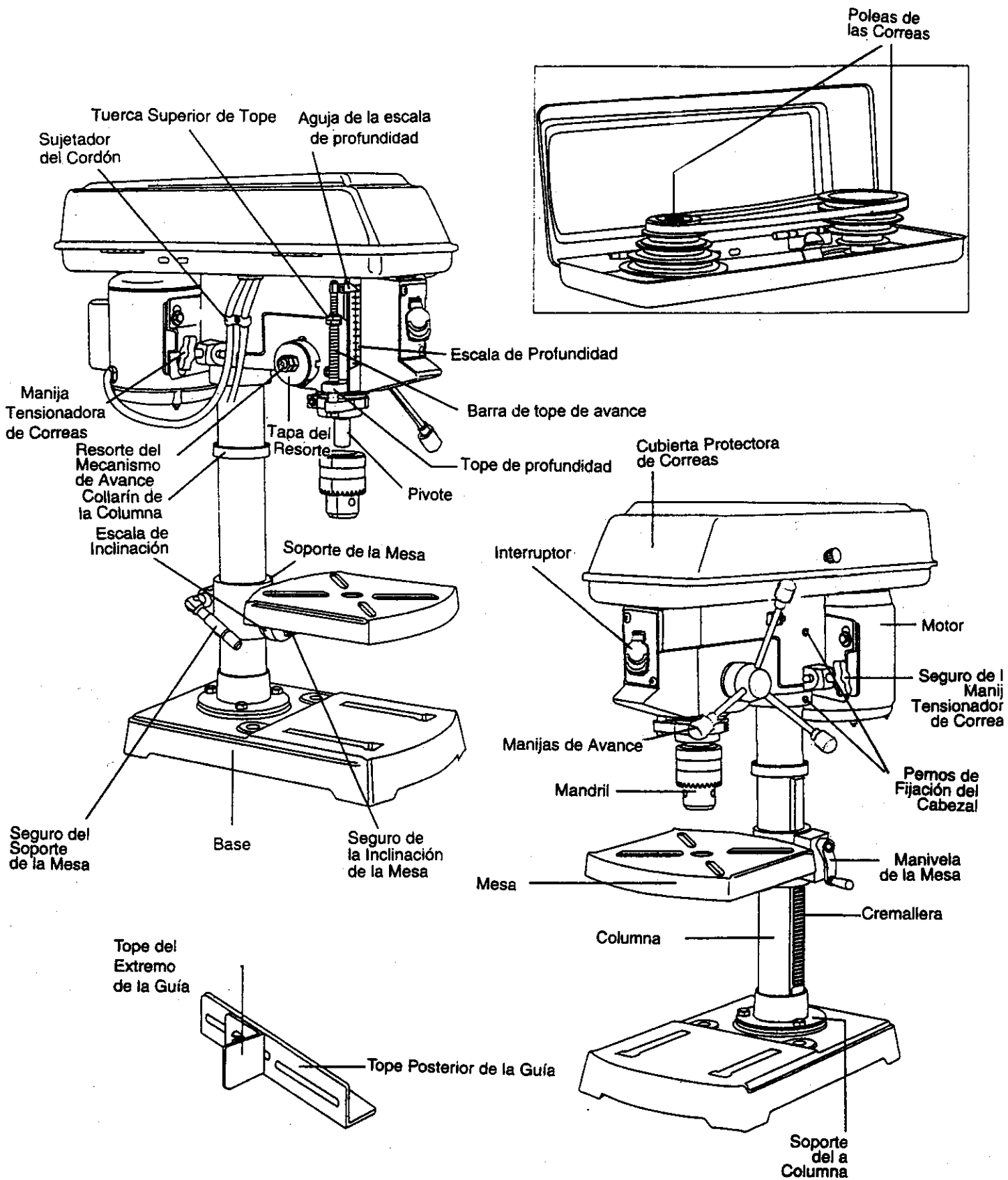
P

Q



R

FAMILIARIZARSE CON LA PRENSA TALADRADORA



GLOSARIO DE TÉRMINOS

BASE – Soporta la Prensa Taladradora. Para mayor estabilidad está provista de orificios para emperrar la Prensa Taladradora al piso. (Ver "Instrucciones de Seguridad Específicas para Prensas Taladradoras").

MATERIAL DE APOYO – Una pieza de madera de desecho que se coloca entre la pieza que se trabaja y la mesa. La madera de apoyo evita que se astile la madera que se taladra cuando la broca la atravieza. También evita taladrar la superficie de la mesa.

CUBIERTA PROTECTORA DE CORREAS – Cubre las poleas y correas durante la operación de la Prensa Taladradora.

TENSIÓN DE LAS CORREAS – Referirse a las secciones: "Ensamblaje" e "Instalación y Tensión de Correas".

MANIJA TENSIONADORA DE CORREAS – Girar la manija en el sentido del reloj para tensionar la correa y contra el sentido del reloj para aliviar la tensión.

SEGURO DE LA MANIJA TENSIONADORA DE CORREAS – Ajustando las manijas se fija el soporte del motor y la manija tensionadora manteniendo la distancia y tensión correcta de la correa.

ESCALA DE INCLINACIÓN DE LA MESA – Muestra los grados de inclinación de la mesa para los trabajos de plano inclinado. La escala está montada a un costado del brazo.

MANDRIL – Sujeta la broca taladradora o cualquier otro accesorio recomendado para realizar los trabajos deseados.

LLAVE DEL MANDRIL – Una llave que se autoeyecta del mandril cuando se le suelta. Esta acción está diseñada para evitar que la llave salga disparada del mandril cuando se active la herramienta. No usar llaves substitutas. Si se deteriora o pierde, ordenar una llave nueva.

COLUMNA – Es un tubo que conecta el cabezal, la mesa y la base para facilitar su alineamiento y movimiento.

COLLARÍN DE LA COLUMNA – Sujeta la cremallera a la columna. La cremallera se mantiene móvil en el collarín para permitir los movimientos del soporte de la mesa.

SOPORTE DE LA COLUMNA – Soporta la columna, guía la cremallera y provee orificios para montar la columna a la base.

TUERCAS DE TOPE DE LA ESCALA DE PROFUNDIDAD – Fija el eje a la profundidad seleccionada.

ESCALA DE PROFUNDIDAD – Indica la profundidad del orificio que se está taladrando.

BROCA – La herramienta que se usa en la Prensa Taladradora para hacer los orificios en la pieza de trabajo.

INTERRUPTOR DEL TALADRO – Tiene un dispositivo de seguro. Este dispositivo está diseñado para evitar el uso no autorizado y posiblemente peligroso por niños y otras personas. Insertar la llave en el interruptor y girarla para poner el taladro en operación.

VELOCIDAD DE TALADRADO – Se cambia colocando la correa en cualquiera de las poleas. Ver la Tabla de Velocidades en la parte interna de la cubierta protectora de las correas.

MANIJAS DE AVANCE – Mueven el mandril hacia arriba y abajo. Si fuese necesario, se pueden quitar una o dos manijas cuando la pieza de trabajo sea de una forma tan inusual que interfiera con las manijas.

GUÍA – Se monta en la mesa y sirve para alinear la pieza de trabajo o para hacer perforaciones repetitivas en forma rápida. Es desmontable. Sacarla cuando interfiera con los accesorios de la Prensa Taladradora.

SEGUROS DEL CABEZAL – Fija el cabezal en la columna. SIEMPRE fijar el cabezal en posición con los seguros cuando se opere la Prensa Taladradora.

CREMALLERA – Funciona en combinación con el mecanismo de engranajes. Sirve para facilitar la elevación de la mesa operando a mano la manivela de la mesa.

REVOLUCIONES POR MINUTO (R.P.M.) – El número de vueltas completas que un objeto giratorio da en un minuto.

VELOCIDAD DEL EJE – Las R.P.M. del eje.

TAPA DEL RESORTE – Regula la tensión del resorte de la mortaja.

SEGURO DEL SOPORTE DE LA MESA – Al ajustarse los seguros se ajusta el soporte de la mesa a la columna. Siempre tenerlo puesto cuando se opere la Prensa Taladradora.

MESA – Provee una superficie de trabajo para apoyar la pieza de trabajo.

PERILLA DE SEGURO DE LA INCLINACIÓN DE LA MESA – Fija la mesa en cualquier ángulo de inclinación de 0° a 45°.

MANIVELA DE LA MESA – Sirve para subir y bajar la mesa. Girarla en el sentido del reloj para elevar la mesa. Debe soltarse el seguro del soporte antes de operar la manivela.

SEGURO DE LA MESA – Fija la mesa en posición después de colocarla en cualquier posición.

SOPORTE DE LA MESA – Se desplaza en la columna para soportar el brazo de la mesa y la mesa.

PIEZA DE TRABAJO – El material que se taladra.

INSTRUCCIONES PARA EL ENSAMBLAJE

⚠ ADVERTENCIA

Por su propia seguridad, nunca enchufar en el tomacorriente hasta haber completado todos los pasos del ensamblaje la regulación, y hasta haber leído y entendido las instrucciones de seguridad y operación.

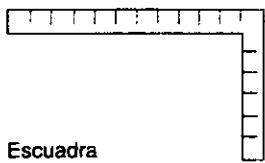
HERRAMIENTAS NECESARIAS



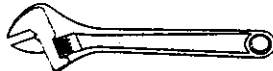
Desarmador Plano



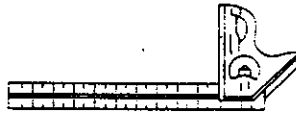
Llave combinada



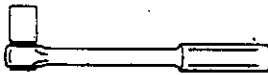
Escuadra



Llave regulable de 8" y 10"



Escuadra combinada



Llave ratchet con dado de 23 mm

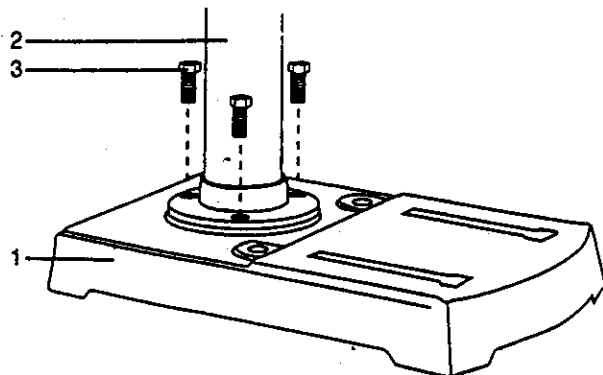
⚠ ADVERTENCIA

- La Prensa Taladradora es muy pesada y para ensamblarse en forma segura DEBE levantarse con la ayuda de 2 personas o más.

SOPORTE DE LA COLUMNA A LA BASE (FIG. A)

- Colocar la base (1) en el piso.
- Colocar la columna (2) en la base alineando los orificios en el soporte de la columna con los orificios de la base.
- Ubicar los cuatro pernos hexagonales largos (3) en la bolsa con piezas sueltas.
- Colocar un perno en cada orificio del soporte de la columna y de la base. Ajustar con una llave regulable.

Fig. A

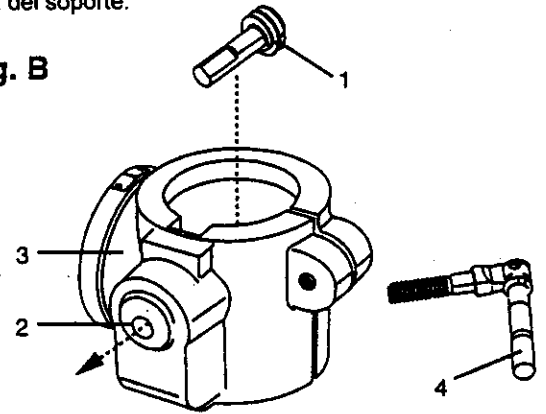


Ensamblaje de la columna a la mesa (Fig. B a F)

- Ubicar el eje de tornillo sinfín, la manivela de la mesa y el seguro del soporte de la mesa de la bolsa de piezas sueltas.
- Introducir el eje de tornillo sinfín (1) en el orificio (2) para la manivela de la mesa desde la parte interior del soporte (3). Asegurarse de que el eje de tornillo sinfín engrane con el engranaje interior.
- Introducir la manija del seguro del soporte de la mesa (4) en el orificio de la parte posterior del mismo. Ajustar.

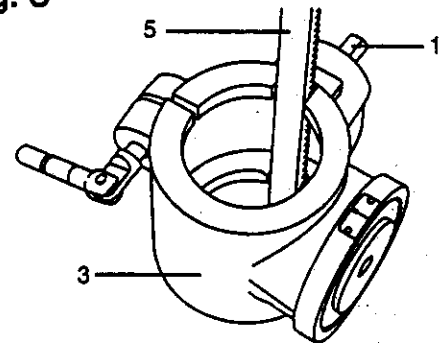
Nota: Para mayor claridad, en la ilustración no se ha incluido la mesa del soporte.

Fig. B



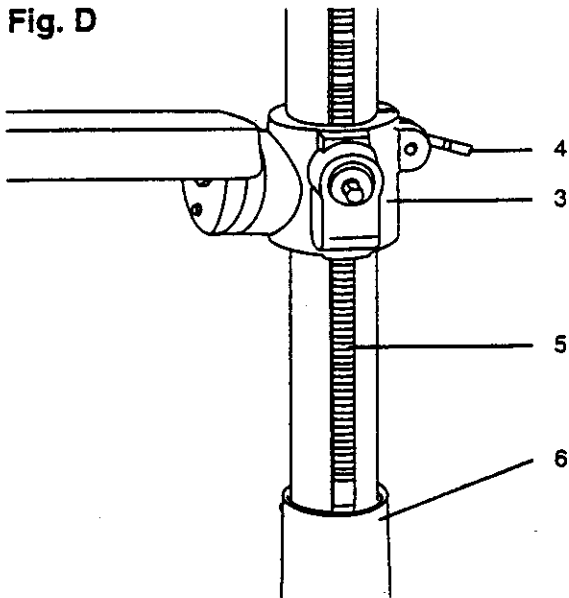
- Colocar la cremallera en su lugar dentro del soporte (3) de la mesa, asegurándose de que el eje de tornillo sinfín (1) en la parte interior del soporte quede engranado con los dientes de la cremallera.

Fig. C



- Colocar la unidad de soporte de la mesa junto con la cremallera (3, 5) en la columna.
- Hacer que la parte inferior de la cremallera (5) encaje en el borde del soporte de la columna (6). Ajuste la manija del seguro del soporte de la mesa (4) para fijar la unidad del soporte de la mesa en la columna.

Fig. D



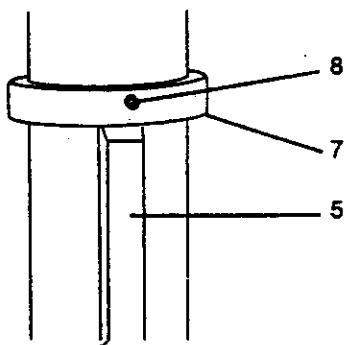
- Instale el anillo (7) sobre el extremo superior de la cremallera (5), en la columna.

IMPORTANTE: NO DEBE meter por completo la parte inferior del anillo sobre la parte superior de la cremallera. ASEGURARSE de que la parte superior de la cremallera quede debajo de la parte inferior del anillo y que haya suficiente espacio libre para que la cremallera pueda girar libremente alrededor de la columna.

Apriete el perno prisionero (8).

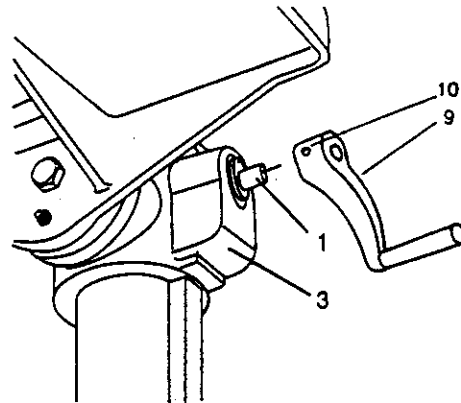
CUIDADO: Para evitar dañar la columna o el anillo, NO APRIETE EXCESIVAMENTE el perno prisionero.

Fig. E



- Instale la manivela (9) en el eje del tornillo sinfín (1) en el lado del soporte de la mesa (3).
- Alinee la parte plana del eje con el tornillo prisionero (10) de la manivela y apriete el tornillo con una llave hexagonal.

Fig. F



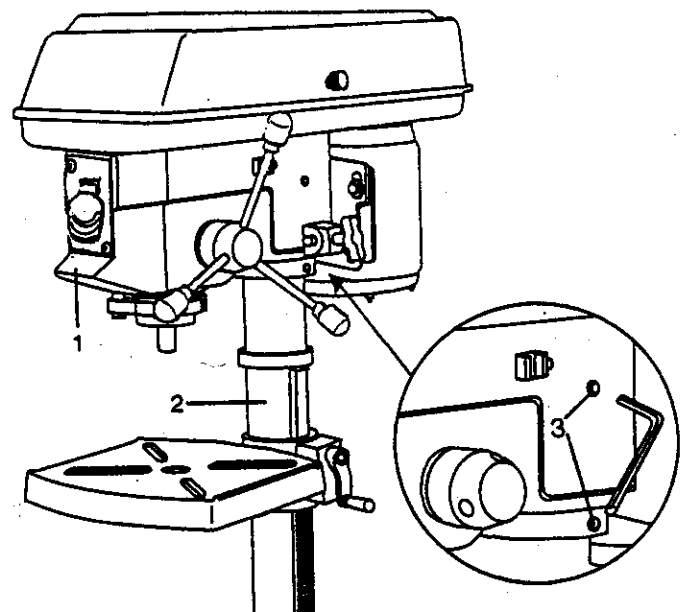
INSTALACIÓN DEL CABEZAL (FIG. G)

⚠ ADVERTENCIA

El cabezal de la Prensa Taladradora es muy pesada y para ensamblarse en forma segura en la columna DEBE levantarse con la ayuda de 2 PERSONAS O MÁS.

- Levantar el cabezal (1) cuidadosamente sobre la columna (2) y deslizarla en la columna. Cerciorarse que el cabezal se deslice tan abajo en la columna como sea posible. Alinear el cabezal con la base.
- Usando una llave hexagonal, ajustar los dos pernos de fijación (3) en el lado derecho del cabezal.

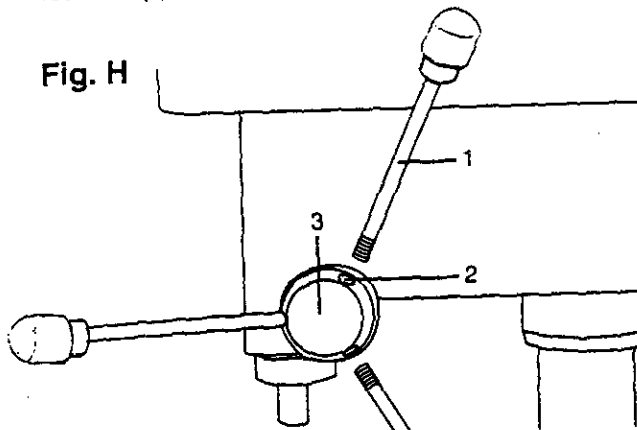
Fig. G



INSTALACIÓN DE LAS MANIJAS DE AVANCE (FIG. H)

1. Ubicar las tres manijas de avance en la bolsa de piezas sueltas.
2. Insertar y enroscar las manijas (1) en los orificios roscados (2) del cubo (3). Ajustar.

Fig. H

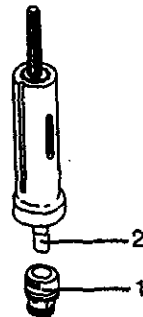


INSTALACIÓN DEL MANDRIL (FIG. I, J and K)

1. Limpiar el orificio ahusado en el mandril (1) con un paño limpio.
2. Limpiar las superficies ahusadas del vástago (2)

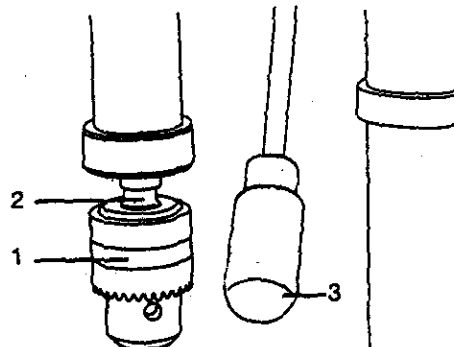
CUIDADO: Cerciorare que no hayan cuerpos extraños adheridos a las superficies. La partícula de tierra más pequeña en estas superficies evitará que el mandril se asiente apropiadamente. Esto hará que el mandril del taladro y la broca se bamboleen. Si el orificio ahusado estuviere extremadamente sucio, emplear un solvente limpiador.

Fig. I

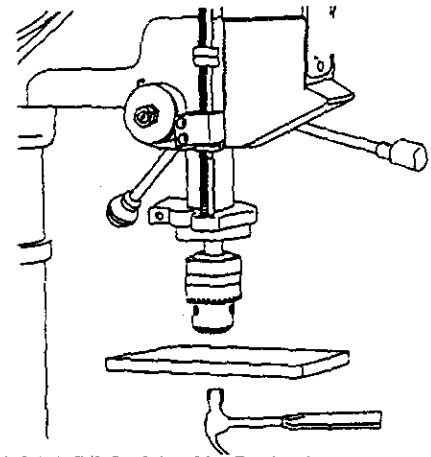


3. Bajar el eje girando las manijas de avance (3) contra el sentido del reloj.
4. Colocar el mandril (1) en el vástago (2). Golpearlo levemente para cerciorarse que se asiente.
5. Abrir las mandíbulas del mandril (1) girando la manga del mandril en el sentido del reloj. Para evitar daños, cerciorarse que las mandíbulas estén completamente retraídas dentro del mandril.

Fig. J



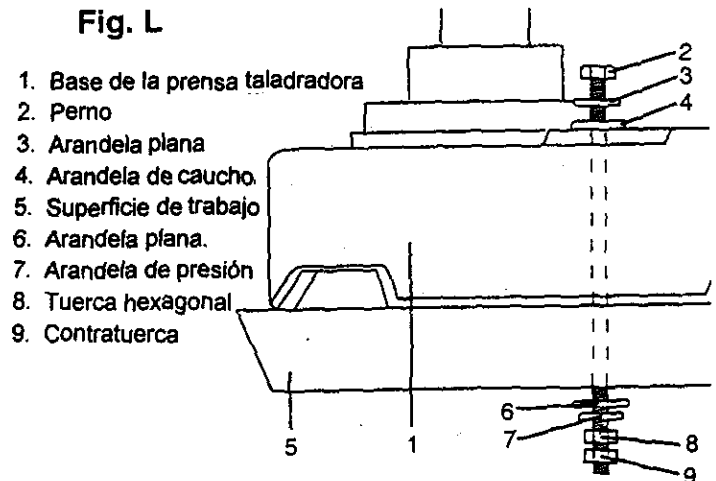
6. Usando un mazo de caucho o martillo con cabeza de plástico o un bloque de madera y un martillo, golpearlo levemente hacia arriba hasta que encaje en posición en el eje. Fig. K



CÓMO INSTALAR LA PRENSA TALADRADORA A LA SUPERFICIE DE TRABAJO. (FIG. L)

1. Si se instala la prensa taladradora sobre una mesa de trabajo, es preferible una mesa de madera maciza en lugar de un tablero de madera contrachapada, para disminuir el nivel de ruido y de vibración.
2. Debe haberse perforado los orificios previamente en la superficie de apoyo.
3. Con la herramienta, NO se suministra las piezas de ferretería para su instalación. Debe utilizarse las piezas de ferretería como se muestra en la ilustración:

Fig. L

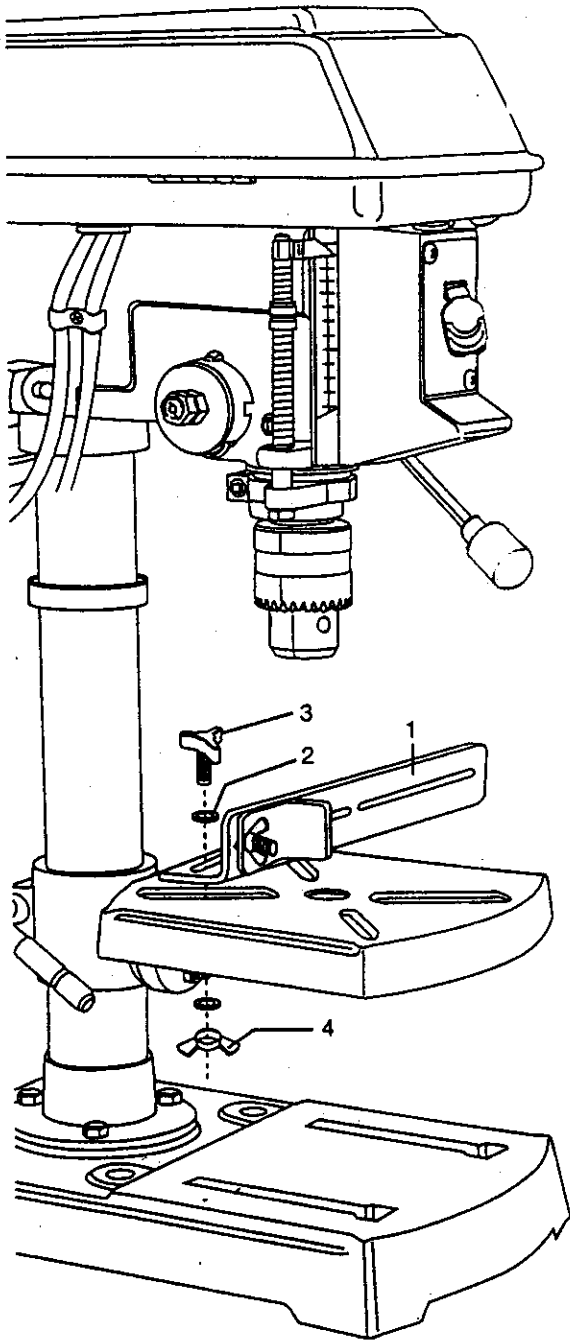


1. Base de la prensa taladradora
2. Perno
3. Arandela plana
4. Arandela de caucho.
5. Superficie de trabajo
6. Arandela plana.
7. Arandela de presión
8. Tuerca hexagonal
9. Contratuerca

ENSAMBLAJE DE LA GUÍA (FIG. M)

1. Decidir cuál es la posición deseada de la guía (1).
2. Alinear los orificios de instalación de la guía con las ranuras de la parte superior de la mesa.
3. Colocar una arandela (2) sobre el extremo roscado de la perilla (3). Introducir la perilla a través del orificio de instalación de la guía y la ranura de la mesa.
4. Colocar una arandela y una tuerca de mariposa (4) en la perilla, desde la parte inferior de la mesa.
5. Repetir el procedimiento para la otra perilla y ajustarlas.

Fig. M



REGULACIÓN DE LA PRENSA TALADRADORA

CUIDADO: Todos los ajustes y regulaciones necesarias para la operación de la Prensa Taladradora han sido hechas en la fábrica. Debido al uso y desgaste normal, ocasionalmente podrían requerirse algunos reajustes.

⚠ ADVERTENCIA

Para evitar lesiones debidas a un arranque accidental, SIEMPRE cerciorarse que el interruptor esté en la posición OFF (Apagado) y desconectar el enchufe del tomacorriente antes de hacer cualquier regulación.

ALINEAMIENTO DE LAS POLEAS DE LAS CORREAS (FIG. N)

Abrir la cubierta protectora de las correas en la Prensa Taladradora. Verificar el alineamiento de las poleas, con una regla (5), escuadra, nivel o pedazo de madera recta. Colocar el borde de la regla a lo largo de la parte superior de las poleas. Si todas las poleas estuviesen desalineadas:

1. Aliviar la tensión de las correas aflojando los seguros de las manijas tensionadoras (4) de correas a cada lado del cabezal, desenganchando las manijas tensionadoras (1) de correas.
2. Aflojar las tuercas (2) de montaje del motor. Subir o bajar el motor (3) hasta que las poleas queden alineadas.
3. Ajustar las tuercas (2) de montaje del motor usando una llave regulable.

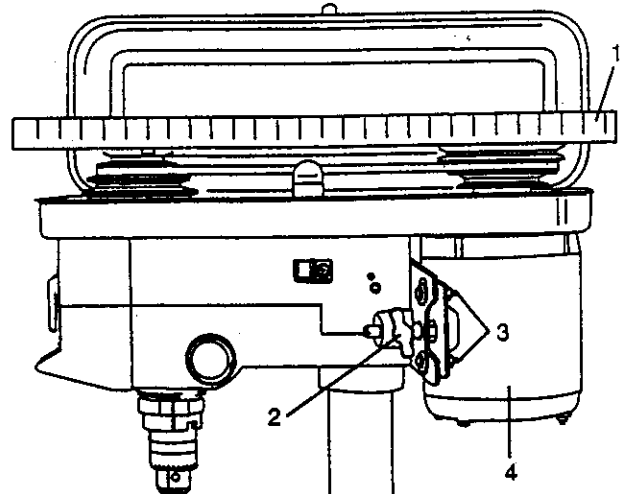
NOTA: Para evitar traqueteos y otros ruidos, el casco del motor no debe tocar la parte inferior del casco de la correa.

4. Volver a ajustar las correas girando en el sentido del reloj la manija tensionadora (1), hasta que la correa se deflexione 1.2 cm (1/2") al presionar la correa en el medio.

NOTA: Referirse a la tabla que se encuentra en la parte interior de la cubierta protectora de las correas, para obtener las posiciones de las poleas recomendadas para las distintas velocidades de taladrado.

5. Ajustar los seguros de la manija tensionadora (4), girándolos en el sentido del reloj.

NOTA: Cuando las correas están nuevas, puede ser difícil moverlas. Conforme se usa la máquina, las correas se volverán más elásticas y serán más fáciles de regular.



▲ ADVERTENCIA

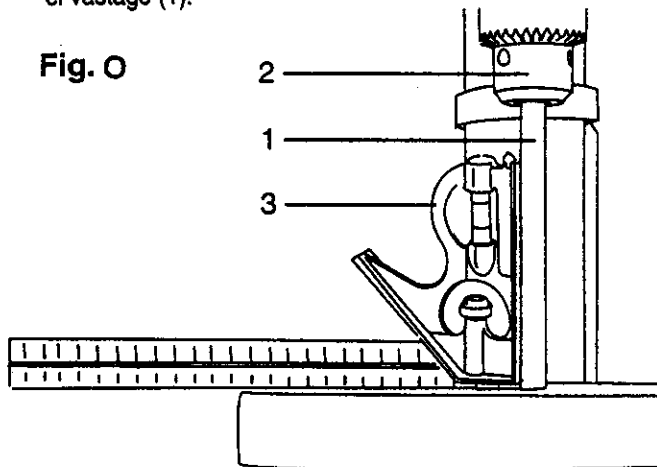
Para evitar lesiones personales, siempre desconectar el enchufe del tomacorriente antes de hacer cualquier regulación.

PARA PONER LA MESA A ESCUADRA CON EL CABEZAL (FIG. O, P)

NOTA: El brazo y el soporte de la mesa ya vienen con un orificio que trae insertado un tornillo para fijar la mesa en una posición horizontal predeterminada de 0°. Aflojar el tornillo para cambiar el ángulo de la mesa.

1. Insertar un vástago (1) de acero pulido a precisión, de 1/4" de diámetro o más, de aproximadamente 3" de largo dentro del mandril (2). Ajustar las mandíbulas del mandril.
2. Elevar la mesa a la altura requerida para trabajar y asegurarla en posición.
3. Usando una escuadra combinada (3), colocar un extremo sobre la mesa y alinear el otro extremo verticalmente con el vástago (1).

Fig. O



4. Si se necesita hacer una regulación, aflojar el perno de fijación (4) con una llave hexagonal de 3mm para SACAR la mesa de la posición horizontal.
5. Aflojar el perno grande de cabeza hexagonal que fija el ángulo de inclinación de la mesa.

▲ ADVERTENCIA

Para evitar lesiones, cerciorarse de sujetar la mesa y el brazo de la mesa de tal forma que no gire ni se incline.

6. Alinear la escuadra con el vástago girando la mesa hasta que la escuadra y el vástago queden alineadas.
7. Volver a ajustar el perno hexagonal grande (6).

ESCALA DE INCLINACIÓN (FIG. P)

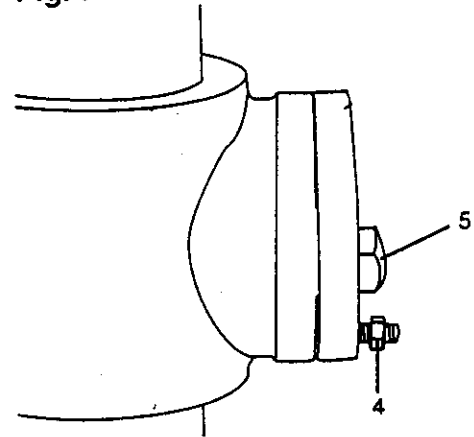
NOTA: Se ha incluido la escala de inclinación para medir la inclinación aproximada de los ángulos. Si es necesaria mayor precisión, debe utilizarse una escuadra u otro instrumento de medición para colocar la mesa. Para usar la escala de inclinación (6):

1. AJUSTAR la tuerca (4) el pasador de fijación para SOLTARLO del soporte de la mesa.
2. Aflojar el perno de fijación de la inclinación, de cabeza hexagonal (5).
3. Ajustar el perno de fijación de la inclinación (5).
4. Para regresar la mesa a su posición original, aflojar el perno de fijación de la inclinación (5).

5. Volver a colocar la tuerca (4) en el pasador de fijación, en el EXTREMO EXTERIOR DE LA ROSCA. Golpear suavemente el pasador de fijación hasta que quede asentado en el orificio. Ajustar la tuerca (4) con los dedos.

NOTA: Para mayor claridad, en la ilustración no se ha incluido la mesa.

Fig. P

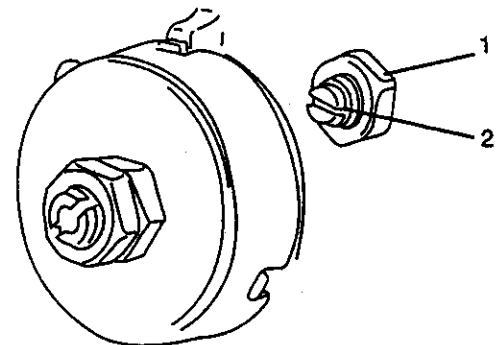


EJE/MORTAJA (FIG. Q)

Girar las manijas de avance contra el sentido del reloj para bajar el eje hasta su posición más baja. Sujetar el eje firmemente con la mano y moverlo hacia atrás y hacia adelante sobre su eje. Si tuviese demasiado juego, hacer lo siguiente:

1. Aflojar la contratuerca (1).
2. Para eliminar el juego, girar la punta ranurada del perno (2) en el sentido del reloj, pero sin obstruir el movimiento hacia arriba que el eje tiene. (Un pequeño juego del eje es normal).
3. Ajustar la contratuerca (1).

Fig. Q



RESORTE DE RETORNO DE LA MORTAJA (FIG. Q, R)

El resorte de retorno de la mortaja podría requerir regulación si su tensión hace que la mortaja regrese demasiado rápido o demasiado lento.

1. Bajar la mesa para lograr una mayor separación.
2. Colocar un desarmador en la ranura (1) frontal inferior de la tapa (2) del resorte. Sostenerla en posición a la vez que se afloja y se saca la contratuerca exterior (3).
3. Con el desarmador aun enganchado en la ranura, aflojar la tuerca interior (4) justo hasta que la ranura (5) se desenganche de su sujetador (6) en el cabezal de la Prensa Taladradora.

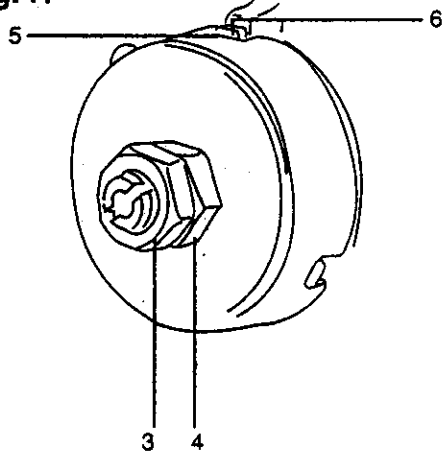
CUIDADO: NO SACAR ESTA TUERCA INTERIOR, porque el resorte se desbobinará con fuerza.

4. Usando un desarmador, girar cuidadosamente la tapa (2) del resorte contra el sentido del reloj hasta que la siguiente ranura enganche.
5. Bajar la mortaja hasta su posición más baja girando la manija de avance contra el sentido del reloj mientras se sujeta la tapa (2) del resorte en posición.
6. Si la mortaja se mueve hacia arriba y hacia abajo con la facilidad deseada, ajustar la tuerca estándar (4) con una llave regulable. Si estuviese demasiado floja, repetir los pasos 2 al 5 para ajustarla. Si estuviese demasiado ajustada, ejecutar los pasos 4 y 5 a la inversa.

NO SOBREAJUSTAR ni restringir el movimiento de la mortaja.

7. Volver a colocar la contratuerca (3) y ajustarla contra la tuerca estándar (4) para evitar que la tuerca estándar se regrese.

Fig. R



⚠ ADVERTENCIA

Para evitar lesiones debidas a un arranque accidental, antes de hacer ajustes a las correas, SIEMPRE cerciorarse que el interruptor esté en la posición "OFF" (Apagado), que la llave del interruptor haya sido retirada y que el enchufe no esté conectado al tomacorriente.

TENSIÓN DE LA CORREA (FIG. S)

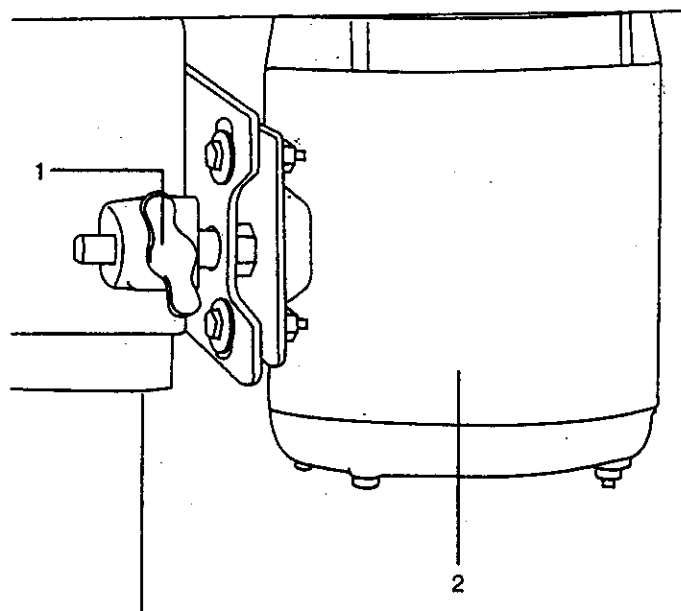
Asegurarse de que las poleas estén debidamente alineadas, como se ilustra en la figura O de la página 13.

1. Para destrabar la tensión de la correa, aflojar las perillas de seguridad (1) de ambos lados del cabezal de la prensa taladradora.
2. Desplazar el motor hacia la parte delantera de la prensa taladradora para aflojar la correa.
3. Colocar la correa en las poleas adecuadas para la velocidad deseada.
4. Desplazar el motor alejándolo del cabezal de la prensa taladradora hasta que la tensión de la correa sea la correcta.

NOTA: La tensión de la correa es la correcta si está flexiona 1/2" cuando se presiona en su parte media.

5. Ajustar las perillas de seguridad (1) de ambos lados del cabezal de la prensa taladradora.

Fig. S



OPERACIÓN

OPERACIONES BÁSICAS DE LA PRENSA TALADRADORA

VELOCIDADES Y POSICIÓN DE LAS CORREAS (FIG. T)

Esta prensa taladradora tiene 5 velocidades como se indica continuación:

540 RPM 880 RPM 1600 RPM
2610 RPM 3600 RPM

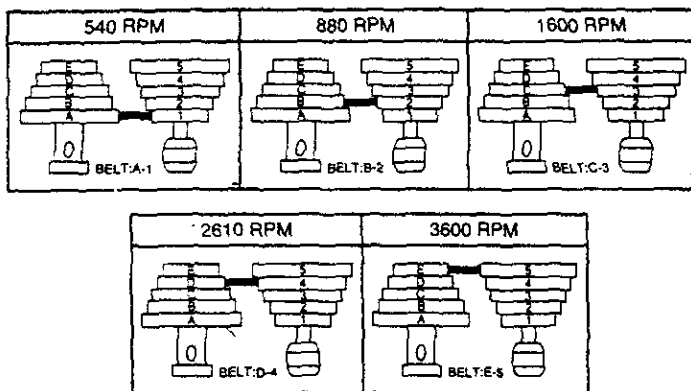
Referirse a la tabla en la parte interior de la cubierta de la correa para obtener la posición específica de las correas en las poleas para cada velocidad.

⚠ ADVERTENCIA

Para evitar posibles lesiones, mantener la cubierta cerrada, en su lugar y en buenas condiciones mientras la herramienta esté operando.

Fig. T

Belt / Pulley Position-RPM Chart



PANEL DEL INTERRUPTOR ON/OFF (Prender/Apagar) (FIG. U)

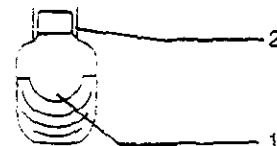
El interruptor de "PRENDER/APAGAR" (ON/OFF) tiene una llave retirable de plástico amarillo. Con la llave retirada del interruptor, se minimiza la posibilidad del uso no autorizado y peligroso por parte de niños y otras personas.

1. Para prender la Prensa Taladradora, presionar "ON" (Prender), insertar la llave (1) en la ranura del interruptor (2) y mover el interruptor hacia arriba a la posición de "ON" (Prender).
2. Para apagar la Prensa Taladradora, mover el interruptor hacia abajo.
3. Para enganchar el interruptor en la posición "OFF" (Apagado), tomar el extremo o parte amarilla del interruptor y halarlo hasta que salga.
4. El interruptor no operará sin la llave.
5. Si se retira la llave del interruptor cuando la Prensa Taladradora está operando, ésta podrá apagarse pero luego no podrá volverse a prender si no se inserta la llave.

⚠ ADVERTENCIA

SIEMPRE ponerle seguro al interruptor en la posición "OFF" (Apagado) cuando la Prensa Taladradora no esté en uso. Retirar la llave y mantenerla en un lugar seguro. En caso de una falla de suministro eléctrico, fusible volado o interruptor de circuito abierto, mover el interruptor a la posición de "OFF" (Apagado) y retirar la llave, evitando así un arranque accidental cuando se restablezca el suministro eléctrico.

Fig. U



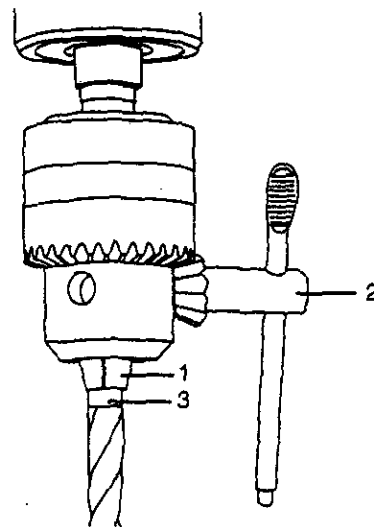
INSTALACIÓN DE LA BROCA EN EL MANDRIL (FIG. V)

1. Con el interruptor en la posición "OFF" (Apagado) y con la llave amarilla del interruptor retirada, abrir las mandíbulas (1) usando la llave (2) del mandril. Girar la llave del mandril con el sentido del reloj para abrir las mandíbulas (1).
2. Insertar la broca (3) en la mandíbula lo suficiente como para obtener el máximo de agarre por las mandíbulas; pero no tanto como para que las mandíbulas toquen las (ranuras) de la broca cuando se ajusten las mandíbulas.
3. Asegurarse que la broca esté centrada en el mandril.
4. Girar la llave del mandril en el sentido del reloj para ajustar las mandíbulas.

⚠ ADVERTENCIA

Para evitar lesiones o accidentes causados por la llave del mandril saliendo disparada con fuerza cuando se active la Prensa Taladradora, sólo usar la llave de mandril autoeyectante provista con esta Prensa Taladradora. SIEMPRE verificar y retirar la llave del mandril antes de activar la Prensa Taladradora.

Fig. V



⚠ ADVERTENCIA

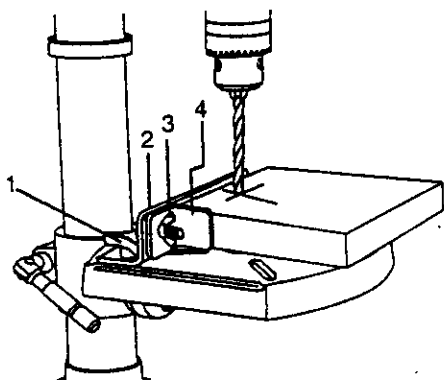
Para evitar que la pieza de trabajo o la material de apoyo se suelten de las manos, se **DEBEN** posicionar contra el lado **IZQUIERDO** de la columna. Si la pieza de trabajo o la madera de respaldo son lo suficientemente largas como para alcanzar la columna, prensarlas a la mesa o usar la guía provista con la Prensa Taladradora para sujetar el material. No Sujetar la pieza de trabajo puede causar lesiones.

USO DE LA GUÍA (FIG. W)

La guía provee un método de preparar la pieza de trabajo con rapidez para taladrar con precisión en forma repetitiva.

1. Usando un centro punzón o clavo puntiagudo punzar la pieza de trabajo en el lugar donde se desea hacer el orificio.
2. Bajar la broca para alinearla con la punzadura en la pieza de trabajo. Ver "PARA MANTENER LA BROCA EN LA POSICIÓN DE LA PERFORACIÓN" página 19.
3. Aflojar las manijas (1) y deslizar el Tope Posterior de la Guía (2) con firmeza contra el lado izquierdo de la pieza de trabajo. Ajustar las manijas cuando la guía esté en posición.
4. Aflojar la tuerca mariposa (3) y deslizar el Tope del Extremo de la Guía (4) a lo largo de la Guía hasta que quede firme contra el lado izquierdo de la pieza de trabajo. Ajustar la tuerca mariposa.
5. Verificar la precisión taladrando cualquier pieza de desecho. Regular si fuese necesario.
6. Para evitar que la pieza de trabajo se levante de la mesa al elevar la broca, sostenerla de la parte superior con la mano o con sujetadores.

Fig. W



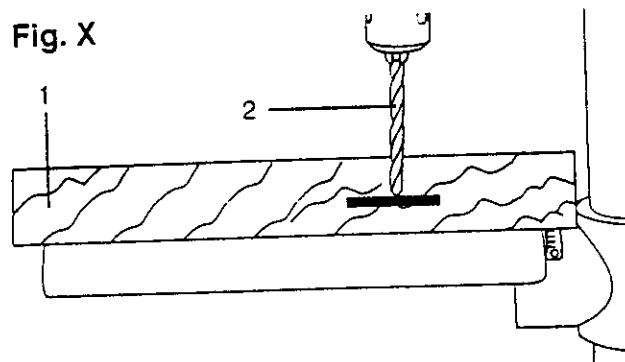
TALADRADO A UNA PROFUNDIDAD ESPECÍFICA

Cuando se desea taladrar un orificio ciego hasta una profundidad ad específica sin atravesar la pieza completamente, se pueden hacer dos cosas:

Método: Usando la Pieza de Trabajo (FIG. X and Y)

1. Marcar la profundidad (1) del orificio al costado de la pieza.
2. Con el interruptor en "OFF" (Apagado), bajar la broca hasta que la punta esté al mismo nivel que la marca.
3. Mantener la manija de avance (2) en esta posición.
4. Girar la tuerca inferior (3) bajándola hasta que haga contacto con el tope de profundidad (4) en el cabezal.
5. Girar la tuerca superior (5) bajándola hasta ajustarla contra la tuerca inferior (3).
6. Ahora la broca parará después de bajar la distancia marcada en la pieza de trabajo.

Fig. X



Método: Usando la Escala de Profundidad (FIG. Y)

NOTA: Con el mecanismo de avance del mandril libre y la punta de la broca apenas tocando la superficie de la pieza de trabajo, proceder de la siguiente manera:

1. Con el interruptor en "OFF" (Apagado), girar la manija de avance (2) hasta que el tope de profundidad (4) indique la profundidad deseada en la escala de profundidad (6) y mantener la manija de avance en esa posición.
2. Girar la tuerca inferior (3) bajándola hasta que haga contacto con el tope de profundidad (4).
3. Girar la tuerca superior (5) bajándola hasta ajustarla contra la tuerca inferior (3) y ajustarla.
4. La broca parará después de bajar la distancia seleccionada en la escala de profundidad.

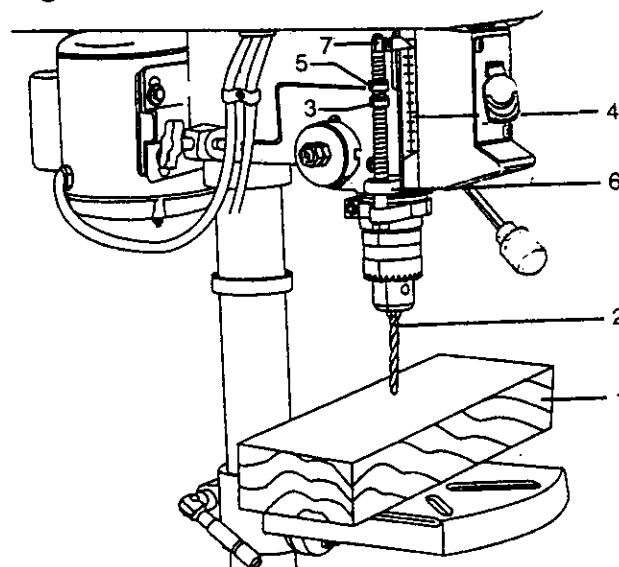
Perforación de un orificio

Con un punzón o clavo afilado hacer una marca en la pieza, en el lugar donde se desea hacer la perforación. Antes de encender la perforadora, descender la broca hasta la pieza, alineándola con la ubicación del orificio. Encender la perforadora y mover las manijas de avance para descenderla, con fuerza suficiente para que la broca perforé.

EL DESCENSO DEMASIADO LENTO podría ocasionar que la broca gire.

EL DESCENSO DEMASIADO RÁPIDO podría detener el motor, ocasionar que la correa o la broca patinen, rajar la pieza o quebrar la broca. Cuando se perfora metal, es necesario lubricar la punta de la broca con aceite para evitar que se recaliente.

Fig. Y

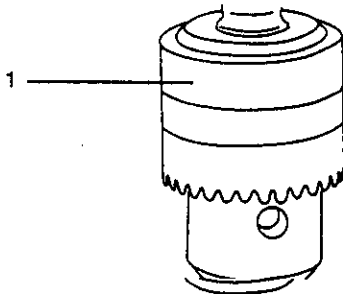


QUITAR EL PORTABROCAS (FIG. Z)

1. Con el interruptor en "OFF" (Apagado), abrir las mandíbulas del mandril girando la manga del mandril contra el sentido del reloj.
2. Golpear levemente mandril (1) con un martillo con cabeza de plástico, hasta que el mandril y elevación.

NOTA : Colocar una mano debajo del mandril para agarrarlo Cuando caiga.

Fig. Z



⚠ ADVERTENCIA

Por su propia seguridad colocar el interruptor en la posición "OFF" (Apagado) y desconectar el enchufe del tomacorriente antes de desmontaje del mandril y instalación mandril.

INSTRUCCIONES BÁSICAS PARA LA OPERACIÓN

Seguir estas instrucciones para operar la Prensa Taladradora y lograr los mejores resultados y minimizar la posibilidad de lesiones.

⚠ ADVERTENCIA

Por su propia seguridad, siempre obedecer las INSTRUCCIONES de seguridad que se indican aquí y en las páginas 3, 4 y 5 del manual de instrucciones.

PROTECCIÓN DEL OPERADOR

⚠ ADVERTENCIA

No usar ropa suelta, guantes, collares ni joyas para evitar ser atrapado por la herramienta. Siempre atar el pelo largo hacia atrás.

- 1) Si alguna pieza de la Prensa Taladradora estuviese faltando, rota o dañada, o no opera debidamente; dejar de operarla de inmediato hasta que esa pieza haya sido reparada apropiadamente o reparada.
- 2) Nunca colocar los dedos en una posición tal que puedan entrar en contacto con la broca o con cualquier otra pieza cortante. La pieza de trabajo podría moverse o la mano podría resbalarse inesperadamente.
- 3) Seguir las instrucciones al pie de la letra al regular la tensión del resorte de la mortaja para evitar lesiones causadas por piezas propulsadas por el resorte.
- 4) Para evitar que la herramienta arranque la pieza de trabajo de las manos, que salga despedida o la herramienta la haga girar o se rompa, siempre sujetar la pieza de trabajo adecuadamente como sigue:
 - a) Siempre colocar MATERIAL DE APOYO (usado bajo la pieza de trabajo) de tal manera que se apoye en el lado izquierdo de la columna, o usar la guía provista y un sujetador para sostener las piezas pequeñas.

- b) Siempre que sea posible, colocar LA PIEZA DE TRABAJO de tal manera que haga contacto con la parte izquierda de la columna. Si fuese muy corta o si la mesa estuviese inclinada, usar la guía provista o sujetarla en forma segura a la mesa, usando las ranuras.
 - c) Cuando se use una prensa sujetadora para taladro, siempre asegurarla a la mesa.
 - d) Nunca trabajar sosteniendo la pieza que se taladra sólo con la mano y sin sujetarla a la mesa, excepto al pulir.
 - e) Fijar el cabezal en forma segura y el soporte a la columna, el brazo de la mesa al soporte y la mesa al brazo de la mesa antes de operar la Prensa Taladradora.
 - f) Nunca mover el cabezal ni la mesa mientras la herramienta esté en operación.
 - g) Antes de iniciar la operación, operar el motor en forma lenta para asegurarse que ni la broca ni las demás herramientas cortantes se bamboleen o vibren.
 - h) Si una pieza de trabajo sobresale de la mesa de tal manera que caiga o se incline si no se sostiene, sujetarla a la mesa o proveer un soporte auxiliar.
 - i) Para sostener la pieza de trabajo en forma adecuada en la operación específica y material a taladrar. Referirse al panel en la parte interior de la cubierta de las poleas o a la tabla que se indica a continuación para obtener información sobre las velocidades de perforación. Para obtener información sobre los accesorios, referirse a las instrucciones provistas con cada accesorio.
 - j) Usar la VELOCIDAD DE EJE recomendada para la operación específica y material a taladrar. Referirse al panel en la parte interior de la cubierta de las poleas o a la tabla que se indica a continuación para obtener información sobre las velocidades de perforación. Para obtener información sobre los accesorios, referirse a las instrucciones provistas con cada accesorio.
- 5) Nunca subirse a la mesa de la Prensa Taladradora, podría romperse o hacer que la herramienta caiga sobre uno mismo.
 - 6) Colocar el interruptor del motor en "OFF" (Apagado) y guardar la llave del interruptor cuando se deje la Prensa Taladradora.
 - 7) Para evitar lesiones debido a piezas arrojadas o contacto con la herramienta, no realizar labores de trazado, ensamblaje ni preparación sobre la mesa cuando la herramienta esté en operación.

DRILLING SPEED TABLE (rpm)			
Drill Bit Diam. (Inches)	Material		
	Wood	Alum., Zinc, Brass	Iron, Steel
1/16	3600	3600	3600
1/8			2610
3/16			1600
1/4		2610	880
5/16			
3/8	1600	540	
1/2	2610		

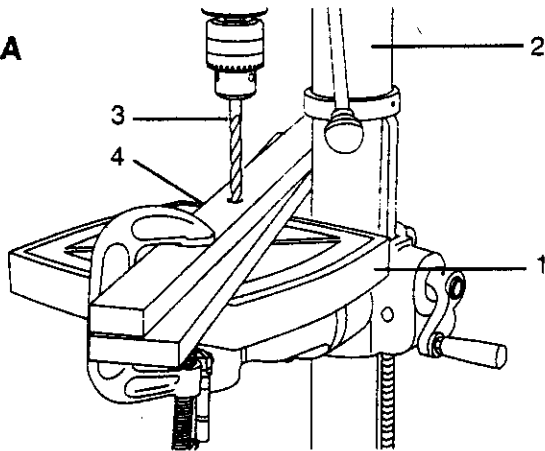
POSICIONAMIENTO DE LA MESA Y PIEZA DE TRABAJO (FIGURE AA and BB)

1. Asegurar la mesa (1) a la columna (2) en una posición tal que la punta de la broca (3) quede justo sobre la pieza de trabajo (4).
2. SIEMPRE colocar un MATERIAL DE APOYO (madera de desecho) entre la mesa y la pieza de trabajo. Esto evitará que la pieza de trabajo se raje o se astille en el lado de abajo. Para evitar que el material de apoyo gire descontroladamente, DEBE quedar apoyado contra el lado IZQUIERDO de la columna.

⚠ ADVERTENCIA

Para evitar que la pieza de trabajo o el material de apoyo sean arrancados de las manos del operador al taladrar, se DEBE apoyar contra el lado IZQUIERDO de la columna. Si la pieza de trabajo o el material de apoyo no son suficientemente largos para alcanzar la columna, usar la guía provista con la Prensa Taladradora para sujetar la pieza de trabajo, o fijarla a la mesa con sujetadores. Omitir esto puede causar lesiones personales.

Fig. AA



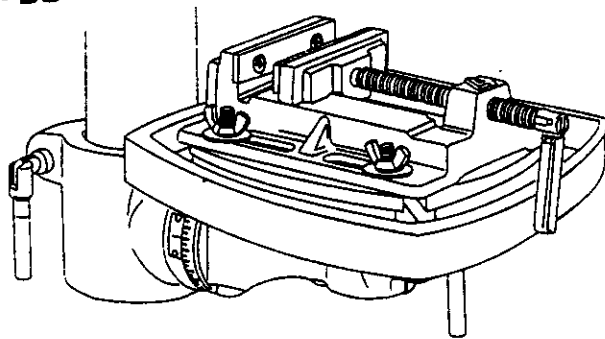
3. Para piezas pequeñas que no se puedan fijar a la mesa con sujetadores, usar una prensa para taladro (accesorio opcional).

⚠ ADVERTENCIA

La prensa para taladro DEBE sujetarse o empernarse a la mesa para evitar que la pieza de trabajo gire y cause lesiones al operador o daños a la prensa o a la broca.

Retirar la guía cuando interfiera con los otros accesorios de la Prensa Taladradora.

Fig. BB



PARA MANTENER LA BROCA EN LA POSICIÓN DE LA PERFORACIÓN

1. Usando un centro punzón o clavo puntiagudo, punzar la pieza de trabajo en el lugar donde se desea hacer el orificio.
2. Antes de hacer funcionar el taladro, usar las manijas de avance para hacer que el taladro baje hasta que se alinee con la punzadura.

INCLINACIÓN DE LA MESA (FIGURE CC)

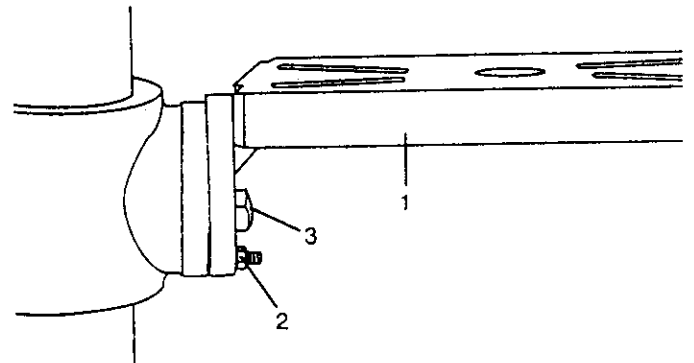
NOTA: El brazo y el soporte (1) de la mesa tienen un orificio ya perforado que trae un tornillo para fijar la mesa horizontalmente en la posición de 0°.

1. Para usar la mesa en posición inclinada, soltar el soporte de la mesa girando el perno de fijación (2) con una llave hexagonal contra el sentido del reloj (3).
2. Aflojar el perno hexagonal grande que sujeta la mesa en el ángulo de inclinación.

⚠ ADVERTENCIA

Para evitar lesiones, cerciorarse de sujetar el conjunto del brazo y la mesa de modo tal que no gire ni se incline.

Fig. CC



3. Para regresar la mesa a su posición original, aflojar el perno de fijación de la inclinación (3).
4. Volver a colocar la tuerca (2) en el pasador de fijación, en el EXTREMO EXTERIOR DE LA ROSCA. Golpear suavemente el pasador de fijación hasta que quede asentado en el orificio. Ajustar la tuerca con los dedos.

⚠ ADVERTENCIA

Para evitar que la pieza de trabajo gire y cause lesiones o rompa la broca, siempre fijar la pieza de trabajo y el material de apoyo a la mesa con sujetadores antes de hacer funcionar la Prensa Taladradora con la mesa inclinada.

AVANCE

1. Bajar las manijas de avance sólo con la fuerza suficiente para permitir que la broca perfora.
2. Avanzar en forma demasiado lenta puede quemar la broca. Avanzar en forma demasiado rápida, puede hacer que el motor se detenga haciendo que las correas o la broca resbalen o que la pieza de trabajo se suelte y rompa la broca.
3. Cuando se perfora en metal, puede ser necesario lubricar la punta de la broca con aceite para motor para evitar que se queme.

MANTENIMIENTO DE LA PRENSA TALADRADORA

⚠ ADVERTENCIA

Por su propia seguridad colocar el interruptor en la posición "OFF" (Apagado) y desconectar el enchufe del tomacorriente antes de darle mantenimiento o lubricar la Prensa Taladradora.

Eliminar con frecuencia el polvo que se acumula dentro del motor soplándole aire con un compresor o aspirándolo.

La aplicación de una capa de cera automotriz en pasta a la mesa y a la columna ayudará a mantener las superficies limpias.

⚠ ADVERTENCIA

Para evitar los riesgos de choque eléctrico o incendio, si el cordón eléctrico estuviese gastado o cortado, repararlo o cambiarlo de inmediato.

LUBRICACIÓN

Todos los cojinetes de bolas de la Prensa Taladradora vienen rellenos de grasa desde la fábrica. No requieren lubricación adicional.

Lubricar periódicamente los engranajes y la cremallera, el mecanismo de elevación de la mesa, el eje del taladro y las mandíbulas de su mortaja.

DIAGNÓSTICO DE PROBLEMAS

GUÍA PARA DIAGNÓSTICO DE PROBLEMAS

▲ ADVERTENCIA

Para evitar lesiones ocasionadas por un arranque accidental, mover el interruptor a la posición de "OFF" (Apagado) y desconectar el cordón de suministro del toma corriente antes de hacer cualquier regulación.

Consultar al Centro de Servicio Sears local si el motor no arrancase por cualquier motivo.

PROBLEMA	CAUSA PROBABLE	SOLUCIÓN
Operación ruidosa.	<ol style="list-style-type: none"> 1. Tensión incorrecta de la correa. 2. Eje seco. 3. Polea del eje floja. 4. Polea del motor suelta. 	<ol style="list-style-type: none"> 1. Regular la tensión. Ver la sección "ENSAMBLAJE - TENSIÓN DE LA CORREA". 2. Lubricar el eje. Ver la sección "LUBRICACIÓN". 3. Asegurarse que la tuerca de retención de la polea esté ajustada y ajustarla si fuese necesario. 4. Ajustar el perno de fijación de la polea del motor.
La broca se quema.	<ol style="list-style-type: none"> 1. Velocidad incorrecta. 2. Las astillas no salen del orificio. 3. Broca sin filo. 4. La broca se está avanzando muy lentamente. 5. Falta lubricación. 	<ol style="list-style-type: none"> 1. Cambiar la velocidad. Ver la sección "OPERACIÓN BÁSICA DE LA PRENSA TALADRADORA - VELOCIDADES DEL EJE". 2. Elevar la broca con frecuencia para eliminar las astillas. 3. Afiar la broca. 4. Avanzar la broca más rápido - permitir que la broca perforo. 5. Lubricar el taladro. Ver la sección "OPERACIÓN BÁSICA DE LA PRENSA TALADRADORA".
Se gasta la punta de la broca, el orificio redondo.	<ol style="list-style-type: none"> 1. Hebra dura en la madera o los álabes de la broca y/o los ángulos no son iguales. 2. Broca doblada. 	<ol style="list-style-type: none"> 1. Volver a afilar la broca en forma correcta. 2. Broca doblada.
La madera se astilla por abajo	<ol style="list-style-type: none"> 1. No hay madera de apoyo bajo la pieza. 	<ol style="list-style-type: none"> 1. Usar material de apoyo. Ver la sección "OPERACIÓN BÁSICA DE LA PRENSA TALADRADORA".
La pieza se suelta de la mano.	<ol style="list-style-type: none"> 1. No está debidamente sujeta. 	<ol style="list-style-type: none"> 1. Fijar la pieza de trabajo con un sujetador. Ver la sección "OPERACIÓN BÁSICA DE LA PRENSA TALADRADORA".
La broca se atraca en la madera.	<ol style="list-style-type: none"> 1. La pieza está apretando la broca o la presión de alimentación es excesiva. 2. Tensión inapropiada de la correa. 	<ol style="list-style-type: none"> 1. Fijar la pieza a taladrar con un sujetador. Ver la sección "OPERACIÓN BÁSICA DE LA PRENSA TALADRADORA". 2. Regular la tensión. Ver la sección "ENSAMBLAJE - TENSIÓN DE LA CORREA".
La broca se gasta en forma excesiva o se bambolea.	<ol style="list-style-type: none"> 1. Broca doblada. 2. Cojinetes gastados. 3. La broca no está debidamente instalada en el mandril. 4. El mándril no está debidamente instalado. 	<ol style="list-style-type: none"> 1. Usar una broca que esté derecha. 2. Reemplazar los cojinetes. 3. Instalar la broca debidamente. Ver la sección "OPERACIÓN BÁSICA DE LA PRENSA TALADRADORA". 4. Instalar el mandril debidamente. Ver la sección "ENSAMBLAJE - INSTALACIÓN DEL MANDRIL".
La mortaja se regresa muy despacio o muy rápido.	<ol style="list-style-type: none"> 1. La tensión del resorte es inadecuada. 	<ol style="list-style-type: none"> 1. Regular la tensión. Ver la sección "ENSAMBLAJE - REGULACIÓN DEL RESORTE DE RETORNO DE LA MORTAJA".
El mandril no se mantiene unido al vástago. Se sale al tratar de instalarlo.	<ol style="list-style-type: none"> 1. Tierra, grasa o aceite en la superficie interior ahusada del mandril o en la superficie ahusada del eje. 	<ol style="list-style-type: none"> 1. Limpiar las superficies ahusadas del mandril y del eje con detergente doméstico para eliminar la tierra, grasa y aceite. Ver la sección "ENSAMBLAJE - INSTALACIÓN DEL MANDRIL".

PIEZAS

NOMENCLATURE DE LA PERCEUSE À COLONNE DE 12 PO

MODÈLE N° 137.219120

⚠ ADVERTENCIA

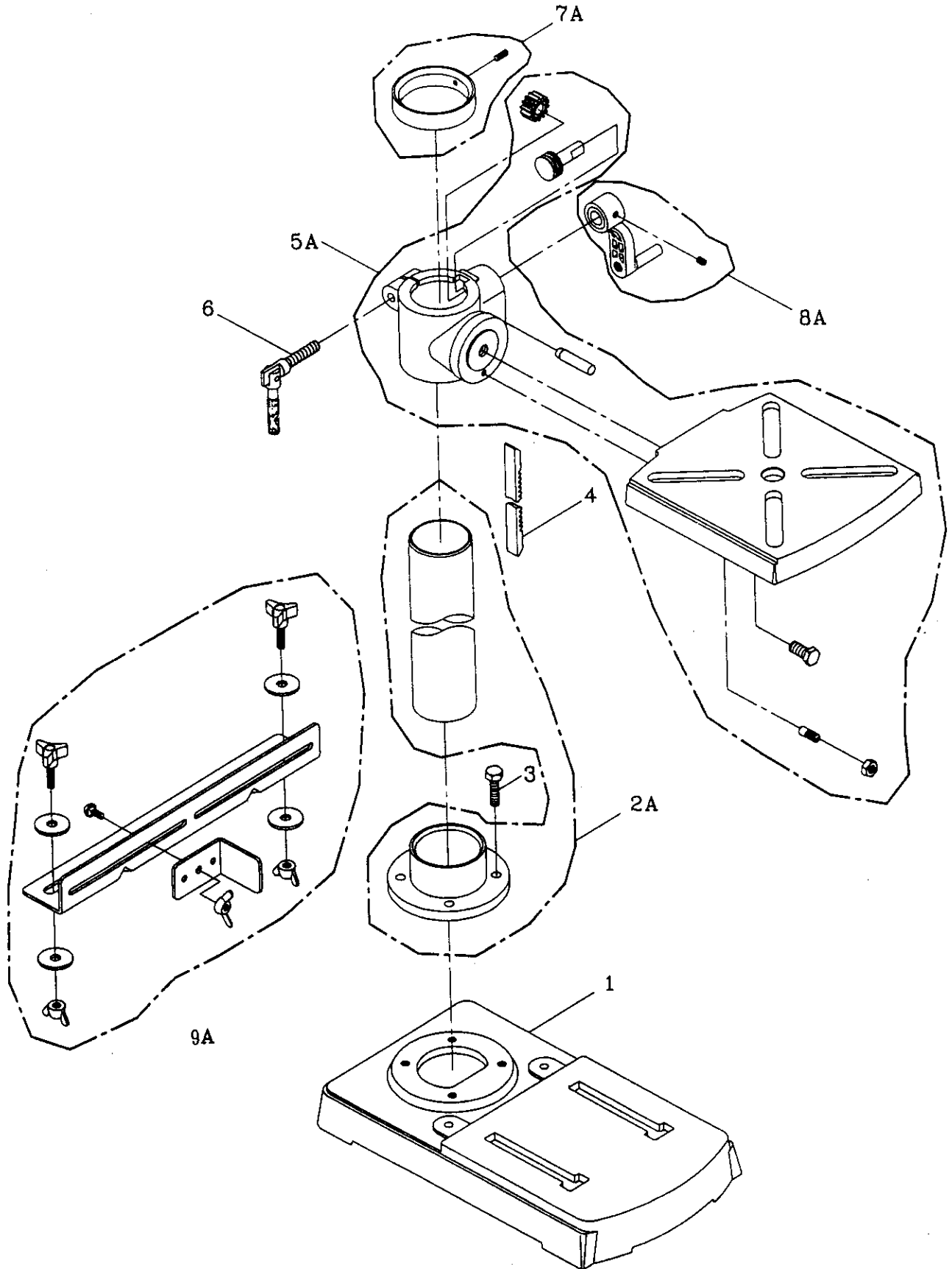
Al efectuar el mantenimiento utilice solamente piezas de reemplazo CRAFTSMAN. La utilización de cualquier otra pieza puede ocasionar PELIGRO o ser la causa de daños al producto. Cualquier intento de reparar o reemplazar partes eléctricas de esta Sierra de mesa puede ocasionar PELIGRO a menos que dicha reparación haya sido hecha por un técnico calificado de servicio. El servicio de reparaciones se encuentra disponible en el servicentro Sears más cercano.

Siempre que deba solicitar piezas pídaslas por su NÚMERO DE PIEZA, y no por su número clave.

LISTA DE PIEZAS PARA EL DIAGRAMA A

No.Diag.	No. Parte	Descripción	Tamaño	Cantidad
1	10300105	Base		1
2A	10300202A2	Soporte de Columna		1
3	2601BBDA90	Perno Prisionero Hexagonal	M8x1.25-25	4
4	13902202	Cremallera		1
5A	10300603A11	Soporte de la mesa		1
6	10602003	Manija del seguro de la Mesa		1
7A	10302301A1	Anillo de la Cremallera		1
8A	10601009A3	Conjunto de la Manivela		1
9A	10838202A1	Soporte Paralelo		1

DIAGRAMA A



PIEZAS

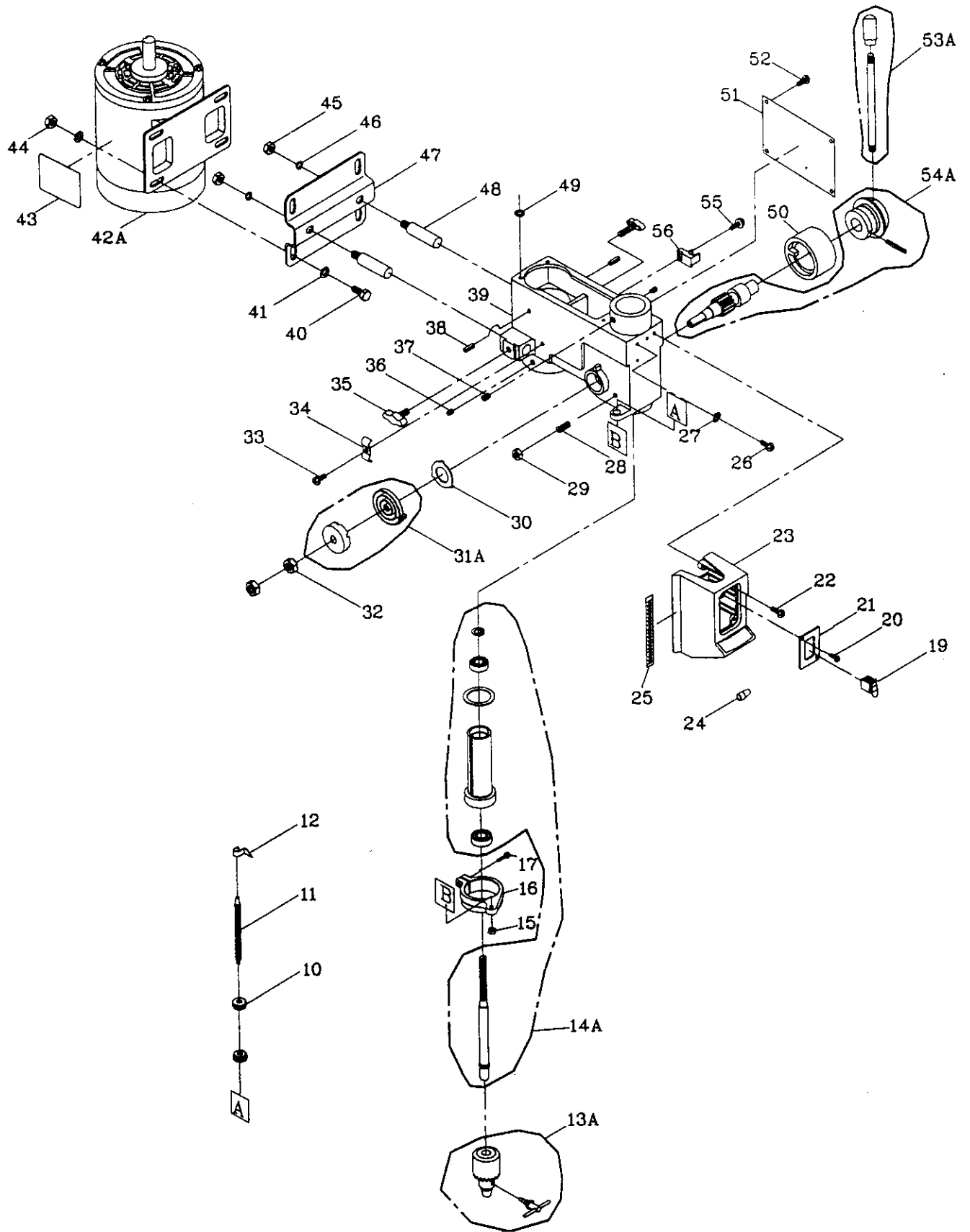
NOMENCLATURE DE LA PERCEUSE À COLONNE DE 12 PO

MODÈLE N° 137.219120

LISTA DE PIEZAS PARA EL DIAGRAMA B

No.Diag.	No. Parte	Descripción	Tamaño	Cantidad
10	10518401	Tuerca	M10x1.5	2
11	10301004	Perno de Fijación		1
12	10201201	Indicador		1
13A	2135CNO132	Mandrill		1
14A	10305602A1	Mortaja		1
15	2701FBD106	Tuerca Hexagonal	M6X1.0	1
16	10361701	Anillo de Sujeión		1
17	2602BBLA27	Perno prisionero Hexagonal	M5 x 0.8-16	1
18	N/A			
19	2898D08G24	Interruptor Oscilante		1
20	2661MBDE11	Perno	M4x16-12	2
21	10312704	Tapa de Interruptor		1
22	2668BBDA24	Perno	M5x0.8-12	3
23	10308805	Caja del Interruptor		1
24	2805U5HN16	Terminal		1
25	10384902	Escala		1
26	2668BZDA23	Perno	M5x0.8-8	2
27	2504MZC005	Arandela de Fijación Dentada		2
28	10305401	Perno de Fijación la Mortaja	M8x1.25-18	1
29	2701FBD113	Tuerca Hexagonal	M8x1.25	1
30	10305206	Retén del Resorte		1
31A	10305001A2	Tapa del Resorte		1
32	2701QZD611	Tuerca Hexagonal	1/2x20UNF	2
33	2668BBDA24	Perno	M8 x 0.8-12	1
34	10808301	Sujetador del Cordón		1
35	10604204	Perno del Cambiador		2
36	2603BBLA52	Perno prisionero Hexagonal	M8x1.25-8	2
37	2603BBLA52	Perno prisionero Hexagonal	M8x1.25-8	1
38	2536MBE623	Clavija del Resorte		2
39	13902503	Cabezal		1
40	2601BBDA09	Perno de Cabeza Hexagonal		4
41	2501NBDN27	Arandela Plana	5/16x7/8-5/64	8
42A	8220A21104	Motor		1
43	13916403	Etiqueta		1
44	2701FBD113	Tuerca Hexagonal	M8x1.25	4
45	2701FBD110	Tuerca Hexagonal	M10x1.5	1
46	2502ABC410	Pasador de Fijación		2
47	10303401	Base del Motor		1
48	10303202	Varilla del Motor		1
49	2501NNVN11	Arandela Plana	1/4x3/4-3/16	4
50	10304502	Anillo		1
51	10316208	Etiqueta		1
52	2658MZDU36	Perno	2.3-5	4
53A	10304402A1	Vástago de la Manuja		1
54A	10303825A1	Eje del Mecanismo de Avance		1
55	2641BBDA39	Perno con arandela redonda en la cabeza	M6*1.0-12	1
56	10611201	Sujetador de la Llave del Mandril		1

DIAGRAMA B



PIEZAS

NOMENCLATURE DE LA PERCEUSE À COLONNE DE 12 PO

MODÈLE N° 137.219120

LISTA DE PIEZAS PARA EL DIAGRAMA C

No.Diag.	No. Parte	Descripción	Tamaño	Cantidad
57	2138MBL704	Llave Hexagonal	4-64	1
58	2138MBL703	Llave Hexagonal	3-57	1
59	2807BY06H2	Cordón Eléctrico		1
60	13916905	Etiqueta		1
61	2801ABRF04	Alivio de Tensión		2
62	2572ARK340	Correa-V		1
63	10306901	Tuerca de Fijación de la Polea		1
64	10307005	Polea del Eje		1
65A	10306512A1	Manga del Propulsor		1
66	13916602	Etiqueta		1
67	2641BBDA39	Perno	M6X1.0-12	4
68	10208302	Sujetador del Cordón		4
69	2668BBDA23	Perno		4
70A	10307908A2	Polea Central		1
71	2571MNC307	Clavija		1
72A	10409011A3	Tapa de las Poleas		1

Get it fixed, at your home or ours!

For repair of major brand appliances in **your own home...**
no matter who made it, no matter who sold it!

1-800-4-MY-HOMESM Anytime, day or night
(1-800-469-4663)

www.sears.com

To bring in products such as vacuums, lawn equipment and electronics
for repair, call for the location of your nearest **Sears Parts & Repair Center.**

1-800-488-1222 Anytime, day or night

www.sears.com

For the replacement parts, accessories and owner's manuals
that you need to do-it-yourself, call **Sears PartsDirectSM!**

1-800-366-PART 6 a.m. – 11 p.m. CST,
(1-800-366-7278) 7 days a week

www.sears.com/partsdirect

To purchase or inquire about a Sears Service Agreement:

1-800-827-6655

7 a.m. – 5 p.m. CST, Mon. – Sat.

Para pedir servicio de reparación a domicilio,
y para ordenar piezas con entrega a domicilio:

1-888-SU-HOGARSM
(1-888-784-6427)

Au Canada pour service en français:

1-877-LE-FOYERSM
(1-877-533-6937)

© Sears, Roebuck and Co.



® Registered Trademark/™ Trademark of Sears, Roebuck and Co.
® Marca Registrada/™ Marca de Fábrica de Sears, Roebuck and Co.

FULL ONE YEAR WARRANTY

If this product fails due to a defect in material or workmanship within one year from the date of purchase, Sears will repair it free of charge.

Contact a Sears Service Center for repair.

If this product is used for commercial or rental purposes, this warranty applies only for 90 days from the date of purchase.

This warranty gives you specific legal rights, and you may also have other rights which vary from state to state.

Sears, Roebuck and Co., Dept. 817 WA, Hoffman Estates, IL 60179

GARANTÍA TOTAL DE 1 AÑO

Si esta herramienta presentase defectos de material o fabricación dentro del primer año a partir de la fecha de compra, Sears la reparará sin costo alguno.

Contactarse con un Centro de Servicio de Sears para la reparación.

Si esta herramienta se usa para fines comerciales o para alquiler, esta garantía se aplica sólo por los primeros 90 a partir de la fecha de compra.

Esta garantía le otorga derechos legales específicos y también podría usted tener otros derechos que varían de un estado a otro.

Sears, Roebuck and Co., Dept. 817 WA, Hoffman Estates, IL 60179