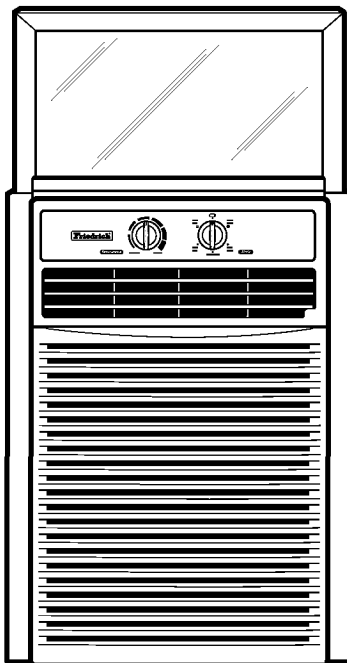


Friedrich®

Room Air Conditioner Installation and Operation Manual

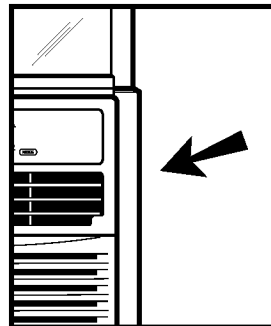


Slider Casement

115Volts • SV08A10 • SV10A10 • SV12A10

Registering Your Room Air Conditioner

Model information can be found on the name plate located on the side of the unit near the control panel. Please complete and mail the owner registration card furnished with this product or register on-line at www.friedrich.com (USA only). For your future convenience, record the model information here.



MODEL NUMBER

SERIAL NUMBER

PURCHASE DATE

Congratulations!

You have purchased a Friedrich Slider Casement room air conditioner. The Friedrich Slider Casement is designed to give maximum comfort and quietness.

Table of Contents

Safety Precautions.....2

How to Operate Your Slider Casement Room Air Conditioner5

Installation Instructions.....8

Trouble Shooting Tips14







Caution

- Contact the authorized service technician for repair or maintenance of this unit.
- Contact the installer for installation of this unit.
- The air conditioner is not intended for use by young children or invalids without supervision.
- Young children should be supervised to ensure that they do not play with the air conditioner.


Safety Precautions















To prevent injury and property damage, follow these instructions. Incorrect operation due to ignoring instructions will cause harm or damage, the seriousness of which is indicated by the following symbols.

	WARNING This symbol shows the possibility of death or serious injury.
	CAUTION This symbol indicates the possibility of injury or damage to property.

	Never Do This
	Always Do This

■ The following items are classified by these symbols.

 **WARNING**

 Use in the power plug properly.	 Do not operate or stop the unit by inserting or pulling out the power plug.	 Do not use a damaged or unspecified power cord.
<ul style="list-style-type: none"> • Otherwise, it may cause electric shock or fire due to heat generation. 	<ul style="list-style-type: none"> • Doing so may cause electric shock or fire due to heat generation. 	<ul style="list-style-type: none"> • Doing so may cause electric shock or fire. • If the supply cord is damaged, it must be replaced by the manufacturer service agent or a similarly qualified person in order to avoid a hazard. (Y attachment)
 Do not modify power cord length or share the outlet with other appliances.	 Do not operate with wet hands or in damp environment.	 Always plug into a grounded outlet.
<ul style="list-style-type: none"> • Doing so may cause electric shock or fire due to heat generation. 	<ul style="list-style-type: none"> • Doing so may cause electric shock. 	<ul style="list-style-type: none"> • No grounding may cause electric shock (See Installation Manual).
 Do not allow water to run into electric parts.	 Always install air leakage breaker and a dedicated switching board.	 Unplug the unit if strange sounds, odors or smoke come from it.
<ul style="list-style-type: none"> • Doing so may cause failure of machine or electric shock. 	<ul style="list-style-type: none"> • No installation may cause fire and electric shock accident. 	<ul style="list-style-type: none"> • It may cause fire and electric shock accident.
 Do not use the socket if it is loose or damaged.	 Do not open the entrance during operation.	 Keep firearms away.
<ul style="list-style-type: none"> • Doing so may cause fire or electric shock. 	<ul style="list-style-type: none"> • Doing so poses the risk of electric shock. 	<ul style="list-style-type: none"> • Using firearms in proximity to this unit poses a fire risk.
 Do not use the power cord close to the heating tools.	 Do not use the power cord near flammable gas or combustibles such as gasoline, benzene, thinner, etc.	
<ul style="list-style-type: none"> • Doing so may cause fire and electric shock. 	<ul style="list-style-type: none"> • Doing so may cause an explosion or fire. 	

Safety Precautions

⚠ WARNING

ⓘ In area where flammable gases may be used, always ventilate the area before using the Air Conditioner.

ⓘ Do not disassemble or modify products randomly.

• Doing so poses the risk of failure or electrical shock.

⚠ CAUTION

ⓘ Never touch the metal parts of the unit when removing the filter.

• They are sharp and may cause injury.

ⓘ Do not clean the air conditioner with water.

• Water may enter the unit and degrade the insulation. It may cause an electric shock.

ⓘ Ventilate well when using in proximity to a stove, etc.

• Failure to provide adequate ventilation may reduce available oxygen.

ⓘ When cleaning the unit, first make sure the power and breaker are turned off.

• Since the fan rotates at high speed during operation, it can cause injury.

ⓘ Do not put a pet or house plant where it will be exposed to direct air flow.

• This could injure the pet or plant.

ⓘ This product is not designed for critically controlled atmosphere applications. Do not use this product for such applications.

• Doing so may cause loss of property.

ⓘ Stop operation in storm or hurricanes.

• Operation with windows opened may cause wetting of indoor and soaking of household furniture.

ⓘ Hold the plug by the head when removing it from the socket.

• Failure to do so can cause electric shock and damage.

ⓘ Turn off the main power switch when not using product for extended period.

• It may cause failure of product or fire.

ⓘ Do not place obstacles around the inlet or outlet.

• It may cause failure of appliance or accident.

ⓘ Always insert the filter securely. Clean every weeks.

• Operation without filters will lead to failure.

ⓘ When cleaning use a soft cloth. Never use abrasives or strong chemical agents.

• Appearance may deteriorate due to change of product color or scratching of its surface.

ⓘ Do not place heavy object on the power cord.

ⓘ Do not drink water drained from air conditioner.

• It contains contaminants and can make you sick.

ⓘ If water enters the product, turn off the the power switch of the main body of appliance. Contact service center after removing the power plug out from the socket.

ⓘ Do not point airflow at room occupants.

• Doing so could increase the risk of certain health problems.

Safety Precautions

Preparing for operation

- 1** Contact an installation specialist for installation.
- 2** Plug in the power plug properly.
- 3** Do not share the same outlet with other appliances.
- 4** Do not use an extension cord.
- 5** Do not start/stop operation by plugging/unplugging the power cord.
- 6** If cord/plug is damaged, have it replaced by an authorized service agent.

Usage

- 1** Being exposed to direct airflow for an extended period of time could be hazardous to your health. Do not expose occupants, pets, or plants to direct airflow for extended periods of time.
- 2** Due to the possibility of oxygen deficiency, ventilate the room when used together with stoves or other heating devices.
- 3** Do not use this air conditioner for non-specified special purposes (e.g. preserving precision devices, food, pets, plants, and art objects). Usage in such a manner could harm such property.

Cleaning and maintenance

- 1** Do not touch the metal parts of the unit when removing the filter. Injuries can occur when handling sharp metal edges.
- 2** Do not use water to clean inside the air conditioner. Exposure to water can destroy the insulation, possibly leading to electric shock.
- 3** When cleaning the unit, first make sure that the power and breaker are turned off. The fan rotates at a very high speed during operation. There is a possibility of injury if the unit's power is accidentally triggered on while cleaning inner parts of the unit.

Service

For repair and maintenance, contact your authorized service dealer.

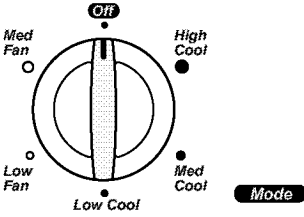
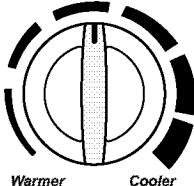
How to Operate Your Slider Casement Room Air Conditioner

Controls

• CAUTION

When the air conditioner has been performing its cooling operation and is turned off or set to the fan position, wait at least 3 minutes before resetting to the cooling operation again.

Function

 <p>The Mode Knob is a circular dial with a vertical slider. It has six settings: OFF at the top, High Cool at the top-right, Med Cool at the right, Low Cool at the bottom, Low Fan at the bottom-left, and Med Fan at the top-left.</p>	<p>OFF - Turns air conditioner off.</p> <p>MED FAN - Med speed fan operation without cooling.</p> <p>LOW FAN - Low speed fan operation without cooling.</p> <p>HI COOL - Cooling with high speed fan operation.</p> <p>MED COOL - Cooling with med speed fan operation.</p> <p>LOW COOL - Cooling with low speed fan operation.</p>
 <p>The Temperature Knob is a circular dial with a vertical slider. It has two settings: Warmer on the left and Cooler on the right.</p>	<p>This thermostat controls the temperature of the indoor air. Turn it clockwise for cooler and counter clockwise for a warmer temperature.</p>

• FOR NORMAL COOLING

1. Turn the MODE Knob to the LOW COOL or MED COOL.
2. Set the TEMP control to the desired temperature mark (The mid point is a good starting position.)
If the room temperature is not satisfactory after a reasonable time, adjust the control to a cooler or warmer setting, as appropriate.

• FOR QUIETER OPERATION

1. Turn the MODE Knob to the LOW COOL setting.
2. Set the TEMP control as needed.

• FOR MAXIMUM COOLING

1. Turn the MODE Knob to the HI COOL setting.
2. Set the TEMP control to the highest temperature mark (All the way to the right).

CAUTION:

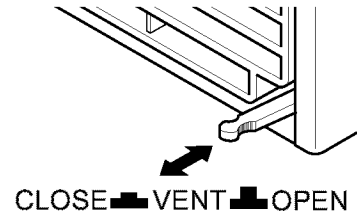
When the air conditioner has finished cooling the room and is turned off or set to the fan position, wait at least 3 minutes before resetting to the cooling operation again.

How to Operate Your Slider Casement Room Air Conditioner

Additional controls and important information.

Ventilation

The ventilation lever must be in the CLOSE position in order to maintain the best cooling conditions. When fresh air is necessary in the room, set the ventilation lever to the OPEN position. When the damper is opened and room air is exchanged with external air.



Air Direction

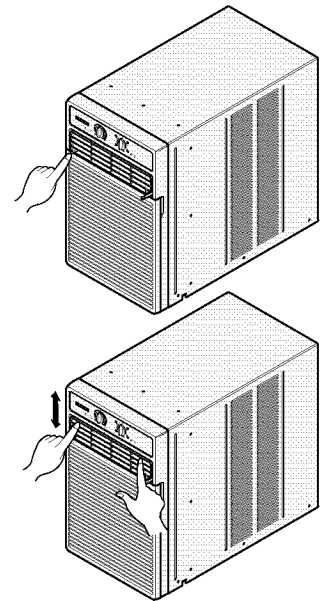
The direction of air can be controlled by adjusting the horizontal and vertical louvers.

• HORIZONTAL AIR-DIRECTION CONTROL

The horizontal air direction can be adjusted by moving the vertical louver right or left.

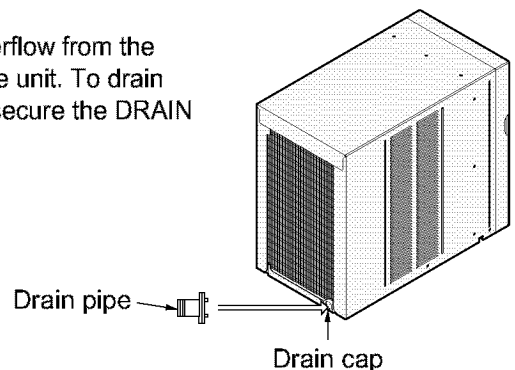
• VERTICAL AIR-DIRECTION CONTROL

The vertical air direction can be adjusted by pointing the horizontal louver up or down.



How to Secure the Drain Pipe

In humid weather, excess condensate may overflow from the BASE PAN and be splashed out the back of the unit. To drain the condensate, remove the DRAIN CAP and secure the DRAIN PIPE to the rear hole of the BASE PAN.



How to Operate Your Slider Casement Room Air Conditioner

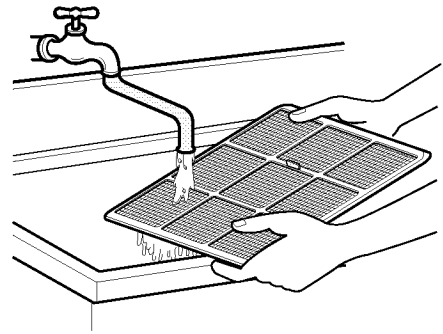
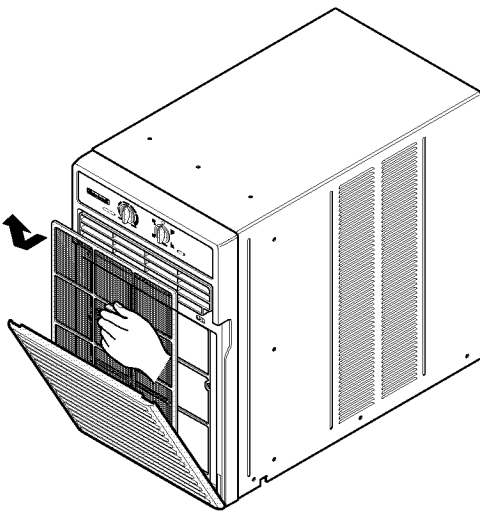
TURN THE AIR CONDITIONER OFF AND REMOVE THE PLUG FROM THE POWER OUTLET.

Air Filter Cleaning

The air filter behind the front grille should be checked and cleaned at least once every 2 weeks or more often if necessary.

To remove:

1. Open the inlet grille downward by pulling out the top of the inlet grille.
2. Remove the air filter from the front grille assembly by pulling the air filter up slightly.
3. Clean the filter with warm, soapy water.
4. Rinse and gently shake the water from the filter and let it dry completely before replacing it.

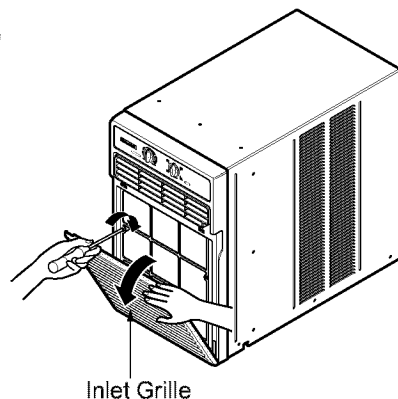


CAUTION: DO NOT operate the air conditioner without a filter because dirt and lint will clog it and reduce performance.

Note!

Before using the air conditioner secure the front grille with two screws enclosed with the owner's manual.

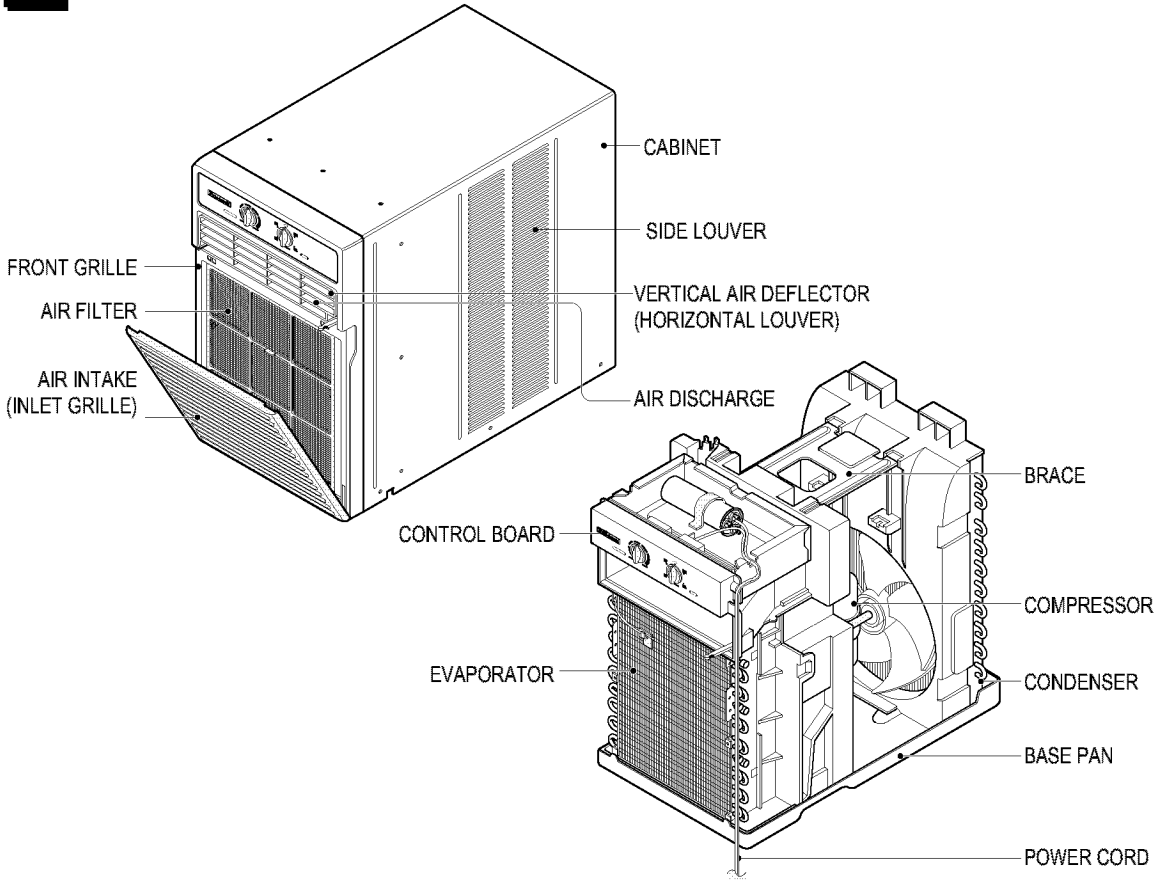
1. Open the inlet grille downward and remove the air filter.
2. Fasten the front grille with screws.
3. Reinstall the air filter.
4. Close the inlet grille.



Installation Instructions

Learning parts name prior to installation will help you understand the installation procedure.

Features

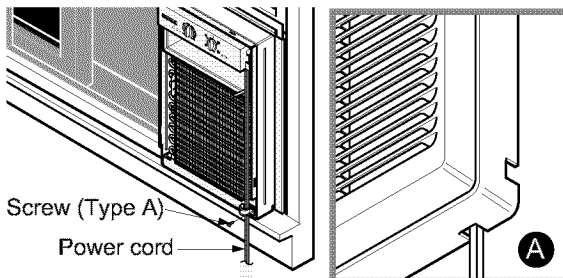


Installing the Power cord

You can choose between the two methods below according to your preference and window sill shape.

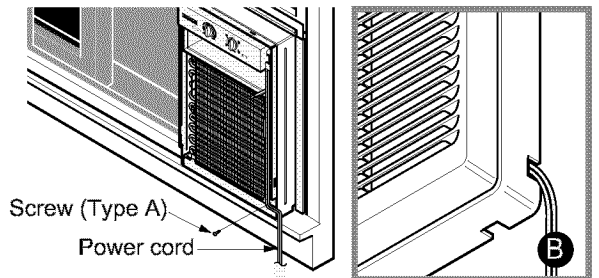
Using slit "A"

- Fasten the stopper using Type A screw, and pass the power cord through slit "A".



Using slit "B"

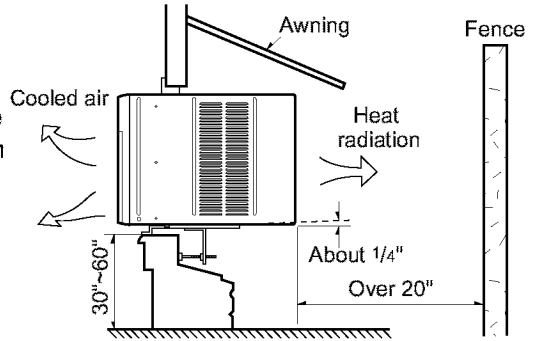
- Fasten the stopper using left screw hole, and rotate properly to pass the power cord through slit "B".



Installation Instructions

How to Install the Unit

1. To prevent vibration and noise, make sure the unit is installed securely and firmly
2. Install the unit where the sunlight does not shine directly on the unit.
3. The outside of the cabinet must extend outward for at least 14" and there should be no obstacles, such as a fence or wall, within 20" from the back of the cabinet because it will prevent heat radiation of the condenser. Restriction of outside air will greatly reduce the cooling efficiency of the air conditioner.



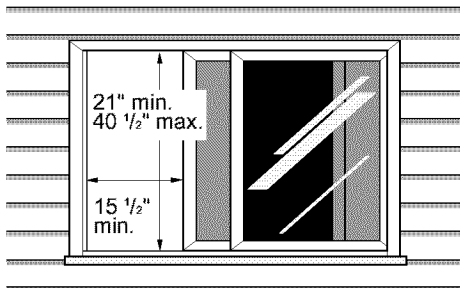
CAUTION: All side louvers of the cabinet must remain exposed to the outside of the structure.

4. Install the unit with a slight downward tilt so the back is slightly lower than the front (about 1/4").
This will force excess condensate to flow to the outside.
5. Install the unit with the bottom about 30" – 60" above the floor level.

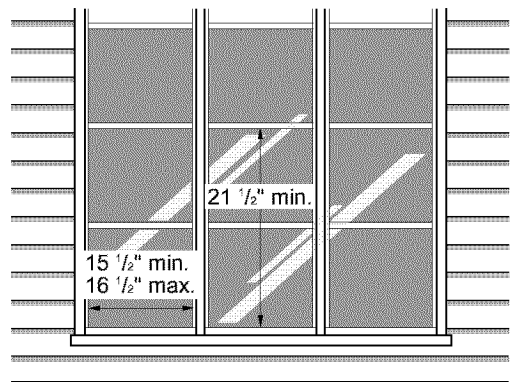
Window Requirements

1. These instructions are for a horizontal sliding or a casement window.
2. The electrical outlet must be within reach of the power cord.

For installation in a casement window, the window frame assembly and the side of the building must be adequate to support the weight of the air conditioner.



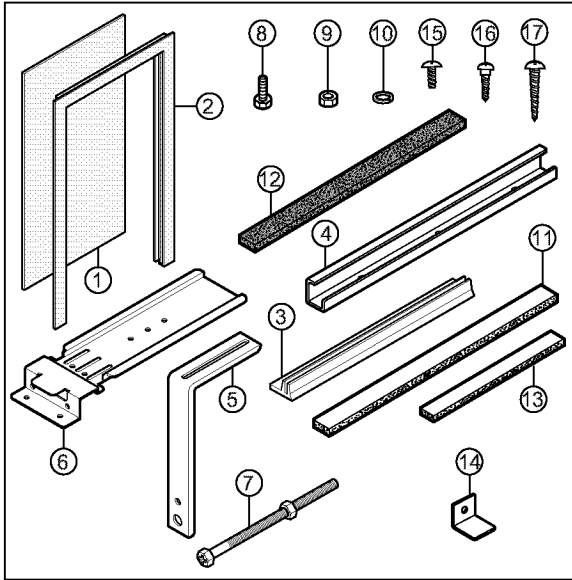
Horizontal sliding window



Casement window

Installation Instructions

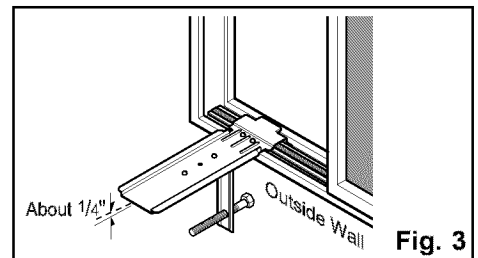
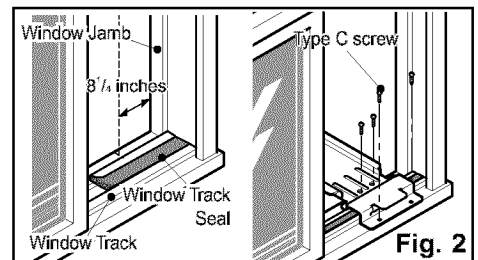
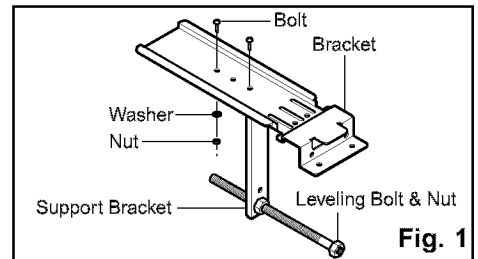
Installation Kits Contents



NO.	NAME OF PARTS	QTY
1	Curtain	1
2	Curtain Frame	1
3	Upper Guide	1
4	Side Guide	2
5	Support Bracket	1
6	Bracket	1
7	Leveling Bolt & Nut	1
8	Bolt	2
9	Nut	2
10	Washer	2
11	Side Guide seal	1
12	Foam Seal Strip	1
13	Window Track Seal	1
14	Window Locking Bracket	1
15	Screw (Type A)	9
16	Screw (Type B)	3
17	Screw (Type C)	8

Horizontal Sliding Window Installation

1. Loosely attach the support bracket to the bottom of bracket using bolts, washer, and nuts. Attach the leveling bolt and nut. (Fig. 1)
2. Remove protective backing from window track seal and apply seal to window track. (Fig.2)
3. Measure and lightly mark a line 8-1/4 inches from window jamb. Center the support bracket assembly on the window track and fasten with 4-type C screws.(Fig. 2)
4. Put the support bracket against the outside wall and tighten the bolts on top of the bracket. Adjust the leveling bolt so that the air conditioner will be installed with a very slight tilt (about 1/4") downward toward the outside for proper drainage. Tighten the nut. (Fig. 3)

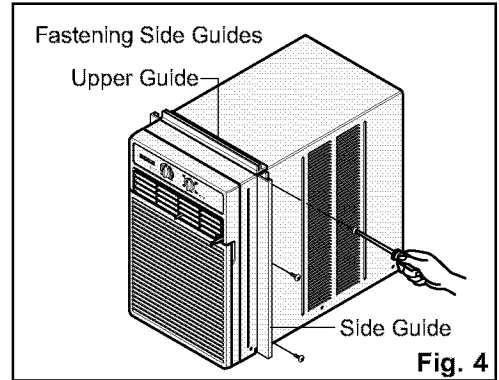


NOTE: DO NOT drill a hole in the bottom of the base pan. The air conditioner is designed to operate with the bottom of the base pan approximately half-full of water.

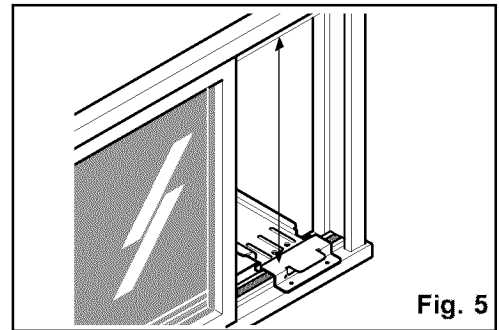
Installation Instructions

Horizontal Sliding Window Installation

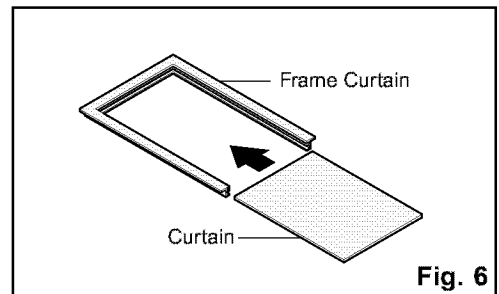
5. Fasten side guides to the sides of the air conditioner using 3-type A screws per guide. Start with first screw at middle of guide. (Fig. 4)
6. Fasten upper guide on the top of the air conditioner using 3-type A screws. (Fig. 4)



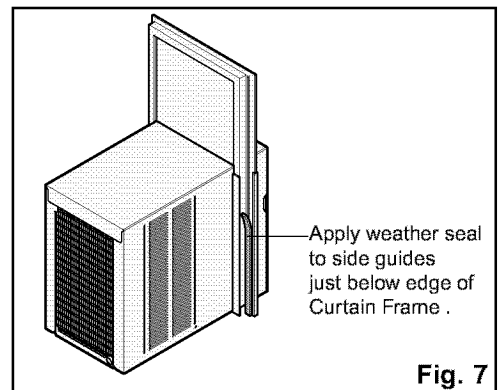
7. Measure height of window opening from top of bracket assembly as shown Fig. 5. Subtract 20-3/4 inches. Mark this measurement on curtain and cut the curtain. (Fig. 5)



8. Slide curtain into curtain frame. Slide curtain frame assembly into side guides of the air conditioner cabinet. Make sure curtain is firmly enclosed on all sides by the frame. (Fig. 6)

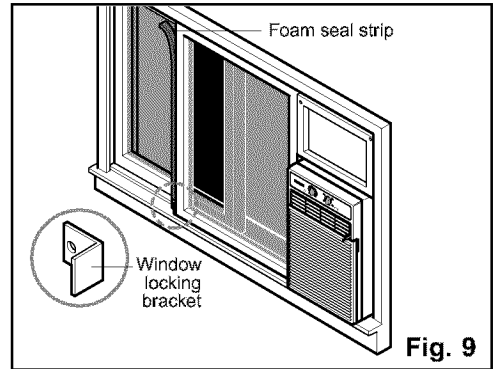
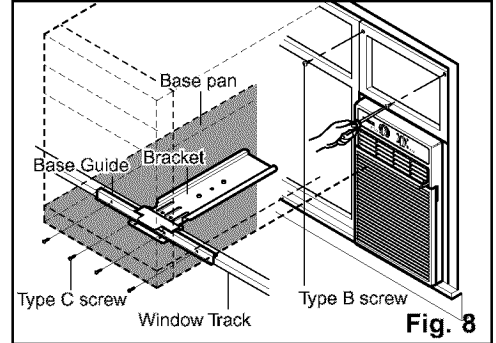


9. Cut side guide seal into 2 equal lengths. remove protective backing and apply it to the rear side of cabinet side guides, starting just below curtain frame assembly. Pinch off excess length so seal is even with the bottom of side guide. (Fig. 7)



Installation Instructions

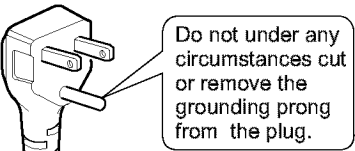
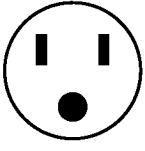
10. Place air conditioner in window opening. It should sit on bracket assembly so that curtain frame and cabinet side guides are against top and side window jambs. Mate front of bracket with base guide attached to the bottom of base pan.
 11. Drill 1/8 inch holes in window track through the existing holes on base guide. Screw 4-type C screws through the holes. (Fig. 8)
 12. If this is a casement window installation, proceed to casement window installation. If not, slide inner window sash firmly against side of the cabinet.
 13. Drill 1/8 inch hole in window jamb to align with the existing holes in the curtain frame. Attach curtain frame to window frame with 2-type B screws. (Fig. 8)
- NOTE:** Check all seals and plug any remaining air gaps with a suitable weatherproof caulk.
14. If this is a casement window installation, proceed to casement window installation. If not, stuff the foam seal strip between the vertical sash and the window glass. (Fig. 9)
 15. Attach the L bracket with a type B screw. (Fig. 9)



Casement Window Installation

1. Installation procedure is the same as that described in steps 1 through 11 and step 13 of the Horizontal Sliding Window installation.
2. If the window opening is wider than 15-3/4 inches you will need to install a filler panel. Make this panel from 3/4 inch thick wood and run it the full length of the window. Attach it securely to the window frame and paint it to protect it from the weather.
3. Since styles and sizes of casement windows vary widely, it is advisable to have the air conditioner installed by someone skilled in this type of installation.

Electrical Data

Line Cord Plug	Use Wall Receptacle	Power Supply
 <p>Power supply cord with 3-prong grounding plug</p>	 <p>Standard 125V, 3-wire grounding receptacle rated 15A, 125V AC</p>	<p>Use 15 AMP, time delay fuse or circuit breaker.</p>

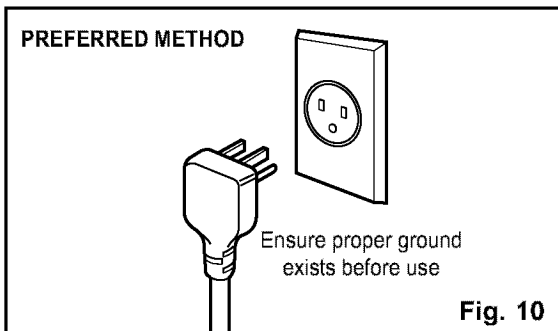
Installation Instructions

Electrical Safety

IMPORTANT (PLEASE READ CAREFULLY)

**FOR THE USER'S PERSONAL SAFETY,
THIS APPLIANCE MUST BE PROPERLY
GROUNDED**

The power cord of this appliance is equipped with a three-prong(grounding) plug. Use this with a standard three-slot(grounding) wall power outlet(Fig. 10) to minimize the hazard of electric shock. The customer should have the wall receptacle and circuit checked by a qualified electrician to make sure the receptacle is properly grounded.



**DO NOT CUT OR REMOVE THE
THIRD(GROUND) PRONG FROM THE
POWER PLUG.**

Trouble Shooting Tips

Save time and money! Review the chart below first and you may not need to call for service.

Normal Operation

- You may hear a pinging noise caused by water being picked up and thrown against the condenser on rainy days or when the humidity is high. This design feature helps remove moisture and improve efficiency.
- You may hear the thermostat click when the compressor cycles on and off.
- Water will collect in the base pan during high humidity or on rainy days. The water may overflow and drip from the outdoor side of the unit.
- The fan may run even when the compressor does not.

Abnormal Operation

Problem	Possible Causes	What To Do
Air conditioner does not start	■ The air conditioner is unplugged.	• Make sure the air conditioner plug is pushed completely into the outlet.
	■ The fuse is blown/circuit breaker is tripped.	• Check the house fuse/circuit breaker box and replace the fuse or reset the breaker.
	■ Power failure.	• If power failure occurs, turn the mode control to Off . When power is restored, wait 3 minutes to restart the air conditioner to prevent tripping of the compressor overload.
Air conditioner does not cool as it should	■ Airflow is restricted.	• Make sure there are no curtains, blinds, or furniture blocking the front of the air conditioner.
	■ The TEMP Control may not be set high enough.	• Turn the knob to a higher number. The highest setting provides maximum cooling.
	■ The air filter is dirty.	• Clean the filter at least every 2 weeks. See the care and maintenance section.
	■ The room may have been hot.	• When the air conditioner is first turned on you need to allow time for the room to cool down.
	■ Cold air is escaping.	• Check for open furnace floor registers and cold air returns. • Set the air conditioner's vent to the closed position.
	■ Cooling coils have iced up.	• See Air Conditioner Freezing Up below.
Air conditioner freezing up	■ Ice blocks the air flow and stops the air conditioner from cooling the room.	• Set the mode control at High Cool with the high temperature mark 1 or 2.



FRIEDRICH AIR CONDITIONING CO.
Post Office Box 1540 • San Antonio, Texas 78295-1540
(210) 357-4400 • FAX (210) 357-4480

ROOM AIR CONDITIONERS LIMITED WARRANTY

FIRST YEAR

ANY PART: If any part supplied by FRIEDRICH fails because of a defect in workmanship or material within twelve months from date of original purchase, FRIEDRICH will repair the product at no charge, provided room air conditioner is reasonably accessible for service. Any additional labor cost for removing inaccessible units and/or charges for mileage related to travel by a Service Agency that exceeds 25 miles one way will be the responsibility of the owner. This remedy is expressly agreed to be the exclusive remedy within twelve months from the date of the original purchase.

SECOND THROUGH FIFTH YEAR

SEALED REFRIGERANT SYSTEM: If the sealed refrigeration system (defined for this purpose as the compressor, condenser coil, evaporator coil, reversing valve, check valve, capillary, filter drier, and all interconnecting tubing) supplied by FRIEDRICH in your Room Air Conditioner fails because of a defect in workmanship or material within sixty months from date of purchase, FRIEDRICH will pay a labor allowance and parts necessary to repair the Sealed Refrigeration System; **PROVIDED FRIEDRICH** will not pay the cost of diagnosis of the problem, removal, freight charges and transportation of the air conditioner to and from the Service Agency, and the reinstallation charges associated with repair of the Sealed Refrigeration System. All such cost will be the sole responsibility of the owner. This remedy is expressly agreed to be the exclusive remedy within sixty months from the date of the original purchase.

APPLICABILITY AND LIMITATIONS: This warranty is applicable only to units retained within the Fifty States of the U.S.A., District of Columbia, and Canada. This warranty is not applicable to:

1. Air filters or fuses.
2. Products on which the model and serial numbers have been removed.
3. Products which have defects or damage which results from improper installation, wiring, electrical current characteristics, or maintenance; or caused by accident, misuse or abuse, fire, flood, alterations and/or misapplication of the product and/or units installed in a corrosive atmosphere, default or delay in performance caused by war, government restrictions or restraints, strikes, material shortages beyond the control of FRIEDRICH, or acts of God.

OBTAINING WARRANTY PERFORMANCE: Service will be provided by the **FRIEDRICH Authorized Dealer or Service Organization** in your area. They are listed in the Yellow Pages. If assistance is required in obtaining warranty performance, write to: Room Air Conditioner Service Manager, Friedrich Air Conditioning Co., P.O. Box 1540, San Antonio, TX 78295-1540.

LIMITATIONS: THIS WARRANTY IS GIVEN IN LIEU OF ALL OTHER WARRANTIES. Anything in the warranty notwithstanding, ANY IMPLIED WARRANTIES OF FITNESS FOR PARTICULAR PURPOSE AND/OR MERCHANTABILITY SHALL BE LIMITED TO THE DURATION OF THIS EXPRESS WARRANTY. MANUFACTURER EXPRESSLY DISCLAIMS AND EXCLUDES ANY LIABILITY FOR CONSEQUENTIAL OR INCIDENTAL DAMAGE FOR BREACH OF ANY EXPRESSED OR IMPLIED WARRANTY.

NOTE: Some states do not allow limitations on how long an implied warranty lasts, or do not allow the limitation or exclusion of consequential or incidental damages, so the foregoing exclusions and limitations may not apply to you.

OTHER: This warranty gives you specific legal rights, and you may also have other rights which vary from state to state.

PROOF OF PURCHASE: Owner must provide proof of purchase in order to receive any warranty related services.

All service calls for explaining the operation of this product will be the sole responsibility of the consumer.

All warranty service must be provided by an **Authorized FRIEDRICH Service Agency**, unless authorized by FRIEDRICH prior to repairs being made.

In case of questions regarding the provisions of this warranty, the English version will govern.

Revised 01/03

ENGLISH

Memo

A series of horizontal dotted lines for writing.



FRIEDRICH AIR CONDITIONING CO.

Visit our web site at www.friedrich.com

Post Office Box 1540 • 4200 N. Pan Am Expressway • San Antonio, Texas 78295-1540
• (210) 357-4400 • FAX (210) 357-4480

P/NO.: 3828A20291D

Printed in the U.S.A

920-153-00 (01/03)