



Operator's Manual



Tiller/Edger Model
128T

IMPORTANT: READ SAFETY RULES AND INSTRUCTIONS CAREFULLY

Warning: This unit is equipped with an internal combustion engine and should not be used on or near any unimproved forest-covered, brush-covered or grass-covered land unless the engine's exhaust system is equipped with a spark arrester meeting applicable local or state laws (if any). If a spark arrester is used, it should be maintained in effective working order by the operator. In the State of California the above is required by law (Section 4442 of the California Public Resources Code). Other states may have similar laws. Federal laws apply on federal lands. A spark arrester for the muffler is available by contacting the service department at Troy-Bilt LLC, P.O. Box 361131 Cleveland, Ohio 44136-0019.

TROY-BILT LLC, P.O. BOX 361131, CLEVELAND, OH 44136-0019

PRINTED IN USA

FROM NO. 769-00155A
(01/2003)

TABLE OF CONTENTS


Content	Page
Calling Customer Support	2
Safety	3
Assembly	5
Features and Controls	7
Operation	8
Maintenance	11
Storage	13
Troubleshooting	14
Parts List	15
Warranty Information	Back Cover

FINDING MODEL NUMBER

This Operator's Manual is an important part of your new Tiller/Edger. It will help you assemble, prepare and maintain the unit for best performance. Please read and understand what it says.

Before you start assembling your new equipment, please locate the model plate on the equipment and copy the information from it in the space provided below. This information is very important if you need help from our Customer Support Department or an authorized dealer.

- You can locate the model number by looking at the rear surface of the tine shield. A sample model plate is explained below. For future reference, please copy the model number and the serial number of the equipment in the space below

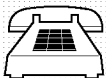
 <p>TROY-BILT® www.troybilt.com</p> <p>TROY-BILT LLC P. O. BOX 361131 CLEVELAND, OH 44136 330-558-7220 866-840-6483</p>	Copy Model Number Here _____
	Copy Serial Number Here _____

ENGINE INFORMATION

The engine manufacturer is responsible for all engine-related issues with regards to performance, power-rating, specifications, warranty and service. Please refer to the engine manufacturer's Owner's/Operator's Manual packed separately with your unit for more information.

CALLING CUSTOMER SUPPORT

If you have difficulty assembling this product or have any questions regarding the controls, operation or maintenance of this unit, please call the Customer Support Department.



Call 1- (330) 558-7220 or 1- (866) 840-6483 to reach a Customer Support representative. Please have your unit's model number and serial number ready when you call. See previous section to locate this information. You will be asked to enter the serial number in order to process your call ..

For more details about your unit, visit our website at www.troybilt.com

SPARK ARRESTER WARNING TO RESIDENTS OF CALIFORNIA AND SEVERAL OTHER STATES

Under California law, and under the laws of several other states, you are not permitted to operate an internal combustion engine using hydrocarbon fuels on any forest, brush, hay, grain, or grass covered land; or land covered by any flammable agricultural crop without an engine spark arrester in continuous effective working order.

The engine on the unit is an internal combustion engine which burns gasoline, a hydrocarbon fuel, and must be equipped with a spark arrester muffler in continuous effective working order. The spark arrester must be attached to the engine exhaust system in such a manner that flames or heat from the system will not ignite flammable material. Failure of the owner/operator of the unit to comply with this regulation is a misdemeanor under California law (and other states) and may also be a violation of other state and/or federal regulations, laws, ordinances or codes. Contact your local fire marshal or forest service for specific information about which regulations apply in your area.

TRAINING

- Read this Owner's Manual and the separate Engine Owner's Manual very carefully before operating this equipment. Be completely familiar with the controls and the proper use of the equipment. Know how to stop the unit and disengage the controls quickly. A replacement Manual is available by contacting your authorized dealer or the Factory.
- Never allow children or untrained adults to use this equipment. Let adults operate the unit only if instructed properly.
- Keep the area of operation clear of all persons, particularly small children and pets. Keep bystanders at least 25 feet from the area of operation.
- Keep in mind that the operator or user is responsible for accidents or hazards occurring to other people, their property and themselves.
- Familiarize yourself with all of the safety and operating decals on this equipment and on any of its attachments or accessories.
- Do not run engine in an enclosed area. Engine exhaust contains carbon monoxide gas, a deadly poison that is odorless, colorless, and tasteless. Do not operate this equipment near buildings, windows, or air conditioning equipment.
- Do not allow hands or any other part of the body or clothing near the rotating tines or near any other moving part. The tines begin to rotate forward once the engine is started and the Throttle/Tines Lever is squeezed. The tines continue to rotate until the operator releases the Throttle/Tines Lever.
- Before inspecting or servicing any part of the equipment, shut off engine, make sure all moving parts have come to a complete stop, then disconnect spark

plug wire from spark plug and move wire away from the plug.

- Do not operate this equipment if you are under the influence of alcohol, medication, or when you are tired or ill.

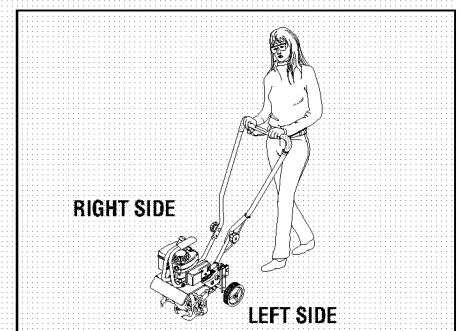
PREPARATION

- Thoroughly inspect the area where the equipment is to be used and remove all foreign objects.
- Make sure that the Throttle/Tines Lever is released and is in the neutral position before you begin to start the engine.
- Do not operate the machine without wearing adequate outer garments. Avoid loose garments or jewelry that could get caught in moving parts of the machine or its engine.
- Do not operate the equipment when barefoot or when wearing sandals, sneakers, or similar lightweight footwear. Wear protective footwear that will protect your feet and improve footing on all surfaces.
- Wear approved safety glasses when operating this equipment. The operation of any powered machine can result in foreign objects being thrown by high-speed rotating parts.
- Do not till near underground electric cables, telephone lines, pipes, or hoses. If in doubt, contact your utility or telephone company to locate underground services.
- Handle fuel with care. It is highly flammable and has explosive vapors. Take these precautions:
 - a. Use an approved fuel container.
 - b. Add fuel before starting the engine. Never remove the cap of the fuel tank or add fuel while the engine is running or when the engine is hot. Operators shall not smoke.

- c. Keep matches, cigarettes, cigars, pipes, open flames, and sparks away from the fuel tank and fuel container.
 - d. Fill fuel tank outdoors and with extreme caution. Never fill fuel tank when indoors. Use a funnel or spout to prevent spillage.
 - e. Replace all fuel tank and fuel container caps securely.
 - f. If fuel is spilled, do not attempt to start the engine, but move the machine away from the area of spillage and avoid creating any source of ignition until fuel vapors have dissipated.
- Never make adjustments to your equipment when the engine is running or spark plug wire is connected (unless specifically recommended in Owner's Manual).

OPERATION

Operator's Position



LEFT and RIGHT sides of the tiller are from the operator's position behind the handlebars (unless noted otherwise).

- The correct operator's position is when you are standing behind and gripping handlebar, facing forward toward the engine. Do not leave this position while using the Throttle/Tines Lever.
- Do not put hands or feet near or under rotating parts.

Section 1: Safety

- Exercise extreme caution when on or crossing gravel drives, walks or roads. Stay alert for hidden hazards or traffic. Do not carry passengers.
- After striking a foreign object, stop the engine, let all moving parts come to a complete stop, disconnect the spark plug wire and prevent it from touching the spark plug, then carefully inspect the machine for damage. Repair the damage before restarting and operating the machine.
- Exercise caution to avoid slipping or falling.
- If the machine should start to vibrate abnormally, stop the engine. Disconnect the spark plug wire and prevent it from touching the plug. Check immediately for the cause. Vibration is generally a warning of trouble. Fix the problem before using the equipment again.
- Stop the engine, disconnect the spark plug wire and prevent it from touching the spark plug whenever you leave the equipment, before unclogging the tines, or when making any repairs, adjustments or inspections.
- Take all possible precautions when leaving the machine unattended. Always stop the engine. Disconnect the spark plug wire and prevent it from touching the plug.
- Before cleaning, repairing, or inspecting, stop the engine and make certain all moving parts have stopped. Disconnect the spark plug wire and prevent it from touching the spark plug to avoid accidental starting.
- Never operate equipment without proper guards, plates, or other protective safety devices in place.
- Do not run the engine in an enclosed area. The exhaust fumes from the engine contain extremely dangerous carbon monoxide gas. This gas is colorless, odorless, tasteless and deadly poisonous.
- Keep children and pets away.
- Be aware that the equipment may unexpectedly bounce upward or jump forward if the tines should strike extremely hard packed soil, frozen ground, or buried obstacles such as large stones, roots or stumps. If you are in doubt about the tilling conditions, always use the following operating precautions to assist you in maintaining control of the equipment:
 - a. Stand behind the equipment, using both hands on the handlebars. Relax your arms, but use a secure hand grip.
 - b. Start tilling at shallow depths, working gradually deeper with each pass.
 - c. Clear the tilling area of all large stones, roots, and other debris.
 - d. In an emergency, stop the tines by releasing the Throttle/Tines Lever on the handlebar. To stop the engine, move the engine On/Off switch to OFF.
- Do not overload the machine's capacity by attempting to till too deeply at too fast a rate.
- Never operate the equipment on slippery surfaces. Look behind and use care when backing up.
- Do not operate the equipment on a slope that is too steep for safety. When on slopes, slow down and make sure you have good footing.
- Never allow bystanders near the unit.
- Only use attachments and accessories that are factory-approved.
- Never operate the equipment without good visibility or good light.
- Never operate the unit if you are tired, or under the influence of alcohol, drugs, or medication.
- Do not tamper with the engine governor settings on the machine; the governor controls the maximum safe operating speed and protects the engine and all other moving parts from damage caused by engine overspeed. Authorized service shall be sought if a problem exists.
- Do not touch engine parts which may be hot from operation. Allow parts to cool before inspecting, cleaning or repairing.
- Remember: you can stop the tines by releasing the Throttle/Tines Lever. Move the engine On/Off switch to OFF to shut the engine off.
- Never transport this machine when the engine is running.
- Terminals and non-insulated electrical parts shall be protected against shorting during normal servicing, refueling or lubrication.
- Use extreme caution when reversing or pulling the machine toward you.
- Start the engine carefully according to instructions and with feet well away from the tines.

MAINTENANCE/STORAGE

- Keep the tiller, attachments and accessories in safe working condition.
- Check all nuts, bolts, and screws at frequent intervals for proper tightness to be sure equipment is in safe working condition.
- Never store equipment with fuel in fuel tank inside a building where fumes may reach an open flame or spark (hot water and space heaters, furnaces, clothes dryers, stoves, electric motors, etc.).
- Allow the engine to cool before storing the equipment.
- Keep the engine free of grass, leaves, or grease to reduce the chance of a fire hazard.
- Store gasoline in a cool, well-ventilated area, safely away from any spark- or flame-producing equipment. Store gasoline in an approved container, safely away from the reach of children.
- Never perform maintenance when engine is running or spark plug wire is connected unless instructed to do so.
- If fuel tank must be drained, do so outdoors.
- Follow manufacturer's recommendations for safe loading, unloading, transport and storage of machine.

⚠ WARNING

To prevent personal injury or property damage, do not start the engine until all assembly steps are complete and you have read and understand the safety and operating instructions in this manual.

INTRODUCTION

Read these instructions in their entirety before you attempt to assemble or operate your new equipment.

The Border/Edger Attachment (H, Figure 5) does not need to be installed until you are ready to do edging projects (refer to instructions in this Section).

IMPORTANT: The correct mixture of unleaded automotive gasoline and two-cycle motor oil (a 24:1 ratio of gasoline to two-cycle oil) must be added to the fuel tank before starting the engine. See instructions in this Section.

UNPACKING INSTRUCTIONS

1. Inspect your machine immediately. If you find or suspect damage to the carton or contents, contact your local authorized dealer or the Factory for assistance.
2. Remove any packing material. Check for small parts before discarding the packing material. Loose parts include the following:

- (1) Bottle of 2-Cycle Oil
- (1) Wheel (for edging)
- (1) Edger Tine
- (2) *Long Bushings
- (1) *Short Bushing

* Packed in a separate plastic bag.

3. Perform the assembly on a clean, level surface. Be careful not to severely bend any of the control cables on the unit.

4. Before starting any assembly steps, disconnect the engine spark plug wire from the spark plug.

ASSEMBLY STEPS

STEP 1: Unfold and Adjust Handlebars

IMPORTANT: Be careful not to pinch any wires or cables while unfolding and adjusting the handlebars.

1. Loosen the two handlebar knobs (A, Figure 1) and unfold the handlebars into the operating position. Do not use force — if there is binding, continue to loosen the knobs.

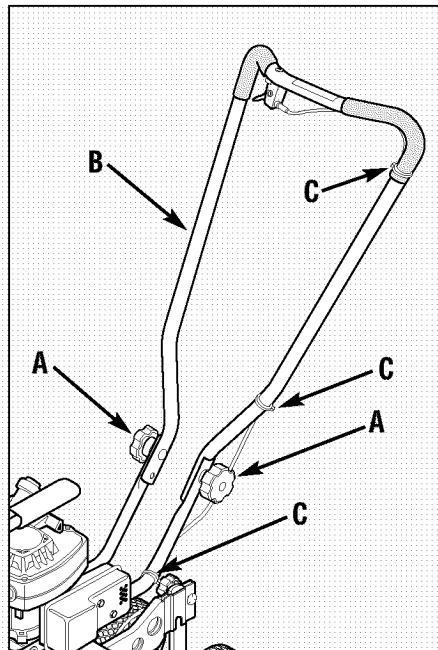


Figure 1: Loosen handlebar knobs and unfold handlebars. Slide plastic ties to the locations shown.

2. There are two height settings holes in the upper handlebar. The unit is shipped with the handlebar knobs in the lowest height setting holes. If this height is correct for you, simply tighten the two handlebar knobs. If a higher setting is desired, reposition the handlebar knobs, mounting screws and washers in the other set of holes.

3. Check the locations of the three plastic ties (C, Figure 1). The ties must be positioned as shown.

NOTE: There is just one handlebar storage position – folded over the engine as originally shipped.

STEP 2: Inspect and Tighten Hardware

Check all nuts, bolts and screws on your unit and tighten as needed. NOTE: Use a 7/16" socket with an extension to check hardware at ends of handlebar.

Tools Needed to Check for Loose Hardware:

- Adjustable wrench
- Slotted-head screwdriver
- Phillips-head screwdriver
- 7/16" socket and extension

IMPORTANT: Do not tighten engine governor screw (D, Figure 2). It is factory-adjusted for proper engine operation.

⚠ DANGER

- Gasoline and its vapors are highly flammable and explosive. Keep gasoline away from possible ignition sources.
- Do not smoke while mixing the gasoline and two-cycle oil together or when filling the fuel tank.
- Never fill fuel tank when engine is running or hot.

Failure to follow these precautions could result in the fuel igniting, causing personal injury or property damage.

STEP 3: Add a Mixture of Gasoline and Two-Cycle Oil to the Fuel Tank

IMPORTANT: Read the separate Engine Owner's Manual before starting the engine.

1. Use clean, high quality 2-cycle oil, NMMA TC-WII or TC-W3. **DO NOT USE MULTI-VISCOSITY OIL!**
2. Use fresh, clean, unleaded regular, unleaded premium or reformulated automotive gasoline only. **DO NOT USE LEADED GASOLINE.**

NOTE: Do not use gasoline containing methanol (wood alcohol). Fuel containing up to 10% ethanol (gasohol) or up to 15% MTBE (Methyl Tertiary Butyl Ether) may be used, but requires special care when the engine is not used for extended periods. See "STORAGE" instructions in Engine Owner's Manual for additional information.

3. The fuel/oil mix ratio is 24:1 with the use of a NMMA classified oil. For new engines, use twice the normal oil quantity for the first gallon of fuel. NOTE: Due to differences in fuel and oil availability worldwide, Tecumseh recommends a 16:1 mix ratio if NMMA oil is not available.

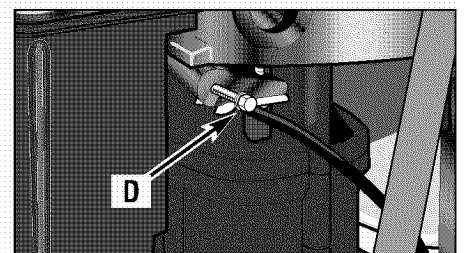


Figure 2: Do not adjust or tighten the engine governor screw.

Section 2: Assembly

Chart 1: FUEL MIXTURE

(Mixture Ratio is 24 parts gasoline to 1 part two-cycle oil)

U.S. Gas	U.S. Oil
1 Gal.	5 oz.
2 Gal.	11 oz.
Metric Petrol	Metric Oil
4 liters	167 ml
8 liters	333 ml

4. Do not mix fuel directly in engine fuel tank. Always use a clean, safety-approved fuel container.

• To Mix:

- A. Fill a clean, approved container one quarter full with recommended gasoline.
- B. Add recommended amount of oil per Chart 1: FUEL MIXTURE.
- C. Screw cap on container and shake vigorously. Then unscrew cap and fill container with gasoline per Chart 1: FUEL MIXTURE. Screw on cap and shake again. Once mixed, oil and gasoline will not separate.

Fill Fuel Tank:

- 1. Engine must be cool.** Clean area around fuel tank cap and remove cap. Insert a clean funnel into the fuel tank.
- 2.** Slowly pour gasoline/oil mixture into fuel tank. Fill tank no higher than 1/2" from top of tank to allow for gasoline expansion. Install fuel cap and clean up any fuel spills.

⚠ WARNING

Contact with rotating tines or other moving parts can cause serious personal injury.

Before installing or removing attachments, or adjusting or servicing the machine, stop the engine, let all moving parts come to a complete stop, disconnect the spark plug wire and move the wire away from the spark plug.

STEP 4: To Make Borders and Edges, Install the Edger Attachment

To create borders or edges near walks, driveways, flower beds, etc., you must remove the four tine sections and install the Edger Attachment (this attachment was supplied with the unit – see Page 5).

To Install the Edger Attachment:

- 1.** Gather together the following parts (see Figure 4): (A) Border/Edger Tine; (B) Long Bushing; (C) Border/Edger Wheel and (D) Short Bushing.
- 2.** Prop the machine carefully on the front of the tubular carrying handle. The work surface should be firm and flat. NOTE: Usually the Border/Edger Tine is mounted on the right-side of the unit for right-handed persons, and on the left-side of the unit for left-handed persons.
- 3.** Remove the hitch pin on each tine shaft (E, Figures 3 and 4).
- 4.** It is important for proper tilling performance that the tine sections be later reinstalled in their original patterns. Mark the position of each tine section (Left-Outer, Left-Inner, etc.) before removing them. Refer to Figures 3 and 9 for tine pattern information. See also *Tine Removal and Installation* in Section 5.
- 5.** Install the short bushing (D, Figure 4) on the right-hand or left-hand tine shaft. Then place the Border/Edger wheel (C) on

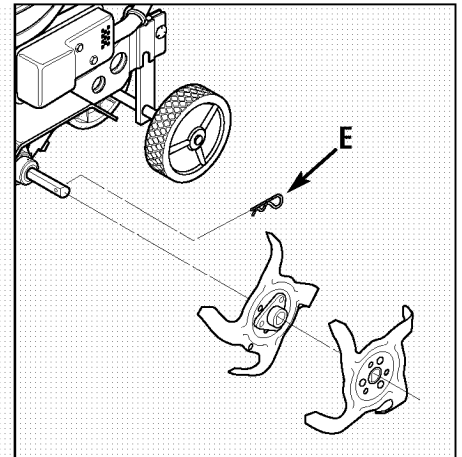


Figure 3: Remove hitch pins and tines from both sides of the tine shaft. Keep left and right-side tines separated and marked for easier reinstallation.

the same shaft – the wheel hub should face toward the tiller. Insert the hitch pin through the rounded side of the tine shaft.

6. Slide the long bushing (B) on the opposite side shaft. Then install the Border/Edger tine (A) and secure it with the hitch pin.

See Section 4 for instructions on using the Border/Edger Attachment.

See *Tine Removal and Installation* in Section 5 for information on how to reinstall the tines.

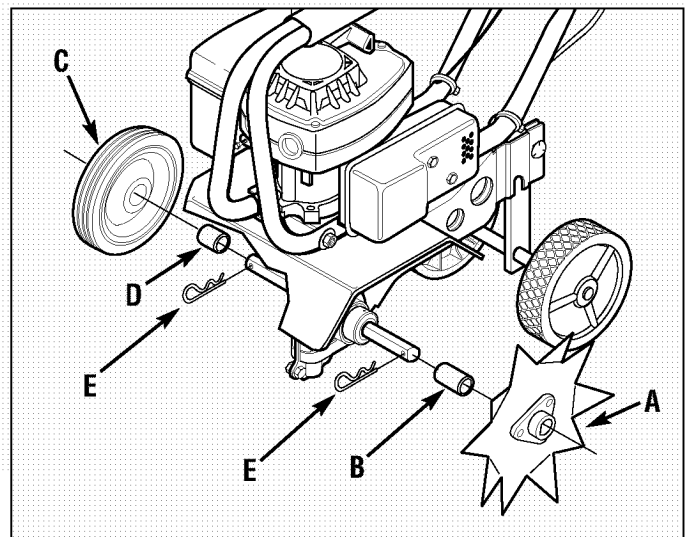


Figure 4: The Border/Edger tine (A) can be mounted on left or right sides of machine (with long bushing B). The Border/Edger wheel (C) mounts on the other side (with short bushing D).

Features and Controls

KNOW YOUR EQUIPMENT

READ THIS OWNER'S MANUAL AND ALL SAFETY RULES BEFORE OPERATING YOUR EQUIPMENT. Know the location and function of all features and controls on the equipment. Save this manual for future reference.

⚠ WARNING

Before operating your machine, carefully read and understand all safety, controls, and operating instructions in this Manual, the separate Engine Owner's Manual and on the decals on the machine.

Failure to follow these instructions can result in serious personal injury.

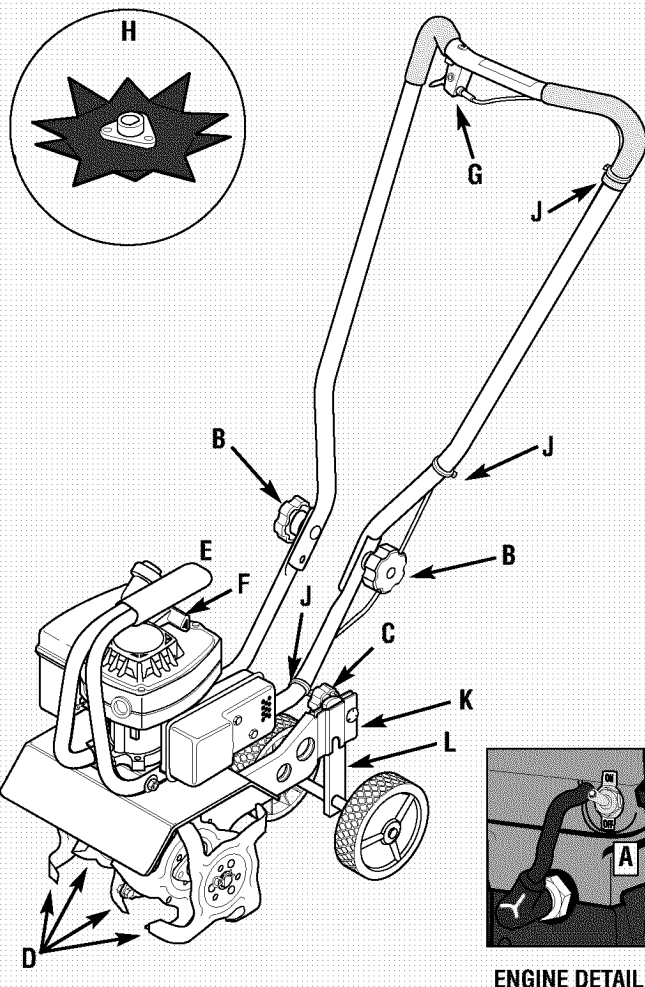


Figure 5: Features and controls.

Handlebar Height Adjustment Knob (B, Figure 5)

Two height settings, plus a storage position are available. Refer to *Assembly Steps, STEP 1* in Section 2 for adjustment instructions.

Tilling Depth Adjustment Knob (C, Figure 5)

Loosening the knob enables you to move the wheel bracket (K) up or down on the height adjustment bar (L). This controls the tilling depth.

IMPORTANT: Do not move the wheel bracket any higher than the top of the adjustment bar.

Adjustable Tine Patterns (D, Figure 5)

The four tine sections are assembled at the factory for maximum performance under a wide variety of conditions. If needed, the tines can be arranged for narrower tilling or close cultivating. The tines can also be arranged to till very stony soil. See *Adjusting Tine Patterns* in Section 4 for details.

Carrying Handle (E, Figure 5)

When the handlebar is folded in the storage position the unit can be carried by the carrying handle. The carrying handle also serves as a tie-down anchor point.

Edger Attachment (H, Figure 5)

Use this separate attachment to create borders or edges along walks, driveways, flower beds, etc. See Section 4 for details on installing and using this attachment.

Engine Controls

Engine On/Off Switch (A, Figure 5)

Use the engine On/Off Switch to start or stop the engine. See *Starting and Stopping the Engine* in Section 4 and the Engine Owner's Manual for details.

Throttle/Tines Lever (G, Figure 5)

Squeeze this lever to start tine rotation and to vary the tine speed. Release the lever to stop all tine motion. See *Starting and Stopping the Engine* in Section 4 for details.

IMPORTANT: Do not squeeze this lever when starting the engine.

Engine Recoil Start Rope (F, Figure 5)

Use the recoil start rope to start the engine. See *Starting and Stopping the Engine* in Section 4 and the Engine Owner's Manual for details.

⚠ WARNING

Before operating the unit carefully read and understand all safety, control and operating instructions in this Manual, the separate Engine Owner's Manual and the decals on the machine.

Failure to follow these instructions can result in serious personal injury.

PRE-START PREPARATION

Before starting the engine, perform the following checks and services:

1. Disconnect the spark plug wire from the spark plug.
2. Move the engine On/Off switch to the OFF position.
3. Check the three plastic cable ties (J, Figure 5). Be sure that cables and ties are positioned as shown. Do not kink or pinch the control cables in the handlebar.
4. Adjust handlebar height to desired position (see *Assembly Steps, STEP 1*: in Section 2).
5. Check hardware for tightness.

⚠ DANGER

GASOLINE IS HIGHLY FLAMMABLE AND ITS VAPORS ARE EXPLOSIVE.

Follow the gasoline safety rules in this Manual (Section 1) and in the separate Engine Owner's Manual.

Failure to follow gasoline safety instructions can result in serious personal injury and property damage.

6. Add the correct fuel mixture (see *Assembly Steps, STEP 3*: in Section 2).
7. Adjust the tilling depth as follows:

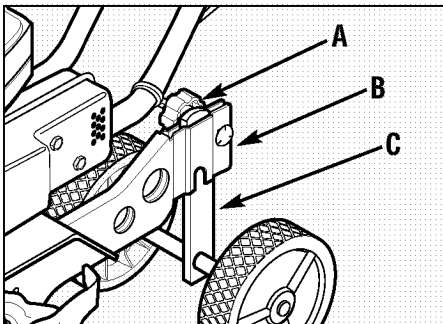


Figure 6

- a. Loosen tilling depth adjustment knob (A, Figure 6).
 - b. Move wheel bracket (B, Figure 6) up in relation to the height adjustment bar (C). Moving the bracket upward results in shallower tilling, which is recommended for initial use.
- IMPORTANT:** Do not move the wheel bracket any higher than the top of the adjustment bar.
- c. Retighten the depth adjustment knob.

8. Reconnect the spark plug wire.

STOPPING AND STARTING THE ENGINE

Stopping the Engine

To stop the engine, move the engine On/Off Switch (A, Figure 5) to the OFF position.

Starting the Engine

⚠ WARNING

Do not squeeze the Throttle/Tines Lever while starting engine.

Tines may propel the machine forward if the engine speed is advanced from idle. Failure to comply can result in personal injury or property damage.

1. To avoid carbon monoxide poisoning, make sure engine is outdoors in a well-ventilated area.
2. Move choke control lever to "FULL CHOKE" position. See Figure 1.

NOTE: If restarting a warm engine after a short shutdown, move choke lever to "NO CHOKE" position.

⚠ WARNING

When pulling starter rope, the rope can unexpectedly jerk back toward engine causing serious injury. To avoid this risk, carefully follow these instructions.

3. Grasp starter cord handle. See Figure 8.
 - a. Pull rope out slowly until you feel drag.

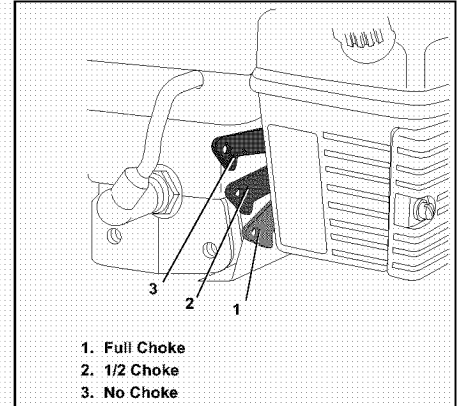


Figure 7

- b. Without allowing the rope to retract, continue pulling rope with one rapid full arm stroke.
 - c. Return rope *slowly* to original position.
4. If engine fails to start after 3 attempts repeat steps 2 – 3 and try again.
 5. When engine starts:
 - a. Momentarily move choke lever to "1/2 CHOKE" position until engine runs smoothly.
 - b. Next, move choke lever to "NO CHOKE" position.

NOTE: If engine starts but falters when choke is moved to "NO CHOKE" position:

- a. Momentarily move choke control back to "FULL CHOKE" position.
- b. Next, move control to "1/2 CHOKE" until engine runs smoothly.
- c. Finally, move control to "NO CHOKE" position.

If engine dies after choke is moved to "NO CHOKE" position, repeat steps 2 – 5 to restart engine.

6. If engine fires but does not continue to run, move choke control lever to "NO CHOKE" position and pull starter rope again.

7. If engine fails to start after 3 attempts move choke control to "FULL CHOKE" and pull starter rope again.

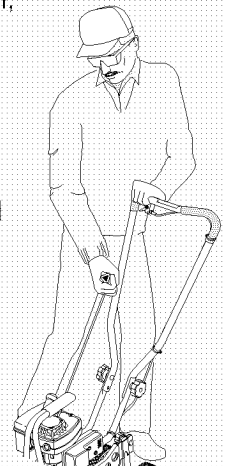


Figure 8

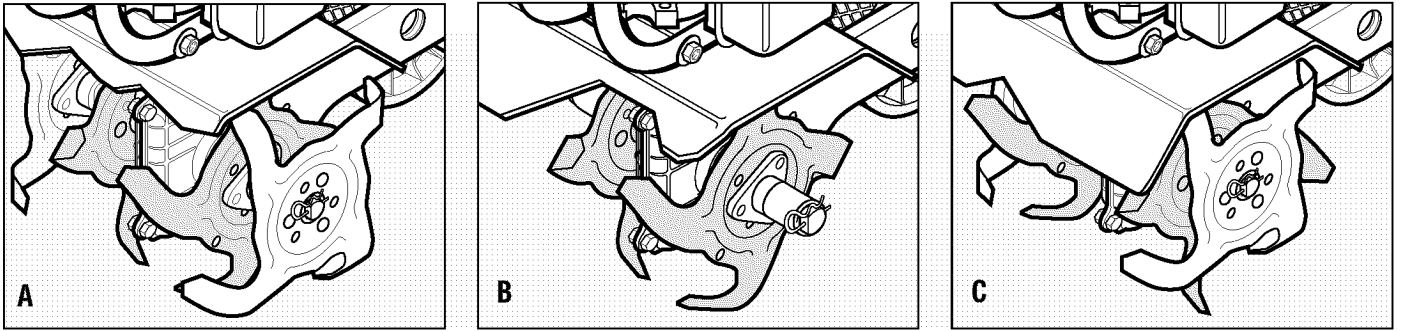


Figure 9: "A" - all four tine gangs in standard pattern; "B" - two outer gangs removed for narrow tilling; "C" - the two inner gangs have been swapped for stony tilling conditions.

TILLING AND CULTIVATING

⚠ WARNING



Keep away from rotating tines. Rotating tines will cause serious personal injury.

Use your machine to break up sod, prepare seedbeds and for cultivating in gardens and flower beds. It is easy to operate, but it is important that you start out slowly and read this Section thoroughly before putting it to use. Let the machine do most of the work. The tines will pull the machine forward, letting you adjust forward speed by pressing down or lifting the handlebars.

1. Roll the machine to the work area.
2. Adjust the tilling depth to the desired position (see *Pre-Start Preparation*, previous page).
3. Start the engine (see *Stopping and Starting the Engine*, previous page). Stand behind the handlebar and push down on the bar to raise the tines off the ground. Squeeze the Throttle/Tines Lever— the engine should speed up and the tines start rotating. Release the Throttle/Tines Lever to return to idle, the tines should stop rotating or they may rotate very slowly. Lowering them back to the ground should stop any rotation.

NOTE: If tines continue to rotate when engine is idling, either the idle speed is too high or the centrifugal clutch is malfunctioning. If this occurs, contact the Factory or your local authorized dealer.

4. Squeeze the Throttle/Tines Lever to start the tines rotating. Lower the tines to begin tilling. Firmly hold the handlebar to prevent the machine from moving forward too quickly and to allow enough time for the tines to dig deeply enough. Adjust engine speed to suit the tilling conditions. Remember that the rotating tines help to pull the machine forward. Use slower speeds and a shallow depth setting when learning to use the unit and whenever you are tilling on hard, rough or uneven ground.

5. Do not try to till too deeply in the first pass through sod or very hard ground. If the machine jumps or bucks, use a shallower depth setting and reduce the engine speed. With each successive pass, till more deeply.

6. Apply downward pressure on the handlebars for shallower tilling. Lift the handlebars to dig more deeply. If the machine stays and tills in one spot, try swinging the handlebars from side to side to start moving forward again.

7. For easier tilling, water very hard soil a few days before tilling. Avoid working soggy or wet soil. Wait a day or two after heavy rain for the ground to dry.

Cultivating

1. Cultivating is shallow tilling that disrupts weeds and aerates the upper crust of soil.
2. Do not till deeper than 1"-2" to avoid injuring nearby plant roots. Cultivate often, so that weeds do not grow large and cause needless tangling in the tines.
3. With careful planning, you can space the seed rows far enough apart to allow sufficient room for the machine to cultivate after the plants have grown.

Adjusting Tine Patterns

Depending upon the tilling project, you have a choice of three tine patterns:

Wide (Standard) Tine Pattern – As shipped from the factory, the unit is set up for general tilling and cultivating. This 10" wide tine pattern (the maximum tilling width) uses all four tine sections (A, Figure 9). See *Tine Removal and Installation* in Section 5 for detailed information on how to set up this tine pattern.

Narrow Tine Pattern – For a narrow, 4-1/2" tilling width, remove the outside tine section on the left- and right-sides (B, Figure 9). See *Tine Removal and Installation* in Section 5 for detailed information on how to set up this tine pattern.

Stony Soil Tine Pattern – When tilling deeply in stony soil, stones may become jammed between the inner tines and the machine hood. This pattern swaps the two inner tines to minimize jamming (C, Figure 9). See *Tine Removal and Installation* in Section 5 for detailed information on how to set up this tine pattern.

Section 4: Operation

Tilling Patterns

1. When preparing a seedbed, go over the same path twice in the first row, then overlap one-half the machine width on each successive pass (Figure 10).
2. After going up and down the rows in one direction, make second passes at a right angle across the original passes (Figure 11). Again, overlap each pass to thoroughly pulverize the entire seedbed area. In very hard ground, it may take three or four passes before the desired depth is achieved.
3. If your garden is not wide enough to till lengthwise and then crosswise, then first overlap by one-half the machine width, followed by successive passes at one-quarter machine width. This overlapping method assures thorough tilling.

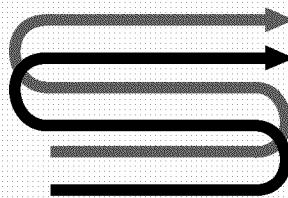


Figure 10: Use an overlap technique on every pass.

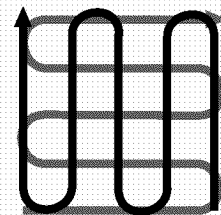


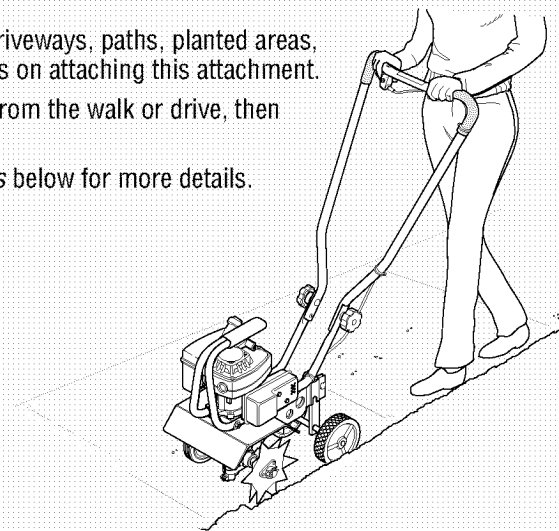
Figure 11: Make a second set of passes at a right angle over the first set of passes.

USING THE EDGER ATTACHMENT

The Edger Attachment makes clean, sharp edges next to walkways, driveways, paths, planted areas, patios, etc. See *Assembly Steps, STEP 4:* in Section 2 for instructions on attaching this attachment.

Take your time when edging. Decide how far away the edge is to be from the walk or drive, then slowly proceed using the walk or drive as your sight line.

Other attachments can be purchased separately. See *Attachments* below for more details.

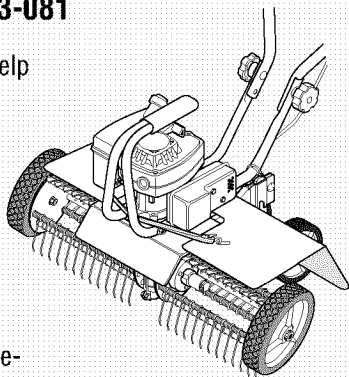


ATTACHMENTS

The following Tiller/Edger attachments are available where the Tiller/Edger was purchased. See your authorized dealer or contact the Factory for details.

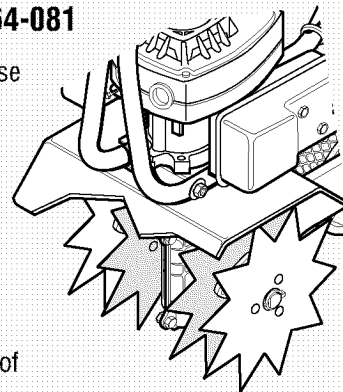
Power Lawn Rake Attachment – OEM-290-263 / 290-263-081

The Power Lawn Rake will help keep your lawn healthy and vigorous. Matted grass and debris not only looks unattractive, but stifles lawn growth and overall health. This attachment mounts without tools and features dozens of tempered steel “fingers” that spring off the surface to penetrate and loosen matted grass without disturbing root growth. An 18”-wide swath covers a large lawn area quickly.



Lawn Aerator Attachment – OEM-290-264 / 290-264-081

Helps promote healthy, dense lawns by aerating and loosening the soil to contribute to better root growth. Four tempered steel tines puncture the surface of the lawn, letting nutrients more easily reach the roots. Assembles without tools. When mounted, it takes the place of the standard tine sections.



⚠ WARNING

Before inspecting, cleaning or servicing the machine, shut off engine, let all moving parts come to a complete stop, disconnect the spark plug wire and move the wire away from the spark plug.

Failure to follow these instructions can result in personal injury or property damage.

EQUIPMENT MAINTENANCE

Transmission Maintenance

The transmission was lubricated at the factory and should not require any further lubrication.

However, you should check the lubricant level after the first five (5) hours of operation and every twenty-five (25) operating hours thereafter. If needed, use a high-quality, automotive-grade petroleum-base grease.

⚠ WARNING

Before tipping engine or equipment to service transmission, drain fuel from tank by running engine until fuel tank is empty.

To check the transmission:

1. Stop the engine, let it cool and disconnect the spark plug wire.
2. Place the machine down on its left side so the right end of the tine shaft faces up.
3. Remove the right-side tines (see *Tine Removal and Installation* in this Section).
4. Clean the transmission housing.
5. Remove the three threaded plugs (A, B and C, Figure 14) from the transmission. Lubricant should be visible in the top two

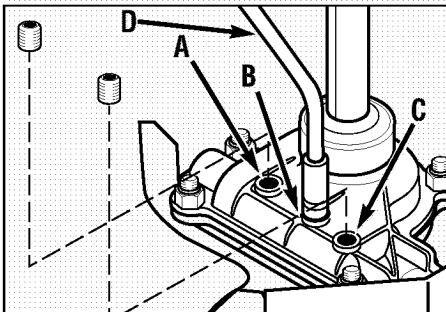


Figure 14: Transmission lubricant check and fill locations.

REQUIRED MAINTENANCE SCHEDULE					
REQUIRED MAINTENANCE	Before Each Use	After Each Use	Every 25 Hours	Every 75 Hours	End of Season
Check Tightness of Bolts and Nuts			•		
Clean Engine Cooling System	•				
Check Transmission Lubricant			• (1)		•
Service Air Filter			• (2)		
Inspect Spark Plug					• (3)
Clean Machine					•
Clean Engine Exhaust Ports (see Factory or authorized Dealer)				•	
Clean Tine Shaft		•			

(1) – After first five (5) hours of use.
 (2) – Clean daily when conditions are extremely dusty or dirty.
 (3) – Check spark plug annually or every 100 operating hours.

holes (B and C). If so, replace all three plugs. If lubricant is needed, proceed as follows.

To lubricate the transmission:

1. Place the nozzle of a standard grease gun (D, Figure 14) firmly against the rim of the middle hole (B) and add grease until it begins to seep from the bottom hole (A). Reinstall the plug in the bottom hole (A). Next apply grease to the top fill hole (C) until it begins to seep from the middle hole (B). Reinstall the plugs in the middle (B) and top (C) holes.
2. Before reinstalling the tines, use a fine grade sandpaper to clean any rust off the tine shaft. Apply a few drops of oil to the tine shaft to make future tine removal easier.

Other Lubrication Points

- Handlebar Adjustment Knobs: Spray occasionally with a silicone type lubricant.
- Throttle/Tines Lever Cable: Squeeze the lever closed and spray a lubricant into the cable area.
- Tine Shaft: After each use, remove the tines, clean the tine shaft with sandpaper and apply a light coat of oil to the tine shaft.

Hardware

Before each use, check that all hardware is in place and tightened securely.

ENGINE MAINTENANCE

Engine Lubrication

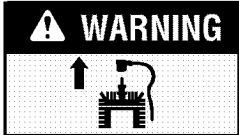
The engine is a two-cycle engine. Lubrication is provided by mixing two-cycle oil with unleaded regular gasoline as described in the *Assembly* Section. Attempting to operate the engine on gasoline alone will cause the engine to overheat and seize up.

Engine Air Filter

It is extremely important that air filter service be performed according to the maintenance schedule. Refer to the separate Engine Owner's Manual for inspection and cleaning instructions.

IMPORTANT: Never run engine without air filter assembly properly installed.

Section 5: Maintenance



WARNING Before inspecting, cleaning or servicing the machine, shut off engine, wait for moving parts to stop, disconnect spark plug wire and move wire away from spark plug. Failure to follow these instructions can result in serious personal injury or property damage.

Spark Plug

Inspect the spark plug annually or every 100 operating hours according to the instructions in the separate Engine Owner's Manual. Check that the gap is set at .030". For replacement use Champion RCJ-6Y or equivalent (a resistor spark plug must be used for replacement).

Cooling System

It is important to frequently check and remove grass clippings, dirt and other debris that accumulates on the engine, cooling fins, air intake screen and on levers and linkages. This helps to ensure adequate air cooling and correct engine speed.

TINE REMOVAL AND INSTALLATION

The tines will wear with use and they should be replaced if tilling seems to take longer than usual or if the soil is not being mixed as thoroughly. Also, in addition to the standard 10" tilling width tine configuration, the tines can be arranged in two other configurations: (1) A narrow, 4 1/2" tilling width for smaller areas and (2) A special pattern for stony soil conditions.

IMPORTANT: The hitch pin (A, Figure 15) is under spring tension – wear gloves to protect your fingers when removing or replacing the hitch pin.

Arranging Tines for Narrow Tilling

1. Prop the machine forward so it rests on the front of the tubular carrying handle. The work surface should be flat and firm.
2. Remove the hitch pin (A, Figure 15).

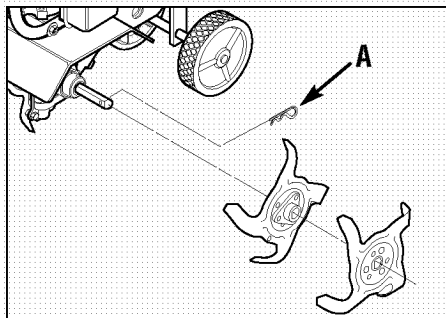


Figure 15: Remove hitch pin (A) to take off tines.

3. Remove the outer tine section (do not remove inner tine section) and mark it as to which side it is from (left or right) and whether it's an outer or inner tine section.
4. Slide one of the long bushings (B, Figure 16), provided with the unit, onto the shaft. Insert the hitch pin through the tine shaft.

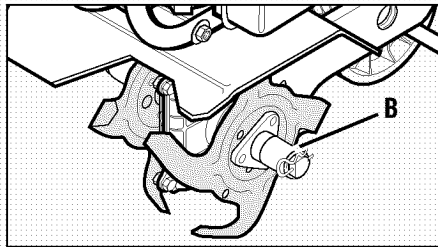


Figure 16: Narrow tilling tine positions.

5. Repeat this procedure on the opposite side.

Arranging Tines for Stony Soil Conditions

1. Prop the machine forward so it rests on the front of the tubular carrying handle. The work surface should be flat and firm.
2. Remove the hitch pin (A, Figure 15) from both sides of the unit. Remove both outer tine sections. Mark each section as a left or right side tine and whether it is an inner or outer section.
3. Remove the inner tine sections and swap their positions (the inner right-side section goes onto the left side of the machine, and the inner left-side goes onto the right side of the machine).
4. Reinstall the two outer tine sections on the sides from which they were removed (Figure 17).

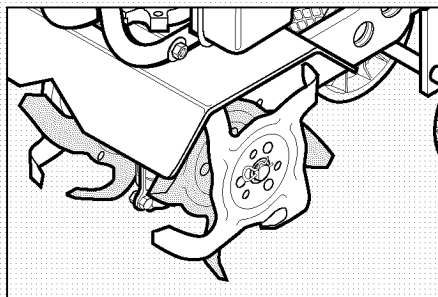


Figure 17: Stony soil tine pattern.

WARNING

Avoid contact with the cutting edges on the tines.

To avoid personal injury when removing or installing tines, wear heavy work gloves. The engine must be off, all moving parts stopped, and the spark plug wire disconnected from the spark plug and moved away from the plug.

5. Insert the hitch pins through the tine shafts.

To Replace Worn Tine Sections:

The tines are excessively worn if tilling takes much longer than before and the soil is not being mixed thoroughly enough.

1. Prop the machine forward so it rests on the front of the tubular carrying handle. The work surface should be flat and firm.
2. Remove the hitch pin (A, Figure 16) from both sides of the unit. Remove the old tine sections and replace them with new tine sections. Refer to Figure 16 and the tine pattern shown in the *Parts List* for tine pattern details. Insert the hitch pins through the tine shafts.

⚠ WARNING



Before inspecting, cleaning or servicing the machine, shut off engine, wait for moving parts to stop, disconnect spark plug wire and move wire away from spark plug.

Failure to follow these instructions can result in serious personal injury or property damage.

STORAGE

IMPORTANT: It is important to prevent gum deposits from forming in essential fuel system parts such as carburetor, fuel filter, fuel hose, or tank during storage. Also, experience indicates that alcohol-blended fuels (called gasohol or using ethanol or methanol) can attract moisture which leads to separation and formation of acids during storage. Acidic gas can damage the fuel system of an engine while in storage.

⚠ WARNING

- Never store your equipment when there is fuel mixture in the fuel tank.
- Never place your equipment near any source of sparks or open flame (such as from a hot water heater, a space heater or clothes dryer).

Failure to comply can result in serious personal injury or property damage.

reach the carburetor. Do not drain the gas tank and carburetor if using fuel stabilizer.

3. Let engine cool down after fuel mixture has been used up. Clean dirt and debris from engine cooling fins, linkage and other engine surfaces.

4. Pull starter handle slowly until resistance is felt due to compression pressure, then stop. Release starter tension slowly to prevent engine from reversing due to compression pressure. This position will close both the intake and exhaust ports to prevent corrosion of the piston and cylinder bore.

5. Remove tines. Clean all soil and debris from dust covers and tine shaft. Lubricate tine shaft with light oil. Replace tines.

6. Cover engine and store equipment in a dry, sheltered location.

Off-Season Storage Procedure


1. Drain the fuel tank of all of the gasoline/two-cycle oil mixture. **NOTE:** Do not use a fuel mixture that is older than one season in order to avoid varnish deposits throughout the fuel system. Dispose of the fuel mixture properly.

2. Start engine and run until fuel mixture is used up. This will prevent poor performance from stale fuel when your equipment is taken out of storage.

NOTE: If "Gasohol" has been used, complete above instructions and then put 1/2 pint of gasoline properly mixed with two-cycle oil (see Fuel Mixing Chart) into fuel tank and repeat above instructions.

NOTE: Fuel stabilizer (such as STA-BIL) is an acceptable alternative in minimizing the formation of fuel gum deposits during storage. Add stabilizer to the fuel mixture in the fuel tank or the fuel storage container. Always follow the mix ratio instructions on the stabilizer container. Run engine at least 10 minutes after adding stabilizer to allow the stabilizer to

Section 5: Maintenance

	<p>WARNING Before inspecting, cleaning or servicing the machine, shut off engine, wait for moving parts to stop, disconnect spark plug wire and move wire away from spark plug.</p> <p>Failure to follow these instructions can result in serious personal injury or property damage.</p>
---	--

TROUBLESHOOTING

Before performing any of the corrections in this Troubleshooting Chart, refer to the appropriate information contained in this Manual and the Engine Owner's Manual for the correct safety precautions and servicing procedures. Contact your local authorized Engine Service Dealer for engine service. Contact your local authorized dealer for service problems with the machine.

PROBLEM	POSSIBLE CAUSE	CORRECTIVE ACTION
Engine does not start.	<ol style="list-style-type: none"> 1. Spark plug wire disconnected. 2. Out of gas/two-cycle oil fuel mixture. 3. Stale fuel mixture. 4. Priming procedure not correct. 5. Dirty air filter(s). 6. Worn, corroded or broken spark plug. 7. On/Off Switch in OFF position. 	<ol style="list-style-type: none"> 1. Reconnect wire to spark plug. 2. Check fuel tank. Add fuel mixture. 3. Drain old mixture. Add fresh mixture. 4. Refer to starting procedure in manual. 5. Clean or replace air filters. 6. Replace spark plug. 7. Move On/Off Switch to ON.
Engine runs poorly or has low power under tilling conditions.	<ol style="list-style-type: none"> 1. Fouled spark plug. 2. Dirty air filter(s). 3. Stale fuel mixture. 4. Carburetor out of adjustment. 	<ol style="list-style-type: none"> 1. Remove, inspect, clean spark plug. 2. Clean or replace dirty air filters. 3. Drain old mixture. Add fresh mixture. 4. Adjust carburetor. See Manual.
Engine overheats.	<ol style="list-style-type: none"> 1. Engine cooling fins clogged. 2. Improper amount of oil in fuel mixture. 	<ol style="list-style-type: none"> 1. Remove dirt and debris from fins. 2. Drain tank; fill with correct mixture.
Tines stop rotating.	<ol style="list-style-type: none"> 1. Object wedged between tines and hood. 2. Internal transmission problem. 	<ol style="list-style-type: none"> 1. Remove wedged object. 2. Authorized service dealer.

SAFETY AND OPERATING DECALS

Decals are not shown at full size. See Parts List pages for reordering information.

WARNING

To Avoid Serious Injury:

- Read the Operator's Manual.
- Know the location and functions of all controls.
- Keep all safety devices and shields in place and working.
- Never allow children or uninstructed adults to operate machine.
- Shut off engine and disconnect spark plug wire before manually unclogging tines or making repairs.
- Keep bystanders away from machine.
- Keep away from rotating parts.
- Use extreme caution when reversing or pulling the machine towards you.

S90013

On top, left-side tine shield

Place Free Hand On Handlebar When Starting Engine.

100007

On right-side handlebar

WARNING


Hot surfaces can cause severe burns.

Do not touch muffler or adjacent areas.

S390647

On rear, left-side tine shield

WARNING




Keep away from rotating tines. Rotating tines will cause injury.

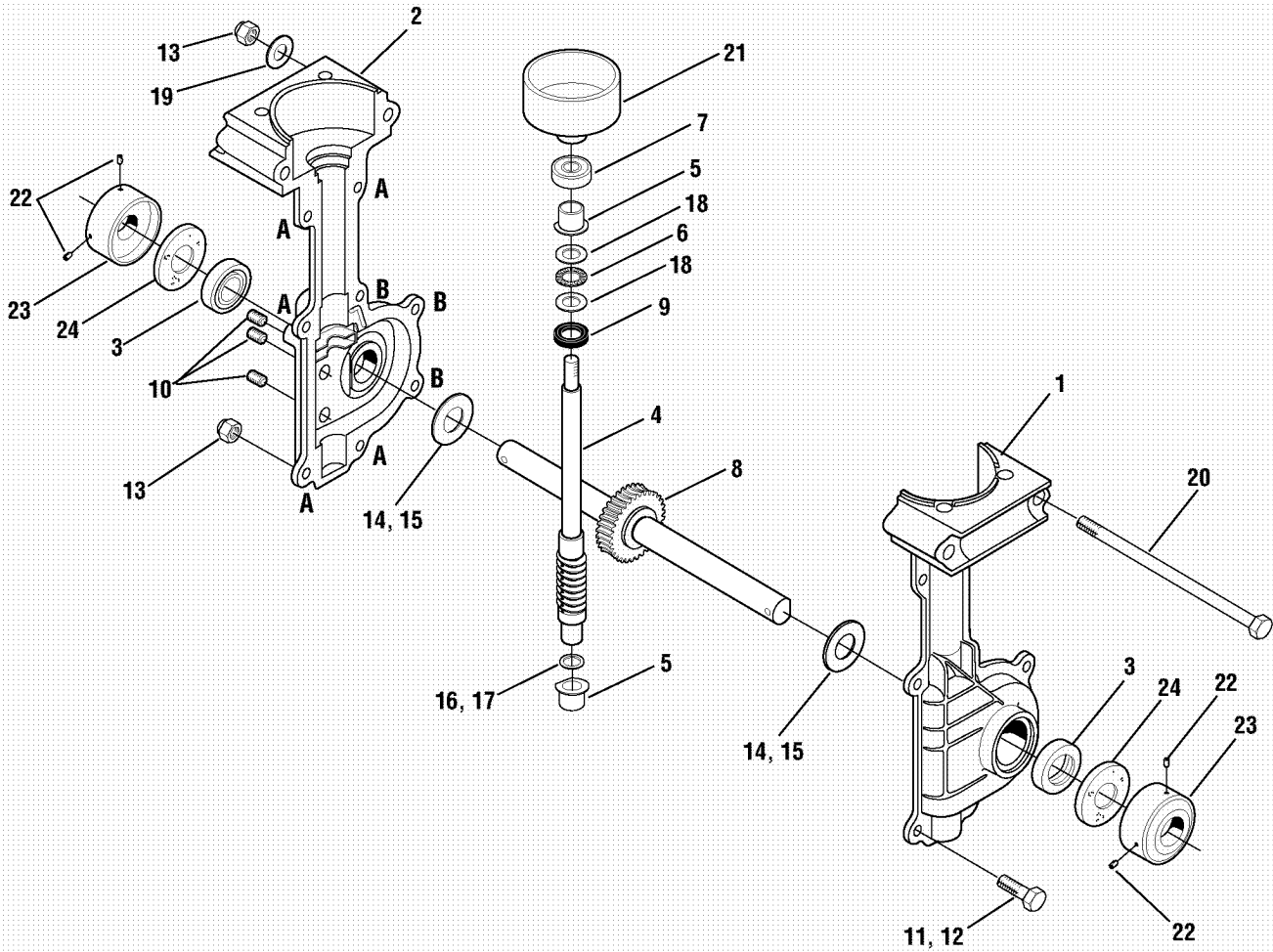
S00012

On rear, right-side tine shield

100009



On top of handlebar

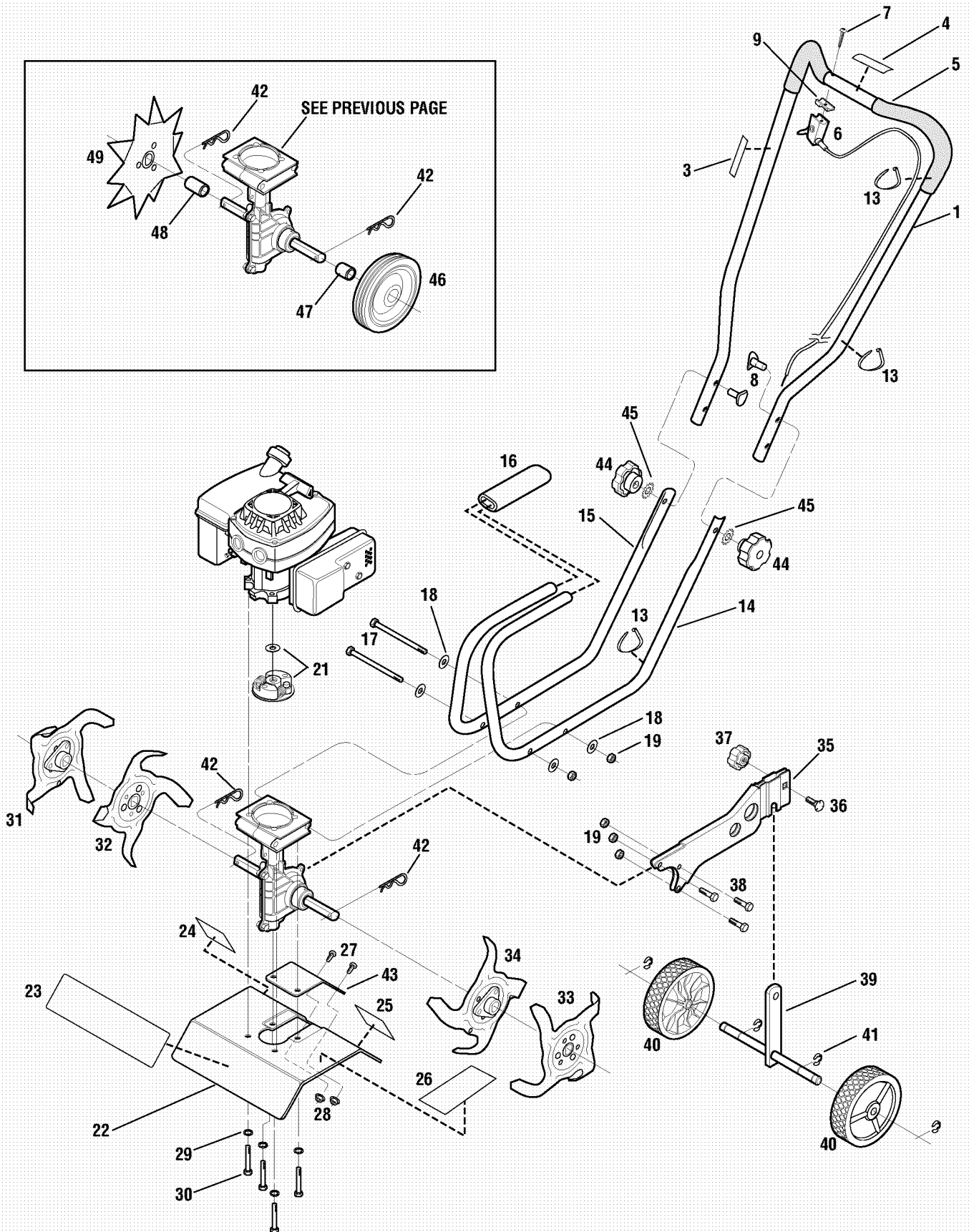


TRANSMISSION ASSEMBLY

Ref #	Part #	Description	Qty.
1	1915039	Transmission Case - left-side. (Incl. pressed-in bushing)	1
2	1915040	Transmission Case - right-side. (Incl. pressed-in bushing)	1
3	1983632	Oil Seal	2
4	1918307	Worm Input Shaft Assembly	1
5	1983731	Input Bearing	2
6	1983636	Thrust Bearing	1
7	1983637	Ball Bearing	1
8	1904416	Worm Gear Shaft Assembly	1
9	1909923	Oil Seal, Input	1
10	1185741	Plug, 1/8	3
11	710-0206	Hex Screw, 1/4-20 x 7/8	5

Ref #	Part #	Description	Qty.
13	712-0324	Locknut, Nyloc, 1/4"-20	8
14	1983635	Thrust Washer, output (.050")	A/R
15	1983640	Thrust Washer, output (.040")	A/R
16	1983641	Thrust Washer, input (.020")	A/R
17	1983642	Thrust Washer, input (.035")	A/R
18	1983638	Thrust Washer	2
19	736-0463	Flat Washer, .25 x .630 x .0515	2
20	1983663	Hex Hd. Screw, 1/4-20 x 5	2
21	1909486	Clutch Drum and Hub	1
22	1747166	Set Screw, 1/4-28 x 3/8	4
23	1915055	Dust Cover	2
24	1983713	Felt Washer	2

A/R – As Required



Ref #	Part #	Description	Qty.
1	1918303	Handlebar Assembly	1
3	777100007	Decal - Starting Stabilization	1
4	777100009	Decal - Throttle/Tines Lever Operation	1
5	1917451	Handlebar Grip, PVC	2
6	1918123	Throttle/Tines Lever and Cable	1
7	1750608	Pan Hd. Screw, #10-16 x 1-1/2	1
8	1731025	Saddle Hd. Screw, 5/16-18 x 2	2
9	1909775	Spacer, Throttle/Tines Lever	1
13	1763682	Plastic Wire Tie	3
14	1918120	Lower Handlebar - Left-Side	1
15	1918121	Lower Handlebar - Right-Side	1
16	1909720	Foam Sleeve	1
17	1983663	Hex Hd. Screw, 1/4-20 x 5	2
18	1107381	Flat Washer, 1/4-20	2
19	712-0324	Hex Locknut, 1/4-20	5
21	1909487	Clutch Rotor and Washer	1
22	1918124	Tine Shield	1
23	777D06104	Decal - Logo	1
24	777S00012	Decal - Warning, Rotating Tines	1
25	777S30647	Decal - Warning, Hot Surfaces	1
26	777S00013	Decal - Caution, Operation Hazards	1
27	1186292	Hex Hd. Screw, #10-24 x 1/2	2
28	1186387	Flange Locknut, #10-24	2
29	736-0329	Lock Washer, 1/4-20	4

Ref #	Part #	Description	Qty.
30	710-0501	Hex Cap Screw, 1/4-20 x 2	4
31	1909540	Outer Tine - Right-Hand Side	1
32	1909539	Inner Tine - Right-Hand Side	1
33	1909712	Outer Tine - Left-Hand Side	1
34	1909711	Inner Tine - Left-Hand Side	1
35	1909680	Wheel Bracket	1
36	GW-90077	Carriage Bolt	1
37	1909835	Knob	1
38	710-0206	Hex Hd. Screw, 1/4-20 x 1	3
39	1909517	Axle	1
40	1917754	Wheel	2
41	GW-9532	E-Ring	4
42	1185590	Hitch Pin	2
43	1981022	Tine Hood Cover	1
44	1763767	Knob	2
45	1177038	Lock Washer, 5/16	2

EDGER ATTACHMENT

46	1903777	Edger Wheel	1
47	1903778	Bushing - Short	1
48	1983648	Bushing - Long	2
49	1915054	Edger Tine	1

* Order parts from your local authorized engine dealer. Refer to engine nameplate for model/type number.

Notes

Notes

MANUFACTURER'S LIMITED WARRANTY FOR:



The limited warranty set forth below is given by Troy-Bilt LLC with respect to new merchandise purchased and used in the United States, its possessions and territories.

Troy-Bilt LLC warrants this product against defects for a period of two (2) years commencing on the date of original purchase and will, at its option, repair or replace, free of charge, any part found to be defective in materials or workmanship. This limited warranty shall only apply if this product has been operated and maintained in accordance with the Operator's Manual furnished with the product, and has not been subject to misuse, abuse, commercial use, neglect, accident, improper maintenance, alteration, vandalism, theft, fire, water, or damage because of other peril or natural disaster. Damage resulting from the installation or use of any accessory or attachment not approved by Troy-Bilt LLC for use with the product(s) covered by this manual will void your warranty as to any resulting damage.

Normal wear parts or components thereof are subject to separate terms as follows: All normal wear parts or component failures will be covered on the product for a period of 90 days regardless of cause. After 90 days, but within the two year period, normal wear part failures will be covered ONLY IF caused by defects in materials or workmanship of OTHER component parts. Normal wear parts and components include, but are not limited to: batteries, belts, blades, blade adapters, grass bags, rider deck wheels, seats, snow thrower skid shoes, shave plates, auger spiral rubber, tires.

HOW TO OBTAIN SERVICE: Warranty service is available, WITH PROOF OF PURCHASE, through your local authorized service dealer. To locate the dealer in your area, check your Yellow Pages, or contact Troy-Bilt LLC at P.O. Box 361131, Cleveland, Ohio 44136-0019, 1-866-840-6483, or log on to our Web site at www.troybilt.com.

This limited warranty does not provide coverage in the following cases:

- a. The engine or component parts thereof. These items carry a separate manufacturer's warranty. Refer to the applicable manufacturer's warranty for terms and conditions.
- b. Log splitter pumps, valves, and cylinders have a separate one year warranty.
- c. Routine maintenance items such as lubricants, filters, blade sharpening, tune-ups, brake adjustments, clutch adjustments, deck adjustments, and normal deterioration of the exterior finish due to use or exposure.

- d. Troy-Bilt LLC does not extend any warranty for products sold or exported outside of the United States, its possessions and territories, except those sold through Troy-Bilt LLC's authorized channels of export distribution.
- e. Parts that are not genuine Troy-Bilt parts are not covered by this warranty.
- f. Service completed by someone other than an authorized service dealer is not covered by this warranty.
- g. Transportation charges and service calls are not covered.

No implied warranty, including any implied warranty of merchantability of fitness for a particular purpose, applies after the applicable period of express written warranty above as to the parts as identified. No other express warranty, whether written or oral, except as mentioned above, given by any person or entity, including a dealer or retailer, with respect to any product, shall bind Troy-Bilt LLC. During the period of the warranty, the exclusive remedy is repair or replacement of the product as set forth above.

The provisions as set forth in this warranty provide the sole and exclusive remedy arising from the sale. Troy-Bilt LLC shall not be liable for incidental or consequential loss or damage including, without limitation, expenses incurred for substitute or replacement lawn care services or for rental expenses to temporarily replace a warranted product.

Some states do not allow the exclusion or limitation of incidental or consequential damages, or limitations on how long an implied warranty lasts, so the above exclusions or limitations may not apply to you.

In no event shall recovery of any kind be greater than the amount of the purchase price of the product sold. **Alteration of the safety features of the product shall void this warranty.** You assume the risk and liability for loss, damage, or injury to you and your property and/or to others and their property arising out of the misuse or inability to use the product.

This limited warranty shall not extend to anyone other than the original purchaser or to the person for whom it was purchased as a gift.

HOW STATE LAW RELATES TO THIS WARRANTY: This limited warranty gives you specific legal rights, and you may also have other rights which vary from state to state.

TROY-BILT LLC, P.O. BOX 361131, CLEVELAND, OHIO 44136-0019, 1-866-840-6483