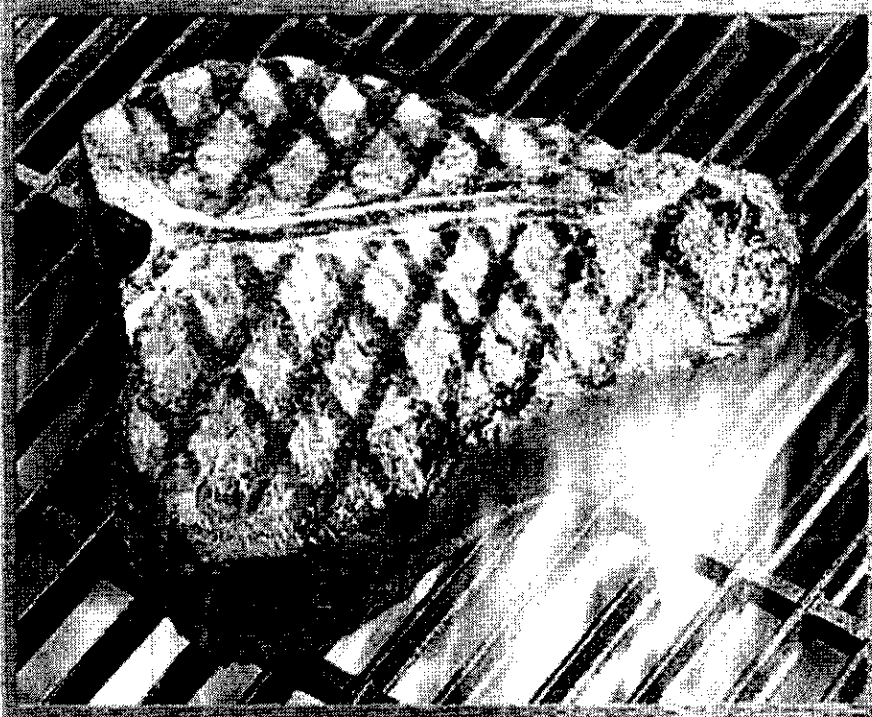


**NOTHING
SHOULD COME BETWEEN
A MAN
AND HIS FLAME.**



463941404 / 0-4165440 (03-05-04)

QUICKSET®

463941404

ASSEMBLY MANUAL



**THIS GRILL IS FOR
OUTDOOR USE ONLY**

CAUTION: Read and follow all safety statements, assembly instructions, and use and care directions before attempting to assemble and cook.

INSTALLER/ASSEMBLER: Leave these instructions with consumer.

CONSUMER: Keep this manual for future reference.

▲ WARNING

Failure to follow all manufacturer's instructions could result in serious personal injury and/or property damage.

▲ CAUTION

Some parts may contain sharp edges – especially as noted in the manual! Wear protective gloves if necessary.

If you have any questions or need assistance during assembly, please call 1-800-241-7548.

Visit us on the web at:
www.charbroil.com

Char-Broil

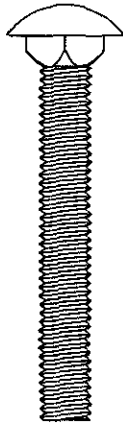
KEEPERS OF THE FLAME
COLUMBUS, GA

1

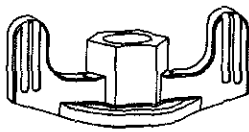
Parts to assemble:

- 2 Leg Assembly
- 1 Front Panel
- 1 Side Support Brace
- 4 Carriage Bolt, 2"
- 4 Plastic Tee Knob

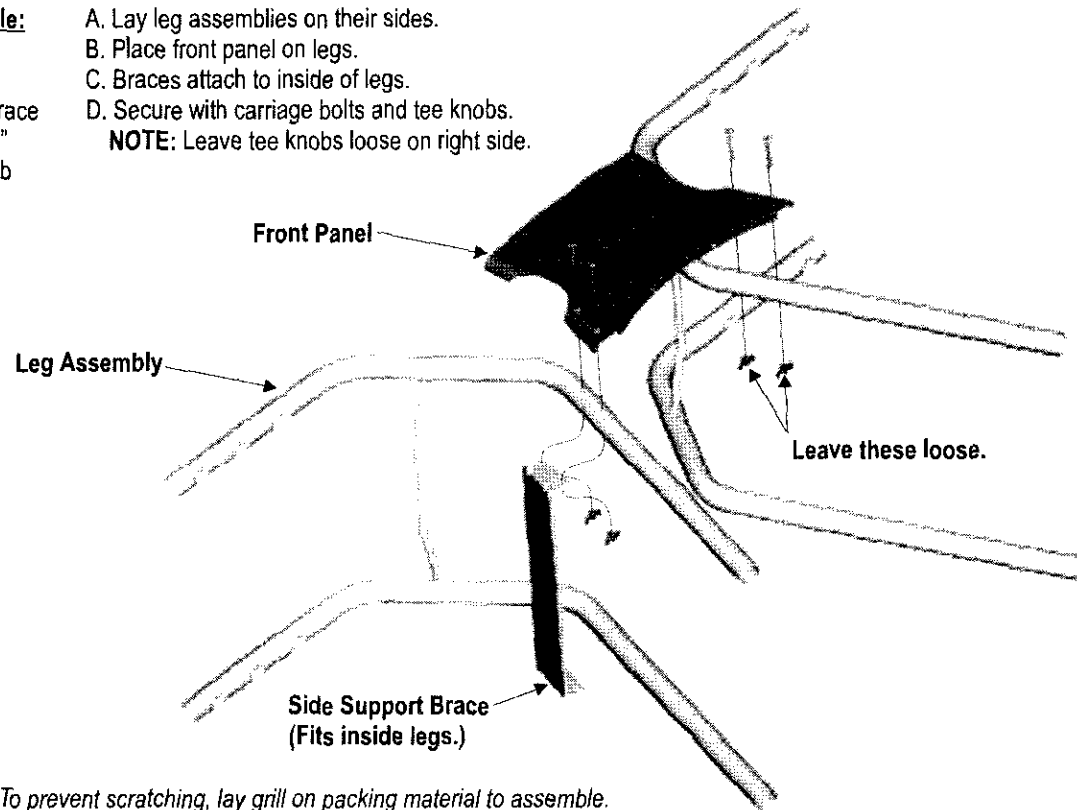
- A. Lay leg assemblies on their sides.
 - B. Place front panel on legs.
 - C. Braces attach to inside of legs.
 - D. Secure with carriage bolts and tee knobs.
- NOTE:** Leave tee knobs loose on right side.



Qty. 4



Qty. 4

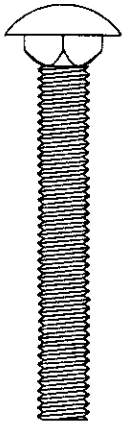


NOTE: To prevent scratching, lay grill on packing material to assemble.

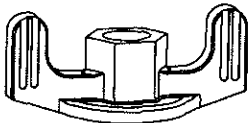
2

Parts to assemble:

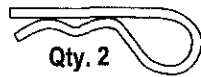
- 1 Back Support Brace
- 4 Carriage Bolt, 2"
- 4 Plastic Tee Knob
- 2 Wheel Assembly
- 1 Tank Support Bracket
- 2 Hitch Pin
- 2 Leg Extender



Qty. 4

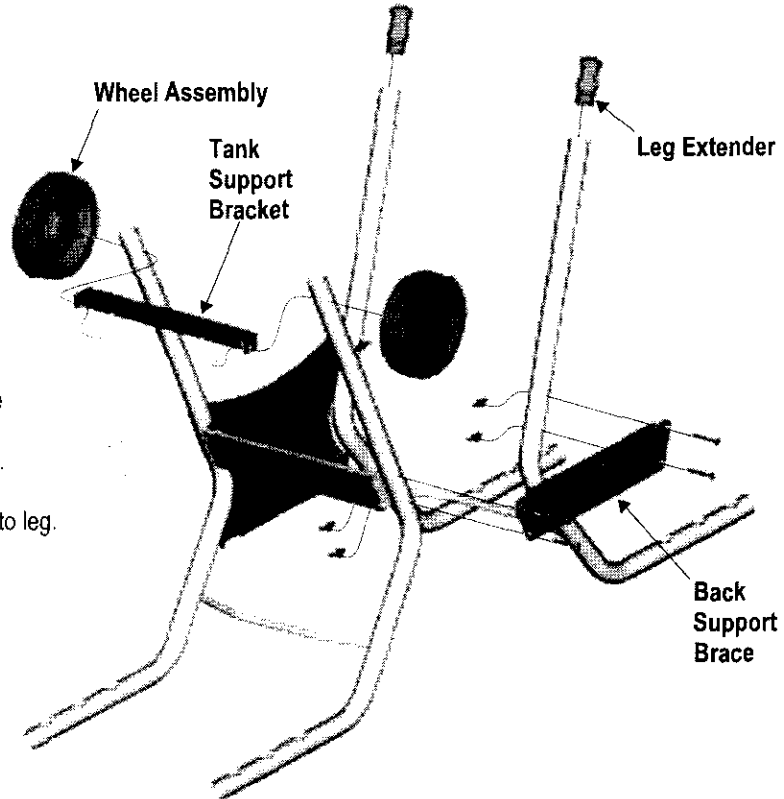


Qty. 4



Qty. 2

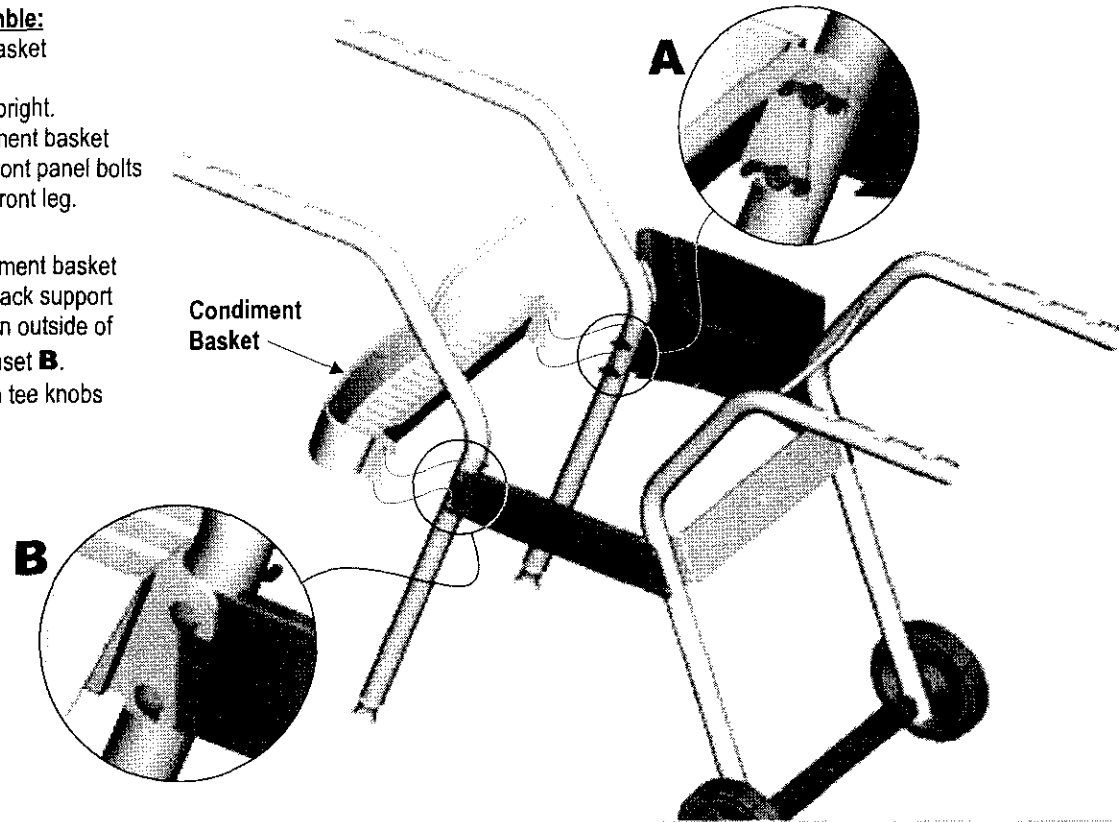
- A. Turn assembly upside-down.
- B. Secure back brace and side brace to left leg and back brace to right leg with carriage bolts and tee knobs. **NOTE:** Leave tee knobs loose on right side.
- C. Insert wheel assemblies into legs and bracket. Bracket fits inside legs.
- D. Secure with hitch pin in axle bolt hole closest to leg.
- E. Push leg extenders into right legs.



3

Parts to assemble:
1 Condiment Basket

- A. Stand cart upright.
- B. Place condiment basket hooks over front panel bolts on inside of front leg. See inset **A**.
- C.. Place condiment basket hooks over back support brace bolts on outside of brace. See inset **B**.
- D.. Fully tighten tee knobs on both legs.



4

Parts to assemble:

- 1 Grill Bottom Assembly
- 4 Carriage Bolt, 1 1/4"
- 4 Metal Wing Nut
- 2 Control Knob

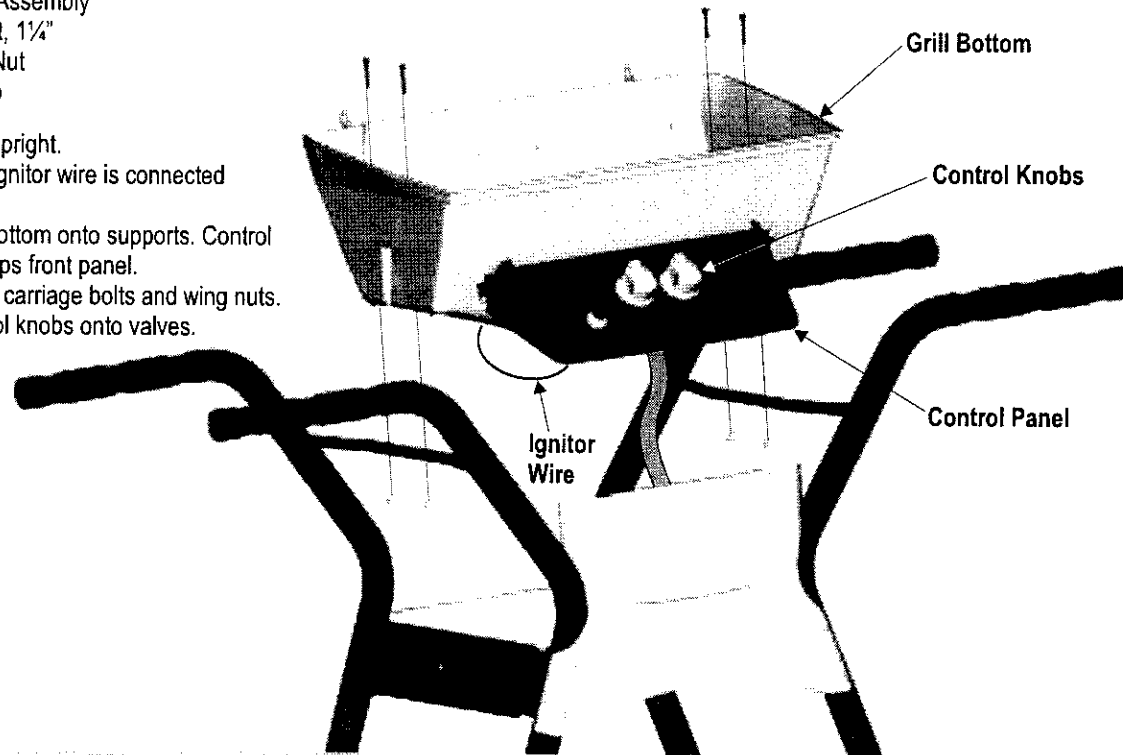
- A. Stand cart upright.
- B. Make sure ignitor wire is connected to ignitor.
- C. Place grill bottom onto supports. Control panel overlaps front panel.
- D. Secure with carriage bolts and wing nuts.
- E. Press control knobs onto valves.



Qty. 4



Qty. 4

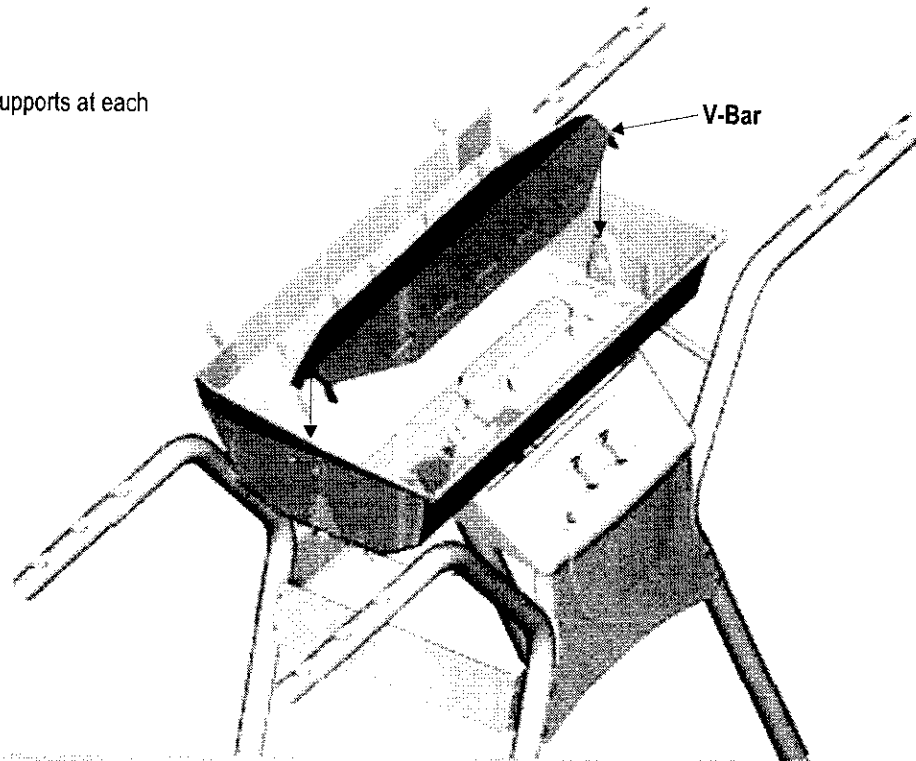


5

Parts to assemble:

1 V-Bar

A. Place V bar onto supports at each end of grill bottom.



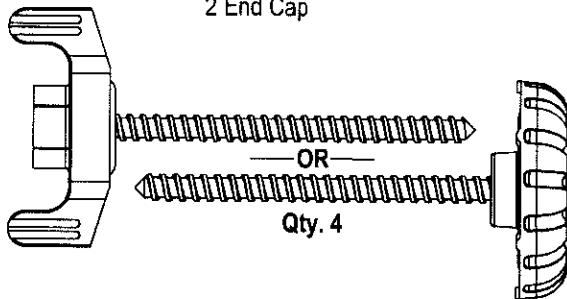
NOTE:
Ceramic briquets are not required.

6

Parts to assemble:

- 1 Side Shelf
- 4 Wing Screw or
Crown Screw
- 2 End Cap

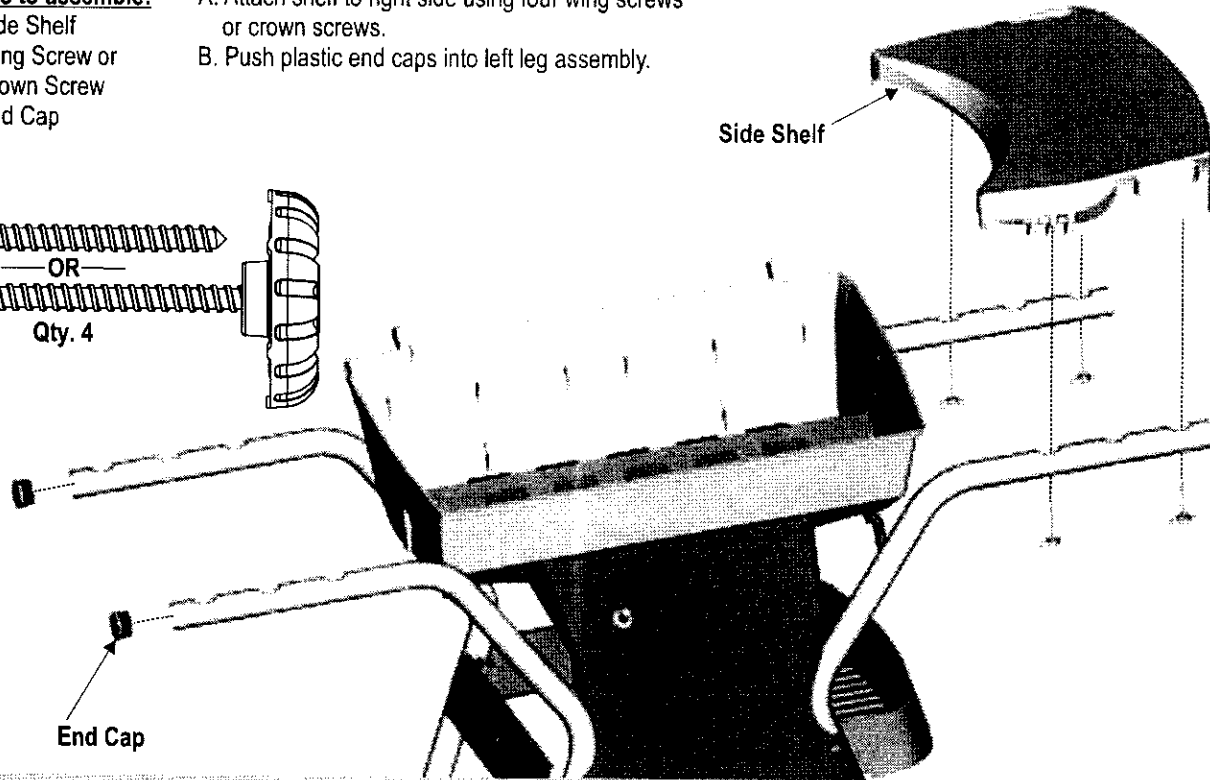
- A. Attach shelf to right side using four wing screws
or crown screws.
- B. Push plastic end caps into left leg assembly.



Qty. 4

End Cap

Side Shelf

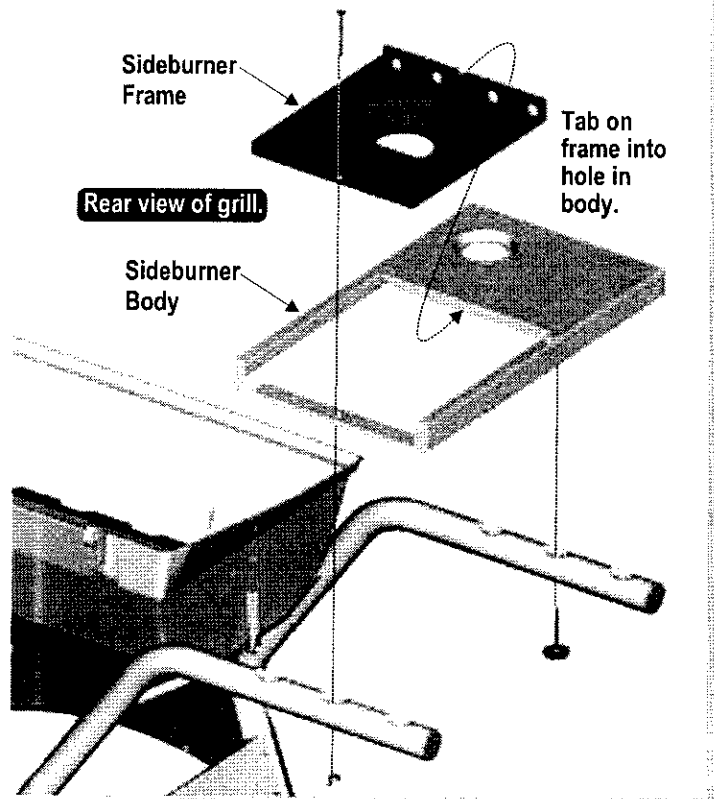
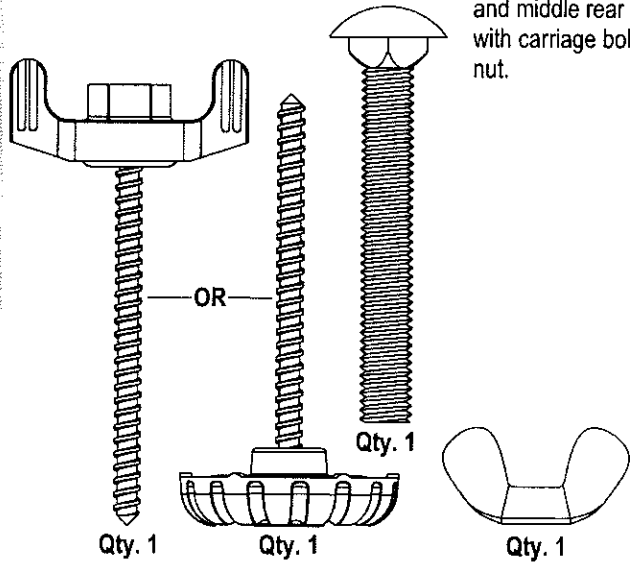


7

Parts to assemble:

- 1 Sideburner Body
- 1 Sideburner Frame
- 1 Crown Screw or Wing Screw
- 1 Carriage Bolt, 2"
- 1 Metal Wing Nut

- A. Place sideburner body onto legs. Insert crown screw or wing screw through leg, middle hole in tool holder, and into body.
- B. Insert tab on front of sideburner frame into body, then align the rear frame hole, rear body hole, and middle rear leg hole. Secure with carriage bolt and metal wing nut.



8

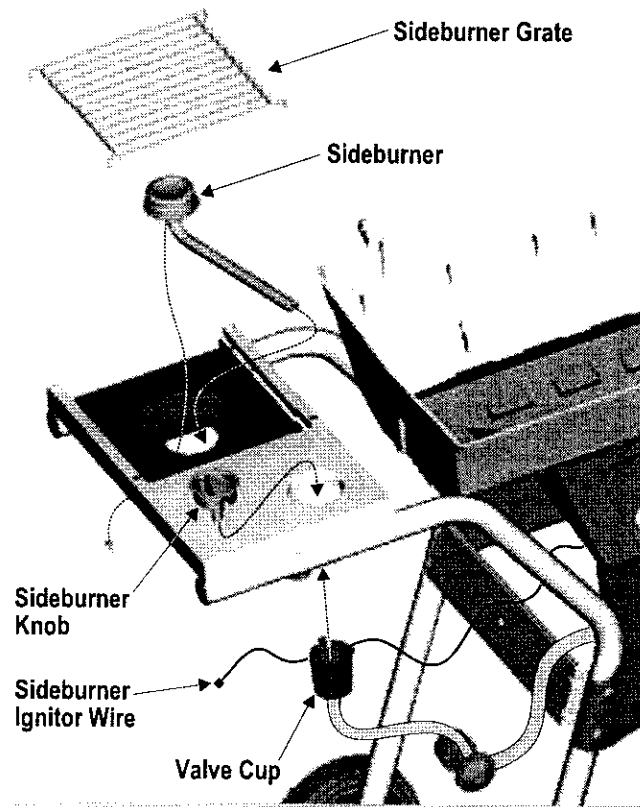
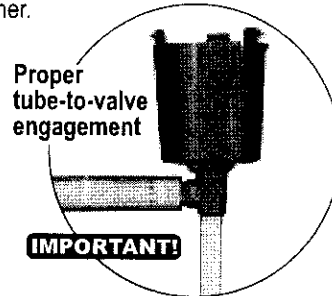
Parts to assemble:

- 1 Sideburner
- 1 Sideburner Grate
- 1 Sideburner Knob
- 1 Metal Wing Nut

- Insert sideburner tube into frame, placing threaded stud on bottom of burner into small hole in frame. Attach from beneath with metal wing nut. Do not fully tighten.
- Insert sideburner valve (attached to valve cup) into burner tube, then snap cup into sideburner body. **Note proper engagement in inset below.**
- Press sideburner knob onto valve stem.
- After ensuring proper tube/valve engagement**, fully tighten burner wing nut.
- Place sideburner grate onto body.
- Locate the long sideburner ignitor wire (attached to ignitor behind control panel). Route wire over side support brace and attach to electrode on bottom of sideburner.



Qty. 1

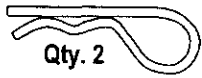
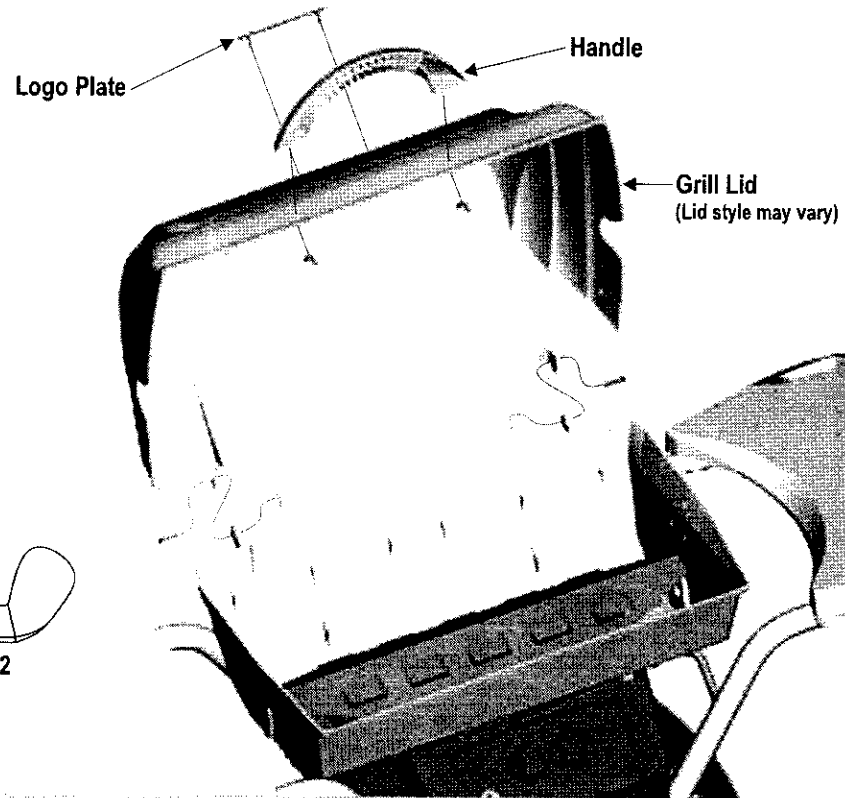


9

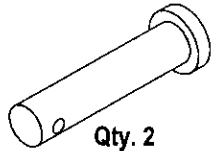
Parts to assemble:

- 1 Grill Lid
- 1 Handle
- 1 Logo Plate
- 2 Metal Wing Nut
- 2 Hinge Pin
- 2 Hitch Pin

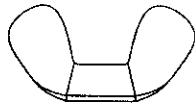
- A. Attach lid to grill bottom with hinge and hitch pins.
- B. Attach handle to lid with two metal wing nuts.
- C. Snap logo plate into lid.



Qty. 2



Qty. 2



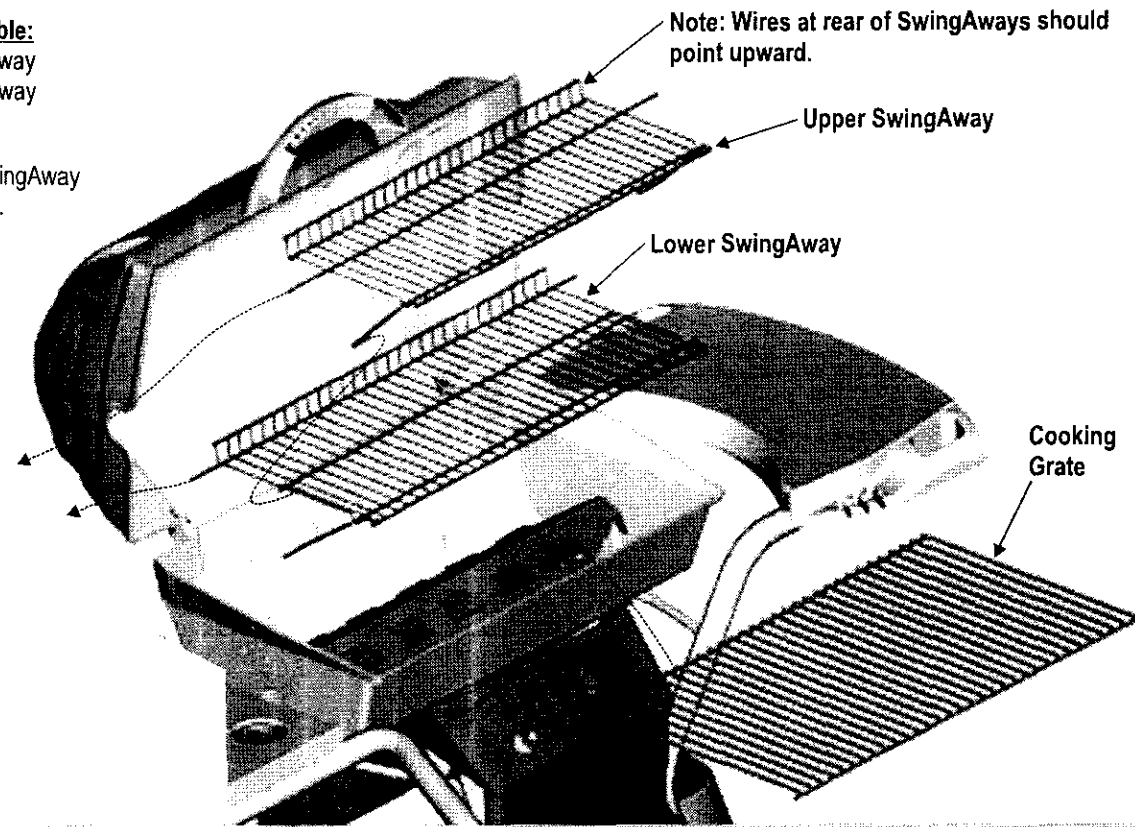
Qty. 2

10

Parts to assemble:

- 1 Upper SwingAway
- 1 Lower SwingAway
- 1 Cooking Grate

- A. Slide rear pivot wire of lower SwingAway into lower holes in side of grill lid.
- B. Insert leg wires into top hole of three-hole pattern in side of grill bottom.
- C. Slide rear pivot wire of upper SwingAway into middle holes in side of grill lid.
- D. Insert leg wires into loop on sides of lower warming rack.
- E. Place cooking grate onto grate rests in grill bottom.

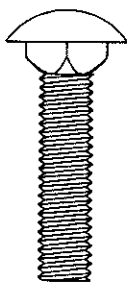


11

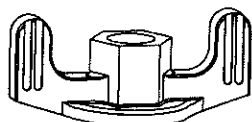
Parts to assemble:

- 1 Tank Retainer Wire
- 1 Carriage Bolt, 1/4"
- 1 Plastic Tee Knob

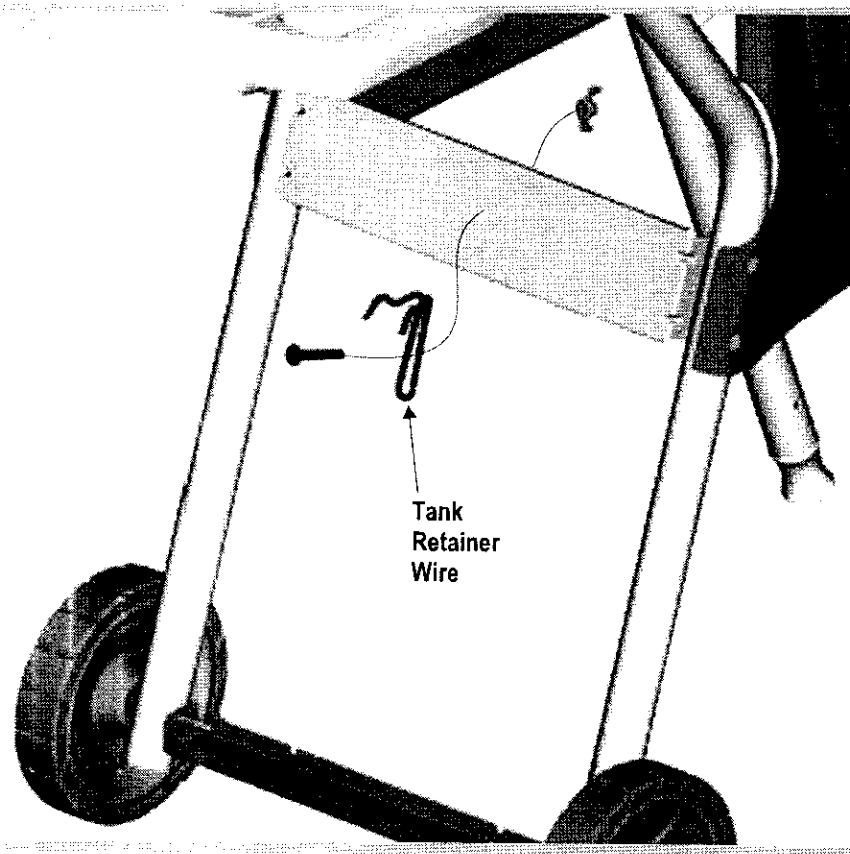
A. Attach retainer wire to side brace with carriage bolt and tee knob. Leave loose.



Qty. 1



Qty. 1



12

Parts to assemble:
1 LP Gas Tank
(Not included)

LP tank is sold separately. Fill and leak check before attaching to grill and regulator.

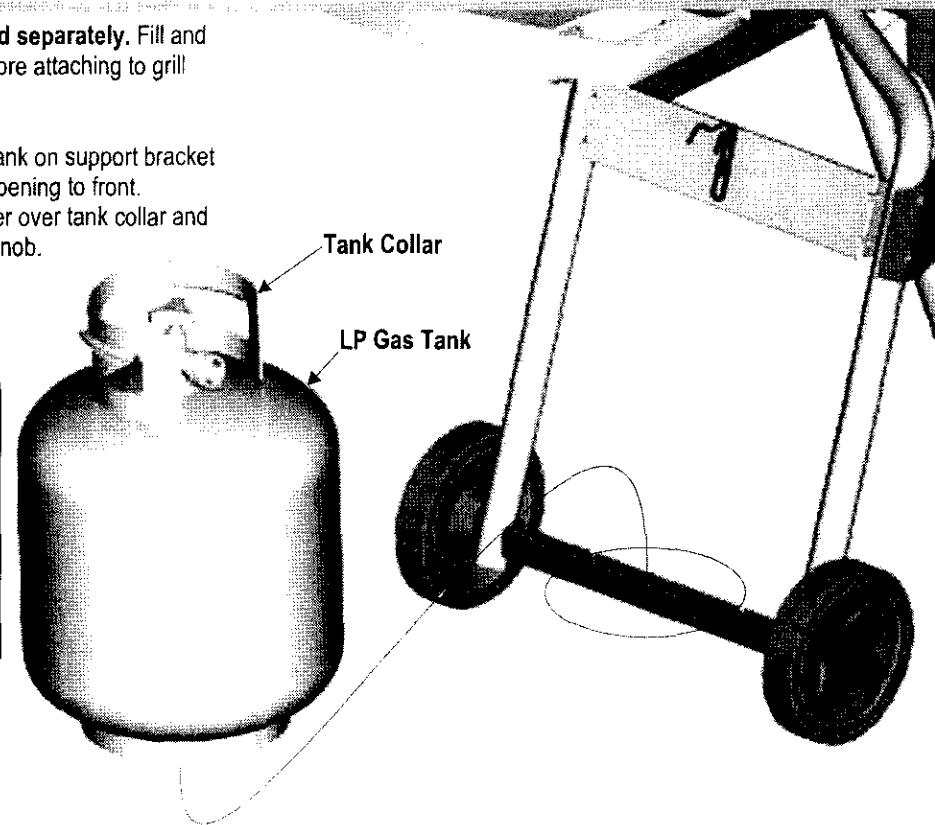
- A. Center LP tank on support bracket with collar opening to front.
- B. Slide retainer over tank collar and tighten tee knob.



Tank collar opening must face to front of cart once tank is attached.

Failure to install tank correctly may allow gas hose to be damaged in operation, resulting in the risk of fire.

See Use & Care manual to perform the “Burner Flame Check” and for important safety instructions before using.





13

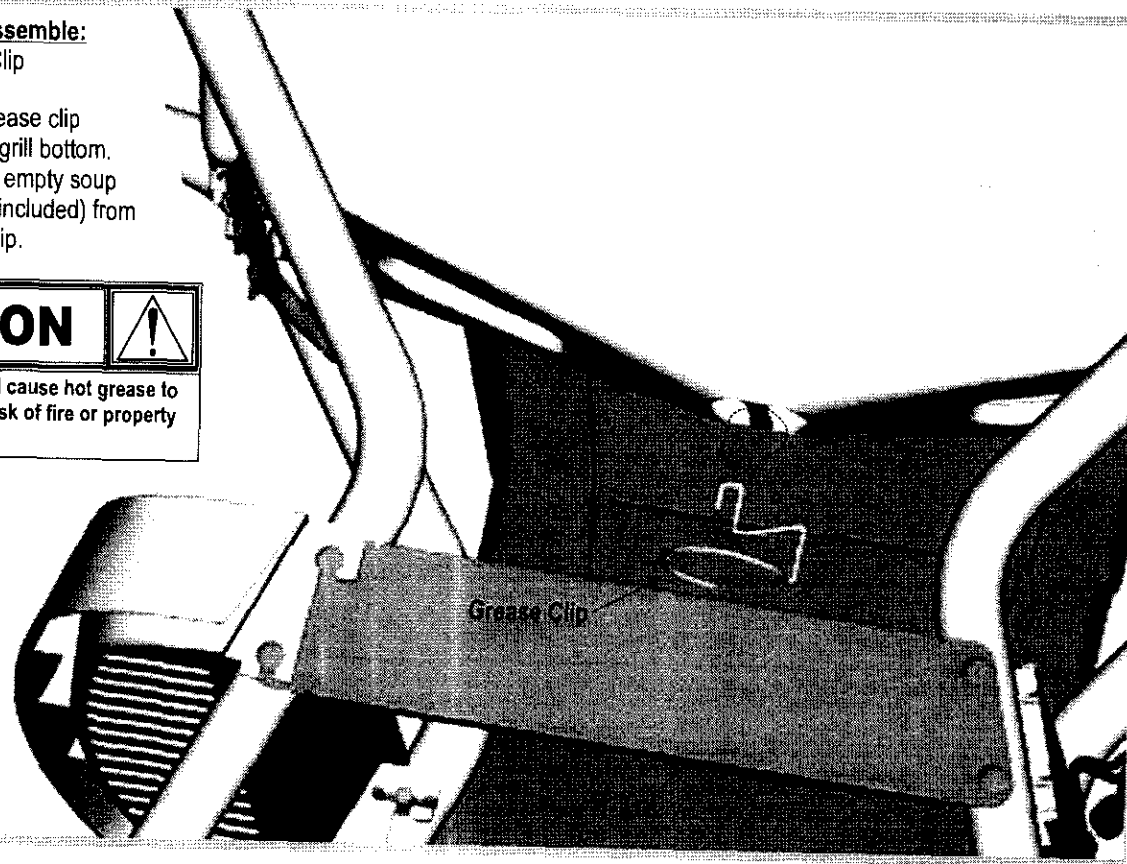
Parts to assemble:

1 Grease Clip

- A. Hang grease clip beneath grill bottom.
- B. Hang an empty soup can (not included) from grease clip.

	CAUTION	
<p>• Failure to install can in clip will cause hot grease to drip from bottom of grill with risk of fire or property damage.</p>		

Rear view
of grill.



Parts List - Model 463941404

<u>Key</u>	<u>Qty.</u>	<u>Description</u>	<u>Part #</u>	<u>Key</u>	<u>Qty.</u>	<u>Description</u>	<u>Part#</u>
A	1	Upper SwingAway	4156450	W	1	Tank Retainer Wire	4151018
B	1	Lower SwingAway	4152000	X	1	Sideburner Knob	4154471
C	1	Condiment Basket	4154271	Y	1	Logo Plate	4157147
D	1	Side Shelf	4154542	Z	1	Sideburner	5068026
E	1	Handle	4154474	AA	1	Grease Clip	5156607
F	1	Sideburner Grate	4156376	BB	1	Cooking Grate	4152742
G	2	Wheel Assembly	4310002	CC	2	Leg Extender	4154540
H	1	Back Support Brace	4500250		1	Hardware Bag, Cart	4254079
I	1	V-Bar	4500292		1	Hardware Bag, Shelf	4254050
J	1	Sideburner Frame	4501705		1	Hardware Bag, Sideburner	4254086
K	1	Tank Support Bracket	4503122				
L	2	Leg Assembly	4503286				
M	1	Front Panel	4503116				
N	1	Side Support Brace	4503120				
O	1	Sideburner Body	4310005				
P	4	#10x1/2", T-20, Self-Tap Screw	4080043				
Q	2	Valve Clip	4151043				
R	1	Burner/Collector Assembly	4505085				
S	1	Control Panel Assembly	4530241				
T	2	Control Knob	4154470				
U	1	Grill Bottom	4580796				
V	1	Grill Lid	4580105				

Optional Assembly Hardware

We realize some customers prefer to use tools. **Optional hex nuts** have been provided for you to use.

