

Operator's Manual

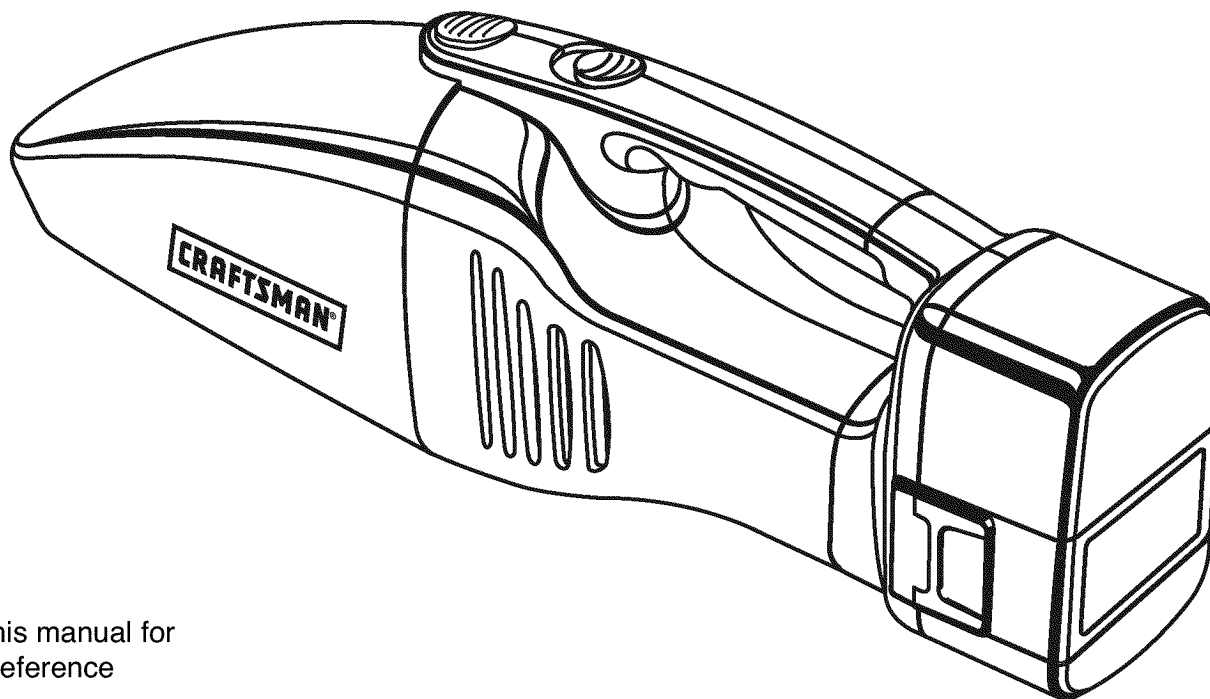


14.4 VOLT CORDLESS HAND VAC

Model No.
315.114460

Important Information:

- Charge battery pack before first use
- Use only charger provided
- Always use hand vac with filter installed



Save this manual for
future reference

⚠ WARNING: To reduce the risk of injury, the user must read and understand the operator's manual before using this product

Customer Help Line: 1-800-932-3188

Sears, Roebuck and Co., 3333 Beverly Rd., Hoffman Estates, IL 60179 USA
Visit the Craftsman web page: www.sears.com/craftsman

- Safety
- Features
- Operation
- Maintenance
- Parts List



TABLE OF CONTENTS

■ Table of Contents	2
■ Warranty	2
■ Important Safety Instructions	3
■ Important Safety Instructions For Charger	4
■ Features	5
■ Operation	6-8
■ Accessories	8
■ Maintenance	9
■ Exploded View And Repair Parts List	11
■ Parts Ordering / Service	12

WARRANTY


FULL ONE YEAR WARRANTY ON CRAFTSMAN CORDLESS HAND VAC

If this **CRAFTSMAN** Cordless Hand Vac fails to give complete satisfaction within one year from the date of purchase, **RETURN IT TO THE NEAREST SEARS STORE OR SEARS SERVICE CENTER IN THE UNITED STATES**, and Sears will repair it, free of charge.

If this **CRAFTSMAN** Cordless Hand Vac is used for commercial or rental purposes, this warranty applies for only 90 days from the date of purchase.

This warranty gives you specific legal rights, and you may also have other rights which vary from state to state.

Sears, Roebuck and Co., Dept. 817 WA, Hoffman Estates, IL 60179

 Look for this symbol to point out important safety precautions. It means attention!!! Your safety is involved.

 **WARNING:**



The operation of any power tool can result in foreign objects being thrown into your eyes, which can result in severe eye damage. Before beginning power tool operation, always wear safety goggles or safety glasses with side shields and a full face shield when needed. We recommend Wide Vision Safety Mask for use over eyeglasses or standard safety glasses with side shields, available at Sears Retail Stores. Always wear eye protection which is marked to comply with ANSI Z87.1.

SAFETY AND INTERNATIONAL SYMBOLS

This operator's manual describes safety and international symbols and pictographs that may appear on this product. Read the operator's manual for complete safety, assembly, operating and maintenance, and repair information.



MEANING



Do not expose to rain or use in damp locations.

IMPORTANT SAFETY INSTRUCTIONS

When using any electrical appliance, basic precautions should always be followed, including the following:


READ ALL INSTRUCTIONS BEFORE USING

WARNING! To reduce the risk of fire, electric shock, or injury:

-  **WARNING: ELECTRIC SHOCK COULD OCCUR IF CHARGED OUTDOORS OR ON WET SURFACES.**
 -  **WARNING:** A damaged battery is subject to explosion. To avoid serious personal injury, properly dispose of a damaged battery.
 - **Do not** allow children to operate Hand Vac or play with Hand Vac as a toy. Close attention is necessary when used near children.
 - This Hand Vac is intended for household use **ONLY**.
 - Use this Hand Vac **ONLY** for its intended use as described in this manual. Use only the attachments recommended in this manual.
 - **Do not** use charger with damaged cord or plug. If Hand Vac is not working properly, has been dropped, damaged, left outdoors, or dropped into water, return to your nearest Sears Service Center.
 - **Do not** abuse cord. Never carry charger or base by the cord or yank to disconnect from electrical outlet. Grasp charger, not the cord, and pull to unplug. Do not allow cord to hang over edge of table or counter or to touch hot surfaces.
 - **Do not** use an extension cord unless absolutely necessary. Plug charger directly into electrical outlet.
 - **Do not** handle charger or Hand Vac with wet hands.
 - **Do not** use for wet pick-up. Hand Vac is for dry pick-up only.
 - **Do not** put any objects in ventilation openings. Do not use with any opening blocked: keep openings free of dust, lint, hair, and anything that may reduce air flow.
 - Keep hair, loose clothing, fingers, and all parts of the body away from openings and moving parts.
 - Keep exhaust away from face, eyes, and hair during use.
 - **NEVER** vacuum materials such as hot coals, cigarette butts, matches, etc.
 - **Do not** use without dust bowl and filter in place.
 - **Turn off all controls before** unplugging from or plugging into an electrical outlet for charging.
 - Use extra care when using on stairs.
 - **Do not** use to pick up flammable or combustible liquids such as gasoline or use in areas where such liquids may be present.
 - **Do not** use to pick up hard objects such as nails, screws, coins, etc. Damage or injury could result.
 - Hand Vac does not have to be plugged into an electrical outlet, therefore it is always in operating condition. Be aware of possible hazards when using your Hand Vac or when changing accessories.
 - **USE ONLY THE CHARGER PROVIDED WITH YOUR HAND VAC.** Do not substitute any other charger. Use of another charger could cause batteries to explode causing possible serious injury.
 - **DO NOT PLACE HAND VAC OR BATTERIES NEAR FIRE OR HEAT.** They may explode.
 - **DO NOT CHARGE HAND VAC IN A DAMP OR WET LOCATION. Do not use charger outdoors.**
 - Your Hand vac should be charged in a location where the temperature is more than 50°F but less than 100°F.
 - **Under extreme usage or temperature conditions, battery leakage may occur. If liquid comes in contact with your skin, wash immediately with soap and water, then neutralize with lemon juice or vinegar. If liquid gets into your eyes, flush them with clean water for at least 10 minutes, then seek immediate medical attention.** Following this rule will reduce the risk of serious personal injury.
 - **A battery operated tool with integral batteries or a separate battery pack must be recharged only with the specified charger for the battery.** A charger that may be suitable for one type of battery may create a risk of fire when used with another battery. Use battery only with charger listed.
BATTERY PACK 1310717 (Item No. 9 11013)
CHARGER 981481-001 (Item No. 9 11012)
 - **Use battery operated tool only with specifically designated battery pack.** Use of any other batteries may create a risk of fire. Use only with battery pack listed.
 - Batteries vent hydrogen gas and can explode in the presence of a source of ignition, such as a pilot light. To reduce the risk of serious personal injury, never use any cordless product in the presence of open flame. An exploded battery can propel debris and chemical. If exposed, flush with water immediately.
- ### SERVICE
- **Tool service must be performed only by qualified repair personnel.** Service or maintenance performed by unqualified personnel could result in a risk of injury.
 - **When servicing a tool, use only identical replacement parts. Follow instructions in the Maintenance section of this manual.** Use of unauthorized parts or failure to follow Maintenance Instructions may create a risk of shock or injury.

IMPORTANT SAFETY INSTRUCTIONS FOR CHARGER

- **Save these instructions. This manual contains important safety and operating instructions for charger item no. 9 11012 (981481-001).** Following this rule will reduce the risk of electric shock, fire, or serious personal injury.
 - **Before using battery charger, read all instructions and cautionary markings in this manual, on battery charger, and product using battery charger.** Following this rule will reduce the risk of electric shock, fire, or serious personal injury.
 - **To reduce risk of injury, charge only nickel-cadmium rechargeable batteries. Other types of batteries may burst causing personal injury and damage.** Following this rule will reduce the risk of electric shock, fire, or serious personal injury.
 - **Do not expose charger to rain or snow.** Following this rule will reduce the risk of electric shock, fire, or serious personal injury.
 - **Use of an attachment not recommended or sold by the battery charger manufacturer may result in a risk of fire, electric shock, or injury to persons.** Following this rule will reduce the risk of electric shock, fire, or serious personal injury.
 - **To reduce risk of damage to charger body and cord, pull by charger plug rather than cord when disconnecting charger.** Following this rule will reduce the risk of serious personal injury.
 - **Make sure cord is located so that it will not be stepped on, tripped over, or otherwise subjected to damage or stress.** Following this rule will reduce the risk of serious personal injury.
 - **An extension cord should not be used unless absolutely necessary.** Use of improper extension cord could result in a risk of fire and electric shock. If extension cord must be used, make sure:
 - a. That pins on plug of extension cord are the same number, size and shape as those of plug on charger.
 - b. That extension cord is properly wired and in good electrical condition; and
 - c. That wire size is large enough for AC ampere rating of charger as specified below:

Cord Length (Feet)	25'	50'	100'
Cord Size (AWG)	16	16	16
- Note:** AWG = American Wire Gage
- **Do not operate charger with a damaged cord or plug. If damaged, have replaced immediately by a qualified serviceman.** Following this rule will reduce the risk of electric shock, fire, or serious personal injury.
 - **Do not operate charger if it has received a sharp blow, been dropped, or otherwise damaged in any way; take it to a qualified serviceman.** Following this rule will reduce the risk of electric shock, fire, or serious personal injury.
 - **Do not disassemble charger; take it to a qualified serviceman when service or repair is required. Incorrect reassembly may result in a risk of electric shock or fire.** Following this rule will reduce the risk of electric shock, fire, or serious personal injury.
 - **To reduce the risk of electric shock, unplug charger from outlet before attempting any maintenance or cleaning. Turning off controls will not reduce this risk.** Following this rule will reduce the risk of electric shock, fire, or serious personal injury.
 - **Do not use charger outdoors.** Following this rule will reduce the risk of electric shock, fire, or serious personal injury.
 - **Disconnect charger from power supply when not in use.** Following this rule will reduce the risk of electric shock, fire, or serious personal injury.
-  **DANGER: RISK OF ELECTRIC SHOCK. DO NOT TOUCH UNINSULATED PORTION OF OUTPUT CONNECTOR OR UNINSULATED BATTERY TERMINAL.**
- **Save these instructions. Refer to them frequently and use them to instruct others who may use this tool. If you loan someone this tool, loan them these instructions also.** Following this rule will reduce the risk of electric shock, fire, or serious personal injury.

SAVE THESE INSTRUCTIONS

FEATURES

KNOW YOUR HAND VAC

See Figure 1.

Before attempting to use your hand vac, familiarize yourself with all operating features and safety requirements.

WARNING: Carefully read through this entire operator's manual before using your new hand vac. Pay close attention to the Rules For Safe Operation, Warnings and Cautions. If you use your hand vac properly and only for what it is intended, you will enjoy years of safe, reliable service.

Your Hand Vac has been shipped completely assembled. Inspect it carefully to make sure no breakage or damage has occurred during shipping. If any parts are damaged or missing, contact your nearest Sears Retail Store to obtain replacement parts before attempting to operate Hand Vac. Packaging includes one battery pack, charger, crevice tool, brush nozzle, one filter and this operator's manual.

WARNING: If any parts are missing, do not operate your hand vac until the missing parts are replaced. Failure to do so could result in possible serious personal injury.

Note: Accessories can be purchased at your nearest Sears Retail Store.

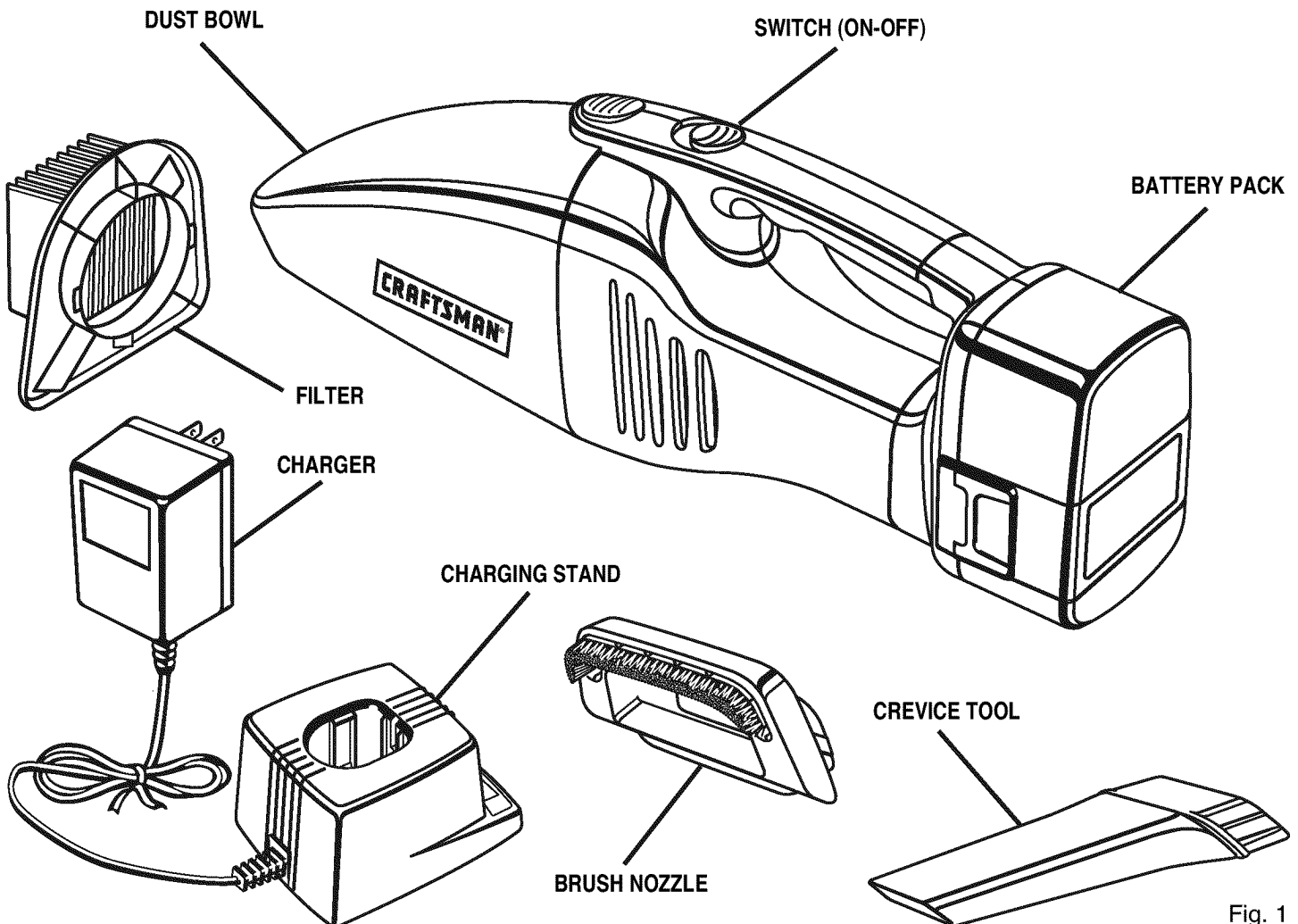
SWITCH

Your hand vac is equipped with an **ON/OFF** switch located on the top of your hand vac.

WARNING: Do not allow familiarity with your hand vac to make you careless. Remember that a careless fraction of a second is sufficient to inflict severe injury.

PRODUCT SPECIFICATIONS:

Motor	14.4 Volt DC
Switch	On/Off
Charger Rating	120 Volts, 60 Hz, AC only
Charger Voltage	14.4 Volt
Charger Rate	3-6 Hours



OPERATION

WARNING: Always wear safety goggles or safety glasses with side shields when operating tools. Failure to do so could result in objects being thrown into your eyes, resulting in possible serious injury.

BATTERY PACK

The battery pack for your hand vac has been shipped in a low charge condition to prevent possible problems. Therefore, you should charge it overnight prior to use.

Note: Batteries will not reach full charge the first time they are charged. Allow several cycles (vacuuming followed by recharging) for them to become fully charged.

CHARGING BATTERY PACK

See Figure 2.

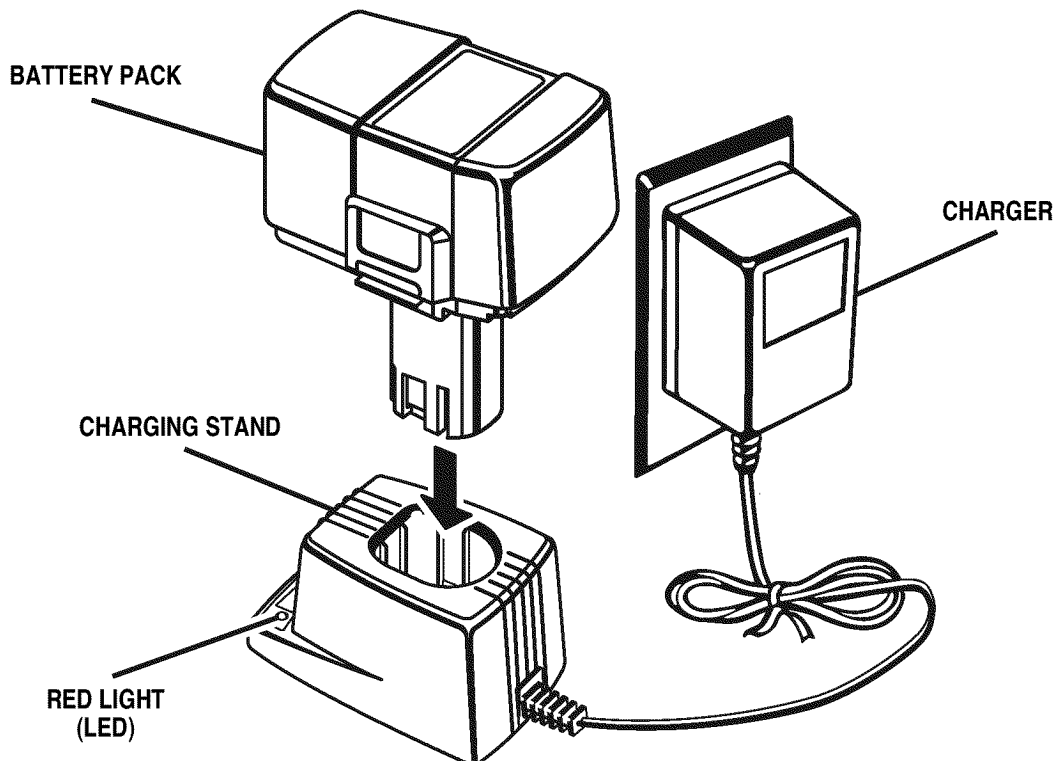
- Charge battery pack only with the charging assembly provided.
- **Make sure power supply is normal household voltage, 120 volts, 60 Hz, AC only.**
- Connect charger to power supply.
- Place battery pack in charging stand. Align raised rib on battery pack with groove in charging stand.
See Figure 2.
- Press down on battery pack to be sure contacts on battery pack engage properly with contacts in charging stand.
- The charge indicator light (LED), located on the charging stand, will light up red and glow when the charger is properly connected to power supply. This light indicates the charger is operating properly. It will remain on until battery pack is removed from charging stand or charger is disconnected from power supply.

- **Note:** If charger does not charge battery pack, return battery pack and charging assembly to your nearest Sears Repair Center for electrical check.
- After normal usage, 3 hours or less of charging time is required to fully recharge battery pack. **Note:** If battery pack is completely discharged, 6 hours or longer of charging time is required to fully recharge battery pack.
- The battery pack will become slightly warm to the touch while charging. This is normal and does not indicate a problem.
- **Do not** place charger in an area of extreme heat or cold. It will work best at normal room temperature.
- When batteries become fully charged, unplug charger from power supply and remove the battery pack.

IMPORTANT INFORMATION FOR RECHARGING HOT BATTERIES

When using your hand vac continuously, the batteries in your battery pack will become hot. You should let a hot battery pack cool down for approximately 30 minutes before attempting to recharge.

Note: This situation only occurs when continuous use of your hand vac causes the batteries to become hot. It does not occur under normal circumstances. Refer to "**CHARGING BATTERY PACK**" for normal recharging of batteries. If the charging assembly does not charge your battery pack under normal circumstances, return **both** the battery pack and charging assembly to your nearest Sears Repair Center for electrical check.

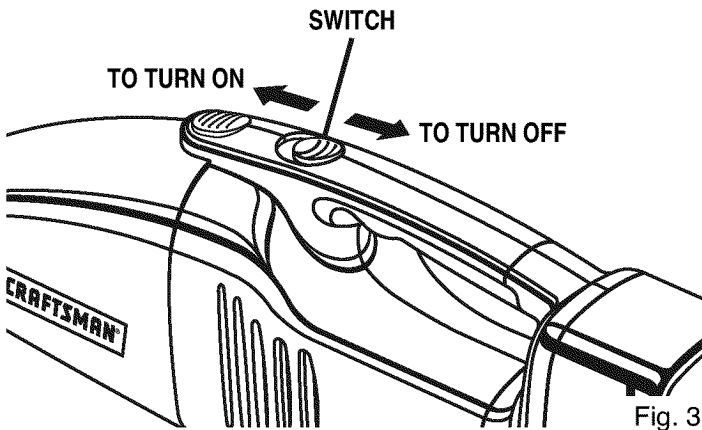


OPERATION

SWITCH

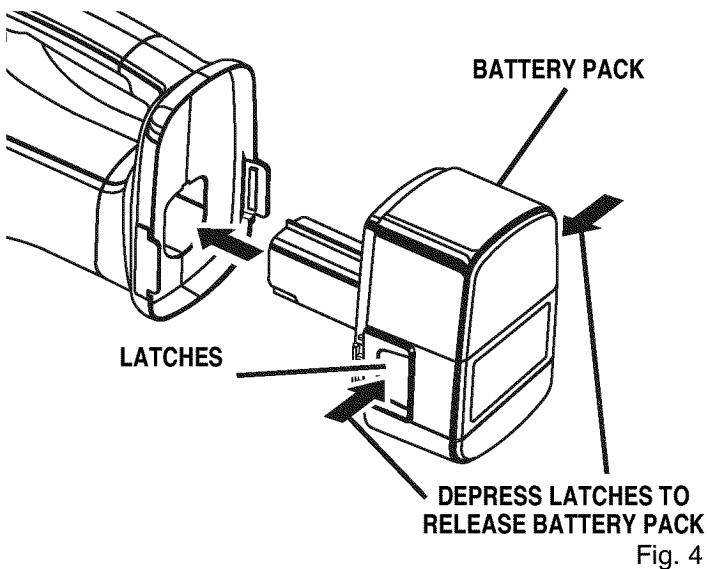
See Figure 3.

Your hand vac is equipped with an **ON/OFF** switch located on top of hand vac. As shown in the arrows in Figure 3, to turn your hand vac **ON**, push switch forward. To turn it **OFF**, pull switch back.



TO INSTALL BATTERY PACK

■ Place battery pack in hand vac aligning raised rib on battery pack with groove inside hand vac. See Figure 4.



■ Make sure the latches on each side of battery pack snap into place and battery pack is secured in hand vac before beginning operation.

CAUTION: When placing battery pack in hand vac, be sure raised rib on battery pack aligns with groove inside hand vac and latches snap into place properly. Improper assembly of battery pack can cause damage to internal components.

TO REMOVE BATTERY PACK

- Locate latches on side of battery pack and depress to release battery pack from hand vac. See Figure 4.
- Remove battery pack from hand vac.

CLEANING YOUR HAND VAC

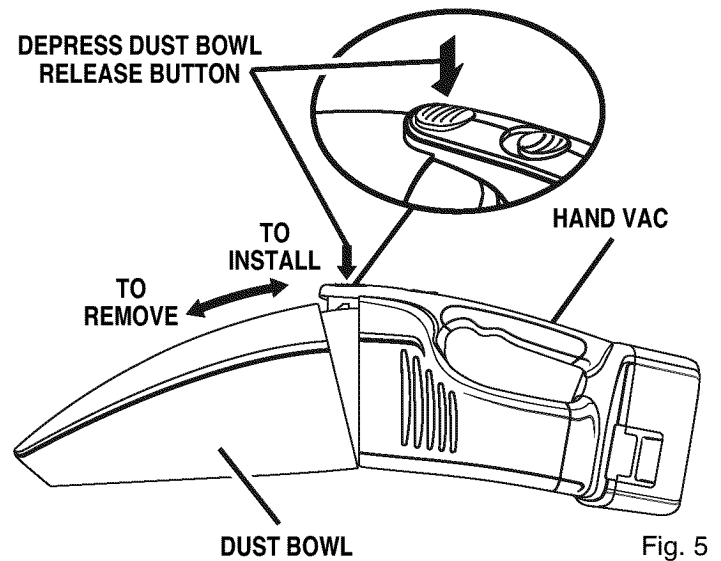
See Figures 5, 6, and 7.

WARNING: Never use your hand vac without the filter properly in place.

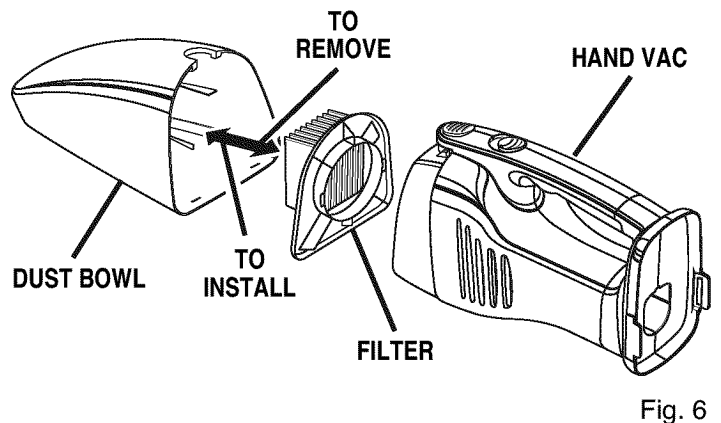
The dust bowl should be checked, emptied and cleaned periodically to obtain maximum dust collection.

TO REMOVE DUST BOWL

■ Depress dust bowl release button located on top of hand vac then pull bowl down and out as shown in Figure 5.



■ Remove the filter by simply pulling it out of dust bowl. See Figure 6.



- Shake or lightly brush any dust or dirt off filter.
- Empty dust bowl and wash if necessary. Make sure dust bowl is completely dry before reattaching to hand vac.

OPERATION

TO REATTACH DUST BOWL

See Figure 7.

- Position the two sections as shown in Figure 7. Align slots on bottom of dust bowl with tabs on bottom of motor housing then snap the two sections together.

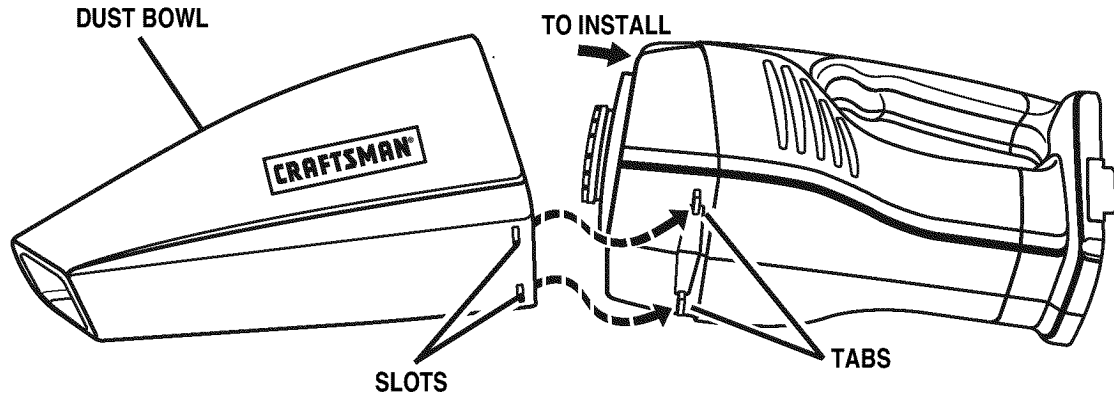


Fig. 7

ACCESSORIES

ACCESSORIES

See Figure 8.

The attachments shown in Figure 8, are provided with your hand vac. These attachments easily fit into the nose of the dust bowl. If replacing these attachments, contact your nearest Sears Retail Store.

⚠ WARNING: The use of attachments or accessories not listed might be hazardous.

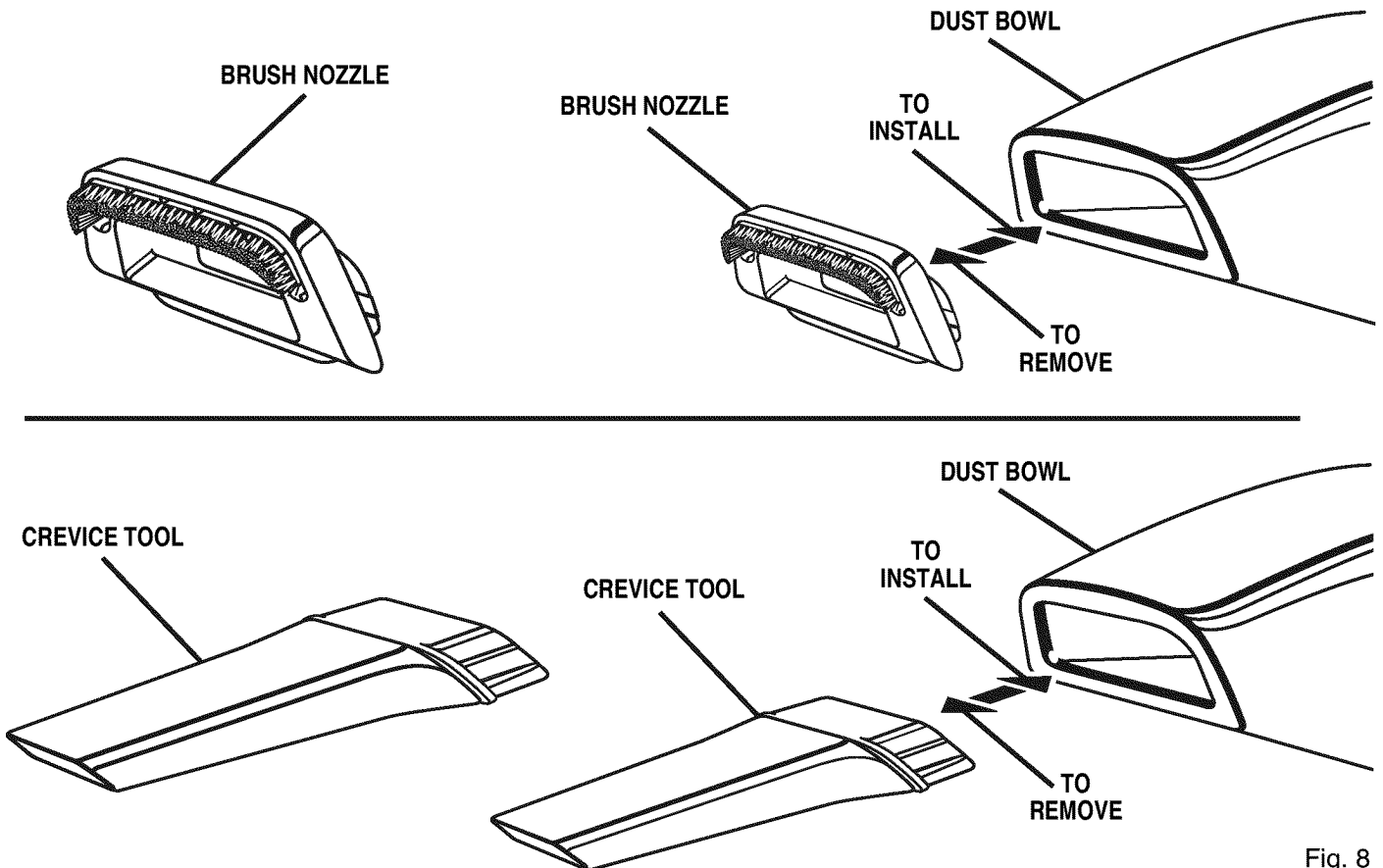


Fig. 8

MAINTENANCE

⚠ WARNING: When servicing, use only identical Craftsman replacement parts. Use of any other part may create a hazard or cause product damage.

Avoid using solvents when cleaning plastic parts. Most plastics are susceptible to damage from various types of commercial solvents and may be damaged by their use. Use clean cloths to remove dirt, dust, oil, grease, etc.

⚠ WARNING: Do not at any time let brake fluids, gasoline, petroleum-based products, penetrating oils, etc. come in contact with plastic parts. They contain chemicals that can damage, weaken or destroy plastic.

Do not abuse power tools. Abusive practices can damage tool as well as workpiece.

Only the parts shown on parts list, page 11, are intended to be repaired or replaced by the customer. All other parts should be replaced at a Sears Service Center.

⚠ WARNING: Do not attempt to modify this tool or create accessories not recommended for use with this tool. Any such alteration or modification is misuse and could result in a hazardous condition leading to possible serious personal injury.

BATTERIES

The battery pack for your hand vac is equipped with nickel-cadmium rechargeable batteries. Length of service from each charging will depend on the type of work you are doing.

The batteries in this tool have been designed to provide maximum trouble free life. However, like all batteries, they will eventually wear out. **Do not** disassemble battery pack and attempt to replace the batteries. Handling of these batteries, especially when wearing rings and jewelry, could result in a serious burn.

To obtain the longest possible battery life, we suggest the following:

- Store and charge your batteries in a cool area. Temperatures above or below normal room temperature will shorten battery life.
- Never store batteries in a discharged condition. Recharge them immediately after they are discharged.
- All batteries gradually lose their charge. The higher the temperature the quicker they lose their charge. If you store your tool for long periods of time without using it, recharge the batteries every month or two. This practice will prolong battery life.



To preserve natural resources, please recycle or dispose of batteries properly.

This product contains nickel-cadmium batteries. Local, state or federal laws may prohibit disposal of nickel-cadmium batteries in ordinary trash.

Consult your local waste authority for information regarding available recycling and/or disposal options.

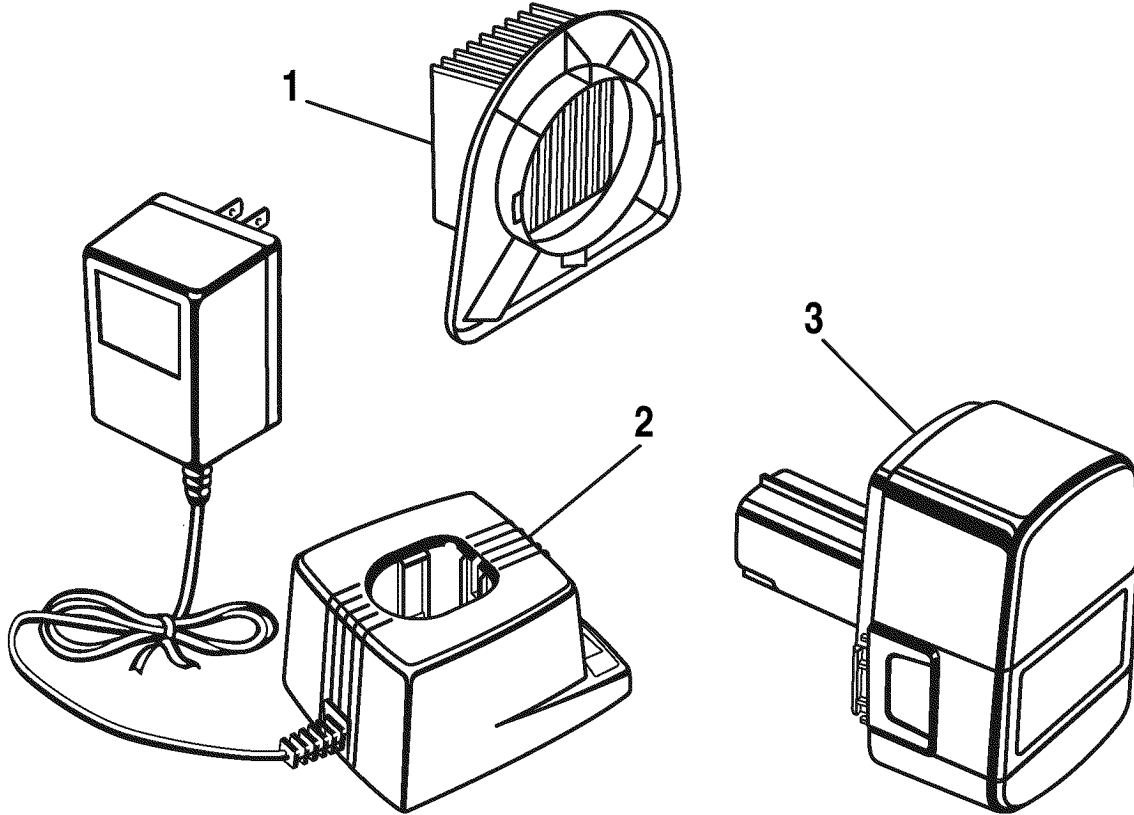
BATTERY PACK REMOVAL AND PREPARATION FOR RECYCLING

⚠ WARNING: Upon removal, cover the battery pack's terminals with heavy duty adhesive tape. Do not attempt to destroy or disassemble battery pack or remove any of its components. Nickel-cadmium batteries must be recycled or disposed of properly. Also, never touch both terminals with metal objects and/or body parts as short circuit may result. Keep away from children. Failure to comply with these warnings could result in fire and/or serious injury.

**CRAFTSMAN 14.4 VOLT CORDLESS HAND VAC
MODEL NO. 315.114460**

The model number will be found on a plate attached to the motor housing. Always mention the model number in all correspondence regarding your **CORDLESS HAND VAC** or when ordering repair parts.

SEE BACK PAGE FOR PARTS ORDERING INSTRUCTIONS



PARTS LIST

Key No.	Part Number	Description	Quan.
1	* Item No. <u>9</u> 11408	Filter (3004015)	1
2	* Item No. <u>9</u> 11012	Charging Assembly (981481-001)	1
3	* Item No. <u>9</u> 11013	Battery Pack (1310717)	1
4	3091234	Carrying Case (not shown)	
	983000-356	Operator's Manual	

* Can Be Purchased Thru RSOS (Retail Special Order System)

Get it fixed, at your home or ours!

Your Home

For repair – **in your home** – of **all** major brand appliances, lawn and garden equipment, or heating and cooling systems, **no matter who made it, no matter who sold it!**

For the replacement parts, accessories and owner's manuals that you need to do-it-yourself.

For Sears professional installation of home appliances and items like garage door openers and water heaters.

1-800-4-MY-HOME[®] (1-800-469-4663)

Call anytime, day or night (U.S.A. and Canada)

www.sears.com www.sears.ca

Our Home

For repair of carry-in items like vacuums, lawn equipment, and electronics, call or go on-line for the location of your nearest **Sears Parts & Repair Center.**

1-800-488-1222

Call anytime, day or night (U.S.A. only)

www.sears.com

To purchase a protection agreement (U.S.A.) or maintenance agreement (Canada) on a product serviced by Sears:

1-800-827-6655 (U.S.A.)

1-800-361-6665 (Canada)

Para pedir servicio de reparación a domicilio, y para ordenar piezas:

1-888-SU-HOGARSM
(1-888-784-6427)

Au Canada pour service en français:

1-800-LE-FOYER^{MC}
(1-800-533-6937)
www.sears.ca

SEARS