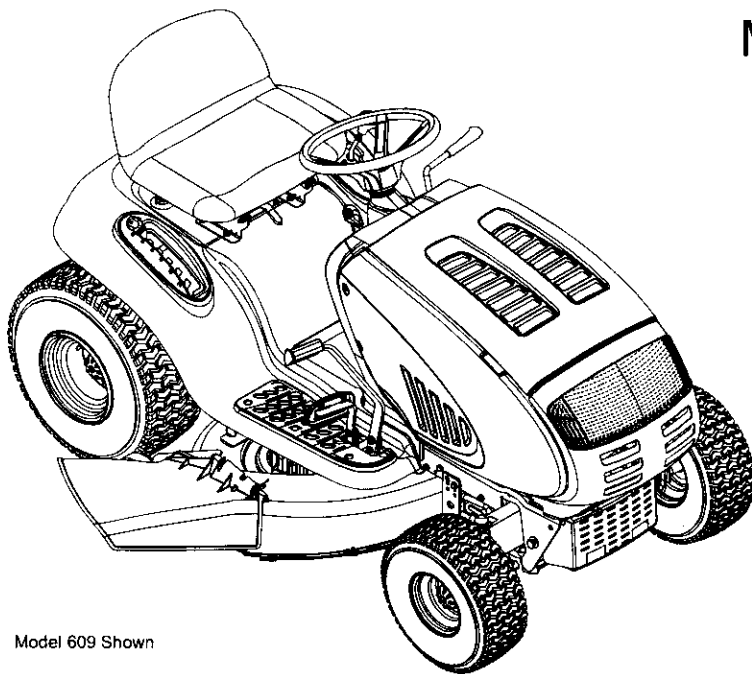


# OPERATOR'S MANUAL

Automatic Lawn Tractor  
Models 607  
608  
609



Model 609 Shown

## **IMPORTANT: READ SAFETY RULES AND INSTRUCTIONS CAREFULLY**

**Warning:** This unit is equipped with an internal combustion engine and should not be used on or near any unimproved forest-covered, brush-covered or grass-covered land unless the engine's exhaust system is equipped with a spark arrester meeting applicable local or state laws (if any). If a spark arrester is used, it should be maintained in effective working order by the operator. In the State of California the above is required by law (Section 4442 of the California Public Resources Code). Other states may have similar laws. Federal laws apply on federal lands. A spark arrester for the muffler is available through your nearest engine authorized service dealer or contact the service department, P.O. Box 368022 Cleveland, Ohio 44136-9722.

**MTD PRODUCTS INC. P.O. BOX 368022 CLEVELAND, OHIO 44136-9722**

PRINTED IN U.S.A.

FORM NO. 770-10130C  
(11/2000)

## TABLE OF CONTENTS

<b>Content</b>	<b>Page</b>
Important Safe Operation Practices.....	3
Slope Gauge.....	7
Tractor Set-up.....	8
Know Your Lawn Tractor.....	9
Operating Your Lawn Tractor.....	12
Making Adjustments .....	16
Maintaining Your Lawn Tractor .....	18
Service.....	19
Off-Season Storage .....	24
Attachments & Accessories .....	24
Troubleshooting.....	25
Models 607, 608 & 609 Parts List.....	26

## FINDING MODEL NUMBER

This Operator's Manual is an important part of your new lawn tractor. It will help you assemble, prepare and maintain the unit for best performance. Please read and understand what it says.



**Before you start assembling your new equipment**, please locate the model plate on the equipment and copy the information from it in the space provided below. The information on the model plate is very important if you need help from our Customer Support Department or an authorized dealer.

- You can locate the model number by looking beneath the seat. A sample model plate is explained below. For future reference, please copy the model number and the serial number of the equipment in the space below.



Copy the model number here: \_\_\_\_\_

Copy the serial number here: \_\_\_\_\_

## CALLING CUSTOMER SUPPORT

If you have difficulty assembling this product or have any questions regarding the controls, operation or maintenance of this unit, please call the Customer Support Department.



Call 1- (330) 220-4MTD (4683) or 1- (800)-800-7310 to reach a Customer Support representative. Please have your unit's model number and serial number ready when you call. See previous section to locate this information. You will be asked to enter the serial number in order to process your call.

For more details about your unit, visit our website at [www.mtdproducts.com](http://www.mtdproducts.com)

---

## SECTION 1: IMPORTANT SAFE OPERATION PRACTICES



**WARNING:** This symbol points out important safety instructions which, if not followed, could endanger the personal safety and/or property of yourself and others. Read and follow all instructions in this manual before attempting to operate this machine. Failure to comply with these instructions may result in personal injury. When you see this symbol—heed its warning.



**DANGER:** This machine was built to be operated according to the rules for safe operation in this manual. As with any type of power equipment, carelessness or error on the part of the operator can result in serious injury. This machine is capable of amputating hands and feet and throwing objects. Failure to observe the following safety instructions could result in serious injury or death.

### California Proposition 65 Warning:



**WARNING:** Engine exhaust, some of its constituents, and certain vehicle components contain or emit chemicals known to the State of California to cause cancer and birth defects or other reproductive harm.

### GENERAL OPERATION

1. Read, understand, and follow all instructions on the machine and in the manual(s) before attempting to assemble and operate. Keep this manual in a safe place for future and regular reference and for ordering replacement parts.
2. Be familiar with all controls and their proper operation. Know how to stop the machine and disengage them quickly.
3. Never allow children under 14 years old to operate this machine. Children 14 years old and over should read and understand the operation instructions and safety rules in this manual and should be trained and supervised by a parent.
4. Never allow adults to operate this machine without proper instruction.
5. To help avoid blade contact or a thrown object injury, keep bystanders, helpers, children and pets at least 75 feet from the machine while it is in operation. Stop machine if anyone enters the area.
6. Thoroughly inspect the area where the equipment is to be used. Remove all stones, sticks, wire, bones, toys, and other foreign objects which could be picked up and thrown by the blade(s). Thrown objects can cause serious personal injury.
7. Plan your mowing pattern to avoid discharge of material toward roads, sidewalks, bystanders and the like. Also, avoid discharging material against a wall or obstruction which may cause discharged material to ricochet back toward the operator.
8. Always wear safety glasses or safety goggles during operation and while performing an adjustment or repair to protect your eyes. Thrown objects which ricochet can cause serious injury to the eyes.
9. Wear sturdy, rough-soled work shoes and close-fitting slacks and shirts. Loose fitting clothes and jewelry can be caught in movable parts. Never operate this machine in bare feet or sandals.
10. Be aware of the mower and attachment discharge direction and do not point it at anyone. Do not operate the mower without the discharge cover or entire grass catcher in its proper place.
11. Do not put hands or feet near rotating parts or under the cutting deck. Contact with the blade(s) can amputate hands and feet.
12. A missing or damaged discharge cover can cause blade contact or thrown object injuries.
13. Stop the blade(s) when crossing gravel drives, walks, or roads and while not cutting grass.
14. Watch for traffic when operating near or crossing roadways. This machine is not intended for use on any public roadway.
15. Do not operate the machine while under the influence of alcohol or drugs.
16. Mow only in daylight or good artificial light.
17. Never carry passengers.
18. Disengage blade(s) before shifting into reverse. Back up slowly. Always look down and behind before and while backing to avoid a back-over accident.
19. Slow down before turning. Operate the machine smoothly. Avoid erratic operation and excessive speed.
20. Disengage blade(s), set parking brake, stop engine and wait until the blade(s) come to a complete stop before removing grass catcher, emptying grass, unclogging chute, removing any grass or debris, or making any adjustments.
21. Never leave a running machine unattended. Always turn off blade(s), place transmission in neutral, set parking brake, stop engine and remove key before dismounting.
22. Use extra care when loading or unloading the machine into a trailer or truck. This unit should not be driven up or down ramp(s), because the unit could tip over, causing serious personal injury. The unit must be pushed manually on ramp(s) to load or unload properly.

23. Muffler and engine become hot and can cause a burn. Do not touch.
24. Check overhead clearances carefully before driving under low hanging tree branches, wires, door openings etc., where the operator may be struck or pulled from the unit, which could result in serious injury.
25. Disengage all attachment clutches, depress the brake pedal completely and shift into neutral before attempting to start engine.
26. Your machine is designed to cut normal residential grass of a height no more than 10". Do not attempt to mow through unusually tall, dry grass (e.g., pasture) or piles of dry leaves. Dry grass or leaves may contact the engine exhaust and/or build up on the mower deck presenting a potential fire hazard.
27. Use only accessories and attachments approved for this machine by the machine manufacturer. Read, understand and follow all instructions provided with the approved accessory or attachment.
28. Data indicates that operators, age 60 years and above, are involved in a large percentage of riding mower-related injuries. These operators should evaluate their ability to operate the riding mower safely enough to protect themselves and others from serious injury.
29. If situations occur which are not covered in this manual, use care and good judgment. Contact an authorized MTD Service Dealer for assistance.

## **SLOPE OPERATION**

Slopes are a major factor related to loss of control and tip-over accidents which can result in severe injury or death. All slopes require extra caution. If you cannot back up the slope or if you feel uneasy on it, do not mow it.

For your safety, use the slope gauge included as part of this manual to measure slopes before operating this unit on a sloped or hilly area. If the slope is greater than 15 degrees as shown on the slope gauge, do not operate this unit on that area or serious injury could result.

### **DO:**

1. Mow up and down slopes, not across. Exercise extreme caution when changing direction on slopes.
2. Watch for holes, ruts, bumps, rocks, or other hidden objects. Uneven terrain could overturn the machine. Tall grass can hide obstacles.
3. Use slow speed. Choose a low enough speed setting so that you will not have to stop or shift while on the slope. Tires may lose traction on slopes even though the brakes are functioning properly. Always keep machine in gear when going down slopes to take advantage of engine braking action.

4. Follow the manufacturer's recommendations for wheel weights or counterweights to improve stability.
5. Use extra care with grass catchers or other attachments. These can change the stability of the machine.
6. Keep all movement on the slopes slow and gradual. Do not make sudden changes in speed or direction. Rapid engagement or braking could cause the front of the machine to lift and rapidly flip over backwards which could cause serious injury.
7. Avoid starting or stopping on a slope. If tires lose traction, disengage the blade(s) and proceed slowly straight down the slope.

### **DO NOT:**

1. Do not turn on slopes unless necessary; then, turn slowly and gradually downhill, if possible.
2. Do not mow near drop-offs, ditches or embankments. The mower could suddenly turn over if a wheel is over the edge of a cliff, ditch, or if an edge caves in.
3. Do not try to stabilize the machine by putting your foot on the ground.
4. Do not use a grass catcher on steep slopes.
5. Do not mow on wet grass. Reduced traction could cause sliding.
6. Do not shift to neutral and coast downhill. Over-speeding may cause the operator to lose control of the machine resulting in serious injury or death.
7. Do not tow heavy pull behind attachments (e.g. loaded dump cart, lawn roller, etc.) on slopes greater than 5 degrees. When going down hill, the extra weight tends to push the tractor and may cause you to lose control. (e.g. tractor may speed up, braking and steering ability are reduced, attachment may jack-knife and cause tractor to overturn).

## **CHILDREN**

1. Tragic accidents can occur if the operator is not alert to the presence of children. Children are often attracted to the machine and the mowing activity. They do not understand the dangers. Never assume that children will remain where you last saw them.
  - a. Keep children out of the mowing area and in watchful care of a responsible adult other than the operator.
  - b. Be alert and turn machine off if a child enters the area.
  - c. Before and while backing, look behind and down for small children.
  - d. Never carry children, even with the blade(s) shut off. They may fall off and be seriously injured or interfere with safe machine operation.

- e. Use extreme care when approaching blind corners, doorways, shrubs, trees or other objects that may block your vision of a child who may run into the machine.
  - f. Disengage the cutting blade(s) before shifting in reverse. The "No-Cut-In Reverse" feature is a reminder not to cut in reverse and to help avoid back over accidents. Do not defeat it.
  - g. Keep children away from hot or running engines. They can suffer burns from a hot muffler.
  - h. Remove key when machine is unattended to prevent unauthorized operation.
9. Never allow children under 14 years old to operate the machine. Children 14 years old and over should read and understand the operation instructions and safety rules in this manual and should be trained and supervised by a parent.

## TOWING

1. Tow only with a machine that has a hitch designed for towing. Do not attach towed equipment except at the hitch point.
2. Follow the manufacturers recommendation for weight limits for towed equipment and towing on slopes.
3. Never allow children or others in or on towed equipment.
4. On slopes, the weight of the towed equipment may cause loss of traction and loss of control.
5. Travel slowly and allow extra distance to stop.
6. Do not shift to neutral and coast downhill.

## SERVICE

### SAFE HANDLING OF GASOLINE:

1. **To avoid personal injury or property damage** use extreme care in handling gasoline. **Gasoline is** extremely flammable and the vapors are explosive. Serious personal injury can occur when gasoline is spilled on yourself or your clothes which can ignite. Wash your skin and change clothes immediately.
  - a. Use only an approved gasoline container.
  - b. Never fill containers inside a vehicle or on a truck or trailer bed with a plastic liner. Always place containers on the ground away from your vehicle before filling.
  - c. When practical, remove gas-powered equipment from the truck or trailer and refuel it on the ground. If this is not possible, then refuel such equipment on a trailer with a portable container, rather than from a gasoline dispenser nozzle.
  - d. Keep the nozzle in contact with the rim of the fuel tank or container opening at all times until fueling is complete. Do not use a nozzle lock-open device.

- e. Extinguish all cigarettes, cigars, pipes and other sources of ignition.
- f. Never fuel machine indoors.
- g. Never remove gas cap or add fuel while the engine is hot or running. Allow engine to cool at least two minutes before refueling.
- h. Never over fill fuel tank. Fill tank to no more than ½ inch below bottom of filler neck to allow space for fuel expansion.
- i. Replace gasoline cap and tighten securely.
- j. If gasoline is spilled, wipe it off the engine and equipment. Move unit to another area. Wait 5 minutes before starting the engine.
- k. To reduce fire hazards, keep machine free of grass, leaves, or other debris build-up. Clean up oil or fuel spillage and remove any fuel soaked debris.
- l. Never store the machine or fuel container inside where there is an open flame, spark or pilot light as on a water heater, space heater, furnace, clothes dryer or other gas appliances.
- m. Allow a machine to cool at least 5 minutes before storing.

### GENERAL SERVICE:

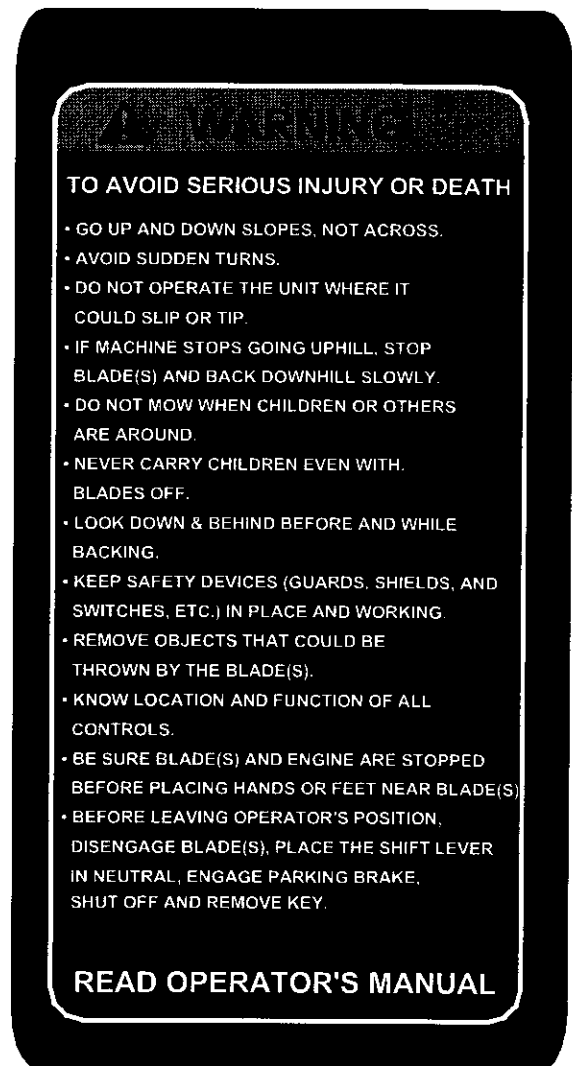
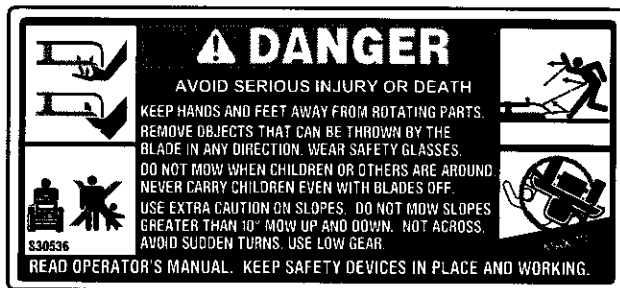
1. Never run an engine indoors or in a poorly ventilated area. Engine exhaust contains carbon monoxide, an odorless, and deadly gas.
2. Before cleaning, repairing, or inspecting, make certain the blade(s) and all moving parts have stopped. Disconnect the spark plug wire and ground against the engine to prevent unintended starting.
3. Periodically check to make sure the blades come to complete stop within approximately (5) five seconds after operating the blade disengagement control. If the blades do not stop within the this time frame, your unit should be serviced professionally by an authorized MTD Service Dealer.
4. Check brake operation frequently as it is subjected to wear during normal operation. Adjust and service as required.
5. Check the blade(s) and engine mounting bolts at frequent intervals for proper tightness. Also, visually inspect blade(s) for damage (e.g., excessive wear, bent, cracked). Replace the blade(s) with the original equipment manufacturer's (O.E.M.) blade(s) only, listed in this manual. "Use of parts which do not meet the original equipment specifications may lead to improper performance and compromise safety!"
6. Mower blades are sharp. Wrap the blade or wear gloves, and use extra caution when servicing them.
7. Keep all nuts, bolts, and screws tight to be sure the equipment is in safe working condition.

8. Never tamper with the safety interlock system or other safety devices. Check their proper operation regularly.
9. After striking a foreign object, stop the engine, disconnect the spark plug wire(s) and ground against the engine. Thoroughly inspect the machine for any damage. Repair the damage before starting and operating.
10. Never attempt to make adjustments or repairs to the machine while the engine is running.
11. Grass catcher components and the discharge cover are subject to wear and damage which could expose moving parts or allow objects to be thrown.

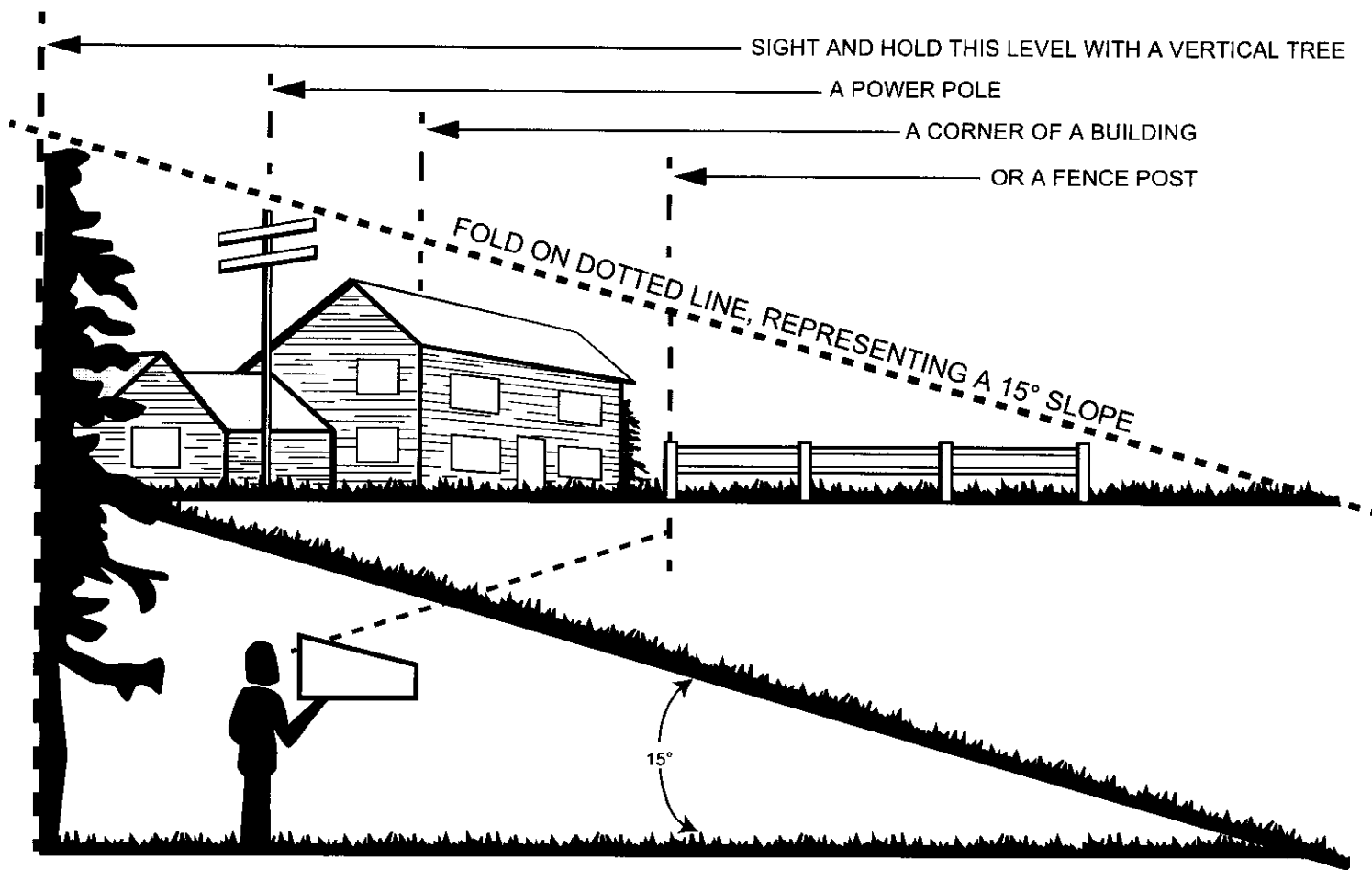
- For safety protection, frequently check components and replace immediately with original equipment manufacturer's (O.E.M.) parts only, listed in this manual. "Use of parts which do not meet the original equipment specifications may lead to improper performance and compromise safety!"
12. Do not change the engine governor settings or over-speed the engine. The governor controls the maximum safe operating speed of the engine.
  13. Maintain or replace safety and instruction labels, as necessary.
  14. Observe proper disposal laws and regulations for gas, oil, etc. to protect the environment.



**WARNING: YOUR RESPONSIBILITY** Restrict the use of this power machine to persons who read, understand and follow the warnings and instructions in this manual and on the machine.



**SECTION 2: SLOPE GAUGE**



**WARNING**

Do not mow on inclines with a slope in excess of 15 degrees (a rise of approximately 2-1/2 feet every 10 feet). A riding mower could overturn and cause serious injury. If operating a walk-behind mower on such a slope, it is extremely difficult to maintain your footing and you could slip, resulting in serious injury.

Operate RIDING mowers up and down slopes, never across the face of slopes.

## SECTION 3: TRACTOR SET-UP

### Attaching the Battery Cables

**NOTE:** The positive battery terminal is marked Pos. (+). The negative battery terminal is marked Neg. (-).

- The positive cable (heavy red wire) is secured to the positive battery terminal (+) with a hex bolt and hex nut at the factory. Make certain that the rubber boot covers the terminal to help protect it from corrosion.
- Remove the hex bolt and wing nut from the negative cable.
- Remove the black plastic cover, if present, from the negative battery terminal and attach the negative cable (heavy black wire) to the negative battery terminal (-) with the bolt and wing nut.
- Make certain the hold-down strap is in position over the battery, securing it in place. See Figure 1.

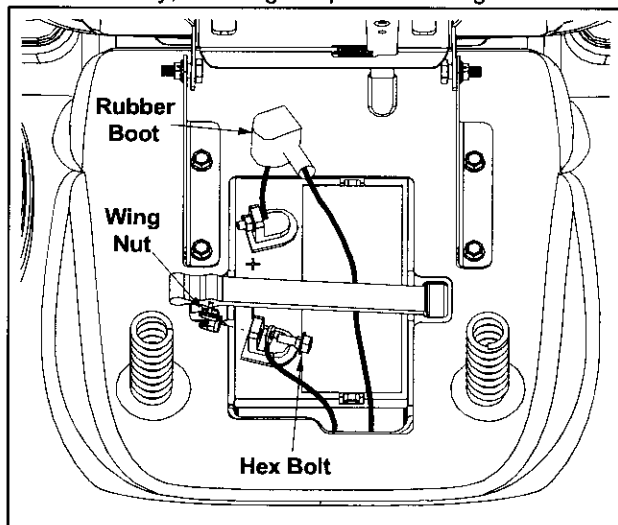


Figure 1

**NOTE:** If the battery is put into service after the date shown on top of battery, charge the battery as instructed on page 24 of this manual prior to operating the tractor.

### Gas and Oil Fill-up

The gasoline tank is located under the hood and has a capacity of either two or three gallons. Do not overfill.



**WARNING:** Use extreme care when handling gasoline. Gasoline is extremely flammable and the vapors are explosive. Never fuel machine indoors or while the engine is hot or running. Extinguish cigarettes, cigars, pipes, and other sources of ignition.

Service the engine with gasoline and oil as instructed in the separate *Briggs & Stratton Operator/Owner Manual* (or *Kohler engine's Owner's Manual*) packed with your tractor. Read instructions carefully.

**IMPORTANT:** Your tractor is shipped with motor oil in the engine. However, you **MUST** check the oil level before operating. Be careful not to overfill.

### Shipping Brace Removal



**WARNING:** Make sure the riding mower's engine is off, remove the ignition key, and set the parking brake before removing the shipping brace.

- Locate the shipping brace and accompanying warning tag found on the right side of the mower, between the discharge chute and the cutting deck. See Figure 2.

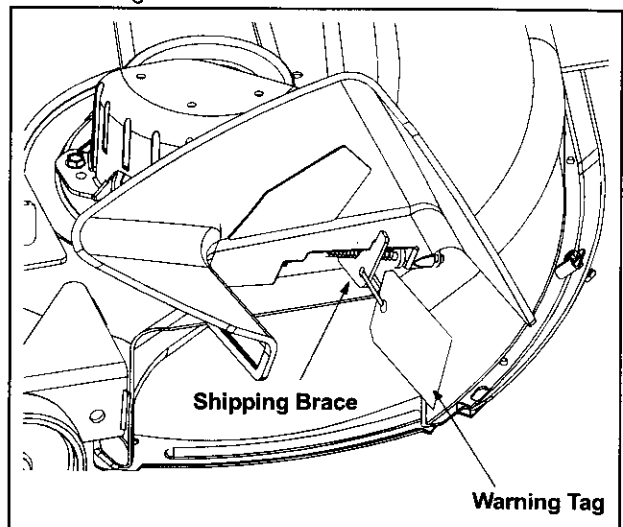


Figure 2

- While holding the discharge chute with your left hand, remove the shipping brace with your right hand by grasping it between your thumb and index finger and rotating it clockwise.



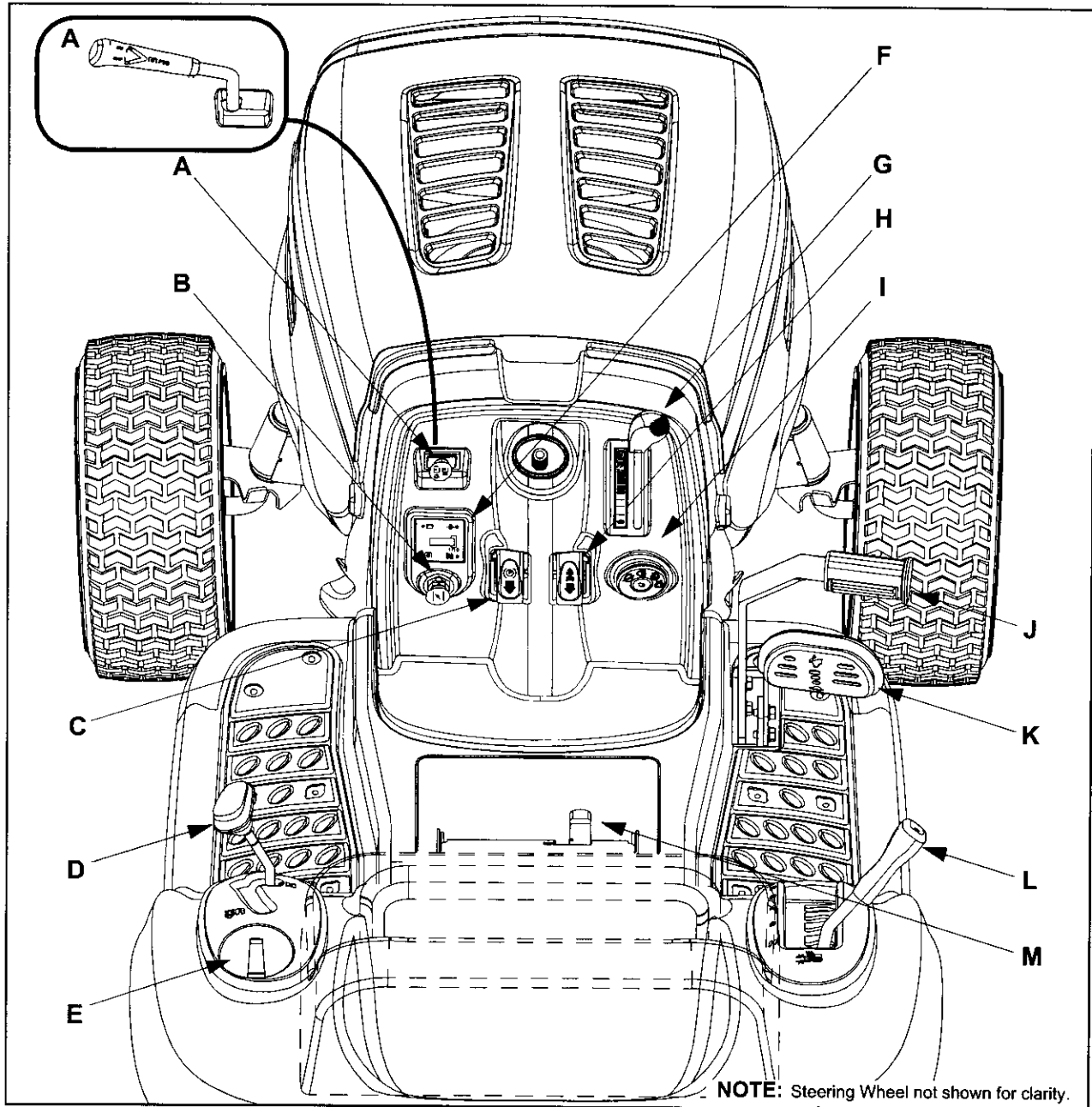
**WARNING:** The shipping brace, used for packaging purposes only, must be removed and discarded before operating your riding mower.



**WARNING:** The mowing deck is capable of throwing objects. Failure to operate the riding mower without the discharge cover in the proper operating position could result in serious personal injury and/or property damage.



## SECTION 4: KNOW YOUR LAWN TRACTOR



NOTE: Steering Wheel not shown for clarity.

† Style varies by model

‡ If so equipped

- A PTO (Power Take-off) Lever†  
PTO (Power Take-off) Knob‡
- B Choke Control†
- C Parking Brake Button
- D Shift Lever
- E Cup Holder†
- F Systems Indicator Monitor†

- G Throttle Control Lever
- H Cruise Control Button†
- I Ignition Switch
- J Brake Pedal
- K Drive Pedal
- L Deck Lift Lever
- M Seat Adjustment Lever†

NOTE: Any reference in this manual to the RIGHT or LEFT side of the tractor is observed from operator's position.

## Throttle Control Lever

The throttle control lever is located on the right side of the tractor's dash panel. This lever controls the speed of the engine and, on some models, when pushed all the way forward, the choke control also. When set in a given position, the throttle will maintain a uniform engine speed. See Figure 3.

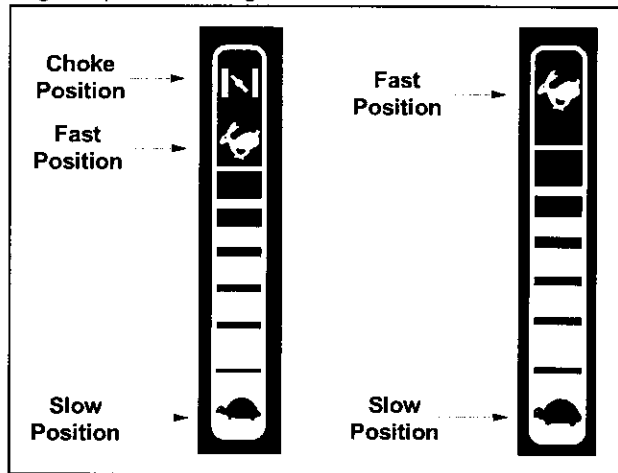
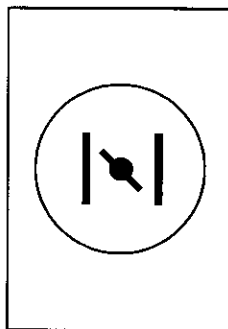


Figure 3

**IMPORTANT:** When operating the tractor with the cutting deck engaged, be certain that the throttle lever is **always** in the FAST (rabbit) position.

## Choke Control

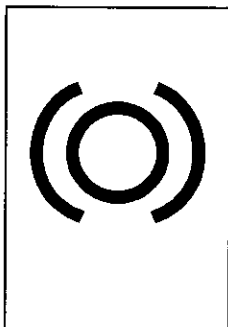
On some models, moving the throttle lever all the way forward activates the engine's choke control. On all other models, the choke control can be found on the left side of the dash panel and is activated by pulling the knob outward. Activating the choke control closes the choke plate on the carburetor and aids in starting the engine. Refer to **Starting The Engine** on page 13 of this manual for detailed starting instructions.



## Brake Pedal

The brake pedal is located on the right front side of the tractor above the drive pedal along the running board. The brake pedal can be used for sudden stops or setting the parking brake.

**NOTE:** The brake pedal must be fully depressed to activate the safety interlock switch when starting the tractor.



## Ignition Switch



**WARNING:** Never leave a running machine unattended. Always disengage PTO, move shift lever into neutral position, set parking brake, stop engine and remove key to prevent unintended starting.

To start the engine, insert the key into the ignition switch and turn clockwise to the **START** position. Release the key into the **ON** position once engine has fired. See Figure 4.

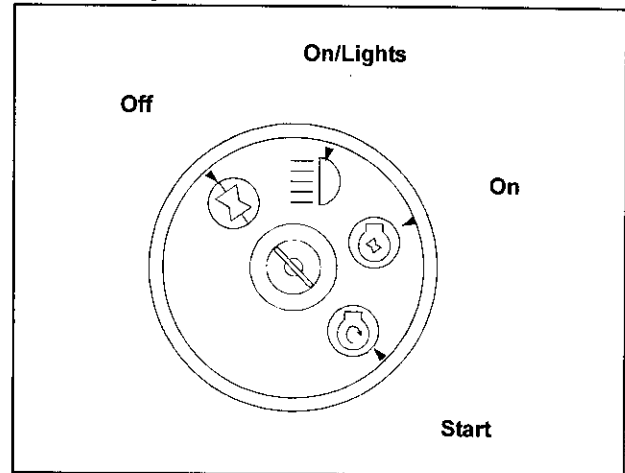


Figure 4

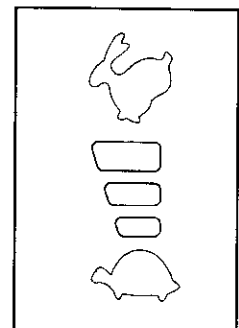
Refer to **Starting The Engine** on page 13 of this manual for detailed starting instructions.

The ignition switch is also used to operate the tractor's headlights. Refer to **Operating The Headlights** on page 15 of this manual for detailed instructions.

## Drive Pedal

The drive pedal is located below the brake pedal on the right front side of the tractor along the running board. Depress the drive pedal with your right foot when the tractor shift lever is in either **FORWARD** or **REVERSE** to cause the tractor to move. Ground speed is also controlled with the drive pedal. The further down the pedal is depressed, the faster the tractor will travel. The pedal will return to its original position when it's not depressed.

**IMPORTANT:** Always set the parking brake when leaving the tractor unattended.



## Systems Indicator Monitor

Your tractor is equipped with either an hour meter or an ammeter as part of two available systems indicator monitors. Locate the monitor on the left side of your dash panel and compare it to both shown in Figure 5.

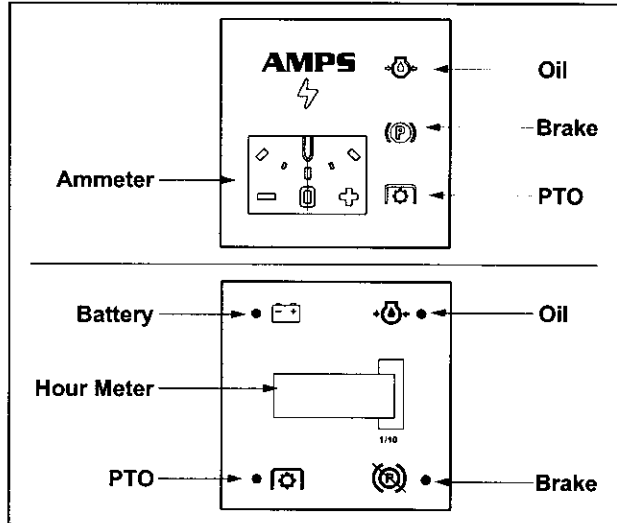


Figure 5

If the Brake light or PTO light illuminates when attempting to start the unit, proceed as follows:

- BRAKE** — Depress the brake pedal.
- PTO** — Move PTO lever, or PTO knob into the disengaged (OFF) position.

It is normal for the Oil light and the Battery light, if so equipped, to illuminate while the engine is **cranking**, but if either illuminates **while the engine is running**, proceed as follows:

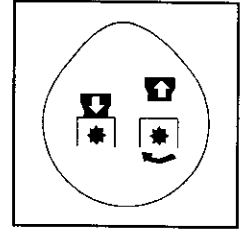
- OIL**— Stop the tractor immediately and check the crankcase oil level as instructed in the Briggs & Stratton Operator/Owner Manual (or Kohler engine's Owner's Manual) included with your tractor.
- BATTERY**— The battery is in need of a charge, or the engine's charging system is not generating sufficient amperage. Refer to the **MAINTENANCE** section of this manual for the proper battery charging procedure or have the charging system checked by a Briggs & Stratton or Kohler engine's dealer.

On units so equipped, the **ammeter** measures the electrical output of the engine's charging system. Under normal operating conditions, with the engine at full throttle, the ammeter's needle should measure a positive charge.

The **hour meter**, on units so equipped, operates whenever the engine is running and records the actual hours of tractor operation.

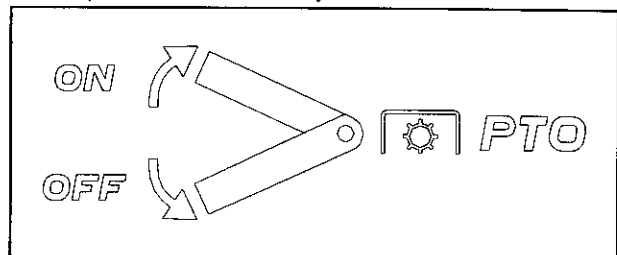
## Electric PTO (Power Take-off) Knob

To engage the power to the cutting deck or other (separately available) attachments on models equipped with an electric PTO, pull outward on the PTO knob. Push the PTO knob inward to disengage the power to the cutting deck.



**NOTE:** The PTO knob **must** be in the disengaged (OFF) position when starting the engine, when traveling in reverse and if the operator leaves the seat.

## PTO (Power Take-off) Lever



On models equipped with a manual PTO, the PTO lever is located on the left side of the dashboard next to the steering wheel. Move the PTO lever forward to engage the power to the cutting deck or other (separately available) attachments; move the PTO lever rearward to disengage the power to the attachments.

**NOTE:** The PTO lever **must** be in the disengaged (OFF) position when starting the engine, when traveling in reverse and if the operator leaves the seat.

## Seat Adjustment Lever

To adjust the seat forward or backward on units equipped with a quick-adjust seat, slide the seat adjustment lever to the left and reposition the seat to the desired position. Once a comfortable position is found, release the seat adjustment lever to lock the seat in place. Refer to **Seat Adjustment** on page 17 of this manual for more detailed instructions.

## Deck Lift Lever

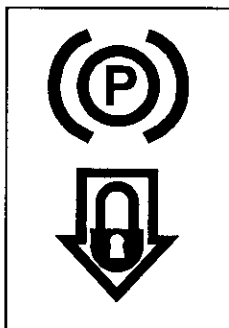
Found on your tractor's right fender, the deck lift lever is used to change the height of the cutting deck. To use, move the lever to the left, then place in the notch best suited for your application.

## Cup Holder

The tractor's cup holder, if so equipped, is located on the fender to the left of the seat, just to the rear of the shift lever.

## Parking Brake Button

To set the parking brake, fully depress the brake pedal and push the parking brake button in. Hold the button in while taking your foot off the brake pedal. Both the parking button and the brake pedal will then stay depressed. To release the parking brake, depress the brake pedal slightly. The parking brake button will then return to its original position.

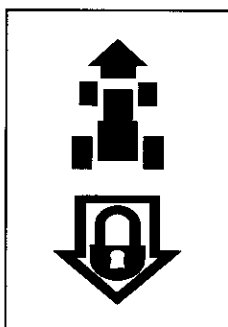


**NOTE:** The parking brake must be set if the operator leaves the seat with the engine running or the engine will automatically shut off.

**IMPORTANT:** Always set the parking brake when leaving the tractor unattended.

## Cruise Control Button

The cruise control button, on models so equipped, is located on the tractor dash panel to the left of the ignition switch. Push the cruise control button while traveling forward at a desired speed. While holding the button in, release pressure from the drive pedal. This will engage the cruise control and allow the tractor to remain at that speed without applying pressure to the drive pedal. Depress the brake pedal or the drive pedal to deactivate cruise control. Refer to **Setting the Cruise Control** on page 14 this manual for detailed instructions regarding the cruise control feature.



**NOTE:** Cruise control can NOT be engaged at the tractor's fastest ground speed. If the operator should attempt to do so, the tractor will automatically decelerate to the fastest optimal mowing ground speed.

## Shift Lever

The shift lever is located on the left side of the fender and has three positions, FORWARD, NEUTRAL and REVERSE. The brake pedal must be depressed and the tractor must not be in motion when the moving shift lever. See Figure 6.

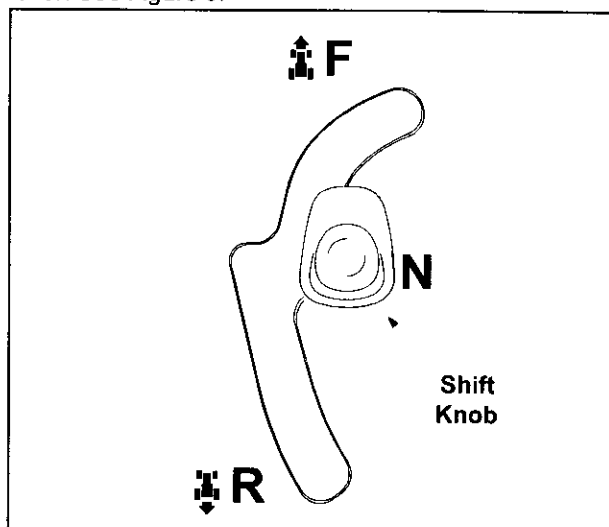


Figure 6

**IMPORTANT:** Never force the shift lever. Doing so may result in serious damage to the tractor's transmission.

## SECTION 5: OPERATING YOUR LAWN TRACTOR



**WARNING:** Read, understand, and follow all instructions and warnings on the machine and in this manual before operating.

### Safety Interlock Switches

This tractor is equipped with a safety interlock system for the protection of the operator. If the interlock system should ever malfunction, do not operate the tractor. Contact an authorized MTD service dealer. The safety interlock system prevents the engine from cranking or starting unless the parking brake is engaged, and the PTO knob (or lever) is in the disengaged (OFF) position.

- The engine will automatically shut off if the operator leaves the seat before engaging the parking brake.
- The engine will automatically shut off if the operator leaves the tractor's seat with the PTO knob (or lever) in the engaged (ON) position, regardless of whether the parking brake is engaged.
- The engine will automatically shut off if the PTO lever, if so equipped, is moved into the engaged (ON) position with the shift lever in position for reverse travel.
- The electric PTO clutch will automatically shut off if the PTO knob, if so equipped, is moved into the engaged (ON) position with the shift lever in position for reverse travel.



## WARNING

### AVOID SERIOUS INJURY OR DEATH

- GO UP AND DOWN SLOPES, NOT ACROSS.
- AVOID SUDDEN TURNS.
- DO NOT OPERATE THE UNIT WHERE IT COULD SLIP OR TIP.
- IF MACHINE STOPS GOING UPHILL, STOP BLADE(S) AND BACK DOWNHILL SLOWLY.
- DO NOT MOW WHEN CHILDREN OR OTHERS ARE AROUND.
- NEVER CARRY CHILDREN, EVEN WITH BLADES OFF.
- LOOK DOWN AND BEHIND BEFORE AND WHILE BACKING.
- KEEP SAFETY DEVICES (GUARDS, SHIELDS, AND SWITCHES) IN PLACE AND WORKING.
- REMOVE OBJECTS THAT COULD BE THROWN BY THE BLADE(S).
- KNOW LOCATION AND FUNCTION OF ALL CONTROLS.
- BE SURE BLADE(S) AND ENGINE ARE STOPPED BEFORE PLACING HANDS OR FEET NEAR BLADE(S).
- BEFORE LEAVING OPERATOR'S POSITION, DISENGAGE BLADE(S), PLACE THE SHIFT LEVER IN NEUTRAL, ENGAGE BRAKE LOCK, SHUT ENGINE OFF AND REMOVE KEY.

### READ OPERATOR'S MANUAL



**WARNING:** Do not operate the tractor if the interlock system is malfunctioning. This system was designed for your safety and protection.

## Setting the Cutting Height

Select the height position of the cutting deck by placing the deck lift lever in any of the six different cutting height notches on the right side of the fender. Then adjust the deck wheels so that they are between ¼-inch and ½-inch above the ground when the tractor is on a smooth, flat surface such as a driveway.



**WARNING:** Keep hands and feet away from the discharge opening of the cutting deck.

**NOTE:** *The deck wheels are an anti-scalp feature of the deck and are not designed to support the weight of the cutting deck.*

Refer to **Leveling the Deck** on page 16 of this manual for more detailed instructions regarding various deck adjustments.

## Starting the Engine



**WARNING:** Do not operate the tractor if the interlock system is malfunctioning. This system was designed for your safety and protection.

**NOTE:** *Refer to the TRACTOR SET-UP on page 8 of this manual for Gasoline and Oil fill-up instructions.*

- Insert the tractor key into the ignition switch.
- Place the PTO knob (or lever) in the disengaged (OFF) position.
- Engage the tractor's parking brake.
- Activate the choke control.

- Turn the ignition key clockwise to the START position. After the engine starts, release the key. It will return to the ON position.

**IMPORTANT:** Do NOT hold the key in the START position for longer than ten seconds at a time. Doing so may cause damage to your engine's electric starter.

- After the engine starts, deactivate the choke control and place the throttle control in the FAST position.

**NOTE:** *Do NOT leave the choke control on while operating the tractor. Doing so will result in a "rich" fuel mixture and cause the engine to run poorly.*

## Stopping the Engine



**WARNING:** If you strike a foreign object, stop the engine, disconnect the spark plug wire(s) and ground against the engine. Thoroughly inspect the machine for any damage. Repair the damage before restarting and operating

- If the blades are engaged, place the PTO knob (or lever) in the disengaged (OFF) position.
- Turn the ignition key counterclockwise to the OFF position.
- Remove the key from the ignition switch to prevent unintended starting.

## Driving The Tractor



**WARNING:** Avoid sudden starts, excessive speed and sudden stops.



**WARNING:** Do not leave the seat of the tractor without first placing the PTO knob (or lever) in the disengaged (OFF) position, depressing the brake pedal and engaging the parking brake. If leaving the tractor unattended, also turn the ignition key off and remove the key.

- Depress the brake pedal to release the parking brake and let the pedal up.
- Move the throttle lever into the FAST (rabbit) position.

**IMPORTANT:** Do NOT use the shift lever to change the direction of travel when the tractor is in motion. Always use the brake pedal to bring the tractor to a complete stop before shifting.

- To move forward, place the shift lever in the FORWARD position, then slowly depress the drive pedal until the desired speed is achieved.
- To move in reverse, place the shift lever in the REVERSE position, check that the area behind is clear then slowly depress the drive pedal.

## Engaging the Parking Brake

To engage the parking brake:

- Fully depress the brake pedal and hold it down with your foot while gently pushing the parking brake button inward.
- Hold the parking brake button in while removing your foot from the brake pedal.
- Once engaged, the parking brake button and the brake pedal will lock in the “down” position.

To disengage the parking brake:

- Slightly depress the brake pedal.

**NOTE:** The parking brake must be engaged if the operator leaves the seat with the engine running or the engine will automatically shut off.

## Driving On Slopes

Refer to the **SLOPE GAUGE** on page 7 to help determine slopes where you may operate the tractor safely.



**WARNING:** Do not mow on inclines with a slope in excess of 15 degrees (a rise of approximately 2-1/2 feet every 10 feet). The tractor could overturn and cause serious injury.

- Mow up and down slopes, NEVER across.
- Exercise extreme caution when changing direction on slopes.
- Watch for holes, ruts, bumps, rocks, or other hidden objects. Uneven terrain could overturn the machine. Tall grass can hide obstacles.
- Avoid turns when driving on a slope. If a turn must be made, turn down the slope. Turning up a slope greatly increases the chance of a roll over.
- Avoid stopping when driving up a slope. If it is necessary to stop while driving up a slope, start up smoothly and carefully to reduce the possibility of flipping the tractor over backward.

## Setting The Cruise Control

**NOTE:** The cruise control feature is NOT standard on all models.

- Place the shift lever in the FORWARD position, then slowly depress the drive pedal until the desired speed is achieved.
- Lightly depress the cruise control button.
- While continuing to hold the cruise button in, lift your foot from the drive pedal (you should feel the cruise latch engage).
- Once engaged, the cruise control button and the drive pedal will lock in the “down” position, and the tractor will maintain the same forward speed.

**NOTE:** Cruise control can not be engaged at the tractor's fastest ground speed. If the operator should attempt to do so, the tractor will automatically decelerate to the fastest optimal mowing ground speed.

Disengage the cruise control using one of the following methods:

- Depress the brake pedal to disengage the cruise control and stop the tractor.
- Lightly depress the drive pedal.

To change to the reverse direction when operating with cruise control, depress the brake pedal to disengage the cruise control and bring the tractor to a complete stop. Then place the shift lever in the REVERSE position and depress the drive pedal.

## Engaging the PTO

Engaging the PTO transfers power to the cutting deck or other (separately available) attachments. To engage the PTO, proceed as follows:

- Move the throttle control lever to the FAST (rabbit) position.

### Models with Manual PTO

- Grasp the PTO lever and pivot it all the way forward into the engaged (ON) position.

### Models with Electric PTO

- Pull the PTO knob outward into the engaged (ON) position. See Figure 7.

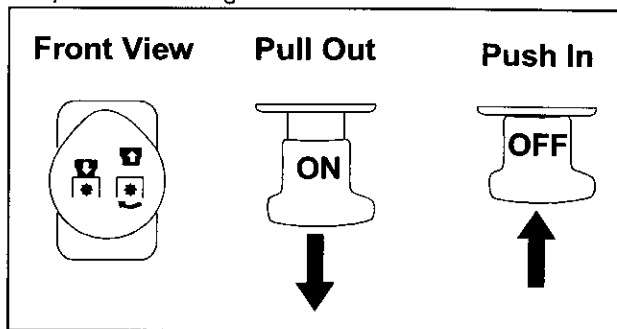


Figure 7

- Keep the throttle lever in the FAST (rabbit) position for the most efficient use of the cutting deck or other (separately available) attachments

**IMPORTANT:** The engine (on models with a manual PTO) or electric PTO clutch (on models with an electric PTO) will automatically shut off if the PTO is engaged with the shift lever in position for reverse travel. Refer to **Safety Interlock Switches** on page 12.

## Using the Deck Lift Lever

To raise the cutting deck, move the deck lift lever to the left, then place it in the notch best suited for your application. Refer to **Setting The Cutting Height** earlier in this section.

## Mowing



**WARNING:** To help avoid blade contact or a thrown object injury, keep bystanders, helpers, children and pets at least 75 feet from the machine while it is in operation. Stop machine if anyone enters the area.

This tractor is equipped with one of MTD's high quality cutting decks. The following information will be helpful when using the cutting deck with your tractor.



**WARNING:** Plan your mowing pattern to avoid discharge of materials toward roads, sidewalks, bystanders and the like. Also, avoid discharging material against a wall or obstruction which may cause discharged material to ricochet back toward the operator.

- Do not mow at high ground speed, especially if a mulch kit or grass collector is installed.
- For best results it is recommended that the first two laps be cut with the discharge thrown towards the center. After the first two laps, reverse the direction to throw the discharge to the outside for the balance of cutting. This will give a better appearance to the lawn.
- Do not cut the grass too short. Short grass invites weed growth and yellows quickly in dry weather.
- Mowing should always be done with the engine at full throttle.
- Under heavier conditions it may be necessary to go back over the cut area a second time to get a clean cut.
- Do NOT attempt to mow heavy brush and weeds and extremely tall grass. Your tractor is designed to mow lawns, NOT clear brush.
- Keep the blades sharp and replace the blades when worn. Refer to **Cutting Blades** on page 20 of this manual for proper blade sharpening instructions.

## Mulching

Some, NOT all, models come equipped with a mulch kit which incorporates special blades, already standard on your tractor, in a process of recirculating grass clippings repeatedly beneath the cutting deck. The ultra-fine clippings are then forced back into the lawn where they act as a natural fertilizer. Observe the following points for the best results when mulching.

- Never attempt to mulch if the lawn is damp. Wet grass tends to stick to the underside of the cutting deck preventing proper mulching of the clippings.
- Do NOT attempt to mulch more than 1/3 the total height of the grass or approximately 1-1/2 inches. Doing so will cause the clippings to clump up beneath the deck and not be mulched effectively.

- Maintain a slow ground speed to allow the grass clippings more time to effectively be mulched.
- Always position the throttle control lever in the FAST (rabbit) position and allow it to remain there while mowing. Failing to keep the engine at full throttle places strain on the tractor's engine and does not allow the blades to properly mulch grass.

**NOTE:** It is not necessary to remove the discharge chute to operate the mower with the mulch kit installed.

### 42-inch Decks

To operate the cutting deck without mulching, on models so equipped, simply remove the mulch plug by unthreading the plastic wing nut which fastens it to the cutting deck. This will allow the clippings to discharge out the side. See Figure 8.

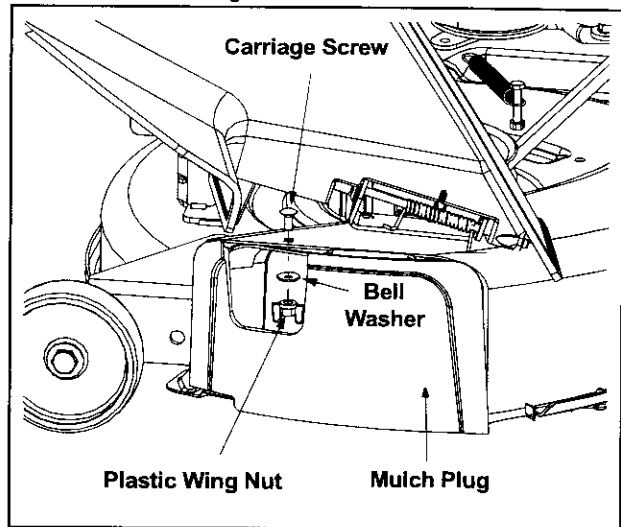


Figure 8

### 46-inch Decks

On models so equipped, the mulch kit is packed separately within the tractor's crate. Observe the instructions included with the mulch kit for the best results when mulching.

## Operating The Headlights

To turn the tractor's headlights on:

- Start the engine following the instructions earlier in this section.
- Turn the key one notch counterclockwise into the On/Lights position of the ignition switch. Refer to Figure 4.

To turn the tractor's headlights off:

- Turn the key either into the On position (to leave the engine running) or the Off position (to shut the engine off). Refer to Figure 4.

**NOTE:** Never move the key into the Start position while the engine is running. Doing so may cause damage to your engine's electric starter.

## SECTION 6: MAKING ADJUSTMENTS



**WARNING:** Never attempt to make any adjustments while the engine is running, except where specified in the operator's manual.



**WARNING:** Disconnect the spark plug wire(s) and ground against the engine before performing any adjustments, repairs or maintenance.

### Leveling the Deck

**NOTE:** Check the tractor's tire pressure before performing any deck leveling adjustments. Refer to *Tires* on page 19 for information regarding tire pressure.

#### Front To Rear

The front of the cutting deck is supported by a stabilizer bar that can be adjusted to level the deck from front to rear. The front of the deck should be between 1/4-inch and 3/8-inch lower than the rear of the deck. Adjust if necessary as follows:

- With the tractor parked on a firm, level surface, place the deck lift lever in the top notch (highest position) and rotate the blade nearest the discharge chute so that it is parallel with the tractor.
- Measure the distance from the front of the blade tip to the ground and the rear of the blade tip to the ground.
- The first measurement taken should be between 1/4" and 3/8" less than the second measurement. Determine the approximate distance necessary for proper adjustment and proceed, if necessary, to the next step.

- Loosen the two jam nuts on the rear side of the deck stabilizer bracket. See Figure 9A.
- Locate the two lock nuts on the opposite side of the stabilizer bracket. See Figure 9A. Tighten the lock nuts to raise the front of the deck; loosen the lock nuts to lower the front of the deck.
- Retighten the two jam nuts loosened earlier when proper adjustment is achieved.

#### Side to Side

If the cutting deck appears to be mowing unevenly, a side to side adjustment can be performed. Adjust if necessary as follows:

- With the tractor parked on a firm, level surface, place the deck lift lever in the top notch (highest position) and rotate both blades so that they are perpendicular with the tractor.
- Measure the distance from the outside of the left blade tip to the ground and the distance from the outside of the right blade tip to the ground. Both measurements taken should be equal. If they're not, proceed to the next step.
- Loosen, but do NOT remove, the hex cap screw on the left deck hanger bracket. See Figure 9B.
- Balance the deck by using a wrench to turn the adjustment gear (found immediately behind the hex cap screw just loosened) clockwise/up or counterclockwise/down.
- The deck is properly balanced when both blade tip measurements taken earlier are equal.
- Retighten the hex cap screw on the left deck hanger bracket when proper adjustment is achieved.

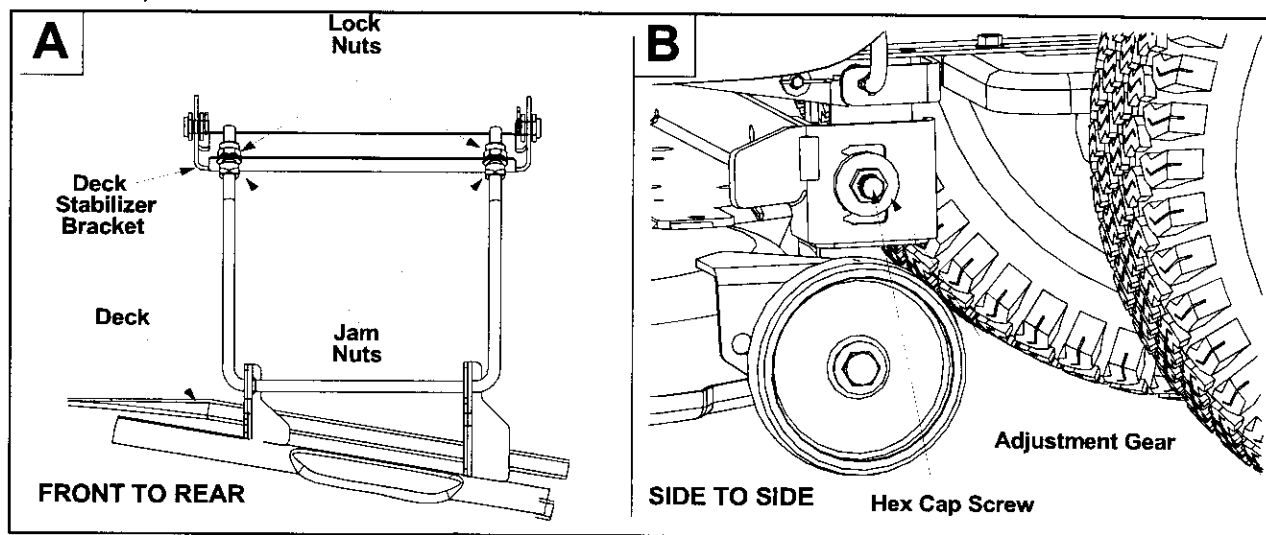


Figure 9



## Parking Brake Adjustment



**WARNING:** Never attempt to adjust the brakes while the engine is running. Always disengage PTO, move shift lever into neutral position, stop engine and remove key to prevent unintended starting.

If the tractor does not come to a complete stop when the brake pedal is completely depressed, or if the tractor's rear wheels can roll with the parking brake applied, the brake is in need of adjustment. The brake disc can be found on the right side of the transmission in the rear of the tractor. Adjust if necessary as follows:

- Looking at the transmission from the right side of the tractor, locate the compression spring and brake disc. See Figure 10.

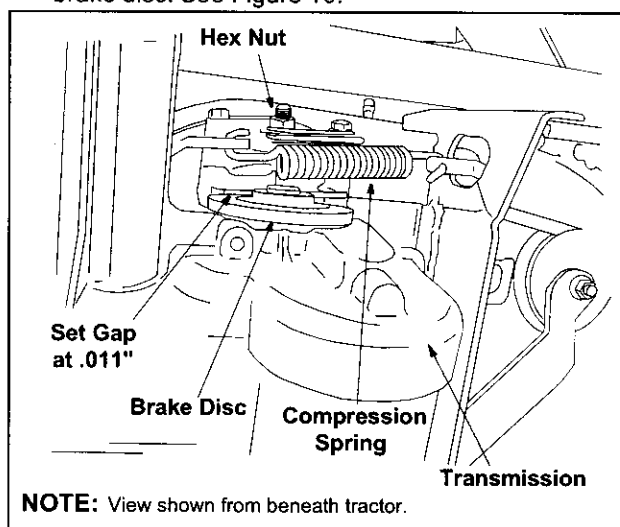


Figure 10

- Loosen, but do NOT remove, the hex nut found on the right side of the brake assembly. See Figure 10.
- Using a feeler gauge, set the gap between the brake disc and the brake puck at .011\".
- Re-tighten the hex nut loosened earlier.

## Seat Adjustment



**WARNING:** Before operating this machine, make sure the seat is engaged in the seat stop, stand behind the machine and pull back on seat until fully engaged into stop.

### Quick-adjust Seat

To adjust the position of the seat on models equipped with a seat adjustment lever, move the lever to the left and slide the seat forward or rearward. Make sure seat is locked into position before operating the tractor.

## Standard Seat

To adjust the position of the seat on models not equipped with a seat adjustment lever, loosen, but do NOT remove the four screws which secure the seat to the seat pivot bracket. Slide the seat forward or backward until desired position is reached. Retighten the four screws. See Figure 11.

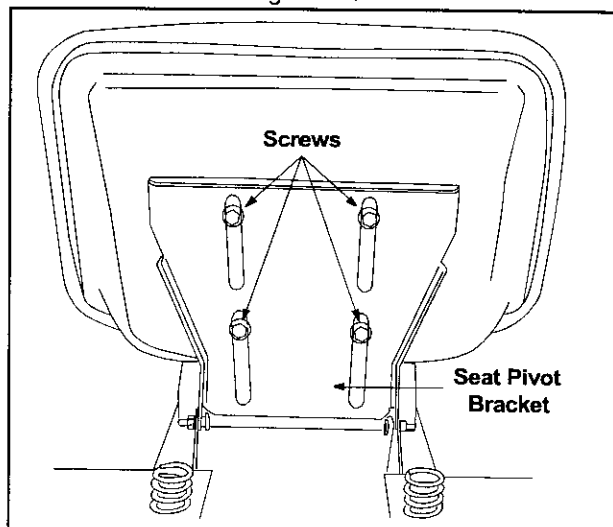


Figure 11

## Steering Adjustment

If the tractor turns tighter in one direction than the other, or if the ball joints are being replaced due to damage or wear, the steering drag links may need to be adjusted.

Adjust the drag links so that equal lengths are threaded into the ball joint on the left side and the ball joint on the right side:

- Loosen the jam nut found on the drag link at the rear of the ball joint. See Figure 12.

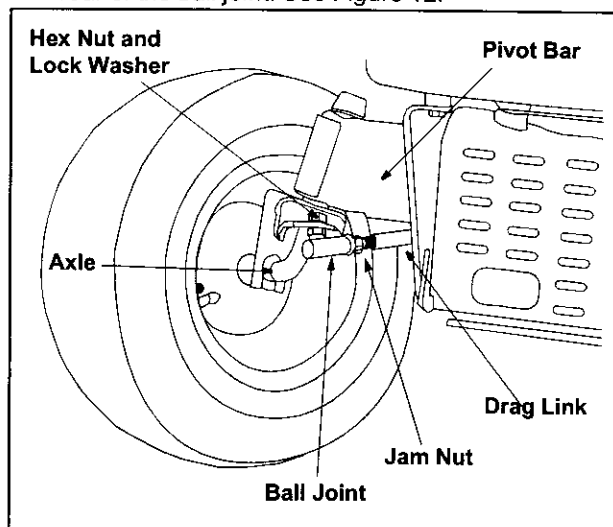


Figure 12

- Remove the hex nut and lock washer on the top of ball joint. See Figure 12.
- Thread the ball joint toward the jam nut to shorten the drag link. Thread the ball joint away from the jam nut to lengthen the drag link.
- Replace hex nut and lock washer and retighten the jam nut after proper adjustment is achieved.

**NOTE:** *Threading the ball joints too far onto the drag links will cause the front tires to "toe-in" too far. Proper toe-in is between 1/16" and 5/16".*

Front tire toe-in can be measured as follows:

- Place the steering wheel in position for straight ahead travel.
- In front of the axle, measure the distance horizontally from the inside of the left rim to the inside of the right rim. Note the distance.
- Behind the axle, measure the distance horizontally from the inside of the left rim to the inside of the right rim. Note the distance.
- The measurement taken in front of the axle should be between 1/16" and 5/16" less than the measurement taken behind the axle. Adjust if necessary.

## SECTION 7: MAINTAINING YOUR LAWN TRACTOR



**WARNING:** Before performing any maintenance or repairs, disengage PTO, move shift lever into neutral position, set parking brake, stop engine and remove key to prevent unintended starting.

### Engine

Refer to the *Briggs & Stratton Operator/Owner Manual* (or *Kohler engine's Owner's Manual*) for engine maintenance instructions.

Check engine oil level before each use as instructed in the *Briggs & Stratton Operator/Owner Manual* (or *Kohler engine's Owner's Manual*) packed with your unit. Follow the instructions carefully.

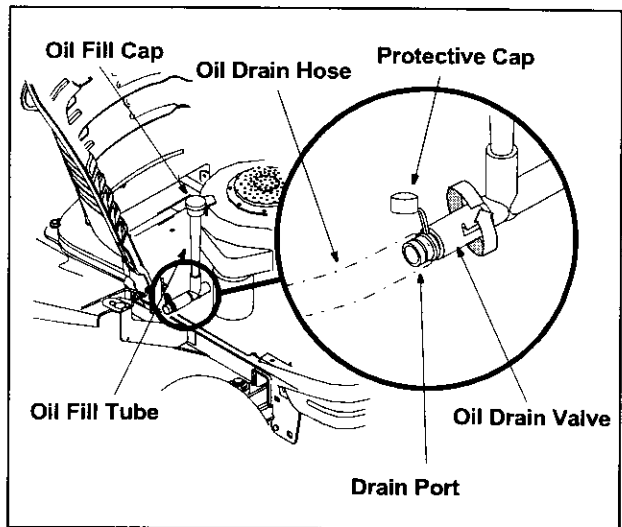
#### Changing Engine Oil

**NOTE:** *Depending on the engine model found on your tractor, it may be necessary to remove the tractor's side panel in order to replace the oil filter (if so equipped).*

- Unscrew oil fill cap and remove dipstick from the oil fill tube. See Figure 13.
- Pop open the protective cap on the end of the oil drain valve to expose the drain port. See Figure 13.
- Push the oil drain hose (packed with this manual) onto the oil drain port. Route the opposite end of the hose into an appropriate oil collection container with a capacity of no less than 64 oz.
- Push the oil drain valve in slightly, then rotate counterclockwise and pull outward to begin draining oil. See Figure 13.
- Service the **oil filter** (if so equipped) as instructed in the separate *Briggs & Stratton Operator/Owner Manual* (or *Kohler engine's Owner's Manual*) packed with your unit.

Perform the above steps in the opposite order after oil has finished draining.

- Refill the engine with new motor oil.



**Figure 13**

**IMPORTANT:** Refer to the *Briggs & Stratton Operator/Owner Manual* (or *Kohler engine's Owner's Manual*) packed with your unit for information regarding the quantity and proper weight of motor oil.

#### Air Cleaner

Service the pre-cleaner, if so equipped, and cartridge/air cleaner element as instructed in the *Briggs & Stratton Operator/Owner Manual* (or *Kohler engine's Owner's Manual*) packed with your unit.

#### Spark Plug(s)

The spark plug(s) should be cleaned and the gap reset once a season. Spark plug replacement is recommended at the start of each mowing season. Refer to the *Briggs & Stratton Operator/Owner Manual* (or *Kohler engine's Owner's Manual*) for correct plug type and gap specifications.

## Lubrication



**WARNING:** Before lubricating, repairing, or inspecting, always disengage PTO, move shift lever into neutral position, set parking brake, stop engine and remove key to prevent unintended starting.

### Engine

Lubricate the engine with motor oil as instructed in the *Briggs & Stratton Operator/Owner Manual* (or *Kohler engine's Owner's Manual*) packed with your unit.

### Pivot Points & Linkage

Lubricate all the pivot points on the drive system, parking brake and lift linkage at least once a season with light oil.

### Rear Wheels

The rear wheels should be removed from the axles once a season. Lubricate the axles and the rims well with an all-purpose grease before re-installing them.

### Front Axles

Each end of the tractor's front pivot bar may be equipped with a grease fitting. Lubricate with a grease gun after every 25 hours of tractor operation.

## Cleaning the Engine And Deck

Any fuel or oil spilled on the machine should be wiped off promptly. Do NOT allow debris to accumulate around the cooling fins of the engine or on any other part of the machine, especially the belts, pulleys and other moving parts. Clean the underside of the deck with a wisk broom, scraper or forced air after each mowing.

**IMPORTANT:** The use of a pressure washer or garden hose to clean your tractor is NOT recommended. It may cause damage to electrical components, spindles, pulleys, bearings or the engine. The use of water will result in a shortened life of the tractor and reduce its serviceability.

## SECTION 8: SERVICE

### Cutting Deck Removal

To remove the cutting deck, proceed as follows:

- Place the PTO knob (or lever) in the disengaged (OFF) position and engage the parking brake.
- Lower the deck by moving the deck lift lever into the bottom notch on the right fender.
- On models equipped with a 42-inch deck, remove the PTO belt from around the cutting deck's center pulley. Refer to Figure 17.
- On models equipped with a 46-inch deck, remove the PTO belt from around the tractor's engine pulley (or electric PTO clutch, if so equipped) and idler pulley(s). Refer to Figure 18.
- Looking at the cutting deck from the left side of the tractor, locate the deck support pin on the rear left side of the deck.
- Pull the deck support pin outward to release the deck from the deck lift arm. See Figure 14.
- Rotate the pin slightly toward the rear of the tractor and release the pin into the hole provided.
- Repeat the above steps on the tractor's right side.
- Move the deck lift lever into the top notch on the right fender to raise the deck lift arms up and out of the way.
- Gently slide the cutting deck toward the front of the tractor allowing the hooks on the deck to release themselves from the deck stabilizer rod.
- Gently slide the cutting deck (from the right side) out from underneath the tractor.

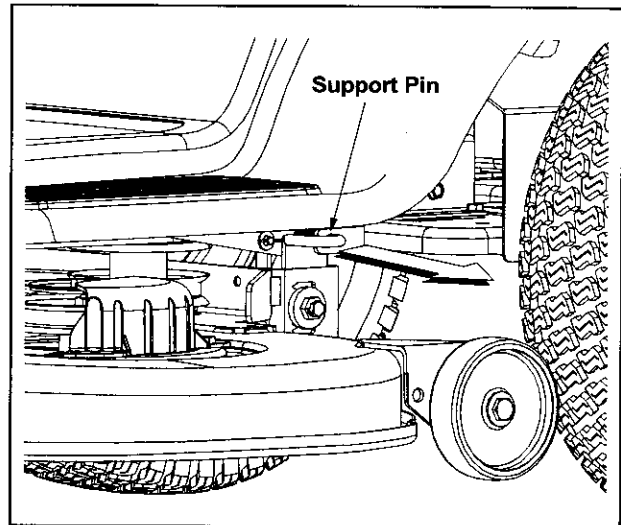


Figure 14

### Tires



**WARNING:** Never exceed the maximum inflation pressure shown on the sidewall of the tire.

The recommended operating tire pressure is approximately 10 psi for the rear tires and approximately 14 psi for the front tires. Refer to the tire sidewall for exact tire manufacturer's recommended or maximum psi. Do not overinflate. Uneven tire pressure could cause the cutting deck to mow unevenly.

## Cutting Blades



**WARNING:** Be sure to shut the engine off, remove ignition key, disconnect the spark plug wire(s) and ground against the engine to prevent unintended starting before removing the cutting blade(s) for sharpening or replacement. Protect your hands by using heavy gloves or a rag to grasp the cutting blade.



**WARNING:** Periodically inspect the blade adapter and/or spindle for cracks or damage, especially if you strike a foreign object. Replace immediately if damaged.

The blades may be removed as follows.

- Remove the deck from beneath the tractor, (refer to **Cutting Deck Removal** on page 19) then gently flip the deck over to expose its underside.
- Place a block of wood between the center deck housing baffle and the cutting blade to act as a stabilizer. See Figure 15.

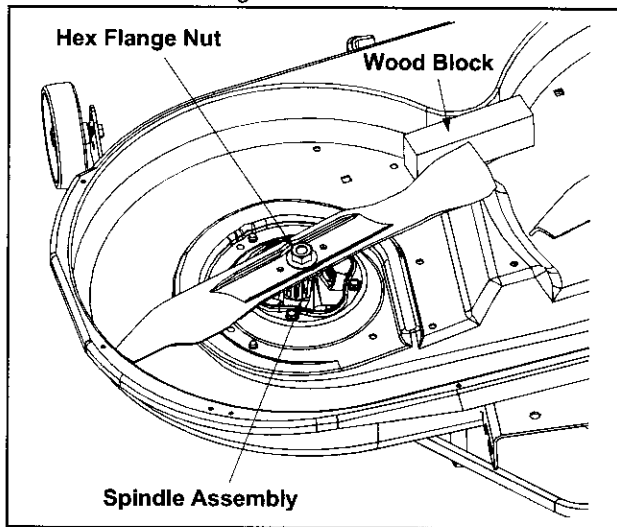


Figure 15

- Use a 15/16" wrench to remove the hex flange nut that secures the blade to the spindle assembly. See Figure 15.

To properly sharpen the cutting blades, remove equal amounts of metal from both ends of the blades along the cutting edges, parallel to the trailing edge, at a 25° to 30° angle. See Figure 16.

**IMPORTANT:** if the cutting edge of the blade has already been sharpened to within 5/8" of the wind wing radius, or if any metal separation is present, replace the blades with new ones. See Figure 16.

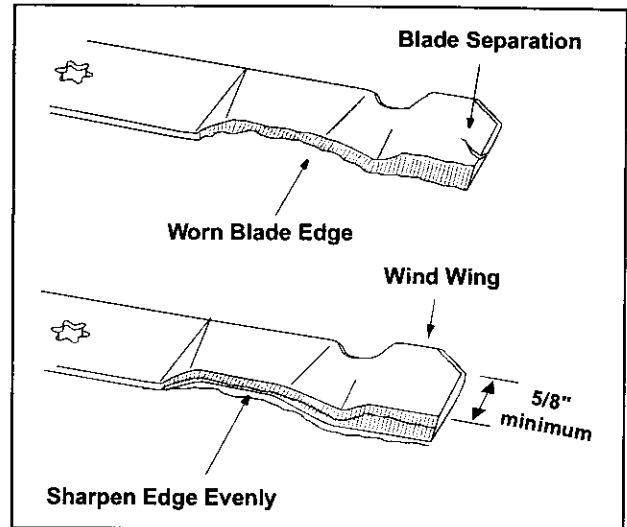


Figure 16

It is important that each cutting blade edge be ground equally to maintain proper blade balance.

A poorly balanced blade will cause excessive vibration and may cause damage to the tractor and result in personal injury.

The blade can be tested by balancing it on a round shaft screwdriver. Grind metal from the heavy side until it balances evenly.

When replacing the blade, be sure to install the blade with the side of the blade marked "Bottom" (or with a part number stamped in it) facing the ground when the mower is in the operating position.

**IMPORTANT:** Use a torque wrench to tighten the blade spindle hex flange nut to between 70 foot-pounds and 90 foot-pounds.

## Fuses

Two fuses are installed in your tractor's wiring harness to protect the tractor's electrical system from damage caused by excessive amperage.

If the electrical system does not function, or your tractor's engine will not crank, first check to be certain that the fuse has not blown.

One can be found under the hood mounted behind the top of the dash panel on the support bar.

The other can be found under the seat mounted to the inside of the tractor frame next to the battery tray. Pull the fuse out and inspect it to determine if it is good or blown.



**WARNING:** Always use a fuse with the same amperage capacity for replacement.

## Changing the Deck Belt & PTO Belt



**WARNING:** Be sure to shut the engine off, remove ignition key, disconnect the spark plug wire(s) and ground against the engine to prevent unintended starting before removing the belt(s).

All belts on your tractor are subject to wear and should be replaced if any signs of wear are present.

**IMPORTANT:** The V-belts found on your tractor are specially designed to engage and disengage safely. A substitute (non-OEM) V-belt can be dangerous by not disengaging completely. For a proper working machine, use factory approved belts.

To change or replace the deck belt and PTO belt on your tractor, proceed as follows:

- Lower the deck by moving the deck lift lever into the bottom notch on the right fender.
- Remove the belt guards by removing the self-tapping screws that fasten them to the deck.
- Grasp the rearmost portion of the PTO idler bracket and pivot it toward the discharge chute to relieve tension on the PTO belt.
- Remove the PTO belt from around the engine pulley (or electric PTO clutch) and from around the PTO idler pulley(s).
- Grasp the deck idler pulley and pivot it toward the left to relieve tension on the deck belt.
- Remove the deck belt from around all pulleys, including the deck idler pulley.
- Route the new belts (deck belt first) as shown in Figure 17 and Figure 18.
- Remount the belt guards removed earlier.

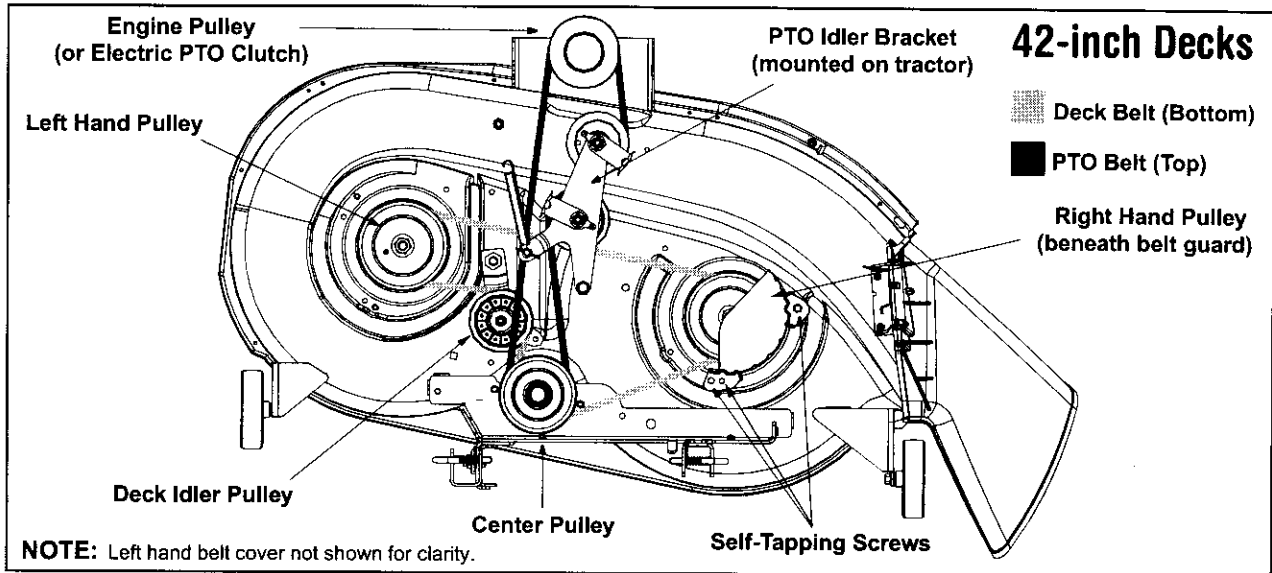


Figure 17

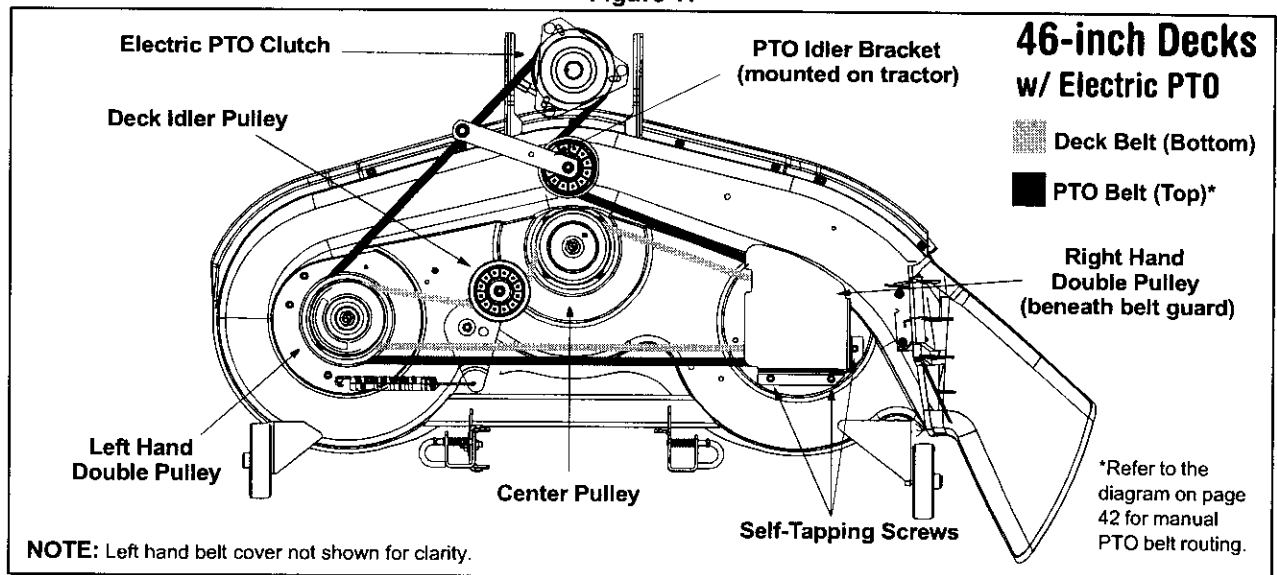


Figure 18

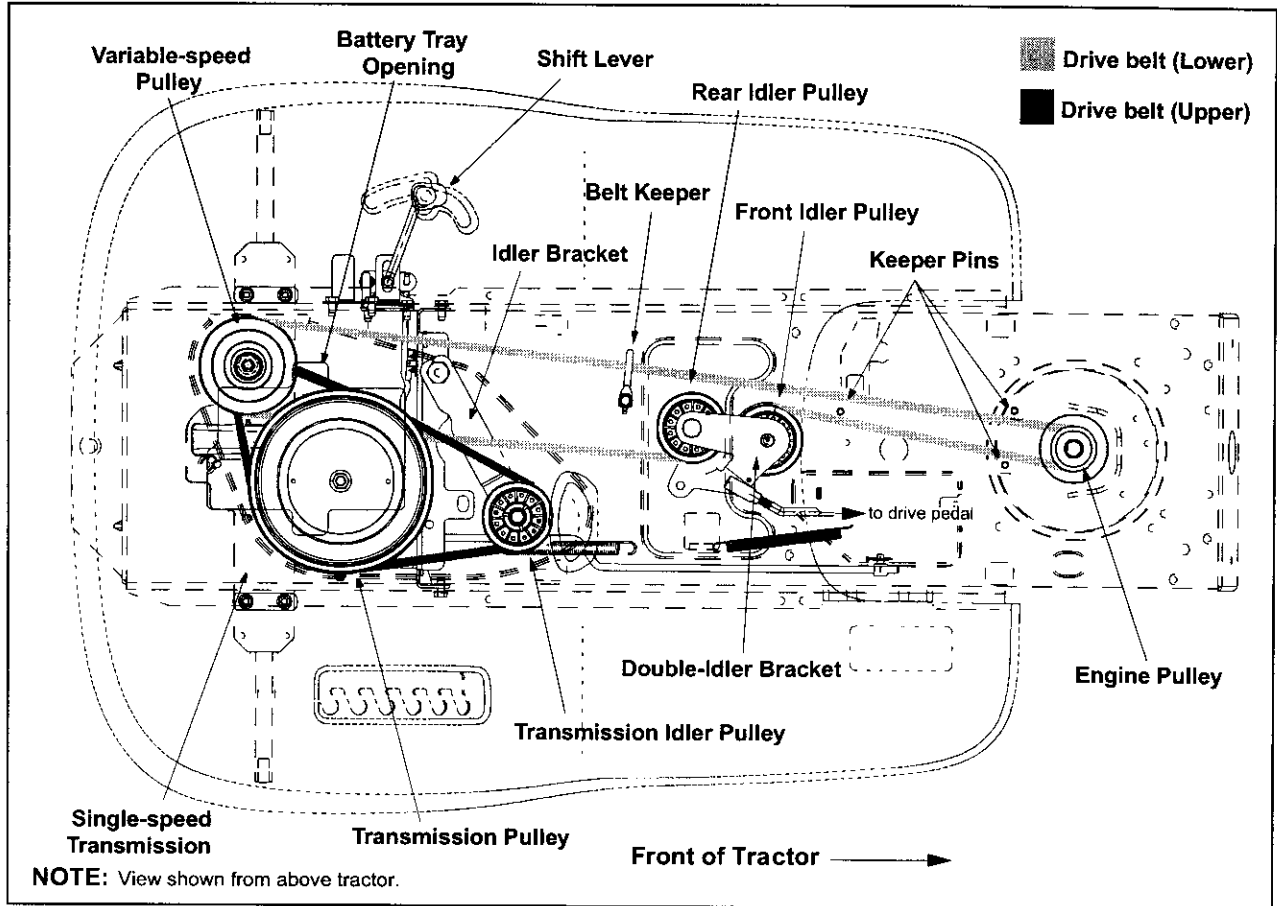


Figure 19

## Changing the Transmission Drive Belt



**WARNING:** Be sure to shut the engine off, remove ignition key, disconnect the spark plug wire(s) and ground against the engine to prevent unintended starting before removing the belt(s)

All belts on your tractor are subject to wear and should be replaced if any signs of wear are present.

**IMPORTANT:** The V-belts found on your tractor are specially designed to engage and disengage safely. A substitute (non-OEM) V-belt can be dangerous by not disengaging completely. For a proper working machine, use factory approved belts.

To change or replace the drive belt on your tractor, proceed as follows:

- Remove the cutting deck as instructed earlier in this section.
- After disconnecting the battery cables, remove the battery and battery tray from beneath the seat.

**IMPORTANT:** When removing the battery, disconnect the NEGATIVE (Black) wire from its terminal first, followed by the POSITIVE (Red) wire. Re-install in reverse order.

### Upper Drive Belt

- Locate the transmission idler pulley on the upper drive belt by looking through the battery tray opening. See Figure 19.
- Grasp the bracket and pivot the transmission idler pulley toward the rear of the tractor to release tension on the upper drive belt.
- Remove the belt from around the transmission idler pulley.
- Remove the upper drive belt from around the transmission pulley and the variable-speed pulley.

**NOTE:** Slowly rotate the pulley counterclockwise to roll the belt off of it.

- Remove the upper drive belt by pulling it up through the battery tray opening.
- Reroute the new upper drive belt as shown in Figure 19.

## Lower Drive Belt

**NOTE:** Proper removal of the lower drive belt requires the removal of several tractor components. Read through the following procedure prior to attempting it to determine if you feel you could successfully complete it. If you don't, see an authorized MTD service dealer to have the belt changed.

**IMPORTANT:** Note the routing of the lower drive belt around all the pulleys and the belt keepers BEFORE performing the following steps.

- Locate the variable-speed pulley through the battery tray opening. See Figure 19.
- Remove the variable-speed pulley by loosening the hex bolt that secures it to the transmission. Use a second wrench to hold the hex nut on the bottom side of the pulley.
- Slide the lower drive belt off of the variable-speed pulley as you lift the pulley up and out through the battery tray opening.
- Remove the rear idler pulley from the double-idler bracket while unrouting the belt from around both the rear and the front idler pulley. Refer to Figure 19.
- Remove the hex bolt from the center of the engine pulley (or electric PTO clutch, if so equipped) and gently lower it off of the engine crankshaft. Be careful not to lose any washers or spacers which may be found on top of the engine pulley.

**IMPORTANT:** When remounting the engine pulley (or electric PTO clutch), torque the center hex bolt to between 38 foot-pounds and 50 foot-pounds.

- Remove the drive belt by feeding it from both ends toward the front idler pulley on the double-idler bracket. See Figure 19.
- Reassemble by following the above steps in reverse order.
- Route the replacement belt around the pulleys, belt keepers and keeper pins EXACTLY as the old one was routed. Refer to Figure 19.

The drive pedal is properly adjusted when the hole found in the double-idler bracket has approximately 1-3/8" of travel with ten pounds of pressure applied to the drive pedal. See Figure 20.

Adjust the drive pedal after replacing the drive belts on your tractor, if necessary, as follows:

- Locate the speed control assembly on the underside of the steering support bracket. See Figure 21.
- Remove both hairpin clips from the pin which is fastened to the speed control assembly (be careful not to lose the small flat washers found on the pin). See Figure 21.
- Remove the drive pedal return spring.

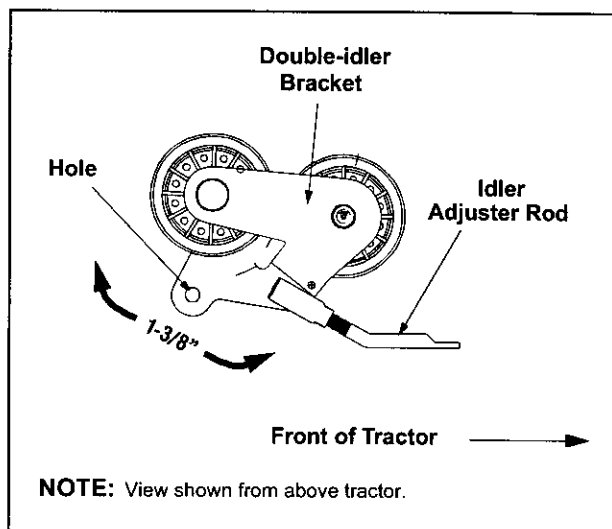


Figure 20

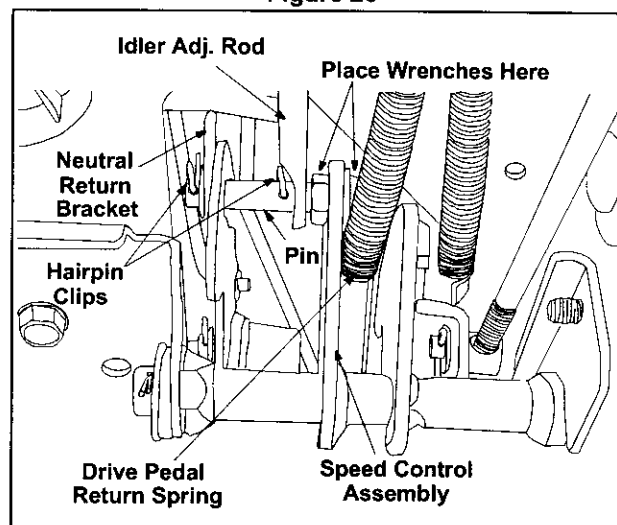


Figure 21

Using two 9/16" wrenches, remove the pin from the speed control assembly. See Figure 21.

Thread the idler adjustment rod inward or outward to lengthen or shorten the travel of the double-idler bracket until proper adjustment is achieved.

- Reassemble by following the above steps in reverse order.

## Battery

The battery is sealed and is maintenance-free. Acid levels cannot be checked.

- Always keep the battery cables and terminals clean and free of corrosive build-up.
- After cleaning the battery and terminals, apply a light coat of petroleum jelly or grease to both terminals.

- Always keep the rubber boot positioned over the positive terminal to prevent shorting.

**IMPORTANT:** If removing the battery for any reason, disconnect the NEGATIVE (Black) wire from its terminal first, followed by the POSITIVE (Red) wire. When re-installing the battery, always connect the POSITIVE (Red) wire its terminal first, followed by the NEGATIVE (Black) wire. Be certain that the wires are connected to the correct terminals; reversing them could change the polarity and cause damage to your engine's alternating system.

### Charging

If the unit has not been put into use for an extended period of time, charge the battery with an automotive-type 12-volt charger for a minimum of one hour at six amps.



**WARNING:** Batteries give off an explosive gas while charging. Charge battery in a well ventilated area and keep away from an open flame or pilot light as on a water heater, space heater, furnace, clothes dryer or other gas appliances.

## SECTION 9: OFF-SEASON STORAGE

Clean and lubricate the tractor as instructed in **Section 7: MAINTAINING YOUR LAWN TRACTOR** on page 18 of this manual before storing for an extended period.



**WARNING:** Drain fuel only into an approved container outdoors, away from an open flame. Allow engine to cool. Extinguish cigarettes, cigars, pipes, and other sources of ignition prior to draining fuel.

Follow the instructions in the **Service, Storage & Specifications** section of the *Briggs & Stratton Operator/Owner Manual* (or *Kohler engines Manual*) for proper engine care prior to storing your tractor.



**WARNING:** Never store the machine or fuel container indoors where there is an open flame, spark or pilot light such as on water heater, furnace, clothes dryer or other gas appliance.

## SECTION 10: ATTACHMENTS & ACCESSORIES

The following attachments and accessories are compatible for **Lawn Tractor Models 607, 608 & 609**. See the retailer from which you purchased your tractor, an authorized *MTD Service Dealer* or phone (800) 800-7310 for information regarding price and availability.

**NOTE:** *Lawn tractor models 607, 608 & 609 are NOT designed for use with any type of ground-engaging attachments (e.g. tiller or plow). Use of this type of equipment WILL void the tractor's warranty.*

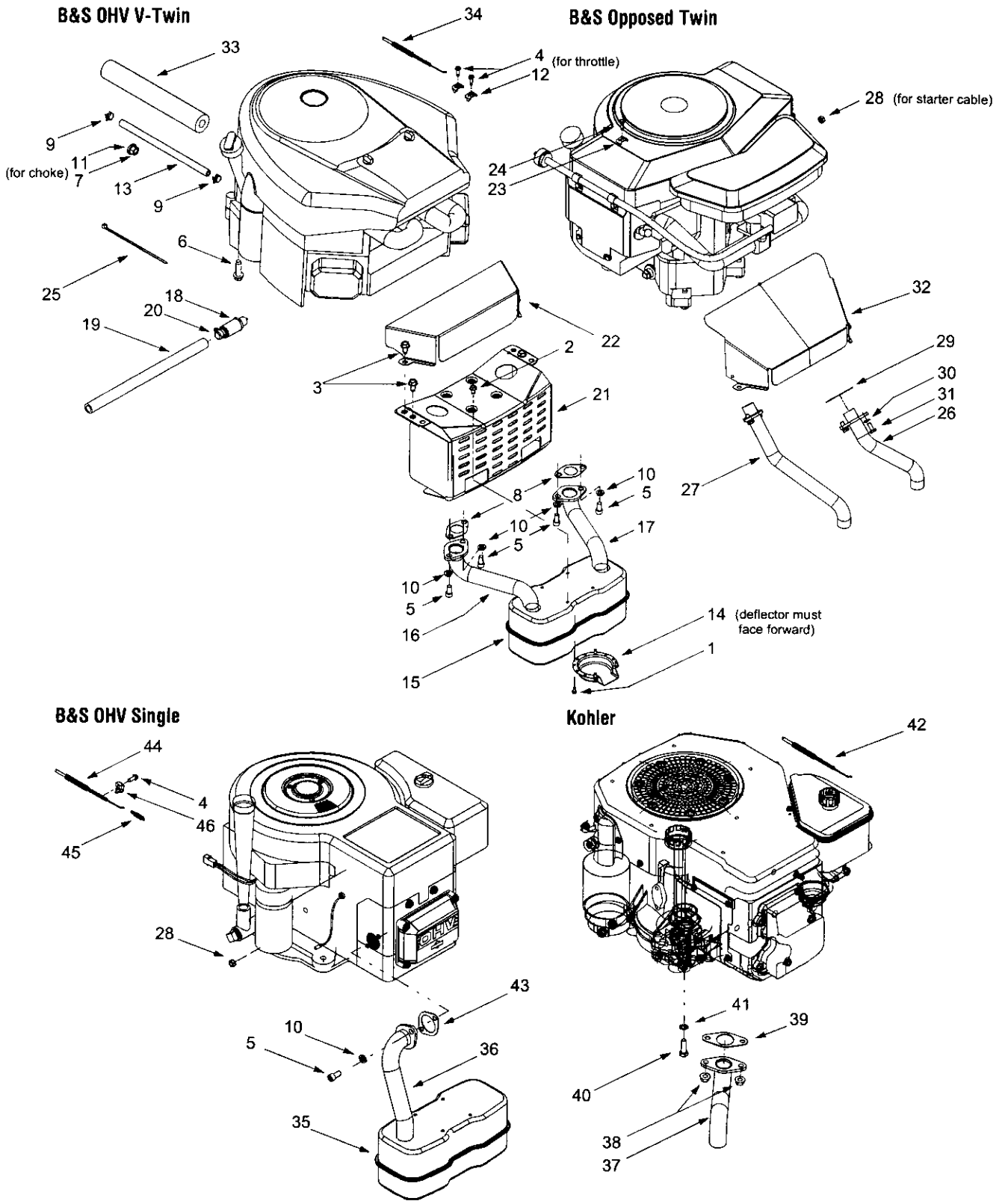
MODEL	DESCRIPTION
OEM-190-116	42-inch Deck Mulch Kit
OEM-190-118	46-inch Deck Mulch Kit
OEM-190-601	FastAttach™ Twin Bagger Grass Collector (for 42-inch Decks)
OEM-190-602	FastAttach™ Twin Bagger Grass Collector (for 46-inch Decks)
OEM-190-603	FastAttach™ Grille Guard (mounts on front of tractor)
OEM-190-604	FastAttach™ Yard-Mate™ Storage Container/Toolbox (mounts on rear of tractor)
OEM-190-607	FastAttach™ Deluxe Tractor Sunshade
OEM-190-822	FastAttach™ 46-inch Front Dozer Blade
OEM-190-823	FastAttach™ 42-inch Two-stage Snow Thrower



## SECTION 11: TROUBLESHOOTING

Trouble	Possible Cause(s)	Corrective Action
Engine fails to start	<p>PTO engaged.</p> <p>Parking brake not engaged. Spark plug wire(s) disconnected. Throttle control lever not in correct starting position. Choke not activated</p> <p>Fuel tank empty, or stale fuel. Blocked fuel line. Faulty spark plug. Engine flooded.</p>	<p>Place PTO knob (or lever) in disengaged (OFF) position.</p> <p>Engage parking brake. Connect wire(s) to spark plug(s). Place throttle lever to FAST position.</p> <p>Pull out the CHOKE control (if so equipped) or place the throttle control in CHOKE position. Fill tank with clean, fresh (less than 30 days old) gas. Clean fuel line or replace fuel filter, if so equipped. Clean, adjust gap or replace plug. Crank engine with throttle in FAST position.</p>
Engine runs erratic	<p>Unit running with CHOKE applied.</p> <p>Spark plug wire(s) loose. Blocked fuel line or stale fuel.</p> <p>Vent in gas cap plugged. Water or dirt in fuel system.</p> <p>Dirty air cleaner.</p>	<p>Push CHOKE control (if so equipped) in, or move the throttle control out of the CHOKE position. Connect and tighten spark plug wire(s). Clean fuel line; fill tank with clean, fresh (less than 30 days old) gasoline. Replace fuel filter, if so equipped. Clear vent or replace cap if damaged. Drain fuel tank. Refill with clean, fresh (less than 30 days old) gasoline. Replace air cleaner cartridge/element or clean pre-cleaner, if so equipped.</p>
Engine overheats	<p>Engine oil level low. Air flow restricted.</p>	<p>Fill crankcase with proper capacity and weight of oil. Clean grass clippings and debris from around the engine's cooling fins and blower housing.</p>
Engine hesitates at high RPM	<p>Spark plug(s) gap too close.</p>	<p>Remove spark plug(s) and reset the gap.</p>
Idles poorly	<p>Spark plug(s) fouled, faulty or gap too wide. Dirty air cleaner.</p>	<p>Replace spark plug(s). Set plug(s) gap.</p> <p>Replace air cleaner cartridge/element or clean pre-cleaner, if so equipped.</p>
Excessive vibration	<p>Cutting blade loose or unbalanced. Damaged or bent cutting blade.</p>	<p>Tighten blade and spindle. Balance blade. Replace blade.</p>
Mower will not mulch grass	<p>Engine speed too low. Wet grass. Excessively high grass.</p> <p>Dull blade.</p>	<p>Place throttle control in FAST (rabbit) position. Do not mow when grass is wet; wait until later to cut. Mow once at a high cutting height, then mow again at desired height or make a narrower cutting swath. Sharpen or replace blade.</p>
Uneven cut	<p>Deck not balanced properly. Dull blade. Uneven tire pressure.</p>	<p>Perform side-to-side deck adjustment. Sharpen or replace blade. Check tire pressure in all four tires.</p>

# SECTION 12: MODELS 607, 608 & 609 PARTS LIST

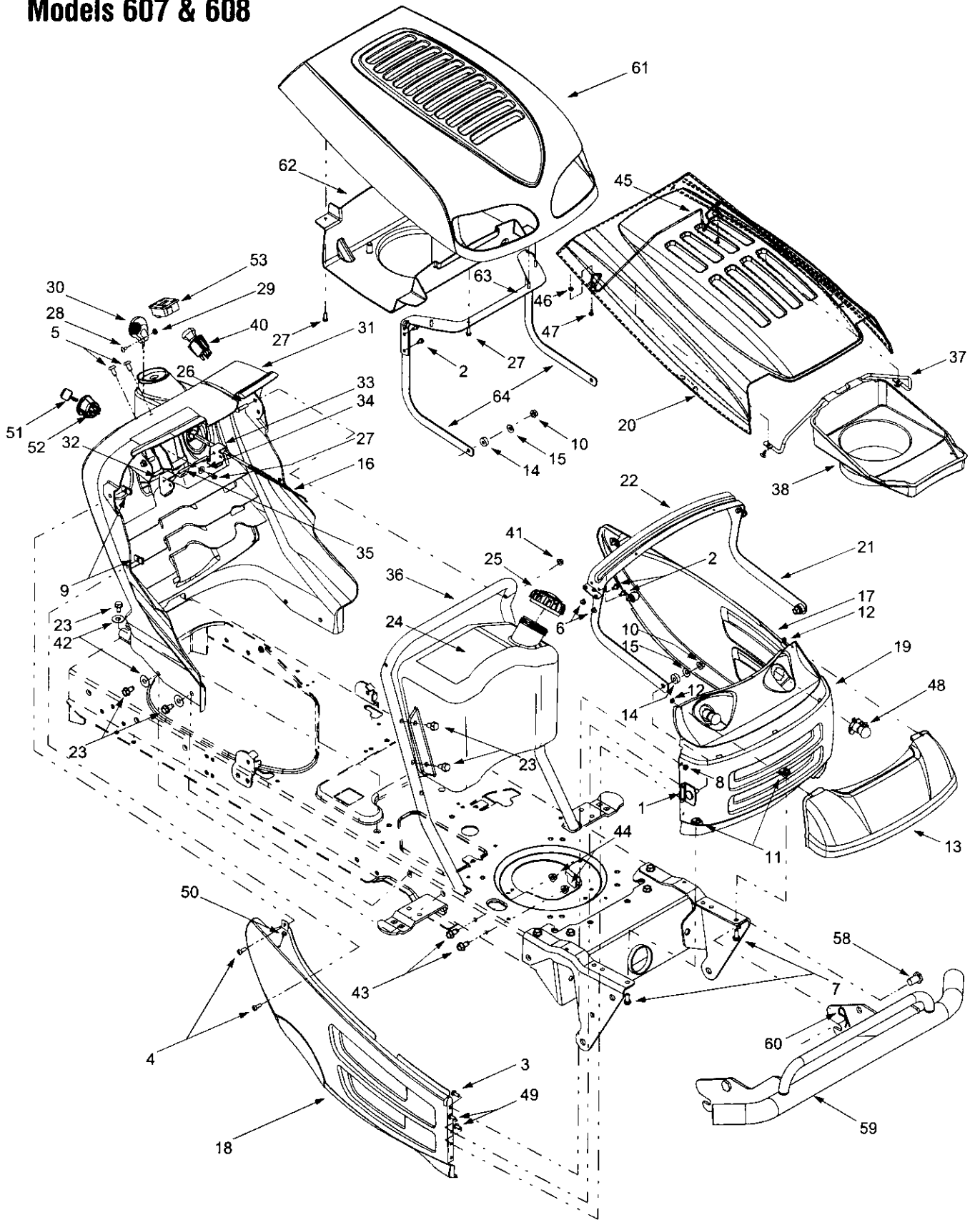


## Models 607, 608 & 609

REF. NO.	PART NO.	DESCRIPTION
1	710-0148	Self-tapping Screw, #8-32 x .375
2	710-0599	Self-tapping Screw, 1/4-20 x .5
3	710-0604A	Self-tapping Screw, 5/16-18 x .625
4	710-1237	Screw, #10-32 x .625 (B&S OHV V-Twin)
5	710-1314	Socket Cap Screw, 5/16-18 x .625
6	710-1315	Self-tapping Screw, 3/8-16 x 1.25
7	712-3017	Hex Nut, 3/8-16
8	721-0460	Exhaust Gasket (B&S OHV V-Twin)
9	726-0205	Hose Clamp
10	736-0119	Lock Washer, 5/16
11	736-0300	Lock Washer, .406 x .875 x .059
12	751B221535	Casing Clamp (B&S OHV V-Twin)
13	751-0535	Fuel Line Hose
14	751-0564	Muffler Deflector
15	751-0616	Muffler, Twin Inlet (B&S Opposed Twin & OHV V-Twin)
16	751-0650	RH Exhaust Pipe (B&S OHV V-Twin)
17	751-0651	LH Exhaust Pipe (B&S OHV V-Twin)
18	751-3140	Oil Drain Valve
19	751-3141	Oil Drain Hose
20	751-3142	Oil Drain Cap
21	783-0615	Muffler Heat Shield
22	783-0625B	Engine Heat Shield (B&S OHV V-Twin)
23	726-0272	Clamp, 9/16 (B&S Opposed Twin)
24	712-0779A	Screw, #10-16 x .5 (B&S Opposed Twin)
25	725-0157	Cable Tie
26	751-0623	LH Exhaust Pipe (B&S Opposed Twin)
27	751-0624	RH Exhaust Pipe (B&S Opposed Twin)
28	712-0271	Hex Sems Nut, 1/4-20 (B&S Opposed Twin & OHV Single)
29	721-0346	Exhaust Gasket (B&S Opposed Twin)
30	736-0329	Lock Washer, 1/4 (B&S Opposed Twin)
31	710-0751	Hex Screw, 1/4-20 x .620 (B&S Opposed Twin)
32	783-0357A	Heat Shield (B&S Opposed Twin)
33	722-0263	Foam, .625 x 1.5 x 10 (fits over fuel line)
34	746-1086	Throttle Cable (B&S Opposed Twin & OHV V-Twin)
35	751-0617	Muffler, Single Inlet (B&S OHV Single & Kohler)
36	751-0619	Exhaust Pipe (B&S OHV Single)
37	751-0621	Exhaust Pipe (Kohler)
38	712-3086	Flange Nut, 8mm (Kohler)
39	721-0375	Exhaust Gasket (Kohler)
40	710-3206A	Hex Cap Screw, 8mm (Kohler)
41	736-0607	External Lock Washer (Kohler)
42	746-1087	Throttle Cable (Kohler)
43	721-0208	Exhaust Gasket (B&S OHV Single)
44	746-1084	Throttle Cable (B&S OHV Single)
45	732-0966	Extension Spring, .275 x 1.25 (B&S OHV Single)
46	751B213146	Casing Clamp (B&S OHV Single)

**NOTE:** Engine accessory parts are applicable to all 607, 608 & 609 model tractors except where otherwise noted.

# Models 607 & 608

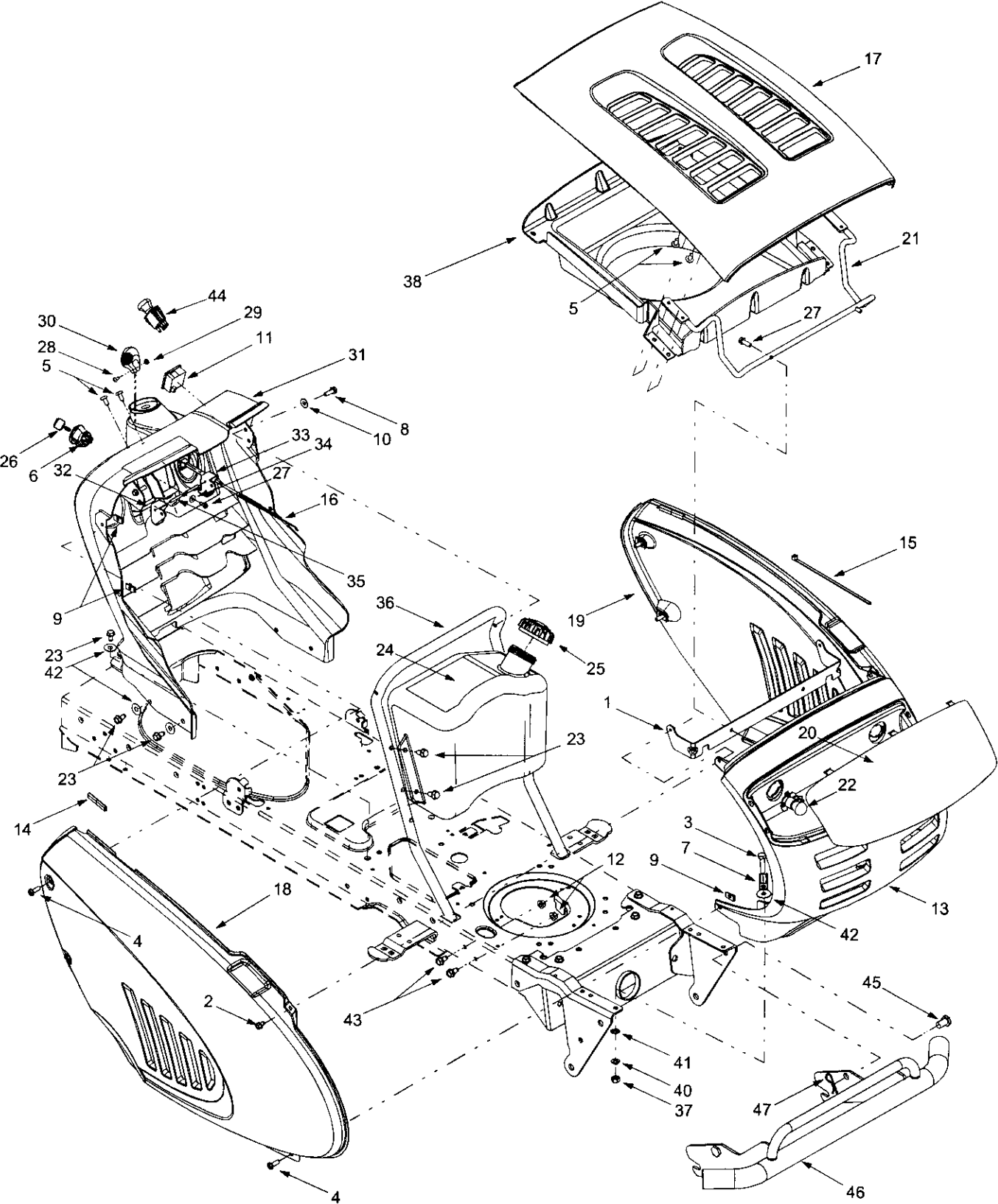


## Models 607 & 608

REF. NO.	PART NO.	DESCRIPTION	REF. NO.	PART NO.	DESCRIPTION
1	683-0195	Bracket Assembly (8-style)	36	749-1087A	Dash Support Tube
2	710-0599	Self-tapping Screw, 1/4-20 x .5	37	747-1184	Hood Plenum Support Rod
3	710-0751	Hex Cap Screw, 1/4-20 x .62	38	731-2247A	Hood Plenum
4	710-0924	Phillips Pan Screw, 1/4-20 x .75			(Models with B&S OHV V-Twin)
5	710-1017	Truss Phillips Screw, 1/4-20 x .625		731-2248	Hood Plenum
6	710-1268	Screw, #10-16 x .375			(Models with B&S Opposed Twin)
7	710-0376	Hex Cap Screw, 5/16-18 x 1.0		N/A	Hood Plenum
8	712-0271	Hex Sems Nut, 1/4-20			(Models with B&S OHV Single or Kohler)
9	712-0292	U-type Speed Nut, 1/4-20	39	726-3046	Ratchet Clip
10	712-0431	Flange Lock Nut, 3/8-16	40	725-1752	Electric PTO Switch
11	726-0211	U-nut, 5/16-18	41	712-3027	Hex Flange Lock Nut, 1/4-20
12	726-0293	Retainer Nut, 3/8	42	736-3078	Flat Washer, .349 x 1.0 x .063
13	731-1854A	Headlight Lens (8-style)	43	710-1238	Screw, 5/16-18 x .875 (Grade 5)
14	735-0126	Rubber Washer, .87 x .33	44	712-3004A	Hex Nut, 5/16-18
15	736-0105	Bell Washer, .401 x .87 x .063	45	747-1215A	Hood Latch
16	746-1085	Choke Knob/Cable	46	712-0272	Hex Sems Nut, #10-32
		(Models with any B&S Twin)	47	710-0473	Machine Screw, #10-24
	746-1088	Choke Knob/Cable	48	625-0051	Headlight Assembly
		(Models with Kohler)	49	710-0896	Hex Index Washer Screw, 1/4-14 x .0625
17	783-0475A	LH Side Panel (8-style)	50	735-0199A	Rubber Bumper
18	783-0476B	RH Side Panel (8-style)	51	725-1745	Ignition Key w/ plastic cover
19	783-0477A	Grill (8-style)		725-1744	Ignition Key w/o plastic cover
20	783-0478A	Hood (8-style)	52	725-1741	Ignition Switch
21	783-1309	Hood Hinge Bracket	53	725-1976	Systems Indicator Monitor w/ Hour Meter
22	783-0553A	Hood Support Bracket		725-1758	Systems Indicator Monitor w/ Ammeter
23	710-0604A	Self-tapping Screw, 5/16-18 x .625	58	711-0332	Clevis Pin, .50 x .78
24	751-0658B	Fuel Tank, Three Gallon	59	768-0010	Bumper Assembly
	751-0659A	Fuel Tank, Two Gallon (Shown)	60	714-0145	Internal Cotter Pin
25	751-0603	Fuel Cap (Fits Either Tank)	61	731-2300	Hood, Red (7-Style)
26	710-0809	Self-tapping Screw, 1/4-20 x 1.25		731-2301	Hood, Green (7-Style)
27	710-0895	Self-tapping Screw, 1/4-15 x .75		731-2302	Hood, Black (7-Style)
28	710-3217	Truss Phillips Screw, #8-32 x .375		731-2303	Hood, Charcoal Grey (7-Style)
29	712-0142	Hex Nut, #8-32	62	731-2306	Hood Plenum
30	731-1857	Throttle Control Knob	63	783-1034	Hood Bracket (7-Style)
31	731-2225	Dash Panel (Models w/ Electric PTO)	64	783-1038A	Hood Side Bracket (7-Style)
	731-2122	Dash Panel (Models w/ Manual PTO)	—	629-0309	Headlight Wire Harness
32	731-2226	Cruise Control Button	—	629-1071	Tractor Wire Harness
33	731-2227	Parking Brake Button			(Models with Electric PTO)
34	736-0142	Flat Washer, 9/32 x 1/2 x 1/16	—	629-0944	Tractor Wire Harness
35	747-1196	Brake/Cruise Pivot Rod			(Models with Manual PTO)

**NOTE:** Tractor features vary by model. NOT all parts listed above and pictured on the previous page are standard equipment.

# Model 609

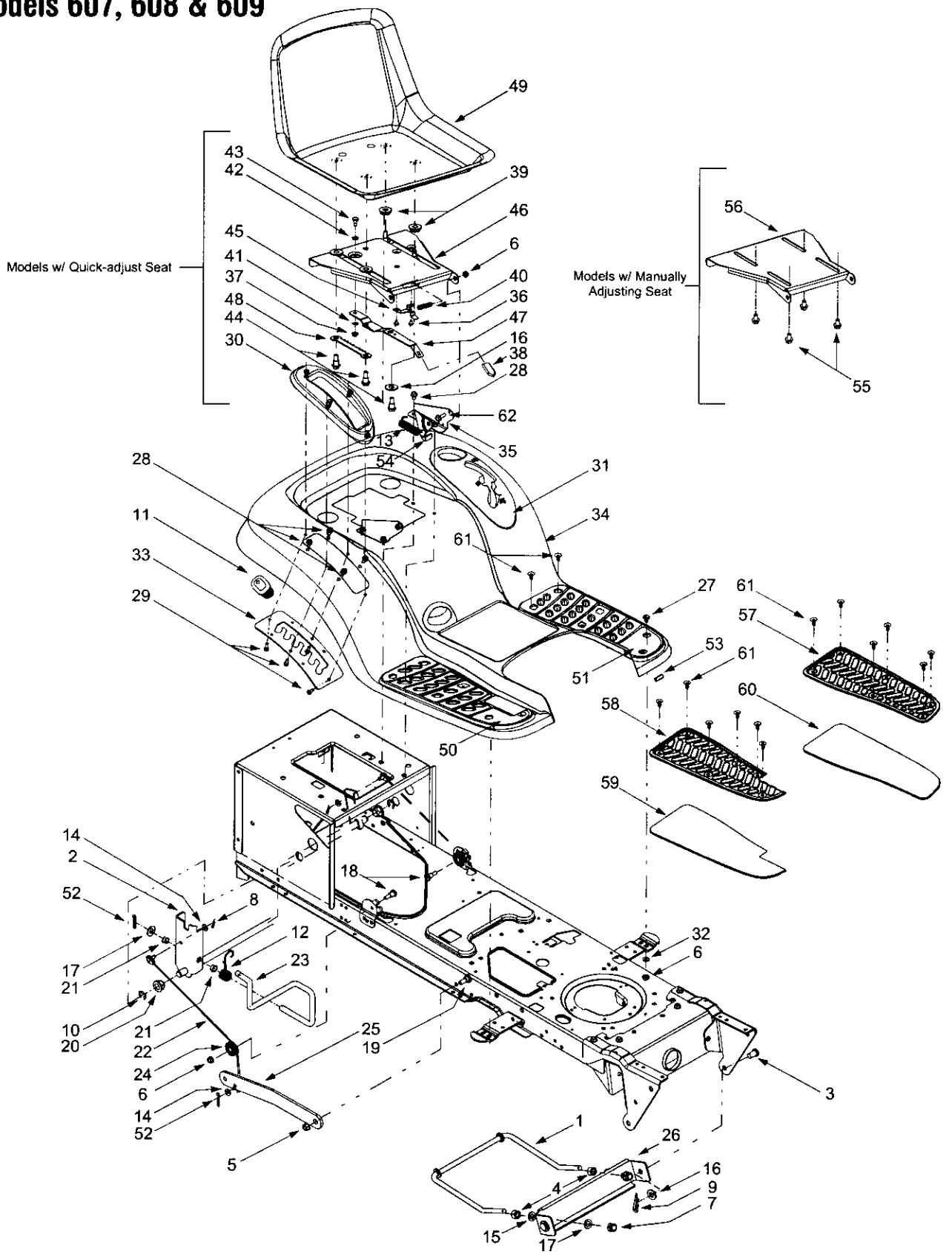


## Model 609

REF. NO.	PART NO.	DESCRIPTION	REF. NO.	PART NO.	DESCRIPTION
1	783-1346	Grill Support Bracket (9-style)	28	710-3217	Truss Phillips Screw, #8-32 x .375
2	710-0599	Self-tapping Screw, 1/4-20 x .5	29	712-0142	Hex Nut, #8-32
3	710-0528	Hex Cap Screw, 5/16-18 x 1.25	30	731-1857	Throttle Control Knob
4	710-0924	Phillips Pan Screw, 1/4-20 x .75	31	731-2225	Dash Panel (Models w/ Electric PTO)
5	710-1017	Truss Phillips Screw, 1/4-20 x .625		731-2122	Dash Panel (Models w/ Manual PTO)
6	725-1741	Ignition Switch	32	731-2226	Cruise Control Button
7	726-0272	Clamp, 9/16	33	731-2227	Parking Brake Button
8	710-0642	Self-tapping Screw, 1/4-20 x .75	34	736-0142	Flat Washer, 9/32 x 1/2 x 1/16
9	712-0292	U-type Speed Nut, 1/4-20	35	747-1196	Brake/Cruise Pivot Rod
10	736-0270	Bell Washer, .265 x .75 x .062	36	749-1087A	Dash Support Tube
11	725-1976	Systems Indicator Monitor w/ Hour Meter	37	712-3010	Hex Nut, 5/16-18
	725-1758	Systems Indicator Monitor w/ Ammeter	38	731-2269	Hood Plenum (Models with Kohler)
12	712-3004A	Hex Nut, 5/16-18		731-2270	Hood Plenum
13	731-2119	Grille (9-style)			(Models with B&S OHV V-Twin)
14	731-0511	Trim Strip, 4		731-2271	Hood Plenum
15	725-0175	Cable Tie, 3/16 x .05 x 7.4			(Models with B&S Opposed Twin)
16	746-1085	Choke Knob/Cable (Models with any B&S Twin)		N/A	Hood Plenum
	746-1088	Choke Knob/Cable (Models with Kohler)	39	726-3046	Ratchet Clip
17	783-0783	Hood (9-style)	40	736-0119	Lock Washer, 5/16
18	783-0784	RH Side Panel (9-style)	41	726-0201	Speed Nut, .3125
19	783-0785	LH Side Panel (9-style)	42	736-3078	Flat Washer, .349 x 1.0 x .063
20	731-2119	Headlight Lens (9-style)	43	710-1238	Screw, 5/16-18 x .875 (Grade 5)
21	747-1162	Hood Hinge Rod	44	725-1752	Electric PTO Switch
22	625-0051	Headlight Assembly	45	711-0332	Clevis Pin, .50 x .78
23	710-0604A	Self-tapping Screw, 5/16-18 x .625	46	768-0010	Bumper Assembly
24	751-0658B	Fuel Tank, Three Gallon	47	714-0145	Internal Cotter Pin
	751-0659A	Fuel Tank, Two Gallon (Shown)	—	629-0309	Headlight Wire Harness
25	751-0603	Fuel Cap	—	629-1071	Tractor Wire Harness
26	725-1745	Ignition Key w/ plastic cover			(Models with Electric PTO)
	725-1744	Ignition Key w/o plastic cover	—	629-0944	Tractor Wire Harness
27	710-0895	Self-tapping Screw, 1/4-15 x .75			(Models with Manual PTO)

**NOTE:** Tractor features vary by model. NOT all parts listed above and pictured on the previous page are standard equipment.

# Models 607, 608 & 609





## Models 607, 608 & 609

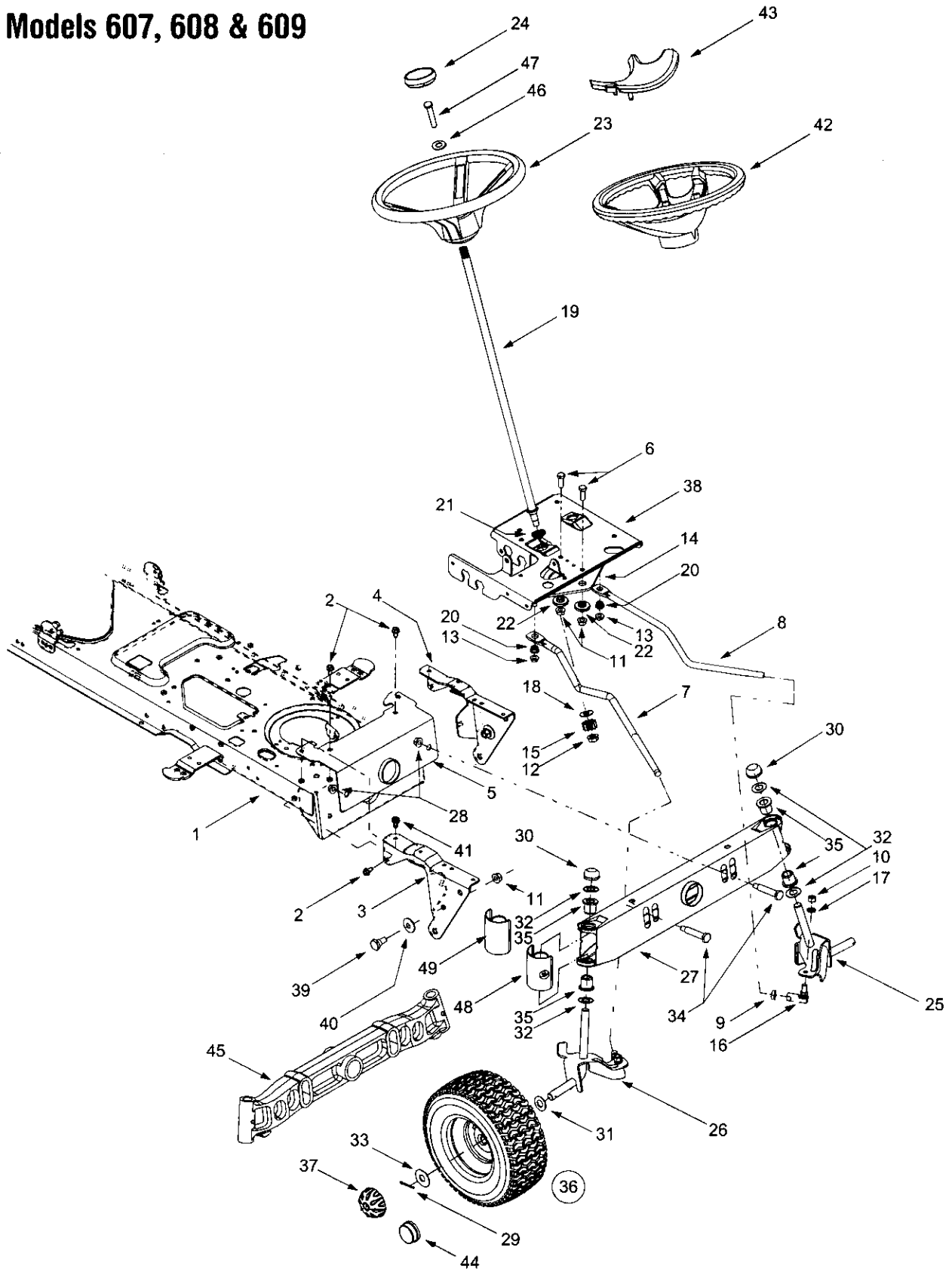
REF. NO.	PART NO.	DESCRIPTION	REF. NO.	PART NO.	DESCRIPTION
1	747-1130A	Deck Stabilizer Rod	34	783-0685B	Fender, 4-Style† (Shown)
2	683-0197	Lift Shaft Assembly		783-0839A	Fender, 7-Style‡
3	711-0332	Clevis Pin, .5 x .78	35	783-0715A	Seat Mounting Bracket
4	712-0206	Hex Nut, 1/2-13	36	710-1268	Screw, #10-16 x .375
5	712-0431	Flange Lock Nut, 3/8-16	37	712-3027	Hex Flange Lock Nut, 1/4-20
6	712-3004A	Flange Lock Nut, 5/16-18	38	720-0309A	Seat Adjuster Grip
7	712-3083	Hex Nut, 1/2-13	39	731-1989	Spacer
8	714-0104	Internal Cotter Pin	40	732-0499	Compression Spring, .41 x 1.5
9	714-0145	Internal Cotter Pin	41	736-0175	Spring Washer, .265 x .562 x .025
10	716-0106	E-ring	42	736-0204	Flat Washer, .344 x .62 x .03
11	720-0311	Handle Grip	43	738-0137A	Shoulder Screw, .340 x .285, 1/4-20
12	732-0874	Torsion Spring	44	738-1007	Shoulder Screw, .50 x .50, 3/8-16
13	732-1027	Extension Spring, .872 x 3.4	45	783-0611	Seat Stop
14	736-0275	Flat Washer, 5/16	46	783-0738	Seat Pivot Bracket
15	736-0921	Lock Washer, 1/2	47	783-0739	Seat Adjustment Lever
16	736-3019	Flat Washer, .31 x 1.062 x .134	48	783-0753	Seat Adjustment Selector
17	736-3084	Flat Washer, .51 x 1.12 x .06	49	757-0348A	High Back Seat, Black
18	738-0138A	Hex Cap Screw, 5/16-18 x .62		757-0350	High Back Seat w/ Drain Holes, Black
19	738-0143	Shoulder Screw, 3/8-16		757-0360A	Medium Back Seat, Black
20	741-0225	Hex Flange Bearing	50	735-0656	RH Foot Pad, Rubber (4-Style Fender)
21	741-0715	Snap Flange Bearing	51	735-0657	LH Foot Pad, Rubber (4-Style Fender)
22	746-0968	Lift Cable, 16.16	52	714-0111	Cotter Pin
23	747-1111	Lift Handle	53	731-0511	Trim Strip
24	756-1154	Roller Pulley	54	783-0209	Seat Lift Bracket
25	783-0678A	Arm Lift	55	710-0870	Hex Head Washer Screw, 3/8-16 x .625
26	783-0720A	Deck Stabilizer Bracket	56	783-0740	Seat Pivot Bracket, Manually Adjusted
27	710-0260A	Carriage Bolt, 5/16 x .62	57	735-0672	RH Foot Pad, Rubber (7-Style Fender)
28	710-0604A	Self-tapping Screw, 5/16-18 x .625	58	735-0673	LH Foot Pad, Rubber (7-Style Fender)
29	710-0895	Self-tapping Screw, 1/4-15 x .75	59	723-0484	RH Foot Pad, Grit (7-Style Fender)
30	731-1990	Lift Lever Cover	60	735-0483	LH Foot Pad, Grit (7-Style Fender)
31	731-2104A	Shift Lever Cover w/ Cup Holder	61	726-3046	Ratchet Clip
32	736-3078	Flat Washer, .349 x 1.0 x .063	62	738-0296	Shoulder Screw, .437 x .286
33	783-0677	Lift Adjustment Bracket			

†Models equipped with a 4-style fender can accept the shift lever cover w/ cup holder.

‡Models equipped with a 7-style fender cannot accept the shift lever cover w/ cup holder.

**NOTE:** Tractor features vary by model. NOT all parts listed above and pictured on the previous page are standard equipment.

# Models 607, 608 & 609



## Models 607, 608 & 609

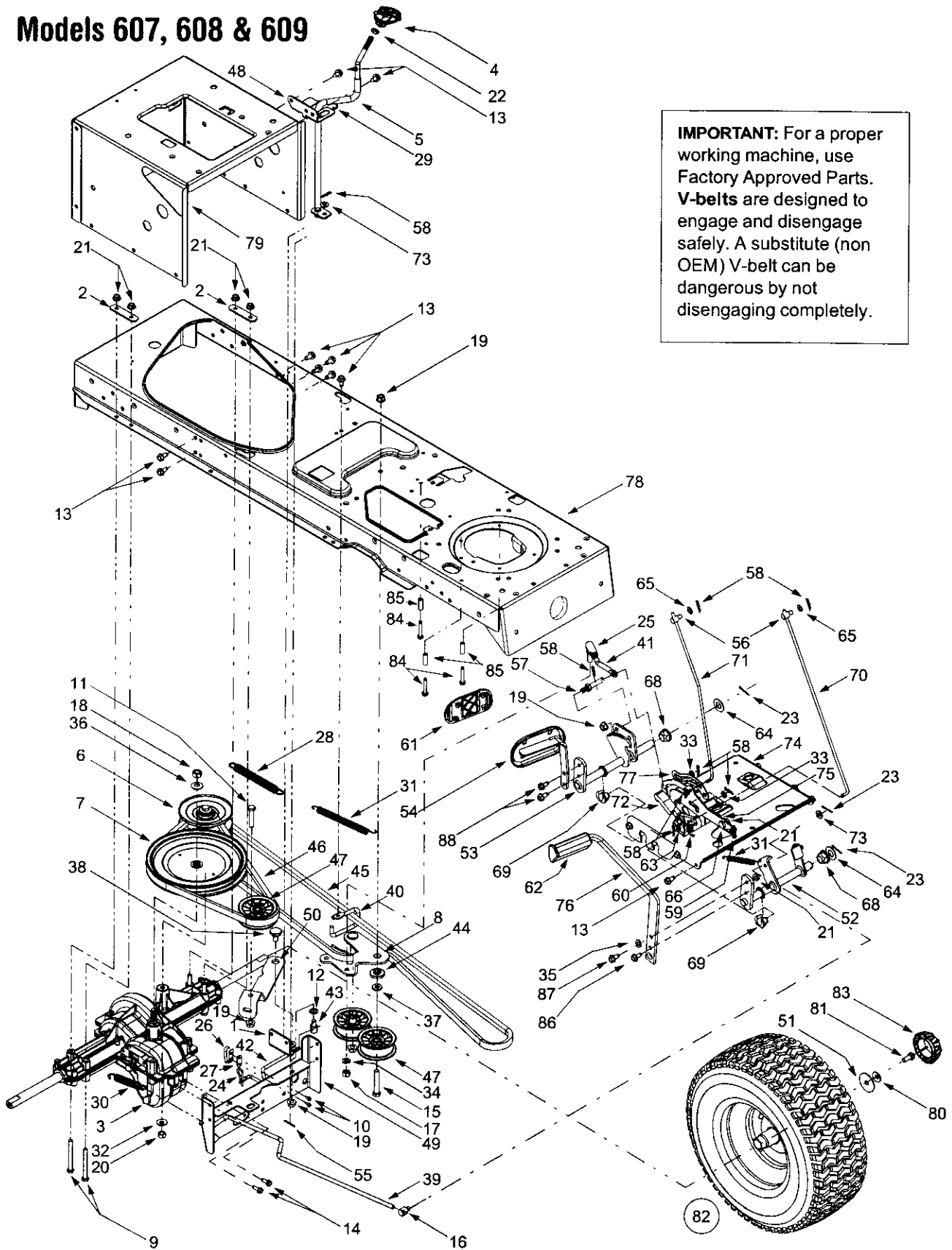
REF. NO.	PART NO.	DESCRIPTION	REF. NO.	PART NO.	DESCRIPTION
2	710-0604A	Self-tapping Screw, 16-18 x .625	31	736-0162	Flat Washer, .64 x 1.0 x .12
3	783-0726A	RH Pivot Support Bracket	32	736-0187	Flat Washer, .64 x 1.24 x .06†
4	783-0727	LH Pivot Support Bracket		736-0316	Flat Washer, .78 x 1.589 x .06‡
5	783-0728	Pivot Bar Bracket	33	736-0285	Flat Washer, .635 x 1.589 x .06
6	710-0514	Hex Cap Screw, 3/8-16 x 1 (Grade 5)	34	738-1011	Shoulder Screw, .5 x 2.2, 3/8-16
7	711-1408	RH Drag Link	35	741-0659	Flange Bearing, .632 ID x .937 OD†
8	711-1409A	LH Drag Link		741-0660	Flange Bearing, .76 ID x .937 OD‡
9	712-0240	Jam Nut, 7/16-20 (Grade 2)	36	634-0105A	Wheel Assembly, 15 x 6 x 6
10	712-0241	Hex Nut, 3/8-24 (Grade 2)			Square Shoulder
11	712-0431	Flange Lock Nut, 3/8-16		634-0056A	Wheel Assembly, 15 x 6 x 6
12	712-0459	Flange Lock Nut, 7/16-20			Round Shoulder
13	712-3004A	Flange Lock Nut, 5/16-18		634-0172	Rim Assembly Only
14	717-1550D	Steering Gear, 11/90 Ratio		734-0255	Air Valve (Not Shown)
15	717-1554	Steering Pinion Gear		734-1731	Tire Only, Square Shoulder
16	723-0448A	Ball Joint, 7/16-20		734-0864	Tire Only, Round Shoulder
17	736-0169	Lock Washer, 3/8	37	734-2290	Deluxe Hub Cap (Ref. 33 Required)
18	736-3084	Flat Washer, .51 x 1.12 x .06	38	783-0653D	Steering Support Bracket
19	738-1001A	Steering Shaft, .625 OD x 24.4	39	738-0143	Shoulder Screw, 3/8-16
20	741-0475	Plastic Bushing, .38 ID	40	736-0331	Bell Washer, .39 x 1.13 x .062
21	741-0656	Hex Flange Bearing, 5/8	41	710-1260A	Self-tapping Screw, 5/16-18 x .75
22	738-0372A	Shoulder Spacer, .38 ID	42	731-1869	Deluxe Steering Wheel
23	631-0027	Standard Steering Wheel, 13.25	43	731-1904	Steering Wheel Cap, w/ Icon
24	731-0220	Steering Wheel Cap, Round	44	731-0484A	Standard Hub Cap
25	638-0019	LH Axle Assembly, .625 Diameter†			(Ref. 33 Not Necessary)
	638-0021	LH Axle Assembly, .625/.750 Diameter‡	45	719-0399B	Cast Iron Pivot Bar†
26	638-0020	RH Axle Assembly, .625 Diameter†		719-0525B	Cast Iron Pivot Bar‡
	638-0022	RH Axle Assembly, .625/.750 Diameter‡	46	736-0242	Bell Washer, .34 x .872
27	683-0128A	Steel Pivot Bar	47	710-0643	Hex Bolt, 5/16-18 X 1
28	712-0431	Flange Lock Nut, 3/8-16	48	731-1291A	Pivot Bar End Cap w/ Fitting
29	714-0470	Cotter Pin	49	731-1649	Pivot Bar End Cap w/o Fitting
30	726-0214	Push Cap, .625			

†Models equipped with a 42-inch deck.

‡Models equipped with a 46-inch deck.

**NOTE:** Tractor features vary by model. NOT all parts listed above and pictured on the previous page are standard equipment.

# Models 607, 608 & 609



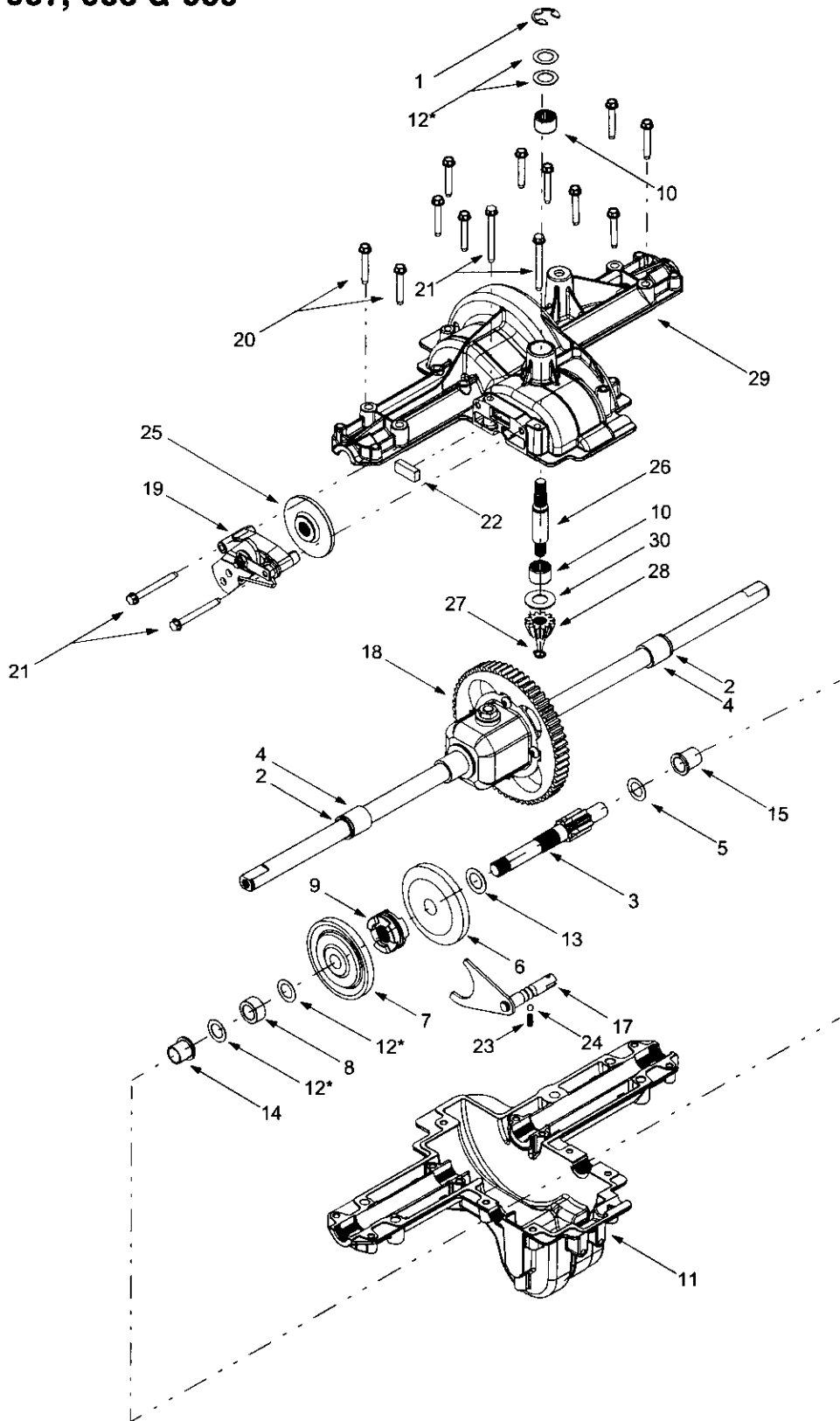
**IMPORTANT:** For a proper working machine, use Factory Approved Parts. V-belts are designed to engage and disengage safely. A substitute (non OEM) V-belt can be dangerous by not disengaging completely.

## Model 607, 608 & 609

REF. NO.	PART NO.	DESCRIPTION	REF. NO.	PART NO.	DESCRIPTION
1	783-1015	Shift Lever Support	49	783-0667B	Transmission Torque Bracket
2	17840	Transaxle Mounting Bracket	50	783-0669	Idler Bracket
3	618-0551	Single-speed Transmission Assembly	51	736-0430	Flat Washer, .350 x 1.59 x .062
4	631-0009A	Shifter Knob	52	647-0031	Brake Control Assembly
5	647-0045	Shift Lever	53	647-0032	Speed Control Assembly
6	656-0048	Variable-speed Pulley Assembly	54	683-0266	Drive Pedal Assembly
7	656-0051A	Transmission Pulley, 8.5 x .5-36	55	714-0470	Cotter Pin, 1/8 x 1.25
8	683-0251	Double-idler Bracket	56	711-0736	Ferrule, 1/4-20
9	710-0176	Hex Cap Screw, 5/16-18 x 2.75	57	711-1363	Pin, 3/8-16 x 2.43
10	710-0227	Self-tapping Screw, #8-18 x .5	58	714-0104	Cotter Pin
11	710-0347	Hex Cap Screw, 3/8-16 x 1.75	59	732-0437	Compression Spring, .34 OD x 1.0
12	736-0272	Flat Washer, .51 x 1.0 x .060	60	732-0955	Extension Spring, .50 OD x 1.41
13	710-0604A	Self-tapping Screw, 5/16-18 x .625	61	735-0662	Drive Pedal Pad
14	710-0642	Self-tapping Screw, 1/4-20 x .75	62	735-3049	Brake Pedal Pad
15	710-3011	Hex Cap Screw, 3/8-16 x 2.25	63	736-0142	Flat Washer, .281 x .5 x .063
16	711-0677	Ferrule, 5/16-18	64	736-0187	Flat Washer, .64 x 1.24 x .06
17	712-0241	Hex Nut, 3/8-24	65	736-0204	Flat Washer, .344 x .062 x .03
18	712-0378	Hex Nut, 7/16-20	66	738-0155	Shoulder Screw, .437 x 1.62
19	712-0431	Flange Lock Nut, 3/8-16	67	738-0507B	Shoulder Screw, .5 x .434
20	712-3017	Hex Nut, 3/8-16	68	741-0225	Hex Flange Bearing
21	712-3004A	Flange Lock Nut, 5/16-18	69	741-3065A	Split Hex Flange Bearing
22	712-3008	Jam Nut, 3/8-16	70	747-1137	Cruise Control Rod
23	714-0111	Cotter Pin	71	747-1138	Brake Lock Control Rod
24	714-0149B	Internal Cotter Pin	72	748-0413	Cruise Latch
25	723-3018	Ball Joint	73	736-0275	Flat Washer, .344 x .688 x .065
26	725-1644	Short Spring Switch	74	783-0653D	Steering Support Bracket
27	726-0320	Insulator Nut Plate	75	783-0732	Drive Lockout Bracket
28	732-0384	Extension Spring, .62 Dia. x 6.12	76	783-0773	Brake Pedal
29	732-0525	Compression Spring Clip	77	783-0780A	Neutral Return Bracket
30	732-0716	Extension Spring, .59 OD x 4	78	683-0304	Lower Frame Assembly
31	732-0963	Extension Spring, .50 Dia. x 6.37 (hooks to flange, 783-0650, in frame)	79	783-1031A	Hitch Plate
32	736-0105	Bell Washer, .401 x .87 x .063	80	736-0242	Bell Washer, .34 x .872
33	736-0140	Flat Washer, .385 x .62 x .063	81	710-0627	Hex Cap Screw, 5/16-24 x .75
34	736-0169	Lock Washer, 3/8	82	634-0177	Wheel Assembly Complete 20 x 10 x 8 Square Shoulder
35	736-3008	Flat Washer, .344 x .750 x .120		634-0104	Wheel Assembly Complete 20 x 8 x 8 Square Shoulder
36	736-0407	Bell Washer, .45 x 1.0 x .602		734-1675	Wheel Assembly Complete 20 x 8 x 8 Round Shoulder
37	736-3010	Flat Washer, .407 x .812 x .135		634-0070	Rim Assembly Only
38	738-0322	Shoulder Screw, .625 x .217		734-0255	Air Valve (Not Shown)
39	747-1122	Brake Rod		734-1873	Tire Only, 20 x 10 x 8, Square Shoulder
40	747-1123A	Belt Guard		734-1730	Tire Only, 20 x 8 x 8, Square Shoulder
41	747-1127	Idler Adjustment Rod, 3/8		734-1596	Tire Only, 20 x 8 x 8, Round Shoulder
42	747-0047A	Shift Rod	83	734-2290A	Deluxe Hub Cap (Ref. 51 Required)
43	711-0736	Adjustment Ferrule, 1/4-20 x 1.0	84	710-0809	Self-tapping Screw, 1/4-20 x 1.25
44	738-0372A	Shoulder Spacer, .38 ID	85	750-0566A	Spacer
45	754-0467	Lower Drive Belt	86	710-0650	Self-tapping Screw, 5/16-18 x .875
46	754-0468	Upper Drive Belt	87	710-1260A	Self-tapping Screw, 5/16-18 x .75
47	756-0981A	Flat Idler, 2.75 OD			
48	783-1016B	Speed Control Rod Bracket			

**NOTE:** Tractor features vary by model. NOT all parts listed above and pictured on the previous page are standard equipment.

# Model 607, 608 & 609

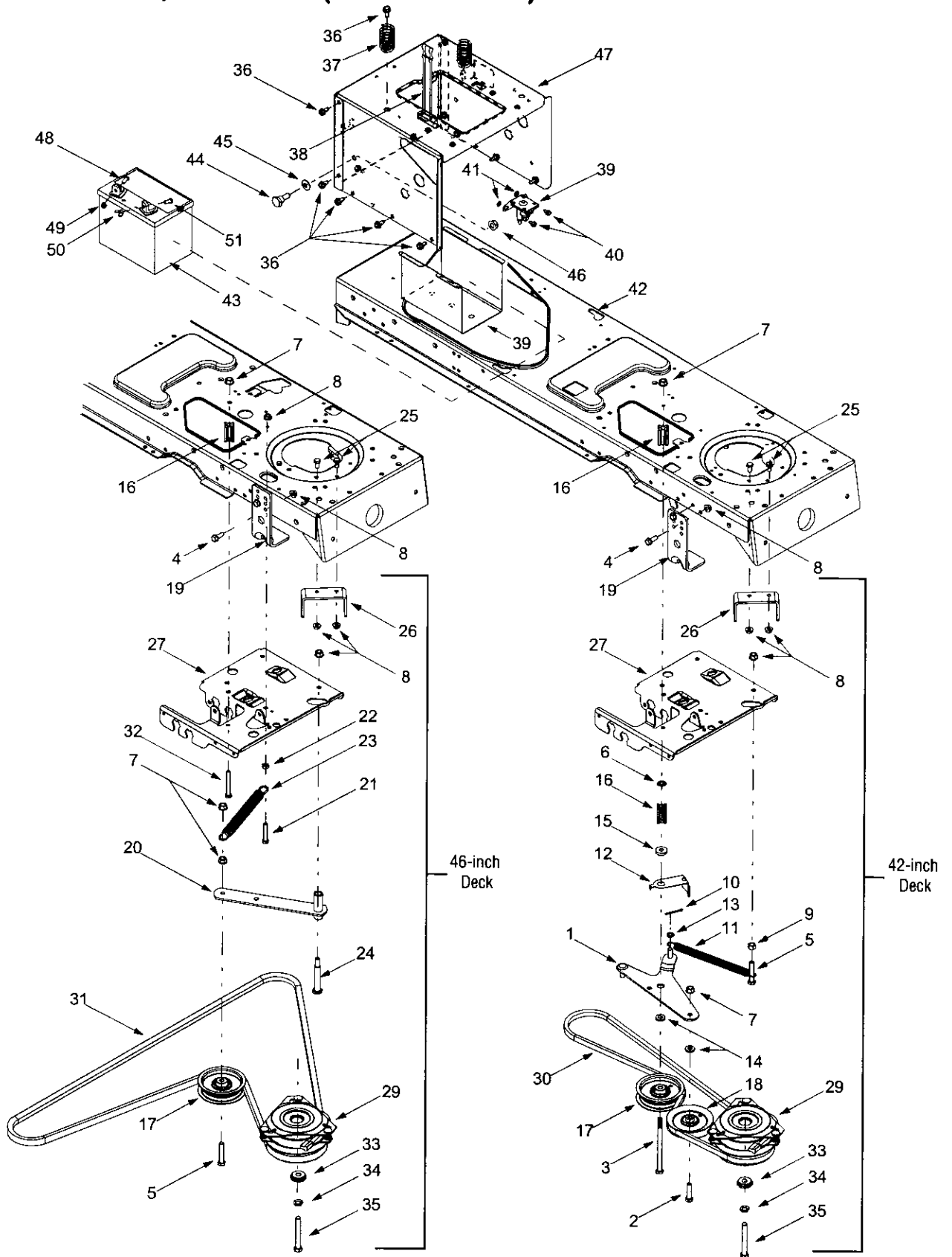


## Model 607, 608 & 609

REF. NO.	PART NO.	DESCRIPTION
1	716-0231	E-ring, .75
2	721-0338	Seal, .75 x 1.0 x .125
3	711-1431	Drive Shaft
4	741-0340	Sleeve Bearing, .75 x .1.0 x 1.0
5	736-0495	Thrust Washer, 1.0 x .632 x .0
6	717-1362	42-tooth Bevel Gear
7	717-1363	42-tooth Bevel Gear
8	750-1234	Spacer, .633 x 1.0 x .513
9	718-0228	Clutch Collar
10	741-0525	Needle Bearing, .625 x .875
11	719-0394	Lower Housing
12a	736-0336	Flat Washer, 5/8 x 1.0 x .030*
12b	736-0337	Flat Washer, 5/8 x 1.0 x .040*
12c	736-0349	Flat Washer, 5/8 x 1.0 x .020*
13	736-0519	Flat Washer, .70 x 1.125 x .031
14	741-0336	Flange Bearing, 5/8 x 3/4 x 3/4
15	741-0337	Flange Bearing, 5/8 x 3/4 x 15/16
16	750-1238	Spacer, .635 x 1.0 x .27
17	611-0133	Detent Shaft Assembly
18	618-0424	Differential Assembly
19	661-0006	Brake Assembly
20	710-1325	Self-tapping Screw, 1/4-20 x 1.625
21	710-1206	Self-tapping Screw, 1/4-20 x 2.375
22	717-0678	Brake Pad
23	732-0863	Compression Spring
24	741-0862	Detent Ball
25	761-0202	Brake Disc
26	711-1430	Input Shaft
27	716-0108	Retaining Ring, .437
28	717-1464	14-tooth Bevel Pinion
29	719-0391A	Upper Housing
30	736-0723	Thrust Washer, .635 x 1.25 x .042

\*Use applicable flat washer (12a, 12b or 12c) in this application allowing proper end-play as instructed in *MTD's* Service Manual.

# Models 607, 608 & 609 (w/ Electric PTO)





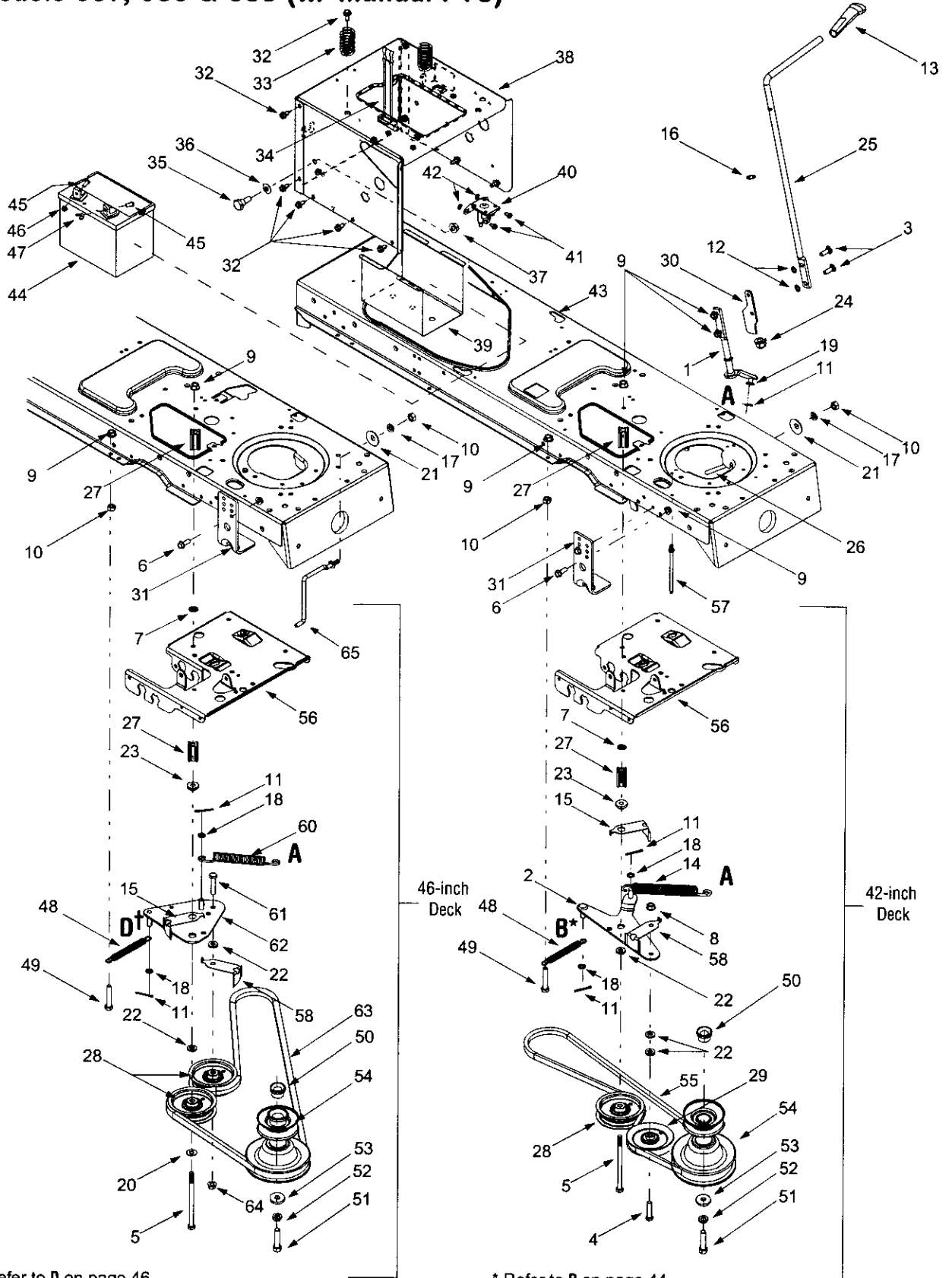
## Models 607, 608 & 609

REF. NO.	PART NO.	DESCRIPTION	REF. NO.	PART NO.	DESCRIPTION
1	683-0450	Engagement Plate Assembly	27	783-0653D	Steering Support Bracket
2	710-0520	Hex Cap Screw, 3/8-16 x 1.5	28	683-0314	Frame Assembly
3	710-0831	Hex Cap Screw, 3/8-16 x 5.5	29	717-1708	Electric PTO Clutch
4	710-1238	Hex Head Washer Screw, 5/16-18 x .875	30	754-0497	PTO Belt (Models w/ 42-inch deck)
5	710-3144	Hex Cap Screw, 3/8-16 x 2.0	31	754-0474	PTO Belt (Models w/ 46-inch deck)
6	712-0229	Push Nut, 3/8	32	710-0859	Hex Cap Screw, 3/8-16 x 2.5
7	712-0431	Flange Lock Nut, 3/8-16	33	738-0785	Shoulder Spacer, 1.38 x .445 x .36
8	712-3004A	Flange Lock Nut, 5/16-18	34	736-0171	Lock Washer, 7/16
9	712-3017	Hex Nut, 3/8-16	35	710-3157	Hex Cap Screw, 7/16-20 x 3.25 (Grade 5)
10	714-0470	Cotter Pin, 1/8 x 1.25	36	710-0604A	Self Tapping Screw, 5/16-18 x .625
11	732-0384	Extension Spring, .62 x 6.12	37	732-3080	Compression Spring, 1.28 x 3.5
12	732-0991A	Belt Guard	38	723-0444	Battery Strap
13	736-0140	Flat Washer, .385 x .62 x .063	39	725-1426	Solenoid, 12-Volt, 100 Amp
14	736-3010	Flat Washer, .407 x .812 x .135	40	710-0599	Self Tapping Screw, 1/4-20 x .5
15	738-0372A	Shoulder Spacer, .380	41	736-0222	Lock Washer, 1/4
16	748-0415A	Spacer, 3/8 x 1.54	42	683-0304	Lower Frame Assembly
17	756-0627B	Idler Pulley, 3.5	43	725-1706	12-volt Battery, 270 CCA
18	756-1208	Idler Pulley, 4.0	44	738-1020	Shoulder Screw, .625 x .5, 7/16-20
19	783-0891B	Deck Stop	45	736-0407	Bell Washer, .45 x 1.0 x .062
20	683-0297	Idler Bracket Assembly	46	712-0459	Flange Lock Nut, 7/16-20
21	710-3180	Hex Cap Screw, 5/16-18 x 1.75	47	783-1031A	Hitch Plate
22	712-3010	Hex Nut, 5/16-18	48	710-0703	Hex Cap Screw, 1/4-20 x .75
23	732-0978	Extension Spring, .62 x 5.62	49	712-0271	Hex Sems Nut, 1/4-20
24	738-3056	Shoulder Screw, 1/2 x 2.5	50	712-3087	Wing Nut, 1/4-20
25	710-3025	Hex Cap Screw, 5/16-18 x .625	51	738-1132	Shoulder Screw, 1/4-20, .25 x .15
26	783-1003	Electric Clutch Anti-rotation Bracket			

**IMPORTANT:** For a proper working machine, use Factory Approved Parts. **V-belts** are designed to engage and disengage safely. A substitute (non OEM) V-belt can be dangerous by not disengaging completely.

**NOTE:** Tractor features vary by model. NOT all parts listed above and pictured on the previous page are standard equipment.

# Models 607, 608 & 609 (w/ Manual PTO)



† Refer to B on page 46.

\* Refer to B on page 44.

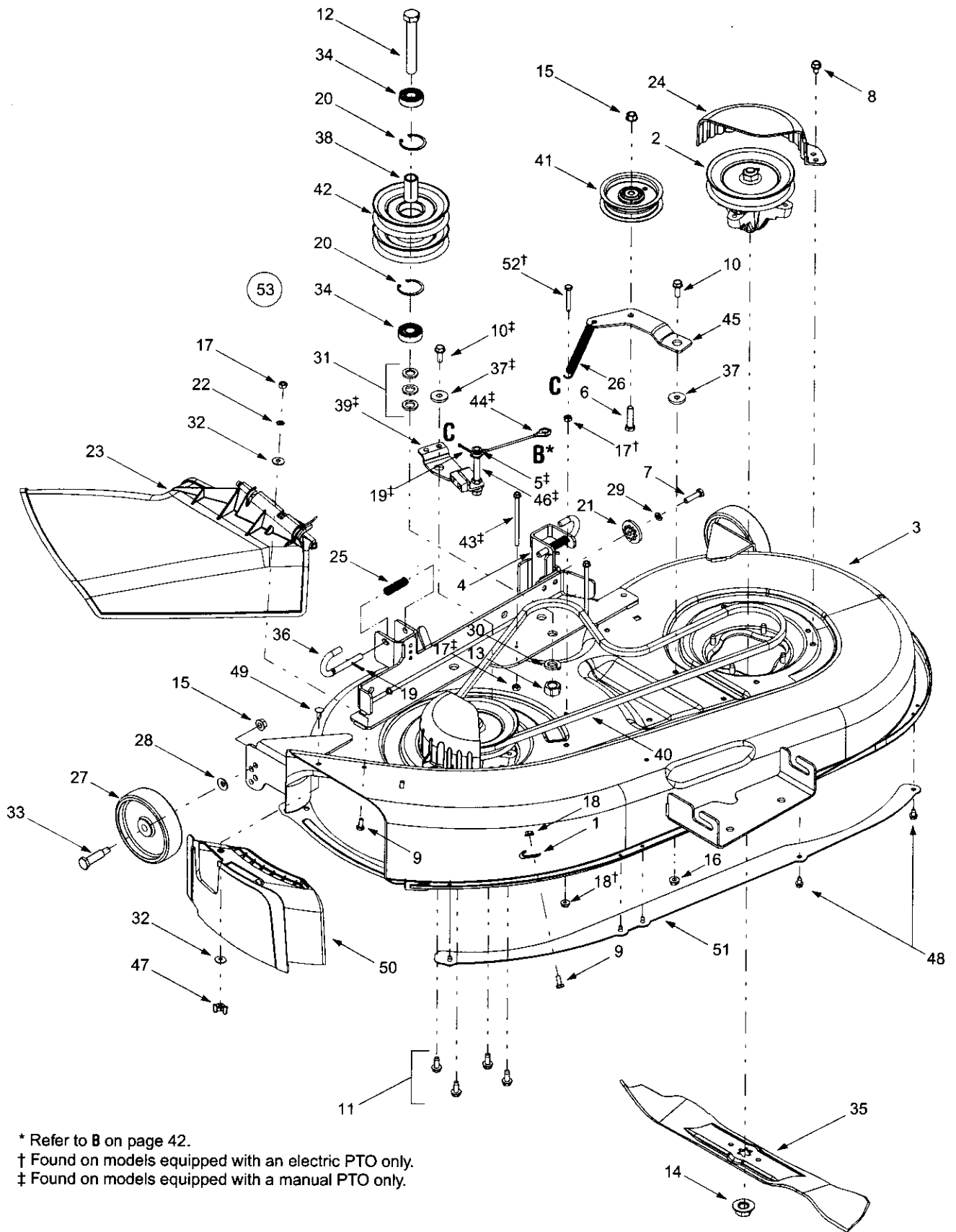
## Models 607, 608 & 609

REF. NO.	PART NO.	DESCRIPTION	REF. NO.	PART NO.	DESCRIPTION
1	647-0046A	PTO Engage Lever Assembly	34	723-0444	Battery Strap
2	683-0450	PTO Engage Plate Assembly	35	738-1020	Shoulder Screw, .625 x .5, 7/16-20
3	710-0276	Carriage Screw, 5/16-18 x 1.00	36	736-0407	Bell Washer, .45 x 1.0 x .062
4	710-0520	Hex Cap Screw, 3/8-16 x 1.5	37	712-0459	Flange Lock Nut, 7/16-20
5	710-0831	Hex Cap Screw, 3/8-16 x 5.5	38	783-1031A	Hitch Plate
6	710-1238	Hex Head Washer Screw, 5/16-18 x .875	39	783-0349	Battery Tray
7	712-0229	Push Nut, 3/8	40	725-1426	Solenoid, 12-Volt, 100 Amp
8	712-0431	Flange Lock Nut, 3/8-16	41	710-0599	Self Tapping Screw, 1/4-20 x .5
9	712-3004A	Flange Lock Nut, 5/16-18	42	736-0222	Lock Washer, 1/4
10	712-3010	Hex Nut, 5/16-18	43	683-0304	Lower Frame Assembly
11	714-0470	Cotter Pin, 1/8 x 1.25	44	725-1706	12-volt Battery, 270 CCA
12	726-0201	Speed Nut, .3125	45	710-0751	Hex Cap Screw, 1/4-20 x .62
13	731-2111A	PTO Knob	46	712-0271	Hex Sems Nut, 1/4-20
14	732-1170	Extension Spring, .75 x 6.75	47	712-3044	Wing Nut, 1/4-20
15	732-0991A	Belt Guard	48	732-1165	Extension Spring, .50 x 5.0
16	736-0108	Flat Washer, .510 x .750 x .033	49	710-3180	Hex Cap Screw, 5/16-18 x 1.75
17	736-0119	Lock Washer, 5/16	50	750-0956	Spacer Cup
18	736-0140	Flat Washer, .385 x .62 x .063	51	710-3029	Hex Head Cap Screw, 7/16-20 x 1.25
19	736-0275	Flat Washer, 5/16	52	736-0171	Lock Washer, 7/16
20	736-0300	Flat Washer, .406 x .875 x .059	53	736-0322	Flat Washer, .450 x 1.25
21	736-0331	Bell Washer, .39 x 1.13 x .062	54	756-0982B	Engine Pulley, 3.56 OD x 5.56
22	736-3010	Flat Washer, .407 x .812 x .135	55	754-0497	PTO Belt (Models w/ 42-inch deck)
23	738-0372A	Shoulder Spacer, .380	56	783-0653D	Steering Support Bracket
24	741-0708	Hex Split Flange Bearing, .5	57	711-1044	Keeper Pin, 5/16 x 4.75
25	747-1112D	PTO Engagement Handle	58	732-1013	Belt Guard
26	747-1286	Belt Keeper Rod	59	710-3025	Hex Cap Screw, 5/16-18 x .625
27	748-0415A	Spacer, 3/8 x 1.54	60	732-0944	Extension Spring, .75 x 6.75
28	756-0627B	Idler Pulley, 3.5	61	710-0347	Hex Cap Screw, 3/8-16 x 1.75
29	756-1208	Idler Pulley, 4.0	62	683-0302	PTO Engagement Plate Assembly
30	783-0744A	Engagement Stop	63	754-0486A	PTO Belt (Models w/ 46-inch deck)
31	783-0891B	Deck Stop	64	712-0431	Flange Lock Nut, 3/8-16
32	710-0604A	Self Tapping Screw, 5/16-18 x .625	65	747-1243	Belt Keeper Rod
33	732-3080	Compression Spring, 1.28 x 3.5			

**IMPORTANT:** For a proper working machine, use Factory Approved Parts. **V-belts** are designed to engage and disengage safely. A substitute (non OEM) V-belt can be dangerous by not disengaging completely.

**NOTE:** Tractor features vary by model. NOT all parts listed above and pictured on the previous page are standard equipment.

# Models 607, 608 & 609



\* Refer to B on page 42.

† Found on models equipped with an electric PTO only.

‡ Found on models equipped with a manual PTO only.

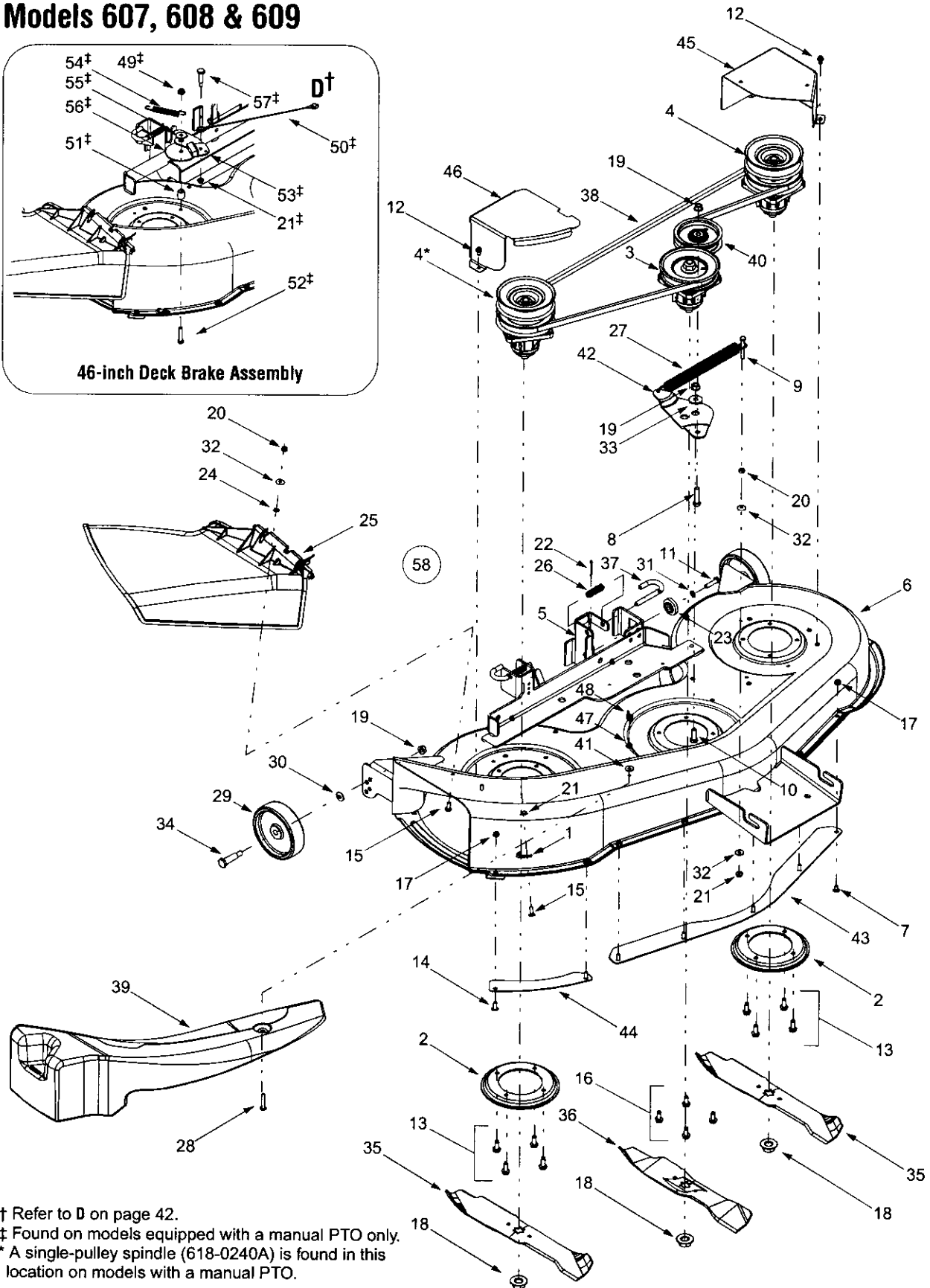
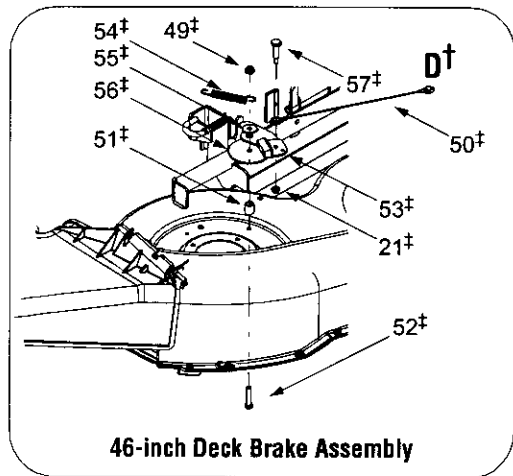
## Models 607, 608 & 609

REF. NO.	PART NO.	DESCRIPTION	REF. NO.	PART NO.	DESCRIPTION
1	16606	Retainer Hook	29	736-0119	Lock Washer, 5/16
2	618-0565	Spindle Assembly, 5.75 Dia.	30	736-0158	Lock Washer, 5/8
	756-0980	Pulley Only	31	736-0162	Flat Washer, .64 x 1.0 x .12
3	683-0198D	42-inch Deck Shell	32	736-0270	Bell Washer, .265 x .75 x .062
4	683-0254	Deck Adjustment Bracket w/ Weld Nut	33	738-0373	Shoulder Screw, .498 x 1.53
5	736-0140	Flat Washer, .385 x .62 x .063	34	741-0524	Bearing, .625 x 1.574 x .470
6	710-0520	Hex Cap Screw, 1/4-20 x 1.5	35	742-0616	Three-in-one Blade, Star Center, 21.23"
7	710-0528	Hex Cap Screw, 5/16-18 x 1.25	36	747-1116	Deck Release Pin
8	710-0604A	Self-tapping Screw, 5/16-18 x .625	37	748-0331	Shoulder Spacer, .625 x .324
9	710-0751	Hex Cap Screw, 1/4-20 x .62	38	750-0932A	Spacer, .635 x .88 x 1.72
10	710-1238	Hex Head Washer Screw, 5/16-18 x .875	39	683-0440	Deck Brake Assembly
11	710-1260A	Self-tapping Screw, 5/16-18 x .75	40	754-0498	Deck Belt
12	710-3151	Hex Cap Screw, 5/8-18 x .875	41	756-0627B	Idler Pulley, 3.5
13	712-0337	Hex Nut, 5/8-18	42	756-1202	Double Pulley, 5.0
14	712-0417A	Hex Flange Nut, 5/8-18	43	710-1830	Self-tapping Screw, 1/4-20 x 4.0
15	712-0431	Flange Lock Nut, 3/8-16	44	746-0970	Brake Cable, 5.05
16	712-3004A	Flange Lock Nut, 5/16-18	45	783-1291	Idler Bracket
17	712-3006	Hex Nut, 1/4-20	46	711-1534	Pin, 3/8-16, 3/8 x 3.27
18	712-3027	Hex Flange Lock Nut, 1/4-20	47	712-3087	Wing Nut, 1/4-20
19	714-0470	Cotter Pin, 1/8 x 1.25	48	710-0599	Self-tapping Screw, 1/4-20 x .5
20	716-3020	Internal Snap Ring	49	710-0134	Carriage Screw, 1/4-20 x .62
21	717-1553A	Deck Adjustment Gear	50	731-2363	Mulch Plug
22	726-0233	Push Nut, .25 x .5	51	783-1146A	Deck Skirt
23	731-1032B	Side Discharge Chute Assembly	52	710-0136	Hex Cap Screw, 1/4-20 x 1.75
24	731-2486	Belt Cover	53	753-0894	Deck Assembly Complete, Manual PTO (w/o Mulch Kit)
25	732-0306	Compression Spring, .406 x .531 x 1.75		753-0896	Deck Assembly Complete, Electric PTO (w/o Mulch Kit)
26	732-0470A	Extension Spring, .50 x 4.74			
27	734-0973	Deck Wheel, 5 x 1.38			
28	736-0105	Bell Washer, .401 x .87 x .063			

**IMPORTANT:** For a proper working machine, use Factory Approved Parts. **V-belts** are designed to engage and disengage safely. A substitute (non OEM) V-belt can be dangerous by not disengaging completely.

**NOTE:** Tractor features vary by model. NOT all parts listed above and pictured on the previous page are standard equipment.

# Models 607, 608 & 609



† Refer to D on page 42.

‡ Found on models equipped with a manual PTO only.

\* A single-pulley spindle (618-0240A) is found in this location on models with a manual PTO.

## Models 607, 608 & 609

REF. NO.	PART NO.	DESCRIPTION	REF. NO.	PART NO.	DESCRIPTION
1	16606	Retainer Hook	31	736-0119	Lock Washer, 5/16
2	17982	Spindle Reinforcement Plate	32	736-0270	Bell Washer, .265 x .75 x .062
3	618-0240A	Spindle Assembly, 5.0 Dia.	33	738-0347	Shoulder Spacer, .625 x 1.16
	756-1187	Pulley Only	34	738-0373	Shoulder Screw
4	618-0241	Double Pulley Spindle Assembly	35	742-0611	Three-in-one Blade, Star Center, 16.28"
	756-0603	Pulley Only	36	742-0612	Three-in-one Blade, Star Center, 14.88"
5	683-0254	Deck Adjustment Bracket w/ Weld Nut	37	747-1116	Deck Release Pin
6	683-0265C	46-inch Deck Shell	38	754-0349	Deck Belt, Poly
7	710-0167	Carriage Screw, 1/4-20 x .50	39	731-1636	Mulch Plug
8	710-0344	Hex Cap Screw, 3/8-16 x 1.5	40	756-0627B	Idler Pulley, 3.5
9	710-0501	Hex Cap Screw, 1/4-20 x 2.0	41	736-0173	Flat Washer, .28 x .74 x .063
10	710-0514	Hex Cap Screw, 3/8-16 x 1.0	42	783-0139A	Idler Bracket
11	710-0528	Hex Cap Screw, 5/8-18 x 1.25	43	783-0141	Center Deck Skirt
12	710-0599	Self-tapping Screw, 1/4-20 x .5	44	783-0142	RH Deck Skirt
13	710-0650	Self-tapping Screw, 15/16-18 x .875	45	783-0747	LH Belt Cover
14	710-0703	Hex Screw, 1/4-20 x .75	46	783-0805A	RH Belt Cover
15	710-0751	Hex Cap Screw, 1/4-20 x .62	47	712-3006	Hex Nut, 1/4-20
16	710-1260A	Self-tapping Screw, 5/16-18 x .75	48	712-3087	Wing Nut, 1/4-20
17	712-0271	Hex Sems Nut, 1/4-20	49	712-3004A	Hex Nut, 5/16-18
18	712-0417A	Hex Flange Nut, 5/8-18	50	746-1107	Bracket Cable, 12"
19	712-0431	Flange Lock Nut, 3/8-16	51	750-0807	Spacer, .385 x .625 x .70
20	712-3006	Hex Nut, 1/4-20	52	710-0805	Hex Cap Screw, 5/16-18 x 1.5
21	712-3027	Hex Flange Lock Nut, 1/4-20	53	17116	Deck Brake Assembly
22	714-0470	Cotter Pin, 1/8 x 1.25	54	732-0429A	Extension Spring, .5 x 3.97
23	717-1553A	Deck Adjustment Gear	55	748-0324	Shoulder Spacer
24	726-0233	Push Nut, .25 x .5	56	736-0416	Flat Washer, .320 x 3.0 x .125
25	731-1032B	Side Discharge Chute Assembly	57	738-0572	Shoulder Screw, .374 x 1.16
26	732-0306	Compression Spring, .406 x .531 x 1.75	58	753-0872	Deck Assembly Complete, Manual PTO (w/o Mulch Kit)
27	732-0594A	Extension Spring, .91 x 7.3		753-0874	Deck Assembly Complete, Electric PTO (w/o Mulch Kit)
28	710-0578	Screw, 1/4-20 x 1.5			
29	734-0973	Deck Wheel, 5 x 1.38			
30	736-0105	Bell Washer, .401 x .87 x .063			

**IMPORTANT:** For a proper working machine, use Factory Approved Parts. **V-belts** are designed to engage and disengage safely. A substitute (non OEM) V-belt can be dangerous by not disengaging completely.

**NOTE:** Tractor features vary by model. NOT all parts listed above and pictured on the previous page are standard equipment.

# MANUFACTURER'S LIMITED WARRANTY

The limited warranty set forth below is given by MTD PRODUCTS INC ("MTD") with respect to new merchandise purchased and used in the United States, its possessions and territories.

MTD warrants this product against defects in material and workmanship for a period of two (2) years commencing on the date of original purchase and will, at its option, repair or replace, free of charge, any part found to be defective in material or workmanship. This limited warranty shall only apply if this product has been operated and maintained in accordance with the Operator's Manual furnished with the product, and has not been subject to misuse, abuse, commercial use, neglect, accident, improper maintenance, alteration, vandalism, theft, fire, water or damage because of other peril or natural disaster. Damage resulting from the installation or use of any accessory or attachment not approved by MTD Products Inc. for use with the product(s) covered by this manual will void your warranty as to any resulting damages.

Normal wear parts or components thereof are subject to separate terms as follows: All normal wear part or component failures will be covered on the product for a period of 90 days regardless of cause. After 90 days, but within the two year period, normal wear part failures will be covered ONLY IF caused by defects in material or workmanship of OTHER component parts. Normal wear parts and components include, but are not limited to, belts, blades, blade adapters, grass bags, rider deck wheels, seats, snow thrower skid shoes, shave plates and tires. Batteries are covered by a 90-day limited replacement warranty.

**HOW TO OBTAIN SERVICE:** Warranty service is available, WITH PROOF OF PURCHASE THROUGH YOUR LOCAL AUTHORIZED SERVICE DEALER. To locate the dealer in your area, please check for a listing in the Yellow Pages or contact the Customer Service Department of MTD PRODUCTS INC by calling 1-800-800-7310 or writing to P.O. Box 368022, Cleveland, Ohio 44136-9722.

**This limited warranty does not provide coverage in the following cases:**

- a. The engine or component parts thereof. These items carry a separate manufacturer's warranty. Please refer to the applicable manufacturer's warranty on these items.
- b. Log splitter pumps, valves and cylinders have a separate one year warranty.

- c. Routine maintenance items such as lubricants, filters, blade sharpening and tune-ups, or adjustments such as brake adjustments, clutch adjustments or deck adjustments; and normal deterioration of the exterior finish due to use or exposure.
- d. MTD does not extend any warranty for products sold or exported outside of the United States of America, its possessions and territories, except those sold through MTD's authorized channels of export distribution.

**No implied warranty, including any implied warranty of merchantability or fitness for a particular purpose, applies after the applicable period of express written warranty above as to the parts as identified. No other express warranty or guaranty, whether written or oral, except as mentioned above, given by any person or entity, including a dealer or retailer, with respect to any product shall bind MTD. During the period of the Warranty, the exclusive remedy is repair or replacement of the product as set forth above.** (Some states do not allow limitations on how long an implied warranty lasts, so the above limitation may not apply to you.)

**The provisions as set forth in this Warranty provide the sole and exclusive remedy arising from the sales. MTD shall not be liable for incidental or consequential loss or damages including, without limitation, expenses incurred for substitute or replacement lawn care services, for transportation or for related expenses, or for rental expenses to temporarily replace a warranted product.** (Some states do not allow the exclusion or limitation of incidental or consequential damages, so the above exclusion or limitation may not apply to you.)

In no event shall recovery of any kind be greater than the amount of the purchase price of the product sold. Alteration of the safety features of the product shall void this Warranty. You assume the risk and liability for loss, damage, or injury to you and your property and/or to others and their property arising out of the use or misuse or inability to use the product.

This limited warranty shall not extend to anyone other than the original purchaser, original lessee or the person for whom it was purchased as a gift.

**How State Law Relates to this Warranty:** This limited warranty gives you specific legal rights, and you may also have other rights which vary from state to state.