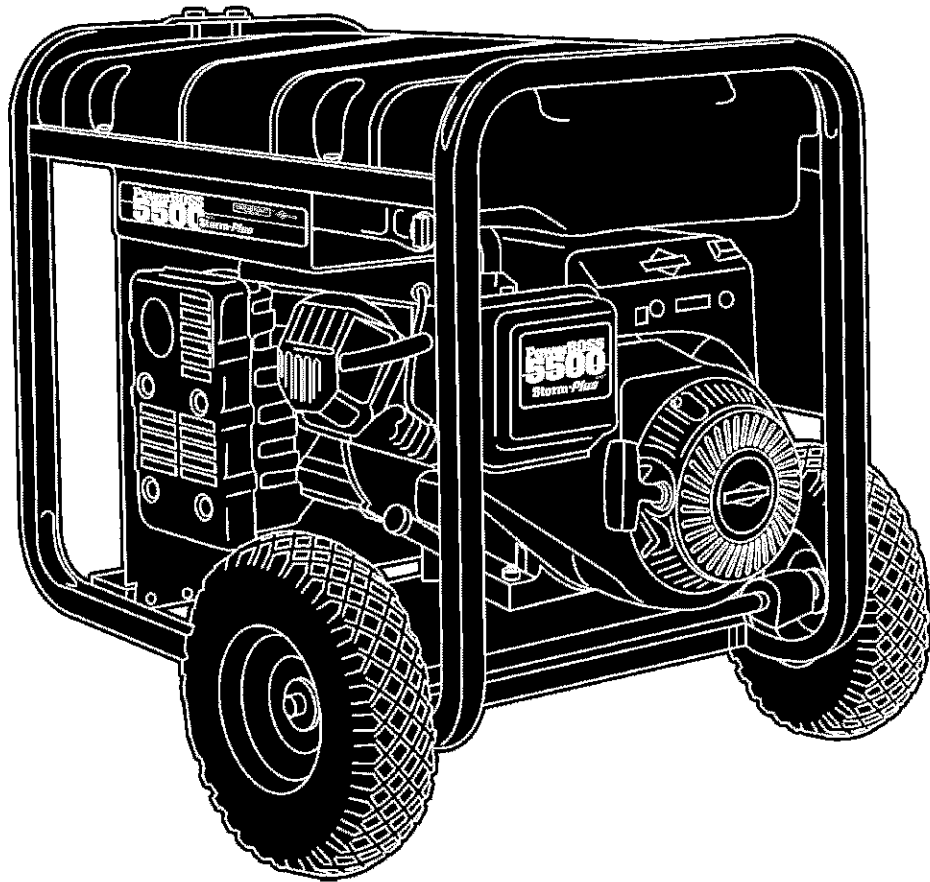


PowerBOSS™ 5500 WATTS Storm-Plus™



Portable Generator Owner's Manual

Questions? Help is just a moment away!

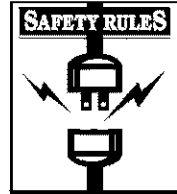
Call: **Generac Generator Helpline - 1-800-270-1408** M-F 8-5 CT
Web: www.generac-portables.com or www.briggsandstratton.com

GENERAC®
Portable Products

by

Briggs & Stratton®
POWER PRODUCTS

Model No. 1642-2 (5,500 Watt AC Generator) Manual No. 189439GS Revision I (10/15/2002)



EQUIPMENT DESCRIPTION

Read this manual carefully and become familiar with your pressure washer. Know its applications, its limitations and any hazards involved.

This generator is an engine-driven, revolving field, alternating current (AC) generator. It was designed to supply electrical power for operating compatible electrical lighting, appliances, tools and motor loads. The generator's revolving field is driven at about 3,600 rpm by a single-cylinder engine.

CAUTION! DO NOT exceed the generator's wattage/ampere capacity. See "Don't Overload the Generator" on page 10.

Every effort has been made to ensure that information in this manual is accurate and current. However, Generac reserves the right to change, alter or otherwise improve the product and this document at any time without prior notice.

The Emission Control System for this generator is warranted for standards set by the Environmental Protection Agency. For warranty information refer to the engine owner's manual.

SAFETY RULES

The safety alert symbol (▲) is used with a signal word (DANGER, CAUTION, WARNING), a pictorial and/or a safety message to alert you to hazards. **DANGER** indicates a hazard which, if not avoided, will result in death or serious injury. **WARNING** indicates a hazard which, if not avoided, could result in death or serious injury. **CAUTION** indicates a hazard which, if not avoided, might result in minor or moderate injury. **CAUTION**, when used **without** the alert symbol, indicates a situation that could result in equipment damage. Follow safety messages to avoid or reduce the risk of injury or death.

In the State of California a spark arrester is required by law (Section 4442 of the California Public Resources Code). Other states may have similar laws. Federal laws apply on federal lands. If you equip the muffler with a spark arrester, it must be maintained in effective working order.

▲ WARNING
The engine exhaust from this product contains chemicals known to the State of California to cause cancer, birth defects, or other reproductive harm.

▲ DANGER



Running generator gives off carbon monoxide, an odorless, colorless, poison gas. Breathing carbon monoxide will cause nausea, fainting or death.

- Operate generator ONLY outdoors.
- Keep at least 2 feet of clearance on all sides of generator for adequate ventilation.
- DO NOT operate generator inside any building or enclosure, including the generator compartment of a recreational vehicle (RV).

▲ DANGER



Failure to properly ground generator can result in electrocution, especially if the generator is equipped with a wheel kit.

- National Electric Code requires generator to be properly grounded to an approved earth ground. Call an electrician for local grounding requirements.

▲ DANGER



Generator produces powerful voltage. Failure to isolate generator from power utility can result in death or injury to electric utility workers due to backfeed of electrical energy.

- When using generator for backup power, notify utility company. Use approved transfer equipment to isolate generator from electric utility.
- Use a ground circuit fault interrupter (GFCI) in any damp or highly conductive area, such as metal decking or steel work.
- DO NOT touch bare wires or receptacles.
- DO NOT use generator with electrical cords which are worn, frayed, bare or otherwise damaged.
- DO NOT operate generator in the rain.
- DO NOT handle generator or electrical cords while standing in water, while barefoot, or while hands or feet are wet.
- DO NOT allow unqualified persons or children to operate or service generator.

▲ WARNING



Unintentional sparking can result in fire or electric shock.





WHEN ADJUSTING OR MAKING REPAIRS TO YOUR GENERATOR

- Disconnect the spark plug wire from the spark plug and place the wire where it cannot contact spark plug.



⚠ WARNING

 Gasoline and its vapors are extremely flammable and explosive.

 Fire or explosion can cause severe burns or death.

WHEN ADDING FUEL

- Turn generator OFF and let it cool at least 2 minutes before removing gas cap. Loosen cap slowly to relieve pressure in tank.
- Fill fuel tank outdoors.
- DO NOT overfill tank. Allow space for fuel expansion.
- Keep gasoline away from sparks, open flames, pilot lights, heat, and other ignition sources.
- DO NOT light a cigarette or smoke.

WHEN OPERATING EQUIPMENT

- DO NOT tip engine or equipment at angle which causes gasoline to spill.


WHEN TRANSPORTING OR REPAIRING EQUIPMENT

- Transport/repair with fuel tank EMPTY or with fuel shutoff valve OFF.
- Disconnect spark plug wire.

WHEN STORING GASOLINE OR EQUIPMENT WITH FUEL IN TANK

- Store away from furnaces, stoves, water heaters, clothes dryers or other appliances that have pilot light or other ignition source because they can ignite gasoline vapors.

⚠ WARNING

 Running engines produce heat. Temperature of muffler and nearby areas can reach or exceed 150°F (65°C). Severe burns can occur on contact.

- DO NOT touch hot surfaces.
- Allow equipment to cool before touching.

⚠ CAUTION

Excessively high operating speeds increase risk of injury and damage to generator.
Excessively low speeds impose a heavy load.


- DO NOT tamper with governed speed. Generator supplies correct rated frequency and voltage when running at governed speed.
- DO NOT modify generator in any way.


CAUTION

Exceeding generators wattage/amperage capacity can damage generator and/or electrical devices connected to it.

- See “Don’t Overload Your Generator” on page 10.
- Start generator and let engine stabilize before connecting electrical loads.
- Connect electrical loads in OFF position, then turn ON for operation.
- Turn electrical loads OFF and disconnect from generator before stopping generator.

⚠ DANGER

 Storage batteries give off explosive hydrogen gas during recharging. Hydrogen gas stays around battery for a long time after battery has been charged. Slightest spark will ignite hydrogen and cause explosion. You can be blinded or severely injured.

 Battery electrolyte fluid contains acid and is extremely caustic. Contact with battery fluid will cause severe chemical burns.

- DO NOT allow any open flame, spark, heat, or lit cigarette during and for several minutes after charging a battery.
- Wear protective goggles, rubber apron, and rubber gloves.

CAUTION

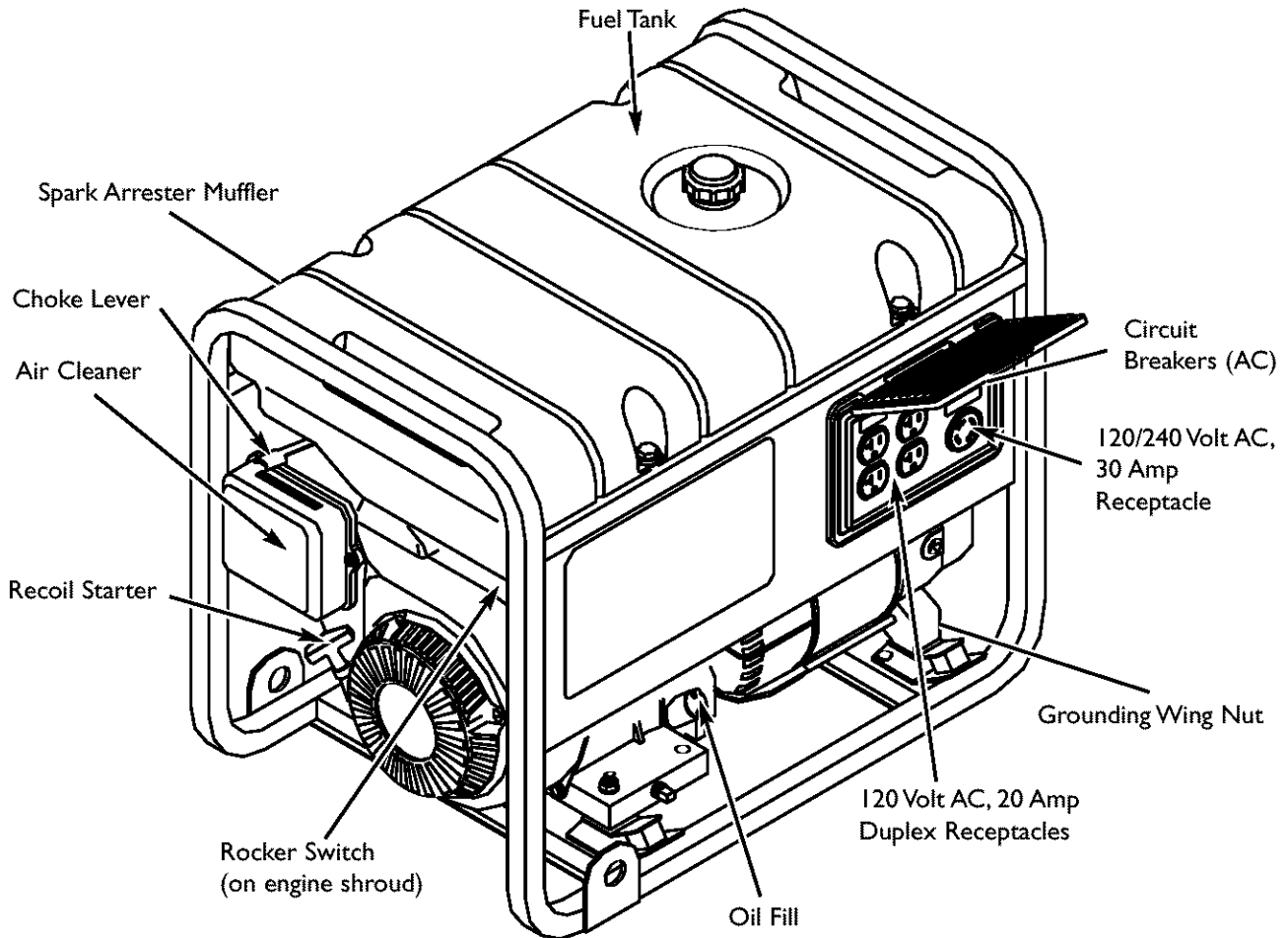
Improper treatment of generator can damage it and shorten its life.

- Use generator only for intended uses.
- If you have questions about intended use, ask dealer or contact Generac.
- Operate generator only on level surfaces.
- DO NOT expose generator to excessive moisture, dust, dirt, or corrosive vapors.
- DO NOT insert any objects through cooling slots.
- If connected devices overheat, turn them off and disconnect them from generator.
- Shut off generator if:
 - electrical output is lost;
 - equipment sparks, smokes, or emits flames;
 - unit vibrates excessively.

KNOW YOUR GENERATOR

Read this owner's manual and safety rules before operating your generator.

Compare the illustrations with your generator, to familiarize yourself with the locations of various controls and adjustments. Save this manual for future reference.



120 Volt AC, 20 Amp, Duplex Receptacles — May be used to supply electrical power for the operation of 120 Volt AC, 20 Amp, single phase, 60 Hz electrical, lighting, appliance, tool and motor loads.

120/240 Volt AC, 30 Amp Locking Receptacle — May be used to supply electrical power for the operation of 120 and/or 240 Volt AC, 30 Amp, single phase, 60 Hz electrical, lighting, appliance, tool and motor loads.

Air Cleaner — Uses a dry type filter element to limit the amount of dirt and dust sucked into the engine.

Choke Lever — Used when starting a cold engine.

Circuit Breakers (AC) — Push to reset circuit breakers are provided to protect the generator against electrical overload.

Fuel Tank — Capacity of five (5) U.S. gallons.

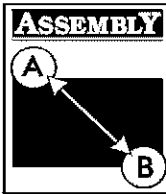
Grounding Wing Nut — Used for proper grounding of unit (see page 7).

Oil Fill — Add engine oil here.

Recoil starter — Used to start the engine.

Rocker Switch — Set this switch to "On" before using recoil starter. Set switch to "Off" to switch off engine.

Spark Arrester Muffler — Exhaust muffler lowers engine noise and is equipped with a spark arrester screen.



ASSEMBLY

Your generator requires some assembly and is ready for use after it has been properly serviced with the recommended oil and fuel.

If you have any problems with the assembly of your generator, please call the generator helpline at 1-800-270-1408.

IMPORTANT: Any attempt to run the unit before it has been serviced with the recommended oil will result in an engine failure.

Remove Generator From Carton

- Set the carton on a rigid flat surface with “This Side Up” arrows pointing upward.
- Carefully open the top flaps of the shipping carton.
- Cut down corners at one end of carton from top to bottom and lay that side of carton down flat.
- Remove all packing material, carton fillers, etc.
- Remove the generator from the shipping carton.

Install Wheel Kit

IMPORTANT: This wheel kit is not intended for over-the-road use.

To install your wheel kit you need the following tools:

- Two 13mm box, open end, or socket wrenches

Install Wheel Kit as follows:

1. Place the bottom of the generator cradle on a flat, even surface. Temporarily place unit on blocks to ease assembly.
2. Slide axle through both axle mounting brackets on cradle frame, as shown in Figure 1.
3. Slide a wheel over the axle.

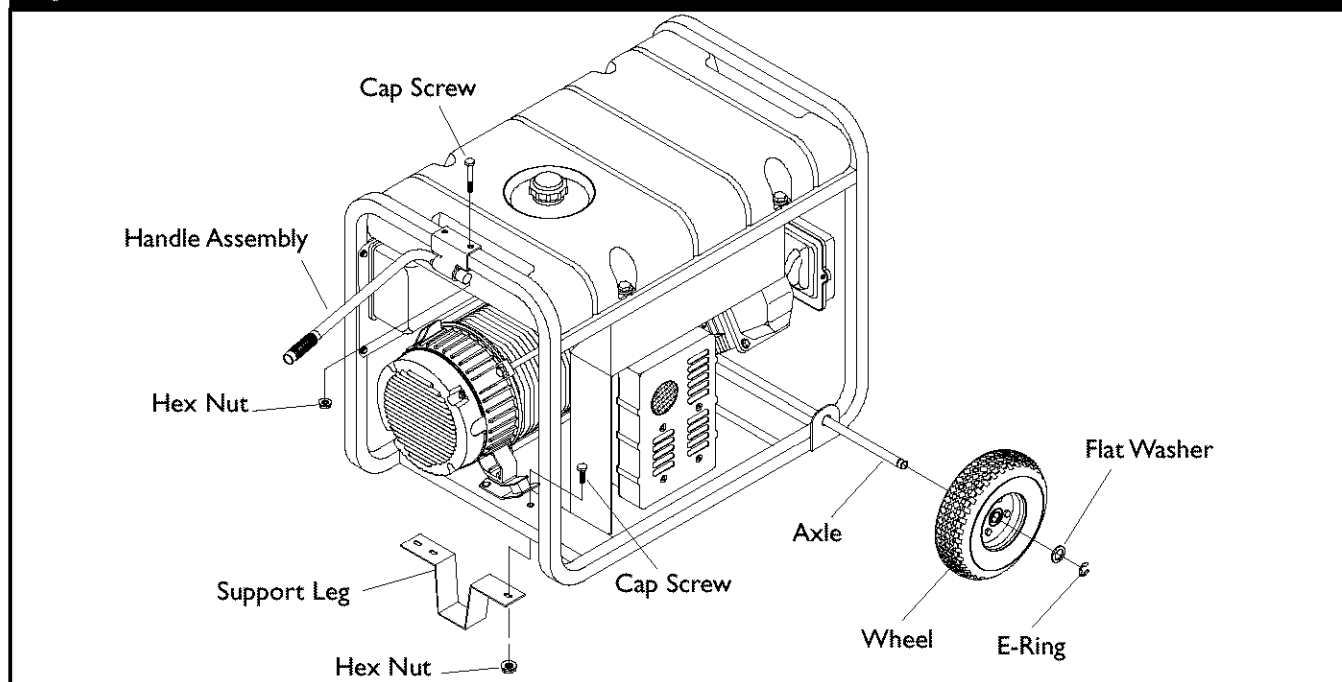
NOTE: Be sure to install both wheels with the air pressure valve on the outboard side.

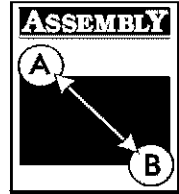
4. Place the e-ring onto the groove in the axle. You may add the flat washer if desired.

NOTE: Use retaining pins instead of e-clip, if applicable.

5. Place one end of the needle nose pliers on the bottom of the axle and the other end of the pliers on top of the e-ring. Seat the e-ring by pressing the pliers closed.

Figure 1 — Install Wheel Kit





6. Repeat step 3 through 5 to secure second wheel.
7. Remove the temporary blocks.
8. To aid support leg assembly, rest generator on cradle, engine end down. Attach the support leg with two M8 x 16mm cap screws and two locking hex nuts as shown.
9. Use two 13 mm wrenches to tighten leg hardware. Rest generator on wheels and support leg.
10. Center the handle bracket on generator frame at support leg end of cradle, as shown.
11. Attach handle bracket with two M8 x 45mm cap screws and two locking hex nuts.
12. Check that all fasteners are tight and the tires are inflated between 15-40 PSI.

BEFORE STARTING THE ENGINE

Add Oil

CAUTION! Any attempt to crank or start the engine before it has been properly filled with the recommended oil may result in an engine failure.

To fill your engine with oil:

- Place generator on a level surface.
- Follow the oil grade recommendations and oil fill instructions given in the engine owner's manual.

NOTE: The generator's revolving field rides on a prelubricated and sealed ball bearing that requires no additional lubrication for the life of the bearing.

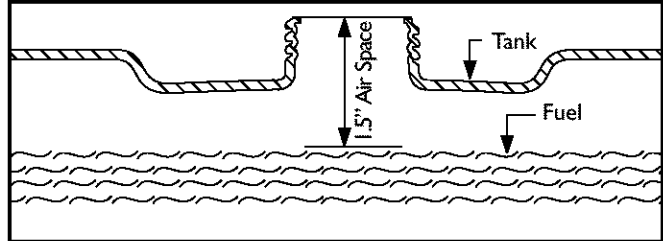
Add Gasoline

WARNING! NEVER fill fuel tank indoors. NEVER fill fuel tank when engine is running or hot. Allow unit to cool for two minutes before refueling. DO NOT light a cigarette or smoke when filling the fuel tank.

WARNING! DO NOT overfill the fuel tank. Always allow room for fuel expansion.

- Use regular **UNLEADED** gasoline with the generator engine. DO NOT use premium gasoline. DO NOT mix oil with gasoline.
- Clean area around fuel fill cap, remove cap.
- Slowly add unleaded regular gasoline to fuel tank. Be careful not to overfill. Allow about 1.5" of tank space for fuel expansion (Figure 2).

Figure 2 — Typical Fuel Expansion Space



- Install fuel cap and wipe up any spilled gasoline.

IMPORTANT: It is important to prevent gum deposits from forming in essential fuel system parts, such as the carburetor, fuel filter, fuel hose or tank during storage. Also, experience indicates that alcohol-blended fuels (called gasohol, ethanol or methanol) can attract moisture, which leads to separation and formation of acids during storage. Acidic gas can damage the fuel system of an engine while in storage.

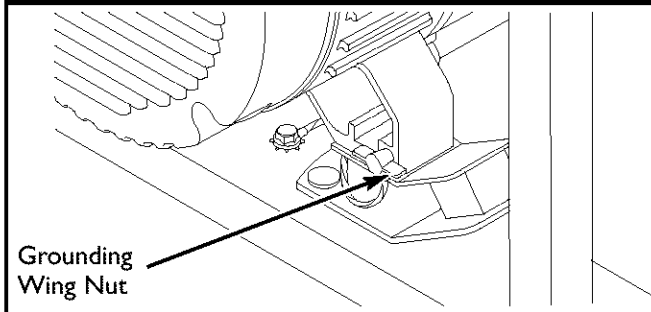
Be sure to review the precautions given in "Storage" on page 12. NEVER use engine or carburetor cleaner products in the fuel tank or permanent damage may occur.



GROUNDING THE GENERATOR

The National Electrical Code requires that the frame and external electrically conductive parts of this generator be properly connected to an approved earth ground. Local electrical codes may also require proper grounding of the unit. For that purpose, a **GROUNDING WING NUT** is provided on the generator end (Figure 3).

Figure 3 — Grounding Wing Nut



Generally, connecting a No. 12 AWG (American Wire Gauge) stranded copper wire to the grounding wing nut and to an earth-driven copper or brass grounding rod (electrode) provides adequate protection against electrical shock. Be careful to keep the grounding wire attached after connecting the stranded copper wire. However, local codes may vary widely. Consult with a local electrician for grounding requirements in your area.

Properly grounding the generator helps prevent electrical shock if a ground fault condition exists in the generator or in connected electrical devices, especially when the unit is equipped with a wheel kit. Proper grounding also helps dissipate static electricity, which often builds up in ungrounded devices.

OPERATING THE GENERATOR



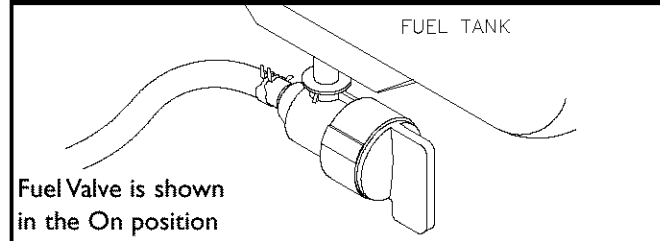
CAUTION! NEVER start or stop the engine with electrical loads connected to the receptacles AND with the connected devices turned ON.

Starting the Engine

Disconnect all electrical loads from the generator. Use the following start instruction steps by numerical order:

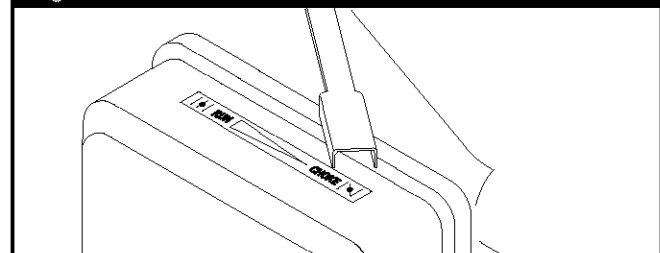
1. Turn the fuel valve to the “On” position (Figure 4).

Figure 4 — Fuel Valve



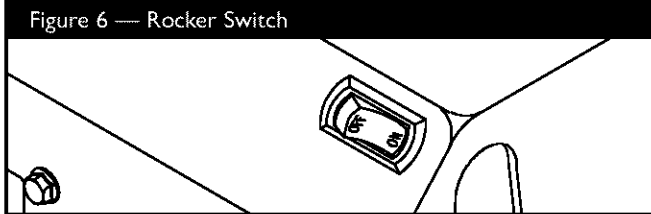
2. Place the choke lever in the “Choke” position (Figure 5).

Figure 5 — Choke Lever





- Set the rocker switch to "On" position (Figure 6).



- Grasp the recoil handle and pull slowly until slight resistance is felt. Then pull rapidly to start engine.
- Move choke lever to "Run" position a short distance at a time over several seconds in warm weather or minutes in cold weather. Let engine run smoothly before each change. Operate with choke in "Run" position.

NOTE: If engine still fails to start after 3 pulls, check for proper oil level in crankcase. This unit is equipped with a low oil device which prevents the engine from being started. See engine manual.

Refer to the engine owner's manual for more detailed starting instructions.

Connecting Electrical Loads

- Let engine stabilize and warm up for a few minutes after starting.
- Plug in and turn on the desired 120 and/or 240 Volt AC, single phase, 60 Hz electrical loads.
- DO NOT connect 240 Volt loads to the 120 Volt duplex receptacles.
- DO NOT connect 3-phase loads to the generator.
- DO NOT connect 50 Hz loads to the generator.
- DO NOT OVERLOAD THE GENERATOR.** See "Don't Overload the Generator" on page 10.

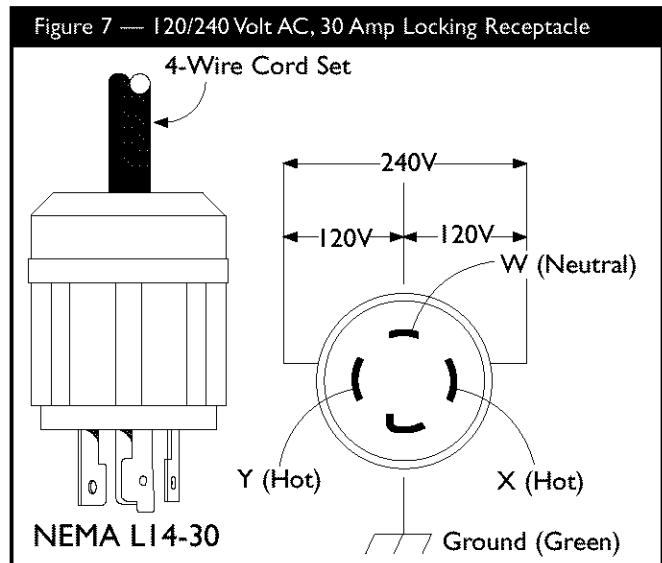
Stopping the Engine

- Unplug **all** electrical loads from generator panel receptacles. NEVER start or stop engine with electrical devices plugged in and turned **ON**.
- Let engine run at no-load for several minutes to stabilize the internal temperatures of engine and generator.
- Move rocker switch to "Off" position.
- Move the fuel valve to the "Off" position.

RECEPTACLES

120/240 Volt AC, 30 Amp, Locking Receptacle

Use a NEMA L14-30 plug with this receptacle. Connect a 4-wire cord set rated for 250 Volt AC loads at 30 Amps (or greater) (Figure 7). You can use the same 4-wire cord if you plan to run a 120 Volt load.



This receptacle powers 120/240 Volt AC, 60 Hz, single phase loads requiring up to 5,500 watts of power (5.5 kW) at 30 Amps for 120 Volts or 240 Volts. The outlet is protected by a push-to-reset circuit breaker.

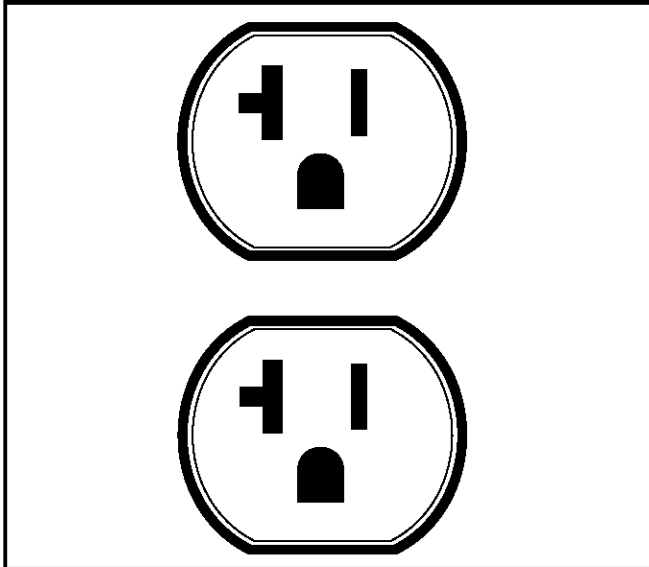
CAUTION! Although this outlet states it has a 120/240 Volt 22.9 Amp rating (up to 7,200 watts), the generator is only rated for 5,500 watts. Powering loads that exceed the wattage/amperage capacity of the generator can damage it or cause serious injuries.



120 Volt AC, 20 Amp, Duplex Receptacles

Each duplex receptacle (Figure 8) is protected against overload by a push-to-reset circuit breaker.

Figure 8 — 120 Volt, 20 Amp Duplex Receptacle



Use each receptacle to operate 120 Volt AC, single-phase, 60 Hz electrical loads requiring up to 2,400 watts (2.4 kW) at 20 Amps of current. Use cord sets that are rated for 125 Volt AC loads at 20 Amps (or greater).

CAUTION! These outlets are rated at 120 Volt 20 Amp each (up to 80 Amps). The generator is only rated for up to 45.8 Amps. Powering loads that exceed the wattage/ampere capacity of the generator can damage it or cause serious injuries.

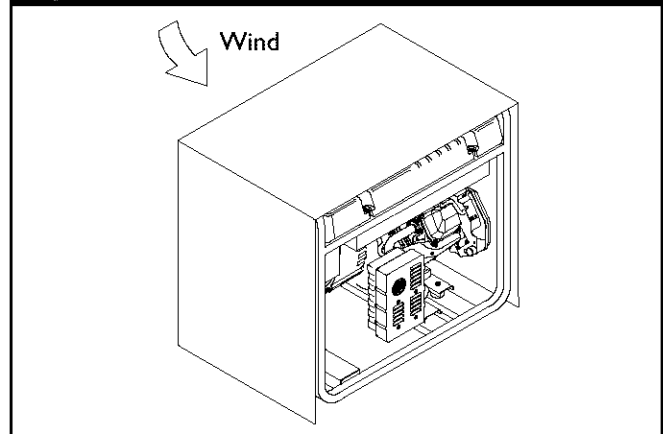
COLD WEATHER OPERATION

Under certain weather conditions (temperatures below 40°F [4°C] and a high dew point), your generator may experience icing of the carburetor and/or the crankcase breather system.

Build a structure that will enclose three sides and the top of the generator:

- Make sure entire muffler-side of generator is exposed. Note that your generator may appear different from that shown in Figure 9.

Figure 9 — Permanent Cold Weather Shelter



- Ensure a minimum of two feet clearance between open side of box and nearest object.
- Face exposed end away from wind and elements.
- Enclosure should hold enough heat created by the generator to prevent problems.

CAUTION! NEVER run unit indoors. DO NOT enclose generator any more than shown. Remove generator from shelter when temperature is above 40°F [4°C].



DON'T OVERLOAD YOUR GENERATOR

Capacity

You must make sure your generator can supply enough rated (running) and surge (starting) watts for the items you will power at the same time. Follow these simple steps:

1. Select the items you will power at the same time.
2. Total the rated (running) watts of these items. This is the amount of power your generator must produce to keep your items running. See Figure 10.
3. Estimate how many surge (starting) watts you will need. Surge wattage is the short burst of power needed to start electric motor-driven tools or appliances such as a circular saw or refrigerator. Because not all motors start at the same time, total surge watts can be estimated by adding only the item(s) with the highest additional surge watts to the total rated watts from step 2.

Example:

Tool or Appliance	Rated (Running) Watts	Additional Surge (Starting) Watts
Window Air Conditioner	1200	1800
Refrigerator	800	1600
Deep Freezer	500	500
Television	500	-
Light (75 Watts)	75	-
	3075 Total Running Watts	1800 Highest Surge Watts

Total Rated (Running) Watts = 3075
 Highest Additional Surge Watts = 1800
 Total Generator Output Required = 4875

Power Management

To prolong the life of your generator and attached devices, it is important to take care when adding electrical loads to your generator. There should be nothing connected to the generator outlets before starting it's engine. The correct and safe way to manage generator power is to sequentially add loads as follows:

1. With nothing connected to the generator, start the engine as described in this manual.
2. Plug in and turn on the first load, preferably the largest load you have.
3. Permit the generator output to stabilize (engine runs smoothly and attached device operates properly).

4. Plug in and turn on the next load.
5. Again, permit the generator to stabilize.
6. Repeat steps 4 and 5 for each additional load.

NEVER add more loads than the generator capacity. Take special care to consider surge loads in generator capacity, as described above.

Figure 10 - Wattage Reference Chart

Tool or Appliance	Rated* (Running) Watts	Additional Surge (Starting) Watts
Essentials		
Light Bulb - 75 watt	75	-
Deep Freezer	500	500
Sump Pump	800	1200
Refrigerator/Freezer - 18 Cu. Ft.	800	1600
Water Well Pump - 1/3 HP	1000	2000
Heating/Cooling		
Window AC - 10,000 BTU	1200	1800
Window Fan	300	600
Furnace Fan Blower - 1/2 HP	800	1300
Kitchen		
Microwave Oven - 1000 Watt	1000	-
Coffee Maker	1500	-
Electric Stove - Single Element	1500	-
Hot Plate	2500	-
Family Room		
DVD/CD Player	100	-
VCR	100	-
Stereo Receiver	450	-
Color Television - 27"	500	-
Personal Computer w/17" monitor	800	-
Other		
Security System	180	-
AM/FM Clock Radio	300	-
Garage Door Opener - 1/2 HP	480	520
Electric Water Heater - 40 Gallon	4000	-
DIY/Job Site		
Quartz Halogen Work Light	1000	-
Airless Sprayer - 1/3 HP	600	1200
Reciprocating Saw	960	960
Electric Drill - 1/2 HP	1000	1000
Circular Saw - 7 1/4"	1500	1500
Miter Saw - 10"	1800	1800
Table Planer - 6"	1800	1800
Table Saw/Radial Arm Saw - 10"	2000	2000
Air Compressor - 1-1/2 HP	2500	2500

*Wattages listed are approximate only. Check tool or appliance for actual wattage.



PowerBoss 5,500 Watt Storm-Plus Generator



SPECIFICATIONS

Maximum Surge Watts	8,500 watts
Continuous Wattage Capacity	5,500 watts
Power Factor	1.0
Rated Maximum Continuous AC Load Current:	
At 120 Volts	45.8 Amps
At 240 Volts	22.9 Amps
Phase	1-phase
Rated Frequency	60 Hertz
Fuel Tank Capacity	5 U.S. gallons
Shipping Weight	163 lbs.

GENERAL MAINTENANCE RECOMMENDATIONS

The Owner/Operator is responsible for making sure that all periodic maintenance tasks are completed on a timely basis; that all discrepancies are corrected; and that the unit is kept clean and properly stored. **NEVER operate a damaged or defective generator.**

Engine Maintenance

See engine owner's manual for instructions.

If you need service for your engine, you need to determine the engine identification number. To do so, remove the rocker arm cover hood, item number 55 shown on page 16, by removing the four nuts and washers holding it in place. The engine model-type-trim number is stamped on the side of the inner cover attached to the engine. Have this number in hand when you call the engine service center for assistance.

CAUTION! Avoid prolonged or repeated skin contact with used motor oil. Used motor oil has been shown to cause skin cancer in certain laboratory animals. Thoroughly wash exposed areas with soap and water.


KEEP OUT OF REACH OF CHILDREN. DON'T POLLUTE. CONSERVE RESOURCES. RETURN USED OIL TO COLLECTION CENTERS.

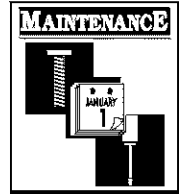
Generator Maintenance

Generator maintenance consists of keeping the unit clean and dry. Operate and store the unit in a clean dry environment where it will not be exposed to excessive dust, dirt, moisture or any corrosive vapors. Cooling air slots in the generator must not become clogged with snow, leaves or any other foreign material.

NOTE: DO NOT use a garden hose to clean generator. Water can enter engine fuel system and cause problems. In addition, if water enters generator through cooling air slots, some of the water will be retained in voids and cracks of the rotor and stator winding insulation. Water and dirt buildup on the generator internal windings will eventually decrease the insulation resistance of these windings.

To Clean the Generator

-  **CAUTION!** NEVER insert any object or tool through the air cooling slots, even if the engine is not running.
- Use a damp cloth to wipe exterior surfaces clean.
- A soft bristle brush may be used to loosen caked on dirt or oil.
- A vacuum cleaner may be used to pick up loose dirt and debris.
- Low pressure air (not to exceed 25 psi) may be used to blow away dirt. Inspect cooling air slots and opening on generator. These openings must be kept clean and unobstructed.



STORAGE

The generator should be started at least once every seven days and allowed to run at least 30 minutes. If this cannot be done and you must store the unit for more than 30 days, use the following guidelines to prepare it for storage.

Generator Storage

- Clean the generator as outlined in "To Clean the Generator."
- Check that cooling air slots and openings on generator are open and unobstructed.



CAUTION! Storage covers can be flammable. DO NOT place a storage cover over a hot generator. Let the unit cool for a sufficient time before placing the cover on the unit.

Engine Storage

See engine owner's manual for instructions.

Other Storage Tips

- To prevent gum from forming in fuel system or on essential carburetor parts, add fuel stabilizer into fuel tank and fill with fresh gasoline. Run the unit for several minutes to circulate the additive through the carburetor. The unit and fuel can then be stored for up to 24 months. Fuel stabilizer can be purchased locally.
- DO NOT store gasoline from one season to another unless it has been treated as described above.
- Replace fuel container if it starts to rust. Rust and/or dirt in fuel can cause problems if it's used with this unit.
- Store unit in a clean and dry area.

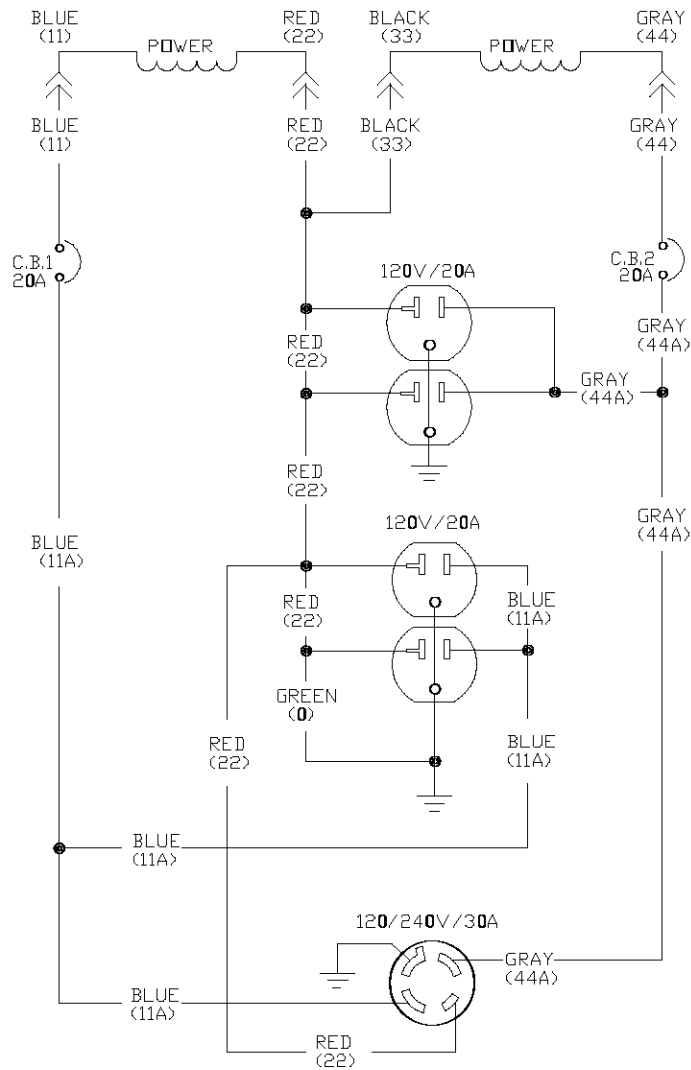
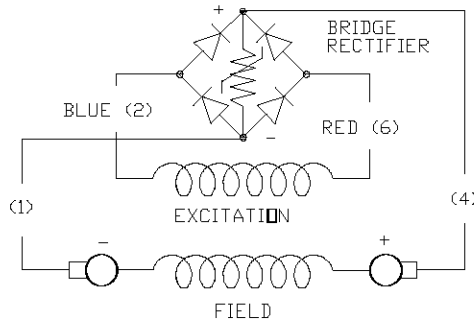


TROUBLESHOOTING

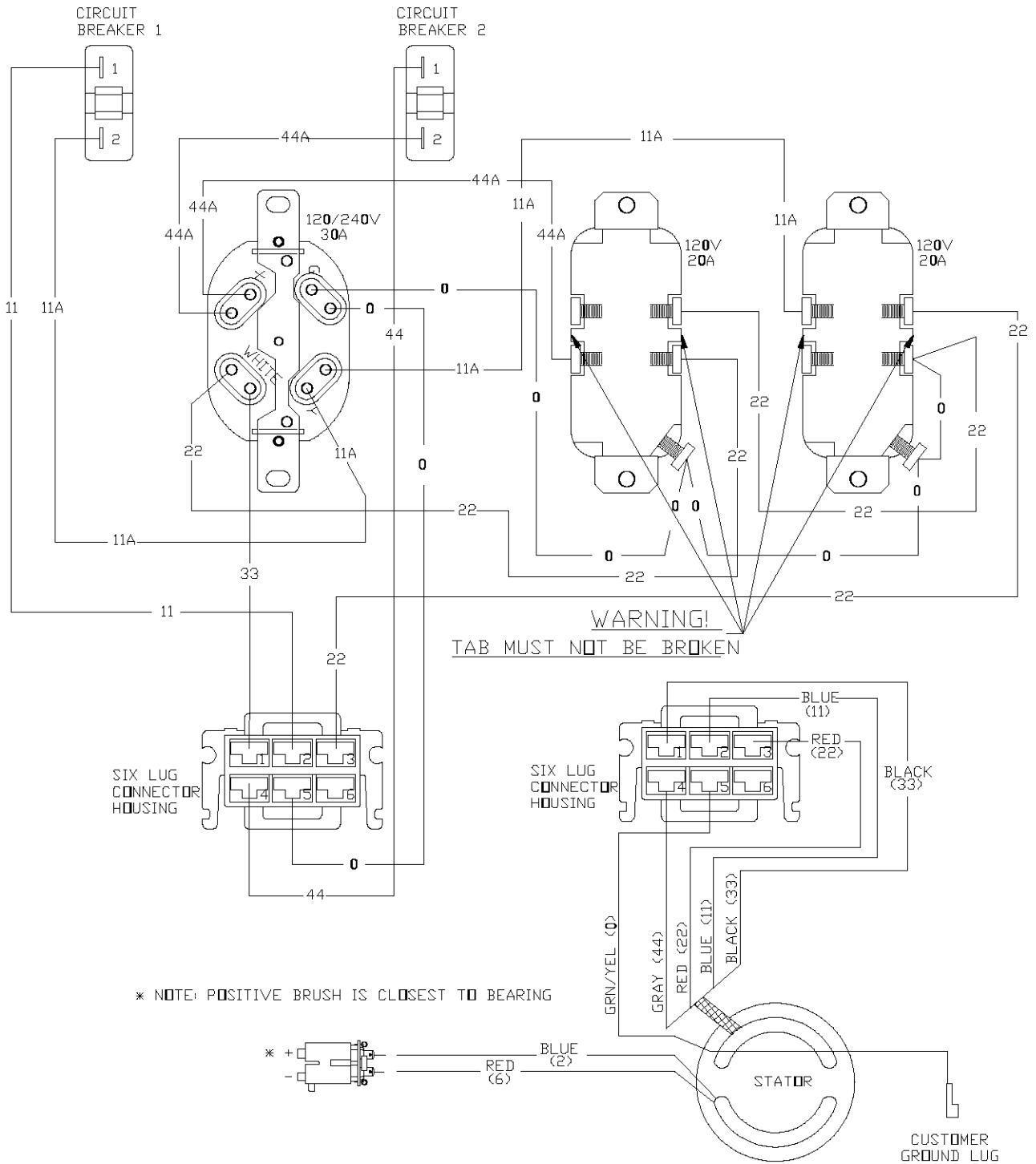
Problem	Cause	Solution
Engine is running, but no AC output is available.	<ol style="list-style-type: none"> 1. Circuit breaker is open. 2. Poor connection or defective cord set. 3. Connected device is bad. 4. Fault in generator. 	<ol style="list-style-type: none"> 1. Reset circuit breaker. 2. Check and repair. 3. Connect another device that is in good condition. 4. Contact Generac service facility.
Engine runs good but bogs down when loads are connected.	<ol style="list-style-type: none"> 1. Short circuit in a connected load. 2. Generator is overloaded. 3. Engine speed is too slow. 4. Shorted generator circuit. 	<ol style="list-style-type: none"> 1. Disconnect shorted electrical load. 2. See "Don't Overload the Generator" on page 10. 3. Contact Briggs service facility. 4. Contact Generac service facility.
Engine will not start; or starts and runs rough.	<ol style="list-style-type: none"> 1. Rocker switch set to "Off". 2. Low oil level. 3. Dirty air cleaner. 4. Out of gasoline. 5. Stale gasoline. 6. Spark plug wire not connected to spark plug. 7. Bad spark plug. 8. Water in gasoline. 9. Overchoking. 10. Excessively rich fuel mixture. 11. Intake valve stuck open or closed. 12. Engine has lost compression. 	<ol style="list-style-type: none"> 1. Set switch to "On". 2. Fill crankcase to proper level. 3. Clean or replace air cleaner. 4. Fill fuel tank. 5. Drain gas tank and fill with fresh fuel. 6. Connect wire to spark plug. 7. Replace spark plug. 8. Drain gas tank; fill with fresh fuel. 9. Set choke to "Off" position. 10. Contact Briggs service facility. 11. Contact Briggs service facility. 12. Contact Briggs service facility.
Engine shuts down during operation.	<ol style="list-style-type: none"> 1. Out of gasoline. 2. Fault in engine. 	<ol style="list-style-type: none"> 1. Fill fuel tank. 2. Contact Briggs service facility.
Engine lacks power.	<ol style="list-style-type: none"> 1. Load is too high. 2. Dirty air filter. 3. Engine needs to be serviced. 	<ol style="list-style-type: none"> 1. See "Don't Overload the Generator" on page 10. 2. Replace air filter. 3. Contact Briggs service facility.
Engine "hunts" or falters.	<ol style="list-style-type: none"> 1. Choke is opened too soon. 2. Carburetor is running too rich or too lean. 	<ol style="list-style-type: none"> 1. Move choke to halfway position till engine runs smoothly. 2. Contact Briggs service facility.

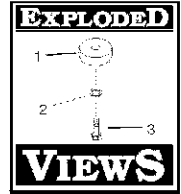


SCHEMATIC

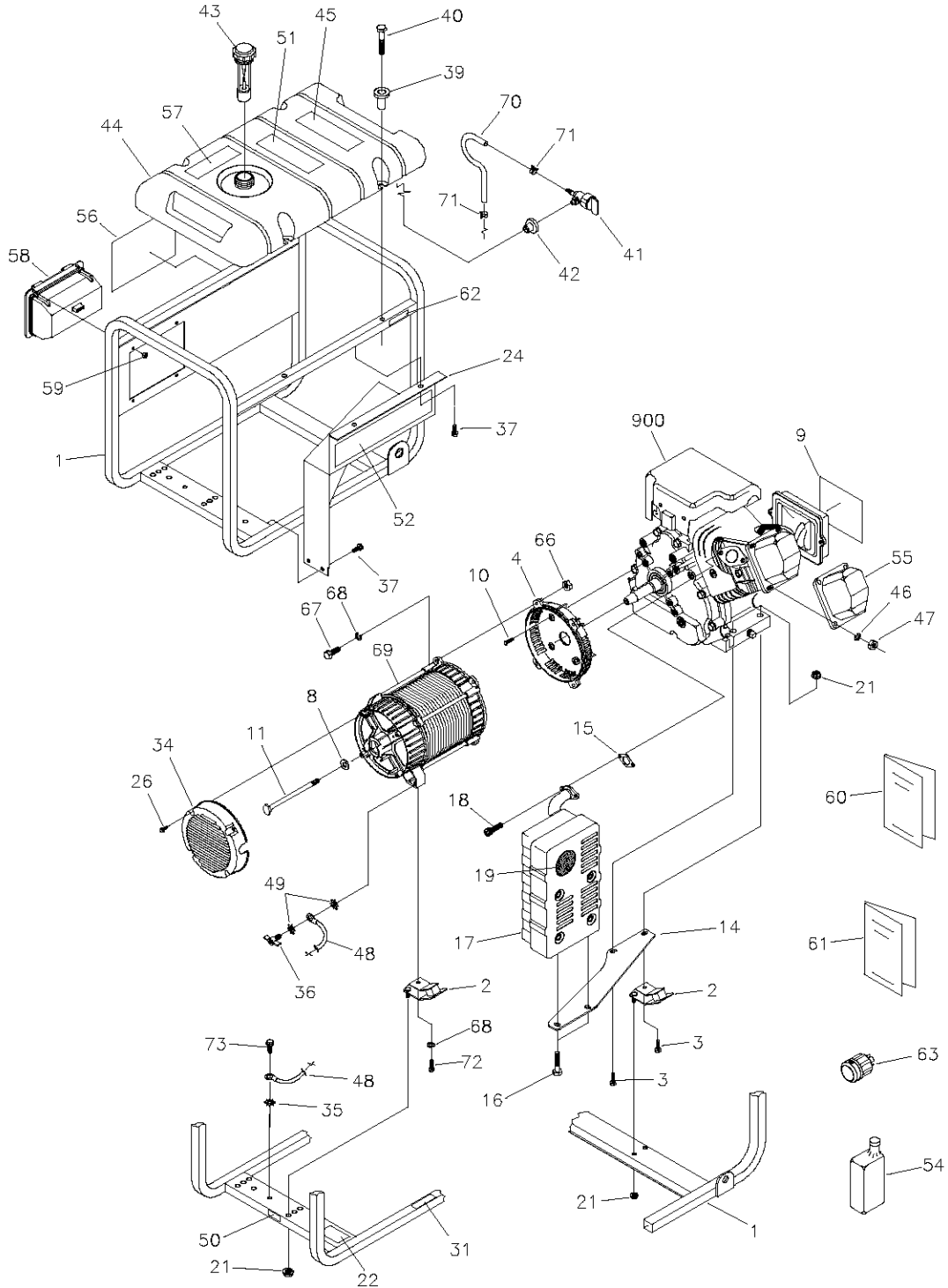


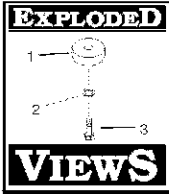
WIRING DIAGRAM





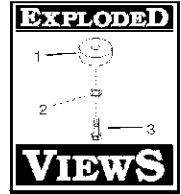
EXPLODED VIEW - MAIN UNIT



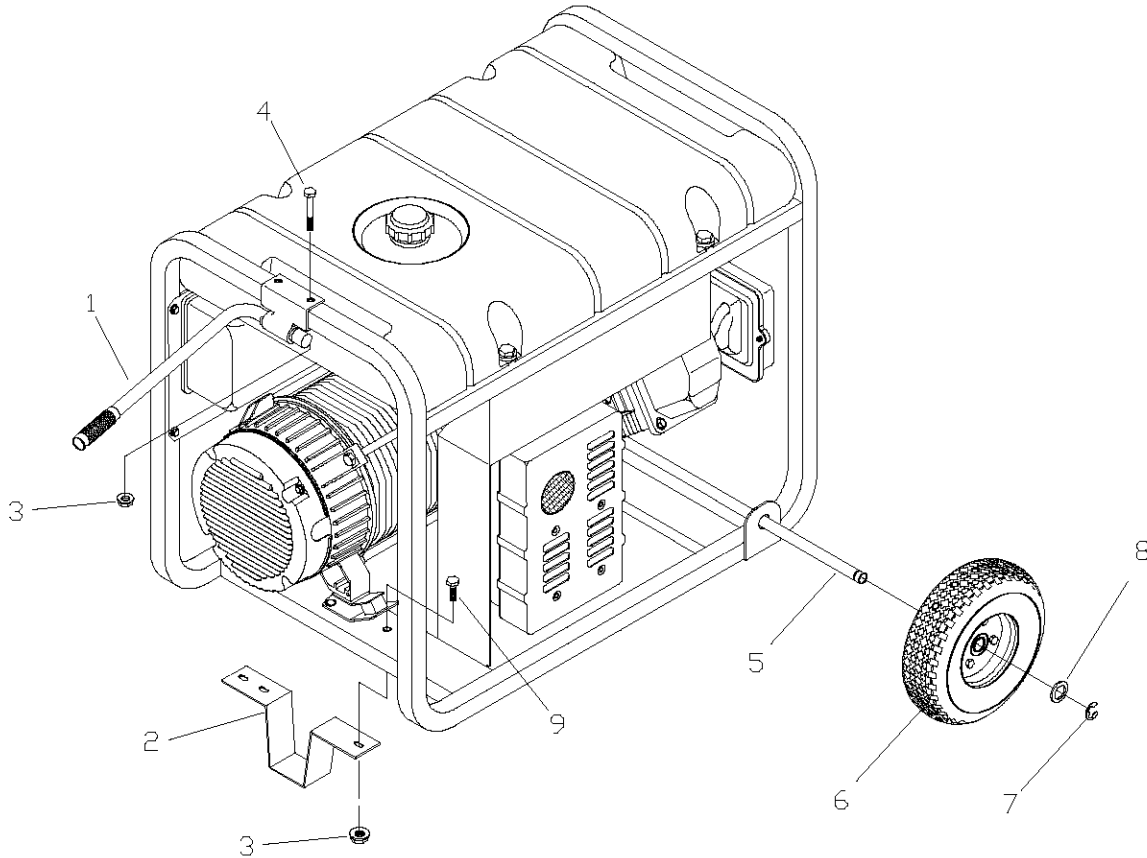


PARTS LIST – MAIN UNIT

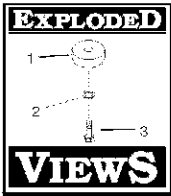
Item	Part #	Qty	Description	Item	Part #	Qty	Description
1	B189444GS	1	CRADLE	45	189235GS	1	DECAL, Start Instructions
2	70642GS	4	MOUNT,Vibration	46	22097GS	4	WASHER, Lock
3	76222GS	3	SCREW	47	22127GS	4	NUT
4	190220GS	1	HOUSING, Engine Adapter	48	14353621GS	1	WIRE, Ground
8	96796GS	1	WASHER	49	26850GS	2	WASHER
9	189186GS	1	DECAL, Cover, Air Cleaner	50	B4986GS	1	DECAL, Ground, Green
10	190274BGS	4	SCREW	51	92982GS	1	DECAL, Danger
11	187365FGS	1	SCREW	52	189153GS	1	DECAL, Quick Ref.
14	189009GS	1	BRACKET, Muffler	54	BB3061GS	1	BOTTLE, Oil
15	188551GS	1	GASKET, Exhaust	55	187330GS	1	HOOD, Rocker Arm Cover
16	66476GS	2	SCREW, w/Lock Washer	56	189025GS	1	DECAL, Panel, Side
17	189008GS	1	MUFFLER	57	188333GS	1	DECAL, Gas Fill
18	60706GS	2	SCREW	58	190355GS	1	ASSY, Control Panel (see page 19)
19	83083GS	1	SCREEN, Spark Arrest	59	189164GS	4	NUT
21	67989GS	11	NUT	60	275092	1	MANUAL, Engine
22	20566GS	1	DECAL, 1-800 #	61	189439GS	1	MANUAL, Owners
24	J189011GS	1	SHIELD, Heat	62	73054GS	1	DECAL, Shut-Off, Fuel
26	74908GS	4	SCREW	63	43438GS	1	PLUG, 250V, 30A
31	77816GS	1	DECAL, Hot Muffler	66	45771GS	4	NUT
34	186347GS	1	COVER, Bearing Carrier	67	43107GS	4	SCREW
35	23762GS	1	WASHER	68	22129GS	6	WASHER, Lock
36	86494GS	1	SCREW,Wing	69	190442GS	1	ASSY, Alternator (see page 20)
37	B2153GS	4	SCREW	70	189826GS	1	HOSE, Fuel, Formed
39	188973GS	4	GROMMET, Tank	71	48031CGS	2	CLAMP, Hose, Band
40	78831CGS	4	SCREW	72	70644GS	2	SCREW
41	80270GS	1	VALVE, Tank	73	86292GS	1	SCREW
42	78299GS	1	BUSHING, Plastic Tank	900	NSP	1	ENGINE
43	85134GS	1	CAP, Fuel Gauge				
44	189022GS	1	ASSY, Tank, Fuel (Includes Items 41 & 42)				



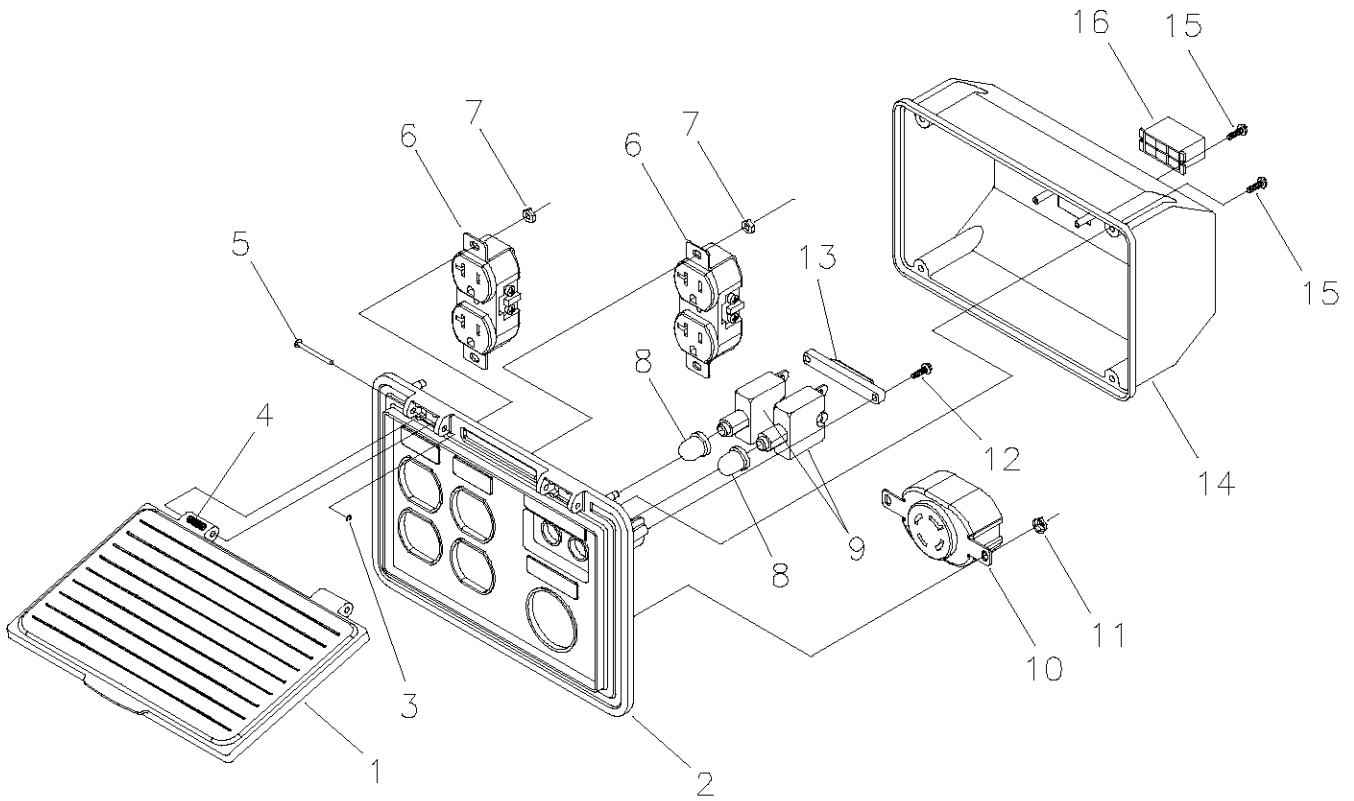
EXPLODED VIEW AND PARTS LIST – WHEEL KIT



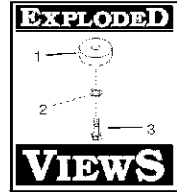
Item	Part #	Qty	Description
1	189715GS	1	ASSY, Handle
2	B1764GS	1	LEG, Mounting
3	52858GS	4	NUT, Lock
4	39287GS	2	SCREW
5	191267HGS	1	AXLE
6	B4966GS	2	WHEEL
7	191265GS	2	E-RING
8	22247GS	2	WASHER
9	42907GS	2	SCREW



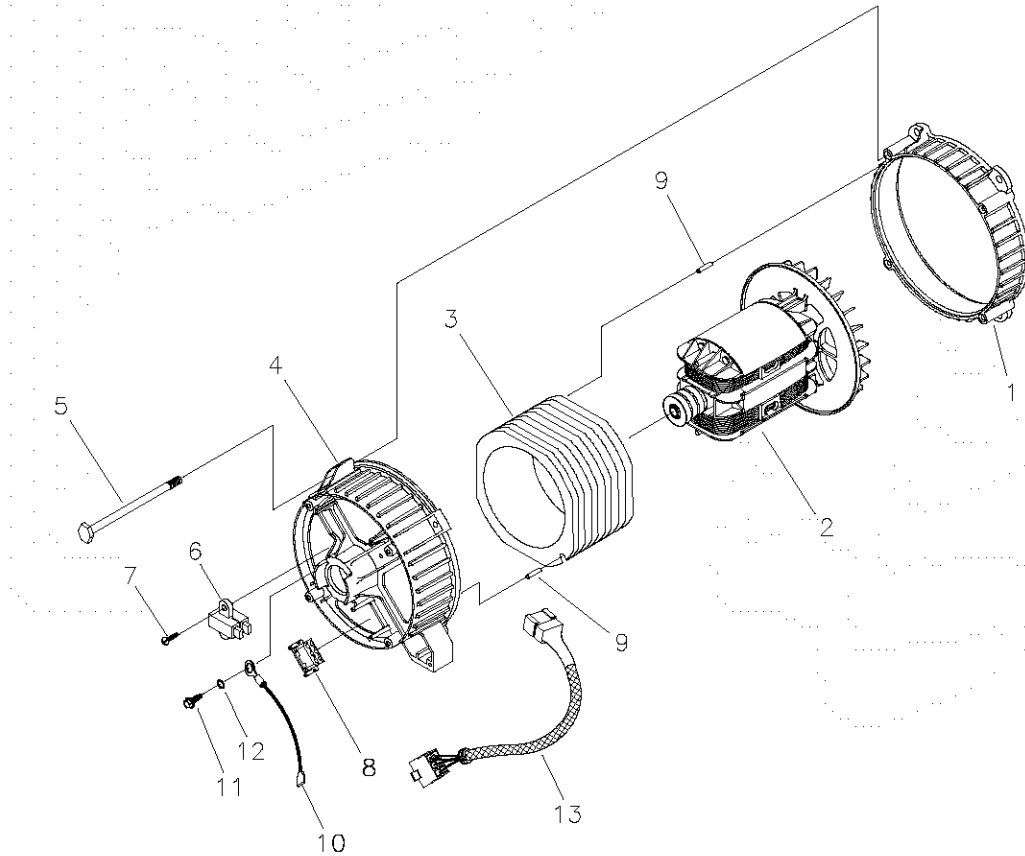
EXPLODED VIEW AND PARTS LIST – CONTROL PANEL



Item	Part #	Qty	Description
1	188914GS	1	COVER, Lid, Control Panel
2	188889GS	1	CONTROL PANEL, Compact
3	189167GS	2	CLIP, Pin Retainer
4	189182GS	2	SPRING, Hinge
5	189166GS	2	PIN, Hinge
6	68759GS	2	OUTLET, 120 V, 20 A
7	189165GS	4	NUT, Push
8	84198GS	2	CAP, Circuit Breaker
9	75207GS	2	BREAKER, Circuit
10	43437GS	1	OUTLET, 120/240 V Locking, 30A
11	189164GS	2	NUT, Push
12	84543CGS	2	SCREW
13	93857GS	1	BAR, Retaining
14	188890GS	1	COVER, Back
15	82308GS	6	SCREW
16	22694GS	1	HSNG, Receptacle



EXPLODED VIEW AND PARTS LIST - ALTERNATOR



Item	Part #	Qty	Description
1	186059GS	1	ADAPTER, Mount
2	190032GS	1	ASSY, ROTOR
3	190079AGS	1	ASSY, STATOR
4	186060GS	1	RBC, with O-Ring (p/n 189197GS)
5	86308HGS	4	SCREW
6	91825GS	1	ASSY, Holder, Rectifier/Brush
7	66849GS	2	SCREW
8	22694GS	1	RECEPTACLE, 6 pin
9	81917GS	2	PIN, Roll
10	191051AGS	1	ASSY, WIRE
11	74908GS	1	SCREW
12	23762GS	1	WASHER, Shakeproof
13	190356GS	1	HARNESS, Wire

NOTES



NOTES



DESCRIPCIÓN DEL EQUIPO



Lea este manual de manera cuidadosa y familiarícese con su generador. Conozca sus usos, sus limitaciones y cualquier peligro relacionado con el mismo.


Este generador funciona en base a un motor, de campo eléctrico giratorio y de corriente alterna (AC). Fue diseñado con la finalidad de proveer energía eléctrica para luces eléctricas, aparatos, herramientas compatibles y cargas de motor. El campo giratorio del generador funciona a una velocidad de 3,6000 rpm usando un motor con un solo cilindro.

¡PRECAUCIÓN! NO sobrepase la capacidad de vataje y amperaje del generador. Revise "No Sobrecargue el Generador" en la página 30.

Se ha hecho cada esfuerzo posible para asegurarse que la información que aparece en este manual es exacta y se encuentra actualizada. Sin embargo, Generac se reserva el derecho a cambiar, alterar o de otra manera mejorar, el producto y este documento en cualquier momento, sin previo aviso.

El Sistema de Control de Emisiones para este generador está garantizado para juegos estándares por la Agencia de Protección Ambiental. Para mayor información acerca de la garantía, consulte con el manual del propietario del motor.

INSTRUCCIONES DE SEGURIDAD

El símbolo de alerta de seguridad () es usado con una palabra (PELIGRO, ADVERTENCIA, PRECAUCIÓN), un mensaje por escrito o una ilustración, para alertarlo acerca de cualquier situación de peligro que pueda existir. **PELIGRO** indica un riesgo el cual, si no se evita, *causará* la muerte o una herida grave.

ADVERTENCIA indica un riesgo el cual, si no se evita, *puede* causar la muerte o una herida grave. **PRECAUCIÓN** indica un riesgo, el cual, si no se evita, *puede* causar heridas menores o moderadas. **PRECAUCIÓN**, cuando se usa *sin* el símbolo de alerta, indica una situación que podría resultar en el daño del equipo. Siga los mensajes de seguridad para evitar o reducir los riesgos de heridas e inclusive la muerte.

En el estado de California es obligatorio, según la ley, el uso de apagachispas (Sección 4442 del Código de Recursos Públicos de California). Otros estados pueden tener leyes similares. Las leyes federales se aplican en tierras federales. Si equipa el silenciador con un apagachispas, este deberá ser mantenido en buenas condiciones de trabajo.



ADVERTENCIA

El escape del motor de este producto contiene elementos químicos reconocidos en el Estado de California por producir cáncer, defectos de nacimiento u otros daños de tipo reproductivo.

PELIGRO



Al generador funcionar, se produce monóxido de carbono, un gas inodoro y venenoso. El respirar el monóxido de carbono, producirá náusea, desmayo o la muerte.

- Opere el generador SOLAMENTE al aire libre.
- Mantenga al menos 2 pies de espacio libre alrededor del generador, para la adecuada ventilación.
- NO opere el generador dentro de un edificio o lugar cerrado, incluyendo el compartimiento del generador en un vehículo recreativo o RV.

PELIGRO



Si no hace tierra apropiadamente con un generador, puede hacer que ocurra un electrocutamiento, especialmente si el generador se equipa con un juego de la rueda.

- Los Códigos Nacionales para la Electricidad, requieren que los generadores estén haciendo tierra de una manera aprobada. Llame a un electricista para conocer los requisitos locales para hacer tierra.

PELIGRO



Los generadores producen un voltaje muy poderoso. Si no aísla el generador de utilidades de energía, puede hacer que los trabajadores de electricidad sufran heridas graves e inclusive la muerte, debido a la retroalimentación de la energía eléctrica.

- Cuando use un generador como poder de energía auxiliar, notifique a la compañía de utilidades. Use el equipo de transferencia aprobado para aislar el generador de otra utilidad eléctrica.
- Use un interruptor para la falla del circuito de tierra (GFCI) en cualquier área bastante húmeda o que sea altamente conductiva, tales como terrazas de metal o trabajo hecho con acero.
- NO toque los alambres pelados o receptáculos.
- NO use un generador con cables eléctricos que estén malgastados, rotos, pelados o dañados de cualquier forma.
- NO opere el generador bajo la lluvia.
- NO maneje el generador o cables eléctricos mientras esté parado en agua, descalzo o cuando las manos y los pies estén mojados.
- NO permita que personas descalificadas o niños operen o sirvan al generador.



ADVERTENCIA



Chispear involuntario puede tener como resultado el fuego o el golpe eléctrico.

CUANDO AJUSTE O HAGA REPARACIONES A SU GENERADOR

- Siempre desconecte el alambre de la bujía y colóquelo donde no pueda entrar en contacto con la bujía.



⚠ ADVERTENCIA



La gasolina y sus vapores son extremadamente inflamables y explosivos.



El fuego o una explosión pueden causar quemaduras severas e inclusive la muerte.

CUANDO AÑADA COMBUSTIBLE

- Apague el generador (posición OFF) y déjelo enfriar al menos por 2 minutos antes de remover la tapa de la gasolina. Afloje la tapa lentamente para dejar que la presión salga del tanque.
- Llene el tanque al aire libre.
- NO llene demasiado el tanque. Permita al menos espacio para la expansión del combustible.
- Mantenga la gasolina alejada de chispas, llamas abiertas, pilotos, calor y otras fuentes de ignición.
- NO encienda un cigarrillo o fume.

CUANDO OPERE EL EQUIPO

- NO incline el motor o el equipo, de tal manera que la gasolina se pueda derramar.

CUANDO TRANSPORTE O REPARE EL EQUIPO

- Transporte o repare el equipo con el tanque de combustible vacío, o con la válvula para apagar el combustible, apagada (posición OFF).
- Desconecte el cable de la bujía.

CUANDO ALMACENE O GUARDE EL EQUIPO CON COMBUSTIBLE EN EL TANQUE

- Almacene alejado de calderas, estufas, calentadores de agua, secadoras de ropa u otros aparatos electrodomésticos que posean pilotos u otras fuentes de ignición, porque ellos pueden encender los vapores de la gasolina.

⚠ PELIGRO



Las baterías almacenadas producen hidrógeno explosivo mientras estén siendo recargadas.

El hidrógeno puede permanecer cerca de la batería por un periodo largo de tiempo, después que la batería haya sido recargada.

Una pequeña chispa puede encender el hidrógeno y causar una explosión.

Usted puede quedar ciego o sufrir heridas muy graves.



El fluido de electrolito de la batería contiene ácido y es extremadamente cáustico.

El contacto con el fluido de la batería puede causar quemaduras químicas severas.

- NO permita ninguna llama abierta, chispa, calor, o encienda un cigarrillo durante y por varios minutos después de haber recargado la batería.
- Lleve puestos las gafas protectoras, delantal y guantes de goma.

⚠ ADVERTENCIA



Los motores al funcionar producen calor. La temperatura del silenciador y de las áreas cercanas puede alcanzar o pasar los 150°F (65°C).

Quemaduras severas pueden ocurrir al hacer contacto.

- NO toque las superficies calientes.
- Permita que el equipo se enfríe antes de tocarlo.

⚠ PRECAUCIÓN

Las velocidades de operación en exceso, aumentan los riesgos de heridas y daños al generador.

Las velocidades bajas en exceso, imponen una carga muy pesada.

- NO cambie ninguna velocidad determinada. El generador suministra una frecuencia y un voltaje calificado cuando funciona a una velocidad determinada.
- NO modifique al generador en ninguna forma.

PRECAUCIÓN

El sobrepasar la capacidad del amperaje y vataje del generador, puede dañar al generador y los aparatos eléctricos conectados al mismo.

- Vea "No sobrecargue su generador" en la página 30.
- Encienda su generador y deje que el motor se estabilice antes de conectar las cargas eléctricas.
- Conecte las cargas eléctricas en la posición de apagado (OFF), luego encienda (ON) para su operación.
- Apague (OFF) las cargas eléctricas y desconéctelas del generador antes de parar el generador.

PRECAUCIÓN

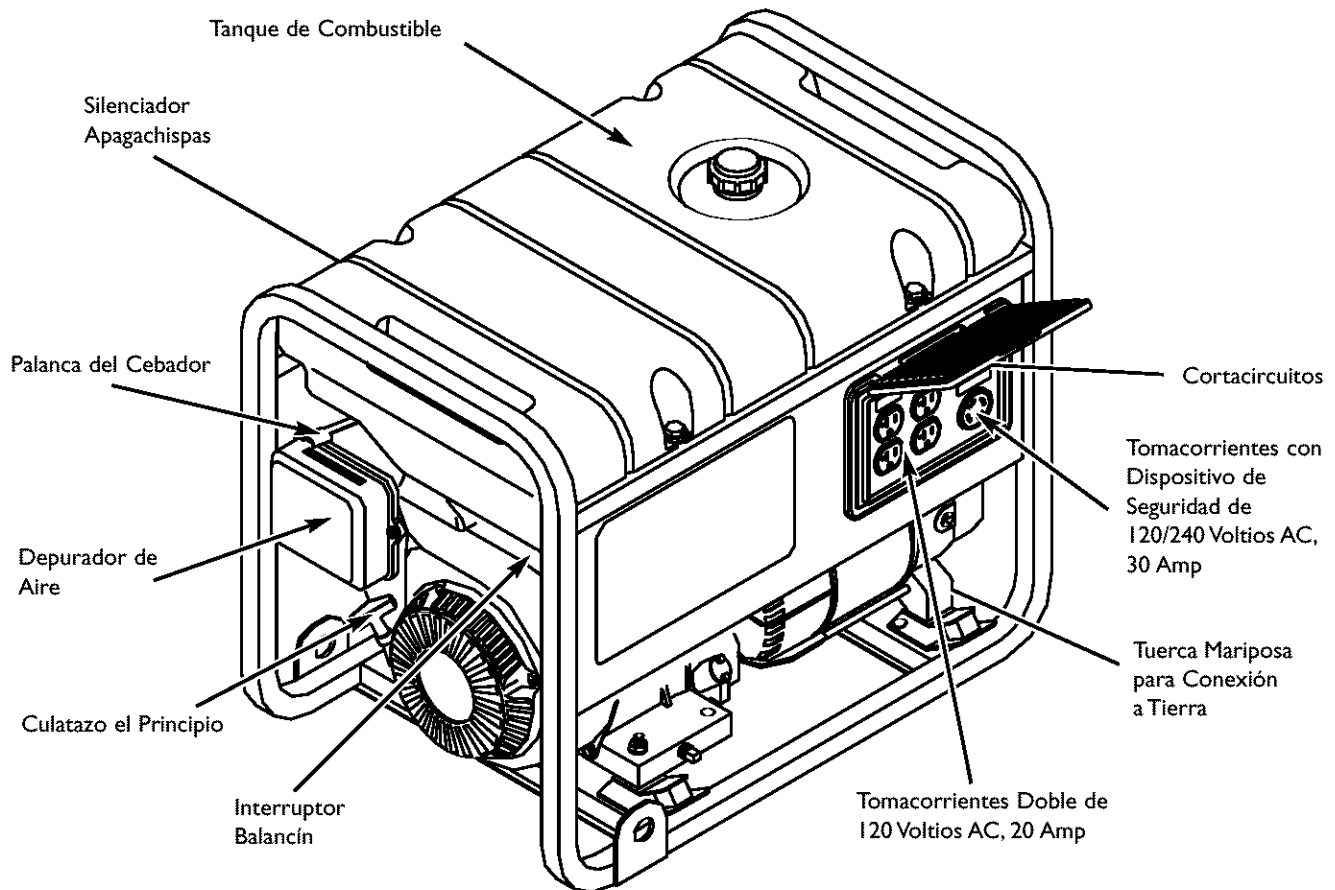
El tratamiento inadecuado del generador puede dañarlo y acortar su vida productiva.

- Use el generador solamente con la finalidad para el cual fue diseñado.
- Si usted tiene alguna pregunta acerca de las finalidades de uso del generador, pregúntele a su concesionario o contacte a Generac.
- Opere el generador solamente en superficies niveladas.
- NO exponga al generador a una humedad excesiva, polvo, suciedad o vapores corrosivos.
- NO inserte cualquier objeto a través de las ranuras de enfriamiento.
- Si los aparatos conectados se sobrecalientan, apáguelos y desconéctelos del generador.
- Apague el generador si:
 - Se pierde la salida eléctrica;
 - El equipo produce chispas, humo o emite llamas;
 - La unidad vibra de una manera excesiva.

CONOZCA SU GENERADOR

LEA ESTE MANUAL DEL PROPIETARIO Y LAS REGLAS DE SEGURIDAD ANTES DE OPERAR SU GENERADOR.

Compare las ilustraciones con su Generador para familiarizarse con las ubicaciones de los diferentes controles y ajustes. Conserve este manual para referencias futuras.



Cortacircuitos (AC) — Cada tomacorriente posee un cortacircuito para proteger el generador contra sobrecargas eléctricas. Los cortacircuitos son del tipo “oprimir para reposicionar”.

Culatazo el Principio — Usó para comenzar motor.

Depurador de Aire — Filtra el aire de entrada a medida que penetra en el motor.

Interruptor Balancín — Deberá estar en la posición “On” (En) para darle arranque al motor. Colóquelo en la posición “Off” (Apagado) para detener un motor en funcionamiento.

Palanca del Cebador — Usada cuando se está dando arranque a un motor frío.

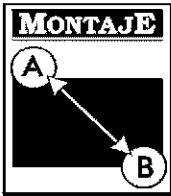
Silenciador Apagachispas — El silenciador disminuye el ruido del motor y está equipado con una pantalla apagachispas.

Tanque del Combustible — El tanque tiene una capacidad de 5 galones americanos de gasolina sin contenido de plomo.

Tomacorriente Dobles de 120 Voltios AC, 20 Amp — Pueden ser utilizados para suministrar alimentación eléctrica para el funcionamiento de cargas del motor, herramientas, aparatos especiales e iluminación eléctrica de 120 Voltios AC a 20 Amperios, monofásica de 60 Hz.

Tomacorriente con Dispositivo de Seguridad de 120/240 Voltios, 30 Amp — Puede ser utilizado para suministrar alimentación eléctrica para el funcionamiento de cargas del motor, herramientas, aparatos especiales e iluminación eléctrica de 120 y/o 240 Voltios AC a 30 Amperios, monofásica de 60 Hz.

Tuerca Mariposa para Conexión a Tierra — Usado para apropiado molió de la unidad (vea página 27).



MONTAJE

Su generador requiere de ciertos procedimientos de montaje y solo estará listo para ser utilizado después de haberle suministrado servicio con el combustible y aceite recomendados.

Si usted tiene problemas con el montaje de su generador, por favor llame a la línea de ayuda para generadores al **1-800-270-1408**.

IMPORTANTE: Cualquier intento de encender el motor antes de haber colocado el aceite recomendado resultará daño del motor.

Para Retirar el Generador de la Caja

- Coloque la caja sobre una superficie plana y rígida, con las flechas que dicen "this side up" hacia arriba.
- Abra con cuidado las tapas superiores de la caja de envío.
- Corte de arriba a abajo las esquinas de uno de los lados de la caja y coloque ese lado de la caja sobre el suelo.
- Retire todo el material de empaque, relleno, etc.
- Saque el generador de la caja de envío.

Instale el Juego de Ruedas

IMPORTANTE: Este Juego de Ruedas no ha sido diseñado para ser usado en la carretera.

Para instalar su Juego de Ruedas, usted necesitará las siguientes herramientas:

- Dos cajas de 13mm box, extremo abierto, o llave de tubo.

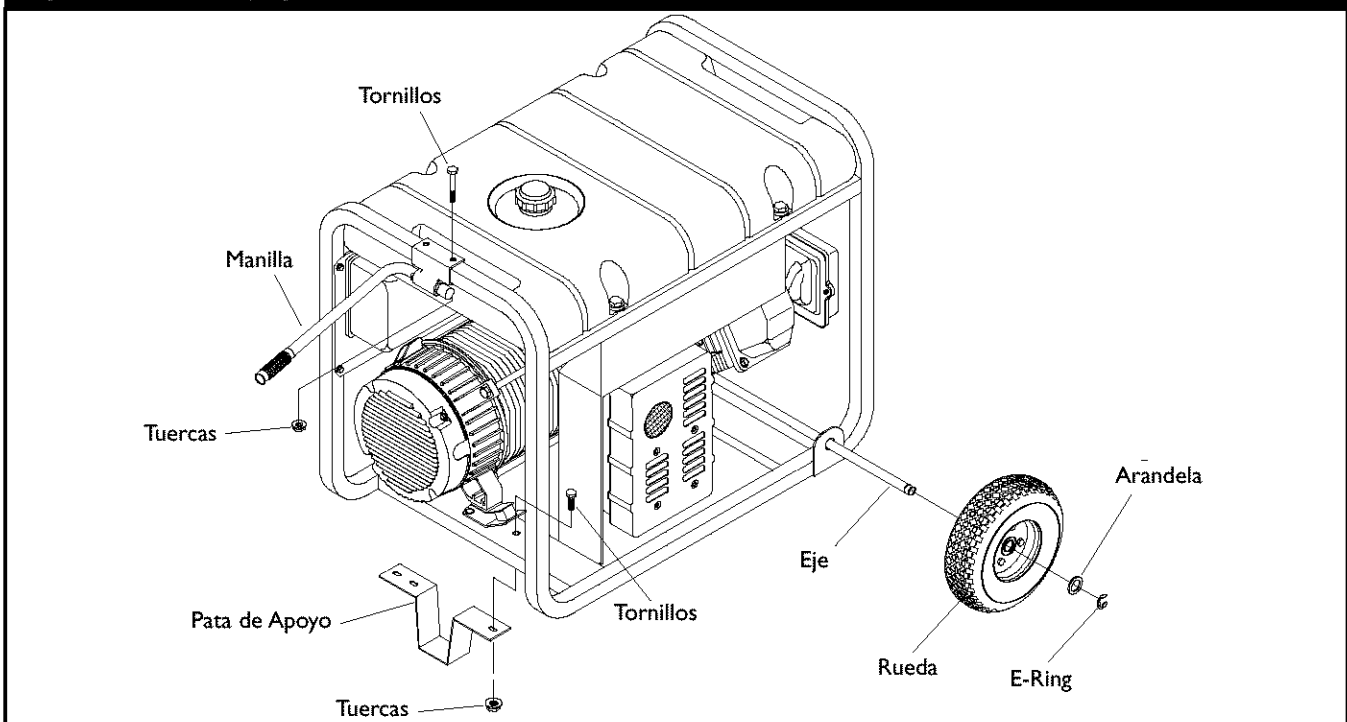
Instale el Juego de Ruedas de la manera siguiente:

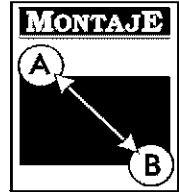
1. Coloque el fondo de la camilla del generador en una superficie plana. Temporalmente, coloque la unidad en bloques para ensamblarla fácilmente.
2. Deslice el eje a través de ambos soportes de montaje, en el marco de la camilla, como se muestra en la Figura 11.
3. Deslice una rueda en el eje.

NOTA: Asegúrese de instalar ambas ruedas con la válvula de aire hacia el lado de afuera.

4. Coloque el e-ring en la ranura del eje.
5. Coloque un extremo de las pinzas de puntas de aguja en la parte inferior del eje y el otro extremo de las pinzas en la parte superior del e-ring. Asiente el e-ring cerrando las pinzas.

Figura 11 — Instale el Juego de Ruedas





6. Repita los pasos 3 por 5 para asegurar la segunda rueda.
7. Remueva los bloques temporales.
8. Para ayudar al ensamblaje de la pata de apoyo, haga descansar el generador en la camilla con la parte del motor hacia abajo. Anexe la pata de apoyo con dos tornillos M8 x 16mm y dos tuercas de seguridad, como se muestra en la figura.
9. Use dos llaves de 13mm para apretar las piezas. Ahora haga descansar el generador en las ruedas y pata de apoyo.
10. Coloque el soporte de la manilla en el centro del marco del generador al extremo de la pata de apoyo, como se muestra.
11. Anexe el soporte de la manilla con dos tornillos M8 x 45mm y dos tuercas de seguridad.
12. Verifique que todas las piezas estén apretadas y las llantas estén infladas con aire entre 15-40 PSI.

ANTES DE DARLE ARRANQUE AL MOTOR

Agregar Aceite al Motor

CAUTION! Cualquier intento para arancar el motor antes de haberle proporcionado el mantenimiento apropiado con el aceite recomendado, podría ocasionar la falla del motor.

- Coloque la generador sobre una superficie nivelada.
- Consulte el manual del propietario del motor para añadir al motor el aceite recomendado.

NOTA: El campo giratorio del generador se encuentra en un cojinete pre-lubricado y sellado que no requiere lubricación adicional por la vida útil del cojinete.

Agregue Gasolina

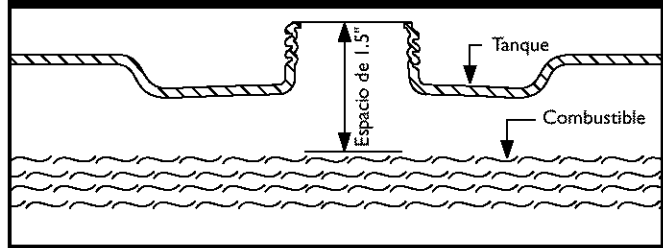
¡ADVERTENCIA! NUNCA llene el tanque del combustible en recintos cerrados. NUNCA llene el tanque del combustible cuando el motor esté en funcionamiento o caliente. NO encienda cigarrillos o fume cuando esté llenando el tanque del combustible.



¡ADVERTENCIA! NO llene excesivamente el tanque de combustible. Deje suficiente espacio para la expansión del combustible.

- Use gasolina regular **SIN CONTENIDO DE PLOMO** en el generador. NO use gasolina premium. NO mezcle aceite con gasolina.
- Limpie el área alrededor del llenado de gasolina; retire la tapa.
- Llene lentamente el tanque con gasolina sin contenido de plomo. Sea cuidadoso de no llenar excesivamente. Deje 1.5" de espacio en el tanque para que la expansión del combustible, como se muestra en esta ilustración (Figura 12).

Figura 12 — Espacio Típico para la Expansión del Combustible



- Instale la tapa del combustible y limpie cualquier derrame de gasolina.

IMPORTANTE: Es importante evitar la formación de depósitos de goma en las partes esenciales del sistema de combustible como en el carburador, filtro del combustible, manguera del combustible o tanque, durante su almacenamiento. Los combustibles mezclados con alcohol (llamados gasohol, etanol o metanol) pueden atraer la humedad, la cual produce la separación y formación de ácidos durante el almacenamiento. La gasolina ácida puede dañar el sistema de combustible de un motor durante su almacenamiento.

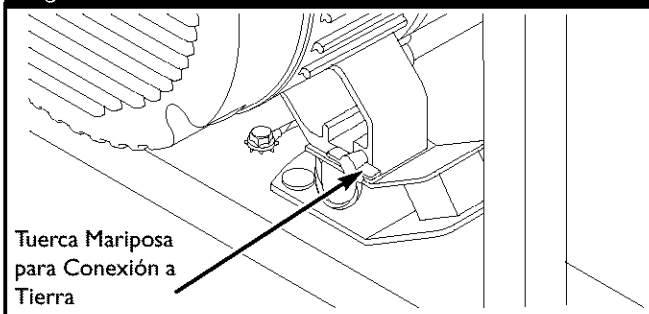
Asegúrese de revisar las precauciones dadas en "Almacenamiento" en la página 32. NUNCA use productos para limpiar motores o carburadores en el tanque del combustible; si lo hace ocurrirán daños permanentes.



CONEXION A TIERRA DEL GENERADOR

El Código Nacional de Electricidad exige que el marco y las partes exteriores del generador conductoras de electricidad, estén conectadas a tierra adecuadamente. Los códigos eléctricos locales también pueden exigir que la unidad esté conectada a tierra correctamente. Para tal propósito, se ha instalado una tuerca mariposa para conexión a tierra en la base del bastidor (Figura 13).

Figura 13 — Tuerca Para Tierra



Por lo general, la conexión de un alambre de cobre trenzado No. 12 AWG (American Wire Gauge) a la aleta de conexión a tierra y a una barra de conexión a tierra de cobre o bronce (electrodo) proporciona una protección adecuada contra las descargas eléctricas. Sin embargo, los códigos locales pueden variar substancialmente. Consulte con un electricista local para conocer los requisitos de conexión a tierra de su área.

La adecuada conexión a tierra del generador ayuda a evitar descargas eléctricas si se produce alguna falla a tierra en el generador o en los dispositivos eléctricos conectados, especialmente si el generador se equipa con un juego de la rueda. También ayuda a disipar la electricidad estática que, con frecuencia, se genera en dispositivos sin conexión a tierra.

OPERANDO EL GENERADOR

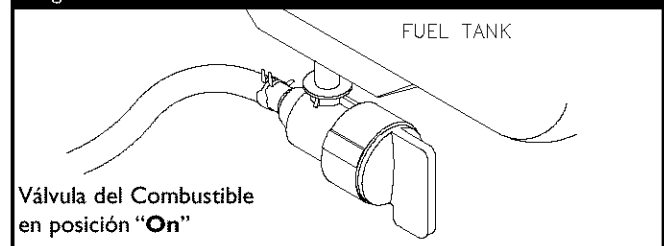
¡PRECAUCIÓN! NUNCA encienda o pare el motor con las cargas eléctricas conectadas a los receptáculos Y con los aparatos conectados ENCENDIDOS.

Encienda el Motor

Desconecte todas las cargas eléctricas del generador. Use las siguientes instrucciones para encender, paso por paso, en orden numérico.

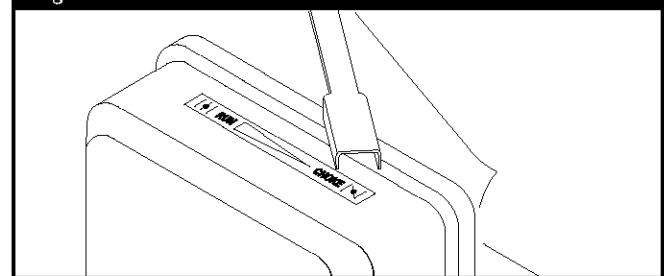
1. Gire la válvula del combustible a la posición "On" (Figura 14).

Figura 14 — Válvula de Combustible

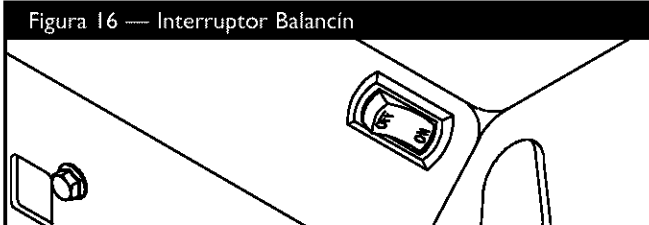


2. Coloque la palanca de choke en la posición "Choke" (Figura 15).

Figura 15 — Palanca Choke



- Coloque el interruptor balancín a la posición "On" (Figura 16).



- Agarre la manilla de retroceso y hale lentamente hasta que puede sentir un poco de resistencia. Luego hale rápidamente para encender el motor.
- Mueva la palanca de choke a la posición "Run" una distancia corta a la vez por algunos segundos en un clima cálido, o algunos minutos en un clima frío. Deje que el motor corra suavemente antes de cada cambio. Opere con el choke en la posición "Run".

NOTA: Si el motor aún falla en encender después de halar tres veces, verifique el nivel adecuado del aceite en el cigüeñal. Esta unidad está equipada con un Sistema que se apaga cuando el aceite esté bajo. Consulte con el manual del motor.

Consulte con el manual del propietario del motor para las instrucciones completas de encendido.

Conexión De Cargas Electricas

- Deje que el motor se establezca y se caliente por unos minutos después del arranque.
- Conecte y encienda las cargas eléctricas de 120 y/o 240 Voltios AC monofásicas de 60 Hz que desee.
- NO conecte cargas de 240 Voltios a tomacorrientes de 120 Voltios.
- NO conecte cargas trifásicas al generador.
- NO conecte cargas de 50 Hz al generador.
- NO SOBRECARGUE EL GENERADOR.** Vea "No Sobrecargue el Generador" en la página 30.

Parado Del Motor

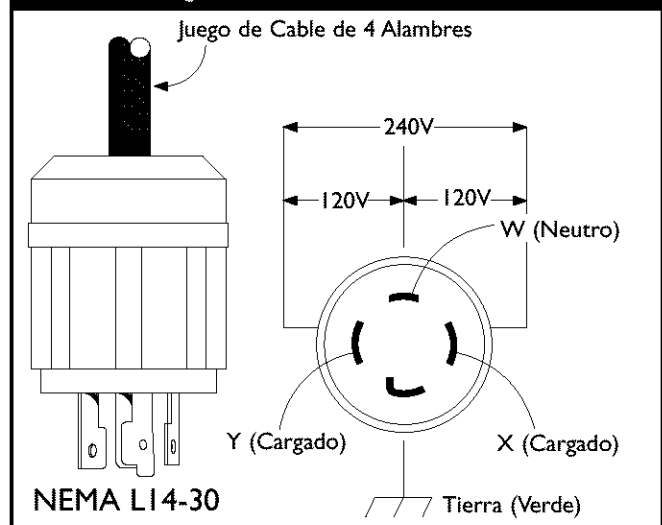
- Desconecte todas las cargas eléctricas de los tomacorrientes del panel del generador. NUNCA de arranque o detenga el motor con todos los dispositivos eléctricos conectados y encendidos.
- Deje que el motor funcione sin cargas por algunos minutos para estabilizar las temperaturas internas del motor y el generador.
- Mueva el interruptor balancín a la posición "Off" (Apagado).
- Cierre la válvula del combustible.

RECEPTÁCULOS

120/240 Voltios AC, 30 Amp, Receptáculo de Seguridad

Use un tapón NEMA L14-30 con este receptáculo. Conecte un juego de cable de 4 alambres, clasificado como 250 Voltios AC a 30 Amps (o mayor) (Figura 17). Usted puede usar el mismo cable de 4-alambres si planea trabajar con una carga de 120 Voltios.

Figura 17 — 120/240 Volt AC, 30 Amp, Receptáculo de Seguridad



Este receptáculo le provee poder a cargas de 120/240 Voltios AC, de 60 Hz, fase sencilla, que requieren hasta 5,500 vatios de energía (5.5 kW) a 22.9 Amps, para 120 Voltios o 240 Voltios. La salida está protegida por un corto-circuito de, del tipo "empuje para repositionar".

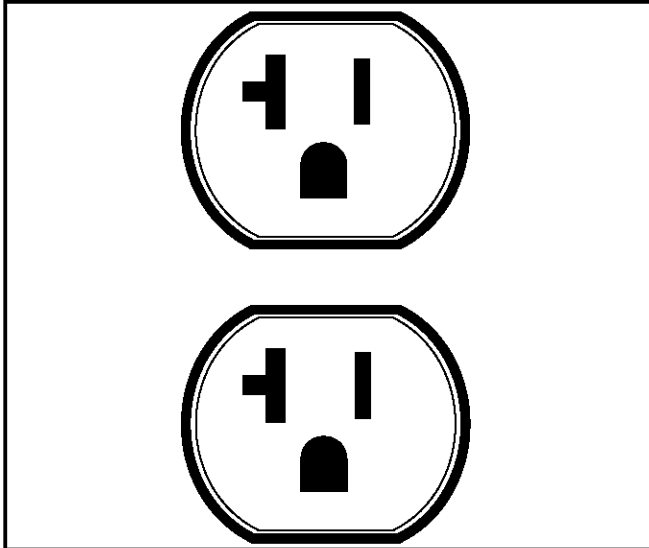
¡PRECAUCIÓN! Aunque esta salida tiene una clasificación de 120/240 Voltios 30 Amps (hasta 7,200 vatios), el generador está clasificado solamente para 5,500 vatios. Cargas que pasen la capacidad de amperaje y vataje del generador pueden dañarlo o causar accidentes muy serios.



120 Volt AC, 20 Amp, Receptáculos Dobles

Cada receptáculo (Figura 18) está protegido en contra de sobrecargas por un corto-circuitos de, del tipo "empuje para reposicionar".

Figura 18 — 120 Volt AC, 20 Amp Receptáculo Doble



Use cada receptáculo para operar 120 Voltios AC, de fase sencilla, de cargas de 60Hz que requieren hasta 2,400 vatios (2.4 kW) a corrientes de 20 Amps. Use los juegos de cables que son calificados para cargas de 125 Voltios AC, a 20 Amps (o mayores).

¡PRECAUCIÓN! Estas salidas se valoran en 120 Voltios 20 Amps (hasta 80 Amps). El generador es sólo valorado hasta 45.8 Amps. Las cargas que accionan que excede el wattage/la capacidad de amperaje del generador lo puede dañar o causar las heridas gravas.

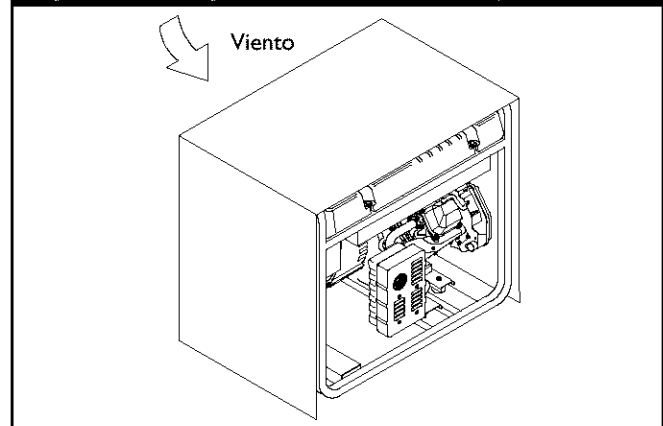
Operación Durante un Clima Frío

Bajo ciertas condiciones ambientales (temperaturas por debajo de los 40°F [4°C] y un punto alto Dew), su generador puede experimentar congelamiento del carburador y/o el sistema de respiradero del cigüeñal.

Construya una estructura que pueda cubrir los tres lados y la parte superior del generador:

- Asegúrese que el lado del amortiguador del generador está expuesto. Aquí se muestra una unidad típica, su unidad puede tener otra apariencia, como se muestra en la Figura 19.

Figura 19 — Refugio Frío Permanente del Tiempo



- Asegúrese que existe un espacio mínimo de dos pies entre el lado abierto de la caja y el objeto más cercano.
- Coloque la parte abierta fuera del viento y otros elementos.
- La cobertura debería aguantar el calor suficiente creado por el generador para prevenir problemas.

¡PRECAUCIÓN! Arranque el motor y manténgalo en marcha en exteriores. El generador no debe quedar más encerrado de lo que se muestra. Retire la protección cuando la temperatura sea superior a 4° C [40° F].



NO SOBRECARGUE EL GENERADOR

Capacidad

Usted debe asegurarse que su generador puede proveer el suficiente vataje calificado (cuando esté funcionando) y de carga (al encender) para los aparatos a los cuales va a proveer la energía, al mismo tiempo. Siga estos pasos:

1. Seleccione los aparatos que recibirán la energía, al mismo tiempo.
2. Totalice los vatios calificados (cuando esté funcionando) de estos aparatos. Esta es la cantidad de energía que su generador debe producir para mantener esos aparatos funcionando adecuadamente. Vea la Figura 20.
3. Calcule la cantidad de vatios de carga (al encender) que usted necesitará. El vataje de carga es la cantidad mínima de electricidad, necesaria para encender herramientas o aparatos con motores eléctricos, tales como, sierras circulares o refrigeradores. Debido a que no todos los motores se encienden al mismo momento, el vataje total de carga se puede estimar al añadir solamente el(los) aparato(s) con el vataje adicional más alto, al total del vataje calificado, obtenido en el paso 2.

Ejemplo:

Herramienta o Aparato Eléctrico	Vatios Calificados (cuando esté funcionando)	Vatios Adicionales de Carga (al encender)
Aire Acondicionado de Ventana	1200	1800
Refrigerador	800	1600
Congelador industrial	500	500
Televisión	500	-
Luz (75 Vatios)	75	-
	Total = 3075 Vatios para funcionar	1800 (Vatios de Carga más alto)

Vataje Total Calificado (cuando esté funcionando) = 3075

Vataje de Carga Adicional más alto = 1800

Salida Total Requerida del Generador = 4875

Control de la Energía

Para prolongar la vida de su generador y los aparatos que estén conectados al mismo, es muy importante cuidarlo cuando se le añaden cargas eléctricas. Nada debería estar conectado a los tomacorrientes del generador antes de que su motor sea encendido. La forma correcta y más segura para controlar la energía del generador, es la de añadir en secuencias las cargas, como se describe a continuación:

1. Sin tener nada conectado al generador, encienda el motor de la manera descrita en este manual.
2. Conecte y encienda la primera carga, preferiblemente la mayor que usted tenga.
3. Permita que la salida del generador se estabilice (el motor funciona suavemente y el aparato conectado al mismo trabaja adecuadamente).

4. Conecte y encienda la próxima carga.
5. De nuevo, permita que el generador se estabilice.
6. Repita los pasos 4 y 5 para cada carga adicional que usted tenga.

NUNCA añada más cargas sobre la capacidad del generador. Tome una atención especial en considerar las cargas de corriente según la capacidad del generador, como se describe arriba.

Figura 20 - Guía de Referencia de Vataje

Herramienta o Aparato Eléctrico	Vatios Calificados* (cuando esté funcionando)	Vatios Adicionales de Carga (al encender)
Esenciales		
Bombilla - 75 vatios	75	-
Congelador industrial	500	500
Bomba de aguas negras	800	1200
Refrigerador / congelador - 18 pies cúbicos	800	1600
Bomba de agua - 1/3 HP	1000	2000
Calefacción / enfriamiento		
Aire Acond. de ventana - 10.000 BTU	1200	1800
Calefactor de caldera - 1/2 HP	800	1300
Cocina		
Horno de microondas - 1.000 Vatios	1000	-
Cafetera	1500	-
Cocina eléctrica - Elemento simple	1500	-
Calientaplatos	2500	-
Habitación Familiar		
Tocador de DVD/CD	100	-
VCR	100	-
Receptor estéreo	450	-
Televisor a color - 27 pulg.	500	-
Computadora personal con monitor de 17 pulg.	800	-
Otros		
Sistema de seguridad	180	-
Radio-Reloj AM/FM	300	-
Abridor de garaje - 1/2 HP	480	520
Calentador eléctrico de agua - 40 galones	4000	-
Taller		
Luz de halógeno para trabajar	1000	-
Rociador sin aire - 1/3 HP	600	1200
Sierra intercambiable	960	960
Taladro eléctrico - 1/2 HP	1000	1000
Sierra circular - 7 1/4 pulg.	1500	1500
Sierra inglete - 10 pulg.	1800	1800
Mesa de planificación - 6 pulg.	1800	1800
Sierra de mesa / sierra de brazo radial - 10 pulg.	2000	2000
Compresor de aire - 1-1/2 HP HP = Caballo de fuerza.	2500	2500

*El vataje que aparece en la lista es solamente una cantidad aproximada. Verifique la herramienta o aparato eléctrico para obtener el vataje verdadero.



ESPECIFICACIONES

Potencia Máxima	8,500 Vatios (8.5 kW)
Potencia de Sobretensión	5,500 Vatios (5.5 kW)
Voltaje Nominal AC	120/240 Voltios
Corriente Máxima a 240 Voltios	22.9 Amperios
Corriente Máxima a 120 Voltios	45.8 Amperios
Frecuencia Nominal	60Hz a 3600 rpm
Fase	Monofásica
Tanque del Combustible	5 Galones Americanos
Peso que Embarca	163 lbs.

RECOMENDACIONES GENERALES DE MANTENIMIENTO

El propietario / operador es responsable por asegurarse de que todos los trabajos periódicos de mantenimiento se lleven a cabo adecuadamente; que todos los problemas son resueltos; y que la unidad se mantiene limpia y adecuadamente almacenada. NUNCA opere un generador que esté dañado o defectuoso.

Mantenimiento del Motor

Consulte el manual del propietario del motor para las instrucciones de cómo mantener adecuadamente el motor.



¡PRECAUCIÓN! Evite el contacto prolongado o repetido de piel con aceite usado de motor. El aceite usado del motor ha sido mostrado al cancer de la piel de la causa en ciertos animales del laboratorio.

Completamente lavado expuso áreas con el jabón y el agua.

MANTENGA FUERA DE ALCANCE DE NIÑOS. NO CONTAMINE. CONSERVE los RECURSOS. VUELVA ACEITE USADO A la COLECCION CENTRA.

Mantenimiento del Generador

El mantenimiento del generador consiste en conservar la unidad limpia y seca. Opere y almacene la unidad en un ambiente limpio y seco donde no será expuesta al polvo, suciedad, humedad o vapores corrosivos. Las ranuras del aire de enfriamiento del generador no deben estar tapadas con nieve, hojas, o cualquier otro material extraños. Revise frecuentemente la limpieza del generador y límpielo cuando esté con polvo, sucio, con aceite, humedad, o cuando otras substancias extrañas sean visibles en su superficie exterior.

NOTA: NO recomendamos el uso de mangueras de jardín para limpiar el generador. El agua podría introducirse en el sistema de combustible del motor y causar problemas. Además, si el agua se introduce al generador a través de las ranuras para aire de enfriamiento, algo del agua quedará retenida en los espacios vacíos y grietas del aislamiento del devanado del estator y rotor. La acumulación de agua y suciedad en los devanados internos del generador disminuirá eventualmente la resistencia del aislamiento de estos devanados.

Para Limpiar el Generador

- Utilice un trapo húmedo para limpiar las superficies exteriores.
- Puede usar un cepillo de cerdas suaves para retirar la suciedad endurecida, aceite, etc.
- Puede usar una máquina aspiradora para eliminar suciedad y residuos sueltos.
- Puede usar aire a baja presión (que no exceda los 25 psi) para eliminar la suciedad. Inspeccione las ranuras para aire de enfriamiento y la apertura del generador. Estas aperturas deberán mantenerse limpias y despejadas.



ALMACENAMIENTO

El generador deberá ser encendido al menos una vez cada siete días y deberá dejarlo funcionar al menos durante 30 minutos. Si no puede hacer esto y debe almacenar la unidad por más de 30 días, siga las siguientes instrucciones para preparar su unidad para almacenamiento.

Almacenando el Generador

- Limpie el generador como está descrito en ("Para Limpiar el Generador").
- Revise que las ranuras para el aire de enfriamiento y las aperturas del generador se encuentren abiertas y despejadas.



¡PRECAUCIÓN! Las cubiertas para almacenamiento pueden ser inflamables. NO coloque una cubierta encima de un generador caliente. Deje que la unidad se enfríe lo suficientemente antes de que le coloque la cubierta.

Almacenando el Motor

Consulte el manual del propietario del motor para las instrucciones de cómo preparar adecuadamente el motor para su almacenamiento.

Otras Sugerencias Para el Almacenando

- Para prevenir que se forme una resina en el sistema de combustible o en partes esenciales del carburador, vacíe estabilizadores del combustible, suministrados, en el tanque de gasolina y llene con gasolina fresca. Haga funcionar la unidad por algunos minutos para hacer circular el aditivo a través del carburador. La unidad y el combustible pueden ser almacenados hasta por 24 meses. Se puede comprar más estabilizador del combustible, en su tienda local.
- NO almacene gasolina de una estación a otra estación, al menos que haya sido tratada como se mencionó antes.
- Reemplace la caneca de gasolina si comienza a oxidarse. El óxido y/o la suciedad en la gasolina le causará problemas.
- Almacene la unidad en un área limpia y seca.

DIAGNOSTICOS DE AVERÍAS

Problema	Causa	Accion
El motor está funcionando pero no existe salida de AC disponible.	<ol style="list-style-type: none"> 1. El interruptor automático de circuito está abierto. 2. Conexión mal o defectuosa del juego de cables. 3. El dispositivo conectado está dañado. 4. Avería en el generador. 	<ol style="list-style-type: none"> 1. Reposicione el interruptor. 2. Revise y repare. 3. Conecte otro dispositivo que esté buenas condiciones. 4. Contacte el Departamento de Servicio Generac.
El motor funciona bien sin carga pero "funciona mal" cuando se le conectan cargas.	<ol style="list-style-type: none"> 1. Corto circuito en una de las cargas conectadas. 2. El generador está sobrecarga. 3. Velocidad del motor es muy lenta. 4. Circuito del generador en corto. 	<ol style="list-style-type: none"> 1. Desconecte la carga eléctrica en corto. 2. Vea "No Sobrerecarque el Generador" en la página 30. 3. Contacte el Departamento de Servicio Briggs and Stratton. 4. Contacte el Departamento de Servicio Generac.
El motor no se enciende; o se enciende y funciona mal.	<ol style="list-style-type: none"> 1. Interruptor Run/Stop posicioando en "Off". 2. Depurador de aire sucio. 3. Sin gasolina. 4. Gasolina vieja. 5. El cable de la bujía no está en malas la bujía. 6. Bujía defectuosa. 7. Agua en la gasolina. 8. Sobrecebado. 9. Mezcla de combustible excesivamente rica. 10. La válvula de corte de combustible. 11. La válvula de entrada está atascada está cerrada. 12. El motor ha perdido compresión. 	<ol style="list-style-type: none"> 1. Coloque del interruptor en "On". 2. Limpie o reemplace el depurador de aire. 3. Llénelo con combustible fresco. 4. Drene el tanque de gasolina; llénelo con combustible fresco. 5. Conecte el cable a la bujía. 6. Reemplace la bujía. 7. Drene el tanque de gasolina; llénelo con combustible fresco. 8. Abra por completo el cebador y haga girar el motor. 9. Contacte el Departamento de Servicio Briggs. 10. Contacte el Departamento de Servicio Briggs. 11. Contacte el Departamento de Servicio Briggs. 12. Contacte el Departamento de Servicio Briggs.
El motor se apaga en pleno funcionamiento.	<ol style="list-style-type: none"> 1. Sin gasolina. 2. Nivel de aceite bajo. 	<ol style="list-style-type: none"> 1. Llene el tanque de combustible. 2. Llene de caja del cigüeñal al nivel correcto.
Al motor le hace falta potencia.	<ol style="list-style-type: none"> 1. La carga es muy alta. 2. Filtro de aire sucio. 	<ol style="list-style-type: none"> 1. Vea "No Sobrerecarque el Generador" la página 30. 2. Reemplace el filtro de aire.
El motor "no funciona continuamente" o se detiene.	<ol style="list-style-type: none"> 1. El cebador fue abierto muy rápidamente. 2. Carburador con mezcla de aire-combustible muy rica o muy pobre. 	<ol style="list-style-type: none"> 1. Mueva el cebador a la posición intermedia hasta que el motor funcione suavemente. 2. Contacte el Departamento de Servicio Briggs.

GARANTÍA LIMITADA

PÓLIZA DE GARANTÍA PARA LOS PROPIETARIOS DE PRODUCTOS PORTÁTILES GENERAC Efectiva desde el 1ro de Octubre, 2001

GARANTÍA LIMITADA

"Los productos portátiles Generac, LLC reparará o reemplazará, sin costo alguno, cualquier parte o partes del equipo que estén defectuosas en materiales o mano de obra, o ambos. Los cargos por concepto de transporte en las partes sometidas a reparación o reemplazo bajo esta garantía deben ser cubiertos por el comprador. Esta garantía es efectiva por un cierto periodo de tiempo y está sujeta a las condiciones provistas en la póliza. Para el servicio de garantía, consiga el concesionario autorizado más cercano en nuestro mapa localizador de concesionarios en www.generac-portables.com o llame al 1-877-544-0982. NO EXISTE OTRA GARANTÍA EXPRESA. LAS GARANTÍAS IMPLÍCITAS, INCLUYENDO AQUELLAS DE MERCANTIBILIDAD O CAPACIDAD PARA UN PROPÓSITO PARTICULAR, ESTÁN LIMITADAS AL PERIODO DE TIEMPO ESPECIFICADO, O HASTA EL LÍMITE PERMITIDO POR LA LEY, TODA Y CUALQUIER GARANTÍA IMPLÍCITA ESTÁ EXCLUIDA. RESPONSABILIDAD POR DAÑOS CONSECUTOS BAJO CUALQUIER Y TODAS LAS GARANTÍAS, ESTÁN EXCLUIDAS HASTA EL LÍMITE DE EXCLUSIÓN PERMITIDO POR LA LEY. Algunos estados no permiten limitaciones en cuánto y cuán implicadas, las garantías pueden ser y algunos estados no permiten la exclusión o limitación de daños incidentales o consecuentes, por lo que las limitaciones y exclusiones arriba mencionadas, es posible, que no se apliquen a usted. Esta garantía le proporciona derechos legales específicos y es posible que usted tenga otros derechos los cuales pueden variar de estado a estado y de país a país."

PERIODO DE GARANTÍA*

PRODUCTOS**	PARA USO DEL CONSUMIDOR	PARA USO COMERCIAL	UNIDADES REACONDICIONADAS POR LA FABRICA
Generador portátil (Válvula lateral con motor)	1 año	90 días	90 días
Generador portátil (Motor de válvula superior)	2 años (el segundo año solamente para las partes)	1 año	90 días
Lavador eléctrico a presión	1 año	ninguno	ninguno
Lavador de gasolina a presión	1 año	90 días	90 días

* El periodo de garantía comienza en la fecha de compra hecha por el primer consumidor al detal o usuario comercial, y continúa por el periodo de tiempo que aparece en la tabla arriba mencionada. "Para uso del consumidor" significa, uso residencial por un consumidor al detal. "Para uso comercial" significa, todos los otros casos, incluyendo el uso comercial, para generar un ingreso o por propósitos de alquiler. Una vez que el equipo ha sido usado comercialmente, debería ser considerado como de uso comercial para las finalidades de esta garantía. El equipo usado, el equipo de demostración y el equipo usado como energía primaria en lugares donde las utilidades públicas no están garantizados. Los accesorios tales como pistolas, mangueras, varillas y boquillas están excluidos de la garantía del producto.

** El motor a gasolina y las baterías para el encendido, están garantizados por el fabricante de esos productos.

EL REGISTRO DE LA GARANTÍA NO ES NECESARIO PARA OBTENER LA GARANTÍA EN LOS EQUIPOS PORTÁTILES DE GENERAC. GUARDE SU RECIBO DE COMPRA. SI USTED NO PROVEE LA PRUEBA DE LA FECHA DE LA COMPRA INICIAL, AL MOMENTO EN QUE SE REQUIERA USAR LA GARANTÍA, LA FECHA DE LA FABRICACIÓN DEL EQUIPO SERÁ USADA PARA DETERMINAR EL PERIODO DE GARANTÍA.

Acerca de la seguridad de su equipo:

Los Productos Portátiles Generac, reciben las reparaciones bajo la garantía y le pide disculpas por cualquier inconveniencia causada. Cualquier Concesionario de Servicio Autorizado puede llevar a cabo reparaciones bajo la garantía. La mayoría de las reparaciones bajo la garantía son manejadas normalmente, pero algunas veces la solicitud del servicio de garantía es posible que no sea apropiada. Por ejemplo, la garantía no será válida si el daño al equipo ocurrió debido al mal uso, falta de mantenimiento adecuado, manejo, envío, almacenamiento o una instalación inadecuada. Similarmente, la garantía es anulada si el número de serial del equipo ha sido removido o el equipo ha sido alterado o modificado.

Si un cliente no está de acuerdo con la decisión hecha por el Concesionario de Servicio, se llevará a cabo una investigación para determinar si la garantía se puede aplicar. Pida al Concesionario de Servicio que entregue todos los hechos que soportan su decisión a su Distribuidor, para que éste los revise. Si el Distribuidor decide que el reclamo es justificado, al cliente se le reembolsará completamente por todos esos artículos que están defectuosos. Para evitar un malentendido que pueda ocurrir entre el Concesionario y el cliente, abajo aparecen algunos de las razones por las cuales el equipo puede fallar, y que la garantía no cubre:

Desgaste normal:

Equipo eléctrico al aire libre, como todos los aparatos mecánicos, necesita partes, servicio y reemplazo, periódicamente, para que funcione bien. Esta garantía no cubre la reparación cuando el uso normal ha acabado con la vida de una parte en particular o del equipo.

Instalación y mantenimiento:

Esta garantía no se aplica al equipo o parte que ha estado sujeta a una instalación inadecuada, que no haya sido autorizada o a cualquier tipo de alteración, el mal uso, negligencia, sobrecarga, velocidad excesiva, mantenimiento inadecuado, reparación o almacenamiento, que según la opinión de los Productos Portátiles Generac, han afectado desfavorablemente su rendimiento y fiabilidad. Esta garantía también no cubre el mantenimiento normal tales como ajustes, limpieza del sistema de combustión y la obstrucción (debido a materias químicas, suciedad, carbón o cal, etc.)

Otras exclusiones:

También se encuentran excluidos de esta garantía, el desgaste de los artículos tales como, conectores, medidores de aceite, correas, anillos O, filtros, empaque de la bomba, etc. las bombas que se hagan funcionar o trabajar sin agua, o daños y malfuncionamientos que resulten de accidentes, abusos, modificaciones, alteraciones, un servicio inadecuado, congelamiento o deterioro químico.

La garantía se encuentra disponible solamente a través de los concesionarios de servicios autorizados por los Productos Portátiles Generac. Esta garantía no se aplica al servicio proveniente de cualquier otra entidad.

Usted puede ubicar su Concesionario de Servicio Autorizado de los Productos Portátiles de Generac más cercano, en nuestro mapa localizador de concesionarios en www.generac-portables.com o llame al 1-877-544-0982.

Los Productos Portátiles de Generac están fabricados bajo una o más de las siguientes patentes: (Otras patentes están pendientes)

5902094

5823752

5718255

5890413

Generac Portable Products, LLC
Jefferson, Wisconsin U.S.A.

LIMITED WARRANTY

GENERAC PORTABLE PRODUCTS OWNER WARRANTY POLICY Effective October 1, 2001

LIMITED WARRANTY

"Generac Portable Products, LLC will repair or replace, free of charge, any part, or parts of the equipment that are defective in material or workmanship or both. Transportation charges on parts submitted for repair or replacement under this Warranty must be borne by purchaser. This warranty is effective for the time periods and subject to the conditions provided for in this policy. For warranty service, find the nearest Authorized Service Dealer in our dealer locator map at www.generac-portables.com or call 1-877-544-0982. THERE IS NO OTHER EXPRESS WARRANTY. IMPLIED WARRANTIES, INCLUDING THOSE OF MERCHANTABILITY AND FITNESS FOR A PARTICULAR PURPOSE, ARE LIMITED TO THE TIME PERIOD SPECIFIED, OR TO THE EXTENT PERMITTED BY LAW ANY AND ALL IMPLIED WARRANTIES ARE EXCLUDED. LIABILITY FOR CONSEQUENTIAL DAMAGES UNDER ANY AND ALL WARRANTIES ARE EXCLUDED TO THE EXTENT EXCLUSION IS PERMITTED BY LAW. Some states do not allow limitations on how long an implied warranty lasts, and some states do not allow the exclusion or limitation of incidental or consequential damages, so the above limitation and exclusion may not apply to you. This warranty gives you specific legal rights and you may also have other rights which vary from state to state and country to country."

WARRANTY PERIOD*

PRODUCTS**	CONSUMER USE	COMMERCIAL USE	FACTORY RECONDITIONED UNITS
Portable Generator (Side Valve Engine Powered)	1 year	90 days	90 days
Portable Generator (Overhead Valve Engine Powered)	2 years (2nd year parts only)	1 year	90 days
Electric Powered Pressure Washer	1 year	None	None
Gasoline Powered Pressure Washer	1 year	90 days	90 days

* The warranty period begins on the date of purchase by the first retail consumer or commercial end user, and continues for the period of time stated in the table above. "Consumer use" means personal residential household use by a retail consumer. "Commercial use" means all other uses, including use for commercial, income producing or rental purposes. Once equipment has been used commercially, it shall thereafter be considered to be in commercial use for purposes of this warranty. Used equipment, demonstration equipment and equipment used for prime power in place of a utility are not warranted. Accessory parts such as guns, hoses, wands and nozzles are excluded from the product warranty.

** The gasoline engine and starting batteries are warranted solely by the manufacturers of those products.

WARRANTY REGISTRATION IS NOT NECESSARY TO OBTAIN WARRANTY ON GENERAC PORTABLE PRODUCTS EQUIPMENT. SAVE YOUR PROOF OF PURCHASE RECEIPT. IF YOU DO NOT PROVIDE PROOF OF THE INITIAL PURCHASE DATE AT THE TIME WARRANTY SERVICE IS REQUESTED, THE MANUFACTURING DATE OF THE EQUIPMENT WILL BE USED TO DETERMINE THE WARRANTY PERIOD.

About your equipment warranty:

Generac Portable Products welcomes warranty repair and apologizes to you for being inconvenienced. Any Authorized Service Dealer may perform warranty repairs. Most warranty repairs are handled routinely, but sometimes requests for warranty service may not be appropriate. For example, warranty would not apply if equipment damage occurred because of misuse, lack of routine maintenance, shipping, handling, warehousing or improper installation. Similarly, warranty is void if the serial number of the equipment has been removed or the equipment has been altered or modified. If a customer differs with the decision of the Service Dealer, an investigation will be made to determine whether the warranty applies. Ask the Service Dealer to submit all supporting facts to its Distributor for review. If the Distributor decides that the claim is justified, the customer will be fully reimbursed for those items that are defective. To avoid misunderstandings that might occur between the customer and the Dealer, listed below are some of the causes of equipment failure that the warranty does not cover:

Normal wear:

Outdoor Power Equipment, like all mechanical devices, needs periodic parts, service and replacement to perform well. This warranty does not cover repair when normal use has exhausted the life of a part or the equipment.

Installation and Maintenance:

This warranty does not apply to equipment or parts that have been subjected to improper or unauthorized installation or alteration, misuse, negligence, accident, overloading, overspeeding, improper maintenance, repair or storage so as, in Generac Portable Products' judgment, to adversely affect its performance and reliability. This warranty also does not cover normal maintenance such as adjustments, fuel system cleaning and obstruction (due to chemical, dirt, carbon or lime, etc.).

Other Exclusions:

Also excluded from this warranty are wear items such as quick couplers, oil gauges, belts, o-rings, filters, pump packing, etc., pumps which have been run without water supplied or damage or malfunctions resulting from accidents, abuse, modifications, alterations, or improper servicing or freezing or chemical deterioration.

Warranty is available only through service dealers authorized by Generac Portable Products. This warranty does not apply to service by any other entity.

You may locate your nearest Authorized Generac Portable Product Service Dealer in our dealer locator map at www.generac-portables.com or call 1-877-544-0982.

Generac Portable Products Are Made Under One Or More Of The Following Patents: (Other Patents Pending)
5902094 5823752 5718255 5890413

Generac Portable Products, LLC
Jefferson, Wisconsin U.S.A.