

WEED EATER

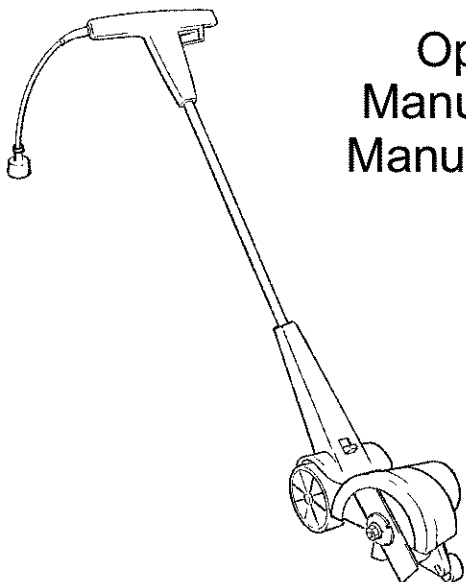
® Trademark

ENGLISH



Please do not return unit to retailer.
Por favor, no devuelva el aparato al lugar de compra.
Veuillez ne pas retourner l'outil au détaillant.

1-800-554-6723
www.weedeater.com



Operator's Manual Manual del Operador Manuel de l'utilisateur

PE225™



ESPAÑOL



DANGER:

Read and follow all Safety Rules and Operating Instructions before using this product. Failure to do so can result in serious injury.

PELIGRO:

Lea el manual del operador y siga todas las advertencias e instrucciones de seguridad. El no hacerlo puede resultar en lesiones graves.

DANGER:

Lire le manuel de l'utilisateur et bien respecter tous les avertissements et toutes les instructions de sécurité. Tout défaut de le faire pourrait entraîner des blessures graves.

FRANÇAIS

Frigidaire Home Products, Augusta, GA 30907
WCI Outdoor Products, Inc.

530087456 02/04/98

SAFETY RULES

WARNING: When using electric edgers, basic safety precautions should always be followed to reduce the risk of fire, electric shock, and personal injury. Read all instructions and safety information throughout this manual.

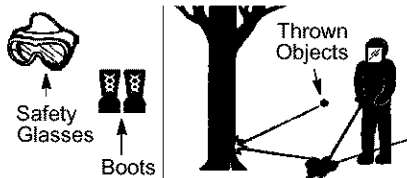
DANGER: THIS POWER TOOL CAN BE DANGEROUS! This unit can cause serious injury including amputation or blindness to operator and others. The warnings and safety instructions in this manual must be followed to provide reasonable safety and efficiency in using this unit. The operator is responsible for following warnings and instructions in this manual and on unit. Read entire Operator's Manual before assembling and using this unit! Restrict use of this power tool to persons who read, understand, and follow warnings and instructions in this manual and on the unit.



Safety Labels on unit

OPERATOR SAFETY

- Dress properly. Always wear safety glasses or similar eye protection when operating, or performing maintenance on your unit. (Safety glasses are available.) Always wear face or dust mask if operation is dusty. Always wear heavy, long pants, long sleeves, boots, and gloves. Do not go barefoot or wear sandals.



- Secure hair above shoulder length. Secure or remove loose clothing and jewelry or clothing with loosely hanging ties, straps, tassels, etc. They can be caught in moving parts.
- Being fully covered also helps protect you from debris and pieces of toxic plants thrown by the blade.
- Stay alert. Do not operate unit when you are tired, ill, or under influence of alcohol, drugs, or medication. Watch what you are doing; use common sense.
- Avoid unintentional starting of the unit. Never carry the unit with your finger on the switch. Be sure the

switch is not in the on position when connecting the extension cord.

DANGER: RISK OF CUT. KEEP HANDS AND FEET AWAY FROM BLADE AND CUTTING AREA. Do not attempt to clear away cut material when the blade is in motion. Make sure switch is in the off position and the power source is disconnected when removing jammed material from the cutting blade. Do not grab or hold unit by the cutting blade.



CAUTION: Blade rotates momentarily after the switch is released.

ELECTRICAL SAFETY

- Use only a 120 A.C. voltage supply as shown on the nameplate of unit.
- Avoid dangerous situations. Do not use in the presence of flammable liquids or gases to avoid creating a fire or explosion and/or causing damage to unit.

WARNING: Avoid a dangerous environment. To reduce the risk of electrical shock, do not use in rain, in damp or wet locations, or around swimming pools, hot tubs, etc. Do not expose to snow, rain, or water to avoid the possibility of electrical shock.

WARNING: To reduce the risk of electrical shock, use extension cords specifically marked as suitable for outdoor appliances having an electrical rating not less than the rating of the unit. The cord must be marked with the suffix "W-A." Use a polarized cord. Make sure your extension cord is in good condition. Replace damaged cords. An undersized extension cord will cause a drop in line voltage resulting in loss of power and overheating. If in doubt, use the next heavier gauge. The smaller the gauge number the heavier the cord (NOTE: The chart in the Extension Cord section shows correct size to be used depending on cord length).

- Do not attempt to repair unit. Inspect insulation and connectors on unit and appliance cord before each use. If there is any damage, do not use until damage is repaired by an Authorized Service Dealer.

- Inspect extension cords before each use and replace if damaged.
- Don't abuse cord. Never carry unit by the cord or yank extension cord to disconnect unit.
- To reduce the possibility of the extension cord disconnecting from the unit during operation, tie the power cord on the unit to the extension cord as shown in the Extension Cord section. Insert cord socket on the unit into the extension cord receptacle.
- Do not use unit if the switch does not turn the unit on and off properly. Repairs to the switch must be made by an Authorized Service Dealer.
- Keep extension cord clear of operator, unit, and obstacles at all times. Do not expose the cord to heat, oil, water, or sharp edges.



- Avoid any body contact with any grounded conductor, such as metal pipes or wire fences, to avoid the possibility of electric shock.
- Ground Fault Circuit Interrupter (GFCI) protection should be provided on the circuit or outlet to be used for this unit. Receptacles are available having built-in GFCI protection and may be used for this measure of safety.
- To reduce the risk of electric shock, this unit has a polarized plug (one blade is wider than the other) and will require the use of a polarized extension cord. This plug will fit into a polarized extension cord only one way. If the plug does not fit fully into the extension cord, reverse the plug. If it still does not fit, obtain a correct polarized extension cord. A polarized extension cord will require the use of a polarized wall outlet. This plug will fit into the polarized wall outlet only one way. If the plug does not fit into the wall outlet, reverse the plug. If it still does not fit, contact a qualified electrician to install the proper wall outlet. Do not change the equipment plug, extension cord receptacle, or extension cord plug in any way.

UNIT SAFETY

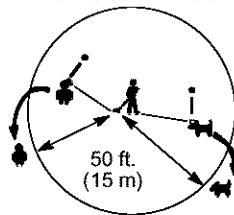
- Do not attempt to repair unit. Inspect entire unit and extension cord before

each use. Have damaged parts repaired or replaced by an Authorized Service Dealer. Make sure all fasteners, handles, and guards are in place and securely fastened. A guard or other part that is damaged should be properly repaired or replaced by an Authorized Service Dealer.

- Replace blades that are bent, warped, cracked, broken, or damaged in any other way.
- Before using your unit, have an Authorized Service Dealer repair or replace parts that are cracked, chipped, broken, or damaged in any other way.
- Use only genuine replacement blades and accessories as recommended for this unit. Never use wire, rope, string, etc. Use of any other accessory or attachment may increase the risk of injury or cause damage to the unit.
- Keep blade guard in place and in good working order.

EDGING SAFETY

- Inspect the area to be edged before each use. Remove objects (rocks, broken glass, nails, wire, string, etc.) which can be thrown by blade or can wrap around blade shaft.
- Keep children away. Keep others including children, animals, bystanders and helpers outside the 100 foot (30 meter) Hazard Zone. Stop the unit immediately if you are approached.



- Always keep unit in front of your body. Keep hands and feet away from cutting area.
- Hold the unit firmly with both hands.
- Do not overreach or use from unstable support. Keep firm footing and balance at all times.
- Keep wheels in contact with ground.
- Do not raise the unit above the ground. The blade can come dangerously close to your body.
- Always push unit slowly over ground. Stay alert for uneven sidewalks, holes in terrain, large roots, etc.
- Do not force the unit; it will do the job better and with less likelihood of a risk of injury at the rate for which it

was designed. Use the right appliance. Use only for jobs explained in this manual.

MAINTENANCE SAFETY

- Maintain unit with care. Maintain unit according to recommended procedures. Follow instructions for changing blades in the SERVICE AND ADJUSTMENTS section. Keep blade and blade guard clean to reduce the risk of injury.
- Never start unit with blade guard removed; blade can fly off or can throw objects and cause serious injury.
- Disconnect unit from the power source before performing maintenance or changing blades.
- Use only genuine Weed Eater replacement parts as recommended.
- Have all maintenance and service not explained in this manual performed by an Authorized Service Dealer.

- Never douse or squirt the unit with water or any other liquid. Clean the unit and labels with a damp sponge. Keep handles dry, clean, and free from oil and grease.

TRANSPORTING & STORAGE

- Transport unit with motor stopped and the blade away from your body.
- Do not grasp or hold exposed blade.
- Unplug unit before storing; secure unit when transporting it in a vehicle.
- Store unit so the blade cannot accidentally cause injury. The unit can be hung by the handle.
- Store unit indoors. Store unit unplugged in a high, dry place out of reach of children.

If situations occur which are not covered in this manual, use care and good judgment. If you need assistance, contact your nearest Authorized Service Dealer or call 1-800-554-6723. SAVE THESE INSTRUCTIONS

ASSEMBLY

CARTON CONTENTS

Edger
Screws
Locknuts
Operator's Manual

Examine parts for damage. Do not use damaged parts.

NOTE: If you need assistance or find parts missing or damaged, call 1-800-554-6723.

ASSEMBLY

WARNING: If received assembled, repeat all steps to ensure your unit is properly assembled and all fasteners are secure.

This Operator's Manual has been developed to help you assemble the unit and to provide its safe operation. It is important that you read the entire manual to become familiar with the unit *before* you begin assembly.

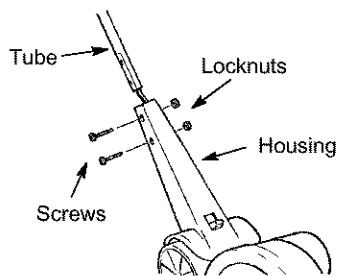
Read your Operator's Manual

Tools you will need:

- Phillips Screwdriver

TUBE ASSEMBLY

- Insert tube into housing as shown. Align the screw holes.
- Insert locknuts into the pockets in the housing.
- Insert screws through aligned holes.
- Thread screws into locknuts; tighten.



EXTENSION CORD

Use only a 120 A.C. voltage supply as shown on nameplate of the unit to power your edger.

The extension cord used to reach the power source must be:

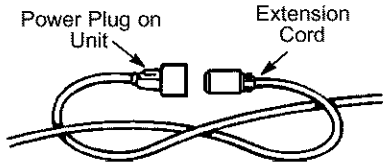
- Specifically marked as suitable for outdoor use. The cord must be marked with the suffix "W-A."
- Heavy enough to carry current from the power source the full length of the extension cord to the unit. Otherwise, loss of power and overheating can occur causing damage to unit. Refer to chart for minimum wire gauge recommendations. The cord must be marked with the proper wire gauge. (Appropriate extension cords are available.) Do not use multiple cords.
- In good condition. Cord insulation must be intact with no cracks or deterioration. Plug connectors must be undamaged.

MINIMUM WIRE GAUGE RECOMMENDATIONS				
VOLTS	25 FT.	50 FT.	100 FT.	150 FT.
120	16 A.W.G.*	16 A.W.G.*	14 A.W.G.*	12 A.W.G.*

*American Wire Gauge

Secure extension cord to unit:

- Tie the power plug on the unit to the extension cord as shown.
- Insert plug into cord socket.



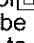
DOUBLE INSULATION CONSTRUCTION

This unit is Double Insulated to help protect against electric shock. Double insulation construction consists of two separate "layers" of electrical insulation instead of grounding.

Tools and appliances built with a double insulation system are not in-

tended to be grounded. No grounding means is provided on this unit, nor should a means of grounding be added to this unit. As a result, the extension cord used with your unit can be plugged into any standard 120 volt electrical outlet.

Safety precautions must be observed when operating any electrical tool. The double insulation system only provides added protection against injury resulting from an internal electrical insulation failure.

WARNING: All electrical repairs to this unit, including housing, switch, motor, etc., must be diagnosed and repaired by qualified service personnel. Replacement parts for a double insulated appliance must be identical to the parts they replace. A double insulated appliance is marked with the words DOUBLE INSULATION or DOUBLE INSULATED. The symbol  (square within a square) may also be marked on the appliance. Failure to have the unit repaired by an Authorized Service Dealer can cause the double insulation construction to become ineffective and result in serious injury.

OPERATION

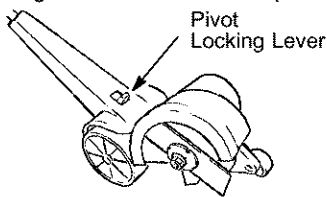
OPERATING INSTRUCTIONS

OPERATING POSITION

Your unit has two operating positions, one for edging, one for beveling.

To set operating position:

- Move pivot locking lever toward the handle. Pivot motor to the desired position. Release pivot locking lever, making sure motor locks into position.



EDGING METHODS

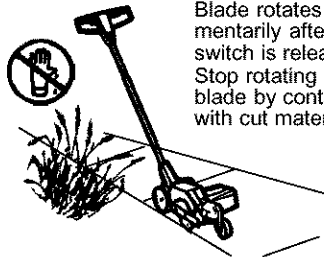
WARNING: The operator or others must not try to clear away cut material with the motor running or the blade turning to avoid serious injury.

WARNING: Stop motor and blade and disconnect unit from power source before removing materials wrapped around blade shaft to avoid injury.

- Allow the motor to reach full speed before entering the material to be

cut. The blade has maximum cutting power at full speed and is less likely to bind or stall.

- If blade does not turn when switch is activated, make sure it is not stuck or bound by debris.

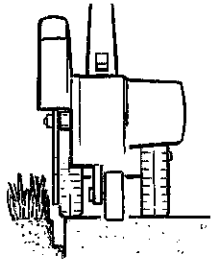


- Always release the switch and allow motor to stop when not cutting.
- To stop the motor, release the switch; allow blade to stop turning before removing it from the cut.

As you become familiar with your edger, you will be able to determine your own operating pace. Conditions such as depth of cut, angle of cut, and material being cut will regulate the speed and time required for your edging job.

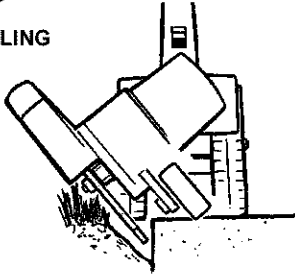
EDGING--yields precise, close cutting around sidewalks, driveways, patios, etc.

EDGING



BEVELING--provides a wider cut or trench around sidewalks, driveways, patios, etc. Beveling removes more material and therefore increases motor load. Be careful to cut slowly to avoid motor stalling or overload, which may damage the motor.

BEVELING



OPERATING TIPS

- Allow the blade to reach full speed before placing the blade in the cut. Be careful to cut slowly to avoid motor stalling or overload, which may damage the motor.
- Keep your edging path straight by keeping the edge guide in contact with the edge of the walkway.
- Always work going away from people and solid objects such as walls, large stones, trees, automobiles, etc.
- Be careful when edging near trees or valuable plants. The high speed metal blade may cut roots and cause damage to the plants.
- Always keep blade area clean. Stop the unit, make sure blade has completely stopped turning, and disconnect unit from the power source before cleaning.
- If blade stalls, immediately raise the blade from the cut by lowering the handle. If blade continues to stall when raised, stop the unit, disconnect the power source, and inspect the blade area for blockage or damage. Clean the blade area of debris.

MAINTENANCE

CUSTOMER RESPONSIBILITIES

CARE & MAINTENANCE TASK	WHEN TO PERFORM
Check for Loose fasteners and parts	Before each use
Check for damaged or worn parts	Before each use
Clean unit and labels	After each use

CHECK FOR LOOSE FASTENERS AND PARTS

- Blade
- Blade guard
- Housing Screws
- Handle Screws
- Wheels

CHECK FOR DAMAGED OR WORN PARTS

Refer replacement of damaged/worn parts to an Authorized Service Dealer.

- Trigger Switch - Ensure trigger switch functions properly by releasing the switch. Make sure motor stops and blade stops turning; then restart motor and continue.
- Blade Guard - Discontinue use of unit if blade guard is damaged.

CLEAN UNIT & LABELS

- Clean the unit using a damp cloth with a mild detergent.
- Wipe off unit with a clean dry cloth.

SERVICE AND ADJUSTMENTS

BLADE MAINTENANCE

WARNING: The blade will spin momentarily after the motor stops. Make sure blade has stopped turning and disconnect unit from the power source before performing work on the blade.

CAUTION: Wear protective gloves when handling or performing maintenance on blade to help avoid injury.

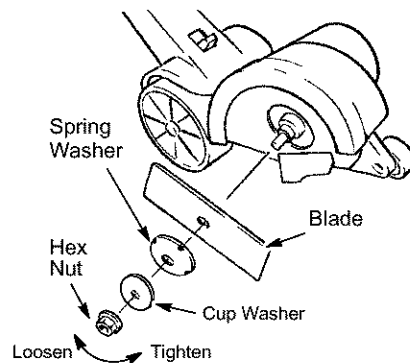
- Use the proper replacement blade. Contact your dealer for a replacement blade.
- The blade is reversible. When the cutting edge on one side becomes worn, turn the blade over.
- Check blade for flatness periodically. Lay the blade on a flat surface and inspect the blade for flatness. Throw away a blade that is not flat.

WARNING: Always replace a blade that is bent, warped, cracked, broken, or damaged in any other way. Never attempt to straighten and reuse a damaged blade. Use only the specified replacement blade.

To reverse or replace blade:

- Disconnect unit from power source.
- Fit a wrench onto the shaft behind the blade.

- Using another wrench, remove hex nut by turning clockwise.
- Remove cupped washer and spring washer.
- Remove the blade.
- Clean all parts and check for damage. Replace damaged parts.
- Reverse or replace blade. Reinstall blade onto shaft.
- Install the spring washer, making sure the outer, notched edge contacts the blade.
- Install the cup washer, making sure the lip of the washer is facing toward the spring washer.
- Install the hex nut by turning counter-clockwise; tighten securely.



STORAGE

Prepare unit for storage at the end of the season or if it will not be used for 30 days or more.

WARNING:

- Secure the unit before storing or transporting.
- Store unit with all guards in place. Position unit so that any sharp object cannot accidentally cause injury.
- Store unit well out of reach of children.

EDGER STORAGE

- Clean the entire unit.
- Inspect the blade area and clean any dirt, grass, leaves, or debris that has collected. Inspect the blade and blade guard; replace a blade that is bent, warped, cracked, broken, or damaged in any other way.

- Replace a damaged or worn blade guard.
- Lightly oil external metal surfaces.
- CAUTION:** Wear protective gloves when handling the blade. The blade is sharp and can cut you even when it is not moving.
- Apply a coating of oil to entire surface of blade; wrap it in heavy paper or cloth.
- Be sure all handles and guards are in place and are securely fastened. Replace any damaged parts.
- Check entire unit for loose screws, nuts, and bolts. Replace any damaged, worn, or broken parts.
- Do not cover with plastic. Plastic cannot breathe and will induce condensation and eventual rust or corrosion.

TROUBLESHOOTING CHART

SYMPTOM	CAUSE	REMEDY
Blade stops under a load or does not turn when switch is pressed.	<ul style="list-style-type: none"> • Forcing blade into material. • Blade guard clogged with debris. • Edge guide bent toward blade. • Unit unplugged. • Fuse blown/circuit breaker off. • Worn spring washer. • None of the above. 	<ul style="list-style-type: none"> • Cut at a slower pace. • Clean blade guard area. • Replace edge guide. • Plug unit into a 120 volt outlet. • Replace fuse/reset breaker. • Replace spring washer. • Contact your Service Dealer.
Blade turns but will not cut	<ul style="list-style-type: none"> • Incorrect or worn blade. • Worn spring washer. 	<ul style="list-style-type: none"> • Replace blade. • Replace spring washer.
Edger drags ground or cuts too deep.	<ul style="list-style-type: none"> • Wheel mount(s) broken. 	<ul style="list-style-type: none"> • Contact your Service Dealer.

LIMITED WARRANTY

FRIGIDAIRE HOME PRODUCTS, Division WCI Outdoor Products, Inc. warrants to the original purchaser that each new Weed Eater or Poulan Pro brand electric or cordless product is free from defects in material and workmanship and agrees to repair or replace under this warranty any defective Weed Eater or Poulan Pro brand electric or cordless product within two (2) years from the original date of purchase.

If your Weed Eater or Poulan Pro brand electric or cordless product should fail within the limited warranty period, return it, complete, prepaid, with proof of purchase, to the dealer from whom it was purchased for repair or replacement at the option of FRIGIDAIRE HOME PRODUCTS.

This warranty is not transferable and does not cover damage or liability caused by improper handling, improper maintenance or the use of accessories and/or attachments not specifically recommended by FRIGIDAIRE HOME PRODUCTS for this tool. Additionally, this warranty does not cover parts that will wear

and require replacement with reasonable use during the warranty period. This warranty does not cover pre-delivery setup or normal adjustments explained in the Operator's Manual.

THIS WARRANTY GIVES YOU SPECIFIC LEGAL RIGHTS, AND YOU MAY HAVE OTHER RIGHTS WHICH VARY FROM STATE TO STATE. NO CLAIMS FOR CONSEQUENTIAL OR OTHER DAMAGES WILL BE ALLOWED, AND THERE ARE NO OTHER EXPRESS WARRANTIES EXCEPT THOSE EXPRESSLY STIPULATED HEREIN.

SOME STATES DO NOT ALLOW LIMITATIONS ON HOW LONG AN IMPLIED WARRANTY LASTS OR THE EXCLUSION OR LIMITATIONS OF INCIDENTAL OR CONSEQUENTIAL DAMAGES, SO THE ABOVE LIMITATIONS OR EXCLUSION MAY NOT APPLY TO YOU.

FRIGIDAIRE HOME PRODUCTS policy is to continuously improve its products. Therefore, FRIGIDAIRE HOME PRODUCTS reserves the right to change, modify, or discontinue models, designs, specifications, and accessories of all products at any time without notice or obligation to any purchaser.