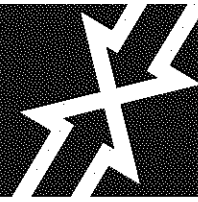


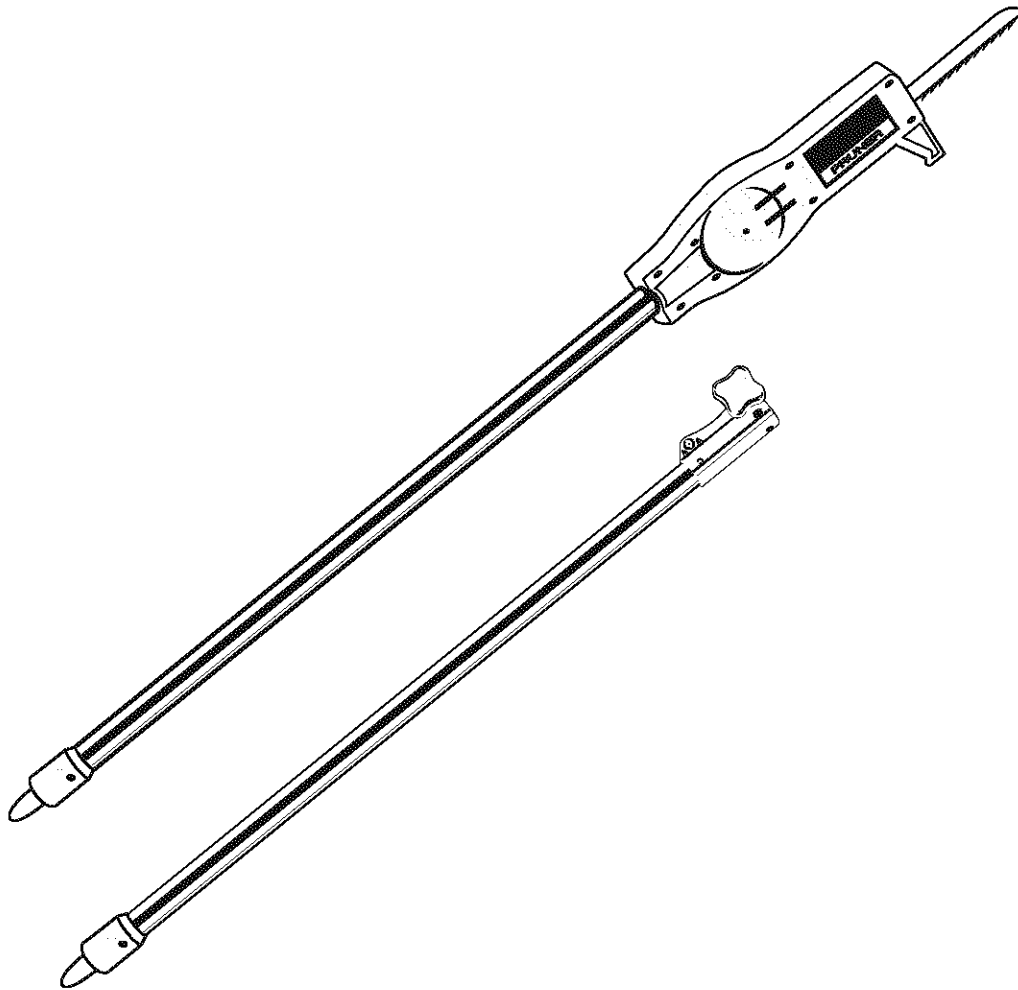
# TrimmerPlus®

*Tree Pruner*



*TP720r*

## ***OPERATOR'S MANUAL***



FOR QUESTIONS, CALL 1-800-345-8746 in U.S. or  
1-800-668-1238 in CANADA  
[www.TrimmerPlus.com](http://www.TrimmerPlus.com)

**IMPORTANT MANUAL**

**DO NOT THROW AWAY**

# INTRODUCTION

## THANK YOU

Thank you for buying this quality product. This modern outdoor power tool will provide many hours of useful service. You will find it to be a great labor-saving device. This operator's manual provides you with easy-to-understand operating instructions. Read the whole manual and follow all the instructions to keep your new outdoor power tool in top operating condition.

## PRODUCT REFERENCES, ILLUSTRATIONS AND SPECIFICATIONS

All information, illustrations and specifications in this manual are based on the latest product information available at the time of printing. We reserve the right to make changes at any time without notice.

Copyright ©2001 MTD SOUTHWEST INC  
All Rights Reserved.

TrimmerPlus® is a registered trademark of MTD SOUTHWEST INC

### SERVICE INFORMATION

Service on this unit both within and after the warranty period should be performed only by an authorized and approved service dealer.

Dial:

- **1-800-345-8746** in the United States

Or

- **1-800-668-1238** in Canada to obtain the listing of the authorized service dealer nearest you.

**DO NOT RETURN THE UNIT TO THE RETAILER.**

**NOTE: PROOF OF PURCHASE WILL BE REQUIRED FOR WARRANTY SERVICE.**

**Make sure this manual is carefully read and understood before starting or operating this equipment.**

THIS PRODUCT IS COVERED BY ONE OR MORE US PATENTS. OTHER PATENTS PENDING.

# TABLE OF CONTENTS

I. Rules for Safe Operation	3-5
A. Important Safety Information	3-4
B. Safety and International Symbols	4-5
C. Know Your Unit	5
II. Assembly Instructions	6
A. Installing The Blade	6
B. Installing And Adjusting The Shoulder Harness	6
III. Operating Instructions	7-9
A. Assembling the Coupler	7
B. Operating The Pruner	8
C. Pruning Tips	9
IV. Maintenance and Repair Instructions	10
A. Pruner Blade Replacement	10
B. Cleaning	10
C. Storage	10
D. Accessories/Replacement Parts	10
V. Specifications	11
VI. Warranty	12

## CONTENTS OF CARTON

This unit should consist of the following:

- TP720r Tree Pruner Add-On
- Blade & Blade Cover
- Blade Clamp Screw and Lock Washer
- Boom Extension
- Hanger
- 9/64" Allen Wrench
- Shoulder Harness
- Operator's Manual
- Product Registration Card

**NOTE:** This product has been rated for use on both gas and electric powerheads.

# WARNING!

**Read the Operator's Manual(s) and follow all warnings and safety instructions. Failure to do so can result in serious injury to the operator and/or bystanders.**

# RULES FOR SAFE OPERATION

The purpose of safety symbols is to attract your attention to possible dangers. The safety symbols, and their explanations, deserve your careful attention and understanding. The safety warnings do not by themselves eliminate any danger. The instructions or warnings they give are not substitutes for proper accident prevention measures.

SYMBOL	MEANING
	<b>SAFETY ALERT SYMBOL:</b> Indicates danger, warning, or caution. Attention is required in order to avoid serious personal injury. May be used in conjunction with other symbols or pictographs.
<b>NOTE:</b> Advises you of information or instructions vital to the operation or maintenance of the equipment.	



**DANGER:** Failure to obey a safety warning will result in serious injury to yourself or to others. Always follow the safety precautions to reduce the risk of fire, electric shock, and personal injury.



**WARNING:** Failure to obey a safety warning can result in injury to yourself and others. Always follow the safety precautions to reduce the risk of fire, electric shock, and personal injury.



**CAUTION:** Failure to obey a safety warning may result in property damage or personal injury to yourself or to others. Always follow the safety precautions to reduce the risk of fire, electric shock, and personal injury.

# RULES FOR SAFE OPERATION

## • IMPORTANT SAFETY INFORMATION •

### READ ALL INSTRUCTIONS



**WARNING:** When using the unit, the safety rules must be followed. For your own safety and that of bystanders, please read these instructions before operating the unit. Please keep the instructions safe for later use.

### BEFORE OPERATING

- Carefully read and understand the operator's manual of the unit that powers this attachment.
- Read this operating instruction manual carefully. Be thoroughly familiar with the controls and the proper use of the equipment. Know how to stop the unit and disengage the controls quickly.
- Do not operate this unit when tired, ill, or under the influence of alcohol, drugs, or medication.
- Never allow children to operate the equipment. Never allow adults unfamiliar with the instructions to use the unit. Never allow adults to operate the equipment without proper instruction.
- All guards and safety attachments must be installed properly before operating the unit.
- Inspect the unit before use. Ensure the blade is installed correctly and secure.
- Keep bystanders, especially children and pets, at least 50 ft (15 m) away.

### SPECIAL SAFETY WARNINGS FOR GAS POWERHEADS AND TREE PRUNERS

**WARNING:** Gasoline is highly flammable, and its vapors can explode if ignited. Take the following precautions:

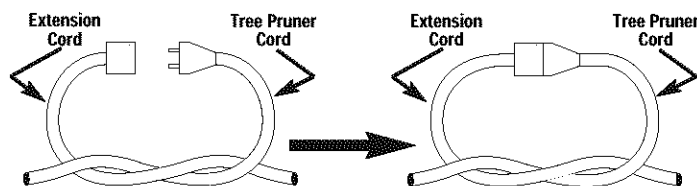
- Store fuel only in containers specifically designed and approved for the storage of such materials.
- Always stop the engine and allow it to cool before filling the fuel tank. Never remove the cap of the fuel tank, or add fuel, when the engine is hot. Never operate the unit without the fuel cap securely in place. Loosen the fuel tank cap slowly to relieve any pressure in the tank.
- Mix and add fuel in a clean, well-ventilated area outdoors where there are no sparks or flames. Slowly remove the fuel cap only after stopping engine. Do not smoke while fueling or mixing fuel. Wipe up any spilled fuel from the unit immediately.
- Avoid creating a source of ignition for spilled fuel. Do not start the engine until fuel vapors dissipate.
- Move the unit at least 30 feet (9.1 m) from the fueling source and site before starting the engine. Do not smoke. Keep sparks and open flames away from the area while adding fuel or operating the unit.
- Never start or run the unit inside a closed room or building. Breathing exhaust fumes can kill. Operate this unit only in a well ventilated area outdoors.

### SPECIAL SAFETY WARNINGS FOR ELECTRIC POWERHEADS AND TREE PRUNERS



**WARNING:** To reduce the risk of electrical shock, use only extension cords approved for outdoor use, such as an extension cord of cord type SW-A, SOW-A, STW-A, STOW-A, SJW-A, SJOW-A, SJTW-W or SJTOW-A. Extension cords are available from your local retailer. Use only round-jacketed extension cords approved for outdoor use.

- **CORD SETS:** Make sure your cord set is in good condition. When using a cord set, be sure to use a cord that is heavy enough to carry the current that your unit will draw. An undersized cord set will cause a drop in line voltage resulting in loss of power and overheating. See the operator's manual for the unit that will power this add-on for the recommended cord size.
- Inspect all extension cords and the unit power connection periodically. Look closely for deterioration, cuts or cracks in the insulation. Also inspect the connections for damage. Replace the cords if any defects or damage appear.
- Prevent disconnection of the tree pruner powerhead from extension cord during operation by using a plug-receptacle retaining strap, connector, or by making a knot as shown below:



- Avoid dangerous environments. Never operate your unit in damp or wet conditions. Moisture is a shock hazard.
- Do not use the unit in the rain. Do not use in or around water.
- Do not handle the plug or unit with wet hands or standing on any wet surfaces.
- Keep pruner away from power lines or electrical wires.
- Do not leave the unit plugged in when not in use, changing attachments or add-ons, or while being serviced.

### WHILE OPERATING

- Wear safety glasses or goggles that are marked as meeting ANSI Z87.1 standards, and ear/hearing protection when operating this unit. Wear a face or dust mask if the operation is dusty.
- Wear heavy, long pants, boots, gloves and a long sleeve shirt. Do not wear loose clothing, jewelry, short pants, sandals or go barefoot. Secure hair above shoulder level.
- Use the unit only in daylight or good artificial light.
- Do not force unit. It will do the job better and with less likelihood of injury at a rate for which it was designed.

# RULES FOR SAFE OPERATION

- To reduce the risk of electrical shock, keep the pruner from power lines or electrical wires.
- Use the right tool. Use this unit only as described in this manual. Do not use for any job except that for which is intended.
- Do not overreach. Always keep proper footing and balance.
- Always hold the unit with both hands when operating. Keep a firm grip on both the front and rear handle or grips.
- A coasting blade can cause injury while it continues to move after the unit is stopped. Maintain proper control of the unit until the blade has completely stopped moving.
- Keep hands, face, and feet at a distance from all moving parts. Do not attempt to touch or stop the blade when it is moving.
- Do not operate the unit faster than the speed needed to prune. Do not run the unit at high speed when not pruning.
- Always stop the unit when work is delayed or when walking from one cutting location to another.
- If you strike or become entangled with a foreign object, stop the engine immediately and check for damage. Have any damage repaired before attempting further operations. Do not operate unit with a bent, cracked or dull blade. Discard blades that are bent, warped, cracked or broken.
- Stop the unit IMMEDIATELY if you feel excessive vibration. Vibration is a sign of trouble. Inspect thoroughly for loose nuts, bolts or damage before continuing. Repair or replace affected parts as necessary.
- Stop and switch the unit to off for maintenance, repair, or for changing add-ons attachments.

- Use only genuine MTD replacement parts and accessories for this unit. These are available from your authorized service dealer. Use of any non-MTD parts or accessories could lead to serious injury to the user or damage to the unit, and void your warranty.

## OTHER SAFETY WARNINGS

- Allow the unit to cool before storing or transporting. Be sure to secure the unit while transporting.
- Store the unit inside in a dry place, either locked up or up high to prevent unauthorized use or damage. Keep out of the reach of children.
- Never douse or squirt the unit with water or any other liquid. Keep handles dry, clean and free from debris. Clean after each use, see **Cleaning and Storage instructions**.
- Keep these instructions. Refer to them often and use them to instruct other users. If you loan someone this unit, also loan them these instructions.
- Only qualified personnel should perform any repairs or maintenance procedures that are not described in this manual.
- Check shear bolts, engine mounting bolts and other bolts at frequent intervals for proper tightness to be sure the equipment is in safe working condition.
- Always refer to the Operator's Manual instructions for important details if the unit is to be stored for an extended period.
- Do not attempt to repair the machine unless you have the proper tools, and instructions for disassembly and repair of the machine.

## SAVE THESE INSTRUCTIONS

## SAFETY AND INTERNATIONAL SYMBOLS

This operator's manual describes safety and international symbols and pictographs that may appear on this product. Read the operator's manual for complete safety, assembly, operating and maintenance and repair information.

### SYMBOL

### MEANING



#### • SAFETY ALERT SYMBOL

Indicates danger, warning, or caution. May be used in conjunction with other symbols or pictographs.



#### • WARNING - READ OPERATOR'S MANUAL

Read the Operator's Manual(s) and follow all warnings and safety instructions. Failure to do so can result in serious injury to the operator and/or bystanders.



#### • WEAR EYE AND HEARING PROTECTION

**WARNING:** The operation of any power tool can be the source of thrown objects and loud noise which can cause severe eye injury and hearing loss. Always wear safety glasses or goggles eye protection meeting ANSI Z87.1 standards and ear protection when operating this unit. Use a full face shield when needed.

# RULES FOR SAFE OPERATION

## SYMBOL

## MEANING



### • KEEP BYSTANDERS AWAY

**WARNING:** Keep all bystanders, especially children and pets, at least 50 feet (15 m) from the operating area.



### • THROWN OBJECTS AND RECIPROCATING BLADE CAN CAUSE SEVERE INJURY

**WARNING:** Inspect the unit before use. Do not operate unit with a bent, cracked or dull blade. Keep away from the blade.



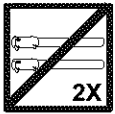
### • SHARP BLADE

**WARNING:** Sharp blade, do not touch. To prevent serious injury, always wear gloves when changing or handling the blade.



### • WEAR HEAD PROTECTION

**WARNING:** Falling objects can cause severe head injury. Wear head protection when operating this unit.



### • BOOM EXTENSIONS

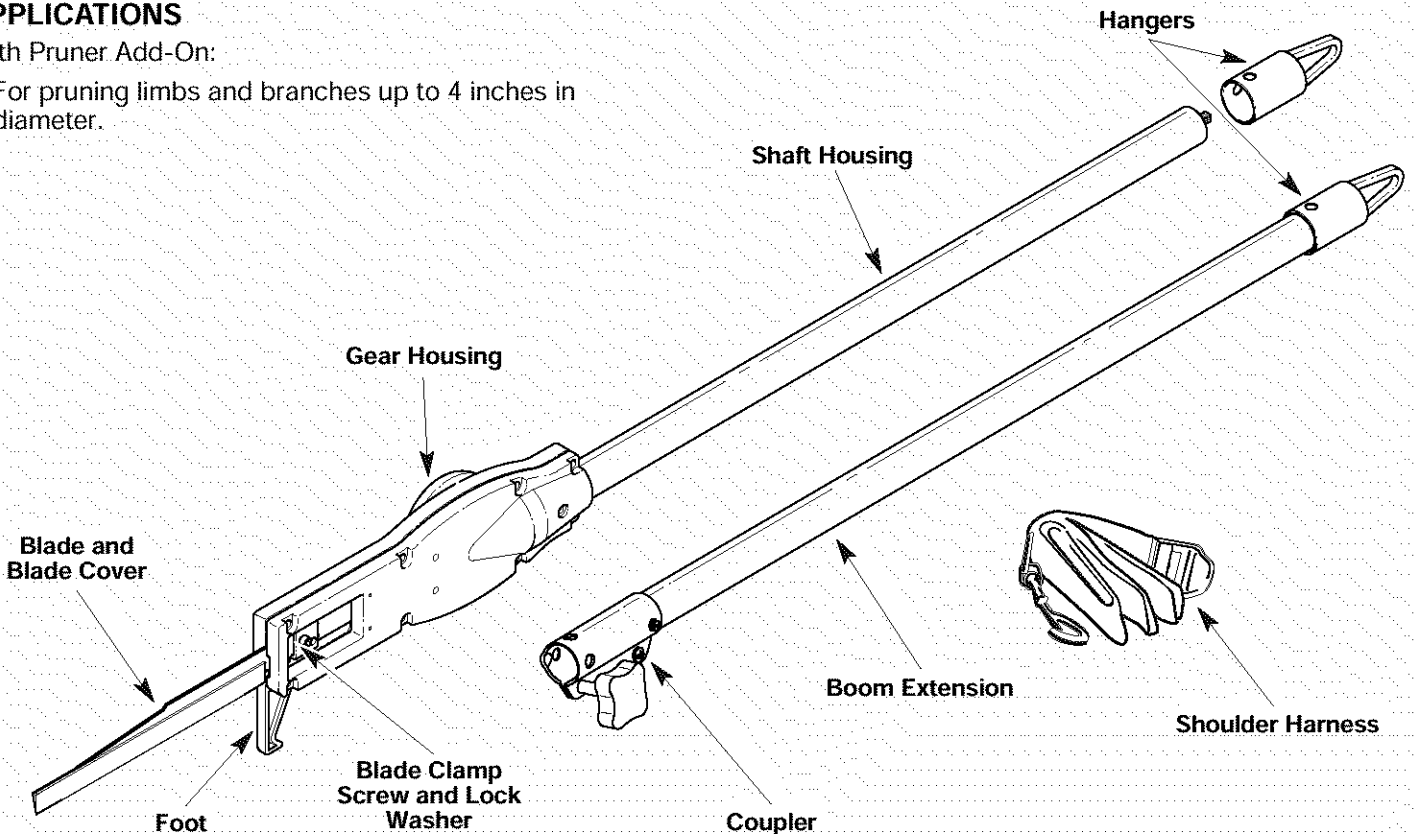
**WARNING:** To prevent serious injury, do not use more than one boom extension with the pruner attachment.

## KNOW YOUR UNIT

### APPLICATIONS

With Pruner Add-On:

- For pruning limbs and branches up to 4 inches in diameter.



# ASSEMBLY INSTRUCTIONS

## INSTALLING THE BLADE

1. Slide the blade cover past the end of the blade to expose the hole for the pin.
2. Insert the blade through the end of the pruner housing and install the blade over the pin (Fig. 1). The blade teeth should face the foot side.
3. Install the blade clamp over the blade and pin. Install the screw with lock washer and tighten securely with the allen wrench (Fig. 2).
4. Before operating unit, remove blade cover completely (Fig. 3). Store away for later use.

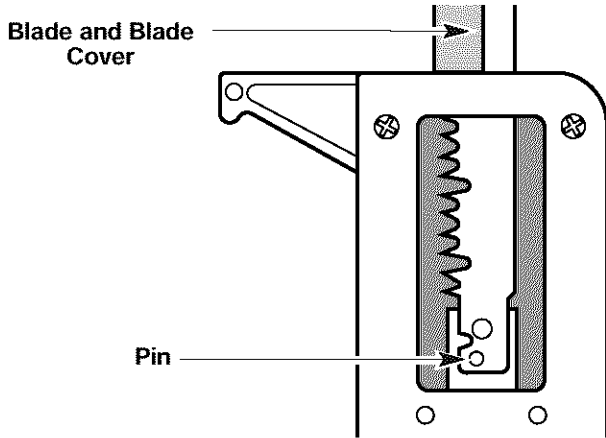


Fig. 1

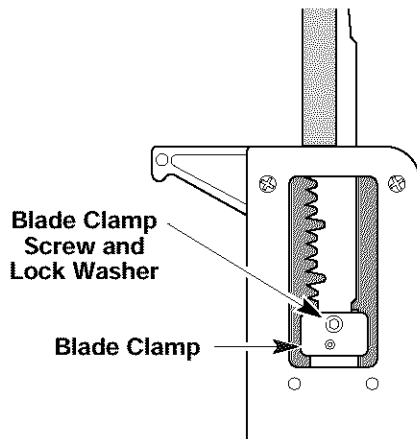


Fig. 2

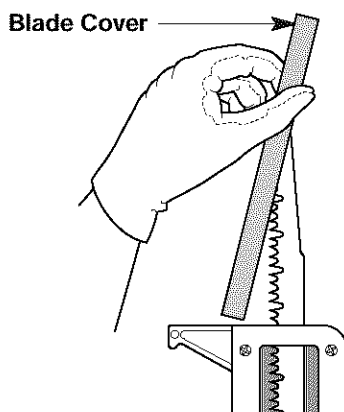


Fig. 3

## INSTALLING AND ADJUSTING THE SHOULDER HARNESS

1. Push the strap through the center of the buckle.
2. Pull the strap over the cross bar and down through the slot in the buckle (Fig. 4).
3. Snap it on to the support fitting (Fig. 5).
4. While standing in the operating position adjust length to fit the operator's size.
  - Lengthen the harness by pulling down on the strap and lifting the buckle end up (Fig. 6).
  - Shorten the harness by pulling the strap back through the buckle while holding the buckle (Fig. 6).

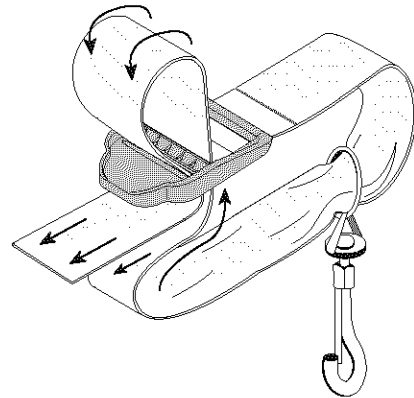


Fig. 4

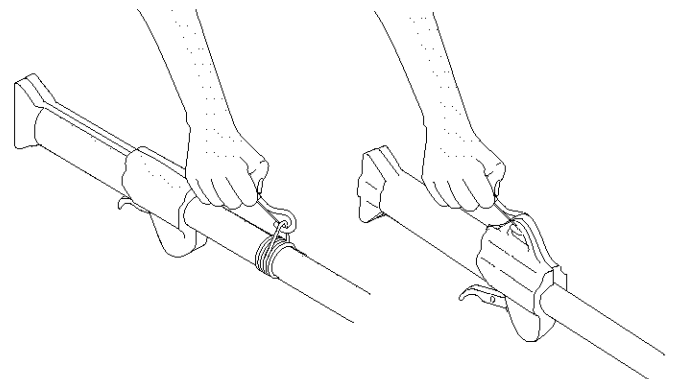


Fig. 5

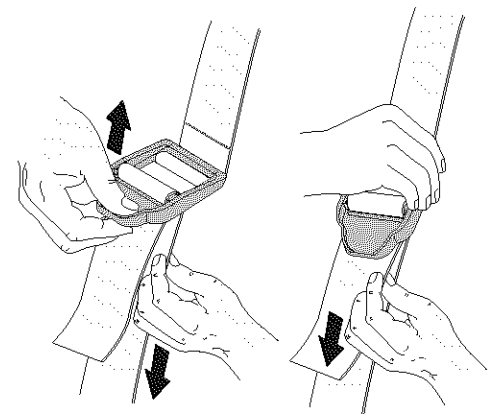


Fig. 6

# OPERATING INSTRUCTIONS

## ASSEMBLING THE COUPLER

The TrimmerPlus® system enables the use of these optional add-ons.

Blower/Vacuum .....	BV720r
Cultivator .....	GC720r
Hedge Trimmer .....	HS720r
Edger .....	LE720r
Sweeper/Blower .....	SB720r
Straight Shaft Trimmer .....	SS725r
Snow Thrower .....	ST720r
Turbo Blower .....	TB720r



**WARNING:** Read and understand operator's manual for add-on prior to operation.

### Removing the add-on:

1. Turn the knob counterclockwise to loosen (Fig. 7).
2. Press and hold the release button (Fig. 7).
3. While firmly holding the upper shaft housing, pull the tree pruner attachment out of the coupler (Fig. 8).

### Installing the add-on:



**WARNING:** To avoid serious personal injury and damage to the unit, shut unit off before removing or installing add-ons.

**NOTE:** To make installing or removing the add-on easier, place the unit on the ground or on a work bench.

1. Turn knob counterclockwise to loosen (Fig. 7).
2. While firmly holding the add-on, push it straight into the coupler (Fig. 8).

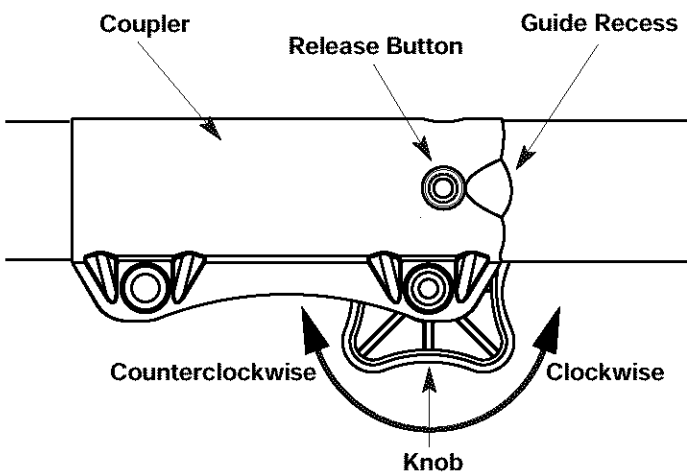


Fig. 7

**NOTE:** Aligning the release button with the guide recess will help installation (Fig. 7).

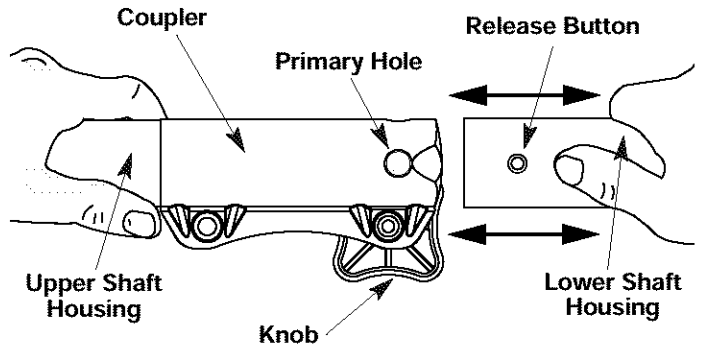


Fig. 8

3. Turn the knob clockwise to tighten (Fig. 9).



**CAUTION:** Lock the release button in the primary hole (Fig. 8) and securely tighten the knob before operating this unit.

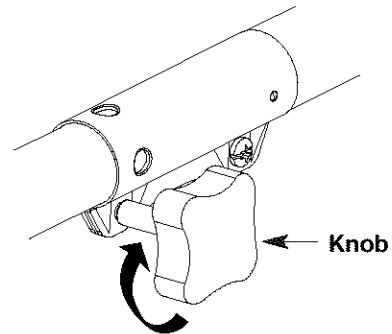


Fig. 9



**CAUTION:** The tree pruner attachment with the coupler system is to be used in the primary hole only. Using the wrong hole could lead to personal injury or damage to the unit.

### Installing the boom extension:

When using the boom extension, follow steps 1-3 under **Installing the Attachment or Add-ons**. Install the extension to the power head, then repeat the steps for installing the pruner attachment to the extension.

### Check Flex Shaft Engagement Prior to Using

1. Start the unit.
2. Briefly engage and release the trigger.
3. Check that add-on is operating.
4. If the add-on is not operating, remove add-on and repeat steps for installing the add-on.
5. Recheck operation of add-on attachment.

# OPERATING INSTRUCTIONS

## OPERATING THE PRUNER



**WARNING:** Always wear eye, hearing, foot and body protection to reduce the risk of injury when operating this unit.

Before operating the unit, stand in the operating position (Figs. 10 & 11). Check for the following:

- The operator is wearing a face shield, head protection and proper clothing.
- Harness is adjusted to proper position.
- The handle is adjusted to provide the best grip.
- The operator has a firm grip on both the throttle grip and handle.

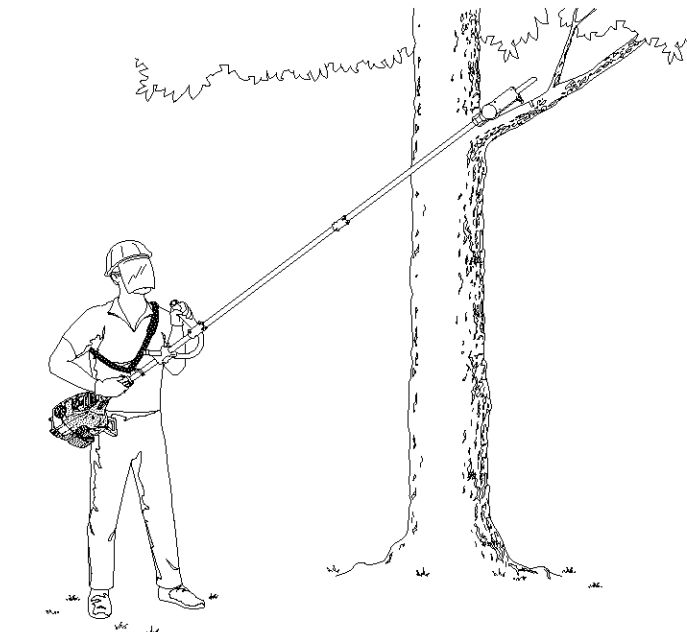


Fig. 10

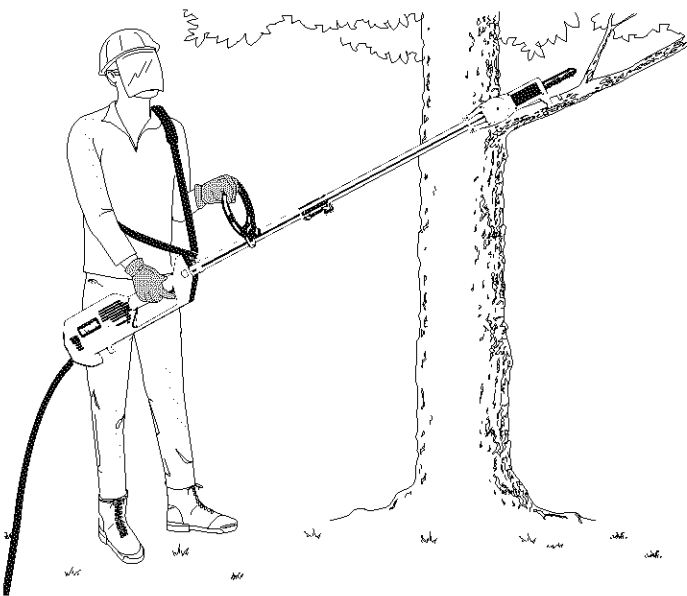


Fig. 11

1. When operating the pruner, rest the foot of the pruner against the tree limb that is being cut (Fig. 12).
2. Make the first cut one (1) foot (30.5 cm) from where the final cut will be (Fig. 13).
3. Cut to the outside of the branch collar to avoid damage to the tree (Fig. 14)

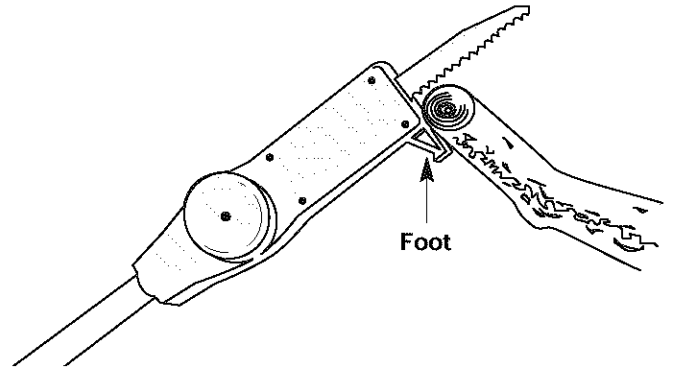


Fig. 12

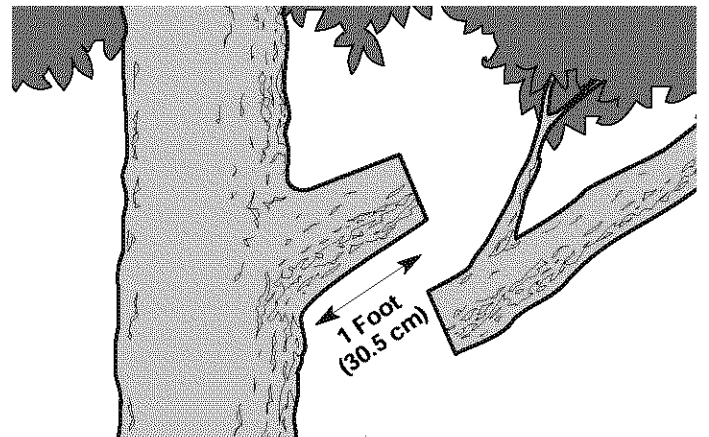


Fig. 13

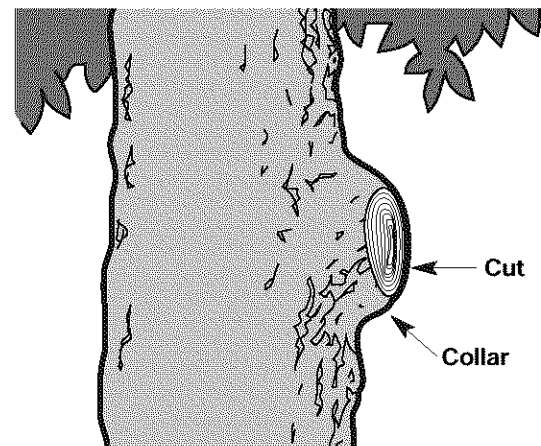


Fig. 14



# OPERATING INSTRUCTIONS

## PRUNING TIPS

### Why Prune?

Trees need to be trained. If they are not, they may grow into a tangled and potentially dangerous area of the yard. Pruning is useful for sizing, shaping, removing broken branches and maintaining the health of the tree.

### When to Prune?

Pruning can be done at any time during the year. But, the best time is during the dormant (winter) season.

### What to Look for?

Finding problem areas in a tree can be difficult. Look for and remove:

- Dead or dying branches. Cut them back to a healthy branch or trunk because they may carry insects or diseases.
- Branch stubs. These occur when a prior pruning was done incorrectly or if a branch broke off during a storm. Cut the stubs back to the closest healthy branch or trunk.
- Future growth. If a tree limb is growing towards a fence or building, remove it early. The older the tree, the longer it takes for cutting wounds to heal.

## How to Prune Correctly

- Don't cause damage to the trunk bark by cutting too close to the trunk.
- Cut the branch so that the wound is as small as possible.
- Don't leave a long branch stub. It can lead to rot or insect infestation.
- Use a sharp blade to make cuts that are clean and smooth.

# MAINTENANCE AND REPAIR INSTRUCTIONS

## PRUNER BLADE REPLACEMENT

**WARNING:** To avoid serious personal injury, always wear gloves while handling, removing or installing the blade.

**WARNING:** The pruner housing gets hot after long periods of use. To avoid serious personal injury, do not touch the housing until it has cooled.

### Replacing the Blade

Replace the blade if:

- it is missing teeth, dull, bent or damaged.
  - you are required to force the moving blade through wood.
  - the engine slows excessively while cutting.
  - every one (1) hour (accumulative) of actual cutting time.
1. Install the blade cover on the blade.
  2. Remove the blade clamp screw, lock washer and blade clamp (Fig. 15).
  3. Reinstall the blade following the steps under Installing the Blade in the assembly section.

### Cleaning the Blade

- Clean the blade after each use to remove pitch, gum, sap, etc.
- Clean the blade with commercially available saw blade cleaners. Available at your local hardware store.
- Discard the blade if it is missing teeth, dull, bent or damaged in any way.
- Always install the blade cover on the blade when not in use.

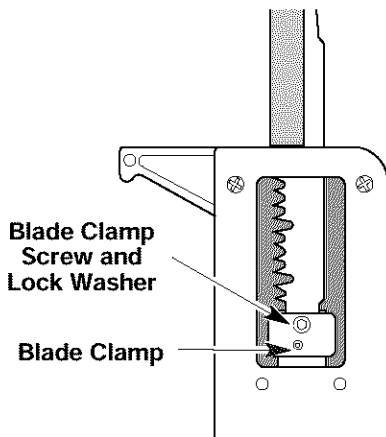


Fig. 15

## PRUNER GEAR HOUSING

All internal parts are lubricated at the factory and require no maintenance. Do not disassemble the pruner. Contact an authorized service dealer for any internal repairs.

## CLEANING

Use a small brush to clean off the outside of the unit. Do not use strong detergents. Household cleaners that contain aromatic oils such as pine and lemon, and solvents such as kerosene, can damage plastic housing or handle. Wipe off any moisture with a soft cloth.

## STORAGE

- Store the unit inside in a dry place, either locked up or up high to prevent unauthorized use or damage. Keep out of the reach of children.

## ACCESSORIES/REPLACEMENT PARTS

Blade (2 pack)	.....791-180966B
Blade Clamp	.....791-181155
Blade Clamp Screw and Lock Washer	....791-181156

Use only original MTD replacement parts.

# SPECIFICATIONS

## TREE PRUNER ADD-ON

Unit Weight (Without Boom Extension) .....	3 lbs. (1.36 kg.)
Unit Weight (Boom Extension) .....	1.5 lbs. (0.68 kg.)
Unit Length (Without Boom Extension and Blade) .....	33 inches (0.84 m)
Length of Boom Extension .....	26 inches (0.66 m)
Blade Length (Maximum cut diameter) .....	4 inches (10.16 cm)
Strokes per Minute .....	Up to 2000
Shoulder Harness .....	Quick Snap

## MANUFACTURER'S LIMITED WARRANTY FOR:

# **TrimmerPlus**<sup>®</sup>

The limited warranty set forth below is given by MTD SOUTHWEST INC ("MTD") with respect with new merchandise purchased and used in the United States, its possessions and territories.

MTD warrants this product against defects in material and workmanship for a period of two (2) years commencing on the date of original purchase and will, at its option, repair or replace, free of charge, any part found to be defective in material or workmanship. This limited warranty shall only apply if this product has been operated and maintained in accordance with the Operator's Manual furnished with the product, and has not been subject to misuse, abuse, commercial use, neglect, accident, improper maintenance, alteration, vandalism, theft, fire, water, or damage because of other peril or natural disaster. Damage resulting from the installation or use of any accessory or attachment not approved by MTD for use with the product(s) covered by this manual will void your warranty as to any resulting damage.

This warranty is limited to ninety (90) days from the date of original retail purchase for any MTD product that is used for rental or commercial purposes, or any other income-producing purpose.

**HOW TO OBTAIN SERVICE:** Warranty service is available, WITH PROOF OF PURCHASE THROUGH YOUR LOCAL AUTHORIZED SERVICE DEALER. To locate the dealer in your area, please check for a listing in the Yellow Pages or contact the Customer Service Department of MTD SOUTHWEST INC by calling 1-800-345-8746 or writing to 550 N. 54th Street, Chandler, Arizona 85226 or if in Canada call 1-800-668-1238. No product returned directly to the factory will be accepted unless prior written permission has been extended by the Customer Service Department of MTD SOUTHWEST INC.

**This limited warranty does not provide coverage in the following cases:**

- A. Wear items - Blade
- B. MTD does not extend any warranty for products sold or exported outside of the United States of America, its possessions and territories, except those sold through MTD's authorized channels of export distribution

MTD reserves the right to change or improve the design of any TrimmerPlus<sup>®</sup> Product without assuming any obligation to modify any product previously manufactured.

**No implied warranty, including any implied warranty of merchantability or fitness for a particular purpose, applies after the applicable period of express written warranty above as to the parts as identified. No other express warranty or guaranty, whether written or oral, except as mentioned above, given by any person or entity, including a dealer or retailer, with respect to any product shall bind MTD. During the period of the Warranty, the exclusive remedy is repair or replacement of the product as set forth above.** (Some states do not allow limitations on how long an implied warranty lasts, so the above limitation may not apply to you.)

**The provisions as set forth in this Warranty provide the sole and exclusive remedy arising from the sales. MTD shall not be liable for incidental or consequential loss or damages including, without limitation, expenses incurred for substitute or replacement lawn care services, for transportation or for related expenses, or for rental expenses to temporarily replace a warranted product.** (Some states do not allow limitations on how long an implied warranty lasts, so the above limitation may not apply to you.)

In no event shall recovery of any kind be greater than the amount of the purchase price of the product sold. Alteration of the safety features of the product shall void this Warranty. You assume the risk and liability for loss, damage, or injury to you and your property and/or to others and their property arising out of the use or misuse or inability to use the product.

This limited warranty shall not extend to anyone other than the original purchaser, original lessee or the person for whom it was purchased as a gift.

**How State Law Relates to this Warranty:** This warranty gives you specific legal rights, and you may also have other rights which vary from state to state.

To locate your nearest service dealer dial 1-800-345-8746 in the United States or 1-800-668-1238 in Canada.

## **MTD SOUTHWEST INC**

550 N. 54th Street  
Chandler, AZ 85226 U.S.A.

**SAVE THESE INSTRUCTIONS FOR FUTURE REFERENCE.**

**FOR QUESTIONS CALL 1-800-345-8746 IN U.S.**

**OR 1-800-668-1238 IN CANADA**