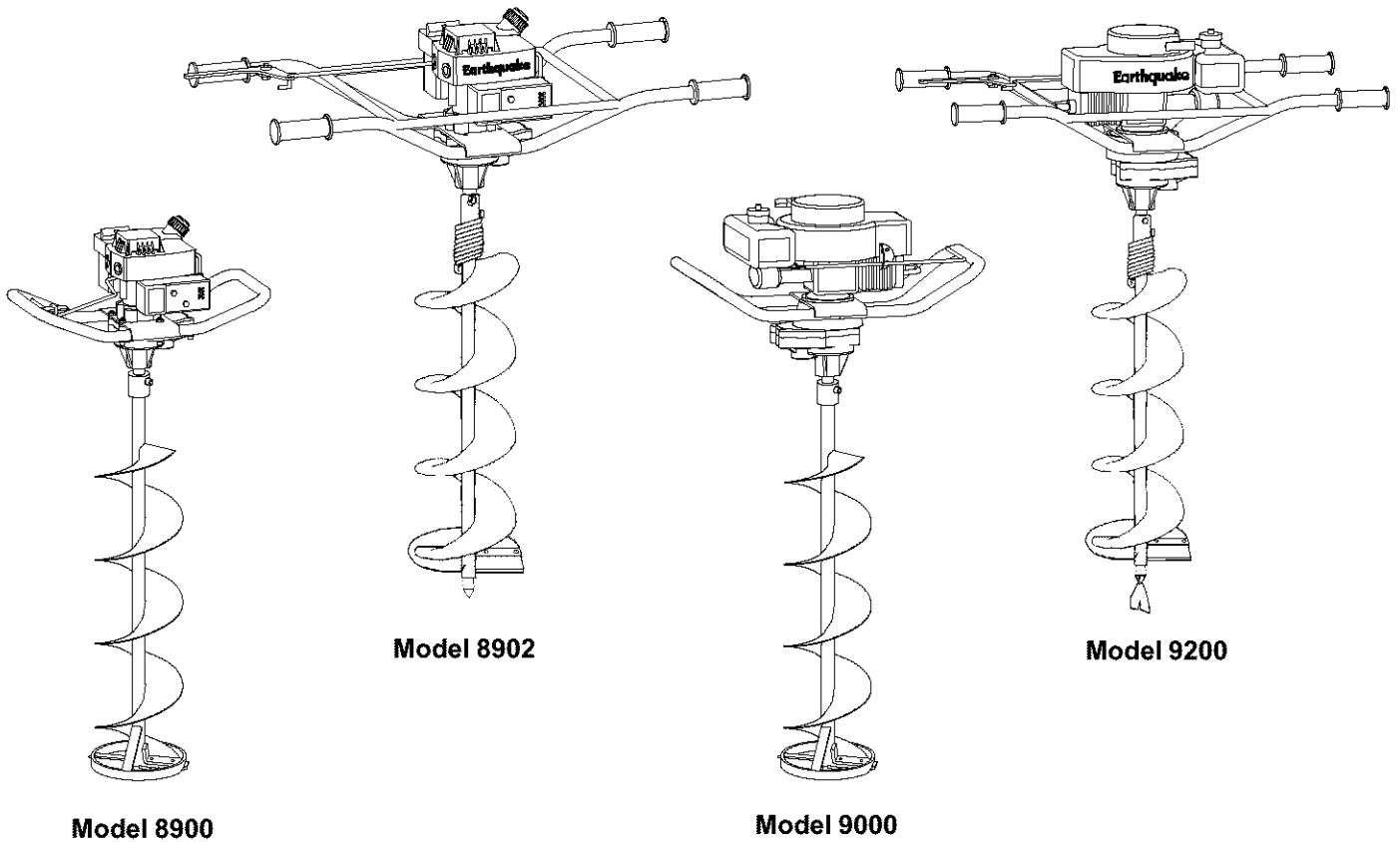


Earthquake®

Models 8900, 8902, 9000, 9200



Model 8902

Model 9200

Model 8900

Model 9000

Owner's Manual

Manufactured by



ARDISAM, INC.

1360 1st Avenue; P.O. Box 666
Cumberland, Wisconsin 54829
(715) 822-2415 Fax (715) 822-4180

1-800-3456-007

www.ardisam.com

CALIFORNIA PROPOSITION 65 WARNING

Engine exhaust from this product contains chemicals known to the State of California to cause cancer, birth defects, or other reproductive harm.



INTRODUCTION

Congratulations!

You have just purchased the best Power Earth Auger money can buy. Please read the following operating and safety instructions. By following these instructions, this unit will give you many years of dependable and carefree service.

*The Earthquake® Model 8900 Earth Auger feature a 2HP, 49cc Tecumseh (TC300) engine. The Earthquake® Model 9000 Earth Auger feature a 3HP, 85cc Tecumseh (AV520) engine. These units are designed for one-person use when drilling holes in ice and one or two person(s) use when used as an earth auger. All parts and workmanship of the gear case and auger are warranted by the manufacturer. A copy of this warranty is located on the back of this manual. The engine is covered by a separate engine manufacturer's warranty. The manual and warranty for each engine noted above is also enclosed. Please read the **GENERAL OPERATING INSTRUCTIONS** and **SAFETY PRECAUTIONS** noted below before operating this unit.*

GENERAL OPERATING INSTRUCTIONS

1. The gear case has 4 ounces of grease installed at the factory. It is recommended that once a year the gear case be split and the grease level checked. Add grease only if level of grease is below top of the gears. **DO NOT OVERFILL.**
2. Attach auger to powerhead with bolt provided.
3. Read engine operating manual and follow instructions for fuel type, starting, etc. **BE SURE TO USE PROPER GAS/OIL MIXTURE.**
4. The clutch will transfer maximum power after about two hours of normal operation. During this break-in period clutch slippage may occur. The clutch should be kept free of oil or other moisture for efficient operation. Each unit is tested at the factory, but is not operated for the full break-in period.
5. Dig holes without placing excessive body weight on the unit. The auger operates most efficiently with a shaving action caused by the weight of the unit itself.
6. **Do not use** an ice auger in earth or an earth auger in ice. You may use the same powerhead, but a different style auger is required for each application.
7. When digging in heavy soil, pump the unit with an up and down motion in the hole for every one foot of depth.
8. **Do not operate** unit in excessively rocky ground. The unit functions well in ground where the rocks do not exceed the size of a persons fist.
9. The ice auger blade protector should be attached to the auger head when not is use. This will protect the cutting edges of the ice auger blades.
10. For cold weather operation, store the unit in a cool environment. Transferring the unit from a warm to a cold place can cause the buildup of harmful condensation.

SAFETY PRECAUTIONS



This symbol points out important safety instructions which if not followed could endanger your personal safety. Read and follow all instructions in this manual and any others provided with this equipment.



Ice blades are very sharp. Use extreme caution when drilling a hole or replacing the blades.



Do not allow children to operate this power auger. Make sure all first time users have been properly instructed.



Do not carry the powerhead/auger between holes with the engine running.



Keep all screws, nuts and bolts tight.



The auger should not rotate when the engine is idling. If it does rotate when engine is idling contact the place of purchase for instructions.



Close gas tank cap air vent when engine is stopped.



Always keep hands and feet clear of rotating auger. Do not wear loose clothing while operating the power auger.



Do not tilt gas tank indoors or when engine is running or is hot.

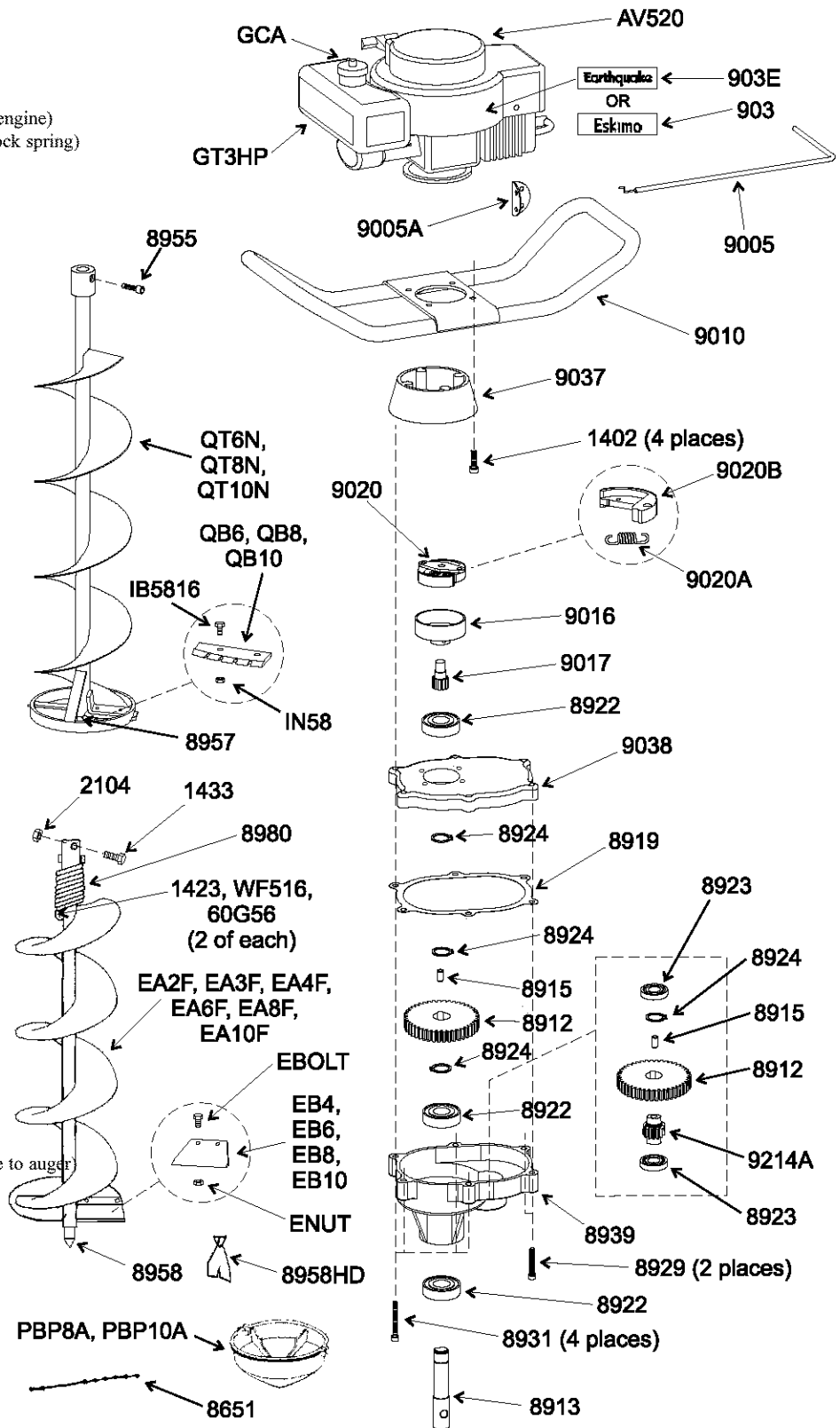


Engine should be shut off before any repairs are attempted.

ESKIMO/EARTHQUAKE MODEL 9000

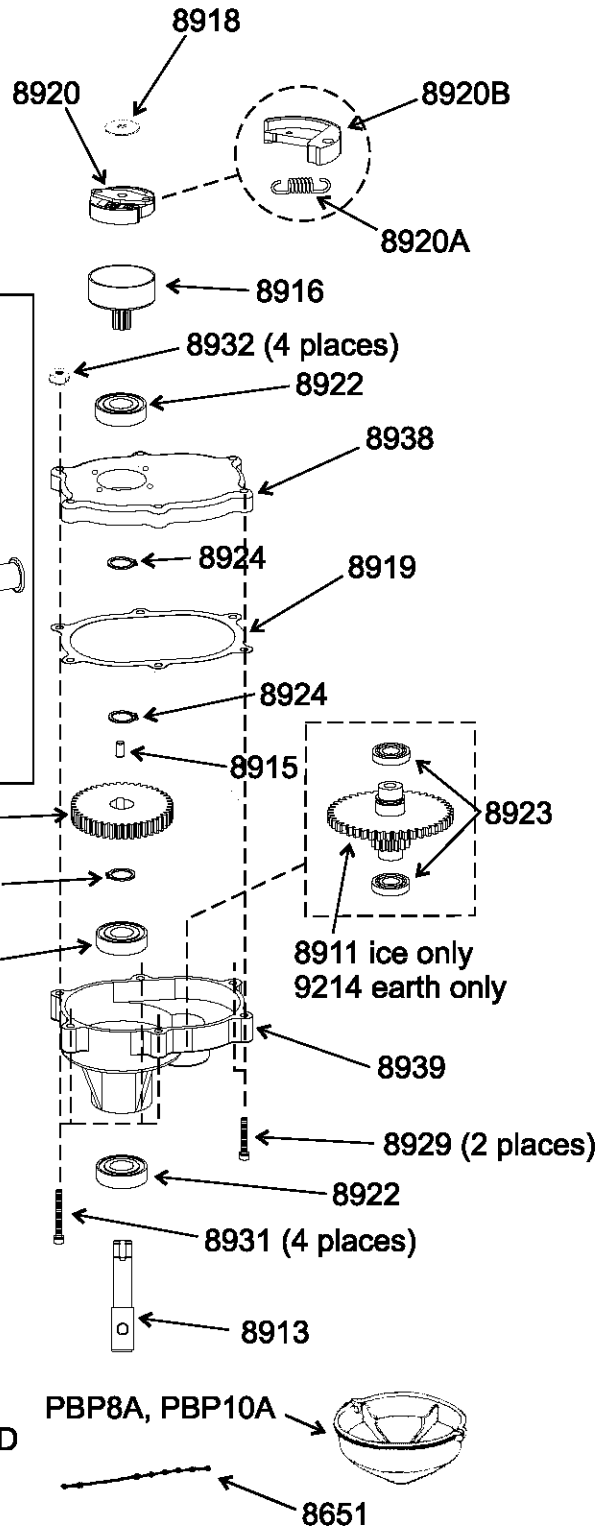
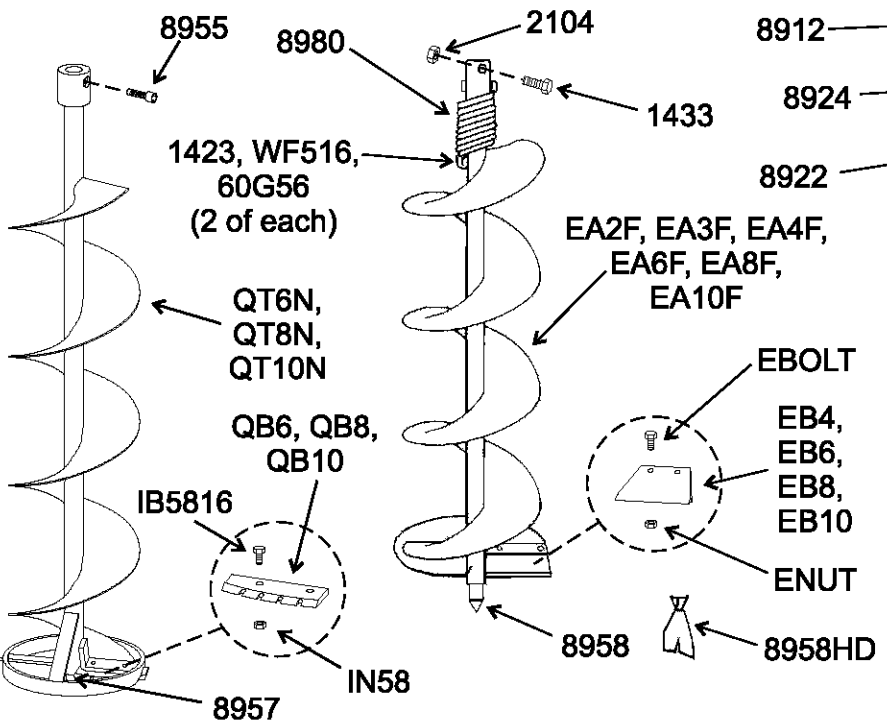
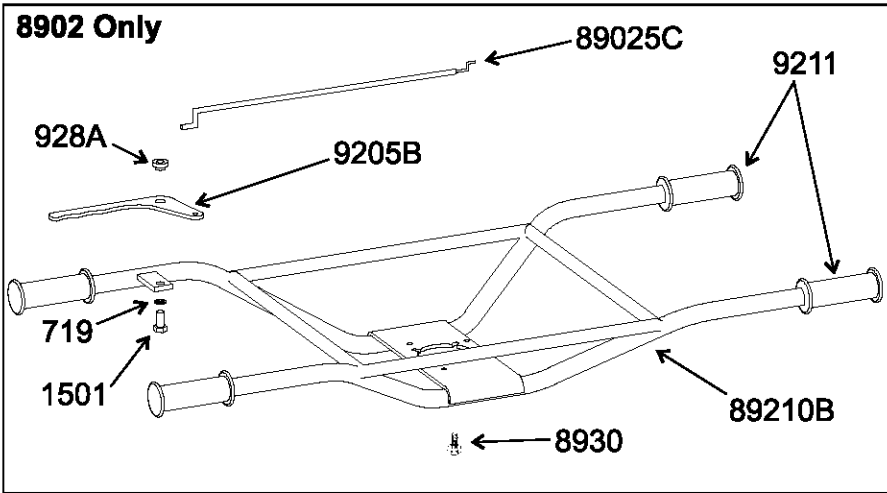
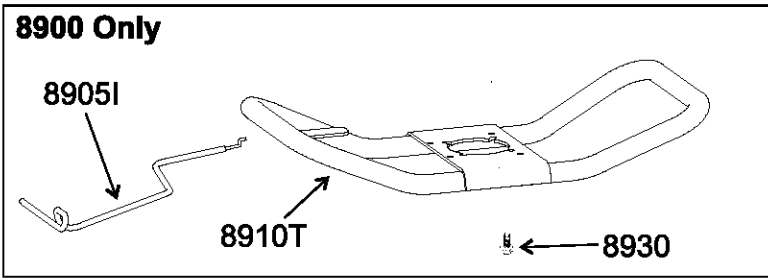
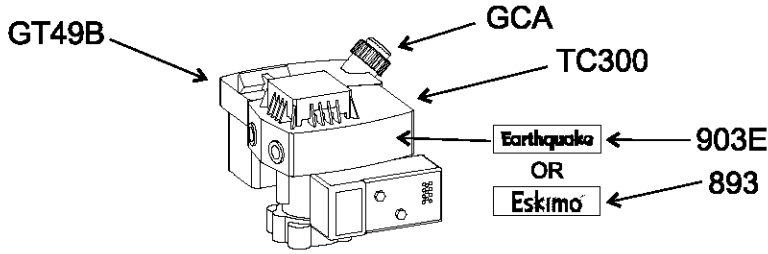


Part #	Description
60G56	NUT-Hex, 5/16"-18, two way reversible locknut
903	DECAL, Eskimo
903E	DECAL, Earthquake
1402	BOLT-SHCS, 5/16"-18 x 1-1/4", (mount ring to engine)
1423	BOLT-HHCS, 5/16"-18 x 2", Grade 5, (auger shock spring)
1433	BOLT-Hex Hd, 3/8"-16 x 1-1/2", (earth auger to powerhead)
2104	NUT-Hex, 3/8"-16, Locking
8651	STRAP, Blade Protector
8912	44T GEAR
8913	SHAFT, Output, 7/8"
8915	DOWEL PIN, 1/4" x 1/2", Hardened Steel
8919	GASKET
8922	BALL BEARING
8923	BALL BEARING
8924	SNAP RING
8929	BOLT-SHCS, 1/4"-20 x 1-1/2" (gear case bottom to gear case top)
8931	BOLT-SHCS, 1/4"-20 x 2" (gear case to handlebar plate)
8939	GEAR CASE, (lower half)
8955	AUGER BOLT-SHCS, 3/8"-16 x 1-1/4", (ice auger to powerhead)
8957	POINT, Ice
8958	POINT, Earth
8958HD	POINT, Fishtail
8980	EARTH AUGER SPRING, (6"-10" only)
9005	THROTTLE CONTROL ROD
9005A	THROTTLE CONTROL TWIST
9010	HANDLEBAR-1 Person
9016	CLUTCH DRUM, 3" Threaded
9017	12T PINION GEAR
9020	CENTRIFUGAL CLUTCH ROTOR
9020A	CENTRIFUGAL CLUTCH SPRING
9020B	CENTRIFUGAL CLUTCH SHOES
9037	MOUNT RING, (handlebar to gear case top)
9038	GEAR CASE, (upper half)
9214A	10T PINION GEAR
AV520	GAS ENGINE
EA2F	EARTH AUGER, 2", w/fishtail point
EA3F	EARTH AUGER, 3", w/fishtail point
EA4F	EARTH AUGER, 4", w/fishtail point
EA6F	EARTH AUGER, 6", w/fishtail point
EA8F	EARTH AUGER, 8", w/fishtail point
EA10F	EARTH AUGER, 10", w/fishtail point
EB4	BLADE, Earth, 4"
EB6	BLADE, Earth, 6"
EB8	BLADE, Earth, 8"
EB10	BLADE, Earth, 10"
EBOLT	BOLT, Hex, 1/4"-28 x 5/8", Grade 5, (earth blade to auger)
ENUT	NUT, Nylock, 1/4"-28, (earth blade to auger)
GCA	GAS CAP
GT3HP	GAS TANK
IB5816	BOLT, 5mm x 0.8 x 16mm, (ice blade to auger)
IN58	NUT, 5mm x 0.8 Nylock, (ice blade to auger)
PBP8A	BLADE PROTECTOR, Ice, 8"
PBP10A	BLADE PROTECTOR, Ice, 10"
QB6	BLADE, Ice, 6"
QB8	BLADE, Ice, 8"
QB10	BLADE, Ice, 10"
QT6N	ICE AUGER, 6"
QT8N	ICE AUGER, 8"
QT10N	ICE AUGER, 10"
WF516	WASHER-FLAT, 5/16", (auger shock spring)





ESKIMO/EARTHQUAKE MODEL 8900 & EQ8902





❑ Eskimo/Earthquake Model 8900 & Earthquake Model 8902 Parts List

MINIMUM ORDER \$10.00

Part #	Description	Qty.	Part #	Description	Qty.
60G56	NUT-Hex, 5/16"-18, two way reversible locknut	2	8939	GEAR CASE, (lower half)	1
60G70	TOGGLE SWITCH	1	8955	AUGER BOLT-SHCS, 3/8"-16 x 1-1/4", (auger to pwrhead)	1
719	LOCKWASHER-Spring, 3/8"	1	8957	POINT, Ice	1
893	DECAL, Eskimo	1	8958	POINT, Earth	1
903E	DECAL, Earthquake	1	8958HD	POINT, Fishtail	1
928A	SHOULDER NUT, 5/16"-18	1	8980	EARTH AUGER SPRING, (6"-10" only)	1
1423	BOLT-HHCS, 5/16"-18 x 2", Grade 5, (auger shock spring)	2	9205B	THROTTLE FINGER TIP CONTROL	1
1433	BOLT-Hex Hd, 3/8"-16 x 1-1/2", (earth auger to pwrhead)	1	9211	HANDLE GRIP, 7/8" ID	4
1501	BOLT-Hex Hd, 5/16"-18 x 3/4", Grade 5, Zinc	1	9214	48T GEAR & 10T PINION GEAR , one piece unit, earth	1
2104	NUT-Hex, 3/8"-16, Locking	1	EA2F	EARTH AUGER, 2", w/fishtail point	1
8651	STRAP, Blade Protector	1	EA3F	EARTH AUGER, 3", w/fishtail point	1
89025C	THROTTLE CONTROL ROD, 8902	1	EA4F	EARTH AUGER, 4", w/fishtail point	1
8905I	THROTTLE CONTROL ROD, 8900	1	EA6F	EARTH AUGER, 6", w/fishtail point	1
8910T	HANDLEBAR-1 Person, w/throttle mounting tab	1	EA8F	EARTH AUGER, 8", w/fishtail point	1
8911	48T GEAR & 12T PINION GEAR , one piece unit, ice	1	EA10F	EARTH AUGER,10", w/fishtail point	1
8912	44T GEAR	1	EB4	BLADE, Earth, 4"	1
8913	SHAFT, Output, 7/8"	1	EB6	BLADE, Earth, 6"	1
8915	DOWEL PIN, 1/4" x 1/2", Hardened Steel	1	EB8	BLADE, Earth, 8"	1
8916	CLUTCH DRUM & 7T PINION GEAR	1	EB10	BLADE, Earth, 10"	1
8918	WASHER, Clutch-Hardened Steel	1	EBOLT	BOLT, Hex, 1/4"-28 x 5/8", Grade 5, (earth blade to auger)	2
8919	GASKET	1	ENUT	NUT, Nylock, 1/4"-28, (earth blade to auger)	2
8920	CENTRIFUGAL CLUTCH ROTOR	1	GCA	GAS CAP	1
8920A	CENTRIFUGAL CLUTCH SPRING	2	GT49B	GAS TANK	1
8920B	CENTRIFUGAL CLUTCH SHOES	2	IB5816	BOLT, 5mm x 0.8 x 16mm, (ice blade to auger)	2
89210B	HANDLEBAR-2 Person, w/throttle mounting tab	1	IN58	NUT, 5mm x 0.8 Nylock, (ice blade to auger)	2
8922	BALL BEARING	3	PBP8A	BLADE PROTECTOR, Ice, 8"	1
8923	BALL BEARING	2	PBP10A	BLADE PROTECTOR, Ice, 10"	1
8924	SNAP RING	3	QB6	BLADE, Ice, 6"	2
8929	BOLT-SHCS, 1/4"-20 x 1-1/2" (gear case bottom to gear case top)	2	QB8	BLADE, Ice, 8"	2
8930	BOLT-Hex Hd, 1/4"-20 x 3/4", Grade 5 (handlebar plate to engine)	4	QB10	BLADE, Ice, 10"	2
8931	BOLT-SHCS, 1/4"-20 x 2" (gear case to handlebar plate)	4	QT6N	ICE AUGER, 6"	1
8932	NUT-Hex, 1/4"-20 Keps	4	QT8N	ICE AUGER, 8"	1
8938	GEAR CASE, (upper half)	1	QT10N	ICE AUGER, 10"	1
			TC300	GAS ENGINE	1
			WF516	WASHER-FLAT, 5/16", (auger shock spring)	2

❑ Ordering repair parts

Parts can be obtained from the store where your auger was purchased or direct from the factory. To order from the factory, call or write to:



ARDISAM, INC.

1360 1st Avenue; P.O. Box 666
Cumberland, Wisconsin 54829
(715) 822-2415 Fax (715) 822-4180

1-800-3456-007

www.ardisam.com

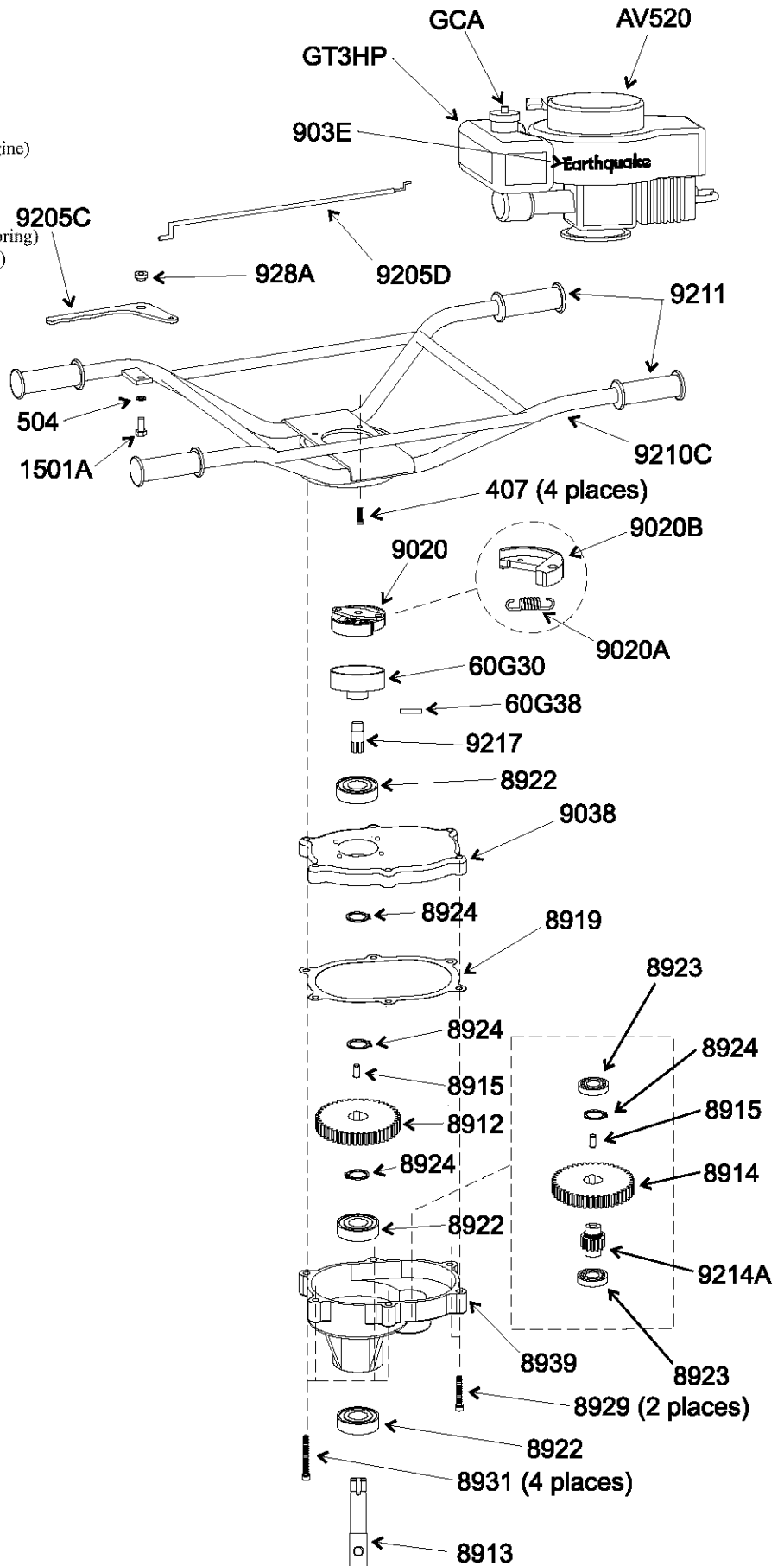
Please include the following information with your order:

1. Part numbers
2. Part description
3. Quantity
4. Model number and serial number



EARTHQUAKE MODEL 9200

Part #	Description
60G30	CLUTCH DRUM
60G38	SPRING PIN, 7/32" x 1-1/8"
60G56	NUT-Hex, 5/16"-18, two way reversible locknut
407	BOLT-SHCS, 5/16"-18 x 5/8", (handlebar plate to engine)
719	LOCKWASHER-Spring, 3/8"
903E	DECAL, Earthquake
928A	SHOULDER NUT, 5/16"-18
1423	BOLT-HHCS, 5/16"-18 x 2", Grade 5, (auger shock spring)
1433	BOLT-Hex Hd, 3/8"-16 x 1-1/2", (auger to powerhead)
1501	BOLT-Hex Hd, 5/16"-18 x 3/4", Grade 5, Zinc
2104	NUT-Hex, 3/8"-16, Locking
8913	SHAFT, Output, 7/8"
8914	48T GEAR
8915	DOWEL PIN, 1/4" x 1/2", Hardened Steel
9217	7T PINION GEAR
8919	GASKET
8922	BALL BEARING
8923	BALL BEARING
8924	SNAP RING
8929	BOLT-SHCS, 1/4"-20 x 1-1/2" (gear case bottom to gear case top)
8931	BOLT-SHCS, 1/4"-20 x 2" (gear case to handlebar plate)
8939	GEAR CASE, (lower half)
8958	POINT, Earth
8958HD	POINT, Fishtail
8980	EARTH AUGER SPRING, (6"-10" only)
9020	CENTRIFUGAL CLUTCH ROTOR
9020A	CENTRIFUGAL CLUTCH SPRING
9020B	CENTRIFUGAL CLUTCH SHOES
9038	GEAR CASE, (upper half)
9205C	THROTTLE FINGER TIP CONTROL
9205D	THROTTLE CONTROL ROD
9210C	HANDLEBAR-2 Person, w/throttle mounting tab
9211	HANDLE GRIP, 7/8" ID
9214A	10T PINION GEAR
9216	GEAR CLUSTER-48T GEAR & 10T PINION (includes 8924, 8915, 8914, & 9214A)
AV520	GAS ENGINE
EA2F	EARTH AUGER, 2", w/fishtail point
EA3F	EARTH AUGER, 3", w/fishtail point
EA4F	EARTH AUGER, 4", w/fishtail point
EA6F	EARTH AUGER, 6", w/fishtail point
EA8F	EARTH AUGER, 8", w/fishtail point
EA10F	EARTH AUGER, 10", w/fishtail point
EB4	BLADE, Earth, 4"
EB6	BLADE, Earth, 6"
EB8	BLADE, Earth, 8"
EB10	BLADE, Earth, 10"
EBOLT	BOLT, Hex, 1/4"-28 x 5/8", Grade 5, (earth blade to auger)
ENUT	NUT, Nylock, 1/4"-28, (earth blade to auger)
GCA	GAS CAP
GT3HP	GAS TANK
WF516	WASHER-FLAT, 5/16", (auger shock spring)





ACCESSORIES

We at Ardisam take pride in serving our customers with any additional needs you might have. We carry a full line of accessories for your ice/earth auger. All you have to do is call us anytime during business hours (Central Time) and we'll be happy to help provide you with the products you need. **Our toll free number is 1-800-3456-007.**

IMPORTANT: State Model Number of Unit When Ordering.

If you have purchased this unit as an ice auger and you desire to use it for post hole drilling, you may order an earth auger direct from the factory if your dealer does not stock required parts:

- EA10F 10" Earth Auger
- EA8F 8" Earth Auger
- EA6F 6" Earth Auger
- EA4F 4" Earth Auger
- EA3F 3" Earth Auger
- EA2F 2" Earth Auger



Should you need additional depth extension for earth or ice:

- EXT6 6" Extension
- EXT12 12" Extension
- EXT18 18" Extension



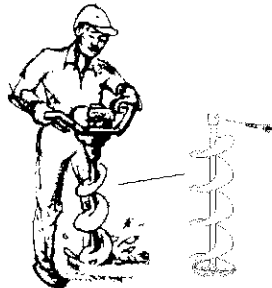
Earth Replacement Blades (includes nuts & bolts)

- EB4 4" Earth Replacement Blade
- EB6 6" Earth Replacement Blade
- EB8 8" Earth Replacement Blade
- EB10 10" Earth Replacement Blade
- EBOLT Bolt-Hex Hd, 1/4-28 x 5/8", Grade 5
- ENUT Nut-Nylock, 1/4-28



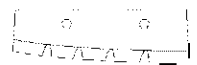
If you have purchased this unit as an earth auger and you desire to use it for ice fishing, you may order an ice auger direct from the factory if your dealer does not stock required parts:

- QT6N 6" Ice Auger
- QT8N 8" Ice Auger
- QT10N 10" Ice Auger



Ice Replacement Blades (includes nuts & bolts)

- QB6 6" Quantum Series (Set of 2)
- QB8 8" Quantum Series (Set of 2)
- QB10 10" Quantum Series (Set of 2)
- IB5816 Bolt, 5mm x 0.8 x 16mm
- IN58 Nut-Nylock, 5mm x 0.8



NOTE: DO NOT USE AN EARTH AUGER IN ICE OR AN ICE AUGER IN EARTH.

Other Accessories

- ADAPT3 1/2" Chuck Adapter,
Does Not Include Adapter or Chuck
- DISPW Wall Hanger for Powerhead/Auger Storage
- SHARP1 Diamond Sharpener Hone-Fine
- SHARP2 Diamond Sharpener Hone-Medium

U.S. FUNDS ONLY

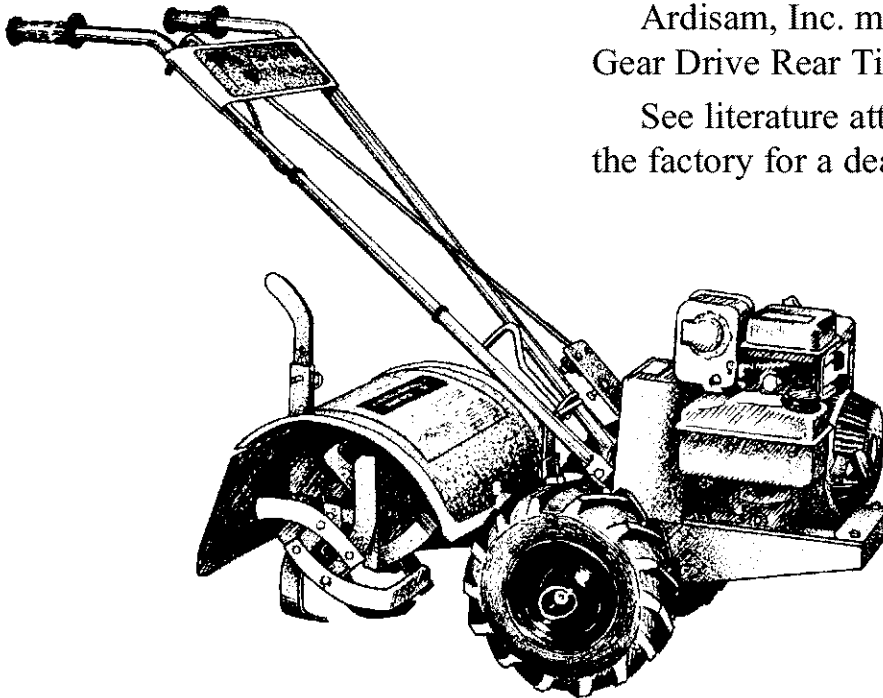




EARTHQUAKE TILLERS & WARRANTY

Ardisam, Inc. manufactures a quality line of Gear Drive Rear Tine Rototillers.

See literature attached herewith or contact the factory for a dealer in your area.



**Earthquake Model 5020 - 5HP or
Earthquake Model 5020E - 5HP Electric Start**

One Year Limited Warranty

The Ardisam, Inc., Manufacturing Company warrants this Eskimo® or Earthquake® Auger to be free from defects in material or workmanship. Conditions of this warranty include:

What is covered under warranty:

Ardisam, Inc. will repair or replace any part defective in workmanship or material within one year after delivery of the auger to the original purchaser.

What is not covered under warranty:

This warranty applies only to products which have not been repaired or altered outside our factory. It covers only defects resulting from normal use, and does not cover defects arising from misuse, alteration, negligence, commercial use, or accident. This warranty applies only to the original purchaser, and is not transferrable.

How to obtain service:

Return the product to us at the address below with transportation charges prepaid.

This warranty supersedes all other warranties either expressed or implied and all other obligations or liabilities on our part. Ardisam, Inc., does not assume, and does not authorize any other person to assume for us, any liability in connection with the sale of our products. This guarantee is void unless warranty card is properly filled out and returned to Ardisam, Inc., Cumberland, Wisconsin, at time of purchase.



ARDISAM, INC.

1360 1st Avenue; P.O. Box 666
Cumberland, Wisconsin 54829
(715) 822-2415 Fax (715) 822-4180

1-800-3456-007

www.ardisam.com