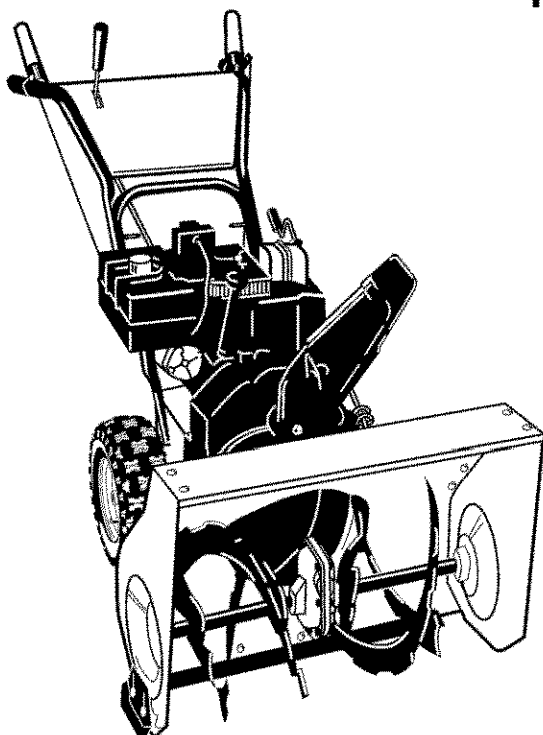
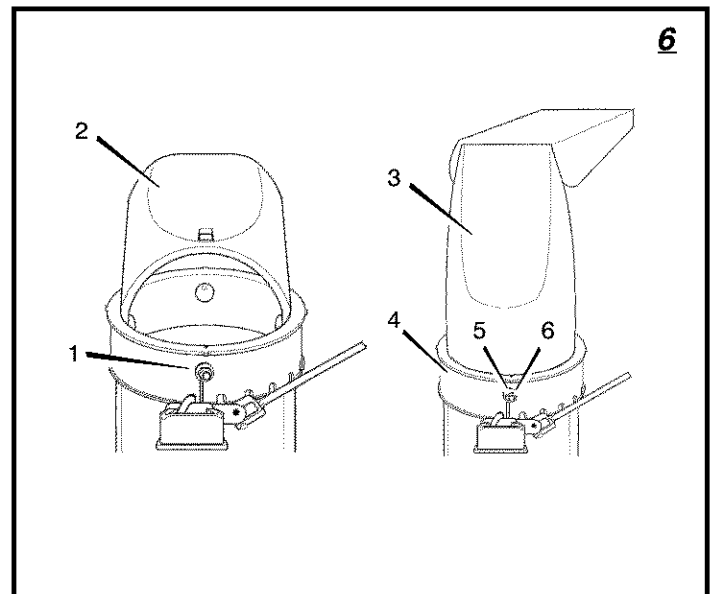
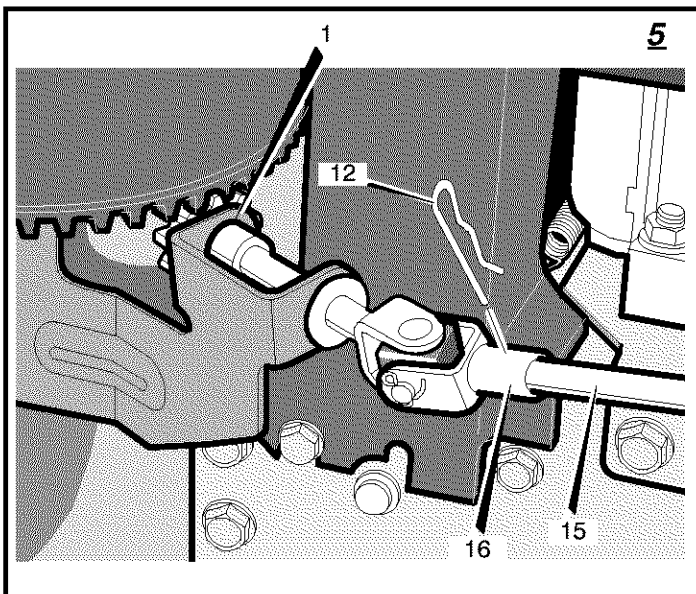
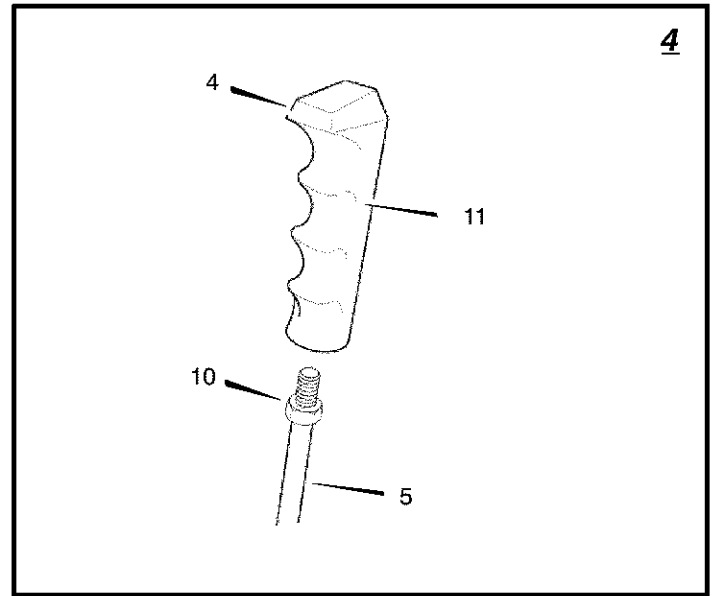
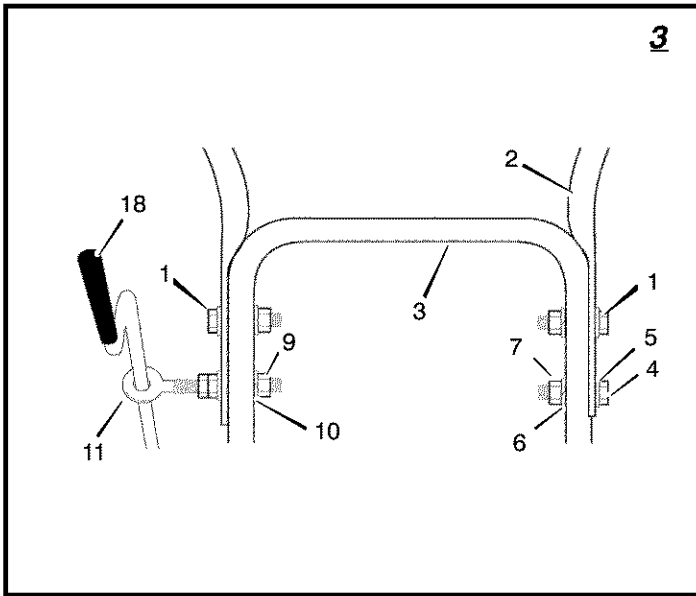
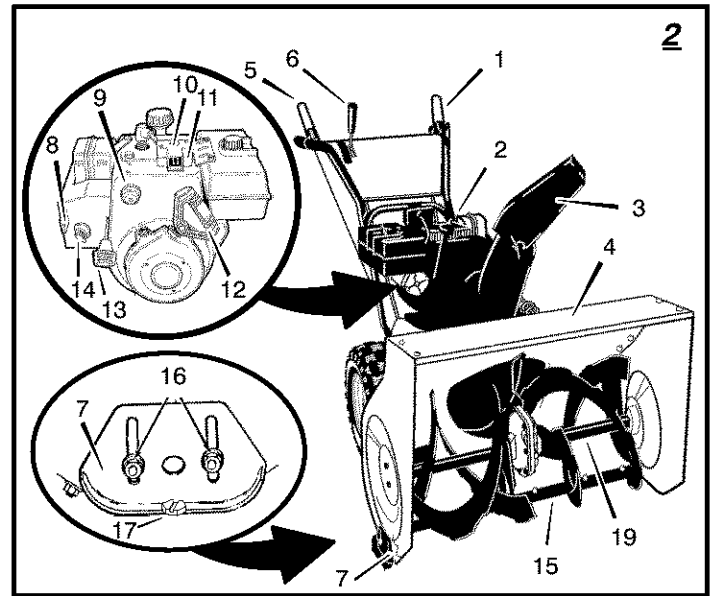
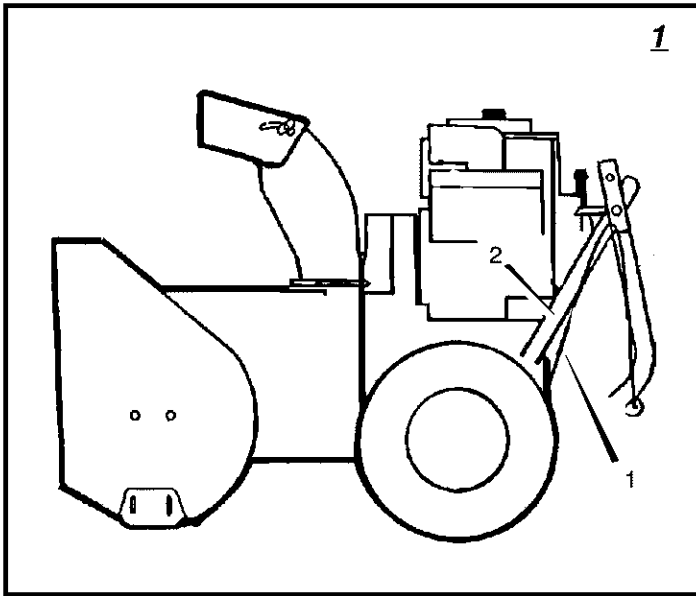
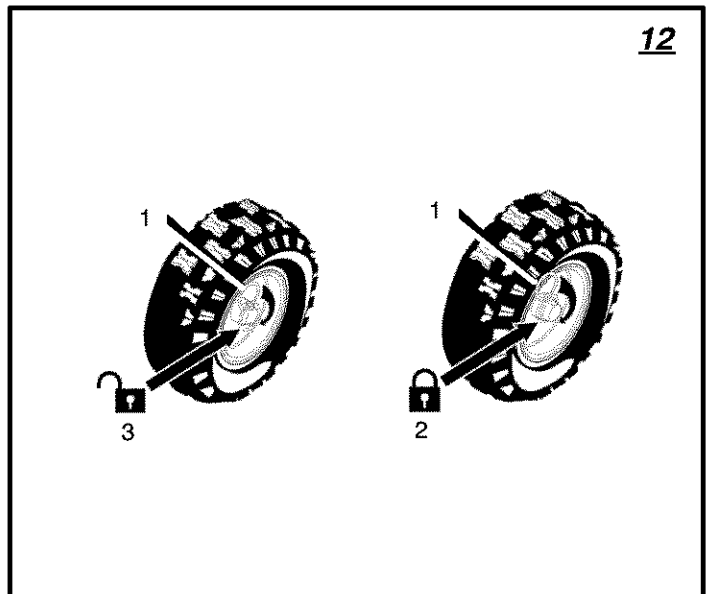
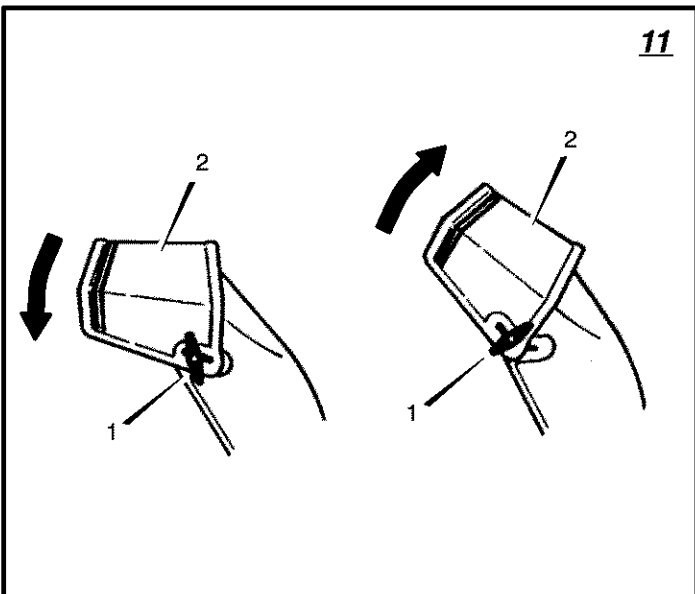
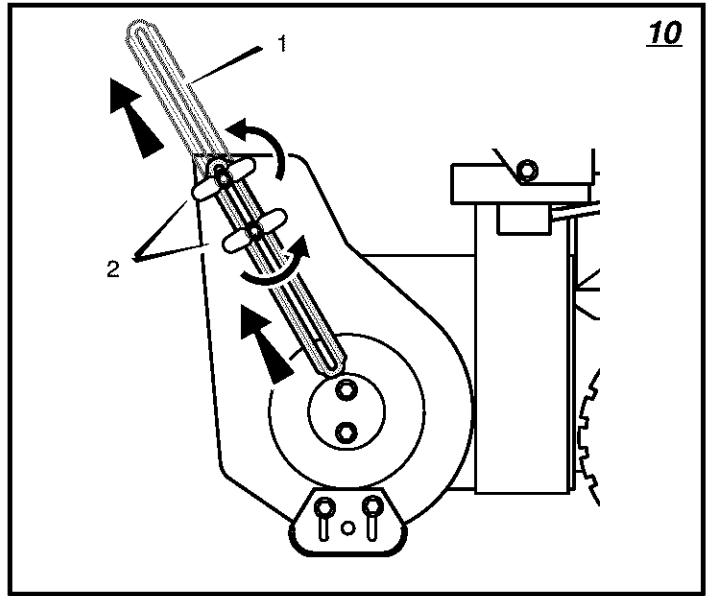
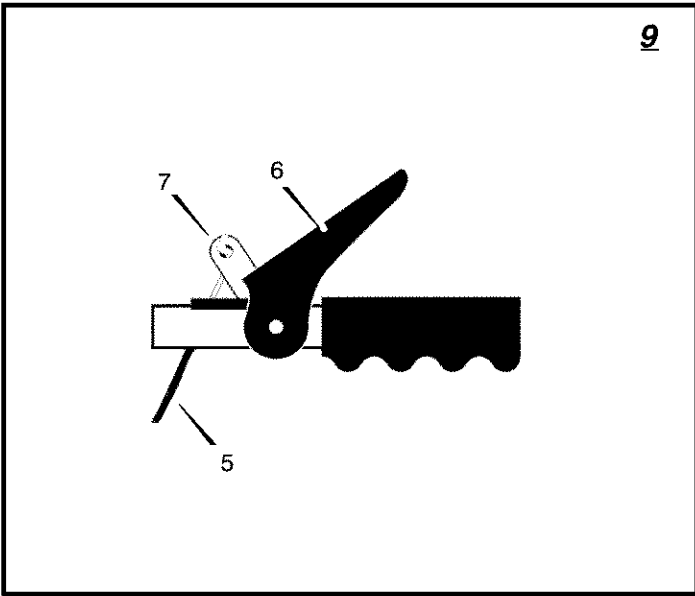
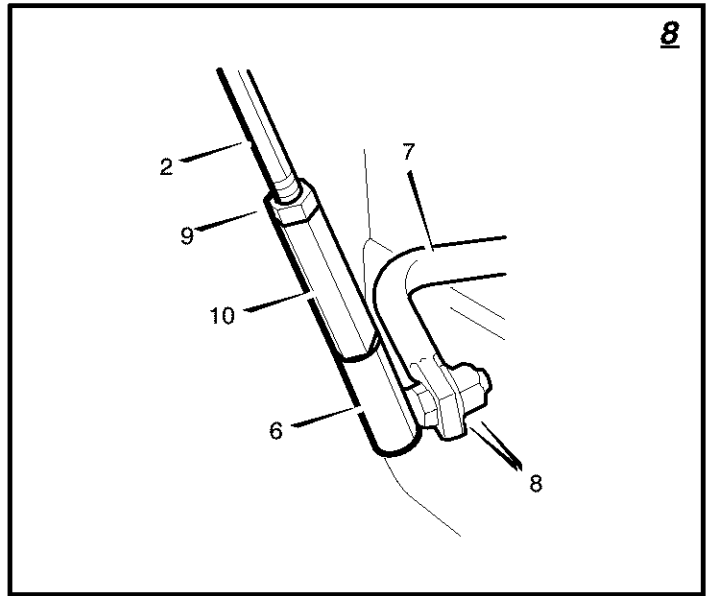
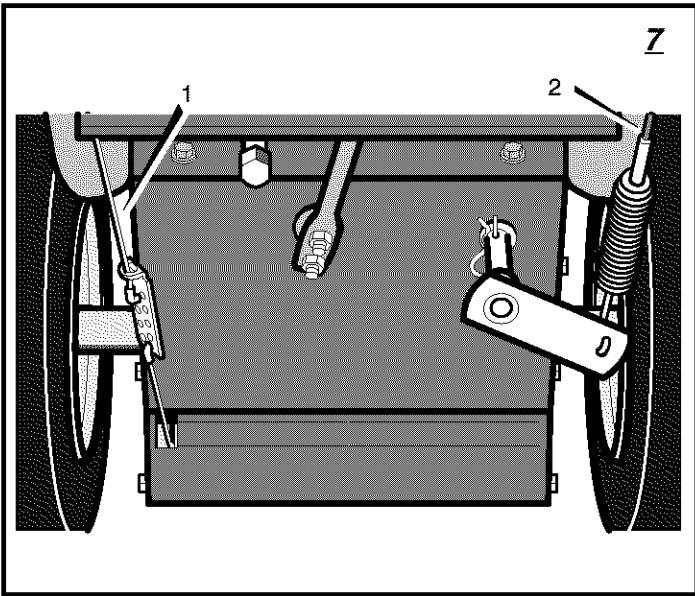
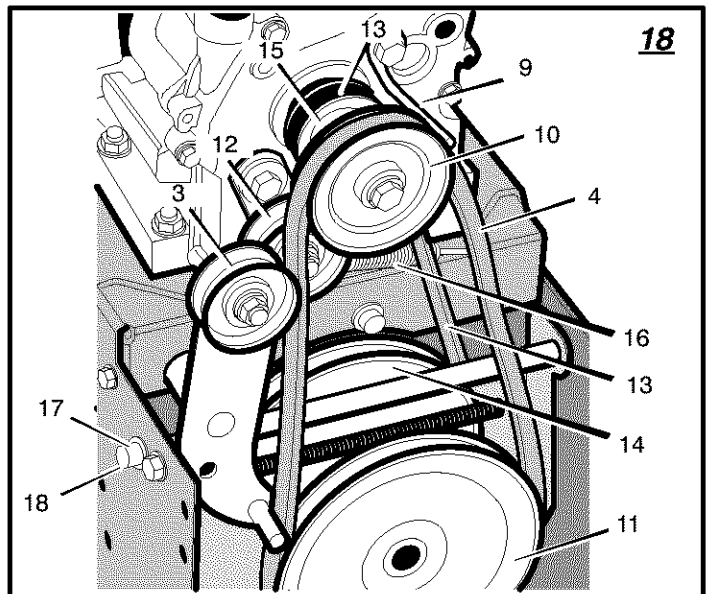
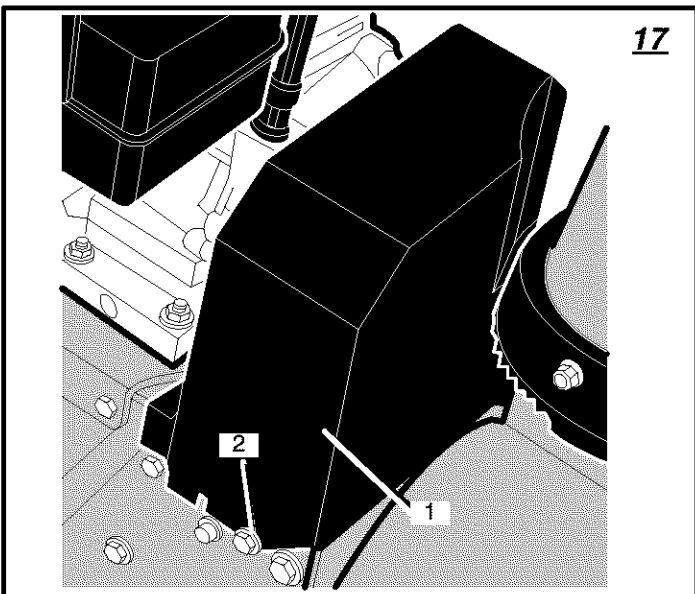
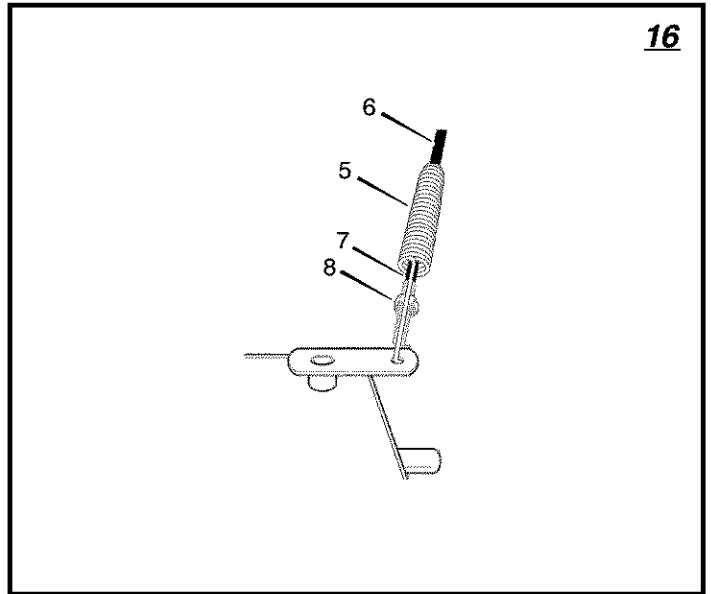
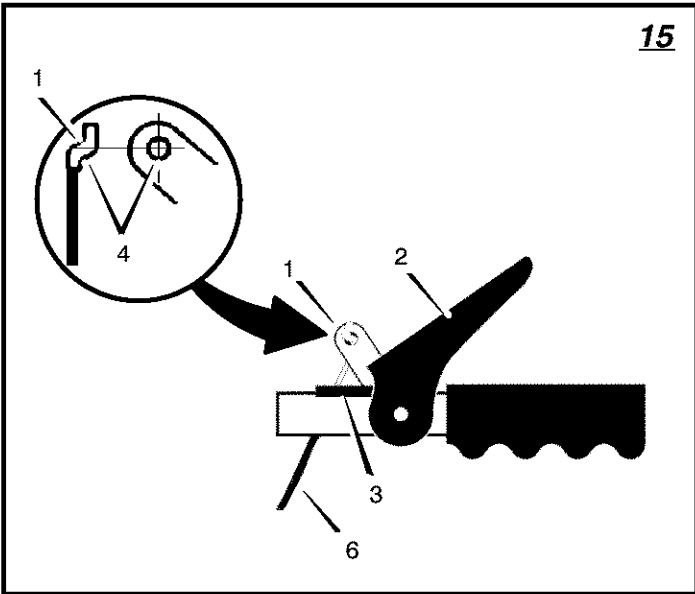
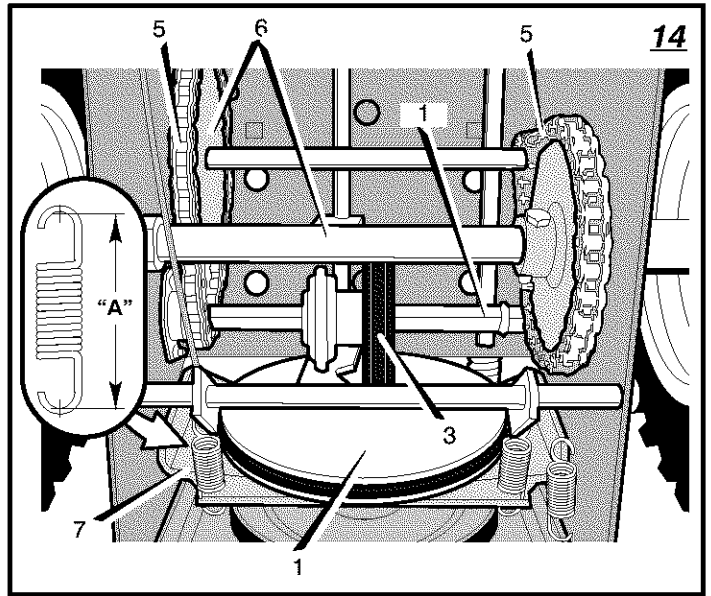
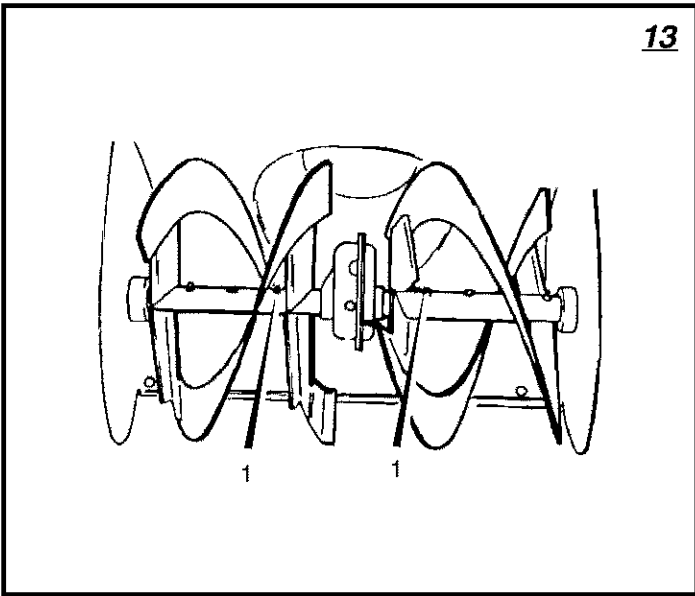


- | | |
|---|---|
| (GB) <i>Instruction Book</i> | Snow Thrower
Model 629108x61D |
| (F) <i>Manuel de l'utilisateur</i> | Chasse-neige
modèle 629108x61D |
| (D) <i>Betriebsanleitung</i> | Schneefräse
Modell 629108x61D |
| (I) <i>Istruzioni per l'uso</i> | Spazzaneve
Modello 629108x61D |
| (N) <i>Bruksanvisning</i> | Snøfreser
modell 629108x61D |
| (S) <i>Användarhandbok</i> | Snöslunga
modell 629108x61D |
| (SF) <i>Ohjekirja</i> | Lumilinko
malli 629108x61D |
| (E) <i>Manual de Instrucciones</i> | Quitanieves
modelo 629108x61D |

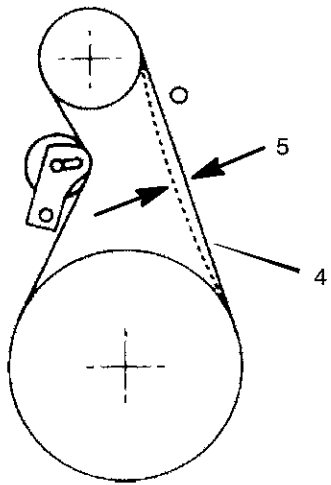




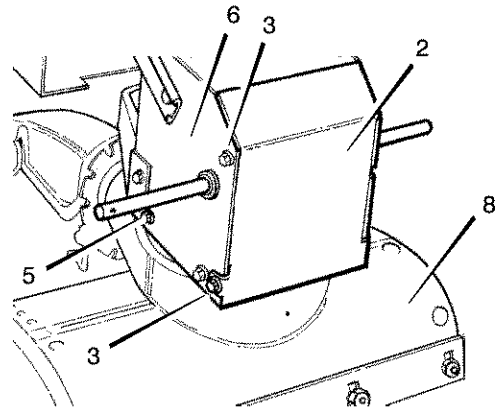




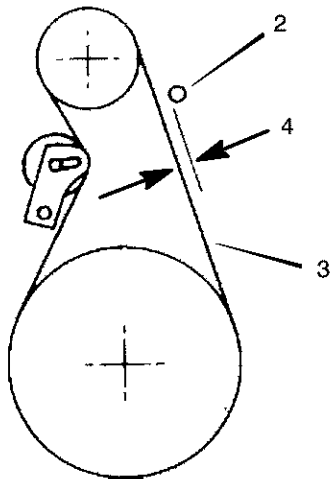
19



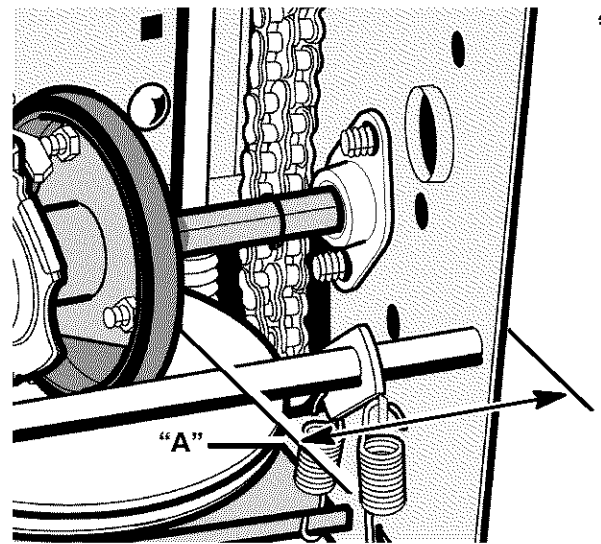
20



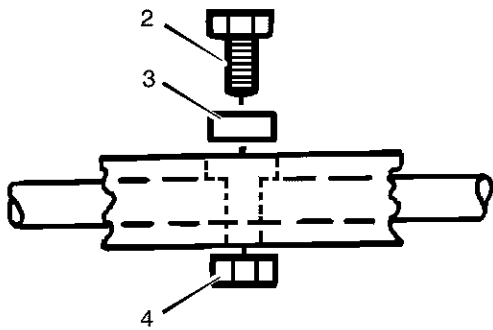
21

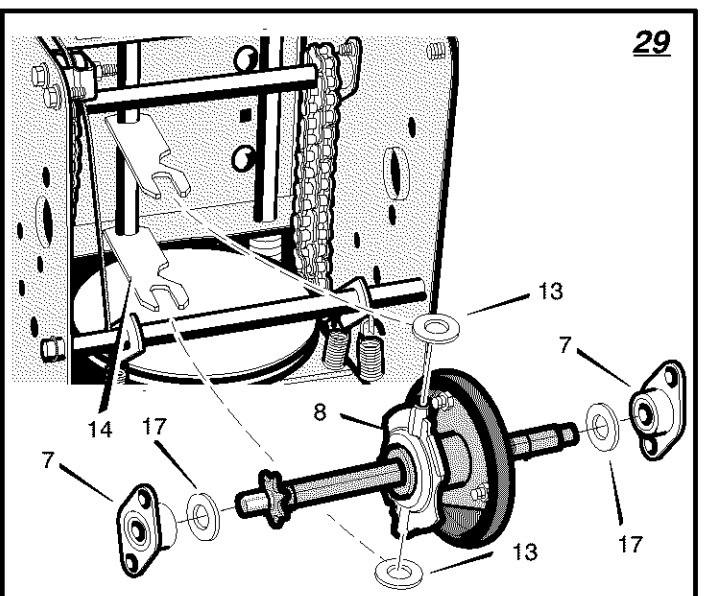
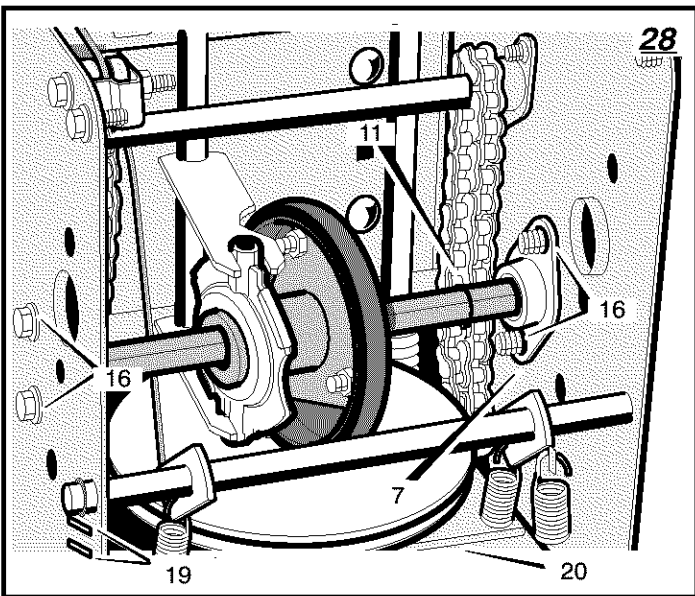
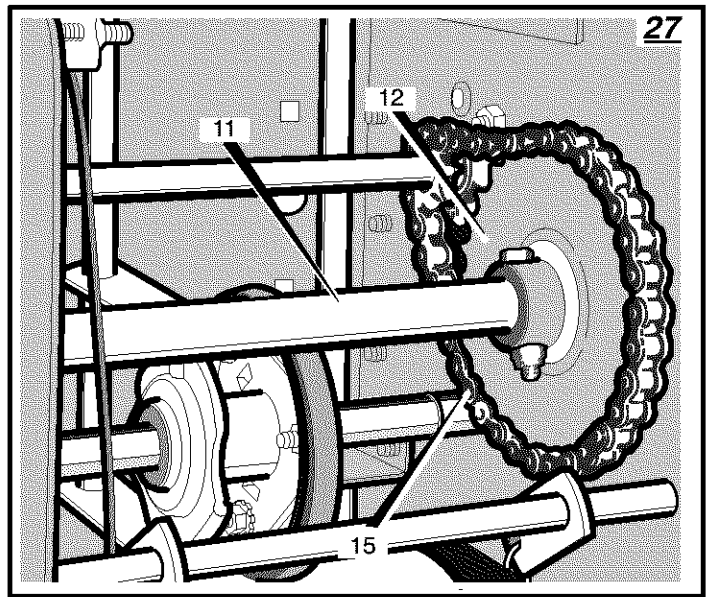
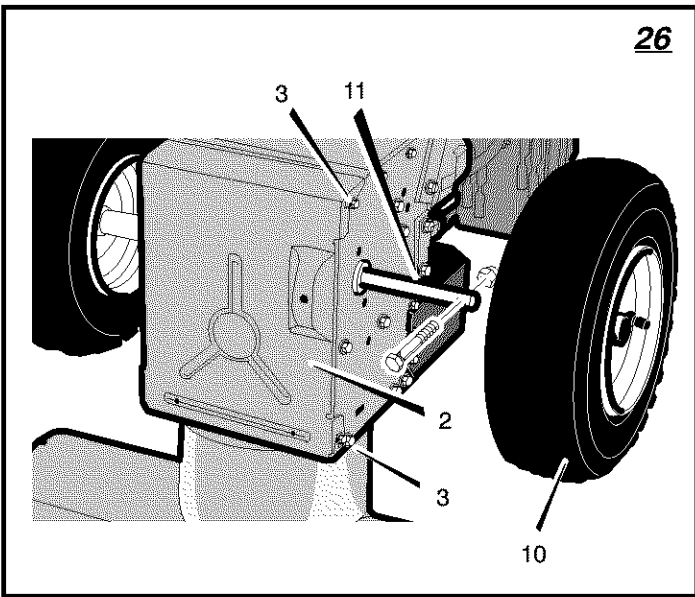
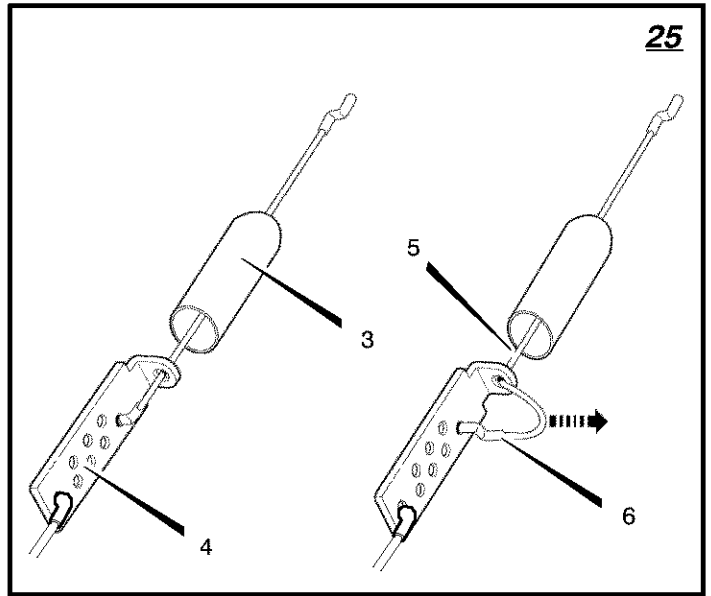
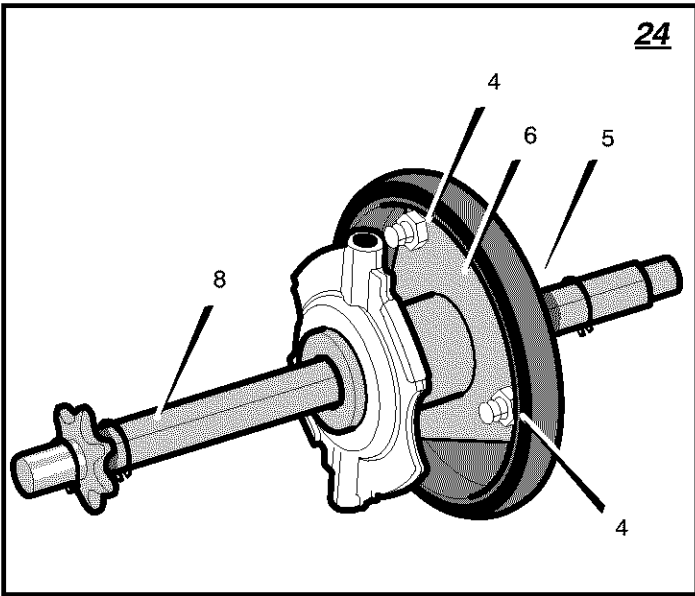


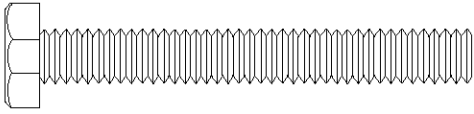
22



23



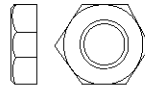




2



2



2

CONTENTS

PRODUCT INFORMATION 8
OWNER'S INFORMATION 8
INTERNATIONAL PICTORIALS 9
ASSEMBLY 11
OPERATION 11
MAINTENANCE 14
MAINTENANCE CHART 14
TROUBLESHOOTING CHART 17

TWO YEAR LIMITED WARRANTY

Murray, Inc. warrants to the original purchaser that this unit shall be free from defects in material and workmanship under normal use and service for a period of **Two (2) Year** from the date of purchase; however, this warranty does not cover engines, accessories (such as electric starters) and Normal Wear Parts (except as noted below) as the companies that manufacture these items furnish their own warranties and provide service through their authorized field service facilities. For additional information, see the warranties covering these particular parts. If you are uncertain whether your unit contains or is equipped with one or more of these parts, consult your dealer prior to purchase. Subject to the terms and conditions noted in this Limited Warranty, we shall, at our

option, repair or replace at no cost to the original purchaser any part covered by this Limited Warranty during the applicable warranty period. Normal Wear Parts are defined as drive belts, augers, shear pins, tires and headlights. These parts are warranted to be free from defects in material and workmanship as delivered with the product. Any claim for repair or replacement of Normal Wear Parts must be made within thirty (30) days of the date of purchase. No claims involving damage caused from material use, abuse or misuse will be honored. This Murray, Inc. **Two (2) Year Limited Warranty** is your exclusive remedy; however, this warranty is void or does not apply to any unit that has been tampered with, altered, misused, abused or used for rental or other commercial and/or professional (non-homeowner) uses. Your warranty does not cover minor mechanical adjustments which are not due to any defect in material or workmanship. For assistance in making such adjustments, consult your Instruction Book. To make a claim under this Murray, Inc. **Two (2) Year Limited Warranty**, return the unit (or if authorized in advance, the defective part) along with your proof of purchase to an Authorized Service Center near you. To locate the nearest Authorized Service Center, call the Central Parts

Distributor for your area shown in the list provided with your unit or check the Yellow Page listings in your local telephone directory. If you return the entire unit, we will repair the unit. If we authorize the return of the defective part only, we will either replace or repair the part. This Murray, Inc. **Two (2) Year Limited Warranty** gives you specific legal rights, and you may also have other rights which vary from state to state. **This Limited Warranty is given in lieu of all other expressed and implied warranties including the implied warranty of merchantability and warranty of fitness for a particular purpose.** If you need additional information on this written warranty or assistance in obtaining service, write:

HAYTER LIMITED,
 Service Department,
 Spellbrook,
 Bishop's Stortford,
 Hertfordshire. CM23 4BU.

MURRAY, INC.
 International Sales
 P.O. Box 268
 Brentwood, Tennessee USA 37024
 1-800-251-8007
 Fax (615) 373-6633

PRODUCT INFORMATION

The owner must be certain that all the product information is included with the unit. This information includes the INSTRUCTION BOOKS, the REPLACEMENT PARTS and the WARRANTIES. This information must be included to make sure state laws and other laws are followed.

IMPORTANT: Many units are not assembled and are sold in cartons. It is the responsibility of the owner to make sure the assembly instructions in this manual are exactly followed. Other units are purchased in an assembled condition. On assembled units, it is the responsibility of the owner to make sure the unit is correctly assembled. The owner must carefully check the unit according to the instructions in this manual before it is first used.

3. Inspect the unit.
4. Make sure that the operator of the unit knows how to correctly use all standard and accessory equipment.
5. Operate the unit only with guards, shields, and other safety items in place and working correctly.
6. Correctly adjust the unit.
7. Service the unit only with authorized or approved replacement parts.
8. Complete all maintenance on the unit.

OWNER'S INFORMATION

This instruction book is written for a person with some mechanical ability. Like most service books, not all the steps are described. Steps on how to loosen or tighten fasteners are steps anyone can follow with some mechanical ability. Read and follow these instructions before you use the unit.



WARNING: Look for this symbol to indicate important safety precautions. This symbol indicates: "Attention! Become Alert! Your Safety Is At Risk."

Know your product: If you understand the unit and how the unit operates, you will get the best performance. As you read this manual, compare the illustrations to the unit. Learn the location and the function of the controls. To help prevent an accident, follow the operating instructions and the safety rules. Keep this manual for future reference.

Responsibility Of The Owner

The responsibility of the owner is to follow the instructions below.

1. Carefully read and follow the rules for safe operation.
2. Follow all the assembly and preparation instructions.

Environmental Awareness

- Do not fill the engine's fuel tank completely full.
- Drain fuel for off-season storage.
- Use only unleaded gasoline.
- Service the air cleaner regularly.
- Change oil regularly. Use 5W-30 oil.
- Tune-up the engine regularly.
- Keep equipment in efficient operating condition.
- Dispose of used engine oil properly.

MODEL NO.: 629108x61D **CE**

SKU No.:

YYYY MM DD: _____

SERIAL NO.:

3750 min-1

108 kg

Manufactured in Lawrenceburg, TN 38464, U.S.A.

Declared vibration emission values in accordance with Directive 98/37/EC.
 Vibration Emission according to EN 1033;1996: **28,4 m/s²**.
 Values determined at the handle when the machine was operated stationary on a concrete surface at 3750 min-1.

Declared airborne noise emissions of Lwa 111 dB is in accordance with Directive 2000/14/EC, Annex V.
 Sound Pressure Level at operator position **96 dB**.
 Values determined at ear according to the specifications of EN ISO 11201.

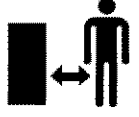
INTERNATIONAL PICTORIALS

IMPORTANT: The following pictorials are located on your unit or on literature supplied with the product. Before you operate the unit, learn and understand the purpose for each pictorial.

Safety Warning Symbols



DANGER
Thrown Objects.
Keep Bystanders Away.



DANGER
Thrown Objects.
Keep Bystanders Away.



WARNING

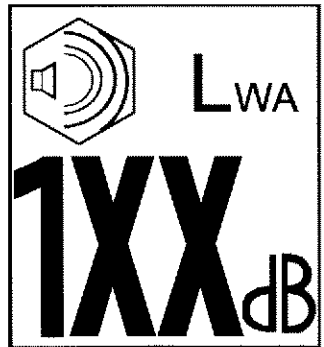
DANGER
Stop The Engine
Before Unclogging
Discharge Chute!



IMPORTANT
Read Owner's Manual
Before Operating
This Machine.



DANGER
Avoid Injury From
Rotating Auger. Keep
Hands, Feet And
Clothing Away.



Declared airborne sound power level of 111 dB(A) is in accordance with Directive 2000/14/EC.



WARNING
Hot Surface



STOP

Control And Operating Symbols



Slow



Fast



Electric Start



Engine Start



Engine Run



Engine Off



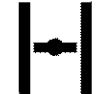
Engine Stop



On



Choke Off



Choke On



Neutral



Forward



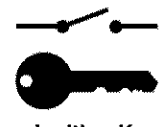
Reverse



Throttle



Primer Button



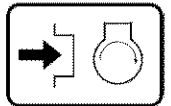
Ignition Key



Ignition Off



Ignition On



Push To Engage
Electric Starter



Engage



Auger Clutch



Auger Collector



Discharge DOWN



Discharge UP



Discharge LEFT



Discharge RIGHT



Drive Clutch



Fuel



Oil



Fuel Oil Mixture



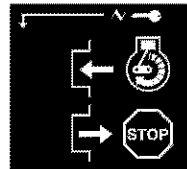
Weight Transfer
Lift Handle To Engage



Weight Transfer
Depress Pedal To Disengage



Transmission



Ignition Key
Insert To Run, Pull Out To Stop.

Safe Operation Practices for Snow Throwers

IMPORTANT: Safety standards require operator presence controls to minimize the risk of injury. Your snow thrower is equipped with such controls. Do not attempt to defeat the function of the operator presence control under any circumstances.

Training

1. Read the operating and service instruction manual carefully. Be thoroughly familiar with the controls and the proper use of the equipment. Know how to stop the unit and disengage the controls quickly.
2. Never allow children to operate the equipment. Never allow adults to operate the equipment without proper instruction.
3. Keep the area of operation clear of all persons, particularly small children and pets.
4. Exercise caution to avoid slipping or falling especially when operating in reverse.

Preparation

1. Thoroughly inspect the area where the equipment is to be used and remove all doormats, sleds, boards, wires, and other foreign objects.
2. Disengage all clutches before starting the engine (motor).
3. Do not operate the equipment without wearing adequate winter outer garments. Wear footwear that will improve footing on slippery surfaces.
4. Handle fuel with care; it is highly flammable.
 - a. Use an approved fuel container.
 - b. Never remove fuel tank cap or add fuel to a running engine (motor) or hot engine (motor).
 - c. Fill fuel tank outdoors with extreme care. Never fill fuel tank indoors.
 - d. Replace fuel cap securely and wipe up spilled fuel.
 - e. Never store fuel or snow thrower with fuel in the tank inside of a building where fumes may reach an open flame or spark.
 - f. Check fuel supply before each use, allowing space for expansion as the heat of the engine (motor) and/or sun can cause fuel to expand.
5. For all units with electric starting motors use electric starting extension cords certified CSA/UL. Use only with a receptacle that has been installed in accordance with local inspection authorities.
6. Adjust the snow thrower height to clear gravel or crushed rock surface.

7. Never attempt to make any adjustments while the engine (motor) is running (except when specifically recommended by manufacturer).
8. Let engine (motor) and snow thrower adjust to outdoor temperatures before starting to clear snow.
9. Always wear safety glasses or eye shields during operation or while performing an adjustment or repair to protect eyes from foreign objects that may be thrown from the snow thrower.

Operation

1. Do not operate this machine if you are taking drugs or other medication which can cause drowsiness or affect your ability to operate this machine.
2. Do not use this machine if you are mentally or physically unable to operate this machine safely.
3. Do not put hands or feet near or under rotating parts. Keep clear of the discharge opening at all times.
4. Exercise extreme caution when operating on or crossing gravel drives, walks or roads. Stay alert for hidden hazards or traffic.
5. After striking a foreign object, stop the engine (motor), remove the wire from the spark plug, thoroughly inspect snow thrower for any damage, and repair the damage before re-starting and operating the snow thrower.
6. If the unit should start to vibrate abnormally, stop the engine (motor) and check immediately for the cause. Vibration is generally a warning of trouble.
7. Stop the engine (motor) whenever you leave the operating position, before unclogging the auger/impeller housing or discharge chute and when making any repairs, adjustments, or inspections.
8. When cleaning, repairing, or inspecting, make certain the auger/impeller and all moving parts have stopped and all controls are disengaged. Disconnect the spark plug wire and keep the wire away from the spark plug to prevent accidental starting.
9. Take all possible precautions when leaving the snow thrower unattended. Disengage the auger/ impeller, stop engine (motor), and remove key.
10. Do not run the engine (motor) indoors, except when starting the engine (motor) and for transporting the snow thrower in or out of the building. Open the outside doors; exhaust fumes are dangerous (containing CARBON MONOXIDE, an ODORLESS and DEADLY GAS).

11. Do not clear snow across the face of slopes. Exercise extreme caution when changing direction on slopes. Do not attempt to clear steep slopes.
12. Never operate the snow thrower without proper guards, plates or other safety protective devices in place.
13. Never operate the snow thrower near enclosures, automobiles, window wells, drop-offs, and the like without proper adjustment of the snow discharge angle. Keep children and pets away.
14. Do not overload the machine capacity by attempting to clear snow at too fast a rate.
15. Never operate the machine at high transport speeds on slippery surfaces. Look behind and use care when backing up.
16. Never direct discharge at bystanders or allow anyone in front of the unit.
17. Disengage power to the collector/impeller when snow thrower is transported or not in use.
18. Use only attachments and accessories approved by the manufacturer of the snow thrower (such as tire chains, electric start kits, ect.).
19. Never operate the snow thrower without good visibility or light. Always be sure of your footing and keep a firm hold on the handles. Walk; never run.
20. Do not over-reach. Keep proper footing and balance at all times.
21. Exercise caution if operating on steep sloping surfaces.
22. This snow thrower is for use on sidewalks, driveways and other ground level surfaces.
23. Do not use the snow thrower on surfaces above ground level such as roofs of residences, garages, porches or other such structures or buildings.

Maintenance And Storage

1. Check shear bolts and other bolts at frequent intervals for proper tightness to be sure the equipment is in safe working condition.
2. Never store the snow thrower with fuel in the tank inside a building where ignition sources are present such as hot water and space heaters, clothes dryers, and the like. Allow the engine (motor) to cool before storing in any enclosure.
3. Always refer to operator's guide instructions for important details if the snow thrower is to be stored for an extended period.
4. Maintain or replace safety and instruction labels, as necessary.
5. Run the snow thrower a few minutes after throwing snow to prevent freeze-up of the auger/impeller.

ASSEMBLY

Read and follow the assembly and adjustment instructions for your snow thrower. All fasteners are in the parts bag. Do not discard any parts or material until the unit is assembled.



WARNING: Before doing any assembly or maintenance to the snow thrower, remove the wire from the spark plug.

NOTE: In this instruction book, left and right describe the location of a part from the operator's position behind the unit.

NOTE: Torque is measured in foot pounds (metric N.m). This measurement describes how tight a nut or bolt must be. The torque is measured with a torque wrench.

NOTE: Illustrations begin on page 2.

NOTE: Fasteners and loose parts are shown at full size in Figure 30.

Tools Required

- 1 Knife
- 1 Pliers
- 2 1/2 inch open end wrenches
- 2 9/16 inch open end wrenches
- 2 3/4 inch open end wrenches
- 1 Measuring tape or ruler
- 1 Screwdriver

How To Remove The Snow Thrower From The Carton

1. (Figure 1) The snow thrower is shown in the shipping position.
2. Cut and discard the plastic ties that secure the crank assembly and the speed control rod assembly.
3. Cut down all four corners of the carton and lay the side panels flat.
4. Locate all parts that are packed separately and remove from the carton.
5. Remove and discard the packing material from around the snow thrower.
6. (Figure 2) For shipping purposes, the height adjust skids (7) are attached to the pallet. Remove the screw (17) that secures each height adjust skid (7) to the pallet.
7. Hold onto the lower handle and pull the snow thrower off the pallet.

CAUTION: DO NOT back over cables.

8. Remove the packing material from the handle assembly.
9. Cut the ties that secure the clutch control cables (1) to the lower handle (2). Move the cables away from the motor frame.

How To Assemble The Handle And Crank Assembly

1. (Figure 3) Loosen, but do not remove, the fasteners (1) in the upper holes of the lower handle.
2. Remove the fasteners and the crank assembly eyebolt (11) from the lower holes of the lower handle.
3. (Figure 2) Put the shift lever (6) into first forward position.
4. (Figure 3) Raise the upper handle (2) to the operating position.

NOTE: Make sure the cables are not caught between the upper and lower handle.

5. Install the fasteners and the crank assembly eyebolt (11) that were removed in step 2. DO NOT tighten until all fasteners are in place.
6. (Figure 5) Attach the crank rod (15) to the universal joint assembly (16) with the hair pin (12).
7. (Figure 3) Tighten nut on eye bolt (11). Make sure eye bolt (11) is properly aligned and the crank (18) can freely rotate.
8. Tighten all handle fasteners.

How To Install The Speed Control Rod

1. (Figure 8) Attach the ball joint (6), located on the bottom end of the speed control rod (2), to the shift yoke assembly (7). The fasteners (8) are attached to the ball joint (6) at the factory.

The length of the ball joint (6) and speed control rod (2) have been pre-adjusted at the factory. If an adjustment is required, loosen the nut (9). Remove the fasteners (8) to disconnect the ball joint (6) from the shift yoke assembly (7). To lengthen or shorten the speed control rod (2), turn the adapter (10) to obtain the correct length.

2. (Figure 4) Attach the handle (11) onto the speed select lever (5). On some models, the handle (11) is attached. To lock in position, tighten the hex jam nut (10) against the bottom of the handle (11).
3. Make sure the speed select lever (5) functions correctly. Move the speed select lever (5) through all speeds.

How To Assemble The Chute Deflector

1. (Figure 6) Remove carriage bolt (1).
2. Raise the chute deflector (2) into operating position (3).
3. Fasten chute deflector (2) to flange (4) with carriage bolts (1). Make sure to install with head of the carriage bolts (1) on the inside of the flange (2).
4. Fasten with washers (5) and locknuts (6).
5. Tighten locknuts (6) securely.

NOTE: Make sure all carriage bolts in flange are tight. DO NOT OVERTIGHTEN.

Check The Cables

1. (Figure 7) Check the traction drive cable (1) and the auger drive cable (2). If the bottom of the cables have become disconnected, reinstall the cables.
2. (Figure 9) If the top of the cables (5) have become disconnected from the drive levers (6), attach the cables (5) to the "Z" fitting (7).

How To Set The Skid Height (Figure 2)

The snow thrower is equipped with height adjustable skids (7) mounted on the outside of the auger housing (4). To adjust the height of the skids, see "How To Adjust The Height Of The Skids" in the Maintenance section.

How To Set The Length Of The Cables

The cables were adjusted at the factory and no adjustments should be necessary. However, after the handles are put in the operating position, the cables can be too tight or too loose. If an adjustment is necessary, see "How To Check And Adjust The Cables" in the Service And Adjustment section.

How To Assemble The Drift Cutter (if equipped)

Drift cutters are used to cut a path through snow deeper than the auger housing.

1. (Figure 10) Loosen the fasteners (2) that secure the drift cutters (1) to the auger housing.
2. Raise the drift cutters (1) to the desired height.
3. Tighten the fasteners (2).

How To Prepare The Engine

NOTE: The engine was shipped from the factory filled with oil. Check the level of the oil. Add oil as needed.



WARNING: Follow the engine manufacturer's instructions for the type of fuel and oil to use. Always use a safety fuel container. Do not smoke when adding gasoline to the engine. When inside an enclosure, do not fill with gasoline. Before you add fuel, stop the engine. Let the engine cool for several minutes.

Check the oil. See the engine manufacturer's instructions for the type of fuel and oil to use. Before you use the unit, read the information on safety, operation, maintenance, and storage.

Important! Before You Start Operating

- Check the fasteners. Make sure all fasteners are tight.
- On electric start models, the unit was shipped with the starter cord plugged into the engine. Before operating, unplug the starter cord from the engine.

OPERATION

NOTE: Illustrations begin on page 2.

Know Your Snow Thrower (Figure 2)

Read this Instruction Book and safety rules before operation the snow thrower. Compare the illustration with your snow thrower to familiarize yourself with the location of various controls and adjustments.

Traction Drive Lever (1) – Select the forward or reverse direction of travel.

Crank Assembly (2) – Changes the direction of the discharge chute.

Discharge Chute (3) – Changes the distance the snow is thrown.

Auger Drive Lever (5) – Starts and stops the auger and impeller (snow gathering and throwing).

Speed Shift Lever (6) – Selects the speed of the snow thrower.

Height Adjust Skid (7) – Adjusts the ground clearance of the auger housing.

Ignition Key (8) – Must be inserted to start the engine.

Primer Button (9) – Injects fuel directly into the carburetor for fast starts in cold weather.

Electric Start Button (10) – On electric start models, used to start the engine.

Switch Box (11) – On electric start models, used to attach a 220 volt electric power cord.

Recoil Starter Handle (12) – Use to manually start the engine.


Throttle Control (13) – Controls the speed of the engine.


Choke Control (14) – Use to start a cold engine.

Drift Cutters (18) – (if equipped) Cuts a path through snow higher than the auger housing.

Shear Bolts (19) – To protect the machine, special shear bolts are designed to break if an object becomes lodged in the auger housing. The use of a harder bolt will destroy the protection provided by the shear bolt.

How To Control The Discharge Of The Snow

 **WARNING: Never direct the discharge of snow toward bystanders.**

 **WARNING: Always stop the engine before unclogging the discharge chute or the auger housing and before leaving the snow thrower.**

1. (Figure 2) Turn the **crank assembly (2)** to change the discharge direction of the snow.
2. (Figure 11) Loosen the **wing knob (1)** on the **chute deflector (2)**.
3. Move the **chute deflector (2)** up for more distance or down for less distance.
4. Tighten the **wing knob (1)**.

How To Stop The Snow Thrower (Figure 2)

1. To stop discharging snow, release the **auger drive lever (5)**.
2. To stop the wheels, release the **traction drive lever (1)**.
3. To stop the engine, push the **throttle control lever (13)** to off and remove the **ignition key (8)**.

How To Go Forward or Backward (Figure 2)

1. To change the ground speed, first release the **traction drive lever (1)** and then move the **speed shift lever (6)** to the desired speed.
2. Ground speed is determined by snow conditions. Select the speed by moving the **speed shift lever (6)** into the appropriate notch on the shift lever plate.


Speed 1, 2	Wet, Heavy
Speed 3	Light
Speed 4	Very Light
Speed 5, 6	Transport only

3. To go forward, engage the **traction drive lever (1)**. Maintain a firm hold on the handle as the snow thrower starts to move forward. Guide the snow thrower by moving the handle either left or right. Do not attempt to push the snow thrower.
4. To go backward, release the **tractor drive lever (1)**.
5. Move the **speed shift lever (6)** into either first or second reverse.
6. Engage the **traction drive lever (1)**.

IMPORTANT: Do not move the speed shift lever (6) while the traction drive lever (1) is engaged.

How To Throw Snow (Figure 2)

1. Engage the **auger drive lever (5)**.
2. To stop throwing snow, release the **auger drive lever (5)**.

 **WARNING: The operation of any snow thrower can result in foreign objects being thrown into the eyes, which can result in severe eye damage. Always wear safety glasses or eye shields while operating the snow thrower. We recommend standard safety glasses or use a wide vision safety mask over your glasses.**

How To Use The Wheel Lockout Pin (Figure 12)

1. The left hand wheel is secured to the axle with a **klick pin (1)**. This unit was shipped with this **klick pin (1)** through the wheel hole in the **locked position (2)**.
2. For ease of maneuverability in light snow conditions, change the **klick pin (1)** to an **unlocked position (3)**.
3. Disconnect the **klick pin (1)** from the wheel **locked position (2)**. Push the **klick pin (1)** through the unlocked axle hole only. The unit is now in the single wheel drive **unlocked position (3)**.

Before Starting The Engine

1. Before you service or start the engine, familiarize yourself with the snow thrower. Be sure you understand the function and location of all controls.
2. Check the tension of the clutch cable before starting the engine. See "How To Adjust The Clutch Cable" in the Maintenance section of this manual.
3. Make sure that all fasteners are tight.
4. Make sure the height adjust skids are properly adjusted. See "How To Adjust The Height Of The Skids" in the Maintenance section of this manual.
5. Check the air pressure in the tires. The correct air pressure is 14 PSI (1 BAR) to 17 PSI (1.25 BAR). Do not exceed the maximum amount of air pressure shown on the side of the tire.


How To Stop The Engine (Figure 2)

To stop the engine, move the **throttle control (3)** to the stop position and remove the **ignition key (8)**. Keep the **ignition key (8)** in a safe place. The engine will not start without the **ignition key (8)**.

How To Start The Engine (Figure 2)

Models equipped with an Electric Starter

NOTE: An electric starter kit can be added to recoil start engines. Electric starter kits are available from your nearest authorized service center.

 **WARNING: The starter is equipped with a three-wire power cord and plug and is designed to operate on 220 volt A.C. household current. The power cord must be properly grounded at all times to avoid the possibility of electrical shock which can injure the operator. Carefully follow all instructions in the "How To Start The Engine" section. Make sure that your house wiring is a three-wire grounded system. If you are not sure, ask a licensed electrician. If your house wire system is not a three-wire grounded system, do not use this electric starter under any conditions. If your system is grounded but a three-hole grounded receptacle is not available to start the engine, have a three-hole grounded receptacle installed by a licensed electrician. To connect a 220 volt A.C. power cord, always connect the power cord to the switch box (11) on the engine first. Then, plug the other end into the three-hole grounded receptacle. When disconnecting the power cord, always unplug the end from the three-hole grounded receptacle first.**

How To Start A Cold Engine (Figure 2)

1. Check the engine oil.
2. Fill the fuel tank with regular unleaded petrol. See "How To Prepare The Engine".
3. Make sure the **traction drive lever (1)** and the **auger drive lever (5)** are in the disengaged (released) position.
4. Move the **throttle control (13)** to the fast position.
5. Insert the **ignition key (8)** into the ignition slot. Make sure the **ignition key (8)** snaps into place. **Do not turn the ignition key (8)**. Remove the extra ignition key and keep in a safe place.
6. Move the **choke control (14)** to the full choke position.
7. (**Electric Start**) Connect the power cord to the **switch box (11)** located on the engine.
8. (**Electric Start**) Plug the other end of the power cord into a three-hole, grounded 220 VOLT, A.C. receptacle. (See the WARNING in this section).
9. Push the **primer button (9)**. Every time you push the **primer button (9)**, wait two seconds. For the number of times required to push the **primer button (9)**, see the engine manufacturer's instructions.
10. (**Electric Start**) Push on the **electric start button (10)** until the engine starts. Do not crank for more than 10 seconds at a time. The electric starter is thermally protected. If the electric starter overheats, it will automatically stop and can only be restarted when it has cooled to a safe temperature. A wait of about 5 to 10 minutes is required to allow the electric starter to cool.
11. (**Recoil Start**) Rapidly pull the **recoil starter handle (12)**. Do not allow the **recoil starter handle (12)** to snap back. Slowly return the **recoil starter handle (12)**.

12. If the engine does not start in 5 or 6 tries, See the "Trouble Shooting Chart" instructions.
13. **(Electric Start)** When the engine starts, release the **electric start button (10)** and move the **choke control (14)** to 1/2 choke position. When the engine runs smoothly, move the **choke control (14)** to the off position.
14. **(Electric Start)** First disconnect the power cord from the three-hole receptacle. Then, disconnect the power cord from the **switch box (11)**.
NOTE: In temperatures below 0°F, allow the engine to warm up for several minutes before blowing snow.
15. When throwing snow, always run the engine with the **throttle control (13)** in the fast position.



WARNING: Never run the engine indoors or in enclosed, poorly ventilated areas. Engine exhaust contains carbon monoxide, an odorless and deadly gas. Keep hands, feet, hair and loose clothing away from any moving parts located on the engine or the snow thrower. The temperature of muffler and nearby areas may exceed 150°F. Avoid these areas.

How To Start A Warm Engine (Figure 2)

If an engine has been running and is still warm, leave the **choke control (14)** in the off position and do not push the **primer button (9)**. If the engine fails to start, follow the instructions "How To Start A Cold Engine".

NOTE: Do not use the primer button (9) to start a warm engine.

How To Start An Engine With A Frozen Electric Starter (Figure 2)

If the electric starter is frozen and will not turn the engine, follow the instructions below.

1. Pull out the **recoil starter handle (12)** as far as possible.
2. Quickly release the **recoil starter handle (12)**. Allow the **recoil starter handle (12)** to snap back against the recoil starter.

If the engine still fails to start, repeat the two previous steps until the engine starts. Then, continue with the directions "How To Start A Cold Engine".

To help prevent the possible freeze-up of the recoil starter and of the engine controls, proceed as follows after each snow removal job.

1. With the engine running, quickly pull the **recoil starter handle (12)** three or four times with a continuous full arm stroke. This will produce a loud clattering sound that is not harmful to the engine or starter.
2. Stop the engine. Wipe all snow and moisture from the carburetor cover, control levers and cables. Also move the **throttle control (13)**, **choke control (14)**, and **recoil starter handle (12)** several times.

How To Remove Snow or Debris From The Auger Housing (Figure 2)



WARNING: Do not attempt to remove snow or debris that may become lodged in auger housing without taking the following precautions.

1. Release the **auger drive lever (5)**.
2. Move the **throttle control (13)** to the stop position.
3. Remove (do not turn) the **ignition key (8)**.
4. Disconnect the spark plug wire.

5. Do not place your hands in the **auger housing (4)** or the **discharge chute (3)**. Use a pry bar to remove any snow or debris.

Snow Throwing Tips

1. For maximum snow thrower efficiency, change the ground speed, NEVER change the engine speed. The engine is designed to deliver maximum performance at full throttle and must be run in the fast position at all times. In deep, freezing, or wet snow, reduce forward speed. If the wheels slip, also reduce forward speed.
2. Most efficient snow throwing is accomplished when the snow is removed immediately after it falls.
3. For complete snow removal, slightly overlap each previous path.
4. Whenever possible, discharge the snow down wind.
5. For normal usage, set the skids so that the scraper bar is 1/8" above the skids. For extremely hard-packed snow surfaces, adjust the skids upward so that the scraper bar touches the ground.
6. Rocks and gravel must not be picked up and thrown by the machine. On gravel or crushed rock surfaces, set the skids at 1-1/4 inch below the scraper bar. See "How To Adjust The Height Of The Skids" in the Maintenance section.
7. After each snow throwing job, allow the engine to idle for a few minutes. The snow and accumulated ice will melt off the engine.
8. Clean the snow thrower after each use.
9. Remove ice, snow and debris from the entire snow thrower. Flush with water to remove all salt or other chemicals. Wipe snow thrower dry.

MAINTENANCE CHART


CUSTOMER RESPONSIBILITIES

SERVICE RECORDS Fill in dates as you complete regular service.	Before Each Use	First 2 Hours	Every 5 Hours	Every 10 Hours	Every 25 Hours	Each Season	Before Storage	SERVICE DATES
Check Engine Oil Level	√		√			√		
Change Engine Oil					√	√		
Check And Tighten All Screws and Nuts	√					√		
Check Spark Plug					√	√		
Adjust Drive Belt		√			√	√		
Check Fuel	√							
Drain Fuel							√	
Check Auger Clutch Cable Adjustment (See Cable Adjustment)		√				√		
Check Traction Clutch Cable Adjustment (See Cable Adjustment)		√				√		
Lubricate All Pivot Points				√			√	
Lubricate Auger Shaft (See Shear Bolt Replacement)				√			√	
Lubricate Drive Chains and Sprockets				√			√	

MAINTENANCE

NOTE: Illustrations begin on page 2.

Use the following maintenance section to keep your unit in good operating condition. All the maintenance information for the engine is in the engine manufacturer's instructions. Before you start the engine, read this book.

 **WARNING: Before you make an inspection, adjustment (except carburettor), or repair, disconnect the wire from the spark plug.**

General Recommendations

The warranty on this snow thrower does not cover items that have been subjected to operator abuse or negligence. To receive full value from the warranty, the operator must maintain the snow thrower as instructed in this manual.

Some adjustments must be made periodically to properly maintain the snow thrower.

After Each Use

- Check for any loose or damaged parts.
- Tighten any loose fasteners.
- Check and maintain the auger.
- Check controls to make sure they are functioning properly.
- If any parts are worn or damaged, replace immediately.

F-031065L

All adjustments in the **Maintenance** section of this manual should be checked at least once each season.

As Required

The following adjustment should be preformed more than once each season.

1. Adjust the auger drive belt after the first 2 to 4 hours, again at mid-season, and twice each season thereafter. See "How To Adjust The Auger Drive Belt" in the Maintenance section.

Lubrication

Every 10 Hours (Figure 13)

1. Lubricate the **Zerk fittings (1)** every ten hours with a grease gun.
2. Each time a shear bolt is replaced, the auger shaft must also be greased.
3. Lubricate all pivot points.

Every 25 Hours

Chute Rotation Gear

(Figure 5) Lubricate the **chute rotation gear (1)** with automotive type oil.

Chains

1. (Figure 2) Move the **speed shift lever (6)** to first gear.

2. Remove the gas from the gas tank. Stand the snow thrower up on the front end of the **auger housing (4)**.



WARNING: Drain the gasoline outdoors, away from fire or flame.

3. (Figure 20) Loosen the **bolts (3)** on each side of the **bottom panel (2)**.
4. Remove the **bottom panel (2)**.
5. (Figure 14) Lubricate the **chains (5)** with a chain type lubricant.
6. Wipe the **hexshaft and sprockets (6)** with 5W30 motor oil.

NOTE: If grease or oil come in contact with the disc drive plate (1) or the friction wheel (3), damage can result. Clean off any oil or grease with a alcohol base solvent.

7. (Figure 20) Install the **bottom panel (2)**.
8. Tighten the **bolts (3)** on each side of the **bottom panel (2)**.

Items Not To Lubricate (Figure 14)

1. Do not lubricate the **hex shaft and sprockets (6)**. All bearings and bushings are life-time lubricated. For storage, put a slight amount of 5W-30 motor oil on a cloth and wipe the **hex shaft and sprockets (6)** to prevent rust.
2. If grease or oil comes in contact with the **disc drive plate (1)** or the **friction wheel (3)**, the **friction wheel (3)** can be damaged. Make sure to thoroughly clean the **disc drive plate (1)** and the **friction wheel (3)**.

CAUTION: Any greasing or oiling of the above components can cause contamination of the friction wheel (3). If the disc drive plate (1) or the friction wheel (3) become contaminated with grease or oil, damage to the friction wheel will result.

- The auger gear case is lubricated at the factory and does not require additional lubrication. If for some reason the lubricant leaks out, have the auger gear case checked by a factory authorized service center.

How To Adjust The Height Of The Skids (Figure 2)

This snow thrower is equipped with two height adjustable skids (7). These skids elevate the front of the snow thrower. For normal hard surfaces, such as a paved driveway or walk, adjust the skids as follows.

- Put the snow thrower on a level surface.
- Make sure both tires are equally inflated. The correct air pressure is 14 PSI (1 BAR) to 17 PSI (1.25 BAR). Do not exceed the maximum amount of air pressure shown on the side of the tire.
- Put the extra shear bolts (found in the parts bag) under each end of the scraper bar (15) next to the adjustable skids (7).
- Loosen the mounting nuts (16) that hold the adjustable skids (7). To bring the front of the snow thrower down, raise each adjustable skids (7). Tighten the mounting nuts (16).

NOTE: For rocky or uneven surfaces, raise the front of the snow thrower by moving the adjustable skids (7) down.



WARNING: Be certain to maintain proper ground clearance for the area to be cleared. Objects such as gravel, rocks or other debris, if struck by the impeller, can be thrown with sufficient force to cause personal injury, property damage or damage to the snow thrower.

How To Adjust The Scraper Bar (Figure 2)

After considerable use, the scraper bar (15) will become worn. The scraper bar (15), in conjunction with the skids, must be adjusted to allow 1/8 inch clearance between the scraper bar (15) and the sidewalk or area to be cleared.

- Put the snow thrower on a level surface.
- Make sure both tires are equally inflated. The correct air pressure is 14 PSI (1 BAR) to 17 PSI (1.25 BAR). Do not exceed the maximum amount of air pressure shown on the side of the tire.
- Loosen the carriage bolts and nuts that hold the scraper bar (15) to the auger housing (4).
- Adjust the scraper bar (15) to allow 1/8 inch clearance between the scraper bar (15) and the sidewalk or area to be cleared.
- Tighten the carriage bolts and nuts. Make sure that the scraper bar (15) is parallel with the sidewalk or area to be cleared.
- To extend the life of the scraper bar (15), remove and reverse the mounting of the scraper bar (15).

F-031065L


How To Check And Adjust The Cables

The traction drive cable and the auger drive cable are adjusted at the factory. During normal use, a cable can become stretched and must be checked and adjusted as follows.

How To Check The Cables (Figure 15)

- To check for correct adjustment, disconnect the "Z" fitting (1) from the drive lever (2).
- Move the drive lever (2) forward until the drive lever (2) is contacting the plastic bumper (3).
- The control cable is correctly adjusted if the center of the "Z" fitting (1) is aligned (4) with the hole in the drive lever (2) and there is no droop in the cable.

How To Adjust The Auger Drive Cable

- Remove the gas from the gas tank. Stand the snow thrower up on the front end of the auger housing.
-  **WARNING:** Drain the gasoline outdoors, away from fire or flame.
- (Figure 15) Disconnect the "Z" fitting (1) from the drive lever (2).
 - (Figure 16) Pull the spring cover up to expose the spring (5). Push the cable (6) through the spring (5) to expose the square end (7) on the cable (6).
 - Hold the square end (7) with pliers and adjust the locknut (8) in or out until the excess slack is removed.
 - Pull the cable (6) back through the spring (5).
 - (Figure 15) Connect the "Z" fitting (1) to the drive lever (2).

NOTE: When the auger drive belt is adjusted or replaced, check and adjust the cable.

How To Adjust The Traction Drive Cable

- Remove the gas from the gas tank. Stand the snow thrower up on the front end of the auger housing.



WARNING: Drain the gasoline outdoors, away from fire or flame.

- (Figure 20) Loosen the bolts (3) on each side of the bottom panel (2).
- Remove the bottom panel (2).
- (Figure 15) Disconnect the "Z" fitting (1) from the traction drive lever (2).
- (Figure 25) Slide the cable boot (3) off the cable adjustment bracket (4).
- Push the bottom of the traction control cable (5) through the cable adjustment bracket (4) until the "Z" hook (6) can be removed.
- Remove the "Z" hook (6) from the cable adjustment bracket (4). Move the "Z" hook (6) down to the next adjustment hole.
- Pull the traction control cable (5) up through the cable adjustment bracket (4).
- Put the cable boot (3) over the cable adjustment bracket (4).
- (Figure 15) Install the "Z" fitting (1) to the traction drive lever (2).

- (Figure 14) To check the adjustment, depress the drive lever and check the length "A" of the drive spring (7). In correct adjustment, the length "A" of the drive spring (7) is as follows:
minimum 3 inches (76 mm.)
maximum 3-3/8 inches (85 mm.).

- (Figure 20) Install the bottom panel (2).

- Tighten the bolts (3) on each side of the bottom panel (2).

How To Adjust The Belts

The belts will stretch during normal use. If you need to adjust the belts due to wear or stretch, proceed as follows.

How To Adjust The Auger Drive Belt

If the snow thrower will not discharge snow, check the adjustment of the auger drive cable. See "How To Check And Adjust The Cables" in the Maintenance section. If the adjustment is correct, then check the condition of the auger drive belt. If the auger drive belt is damaged, replace the auger drive belt. See "How To Replace The Belts" in the Maintenance section. If the auger drive belt is loose, adjust as follows.

- Disconnect the spark plug wire.
- (Figure 17) Remove screw (2) from belt cover (1). Remove the belt cover (1).
- (Figure 18) Loosen the nut (2) on the idler pulley (3). Move the idler pulley (3) 1/8 inch toward the auger drive belt (4).
- Tighten the nut (2).
- (Figure 19) Depress the auger drive lever. Check the tension on the auger drive belt (4). In correct adjustment, the auger drive belt (4) will deflect 1/2 inch (5) with moderate pressure. If the adjustment is not correct, repeat the adjustment.
- (Figure 17) Install the belt cover (1). Tighten screw (2).
- Check the adjustment of the auger drive cable. See "How To Check And Adjust The Cables" in the Maintenance section.
- Attach the spark plug wire.

Traction Drive Belt

The traction drive belt has constant spring pressure and does not require an adjustment. If the traction drive belt is slipping, replace the belt. See "How To Replace The Belts" in the Maintenance section.

How To Replace The Belts

The drive belts are of special construction and must be replaced with original factory replacement belts available from your nearest authorized service center.

Some steps require the assistance of a second person.

How To Remove the Auger Drive Belt

If the auger drive belt is damaged, the snow thrower will not discharge snow. Replace the damaged belt as follows.

- Disconnect the spark plug wire.
- (Figure 20) Loosen the bolts (3) on each side of the bottom panel (2).
- Remove the bottom panel (2).
- (Figure 17) Remove screw (2) from belt cover (1). Remove the belt cover (1).

5. (Figure 18) Loosen the **belt guide (9)**. Pull the **belt guide (9)** away from the **auger drive pulley (10)**.
6. Pull the **idler pulley (3)** away from the **auger drive belt (4)**.
7. Remove the old **auger drive belt (4)** from the **auger drive pulley (10)** and from the **engine pulley (11)**. Replace the **auger drive belt (4)** with an original factory replacement belt available from an authorized service center.
8. Install the new **auger drive belt (4)** onto the **auger drive pulley (10)** and onto **pulley (11)**.
9. Adjust the **auger drive belt (4)**. See "How To Adjust The Auger Drive Belt" in the Maintenance section.
10. Adjust the **belt guide (9)**. See "How To Adjust The Belt Guide" in the Maintenance section.
11. (Figure 17) Install the **belt cover (1)**. Tighten **screw (2)**.
12. Check the adjustment of the cables. See "How To Check And Adjust The Cables" in the Maintenance section.
13. Connect the spark plug wire.

How To Remove the Traction Drive Belt

If the snow thrower will not move forward, check the traction drive belt for wear or damage. If the traction drive belt is worn or damaged, replace the belt as follows.

1. Disconnect the spark plug wire.
2. Remove the auger drive belt. See "How To Remove The Auger Drive Belt" in the Maintenance section.
3. (Figure 18) Remove the **e-ring (17)** from one end of the **swing plate axle rod (18)**. Remove the **swing plate axle rod (18)** to allow the the swing plate to pivot forward.
4. Remove the **traction drive spring (16)**.
5. Remove the old **traction drive belt (13)** from the **traction drive pulley (14)** and from the **engine pulley (15)**. Replace the **traction drive belt (13)** with an original factory replacement belt available from an authorized service center.
6. Install the new **traction drive belt (13)** onto the **traction drive pulley (14)** and onto **engine pulley (15)**.
7. Make sure the **traction drive idler pulley (12)** is properly aligned with the **traction drive belt (13)**.
8. Attach the **traction drive spring (16)**.
9. Install the **swing plate axle rod (18)** and secure with the **e-ring (17)** removed earlier.
10. (Figure 28) The bottom of the **swing plate (20)** must be positioned between the **alignment tabs (19)**. Make sure the **swing plate (20)** is properly secured.
NOTE: If the drive will not engage after the traction drive belt has been replaced, then check to make sure that the swing plate is positioned between the alignment tabs (19).
11. (Figure 18) Install and adjust the **auger drive belt (4)**. See "How To Remove The Auger Drive Belt" in the Maintenance section.
12. Adjust the **belt guide (9)**. See "How To Adjust The Belt Guide" in the Maintenance section.
13. (Figure 20) Install the **bottom panel (2)**.

14. Tighten the **bolts (3)** on each side of the **bottom panel (2)**.
15. (Figure 17) Install the **belt cover (1)**. Tighten **screw (2)**.
16. Check the adjustment of the cables. See "How To Check And Adjust The Cables" in the Maintenance section.
17. Connect the spark plug wire.


How To Adjust The Belt Guide

1. Disconnect spark plug wire.
2. (Figure 17) Remove **screw (2)**. Remove the **belt cover (1)**.
3. (Figure 2) Engage the **auger drive lever (5)**.
4. (Figure 21) Measure the distance between the **belt guide (2)** and **auger drive belt (3)**. The **correct distance (4)** is 1/8 inch (3.175 mm).
5. If an adjustment is necessary, loosen the mounting bolt for the **belt guide (2)**. Move the **belt guide (2)** to the **correct position (4)**. Tighten the mounting bolt for the **belt guide (2)**.
6. (Figure 17) Install the **belt cover (1)**. Tighten **screw (2)**.
7. Connect the spark plug wire.

How To Adjust Or Replace The Friction Wheel

How To Check The Friction Wheel

If the snow thrower will not move forward, check the traction drive belt, the traction drive cable or the friction wheel. If the friction wheel is worn or damaged, it must be replaced. See "How To Replace the Friction Wheel" in this section. If the friction wheel is not worn or damaged, check as follows.

1. (Figure 2) Remove the gas from the gas tank. Stand the snow thrower up on the front end of the **auger housing (4)**.
 **WARNING: Drain the gasoline outdoors, away from fire or flame.**
2. Disconnect the spark plug wire.
3. (Figure 20) Remove the **bolts (1)** on each side of the **bottom panel (2)**.
4. Loosen the **bolts (3)** on each side of the **bottom panel (2)**.
5. Remove the **bottom panel (2)**.
6. (Figure 2) Position the **shift speed lever (6)** in the lowest forward speed.
7. (Figure 22) Note the position of the **friction wheel (4)**. The correct distance "A" from the right side of the **friction wheel (4)** to the outside of the motorbox is as follows:

Tire Size	Distance "A"
12 and 13 inch	4-1/8" (10.5 cm.)
16 inch	4-5/16" (10.95 cm.)

 If the **friction wheel (4)** is not in the correct position, adjust as follows.


How To Adjust The Friction Wheel

1. (Figure 8) Loosen the **nut (9)** on the **speed control rod (2)**.
2. Remove the **fasteners (8)** to disconnect the **ball joint (6)** from the **shift yoke assembly (7)**. To lengthen or shorten the **speed control rod (2)**, turn the **adapter (10)** to obtain the correct friction wheel position.

3. Assemble the **ball joint (6)** to the **shift yoke assembly (7)** with the **fasteners (8)**.
4. Tighten **nut (9)** on the **speed control rod (2)**.
5. Make sure the **speed select lever (1)** functions correctly. Move the **speed select lever (1)** through all speeds.
6. (Figure 20) Install the **bottom panel (2)**.
7. Tighten the **bolts (3)** on each side of the **bottom panel (2)**.
8. Install the **bolts (1)** on each side of the **bottom panel (2)**.

How To Replace The Friction Wheel

If the friction wheel is worn or damaged, the snow thrower will not move forward. The friction wheel must be replaced as follows.

1. (Figure 2) Remove the gas from the gas tank. Stand the snow thrower up on the front end of the **auger housing (4)**.
 **WARNING: Drain the gasoline outdoors, away from fire or flame.**
2. Disconnect the spark plug wire.
3. (Figure 26) Remove the fasteners that secure the **right wheel (10)**. Remove the **right wheel (10)** from the **axle (11)**.
4. Loosen the **bolts (3)** on each side of the **bottom panel (2)**.
5. Remove the **bottom panel (2)**.
6. (Figure 27) Remove the fasteners that secure the **drive sprocket (12)** to the **axle (11)**.
7. Remove the left wheel, **axle (11)**, and **drive sprocket (12)**.
8. (Figure 28) Remove the four **bolts (16)** that hold the **bearings (7)** on each side of the **hex shaft (8)**.
9. (Figure 29) Remove the **hex shaft (8)** and **bearings (7)**.
NOTE: Take special note of the position of the washers (17) .
10. (Figure 24) Remove the three **fasteners (4)** that hold the **friction wheel (5)** to the **hub (6)**.
11. (Figure 24) Remove the **friction wheel (5)** from the **hub (6)**. Slip the **friction wheel (5)** off the **hex shaft (8)**.
12. Assemble the new **friction wheel (5)** onto **hub (6)** with the fasteners removed earlier.
13. (Figure 29) Install the **hex shaft (8)** and **bearings (7)** with the four bolts removed earlier.
Make sure the washers (17) are properly installed in the original position. Also, make sure the two washers (13) are properly aligned with the actuator arms (14).
14. Make sure the **hex shaft (8)** turns freely.
15. (Figure 27) Install the left wheel, **axle (11)**, and **drive sprocket (12)** with the fasteners removed earlier. Install the **chain (15)** onto the **drive sprocket (12)**.
16. Check the adjustment of the friction wheel. See "How To Adjust The Friction Wheel" in this section.
17. Make sure the friction wheel and the disc drive plate are free from grease or oil.
18. (Figure 20) Install the **bottom panel (2)**.
19. Tighten the **bolts (3)** on each side of the **bottom panel (2)**.
20. Install the **right wheel (10)** to the **axle (11)** with the fasteners removed earlier.
21. Connect the spark plug wire.

How To Replace the Auger Shear Bolt

The augers are secured to the auger shaft with special shear bolts. These shear bolts are designed to break and protect the machine if an object becomes lodged in the auger housing. Do not use a harder bolt as the protection provided by the shear bolt will be lost.



WARNING: For safety and to protect the machine, use only original equipment shear bolts.

To replace a broken shear bolt, proceed as follows. Extra shear bolts were provided in the assembly parts bag.

1. (Figure 2) Move the **throttle control (13)** to the stop position. Disengage all controls.
2. Disconnect the spark plug wire. Make sure all moving parts have stopped.
3. (Figure 13) Lubricate the auger shaft **Zerk fitting (1)**, if equipped, with a grease gun.
4. (Figure 23) Align the hole in the auger with the hole in the auger shaft. Install the new **shear bolt (2)**, **spacer (3)**, and **locknut (4)**.
5. Connect the spark plug wire.

How To Prepare The Snow Thrower For Storage



WARNING: Do not remove gasoline while inside a building, near a fire, or while you smoke. Gasoline fumes can cause an explosion or a fire.

1. Drain the fuel tank.
2. Let the engine run until it is out of gasoline.
3. Drain the oil from the warm engine. Fill the engine crankcase with new oil.

4. Remove the spark plug from the cylinder. Pour one ounce of oil into the cylinder. Slowly pull the recoil-start grip so that the oil will protect the cylinder. Install a new spark plug in the cylinder.
5. Thoroughly clean the snow thrower.
6. Lubricate all lubrication points. See the Maintenance section.
7. Be sure that all nuts, bolts and screws are securely fastened. Inspect all visible moving parts for damage, breakage and wear. Replace if necessary.
8. Cover the bare metal parts of the blower housing, auger, and the impeller with spray rust preventative lubricant.
9. Put the unit in a building that has good ventilation.
10. If the machine must be stored outdoors, block up the snow thrower to be sure the entire machine is off the ground.
11. Cover the snow thrower with a suitable protective cover that does not retain moisture. Do not use plastic.

How To Order Replacement Parts

The replacement parts are shown either on the back pages of this Instruction Book or in a separate Parts List Book.

Use only manufacturer's authorized or approved replacement parts. The letter placed on the end of the part number denotes the type of finish for the part, C for chrome, Z for zinc, a PA for purchased assembly. It is important that you include this when ordering a part. Do not use attachments or accessories not specifically recommended for this unit. In order to obtain

proper replacement parts you must supply the model number (see nameplate).

Replacement parts, except for the engine, transmission, transaxle or differential, are available from the store where the product was purchased, a service shop recommended by the store or from a "Murray, Inc. Central Parts Distributor" listed on the back page of this Instruction Book.

If you are unable to obtain parts or service in the manner outlined above, then contact:

HAYTER LIMITED,
Service Department,
Spellbrook,
Bishop's Stortford,
Hertfordshire. CM23 4BU.

MURRAY, INC.
International Sales
P.O. Box 268
Brentwood, Tennessee USA 37024
1-800-251-8007
Fax (615) 373-6633 Collect telephone calls will not be accepted.

Replacement parts for the engine, transaxle, or transmission, are available from the manufacturer's authorized service centre found in the yellow pages of the telephone directory. Also, see the individual engine or transmission warranties to order replacement parts.

When ordering the following information is required:

- (1) The Model Number
- (2) Serial Number
- (3) Part Number
- (4) Quantity

TROUBLE SHOOTING CHART

TROUBLE	CAUSE	CORRECTION
Difficult starting	Defective spark plug.	Replace spark plug.
	Water or dirt in fuel system.	Use carburetor bowl drain to flush and refill with fresh fuel.
Engine runs erratic	Blocked fuel line, empty gas tank, or stale gasoline	Clean fuel line; check fuel supply; add fresh gasoline
Engine stalls	Unit running on CHOKE.	Set choke lever to RUN position.
Engine runs erratic; Loss of power	Water or dirt in fuel system.	Use carburetor bowl drain to flush and refill with fresh fuel.
Excessive vibration	Loose parts: damaged impeller	Stop engine immediately and disconnect spark plug wire. Tighten all bolts and make all necessary repairs. If vibration continues, have the unit serviced by a competent repairman.
Unit fails to propel itself	Drive belt loose or damaged.	Replace drive belt.
	Incorrect adjustment of traction drive cable	Adjust traction drive cable.
	Worn or damaged friction wheel.	Replace friction wheel.
Unit fails to discharge snow	Auger drive belt loose or damaged.	Adjust auger drive belt; replace if damaged.
	Auger control cable not adjusted correctly.	Adjust auger control cable.
	Shear bolt broken	Replace shear bolt
	Discharge chute clogged.	Stop engine immediately and disconnect spark plug wire. Clean discharge chute and inside of auger housing.
	Foreign object lodged in auger	Stop engine immediately and disconnect spark plug wire. Remove object from auger.

SOMMAIRE

INFORMATIONS SUR LE PRODUIT	19
INFORMATIONS DESTINÉES AU PROPRIÉTAIRE	19
PICTOGRAMMES INTERNATIONAUX	20
MONTAGE	22
FONCTIONNEMENT	23
MAINTENANCE	25
TABLEAU DE MAINTENANCE	25
TABLEAU DE DEPANNAGE	29

GARANTIE LIMITÉE DE DEUX ANS

Murray, Inc. garantit auprès de l'acheteur initial que cette machine est dépourvue de défauts matériels et de construction sous utilisation et entretien normaux pendant une durée de **deux (2) ans** à partir de la date d'acquisition ; cette garantie cependant ne couvre pas les moteurs, accessoires (tels que moteurs électriques) et pièces d'usure normale (exceptées les pièces mentionnées ci-dessous) étant donné que les sociétés fabriquant ces articles offrent leurs propres garanties et fournissent des réparations par le biais de leurs centres de maintenance spécialisés agréés. Pour plus d'informations, se reporter aux garanties couvrant ces pièces particulières. Si vous ne savez pas si votre machine contient ou est équipée d'une ou plusieurs de ces pièces, adressez-vous à votre revendeur avant l'acquisition. Sous réserve des modalités et conditions de cette garantie limitée, nous nous engageons à réparer ou remplacer, à notre discrétion et gratuitement auprès de l'acheteur initial, toute pièce couverte par cette garantie limitée jusqu'à l'expiration de la garantie applicable.

Les pièces d'usure normale comprennent les courroies d'entraînement, les fraises hélicoïdales, les goupilles de cisaillement, les pneumatiques, et les phares. Ces pièces sont garanties sans défaut matériel ou de construction dans l'état où elles ont été livrées avec le produit. Toute réclamation concernant la réparation ou le remplacement d'une pièce d'usure normale doit être effectuée dans les trente (30) jours suivant la date d'acquisition. Aucune réclamation ne sera honorée

concernant des dommages provenant de la simple utilisation, d'un usage abusif, ou d'une mauvaise utilisation. Cette **garantie Murray, Inc. de deux (2) ans** constitue votre recours exclusif ; cependant, cette garantie est nulle ou ne s'applique pas aux machines ayant été modifiées, endommagées, fait l'objet d'une utilisation abusive, ou utilisées lors d'une location ou à des fins commerciales

et/ ou professionnelles (autre que domestiques). Votre garantie ne couvre pas les réglages mécaniques mineurs non dus à des défauts matériels de fabrication. Consultez votre manuel d'utilisation pour obtenir une assistance concernant ces réglages.

Pour effectuer une réclamation sous la **garantie limitée de deux (2) ans** Murray, Inc., retourner la machine, (ou, suivant notre autorisation préalable, la pièce défectueuse) accompagnée de votre preuve d'achat, auprès du Centre de maintenance agréé le plus proche de chez vous. Pour localiser le centre de maintenance le plus proche, contactez le Distributeur de pièces régional de votre région figurant sur la liste fournie avec votre machine, ou consultez les pages jaunes de votre annuaire téléphonique local. Si vous nous retournez la machine complète, nous réparerons celle-ci. Si nous autorisons seulement le retour de la pièce défectueuse, nous effectuerons soit la réparation de celle-ci, soit son remplacement. Cette **garantie limitée Murray, Inc. de deux (2) ans** vous octroie des droits légaux spécifiques, et vous pouvez également vous prévaloir d'autres droits dont le contenu varie selon l'Etat où ils s'appliquent. **Cette garantie limitée est délivrée en lieu et place de toute garantie stipulée ou tacite, ceci incluant la garantie tacite de commerciabilité et la garantie de fonctionnalité pour une tâche définie.** Si vous souhaitez recevoir des informations supplémentaires concernant cette garantie écrite ou une assistance quant à l'obtention de services de réparation, adressez-vous à :

HAYTER LIMITED,
Service Department,
Spellbrook,
Bishop's Stortford,
Hertfordshire. CM23 4BU.

MURRAY, INC.
International Sales
P.O. Box 268
Brentwood, Tennessee USA 37024
1-800-251-8007
Fax (615) 373-6633

INFORMATIONS SUR LE PRODUIT

Le propriétaire doit être certain que tous les renseignements sur le produit sont inclus avec la tondeuse. Ces renseignements comprennent les MANUELS D'INSTRUCTION, les PIÈCES DE RECHANGE, et les GARANTIES. Ces renseignements doivent être inclus pour s'assurer que les lois d'Etat et les autres lois sont observés.

INFORMATIONS DESTINEES AU PROPRIETAIRE

Ce manuel se dirige aux personnes familiarisées avec ce genre de manipulations mécaniques. La plupart des ouvrages de maintenance ne mentionnent pas toutes les étapes, et cet ouvrage ne fait pas exception. Serrer ou desserrer des attaches sont des manipulations que tout le monde peut effectuer avec une certaine pratique. Lisez et suivez ces instructions avant d'utiliser la tondeuse.

Apprenez à maîtriser l'appareil : si vous comprenez le fonctionnement de ce modèle, vous en obtiendrez les meilleures performances. Au fur et à mesure que vous lisez le manuel, reportez-vous aux illustrations. Sachez repérer l'emplacement des commandes et leur fonction. Afin de prévenir tout risque d'accident, observez les instructions de fonctionnement et les règles de sécurité. Conservez ce manuel pour future référence.

IMPORTANT : De nombreux appareils ne sont pas assemblés et sont vendus démontés dans leur carton d'emballage. Il est alors de la responsabilité du propriétaire de veiller à ce que les instructions de montage présentes dans le manuel soient suivies en toute exactitude. D'autres appareils sont vendus entièrement montés. En ce qui concerne les machines déjà montées, il est de la responsabilité du propriétaire de veiller à ce que la machine soit correctement assemblée. Le propriétaire doit vérifier attentivement la machine en fonction des instructions présentes dans le manuel avant de commencer à utiliser celle-ci.



DANGER : repérez ce symbole qui vous indiquera les précautions de sécurité importantes. Ce symbole signifie : "Attention! Soyez prudent! Vous encourez des risques."

Responsabilité de l'utilisateur

La responsabilité de l'utilisateur est de suivre les instructions ci-dessous.

1. Lire soigneusement ce manuel et suivre les règles indiquées pour un usage de la tondeuse en toute sécurité.
2. Suivre les instructions de montage et de préparation.

3. Inspecter la tondeuse.
4. S'assurer que l'utilisateur de la tondeuse sait bien utiliser les équipements standards et les accessoires.
5. N'utiliser la tondeuse qu'avec les équipements de protection, les écrans et autres dispositifs de sécurité bien en place et en bon état de marche.
6. Procéder aux réglages nécessaires.
7. Entretien la tondeuse avec les pièces de rechange autorisées ou agréées.
8. Veiller à ce qu'un entretien complet soit effectué sur la tondeuse.

Prise de conscience environnementale

- Ne pas remplir le réservoir d'essence du moteur au ras-bord.
- Vider l'essence pendant le remisage hors saison.
- N'utiliser que de l'essence sans plomb.
- Entretien régulièrement le filtre à air.
- Changer l'huile régulièrement. Utiliser de l'huile de grade 5W-30.
- Effectuer un réglage du moteur régulièrement.
- Conserver le matériel en bon état de marche.
- Eliminer l'huile de vidange de façon écologique.

MURRAY™		CE
MODEL NO.:	629108x61D	
SKU No.:		
YYYY MM DD:	_____	
SERIAL NO.:		
	3750 min-1	
	108 kg	
Manufactured in Lawrenceburg, TN 38464, U.S.A.		

Niveaux de vibration déclarés conformes à ceux définis par la directive européenne 98/37/CE.

Niveaux de vibration relevés conformément à la norme

EN 1033;1996 : 28,4 m/s².

Valeurs déterminées sur les bras de la tondeuse en station immobile sur une surface cimentée à un régime de 3750 min⁻¹.

Niveaux de bruit de LWA 111 dB déclarés conformes à ceux définis par la directive européenne 2000/14/CE, Annexe V.

Niveau de pression acoustique à la station de l'utilisateur 96 dB. Résultats à l'oreille obtenus en application de la norme EN ISO 11201.

PICTOGRAMMES INTERNATIONAUX

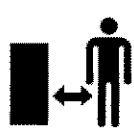
IMPORTANT : les pictogrammes suivants sont situés sur votre appareil ou dans la documentation ci-jointe. Avant de vous servir de la tondeuse, apprenez à reconnaître chaque pictogramme.

Symboles de signalisation de danger



DANGER

Projection d'objets.
Eloigner tout spectateur.



DANGER

Projection d'objets.
Eloigner tout spectateur.



DANGER



IMPORTANT

Lire le manuel de l'utilisateur avant de faire fonctionner cette machine



DANGER

Prévenir les blessures dues à la fraise hélicoïdale en rotation. Ecarter vos mains, pieds, et vêtements.



Niveaux de puissance sonore de 111 dB(A) déclarés conformes à ceux définis par la directive européenne 2000/14/CE.

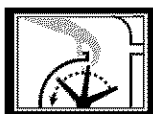


DANGER

surface brûlante



STOP



DANGER

Arrêter le moteur avant de déboucher le déversoir!

Symboles de commandes et de conduite



Lent



Rapide



Démarrage électrique



Démarrage moteur



Moteur en marche



Moteur à l'arrêt



Arrêt moteur



Marche



Arrêt starter



Marche starter



Point mort



Marche avant



Marche arrière



Accélérateur



Bouton d'amorçage



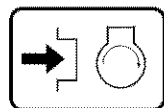
Clé du démarreur



Démarreur hors tension



Démarreur sous tension



Appuyer pour engager le starter électrique



Embrayage



Embrayage de la fraise



Collecteur de la fraise



Déversoir ABAISSE



Déversoir LEVE



Décharge gauche



Décharge droite



Embrayage des roues



Carburant



huile



Mélange essence/huile



Transfert de poids

Lever la manette pour embrayer

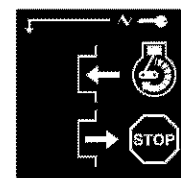


Transfert de poids

Abaisser la manette pour débrayer



Transmission



Clé du démarreur Insérer pour mettre en marche, retirer pour arrêter.

REGLES DE SECURITE A SUIVRE POUR L'UTILISATION DES CHASSE-NEIGE

IMPORTANT : les normes de sécurité requièrent des contrôles de la présence du conducteur pour limiter les risques de blessures. Votre chasse-neige est équipé de ces contrôles. Ne pas tenter de rendre la fonction de contrôle de la présence du conducteur inopérante quelles que soient les circonstances.

Conseils préliminaires

1. Lisez soigneusement le manuel de fonctionnement et les consignes. Familiarisez-vous avec les commandes ainsi qu'avec les modes appropriés d'utilisation de la machine.
2. N'autorisez jamais un enfant ou une personne ignorant ces consignes de sécurité à se servir de la tondeuse.
3. Assurez-vous que toute personne, les enfants en particulier, sont à l'écart du lieu d'utilisation de la tondeuse.
4. User de précautions pour éviter de glisser ou de tomber, surtout lors de la conduite en marche arrière.

Préparation

1. Inspectez à fond le lieu où le matériel doit être utilisé. Enlevez tous paillasons, patins, planches, fils, et autres corps étrangers.
2. Débrayer toutes les commandes avant de démarrer le moteur.
3. Ne pas faire fonctionner la machine sans porter de vêtements d'extérieur appropriés pour l'hiver. Chaussés des chaussures permettant d'améliorer l'adhérence sur surfaces glissantes.
4. Manipuler le carburant avec prudence ; celui-ci est hautement inflammable.
 - a. Utiliser un bidon d'essence approprié.
 - b. Ne jamais retirer le bouchon du réservoir d'essence ou ajouter de l'essence dans un moteur en marche ou un moteur chaud.
 - c. Remplir le réservoir en plein air en usant d'extrêmes précautions. Ne jamais faire le plein à l'intérieur d'un bâtiment.
 - d. Revisser le bouchon soigneusement et essuyer l'essence renversée.
 - e. Ne remisez jamais de l'essence ou le chasse-neige lorsqu'il y a de l'essence dans le réservoir, dans un endroit clos où les émanations pourraient entrer en contact avec une flamme ou une étincelle.
 - f. Vérifier le niveau d'essence avant chaque utilisation, tout en prévoyant de l'espace pour l'expansion de l'essence due au fait que la chaleur du moteur et/ou du soleil peut provoquer l'expansion de l'essence.
5. Pour toutes les machines équipées de moteur à démarrage électrique, utiliser des rallonges de démarrage certifiées CSA/UL. N'utiliser qu'avec une prise de courant ayant été installée conformément aux autorités chargées de l'inspection locale.
6. Régler le chasse-neige de façon à éviter les graviers et les surfaces couvertes de gravats.

7. Ne tentez jamais de faire de quelconques réglages lorsque le moteur est en marche (sauf si spécifiquement indiqué par le fabricant).
8. Laisser le moteur et le chasse-neige s'adapter à la température extérieure avant de commencer à déneiger.
9. Portez toujours des lunettes de sécurité ou un écran pour les yeux lorsque que vous employez le chasse-neige ou lors de réglages ou de réparations, afin de protéger vos yeux de corps étrangers pouvant être projetés par le chasse-neige.

Fonctionnement

1. Ne pas se servir de cette machine lors de la prise de drogues ou d'autres médicaments pouvant causer la somnolence ou diminuer vos capacités à conduire la machine.
2. Ne pas utiliser cette machine si vous êtes dans l'incapacité mentale ou physique de la conduire sans danger.
3. Tenez vos mains et vos pieds à l'écart des parties tournantes. Tenez vous à distance de la goulotte de décharge à tout instant.
4. User de précaution extrême en traversant les allées en gravier, les trottoirs ou les routes. Se tenir en garde face aux dangers dissimulés ou à la circulation routière.
5. Si vous heurtez un corps étranger, coupez le moteur. Retirez le câble de la bougie. Inspectez soigneusement le chasse-neige afin de vérifier s'il y a des dégâts. S'il est endommagé, réparez-le avant de démarrer et de le faire fonctionner à nouveau.
6. Si la machine vibre anormalement, coupez le moteur, et déterminez immédiatement la cause de ce bruit. La vibration signale généralement un problème.
7. Coupez le moteur lorsque vous arrêtez de conduire la machine, avant de déboucher le carter de la fraise/l'impulseur ou le déversoir et lors de toute réparation, inspection ou de tout réglage.
8. Lors d'un nettoyage, d'une réparation ou d'une inspection, assurez-vous que la fraise/l'impulseur et toutes les parties mobiles sont arrêtées. Débranchez le câble de la bougie, et tenez le fil éloigné de la bougie afin de prévenir un démarrage accidentel.
9. Prenez toutes les précautions possibles lorsque vous laissez le chasse-neige sans surveillance. Désengagez la fraise/l'impulseur, arrêtez le moteur, et retirez la clé.
10. Ne faites pas fonctionner le moteur à l'intérieur, sauf pour démarrer le moteur, et pour sortir et rentrer la machine. Ouvrir les portes donnant vers l'extérieur ; les gaz d'échappement sont dangereux (ils contiennent du MONOXYDE DE CARBONE, qui est un GAZ INODORE ET MORTEL).
11. Ne déneigez pas à l'horizontal des pentes. Soyez extrêmement prudent en changeant de direction sur les pentes. Ne tentez pas de déneiger des pentes excessivement abruptes.

12. N'utilisez jamais le chasse-neige sans les protections nécessaires : déflecteurs, commandes de sécurité, plaques, ou autres dispositifs de sécurité en place.
13. Ne jamais utiliser le chasse-neige à proximité de clôtures, d'automobiles, d'encadrements de soupiraux, de points de décharge de passagers ou lieux similaires sans réglage approprié de l'angle du déversoir. Eloigner enfants et animaux.
14. Ne pas surcharger la capacité de la machine en tentant de déneiger rapidement.
15. Ne jamais conduire le chasse-neige en vitesse accélérée sur des surfaces glissantes. Regarder vers l'arrière et user de précautions en opérant la marche arrière.
16. Ne jamais diriger le déversoir vers les personnes environnantes ou permettre à quiconque de se placer en face de la machine.
17. Débrayer l'entraînement de la fraise/l'impulseur lors du transport du chasse-neige ou de sa non utilisation.
18. N'utiliser que les pièces et accessoires agréés par le fabricant du chasse-neige (comme les chaînes des pneumatiques, les kits de démarrage électrique, etc.).
19. Ne jamais conduire le chasse-neige sans visibilité ou lumière suffisante. Toujours conserver un bon équilibre et bien agripper les poignées. Marcher et ne jamais courir.
20. Ne pas essayer d'atteindre trop loin. Conserver un bon équilibre et une bonne prise au sol à chaque instant.
21. Exercer toute précaution en travaillant sur des surfaces en pente abrupte.
22. Ce chasse-neige est conçu pour l'utilisation sur trottoirs, accès de garage et autres surfaces au sol.
23. Ne pas utiliser le chasse-neige sur des surfaces élevées par rapport au sol comme les toits de maisons, de garages, de porches ou autres structures ou bâtiments similaires.

Entretien et remisage

1. Vérifiez le bon serrage des boulons de cisaillement et des autres boulons à intervalles fréquents afin de veiller à ce que le matériel soit en bon état de marche.
2. Ne jamais remiser la tondeuse avec de l'essence dans le réservoir dans un endroit clos où des sources d'ignition sont présentes, telles que des chauffe-eaux ou des radiateurs, des sèche-linge et appareils similaires. Laissez le moteur se refroidir avant de remiser la machine dans un endroit clos.
3. Toujours se référer aux instructions du guide utilisateur pour obtenir des détails importants au cas où le chasse-neige doit être remisé pendant une longue période de temps.
4. Entretien ou remplacer les étiquettes de commandes et de sécurité.
5. Faire tourner le moteur du chasse-neige pendant quelques minutes afin d'éviter de geler la fraise/l'impulseur.

MONTAGE

Lire et suivre les instructions de montage et de réglage de votre chasse-neige. Toutes les attaches se trouvent dans le sac de pièces détachées. Ne jeter aucune pièce avant d'avoir monté la machine.



DANGER : Avant de monter le chasse-neige ou de procéder à son entretien, retirer le câble de la bougie.

REMARQUE : dans ce manuel, la gauche et la droite désignent l'emplacement d'une pièce par rapport à la position du conducteur à l'arrière de la machine.

REMARQUE : Le couple de torsion se mesure en Newton-mètre (pieds-livre). Il permet d'évaluer le serrage d'un boulon ou d'une vis. Le couple de torsion se mesure à l'aide d'une clé dynamométrique.

REMARQUE : Les illustrations commencent à la page 2.

REMARQUE : Les fixations et pièces en vrac fournies sont illustrées grandeur nature dans la figure 30.

OUTILS NÉCESSAIRES

- 1 Couteau
- 1 Pince
- 2 Clé de 1/2 pouces
- 2 Clé de 9/16 pouces
- 2 Clé de 3/4 pouces
- 1 Mètre ruban ou règle.
- 1 Tournevis

Retrait du chasse-neige de son carton d'emballage

1. (Figure 1) Le chasse-neige est illustré dans sa position à l'expédition.
2. Couper et jeter les liens de plastique attachant le levier.
3. Découper les quatre coins du carton d'emballage et abaisser les panneaux latéraux au sol.
4. Repérer toutes les pièces emballées séparément et les retirer du carton.
5. Retirer et jeter le matériel d'emballage du chasse-neige.
6. (Figure 2) Pour faciliter le transport, les patins de réglage de la hauteur (7) sont fixés sur la palette. Retirer les vis (17) attachant chacun des patins de réglage de la hauteur (7) à la palette.
7. Agripper la poignée inférieure et tirer le chasse-neige hors de la palette.

ATTENTION: NE PAS rouler sur les câbles.

8. Retirer l'emballage de l'ensemble guidon.
9. Couper les brides maintenant les câbles de commande d'embrayage (1) du guidon inférieur (2). Eloigner les câbles du châssis du moteur.

F-031065L

Montage de la poignée et de la manivelle du déflecteur

1. (Figure 3) Dévisser, mais sans les retirer, les fixations (1) dans les trous supérieurs de la poignée inférieure.
 2. Retirer toutes les fixations et le boulon à oeillet de la manivelle (11) des trous inférieurs de la poignée inférieure.
 3. (Figure 2) Mettre le levier de vitesse (6) en première vitesse de la marche avant.
 4. (Figure 3) Soulever la poignée supérieure (2) et la mettre en position de fonctionnement.
- REMARQUE : S'assurer que les câbles ne se prennent pas entre la poignée inférieure et la poignée supérieure.**
5. Remonter les fixations et le boulon à oeillet de la manivelle (11) démontés à l'étape 2. NE PAS visser avant que toutes les fixations soient en place.
 6. (Figure 5) Attacher la tringle de la manivelle (15) au joint universel (16) à l'aide de la goupille (12).
 7. (Figure 3) Serrer l'écrou sur le boulon à oeillet (11). S'assurer que le boulon à oeillet (11) est correctement aligné et que la manivelle du déversoir (18) peut tourner librement.
 8. Visser toutes les fixations de la poignée.

Montage de la tringle du sélecteur de vitesse

1. (Figure 8) Fixer la rotule (6), située à la base de la tringle du sélecteur de vitesse (2), à la fourchette du levier de vitesse (7). Les fixations (8) ont été attachées à la rotule (6) à l'usine.

Les longueurs de la rotule (6) et de la tringle du sélecteur de vitesse (2) ont été pré-réglées à l'usine. Si un réglage s'avère nécessaire, dévisser l'écrou (9) et retirer les fixations (8) afin de dégager la rotule (6) de la fourchette du levier de vitesse (7). Pour allonger ou raccourcir la tringle du sélecteur de vitesse (2), tourner l'adaptateur jusqu'à obtention de la longueur voulue.

2. (Figure 4) Attacher la poignée (11) sur le levier du sélecteur de vitesse (5). Sur certains modèles, la poignée (11) est déjà posée. Pour la verrouiller dans sa position, serrer à l'aide d'un contre-écrou hexagonal (10) placé contre la partie inférieure de la poignée (11).
3. Veiller à ce que le levier du sélecteur de vitesse (5) fonctionne correctement. Pour cela, passer toutes les vitesses avec le levier du sélecteur de vitesse (5).

Montage du déflecteur

1. (Figure 6) Retirer le boulon à tête ronde (1).
2. Lever le déversoir (2) de façon à le mettre en position de fonctionnement (3).
3. Visser le déversoir (2) sur l'embase (4) à l'aide des boulons à tête ronde (1). Veiller à ce que la tête de chaque boulon (1) se trouve à l'intérieur de l'embase (2).

4. Visser les boulons à l'aide des rondelles (5) et des écrous de blocage (6).
5. Bien serrer les écrous de blocage (6).

REMARQUE : S'assurer que tous les boulons à tête ronde vissés sur l'embase soient bien serrés. NE PAS VISSER TROP FORT.

Vérification des câbles

1. (Figure 7) Vérifier le câble d'entraînement des roues (1) et le câble d'entraînement de la fraise hélicoïdale (2). Si la partie inférieure des câbles a été débranchée, réinstaller les câbles.
2. (Figure 9) Si la partie supérieure des câbles (5) s'est détachée des leviers d'avancée (6), attacher les câbles (5) au support en forme de "z" (7).

Réglage de la hauteur des patins (Figure 2)

Le chasse-neige est équipé de patins à hauteur réglables (7) montés à l'extérieur du carter de la fraise hélicoïdale (4). Pour effectuer le réglage de la hauteur des patins, voir "Réglage de la hauteur des patins" dans la section Entretien.

Réglage de la longueur des câbles

Les câbles ont été ajustés en usine et aucun réglage ne devrait être nécessaire. Cependant, lors de la mise des poignées en position de fonctionnement, les câbles peuvent être trop tendus ou trop lâches. Dans le cas où un réglage s'avère nécessaire, consulter la rubrique "Vérification et réglage des câbles" dans la section Maintenance et réglage.

Montage des coupe-neiges (si la machine en est équipée)

Les coupe-neiges servent à ouvrir un passage dans la neige lorsque celle-ci est plus profonde que le carter de la fraise.

1. (Figure 10) Desserrer les fixations (2) attachant les coupe-neiges (1) au carter de la fraise.
2. Lever les coupe-neige (1) à la hauteur voulue.
3. Resserrer les fixations (2).

Préparation du moteur

Remarque : Le moteur a quitté l'usine rempli d'huile. Vérifier le niveau d'huile. En ajouter autant que nécessaire. Suivre les instructions du fabricant de ce moteur au sujet de l'utilisation de l'essence et de l'huile. Le moteur ne contient pas d'ESSENCE.



DANGER : Suivre les instructions du fabricant du moteur pour connaître le type de carburant et d'huile à utiliser. Toujours utiliser un bidon à essence de sûreté. Ne pas fumer en remplissant le réservoir d'essence. Ne pas faire le plein à l'intérieur d'un bâtiment. Arrêter le moteur avant d'ajouter de l'essence. Laisser refroidir le moteur quelques minutes.

Vérifier le niveau d'huile. Voir les instructions du fabricant du moteur pour connaître le type de carburant et d'huile à utiliser. Avant d'utiliser la machine, lire les informations concernant la sécurité, le fonctionnement, l'entretien et le remisage.

Important ! Avant de démarrer la machine :

- Vérifier toutes les fixations. S'assurer que toutes les fixations sont solidement serrées.
- Les modèles à démarrage électrique ont été livrés avec le câble du démarreur branché sur le moteur. Avant d'utiliser la machine, débranchez la câble du démarreur du moteur.

FONCTIONNEMENT

REMARQUE : les illustrations apparaissent à la page 2.

Se familiariser avec le chasse-neige (Figure 2)

Avant d'utiliser la machine, lire le manuel d'utilisation et les règles de sécurité. Comparer les illustrations avec le chasse-neige pour se familiariser avec l'emplacement des différentes commandes et des réglages.

Levier d'entraînement des roues (1) – Sélectionne la marche avant ou la marche arrière.

Manivelle du déflecteur (2) – Change l'orientation du déversoir.

Déversoir (3) – Change la distance à laquelle la neige est jetée.

Levier d'entraînement de la fraise hélicoïdale (5) – Démarre et arrête le mouvement de la fraise et de l'impulseur (collecte et jet de neige).

Levier de vitesse (6) – Sélectionne la vitesse du chasse-neige.

Patin de réglage de la hauteur (7) – Régle la garde au sol du carter de la fraise.

Clé de démarrage (8) – Doit être introduite pour démarrer le moteur.

Bouton d'amorçage (9) – Ce bouton sert à injecter de l'essence directement dans le carburateur pour faciliter la mise en marche par temps froid.

Bouton de démarrage électrique (10) – Sur les modèles à démarrage électrique, sert à démarrer le moteur.

Boîte de contacteur (11) – Sur les modèles à démarrage électrique, sert à brancher une rallonge électrique de 220 volts.

Poignée de démarrage manuel (12) – Sert à démarrer le moteur manuellement.

Accélérateur (13) – Contrôle la vitesse du moteur.

Commande du starter (14) – Sert à la mise en marche par temps froid.

Les vis de cisaillement (19) – Afin de protéger la machine, des vis de cisaillement sont conçues spécialement pour se briser si un objet se trouve coincé dans le carter de la fraise. L'utilisation d'une vis plus résistante retire la protection fournie par la vis de cisaillement.

Coupe-neiges (18) – (si la machine en est équipée) ils taillent un chemin dans la neige d'une profondeur supérieure à celle du carter de la fraise.

Commande du déversement de la neige



DANGER : ne jamais diriger le déversement de la neige en direction des personnes environnantes.



DANGER : Toujours arrêter le moteur avant de déboucher le déversoir ou le carter de la fraise et avant de laisser le chasse-neige.

1. (Figure 2) Tourner la manivelle du déversoir (2) pour changer la direction du déversement de la neige.
2. (Figure 11) Dévisser le boulon à oreille (1) situé sur le déflecteur de déversement (2).
3. Lever le déflecteur de déversement (2) pour augmenter la distance ou l'abaisser pour raccourcir la distance.
4. Resserrer le boulon à oreilles (1).

Arrêt du chasse-neige (Figure 2)

1. Pour stopper le déversement de la neige, relâcher le levier d'entraînement de la fraise hélicoïdale (5).
2. Pour arrêter les roues, relâcher le levier d'entraînement des roues (1).
3. Pour arrêter le moteur, pousser l'accélérateur (13) en position OFF et retirer la clé de démarrage (8).

Avancer et reculer (Figure 2)

1. Pour modifier la vitesse au sol, relâcher d'abord le levier d'entraînement des roues (1), puis changer la position de la manette d'accélération (6) à la vitesse désirée.
2. La vitesse au sol dépend des conditions d'enneigement. Sélectionner la vitesse en déplaçant la manette d'accélération (6) dans le cran désigné sur la plaque de l'accélérateur.

Vitesse 1, 2	Humide, lourde
Vitesse 3	Légère
Vitesse 4	Très légère
Vitesse 5, 6	Déplacement uniquement
3. Pour avancer, embrayer le levier d'entraînement des roues (1). Garder une poigne ferme sur la poignée alors que le chasse-neige commence à avancer. Guider le chasse-neige en déplaçant la poignée vers la droite ou vers la gauche. Ne pas essayer de pousser le chasse-neige.
4. Pour reculer, relâcher le levier d'entraînement des roues (1).
5. Mettre la manette d'accélération (6) soit en première vitesse ou seconde vitesse de la marche arrière.
6. Engager le levier d'entraînement des roues (1).

IMPORTANT : ne pas déplacer la manette d'accélération (6) lorsque le levier d'entraînement des roues (1) est embrayé.

Déblaiement de la neige (Figure 2)

1. Embrayer le levier d'entraînement de la fraise hélicoïdale (5).

2. Pour arrêter de déblayer la neige, relâcher le levier d'entraînement de la fraise hélicoïdale (5).



DANGER : L'utilisation de tout chasse-neige peut causer la projection de corps étrangers dans les yeux, ce qui peut laisser de sévères séquelles à la vision. Toujours porter des lunettes de protection ou une visière protectrice lors de l'utilisation du chasse-neige. Nous recommandons des lunettes de sécurité standard ou l'utilisation d'un masque de sécurité à vision élargie au dessus de vos lunettes.

Utilisation de la goupille de blocage des roues (Figure 2)

1. La roue droite est attachée à l'axe au moyen d'une goupille de blocage (1). Cette machine a été expédiée équipée de cette goupille de blocage (1) passée dans l'orifice de la roue en position verrouillée (2).
2. Pour une meilleure manoeuvrabilité dans des conditions de neige légère, mettre la goupille de blocage (1) en position déverrouillée (3).
3. Déconnecter la goupille de blocage (1) de position verrouillée (2). Enfoncer la goupille de blocage (1) uniquement dans l'orifice de l'axe non verrouillé. La machine est à présent en position déverrouillée (3) de traction à roue unique.

Avant de démarrer le moteur

1. Avant de démarrer ou de réparer le moteur, se familiariser avec le chasse-neige. Prendre soin de bien comprendre la fonction et l'emplacement de toutes les commandes.
2. Vérifier la tension du câble d'embrayage avant de démarrer le moteur. Voir "Réglage du câble d'embrayage" dans la section Entretien de ce manuel.
3. Veiller à ce que toutes les fixations soient serrées.
4. Veiller à ce que les patins de réglage de la hauteur soient correctement réglés. Voir "Réglage de la hauteur des patins" dans la section Entretien de ce manuel.
5. Vérifier la pression des pneumatiques. La pression correcte est de 14 PSI (1 BAR) à 17 PSI (1.25 BAR). Ne pas dépasser la pression maximale inscrite sur le flanc des pneumatiques.

Arrêt du moteur (Figure 2)

Pour arrêter le moteur, mettre la manette d'accélération (3) en position Arrêt et retirer la clé de démarrage (8). Garder la clé de démarrage (8) en lieu sûr. Le moteur ne peut pas démarrer sans la clé de démarrage (8).

Démarrage du moteur (Figure 2)

Modèles équipés d'un starter électrique

REMARQUE : Un kit de starter électrique peut être rajouté aux moteurs à démarrage manuel. Les kits de starter électrique sont disponibles dans votre centre de maintenance agréé le plus proche.



DANGER : Le starter est équipé d'une rallonge trifilaire conçue pour fonctionner avec du courant domestique de 220 volts A.C. La rallonge doit être mise à la terre en permanence afin d'éviter l'éventualité d'une électrocution pouvant blesser le conducteur. Suivre attentivement les instructions dans la section "Démarrage du moteur". Assurez-vous que le câblage électrique de votre maison est trifilaire avec prise de terre. En cas d'incertitude, consulter un électricien. Si le câblage électrique de votre maison n'est pas trifilaire avec prise de terre, ne pas utiliser ce starter électrique, en quelque circonstance que ce soit. Si votre système électrique est relié à la terre, mais qu'une prise trifilaire n'est pas disponible pour démarrer le moteur, faites-en installer une par un électricien agréementé. Pour brancher une rallonge de 220 volts A.C., toujours brancher d'abord la rallonge sur la prise de contact (11) du moteur. Brancher ensuite l'autre bout de la rallonge dans la prise trifilaire. Pour débrancher la rallonge électrique, toujours débrancher d'abord le bout de la prise trifilaire reliée à la terre.

Démarrage à froid (Figure 2)

1. S'assurer que le moteur contient une quantité d'huile suffisante.
2. Remplir le réservoir avec de l'essence ordinaire sans plomb. Voir "Préparation du moteur".
3. Veiller à ce que le **levier d'entraînement des roues (1)** et le **levier d'entraînement de la fraise (5)** soient en position débrayée (relâchée).
4. Positionner la **manette d'accélération (13)** en position Rapide.
5. Engager la **clé de contact (8)** dans sa fente. S'assurer qu'elle est bien enclenchée. Ne pas tourner la **clé de contact (8)**. Retirer le double de la **clé de contact (8)** et la ranger en lieu sûr.
6. Mettre la **commande de starter (14)** en sa position maximale.
7. (**Démarrage électrique**) Brancher la rallonge électrique à la **prise de contact (11)** située sur le moteur.
8. (**Démarrage électrique**) Brancher l'autre bout de la rallonge électrique à une prise trifilaire reliée à la terre de 220 volts A.C. (Voir le paragraphe DANGER de cette section).
9. Appuyer sur le bouton **d'amorçage (9)**. Chaque fois que vous appuyez sur le **bouton d'amorçage (9)**, attendez deux secondes. Pour connaître le nombre de fois que l'on doit appuyer sur le **bouton d'amorçage (9)**, consulter les instructions données par le fabricant du moteur.
10. (**Démarrage électrique**) Appuyer sur le **bouton de démarrage électrique (10)** jusqu'à ce que le moteur démarre. Ne pas actionner le démarreur pendant plus de 10 secondes à chaque fois. Le démarreur électrique est doté d'une isolation thermique. S'il entre en surchauffe, il s'arrêtera automatiquement et ne pourra être redémarré qu'après avoir refroidi. Il est recommandé d'attendre de 5 à 10 minutes pour que le démarreur refroidisse.

11. (**Démarrage manuel**) Tirer rapidement sur la **corde du démarreur (12)**. Ne pas laisser la **corde du démarreur (12)** s'enrouler d'elle-même et la retenir pour qu'elle s'enroule lentement.
12. Si le moteur ne démarre toujours pas après 5 ou 6 essais, voir les instructions données dans le "Tableau des pannes".
13. (**Démarrage électrique**) Lorsque le moteur démarre, relâcher le bouton de **démarrage électrique (10)** et placer la **commande du starter (14)** à la moitié de sa position maximale. Lorsque le moteur tourne normalement, placer la **commande du starter (14)** en position fermée.
14. (**Démarrage électrique**) Débrancher la rallonge de la prise électrique trifilaire. Débrancher-la ensuite de la **prise de contact (11)**. **REMARQUE** : à des températures inférieures à -18°C (0°F), laisser chauffer le moteur pendant quelques minutes avant de commencer à déneiger.
15. Lorsque vous déneigez, faites toujours tourner le moteur avec la **manette d'accélération (13)** en position Rapide.



DANGER : Ne jamais faire fonctionner le moteur à l'intérieur d'un local ou dans un endroit mal ventilé. Les fumées d'échappement contiennent du monoxyde de carbone qui est un gaz inodore et mortel. Ne pas approcher les pieds, les mains les cheveux ou des vêtements lâches des pièces mobiles du moteur et du chasse-neige. Le silencieux et les pièces avoisinantes peuvent atteindre une température de 67°C (150°F). Ne pas les toucher.

Démarrage d'un moteur à chaud (Figure 2)

Si le moteur est encore chaud d'une récente utilisation, tourner la **commande du starter (14)** en position "OFF" (arrêt). Ne pas appuyer sur le **bouton d'amorçage (9)**. Si le moteur ne démarre toujours pas, suivre les instructions dans "Démarrage d'un moteur froid".

REMARQUE : ne pas utiliser le bouton **d'amorçage (9)** pour chauffer le moteur.

Démarrage d'un moteur lorsque le démarreur électrique est gelé (Figure 2)

Si le démarreur électrique est gelé et ne démarre pas le moteur, suivre les instructions ci-dessous.

1. Tirer la **corde du démarreur (12)** au maximum.
2. Relâcher rapidement la **corde du démarreur (12)**. Laisser la **corde du démarreur (12)** s'enrouler d'elle-même contre le démarreur manuel.

Si le moteur ne démarre toujours pas, répéter les deux étapes précédentes jusqu'à ce que le moteur démarre. Puis poursuivre les instructions données dans Démarrage à froid".

Pour éviter que la corde de démarreur ainsi que les commandes du moteur ne gèlent, procéder comme suit après chaque séance de chasse-neige.

1. Alors que le moteur est encore en marche, tirer d'un coup sec et continu deux ou trois fois la **corde du démarreur (12)**. Cela produit un bruit métallique fort inoffensif pour le moteur ou pour le démarreur.
2. Arrêter le moteur. Essuyer toute trace de neige ou d'humidité du carter du carburateur, des leviers de commandes et des câbles. Agiter également plusieurs fois la **manette d'accélération (13)**, la **commande de starter (14)**, et la **corde du démarreur (12)**.

Nettoyage des traces de neige sur le châssis de la fraise hélicoïdale (Figure 2)



DANGER : Ne pas tenter de retirer de la neige ou des débris s'étant coincés dans le châssis de la fraise sans prendre les précautions suivantes.

1. Débrayer le **levier d'entraînement de la fraise (5)**.
2. Mettre la **manette d'accélération (13)** en position d'arrêt.
3. Retirer (ne pas faire tourner) la **clé du démarreur (8)**.
4. Débrancher le fil de la bougie électrique.
5. Ne pas mettre vos mains dans le **châssis de la fraise (4)** ou dans le **déversoir (3)**. Utiliser un levier pour retirer neige et débris.

Conseils pour l'utilisation du chasse-neige

1. Pour obtenir le meilleur rendement du chasse-neige, régler la vitesse de déplacement, sans JAMAIS toucher au régime du moteur. Le moteur est prévu pour fonctionner au mieux à plein régime et doit toujours être maintenu au régime maximum. Dans la neige profonde, gelée, ou humide, la vitesse doit être réduite. Si les roues patinent, la vitesse doit également être réduite.
2. Les meilleurs résultats s'obtiennent lorsque le travail est effectué immédiatement après une chute de neige.
3. Faire légèrement chevaucher les différents passages du chasse-neige pour un déblayage complet de la neige.
4. Projeter la neige dans le sens du vent dans la mesure du possible.
5. Normalement, régler les patins à 1/8 pouce (3mm) sous le bord d'attaque. Dans de la neige très dure et tassée, les patins peuvent être réglés vers le haut de façon à ce que le bord d'attaque touche le sol.
6. Le gravier ne doit pas être pris par la vis sans fin et soufflé par la machine. Sur des surfaces de gravier, les patins doivent être réglés à 1-1/4 pouce (32mm) sous le bord d'attaque (Voir "Réglage de la hauteur des patins").
7. En fin de travail, laisser le moteur tourner au ralenti pendant quelques minutes pour faire fondre la neige et la glace accumulée sur le moteur.
8. Nettoyer la machine après chaque utilisation.
9. Éliminer la glace, la neige, et les débris de la machine entière. Rincer à l'eau pour éliminer sel et autres produits chimiques. Sécher la machine avec un chiffon.

TABLEAU DE MAINTENANCE

RESPONSABILITES DE L'ACHETEUR

REGISTRE DES OPERATIONS D'ENTRETIEN Complétez les dates au fur et à mesure des opérations d'entretien régulier effectuées.	Avant chaque utilisation	2 premières heures	Toutes les 5 heures	Toutes les 10 heures	Toutes les 25 heures	Chaque saison	Avant remisage	DATES DES OPERATIONS D'ENTRETIEN
Vérification du niveau d'huile	√		√			√		
Vidange de l'huile du moteur					√	√		
Vérification et serrage de tous les boulons et écrous	√					√		
Vérification de la bougie d'allumage					√	√		
Réglage de la courroie d'entraînement		√			√	√		
Vérification du niveau d'essence	√							
Vidage de l'essence							√	
Vérification du câble d'embrayage de la fraise (voir Réglage des câbles)		√				√		
Vérification du câble d'embrayage des roues (voir Réglage des câbles)		√				√		
Lubrification de tous les points d'articulation				√			√	
Lubrification de l'axe de la fraise hélicoïdale (voir Remplacement du boulon de cisaillement)				√			√	
Lubrification des chaînes d'entraînement et des pignons				√			√	

ENTRETIEN

REMARQUE : Les illustrations apparaissent à la page 2.

Utiliser la section Entretien suivante pour maintenir votre machine en bonne condition de fonctionnement. Toutes les informations concernant le moteur figurent dans le guide du fabricant du moteur. Lisez ce guide avant de démarrer le moteur.



DANGER : Avant d'effectuer toute inspection, tout réglage (sauf celui du carburateur), ou toute réparation, débrancher le fil de la bougie d'allumage.

Recommandations d'ordre général

La garantie de ce chasse-neige ne couvre pas les pièces ayant fait l'objet d'abus ou de négligence de la part de l'utilisateur. Pour bénéficier entièrement de la garantie, l'utilisateur doit entretenir le chasse-neige comme indiqué dans ce manuel.

Certains réglages doivent être effectués régulièrement afin de maintenir le chasse-neige en bon état.

Après chaque utilisation

- Détecter toute pièce desserrée ou endommagée.
- Resserrer toute fixation desserrée.

F-031065L

- Vérifier et entretenir la fraise.
- Contrôler les commandes pour vérifier si elles fonctionnent toutes correctement.
- Remplacer immédiatement toute pièce usée ou endommagée.

Tous les réglages figurant dans la section **Entretien** de ce manuel doivent être vérifiés au moins une fois par saison.

Obligatoire

Les réglages suivants doivent être vérifiés plus d'une fois par saison.

1. Régler la courroie d'entraînement de la fraise après les 2 ou 4 premières heures d'utilisation, une seconde fois au milieu de la saison, et deux fois à chaque saison suivante. Voir "Réglage de la courroie d'entraînement de la fraise" dans la section Entretien.

Lubrification

Toutes les 10 heures (Figure 13)

1. Lubrifier les embouts graisseurs Zerk (1) toutes les dix heures avec un pistolet à graisse.
2. A chaque remplacement d'une vis de cisaillement, l'axe de la fraise doit également être graissé.
3. Lubrifier toutes les articulations.

Toutes les 25 heures

Engrenage de rotation de la cheminée

(Figure 5) Lubrifier l'engrenage de rotation de la cheminée (1) avec de l'huile pour moteur d'automobile.

Chaînes

1. (Figure 2) Mettre la manette d'accélération (6) en première vitesse.
2. Vider l'essence du réservoir. Placer le chasse-neige verticalement sur l'avant du carter de la fraise (4).



DANGER : vider l'essence en plein air, à l'écart de toute source de flammes ou de feu.

3. (Figure 20) Dévisser les boulons (3) de chaque côté du panneau ventral (2).
4. Retirer le panneau ventral (2).
5. (Figure 14) Graisser les chaînes (5) à l'aide d'un lubrifiant pour chaînes.
6. Frotter l'arbre hexagonal et les pignons (6) avec de l'huile moteur 5W30.

REMARQUE: Si de la graisse ou de l'huile entre en contact avec le plateau d'entraînement du disque (1) ou de la roue de friction (3), des dommages peuvent en résulter. Eliminer toute trace d'huile ou de graisse à l'aide d'un solvant à base d'alcool.

7. (Figure 20) Monter le panneau ventral (2).
8. Resserrer les boulons (3) de chaque côté du panneau ventral (2).

Pièces à ne pas lubrifier (Figure 14)

1. Ne pas graisser l'**arbre hexagonal** et le **pignon (6)**. Toutes les bagues et les roulements sont lubrifiés à vie. Pour le remisage, verser une légère quantité d'huile moteur 5W-30 sur un chiffon et essuyer l'**arbre hexagonal et le pignon (6)** afin d'éviter la rouille.
2. Si la graisse entre en contact avec la **roue de friction de caoutchouc (3)** ou le **plateau d'entraînement du disque (1)**, la **roue de friction de caoutchouc (3)** peut être endommagé. Veiller à bien nettoyer la **roue de friction de caoutchouc (3)** et le **plateau d'entraînement du disque (1)**.
ATTENTION : tout huilage ou graissage des composants mentionnés ci-dessus peut atteindre la roue de friction de caoutchouc (3). Si la roue de friction de caoutchouc (3) ou le plateau d'entraînement du disque (1) sont souillés de graisse ou d'huile, la roue de friction en sera endommagé.
3. La boîte de vitesse de la fraise a été lubrifiée lors de la fabrication et ne requiert pas de graissage supplémentaire. Si pour quelque raison le lubrifiant de la boîte se met à fuir, faites vérifier la boîte par un centre de maintenance agréé.

Réglage de la hauteur des patins (Figure 2)

Ce chasse-neige est équipé de deux **patins de réglage de hauteur (7)**. Ces patins servent à élever l'avant du chasse-neige. Sur surfaces dures normales telles que les voies de garage et les trottoirs, régler les patins comme suit.

1. Placer le chasse-neige sur une surface plane.
2. Veiller à ce que les deux pneumatiques soient de pression égale. La pression correcte s'échelonne de 14 PSI (1 BAR) à 17 PSI (1.25 BAR). Ne pas excéder la pression maximale indiquée sur le flanc du pneumatique.
3. Placer les boulons de cisaillement supplémentaires (**fournis dans le sac de pièces**) au-dessous de chaque bout du **bord d'attaque (15)** attendant aux **patins de réglage (7)**.
4. Dévisser les **écrous de montage (16)** maintenant les **patins de réglage (7)**. Pour abaisser l'avant du chasse-neige, lever chacun des **patins de réglage (7)**. Resserrer les **écrous de montage (16)**.

REMARQUE : sur surfaces graveleuses ou inégales, lever l'avant du chasse-neige en abaissant les patins de réglage (7).



DANGER : Toujours maintenir une garde au sol appropriée en fonction de la surface de travail. Des objets comme du gravier, des pierres et d'autres débris peuvent être pris par l'impulseur et projetés avec une force suffisante pour provoquer des blessures ou des dégâts sur le chasse-neige.

Réglage du bord d'attaque (Figure 2)

Après une longue utilisation, le **bord d'attaque (15)** s'use. Le **bord d'attaque (15)** et les patins doivent toujours être réglés pour placer le **bord d'attaque (15)** à 1/8 pouce (3 mm) au-dessus de la surface à déneiger.

F-031065L

1. Placer le chasse-neige sur une surface plane.
2. Veiller à ce que les deux pneumatiques soient de pression égale. La pression correcte s'échelonne de 14 PSI (1 BAR) à 17 PSI (1.25 BAR). Ne pas excéder la pression maximale indiquée sur le flanc du pneumatique.
3. Desserrer les boulons et les écrous fixant le **bord d'attaque (15)** au **carter de la fraise (4)**.
4. Régler le **bord d'attaque (15)** de façon à placer le **bord d'attaque (15)** à 1/8 pouce (3 mm) au-dessus de la surface à déneiger.
5. Resserrer les boulons et les écrous en s'assurant que le **bord d'attaque (15)** est parallèle au trottoir ou à la surface à déneiger.
6. Pour en prolonger l'utilisation du **bord d'attaque (15)**, démonter le **bord d'attaque (15)** et inverser le sens de montage.


Vérification et réglage des câbles

Le câble d'entraînement des roues et le câble d'entraînement de la fraise hélicoïdale sont réglés dans l'usine de fabrication. En usage normal, un câble peut se détendre et doit être vérifié et réglé comme suit.

Vérification des câbles (Figure 15)

1. Pour vérifier le réglage, détacher le **crochet en "Z" du levier d'entraînement (2)**.
2. Pousser le **levier d'entraînement (2)** complètement vers l'avant jusqu'à ce que le **levier d'entraînement (2)** entre en contact avec la **butée en plastique (3)**.
3. Le câble de commande est correctement réglé si le **crochet en "Z" (1)** est **aligné (4)** avec le trou du **levier d'entraînement (2)** et que le câble ne présente pas d'affaissement.

Réglage du câble d'entraînement de la fraise

1. Vider l'essence du réservoir. Mettre le chasse-neige debout sur l'avant du carter de la fraise.
-  **DANGER : Vider l'essence à l'extérieur et à l'écart de toute source de flammes ou de feu.**
2. (Figure 15) Détacher le **crochet en "Z" (1)** du **levier d'entraînement (2)**.
 3. (Figure 16) Relever le couvercle du ressort de façon à exposer le **ressort (5)**. Pousser le **câble (6)** dans le **ressort (5)** pour exposer l'**extrémité carrée (7)** du **câble (6)**.
 4. Tenir l'**extrémité carrée (7)** avec des pinces et **tourner l'écrou (8)** dans un sens ou dans l'autre jusqu'à ce que l'affaissement du câble disparaisse.
 5. Tirer le **câble (6)** dans le **ressort (5)** et le remonter.
 6. (Figure 15) Rattacher le **crochet en "Z" (1)** au **levier d'entraînement (2)**.

REMARQUE : lors du réglage ou du remplacement de la courroie d'entraînement de la fraise hélicoïdale, vérifier et régler le câble.

Réglage du câble d'entraînement

1. Retirer le carburant du réservoir d'essence. Positionner le chasse-neige debout sur la face avant du carter de la fraise.



DANGER : Vider l'essence à l'extérieur, à l'écart de toute source de flammes ou de feu.

2. (Figure 20) Desserrer les **boulons (3)** sur chaque côté du **panneau ventral (2)**.
3. Retirer le **panneau ventral (2)**.
4. (Figure 15) Détacher le **crochet en "Z" (1)** du **levier d'entraînement de la fraise (2)**.
5. (Figure 25) Faire glisser la **gaine du câble (3)** de l'**attache de réglage du câble (4)**.
6. Enfoncer la base du **câble de commande de la fraise (5)** dans l'**attache de réglage du câble (4)** jusqu'à ce que le **crochet en "Z" (6)** puisse être enlevé.
7. Retirer le **crochet en "Z" (6)** de l'**attache de réglage du câble (4)**. Placer le **crochet en "Z" (6)** dans le trou de réglage situé immédiatement au-dessous.
8. Tirer le **câble de commande de la fraise (5)** vers le haut au travers de l'**attache de réglage du câble (4)**.
9. Replacer la **gaine du câble (3)** sur l'**attache de réglage du câble (4)**.
10. (Figure 15) Accrocher le **crochet en "Z" (1)** au **levier d'entraînement de la fraise (2)**.
11. (Figure 14) Pour vérifier le réglage, abaisser le levier d'entraînement et vérifier la **longueur "A" du ressort du câble d'entraînement (7)**. Lorsque le réglage est correct, la **longueur "A" du ressort du câble d'entraînement (7)** doit être la suivante :
minimum 3 pouces (76 mm.)
maximum 3 pouces et 3/8 (85 mm.).
12. (Figure 20) Remonter le **panneau ventral (2)**.
13. Serrer les **boulons (3)** sur chaque côté du **panneau ventral (2)**.

Réglage des courroies

Les courroies s'étirent en usage normal. Si des réglages deviennent nécessaires en raison de l'usure ou de l'étirement, procéder comme suit.

Réglage de la courroie d'entraînement de la fraise hélicoïdale

Si le chasse-neige n'éjecte pas la neige, vérifier le réglage du câble d'entraînement de la fraise. Voir "Vérification et réglage des câbles" dans la section Entretien. Si le réglage est correct, vérifier l'état de la courroie d'entraînement de la fraise. Si celle-ci est endommagée ou lâche, la remplacer. Voir "Remplacement des courroies" dans la section Entretien. Si la courroie est détendue, la régler comme suit.

1. Débrancher le fil de la bougie d'allumage.
2. (Figure 17) Retirer la **vis (2)** du **carter de la courroie (1)**. Retirer le **carter de la courroie (1)**.
3. (Figure 18) Desserrer l'**écrou (2)** sur la **poulie libre (3)** et pousser la **poulie libre (3)** vers la **courroie d'entraînement de la fraise (4)** d'environ 1/8 pouce (3 mm).
4. Resserrer les **écrous (2)**.
5. (Figure 19) Débrayer le levier d'entraînement de la fraise. Vérifier la tension de la **courroie d'entraînement de la fraise (4)**. La **courroie de la fraise (4)** doit normalement fléchir d'environ 1/2 pouce (12,5 mm) (5) sous une pression moyenne. Si la tension n'est pas appropriée, répéter l'opération de réglage.
6. (Figure 17) Remonter le **couvercle de la courroie (1)**. Resserrer la **vis (2)**.

- Vérifier le réglage du câble d'entraînement de la fraise. Voir "Vérification et réglage des câbles" dans la section Entretien de ce manuel.
- Rebrancher le fil de la bougie.

Courroie d'entraînement des roues

La courroie d'entraînement des roues est soumise à la pression constante d'un ressort et n'exige aucun réglage. Si la courroie d'entraînement des roues patine, remplacer la courroie. Voir "Remplacement des courroies" dans la section Entretien de ce manuel.

Remplacement des courroies

Les courroies d'entraînement sont de construction adaptée et doivent être remplacées par des courroies d'origine disponibles dans votre centre de maintenance agréé le plus proche.

Certaines étapes requièrent l'assistance d'une seconde personne.

Démontage de la courroie d'entraînement de la fraise hélicoïdale

Si la courroie d'entraînement de la fraise est endommagée, le chasse-neige ne déverse pas de neige. Remplacer la courroie endommagée comme suit.

- Débrancher le fil de la bougie.
- (Figure 20) Desserrer les boulons (3) sur chaque côté du panneau ventral (2).
- Retirer le panneau ventral (2).
- (Figure 17) Retirer la vis (2) du carter de la courroie (1). Déposer le carter de la courroie (1).
- (Figure 18) Desserrer le guide de courroie (9). Écarter le guide de courroie (9) de la poulie d'entraînement de la fraise (10).
- Séparer la poulie libre (3) de la courroie d'entraînement de la fraise (4).
- Retirer l'ancienne courroie d'entraînement de la fraise (4) de la poulie d'entraînement de la fraise (10) et de la poulie du moteur (11). Remplacer la courroie d'entraînement de la fraise (4) par une courroie d'origine disponible dans votre centre de maintenance agréé le plus proche.
- Monter la nouvelle courroie d'entraînement de la fraise (4) sur la poulie d'entraînement de la fraise (10) et sur la poulie (11).
- Régler la courroie d'entraînement de la fraise (4). Voir "Réglage de la courroie d'entraînement de la fraise" dans la section Entretien.
- Régler le guide de courroie (9). Voir "Réglage du guide de courroie" dans la section Entretien.
- (Figure 17) Monter le carter de courroie (1). Serrer la vis (2).
- Vérifier le réglage des câbles. Voir "Vérification du réglage des câbles" dans la section Entretien.
- Rebrancher le fil de la bougie.

Démontage de la courroie d'entraînement des roues.

Si le chasse-neige n'avance pas, vérifier la courroie d'entraînement des roues pour détecter tout dommage ou toute usure. Si celle-ci est F-031065L

endommagée ou usée, la remplacer comme suit.

- Débrancher le fil de la bougie.
- Retirer la courroie d'entraînement de la fraise. Voir "Démontage de la courroie d'entraînement de la fraise" dans la section Entretien.
- (Figure 18) Retirer la bague de retenue (17) de l'une des extrémités de la biellette d'axe de la plaque de roulement (18). Retirer la biellette d'axe de la plaque de roulement (18) pour permettre à la plaque de roulement de tourner en avant.
- Retirer le ressort du câble de traction (16).
- Dégager la courroie d'entraînement des roues (13) de la poulie d'entraînement des roues (14) et de la poulie motrice (15). Remplacer la courroie d'entraînement des roues (13) par une courroie d'origine disponible dans votre centre de maintenance agréé le plus proche.
- Monter la nouvelle courroie d'entraînement des roues (13) sur la poulie d'entraînement des roues (14) et sur la poulie motrice (15).
- Veiller à ce que la poulie libre d'entraînement des roues (12) soit correctement alignée avec la courroie d'entraînement des roues (13).
- Attacher le ressort du câble de traction (16).
- Monter la biellette d'axe de la plaque de roulement (18) et la verrouiller à l'aide de la bague de retenue (17) enlevée auparavant.
- (Figure 28) La base de la plaque de roulement (20) doit être positionnée entre les encoches d'alignement (19). S'assurer que la plaque de roulement (20) est correctement fixée.

REMARQUE: Si l'entraînement des roues ne fonctionne pas à la suite du remplacement de la courroie d'entraînement, vérifier que la plaque de roulement est bien positionnée entre les encoches d'alignement (19).

- (Figure 18) Monter et régler la courroie d'entraînement de la fraise (4). Voir "Démontage de la courroie d'entraînement de la fraise" dans la section Entretien.
- Régler le guide de courroie (9). Voir "Réglage du guide de courroie" dans la section Entretien.
- (Figure 20) Remonter le panneau ventral (2).
- Serrer les boulons (3) sur chaque côté du panneau ventral (2).
- (Figure 17) Monter le carter de courroie (1). Serrer la vis (2).
- Vérifier le réglage des câbles. Voir "Vérification du réglage des câbles" dans la section Entretien.
- Brancher le fil de la bougie.

Réglage du guide de courroie

- Débrancher le fil de la bougie.
- (Figure 17) Retirer la vis (2). Déposer le carter de la courroie (1).
- (Figure 2) Embrayer le levier d'entraînement de la fraise (5).

- (Figure 21) Mesurer la distance entre le guide de courroie (2) et la courroie d'entraînement de la fraise (3). La distance correcte (4) doit être de 1/8 pouce (3,175mm).
- Si un réglage est nécessaire, desserrer les boulons de montage du guide de courroie (2) et placer le guide de courroie (2) en position correcte (4). Resserrer ensuite les boulons du guide de courroie (2)
- (Figure 17) Monter le carter de courroie (1). Serrer la vis (2).
- Rebrancher le fil de la bougie.

Réglage ou remplacement de la roue de friction

Vérification de la roue de friction

Si le chasse-neige n'avance pas, vérifier la courroie d'entraînement des roues, le câble d'entraînement des roues, ou la roue de friction. Si la roue de friction est endommagée ou usée, il faut le remplacer. Voir "Remplacement de la roue de friction" dans cette section. Si la roue de friction n'est pas endommagée ni usée, le vérifier comme suit.

- (Figure 2) Vider l'essence du réservoir. Mettre le chasse-neige debout sur l'avant du carter de la fraise (4).



DANGER : vider l'essence à l'extérieur et à l'écart de toute source de flammes ou de feu.

- Débrancher le fil de la bougie.
 - (Figure 20) Retirer les boulons (1) de chaque côté du panneau ventral (2).
 - Desserrer les boulons (3) de chaque côté du panneau ventral (2).
 - Retirer le panneau ventral (2).
 - (Figure 2) Mettre la manette d'accélération (6) à la vitesse la plus basse.
 - (Figure 22) Noter la position de la roue de friction (4). La distance "A" correcte entre le côté droit de la roue de friction (4) et l'extérieur du carter du moteur est la suivante:
- | Taille du pneu | Distance "A" |
|-----------------|---------------------|
| 12 et 13 pouces | 4-1/8" (10,5 cm.) |
| 16 pouces | 4-5/16" (10,95 cm.) |
- Si la roue de friction (4) n'est pas en position correcte, effectuer le réglage décrit ci-dessous.

Réglage de la roue de friction

- (Figure 8) Desserrer l'écrou (9) situé sur la tringle du sélecteur de vitesse (2).
- Retirer les fixations (8) afin de dégager la rotule (6) de la fourchette du levier de vitesse (7). Pour allonger ou raccourcir la tringle du sélecteur de vitesse (2), tourner l'adaptateur (10) jusqu'à ce que le disque de friction soit à la position voulue.
- Attacher la rotule (6) à la fourchette du levier de vitesse (7) à l'aide des fixations (8).
- Resserrer l'écrou (9) sur la tringle du sélecteur de vitesse (2).
- Veiller à ce que le levier de vitesse (1) fonctionne correctement. Pour cela, passer toutes les vitesses avec le levier de vitesse (1).
- (Figure 20) Remonter le panneau ventral (2).
- Serrer les boulons (3) de chaque côté du panneau ventral (2).

- Remonter les **boulons (1)** de chaque côté du **panneau ventral (2)**.

Remplacement de la roue de friction

Le chasse-neige n'avance pas si la roue de friction est usé ou endommagé. La roue de friction doit être remplacé comme suit.

- (**Figure 2**) Vider l'essence du réservoir. Mettre le chasse-neige debout sur l'avant du **carter de la fraise (4)**.



DANGER : Vider l'essence à l'extérieur, à l'écart de toute source de flammes ou de feu.

- Débrancher le fil de la bougie.
- (**Figure 26**) Retirer toutes les fixations attachant la **roue droite (10)**. Enlever la **roue droite (10)** de l'**axe (11)**.
- Desserrer les **boulons (3)** de chaque côté du **panneau ventral (2)**.
- Retirer le **panneau ventral(2)**.
- (**Figure 27**) Retirer toutes les fixations attachant le **pignon d'entraînement (12)** à l'**axe (11)**.
- Retirer la roue gauche, l'**axe (11)**, et le **pignon d'entraînement (12)**.
- (**Figure 28**) Retirer les quatre **boulons (16)** maintenant les **roulements (7)** de chaque côté de l'**arbre hexagonal (8)**.
- (**Figure 29**) Retirer l'**arbre hexagonal (8)** et les **roulements (7)**.

REMARQUE : Bien se rappeler de la position des rondelles (17) .

- (**Figure 24**) Retirer les trois **fixations (4)** attachant la **roue de friction (5)** au **moyeu (6)**.
- (**Figure 24**) Retirer la **roue de friction (5)** du **moyeu (6)**. Faire glisser la **roue de friction (5)** de l'**arbre hexagonal (8)**.

- Monter la nouvelle **roue de friction (5)** sur le **moyeu (6)** à l'aide des fixations retirées plus tôt.

- (**Figure 29**) Installer l'**arbre hexagonal (8)** et les **roulements (7)** à l'aide des quatre boulons enlevés auparavant.

Veiller à ce que les rondelles (17) soient correctement installées dans leur position d'origine. Veuillez également vous assurer que les deux rondelles (13) sont correctement alignées avec les bras de commande (14).

- Veiller à ce que l'**arbre hexagonal (8)** puisse tourner librement.
- (**Figure 27**) Installer la roue gauche, l'**axe (11)**, et le **pignon d'entraînement (12)** à l'aide des fixation retirées auparavant. Installer la **chaîne (15)** sur le **pignon d'entraînement (12)**.
- Vérifier le réglage de la roue de friction. Voir "Réglage de la roue de friction" dans cette section.
- Veiller à ce que la roue de friction et le plateau d'entraînement du disque soient dépourvus d'huile ou de graisse.
- (**Figure 20**) Remonter le **panneau ventral (2)**.

- Resserrer les **boulons (3)** de chaque côté du **panneau ventral (2)**.
- Monter la **roue droite (10)** sur l'**essieu (11)** à l'aide des fixations retirées plus tôt.
- Rebrancher le fil de la bougie.

Remplacement d'un boulon de cisaillement de la fraise hélicoïdale

Les fraises hélicoïdales sont fixées à l'arbre par des boulons de cisaillement spéciaux qui sont prévus pour casser si un objet se coince dans le carter de la fraise. Ne pas utiliser un boulon plus dur car ceci supprimera la protection du boulon de cisaillement.



DANGER : Pour garantir la sécurité et la protection de la machine, seuls des boulons de cisaillement d'origine doivent être utilisés pour leur remplacement.

Pour remplacer un boulon de cisaillement cassé, procéder comme suit. Des boulons de cisaillement de rechange sont fournis dans le sac de pièces pour le montage.

- (**Figure 2**) Placer la **manette d'accélération (13)** à la position d'arrêt. Débrayer toutes les commandes.
- Débrancher le fil de la bougie et s'assurer que toutes les pièces sont arrêtées.
- (**Figure 13**) Si le chasse-neige en est équipé, graisser les **embouts graisseurs Zerk (1)** de l'arbre de la fraise à l'aide d'un pistolet graisseur.
- (**Figure 23**) Aligner le trou de la fraise avec le trou de son arbre. Monter le **boulon de cisaillement neuf (2)**, l'**entretoise (3)** et l'**écrou de blocage (4)**.
- Rebrancher le fil de la bougie.

Préparation du chasse-neige pour le remisage



DANGER : Ne pas retirer l'essence à l'intérieur d'un bâtiment, près d'un feu, ou en fumant une cigarette. Les gaz émis par l'essence peuvent provoquer une explosion ou un incendie.

- Vider le réservoir d'essence.
- Faire tourner le moteur jusqu'à ce qu'il tombe en panne sèche.
- Vidanger l'huile du moteur encore chaud. Remplir le bloc-cylindre d'huile neuve.
- Retirer la bougie du cylindre. Verser une once d'huile dans le cylindre. Tirer lentement la poignée de la corde de démarrage manuel pour que l'huile protège le cylindre. Placer une nouvelle bougie sur le cylindre.
- Nettoyer complètement le chasse-neige.
- Graisser tous les points de graissage (voir la section Entretien).
- S'assurer que tous les écrous, boulons et vis sont fermement serrés. Vérifier toutes les pièces mobiles pour déceler les indices de dégâts et d'usure. Remplacer les pièces au besoin.

- Couvrir les pièces de métal du carter de la fraise hélicoïdale et de l'impulseur d'un produit antirouille.
- Placer la machine dans un bâtiment bien ventilé.
- Si la machine doit être remise à l'extérieur, la monter sur des cales pour qu'elle ne repose pas au sol.
- Couvrir ensuite le chasse-neige à l'aide d'une bâche épaisse ne retenant pas l'humidité. Ne pas utiliser une bâche de matière plastique.

Commande de pièces détachées

Le remplacement de pièces détachées est montré soit au dos de ce manuel, soit dans un manuel séparé de pièces de rechange.

Il est vivement recommandé de n'utiliser que des pièces autorisées par le fabricant ou approuvées. La lettre placée à la fin du numéro de la pièce vous signale le type d'affinage pour la pièce, C pour le chrome, Z pour le zinc, PA pour une pièce achetée. Il est important de le joindre lors de la commande d'une pièce. Ne pas utiliser de pièces tractées ou d'accessoires non spécifiquement prévus pour la chasse-neige. Pour obtenir la pièce de remplacement adéquate, il vous faut fournir le numéro du modèle de la chasse-neige (Cf. plaque indicatrice).

Les pièces de rechange, à l'exception faite du moteur, des transmissions, de la boîte-pont ou du différentiel, sont disponibles depuis le magasin d'où la chasse-neige a été achetée, bien dans un atelier de service recommandé ou auprès d'un distributeur régional de pièces Murray, Inc. dont la liste figure à la fin de ce manuel.

Si vous ne pouvez pas vous procurer les pièces ou ne connaissez personne pour dépanner ou veiller à l'entretien de la chasse-neige, veuillez contacter :

HAYTER LIMITED,
Service Department,
Spellbrook,
Bishop's Stortford,
Hertfordshire. CM23 4BU.

MURRAY, INC.

International Sales
P.O. Box 268
Brentwood, Tennessee USA 37024
1-800-251-8007
Fax (615) 373-6633 Les appels en PCV ne seront pas acceptés.

Le remplacement des pièces comme le moteur, les transmissions, la boîte-pont ou le différentiel, sont disponibles depuis un service autorisé par le fabricant, dont l'adresse peut être trouvée dans les Pages jaunes. Par ailleurs, vous pouvez vous appuyer sur les garanties s'appliquant au moteur ou aux transmissions pour commander les pièces de rechange.

Lors de la commande, vous devrez fournir les informations suivantes :

- Le numéro du modèle
- Le numéro de série
- Le numéro de la pièce
- La quantité

TABLEAU DE DEPANNAGE

PANNE	CAUSE	REPARATION
Démarrage difficile	Bougie défective.	Remplacer la bougie.
	Eau ou impuretés dans le système de distribution du carburant.	Utiliser le drain de carburateur pour évacuer les impuretés et remplir avec de l'essence neuve.
Le moteur tourne de manière irrégulière	Conduit de carburant bouché, réservoir d'essence vide, ou essence périmée	Nettoyer le conduit de carburant ; vérifier l'arrivée du carburant ; ajouter de l'essence neuve.
Le moteur cale	Machine fonctionnant avec le STARTER ouvert.	Mettre le levier de starter en position de MARCHE.
Le moteur tourne de manière irrégulière; Perte de puissance	Eau ou impuretés dans le système de distribution du carburant.	Utiliser le drain de carburateur pour évacuer les impuretés et remplir avec de l'essence neuve.
Vibration excessive	pièces dévissées : impulseur endommagé	Arrêter le moteur immédiatement et débrancher la bougie. Serrer tous les boulons et effectuer les réparations nécessaires. Si la vibration persiste, porter la machine à une personne qualifiée pour la réparer.
La machine ne se propulse pas automatiquement	Courroie d'entraînement lâche ou endommagée.	Remplacer la courroie d'entraînement.
	Réglage incorrecte du câble d'entraînement des roues.	Régler le câble d'entraînement des roues.
	Roue de friction usagé ou endommagé.	Remplacer la roue de friction.
La machine n'éjecte pas de neige	Courroie d'entraînement de la fraise lâche ou endommagée.	Régler la courroie d'entraînement de la fraise ; la remplacer si elle est endommagée.
	Câble de commande de la fraise non réglé correctement.	Régler le câble de commande de la fraise.
	Boulon de cisaillement cassé	Remplacer le boulon de cisaillement.
	Déversoir bouché.	Arrêter immédiatement le moteur et débrancher le cordon de la bougie. Nettoyer le déversoir et l'intérieur du carter de la fraise.
	Corps étranger coincé dans la fraise.	Arrêter immédiatement le moteur et débrancher le cordon de la bougie. Retirer le corps étranger coincé dans la fraise.

INHALT

PRODUKTINFORMATIONEN	31
INFORMATIONEN FÜR DEN EIGENTÜMER	31
INTERNATIONALE SYMBOLE	32
MONTAGE	34
BETRIEB	35
WARTUNG	37
WARTUNGSDIAGRAMM	37
FEHLERSUCHDIAGRAMM	41

BESCHRÄNKTE ZWEIJÄHRIGE GARANTIE

Murray, Inc. garantiert dem Erstkäufer, daß diese Schneefräse für einen Zeitraum von **zwei (2) Jahren** ab Kaufdatum bei normalem Gebrauch frei von Material- und Arbeitsfehlern sein wird; diese Garantie erstreckt sich jedoch nicht auf Motoren, Zubehörteile (wie elektrische Anlasser) und normale Verschleißteile (mit Ausnahme der unten aufgeführten), da die Firmen, die diese Teile vertreiben, ihre eigenen Garantien erteilen und über ihre zugelassenen Außendienststellen Kundendienst bieten. Weitere Informationen entnehmen Sie bitte den Garantien für diese bestimmten Teile. Wenn Sie sich nicht sicher sind, ob Ihre Schneefräse eines oder mehrere dieser Teile enthält bzw. damit ausgerüstet ist, wenden Sie sich bitte vor dem Kauf an ihren Händler. Gemäß den Geschäftsbedingungen dieser befristeten Garantie werden wir nach Wahl jedes unter diese befristete Garantiezeit fallende Teil während der anwendbaren Garantiezeit kostenlos für den Erstkäufer reparieren bzw. ersetzen.

Als normale Verschleißteile gelten Antriebsriemen, Einzugtrommeln, Scherbolzen, Reifen und Beleuchtung. Diese Teile sind zum Zeitpunkt der Mitlieferung mit dem Produkt garantiert frei von Material- und Arbeitsfehlern. Alle Beanstandungen für Reparatur oder Ersatz von normalen Verschleißteilen müssen innerhalb von dreißig (30) Tagen ab Kaufdatum gemacht werden. Im Falle von Schäden durch Materialbenutzung, -mißbrauch und -fehlhandlung sind sämtliche Beschwerden hinfällig.

Diese **zweijährige (2) beschränkte Garantie** von Murray, Inc. ist Ihr ausschließliches Rechtsmittel; diese Garantie ist jedoch hinfällig bzw. nicht anwendbar bei Geräten, die verfälscht, abgeändert, falsch angewendet, mißbraucht oder für Miet- oder andere Werbe-

und geschäftlichen Zwecke (nicht für Heimeigentümerzwecke) benutzt wurden. Ihre Garantie umfaßt keine kleineren mechanischen Einstellungen, die nicht auf einen Material- oder Arbeitsdefekt zurückgehen. Anleitungen für solche Einstellungen finden Sie in ihrem Bedienerhandbuch.

Wenn Sie unter dieser **zweijährigen (2) beschränkten Garantie** von Murray, Inc. reklamieren, schicken Sie das Gerät (oder, falls dies im voraus autorisiert wurde, das defekte Teil) mit ihrem Kaufnachweis an eine zugelassene Außendienststelle in Ihrer Nähe. Rufen Sie den zentralen Verteiler für Ersatzteile für Ihr Gebiet an (die Nummer finden Sie auf der mitgelieferten Liste), um die nächstgelegene Außendienststelle ausfindig zu machen oder sehen Sie in den Gelben Seiten nach. Wenn Sie das ganze Gerät zurückschicken, werden wir es reparieren. Wenn wir genehmigen, daß nur das defekte Teil zurückgeschickt wird, werden wir es entweder ersetzen oder reparieren. Diese **zweijährige (2) beschränkte Garantie** verleiht Ihnen bestimmte gesetzlich verankerte Rechte, und Sie haben eventuell weitere Rechte, die sich von Staat zu Staat unterscheiden. **Diese beschränkte Garantie wird anstelle aller ausdrücklichen und stillschweigenden Garantien verliehen, einschließlich der stillschweigenden Gewährleistung, daß die Ware von durchschnittlicher Qualität und für den normalen Gebrauch geeignet ist sowie für die Gewährleistung der Eignung für einen bestimmten Zweck.** Für weitere Informationen zu dieser schriftlichen Garantieerklärung oder für Kundendienst schreiben Sie an:

HAYTER LIMITED,
Service Department,
Spellbrook,
Bishop's Stortford,
Hertfordshire. CM23 4BU.

MURRAY, INC.
International Sales
P.O. Box 268
Brentwood, Tennessee USA 37024
1-800-251-8007
Fax (615) 373-6633

PRODUKTINFORMATIONEN

Der Eigentümer muß sich vergewissern, daß alle Produktinformationen mit diesem Gerät mitgeliefert werden. Dazu gehört das BEDIENERHANDBUCH, die ERSATZTEILE und GARANTIEN. Diese Informationen müssen beigefügt werden, um sicher zu gehen, daß das Recht der Einzelstaaten und andere Gesetze befolgt werden.

INFORMATIONEN FÜR DEN EIGENTÜMER

Dieses Bedienerhandbuch wurde für den Benutzer mit mechanischen Grundkenntnissen verfaßt. Wie in den meisten Bedienerhandbüchern werden nicht alle Schritte beschrieben. Schritten wie Verbindungselemente lösen oder festziehen kann jeder Benutzer mit mechanischen Grundkenntnissen folgen. Lesen und befolgen Sie diese Anweisungen, bevor Sie das Gerät bedienen.

Ihr Produkt kennen: Sie erzielen beste Leistung, wenn Sie das Gerät bzw. dessen Funktionsweise verstehen. Vergleichen Sie beim Durchlesen die Bild Darstellungen mit dem Gerät. Machen Sie sich mit der Platzierung und der Funktion der Steuerelemente vertraut. Zur Unfallvermeidung befolgen Sie die Bedienungsanleitungen und die Sicherheitsregeln. Bewahren Sie dieses Handbuch für künftige Fragen auf.

WICHTIG: Viele Geräte sind nicht zusammengebaut und werden in Kartons verkauft. Der Eigentümer ist dafür verantwortlich, daß die Anweisungen des Handbuches für das Zusammenbauen genau befolgt werden. Andere Geräte werden bereits zusammengebaut verkauft. Bei bereits zusammengebauten Geräten ist der Eigentümer dafür verantwortlich, zu prüfen, daß das Gerät korrekt zusammengebaut ist. Der Eigentümer muß das Gerät vor dem Erstgebrauch sorgfältig und im Einklang mit den im Bedienerhandbuch gegebenen Anweisungen prüfen.



WARNUNG: Schauen Sie nach diesem Symbol, das wichtige Sicherheitsmaßnahmen anzeigt. Dieses Symbol zeigt an: "Achtung! Seien Sie vorsichtig! Ihre Sicherheit ist in Gefahr."

Verantwortungen des Eigentümers

Der Eigentümer ist dafür verantwortlich, die unten gegebenen Anweisungen zu befolgen.

1. Lesen und befolgen Sie die Sicherheitsregeln sorgfältig.
2. Befolgen Sie alle Anweisungen zum Zusammenbau und zur Vorbereitung.

3. Überprüfen Sie das Gerät.
4. Vergewissern Sie sich, daß der Bediener des Geräts weiß, wie alle Standard- und Zubehörausrüstung verwendet werden.
5. Benutzen Sie das Gerät nur mit Schutzvorrichtungen, -schildern und anderen gut sitzenden und funktionierenden Sicherheitsmitteln.
6. Stellen Sie das Gerät richtig ein.
7. Führen Sie Reparaturmaßnahmen nur mit zugelassenen bzw. genehmigten Ersatzteilen durch.
8. Stellen Sie alle Wartungsmaßnahmen am Gerät fertig.

Umweltbewußtsein

- Füllen Sie den Benzintank nicht ganz.
- Entleeren Sie den Benzintank vor dem Abstellen (während der schneefreien Saison).
- Verwenden Sie nur bleifreies Benzin.
- Warten Sie den Luftreiniger regelmäßig.
- Führen Sie regelmäßige Ölwechsel durch. Verwenden Sie Öl der Marke 5W-30.
- Stellen Sie den Motor regelmäßig auf höchste Leistung ein.
- Warten Sie Ausrüstung effektiv.
- Entsorgen Sie gebrauchtes Motorenöl sachgerecht.

MODEL NO.: 629108x61D



SKU No.:

YYYY MM DD: _____

SERIAL NO.:

3750 min-1

108 kg

Manufactured in Lawrenceburg, TN 38464, U.S.A.

Gemäß Richtlinie 98/37/EG bestimmte Schwingungswerte.

Schwingung gemäß EN 1033; 1996: 28,4 m/s².

Werte bestimmt am Handgriff bei ortsfestem Betrieb des Geräts mit 3750 min⁻¹ auf einer Betonfläche.

Gemäß Richtlinie 2000/14/EG, Anhang VIII bestimmte Luftschallemissionswerte (LWA 111 dB).

Schalldruckpegel an der Betriebsposition des Benutzers 96 dB.

Werte bestimmt am Ohr gemäß den Spezifikationen von EN ISO 11201.

INTERNATIONALE SYMBOLE

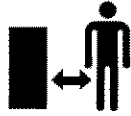
WICHTIG: Die folgenden Symbole befinden sich auf Ihrem Gerät oder in der mit dem Produkt gelieferten Dokumentation. Machen Sie sich vor der Inbetriebnahme des Geräts mit allen Symbolen vertraut.

Sicherheits- und Warnsymbole



GEFAHR

Ausgeworfene Gegenstände Umstehende Personen fernhalten.



GEFAHR

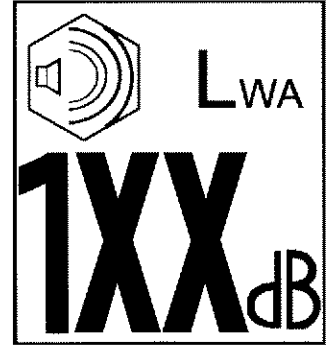
Ausgeworfene Gegenstände. Umstehende Personen fernhalten.



WARNUNG



WICHTIG
Vor Inbetriebnahme der Schneefräse Benutzerhandbuch lesen.



Gemäß Richtlinie 2000/14/EG, bestimmte Luftschalleistungspegel von 111 dB(A).

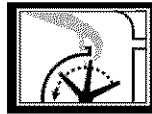


WARNUNG

Heiße Oberfläche



STOP



GEFAHR

Vor dem Beseitigen von Verstopfungen den Motor abstellen!



GEFAHR

Verletzungen durch rotierende Frässhnecke vermeiden. Hände, Füße und Kleider fernhalten.

STEUER- UND BETRIEBSSYMBOL



Langsam



Schnell



Elektrostart



Motor anlassen



Motor in Betrieb



Motor aus



Abschalten des Motors



An



Choke aus



Choke an



Neutral



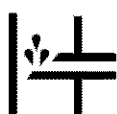
Vorwärts



Rückwärts



Gashebel



Initialzündungsknopf



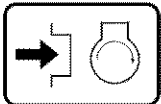
Zündschlüssel



Zündung AUS



Zündung AN



Zum Bedienen des elektrischen Anlassers drücken



Bedienen



Räumwerkkupplung



Räumwerk-Kollektor



Auswurf UNTEN



Auswurf OBEN



Auswurf LINKS



Auswurf RECHTS



Antriebskupplung



Treibstoff



Öl



Benzin-Öl-Gemisch



Gewichtsübertragung

zur Bedienung Griff anheben

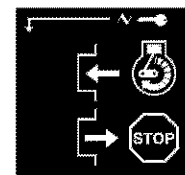


Gewichtsübertragung

zum Lösen Pedal loslassen



Getriebe



Zündschlüssel

zum Anlassen einstecken, zum Abstellen ziehen.

Sicherheitshinweise für die Schneefräse

WICHTIG: Sicherheitsstandards schreiben zur Minimierung der Verletzungsgefahr ein Benutzerfassungssystem vor. Ihre Schneefräse ist mit solchen Steuerelementen ausgestattet. Versuchen Sie auf keinen Fall, der Funktion des Benutzerfassungssystems entgegenzuarbeiten.

Schulung

1. Lesen Sie die Betriebs- und Bedienungsanleitung sorgfältig durch. Machen Sie sich mit den Steuerelementen und dem sachgemäßen Gebrauch des Geräts gründlich vertraut. Lernen Sie schnell, wie man das Gerät anhält und die Kontrollen ausschaltet.
2. Erlauben Sie niemals Kindern, die Ausrüstung zu benutzen. Erlauben Sie niemals Erwachsenen, die Ausrüstung ohne vorherige gründliche Anleitung zu benutzen.
3. Sorgen Sie dafür, daß sich niemand, insbesondere keine Kinder und Tiere, auf dem Arbeitsgelände aufhält.
4. Seien Sie vorsichtig und geben Sie vor allem bei eingelegetem Rückwärtsgang acht, daß Sie nicht ausrutschen bzw. hinfallen.

Vorbereitung

1. Überprüfen Sie sorgfältig das Gelände, auf dem das Gerät eingesetzt wird, und entfernen Sie alle Bürstenmatten, Schlitten, Bretter, Drähte und andere Fremdgegenstände.
2. Lösen Sie alle Kupplungen vor dem Anlassen des Motors.
3. Tragen Sie bei Benutzen der Schneefräse stets angemessene Winteroberbekleidung. Tragen Sie Schuhwerk, das Ihnen besseren Halt auf rutschigen Oberflächen gibt.
4. Gehen Sie vorsichtig mit Benzin um: hochgradig entflammbar.
 - a. Verwenden Sie einen sicherheitsgeprüften Benzinbehälter.
 - b. Bei laufendem Motor oder heißem Gerät darf weder der Tankverschluß geöffnet noch Benzin nachgefüllt werden.
 - c. Tanken Sie immer im Freien und mit größter Vorsicht. Tanken Sie nie innerhalb eines Gebäudes.
 - d. Verschließen Sie den Benzintank sicher und entfernen Sie ggf. ausgelaufenes Benzin.
 - e. Bewahren Sie Benzin bzw. das Gerät niemals mit Benzin im Tank innerhalb eines Gebäudes auf, in dem möglicherweise Benzindämpfe mit offenem Feuer oder Funken in Berührung kommen könnten.
 - f. Überprüfen Sie vor jedem Gebrauch den Benzinstand, und vergewissern Sie sich, daß genügend Raum zum Ausdehnen vorhanden ist, da sich Benzin durch die Wärme des Motors und/oder Sonneneinwirkung u.U. ausdehnt.
5. Verwenden Sie für alle Schneefräsen mit Elektrostart Verlängerungskabel (zum Starten), die CSA/UL-geprüft sind. Verwenden Sie sie nur mit einer Buchse, die im Einklang mit den örtlichen Inspektionsbehörden installiert wurde.

6. Stellen Sie die Höhe der Schneefräse so ein, daß sie nicht auf Kies oder gebrochenes Gestein stößt.
7. Führen Sie keine Einstellungen durch, während der Motor noch läuft (es sei denn, dies wird vom Hersteller ausdrücklich empfohlen).
8. Motor und Schneefräse müssen sich den Außentemperaturen anpassen, bevor Sie mit der Schneefräse arbeiten.
9. Tragen Sie stets Sicherheitsbrillen oder einen Augenschutzschild während die Schneefräse in Betrieb ist bzw. während des Einstellens oder Reparierens.

Betrieb

1. Benutzen Sie diese Schneefräse nicht, wenn Sie Medikamente einnehmen, die zu Schläfrigkeit führen bzw. die Ihre Fähigkeit, die Schneefräse zu bedienen, beeinflussen.
2. Benutzen Sie diese Schneefräse nicht, wenn Sie geistig oder körperlich nicht zu sicherer Bedienung in der Lage sind.
3. Führen Sie niemals Hände oder Füße an oder unter sich drehende Teile. Halten Sie sich immer entfernt von der Auswurföffnung.
4. Seien Sie extrem vorsichtig, wenn Sie sich nahe an Kieswegen, Gehwegen oder Straßen befinden. Seien Sie auf verborgene Gefahren oder auf Verkehr gefaßt.
5. Sollte ein Fremdkörper getroffen werden, stellen Sie den Motor ab und ziehen Sie das Zündkabel ab. Suchen Sie nach Beschädigungen an der Schneefräse und führen Sie die erforderlichen Reparaturen durch, bevor Sie erneut starten und mit der Schneefräse arbeiten.
6. Falls die Schneefräse anfängt, ungewöhnlich stark zu vibrieren, ist eine sofortige Überprüfung erforderlich. Stellen Sie den Motor ab und suchen Sie sofort nach der Ursache. Vibrationen weisen generell auf Probleme hin.
7. Stellen Sie immer den Motor ab, wenn Sie die Betriebsposition verlassen, bevor Sie Verstopfungen in Frästrommel/Räumwerktrömmel oder im Auswurfkamin beseitigen, sowie wenn Sie die Schneefräse überprüfen, reinigen oder Arbeiten an ihr durchführen.
8. Vergewissern Sie sich beim Reinigen, Reparieren oder Inspizieren, daß das Räumwerk und alle sich bewegenden Teile angehalten und alle Kontrollen gelöst sind. Lösen Sie das Zündkabel und halten Sie es von den Zündkerzen fern, um ein zufälliges Anlassen zu vermeiden.
9. Beachten Sie alle Vorsorgemaßnahmen, wenn Sie die Schneefräse unbeaufsichtigt lassen. Halten Sie das Räumwerk an, schalten Sie den Motor ab und ziehen Sie den Schlüssel.
10. Lassen Sie den Motor nicht innerhalb eines Gebäudes laufen, außer beim Anlassen oder beim Transport der Schneefräse nach drinnen oder draußen. Öffnen Sie die Außentüren; Abgasdämpfe sind gefährlich (sie enthalten KOHLENMONOXID, ein GERUCHLOSES und TÖDLICHES GAS).

11. Fräsen Sie keinen Schnee quer zum Hang. Seien Sie extrem vorsichtig, wenn Sie auf einem Abhang die Richtung wechseln. Fräsen Sie keine steilen Abhänge frei.
12. Benutzen Sie die Schneefräse niemals mit beschädigten Schutzeinrichtungen oder Schutzgittern oder ohne angebaute Sicherheitsvorrichtungen.
13. Benutzen Sie die Schneefräse niemals in der Nähe von Umzäunungen, Autos, Fenster-schächten, Gefällen und Ähnlichem, ohne den Schneeauswurfwinkel richtig eingestellt zu haben. Achten Sie darauf, daß sich keine Kinder und Tiere in der Nähe befinden.
14. Überladen Sie die Schneefräse nicht, indem Sie versuchen, möglichst viel Schnee möglichst schnell zu räumen.
15. Benutzen Sie die Schneefräse nie bei hoher Transportgeschwindigkeit auf rutschiger Oberfläche. Schauen Sie hinter sich und seien Sie vorsichtig beim Rückwärtsfahren.
16. Richten Sie den Schneeauswurf nie auf Umstehende bzw. dulden Sie niemanden vor der Schneefräse.
17. Schalten Sie den Strom zum Räumwerk ab, wenn die Schneefräse transportiert wird oder nicht in Gebrauch ist.
18. Verwenden Sie für die Schneefräse nur Zusatzgeräte und Zubehörteile, die vom Hersteller genehmigt sind (wie z.B. Ketten, Elektrostartausrüstung usw.).
19. Benutzen Sie die Schneefräse nie bei schlechter Sicht oder ohne ausreichendes Licht. Vergewissern Sie sich immer, daß Sie guten Halt haben und halten Sie die Griffe fest. Führen Sie das Gerät nur im Schrittempo.
20. Greifen Sie nicht zu weit nach vorne. Achten Sie stets auf guten Halt und auf Ihr Gleichgewicht.
21. Seien Sie vorsichtig, wenn Sie an steil abfallenden Oberflächen arbeiten.
22. Diese Schneefräse eignet sich für Gehwege, Einfahrten und andere ebene Oberflächen.
23. Diese Schneefräse eignet sich nicht für hochgelegene Flächen, z.B. Hausdächer, Garagen, Veranden oder Ähnliches.

Wartung und Aufbewahrung

1. Vergewissern Sie sich in regelmäßigen Abständen, daß die Scherbolzen und andere Schrauben fest sitzen und das Gerät in einem sicheren Arbeitszustand ist.
2. Bewahren Sie die Schneefräse niemals mit Benzin im Tank innerhalb eines Gebäudes auf, in dem sich Zündquellen, z.B. Heißwasserbereiter und Raumheizkörper, Wäschetrockner und Ähnliches, befinden. Lassen Sie den Motor abkühlen, bevor Sie ihn in einem Gebäude abstellen.
3. Befolgen Sie stets die Betriebsanleitung, die wichtige Einzelheiten enthält, wenn die Schneefräse für längere Zeit abgestellt werden soll.
4. Warten und ersetzen Sie gegebenenfalls Sicherheits- und Anleitungsschilder.
5. Lassen Sie die Schneefräse nach dem Schneefräsen noch eine Weile laufen, um ein Einfrieren des Räumwerks zu vermeiden.

MONTAGE

Lesen und befolgen Sie die Anweisungen für das Montieren und Einstellen Ihrer Schneefräse. Alle Befestigungsteile befinden sich im Teilebeutel. Bewahren Sie alle Teile und Materialien auf, bis das Gerät montiert ist.



WARNUNG: Entfernen Sie vor der Montage bzw. vor etwaigen Reparaturen an der Schneefräse das Zündkabel.

HINWEIS: Beschreibungen werden in diesem Bedienerhandbuch aus der Perspektive des BEDIENERS hinter der Schneefräse gegeben.

HINWEIS: Die Drehkraft wird in Foot Pounds (metrisch N.m) gemessen. Diese Maßeinheit gibt an, wie fest eine Mutter oder ein Bolzen anzuziehen ist. Die Drehkraft wird mit einem Drehmomentschlüssel gemessen.

HINWEIS: Abbildungen finden sich ab Seite 2.

HINWEIS: Befestigungsteile und lose Teile werden in Abb. 30 in voller Größe dargestellt.

Benötigte Werkzeuge

- 1 Messer
- 1 Zange
- 2 1/2-Zoll Schraubenschlüssel
- 2 9/16-Zoll Schraubenschlüssel
- 2 3/4-Zoll Schraubenschlüssel
- 1 Maßband oder Lineal
- 1 Schraubendreher

Die Schneefräse aus dem Karton nehmen

1. (Abb. 1) Die Schneefräse wird in der Position gezeigt, in der sie verschickt wird.
2. Entfernen Sie die Plastikbänder, durch die die Auswurfhebelmontage und der Geschwindigkeitshebel gehalten werden.
3. Schneiden Sie alle vier Ecken des Kartons herunter und legen Sie die Seitenteile flach hin.
4. Entnehmen Sie dem Karton alle Teile, die einzeln verpackt sind.
5. Entfernen Sie das Verpackungsmaterial, das die Schneefräse umgibt.
6. (Abb. 2) Für den Transport sind die höhenverstellbaren Gleitkufen (7) an der Palette angebracht. Entfernen Sie die Schraube (17), durch die jede höhenverstellbare Gleitkufe (7) an der Palette gehalten wird.
7. Halten Sie den unteren Griff fest und ziehen Sie die Schneefräse von der Palette herab.
VORSICHT: Fahren Sie NICHT über die Kabel.
8. Entfernen Sie das Verpackungsmaterial von der Griffmontage.
9. Schneiden Sie die Bänder durch, die die Kupplungskabel (1) mit dem unteren Griff (2) verbinden. Entfernen Sie die Kabel vom Motorgehäuse.

F-031065L

Montage des Griffs und der Auswurfkurbel

1. (Abb. 3) Lockern Sie die Schrauben (1) (aber entfernen Sie sie nicht) in den oberen Löchern der unteren Griffe.
2. Entfernen Sie die Befestigungsteile und die Hebelvorrichtung-Ringschraube (11) aus den unteren Löchern des unteren Griffs.
3. (Abb. 2) Stellen Sie den Schalthebel (6) in die erste Vorwärtsposition.
4. (Abb. 3) Heben Sie den oberen Griff (2) in die Betriebsposition.
HINWEIS: Stellen Sie sicher, daß sich die Kabel nicht zwischen unterem und oberem Griff verfangen.
5. Montieren Sie die Befestigungsteile und die Hebelvorrichtung-Ringschraube (11), die in Schritt 2 entfernt wurden. Ziehen Sie die Schrauben NICHT an, bevor alle Befestigungsteile angebracht sind.
6. (Abb. 5) Befestigen Sie die Hebelstange (15) mit dem Splint (12) an die Kardanvorrichtung (16).
7. (Abb. 3) Ziehen Sie die Ringschraubenmutter (11) an. Stellen Sie sicher, daß die Ringschraube (11) richtig ausgerichtet ist und die Auswurfkurbel (18) sich frei drehen kann.
8. Ziehen Sie alle Griffbefestiger fest an.

Montage der Geschwindigkeitssteuerstange

1. (Abb. 8) Befestigen Sie das Kugelgelenk (6), das sich am unteren Ende des Geschwindigkeitshebels (2) befindet, an der Schaltstange (7). Die Befestigungsteile (8) werden in der Fabrik am Kugelgelenk (6) befestigt.
Die Länge des Kugelgelenks (6) und des Geschwindigkeitshebels (2) wurden in der Fabrik bereits eingestellt. Muß neu eingestellt werden, lockern Sie die Mutter (9). Entfernen Sie die Befestigungsteile (8), um so das Kugelgelenk (6) von der Schaltstange (7) zu lösen. Zum Verlängern bzw. Kürzen des Geschwindigkeitssteuerhebels (2) drehen Sie den Adapter (10), um die korrekte Länge zu erreichen.
2. (Abb. 4) Befestigen Sie den Griff (11) auf dem Gangwahlhebel (5). Bei einigen Modellen ist der Griff (11) bereits angebracht. Um ihn in der Position festzustellen, ziehen Sie die Sechskantgegenmutter (10) fest gegen die Unterseite des Griffs (11).
3. Stellen Sie sicher, daß der Gangwahlhebel (5) korrekt funktioniert. Stellen Sie den Gangwahlhebel (5) in alle Geschwindigkeitsstufen.

Montage des Ablenkers

1. (Abb. 6) Entfernen Sie die Schloßschraube (1).
2. Heben Sie den Ablenker (2) in die Betriebsposition (3) an.
3. Montieren Sie den Ablenker (2) mit der Schloßschraube (1) an den Flansch (4). Stellen Sie sicher, daß sich der Kopf der Schloßschraube (1) auf der Innenseite des Flansches (2) befindet.

4. Festigen Sie die Teile mit Unterlegscheiben (5) und Gegenmutter (6).

5. Ziehen Sie die Gegenmutter (6) fest an.

HINWEIS: Stellen Sie sicher, daß alle Schloßschrauben im Flansch fest angezogen sind. ZIEHEN SIE NICHT ZU FEST AN.

Kabel überprüfen

1. (Abb. 7) Überprüfen Sie das Antriebskabel (1) und das Räumwerk-Kabel (2). Wenn sich die Unterseite der Kabel gelöst hat und nicht mehr angeschlossen ist, installieren Sie die Kabel von Neuem.
2. (Abb. 9) Wenn sich die Kabel (5) oben gelöst haben und nicht mehr am Antriebshebel (6) angeschlossen sind, befestigen Sie die Kabel (5) im jeweiligen "Z"-Anschlußstück (7).

Einstellung der Kufenhöhe (Abb. 2)

Die Schneefräse ist mit höhenverstellbaren Gleitkufen (7) ausgerüstet, die an der Außen-seite des Räumwerkgehäuses (4) angebracht sind. Für die Einstellung der Kufenhöhe siehe "Einstellung der Kufenhöhe" im Wartungsabschnitt.

Kabellänge einstellen

Die Kabel wurden in der Fabrik eingestellt, daher sollten keine Neueinstellungen nötig sein. Nachdem die Griffe in die Betriebsposition gestellt wurden, können die Kabel jedoch zu eng oder zu locker sitzen. Sollte eine Neueinstellung nötig sein, lesen Sie "Überprüfen und Einstellen der Kabel" im Wartungs- und Einstellungsabschnitt.

Montage der Schneemesser (falls vorhanden)

Mit den Schneemessern kann man Wege in den Schnee fräsen, die tiefer als das Räumwerkgehäuse liegen.

1. (Abb. 10) Lösen Sie die Befestigungsteile (2), mit denen die Schneemesser (1) an das Räumwerkgehäuse gehalten werden.
2. Heben Sie die Schneemesser (1) auf die gewünschte Höhe an.
3. Ziehen Sie die Befestigungsteile (2) fest.

Vorbereiten des Motors

HINWEIS: Der Motor wird ab Werk mit Öl gefüllt geliefert. Überprüfen Sie den Ölstand. Füllen Sie nach Bedarf Öl nach. Der Motor enthält kein BENZIN.



WARNUNG: Verwenden Sie nur die Benzin- und Ölsorte, die vom Motorhersteller angegeben wird. Verwenden Sie immer einen sicherheitsgeprüften Benzinbehälter. Rauchen Sie nicht beim Benzintanken. Tanken Sie kein Benzin in geschlossenen Räumen. Stellen Sie den Motor vor dem Benzintanken ab. Lassen Sie den Motor einige Minuten lang abkühlen.

Überprüfen Sie den Ölstand. Siehe die Anweisungen des Motorherstellers bezüglich zu verwendender Benzin- und Ölsorte. Lesen Sie vor Benutzen der Schneefräse die Informationen über Sicherheit, Betrieb, Wartung und Lagerung.

Wichtig! Vor Inbetriebnahme:

- die Befestigungen prüfen. Sicherstellen, dass alle Befestigungen fest sitzen.
- Bei Modellen mit Elektrostart ist die Anlasserschnur in den Motor eingesteckt. Vor Inbetriebnahme die Anlasserschnur ausstecken.

BETRIEB

HINWEIS: Abbildungen finden sich ab Seite 2.

Über die Schneefräse (Abb. 2)

Lesen Sie vor Benutzung der Schneefräse das Bedienerhandbuch und die Sicherheitsregeln durch. Vergleichen Sie die Abbildung mit Ihrer Schneefräse, um sich mit den verschiedenen Stellteilen und den Einstellungen vertraut zu machen.

Antriebshebel (1) – wählt die Fahrtrichtung – vorwärts oder rückwärts.

Kurbel (2) – ändert die Richtung des Auswurfkamins.

Auswurfkamin (3) – ändert den Abstand, in dem der Schnee ausgeworfen wird.

Räumwerkhebel (5) – startet und hält die Fräschnecke und die Wurfeinrichtung an (Sammeln und Auswerfen des Schnees).

Geschwindigkeitshebel (6) – bestimmt die Geschwindigkeit der Schneefräse.

Höhenverstellbare Gleitkufe (7) – bestimmt die Bodenfreiheit des Räumwerks.

Zündschlüssel (8) – muß für das Anlassen des Geräts eingeführt sein.

Initialzündungsknopf (9) – spritzt Benzin zum Anlassen eines kalten Motors direkt in den Vergaser ein.

Elektrostartknopf (10) – zum Anlassen des Motors bei Modellen mit Elektrostart.

Strombuchse (11) – bei Modellen mit Elektrostart zum Anschließen eines 220-Volt-Stromkabels.

Rückstart (12) – zum manuellen Anlassen des Motors.

Gashebel (13) – steuert die Geschwindigkeit der Schneefräse.

Choke (14) – zum Kaltstart des Motors.

Schneemesser (18) – (sofern vorhanden) fräsen einen Pfad durch den Schnee, der höher ist als das Räumwerk.

Scherbolzen (19) – Zum Schutz des Geräts wurden spezielle Scherbolzen entworfen, die brechen, wenn ein Fremdkörper in das Räumwerk gerät. Bei Verwendung eines härteren Bolzens wird die Schutzfunktion des Scherbolzens zerstört.

Kontrollieren des Schneeauswurfs



WARNUNG: Richten Sie den Schneeauswurf niemals auf Umstehende.



WARNUNG: Stellen Sie den Motor immer ab, bevor Sie den Auswurfkamin bzw. das Räumwerkgehäuse reinigen und wenn Sie die Schneefräse abstellen.

1. (Abb. 2) Zur Änderung der Schneeauswurfsrichtung die **Kurbel (2)** drehen.
2. (Abb. 11) Lösen Sie die **Flügelmutter (1)** auf dem **Ablenker (2)**.
3. Für größeren Abstand schieben Sie den **Ablenker (2)** nach oben, für kleineren Abstand nach unten.
4. Ziehen Sie die **Flügelmutter (1)** fest.

Anhalten der Schneefräse (Abb. 2)

1. Zum Stoppen des Schneeauswurfs den **Räumwerkhebel (5)** loslassen.
2. Zum Blockieren der Räder den **Antriebshebel (1)** loslassen.
3. Zum Abstellen des Motors den **Gashebel (13)** auf AUS stellen und den **Zündschlüssel (8)** abziehen.

Vorwärts- und Rückwärtsfahren (Abb. 2)

1. Zur Änderung der Grundgeschwindigkeit zuerst den **Antriebshebel (1)** loslassen und dann den **Geschwindigkeitshebel (6)** auf die gewünschte Geschwindigkeit stellen.
2. Die Grundgeschwindigkeit wird durch die Schneeverhältnisse bestimmt. Geschwindigkeit wählen durch Schieben des **Geschwindigkeitshebels (6)** in die entsprechende Kerbe auf dem Blech.

Gschw. 1, 2	Naß, Schwer
Gschw. 3	Leicht
Gschw. 4	Sehr Leicht
Gschw. 5, 6	Ausschließlich Transport
3. Zum Vorwärtsbewegen den **Antriebshebel (1)** betätigen. Den Griff festhalten, wenn sich die Schneefräse vorwärts bewegt. Steuerung der Schneefräse erfolgt durch Drehen des Griffes nach links oder rechts. Versuchen Sie nicht, die Schneefräse zu stoßen.
4. Zum Rückwärtsfahren den **Antriebshebel (1)** loslassen.
5. Stellen Sie den **Geschwindigkeitshebel (6)** entweder in den ersten oder zweiten Rückwärtsgang.
6. Bedienen Sie den **Antriebshebel (1)**.

WICHTIG: Den **Geschwindigkeitshebel (6)** nicht bedienen, während der **Antriebshebel (1)** eingekuppelt ist.

Schneeauswurf (Abb. 2)

1. Bedienen Sie den **Räumwerkhebel (5)**.
2. Lassen Sie zum Stoppen des Schneeauswurfs den **Räumwerkhebel (5)** los.



WARNUNG: Beim Bedienen der Schneefräse können ausgeworfene Fremdoobjekte in die Augen gelangen und schwere Augenschäden hervorrufen. Tragen Sie daher beim Schneefräsen grundsätzlich eine Sicherheitsbrille bzw. Augenschutz. Wir empfehlen Standardsicherheitsbrillen oder einen Sicherheitschild mit umfassender Sicht, der über der Brille getragen wird.

Gebrauch der Radsperre (Abb. 12)

1. Das linke Rad ist mit einem **Klickstift (1)** an der Achse befestigt. In der hier gelieferten Schneefräse befindet sich dieser **Klickstift (1)** im Radloch in der **Sperreposition (2)**.
2. Für leichtere Steuerung in leichtem Schnee den **Klickstift (1)** in **entsperrte Position (3)** bringen.
3. Den **Klickstift (1)** vom Rad in **entsperrter Position (2)** lösen. Den **Klickstift (1)** nur durch das entsperrte Achsenloch drücken. Die Schneefräse befindet sich nun im Einzelradantrieb, **entsperrte Position (3)**.

Vor dem Anlassen des Motors

1. Machen Sie sich vor dem Warten bzw. Starten des Motors mit der Schneefräse vertraut. Stellen Sie sicher, daß Sie die Funktion und Platzierung aller Steuerelemente kennen.
2. Überprüfen Sie vor Starten des Motors die Spannung des Kupplungskabels. Lesen Sie "Einstellung des Kupplungskabels" im Wartungsabschnitt dieses Handbuches.
3. Stellen Sie sicher, daß alle Befestigungsteile fest angezogen sind.
4. Stellen Sie sicher, daß die Kufenhöhe richtig eingestellt ist. Lesen Sie dazu "Einstellung der Kufenhöhe" im Wartungsabschnitt dieses Handbuches.
5. Überprüfen Sie den Reifendruck. Der richtige Luftdruck beträgt zwischen 14 PSI (1 BAR) und 17 PSI (1,25 BAR). Übersteigen Sie den an der Seite des Reifens gezeigten Luftdruck nicht.

Abschalten des Motors (Abb. 2)

Zum Abschalten des Motors den **Gashebel (3)** in die Stopposition bringen und den **Zündschlüssel (8)** abziehen. Bewahren Sie den **Zündschlüssel (8)** an einem sicheren Ort auf. Der Motor kann ohne den **Zündschlüssel (8)** nicht angelassen werden.

Anlassen des Motors (Abb. 2)

Schneefräse mit Elektrostart

HINWEIS: Ein elektrischer Anlasser kann nachträglich an einem Rückstartmotor angebracht werden. Elektrische Anlasser sind bei autorisierten Kundendienstzentren erhältlich.

! WARNUNG: Der Elektrostart ist mit Dreileiterkabel und –steckdose ausgerüstet und auf 220–Volt Wechselstrom ausgerichtet. Das Starkstromkabel muß stets sachgemäß geerdet sein, um einen elektrischen Schock auszuschließen und somit die Verletzungsgefahr für den Benutzer zu beseitigen. Befolgen Sie sorgfältig alle Anweisungen im Abschnitt “Anlassen des Motors”. Stellen Sie sicher, daß es sich bei der Verkabelung in Ihrem Haus um ein geerdetes Dreileitersystem handelt. Fragen Sie im Zweifelsfall einen zugelassenen Elektriker. Wenn es sich nicht um ein geerdetes Dreileitersystem handelt, verwenden Sie unter keinen Umständen den Elektrostart. Wenn Ihr System geerdet ist, aber für das Anlassen keine geerdete Dreileitersteckdose zur Verfügung steht, lassen Sie diese von einem zugelassenen Elektriker installieren. Wenn Sie ein 220–Volt–Wechselstromkabel an die Strombuchse (11) anschließen wollen, schließen Sie immer erst die Strombuchse (11) an den Motor an. Stecken Sie dann das andere Ende in die geerdete Dreileitersteckdose. Ziehen Sie beim Ausstecken stets zuerst das Ende aus, das sich in der geerdeten Dreileitersteckdose befindet.

Anlassen bei kaltem Motor (Abb. 2)

1. Das Motorenöl überprüfen.
2. Den Benzintank mit regulärem bleifreien Benzin volltanken. Lesen Sie dazu “Vorbereiten des Motors”.
3. Stellen Sie sicher, daß der **Antriebshebel (1)** und der **Räumwerkhebel (5)** ausgekuppelt sind.
4. Stellen Sie den **Gashebel (13)** auf schnell.
5. Stecken Sie den **Zündschlüssel (8)** ins Zündschloß. Stellen Sie sicher, daß der **Zündschlüssel (8)** einrastet. **Drehen Sie den Zündschlüssel (8) nicht.** Ziehen Sie den Zusatzzündschlüssel ab und bewahren Sie ihn an einem sicheren Ort auf.
6. Stellen Sie den **Choke (14)** vollkommen auf die Startposition.
7. **(Elektrostart)** Schließen Sie das Starkstromkabel an die **Strombuchse (11)** am Motor an.
8. **(Elektrostart)** Stecken Sie das andere Ende des Starkstromkabels in eine geerdete Dreileitersteckdose mit 220–Volt–Wechselstromspannung ein. (Siehe WARNUNG in diesem Abschnitt).
9. Drücken Sie den **Zündungsknopf (9)**. Warten Sie bei jedem Drücken des **Zündungsknopfes (9)** zwei Sekunden. Lesen Sie in den Anweisungen des Motorherstellers nach, wie oft der **Zündungsknopf (9)** zu drücken ist.
10. **(Elektrostart)** Drücken Sie den **Elektrostartknopf (10)** so lange, bis der Motor startet. Drücken Sie höchstens 10 Sekunden am Stück. Der elektrische Anlasser ist thermisch geschützt. Wenn der elektrische Anlasser überhitzt, stoppt er automatisch und kann erst wieder neu gestartet werden, wenn er auf eine sichere Temperatur abgekühlt ist. Eine Wartezeit von 5 bis 10 Minuten ist zum Abkühlen des elektrischen Anlassers nötig.

11. **(Rückstart)** Ziehen Sie rasch den **Rückstarthebel (12)**. Vermeiden Sie ein Zurückschnappen des **Rückstarthebels (12)**. Lassen Sie den **Rückstarthebel (12)** langsam in die Ausgangsposition zurück.
 12. Wenn der Motor nach fünf oder sechs Startversuchen nicht anspringt, lesen Sie die Anweisungen im Fehlersuchdiagramm.
 13. **(Elektrostart)** Wenn der Motor anspringt, lassen Sie den **Elektrostartknopf (10)** los und stellen Sie den **Choke (14)** auf 1/2 Chokeposition. Wenn der Motor rund läuft, stellen Sie den **Choke (14)** auf aus.
 14. **(Elektrostart)** Erst das Starkstromkabel ausstecken. Dann von der **Strombuchse (11)** lösen.
- HINWEIS:** Bei Temperaturen unter -20°C ($0^{\circ}\text{Fahrenheit}$), den Motor mehrere Minuten lang vor dem Schneefräsen aufwärmen lassen.
15. Achten Sie darauf, daß beim Schneefräsen der **Gashebel (13)** stets auf schnell gestellt ist.



! WARNUNG: Lassen Sie den Motor nie innerhalb eines Gebäudes oder in einem geschlossenen, schlecht gelüfteten Gebiet laufen. Abgase enthalten Kohlenmonoxid, ein geruchloses und tödliches Gas. Halten Sie Hände, Füße, Haare und weite Kleidung von den beweglichen Teilen an Motor oder Schneefräse fern. Die Temperatur des Auspuffs und der Umgebung kann bei über 65°C ($150^{\circ}\text{Fahrenheit}$) liegen. Vermeiden Sie diese Gebiete.

Anlassen bei warmem Motor (Abb. 2)

Wenn der Motor an war und noch warm ist, lassen Sie den **Choke (14)** auf aus und drücken Sie nicht den **Zündungsknopf (9)**. Wenn der Motor nicht anspringt, befolgen Sie die Anweisungen in “Anlassen bei kaltem Motor”.

HINWEIS: Drücken Sie bei einem Warmstart nicht den **Zündungsknopf (9)**.

Anlassen des Motors bei gefrorenem elektrischem Anlasser (Abb. 2)

Ist der elektrische Anlasser eingefroren und dreht den Motor nicht, folgen Sie den Anweisungen unten.

1. Ziehen Sie den **Rückstarthebel (12)** so weit wie möglich heraus.
2. Lassen Sie den **Rückstarthebel (12)** schnell los. Lassen Sie den **Rückstarthebel (12)** gegen den Rückstart schnappen.

Wenn der Motor immer noch nicht anspringt, wiederholen Sie die beiden letzten Schritte so lange, bis er anspringt. Fahren Sie dann mit den Anweisungen in “Anlassen bei kaltem Motor” fort.

Gehen Sie zur Vermeidung eines möglichen Einfrierens des Rückstarts und der Motorsteile nach jedem Schneefräsen folgendermaßen vor.

1. Ziehen Sie bei laufendem Motor rasch den **Rückstarthebel (12)** drei oder vier Mal mit voller Kraft. Dies verursacht ein lautes Klappern, das weder dem Motor noch dem Anlasser schadet.

2. Stellen Sie den Motor ab. Wischen Sie sämtlichen Schnee sowie alle Feuchtigkeit von Vergasergehäuse, Steuerhebeln und Kabeln. Bewegen Sie außerdem den **Gashebel (13)**, **Choke (14)** und **Rückstarthebel (12)** mehrmals hin und her.

Schnee und Geröll vom Räumwerk entfernen (Abb. 2)



! WARNUNG: Unternehmen Sie keinen Versuch, im Räumwerk eingelagerten Schnee bzw. Geröll zu entfernen, ohne die folgenden Vorsichtsmaßnahmen zu treffen.

1. Lösen Sie den **Räumwerkhebel (5)**.
2. Stellen Sie den **Gashebel (13)** auf Stop.
3. Ziehen Sie den **Zündschlüssel (8)** (nicht drehen).
4. Lösen Sie das Zündkabel.
5. Halten Sie Ihre Hände vom **Räumwerkgehäuse (4)** oder dem **Auswurfkamin (3)** fern. Benutzen Sie zur Schnee- und Geröllentfernung ein Brecheisen.

Tips für das Schneefräsen

1. Sie erzielen mit der Schneefräse beste Ergebnisse, wenn Sie die Grundgeschwindigkeit ändern, NIEMALS die Motorgeschwindigkeit. Der Motor ist so entworfen, daß er Höchstleistungen bei Vollgas erbringt; er muß immer auf ‘schnell’ eingestellt sein. Vermindern Sie in Tief-, Eis- oder Naßschnee die Vorwärtsgeschwindigkeit. Vermindern Sie diese auch, wenn die Räder wegrutschen.
2. Der beste Zeitpunkt für Schneefräsen ist sofort nach Neuschnee.
3. Für vollständiges Schneefräsen fräsen Sie jeweils ein Stück des vorherigen Pfades mit.
4. Der Schneeauswurf sollte, so oft dies möglich ist, immer bergab erfolgen.
5. Stellen Sie die Kufen für den normalen Gebrauch so ein, daß sich die Streichstange 4 mm über den Kufen befindet. Stellen Sie die Kufen bei extrem hartem Schnee höher, so daß die Streichstange den Boden berührt.
6. Gestein und Kies dürfen von der Schneefräse nicht aufgenommen und ausgeworfen werden. Stellen Sie auf Oberflächen mit Kies und gebrochenem Gestein die Kufen 3,25 cm unterhalb der Streichstange ein. Lesen Sie “Einstellen der Kufenhöhe” im Wartungsabschnitt.
7. Lassen Sie den Motor nach jedem Schneefräsen ein paar Minuten im Leerlauf laufen. Der Schnee und das angesammelte Eis schmelzen auf dem Motor.
8. Reinigen Sie die Schneefräse nach jedem Gebrauch.
9. Entfernen Sie Eis, Schnee und Geröll von der gesamten Schneefräse. Spülen Sie mit Wasser, um Salz und andere Chemikalien zu entfernen. Reiben Sie die Schneefräse trocken.

WARTUNGSDIAGRAMM

VERANTWORTUNGEN DES EIGENTÜMERS

WARTUNGS-AUFZEICHNUNGEN Daten Schritt für Schritt während der regulären Wartungstermine ausfüllen.	Vor Jedem Gebrauch	Nach den ersten zwei Stunden	Alle 5 Stunden	Alle 10 Stunden	Alle 25 Stunden	Bei jedem Gebrauch	Vor dem Abstellen	WARTUNGSDATEN
Motorölstand überprüfen	√		√			√		
Motoröl wechseln					√	√		
Alle Schrauben und Schraubenmuttern überprüfen	√					√		
Zündkerze überprüfen					√	√		
Antriebsriemen einstellen		√			√	√		
Benzinstand überprüfen	√							
Benzintank leeren							√	
Kabeleinstellung der Räumwerkskupplung überprüfen (Siehe Kabeleinstellung)		√				√		
Kabeleinstellung der Fahrkupplung überprüfen (Siehe Kabeleinstellung)		√				√		
Alle Drehpunkte schmieren				√			√	
Frässhneckenachse schmieren (Siehe Ersetzen der Scherbolzen)				√			√	
Antriebsketten und Kettenräder schmieren				√			√	

WARTUNG

HINWEIS: Abbildungen finden sich ab Seite 2.

Halten Sie Ihre Schneefräse mit Hilfe des folgenden Abschnittes über Wartung betriebsbereit. Alle Wartungsinformationen über den Motor befinden sich in den Anweisungen des Motorherstellers. Lesen Sie dieses Buch vor Anlassen des Motors.



WARNUNG: Ziehen Sie das Zündkabel, bevor Sie Inspektionen, Einstellungen (mit Ausnahme des Vergasers) oder Reparaturen durchführen.

Allgemeine Empfehlungen

Die Garantie für diese Schneefräse erstreckt sich nicht auf Objekte, die durch falsche Behandlung durch den Benutzer oder durch Nachlässigkeit beschädigt wurden. Für eine volle Garantie muß der Benutzer die Schneefräse gemäß den Anweisungen in diesem Handbuch warten.

Zur Wartung der Schneefräse müssen in regelmäßigen Abständen einige Anpassungen vorgenommen werden.

Nach Jedem Gebrauch

- Überprüfen Sie, ob Teile gelockert bzw. beschädigt wurden.
- Ziehen Sie alle lockeren Schraubenbolzen fest an.

F-031065L

- Überprüfen und warten Sie das Räumwerk.
- Überprüfen Sie die Steuerelemente auf richtiges Funktionieren.
- Ersetzen Sie abgenutzte oder beschädigte Teile umgehend.

Alle Anpassungen im **Wartungsabschnitt** dieses Handbuchs sollten mindestens ein Mal pro Saison überprüft werden.

Wenn erforderlich

Die folgende Einstellung sollte öfter als ein Mal pro Saison durchgeführt werden.

1. Stellen Sie den Antriebsriemen des Räumwerks nach den ersten 2 bis 4 Stunden ein Mal, dann in der Mitte der Saison und danach zwei Mal pro Saison ein. Lesen Sie "Einstellen des Räumwerkanttriebsriemens" im Wartungsabschnitt.

Schmierung

Alle 10 Stunden (Abb. 13)

1. Schmieren Sie die **Schmiernippel (1)** alle zehn Betriebsstunden mit einer Fettpresse.
2. Bei jedem Auswechseln eines Scherbolzens muß die Frässhneckenachse auch geschmiert werden.
3. Schmieren Sie alle Drehpunkte.

Alle 25 Stunden

Kamindrehungsvorrichtung

(Abb. 5) Die Kamindrehungsvorrichtung (1) mit Motoröl schmieren.

Ketten

1. (Abb. 2) Legen Sie den **Geschwindigkeitshebel (6)** in den ersten Gang.
2. Leeren Sie den Benzintank. Stellen Sie die Schneefräse auf dem vorderen Ende des **Räumwerkgehäuses (4)** auf.



WARNUNG: Leeren Sie den Benzintank im Freien, weit weg von Feuer bzw. Flammen.

3. (Abb. 20) Lösen Sie die **Bolzen (3)** auf jeder Seite der **Unterplatte (2)**.
4. Entfernen Sie die **Unterplatte (2)**.
5. (Abb. 14) Schmieren Sie die **Ketten (5)** mit einem Kettenschmiermittel.
6. Wischen Sie die **Sechskantachse und Kettenräder (6)** mit Motoröl der Viskosität 5W-30 ab.

HINWEIS: Wenn Fett oder Öl mit der Antriebs-scheibe (1) oder dem Reibrad (3) in Kontakt kommen, können Beschädigungen auftreten. Wischen Sie sämtliches Fett oder Öl mit einem alkoholhaltigen Reinigungsmittel ab.

7. (Abb. 20) Montieren Sie die **Unterplatte (2)**.
8. Ziehen Sie die **Bolzen (3)** auf jeder Seite der **Unterplatte (2)** fest an.

Objekte, die nicht geschmiert werden (Abb. 14)

- Schmieren Sie die **Sechskantachse und Kettenräder (6)** nicht. Alle Lager und Gelenkbuchsen sind auf Lebensdauer geschmiert. Geben Sie zur Lagerung eine kleine Menge Motoröl der Viskosität 5W-30 auf einen Lappen und wischen Sie die **Sechskantachse und Kettenräder (6)** damit ab, um Rostbildung zu verhindern.
- Wenn Fett und Öl mit der **Antriebsscheibe (1)** oder dem **Reibrad (3)** in Kontakt kommen, kann das **Reibrad (3)** beschädigt werden. Stellen Sie sicher, daß die **Antriebsscheibe (1)** und das **Reibrad (3)** gründlich gereinigt werden.

VORSICHT: Jegliches Fetten oder Ölen der oben genannten Komponenten kann eine Verschmutzung des Reibrads (3) hervorrufen. Eine Verschmutzung der Antriebsscheibe (1) oder des Reibrads (3) mit Fett oder Öl führt zu Schäden am Reibrad.

- Der Getriebekasten des Räumwerks wird in der Fabrik geschmiert und bedarf keiner neuerlichen Schmierung. Sollte das Schmiermittel aus irgendeinem Grund auslaufen, lassen Sie den Getriebekasten des Räumwerks in einem autorisierten Kundendienstzentrum überprüfen.

Einstellung der Kufenhöhe (Abb. 2)

Diese Schneefräse ist mit zwei **verstellbaren Gleitkufen (7)** ausgestattet. Diese Kufen erhöhen den vorderen Teil der Schneefräse. Stellen Sie die Stufen für normal harte Oberflächen, z.B. geteerte Einfahrten oder Gehwege, folgendermaßen ein.

- Stellen Sie die Schneefräse auf ebener Oberfläche ab.
- Stellen Sie sicher, daß beide Reifen gleichermaßen aufgeblasen sind. Der richtige Luftdruck beträgt zwischen 14 PSI (1 BAR) und 17 PSI (1,25 BAR). Übersteigen Sie den maximalen Luftdruckwert, der an der Seite des Reifens gezeigt wird, nicht.
- Setzen Sie extra Scherbolzen (**im Teilebeutel befindlich**) unter jedes Ende der **Streichstange (15)** neben den **verstellbaren Kufen (7)**.
- Lockern Sie die **Befestigungsmuttern (16)**, die die **verstellbaren Kufen (7)** halten. Zum Senken des Vorderteils der Schneefräse erhöhen Sie alle **verstellbaren Kufen (7)**. Ziehen Sie die **Befestigungsmuttern (16)** fest an.

HINWEIS: Erhöhen Sie für steinige oder unebene Oberflächen das Vorderteil der Schneefräse, indem Sie die verstellbaren Kufen (7) nach unten bringen.

! WARNUNG: Achten Sie stets auf ordentliche Bodenfreiheit im Arbeitsgebiet. Gegenstände wie Kies, Steine oder anderes Geröll, die von der Wurfeinrichtung getroffen werden, können mit großer Kraft ausgeworfen werden und dabei Personen verletzen und Eigentum bzw. die Schneefräse beschädigen.

Einstellung der Streichstange (Abb. 2)

Nach ausgiebigem Benutzen wird die **Streichstange (15)** abgenutzt. Die **Streichstange (15)** muß, zusammen mit den Kufen, so eingestellt F-031065L

werden, daß ein Abstand von 3,175 mm (1/8") zwischen **Streichstange (15)** und dem Gehweg bzw. des zu räumenden Gebiets besteht.

- Stellen Sie die Schneefräse auf ebener Oberfläche ab.
- Vergewissern Sie sich, daß beide Reifen gleichermaßen aufgeblasen sind. Der richtige Reifendruck beträgt zwischen 14 PSI (1 BAR) und 17 PSI (1,25 BAR). Übersteigen Sie den Höchstwert an Luftdruck, der an der Seite des Reifens angegeben wird, nicht.
- Lockern Sie die Schloßschrauben und Muttern, die die **Streichstange (15)** und das **Frässhneckenengehäuse (4)** zusammenhalten.
- Stellen Sie die **Streichstange (15)** so ein, daß ein Abstand von 4 mm (1/8") zwischen der **Streichstange (15)** und dem Gehweg bzw. des zu räumenden Gebietes besteht.
- Ziehen Sie die Schloßschrauben und Muttern fest. Stellen Sie sicher, daß sich die **Streichstange (15)** parallel zum Gehweg bzw. zum räumenden Gebiet befindet.
- Um die Lebensdauer der **Streichstange (15)** zu verlängern, entfernen Sie die **Streichstange (15)** und montieren Sie sie ab.

Überprüfen und Einstellen der Kabel

Das Antriebskabel und das Räumwerk-kabel werden in der Fabrik eingestellt. Während des normalen Gebrauchs können die Kabel gedehnt werden und müssen dann wie folgt überprüft und eingestellt werden.

Überprüfen der Kabel (Abb. 15)

- Um auf korrekte Einstellung zu überprüfen, lösen Sie das **"Z"-Anschlußstück (1)** vom **Antriebshebel (2)**.
- Schieben Sie den **Antriebshebel (2)** vorwärts, bis der **Antriebshebel (2)** den **Plastikanschlag (3)** berührt.
- Das Kabel ist korrekt eingestellt, wenn die Mitte des **"Z"-Anschlußstückes (1)** mit dem Loch im **Antriebshebel (2)** ausgerichtet (4) ist und das Kabel nicht herabhängt.

Einstellen der Räumwerkanktriebskabel

- Den Benzintank leeren. Schneefräse auf dem vorderen Ende des Räumwerks aufstellen.

! WARNUNG: Leeren Sie den Benzintank im Freien, weit weg von Feuer bzw. Flammen.

- (Abb. 15) Lösen Sie das **"Z"-Anschlußstück (1)** vom **Antriebshebel (2)**.
- (Abb. 16) Ziehen Sie den Federschutz hoch, um die **Feder (5)** freizulegen. Drücken Sie das **Kabel (6)** durch die **Feder (5)**, so daß Sie das **rechteckige Ende (7)** des **Kabels (6)** freilegen.
- Halten Sie das **rechteckige Ende (7)** mit einer Zange und stellen Sie die **Gegenmutter (8)** nach innen oder außen, bis kein überschüssiger Spielraum mehr vorhanden ist.
- Ziehen Sie das **Kabel (6)** zurück durch die **Feder (5)**.
- (Abb. 15) Verbinden Sie das **"Z"-Anschlußstück (1)** mit dem **Antriebshebel (2)**.

HINWEIS: Nachdem der Räumwerkanktriebsriemen eingestellt oder ausgetauscht wurde, prüfen Sie das Kabel, und stellen Sie es ein.

Einstellen des Fahrtantriebskabels

- Leeren Sie den Benzintank. Stellen Sie die Schneefräse auf den vorderen Teil des Räumwerkgehäuses.



ACHTUNG: Leeren Sie den Benzintank im Freien, weit weg von Feuer oder Flammen.

- (Abb. 20) Lösen Sie die **Bolzen (3)** auf jeder Seite der **Unterplatte (2)**.
- Entfernen Sie die **Unterplatte (2)**.
- (Abb. 15) Lösen Sie das **"Z"-Anschlußstück (1)** vom **Antriebshebel (2)**.
- (Abb. 25) Ziehen Sie den **Kabelschuh (3)** von der **Kabeleinstellhalterung (4)** ab.
- Drücken Sie den unteren Teil des **Schlupfregelungskabels (5)** durch die **Kabeleinstellhalterung (4)**, bis der **"Z"-Haken (6)** entfernt werden kann.
- Entfernen Sie den **"Z"-Haken (6)** von der **Kabeleinstellhalterung (4)**. Bewegen Sie den **"Z"-Haken (6)** nach unten zum nächsten Einstelloch.
- Ziehen Sie das **Schlupfregelungskabel (5)** durch die **Kabeleinstellhalterung (4)** nach oben.
- Platzieren Sie den **Kabelschuh (3)** über die **Kabeleinstellhalterung (4)**.
- (Abb. 15) Bringen Sie das **"Z"-Anschlußstück (1)** an den **Antriebshebel (2)** an.
- (Abb. 14) Zur Prüfung der Einstellung lassen Sie den Hebel los und prüfen Sie die **Länge "A" der Antriebsfeder (7)**. Bei korrekter Einstellung ist die **Länge "A" der Antriebsfeder (7)** wie folgt:
Minimal 3 Zoll (76 mm.)
Maximal 3-3/8 Zoll (85 mm.)
- (Abb. 20) Montieren Sie die **Unterplatte (2)**.
- Ziehen Sie die **Bolzen (3)** auf jeder Seite der **Unterplatte (2)** an.

Einstellung der Riemen

Die Riemen dehnen sich bei normalem Gebrauch. Gehen Sie beim Einstellen abgenutzter oder überdehnter Riemen folgendermaßen vor.

Einstellung des Räumwerkanktriebsriemens

Überprüfen Sie die Einstellung des Räumwerkanktriebskabels. Lesen Sie "Überprüfen und Einstellen der Kabel" im Wartungsabschnitt. Ist die Einstellung korrekt, überprüfen Sie den Zustand des Räumwerkanktriebsriemens. Wenn der Räumwerkanktriebsriemen beschädigt ist, wechseln Sie ihn aus. Lesen Sie dazu "Auswechseln der Riemen" im Wartungsabschnitt. Wenn ein Räumwerkanktriebsriemen Schlupf aufweist, gehen Sie folgendermaßen vor.

- Stecken Sie das Zündkabel aus.
- (Abb. 17) Entfernen Sie die **Schraube (2)** von der **Riemenabdeckung (1)**. Entfernen Sie die **Riemenabdeckung (1)**.
- (Abb. 18) Lösen Sie die **Mutter (2)** auf der **Spannrolle (3)**. Schieben Sie die **Spannrolle (3)** 4 mm (1/8") vorwärts auf den **Räumwerkanktriebsriemen (4)** zu.
- Ziehen Sie die **Mutter (2)** fest.
- (Abb. 19) Drücken Sie den Räumwerkhebel. Überprüfen Sie die Spannung auf dem **Räumwerkanktriebsriemen (4)**. Bei korrekter Einstellung wölbt sich der **Antriebsriemen (4)** 8 mm (1/2") (5) unter mäßigem Druck. Ist die Einstellung nicht korrekt, führen Sie eine neue Einstellung durch.

6. (Abb. 17) Montieren Sie die **Riemenabdeckung (1)**. Ziehen Sie die **Schraube (2)** fest an.
7. Überprüfen Sie die Einstellung des Räumwerk-kabels. Lesen Sie dazu "Überprüfen und Einstellen der Kabel" im Wartungsabschnitt.
8. Bringen Sie das Zündkabel an.

Fahrtantriebsriemen

Der Fahrtantriebsriemen hat konstanten Federdruck und braucht nicht eingestellt zu werden. Wechseln Sie den Fahrtantriebsriemen aus, wenn er Schlupf aufweist. Lesen Sie "Auswechseln der Riemen" im Wartungsabschnitt.

Auswechseln der Riemen

Die Antriebsriemen haben einen speziellen Aufbau und müssen mit originalen Ersatzriemen aus der Fabrik ersetzt werden. Sie sind bei jedem autorisierten Kundendienstzentrum erhältlich.

Bei einigen Schritten werden Sie die Hilfe einer zweiten Person benötigen.

Entfernen des Räumwerkantriebsriemens

Wenn der Räumwerkantriebsriemen beschädigt ist, wirft die Schneefräse keinen Schnee aus. Wechseln Sie den beschädigten Riemen folgendermaßen aus.

1. Lösen Sie das **Zündkabel**.
2. (Abb. 20) Lösen Sie die **Bolzen (3)** auf jeder Seite der **Unterplatte (2)**.
3. Entfernen Sie die **Unterplatte (2)**.
4. (Abb. 17) Entfernen Sie die **Schraube (2)** von der **Riemenabdeckung (1)**. Entfernen Sie die **Riemenabdeckung (1)**.
5. (Abb. 18) Lösen Sie die **Riemenführung (9)**. Ziehen Sie die **Riemenführung (9)** von der **Räumwerkscheibe (10)** weg.
6. Ziehen Sie die **Spannrolle (3)** vom **Räumwerkantriebsriemen (4)** weg.
7. Entfernen Sie den alten **Räumwerkantriebsriemen (4)** von der **Räumwerkscheibe (10)** und von der Motorscheibe (11). Wechseln Sie den **Räumwerkantriebsriemen (4)** gegen einen originalen Ersatzriemen aus der Fabrik aus (bei autorisierten Kundendienstzentren erhältlich).
8. Montieren Sie den neuen **Räumwerkantriebsriemen (4)** auf die **Räumwerkscheibe (10)** und auf die **Riemenscheibe (11)**.
9. Stellen Sie den **Räumwerkantriebsriemen (4)** ein. Lesen Sie dazu "Einstellung des Räumwerkantriebsriemens" im Wartungsabschnitt.
10. Stellen Sie die **Riemenführung (9)** ein. Lesen Sie "Einstellung der Riemenführung" im Wartungsabschnitt.
11. (Abb. 17) Montieren Sie die **Riemenabdeckung (1)**. Ziehen Sie die **Schraube (2)** an.
12. Überprüfen Sie die Einstellung der Kabel. Lesen Sie dazu "Überprüfen und Einstellen der Kabel" im Wartungsabschnitt.
13. Schließen Sie das Zündkabel an.

Entfernen des Fahrtantriebsriemens

Wenn sich die Schneefräse nicht vorwärts bewegt, überprüfen Sie, ob der Fahrtantriebsriemen abgenutzt oder beschädigt ist. Sollte dies der Fall sein, wechseln Sie ihn aus

F-031065L

1. Lösen Sie das Zündkabel.
 2. Entfernen Sie den Räumwerkantriebsriemen. Lesen Sie dazu "Entfernen des Räumwerkantriebsriemens" im Wartungsabschnitt.
 3. (Abb. 18) Entfernen Sie den **E-Ring (17)** von einem Ende der **Schwingplattenwellenstange (18)**. Entfernen Sie die **Schwingplattenwellenstange (18)**, damit sich die Schwingplatte vorwärts drehen kann.
 4. Entfernen Sie die **Antriebsfeder (16)**.
 5. Entfernen Sie den alten **Fahrtantriebsriemen (13)** von der **Fahrtantriebsriemenscheibe (14)** und von der **Motorriemenscheibe (15)**. Wechseln Sie den **Fahrtantriebsriemen (13)** gegen einen originalen Ersatzriemen aus der Fabrik aus (bei jedem autorisierten Kundendienstzentrum erhältlich).
 6. Montieren Sie den neuen **Fahrtantriebsriemen (13)** auf die **Fahrtantriebsriemenscheibe (14)** und auf die **Motorriemenscheibe (15)**.
 7. Stellen Sie sicher, daß die **Fahrtantriebsspannrolle (12)** richtig mit dem **Fahrtantriebsriemen (13)** ausgerichtet ist.
 8. Montieren Sie die **Antriebsfeder (16)**.
 9. Montieren Sie die **Schwingplattenwellenstange (18)**, und befestigen Sie sie mit dem zuvor entfernten **E-Ring (17)**.
 10. (Abb. 28) Der Boden der **Schwingplatte (20)** muss zwischen die **Ausrichtungslaschen (19)** platziert werden. Stellen Sie sicher, dass die **Schwingplatte (20)** richtig befestigt ist.
- HINWEIS: Falls der Antrieb nicht funktioniert, nachdem der Fahrtantriebsriemen ausgetauscht wurde, sorgen Sie dafür, dass die Schwingplatte zwischen die Ausrichtungslaschen (19) platziert ist.**
11. (Abb. 18) Montieren Sie den **Räumwerkantriebsriemen (4)** und stellen Sie ihn ein. Lesen Sie "Entfernen des Räumwerkantriebsriemens" im Wartungsabschnitt.
 12. Montieren Sie die **Riemenführung (9)**. Lesen Sie "Einstellung der Riemenführung" im Wartungsabschnitt.
 13. (Abb. 20) Montieren Sie die **Unterplatte (2)**.
 14. Ziehen Sie die **Bolzen (3)** auf jeder Seite der **Unterplatte (2)** an.
 15. (Abb. 17) Montieren Sie die **Riemenabdeckung (1)**. Ziehen Sie die **Schrauben (2)** fest an.
 16. Überprüfen Sie die Einstellung der Kabel. Lesen Sie dazu "Überprüfen und Einstellen der Kabel" im Wartungsabschnitt.
 17. Schließen Sie das Zündkabel an.

Einstellung der Riemenführung

1. Lösen Sie das Zündkabel.
2. (Abb. 17) Entfernen Sie die **Schraube (2)**. Entfernen Sie die **Riemenabdeckung (1)**.
3. (Abb. 2) Bedienen Sie den **Räumwerkhebel (5)**.
4. (Abb. 21) Messen Sie den Abstand zwischen **Riemenführung (2)** und **Räumwerkantriebsriemen (3)**. Der **korrekte Abstand (4)** beträgt 1/8 Zoll (3.175 mm).

5. Zum Einstellen lösen Sie den Befestigungsbolzen für die **Riemenführung (2)**. Bringen Sie die **Riemenführung (2)** in die **korrekte Position (4)**. Ziehen Sie den Befestigungsbolzen für die **Riemenführung (2)** an.
6. (Abb. 17) Montieren Sie die **Riemenabdeckung (1)**. Ziehen Sie die **Schraube (2)** fest an.
7. Schließen Sie das Zündkabel an.

Einstellen bzw. Auswechseln des Reibrads

Überprüfen des Reibrads

Wenn sich die Schneefräse nicht vorwärts bewegt, überprüfen Sie den Fahrtantriebsriemen, das Antriebskabel oder das Reibrad. Wenn das Reibrad abgenutzt oder beschädigt ist, muß es ausgewechselt werden. Siehe "Auswechseln des Reibrads" in diesem Abschnitt. Ist das Reibrad weder abgenutzt noch beschädigt, prüfen Sie folgendermaßen:

1. (Abb. 2) Leeren Sie den Benzintank. Stellen Sie die Schneefräse auf dem vorderen Ende des **Räumwerkgehäuses (4)** auf.



WARNUNG: Leeren Sie den Benzintank im Freien, weit weg von Feuer bzw. Flammen.

2. Lösen Sie das Zündkabel.
 3. (Abb. 20) Entfernen Sie die **Bolzen (1)** auf jeder Seite der **Unterplatte (2)**.
 4. Lockern Sie die **Bolzen (3)** auf jeder Seite der **Unterplatte (2)**.
 5. Entfernen Sie die **Unterplatte (2)**.
 6. (Abb. 2) Stellen Sie mit dem **Geschwindigkeitshebel (6)** die niedrigste Vorwärtsgeschwindigkeit ein.
 7. (Abb. 22) Beachten Sie die Position des **Reibrads (4)**. Der korrekte Abstand "A" von der rechten Seite des **Reibrads (4)** zur Außenseite der Motorbox ist wie folgt:
- | Reifengröße | Abstand "A" |
|----------------|---------------------|
| 12 und 13 Zoll | 4-1/8" (10.5 cm.) |
| 16 Zoll | 4-5/16" (10.95 cm.) |
- Wenn sich das **Reibrad (4)** nicht in korrekter Position befindet, stellen Sie es wie folgt ein.

Einstellen des Reibrads

1. (Abb. 8) Lockern Sie die **Mutter (9)** auf dem **Geschwindigkeitssteuerhebel (2)**.
2. Entfernen Sie die **Befestigungsteile (8)**, um das **Kugelgelenk (6)** von der Schaltstange (7) zu lösen. Zum Verlängern bzw. Kürzen des **Geschwindigkeitssteuerhebels (2)** drehen Sie den **Adapter (10)**, um die korrekte Position des Reibrads zu erhalten.
3. Montieren Sie das **Kugelgelenk (6)** mit den **Befestigungsteilen (8)** an die **Schaltstange (7)**.
4. Ziehen Sie die **Mutter (9)** auf dem **Geschwindigkeitshebel (2)** fest.
5. Stellen Sie sicher, daß der **Gangwahlhebel (1)** richtig funktioniert. Stellen Sie den **Gangwahlhebel (1)** in alle Geschwindigkeitsstufen.
6. (Abb. 20) Montieren Sie die **Unterplatte (2)**.
7. Ziehen Sie die **Bolzen (3)** auf jeder Seite der **Unterplatte (2)** fest.
8. Montieren Sie die **Bolzen (1)** auf jeder Seite der **Unterplatte (2)**.

Auswechseln des Reibrads

Bei abgenutztem oder beschädigtem Reibrad bewegt sich die Schneefräse nicht vorwärts. Das Reibrad wird folgendermaßen ausgewechselt.

1. (Abb. 2) Leeren Sie den Benzintank. Stellen Sie die Schneefräse auf dem vorderen Ende des Räumwerkgehäuses (4) auf.



WARNUNG: Leeren Sie den Benzintank im Freien, weit weg von Feuer bzw. Flammen.

2. Lösen Sie das Zündkabel.
3. (Abb. 26) Entfernen Sie die Befestigungsteile, mit denen das rechte Rad (10) befestigt ist. Entfernen Sie das rechte Rad (10) von der Welle (11).
4. Lösen Sie die Bolzen (3) auf jeder Seite der Unterplatte (2).
5. Entfernen Sie die Unterplatte (2).
6. (Abb. 27) Entfernen Sie die Befestigungsteile, mit denen das Kettenrad (12) an der Welle (11) befestigt ist.
7. Entfernen Sie das linke Rad, die Welle (11) und das Kettenrad (12).
8. (Abb. 28) Entfernen Sie die vier Bolzen (16), die die Lager (7) auf jeder Seite der Sechskantwelle (8) halten.
9. (Abb. 29) Entfernen Sie die Sechskantwelle (8) und Lager (7).
HINWEIS: Achten Sie besonders auf die Position der Unterlegscheiben (17).
10. (Abb. 24) Entfernen Sie die drei Befestigungsteile (4), die das Reibrad (5) auf der Nabe (6) halten.
11. (Abb. 24) Entfernen Sie das Reibrad (5) von der Nabe (6). Ziehen Sie das Reibrad (5) von der Sechskantwelle (8) ab.
12. Montieren Sie das neue Reibrad (5) mit den zuvor entfernten Befestigungsteilen auf die Nabe (6).
13. (Abb. 29) Montieren Sie die Sechskantwelle (8) und Lager (7) mit den zuvor entfernten vier Bolzen.
Stellen Sie sicher, dass die Unterlegscheiben (17) an deren ursprüngliche Position montiert werden. Stellen Sie ebenfalls sicher, dass die beiden Unterlegscheiben (13) korrekt mit den Betätigungsstangen (14) ausgerichtet sind.
14. Stellen Sie sicher, dass die Sechskantwelle (8) sich ungehindert dreht.
15. (Abb. 27) Montieren Sie das linke Rad, die Welle (11) und das Kettenrad (12) mit den zuvor entfernten Befestigungsteilen. Montieren Sie die Kette (15) auf das Kettenrad (12).
16. Prüfen Sie die Einstellung des Reibrads. Siehe "Einstellen des Reibrads" in diesem Abschnitt.
17. Stellen Sie sicher, dass das Reibrad und die Antriebsscheibe frei von Fett und Öl sind.
18. (Abb. 20) Montieren Sie die Unterplatte (2).
19. Ziehen Sie die Bolzen (3) auf jeder Seite der Unterplatte (2) fest.
20. Montieren Sie das rechte Rad (10) mit den zuvor entfernten Befestigungsteilen an die Achse (11).
21. Schließen Sie das Zündkabel an.

Auswechseln des Schneckenscherbolzens

Die Schnecken sind mit speziellen Scherbolzen an der Frässhneckenachse angebracht. Diese Scherbolzen sind so entworfen, daß sie brechen und das Gerät schützen, wenn ein Gegenstand im Räumwerk eingelagert wird. Verwenden Sie keinen härteren Bolzen, da sonst der vom Scherbolzen gelieferte Schutz verlorengeht.



WARNUNG: Verwenden Sie zur Sicherheit und zum Schutz des Geräts nur Originalscherbolzen.

Wechseln Sie einen gebrochenen Scherbolzen folgendermaßen aus. Extra Scherbolzen befinden sich im Teilebeutel.

1. (Abb. 2) Bringen Sie den Gashebel (13) in die Stopposition. Entkuppeln Sie alle Steuerelemente.
2. Lösen Sie das Zündkabel. Stellen Sie sicher, daß sich alle beweglichen Teile wieder im Ruhezustand befinden.
3. (Abb. 13) Schmieren Sie die Schmiernippel (1), sofern vorhanden, der Frässhneckenachse mit einer Fettpresse.
4. (Abb. 23) Richten Sie das Loch im Räumwerk mit dem Loch in der Frässhneckenachse aus. Montieren Sie die neuen Schneckenscherbolzen (2), Abstandsstück (3) und Gegenmutter (4).
5. Schließen Sie das Zündkabel an.

Vorbereitung der Schneefräse auf die Lagerung



WARNUNG: Leeren Sie den Benzintank nicht, wenn Sie sich in einem Gebäude oder in der Nähe eines Feuers befinden oder beim Rauchen. Benzindämpfe können Explosionen bzw. Feuer verursachen.

1. Leeren Sie den Benzintank.
2. Lassen Sie den Motor laufen, bis das Benzin ausgeht.
3. Lassen Sie das Öl aus dem warmen Motor ab. Füllen Sie das Motorgehäuse mit neuem Öl.
4. Entfernen Sie die Zündkerze vom Zylinder. Leeren Sie eine Unze Öl in den Zylinder. Ziehen Sie langsam den Rückstartgriff, so daß das Öl den Zylinder schützt. Montieren Sie eine neue Zündkerze im Zylinder.
5. Reinigen Sie die Schneefräse gründlich.
6. Schmieren Sie alle Schmierpunkte. Siehe Wartungsabschnitt.
7. Stellen Sie sicher, daß alle Muttern, Bolzen und Schrauben sicher und fest angezogen sind. Prüfen Sie alle sichtbaren beweglichen Teile auf Schaden, Bruch und Abnutzung. Wechseln Sie sie, wenn nötig, aus.
8. Schützen Sie alle ungestrichenen Metallteile des Räumwerkgehäuses, der Frässhnecke und Wurfleinrichtung mit einem spritzbaren Rostschutzschmiermittel.
9. Lagern Sie die Schneefräse in einem Gebäude mit guter Lüftanlage.

10. Wenn die Schneefräse draußen abgestellt werden muß, blockieren Sie sie, um sicherzugehen, daß das Gerät vollständig vom Boden abgehoben ist.
11. Decken Sie die Schneefräse mit einer geeigneten Schutzhülle ab, die keine Feuchtigkeit speichert. Verwenden Sie kein Plastik.

Bestellen von Ersatzteilen

Eine Übersicht der Ersatzteile findet sich entweder auf den letzten Seiten dieser Betriebsanleitung oder in einer gesonderten Teileliste.

Setzen Sie ausschließlich vom Hersteller zugelassene Ersatzteile ein. Der Buchstabe am Ende der Teilenummer bezeichnet die Ausfertigung des betreffenden Ersatzteils; C steht für Chrom, Z für Zink und PA für Zuggekaufte Baugruppe. Diese Informationen müssen bei der Bestellung von Ersatzteilen unbedingt angegeben werden. Setzen Sie keine Zubehörteile ein, die nicht ausdrücklich für dieses Gerät empfohlen wurden. Zum Bezug der richtigen Ersatzteile muß die Modellnummer des Rasenmähers angegeben werden (siehe Typenschild).

Ersatzteile, mit Ausnahme von Motor, Getriebe, Hinterachsen mit Kardanwellen und Differentialgetrieben, sind im Geschäft, in dem Sie Ihren Mäher gekauft haben, in einer von diesem Geschäft empfohlenen Werkstatt oder bei einem auf der Rückseite dieses Bedienerhandbuches aufgeführten "Murray, Inc. Central Parts Distributor" (Ersatzteilvertreiber) erhältlich.

Falls es Ihnen unmöglich ist, Ersatzteile bzw. Kundendienstleistungen in der oben beschriebenen Form zu beziehen, wenden Sie sich bitte an:

HAYTER LIMITED,
Service Department,
Spellbrook,
Bishop's Stortford,
Hertfordshire. CM23 4BU.

MURRAY, INC.
International Sales
P.O. Box 268
Brentwood, Tennessee USA 37024
1-800-251-8007
Fax (615) 373-6633 R-Gespräche werden nicht angenommen.

Ersatzteile für Motor, Hinterachse mit Kardanwelle und Getriebe können bei den autorisierten Kundendienstzentren der entsprechenden Hersteller erworben werden; diese befinden sich in den Gelben Seiten Ihres Telefonbuchs. Weitere Informationen zur Bestellung von Ersatzteilen finden sich in den einzelnen Garantieerklärungen für Motor und Getriebe.

Bei der Bestellung sind die folgenden Informationen anzugeben:

- (1) Modellnummer
- (2) Seriennummer
- (3) Teilenummer
- (4) Menge

FEHLERSUCHDIAGRAMM

PROBLEM	URSACHE	BEHEBUNG
Startschwierigkeiten	Defekte Zündkerze.	Zündkerze auswechseln.
	Wasser oder Dreck im Benzin in der Treibstoffanlage.	Mit Hilfe des Ablassers des Vergasergehäuses ausspülen und frisches Benzin nachfüllen.
Motor läuft nicht rund	Blockierte Kraftstoffleitung, leerer Benzintank oder altes Benzin.	Kraftstoffleitung reinigen; Bezinstand überprüfen; frisches Benzin zuführen
Motor blockiert	Schneefräse läuft mit CHOKE.	Choke auf LAUFEN-Einstellung stellen.
Motor läuft nicht rund; Leistungsverlust	Wasser oder Schmutz im Benzinsystem.	Mit Hilfe des Ablassers des Vergasergehäuses ausspülen und frisches Benzin nachfüllen.
Übermäßige Vibrationen	Teile lose: beschädigte Wurfeinrichtung	Motor sofort abstellen und Zündkabel ziehen. Alle Bolzen festziehen und alle notwendigen Reparaturen durchführen. Bestehen die Vibrationen weiterhin, Schneefräse zur Reparaturwerkstatt bringen.
Schneefräse hat keinen Selbstantrieb	Antriebsriemen lose oder beschädigt.	Antriebsriemen ersetzen.
	Fahrtantriebskabel falsch eingestellt.	Fahrtantriebskabel einstellen.
	Abgenutztes bzw. beschädigtes Reibrad.	Reibrad ersetzen.
Schneefräse wirft keinen Schnee aus	Räumwerkkantriebsriemen lose oder beschädigt.	Räumwerkkantriebsriemen einstellen; falls beschädigt, ersetzen.
	Räumwerkkabel nicht richtig eingestellt.	Räumwerkkabel einstellen.
	Scherbolzen gebrochen	Scherbolzen ersetzen
	Auswurfkamin verstopft.	Motor sofort abstellen und Zündkabel ziehen. Auswurfkamin und das Innere des Räumwerkgehäuses reinigen.
	Fremdobjekt im Räumwerk eingelagert	Motor sofort abstellen und Zündkabel ziehen. Fremdobjekt entfernen.

INDICE

INFORMAZIONI SUL PRODOTTO	43
INFORMAZIONI PER L'ACQUIRENTE	43
SIMBOLI INTERNAZIONALI	44
MONTAGGIO	46
USO	47
MAINUTENZIONE	49
TABELLA DI MANUTENZIONE	49
TABELLA PER LA SOLUZIONE DEI PROBLEMI	53

GARANZIA LIMITATA DI DUE ANNI

Murray, Inc. garantisce all'acquirente originale che questa unità sarà priva di difetti di materiale e lavorazione in condizioni d'uso e servizio normali per un periodo di **due (2) anni** a partire dalla data di acquisto; tuttavia, questa garanzia non copre motori, accessori (come motorini di avviamento) e parti soggette a normale usura (tranne come indicato qui sotto) in quanto sono coperti dalle garanzie delle rispettive aziende, che offrono anche assistenza attraverso centri specializzati. Per ulteriori informazioni, vedere le garanzie dei rispettivi prodotti. In caso di dubbi sulla presenza di queste parti nell'unità, consultare il rivenditore prima dell'acquisto. Secondo i termini e le condizioni di questa Garanzia limitata, ripareremo o sostituiremo, a nostra discrezione, parti coperte da detta garanzia a titolo gratuito per l'acquirente originale durante il periodo di garanzia applicabile.

Le parti soggette a normale usura sono le cinghie di trasmissione, coclee, spine di sicurezza, pneumatici e fari. Queste parti sono garantite esenti da difetti di lavorazione e materiale alla consegna insieme al prodotto.

Richieste di riparazioni o sostituzione delle parti soggette a normale usura devono essere inoltrate entro trenta (30) giorni dalla data d'acquisto. Non sarà soddisfatta nessuna richiesta di riparazioni o sostituzione in seguito a danni causati dall'uso, maltrattamento o uso diverso dal previsto del materiale.

Questa **Garanzia limitata di due (2) anni** Murray, Inc. è l'unico mezzo di tutela del cliente; tuttavia, questa garanzia è nulla o non valida in caso l'unità sia stata manomessa, modificata, usata in modo diverso dal previsto, maltrattata o impiegata per noleggi o altro uso commerciale e/o professionale (non residenziale). La garanzia non copre regolazioni meccaniche minori non dovute a difetti di materiale o

lavorazione. Per assistenza nell'esecuzione di tali regolazioni consultare il manuale di istruzioni .

Per richieste secondo questa **Garanzia limitata di due (2) anni** Murray, Inc., restituire l'unità (o, dietro previa autorizzazione, la parte difettosa) insieme a una prova di acquisto a un Centro di assistenza autorizzato. Per individuare il Centro di assistenza autorizzato più vicino, chiamare il Distributore centrale delle parti di zona indicato nell'elenco fornito con l'unità, o consultare le Pagine gialle. Se si restituisce l'intera unità, ripareremo l'unità. Se autorizziamo la restituzione solamente della parte difettosa, ripareremo o sostituiremo la parte difettosa. Questa **Garanzia limitata di due (2) anni** Murray, Inc. dà al cliente diritti specifici, ma possono esservi altri diritti a seconda dello Stato. **Questa Garanzia limitata è in luogo di qualsiasi altra garanzia implicita o espressa di commerciabilità e idoneità per uno scopo particolare.** Per ulteriori informazioni su questa garanzia scritta o assistenza, scrivere al seguente indirizzo:

HAYTER LIMITED,
Service Department,
Spellbrook,
Bishop's Stortford,
Hertfordshire. CM23 4BU.

MURRAY, INC.
International Sales
P.O. Box 268
Brentwood, Tennessee USA 37024
1-800-251-8007
Fax (615) 373-6633

INFORMAZIONI SUL PRODOTTO

Spetta all'acquirente assicurarsi che tutte le informazioni sul prodotto siano incluse con l'unità. Le informazioni includono i LIBRETTI DI ISTRUZIONE, le PARTI DI RICAMBIO e le GARANZIE. Tali informazioni devono essere incluse in ottemperanza della legge statale e di altre leggi.

INFORMAZIONI PER L'ACQUIRENTE

Questo libretto di istruzioni prevede una certa competenza meccanica. Come la maggior parte dei libretti di manutenzione, non contiene tutte le operazioni necessarie; ad esempio operazioni come allentare e serrare dispositivi di fissaggio sono semplici e richiedono una limitata abilità meccanica. Prima di usare l'unità, leggere e seguire queste istruzioni.

Conoscenza del prodotto: per ottenere il rendimento migliore, occorre capire l'unità e il suo funzionamento. Nel leggere il manuale, fare riferimento alle illustrazioni. Individuare l'ubicazione dei comandi e imparare il loro uso. Per prevenire incidenti, seguire le istruzioni sull'uso e le regole per la sicurezza. Conservare questo manuale per riferimento futuro.

IMPORTANTE: molte unità non sono montate e sono vendute in scatole. L'acquirente deve assicurarsi di seguire attentamente le istruzioni sul montaggio incluse. Altre unità sono già montate, in questo caso, l'acquirente deve assicurarsi che siano assemblate correttamente, controllando attentamente l'unità secondo le istruzioni contenute in questo manuale prima di usarla per la prima volta.



AVVERTENZA: questo simbolo indica importanti precauzioni e significa: **Attenzione! Allerta!**

“Sicurezza a rischio.”

Responsabilità dell'acquirente

L'acquirente deve seguire le istruzioni riportate qui di seguito.

1. Leggere e seguire attentamente le regole per un uso sicuro.
2. Seguire tutte le istruzioni di montaggio e preparazione.
3. Controllare l'unità.

4. Assicurarsi che l'operatore sappia come usare correttamente tutta l'attrezzatura standard e gli accessori.
5. Usare l'unità solamente con le protezioni, gli schermi, e tutti gli oggetti di sicurezza installati e in buone condizioni.
6. Regolare correttamente l'unità.
7. Usare solamente parti di ricambio autorizzate o approvate.
8. Completare tutta la manutenzione sull'unità.

Rispetto dell'ambiente

- Non riempire fino all'orlo il serbatoio di combustibile.
- Svuotare il serbatoio di combustibile per il rimessaggio fuori stagione.
- Usare solamente benzina senza piombo.
- Pulire il filtro dell'aria regolarmente.
- Cambiare l'olio regolarmente. Usare olio 5W-30.
- Mettere a punto il motore a intervalli regolari.
- Mantenere l'attrezzatura in buone condizioni di funzionamento.
- Smaffire l'olio del motore in modo adeguato.

MURRAY™		CE
MODEL NO.: 629108x61D SKU No.: YYYY MM DD: _____ SERIAL NO.: 3750 min-1 108 kg		
Manufactured in Lawrenceburg, TN 38464, U.S.A.		

Valori dichiarati di emissione di vibrazioni in conformità con la direttiva 98/37/CE.
Emissione di vibrazioni: in conformità con la normativa EN 1033, 1996: 28,4 m/s².

Valori determinati con l'operatore nella posizione d'uso e la macchina in funzione, stazionaria su una superficie di cemento a 3750 min-1.

Le emissioni dichiarate di rumore nell'aria di LWA 111 dB sono in conformità con la direttiva 2000/14/CE, Allegato V.

Livelli di pressione acustica alla posizione dell'operatore 96 dB.

Valori determinati alle orecchie dell'operatore secondo le specifiche della norma EN ISO 11201.

SIMBOLI INTERNAZIONALI

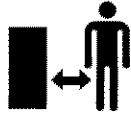
IMPORTANTE: i seguenti simboli sono apposti sull'unità o nella documentazione fornita insieme al prodotto. Prima di usare l'unità, apprendere e capire il significato di ciascun simbolo.

Simboli di avvertenza per la sicurezza



PERICOLO

Oggetti lanciati.



PERICOLO

Oggetti lanciati.

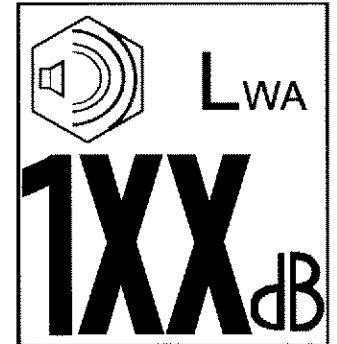


AVVERTENZA



IMPORTANTE

Leggere il Manuale d'uso prima di usare questa macchina.



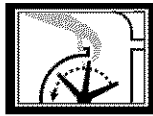
Il livello dichiarato di rumore nell'aria di 111 dB(A) sono in conformità con la direttiva 2000/14/CE.



AVVERTENZA SUPERFICIE CALDA



STOP



PERICOLO

Spegnere il motore prima di liberare lo scivolo di scarica!



PERICOLO

Evitare infortuni causati dalla trivella rotante. Tenere lontano mani, piedi e indumenti.

Simboli per i comandi e l'uso



Piano



Veloce



Avviamento Elettrico



Avviamento Motore



Motore Acceso



Motore Spento



Arresto Motore



Acceso



Valvola dell'aria Aperta



Valvola dell'aria Chiusa



Folle



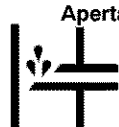
Avanti



Retromarcia



Farfalla



Cicchetto



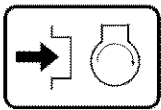
Chiave Accensione



Spento



Acceso



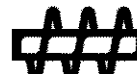
Premere per innestare il motorino di avviamento



Innesto



Innesto Trivella



Collettore Trivella



Scarico GIÙ



Scarico SU



Scarico SINISTRA



Scarico DESTRA



Frizione



Combustibile



Olio



Miscela Combustibile



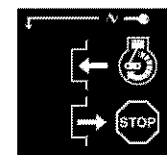
Trasferimento peso Sollevare l'impugnatura per innestare



Trasferimento peso Premere il pedale per disinnestare



Trasmissione



Chiave di accensione Inserire per accendere, estrarre per spegnere.

Uso sicuro degli spazzaneve

IMPORTANTE: le norme di sicurezza prevedono la presenza dei comandi dell'operatore per minimizzare il rischio di infortuni. Lo spazzaneve è dotato dei suddetti comandi. Non tentare di ignorare la funzione del controllo personale dell'operatore in nessuna circostanza.

Preparazione

1. Leggere il manuale di istruzioni e manutenzione attentamente. Acquisire dimestichezza con i comandi e l'uso corretto dell'attrezzatura. Imparare a fermare l'unità e disinnestare i comandi rapidamente.
2. L'attrezzatura non deve essere usata da bambini. Inoltre, non lasciare mai che adulti usino l'attrezzatura senza aver ricevuto istruzioni adeguate.
3. Tenere lontano passanti, specialmente bambini e animali, dalla zona in cui si usa l'attrezzatura.
4. Fare attenzione a non scivolare o cadere, specialmente in retromarcia.

Preparazione

1. Controllare attentamente la zona in cui si intende usare lo spazzaneve e rimuovere tappetini, slitte, assi, fili e altri oggetti.
2. Disinnestare le frizioni prima di accendere il motore.
3. Quando si usa lo spazzaneve, indossare indumenti invernali adeguati. Indossare scarpe che migliorino la trazione su superfici scivolose.
4. Maneggiare il combustibile con cura, è altamente infiammabile.
 - a. Usare un contenitore appropriato per il combustibile.
 - b. Non rimuovere mai il tappo del serbatoio di combustibile o aggiungere combustibile con il motore acceso o caldo.
 - c. Riempire il serbatoio di combustibile all'aperto con molta cura. Non riempire mai il serbatoio di combustibile al chiuso.
 - d. Rimettere il tappo del combustibile sicuramente e pulire il combustibile versato.
 - e. Non conservare mai combustibile o lo spazzaneve con il serbatoio pieno di combustibile dentro un edificio in cui i vapori possano raggiungere una fiamma non protetta o una scintilla.
 - f. Controllare il livello di combustibile nel serbatoio prima dell'uso, lasciando spazio per l'espansione, in quanto il calore del motore e/o del sole possono far espandere il combustibile.
5. Nel caso delle unità con motorini di avviamento elettrici, usare le prolunghe omologate CSA/UL. Usare solamente con una presa installata secondo l'ispezione delle autorità competenti.

6. Regolare l'altezza dello spazzaneve in modo da lasciare spazio per ghiaia o sassi frantumati.
7. Non tentare mai di eseguire regolazioni con il motore acceso (tranne quando specificamente raccomandato dal produttore).
8. Lasciare che il motore e lo spazzaneve si adattino alle temperature esterne prima di iniziare l'operazione.
9. Indossare sempre occhiali di protezione o protezione oculare durante l'uso o la regolazione o riparazione per proteggere gli occhi da oggetti estranei che possono essere lanciati dallo spazzaneve.

Uso

1. Non usare questa macchina se si prendono farmaci che possono causare torpore o compromettere l'abilità di usare questa macchina.
2. Non usare questa macchina se non si è in condizioni mentali o fisiche idonee.
3. Non mettere le mani o i piedi vicino o sotto parti che girano. Tenersi sempre lontano dall'apertura di scarico.
4. Fare attenzione quando si usa lo spazzaneve su vialetti, strade o accessi con ghiaia o quando li si attraversa. Fare attenzione a pericoli nascosti o traffico.
5. Se si urta un oggetto, spegnere il motore, togliere il filo della candela, controllare bene che lo spazzaneve non sia danneggiato, riparare eventuali danni prima di riavviare il motore e riprendere l'operazione dello spazzaneve.
6. Se l'unità comincia a vibrare in modo anormale, spegnere il motore e controllare immediatamente la causa. Le vibrazioni in genere indicano un problema.
7. Spegnere il motore quando si lascia il posto di comando, prima di liberare l'alloggiamento della trivella/girante o lo scivolo di scarico e quando si eseguono riparazioni, regolazioni o ispezioni.
8. Durante la pulizia, le riparazioni o l'ispezione, assicurarsi che la trivella/girante e tutte le parti in movimento si siano fermate e che tutti i comandi siano disinnestati. Scollegare il filo della candela e tenere il filo lontano dalla candela per evitare che la macchina si accenda inaspettatamente.
9. Osservare tutte le precauzioni possibili quando si lascia lo spazzaneve senza sorveglianza. Disinnestare la trivella/girante, spegnere il motore ed estrarre la chiave.
10. Non tenere acceso il motore al chiuso, tranne quando lo si accende e durante il trasporto dentro o fuori dalla rimessa. Aprire le porte esterne; i vapori sono pericolosi (contengono OSSIDO DI CARBONIO un GAS INODORE LETALE).

11. Non spazzare le neve attraverso pendenze. Fare molta attenzione nell'inversione di direzione su pendenze. Non tentare di spazzare la neve su pendenze ripide.
12. Non usare mai lo spazzaneve senza le protezioni, targhe o altri dispositivi di sicurezza installati.
13. Non usare mai lo spazzaneve vicino a recinzioni, automobili, incassature di finestre, dislivelli, e simili senza aver prima regolato adeguatamente l'angolo di scarica della neve. Tenere lontano bambini e animali.
14. Non tentare di spazzare la neve troppo velocemente.
15. Non usare mai la macchina ad alta velocità di trasporto su superfici sdruciolevoli. Guardare indietro e fare attenzione in retromarcia.
16. Non dirigere mai lo scarico verso passanti e non permettere a nessuno di mettersi davanti alla macchina.
17. Disinnestare l'alimentazione al raccoglitore/tirante quando si trasporta o non si usa lo spazzaneve.
18. Usare solamente accessori approvati dal produttore dello spazzaneve (come catene per pneumatici, kit di avviamento elettrico, ecc.).
19. Non usare mai lo spazzaneve in condizioni di scarsa visibilità o luce. Tenere ben piantati i piedi e afferrare sempre saldamente le impugnature. Camminare, non correre mai.
20. Non allungare le braccia o il corpo. Tenere ben appoggiati a terra i piedi e mantenere sempre l'equilibrio.
21. Fare attenzione su superfici ripide.
22. Questo spazzaneve è previsto per l'uso su marciapiedi, viali di accesso e altre superfici a livello terra.
23. Non usare lo spazzaneve su superfici a livelli alti come tetti o residenze, garage, verande o altre simili strutture o edifici.

Manutenzione e rimessaggio

1. Controllare frequentemente i bulloni di sicurezza e altri bulloni per verificare che siano ben stretti e che l'attrezzatura sia in buone condizioni di funzionamento.
2. Non conservare mai lo spazzaneve con il serbatoio pieno di combustibile in un edificio in cui siano presenti fonti di possibile incendio come acqua calda, stufe, asciugatrici, ecc. Lasciare che il motore si raffreddi prima di conservare lo spazzaneve al chiuso.
3. Consultare sempre le istruzioni per l'uso per importanti dettagli, se lo spazzaneve deve essere conservato per un lungo periodo.
4. Mantenere o sostituire etichette di sicurezza e istruzioni, come dal caso.
5. Tenere acceso lo spazzaneve per pochi minuti dopo l'uso per prevenire il congelamento della trivella/girante.

MONTAGGIO

Leggere e seguire le istruzioni per il montaggio e la regolazione dello spazzaneve. Tutti i dispositivi di fissaggio sono inclusi nel sacchetto della parti. Non gettare parti o materiale fino a montaggio ultimato.



AVVERTENZA: prima di effettuare il montaggio o la manutenzione, rimuovere il filo della candela.

NOTA: in questo manuale di istruzioni, sinistra e destra si riferiscono alla posizione di una parte dal punto di vista dell'operatore dietro l'unità.

NOTA: la torsione viene misurata in piedi/libbre (N.m nel sistema metrico). Questa misura descrive di quanto deve essere stretto un dado o un bullone. La torsione viene misurata con una chiave torsionometrica.

NOTA: le illustrazioni iniziano a pagina 2.

NOTA: i dispositivi di fissaggio e le parti sciolte sono raffigurate a grandezza naturale nella Figura 30.

Attrezzi necessari

- 1 Coltello
- 1 Pinze
- 2 Chiavi a forchetta da 1/2"
- 2 Chiavi a forchetta da 9/16"
- 2 Chiavi a forchetta da 3/4"
- 1 Metro o riga
- 1 Cacciavite

Estrazione dello spazzaneve dalla scatola

1. (Figura 1) Spazzaneve nella posizione di spedizione.
2. Tagliare e gettare i lacci di plastica che fissano il gruppo della manovella.
3. Tagliare i quattro angoli della scatola e appiattire i pannelli laterali.
4. Individuare tutte le parti imballate separatamente e rimuoverle dalla scatola.
5. Rimuovere il materiale di imballaggio attorno allo spazzaneve e gettarlo.
6. (Figura 2) Per il trasporto, i pattini ad altezza regolabile (7) sono fissati al pallet. Rimuovere la vite (17) che fissa ciascun pattino ad altezza regolabile (7) al pallet.
7. Tenendo l'impugnatura inferiore estrarre lo spazzaneve dalla paletta.

ATTENZIONE: NON schiacciare i cavi.

8. Rimuovere il materiale di imballaggio dal gruppo dell'impugnatura.
9. Tagliare i lacci che fissano i cavi di controllo della frizione (1) all'impugnatura inferiore (2). Spostare i cavi dal telaio del motore.

Montaggio del gruppo impugnatura e del gruppo manovella

1. (Figura 3) Allentare, senza rimuovere, i dispositivi di fissaggio (1) nei fori in alto dell'impugnatura inferiore.
2. Rimuovere i dispositivi di fissaggio e il golfare del gruppo manovella (11) dai fori in basso dell'impugnatura inferiore.
3. (Figura 2) Spostare la leva del cambio (6) in prima avanti.
4. (Figura 3) Sollevare l'impugnatura superiore (2) in posizione di servizio.
NOTA: controllare che i cavi non siano impigliati fra l'impugnatura superiore e quella inferiore.
5. Installare i dispositivi di fissaggio e il golfare del gruppo manovella (11) rimossi nel punto 2. NON serrare fino a quando i dispositivi di fissaggio non sono tutti installati.
6. (Figura 5) Fissare l'asta della manovella (15) al gruppo del giunto cardanico (16) mediante il chiodino (12).
7. (Figura 3) Serrare il dado sul golfare (11). Controllare che il golfare (11) sia allineato correttamente e che la manovella (18) possa girare liberamente.
8. Serrare tutti i dispositivi di fissaggio.

Installazione dell'albero di controllo della velocità

1. (Figura 8) Fissare il giunto a snodo (6), che si trova sul fondo dell'albero di controllo della velocità (2), al gruppo della forcella del cambio (7). I dispositivi di fissaggio (8) sono attaccati al giunto a snodo (6) in fabbrica.

La lunghezza del giunto a snodo (6) e dell'albero di controllo della velocità (2) è stata regolata in fabbrica. In caso si rendesse necessario modificarla, allentare il dado (9). Rimuovere i dispositivi di fissaggio (8) per staccare il giunto a snodo (6) dal gruppo della forcella del cambio (7). Per allungare o accorciare l'albero di controllo della velocità (2), girare l'adattatore (10) per ottenere la lunghezza corretta.

2. (Figura 4) Fissare l'impugnatura (11) sulla leva di selezione della velocità (5). In alcuni modelli, l'impugnatura (11) è già avvitata. Per bloccare in posizione, serrare il controdado esagonale (10) contro il fondo dell'impugnatura (11).
3. Assicurarsi che la leva di selezione della velocità (5) funzioni come previsto. Spostare la leva di selezione della velocità (5) in tutte le velocità.

Montaggio del deflettore dello scivolo

1. (Figura 6) Rimuovere il bullone a legno (1).
2. Sollevare il deflettore dello scivolo (2) in posizione di esercizio (3).
3. Fissare il deflettore dello scivolo (2) alla flangia (4) con i bulloni a legno (1). Assicurarsi che la testa dei bulloni a legno (1) si trovi all'interno della flangia (2).
4. Fissare con rondelle (5) e dadi di bloccaggio (6).

5. Stringere bene i dadi di bloccaggio (6).

NOTA: verificare che tutti i bulloni a legno nella flangia siano ben stretti, ma NON STRINGERE ECCESSIVAMENTE.

Controllare i cavi

1. (Figura 7) Controllare il cavo di azionamento della trazione (1) e il cavo di azionamento della trivella (2). Se il capo inferiore dei cavi è scollegato, reinstallare le cavi.
2. (Figura 9) Se la parte superiore dei cavi (5) si è staccata dalle leve di azionamento (6), collegare i cavi (5) al raccordo "Z" (7).

Regolazione dell'altezza dei pattini (Figura 2)

Lo spazzaneve è munito di pattini dall'altezza regolabile (7) montati esternamente sull'alloggiamento della trivella (4). Per regolare l'altezza dei pattini, vedere "Regolazione dell'altezza dei pattini" nella sezione sulla Manutenzione.

Come regolare la lunghezza dei cavi

I cavi sono stati regolati in fabbrica e non dovrebbe essere necessario regolarli nuovamente. Tuttavia, dopo aver collocato in posizione di servizio le impugnature, i cavi possono risultare troppo o non sufficientemente tesi. In caso si renda necessario regolarli, vedere "Controllo e regolazione dei cavi" nella sezione sulle riparazioni e regolazione.

Montaggio della lama a deriva (se in dotazione)

Le lame a deriva sono usate per tagliare un percorso nella neve più profondo dell'alloggiamento della trivella.

1. (Figura 10) Allentare i dispositivi di fissaggio (2) che fissano le lame a deriva (1) all'alloggiamento della trivella.
2. Sollevare le lame a deriva (1) all'altezza desiderata.
3. Serrare i dispositivi di fissaggio (2).

Preparazione del motore

NOTA: il motore è stato inviato dalla fabbrica pieno di olio. Controllare il livello dell'olio. Aggiungere olio se necessario.



AVVERTENZA: seguire le istruzioni del produttore del motore per il tipo di benzina e di olio da usare. Usare sempre un contenitore di combustibile di sicurezza. Non fumare mentre si aggiunge benzina al motore. Se al chiuso, non riempire con benzina. Prima di aggiungere benzina, spegnere il motore e lasciare che si raffreddi per diversi minuti.

Vedere le istruzioni del produttore per il tipo di combustibile e olio da usare. Prima di usare l'unità, leggere le informazioni sulla sicurezza, l'uso, la manutenzione e il rimessaggio.

Importante! Prima di usare:

- ❑ **Controllare tutti i dispositivi di fissaggio. Verificare che siano tutti ben stretti.**
- ❑ **Nel caso dei modelli ad avviamento elettrico, l'unità è stata spedita con il cavo del motorino di avviamento inserito nel motore. Prima di usare: disinserire il cavo del motorino di avviamento dal motore.**

USO

NOTA: le illustrazioni iniziano a pagina 2.

Acquisire dimestichezza con lo spazzaneve (Figura 2)

Prima di usare lo spazzaneve, leggere questo manuale di istruzioni e le regole di sicurezza. Mettere a raffronto l'illustrazione e lo spazzaneve per acquisire dimestichezza con la posizione dei diversi comandi e delle regolazioni.

Leva di azionamento della trazione (1) – Seleziona la direzione di marcia: in avanti o retromarcia.

Gruppo manovella (2) – Cambia la direzione dello scivolo di scarico.

Scivolo di scarico (3) – Cambia la distanza a cui viene gettata la neve.

Leva di azionamento della trivella (5) – Avvia e ferma la trivella e il girante (raccolta e getto di neve).

Leva del cambio (6) – Seleziona la velocità dello spazzaneve.

Pattino ad altezza regolabile (7) – Regola l'altezza da terra dell'alloggiamento della trivella.

Chiave di accensione (8) – Deve essere inserita per accendere il motore.

Pulsante del cicchetto (9) – Inietta il combustibile direttamente nel carburatore per accendere rapidamente il motore quando la temperatura è molto bassa.

Pulsante del motorino di avviamento elettrico (10) – Nei modelli ad avviamento elettrico, viene usato per avviare il motore.

Cassetta dell'interruttore (11) – Sui modelli ad avviamento elettrico, viene usata per collegare un cavo di alimentazione da 220 Volt.

Impugnatura di avviamento manuale (12) – Usata per avviare manualmente il motore.

Comando della valvola a farfalla (13) – Controlla la velocità del motore.

Comando della valvola dell'aria (14) – Usato per avviare un motore freddo.

Lame a deriva (18) – (se in dotazione) Tagliano un percorso nella neve più profondo dell'alloggiamento della trivella.

Bulloni di sicurezza (19) – Per proteggere la macchina, gli speciali bulloni di sicurezza si F-031065L

rompono se un oggetto si incastra nell'alloggiamento della trivella. Se si usa un bullone più duro, la protezione altrimenti fornita dal bullone di sicurezza non esiste.

Controllo dello scarico della neve

AVVERTENZA: non dirigere mai lo scarico della neve verso passanti.



AVVERTENZA: spegnere sempre il motore prima di liberare lo scivolo di scarico o l'alloggiamento della trivella e prima di allontanarsi dallo spazzaneve.

1. (Figura 2) Girare il **gruppo manovella (2)** per cambiare la direzione di scarico della neve.
2. (Figura 11) Allentare la **manopola ad alette (1)** sul **deflettore dello scivolo (2)**.
3. Spostare in su il **deflettore dello scivolo (2)** per aumentare la distanza, spostarlo in giù per diminuire la distanza.
4. Serrare la **manopola ad aletta (1)**.

Interruzione delle operazioni dello spazzaneve (Figura 2)

1. Per interrompere lo scarico di neve, rilasciare la **leva di azionamento della trivella (5)**.
2. Per fermare le ruote, rilasciare la **leva di azionamento della trazione (1)**.
3. Per spegnere il motore, spingere sulla posizione di disattivazione la **leva di controllo della valvola a farfalla (13)** ed estrarre la **chiave (8)**.

Spostamenti in avanti e indietro (Figura 2)

1. Per cambiare la velocità sul terreno, rilasciare la **leva di azionamento della trazione (1)** e spostare sulla marcia desiderata la **leva del cambio (6)**.
2. La velocità sul terreno è determinata dalle condizioni della neve. Selezionare la velocità spostando la **leva del cambio (6)** nella fessura appropriata della piastra della leva.

Marcia 1, 2 Bagnata, pesante

Marcia 3 Leggera

Marcia 4 Molto leggera

Marcia 5, 6 Solamente per il trasporto

3. Per andare in avanti, innestare la **leva di azionamento della trazione (1)**. Mantenere ben salde le impugnature mentre lo spazzaneve inizia a spostarsi in avanti. Guidare lo spazzaneve spostando l'impugnatura a sinistra o a destra. Non tentare di spingere lo spazzaneve.
4. Per la retromarcia, rilasciare la **leva di azionamento della trazione (1)**.
5. Spostare la **leva del cambio (6)** in prima o seconda retromarcia.
6. Innestare la **leva di azionamento della trazione (1)**.

IMPORTANTE: non spostare la **leva del cambio (6)** con la **leva di azionamento della trazione (1)** innestata.

Lancio di neve (Figura 2)

1. Innestare la **leva di azionamento della trivella (5)**.

2. Per interrompere il lancio di neve, rilasciare la **leva di azionamento della trivella (5)**.



AVVERTENZA: l'uso di attrezzature che lanciano oggetti può far sì che detti oggetti colpiscano la regione oculare, con gravi lesioni agli occhi. Indossare sempre occhiali di sicurezza o protezione oculare quando si usa uno spazzaneve. Raccomandiamo occhiali di sicurezza standard o una maschera di sicurezza a grande campo visivo sopra gli occhiali da vista.

Uso del perno di blocco delle ruote (Figura 12)

1. La ruota sinistra è fissata all'assale mediante un **perno d'arresto (1)**. L'unità è stata spedita con il **perno d'arresto (1)** inserito attraverso il foro della ruota in **posizione di blocco (2)**.
2. Per migliorare la manovrabilità in neve leggera, mettere in **posizione sbloccata (3)** il **perno d'arresto (1)**.
3. Staccare il **perno d'arresto (1)** dalla **posizione di blocco (2)** della ruota. Spingere il **perno d'arresto (1)** solamente attraverso il foro sbloccato dell'assale. L'unità è ora nella **posizione sbloccata (3)** con trazione su una ruota sola.

Prima di accendere il motore

1. Prima di compiere qualsiasi operazione di manutenzione o accendere il motore, acquisire dimestichezza con lo spazzaneve. Apprendere la funzione e posizione di tutti i comandi.
2. Controllare la tensione del cavo della frizione prima di accendere il motore. Vedere "Regolazione del cavo della frizione" nella sezione sulla Manutenzione di questo manuale.
3. Assicurarsi che tutti dispositivi di fissaggio siano ben stretti.
4. Assicurarsi che i pattini ad altezza regolabile siano regolati correttamente. Vedere "Regolazione dell'altezza dei pattini" nella sezione sulla manutenzione di questo manuale.
5. Controllare la pressione dell'aria nei pneumatici. La pressione corretta è 14 PSI (1 BAR) – 17 PSI (1,25 BAR). Non superare la pressione massima indicata sul lato del pneumatico.

Spegnimento del motore (Figura 2)

Per spegnere il motore, spostare il **comando della valvola a farfalla (3)** nella posizione di spegnimento e rimuovere la **chiave (8)**. Conservare la **chiave (8)** al sicuro. Il motore non può accendersi senza la **chiave (8)**.

Accensione del motore (Figura 2)

Modelli dotati di motorino di avviamento elettrico

NOTA: è possibile aggiungere un kit di avviamento elettrico ai motori ad avviamento manuale. I kit di avviamento elettrico sono disponibili presso il centro di assistenza autorizzato di zona.



AVVERTENZA il motorino di avviamento elettrico è munito di un cavo di alimentazione a tre fili ed è previsto per corrente residenziale da 220 volt C.A. Il cavo di alimentazione deve essere sempre messo a terra correttamente per evitare la possibilità di scosse elettriche con conseguenti infortuni. Seguire attentamente tutte le istruzioni nella sezione sull'avviamento del motore. Assicurarsi che l'impianto elettrico di casa sia a tre fili con messa a terra. In caso di dubbi, consultare un elettricista qualificato. Se il sistema di casa non è a tre fili con messa a terra, non usare il motorino di avviamento elettrico. Se il sistema di casa è dotato di messa a terra ma non dispone di una presa a tre poli, farla installare da un elettricista qualificato. Per collegare il cavo di alimentazione a 220 volt C.A., collegare sempre prima il cavo di alimentazione alla scatola dell'interruttore (11) sul motore. Quindi, inserire l'altro capo nella presa a tre poli con messa a terra. Per scollegare il cavo di alimentazione, staccare sempre prima il cavo dalla presa con messa a terra.

Avviamento a freddo del motore (Figura 2)

1. Controllare l'olio del motore.
2. Riempire il serbatoio di benzina regolare senza piombo. Consultare "Preparazione del motore".
3. Assicurarsi che la **leva di azionamento della trazione (1)** e la **leva di azionamento della trivella (5)** siano in posizione disinnestata (rilasciata).
4. Mettere il **comando della valvola a farfalla (13)** in posizione veloce.
5. Inserire la **chiave (8)** nell'apposito foro. Assicurarsi che la **chiave (8)** scatti in sede. **Non girare la chiave (8)**. Rimuovere la chiave di accensione di riserva e conservarla al sicuro.
6. Mettere il **comando della valvola dell'aria (14)** in posizione completamente chiusa.
7. (Avviamento elettrico) Collegare il cavo di alimentazione alla **scatola dell'interruttore (11)** sul motore.
8. (Avviamento elettrico) Inserire l'altro capo del cavo di alimentazione in una presa a tre poli, con messa a terra, da 220 VOLT, C.A. (Vedere l'AVVERTENZA in questa sezione).
9. Schiacciare il **pulsante del cicchetto (9)** e attendere due secondi. Le istruzioni del produttore del motore, indicano quante volte occorre schiacciare il **pulsante del cicchetto (9)**.
10. (Avviamento elettrico) Premere il **pulsante di avviamento elettrico (10)** fino ad avviare il motore. Non premere per più di 10 secondi alla volta. Il motorino di avviamento elettrico è a protezione termica, se si surriscalda si blocca automaticamente e può essere riavviato solamente una volta raggiunta una temperatura sicura. Occorre attendere circa 5 – 10 minuti che il motorino di avviamento elettrico si raffreddi.

11. (Avviamento manuale) Tirare rapidamente l'**impugnatura di avviamento manuale (12)**, evitando che si riavvolga. Riportare lentamente nella posizione iniziale l'**impugnatura di avviamento manuale (12)**.
12. Se il motore non si avvia, riprovare 5 o 6 volte. Consultare le istruzioni nella "Tabella per la soluzione dei problemi".
13. (Avviamento elettrico) Una volta avviato il motore, rilasciare il **pulsante di avviamento elettrico (10)** e mettere il **comando della valvola dell'aria (14)** su metà. Quando il motore è in funzione, spostare il **comando della valvola dell'aria (14)** in posizione disattivata.
14. (Avviamento elettrico) Scollegare il cavo di alimentazione dalla presa a tre poli. Quindi, scollegarlo dalla **scatola dell'interruttore (11)**.
NOTA: in temperature sotto -18°C (0°F), attendere che il motore si riscaldi prima di spazzare la neve.
15. Durante il funzionamento, il **comando della valvola a farfalla (13)** deve essere in posizione veloce.



AVVERTENZA: non lasciare mai acceso il motore al chiuso o in zone protette con scarsa ventilazione. I vapori di scarico del motore contengono ossido di carbonio, un gas inodore letale. Tenere mani, piedi, capelli e indumenti lontano da parti in movimento sul motore o sullo spazzaneve. La temperatura della marmitta e delle zone vicine può superare 67°C (150°F). Stare lontano da queste zone.

Avviamento di un motore caldo (Figura 2)

Se un motore era in funzione ed è ancora caldo, lasciare il **comando della valvola dell'aria (14)** in posizione disattivata e non schiacciare il **pulsante del cicchetto (9)**. Se il motore non si avvia, seguire le istruzioni nella sezione "Avviamento di un motore a freddo".

NOTA: non usare il pulsante del cicchetto (9) per avviare un motore caldo.

Accensione di un motore con un motorino di avviamento elettrico gelato (Figura 2)

Se il motorino di avviamento elettrico è gelato e non avvia il motore, seguire le istruzioni qui di seguito.

1. Tirare l'**impugnatura di avviamento manuale (12)** il più possibile.
2. Lasciare andare di colpo l'**impugnatura di avviamento manuale (12)** lasciando che si riavvolga di colpo.

Se il motore non si accende, ripetere le due operazioni indicate qui sopra fino a quando non si avvia. Quindi, passare alle istruzioni della sezione "Avviamento di un motore a freddo". Per evitare che l'avviamento manuale e i comandi del motore si gelino, procedere come indicato qui sotto dopo aver spazzato la neve.

1. Con il motore in moto, tirare rapidamente l'**impugnatura di avviamento manuale (12)** tre o quattro volte con un movimento continuo del braccio. Si sentirà un forte rumore, che peraltro non danneggia il motore o l'avviatore.
2. Spegnerne il motore. Pulire la neve e l'umidità dal carburatore, dalle leve di comando e dai cavi. Muovere il **comando della valvola a farfalla (13)**, il **comando della valvola dell'aria (14)**, e l'**impugnatura di avviamento manuale (12)** diverse volte.

Rimozione della neve o di detriti dall'alloggiamento della trivella (Figura 2)



AVVERTENZA: non tentare di rimuovere neve o detriti incastrati nell'alloggiamento della trivella senza seguire le precauzioni indicate qui di seguito.

1. Lasciare andare la **leva di azionamento della trivella (5)**.
2. Mettere il **comando della valvola a farfalla (13)** in posizione di arresto.
3. Rimuovere (non girare) la **chiave (8)**.
4. Staccare il filo della candela.
5. Non introdurre le mani nell'**alloggiamento della trivella (4)** o nello **scivolo di scarico (3)**. Usare un palanchino per rimuovere neve o detriti.

Suggerimenti per spazzare la neve

1. Per aumentare l'efficienza, cambiare la velocità sul terreno, MAI la velocità del motore. Il motore raggiunge il massimo rendimento con la valvola a farfalla completamente chiusa e deve girare sempre in posizione veloce. In neve profonda, gelata o bagnata, ridurre la velocità in avanti. Anche se la ruota slitta, ridurre la velocità in avanti.
2. Il modo più efficiente di rimuovere la neve è non appena cade.
3. Per rimuovere la neve completamente, ripetere in parte i percorsi.
4. Se possibile, scaricare la neve sottovento.
5. Per l'uso normale, regolare i pattini in modo che la barra di raschiatura si trovi a circa 3 mm sopra i pattini. Per superfici con neve compatta molto dura, regolare i pattini verso l'alto in modo che la barra di raschiatura tocchi il terreno.
6. Non raccogliere e gettare con la macchina sassi e ghiaia. Su ghiaia o superfici sassose, regolare i pattini su 3,34 cm sotto la barra di raschiatura. Vedere "regolazione dell'altezza dei pattini" nella sezione sulla manutenzione.
7. Dopo l'uso, lasciare il motore in pausa per alcuni minuti. Neve e ghiaccio accumulati si sciogliono sul motore.
8. Pulire lo spazzaneve dopo l'uso.
9. Rimuovere ghiaccio, neve e detriti dallo spazzaneve. Lavare con acqua per rimuovere sale o altri prodotti chimici. Asciugare lo spazzaneve.

TABELLA DI MANUTENZIONE

RESPONSABILITÀ DEL CLIENTE

RECORD DI SERVIZIO Scrivere la data dell'operazione di manutenzione.	Prima dell'uso	Le prime 2 ore	Ogni 5 ore	Ogni 10 ore	Ogni 25 ore	Ogni stagione	Prima del rimessaggio	DATE DI SERVIZIO
Controllo dell'olio	√		√			√		
Cambio dell'olio					√	√		
Controllo e regolazione di viti e dadi	√					√		
Controllo della candela					√	√		
Regolazione della cinghia di trasmissione		√			√	√		
Controllo del combustibile	√							
Drenaggio del combustibile							√	
Controllo della regolazione del cavo dell'innesto della trivella (Vedi Regolazione dei cavi)		√				√		
Controllo della regolazione del cavo dell'innesto della trazione (Vedi Regolazione dei cavi)		√				√		
Lubrificazione di tutti i punti di perno				√			√	
Lubrificazione dell'albero della trivella (Vedere Sostituzione dei bulloni di sicurezza)				√			√	
Lubrificazione di catene e denti				√			√	

MANUTENZIONE

NOTA: le illustrazioni iniziano a pagina 2.

Usare la seguente sezione sulla manutenzione per mantenere in buone condizioni l'unità. Tutte le informazioni sulla manutenzione per il motore sono incluse nelle istruzioni del produttore del motore. Prima di avviare il motore, leggere questo manuale.



AVVERTENZA: Prima di eseguire ni, regolazioni (tranne del carburatore), o riparazioni, staccare il filo della candela.

Raccomandazioni di carattere generale

La garanzia di questo spazzaneve non copre parti maltrattate o trascurate dall'operatore. Per ricevere il valore totale in garanzia, l'operatore deve mantenere lo spazzaneve come indicato in questo manuale.

Occorre completare periodicamente alcune regolazioni per mantenere in buone condizioni di funzionamento lo spazzaneve.

Dopo l'uso

- Controllare che non vi siano parti staccate o danneggiate.
- Serrare dispositivi di fissaggio allentati.
- Controllare ed eseguire la manutenzione della trivella.

F-031065L

- Controllare che i comandi funzionino come previsto.
- Sostituire immediatamente parti usurate o danneggiate.

Tutte le regolazioni incluse nella sezione sulla **Manutenzione** di questo manuale devono essere controllate come minimo al cambio di stagione.

Agli intervalli necessari

La seguente regolazione deve essere completata più di una volta per stagione.

1. Regolare la cinghia di azionamento della trivella dopo le prime 2-4 ore, a metà stagione, e in seguito due volte per stagione. Vedere "Regolazione della cinghia di azionamento della trivella" nella sezione sulla Manutenzione.

Lubrificazione

Ogni 10 ore (Figura 13)

1. Lubrificare i **raccordi Zerk (1)** ogni dieci ore con una pistola per ingrassaggio.
2. Ad ogni sostituzione di un bullone di sicurezza, occorre ingrassare l'albero della trivella.
3. Lubrificare tutti i punti di perno.

Ogni 25 ore

Ingranaggio di rotazione dello scivolo

(Figura 5) Lubrificare l'ingranaggio di rotazione dello scivolo (1) con olio per motori.

Catene

1. (Figura 2) Mettere la **leva del cambio (6)** in prima.
2. Drenare la benzina dal serbatoio. Alzare lo spazzaneve e appoggiarlo sul lato anteriore dell'**alloggiamento della trivella (4)**.



AVVERTENZA: drenare la benzina all'aperto, lontano da fuoco o fiamme.

3. (Figura 20) Allentare i **bulloni (3)** su ciascun lato del **pannello inferiore (2)**.
4. Rimuovere il pannello inferiore (2).
5. (Figura 14) Lubrificare le **catene (5)** con un lubrificante apposito.
6. Pulire l'**asta esagonale e le ruote dentate (6)** con olio per motore 5W30.

NOTA: se grasso o olio entra in contatto con la piastra di azionamento del disco (1) o la ruota della frizione (3), si possono verificare danni. Pulire eventuali tracce d'olio con un solvente a base di alcool.

7. (Figura 20) Installare il **pannello inferiore (2)**.
8. Serrare i **bulloni (3)** sui lati del **pannello inferiore (2)**.

Parti che non devono essere lubrificate (Figura 14)

1. Non lubrificare l'**albero esagonale e i denti (6)**. Tutti i cuscinetti e le boccole sono lubrificate a vita. Per il rimessaggio, versare una piccola quantità di olio 5W-30 su un panno e strofinare l'**albero esagonale e i denti (6)** per prevenire ruggine.
2. Se il grasso o l'olio entra in contatto con la **piastra di azionamento del disco (1)** o la **ruota di frizione (3)**, la **ruota di frizione (3)** può essere danneggiata. Pulire bene la **piastra di azionamento del disco (1)** e la **ruota di frizione (3)**.
ATTENZIONE: l'ingrassaggio dei componenti descritti qui sopra può causare contaminazione della ruota di frizione (3). Se la piastra di azionamento del disco (1) o la ruota di frizione (3) sono contaminate con olio o grasso, la ruota di frizione viene danneggiata.
3. La cassa degli ingranaggi della trivella è lubrificata in fabbrica e non deve essere ulteriormente lubrificata. Se il lubrificante fuoriesce, fare controllare la cassa degli ingranaggi della trivella presso un centro di assistenza autorizzato.

Regolazione dell'altezza dei pattini (Figura 2)

Questo spazzaneve è munito di due **pattini ad altezza regolabile (7)**. Questi pattini alzano la parte anteriore dello spazzaneve. Per superfici dure normali, come un viale di ingresso asfaltato, regolare i pattini nel modo seguente.

1. Collocare lo spazzaneve su una superficie piana.
2. Controllare che entrambi i pneumatici siano gonfi alla stessa pressione. La pressione deve essere 14 PSI (1 BAR) – 17 PSI (1,25 BAR). Non superare la pressione massima indicata sul lato del pneumatico.
3. Collocare i bulloni di sicurezza in più (**inclusi nel sacchetto delle parti**) sotto ciascuna estremità della **barra raschiatrice (15)** vicino ai **pattini ad altezza regolabile (7)**.
4. Allentare i **dadi di montaggio (16)** che fissano i **pattini ad altezza regolabile (7)**. Per abbassare la parte anteriore dello spazzaneve, sollevare ciascun **pattino ad altezza regolabile (7)**. Serrare i **dadi di montaggio (16)**.

NOTA: per superfici sassose o accidentate, sollevare la parte anteriore dello spazzaneve spostando in giù i pattini ad altezza regolabile (7).



AVVERTENZA: mantenere sempre un'adeguata distanza da terra per l'area da pulire. Oggetti come ghiaia, sassi o altri detriti, quando colpiti dal girante, possono essere gettati con forza sufficiente da causare infortuni, danni a proprietà o allo spazzaneve.

Regolazione della barra raschiatrice (Figura 2)

Dopo un uso considerevole, la **barra raschiatrice (15)** diventa usurata. La **barra raschiatrice (15)**, insieme ai pattini, deve essere regolata in modo da lasciare una

distanza di circa 3,5 mm fra la stessa e il marciapiede o l'area da pulire.

1. Collocare lo spazzaneve su una superficie piana.
2. Controllare che entrambi i pneumatici siano gonfi alla stessa pressione. La pressione deve essere 14 PSI (1 BAR) – 17 PSI (1,25 BAR). Non superare la pressione massima indicata sul lato del pneumatico.
3. Allentare i bulloni a legno e i dadi che fissano la **barra raschiatrice (15)** all'**alloggiamento della trivella (4)**.
4. Regolare la **barra raschiatrice (15)** in modo da lasciare circa 3,5 mm fra la stessa e il marciapiede o l'area da pulire.
5. Serrare i bulloni a legno e i dadi. Controllare che la **barra raschiatrice (15)** sia parallela al marciapiede o all'area da pulire.
6. Per prolungare la vita della **barra raschiatrice (15)**, rimuovere e invertire il montaggio della **barra raschiatrice (15)**.

Controllo e regolazione dei cavi

Il cavo di azionamento della trazione e il cavo di azionamento della trivella sono regolati in fabbrica. Durante l'uso normale, un cavo può stirarsi e deve essere controllato e regolato nel seguente modo.

Controllo dei cavi (Figura 15)

1. Per controllare la tensione dei cavi, scollegare il **raccordo "Z" (1)** dalla **leva di azionamento (2)**.
2. Spostare in avanti la **leva di azionamento (2)** fino a quando non tocca il **paraurti in plastica (3)**.
3. La tensione del cavo è corretta se il centro del **raccordo "Z" (1)** è **allineato (4)** con il foro nella **leva di azionamento (2)** senza che il cavo si abbassi.

Regolazione de cavo di azionamento della trivella

1. Drenare la benzina dal serbatoio. Mettere lo spazzaneve sul lato anteriore dell'alloggiamento della trivella.



AVVERTENZA: drenare la benzina all'aperto, lontano da fuoco o fiamme.

2. (Figura 15) Scollegare il **raccordo "Z" (1)** dalla **leva di azionamento (2)**.
3. (Figura 16) Tirare il coperchio della molla in su in modo da esporre la **molla (5)**. Tirare il **cavo (6)** attraverso la **molla (5)** in modo da esporre l'**estremità quadra (7)** sul **cavo (6)**.
4. Tenere con pinze l'**estremità quadra (7)** e regolare il **controdado (8)** in dentro o in fuori fino a quando il cavo non sia ben teso.
5. Tirare il **cavo (6)** attraverso la **molla (5)**.
6. (Figura 15) Collegare il **raccordo "Z" (1)** alla **leva di azionamento (2)**.

NOTA: quando si regola o sostituisce la cinghia di azionamento della trivella, occorre controllare e regolare il cavo.

Regolazione del cavo di azionamento della trazione

1. Estrarre la benzina dal serbatoio. Porre in posizione verticale lo spazzaneve sul lato anteriore dell'alloggiamento della trivella.



AVVERTENZA: drenare la benzina dal serbatoio, lontano da fuoco o fiamme

2. (Figura 20) Allentare i **bulloni (3)** su ciascun lato del **pannello inferiore (2)**.
3. Rimuovere il **pannello inferiore (2)**.
4. (Figura 15) Staccare il **raccordo a "Z" (1)** dalla **leva di azionamento della trazione (2)**.
5. (Figura 25) Fare scorrere la **guaina del cavo (3)** fuori dalla **staffa di regolazione del cavo (4)**.
6. Premere il pulsante del **cavo di controllo della trazione (5)** attraverso la **staffa di regolazione del cavo (4)** fino a poter rimuovere il **gancio a "Z" (6)**.
7. Rimuovere il **gancio a "Z" (6)** dalla **staffa di regolazione del cavo (4)**. Spostare in giù il **gancio a "Z" (6)** nel foro di regolazione successivo.
8. Tirare in su il **cavo di controllo della trazione (5)** attraverso la **staffa di regolazione del cavo (4)**.
9. Tirare la **guaina del cavo (3)** sulla **staffa di regolazione del cavo (4)**.
10. (Figura 15) Installare il **raccordo a "Z" (1)** nella **leva di azionamento della trazione (2)**.
11. (Figura 14) Per controllare la regolazione, premere la leva del cambio e controllare la **lunghezza "A" della molla di azionamento (7)**. Se la regolazione è corretta, la **lunghezza "A" della molla di azionamento (7)** è la seguente:
minimo 3 pollici (76 mm.)
massimo 3-3/8 pollici (85 mm.).
12. (Figura 20) Installare il **pannello posteriore (2)**.
13. Serrare i bulloni (3) su ciascun lato del pannello inferiore (2).

Regolazione delle cinghie

Le cinghie si stirano durante l'uso normale. Per regolare le cinghie, a causa di usura o stiramenti, procedere nel seguente modo.

Regolazione della cinghia di azionamento della trivella

Se lo spazzaneve non scarica neve, controllare il cavo di azionamento della trivella. Vedere "Controllo e regolazione dei cavi" nella sezione sulla manutenzione. Se la regolazione è corretta, controllare le condizioni della cinghia di azionamento della trivella. Se è danneggiata, sostituirla. Vedere "Sostituzione delle cinghie" nella sezione sulla Manutenzione. Se la cinghia di azionamento della trivella è allentata, regolarla nel seguente modo.

1. Staccare il filo della candela.
2. (Figura 17) Rimuovere la **vite (2)** dal **coperchio della cinghia (1)**. Rimuovere il **coperchio della cinghia (1)**.
3. (Figura 18) Allentare il **dado (2)** sulla **puleggia tendicinghia (3)** Spostare la **puleggia tendicinghia (3)** di circa 3,5 mm verso la **cinghia di azionamento della trivella (4)**.

- Serrare il **dado (2)**.
- (Figura 19)** Premere la leva di azionamento della trivella. Controllare la tensione sulla **cinghia di azionamento della trivella (4)**. Se la regolazione è corretta, la **cinghia di azionamento della trivella (4)** si piega di circa **13 mm (5)** sotto una pressione moderata. Se la regolazione non è corretta, ripeterla.
- (Figura 17)** Installare il coperchio della **cinghia (1)**. Serrare la **vite (2)**.
- Controllare la regolazione del cavo di azionamento della trivella. Vedere "Controllo e regolazione dei cavi" nella sezione sulla manutenzione.
- Collegare il filo della candela.

Cinghia di azionamento della trazione

La cinghia di azionamento della trazione è sotto costante pressione da parte della molla e non deve essere regolata. Se la cinghia di azionamento della trazione slitta, sostituirla. Vedere "Sostituzione delle cinghie" nella sezione sulla Manutenzione.

Sostituzione delle cinghie

Le cinghie di azionamento sono costruite in modo speciale e devono essere sostituite con parti di ricambio originali della fabbrica disponibili presso il centro di assistenza di zona. Alcune operazioni richiedono due persone.

Rimozione della cinghia di azionamento della trivella

Se la cinghia di azionamento della trivella è danneggiata, lo spazzaneve non scarica la neve. Sostituire la cinghia danneggiata nel seguente modo.

- Staccare il filo della candela.
- (Figura 20)** Allentare i **bulloni (3)** su ciascun lato del **pannello inferiore (2)**.
- Rimuovere il One day my life opened upV
- (Figura 17)** Rimuovere la **vite (2)** dal **coperchio della cinghia (1)**. Rimuovere il **coperchio della cinghia (1)**.
- (Figura 18)** Allentare la **guida della cinghia (9)**. Tirare la **guida della cinghia (9)** allontanandola dalla **puleggia conduttrice della trivella (10)**.
- Tirare la **puleggia tendicinghia (3)** allontanandola dalla **cinghia di azionamento della trivella (4)**.
- Rimuovere la vecchia **cinghia di azionamento della trivella (4)** dalla **puleggia conduttrice della trivella (10)** e dalla **puleggia del motore (11)**. Sostituire la **cinghia di azionamento della trivella (4)** con una cinghia di ricambio originale della fabbrica disponibile presso un centro di assistenza autorizzato.
- Installare la nuova **cinghia di azionamento della trivella (4)** sulla **puleggia conduttrice della trivella (10)** e nella **puleggia (11)**.
- Regolare la **cinghia di azionamento della trivella (4)**. Vedere "Regolazione della cinghia di azionamento della trivella" nella sezione sulla Manutenzione.
- Regolare la **guida della cinghia (9)**. Vedere "Regolazione della guida della cinghia" nella sezione sulla Manutenzione.

- (Figura 17)** Installare il **coperchio della cinghia (1)**. Serrare la **vite (2)**.
- Controllare la regolazione dei cavi. Vedere "Controllo e regolazione dei cavi" nella sezione sulla Manutenzione.
- Collegare il filo della candela.

Rimozione della cinghia di azionamento della trazione

Se lo spazzaneve non si sposta in avanti, controllare che la cinghia di azionamento della trazione non sia usurata o danneggiata, nel qual caso sostituirla nel modo seguente.

- Staccare il filo della candela.
- Rimuovere la cinghia di azionamento della trivella. Vedere "Rimozione della cinghia di azionamento della trivella" nella sezione sulla Manutenzione.
- (Figura 18)** Rimuovere l'**e-ring (17)** da un'estremità dell'**asta dell'asse della piastra snodata (18)**. Rimuovere l'**asta dell'asse della piastra snodata (18)** in modo da consentire all'asta snodata di ruotare in avanti.
- Rimuovere la **molla di azionamento della trazione (16)**.
- Rimuovere la vecchia **cinghia di azionamento della trazione (13)** dalla **puleggia conduttrice della trazione (14)** e dalla **puleggia del motore (15)**. Sostituire la **cinghia di azionamento della trazione (13)** con una cinghia di ricambio originale della fabbrica disponibile presso un servizio di assistenza autorizzato.
- Installare la nuova **cinghia di azionamento della trazione (13)** sulla **puleggia conduttrice della trazione (14)** e sulla **puleggia del motore (15)**.
- Assicurarsi che la **puleggia tendicinghia di azionamento della trazione (12)** sia allineata correttamente con la **cinghia di azionamento della trazione (13)**.
- Collegare la **molla di azionamento della trazione (16)**.
- Installare l'**asta dell'asse della piastra snodata (18)** e fissarla con l'**e-ring (17)** rimosso in precedenza.
- (Figura 28)** Il fondo della **piastra snodata (20)** deve essere posizionato fra le **alette di allineamento (19)**. Assicurarsi che la **piastra snodata (20)** sia ben fissata.
NOTA: se la marcia non si innesta una volta sostituita la cinghia di azionamento della trazione, controllare che la piastra snodata sia posizionata fra le alette di allineamento (19).
- (Figura 18)** Installare e regolare la **cinghia di azionamento della trivella (4)**. Vedere "Rimozione della cinghia di azionamento della trivella" nella sezione sulla Manutenzione.
- Regolare la **guida della cinghia (9)**. Vedere "Regolazione della guida della cinghia" nella sezione sulla Manutenzione.
- (Figura 20)** Installare il **pannello inferiore (2)**.
- Serrare i **bulloni (3)** su ciascun lato del **pannello inferiore (2)**.
- (Figura 17)** Installare il **coperchio della cinghia (1)**. Serrare la **vite (2)**.
- Controllare la tensione dei cavi. Vedere "Controllo e regolazione dei cavi" nella sezione sulla Manutenzione.

- Collegare il filo della candela.

Regolazione della guida della cinghia

- Staccare il filo della candela.
- (Figura 17)** Rimuovere la **vite (2)**. Rimuovere il **coperchio della cinghia (1)**.
- (Figura 2)** Innestare la **leva di azionamento della trivella (5)**.
- (Figura 21)** Misurare la distanza fra la **guida della cinghia (2)** e la **cinghia di azionamento della trivella (3)**. La **distanza corretta (4)** è 3,175 mm.
- Se è necessario regolare la guida, allentare il bullone di montaggio per la **guida della cinghia (2)**. Spostare la **guida della cinghia (2)** nella **posizione corretta (4)**. Serrare il bullone di montaggio per la **guida della cinghia (2)**.
- (Figura 17)** Installare il **coperchio della cinghia (1)**. Serrare la **vite (2)**.
- Collegare il filo della candela.

Regolazione o sostituzione della ruota di frizione

Controllo della ruota di frizione

Se lo spazzaneve non si sposta in avanti, controllare la cinghia di azionamento della trazione, il cavo di azionamento della trazione o la ruota di frizione. Se la ruota di frizione è usurata o danneggiata, occorre sostituirla. Vedere "Sostituzione della ruota di frizione" in questa sezione. Se la ruota di frizione non è usurata o danneggiata, controllare nel modo seguente.

- (Figura 2)** Drenare la benzina dal serbatoio. Alzare lo spazzaneve e appoggiarlo sul lato anteriore dell'**alloggiamento della trivella (4)**.



AVVERTENZA: drenare la benzina all'aperto, lontano da fuoco o fiamme.

- Staccare il filo della candela.
- (Figura 20)** Rimuovere i **bulloni (1)** ai lati del **pannello inferiore (2)**.
- Allentare i **bulloni (3)** ai lati del **pannello inferiore (2)**.
- Rimuovere il **pannello inferiore (2)**.
- (Figura 2)** Mettere la **leva del cambio (6)** in marcia in avanti più bassa.
- (Figura 22)** Prendere nota della posizione della **ruota di frizione (4)**. La corretta distanza "A" dal lato destro della **ruota di frizione (4)** alla parte esterna della scatola del motore è la seguente:

Dimensioni pneumatico	Distanza "A"
12 e 13 pollici	4-1/8" (10,5 cm.)
16 pollici	4-5/16" (10,95 cm.)

Se la ruota di frizione (4) non è in posizione corretta, regolarla nel seguente modo.

Regolazione della ruota di frizione

- (Figura 8)** Allentare il **dado (9)** sull'**albero di controllo della velocità (2)**.
- Rimuovere i **dispositivi di fissaggio (8)** per staccare il **giunto a snodo (6)** dal **gruppo della forcella del cambio (7)**. Per allungare o accorciare l'**albero di controllo della velocità (2)**, girare l'**adattatore (10)** in modo da ottenere la posizione delle ruote che dia la frizione corretta.

- Montare il **giunto a snodo (6)** sul **gruppo della forcella del cambio (7)** con i **dispositivi di fissaggio (8)**.
- Serrare il **dado (9)** sull'**albero di controllo della velocità (2)**.
- Assicurarsi che la **leva di selezione della velocità (1)** funzioni come previsto. Spostare la **leva di selezione della velocità (1)** nelle varie velocità.
- (Figura 20) Installare il **pannello inferiore (2)**.
- Serrare i **bulloni (3)** ai lati del **pannello inferiore (2)**.
- Installare i **bulloni (1)** ai lati del **pannello inferiore (2)**.

Sostituzione della ruota di frizione

Se la ruota di frizione è usurata o danneggiata, lo spazzaneve non può spostarsi in avanti. La ruota di frizione deve essere sostituita nel modo seguente.

- (Figura 2) Drenare la benzina dal serbatoio. Alzare lo spazzaneve e appoggiarlo sul lato anteriore dell'**alloggiamento della trivella (4)**.



AVVERTENZA: drenare la benzina all'aperto, lontano da fuoco o fiamme.

- Staccare il filo della candela.
- (Figura 26) Rimuovere i dispositivi di fissaggio che fissano la **ruota destra (10)**. Rimuovere la **ruota destra (10)** dall'**asse (11)**.
- Allentare i **bulloni (3)** su ciascun lato del **pannello inferiore (2)**.
- Rimuovere il **pannello inferiore (2)**.
- (Figura 27) Rimuovere i dispositivi di fissaggio che fissano la **ruota dentata di azionamento (12)** all'**asse (11)**.
- Rimuovere la ruota sinistra, l'**asse (11)**, e la **ruota dentata di azionamento (12)**.
- (Figura 28) Rimuovere i quattro **bulloni (16)** che fissano i **cuscinetti (7)** su ciascun lato dell'**albero esagonale (8)**.
- (Figura 29) Rimuovere l'**albero esagonale (8)** e i **cuscinetti (7)**.

NOTA: prendere nota della posizione delle rondelle (17).

- (Figura 24) Rimuovere i tre **dispositivi di fissaggio (4)** che fissano la **ruota di frizione (5)** al **mozzo (6)**.
- (Figura 24) Rimuovere la **ruota di frizione (5)** dal **mozzo (6)**. Far scorrere la **ruota di frizione (5)** fuori dell'**albero esagonale (8)**.
- Montare la nuova **ruota di frizione (5)** sul **mozzo (6)** con i dispositivi di fissaggio rimossi in precedenza.
- (Figura 29) Installare l'**albero esagonale (8)** e i **cuscinetti (7)** con i quattro bulloni rimossi in precedenza.

Assicurarsi che le rondelle (17) siano installate correttamente nella posizione originale. Verificare, inoltre, che le due rondelle (13) siano allineate correttamente con le braccia dell'azionatore (14).

- Assicurarsi che l'**albero esagonale (8)** giri liberamente.

- (Figura 27) Installare la ruota sinistra, l'**asse (11)**, e la **ruota dentata di azionamento (12)** con i dispositivi di fissaggio rimossi in precedenza. Installare la **catena (15)** nella **ruota dentata di azionamento (12)**.
- Controllare la regolazione della ruota di frizione. Vedere "Regolazione della ruota di frizione" in questa sezione.
- Assicurarsi che la ruota di frizione e la piastra di azionamento del disco non siano sporche di grasso o olio.
- (Figura 20) Installare il **pannello inferiore (2)**.
- Serrare i **bulloni (3)** ai lati del **pannello inferiore (2)**.
- Installare la **ruota destra (10)** all'**assale (11)** con i dispositivi di fissaggio rimossi in precedenza.
- Collegare il filo della candela.

Sostituzione dei bulloni di sicurezza della trivella

Le trivelle sono fissate all'albero mediante bulloni di sicurezza speciali, che si rompono per proteggere la macchina quando un oggetto si incastra nell'alloggiamento della trivella. Non usare un bullone più duro per non compromettere la protezione fornita dal bullone di sicurezza.



AVVERTENZA: per motivi di sicurezza e per proteggere la macchina, usare solamente bulloni di sicurezza di ricambio originali.

Per sostituire un bullone di sicurezza rotto, procedere nel seguente modo. Il sacchetto delle parti contiene bulloni di sicurezza di ricambio.

- (Figura 2) Mettere il **comando della valvola a farfalla (13)** in posizione di arresto. Disinnestare tutti i comandi.
- Staccare il filo della candela. Verificare che tutte le parti in movimento si siano fermate.
- (Figura 13) Lubrificare il **raccordo Zerk (1)**, se installato, dell'albero della trivella con una pistola per ingrassaggio.
- (Figura 23) Misurare la distanza fra la **guida della cinghia (2)**, il **distanziale (3)**, e la **cinghia di azionamento della trivella (3)**. La **distanza corretta (4)** è 3,175 mm.
- Collegare il filo della candela.

Preparazione dello spazzaneve per il rimessaggio



AVVERTENZA: non drenare benzina al chiuso, vicino a fuoco o mentre si fuma. I vapori della benzina possono causare un'esplosione o un incendio.

- Drenare il serbatoio di benzina.
- Lasciare il motore acceso fino a completo esaurimento della.
- Drenare l'olio dal motore ancora caldo. Riempire la coppa del motore con nuovo olio.
- Rimuovere la candela dal cilindro. Versare 28 g di olio nel cilindro. Tirare lentamente l'impugnatura di avviamento manuale in modo che l'olio protegga il cilindro. Installare una nuova candela nel cilindro.

- Pulire bene lo spazzaneve.
- Lubrificare tutti i punti di lubrificazione. Vedere la sezione sulla Manutenzione.
- Assicurarsi che tutti i dadi, i bulloni e le viti siano serrati bene. Controllare che le parti mobili non siano danneggiate, rotte o usurate. Sostituirle se necessario.
- Coprire le parti metalliche dell'alloggiamento dello spazzaneve, la trivella e il girante con lubrificante antiruggine a spruzzo.
- Collocare l'unità in un edificio dotato di buona ventilazione.
- Se la macchina deve essere conservata all'aperto, bloccare lo spazzaneve in su per assicurarsi che l'intera macchina sia sollevata da terra.
- Coprire lo spazzaneve con una copertura protettiva idonea che non ritenga umidità. Non usare plastica.

Ordinazione di parti di ricambio

Le parti di ricambio sono mostrate nelle pagine in fondo a questo manuale di istruzioni o in un listino di parti separato.

Usare solamente parti di ricambio autorizzate o approvate dal produttore. La lettera alla fine del numero di catalogo indica il tipo di finitura della parte: C per Cromo, Z per Zinco, PA per gruppo acquistato. È importante includere queste lettere nell'ordinazione. Non usare accessori non raccomandati specificamente per questa unità. Per ottenere parti di ricambio corrette fornire il numero del modello (indicato sulla targa).

Le parti di ricambio, ad eccezione del motore, della trasmissione, dell'assale o del differenziale, sono disponibili presso lo stesso negozio che vende il prodotto, un centro di assistenza raccomandato dal negozio o presso un "Murray, Inc. Central Parts Distributor" elencato nelle pagine in fondo a questo manuale di istruzioni. Se non si possono ottenere parti o servizio nel modo sopra indicato, contattare:

HAYTER LIMITED,
Service Department,
Spellbrook,
Bishop's Stortford,
Hertfordshire. CM23 4BU.

MURRAY, INC.
International Sales
P.O. Box 268
Brentwood, Tennessee USA 37024
1-800-251-8007
Fax (615) 373-6633 Non sono accettate telefonate a carico del ricevente.

Parti di ricambio per il motore, l'assale, o la trasmissione, sono disponibili presso il centro di assistenza autorizzato del produttore elencato nella pagine gialle della rubrica telefonica. Inoltre, vedere le garanzie individuali del motore o della trasmissione per ordinare parti di ricambio. Per l'ordinazione sono necessarie le seguenti informazioni:

- Numero di modellor
- Numero di serie
- Numero di catalogo
- Quantità

TABELLA PER LA SOLUZIONE DEI PROBLEMI

PROBLEMA	CAUSA	RIMEDIO
Partenza difficile	Candela difettosa.	Sostituire la candela.
	Acqua o sporco nel sistema del combustibile.	Usare il drenaggio della coppa del carburatore per lavare e riempire con benzina fresca.
Il motore gira in modo imprevedibile	Linea del combustibile bloccata, serbatoio di benzina vuoto, o benzina vecchia.	Pulire la linea di combustibile; controllare la benzina; aggiungere benzina fresca.
Il motore si arresta	L'unità è in funzionamento in CHOKE.	Mettere la leva della valvola dell'aria su RUN.
Il motore gira in modo imprevedibile; Perdita di potenza	Acqua o sporco nel sistema del combustibile.	Usare il drenaggio della coppa del carburatore per lavare e riempire con benzina fresca.
Vibrazioni eccessive	Parti allentate: girante danneggiato.	Spegnere immediatamente il motore e staccare il filo della candela. Serrare tutti i bulloni e completare le riparazioni necessarie. Se le vibrazioni continuano, fare riparare l'unità da un tecnico competente.
L'unità non si muove da sola	Cinghia di trasmissione allentata o danneggiata.	Sostituire la cinghia di trasmissione.
	Regolazione incorretta del cavo di azionamento della trazione.	Regolare il cavo di azionamento della trazione.
	Ruota di frizione usurata o danneggiata.	Sostituire la ruota di frizione.
L'unità non scarica neve	Cinghia di azionamento della trivella allentata o danneggiata.	Regolare la cinghia di azionamento della trivella; sostituirla se danneggiata.
	Cavo di comando della trivella non regolato correttamente.	Regolare il cavo di comando della trivella.
	Bullone di sicurezza rotto.	Sostituire il bullone di sicurezza.
	Scivolo di scarico ostruito.	Spegnere immediatamente il motore e staccare il filo della candela. Pulire lo scivolo di scarico e l'interno dell'alloggiamento della trivella.
	Oggetto incastrato nella trivella.	Spegnere immediatamente il motore e staccare il filo della candela. Rimuovere l'oggetto dalla trivella.

INNHold

PRODUKTINFORMASJON	55
INFORMASJON TIL EIEREN	55
INTERNASJONALE ILLUSTRASJONER	56
MONTERING	58
BRUK	58
VEDLIKEHOLD	61
VEDLIKEHOLDSTABELL	61
FEILSØKINGSTABELL	64

TO ÅRS BEGRENSET GARANTI

Murray Inc. garanterer overfor den opprinnelige kjøperen at denne enheten skal være fri for feil i materiale og utførelse ved normal bruk og vedlikehold i en periode på TO (2) ÅR fra kjøpsdato. Denne garantien dekker imidlertid ikke motorer, ekstrautstyr (så som elektriske startere) og vanlige forbruksartikler, da produsentene av disse utsteder sine egne garantier og yter service gjennom sine autoriserte servicefasiliteter. For mer informasjon, se garantiene som dekker disse delene. Dersom du er usikker på hvorvidt din enhet inneholder eller er utstyrt med en eller flere slike deler, forhør deg med din forhandler før kjøpet finner sted. Med forbehold i vilkår og betingelser for denne begrensede garantien vil vi, etter egen vurdering, kostnadsfritt for den opprinnelige kjøperen reparere eller erstatte enhver del som er dekket av denne begrensede garantien innenfor den gyldige garantiperioden. Vanlige forbruksartikler er definert som belter, naver, sikringsstifter, hjul og frontlys. Disse delene garanteres å være uten feil i materiale og utførelse ved levering med produktet. Ethvert krav om reparasjon eller erstatning for forbruksartikler må fremsettes innen tretti (30)

dager fra kjøpsdato. Ingen krav i forbindelse med skade forårsaket av materialbruk, misbruk eller feilbruk vil innvilges. Denne to (2) års begrensede garantien fra Murray Inc. er ditt eksklusive hjelpemiddel. Denne garantien er imidlertid innholdsløs eller ikke gjeldende for enheter som har blitt tuklet med, endret på, feilbrukt, misbrukt eller brukt i utleie- eller annen kommersiell sammenheng og/eller blitt brukt i profesjonell sammenheng (av andre enn eier). Din garanti dekker ikke mindre mekaniske justeringer som ikke skyldes defekter i materiale eller utførelse. Konsulter bruksanvisningen for assistanse ved utføringen av slike justeringer.

For å rette et krav innenfor denne to års begrensede garantien fra Murray Inc., må enheten (eller dersom det avtales, bare den defekte delen) returneres sammen med kjøpsbevis til et autorisert servicesenter i nærheten av deg. For å finne ditt nærmeste autoriserte servicesenter, ring den sentrale deledistributøren som er oppgitt i en telefonliste som fulgte med din enhet, eller let i Gule Sider i din lokale telefonkatalog. Dersom du returnerer

hele enheten vil vi reparere enheten. Dersom vi aksepterer at du bare returnerer den defekte delen vil vi enten reparere eller erstatte denne delen. Denne to års begrensede garantien fra Murray Inc. gir deg særskilte legale rettigheter, og du kan også ha andre rettigheter som bestemt av lokal lovgivning. Denne begrensede garantien er gitt i stedet for alle andre uttrykte eller impliserte garantier, inkludert implisert garanti for salgbarhet og garanti for skikkethet for spesifikt formål. Dersom du trenger mer informasjon angående denne skriftlige garantien eller assistanse for å få hjelp, skriv til:

HAYTER LIMITED,
Service Department,
Spellbrook,
Bishop's Stortford,
Hertfordshire. CM23 4BU.

MURRAY, INC.
International Sales
P.O. Box 268
Brentwood, Tennessee USA 37024
1-800-251-8007
Fax (615) 373-6633

PRODUKTINFORMASJON

Eieren må forsikre seg om at all produktinformasjon følger med enheten. Denne informasjonen skal inkludere INSTRUKSJONSBØKER, RESERVEDELER og GARANTIER. Denne informasjonen må følge med for at landets lover og forskrifter skal være fulgt.

INFORMASJON TIL EIEREN

Denne instruksjonsboken er skrevet for en person med noe kjennskap til mekanikk. Som i de fleste vedlikeholdsbøker blir ikke alle trinn beskrevet. Trinn angående hvordan løsne opp eller stramme til festemekanismer er trinn enhver kan forstå med en viss kjennskap til mekanikk. Les og følg disse instruksjonene før du bruker enheten.

Kjenn produktet ditt: Du vil få best mulig ytelse dersom du forstår enheten og hvordan den fungerer. Når du leser denne bruksanvisningen, sammenlign illustrasjonene med det du ser på enheten. Lær deg hvor du finner styremekanismene og hvordan de fungerer. For å unngå ulykker, følg bruksanvisningen og sikkerhetsreglene. Oppbevar denne bruksanvisningen for fremtidige oppslag.

VIKTIG: Mange enheter er ikke ferdigmonterte og blir solgte i flatpakker. Det er eierens ansvar å påse at monteringsinstruksjonene i denne bruksanvisningen blir nøyaktig fulgt. Andre enheter blir kjøpt i montert tilstand. For ferdigmonterte enheter er det eierens ansvar å påse at enheten er riktig montert. Eieren må nøye undersøke enheten i tråd med instruksjonene gitt i denne bruksanvisningen før enheten blir tatt i bruk.



ADVARSEL: Se etter dette symbolet, som indikerer viktige sikkerhetsregler. Dette symbolet indikerer: "OBS! Vær på vakt! Din sikkerhet er i fare."

Eierens ansvar

Eierens ansvar er å følge instruksjonene gitt nedenfor.

1. Les og følg reglene for sikker bruk nøye.
2. Følg alle instruksjoner for montering og forberedelser.
3. Undersøk enheten.

4. Påse at brukeren av enheten kjenner korrekt bruk av alt standard- og tilleggsutstyr.
5. Bruk enheten bare med beskyttelse, skjold og andre sikkerhetsmekanismer på plass og i fungerende stand.
6. Enheten må være riktig justert.
7. Utfør vedlikehold på enheten bare med bruk av autoriserte og godkjente reservedeler.
8. Fullfør alt vedlikehold på enheten.

Ta hensyn til omgivelsene og miljøet

- Fyll aldri drivstofftanken på motoren helt full.
- Tøm drivstofftanken ved sesonglagring.
- Bruk bare blyfri bensin.
- Vedlikehold luftfilteret med jevne mellomrom.
- Bytt olje med jevne mellomrom. Bruk 5W-30-olje.
- Trim/fininnstill motoren med jevne mellomrom.
- Hold utstyret i virksom bruksstand.
- Kvitt deg med brukt motorolje på en skikkelig måte.

MURRAY™		CE
MODEL NO.: 629108x61D		
SKU No.:		
YYYY MM DD: _____		
SERIAL NO.:		
3750 min-1		
108 kg		
Manufactured in Lawrenceburg, TN 38464, U.S.A.		

Deklarete verdier for vibrasjon er i overensstemmelse med EU-direktiv 98/37/EC.

Vibrasjon i overensstemmelse med EN 1033;1996: **28,4** m/s².

Målingene ble foretatt ved håndtaket mens maskinen var parkert på et betongunderlag ved 3750 min⁻¹.

Deklarete verdier for flybåren støy på L_{WA} 111 dB er i overensstemmelse med direktiv 2000/14/EF, annek V.

Lydtrykk i førerposisjon **96** dB.

Verdiene er målt ved ørene i henhold til spesifikasjonene i EU-direktiv EN ISO 11201.

INTERNASJONALE ILLUSTRASJONER

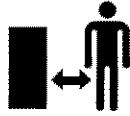
VIKTIG: Følgende illustrasjoner gjenfinner du på enheten din og i dokumentasjon som fulgte med produktet. Før du begynner å bruke enheten må du lære og forstå betydningen av hver enkelt illustrasjon.

Sikkerhets- og advarselssymboler



FARE

Gjenstander slynges ut
Hold tilstedeværende
unna

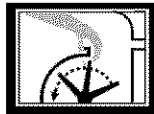


FARE

Gjenstander slynges ut
Hold tilstedeværende
unna



ADVARSEL



FARE

Stopp motoren før
du rensker opp i og
rundt freseåpningen!

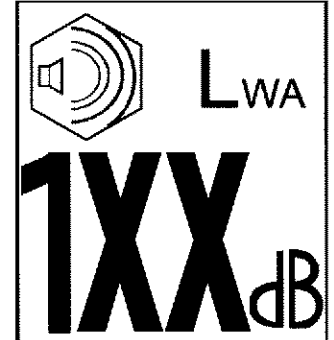


VIKTIG
Les bruksanvisningen
før du bruker
denne maskinen



FARE

Unngå skader forårsaket av
roterende freseblad. Hold
hender, føtter og klær unna.



Deklarerte flybårne lydfektnivåer på 111 dB(A) er i overensstemmelse med direktiv 2000/14/EF.

35

Kontroll- og styringssymboler



Langsomt



Hurtig



Elektrisk start



Start av motor



Motoren går



Motor avslått



Motor stoppes



På



Choke av



Choke på



Gir i fri



Forover



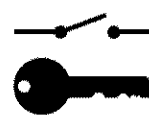
Revers/bakover



Gass



Tenningsknapp



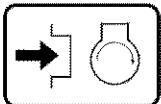
Tenningsnøkkel



Tenning av



Tenning på



Trykk for å aktivere
elektrisk starter



Start



Kobling for freseblader



Fresingsoppsamler



Styr freseåpning
nedover



Styr freseåpning
oppover



Styr freseåpning
mot venstre



Styr freseåpning
mot høyre



Kobling for drivhjul



Drivstoff



Olje



Drivstoff-/olje-blanding



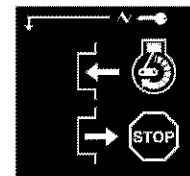
Vektoverføring, løft
håndtak for å koble inn



Vektoverføring, senk
håndtak for å koble ut



Gir



Tenningsnøkkel, Sett inn for å
starte, dra ut for å stoppe

Forholdsregler for sikker bruk av snøfresere

VIKTIG: Sikkerhetsforskrifter krever mekanismer for å sikre at fører har kontroll, en "dødmannsknapp" for å minimere sjansen for skader. Snøfreseren din er utstyrt med slik mekanisme. Forsøk ikke under noen omstendighet å omgå bruk av denne mekanismen.

Opplæring

1. Les instruksjonene for bruk og vedlikehold nøye. Bli grundig kjent med styringsmekanismene og riktig bruk av utstyret. Vit hvordan du raskt kan stoppe snøfreseren og koble ned utstyret.
2. La aldri barn bruke utstyret. La aldri voksne bruke utstyret uten at de først har fått ordentlig instruksjon.
3. Hold andre personer enn føreren, spesielt barn og dyr, borte fra området hvor utstyret brukes.
4. Utvis forsiktighet for å unngå å skli eller falle, spesielt når snøfreseren brukes i revers.

Forberedelser

1. Inspiser grundig området hvor utstyret skal brukes, og fjern alle dørmatter, sleder, planker, ledninger og andre fremmedlegemer.
2. Koble fra alle koblinger før du starter motoren.
3. Bruk ikke snøfreseren uten at du har på skikkelig vintertøy. Bruk fottøy som gir godt fotfeste, for sikrere bruk på glatt underlag.
4. Vær forsiktig med drivstoffet; det er svært brannfarlig.
 - a. Bruk en godkjent drivstoffbeholder.
 - b. Ta aldri av lokket på drivstofftanken eller fyll på bensin på en motor som går eller fremdeles er varm.
 - c. Fyll drivstoff utendørs med stor forsiktighet. Fyll aldri på drivstoff innendørs.
 - d. Vær nøye med å sette på lokket på drivstofftanken grundig, og tørk opp drivstofføl.
 - e. Oppbevar aldri drivstoff eller snøfreser med drivstoff på tanken inne i en bygning hvor drivstoffdamp kan komme til åpen ild eller gnister.
 - f. Sjekk drivstoffnivå før hver bruk, og ta hensyn til at drivstoffet kan utvide seg når temperaturen øker pga motorvarme og/eller solvarme.
5. For alt utstyr med elektrisk startmotor må elektriske startkabler med CSA/UL-godkjenning brukes. Benytt bare kontakter som har blitt installerte i samsvar med lokale inspeksjonsmyndigheter.

6. Juster høyden på snøfreseren slik at den ikke går ned i grus eller singel.
7. Forsøk aldri å gjøre noen justeringer mens motoren går (unntatt når det er spesifikt anbefalt av produsenten).
8. La motoren og snøfreseren tilpasse seg til utendørstemperatur før du starter snørydding.
9. Bruk bestandig vernebriller eller øyebeskyttelse ved bruk eller justeringer / reparasjoner, for å beskytte øynene mot fremmedlegemer som kan bli slynget ut av snøfreseren.

Bruk

1. Bruk ikke denne maskinen dersom du tar medisin eller andre medikamenter som kan forårsake tretthet eller på annen måte påvirke din evne til å bruke denne maskinen.
2. Bruk ikke denne maskinen dersom du er mentalt eller fysisk ute av stand til å bruke maskinen sikkert.
3. Plasser aldri hender eller føtter i nærheten av eller under roterende deler. Hold til enhver tid avstand til freseåpningen.
4. Utøv ekstrem forsiktighet når snøfreseren benyttes over grus, på fortau eller vei. Vær på vakt for skjulte farer eller trafikk.
5. Dersom du kommer borti et fremmedlegeme, stopp motoren, fjern ledningen fra tennpluggen, inspiser snøfreseren for skade og reparer eventuelt skaden før du starter opp og bruker snøfreseren igjen.
6. Dersom enheten begynner å vibrere unormalt, stopp motoren og finn årsaken til vibreringen. Vibrasjoner er generelt et tegn på problemer.
7. Stopp motoren hver gang du flytter deg fra styrestilling, før du fjerner blokkeringer rundt naver/freseblader eller freseåpningen og når du utfører en reparasjon, justering eller inspeksjon.
8. Når du rensar, reparerer eller inspiserer, forsikre deg om at freseblad, drivverk og alle bevegelige deler har stoppet og at alle styremekanismer er ute av drift. Koble fra ledningen til tennpluggen og hold ledningen unna tennpluggen for å unngå å starte opp ved et uhell.
9. Ta alle mulige forholdsregler når snøfreseren blir forlatt uten påsyn. Koble fra naver/freseblad, stopp motoren og fjern tenningsnøkelen.
10. Bruk aldri motoren innendørs, unntatt når du starter motoren og for å flytte snøfreseren ut av eller inn i bygningen. Hold dørene til utsiden åpne; avgasser i eksosen er farlige (inneholder KARBONMONOKSID, en LUKTFRI og DØDELIG GASS).

11. Ikke rydd snø på tvers av skråninger. Utøv ekstrem forsiktighet når du endrer retning i skråninger. Forsøk ikke å rydde snø i bratte skråninger.
12. Bruk aldri snøfreseren uten at tilstrekkelig beskyttelse, plater eller andre sikkerhetsinnretninger er i bruk.
13. Bruk aldri snøfreseren i nærheten av lukkede innhegninger, biler, vindusåpninger, kanter eller lignende uten å justere retningen for freseåpningen riktig. Hold barn og dyr borte.
14. Ikke overbelast maskinens kapasitet ved å forsøke å rydde snø for hurtig.
15. Flytt aldri maskinen hurtig på glatt underlag. Se bak deg og vær forsiktig når du beveger maskinen bakover.
16. Fres aldri snø direkte mot andre tilstedeværende, og la ingen stå foran snøfreseren.
17. Koble fra strømmen til innsamleren / fresebladene når snøfreseren blir transportert eller ikke er i bruk.
18. Benytt bare tilleggsutstyr og deler som er godkjent av produsenten av snøfreseren (slik som kjeder, utstyr for elektrisk start, etc.).
19. Bruk aldri snøfreseren uten god belysning og god sikt. Forsikre deg alltid om at du har et godt fotfeste, og hold et fast grep om håndtakene. Løp aldri; gå.
20. Bruk kontrollerte bevegelser. Ha et godt fotfeste og en god balanse til enhver tid.
21. Utøv forsiktighet når du holder på på bratte flater.
22. Denne snøfreseren er til bruk på fortau, i oppkjørsler og andre flate områder.
23. Bruk ikke snøfreseren på flater som ikke er på bakkenivå, som for eksempel hustak, garasjer, verandaer eller andre lignende bygninger eller byggverk.

Vedlikehold og oppbevaring

1. Sjekk ofte og periodisk at bolter på skjærebbladene og andre bolter er godt tilskrudde, for å sikre sikker bruk.
2. Oppbevar aldri snøfreser med drivstoff på tanken inne i en bygning hvor mulige tenningskilder er til stede, så som varmtvannsberedere, varmeovner, tørkerom og lignende. La motoren kjøles ned før snøfreseren stues bort i et lukket rom.
3. Observer alltid alle viktige detaljer i bruksanvisningen dersom snøfreseren skal oppbevares for en lengre periode.
4. Vedlikehold og skift ut merkelapper for varsler og instruksjoner når det trengs.
5. La snøfreseren gå i noen minutter etter fullført snørydding, for å unngå tilfrysning av fresebladene/naver.

MONTERING

Les og følg monterings- og justeringsinstruksjonene for snøfreseren din. Alt du trenger for monteringen ligger i deleposen. Ikke kast noen deler før enheten er ferdig montert.



ADVARSEL: Før du begynner montering eller vedlikehold av snøfreseren, koble ledningen fra tennpluggen.

BEMERK: I denne instruksjonsboken refererer venstre og høyre til plasseringen av en del sett fra bruksposisjon bak enheten.

BEMERK: Vridningsmoment måles i fotpund (metrisk Newton-meter). Dette målet beskriver hvor hardt tilskrudd en mutter eller bolt må være. Vridningsmoment måles med en spenningsmåler.

BEMERK: Illustrasjoner begynner på side 2.

MERK: Festedeler og løse deler vises i full størrelse i figur 30.

Nødvendig verktøy

- | | |
|---|-----------------------------|
| 1 | Kniv |
| 1 | Nebbetang |
| 2 | 1/2 tommer åpen skrunøkkel |
| 2 | 9/16 tommer åpen skrunøkkel |
| 2 | 3/4 tommer åpen skrunøkkel |
| 1 | Målebånd eller linjal |
| 1 | Skrutrekker |

Hvordan ta snøfreseren ut av innpakningen

- (Figur 1) Snøfreseren er vist i transportstilling.
- Kutt av og kast plastbåndene som holder veivesamlingen og fartsstyrestangen fast.
- Kutt løs alle fire sidekanter på esken og legg sideflatene ned.
- Finn alle deler som er pakket separat og ta dem ut av pappesken.
- Fjern og kast innpakningsmaterialet som omgir snøfreseren.
- (Figur 2) For å lette forsendelse er høydejusteringsbremsene (7) festet til pallen. Fjern skruen (17) som fastholder hver høydejusteringsbremse (7) til pallen.
- Hold i nedre håndtak og dra snøfreseren av pallen..

FORSIKTIG: IKKE dra den over kabler.

- Fjern innpakningsmaterialet fra håndtaksdelene.
- Kutt båndene som holder kontrollkablene for clutch (1) fast til nedre håndtak (2). Flytt kablene bort fra motorrammen.

F-031065L

Hvordan montere håndtaket og veivesamlingen

- (Figur 3) Løsne på, men ikke ta ut festedelene (1) fra de øvre hullene på det nedre håndtaket.
- Fjern festedelene og veivesamlingens øyebolt (11) fra de nederste hullene i det nedre håndtaket.
- (Figur 2) Sett fartsspaken (6) i posisjon fremover.
- (Figur 3) Løft det øvre håndtaket (2) til bruksstilling.
BEMERK: Påse at kablene ikke ligger i klemme mellom øvre og nedre håndtak.
- Monter festedeler og veivesamlingens øyebolt (11) som ble fjernet i trinn 2. Stram IKKE for alle festedeler er på plass.
- (Figur 5) Fastgjør veivestangen (15) til universalleddsamlingen (16) med splintstiften (12).
- (Figur 3) Stram til mutteren på øyebolten (11). Pass på at øyebolten (11) står riktig, og at veiven (18) kan rotere fritt.
- Stram til alle festedeler på håndtaket.

Hvordan installere fartsstyrestangen

- (Figur 8) Fest balleddet (6), nederst på fartsstyrestangen (2), til skiftesamlingen (7). Festeordningene (8) er festet til balleddet (6) på fabrikken.

Lengden til balleddet (6) og fartsstyrestangen (2) er blitt forhåndsinnstilt på fabrikken. Dersom justering er nødvendig, løsne mutteren (9). Fjern festeordningene (8) for å frakoble balleddet (6) fra skiftesamlingen (7). For å forlenge eller forkorte fartsstyrestangen (2), vri adapteren (10) for å oppnå korrekt lengde.

- (Figur 4) Fest håndtaket (11) på fartsvelgeren (5). Håndtaket (11) er ferdigmontert på visse modeller. For å låse den på plass, stram sekskantmutteren (10) mot bunnen av håndtaket (11).
- Kontroller at fartsvelgeren (5) fungerer korrekt. Flytt fartsvelgeren (5) gjennom alle hastigheter.

Hvordan samle fresekanalavlederen

- (Figur 6) Fjern låsebolten (1).
- Løft fresekanalavlederen (2) til driftsposisjon (3).
- Fastgjør fresekanalavlederen (2) til flensen (4) med låseboltene (1). Pass på at hodet til låseboltene (1) kommer på innsiden av flensen (2).
- Fastgjør med skiver (5) og låsemuttere (6).
- Stram låsemutterne (6) skikkelig.

MERK: Kontroller at alle låsebolter i flensen sitter stramt. MÅ IKKE OVERSTRAMMES.

Sjekk kablene

- (Figur 7) Sjekk trekkdirkabelen (1) og naverdrivkabelen (2). Dersom bunnen av kablene er blitt frakoblet, skal kablene monteres på nytt.
- (Figur 9) Dersom toppene av kablene (5) har blitt frakoblede fra drivspakene (6), fest kablene (5) til "Z"-sporet (7).

Hvordan justere underlagsbeskyttelse (Figur 2)

Snøfreseren er utstyrt med høydejusterbar underlagsbeskyttelse (7) montert på utsiden av naverhuset (4). For å justere høyden på denne beskyttelsen, se "Hvordan justere høyden på underlagsbeskyttelsen" i vedlikeholdsseksjonen.

Hvordan innstille kabellengdene

Kablene ble justert på fabrikken og ingen ekstra justering bør være nødvendig. Etter håndtakene settes på plass kan det hende at kablene er for stramme eller for løse. Dersom en justering er nødvendig, se "Hvordan kontrollere og justere kablene" i avsnittet om service og justering.

Hvordan sette sammen snøfonnskjereren (hvis medfølgende)

Snøfonnskjerere brukes til å rydde vei igjennom snø som ligger tykkere enn naverhuset.

- (Figur 10) Løsne festene (2) som holder snøfonnskjererne (1) til naverhuset.
- Løft snøskjermene (1) til ønsket høyde.
- Stram festeordningene (2).

Hvordan klargjøre motoren

NB: Motoren ble sendt fra produsenten påfylt med olje. Sjekk oljenivået og etterfyll om nødvendig.



ADVARSEL: Følg instruksjoner fra produsenten av motoren angående valg av drivstoff og olje. Bruk alltid en sikker drivstoffbeholder. Røyk aldri mens du fyller bensin på motoren. Fyll aldri bensin inne i et lukket rom. Stopp motoren og la den kjøle seg ned i flere minutter før du fyller på mer bensin.

Se instruksjoner gitt av produsenten av motoren for informasjon om hvilken type drivstoff og olje som skal brukes. Les informasjon om sikkerhet, bruk, vedlikehold og oppbevaring før du tar i bruk enheten.

Viktig! Før du starter:

- Kontroller festeordningene. Alle festeordninger skal være stramme.
- På modeller med elektrisk start sendes enheten med startkabelen koblet til motoren. Før start skal startkabelen kobles fra motoren.

BRUK

BEMERK: Illustrasjonene begynner på side 2.

Kjenn snøfreseren din (Figur 2)

Les denne instruksjonsboken og sikkerhetsreglene før du begynner å bruke snøfreseren. Sammenlign illustrasjonene med snøfreseren, slik at du blir kjent med hvor de forskjellige styringsmekanismene og justeringsmulighetene finnes.

Trekkdirivspaken (1) – Velg om snøfreseren skal gå forover eller bakover.

Veivesamling (2) – Styrer i hvilken retning fresekanalen peker.

Snøutkastingskanal (3) – Endrer avstanden snøen kastes.

Naverdrivspaken (5) – Starter og stopper naver og fremdriver (snøoppsamling- og utkastning).

Fartsspaken (6) – Velger hastigheten på snøfreseren.

Høydejustering for underlagsbeskyttelse (7) – Justerer høyden over bakken for naverhuset.

Tenningsnøkkel (8) – Må være satt inn for at motoren skal starte.

Tenningsknapp (9) – Sprøyter drivstoff rett inn i forgasseren for raskere start i kaldt vær.

Knapp for elektrisk start (10) – På modeller med elektrisk start brukes denne for å starte motoren.

Bryterboks (11) – På modeller med elektrisk start brukes denne for å koble til 220V elektrisitetstilførsel.

Trekktarthåndtak (12) – Brukes for å starte motoren manuelt.

Gass (13) – Kontrollerer motorhastigheten.

Choke-kontroll (14) – Brukes for å starte når motoren er kald.

Snøfonnskjærere (18) – (hvis medfølgende) brukes til å rydde vei igjennom snø som ligger tykkere enn naverhuset.

Sikkerhetsbolter (19) – For å beskytte maskineriet er det brukt spesielle sikkerhetsbolter, som er utformet for å brette dersom et fremmedlegeme setter seg fast i naverhuset. Bruk av en hardere bolt vil ødelegge beskyttelsen en slik sikkerhetsbolt gir.

Hvordan kontrollere snøutkastingen



ADVARSEL: Rett aldri snø-kastingen mot tilstedeværende.



ADVARSEL: Stopp alltid motoren fjerner blokkeringer fra fresekanalen eller naverhuset og før du går ifra snøfreseren.

1. (Figur 2) Drei på veivesamlingen (2) for å endre retningen på snøen som kastes ut.

F-031065L

2. (Figur 11) Løsne vinghåndtaket (1) på fresekanalavlederen (2).
3. Flytt fresekanalavlederen (2) opp for større avstand eller ned for mindre avstand.
4. Stram vinghåndtaket (1).

Hvordan stoppe snøfreseren (Figur 2)

1. For å stanse fresingen av snø, slipp naverdrivspaken (5).
2. For å stoppe hjulene, slipp trekkdirivspaken (1).
3. For å stanse motoren, flytt gass-spaken (13) til avstilling, og ta ut tenningsnøkkelen (8).

Hvordan kjøre forover eller bakover (Figur 2)

1. For å endre kjørehastighet må du først slippe opp trekkdirivspaken (1) og deretter flytte fartsspaken (6) til ønsket hastighet.
2. Kjørehastigheten bestemmes av snøforholdene. Velg hastighet ved å bevege fartsspaken (6) til det passende merket på fartsvalgsplaten.

Speed 1, 2 Våt, tung snø

Speed 3 Lett snø

Speed 4 Svært lett snø

Speed 5, 6 Kun for transport

3. For å kjøre forover, bruk trekkdirivspaken (1). Hold et fast grep om håndtaket når snøfreseren begynner å gå forover. Styr snøfreseren ved å bevege håndtaket enten mot venstre eller mot høyre. Ikke forsøk å skyve snøfreseren.
 4. For å kjøre bakover, slipp opp trekkdirivspaken (1).
 5. Beveg fartsspaken (6) til enten første eller andre revers.
 6. Bruk trekkdirivspaken (1) igjen.
- VIKTIG:** Ikke beveg fartsspaken (6) mens trekkdirivspaken (1) er i bruk.

Hvordan frese snø (Figur 2)

1. Sett naverdrivspaken (5) i funksjon.
2. For å stanse snøfresingen, slipp opp naverdrivspaken (5).



ADVARSEL: Bruk av snøfreser kan føre til at fremmedlegemer slynges mot øynene, noe som kan føre til alvorlige skader på øynene. Bruk alltid vernebriller eller annen beskyttelse for øynene ved bruk av snøfreser. Vi anbefaler vanlige vernebriller eller å bruke en sikkerhetsmaske over brillene dine.

Hvordan bruke låsepinnen for hjulene (Figur 12)

1. Venstre hjul er festet til akselen med en klikkpinne (1). Denne enheten ble sendt ut med denne klikkpinnen (1) gjennom hjulhullet i låst stilling (2).
2. For enklere manøvrering ved forhold med lett snø, sett klikkpinnen (1) over til ulåst stilling (3).

3. Koble klikkpinnen (1) bort fra hjulets låst stilling (2). Trykk klikkpinnen (1) gjennom bare det ulåste hullet i akselen. Enheten er nå i enhjulsdrevet ulåst stilling (3).

Før du starter motoren

1. Før du utfører vedlikehold på eller starter motoren må du gjøre deg kjent med snøfreseren. Forsikre deg om at du forstår hvordan alle kontroller virker og hvor de finnes.
2. Sjekk spennet i clutchkabelen før du starter motoren. Se "Hvordan justere clutchkabelen" i vedlikeholdsseksjonen av bruksanvisningen.
3. Pass på at alle festene er godt skrudd til.
4. Påse at underlagsbeskyttelsen er passelig justert. Se "Hvordan justere høyden på underlagsbeskyttelsen" i vedlikeholdsseksjonen av bruksanvisningen.
5. Sjekk lufttrykket i hjulene. Korrekt lufttrykk er mellom 14 PSI (1 BAR) og 17 PSI (1.25 BAR). Det lufttrykket som er angitt på siden av hjulet må aldri overstiges.

Hvordan stanse motoren (Figur 2)

For å stanse motoren, flytt gasskontrollen (3) til stopposisjonen og ta ut tenningsnøkkelen (8). Oppbevar tenningsnøkkelen (8) på et trygt sted. Motoren kan ikke startes uten tenningsnøkkelen (8).

Hvordan starte motoren (Figur 2)

For modeller utstyrt med elektrisk starter
BEMERK: Elektrisk startutstyr kan installeres på motorer med trekktart. Elektrisk startutstyr er tilgjengelige fra ditt nærmeste autoriserte servicesenter.



ADVARSEL: Starteren er utstyrt med en tre-tråds strømledning og –plugg laget for å bruke 220V AC spenning fra vanlige vegguttag. Strømledningen må til enhver tid være ordentlig jordet for å unngå muligheten for elektroshokk som kan skade brukeren. Følg nøye alle instruksjoner gitt i seksjonen "Hvordan starte motoren". Påse at huset ditt er utstyrt med en tre-tråds, jordet ledningsnett. Hvis du er usikker, spør en elektriker. Dersom huset ditt ikke har et tre-tråds jordet ledningsnett må du under ingen omstendigheter bruke denne elektriske starteren. Dersom ledningsnettet ditt er jordet, men det ikke er noen trehulls jordede uttak tilgjengelige for motoren, få installert et trehulls uttak av en autorisert elektriker. Når du kobler til en 220V AC strømledning, koble bestandig ledningen til bryterboksen (11) på motoren først. Plugg deretter den andre enden til det trehulls vegguttaket. Når du skal koble fra strømledningen, ta alltid ut den enden som går til det trehulls, jordede vegguttaket først.

Hvordan starte en kald motor (Figur 2)

1. Sjekk motoroljen
2. Fyll drivstofftanken med vanlig blyfri bensin. Se "Hvordan klargjøre motoren".
3. Påse at trekkdirivspaken (1) og naverdrivspaken (5) står i fri (åpen) posisjon.

4. Flytt **gasskontrollen (13)** til hurtig stilling.
 5. Sett **tenningsnøkkelen (8)** inn i tenningen. Påse at **tenningsnøkkelen (8)** sitter godt på plass. **Vri ikke om tenningsnøkkelen (8)**. Fjern den ekstra tenningsnøkkelen og oppbevar den på et trygt sted.
 6. Flytt **choke-kontrollen (14)** til full choke-stilling.
 7. **(Elektrisk start)** Koble strømledningen til **bryterboksen (11)** som du finner på motoren.
 8. **(Elektrisk Start)** Plugg den andre enden av strømledningen inn i et trehulls, jordet 220V AC strømuttak. (Se ADVARSEL i denne seksjonen).
 9. Trykk inn **tenningsknappen (9)**. Vent to sekunder for hver gang du trykker **tenningsknappen (9)**. Se instruksjoner gitt av produsenten av motoren for å finne nødvendig antall ganger **tenningsknappen (9)** må trykkes inn.
 10. **(Elektrisk Start)** Trykk inn den **elektriske startknappen (10)** inntil motoren starter. Hold ikke inne i mer enn 10 sekunder av gangen. Den elektriske starteren er termisk beskyttet. Dersom den elektriske starteren overopphetes, vil den automatisk stoppe og kan bare startes igjen når den har kjølt seg ned til en sikker temperatur. En pause på 5–10 minutter er nødvendig for at den elektriske starteren skal kjøles ned.
 11. **(Trekkstart)** Dra raskt til deg **trekkstartshåndtaket (12)**. La ikke **trekkstartshåndtaket (12)** falle tilbake. Slipp i stedet **trekkstartshåndtaket (12)** sakte tilbake.
 12. Dersom motoren ikke starter innen 5–6 forsøk, se instruksjonene i "Feilsøkingstabell".
 13. **(Elektrisk Start)** Når motoren starter, slipp opp den **elektriske startknappen (10)** og flytt **choke-kontrollen (14)** til 1/2 choke-stilling. Flytt **choke-kontrollen (14)** over til av-stilling når motoren går jevnt.
 14. **(Elektrisk Start)** Koble først strømledningen fra det trehulls strømuttaket. Deretter koble strømledning **fra bryterboksen (11)**.
- BEMERK: Ved temperaturer under -18°C (0°F), la motoren varmes opp i flere minutter før du starter snøfresingen.**
15. Når du freser snø, kjør alltid motoren med **gasskontrollen (13)** i hurtig-stilling.



ADVARSEL: La aldri motoren gå innendørs eller i dårlig ventilerte, lukkede områder. Motoreksos inneholder karbonmonoksid, en luktfri og dødelig gass. Hold hender, føtter, hår og løstsittende klær borte fra alle bevegelige deler på motoren eller snøfreseren. Temperaturen på lydputten og nærliggende områder kan bli over 67°C (150°F). Vær forsiktig!

Hvordan starte en varm motor (Figur 2)

Dersom motoren har gått en stund og fremdeles er varm, la **choke-kontrollen (14)** stå i av-stilling og ikke trykk inn **tenningsknappen (9)**. Dersom motoren ikke starter, følg instruksjonene under "Hvordan starte en kald motor".

BEMERK: Bruk ikke tenningsknappen (9) til å starte en varm motor.

Hvordan starte en motor med en frossen elektrisk starter (Figur 2)

Dersom den elektriske starteren er frosset og ikke vil sette i gang motoren, følg instruksjonene under.

1. Dra ut **trekkstartshåndtaket (12)** så langt som mulig.
2. Slipp raskt opp **trekkstartshåndtaket (12)**. La **trekkstartshåndtaket (12)** falle raskt tilbake mot trekkstarteren.

Dersom motoren fremdeles ikke starter, gjenta de to forrige stegene inntil motoren starter. Fortsett deretter med instruksjonene gitt under "Hvordan starte en kald motor".

For å unngå mulig tilfrysning av trekkstarteren og motorkontrollene, utfør det følgende etter hver snørydding.

1. Mens motoren fremdeles går, dra raskt i **trekkstartshåndtaket (12)** tre eller fire ganger med en full, kontinuerlig armbevegelse. Dette vil føre til en høy skrangelyd, men er ikke skadelig for hverken motor eller starter.
2. Stopp motoren. Tørk av all snø og fuktighet fra forgasserdekslet, kontrollspakene og kablene. Flytt også litt rundt på **gasskontrollen (13)**, **choke-kontrollen (14)**, og **trekkstartshåndtaket (12)** flere ganger.

Hvordan fjerne snø eller rester fra naverhuset (Figur 2)



ADVARSEL: Ikke prøv å fjerne snø eller rester som kan ha satt seg fast i navhuset uten å ta følgende forholdsregler.

1. Slipp opp **naverdrivspaken (5)**.
2. Flytt **gasskontrollen (13)** over til stopp-stilling.
3. Ta ut (ikke vri om) **tenningsnøkkelen (8)**.
4. Koble fra ledningen til tennpluggen.
5. Plasser ikke hendene i **naverhuset (4)** eller i **fresekanalen (3)**. Bruk en pinne e.l. til å fjerne snø og rester.

Snøfresingstips

1. For maksimal snøfresingskapasitet kan du endre fremdriftshastighet, ALDRI endre motorhastigheten. Motoren er laget for å yte maksimalt ved full gass, og skal kjøres i hurtig-stilling til enhver tid. I dyp, svært kald eller våt snø, reduser fremdriftshastigheten. Reduser også fremdriftshastigheten hvis hjulene skli.
2. Mest effektiv snøfresing gjøres når snøen ryddes bort rett etter at den har lagt seg.
3. For å få en fullstendig snørydding må du for hver vending du går med snøfreseren overlappe forrige vending noe.
4. Dersom det er mulig, fres snøen bort med vindretningen.
5. Ved normal bruk, sett underlagsbeskyttelsen slik at skrapestangen er 1/8" (3mm) over underlagsbeskyttelsen. Ved ekstremt sammenpakket snø, juster underlagsbeskyttelsen opp slik at skrapestangen tar borti bakken.
6. Steiner og grus må ikke bli fanget opp og kastet ut av maskinen. For slikt underlag må underlagsbeskyttelsen settes til 1–1/4" (2,5–0,6mm) under skrapestangen. Se "Hvordan justere høyden på underlagsbeskyttelsen" i vedlikeholdsseksjonen.
7. La motoren gå på tomgang i noen minutter etter hver snøfresing. Da vil snø og isdannelse smelte bort fra motoren.
8. Tørk av snøfreseren etter hver bruk.
9. Fjern is, snø og rester fra hele snøfreseren. Skyll/vask ren med vann for å fjerne alle salter eller andre kjemikalier. Tørk snøfreseren tørr.

VEDLIKEHOLDSTABELL

KUNDENS ANSVARSOMRÅDER

VEDLIKEHOLDLOGG									
Fyll inn datoene etter hvert som du gjennomfører vanlig vedlikehold	Før hver bruk	Første 2 timer	Hver 5. time	Hver 10. time	Hver 25. time	Hver sesong	Før lagring	VEDLIKEHOLDSDATOER	
Sjekk nivå på motorolje	√		√			√			
Skift motorolje					√	√			
Sjekk og skru til alle skruer og muttere	√					√			
Sjekk tennpluggen					√	√			
Juster drivbeltet		√			√	√			
Sjekk drivstoff	√								
Tøm for drivstoff							√		
Sjekk justering for naverclutchkabelen (Se kabeljustering)		√				√			
Sjekk justering for trekkclutchkabelen (Se kabeljustering)		√				√			
Smør inn alle dreibare punkter				√			√		
Smør inn naverstangen (Se skifte av sikkerhetsbolter)				√			√		
Smør inn drivkjeder og tannhjul				√			√		

VEDLIKEHOLD

BEMERK: Illustrasjoner begynner på side 2.

Bruke følgende vedlikeholdsseksjon til å holde enheten din i tilfredsstillende bruksstand. All vedlikeholdsinformasjon for motoren finnes i bruksanvisningen fra produsenten av motoren. Før du starter motoren må du ha lest den boken.



ADVARSEL: Før du inspiserer, justerer (unntatt forgasseren) eller reparerer, koble fra ledningen til tennpluggen.

Generelle anbefalinger

Garantien på snøfreseren dekker ikke gjenstander som har blitt feilaktig brukt eller ikke vedlikeholdt av brukeren. For å få fullt utbytte av garantien må brukeren vedlikeholde snøfreseren i tråd med instruksjoner gitt i denne instruksjonsboken.

Enkelte justeringer må foretas periodisk for å sikre ordentlig vedlikehold av snøfreseren.

Etter hver bruk

- Sjekk for løse eller skadde deler.
- Stram til løse fester.
- Sjekk og vedlikehold naver.
- Sjekk kontroller for å sikre at alle fungerer som de skal.
- Dersom noen deler er slitte eller skadede må de skiftes ut øyeblikkelig.

Alle justeringer i **Vedlikeholdsseksjonen** i denne bruksanvisningen bør sjekkes minst en gang hver sesong.

F-031065L

Ved behov

Følgende justeringer bør foretas mer enn en gang hver sesong.

1. Justrer naverdrivbeltet etter de første 2–4 timene, gjenta midt i sesongen og to ganger per sesong deretter. Se "Hvordan justere naverdrivbeltet" i vedlikeholdsseksjonen.

Innsmøring

Hver 10. time (Figur 13)

1. Smør inn **Zerk tilpasninger (1)** med en fettpistol hver tiende time.
2. Hver gang en sikkerhetsbolt blir skiftet må også naverstangen smøres inn.
3. Smør inn alle dreibare punkter.

Hver 25. time

Renne roteringsgir

(Figur 5) Smør rennens roteringsgir (1) med motorolje.

Kjeder

1. (Figur 2) Sett fartsspaken (6) til førstegir.
2. Tøm drivstofftanken for drivstoff. Sett snøfreseren opp med forsiden av **naverhuset (4)** ned.



**ADVARSEL: Tøm drivstoffet uten-
dørs, borte fra ild og flammer.**

3. (Figur 20) Løsne **boltene (3)** på hver side av **bunnpanelet (2)**.
4. Fjern **bunnpanelet (2)**.

5. (Figur 14) Smør kjedene (5) med et kjedesmøremiddel.
6. Tørk **sekskantsskaffet og kjedehjul (6)** med 5W30 motorolje.
MERK: Dersom fett eller olje kommer i kontakt med diskens drivplate (1) eller friksjonshjulet (3), kan skade oppstå. Tørk av overskytende olje eller fett med et alkoholbasert oppløsningsmiddel.
7. (Figur 20) Sett på **bunnpanelet (2)**.
8. Stram til **boltene (3)** på hver side av **bunnpanelet (2)**.

Deler som ikke skal smøres inn (Figur 14)

1. Smør ikke inn sekskantsskaffet og **tannhjulet (6)**. Alle lagre er smurt inn en gang for alle. Før lagring, legg litt 5W-30 motorolje på en klut og tørk over **sekskantsskaffet og tannhjulet (6)** for å unngå rust.
2. Dersom fett eller olje kommer i kontakt med diskens **drivplate (1)** eller friksjonshjulet (3), kan **friksjonshjulet (3)** bli skadet. Pass nøye på å holde diskens **drivplate (1)** og **friksjonshjulet (3)** rent.
FORSIKTIG: Påføring av fett eller olje på ovennevnte komponenter kan føre til tilskitning av friksjonshjulet (3). Dersom diskens drivplate (1) eller friksjonshjulet (3) blir forurenset med fett eller olje vil det føre til skade på friksjonshjulet.
3. Navergirkassen er ferdig innsmurt fra fabrikk, og trenger ingen ytterligere smøring. Dersom smurningen av noen grunn lekker ut må navergirkassen undersøkes av et fabrikkautorisert servicesenter.

Hvordan justere høyden på underlagsbeskyttelsen (Figur 2)

Denne snøfreseren er utstyrt med to høydejusterbare **underlagsbeskyttere (7)**. Disse under-

lagsbeskytterne hever fronten på snøfreseren. For bruk på normalt hardt underlag, så som fortau og oppkjørsel, juster underlagsbeskytterne som følger.

1. Sett snøfreseren på flatt underlag.
2. Pass på at begge hjulene har like mye luft. Korrekt lufttrykk er 14–17PSI (1–1.25 BAR). Overstig aldri maksimumsstørrelsen på lufttrykk som er angitt på siden av hjulet.
3. Sett ekstra sikkerhetsbolter (finnes i deleposen) under hver ende av skrapestangen (15) ved siden av de justerbare underlagsbeskytterne (7).
4. Løsne på monteringsmutterne (16) som holder fast de justerbare underlagsbeskytterne (7). For å senke fronten på snøfreseren, hev begge de justerbare underlagsbeskytterne (7). Stram til monteringsmutrene (16).

BEMERK: For steinete eller ujevnt underlag, hev fronten på snøfreseren ved å senke de justerbare underlagsbeskytterne (7) ned.



ADVARSEL: Vær sikker på at du har god klaring over bakken for det området som skal ryddes. Ting som grus, steiner eller annet kan bli slynget medtilstrekkelig kraft til å påføre personskade, skade på eiendom eller på snøfreseren, dersom de blir truffet av freseren.

Hvordan justere skrapestangen (Figur 2)

Etter en hel del bruk vil skrapestangen (15) bli slitt. Skrapestangen (15), som underlagsbeskytterne, må justeres slik at det er 1/8" (0,3mm) klaring mellom skrapestangen (15) og fortauet eller området som skal ryddes for snø.

1. Sett snøfreseren på flatt underlag.
2. Pass på at begge hjulene har like mye luft. Korrekt lufttrykk er 14–17PSI (1–1.25 BAR). Overstig aldri maksimalt lufttrykk, som er angitt på siden av hjulet.
3. Løsne på låseboltene og mutrene som holder skrapestangen (15) fast til naverhuset (4).
4. Juster skrapestangen (15) slik at det er 1/8" (0,3mm) klaring mellom skrapestangen (15) og fortauet eller området som skal ryddes.
5. Stram til låseboltene og mutrene. Påse at skrapestangen (15) står i parallell med underlaget, altså området som skal ryddes.
6. For å øke levelengden til skrapestangen (15), kan man ta av og montere skrapestangen (15) på igjen i motsatt retning.

Hvordan sjekke og justere kablene

Trekkdrivkabelen og naverdrivkabelen er justerte fra fabrikk. Ved normal bruk kan en kabel bli strukket, og de må derfor sjekkes og justeres som beskrevet i det følgende.

Hvordan sjekke kablene (Figur 15)

1. For å sjekke riktig justering, koble "Z" tilpasningen (1) fra drivspaken (2).
2. Flytt drivspaken (2) forover inntil drivspaken (2) er i kontakt med plaststopperen (3).

F-031065L

3. Kontrollkabelen er riktig justert dersom midten av "Z" tilpasningen (1) er på linje med (4) hulliet i drivspaken (2) og det ikke er noe slakket/hengt i kabelen.

Hvordan justere naverdrivkabelen

1. Tøm drivstofftanken for drivstoff. Sett snøfreseren opp med forsiden av naverhuset ned.



ADVARSEL: Tøm drivstoffet uten-dørs, borte fra ild og flammer.e.

2. (Figur 15) Koble "Z" tilpasningen (1) fra drivspaken (2).
3. (Figur 16) Løft opp fjærdekselet for å komme til fjæren (5). Dytt kabelen (6) gjennom fjæren (5) slik at den firkantede enden (7) på kabelen (6) kommer frem.
4. Hold den firkantede enden (7) fast med nebbetangen, og juster låsemutteren (8) inn eller ut inntil overflødig slakk er borte.
5. Dra kabelen (6) tilbake gjennom fjæren (5).
6. (Figur 15) Koble "Z" tilpasningen (1) til drivspaken (2).

BEMERK: Når naverdrivbeltet justeres eller skiftes ut, skal kabelen kontrolleres og justeres.

Hvordan justere trekkdrivkabelen

1. Fjern drivstoffet fra drivstoffbeholderen. Sett snøfreseren opp med forsiden av naverhuset ned.



ADVARSEL: Drivstoffet skal dreneres bort fra ild eller flamme.

2. (Figur 20) Løsne boltene (3) fra hver side av bunnpanelet (2).
3. Fjern bunnpanelet (2).
4. (Figur 15) Koble fra "Z" tilpasningen (1) fra trekkdrivspaken (2).
5. (Figur 25) La kabelstøvelen (3) gli av kabeljusteringsholderen (4).
6. Trykk på bunnen av trekkkontrollkabelen (5) gjennom kabeljusteringsholderen (4) inntil "Z" kroken (6) kan fjernes.
7. Fjern "Z" kroken (6) fra kabeljusteringsholderen (4). Flytt "Z" kroken (6) ned til neste justeringshull.
8. Trekk trekkkontrollkabelen (5) opp gjennom kabeljusteringsholderen (4).
9. Dra kabelstøvelen (3) over kabeljusteringsholderen (4).
10. (Figur 15) Monter "Z" tilpasningen (1) på trekkdrivspaken (2).
11. (Figur 14) For å kontrollere justeringen, trykk ned på drivspaken og kontroller drivfjærens (7) lengde "A". Ved korrekt justering vil drivfjærens (7) lengde "A" være: minimum 3 tommer (76 mm.) maksimum 3–3/8 tommer (85 mm.).

12. (Figur 20) Sett på bunnpanelet (2).

13. Stram boltene (3) på hver side av bunnpanelet (2).

Hvordan justere beltene

Beltene vil strekkes ved normal bruk. Dersom du trenger å justere beltene fordi de er slitte eller strukkede, gå frem som følger.

Hvordan justere naverdrivbeltet

Dersom snøfreseren ikke slynger opp snø, sjekk justeringen av naverdrivkabelen. Se "Hvordan sjekke og justere kablene" i vedlikeholdsseksjonen. Dersom justeringen er riktig, sjekk tilstanden til naverdrivbeltet. Hvis naverdrivbeltet er skadet må det skiftes ut. Se "Hvordan skifte ut beltene" i vedlikeholdsseksjonen. Dersom naverdrivbeltet henger løst, juster som følger.

1. Koble fra ledningen til tennpluggen.
2. (Figur 17) Ta ut skruen (2) fra beltedekselet (1). Fjern beltedekselet (1).
3. (Figur 18) Løsne mutteren (2) på drivhjulet (3) Flytt drivhjulet (3) 1/8"(3mm) mot naverdrivbeltet (4).
4. Stram til mutteren (2).
5. (Figur 19) Slipp opp naverdrivspaken. Sjekk spennet på naverdrivbeltet (4). Ved korrekt justering kan du bøye naverdrivbeltet (4) 1/2 tomme (1,25cm) (5) ved å dra i det med moderat styrke. Dersom justeringen ikke er riktig, gjenta justeringen.
6. (Figur 17) Sett på igjen beltedekselet (1). Stram til skruen (2).
7. Sjekk justeringen av naverdrivkabelen. Se "Hvordan sjekke og justere kablene" i vedlikeholdsseksjonen.
8. Koble til ledningen til tennpluggen.

Trekkdrivbeltet

Trekkdrivbeltet har et konstant fjærspenn og trenger ingen justering. Dersom trekkdrivbeltet glipper må det skiftes. Se "Hvordan skifte ut beltene" i vedlikeholdsseksjonen.

Hvordan skifte ut beltene

Drivbeltene er spesiallagde og må erstattes med originale reservebelter fra fabrikk, som du kan skaffe fra ditt nærmeste autoriserte servicesenter.

Enkelte steg krever assistanse fra en annen person.

Hvordan skifte ut naverdrivbeltet

Dersom naverdrivbeltet er skadet vil ikke snøfreseren slynge ut snø. Skift ut det skadede beltet som følger.

1. Koble fra ledningen til tennpluggen.
2. (Figur 20) Løsne boltene (3) fra hver side av bunnpanelet (2).
3. Fjern bunnpanelet (2).
4. (Figur 17) Ta ut skruen (2) fra beltedekselet (1). Fjern beltedekselet (1).
5. (Figur 18) Løsne på beltelederen (9). Dra beltelederen (9) bort fra naverdrivhjulet (10).
6. Dra drivhjulet (3) bort fra naverdrivbeltet (4).
7. Fjern det gamle naverdrivbeltet (4) fra naverdrivhjulet (10) og motortrinsen (11). Skift ut naverdrivbeltet (4) med et originalt reservebelte fra fabrikk, som du kan skaffe fra et autorisert servicesenter.
8. Sett det nye naverdrivbeltet (4) på naverdrivhjulet (10) og på trinsen (11).
9. Juster naverdrivbeltet (4). Se "Hvordan justere naverdrivbeltet" i vedlikeholdsseksjonen.

10. Juster **beltelederen (9)**. Se "Hvordan justere beltelederen" i vedlikeholdsseksjonen.
11. **(Figur 17)** Sett på **belteledekslet (1)**. Skru fast **skruen (2)**.
12. Sjekk justeringen av kablene. Se "Hvordan sjekke og justere kablene" i vedlikeholdsseksjonen.
13. Koble til ledningen til tennpluggen.

Hvordan skifte ut trekkdrivbeltet

Dersom snøfreseren ikke vil gå forover, undersøk om trekkdrivbeltet er slitt eller skadet. Dersom trekkdrivbeltet er slitt eller skadet, skift ut beltet på følgende måte.

1. Koble fra ledningen til tennpluggen.
2. Ta av naverdrivbeltet. Se "Hvordan skifte ut naverdrivbeltet" i vedlikeholdsseksjonen.
3. **(Figur 18)** Fjern **e-ringen (17)** fra en av **svingplatens akselstenger (18)**. Fjern **svingplatens akselstang (18)** slik at svingplaten kan svinge fremover.
4. Fjern **trekkdrivfjæren (16)**.
5. Fjern det gamle **trekkdrivbeltet (13)** fra **trekkdrivhjulet (14)** og fra **motortrinsen (15)**. Skift ut **trekkdrivbeltet (13)** med en original reservedel fra fabrikk, som du kan skaffe fra et autorisert servicesenter.
6. Sett det nye **trekkdrivbeltet (13)** på **trekkdrivhjulet (14)** og på **motortrinsen (15)**.
7. Påse at **trekkdrivhjulet (12)** er riktig innstilt i forhold til **trekkdrivbeltet (13)**.
8. Fastgjør **trekkdrivfjæren (16)**.
9. Monter **svingplatens akselstang (18)** og fastgjør med **e-ringen (17)** som ble fjernet tidligere.
10. **(Figur 28)** Bunnen av **svingplaten (20)** skal sitte mellom **sammenstillingsflikene (19)**. Sorg for at **svingplaten (20)** sitter fast.
MERK: Kontroller om svingplaten sitter mellom sammenstillingsflikene dersom enheten ikke kobles etter utskifting av trekkdrivbeltet.

11. **(Figur 18)** Sett inn og juster **naverdrivbeltet (4)**. Se "Hvordan skifte ut naverdrivbeltet" i vedlikeholdsseksjonen.
12. Juster **beltelederen (9)**. Se "Hvordan justere beltelederen" i vedlikeholdsseksjonen.
13. **(Figur 20)** Sett på **bunnpanelet (2)**.
14. Stram **boltene (3)** på hver side av **bunnpanelet (2)**.
15. **(Figur 17)** Sett på **belteledekslet (1)**. Skru fast **skruen (2)**.
16. Sjekk justeringen av kablene. Se "Hvordan sjekke og justere kablene" i vedlikeholdsseksjonen.
17. Koble til ledningen til tennpluggen.

Hvordan justere beltelederen

1. Koble fra ledningen til tennpluggen.
2. **(Figur 17)** Ta ut **skruen (2)**. Fjern **belteledekslet (1)**.
3. **(Figur 2)** Aktiver **naverdrivspaken (5)**.
4. **(Figur 21)** Mål avstanden mellom **beltelederen (2)** og **naverdrivbeltet (3)**. **Riktig avstand (4)** er 1/8 tomme (3.175 mm).


F-031065L

5. Dersom en justering er nødvendig, løsne monteringsbolten for **beltelederen (2)**. Flytt **beltelederen (2)** til riktig posisjon (4). Skru til monteringsbolten for **beltelederen (2)**.
6. **(Figur 17)** Sett på **belteledekslet (1)**. Skru fast **skruen (2)**.
7. Koble til ledningen til tennpluggen.

Hvordan justere eller skifte ut friksjonshjulet

Hvordan sjekke friksjonshjulet

Dersom snøfreseren ikke vil gå forover, undersøk trekkdrivbeltet, trekkdrivkabelen og friksjonshjulet. Dersom friksjonshjulet er slitt eller skadet må det skiftes ut. Se "Hvordan skifte ut friksjonshjulet" i denne seksjonen. Dersom friksjonshjulet ikke er slitt eller skadet, sjekk følgende.

1. **(Figur 2)** Tøm drivstofftanken for drivstoff. Sett snøfreseren opp med forsiden av **naverhuset (4)** ned.
 **ADVARSEL: Tøm drivstoffet uten-dørs, borte fra ild og flammer.**
2. Koble fra ledningen til tennpluggen.
3. **(Figur 17)** Ta ut **skruen (2)**. Fjern **belteledekslet (1)**.
4. Løsne **boltene (3)** på hver side av **bunnpanelet (2)**.
5. Fjern **bunnpanelet (2)**.
6. **(Figur 2)** Sett **fastspaken (6)** i lavestel hastighet fremover.
7. **(Figur 22)** Merk stillingen til **friksjonshjulet (4)**. Riktig stilling "A" fra høyre side av **friksjonshjulet (4)** til yttersiden av motorkassen er:

Dekkstørrelse	Avstand "A"
12 og 13 tommer	4-1/8" (10,5 cm.)
16 tommer	4-5/16" (10,95 cm.)


Dersom **friksjonshjulet (4)** ikke er i riktig stilling, juster som følger.

Hvordan justere friksjonshjulet

1. **(Figur 8)** Løsne **mutteren (9)** på **fartsstyrerestangen (2)**.
2. Fjern **festeanordningene (8)** for å koble fra **balleddet (6)** fra **skiftesamlingen (7)**. For å forlenge eller forkorte **fartsstyrerestangen (2)**, vri **adapteren (10)** til korrekt friksjonshjulsstilling.
3. Samle **balleddet (6)** på **skiftesamlingen (7)** med **festeanordningene (8)**.
4. Stram **mutteren (9)** på **fartsstyrerestangen (2)**.
5. Kontroller at **fartsvelgerspaken (1)** fungerer korrekt. Flytt **fartsvelgerspaken (1)** gjennom alle hastigheter.
6. **(Figur 20)** Sett på **bunnpanelet (2)**.
7. Skru fast **boltene (3)** på hver side av **bunnpanelet (2)**.
8. Sett på **boltene (1)** på hver side av **bunnpanelet (2)**.

Hvordan skifte ut friksjonshjulet

Dersom friksjonshjulet er slitt eller skadet vil ikke snøfreseren gå forover. Friksjonshjulet må da skiftes ut på følgende måte.

1. **(Figur 2)** Tøm drivstofftanken for drivstoff. Sett snøfreseren opp med forsiden av **naverhuset (4)** ned.
 **ADVARSEL: Tøm drivstoffet uten-dørs, borte fra ild og flammer.**
2. Koble fra ledningen til tennpluggen.
3. **(Figur 26)** Fjern festedelene som holder **høyre hjul (10)** på plass. Fjern **høyre hjul (10)** fra **akselen (11)**.
4. Løsne **boltene (3)** på hver side av **bunnpanelet (2)**.
5. Fjern **bunnpanelet (2)**.
6. **(Figur 27)** Fjern festedelene som fastgjør **drivkjedehjulet (12)** til **akselen (11)**.
7. Fjern venstre hjul, **aksel (11)** og **drivkjedehjul (12)**.
8. **(Figur 28)** Fjern de fire **boltene (16)** som holder **lagerne (7)** på plass på hver side av **sekskantsskaffet (8)**.
9. **(Figur 29)** Fjern **sekskantsskaffet (8)** og **lagerne (7)**.
MERK: Legg merke til skivenes (17) plassering.
10. **(Figur 24)** Fjern de tre **festedelene (4)** som holder **friksjonshjulet (5)** på **navet (6)**.
11. **(Figur 24)** Fjern **friksjonshjulet (5)** fra **navet (6)**. La **friksjonshjulet (5)** gli av **sekskantsskaffet (8)**.
12. Monter det nye **friksjonshjulet (5)** på **navet (6)** med festedelene som ble fjernet tidligere.
13. **(Figur 29)** Monter **sekskantsskaffet (8)** og **lagerne (7)** med de fire boltene som ble fjernet tidligere.
Kontroller at skivene (17) sitter riktig i opprinnelig stilling. Sørg også for at de to skivene (13) er riktig sammenstilt med akuatorarmen (14).
14. Kontroller at **sekskantsskaffet (8)** dreier fritt.
15. **(Figur 27)** Monter venstre hjul, **aksel (11)** og **drivkjedehjul (12)** med festedelene som ble fjernet tidligere. Monter **kjeden (15)** på **drivkjedehjulet (12)**.
16. Kontroller justeringen av friksjonshjulet. Se "Hvordan justere friksjonshjulet" i dette avsnittet.
17. Kontroller at friksjonshjulet og diskens driveplate ikke har fett eller olje på.
18. **(Figur 20)** Sett på **bunnpanelet (2)**.
19. Skru fast **boltene (3)** på hver side av **bunnpanelet (2)**.
20. Monter det høyre **hjulet (10)** til **akselen (11)** med festedelene som ble fjernet tidligere.
21. Koble til ledningen til tennpluggen.

Hvordan skifte ut sikkerhetsbolt i naver

Naverne er festet til naverstangen med spesielle sikkerhetsbolter. Disse sikkerhetsboltene er laget for å knekke og beskytte maskinen dersom et fremmedlegeme setter seg fast i naverhuset. Bruk ikke en hardere bolt, da dette vil utgjøre en trussel mot sikkerheten.

1.  **ADVARSEL: For sikkerhet og for å beskytte maskinen, bruk bare originalesikkerhetsbolter.**

For å skifte ut en brukket sikkerhetsbolt, gjør som følger. Ekstra sikkerhetsbolter fulgte med i deleposen til snøfreseren.

1. **(Figur 2)** Sett **gasskontrollen (13)** til stopposisjonen. Koble ut alle kontroller.

2. Koble fra ledningen til tennpluggen. Påse at alle bevegelige deler har stoppet.
3. **(Figur 13)** Smør inn **Zerk tilpasningen (1)**, om slik finnes, på naverstangen med en fettpestol.
4. **(Figur 23)** Mål avstanden mellom **beltelederen (2)**, **mellomstykke (3)**, og **naverdrivbeltet (3)**. **Riktig avstand (4)** er 1/8 tomme (3.175 mm).
5. Koble til ledningen til tennpluggen.
7. Påse at alle muttere, bolter og skruer er godt festet. Inspiser alle synlige, bevegelige deler og se etter skader, brudd og slitasje. Skift ut deler om nødvendig.
8. Dekk til udekkede metaldeler på fresehuset, naver og fremdriver med antirust-spray/smøring.
9. Plasser enheten i en bygning som har god ventilasjon.
10. Dersom maskinen må lagres utendørs, sett klosser under snøfreseren for å sikre at hele maskinen kommer over bakken.
11. Dekk til snøfreseren med et passende beskyttelsesdeksel som ikke samler fuktighet. Bruk ikke plast.

tilgjengelige fra butikken hvor snøfreseren ble kjøpt, fra et serviceverksted anbefalt av butikken eller fra en "Murray, Inc. sentral dele distributor" som listet opp på baksiden av denne instruksjonsboken.

Dersom du ikke får tak i deler som beskrevet fra stedene som er nevnt ovenfor, kontakt :

HAYTER LIMITED,
Service Department,
Spellbrook,
Bishop's Stortford,
Hertfordshire. CM23 4BU.

MURRAY, INC.
International Sales
P.O. Box 268
Brentwood, Tennessee USA 37024
1-800-251-8007
Fax (615) 373-6633
Telefoner på noteringsoverføring tas ikke imot.

Reservedeler til motor, gir eller transmisjonsaksel er tilgjengelige fra produsentens autoriserte servicesentre som kan finnes i de gule sidene i telefonkatalogen. Se også hver enkelt motor- eller transmisjonsgaranti for informasjon om bestilling av reservedeler.

Når du bestiller er følgende informasjon nødvendig :

- (1) Modellnummer
- (2) Serienummer
- (3) Delenummer
- (4) Antall

Hvordan gjøre snøfreseren klar for lagring



ADVARSEL: Tøm ikke drivstoff innen-dørs, ved åpen ild eller når du røyker. Gassdamp kan føre til eksplosjon eller brann.

1. Tøm drivstofftanken.
2. La motoren gå inntil den går tom for drivstoff.
3. Tøm for olje mens motoren er varm. Fyll veivhuset i motoren med ny olje.
4. Ta tennpluggen ut fra sylindere. Tøm ca 30ml olje ned i sylindere. Dra langsomt i trekkstartshåndtaket slik at oljen kan beskytte sylindere. Sett inn ny tennplugg i sylindere.
5. Rengjør snøfreseren grundig.
6. Smør inn alle smørepunkter. Se vedlikeholdsseksjonen.

Hvordan bestille reservedeler

Reservedelene er vist enten på de siste sidene i denne instruksjonsboken eller i en egen delelistebok.

Bruk bare reservedeler som er autoriserte eller godkjente av produsenten. Bokstaven på slutten av et delenummer angir type eller materiale for delen, C for krom, Z for sink, PA for ferdig sammensatt del. Det er viktig at du tar med også dette når du bestiller deler. Bruk ikke ekstrautstyr eller lignende som ikke spesifikt er anbefalt for enheten. For å fremskaffe skikkelige reservedeler må du også legge ved modellnummer (se navneplate).

Reservedeler, unntatt for motor, gir, transmisjonsaksel eller differensialen, er

FEILSØKINGSTABELL

PROBLEM	ÅRSAK	KORRIGERING
Problemer med å starte	Defekt tennplugg.	Erstatt med ny tennplugg.
	Vann eller skitt i drivstoffsystemet.	Bruk forgasserens uttappingsskål til å tømme, og fyll på med nytt drivstoff.
Motoren går uregelmessig	Blokkert drivstoffledning, tom drivstofftank eller foreldet drivstoff.	Rens drivstoffledningen; sjekk drivstoffnivå; fyll på nytt drivstoff.
Motor kveles	Enheden går på CHOKE	Sett choke-spaken til RUN.
Motor går uregelmessig; Tap av kraft	Vann eller skitt i drivstoffsystemet.	Bruk forgasserens uttappingsskål til å tømme, og fyll på med nytt drivstoff.
Kraftige vibrasjoner	Løse deler; skadet fremdriver.	Stopp motoren øyeblikkelig og koble fra ledningen til tennpluggen. Stram til alle bolter og utfør nødvendig reparasjon. Service på enheten skal utføres av en kvalifisert reparatør hvis vibrasjonene fortsetter.
Enheden drives ikke fremover	Drivbeltet henger løst eller er skadet.	Skift ut drivbeltet.
	Feiljustering av trekkdrivkabelen	Juster trekkdrivkabelen.
	Slitt eller skadet friksjonshjul.	Skift ut friksjonshjulet.
Enheden freser ikke ut snø	Naverdrivbeltet henger løst eller er skadet.	Juster naverdrivbeltet; skift ut hvis det er skadet.
	Naverkontrollkabelen ikke riktig justert.	Juster naverkontrollkabelen.
	Sikkerhetsbolt brukket.	Skift ut sikkerhetsbolten.
	Fresekanal blokkert.	Stopp motoren øyeblikkelig og koble fra ledningen til tennpluggen. Rens fresekanalen og innsiden av naverhuset.
	Fremmedlegeme sitter fast i naver.	Stopp øyeblikkelig motoren og koble fra tennpluggledningen. Fjern fremmedlegemet fra naver.

INNEHÅLL

PRODUKTINFORMATION	65
INFORMATION TILL ÄGAREN	65
INTERNATIONELLA BILDER	66
MONTERING	68
ANVÄNDNING	68
UNDERHÅLL	71
UNDERHÅLLSSHEMA	71
FELSÖKNINGSSHEMA	74

TVÅ ÅRS GARANTI

Murray, Inc. garanterar den ursprungliga köparen att denna produkt, vid normal användning och service, skall vara fri från material- och tillverkningsfel i **Två (2) År** från inköpsdatum; denna garanti täcker dock inte motorer, tillbehör (såsom elstarter) och vanliga förbrukningsdelar (förutom vad som nämns nedan) då tillverkarna av dessa delar utformar sina egna garantier och tillhandahåller service genom sina auktoriserade serviceställen. För vidare information, se de garantier som gäller för dessa specifika delar. Om Ni är osäker på om Er enhet innehåller en eller flera av dessa delar, fråga Er försäljare före inköpet. Enligt förbehållen och

villkoren skrivna i denna garanti skall vi, utan kostnad för originalköparen, antingen reparera eller ersätta de delar som täcks av denna garanti under den gällande garantiperioden. Till förbrukningsdelar räknas drivremmar, inmatningsskruvar, brytbultar, däck och strålkastare. Dessa delar garanteras vara utan material- eller tillverkningsfel då de levereras med produkten. Reklamation på reparation eller utbyte av förbrukningsdelar måste göras inom trettio (30) dagar från inköpsdatum. Anspråk rörande skada som uppkommit på grund av materialanvändning, missbruk eller handhavandefel godkänns icke.

Murray Inc. **Två (2) Års Garanti** är Er enskilda rätt, dock med vissa förbehåll; den gäller inte för enhet som blivit manipulerad, modifierad, missbrukad, felaktigt använd eller använd till uthyrning eller andra kommersiella och/eller professionella områden. Er garanti täcker inte mindre mekaniska justeringar som inte beror på fel i material eller i tillverkning. För hjälp med att göra sådana justeringar, se Instruktionsboken.

För att göra en reklamation, som ska täckas av Murray Inc. **Två (2) Års Garanti**, ska enheten returneras (eller om detta godkänts i förväg, den defekta delen) tillsammans med Ert köpebevis

till ett Auktoriserat Service Center nära Er. För att hitta närmaste Auktoriserade Service Center, kontakta den Centrala Reservdelsdistributören i Ert område, vilka finns i listan som levereras med enheten eller i Gula Sidorna. Om Ni skickar tillbaka hela enheten, så lagar vi enheten. Om vi godkänner att endast den defekta delen returneras, så byter vi antingen ut delen eller reparerar den. **Denna Två (2) Års Garanti från Murray Inc. ger Er specifika lagliga rättigheter, och Ni kan också ha rättigheter som kan variera från stat till stat.** Om Ni behöver ytterligare information om denna skriftliga garanti, eller hjälp att få service, skriv till:

HAYTER LIMITED,
Service Department,
Spellbrook,
Bishop's Stortford,
Hertfordshire. CM23 4BU.

MURRAY, INC.
International Sales
P.O. Box 268
Brentwood, Tennessee USA 37024
1-800-251-8007
Fax (615) 373-6633

PRODUKTINFORMATION

Köparen måste förvissa sig om att all produktinformation medföljer enheten. Informationen omfattar INSTRUKTIONS-BÖCKERNA, RESERVDELARNA, och GARANTIERN. Denna information måste medfölja för att säkerställa att gällande lagar följs.

VIKTIGT: Många enheter säljs omonterade och packade i låda. Det är köparens ansvar att försäkra sig om att monteringsinstruktionerna i denna manual följs exakt. Andra enheter köps färdigmonterade. Det är köparens ansvar att på monterade enheter kontrollera att den är rätt ihopmonterad. Ägaren måste, innan enheten tas i bruk, noga kontrollera enheten enligt instruktionerna i denna manual.

3. Inspektera enheten.
4. Se till att användaren av enheten vet hur man använder all standard- och extrautrustning rätt.
5. Använd endast enheten med skydd och säkerhetsanordningar på plats och i funktion.
6. Justera enheten på rätt sätt.
7. Utför endast service på enheten med auktoriserade eller godkända reservdelar.
8. Genomför allt underhåll på enheten.

INFORMATION TILL ÄGAREN

Denna instruktionsbok är skriven för en person med visst tekniskt kunnande. Liksom i de flesta serviceböcker är inte alla steg beskrivna. Stegen där man lossar eller drar åt ett förband är något som vilken person som helst med tekniskt kunnande kan följa. Läs och följ de här instruktionerna innan Ni använder enheten.

Känn till Er produkt: Om Ni förstår enheten och hur den fungerar, kan Ni utnyttja den bäst. Jämför bilderna med enheten när Ni läser igenom den här manualen. Lär Er var kontrollerna sitter och vad de gör. Följ instruktionerna om användande och säkerhet för att förebygga olyckor. Spara denna manual för framtida behov.



WARNING: Titta efter den här symbolen som visar på förebyggande säkerhetsåtgärder. Denna symbol betyder: "Observera! Var vaksam! Er säkerhet är i fara."

Ägarens ansvar

Det är ägarens ansvar att följa nedanstående instruktioner.

1. Var noga med att följa reglerna för säker användning.
2. Följ samtliga instruktioner för montering och förberedelser.

Miljömedvetenhet

- Fyll inte motorns bränsletank helt och hållet.
- Tappa ur bränsle vid långtidsförvaring under säsonger då enheten ej brukas.
- Använd endast blyfri bensin.
- Utför regelbunden service på luftrenaren.
- Byt olja regelbundet. Använd 5W-30 olja.
- Finjustera motorn regelbundet.
- Håll utrustningen i gott arbetsskick.
- Gör Er av med använd motorolja på vederbörligt sätt.

MODEL NO.: 629108x61D

SKU No.:

YYYY MM DD: _____

SERIAL NO.:

3750 min-1

108 kg



Manufactured in Lawrenceburg, TN 38464, U.S.A.

Deklarerade värden för vibrationsöverföring överensstämmer med direktiv 98/37/EU
Vibrationsöverföring överensstämmer med EN 1033; 1996: **28,4 m/s²**.
Värdena är uppmätta vid handtaget och maskinen stillastående på en betongyta vid 3750 min⁻¹.

Deklarerade värden för buller på Lwa 111 dB överensstämmer med direktiv 2000/14/EG, tillägg V.

Ljudtrycksnivå i körposition **96 dB**.

Värdena är uppmätta vid användarens öron i enlighet med specifikationerna i EN ISO 11201.

INTERNATIONELLA BILDER

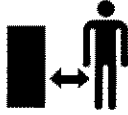
VIKTIGT: Följande bilder finns på Er enhet eller i litteraturen som följer med produkten. Lär Er känna igen bilderna och förstå vad de betyder innan Ni använder enheten.

Varningssymboler



FARA

Utkastade Föremål.
Håll Åskådare På
Avstånd.



FARA

Utkastade Föremål.
Håll Åskådare På
Avstånd.



VARNING



FARA

Stanna Maskinen
Innan Ni Rensar
Utkaströret.



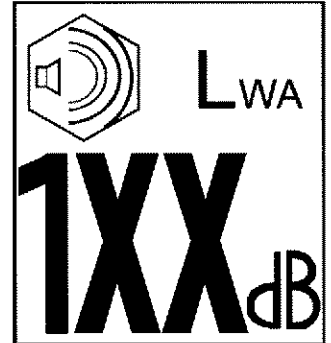
VIKTIGT

Läs Ägarens Manual
Innan Ni Använder
Maskinen.



FARA

Undvik Skada Från
Roterande Inmatare.
Håll Händer, Fötter
Och Kläder Borta.



Deklarerade värden för luft-
buren ljudtrycksnivå på 111
dB(A) Iva överensstämmer
med direktiv 2000/14/EG.

Kontroll och användningssymboler



Sakta



Fort



Elstart



Motorstart



Motor På



Motor Av



Motor Stopp



På



Choke Av



Choke På



Neutral



Framåt



Bakåt



Gas



Insprutningsknapp



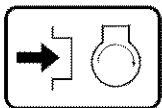
Tändningsnyckel



Tändning Av



Tändning På



Tryck För Att
Koppla in Elstart



Koppla in



Inmatarkoppling



Uppsamlare
Inmatning



Utkast nedåt



Utkast uppåt



Utkast Vänster



Utkast Höger



Drivkoppling



Bränsle



Olja



Oljeblandat Bränsle



Viktfordelning

Lyft Spaken För Att Koppla In

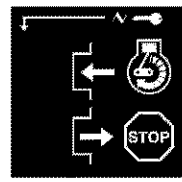


Viktfordelning

Tryck Ner Pedal För Att Koppla Ur



Transmisson



Tändningsnyckel

Sätt I För Att Köra, Ta Bort För Att Stanna

Förfarande för säker drift av snöslungor

VIKTIGT: Säkerhetsnormen kräver säkerhetshandtag för att minimera skaderisken. Denna snöslunga är utrustad med sådana säkerhetshandtag. Försök under inga omständigheter att manipulera handtagets funktion.

Utbildning och information

1. Läs igenom användar- och servicemanualen noga. Gör Er bekant med kontrollerna och hur man bäst använder utrustningen. Lär Er hur Ni snabbt kan stanna maskinen och koppla ur kontrollerna.
2. Låt aldrig barn använda maskinen. Låt inte heller vuxna använda maskinen utan riktiga instruktioner.
3. Se till att arbetsområdet är helt fritt från människor, i synnerhet små barn, och husdjur.
4. Iakttag försiktighet för att undvika att halka eller falla, speciellt då maskinen backas.

Förberedelser

1. Inspektera noga området där maskinen skall användas. Avlägsna alla dörmattor, pulkor, bräddor, linor och andra främmande föremål.
2. Frilägg alla kopplingar innan motorn startas.
3. Använd inte maskinen utan ordentliga vinterkläder. Bär skor eller kängor som ger ordentligt fotfäste på hala underlag.
4. Hantera bränsle försiktigt; det är lättantändligt.
 - a. Använd en godkänd bränsledunk.
 - b. Avlägsna aldrig locket till bränsletanken och fyll aldrig på bränsle med motorn igång eller då den fortfarande är varm.
 - c. Fyll bränsletanken utomhus och var försiktig. Fyll aldrig tanken inomhus.
 - d. Sätt tillbaka tanklocket ordentligt och torka bort eventuell spilld bränsle.
 - e. Förvara aldrig bränsle eller snöslunga med bränsle i tanken inomhus om det föreligger risk att ångorna kan komma i kontakt med öppen eld eller gnistor.
 - f. Kontrollera bränslenivån före varje användningstillfälle. Se till att det finns utrymme kvar i tanken för expansion, då värmen från motorn och/eller sol kan orsaka bränsle att expandera.
5. Till alla enheter med elektrisk startmotor skall förlängningskabel för elektrisk startmotor godkänd av CSA/UL (Canadian Standards Association / Underwriters Laboratories) användas. Får endast användas med skarvdon som har installerats enligt lokal besiktningsmyndighets bestämmelser.

6. Justera höjden på snöslungan vid arbete på underlag av grus eller kross.
7. Försök aldrig göra justeringar då motorn är igång (förutom vid särskild rekommendation från tillverkaren).
8. Låt motorn och snöslungan anpassa sig till utomhustemperaturer innan snöröjningsarbete påbörjas.
9. Bär alltid skyddsglasögon eller visir under arbete eller då justering eller reparation utförs, för att skydda ögonen från främmande föremål som kan kastas ur snöslungan.

Drift

1. Använd inte denna maskin om Ni använder läkemedel eller annan medicinering som kan orsaka sömnhet eller påverka Er förmåga att föra denna maskin.
2. Använd inte den här maskinen om Ni på grund av mental eller fysisk ohälsa är oförmögen att säkert framföra maskinen.
3. Sätt inte händer eller fötter i närheten av eller under roterande delar. Undvik alltid att stå i vägen för utkastöppningen.
4. Var alltid extra försiktig när Ni kör på eller korsar grusvägar, promenadvägar eller uppfarter. Var vaksam för dolda faror och trafik.
5. Om Ni träffat ett främmande föremål; stanna motorn, lossa kabeln till tändstiftet, undersök snöslungan noga efter eventuella skador och reparera skadan innan snöslungan startas och körs på nytt.
6. Om maskinen skulle börja vibrera onormalt mycket; stanna motorn och undersök genast orsaken. Vibration är ofta ett tecken på att någonting är fel.
7. Stanna motorn så fort Ni ska lämna förarplatsen, innan Ni ska rensa inmatarhuset eller utkaströret och innan reparationer, justeringar eller inspektioner utförs.
8. Vid rengöring, reparation eller inspektion försäkra Er om att inmataren/rotorn och andra rörliga delar har stannat och att alla kontroller är urkopplade. Koppla bort tändstiftskabeln och se till att den inte kan komma i kontakt med tändstiftet och därmed orsaka en start av misstag.
9. Vidtag alla möjliga försiktighetsåtgärder då snöslungan lämnas utan uppsikt. Koppla ur inmataren/rotorn, stanna motorn och ta ur nyckeln.
10. Kör inte motorn inomhus, utom vid igångsättning av motorn och för att transportera snöslungan in och ut ur byggnaden. Öppna dörrarna ut; avgas är farlig (innehåller KOLOXID, en LUKTLÖS och DÖDLIG GAS).

11. Röj inte snö i backiga miljöer. Var oerhört försiktig då Ni ska byta riktning på sluttningar. Försök inte röja snö i branta sluttningar.
12. Använd aldrig snöslungan utan att riktiga skydd, plåtar och andra säkerhetsanordningar finns på plats.
13. Kör aldrig snöslungan i närheten av stängsel, fordon, fönster, branta sluttningar och liknande, utan rätt inställning på utblåsvinkeln. Se till att inga barn eller husdjur är i närheten.
14. Överlasta inte maskinkapaciteten genom att försöka röja snö med för hög hastighet.
15. Kör aldrig maskinen i hög transporthastighet på hala underlag. Håll uppsikt bakåt och iakttag försiktighet när maskinen backas.
16. Rikta aldrig utkastet mot personer som står vid sidan om. Låt inte någon att stå framför maskinen.
17. Koppla ur inmataren när snöslungan transporteras eller när den inte används:
18. Använd endast tillbehör och extrautrustning som godkänts av tillverkaren av snöslungan (snökedjor, sats för elstartmotor, etc.).
19. Använd aldrig snöslunga när det inte är klar sikt eller ordentligt ljus. Se till att alltid ha bra fotfäste och ett stadigt grepp om handtagen. Gå, spring aldrig.
20. Sträck Er inte ut för långt. Se till att hela tiden ha bra fotfäste och god balans.
21. Var oerhört försiktig när slungan används på ytor som lutar kraftigt.
22. Denna snöslunga ska användas till trottoarer, uppfarter och andra ytor i marknivå.
23. Använd inte snöslungan på ytor ovanför marknivå, såsom hustak, garage, altaner eller liknande byggnationer.

Underhåll och förvaring

1. Kontrollera med jämna mellanrum att brytbultar och andra bultar är ordentligt åtdragna, så att maskinen är i säkert skick att köra.
2. Förvara aldrig snöslungan med bränsle i tanken inomhus där källor för antändning, såsom varmvatten, luftuppvärmare, klädtorkar och liknande, finns. Låt motorn svalna innan den ställs in för förvaring i slutna rum.
3. Läs alltid Användarmanualen för viktig information om snöslungan ska ställas undan en längre period.
4. Underhåll och byt säkerhets- och instruktionsetiketter, vart efter som det är nödvändigt.
5. Kör snöslungan i ytterligare ett par minuter efter användning för att förhindra att inmatarskraven fryser fast.

MONTERING

Läs och följ instruktionerna för montering och justering av Er snöslunga. Alla monteringsförband ligger i reservdelspåsen. Släng inga delar innan enheten är färdigmonterad.



WARNING: Innan Ni utför något monterings- och underhållsarbete, ta loss kabeln från tändstiftet.

NOTERA: När höger och vänster nämns i instruktionsboken för att beskriva var en del sitter, ska detta ses från förarens plats bakom maskinen.

NOTERA: Vridmoment mäts i newtonmeter (Nm). Detta mått beskriver hur hårt en mutter eller bult måste vara åtdragen. Momentet mäts med en momentnyckel.

NOTERA: Bilderna börjar på sidan 2.

NOTERA: Fästelement och lösa delar visas i verklig storlek i figur 30.

Verktyg

- | | |
|---|-----------------------|
| 1 | Kniv |
| 1 | Tång |
| 2 | 1/2 tums fast nyckel |
| 2 | 9/16 tums fast nyckel |
| 2 | 3/4 tums fast nyckel |
| 1 | Måttband eller linjal |
| 1 | Skruvmejsel |

Hur man tar ut snöslungan ur kartongen

- (Figur 1)** Bilden visar i vilken position snöslungan transporteras.
- Klipp av och släng plastbanden som håller fast vevdelar och stag till hastighetsreglage.
- Skär ner i alla fyra hörnen av lådan och vik ner sidorna.
- Leta fram och ta ur alla separat packade delar som ligger i kartongen.
- Ta bort och släng packmaterialet runt snöslungan.
- (Figur 2)** I transportsyfte är höjdjusterings-skidorna (7) fästade vid pallan. Avlägsna skruven (17) som håller fast varje skida (7) vid pallan.
- Ta tag i det nedre handtaget och dra snöslungan från transportpallan.
WARNING: Backa INTE över kablar.
- Ta bort packmaterialet från handtagen.
- Kapa remmarna som håller fast **kablarna till kopplingskontrollen (1)** vid det nedre **handtaget (2)**. Flytta kablarna från motorramen.

Hur man monterar handtag och vevstag

- (Figur 3)** Lossa, men ta inte bort, **muttrarna (1)** i de översta hålen på det nedre handtaget.
- Ta bort fästelementen och öglebulten (11) från de undre hålen på det nedersta handtaget.
- Figur 2** För **växelväljaren (6)** till första växalläget.
- (Figur 3)** Höj det övre **handtaget (2)** till rätt position.

F-031065L

NOTERA: Se till att **kablarna inte kläms fast mellan det övre och undre handtaget.**

- Montera fästelementen och **öglebulten (11)** som togs bort i steg 2. DRAG EJ åt förrän alla fästelement är på plats.
- (Figur 5)** Fäst **vevstaget (15)** vid **universalfästet (16)** med **saxpinnen (12)**.
- (Figur 3)** Dra åt muttern på **öglebulten (11)**. Se till att **öglebulten (11)** är ordentligt justerad så att **veven (18)** kan rotera fritt.
- Dra åt alla muttrar och bultar.

Hur man installerar hastighetsreglaget

- (Figur 8)** Fäst **kulleden (6)**, som sitter i nedre änden av staget till **hastighetskontrollen (2)**, på **växeloket (7)**. **Fästena (8)** monteras på **kulleden (6)** på fabriken.
Längden på **kulleden (6)** och staget för **hastighetsreglaget (2)** kommer förinsälpt från fabriken. Om ytterligare justering behövs, lossa **muttern (9)**. Ta bort **fästena (8)** för att koppla loss **kulleden (6)** från **växeloket (7)**. För att göra staget till **hastighetsreglaget (2)** längre eller kortare, vrid **adaptorn (10)** för att uppnå rätt längd.
- (Figur 4)** Fäst **handtaget (11)** på **hastighetsväljarreglaget (5)**. På vissa modeller är **handtaget (11)** monterat. För att låsa i läge. Drag åt **låsmuttern (10)** mot **handtagets (11)** botten.
- Säkerställ att **hastighetsväljarreglaget (5)** fungerar korrekt. Flytta **reglaget (5)** genom samtliga växellägen.

Hur man monterar utkastriktaren

- (Figur 6)** Avlägsna **vagnsbulten (1)**.
- Lyft upp **utkastriktaren (2)** till driftsläge (3).
- Fäst **utkastriktaren (2)** vid **flänsen (4)**, ed **vagnsbultarna (1)**. Tillse att **vagnsbultens (1)** huvud monteras på **utkastriktarens (2)** insida.
- Fäst med brickorna (5) och låsmuttrarna (6).
- Dra åt låsmuttrarna (6) ordentligt.

NOTERA: Tillse att **samtliga vagnsbultar är åtdragna. DRA INTE FÖR HÅRT.**

Kontrollera kablarna

- (Figur 7)** Kontrollera kabeln till **framåtdrivningen (1)** och **kabeln till inmatardrevet (2)**. Om nedre delen av kablarna har lossnat, skall de sättas tillbaka.
- (Figur 9)** Om övre delen till **kablarna (5)** lossat från **drivspakarna (6)**, så sätt tillbaka dem i **"Z"-fästet (7)**.

Hur man justerar höjden på medarna (Figur 2)

Snöslungan är utrustad med **medar (7)** som kan ställas in i höjdlid, monterade på utsidan av **inmatningshuset (4)**. För att justera höjden på medarna, se "Hur man justerar höjden på medarna" i avsnittet Underhåll.

Hur man ställer in längden på kablarna

Kablarna kommer förjusterade från fabrik och ytterligare justering ska inte behövas. När väl handtagen är i rätt arbetsposition kan dock kablarna bli för snäva eller för lösa. Om en justering

skulle bli nödvändig, se "Hur man kontrollerar och justerar kablarna" i sektionen Service och Justering.

Hur man monterar skärare (om snöslungan är utrustad med en)

Skärare används till att skära en väggenom snön, djupare än inmatarhuset.

- (Figur 10)** Lossa **fästena (2)** som håller fast **skärarna (1)** på inmatarhuset.
- Lyft **skäraren (1)** till önskad höjd.
- Dra åt **bultarna (2)**.

Hur man förbereder motorn

OBSERVERA: När motorn levererades från fabriken var den fylld med olja. Kontrollera oljenivån. Fyll på olja om det behövs.



WARNING: Följ motortillverkarens instruktioner om vilken typ av bränsle och olja som ska användas. Använd alltid en säker bränsletank. Rök inte när Ni fyller på bensin. Fyll inte på bensin inomhus. Stanna motorn innan Ni fyller på bensin. Låt motorn svalna ett par minuter.

Se efter i motortillverkarens instruktioner vilken typ av bränsle och olja som skall användas. Läs informationen om säkerhet, användning, underhåll och förvaring, innan Ni använder enheten.

Viktigt! Innan du börjar använda enheten:

- Kontrollera fästelementen. Se till att alla fästelement är åtdragna.**
- På modeller med elektrisk start levererades enheten med startmotorkabeln ansluten till motorn. Koppla bort startmotorkabeln från motorn innan enheten används.**

ANVÄNDNING

NOTERA: Bilderna börjar på sidan 2.

Lär Er allt om snöslungan (Figur 2)

Läs denna Instruktionsbok och säkerhetsreglerna före användande av snöslungan. Jämför bilderna med snöslungan för att lära Er hur de olika kontrollerna och justeringsdonen sitter.

Spak till drivhjul (1) – Välj framåt eller bakåt.

Vevstag (2) – Ändrar riktning på utkaströret.

Utkaströr (3) – Avgör hur långt snön ska kastas ut.

Spak till inmatardrev (5) – Startar och stannar inmatningsskruv och rotor (inmatning och utkastning av snö).

Hastighetsväxlare (6) – Styr snöslungans fart.

Medar för höjdjustering (7) – Justerar frigång för inmatningshuset.

Tändningsnyckel (8) – Måste sitta i för att motorn ska kunna startas.

Knapp till bränsleinsprutning (9) – Sprutar bränsle direkt in i förgasaren för start i kyla

Knapp till elstartmotor (10) – Används på elstartmodeller till att starta motorn.

Kopplingslåda (11) – På modeller med elstart, används för att koppla på 220V elsladd.

Handtag för manuell start (12) – Används för att starta motorn manuellt.

Gasreglage (13) – Kontrollerar motorvarv.

Choke (14) – Används vid start av kall motor.

Skärare (18) – (om snöslungan är utrustad med en) Skär en väg genom snö som är högre än inmatningshuset.

Brytbultar (19) – För att skydda motorn är speciella brytbultar konstruerade att brytas av då ett objekt fastnat i inmatningshuset. Användning av en hårdare, tåligare bult tar bort det skydd som brytbulten ger.

Hur man kontrollerar snöutkastningen



WARNING: Rikta inte utkastaren mot personer som står bredvid.



WARNING: Stanna alltid motorn innan rensning av utkastarröret eller inmataren sker och innan Ni lämnar snöslungan.

1. (Figur 2) Veva på **vevstaget (2)** för att ändra utkastningsriktningen.
2. (Figur 11) Lossa **låsratten (1)** på **utkastriktaren (2)**.
3. Flytta **utkastriktaren (2)** uppåt för längre håll eller nedåt för kortare.
4. Dra åt **låsratten (1)**.
- 5.

Hur man stannar snöslungan (Figur 2)

1. För att sluta kasta ut snö; släpp **spaken till inmatardrevet (5)**.
2. För att stanna hjulen; släpp **spaken till drivhjulet (1)**.
3. För att stanna motorn; skjut **gasreglagespaken (13)** till av-läge och ta ur **tändningsnyckeln (8)**.

Hur man gör för att köra framåt och bakåt (Figur 2)

1. För att ändra färdhastighet; släpp först **drivhjulsspaken (1)** och för sedan **hastighetsväxlaren (6)** till önskat läge.
2. Färdhastighet bestäms av snöförhållanden. Välja hastighet genom att föra **hastighetspaken (6)** till passande läge i plattan.

Hastighet 1, 2	Blöt, Tung
Hastighet 3	Lätt
Hastighet 4	Mycket Lätt

F-031065L

Hastighet 5, 6 Endast transport.

3. För att gå framåt; Lagg i **drivhjulsspaken (1)**. Håll ett stadigt grepp om spaken medan snöslungan börjar röra sig framåt. Styr snöslungan genom att föra handtaget åt antingen höger eller vänster. Försök inte att skjuta på snöslungan.
4. För att gå bakåt; koppla ur **drivhjulsspaken (1)**.
5. För **hastighetsväxlaren (6)** till antingen första eller andra back-läge.
6. Lagg i **drivhjulsspaken (1)**. **VIKTIGT: Flytta inte hastighetsväxlaren (6) när drivhjulsspaken (1) ligger i.**

Hur man slungar snö (Figur 2)

1. Lagg i **spaken till inmatningsdrevet (5)**.
2. För att sluta slunga snö; koppla ur **spaken till inmataren (5)**.



WARNING: Användning av en slunga kan resultera i att främmande föremål kastas ut och träffar ögonen, vilket kan orsaka svåra ögonskador. Använd alltid skyddsglasögon eller visir vid arbete med snöslungan. Vi rekommenderar skyddsglasögon av standardmodell eller visir över Era glasögon.

Hur man använder hjulspärrpinne (Figur 12)

1. Vänster hjul är säkrat på axeln med en **klipp-pinne (1)**. Denna enhet är levererad med **pinnen (1)** genom hjulhålet i det **låsta läget (2)**.
2. Ändra **pinnen (1)** till ett **olåst läge (3)** för att lättare manövrera i låta snöförhållanden
3. Ta ur **pinnen (1)** från det **låsta läget (2)** på hjulet. Tryck i **pinnen (1)** endast i det olåsta axelhålet. Enheten är nu i **olåst läge (3)** för enkelhjulsdrev.

Innan motorn startas

1. Lär Er snöslungans funktioner innan Ni utför service eller startar motorn. Var säker på att Ni förstår funktionen och placeringen av alla kontroller.
2. Kontrollera spänningen på kopplingskabeln innan motorn startas. Se "Hur man justerar kopplingskabeln" i avsnittet Underhåll i denna manual.
3. Se till att alla förband är åtdragna.
4. Se till att medarna för höjjustering är rätt inställda. Se "Hur man justerar höjden på medarna" i avsnittet Underhåll i denna manual.
5. Kontrollera lufttrycket i däcken. Rätt lufttryck är 14 PSI (1 BAR) till 17 PSI (1,25 BAR). Överskrid inte det maximala lufttryck som står på sidan av däck.

Hur man stannar motorn (Figur 2)

För att stanna motorn; för **gasreglaget (3)** till stopp-läge och avlägsna **tändningsnyckeln (8)**. Förvara **tändningsnyckeln (8)** på ett säkert ställe. Motorn startar inte utan att **tändningsnyckel (8)** sitter i.

Hur man startar motorn (Figur 2)

Modeller utrustade med elstart

NOTERA: Motorer med manuell start kan utrustas med ett elstartmotorpaket. Elstartpaket finns att köpa i närmaste auktoriserade servicecenter.



WARNING: Startmotorn är utrustad med jordad elsladd för 220 volts hushållsel. Sladden måste alltid vara ordentligt jordad, för att undvika elektrisk chock som kan skada användaren. Följ noggrant instruktionerna i avsnittet "Hur man startar motorn". Se till att Ni kopplar in sladden till ett jordat trekabeluttag. Om Ni inte säkert vet om huset har ett jordat trekabelsystem, fråga en licensierad elektriker. Om elsystemet i huset inte är jordat, får elstartmotorn inte på några villkor användas. Om elsystemet är jordat men det saknar jordad trekabeluttag att koppla start motorns sladd till, se till att en licensierad elektriker installerar ett jordat treka-beluttag. Då man ska sätta in en 220V-kontakt ska alltid kontakten till kopplingslådan (11) på motorn sättas i först. Sen kan andra änden av sladden sättas i ett jordat trehålsuttag. När sladden ska tas ur ska alltid kontakten till det jordade trehålsuttaget tas ur först.

Hur man startar en kall motor (Figur 2)

1. Kolla motoroljan.
2. Fyll vanlig blyfri bensin i bränsletanken. Se "Hur man förbereder motorn".
3. Se till att spaken **till drivhjulet (1)** och **spaken till inmatardrevet (5)** är i urkopplat läge.
4. För **gasreglage (13)** till snabba läget.
5. Sätt i **tändningsnyckel (8)** i tändningshålet. Se till att tändningsnyckeln snäpper fast. **Vrid inte tändningsnyckeln (8)** Ta undan den extra tändningsnyckeln och förvara på säkert ställe.
6. För **choken (14)** till fullt choke-läge.
7. (Elstart) Koppla elsladden till **kopplingslådan (11)** som sitter på motorn.
8. (Elstart) Koppla andra änden av elsladden till ett jordat, 220V-, trehålskontakt för växelström. (Se VARNINGEN i denna sektion).
9. Tryck in **insprutningsknappen (9)**. Vänta två sekunder varje gång Ni tryckt in **insprutningsknappen (9)**. Hur många gånger **insprutningsknappen (9)** måste tryckas in står i motortillverkarens instruktioner.
10. (Elstart) Tryck in **knappen till elstartmotorn (10)** tills motorn startar. Veva inte i mer än 10 sekunder i taget. Den elektriska startern är överhettningsskyddad. Om elstartern överhettas stannar den automatiskt och kan bara startas igen då den har svalnat till en säkrare temperatur. Det krävs 5 till 10 minuter för att låta elstartern svalna.
11. (Manuell Start) Dra hastigt i **starthandtaget (12)**. Låt inte **starthandtaget (12)** rycka tillbaka. För sakt tillbaka **handtaget (12)**
12. Om motorn inte startar på 5 eller 6 försök, se instruktioner i "Felsökningsschema"
13. (Elstart) När motorn startar, släpp **elstartknappen (10)** och för in **choken (14)** halv-vägs. När motorn går jämnt, för tillbaka **choken (14)** i av-läge.

14. (Elstart) Koppla först ur elsladden ur trehålskontakten. Koppla sedan loss elsladden från **kopplingslådan (11)**.

NOTERA: I temperaturer under -18°C (0°F), ska man låta motorn värma upp i flera minuter innan snöröjning påbörjas.

15. Kör alltid motorn med **gasreglaget (13)** i snabba läget, då maskinen slungar snö.



WARNING: Kör aldrig motorn inomhus eller i instängda, dåligt ventilerade utrymmen. Avgaser från motorer innehåller koloxid, en luktlös, dödlig gas. Håll händer, fötter, hår och lösa kläder borta från de rörliga delarna på motorn och på snöslungan. Temperaturen på avgasrenaren och området där intill kan överstiga 65°C (150°F). Undvik dessa områden.

Hur man startar en varm motor (Figur 2)

Om motorn har varit igång och fortfarande är varm, använd inte **choken (14)** och tryck inte på **insprutningsknappen(9)**. Om motorn inte startar, följ instruktionerna "Hur man startar en kall motor".

NOTERA: Använd inte knappen till bränsleinsprutning (9) för att starta en varm motor.

Hur man startar en motor med en frusen elstarter (Figur 2)

Om elstartern har frusit och inte slår på motorn, följ nedanstående instruktioner.

1. Dra ut det **manuella starthandtaget (12)** så långt det går.

2. Släpp hastigt **starthandtaget (12)**. Låt **starthandtaget (12)** rycka tillbaka mot den manuella startern.

Om motorn fortfarande inte vill starta, upprepa de två föregående stegen tills motorn startar. Fortsätt sedan med instruktionen "Hur man startar en kall motor".

För att förebygga eventuell tillfrysning av den manuella startern och av motorkontrollerna, fortsätt enligt nedan efter varje röjningsarbete.

1. Medan motorn går, drag hastigt i **starthandtaget (12)** tre eller fyra gånger hela tiden med fullt utslag. Detta åstadkommer ett högt smattrande ljud som inte är farligt för motorn eller startern.
2. Stanna motorn. Torka bort all snö och fukt från förgasarlocket, kontrollspakar och kablar. Rör också på **gasreglaget (13)**, **choken (14)** och **starthandtaget (13)** ett par gånger.

Hur man tar bort snö och skräp ur inmatarhuset (Figur 2)



WARNING: Försök aldrig ta bort snö eller skräp som fastnat i inmatarhuset, utan att först vidta följande säkerhetsåtgärder.

1. Koppla ur **spaken till inmataren (5)**.
2. För **gasreglaget (13)** till stopp-läge.
3. Ta ur **tändningsnyckeln (8)**.
4. Koppla loss tändstiftskabeln.
5. Stoppa aldrig in händerna i **inmatarhuset (4)** eller **utkaströret (3)**. Använd kofot eller dylikt för att ta bort snö eller skräp.

Snöröjningstips

1. För maximal effektivitet på snöslungan, ändra färdhastighet, ändra ALDRIG motorvarv. Motorn är utformad så att den ska ge maximal prestanda vid full gas och måste köras i snabba läget hela tiden. I djup, frusen, eller blöt snö, reducera färdhastigheten framåt. Reducera också färdhastigheten framåt om hjulen halkar.
2. Den mest effektiva snöröjningen uppnås när snön tas bort direkt efter den fallit.
3. För att helt ta bort snön, överlappa hela tiden föregående körbanor något.
4. När det är möjligt, kasta ut snön i medvind.
5. För normal användning, ställ in medarna så att skraporna är $1/8$ " ovanför medarna. Vid extremt hårdpackade snöunderlag, justera upp medarna så att skraporna når ner till marken.
6. Stenar och grus får inte plockas upp och kastas ut av maskinen. På grus- eller krossunderlag, ställ in medarna så att de är $1-14$ " nedanför skraporna. Se "Hur man justerar höjden på medarna" i avsnittet Underhåll.
7. Efter varje snöröjningsarbete, låt motorn tomköra ett par minuter. Snö och uppsamlad is smälter då av motorn.
8. Rengör snöslungan efter varje användning.
9. Ta bort all is, snö och skräp från hela snöslungan. Spola med vatten för att få bort allt salt eller andra kemikalier. Torka snöslungan torr.

UNDERHÅLLSSCHEMA

KONSUMENTANSVAR

SERVICEPROTOKOLL Fyll i datum vartefter service fullgjorts	Före varje gång	Första 2 tim	Var 5:e timma	Var 10:e timma	Var 25:e timma	Varje säsong	Före förvaring	SERVICEDATUM
Kontrollera nivå på motorolja	√		√			√		
Byt motorolja					√	√		
Kontrollera och dra åt alla skruvar och muttrar	√					√		
Kontrollera tändstift					√	√		
Justera drivrem		√			√	√		
Kontrollera bränsle	√							
Tappa ur bränsle							√	
Kontrollera inställning av kopplingskabel till inmataren (Se Kabeljustering)		√				√		
Kontrollera inställning av kopplingskabel till drivhjul (Se Kabeljustering)		√				√		
Smörj alla vridpunkter.				√			√	
Smörj Inmatarstång (Se Byte av Brytbultar)				√			√	
Smörj Drivkedjor och drev				√			√	

UNDERHÅLL

NOTERA: Bilder börjar på sidan 2.

Använd följande avsnitt om Underhåll för att hålla Er enhet i gott arbetsskick. All underhållsinformation för motorn är motortillverkarens instruktioner. Läs den här boken innan Ni startar motorn.



WARNING: Innan Ni gör en inspektion, justering (förutom vid inställning av förgasare), eller reparation ska kabeln tas bort från tändstiftet.

Allmänna rekommendationer

Garantin för denna snöslunga täcker inte objekt som blivit utsatt för felaktigt handlande eller vårdslöshet av användaren. För att få full valuta för garantin måste användaren underhålla snöslungan enligt instruktionerna i denna manual. Vissa justeringar måste periodvis göras för att underhålla snöslungan ordentligt.

Efter varje användning

- Kontrollera om det finns några lösa eller trasiga delar.
- Dra åt eventuella lösa förband.
- Kontrollera och underhåll inmatarskraven.
- Kontrollera kontrollerna och se till att de fungerar ordentligt.

F-031065L

- Om några delar är utslitna eller skadade, byt ut dem med en gång.

Alla justeringar i avsnittet om Underhåll i den här manualen bör kontrolleras åtminstone en gång i varje säsong.

Krav

Följande justering bör utföras mer än en gång varje säsong.

1. Justera drivremmen till inmataren efter de första 2 till 4 timmarna, igen efter halva säsongen och därefter två gånger per säsong. Se "Hur man justerar drivremmen till inmataren" i avsnittet om Underhåll.

Smörjning

Var 10:e timma (Figur 13)

1. Smörj **Zerk-kopplingarna (1)** var tionde timma med en fettspruta.
2. Varje gång en brytbult måste bytas ut måste också inmataraxeln smörjas
3. Smörj alla vridpunkter.

Var 25:e timma

Rännans vridningsmekanism

(Figur 5) Smörj rännans vridningsmekanism (1) med motorolja.

Kedjor

1. (Figur 2) Lägg hastighetsväxlaren (6) i första läget.
2. Ta ur bränslet ur tanken. Ställ upp snöslungan på den främre delen av **inmatarhuset (4)**.



WARNING: Tappa ur bensinen utomhus, på säkert avstånd från eld eller flammor.

3. (Figur 20) Lossa **bultarna (3)** på varje sida om **bottenplåten (2)**.
 4. Ta bort **bottenplåten (2)**.
 5. (Figur 14) Smörj **kedjorna (5)** med kedjefett.
 6. Torka av **drev och drevaxel (6)** med 5W30 motorolja.
- NOTERA: Om fett eller olja kommer i kontakt med drivskivan (1) eller friktionshjulet (3), kan de skadas. Avlägsna eventuell olja eller fett med en alkoholbaserad lösning.**
7. (Figur 20) Sätt tillbaka **bottenplåten (2)**.
 8. Dra fast **bultarna (3)** på vardera sidan om **bottenplåten (2)**.

Objekt som inte får smörjas (Figur 14)

1. Smörj inte **drev eller drevaxel (6)**. Alla lager och bussningar är smorda för att vara en livstid. Vid förvaring, ta lite 5W-30 olja på en trasa och torka **drev och drevaxel (6)** för att förebygga rost.
2. Om fett kommer i kontakt med **drivskivan (1)** eller **friktionshjulet (3)**, kan **friktionshjulet (3)** skadas. Se till att noga rengöra **drivskivan (1)** och **friktionshjulet (3)**.

WARNING: Nedfettning eller nedoljning av ovanstående komponenter kan orsaka förorening av friktionshjulet (3). Om drivskivan (1) eller friktionshjulet (3) blir förorenat av fett eller olja, kommer friktionen att påverkas negativt.


3. Växelhuset till inmataren smörjs på fabriken och kräver ingen ytterligare smörjning. Om av någon anledning smörjmedel läcker ut ska växelhuset till inmataren kontrolleras av ett av fabriken auktoriserat servicecenter.

Hur man justerar höjden på medarna (Figur 2)

Denna snöslunga är utrustad med två **höjddreglerande medar (7)**. Dessa medar lyfter fronten på snöslungan. Vid normalhårda underlag, såsom en belagd uppfart eller trottoar, justeras medarna enligt följande.

1. Ställ snöslungan på ett plant underlag.
2. Se till att båda däcken är lika fyllda. Rätt lufttryck är 14 till 17 PSI (1 till 1,25 BAR). Överskrid inte det maximala lufttryck som står angivet på sidan av däck.
3. Lägg de extra brytbultarna (som finns i reservdelspåsen) under vardera ände av skrapan (15) intill de justerbara medarna (7).
4. Lossa **upphängningsmuttrarna (16)** som håller fast de **justerbara medarna (7)**. För att sänka fronten på snöslungan, höj båda medarna (7). Dra åt **upphängningsmuttrarna (16)**.

NOTERA: På steniga eller ojämna underlag kan fronten höjas genom att sänka ner medarna (7).

 **WARNING: Försäkra Er om att alltid ha god markfrigång på området som ska röjas. Om föremål som grus, stenar eller annat skräp fastnat i utkastaren kan de slungas iväg med en sån kraft att risk för personskada, skada på egendom eller skada på snöslungan föreligger.**

Hur man ställer in skrapan (Figur 2)

Efter flitigt användande blir **skrapan (15)** utsliten. **Skrapan (15)** och medarna måste justeras så att de tillsammans ger en frigång mellan **skrapan (15)** och underlaget med 1/8".

1. Sätt snöslungan på ett plant underlag.
2. Se till att båda däcken är lika fyllda. Rätt lufttryck är 14 till 17 PSI (1 till 1,25 BAR). Överskrid inte det maximala lufttryck som står angivet på sidan av däck.
3. Lossa bultarna och muttrarna som fäster **skrapan (15)** på **inmatarhuset (4)**.
4. Justera **skrapan (15)** så att de tillåter en 1/8" frigång mellan **skrapan (15)** och trottoaren eller ytan som ska röjas.
5. Dra åt bultarna och muttrarna. Se till att skrapan är parallell med trottoaren eller ytan som ska röjas.
6. För att öka livslängden på **skrapan (15)**, ta loss och vänd på den.

F-031065L

Hur man kontrollerar och justerar kablarna

Drivhjulskabeln och kabeln till inmatardrevet är fabriksinställda. Under normal användning kan en kabel bli uttänjd och måste kontrolleras och justeras enligt följande.

Hur man kontrollerar kablarna (Figur 15)

1. För att kontrollera rätt inställning, lossa **Z-kopplingen (1)** från **drivspaken (2)**.
2. För **drivspaken (2)** framåt tills **drivspaken (2)** når **plastdetaljen (3)**.
3. Kontrollkabeln är rätt inställd om mitten av **Z-kopplingen (1)** är i **linje (4)** med hålet i **drivspaken (2)** och där inte är något häng i kabeln.

Hur man justerar drivremskablarna

1. Tappa tanken på bränsle. Ställ snöslungan på framkanten av inmatarhuset.



WARNING: Tappa ur bensin utomhus, på säkert avstånd från eld eller flammor.

2. (Figur 15) Lossa **Z-kopplingen (1)** från **drivspaken (2)**.
3. (Figur 16) Dra upp fjäderskyddet för att komma åt **fjäders (5)**. Skjut **kabeln (6)** genom **fjäders (5)** för att komma åt **den fyrkantiga änden (7)** av **kabeln (6)**.
4. Ta tag i den **fyrkantiga änden (7)** med en tång och skruva **låsmuttern (8)** inåt eller utåt tills kabeln inte längre slakar.
5. Dra **kabeln (6)** tillbaka genom **fjäders (5)**.
6. (Figur 15) Koppla **Z-kopplingen (1)** till **drivspaken (2)**.

NOTERA: När drivremmen har justerats eller bytts ut skall kabeln kontrolleras och justeras..

Hur man ställer in drivhjulskabeln

1. Tappa tanken på bränsle. Ställ snöslungan på inmatarhusets framkant.



WARNING: Tappa ur bensinen utomhus, på säkert avstånd från eld eller flammor.

2. (Figur 20) Lossa **bultarna (3)** på varje sida om **bottenplåten (2)**.
3. Ta bort **bottenplåten (2)**.
4. (Figur 15) Lossa **Z-kopplingen (1)** från **drivspaken (2)**.
5. (Figur 25) Drag upp **kabelskyddet (3)** från **kabeljusteringsfästet (4)**.
6. Skjut **friktionskontrollkabelns (5)** nederdel genom **kabeljusteringsfästet (4)** tills **Z-kroken (6)** kan tas bort.
7. Ta bort **Z-kroken (6)** från **kabeljusteringsfästet (4)**. Flytta **Z-kroken (6)** nedåt till nästa justeringshål.
8. Drag **friktionskontrollkabeln (5)** upp genom **kabeljusteringsfästet (4)**.
9. Drag **kabelskyddet (3)** över **kabeljusteringsfästet (4)**.
10. (Figur 15) Montera **Z-kopplingen (1)** på **drivspaken (2)**.

11. (Figur 14) För att kontrollera justeringen, tryck ner **drivspaken** och mät **längden "A"** på **drivfjäders (7)**. Vid korrekt justering är **måttet "A"** på **drivfjäders (7)**: minimum 76 mm och maximum 85 mm.

12. (Figur 20) Installera **bottenplåten (2)**.

13. Drag åt **bultarna (3)** på varje sida om **bottenplåten (2)**.

Hur man justerar remmarna

Remmarna töjs ut under normal användning. Om remmarna måste justeras som följd av nötning eller uttänjning, gör enligt följande.

Hur man justerar drivremmen till inmataren

Om snöslungan inte kastar ut snön, kontrollera inställningen på kabeln till inmataren. Se "Hur man kontrollerar och justerar kablarna" i avsnittet Underhåll. Om inställningen är korrekt, kontrollera skicket på drivremmen till inmatarskraven. Om drivremmen är skadad, byt ut inmatardrivremmen. Se "Hur man byter remmarna" i avsnittet Underhåll. Om drivremmen till inmataren är lös, justera enligt följande.

1. Lossa **tändstiftskabeln**.
2. (Figur 17) Ta loss **skruven (2)** från **remskyddet (1)**. Ta loss **remskyddet (1)**.
3. (Figur 18) Lossa **muttern (2)** till **brytrullen (3)**. Flytta **brytrullen (3)** 1/8" mot **inmatardrivremmen (4)**.
4. Dra åt **muttern (2)**.
5. (Figur 19) Tryck ner spaken till inmatardrevet. Kontrollera spänningen på **inmatardrivremmen (4)**. Om den är rätt justerad ger den vika 1/2" (5) under lagom tryck. Gör om justeringen om inställningen inte blivit rätt.
6. (Figur 17) Sätt tillbaka **remskyddet (1)**. Dra åt **skruven (2)**.
7. Kontrollera justeringen av inmatarkabeln. Se "Hur man kontrollerar och justerar inmatarkabeln" i avsnittet Underhåll.
8. Koppla på **tändstiftskabeln**.

Drivhjulremmen

Drivhjulremmen har ett konstant fjädertryck och behöver inte justeras. Om drivhjulremmen slirar, byt ut remmen. Se "Hur man byter ut remmarna" i avsnittet Underhåll.

Hur man byter ut remmarna

Drivremmarna är specialkonstruerade och måste bytas mot originaltillverkade reservremmar som finns hos närmaste auktoriserade servicecenter.

Vissa steg kräver hjälp av ytterligare en person.

Hur man tar loss drivremmen till inmataren

Om inmatardrivremmen är skadad kan snöslungan inte kasta ut snö. Byt ut remmen enligt följande.

1. Koppla loss **tändstiftskabeln**.
2. (Figur 20) Lossa **bultarna (3)** på varje sida om **bottenplåten (2)**.
3. Ta bort **bottenplåten (2)**.
4. (Figur 17) Lossa **skruven (2)** från **remskyddet (1)**. Ta bort **remskyddet (1)**.

- (Figur 18) Lossa **remguiden (9)**. Dra **remguiden (9)** bort från **inmatardrevblocket (10)**.
- Dra **brytrullen (3)** bort från **inmatardrivremmen (4)**.
- Ta loss den gamla **inmatardrivremmen (4)** från **inmatarblosshjul (10)** och från **motorblocket (11)**. Byt ut **inmatardrivremmen (4)** med en originaltillverkad reservdelsrem från ett auktoriserat servicecenter.
- Sätt dit den nya **inmatardrivremmen (4)** på **inmatarblosshjul (10)** och på **blocket (11)**.
- Justera **inmatardrivremmen (4)**. Se "Hur man justerar drivremmen till inmataren" i avsnittet Underhåll.
- Justera **remguiden (9)**. Se "Hur man justerar remguiden" i avsnittet Underhåll.
- (Figur 17) Sätt tillbaka **remskyddet (1)**. Dra åt **skruven (2)**.
- Kontrollera justeringen av kablarna. Se "Hur man kontrollerar och justerar kablarna" i avsnittet Underhåll.
- Sätt tillbaka tändstiftskabeln.

Hur man tar loss drivhjulremmen

Om snöslungan inte vill röra sig framåt, kontrollera om drivhjulremmen är utsliten eller skadad. Om drivhjulremmen är utsliten eller skadad byt ut den enligt följande.

- Ta bort tändstiftskabeln.
- Ta loss inmatardrivremmen. Se "Hur man tar loss drivremmen till inmataren" i avsnittet Underhåll.
- (Figur 18) Ta bort **e-ringen (17)** från den ena änden av **svängplåtens axel (18)**. Ta bort **svängplåtens axel (18)** för att möjliggöra för svängplåten att vinklas framåt.
- Ta bort **drivfjädern (16)**.
- Ta bort den gamla **drivhjulremmen (13)** från **drivhjulblocket (14)** och bort från **motorblocket (15)**. Byt ut drivhjulremmen mot originaltillverkad **reservdelsrem (13)** från ett auktoriserat servicecenter.
- Sätt dit den nya **drivhjulremmen (13)** på **drivhjulblocket (14)** och på **motorblocket (15)**.
- Se till att **drivhjulblockhjul (12)** verkligen är i linje med **drivhjulremmen (13)**.
- Fäst **drivfjädern (16)**.
- Montera **svängplåtens axel (18)** och fäst den med **e-ringen (17)** som avlägsnades tidigare.
- (Figur 28) **svängplåtens (20)** botten måste placeras mellan **injusteringspunkter (19)**. Kontrollera att **svängplåten (20)** är ordentligt fastsatt.

NOTERA: Om drivningen inte fungerar efter drivremmen har bytts ut, kontrollera att **svängplåten är placerad mellan injusteringspunkterna (19)**.

- (Figur 18) Sätt dit och justera **inmatardrivremmen (4)**. Se "Hur man tar loss drivremmen till inmataren" i avsnittet Underhåll.
- Justera **remguiden (9)**. Se "Hur man justerar remguiden" i avsnittet Underhåll.
- (Figur 20) Installera **bottenplåten (2)**.
- Drag åt **bultarna (3)** på varje sida om **bottenplåten (2)**.

F-031065L

- (Figur 17) Sätt tillbaka **remskyddet (1)**. Dra åt **skruven (2)**.
- Kontrollera justeringen av kablarna. Se "Hur man kontrollerar och justerar kablarna" i avsnittet Underhåll.
- Sätt tillbaka tändstiftskabeln.

Hur man justerar remguiden

- Ta loss tändstiftskabeln.
- (Figur 17) Ta loss **skruven (2)**. Ta bort **remskyddet (1)**.
 - (Figur 2) Lägg i spaken till **inmataren (5)**.
 - (Figur 21) Mät avståndet mellan **remguiden (2)** och **inmatardrivremmen (3)**. **Rätt avstånd (4)** är 3,175 mm (1/8").
- Om en justering behövs, lossa **bultarna till remguiden (2)**. Ändra **remguiden (2)** till **rätt läge (4)**. Dra åt **bultarna till remguiden (2)**.
- (Figur 17) Sätt tillbaka **remskyddet (1)**. Dra åt **skruven (2)**.
- Sätt tillbaka tändstiftskabeln.

Hur man justerar eller byter ut friktionshjulet

Hur Man Kontrollerar Friktionshjulet

Om snöslungan inte vill rör sig framåt, kontrollera drivhjulremmen, drivhjulskabeln eller friktionshjulet. Om friktionshjulet är slitet eller skadat måste det bytas ut. Se "Hur man byter ut friktionshjulet" i det här avsnittet. Om friktionshjulet inte är slitet eller skadat, kontrollera enligt följande.

- (Figur 2) Tappa ur bränslen ur bränsletanken. Ställ upp snöslungan på framkanten av **inmatarhuset (4)**.



WARNING: Tappa ur bensin utomhus, på säkert avstånd från eld eller flammor.

- Ta loss tändstiftskabeln.
- (Figur 20) Ta bort **bultarna (1)** på vardera sida om **bottenplåten (2)**.
- Lossa **bultarna (3)** på vardera sida om **bottenplåten (2)**.
- Ta bort **bottenplåten (2)**.
- (Figur 2) För **växelväljaren (6)** till lägsta växeln.
- (Figur 22) Notera **friktionshjulets (4)** läge. Korrekt avstånd "A" från **friktionshjulets (4)** högra sida till utsidan av motorhöljet är:

Hjulstorlek	Avstånd "A"
12 och 13 tum	10,5 cm.
16 tum	10,95cm.

 Justera enligt följande om **friktionshjulet (4)** inte är i korrekt läge.

Hur man justerar friktionshjulet

- (Figur 8) Lossa **muttern (9)** på staget till **hastighetsreglaget (2)**.
- Ta bort **bultarna (8)** för att koppla loss **kulled (6)** från **växeloket (7)**. För att göra staget till **hastighetsreglaget (2)** längre eller kortare, vrid **adaptorn (10)** för att få uppnå rätt position på friktionshjulet.
- Montera **kulled (6)** på **växeloket (7)** med **bultarna (8)**.

- Dra åt **muttern (9)** på staget till **hastighetsreglaget (2)**.
- Se till att spaken till **hastighetsreglaget (1)** fungerar ordentligt. För spaken för **hastighetsreglaget (1)** genom alla växlarna.
- (Figur 20) Sätt tillbaka **bottenplåten (2)**.
- Dra åt **bultarna (3)** på vardera sidan om **bottenplåten (2)**.
- Sätt tillbaka **bultarna (1)** på vardera sidan om **bottenplåten (2)**.

Hur man byter ut friktionshjulet

Om friktionshjulet är slitet eller skadat kommer snöslungan inte röra sig framåt. Friktionshjulet måste bytas ut enligt följande.

- (Figur 2) Tappa ur bränslet ur bränsletanken. Ställ upp snöslungan på framkanten av **inmatarhuset (4)**.



WARNING: Tappa ur bensin utomhus, på säkert avstånd från eld eller flammor.

- Lossa tändstiftskabeln.
- (Figur 26) Ta bort fästelementen som håller fast **höger hjul (10)**. Ta bort **höger hjul (10)** från **axeln (11)**.
- Lossa **bultarna (3)** på varje sida om **bottenplåten (2)**.
- Ta bort **bottenplåten (2)**.
- (Figur 27) Ta bort de fästelement som håller fast **drivhjulet (12)** vid **axeln (11)**.
- Ta bort vänster hjul, **axel (11)**, och **drivhjul (12)**.
- (Figur 28) Ta bort de fyra **bultarna (16)** som håller **lagren (7)** på varje sida av **sexkantsaxeln (8)**.
- (Figur 29) Ta bort **sexkantsaxeln (8)** och **lagren (7)**.
NOTERA: Lagg särskilt märke till brickornas (17) placering .
- (Figur 24) Ta bort de tre fästelementen (4) som håller **friktionshjulet (5)** vid **navet (6)**.
- (Figur 24) Ta bort **friktionshjulet (5)** från **navet (6)**. Drag av **friktionshjulet (5)** från **sexkantsaxeln (8)**.
- Montera det nya **friktionshjulet (5)** på **navet (6)** med de fästelement som togs bort tidigare.
- (Figur 29) Montera **sexkantsaxeln (8)** och **lagren (7)** med de fyra **bultarna (16)** som togs bort tidigare.
Kontrollera att brickorna (17) är monterade på sin ursprungliga plats. Se också till att de två brickorna (13) är korrekt inpassade mot drivarmarna (14).
- Kontrollera att **sexkantsaxeln (8)** rör sig fritt.
- (Figur 27) Montera vänster hjul, **axel (11)**, och **drivhjul (12)** med de fästelement som togs bort tidigare. Montera **kedjan (15)** på **drivhjulet (12)**.
- Kontrollera friktionshjulets inställning. Se "Hur man justerar friktionshjulet" i detta kapitel.
- Kontrollera att friktionshjul och drivskiva är fria från fett och olja.
- (Figur 20) Sätt tillbaka **bottenplåten (2)**.
- Dra åt **bultarna (3)** på vardera sida om **bottenplåten (2)**.
- Installera det **högra hjulet (10)** på **axeln (11)** med de fästelement som tidigare togs bort.

21. Sätt tillbaka tändningskabeln.

Hur man byter brytbult till inmataren

Inmatarna är säkrade mot inmatarstängningen med speciella brytbultar. Dessa brytbultar är konstruerade att brytas av, och därmed skydda maskinen, om ett föremål fastnar i inmatarhuset. Använd inte en hårdare bult, då går säkerheten som brytbulten ger, förlorad.



WARNING: För säkerheten och för att skydda maskinen, använd endast originaltillverkade brytbultar.

För att byta en brytbult, gör enligt följande. Extra brytbultar finns i reservdelpåsen som medföljer.

- (Figur 2) Lägga gasreglaget (13) i stopp-läge. Koppla ur alla kontroller.
- Ta loss tändstiftskabeln. Se till att alla rörliga delar har stannat.
- (Figur 13) Smörj Zerk-kopplingen (1), om sådan finnes, på inmatarstängningen med en fettspruta.
- (Figur 23) Passa in hålet i borret med axelns hål. Montera en ny brytbult (2), bricka (3), och låsmutter (4).
- Koppla tändstiftskabeln.

Hur man förbereder snöslungan för förvaring



WARNING: Ta inte ur bensin inomhus, i närheten av eld eller medan Ni röker. Bensinångor kan orsaka explosion eller eldsvåda.

- Töm bränsletanken.

- Låt motorn gå tills bensinen är slut.
- Tappa oljan från den varma motorn. Fyll motorvevhuset med ny olja.
- Ta loss tändstiftet från cylindern. Håll i en ounce olja i cylindern. Dra sakta i starthandtaget så att oljan skyddar cylindern. Sätt i ett nytt tändstift i cylindern.
- Rengör snöslungan noga.
- Smörj alla smörjställen. Se avsnittet Underhåll.
- Se till att alla muttrar, bultar och skruvar är ordentligt fastdragna. Inspektera alla synliga rörliga delar, efter skador och nötning. Byt ut om nödvändigt.
- Täck oskyddade metalldelar av matarhuset, inmatarskruven och utkastaren med rostförebyggande smörjsprejmedel.
- Ställ enheten i en byggnad med god ventilation.
- Om maskinen måste förvaras utomhus, se till att hela maskinen pallas upp så att den inte står direkt på marken.
- Täck över snöslungan med ett passande skyddsöverdrag som inte håller kvar fukt. Använd inte plast.

Hur man beställer reservdelar

Reservdelarna visas antingen på sidorna längst bak i den här instruktionsboken eller i en separat bok med reservdelslistor.

Använd endast reservdelar auktoriserade eller godkända av tillverkaren. Bokstaven i slutet av reservdelsnumret visar i vilket utförande delen är, C betyder krom, Z-zink, och PA innebär att delen är köpt monterad. Det är viktigt att Ni har

med detta när Ni beställer en reservdel. Använd inte tillbehör eller extrautrustning som inte speciellt rekommenderats till denna enhet. För att få rätt reservdelar måste Ni lämna modellnummer (se namnbricka).

Reservdelar finns där produkten köptes, med undantag för motor, transmission, genomgående axel och differential, i serviceställe rekommenderat av inköpsbutiken eller från en Murray Inc. Central Reservdelsdistributör som finns på en lista på sidorna längst bak i den här Instruktionsboken.

Om Ni inte har möjlighet att få tag på delar enligt ovan, kontakta:

HAYTER LIMITED,
Service Department,
Spellbrook,
Bishop's Stortford,
Hertfordshire. CM23 4BU.

MURRAY, INC.
International Sales
P.O. Box 268
Brentwood, Tennessee USA 37024
1-800-251-8007

Fax (615) 373-6633 Samtal där mottagaren betalar accepteras inte. Reservdelar för motor, genomgående axel, eller transmission finns hos tillverkarens auktoriserade servicecenter, som finns att slå upp i Gula Sidorna. För att beställa reservdelar, se även respektive garanti för motor och transmission.

Vid beställning behövs följande information:

- (1) Modellnummer
- (2) Serienummer
- (3) Reservdelsnummer
- (4) Kvantitet/Antal

FELSÖKNINGSSCHEMA

PROBLEM	ORSAK	ATGÄRD
Problem att starta	Defekt tändstift.	Byt tändstift.
	Vatten eller smuts i bränslesystemet.	Använd en carburetor bowl drain för att spola ur och fylla på med nytt bränsle.
Motorn går ojämnt	Blockerad bränsleväg, tom bränsletank eller dålig bensin.	Rensa bränslevägen; kontrollera bränslenivån; fyll på fräsch bensin.
Motorn överstegrar	Enheten chokad.	Sätt chokespaken i RUN-läge.
Motorn går ojämnt; Effektförluster	Vatten eller smuts i bränslesystemet.	Använd carburetor bowl drain to spola ur och fyll sedan på med nytt bränsle.
Kraftiga vibrationer	Lösa delar: skadad inmatningskruv.	Stanna genast motorn och koppla loss tändstiftskabeln. Skruva åt alla bultar och gör nödvändiga reparationer. Om vibrationerna fortsätter; lämna in enheten till en godkänd reparatör för service.
Enheten klarar inte att driva sig framåt	Drivremmen är slapp/lös eller skadad.	Sätt dit ny drivrem.
	Felaktig inställning av drivhjulskabeln.	Justera drivhjulskabeln.
	Slitet eller skadat friktionshjul.	Byt friktionshjul.
Enheten klarar inte att kasta ut snö	Drivrem till inmatarskruven lös eller skadad.	Justera drivremmen till inmatarskruven. Byt om den är skadad.
	Kontrollkabeln till inmatarskruven inte rätt justerad.	Justera kontrollkabeln till inmatarskruven.
	Brytbult är av.	Sätt i ny brytbult.
	Utkaströr igenproppat.	Stanna genast motorn och koppla loss tändstiftskabeln. Rensa utkaströret och inuti höljet till inmatningskruven.
	Främmande föremål fastnat i inmataren.	Stanna genast motorn och koppla loss tändstiftskabeln. Ta bort föremål från inmataren.

SISÄLTÖ

TUOTETIEDOT	75
OMISTAJAN TIEDOT	75
KANSAINVÄLINEN KUVAMATERIAALI	76
KOKOONPANO	78
KÄYTTÖ	78
HUOLTO	81
HUOLTOTAULUKKO	81
ONGELMANRATKAISUKAAVIO	84

KAHDEN VUODEN RAJOITETTU TAKUU

Murray, Inc. vakuuttaa tämän laitteen alkuperäiselle ostajalle, ettei tässä ole materiaalivikoja ja takaa sen virheettömän toiminnan **kahden (2) vuoden** ajaksi ostopäivästä lukien. Tämä takuu ei kuitenkaan ulotu moottoreihin, lisävarusteisiin (kuten sähkökäynnistysmoottoreihin) ja normaalin kuluman osiin (paitsi kuten alla mainitaan). Näitä edellä mainittuja osia valmistavat erilliset yhtiöt, joilla on omat takuunsa ja jotka tarjoavat huoltoapua vaiuttamiensa yhtiöiden kautta. Lisätietoja saat kyseisten osien omista vakuutustiedoista. Jos et ole varma, kuuluuko yksi tai useampia näistä osista sinun laitteeseesi, kysy asiasta kauppiailta ennen

tuotteen ostamista. Tässä takuutodistuksessa mainittujen ehtojen mukaisesti me korvaamme osat tai maksamme niiden vaihtamisen valintamme mukaan takuuajana. Alkuperäiselle ostajalle ei aiheudu tästä ylimääräisiä kustannuksia. Tässä yhteydessä normaalin kuluman osiksi määritellään kuljetinhihnat, ruuviosat, saksinaulat, renkaat ja etuvalot. Näiden osien vakuutetaan olevan virheettömiä tuotteen toimitusajankohtana. Näitä osia koskevat vaihto- tai korjauspyynnöt on tehtävä 30 päivän kuluessa ostopäivämäärästä. Materiaalien käytöstä tai väärinkäytöstä aiheutuneita vahinkoja ei korvata. Tämä Murray, Inc. -yhtymän **kahden (2) vuoden rajoitettu takuu** on ainoa tuotteelle myönnettävä takuu. Takuu kuitenkin mitätöityy niiden laitteiden kohdalla, joita on muuteltu, viritelty, käytetty väärin tai vuokrattu eteenpäin ammattitarkoituksessa (ei kodinomistaja). Takuu ei kata vähäisiä mekaanisia säätötoimenpiteitä, joihin ei ole synnyn materiaalin tai valmistusmenettelyn viallisuus. Katso tällaisissa tapauksissa ohjekirjan tietoja. Korvausvaade tämän Murray, Inc. -yhtymän **kahden (2) vuoden rajoitetun takuun** aikana suoritetaan palauttamalla koko laite tai (ennalta sovitulla tavalla) viallinen osa lähimpään valtuutettuun huoltopisteeseen ostotodistuksen kanssa. Lähimmän huoltopisteen löydät

soittamalla keskustarvikevälittäjälle, jonka numeron löydät laitteen mukana tulevasta kirjallisesta materiaalista tai paikkakuntasi keltaisilta sivuilta. Mikäli palautat koko laitteen, me korjaamme sen. Jos me taas valtuutamme viallisen osan palauttamisen, me joko korvaamme tai korjaamme kyseisen osan. Tämä Murray Inc. -yhtymän **kahden (2) vuoden rajoitettu takuu** takaa sinulle määritetyt lailliset oikeudet, minkä lisäksi sinulla saattaa olla myös muita maakohtaisia oikeuksia. **Tämä rajallinen takuu annetaan kaikkien muiden suorien ja epäsuorien takuiden asemesta, mukaan lukien tuotteen kuranttiutta tai tiettyyn käyttötarkoitukseen kelpaavuutta koskeva takuu.** Lisätietoja tästä kirjallisesta takuutodistuksesta tai huollon hankkimisesta saat kirjoittamalla osoitteeseen:

HAYTER LIMITED,
Service Department,
Spellbrook,
Bishop's Stortford,
Hertfordshire. CM23 4BU.

MURRAY, INC.
International Sales
P.O. Box 268
Brentwood, Tennessee USA 37024
1-800-251-8007
Fax (615) 373-6633

TUOTETIEDOT

Tuotteen haltijan on oltava varma, että kaikki tuotteen tiedot ovat laitteen mukana. Nämä tiedot käsittävät OHJEKIRJAT, VARAOSAT ja TAKUUTODISTUKSET. Laki vaatii, että nämä tiedot toimitetaan laitteen mukana.

OMISTAJAN TIEDOT

Tämä ohjekirja on tarkoitettu mekaniikkaa jonkin verran tunteville henkilöille. Kuten useimmissa huolto-oppaissa, kaikkia vaiheita ei aina kuvailta. Jokainen mekaniikkaa tunteva henkilö osaa kiristää kiristimet tai löysätä ne. Lue käyttöohje ennen laitteen käyttämistä ja noudata kaikkia ohjeita.

Tunne tuotteesi: Jos ymmärrät laitteen toimintatavan, osaat käyttää sitä tehokkaimmalla mahdollisella tavalla. Lukiessasi tätä kirjaa, vertaa piirroksia laitteeseen. Opettele ohjainten toiminta ja sijainti. Noudata käyttöohjeita ja turvaohjeita onnettomuuksien välttämiseksi. Säilytä tämä ohjekirja myöhempää käyttöä varten.

TÄRKEÄÄ: Monia laitteita ei ole koottu valmiiksi, ja ne myydään pakkauksissa. Omistajan velvollisuus on varmistaa, että tämän ohjekirjan kokoamisohjeita noudatetaan tarkasti. Toiset laitteet myydään valmiiksi koottuina. Näissä laitteissa omistajan velvollisuus on varmistaa, että ne on koottu oikein. Omistajan on tarkastettava laite huolellisesti tämän ohjekirjan ohjeiden mukaisesti ennen laitteen käyttöönottoa.



VAROITUS: Tämä symboli kertoo tärkeistä turvavaroituksesta. Se toimii varoituksena ja ilmaisee mahdollisen vaaran

Omistajan velvollisuus

Omistajan velvollisuus on noudattaa alla olevia ohjeita.

1. Lue ja noudata huolellisesti turvaohjeita.
2. Noudata kaikkia kokoamis- ja valmisteluohjeita.

3. Tarkista laite.
4. Varmista, että laitteen käyttäjä osaa käyttää kaikkia vakio- ja lisäosia.
5. Käytä laitetta vain kaikkien tukien, kilpien ja muiden suojalaitteiden ollessa paikoillaan ja toimintakunnossa.
6. Säädä laite oikein.
7. Huolla laitetta vain valtuutetuilla ja hyväksytyillä varaosilla.
8. Suorita kaikki laitteen huoltotoimenpiteet.

Ympäristötietoja

- Älä täytä laitteen polttoainesäiliötä aivan täyteen.
- Tyhjennä polttoaine ennen yksikön pitkäaikaista varastoimista.
- Käytä vain lyijytöntä bensiiniä.
- Huolla ilmanpuhdistin säännöllisesti.
- Vaihda öljy säännöllisesti. Käytä 5W-30 öljyä.
- Säädä moottori säännöllisesti.
- Pidä laitteisto toimintakuntoisena.
- Hävitä käytetty moottoriöljy oikein.

MODEL NO.: 629108x61D

SKU No.:

YYYY MM DD: _____

SERIAL NO.:

3750 min-1

108 kg



Manufactured in Lawrenceburg, TN 38464, U.S.A.

Ilmoitetut värinätasot ovat direktiivin 98/37/EY mukaisia.

Värinätaaso standardin EN 1033; 1996 mukaan: **28,4 m/s²**.

Arvot mitattu työntöaisan tasolla koneen käydessä paikallaan betonipinnalla nopeudella 3750 r/min.

Ilmoitettu melutaso (L_{WA} 111 dB) on direktiivin 2000/14/EY, Liite V mukainen.

Äänenpainetaso käyttäjän paikalla **96 dB**.

Arvot mitattu korvan tasolla direktiivin EN ISO 11201 mukaisesti.

KANSAINVÄLINEN KUVAMATERIAALI

TÄRKEÄÄ: Seuraavat kuvaukset löytyvät laitteesta tai sen mukana tulevista käyttöohjeista. Opettele niiden merkitykset ennen laitteen käyttöönottoa.

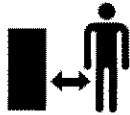
Varoitussymbolit

37



VAARA

Lentäviä osia.
Pidä ihmiset etäällä.



VAARA

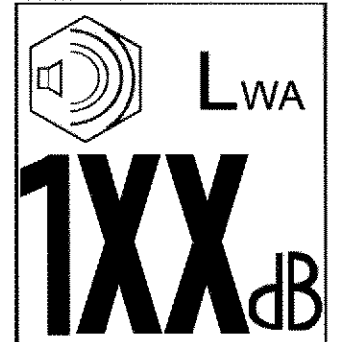
Lentäviä osia.
Pidä ihmiset etäällä.



VAROITUS



TÄRKEÄÄ
Lue ohjekirja ennen
tämän laitteen
käyttämistä.



Ilmoitettu äänen tehotaso
111 dB(A) on direktiivin
2000/14/EY mukainen.

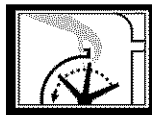


VAARA

Kuuma pinta



SEIS



VAARA

Pysäytä moottori
ennen
poistoaukon
tyhjentämistä!



VAARA

Vältä poran aiheuttamia
vammoja. Pidä kädet,
jalat ja vaatteet etäällä.

OHJAUS- JA KÄYTTÖSYMBOLIT



Hidas



Nopea



Sähkökäynnistys



Moottorin käynnistys



Moottori käynnissä



Moottori pois



Moottorin pysäytys



Päällä



Rikastin pois



Rikastin päällä



Vapaa



Eteen



Taakse



Kaasukytkin



Alustuspainike



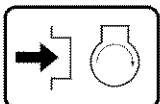
Virta-avain



Sytytys pois



Sytytys päällä



Käynnistä
sähkökäynnistys
painamalla tätä



Kytke päälle



Ruuvikuljettimen kytin



Ruuvikuljetin



Poisto ALAS



Poisto YLÖS



Poisto VASEMMALLE



Poisto OIKEALLE



Ajokytin



Polttoaine



Öljy



Polttoaineen ja öljyn seos



Painonsiirto

Kytke päälle nostamalla
kädensijaa

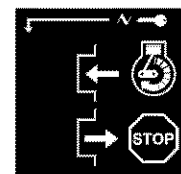


Painonsiirto

Kytke pois päältä painamalla
poljin alas



Vaihteisto



Virta-avain Käynnistys työntämällä
sisään, pysäyttämisen vetämällä ulo.

Lumilingon turvallisen käytön ohjeet

TÄRKEÄÄ: Loukkaantumisriskien minimoimiseksi turvallisuusstandardit edellyttävät toimintoja, joissa käyttäjän läsnäolo on pakollinen. Tässä lumilingossa on edellä mainitut toiminnot. Älä yritä ohittaa ohjaajan läsnäolon edellyttäviä toimintoja missään olosuhteissa.

Harjoittelu

1. Lue käyttö- ja huolto-ohjeet huolellisesti. Opettele ohjaustoiminnot ja laitteiston käyttö huolellisesti. Opettele laitteen pysäyttäminen ja ohjainten nopea kytkeminen pois päältä.
2. Älä koskaan anna lasten käyttää laitteistoa. Älä anna aikuisten käyttää laitteistoa ilman oikeaa opastusta.
3. Pidä käyttöalue tyhjänä kaikista henkilöistä, ennen kaikkea pienistä lapsista ja lemmikkieläimistä.
4. Toimi varovasti välttääksesi liukumista tai kaatumista, etenkin käytettäessä laitetta takaperin.

Valmistelu

1. Tarkista huolellisesti laitteiden käyttöalue ja poista tarvittaessa kaikki ovimatot, kelkat, laudat, johdot ja muut ylimääräiset esineet.
2. Kytke kaikki kytkimet pois päältä ennen moottorin käynnistämistä.
3. Älä käytä laitetta ilman tarvittavia talvivarusteita. Käytä jalkineita, jotka ehkäisevät liukastumista liukkailla alustoilla.
4. Käsittele polttoainetta varoen, se on erittäin tulenarkaa.
 - a. Käytä standardien mukaista polttoainesäiliötä.
 - b. Älä koskaan poista polttoainesäiliön korkkia tai lisää polttoainetta käynnissä olevaan tai kuumaan moottoriin.
 - c. Täytä polttoainesäiliö ulkoilmassa hyvin varovasti. Älä koskaan täytä polttoainesäiliötä sisätiloissa.
 - d. Kiinnitä polttoainesäiliön korkki tiukasti ja pyyhi läikkynyt polttoaine.
 - e. Älä koskaan sijoita polttoainetta tai polttoainetta sisältävää lumilinkoa rakennukseen, jossa kaasut voivat tulla kosketuksiin avotulen tai kipinöiden kanssa.
 - f. Tarkista polttoainesäiliö ennen jokaista käyttökertaa. Jätä tilaa laajenemiselle, koska moottorin ja/tai auringon kuumuus saattaa laajentaa polttoainetta.
5. Käytä CSA/UL-standardin mukaisia sähköisiä käynnistyskaapeleita kaikissa yksiköissä, joissa on sähkökäynnistys. Käytä ainoastaan paikallisten viranomaisten hyväksymän säiliön kanssa.

6. Säädä lumilingon korkeutta puhaltaaksesi soraa tai kivimurskaa.
7. Älä koskaan yritä suorittaa säätötoimenpiteitä moottorin ollessa käynnissä (paitsi valmistajan erityissuosituksella).
8. Anna moottorin ja lumilingon sopeutua ulkoilman lämpötiloihin ennen lumen linnoamista.
9. Pidä aina suojalaseja tai silmikkoo käytön, säätötoimenpiteiden tai korjaustöiden aikana. Näin estät mahdollisia lumilingon lennättämiä hiukkasia ja osia joutumasta silmiin.

Käyttö

1. Älä käytä laitetta ollessasi lääkityksen alaisena, jos lääkitys saattaa aiheuttaa väsymystä tai muuten haitata laitteen käyttämistä.
2. Älä käytä laitetta, jos olet henkisesti tai fyysisesti kykenemätön käyttämään sitä turvallisesti.
3. Älä laita käsiäsi tai jalkojasi pyörivien osien lähelle tai alle.
4. Ole hyvin varovainen aina käyttäessäsi laitetta soralla tai ylittäessäsi sorateitä, jalkakäytäviä tai autoteitä. Varo yllättäviä vaaratilanteita ja liikennettä.
5. Kun osut vieraaseen esineeseen, pysäytä moottori, poista johto sytytystulpasta, tarkista lumilinko huolellisesti mahdollisten vahinkojen varalta ja korjaa vahingot ennen lumilingon käynnistämistä uudelleen.
6. Mikäli laite alkaa tärinästä epänormaalisti, pysäytä moottori ja tarkista tärinän syy välittömästi. Tärinä on yleensä osoitus viasta.
7. Pysäytä moottori aina poistuessa käyttötillasta, ennen poran/siipipyörän kuoren tai poistoaukon puhdistamista ja aina suorittaessasi korjaus-, säätö- ja tarkistustoimenpiteitä.
8. Kun puhdistat, korjaat tai tarkistat laitetta, varmista, että pora/siipipyörä ja muut liikkuvat osat ovat kokonaan pysähtyneet ja kaikki ohjaimet kytkettyneet pois päältä. Irrota sytytystulpan johto ja pidä johto erossa sytytystulpasta estääksesi tahattoman käynnistyksen.
9. Noudata kaikkia mahdollisia varotoimia, kun jätät lumilingon vartioimatta. Kytke pora/siipipyörä ja moottori pois päältä ja irrota avain.
10. Älä pidä moottoria käynnissä sisätiloissa, paitsi käynnistäessäsi sen ja kuljettaessasi lumilingon ulos tai sisään. Avaa ulko-ovet. Pakokaasut ovat vaarallisia terveydelle (ne sisältävät HÄKÄÄ, joka on HAJUTON ja HENGENVAARALLINEN kaasua).

11. Älä raivaa lunta mäkiä vasten. Ole hyvin varovainen muuttaessasi suuntaa mäessä. Älä yritä raivata jyrkkiä mäkiä ja kumpuja.
12. Älä koskaan käytä lumilinkoa ilman, että tarvittavat suojat, tuet ja kilvet ovat paikoillaan.
13. Älä koskaan käytä lumilinkoa aitausten, autojen, ikkunoiden, pudotusten ja vastaavien lähellä ilman lumilingon oikeaa säätämistä. Pidä lapset ja lemmikit etäällä.
14. Älä ylikuormita lumilinkoa yrittämällä raivata lunta liian nopeasti.
15. Älä koskaan käytä konetta suurissa kuljetusnopeuksissa tai liukkailla pinnoilla. Katso taaksesi ja ole varovainen peruuttaessasi.
16. Älä koskaan kohdista poistojetettä ihmisiin tai päästä ketään laitteen etupuolelle.
17. Kytke virta pois porasta/siipipyörästä, kun lumilinkoa kuljetetaan tai se on poissa käytöstä.
18. Käytä vain lumilingon valmistajan hyväksymiä lisä- ja varaosia (rengasketjut, sähkökäynnistysvälineet jne.).
19. Älä koskaan käytä lumilinkoa, jos näkyvyys on puutteellinen tai valoa on liian vähän. Varmista aina, että alusta on turvallinen ja pidä tiukasti kiinni kädensijoista. Kävele, älä juokse.
20. Älä kurkota. Pidä jalat kiinni maassa ja säilytä tasapainosi.
21. Ole hyvin varovainen työskennellessäsi voimakkaasti kaitevilla alustoilla.
22. Tämä lumilinko on tarkoitettu käytettäväksi jalkakäytävillä, ajoteillä ja muilla maan tason pinnoilla.
23. Älä käytä lumilinkoa maan pinnan yläpuolella olevilla tasoilla, kuten talojen, autotalliin tai kuistien katoilla tai vastaavilla rakennusten korkeilla tasoilla.

Huolto ja säilytys

1. Tarkista saksipultit ja muut pultit säännöllisin väliajoin. Varmista, että ne ovat tiukassa työturvallisuuden takaamiseksi.
2. Älä koskaan sijoita lumilinkoa, jonka säiliössä on polttoainetta, paikkaan, jossa on mahdollisia sytytysläheteitä kuten veden- ja ilmanlämmittimiä, vaatteiden kuivaajia ja vastaavia. Anna moottorin jäähtyä ennen laitteen varastoimista.
3. Katso aina tärkeät tiedot käyttöohjeista, jos lumilinko aiotaan varastoida pitkäksi aikaa.
4. Säilytä tai korvaa huolto-ohjeiden etiketit tarpeen mukaan.
5. Pidä lumilinko käynnissä muutaman minuutin ajan ennen lumen raivaamista. Näin estät poran/siipipyörän jäähtymisen.

KOKOONPANO

Lue ja nouda lumilingon kokoamista ja säätöä koskevia ohjeita. Kaikki kiristimet ovat osapussissa. Älä heitä mitään osia pois ennen kuin laite on koottu.



VAROITUS: Irrota johto sytytystulasta ennen lumilingon kokoamista tai huoltoa.

HUOMAA: Tässä ohjekirjassa oikea ja vasen kuvaavat osan sijaintia käyttäjän näkökulmasta laitteen takaa.

HUOMAA: Vääntömomentti mitataan jalka- nauolina tai metrijärjestelmässä newtonmetreinä (Nm). Tämä lukema ilmoittaa mutterin tai pultin vaaditun tiukkuuden. Vääntömomentti mitataan momenttiavaimella.

HUOMAA: Piirroksot alkavat sivulta 2.

HUOMAA: Kiinnikkeet ja irto-osat näkyvät täydessä koossa kuvassa 30.

Vaaditut työkalut

- | | |
|---|--------------------------|
| 1 | Veitsi |
| 1 | Pihdit |
| 2 | 1/2 tuuman kiintoavain |
| 2 | 9/16 tuuman kiintoavain |
| 2 | 3/4 tuuman kiintoavain |
| 1 | Mittanauha tai viivoitin |
| 1 | Ruuvimeisseli |

Lumilingon poistaminen pakkauksesta

- (Kuva 1)** Lumilinko pakkauksessaan.
- Katkaise ja hävitä käynnistyskammen ja nopeuden ohjaussauvan muovisiteet
- Leikkaa kaikki pakkauksen neljä kulmaa auki ja taittele sivut maata vasten.
- Poista kaikki erikseen pakatut osat pakkauksesta.
- Irrota ja hävitä lumilingon ympärillä oleva pakkausmateriaali.
- (Kuva 2)** Korkeudensäätökiskot (7) on kiinnitetty kuljetusta varten kuormalavaan. Irrota ruuvit (17), jotka pitävät korkeudensäätökiskoja (7) kiinni kuormalavassa
- Pidä kiinni alemmasta kahvasta ja vedä lumilinko ulos pakkauksesta.

VAROITUS: Älä peruuta vaijerien yli.

- Irrota pakkausmateriaali kahvan ympäriltä.
- Katkaise kytkinohjausvaijerien (1) ja alemman kahvan (2) siteet. Siirrä vaijerit erilleen moottorikehyksestä.

Kahvan ja kampikokoonpanon kokoaminen

- (Kuva 3)** Löysää alemman kahvan ylempien aukkojen kiristimet (1), mutta älä irrota niitä.
- Irrota kiinnikkeet ja kampikokoonpanon rengaspultti (11) alemman kädensijan alareilistä.
- (Kuva 2)** Aseta vaihtovipu (6) ensimmäiseen eteen-kohtaan.

F-031065L

- (Kuva 3)** Nosta ylempi kahva (2) toiminta-asentoon.
HUOMAA: Varmista, että vaijerit eivät jää ylemmän ja alemman kahvan väliin.
- Asenna kiinnikkeet ja kampikokoonpanon rengaspultti (11), jotka poistettiin vaiheessa 2. ÄLÄ kiristä ennen kuin kaikki kiinnikkeet ovat paikoillaan.
- (Kuva 5)** Kiinnitä kampiakseli (15) kardaani kokoonpanoon (16) sokalla (12).
- (Kuva 3)** Kiristä rengaspultin (11) mutteri. Varmista, että rengaspultti (11) on oikeassa asennossa ja kampi (18) voi pyöriä vapaasti.
- Kiristä kaikki kädensijojen kiristimet.

Nopeudenohjaustangon asennus

- (Kuva 8)** Kiinnitä nopeudenohjaustangon (2) alapäässä oleva pallonivel (6) haarukkaan (7). Kiinnittimet (8) on kiinnitetty pallonivele (6) tehtaalla.
Pallonivelen (6) ja nopeudenohjaustangon (2) pituudet on säädetty valmiiksi tehtaalla. Jos säätö on tarpeen, löysää mutteria (9). Irrota kiinnittimet (8) irrottaaksesi pallonivelen (6) haarukasta (7). Nopeudenohjaustankoa (2) voidaan pidentää tai lyhentää sopivan mittaiseksi kääntämällä välikappalletta (10).
- (Kuva 4)** Kiinnitä kahva (11) nopeudenvälintavipuun (5). Joissakin malleissa kahva (11) on kiinni. Lukitse se tiukasti paikoilleen kiristämällä kuusiomutteri (10) kahvan (11) pohjaa vasten.
- Varmista, että nopeudenvälintavipu (5) toimii oikein. Liikuta nopeudenvälintavipua (5) kaikkien nopeuksien lävitse.

Poistoaukon suuntauslevyn kokoaminen

- (Kuva 6)** Irrota kantopultti (1).
- Nosta suuntauslevy (2) toiminta-asentoon (3).
- Kiristä suuntauslevy (2) laippaan (4) kantopultilla (1). Varmista asentaessasi, että kantopulttien (1) päät tulevat laipan (2) sisäpuolelle.
- Kiristä aluslevyllä (5) ja lukkomutterilla (6).
- Kiristä lukkomutteri (6) hyvin.

HUOMAA: Varmista, että kaikki laipan kantopultit ovat tiukassa. ÄLÄ KIRISTÄ LIIKAA.

Vaijerien tarkastaminen

- (Kuva 7)** Tarkista vetokäyttövaijerie (1) ja ruuviosan vaijeri (2). Jos vaijerien alaosat ovat irronneet, asenna vaijerit takaisin..
- (Kuva 9)** Jos vaijerien (5) yläosat ovat irronneet vaijerivivusta (6), kiinnitä vaijerit (5) "Z"-liittimeen (7).

Liukukiskojen korkeuden säätäminen (Kuva 2)

Lumilingossa on korkeudeltaan säädettävät liukukiskot (7). Ne on asennettu ruuviosan kotelon (4) ulkopuolelle. Lisätietoa liukukiskojen

korkeuden säätämisestä saat huolto-osuuden kohdasta "Liukukiskojen korkeuden säätäminen".

Vaijerien pituuden säätäminen

Vaijerit on säädetty tehtaalla eikä niiden säätäminen ole yleensä tarpeen. Sen jälkeen kun kädensijat on laitettu käyttöasentoon, kaapelit voivat kuitenkin olla liian kireällä tai löysällä. Jos säätäminen on tarpeen, katso ohjeita Huolto ja säädöt -osan kohdasta "Vaijerien tarkastaminen ja säätäminen".

Kinosleikkurin kokoaminen (jos kuuluu varusteisiin)

Kinosleikkureita käytetään leikkaamaan polku, jos lumikerros on paksumpi kuin ruuviosan kotelon.

- (Kuva 10)** Poista kiristimet (2), jotka kiinnittävät kinosleikkurit (1) ruuviosan koteloon.
- Nosta kinosleikkurit (1) halutulle korkeudelle.
- Kiristä kiinnittimet (2).

Moottorin valmistelu

HUOMAA: Moottori on toimitettu tehtaalta täytettynä öljyllä. Tarkista öljyn määrä. Lisää tarvittaessa.



VAROITUS: Nouda moottorinvalmistajan öljy- ja bensiinityyppiä koskevia ohjeita. Älä tupakoi lisätessasi bensiiniä moottoriin. Älä lisää bensiiniä ollessasi sisätiloissa. Pysäytä moottori ja anna sen jäähtyä muutama minuutti ennen polttoaineen lisäämistä.

Lue valmistajan polttoainetta ja öljyä koskevat ohjeet. Lue myös turvallisuutta, käyttöä, huoltoa ja säilytystä koskevat ohjeet ennen laitteen käyttöönottoa.

Tärkeää! Ennen käytön aloittamista:

- Tarkasta kiinnittimet. Varmista, että kaikki kiinnittimet ovat kireällä.
- Sähkökäynnistimellä varustetut mallit on toimitettu käynnistimen johto moottoriin kytkettynä. Irrota käynnistimen johto moottorista ennen käyttöä.

KÄYTTÖ

Huomaa: Kuvat alkavat sivulla 2.

Tunne lumilinkosi (Kuva 2)

Lue tämä ohjekirja ja turvallisuussäännöt ennen lumilingon käyttöönottoa. Vertaa kuvia lumilinkoon ja opettele eri ohjainten ja säätöjen sijainnit.

Vetokäyttövipu (1) – Valitsee kulkusuunnan (eteen tai taakse).

Kampikokoonpano (2) – Muuttaa poistoaukon suuntaa.

Poistoaukko (3) – Muuttaa poistettavan lumen lentämää matkaa.

Ruuviosan käyttövipu (5) – Käynnistää ja pysäyttää ruuviosan ja siipipyörän (keskeyttää keräyksen ja linkouksen).

Nopeudenvaihtokytkin (6) – Valitsee lumilingon toimintanopeuden.

Säädettävän korkeuden liukukisko (7) – Säättää ruuviosan kuoren etäisyyden maanpintaan.

Virta-avain (8) – Virta-avain on työnnettävä sisään, jotta moottori käynnistyy.

Sytytyspainike (9) – Syöttää polttoainetta suoraan kaasuttimeen, kun laite käynnistetään kylmällä ilmalla.

Sähkökäynnistyspainike (10) – Käynnistää moottorin malleissa, joissa on sähkökäynnistin.

Muuntaja (11) – Tätä käytetään sähkökäynnistinmalleissa 220 voltin sähköjohdon kiinnittämiseen.

Rekyilykäynnistyskytkin (12) – Koneen manuaaliseen käynnistykseen.

Kaasukytkin (13) – Ohjaa moottorin nopeutta.

Rikastin (14) – Käynnistää kylmän moottorin.

Kinosleikkurit (18) – (jos varusteina) Leikkaavat polun, jos lumikerros on paksumpi kuin ruuviosan kuori.

Saksipultit (19) – Erityiset saksipultit on suunniteltu suojelemaan ruuviosan kuorta. Ne katkovat kaikki ruuviosan kuoreen juuttuneet esineet ja osat. Kovemman pultin käyttäminen tuhoaa saksipultin tarjoaman suojauksen.

Poistettavan lumen ohjaaminen



VAROITUS: Älä koskaan kohdistaa poistojetettä ihmisiin.



VAROITUS: Pysäytä aina moottori ennen poistoaukon tai ruuviosan kuoren puhdistamista ja kun poistut lumilingon luota.

1. (Kuva 2) Käännä kampea (2) muuttaaksesi poistolumen suuntaa.
2. (Kuva 11) Löysää poistoaukon suuntauslevyssä (2) olevaa siipinuppia (1).
3. Siirrä poistoaukon suuntauslevyä (2) ylös, jolloin lumi ohjautuu kauemmaksi, tai alas, jolloin lumi ohjautuu lähemmäksi.
4. Kiristä siipinuppi (1).

Lumilingon pysäyttäminen (Kuva 2)

1. Pysäytä lumenpoisto vapauttamalla ruuviosan käyttövipu (5).
2. Pysäytä pyörät vapauttamalla vetokäyttövipu (1).
3. Pysäytä moottori työntämällä kaasuvipu (13) off-asentoon ja irrottamalla virta-avain (8).

Liikkuminen eteen- tai taaksepäin (Kuva 2)

1. Muuta kulkunopeutta vapauttamalla ensin vetokäyttövipu (1) ja siirtämällä nopeudenvaihtovipu (6) halutun nopeuden kohdalle.
2. Kulkunopeus määrittyy lumiolosuhteiden mukaan. Valitse nopeus siirtämällä nopeudenvaihtovipu (6) halutun pykälän kohdalle.
Nopeus 1, 2 Märkä, raskas lumi
Nopeus 3 Kevyt lumi

F-031065L

Nopeus 4 Erittäin kevyt lumi

Nopeus 5, 6 Vain kuljetus

3. Liiku eteenpäin kytkemällä vetokäyttövipu (1) päälle. Pidä tiukasti kiinni kahvasta, kun lumilinko alkaa liikkua eteenpäin. Ohjaa lumilinkoa liikuttamalla kahvaa vasemmalle tai oikealle. Älä yritä työntää lumilinkoa.
4. Taaksepäin pääset vapauttamalla vetokäyttövipun (1).
5. Siirrä nopeudenvaihtovipu (6) 1. tai 2. peruutusvaihteelle.
6. Kytke vetokäyttövipu (1) päälle.

Tärkeää: Älä liikuta nopeudenvaihtovipua (6) vetokäyttövipun (1) ollessa päällä.

Lumen linkoaminen (Kuva 2)

1. Kytke ruuviosan käyttövipu (5) päälle.
2. Lopeta lumen linkoaminen vapauttamalla ruuviosan käyttövipu (5).



VAROITUS: Lumilinko saattaa lennättää materiaalia, joka voi olla vaaraksi silmille. Suosittelemme suojamaskin tai suojalasien käyttöä aina, kun lumilinkoa käytetään.

Pyörien lukitustapin käyttäminen (Kuva 12)

1. Vasemman puolen pyörä on kiinni akselissa lukitustapilla (1). Laite kuljetettiin lukitustapin (1) ollessa työnnettynä pyörän reian lävitse lukitusasennossa (2).
2. Voit helpottaa toimintaa kevyissä lumiolosuhteissa vaihtamalla lukitustapin (1) auki-asentoon (3).
3. Irrota lukitustappi (1) pyörän lukitusasennosta (2). Työnnä korkeuden (1) ainoastaan auki olevan akselin reian läpi. Laitteessa on nyt vain yksi vetävä pyörä (3).

Ennen moottorin käynnistämistä

1. Ennen kuin huollat konetta tai käynnistät sen, tutustu lumilinkoosi huolella. Varmista, että ymmärrät täydellisesti kaikkien ohjainten toiminnot ja sijainnit.
2. Tarkista kytkinvaijerin kireys ennen moottorin käynnistämistä. Lisätietoja on tämän ohjekirjan kohdassa "Kytkevaijerin säätäminen".
3. Varmista, että kaikki kiristimet ovat kireällä.
4. Varmista, että kaikkien säädettävien liukukiskojen korkeudet on säädetty oikein. Lisätietoja on tämän ohjekirjan kohdassa "Liukukiskojen korkeuden säätäminen".
5. Tarkasta renkaiden ilmanpaine. Oikea ilmanpaine on 1–1,25 bar (14–17 psi). Älä ylitä renkaan kylkeen merkittyä suurinta sallittua ilmanpainetta.

Moottorin pysäyttäminen (Kuva 2)

Pysäytä moottori siirtämällä kaasuvipu (3) stop-asentoon ja irrota virta-avain. Säilytä virta-avain (8) turvallisessa paikassa. Moottori ei käynnisty ilman virta-avainta (8).

Moottorin käynnistäminen (Kuva 2)

Mallit, joissa on sähköinen käynnistys

HUOMAA: Sähkökäynnistinpaketti voidaan lisätä käynnistysnarulla varustettuihin moottoreihin. Sähkökäynnistinpaketteja on saatavilla lähimmästä valtuutetusta huoltopisteestä.



VAROITUS: Käynnistimessä on kolmiosainen virtajohto ja se on suunniteltu toimimaan 220 voltin jännitteellä. Johdon on oltava aina oikein maadoitettu sähköiskujen välttämiseksi. Noudata tarkasti kaikkia "Moottorin käynnistämisen" –osan ohjeita. Varmista, että kotisi sähköjärjestelmä tukee maadoitettuja kolmejohtimisia johtoja. Jos et ole varma, tiedustele asiaa valtuutetulta sähköasentajalta. Jos kotisi sähköjärjestelmä ei tue kolmejohtimisia johtoja, älä käytä tätä sähkökäynnistintä missään olosuhteissa. Jos järjestelmäsi on maadoitettu, mutta maadoitettua kolmijohdinpistorasiaa ei ole käytettävissä, anna valtuutetun asentaa sellainen. Liitä aina ensin 220 voltin virtajohto moottorin kytkinrasiaan (11), liitä toinen pää pistorasiaan. Kun irrotat virtajohdon, irrota aina pistorasiassa oleva pää ensin.

Kylmän moottorin käynnistäminen (Kuva 2)

1. Tarkista moottoriöljy.
2. Täytä polttoainesäiliö tavallisella lyijyttömällä bensiinillä. Katso kohtaa "Moottorin valmistelu".
3. Varmista, että vetokäyttövipu (1) ja ruuviosan käyttövipu (5) on kytketty pois päältä (vapautettu).
4. Siirrä kaasuvipu (13) nopeaan asentoon.
5. Työnnä virta-avain (8) virta-aukkoon ja varmista, että se napsahtaa paikalleen. Älä käännä virta-avainta (8). Irrota ylimääräinen virta-avain ja säilytä se turvallisessa paikassa.
6. Siirrä rikastinkytkin (14) täysi-asentoon.
7. (Sähköinen käynnistys) Liitä virtajohto moottorissa olevaan kytkinrasiaan (11).
8. (Sähköinen käynnistys) (Sähköinen käynnistys) Liitä virtajohdon toinen pää 220 V:n maadoitettuun pistorasiaan. (Katso tämän osan VAROITUS-kohtaa).
9. Paina ryppypumpun painiketta (9). Aina kun painat ryppypumpun painiketta, odota kaksi sekuntia. Lisätietoja ryppypumpun painikkeen (9) tarvittavista painamiskerroista on moottorinvalmistajan ohjeissa.
10. (Sähköinen käynnistys) Paina sähkökäynnistyspainiketta (10), kunnes moottori käynnistyy. Älä pidä sitä pohjassa yli 10 sekuntia kerrallaan. Sähkökäynnistin on lämpösuojelettu. Jos sähkökäynnistin ylikuumentuu, se pysähtyy automaattisesti ja voidaan käynnistää uudelleen vasta sen jäähtyttyä turvalliseseen lämpötilaan. Sähkökäynnistimen jäähtyminen kestää noin 5 – 10 minuuttia.
11. (Käynnistysnaru) Vedä nopeasti käynnistysnarun kahvaa (12). Älä anna käynnistysnarun kahvan (12) napsahtaa takaisin. Palauta käynnistysnarun kahva (12) paikoilleen hitaasti).
12. Jos moottori ei käynnisty viidellä tai kuudella yrittämällä, katso lisätietoja kohdasta "Ongelmanratkaisu".
13. (Sähköinen käynnistys) Kun moottori käynnistyy, vapauta sähkökäynnistyspainike (10) ja siirrä rikastin (14) 1/2-asentoon. Kun moottori käy tasaisesti, käännä rikastin (14) pois päältä.

14. (**Sähköinen käynnistys**) Irrota ensin virtajohto pistorasiasta. Irrota sitten **virtajohto kytkinrasiasta (11)**.

HUOMAA: Jos lämpötila on alle -18°C (0°F), anna moottorin lämmitä muutaman minuutin ajan ennen lumen linkoamista.

15. Kun linkoat lunta, pidä **kaasuvipu (13)** aina nopea-asennossa moottorin ollessa päällä.



VAROITUS: Älä koskaan käytä moottoria sisätiloissa tai huonosti ilmastoiduissa tiloissa. Moottorin pakokaasu sisältää hääkää, joka on hajuton ja hengenvaarallista kaasua. Pidä kädet, jalat, hiukset ja vaatteet etäällä moottorin ja lumilingon pyörivistä osista. Äänenvaimentimen ja sen ympärillä olevien osien lämpötila saattaa ylittää 66°C (150°F). Vältä näitä kohtia.

Lämpimän moottorin käynnistäminen (Kuva 2)

Jos moottori on ollut käynnissä ja on edelleen lämmin, **jätä rikastin (14)** pois päältä, äläkä paina **ryppypumpun painiketta (9)**. Jos moottori ei käynnisty, lue ohjeet kohdasta "Kylmän moottorin käynnistäminen".

HUOMAA: Älä käytä ryppypumpun painiketta(9) lämpimän moottorin käynnistämisesä.

Moottorin käynnistäminen kylmällä sähkökäynnistimellä (Kuva 2)

Jos sähkökäynnistys on jäänyt, eikä moottori käynnisty, noudata alla olevia ohjeita.

1. Vedä **käynnistysnarun kahva (12)** ulos niin pitkälle kuin mahdollista.

2. Vapauta **käynnistysnarun kahva (12)** nopeasti. Anna sen napsahtaa takaisin käynnistintä vasten.

Jos moottori ei vielä käynnisty, toista aiemmat kaksi vaihetta, kunnes moottori käynnistyy. Jatka sitten noudattamalla "Kylmän moottorin käynnistäminen" –kohdan ohjeita.

Mahdollisen käynnistimen ja moottoriohjainten jäätyminen voidaan estää suorittamalla seuraavat toimenpiteet aina lumen raivaamisen jälkeen.

1. Kun moottori on käynnissä, vedä nopeasti **käynnistysnarun kahvaa (12)** kolme tai neljä kertaa jatkuvalla koko käsivarren liikkeellä. Tämä saa aikaan kolinaäänen, joka ei ole haitallinen moottorille tai käynnistimelle.
2. Pysäytä moottori. Pyyhi kaikki lumi ja kosteus kaasuttimen kannesta, ohjausvivuista ja vaijereista. Liikuta myös **kaasuvipua (13)**, **rikastinta (14)** ja **käynnistysnarun kahvaa (12)** useita kertoja.

Lumen tai roskien poistaminen ruuviosan kotelosta (Kuva 2)



VAROITUS: Älä koskaan yritä poistaa ruuviosan kuoreen juuttunutta lunta tai roskaa noudattamatta ensin seuraavia varotoimenpiteitä.

1. Vapauta ruuviosan **käyttövipu (5)**.
2. Siirrä **kaasuvipu (13)** stop-asentoon.
3. Irrota (älä käännä) **virta-avain (8)**.
4. Irrota sytytystulpan johto.
5. Älä laita käsiäsi **ruuviosan koteloon (4)** tai **poistoaukkoon (3)**. Käytä sorkkarautaa tai vastaavaa lumen tai roskien irrottamiseen.

Lumenlinkousvinkkejä

1. Suurin mahdollinen lumenlinkoustehokkuus saavutetaan muuttamalla kulkunopeutta. ÄLÄ KOSKAAN muuta moottorin nopeutta. Moottori on suunniteltu toimimaan mahdollisimman tehokkaasti täydellä voimakkuudella. Se on aina pidettävä nopea-asennossa. Vähennä nopeutta syvässä, jäätyneessä tai märässä lumessa. Laske nopeutta myös, jos pyörät alkavat luistaa.
2. Lumenlinkoaminen on tehokkainta lingottaessa vastasatanutta lunta.
3. Lumi on helpoin poistaa tehokkaimmin kulkeamalla hieman jokaisen aikaisemman polun ylitse.
4. Poista lumi tuulen myötäisesti aina, kun tämä on mahdollista.
5. Aseta normaalikäytössä liukukiskot niin, että kaavintanko on 0,3 cm liukukiskojen yläpuolella. Jos lumi on erittäin tiivistä, säädä liukukiskoja niin, että kaavintanko osuu maahan.
6. On varottava, ettei laite poimi maasta kiviä ja soraa ja linkoa niitä. Säädä liukukiskot sorapinnalla 3,2 cm kaavintangon alapuolelle. Katso huolto-osion kohtaa "Liukukiskojen korkeuden säätäminen".
7. Anna moottorin olla tyhjäkäynnillä muutaman minuutin ajan jokaisen työkerran jälkeen. Lumi ja jääkerrostumat sulavat pois moottorista.
8. Puhdista lumilinko jokaisen käyttökerran jälkeen.
9. Poista jää, lumi ja pirstaleet koko lumilingosta. Poista suola ja muut kemikaalit huuhtelemalla lumilinko puhtaalla vedellä. Pyyhi lumilinko kuivaksi.

HUOLTOTAULUKKO

ASIAKKAAN VELVOLLISUUDET

HUOLTOMERKINNÄT Kirjaa päivämäärät määräaikaishuollon yhteydessä.	Ennen jokaista käyttöä	Ensimmäiset 2 tuntia	5 tunnin välein	10 tunnin välein	25 tunnin välein	Joka talvi	Ennen varastoimista	HUOLTOPÄIVÄMÄÄRÄT
Tarkasta moottorin öljytaso	√		√			√		
Vaihda moottoriöljy					√	√		
Tarkasta ja kiristä kaikki ruuvit ja mutterit	√					√		
Tarkasta ja kiristä kaikki ruuvit ja mutterit					√	√		
Säädä kuljetinhihna		√			√	√		
Tarkasta polttoaine	√							
Tyhjennä polttoainesäiliö							√	
Tarkasta ruuviosan kytkimen vaijerin säätö (katso Vaijerin säätö)		√				√		
Tarkasta vetokytkimen vaijerin säätö (katso Vaijerin säätö)		√				√		
Voitele kaikki saranakohdat				√			√	
Voitele ruuviosan akseli (katso Murtopultin vaihtaminen)				√			√	
Voitele käyttöketjut ja hammaspyörät				√			√	

HUOLTO

HUOMAA: Piirroksat alkavat sivulta 2.

Käytä seuraavaa huolto-osiota pitääksesi laitteesi hyvässä toimintakunnossa. Kaikki tarvittavat moottoria koskevat huolto-ohjeet ovat moottorinvalmistajan ohjekirjassa. Lue moottorin käyttöohje ennen moottorin käynnistämistä.



VAROITUS: Ennen kuin suoritat mitään tarkistuksia, korjauksia tai säätöjä (paitsi kaasutin), irrota sytytystulpan johto.

Yleisiä suosituksia

Tämän lumilingon takuu ei kata vahinkoja, jotka ovat aiheutuneet käyttäjän virheistä. Takuusta saadaan täysi korvaus ainoastaan käyttäjän noudattaessa tässä ohjekirjassa olevia ohjeita. Joitakin säätöjä on suoritettava säännöllisin väliajoin lumilingon pitämiseksi käyttökunnossa.

Jokaisen käytön jälkeen

- Tarkasta, onko osia kadonnut tai löystynyt.
- Kiristä kaikki löystyneet kiristimet.
- Tarkasta ja huolla ruuviosa tarvittaessa.
- Tarkasta, että kaikki ohjauslaitteet toimivat moitteettomasti.
- Vaihda kuluneet ja vahingoittuneet osat välittömästi.

F-031065L

Kaikki **Huolto-osiassa** luetellut säädöt on tarkistettava vähintään kerran kaudessa (talvessa).

Vaadittaessa

Seuraava säätötoimenpide on suoritettava useammin kuin kerran talvessa.

1. Säädä ruuviosan käyttöhihna ensimmäisen 2 – 4 tunnin jälkeen ja sitten uudelleen talven puolivälissä. Säädä hihna sen jälkeen aina kaksi kertaa talvessa. Katso huolto-osion kohtaa "Ruuviosan käyttöhihnan säätäminen".

Voitelu

Aina 10 tunnin välein (Kuva 13)

1. Voitele kaikki **Zerk-nipat (1)** 10 tunnin välein voiteluruiskulla.
2. Ruuviosan akseli on voideltava joka kerta, kun murtopultti vaihdetaan.
3. Voitele kaikki saranakohdat.

Aina 25 tunnin välein

Poistoaukon kääntökoneisto

(Kuva 5) Voitele poistoaukon kääntökoneisto (1) autoissa käytettävällä öljyllä.

Ketjut

1. (Kuva 2) Siirrä **nopeudenvaihtovipu (6)** ykkösvaihteelle.
2. Poista bensiini polttoainesäiliöstä. Nosta lumilinko ylös **ruuviosan kotelon (4)** etuosa edellä.



VAROITUS: Tyhjennä polttoaine ulkoilmassa. Älä tyhjennä polttoainesäiliötä avotulen läheisyydessä.

3. (Kuva 20) Löystä **pultit (3) alapaneelin (2)** kummaltakin puolelta.
 4. Irrota **alapaneeli (2)**.
 5. (Kuva 14) Voitele **ketjut (5)** ketjuvoiteluaineella.
 6. Pyyhi **kuusioakseli ja ketjupyörä (6)** 5W30-tyyppin moottoriöljyllä.
- HUOMAA: Jos rasva tai öljy pääsee kosketuksiin käyttölevyn (1) tai kitkapyörän (3) kanssa, ne voivat vahingoittaa. Puhdista öljy tai rasva alkoholipohjaisella liuottimella.**
7. (Kuva 20) Asenna **alapaneeli (2)**.
 8. Kiristä **pultit (3) alapaneelin (2)** molemmilta puolilta.

Kohdat, joita ei saa voidella (Kuva 14)

1. Älä voitele **kuusiotankoa** äläkä **ketjupyöriä (6)**. Kaikissa laakereissa ja holkeissa on kestovoitelu. Kun laite varastoidaan, kasta kangaspala 5W-30 –moottoriöljyyn ja pyyhi kevyesti **kuusiotanko ja ketjupyörät (6)** ruostumisen estämiseksi.
2. Jos öljyä tai rasvaa joutuu **käyttölevylle (1)** tai **kitkapyörälle (3), kitkapyörä (3)** saattaa vahingoittaa. Muista puhdistaa **käyttölevy (1)** ja **kitkapyörä (3)** huolellisesti.

HUOMIO: Yllämainittujen osien öljyminen tai rasvaaminen saattaa aiheuttaa kitkapyörän (3) vaurioitumisen. Kitkapyörä (3) vahingoittuu, jos rasva tai öljy tulee kosketuksiin käyttölevyn (1) tai kitkapyörän (3) kanssa.

- Ruuviosan vaihdekotelo voidellaan tehtaalla, eikä sitä tarvitse voidella uudelleen. Jos voiteluaine jostain syystä vuotaa ulos, tarkistuta ruuviosan vaihdekotelo valtuutetussa huoltopisteessä.

Liukukiskojen korkeuden säätäminen (Kuva 2)

Tässä lumilingossa on kaksi korkeudeltaan säädettävää liukukiskoa (7). Nämä kiskot nostavat lumilingon etuosaa. Säädä liukukiskot tavallisia, kovia pintoja (jaikkakäytävä, ajotie) varten seuraavasti.

- Aseta lumilinko tasaiselle pinnalle.
- Varmista, että kummassakin renkaassa on saman verran ilmaa. Oikea ilmanpaine on 1–1,25 bar (14–17 psi). Älä ylitä renkaan sivussa ilmoitettua suurinta sallittua ilmanpainetta.
- Aseta osapussista löytyvät ylimääräiset murtopultit kummankin kaavintangon (15) alle liukukiskoja (7) viereen.
- Löysää kiinnitysmutterit (16), jotka pitävät säädettäviä liukukiskoja (7) paikoillaan. Laske lumilingon etuosaa nostamalla säädettäviä liukukiskoja (7). Kiristä kiinnitysmutterit (16).

HUOMAA: Kivisten tai epätasaisten pintojen kohdalla lumilingon etuosaa on nostettava siirtämällä liukukiskoja (7) alaspäin.



VAROITUS: Muista säilyttää aina turvallinen korkeus maasta. Kivet, sora ja muu vastaava roska saattavat siipipyörään joutuessaan singahtaa ulos suurella nopeudella ja aiheuttaa henkilö- tai omaisuusvahinkoja tai vaurioittaa lumilinkoa.

Kaavintangon säätäminen (Kuva 2)

Kaavintanko (15) kuuluu kovassa käytössä. Kaavintanko (15) on säädettävä suhteessa liukukiskoihin niin, että maanpinnan ja kaavintangon (15) väli on vähintään 0,3 cm.

- Aseta lumilinko tasaiselle pinnalle.
- Varmista, että kummassakin renkaassa on saman verran ilmaa. Oikea ilmanpaine on 1–1,25 bar (14–17 psi). Älä ylitä renkaan sivussa ilmoitettua suurinta sallittua ilmanpainetta.
- Löysää kantopultit ja mutterit, jotka pitävät kaavintangon (15) kiinni ruuviosan kotelossa (4).
- Säädä kaavintanko (15) siten, että maanpinnan ja kaavintangon (15) väli on 0,3 cm.
- Kiristä kantopultit ja mutterit. Varmista, että kaavintanko (15) on samansuuntainen maanpinnan kanssa.
- Kaavintangon (15) käyttöikä voidaan pidentää poistamalla se ja asentamalla se toisinpäin.

Vaijerien tarkastaminen ja säätäminen

Vetokäyttövaijeri ja ruuviosan käyttövaijeri on säädetty tehtaalla. Normaalkäytön aikana vaijeri saattaa venyä. Tällöin se on tarkastettava ja säädettävä seuraavasti:

F-031065L

Vaijerien tarkastaminen (Kuva 15)

- Tarkasta oikea asennus irrottamalla ensin "Z"-liitin (1) käyttövivusta (2).
- Liikuta käyttövipua (2) eteenpäin, kunnes se ottaa kiinni muovipuskuriin (3).
- Ohjausvaijeri on säädetty oikein, jos "Z"-liitin (1) on kohdistettu (4) käyttövivun (2) reiän kanssa ja vaijeri on suora.

Ruuviosan käyttöhihnan säätäminen

- Poista bensiini polttoainesäiliöstä. Nosta lumilinko pystyyn ruuviosan kotelon etuosaa vasten.



VAROITUS: Tyhjennä polttoainesäiliö ulkoilmassa. Älä tyhjennä polttoainesäiliötä avotulen läheisyydessä.

- (Kuva 15) Irrota "Z"-liitin (1) käyttövivusta (2).
- (Kuva 16) Vedä jousisuojaus ulos niin, että jousi (5) tulee näkyviin. Työnnä vaijeri (6) jousen (5) lävitse siten, että vaijerin (6) neliöpää (7) tulee näkyviin.
- Pidä neliöpäästä (7) kiinni pihdeillä ja säädä lukkomutteria (8) sisään tai ulos, kunnes löysät on saatu pois.
- Vedä vaijeri (6) takaisin jousen (5) lävitse.
- (Kuva 15) Liitä "Z"-liitin (1) käyttövipuun (2).

HUOMAA: Tarkista ja säädä vaijeri aina, kun ruuviosan käyttöhihna säädetään tai vaihdetaan..

Vetokäyttöhihnan säätäminen

- Tyhjennä poltonnestesäiliö. Aseta lumilinko pystyyn ruuviosan kotelon etupuolelta.



VAROITUS: Tyhjennä polttoainesäiliö ulkona poissa avotulen läheisyydestä.

- (Kuva 20) Löysennä pultit (3) alapaneelin (2) kummaltakin puolelta.
- Poista alapaneeli (2).
- (Kuva 15) Irrota "Z"-sovite (1) vetokäyttövivusta (2).
- (Kuva 25) Liu'uta kaapelikenkä (3) pois kaapelinsäätökiinnikkeestä (4).
- Työnnä vedonohjauskaapelin (5) alaosa kaapelinsäätökiinnikkeen (4) läpi, kunnes "Z"-koukun (6) voi poistaa.
- Poista "Z"-koukku (6) kaapelinsäätökiinnikkeestä (4). Siirrä "Z"-koukku (6) alaspäin seuraavaan säätöreikään.
- Vedä vedonohjauskaapeli (5) ylös kaapelinsäätökiinnikkeen (4) läpi.
- Aseta kaapelikenkä (3) kaapelinsäätökiinnikkeen (4) yli.
- (Kuva 15) Asenna "Z"-sovite (1) vetokäyttövipuun (2).
- (Kuva 14) Tarkista säätö painamalla käyttövipua ja tarkistamalla pituus "A" käyttöjousta (7). Kun säätö on oikea, käyttöjouksen (7) pituus "A" on: vähintään 76 mm enintään 85 mm.
- (Kuva 20) Asenna alapaneeli (2).
- Kiristä pultit (3) alapaneelin (2) kummaltakin puolelta.

Hihnojen säätäminen

Hihnat venyvät normaalkäytössä. Jos hihnat on korvattava kulumisesta tai ylivenyemisestä johtuen, noudata seuraavia ohjeita.

Ruuviosan käyttöhihnan säätäminen

Jos lumilinko ei poista lunta, tarkasta ruuviosan vaijerin säädöt. Katso huolto-osion kohtaa "Vaijerien tarkastaminen ja säätäminen". Jos säädöt ovat oikein, tarkista ruuviosan käyttöhihnan kunto. Katso huolto-osion kohtaa "Hihnojen vaihtaminen". Jos ruuviosan käyttöhihna on löysällä, säädä se seuraavasti:

- Irrota sytytystulpan johto.
- (Kuva 17) Irrota ruuvi (2) hihnansuojuksesta (1). Irrota hihnansuojaus (1).
- (Kuva 18) Löysää ruuvi (2) välihihnapyörästä (3). Siirrä välihihnapyörää (3) 0,3 cm lähemmäs ruuviosan käyttöhihnaa (4).
- Kiristä mutteri (2).
- (Kuva 19) Paina ruuviosan käyttökytkin alas. Tarkasta ruuviosan käyttöhihnan (4) kireys. Jos säädöt ovat oikein, ruuviosan käyttöhihna (4) painuu 1,25 cm sitä kohtalaisesti painettaessa. Jos säätö ei ole oikein, säädä uudelleen.
- (Kuva 17) Asenna hihnansuojaus (1). Kiristä ruuvi (2).
- Tarkasta ruuviosan vaijerin oikea säätö. Katso huolto-osion kohtaa "Vaijerien tarkastaminen ja säätäminen".
- Kiinnitä sytytystulpan johto.

Vetokäyttöhihna

Vetokäyttöhihnassa on jatkuva jousipaine, eikä sitä tarvitse säätää. Jos vetokäyttöhihna luista, vaihda se. Katso huolto-osion kohtaa "Hihnojen vaihtaminen".

Hihnojen vaihtaminen

Käyttöhihnat ovat erikoisvalmisteisia ja ne on korvattava alkuperäisillä tehtaan varaosilla, joita on saatavissa lähimmästä valtuutetusta huoltopisteestä. Jotkut vaiheet edellyttävät toisen henkilön apua.

Ruuviosan käyttöhihnan poistaminen

Jos ruuviosan käyttöhihna on vaurioitunut, lumilinko ei poista lunta. Vaihda vaurioitunut hihna seuraavasti:

- Irrota sytytystulpan johto.
- (Kuva 20) Löysennä pultit (3) alapaneelin (2) kummaltakin puolelta.
- Poista alapaneeli (2).
- (Kuva 17) Irrota ruuvi (2) hihnansuojuksesta (2). Irrota hihnansuojaus (1).
- (Kuva 18) Löysää hihnanohjain (9). Vedä hihnanohjain (9) erilleen ruuviosan hihnapyörästä (10).
- Vedä välihihnapyörä (3) erilleen ruuviosan käyttöhihnasta (4).
- Poista vanha ruuviosan käyttöhihna (4) ruuviosan hihnapyörästä (10) ja moottorin hihnapyörästä (11). Korvaa ruuviosan käyttöhihna (4) alkuperäisellä tehtaan varaosahihnalla.
- Asenna uusi ruuviosan käyttöhihna (4) ruuviosan hihnapyörään (10) ja hihnapyörään (11).
- Säädä ruuviosan käyttöhihna (4). Katso huolto-osion kohtaa "Ruuviosan käyttöhihnan säätäminen".

- Säädä **hihnanohjain (9)**. Katso huolto-osion kohtaa "Hihnanohjaimen säätäminen".
- (Kuva 17)** Asenna **hihnansuojus (1)**. Kiristä **ruuvi (2)**.
- Tarkasta vaijerien säädöt. Katso huolto-osion kohtaa "Vaijerien tarkastaminen ja säätäminen".
- Kiinnitä sytytystulpan johto.

Vetokäyttöihnan poistaminen

Jos lumilinko ei liiku eteenpäin, tarkasta onko vetokäyttöihna kulunut tai vaurioitunut. Jos vetokäyttöihna on kulunut tai vaurioitunut, vaihda se seuraavasti:

- Irrota sytytystulpan johto.
- Irrota ruuviosan käyttöihna. Katso huolto-osion kohtaa "Ruuviosan käyttöihnan poistaminen".
- (Kuva 18)** Irrota **e-rengas (17)** kääntölevyn akselisauvan **(18)** toisesta päästä. Irrota kääntölevyn akselisauva **(18)**, jotta kääntölevy pääsee kääntymään eteenpäin.
- Irrota **vetokäyttöjousi (16)**.
- Irrota vanha **vetokäyttöihna (13)** **vetokäyttötaljasta (14)** ja **moottoritajasta (15)**. Korvaa **vetokäyttöihna (13)** alkuperäisellä tehtaan varaosahihnalla.
- Asenna uusi **vetokäyttöihna (13)** **vetokäyttötaljaan (14)** ja **moottoritajaan (15)**.
- Varmista, että **vetokäyttötalja (12)** on oikeassa linjassa **vetokäyttöihnaan (13)** nähden.
- Kiinnitä **vetokäyttöjousi (16)**.
- Asenna **kääntölevyn akselisauva (18)** ja kiinnitä se aiemmin irrotetulla **e-renkaalla (17)**.
- (Kuva 28)** Kääntölevyn **(20)** alaosa on sijoitettava **kohdistuspalojen (19)** väliin. Varmista, että **kääntölevy (20)** on kiinnitetty oikein paikalleen.

HUOMAUTUS: Jos käyttö ei ota kiinni sen jälkeen kun **vetokäyttöihna on vaihdettu, tarkista että kääntölevy on kohdistuspalojen välissä.**

- (Kuva 18)** Asenna ja säädä **ruuviosan käyttöihna (4)**. Katso huolto-osion kohtaa "Ruuviosan käyttöihnan poistaminen".
- Säädä **hihnanohjain (9)**. Katso huolto-osion kohtaa "Hihnanohjaimen säätäminen".
- (Kuva 20)** Asenna **alapaneeli (2)**.
- Kiristä **pultit (3)** **alapaneelin (2)** kummaltakin puolelta.
- (Kuva 17)** Asenna **hihnansuojus (1)**. Kiristä **ruuvi (2)**.
- Tarkasta vaijerien säädöt. Katso huolto-osion kohtaa "Vaijerien tarkastaminen ja säätäminen".
- Liitä sytytystulpan johto.

Hihnanohjaimen säätäminen

- Irrota sytytystulpan johto.
- (Kuva 17)** Irrota **ruuvi (2)**. Irrota **hihnansuojus (1)**.
- (Kuva 2)** Kytke **ruuviosan käyttövipu (5)** päälle.
- (Kuva 21)** Mittaa **hihnanohjaimen (2)** ja **ruuviosan käyttöihnan (3)** välinen etäisyys. **Oikea etäisyys (4)** on 3,2 mm.

F-031065L

- Jos säätö on tarpeen, löysää **hihnanohjaimen (2)** kiinnityspultti. Siirrä **hihnanohjain (2)** oikeaan asentoon **(4)**. Kiristä **hihnanohjaimen (2)** kiinnityspultti.
- (Kuva 17)** Asenna **hihnansuojus (1)** paikoilleen. Kiristä **ruuvi (2)**.
- Kiinnitä sytytystulpan johto.

Veropyörän säätäminen tai vaihtaminen

Kitkapyörän tarkastaminen

Jos lumilinko ei liiku eteenpäin, tarkasta vetokäyttöihna, vetokäyttövaijeri tai kitkapyörä. Jos kitkapyörä on kulunut tai vahingoittunut, se on vaihdettava. Katso tämän osion kohtaa "Kitkapyörän vaihtaminen". Jos kitkapyörä ei ole kulunut tai vahingoittunut, tarkasta seuraavasti:

- (Kuva 2)** Poista bensiini polttoainesäiliöstä. Nosta lumilinko pystyyn **ruuviosan kotelon (4)** etuosaa vasten.



VAROITUS: Tyhjä polttoainesäiliö ulkoilmassa. Älä tyhjä polttoainesäiliötä avotulen läheisyydessä.

- Irrota sytytystulpan johto.
 - (Kuva 20)** Irrota **pultit (1)** **alapaneelin (2)** molemmilta puolilta.
 - Löysää **pultit (3)** **alapaneelin (2)** molemmilta puolilta.
 - Irrota **alapaneeli (2)**.
 - (Kuva 2)** Siirrä **nopeudenvaihtovipu (6)** pienimmälle eteen-nopeudelle.
 - (Kuva 22)** Kirjoita **kitkapyörän (4)** asento muistiin. Oikea etäisyys "A" **kitkapyörän (4)** oikeasta reunasta moottorikotelon ulkopuoleen on:
- | Renkaan koko | Etäisyys "A" |
|-----------------|--------------|
| 12 ja 13 tuumaa | 10,5 cm |
| 16 tuumaa | 10,95 cm |
- Jos **kitkapyörä (4)** ei ole oikeassa asennossa, säädä seuraavasti:

Kitkapyörän säätäminen

- (Kuva 8)** Löysää **nopeudenojauustangossa (2)** olevaa **mutteria (9)**.
- Irrota **kiinnittimet (8)** irrottaaksesi **pallonivel (6)** **haarukasta (7)**. **Nopeudenojauustankoa (2)** voidaan pidentää tai lyhentää kitkapyörän oikean asennon aikaansaamiseksi kääntämällä **välikkappaletta (10)**.
- Kiinnitä **pallonivel (6)** **haarukkaan (7)** **kiinnittimillä (8)**.
- Kiristä **nopeudenojauustangossa (2)** oleva **mutteri (9)**.
- Varmista, että **nopeudenvaihtovipu (1)** toimii oikein. Liikuta **nopeudenvaihtovipua (1)** kaikkien nopeuksien lävitse.
- (Kuva 20)** Asenna **alapaneeli (2)**.
- Kiristä **pultit (3)** **alapaneelin (2)** molemmilla puolilla.
- Asenna **pultit (1)** **alapaneelin (2)** molemmille puolille.

Kitkapyörän vaihtaminen

Jos kitkapyörä on kulunut tai vahingoittunut, lumilinko ei liiku eteenpäin. Kitkapyörä on vaihdettava seuraavasti:

- (Kuva 2)** Poista bensiini polttoainesäiliöstä. Nosta lumilinko pystyyn **ruuviosan kotelon (4)** etuosaa vasten.



VAROITUS: Tyhjä polttoainesäiliö ulkoilmassa. Älä tyhjä polttoainesäiliötä avotulen läheisyydessä.

- Irrota sytytystulpan johto.
 - (Kuva 26)** Irrota oikean **pyörän (10)** kiinnikkeet. Irrota **oikea pyörä (10)** akselista **(11)**.
 - Löysennä **pultit (3)** **alapaneelin (2)** kummaltakin puolelta.
 - Poista **alapaneeli (2)**.
 - (Kuva 27)** Irrota kiinnikkeet, jotka kiinnittävät **käyttökäyttöpyörän (12)** akseliin **(11)**.
 - Irrota vasen pyörä, **akseli (11)** ja **käyttökäyttöpyörä (12)**.
 - (Kuva 28)** Irrota neljä **pulttia (16)**, jotka pitävät **laakerit (7)** paikoillaan **kuusioakselin (8)** kummallakin puolella.
 - (Kuva 29)** Irrota **kuusioakseli (8)** ja **laakerit (7)**.
- HUOMAUTUS:** Kiinnitä erityistä huomiota aluslevyjen **(17)** sijaintiin.
- (Kuva 24)** Irrota kolme **kiinnikettä (4)**, jotka pitävät **kitkapyörän (5)** kiinni **keskiössä (6)**.
 - (Kuva 24)** Irrota **kitkapyörä (5)** **keskiöstä (6)**. Irrota **kitkapyörä (5)** **kuusioakselista (8)**.
 - Liitä uusi **kitkapyörä (5)** **keskiöön (6)** aiemmin irrotetuilla kiinnikkeillä.
 - (Kuva 29)** Asenna **kuusioakseli (8)** ja **laakerit (7)** neljällä aiemmin irrotetulla pultilla. Varmista, että **aluslevyt (17)** on asennettu oikein alkuperäiseen kohtaan. Varmista myös, että **kaksi aluslevyä (13)** on kohdistettu oikein käyttövarsien **(14)** kanssa.
 - Varmista, että **kuusioakseli (8)** kääntyy vapaasti.
 - (Kuva 27)** Asenna vasen pyörä, **akseli (11)** ja **käyttöihnapyörä (12)** aiemmin irrotetuilla kiinnikkeillä. Asenna **ketju (15)** **käyttöihnapyörälle (12)**.
 - Tarkista kitkapyörän säätö. Katso tästä osasta kitkapyörän säätöohjeet.
 - Varmista, ettei kitkapyörässä ja käyttölevyssä ole rasvaa tai öljyä.
 - (Kuva 20)** Asenna **alapaneeli (2)**.
 - Kiristä **pultit (3)** **alapaneelin (2)** molemmilla puolilla.
 - Asenna oikea **pyörä (10)** **akseliin (11)** aiemmin irrotetuilla kiinnikkeillä.
 - ytystulpan johto.

Ruuviosan murtopultin vaihtaminen

Ruuviosat ovat kiinni ruuviosan kotelossa erityisillä murtopulteilla. Nämä murtopultit on suunniteltu katkeamaan ja suojelemaan laitetta, jos jotakin jumittuu ruuviosan koteloon. Älä käytä kovempaa pulttia, sillä tällöin menetät murtopulttien tarjoaman suojan.



VAROITUS: Käytä ainoastaan alkuperäisiä varaosaksipultteja ihmisten ja laitteen turvallisuuden takaamiseksi.

Ylimääräiset murtopultit löytyvät osapussista. Vaurioitunut murtopultti vaihdetaan seuraavasti:

- (Kuva 2)** Siirrä **kaasuvipu (13)** stop-asentoon. Kytke kaikki ohjaukset pois päältä.
- Irrota sytytystulpan johto. Varmista, että kaikki liikkuvat osat ovat pysähtyneet.
- (Kuva 13)** Voitele ruuviosan kotelon **Zerk-nippa (1)** (jos on) voitelu ruiskulla.
- (Kuva 23)** Kohdista ruuviosassa oleva reikä ruuviosan akselissa olevan reiän kanssa. Asenna uusi **murtopultti (2)**, **aluslevy (3)** ja **lukkomutteri (4)**.

5. Kiinnitä sytytystulpan johto.

Lumilingon valmistelu varastoimista varten



VAROITUS: Älä poista bensiiniä sisätiloissa, avotulen lähetyillä tai tupakoidessasi. Bensiinikaasut saattavat aiheuttaa räjähdyksen tai tulipalon.

1. Tyhjennä polttoainesäiliö.
2. Anna moottorin käydä, kunnes bensiini on loppunutä.
3. Poista öljy lämpimästä moottorista. Täytä moottorin kampikammio uudella öljyllä.
4. Irrota sytytystulppa sylinteristä. Kaada sylinteriin 30 ml öljyä. Vedä hitaasti käynnistysnarun kahvasta, jotta öljy leviää sylinterin suojaksi. Asenna uusi sytytystulppa sylinteriin.
5. Puhdista lumilinko huolellisesti.
6. Voitele kaikki voitelukohtat. Katso huoltoosiota.
7. Varmista, että kaikki mutterit, pultit ja ruuvit on kunnolla kiristetty. Tarkasta kaikki näkyvät osat mahdollisten vahinkojen, vaurioiden ja kulumien varalta. Vaihda tarvittaessa.

8. Peitä kaikki lingon kotelon, ruuviosan ja siipipyörän paljaat metalliosat ruosteenestosuhteella.
9. Sijoita lumilinko hyvin ilmastoituun rakennukseen.
10. Jos lumilinko on pakko varastoida ulos, aseta se siten, että koko laite on irti maasta.
11. Peitä lumilinko asianmukaisella kosteutta pidättämättömällä suojakankaalla tai peitteellä. Älä käytä muoviva.

Varaosien tilaaminen

Varaosat ovat nähtävissä joko tämän ohjekirjan takasivuilla tai erillisessä osaluettelossa. Käytä vain valmistajan hyväksymiä varaosia.

Osan numeron jäljessä oleva kirjain ilmaisee osan pääilysteen, 'C' tarkoittaa kromia, 'Z' sinkkiä ja 'PA' ostettua kokoonpanoa. Muista liittää tämä tieto mukaan osaa tilatessasi. Älä käytä lisälaitteita, joita ei ole erityisesti suunniteltu tätä laitetta varten. Ilmoita nimikyltissä näkyvä mallin numero oikean varaosan saamiseksi.

Varaosia on moottoria, vaihteistoa, kampiakselia ja tasauspyörästä lukuun ottamatta saatavilla liikkeestä, josta laite ostettiin tai kyseisen liikkeen suosituksesta paikasta. Varaosia voi tilata myös "Murray, Inc."-yhtymän varaosakeskuksesta, jonka yhteystiedot löytyvät tämän ohjekir-

jan viimeisiltä sivuilta. Jos et löydä varaosia yllä mainittujen kanavien kautta, ota yhteyttä:

HAYTER LIMITED,
Service Department,
Spellbrook,
Bishop's Stortford,
Hertfordshire. CM23 4BU.

MURRAY, INC.
International Sales
P.O. Box 268
Brentwood, Tennessee USA 37024
1-800-251-8007
Fax (615) 373-6633 Vastapuheluita ei hyväksytä.

Moottorin, kampiakselin, vaihteiston ja tasauspyörästä varaosia voi tilata valmistajan valtuuttamasta varaosapisteestä, jonka yhteystiedot löytyvät paikallisen puhelinluettelon keltaisilta sivuilta. Tietoa varaosien tilaamisesta löytyy myös yksittäisten vaihteiston- tai moottorinosien takuutiedoista.

Osia tilattaessa on ilmoitettava seuraavat tiedot:

- (1) Mallin numero
- (2) Sarjanumero
- (3) Osan numero
- (4) Osien määrä

ONGELMANRATKAISUKAAVIO

ONGELMA	SYY	TOIMENPIDE
Vaikeuksia käynnistyksessä	Sytytystulppa viallinen.	Vaihda sytytystulppa.
	Vettä tai likaa polttoainejärjestelmässä.	Käytä uimurikammion tyhjennystä polttoaineen poistamiseen ja korvaamiseen uudella.
Moottori käy epätasaisesti	Polttoaineletku tukossa, bensiinitankki tyhjä tai polttoaine väljähtänyt.	Puhdista polttoaineletku, tarkista polttoaineensyöttö, vaihda bensiini.
Moottori pysähtyy	Rikastin on päällä.	Aseta rikastin aja-asentoon (run).
Moottori käy epätasaisesti, virtaa menee hukkaan	Vettä tai likaa polttoainejärjestelmässä	Käytä uimurikammion tyhjennystä polttoaineen poistamiseen ja korvaamiseen uudella.
Ylimääräistä tärinää	Osia löysällä; siipipyörä vaurioitunut.	Pysäytä moottori välittömästi ja irrota sytytystulpan johto. Kiristä kaikki pultit ja tee tarvittavat korjaukset. Jos tärinä jatkuu, ota yhteyttä asiantuntevaan korjaajaan.
Laitteen siipipyörä ei toimi	Käyttöhihna löysällä tai vaurioitunut.	Vaihda käyttöhihna.
	Vetokäyttökaapeli asennettu väärin.	Säädä vetokäyttökaapeli.
	Vetopyörä kulunut tai vaurioitunut.	Vaihda vetopyörä.
Laite ei linkoa lunta	Ruuviosan käyttöhihna löysällä tai vaurioitunut.	Säädä ruuviosan käyttöhihna tai korvaa tarvittaessa.
	Ruuviosan kaapeli säädetty väärin.	Säädä ruuviosan kaapeli.
	Saksipultti rikkoutunut.	Vaihda saksipultti.
	Poistoaukko tukkiutunut.	Pysäytä moottori välittömästi ja irrota sytytystulpan johto. Puhdista poistoaukko ja ruuviosan kuoren sisäpuoli.
	Vieras esine tai osa jumiutunut ruuviosan kuoreen.	Pysäytä moottori välittömästi ja irrota sytytystulpan johto. Poista tukos ruuviosan kuoresta.

CONTENIDO

INFORMACION DEL PRODUCTO	86
INFORMACION PARA EL PROPIETARIO	86
DIAGRAMAS INTERNACIONALES	87
ENSAMBLAJE	89
OPERACIÓN	90
MANTENIMIENTO	92
TABLA DE LOCALIZACIÓN Y REPARACIÓN DE AVERÍAS	96

MURRAY, INC.

GARANTÍA LIMITADA DE DOS AÑOS

Murray, Inc. le garantiza al comprador original que esta unidad estará libre de defectos en el material y en la mano de obra bajo uso y servicio normales durante el período de Dos (2) Años a partir de la fecha de compra. Sin embargo, esta garantía no cubre motores, accesorios (por ejemplo, aparatos de arranque eléctrico) ni Partes de desgaste normal (con excepción a las indicadas abajo), puesto que los fabricantes de estos componentes proveen sus propias garantías y ofrecen servicio por medio de sus centros de servicio autorizados. Para obtener más información sobre estas partes en particular, consulte las garantías correspondientes. Si no sabe si su unidad contiene o está equipada con una o más de estas partes, consulte con su vendedor antes de realizar la compra. De acuerdo con los términos y condiciones especificados en esta Garantía Limitada, repararemos o reemplazaremos, a nuestro criterio, cualquier parte cubierta bajo esta Garantía Limitada durante su vigencia, sin costo alguno al comprador original.

Las Partes de desgaste normal son correas de transmisión, barrenos rotatorios, pasadores de seguridad, llantas y faros delanteros. Se garantiza que estas partes estarán libres de defectos en el material y en la mano de obra cuando se entreguen con el producto. Cualquier reclamo con respecto a la reparación o sustitución de alguna Parte de desgaste normal, debe ser efectuado dentro del período de treinta (30) días a partir de la fecha de compra. No se considerará ningún reclamo debido al uso negligente, maltrato o abuso del material. Esta Garantía Limitada Murray, Inc. de Dos (2) Años es su remedio exclusivo. Sin embargo, esta garantía se anulará o no será aplicada si se determina que la unidad ha sido estropeada, modificada, maltratada, abusada, alquilada o usada comercial y/o profesionalmente (es decir, no para uso residencial). Esta garantía no cubre ajustes mecánicos secundarios que no sean el resultado de defectos en el material o en la mano de obra. Para obtener información sobre este tipo de ajustes, consulte el Manual del Usuario.

F-031065L

Para hacer un reclamo bajo esta Garantía Limitada Murray, Inc. de Dos (2) Años, devuelva la unidad (o la parte defectuosa, si su devolución ha sido autorizada con anticipación) junto con su prueba de compra al Centro de servicio autorizado más cercano. Para localizar el Centro de servicio autorizado más cercano, comuníquese con el Distribuidor central de repuestos para su zona, indicado en la lista que está incluida con su unidad, o consulte los listados de las páginas amarillas de su guía telefónica local. Si usted devuelve la unidad completa, nosotros la repararemos. Si autorizamos la devolución de la parte defectuosa solamente, repararemos o cambiaremos la parte.

Esta **Garantía Limitada Murray, Inc. de Dos (2) Años** le otorga derechos legales específicos, y es posible que tenga otros derechos que varían de estado a estado. **Esta Garantía Limitada es la única proporcionada al comprador en lugar de cualquier otra garantía expresa o implícita, incluyendo la garantía implícita de comercialización y la de adecuación a un propósito especial.** Si usted precisa más información sobre el contenido de esta garantía, o si requiere asistencia para obtener algún servicio, escriba a:

HAYTER LIMITED,
Service Department,
Spellbrook,
Bishop's Stortford,
Hertfordshire. CM23 4BU.

MURRAY, INC.
International Sales
P.O. Box 268
Brentwood, Tennessee USA 37024
1-800-251-8007
Fax (615) 373-6633

INFORMACION DEL PRODUCTO

El propietario debe averiguar que toda la información del producto esté incluida con la unidad. Esta información incluye los MANUALES DE INSTRUCCION, las PIEZAS DE REPUESTO y las GARANTIAS. Esta información debe ser incluida para asegurar que se sigan las leyes estatales y otras.

INFORMACION PARA EL PROPIETARIO

Este manual de instrucciones está destinado para personas con habilidad mecánica. Como en la mayoría de los libros de servicio, no se describen todos los pasos. Pasos sobre cómo aflojar o apretar los sujetadores son pasos que la persona con un poco de habilidad mecánica puede seguir. Lea y siga estas instrucciones antes de usar la unidad.

Conozca su producto: Si usted entiende el funcionamiento de la unidad, obtendrá de ésta el mejor rendimiento. A medida que vaya leyendo este manual, compare las ilustraciones con la unidad. Aprenda la ubicación y la función de los controles. Para prevenir accidentes, siga las instrucciones de operación y las reglas de seguridad. Guarde este manual para referencias futuras.

IMPORTANTE: Muchas unidades no son ensambladas y se venden en cajas de cartón. Es la responsabilidad del propietario asegurarse que las instrucciones de ensamblaje son seguidas exactamente. Otras unidades se compran ya ensambladas. En las unidades ensambladas, es la responsabilidad del propietario asegurar que la unidad esté ensamblada correctamente. Antes de usar la unidad por primera vez, el propietario debe examinarla cuidadosamente según las instrucciones en este manual.



ADVERTENCIA: Preste atención a este símbolo, le indica precauciones de seguridad. Este símbolo indica: "¡Atención! ¡Esté alerta! Su seguridad está en peligro."

RESPONSABILIDAD DEL PROPIETARIO

El propietario tiene la responsabilidad de seguir las instrucciones siguientes.

1. Para una operación segura, lea y siga las reglas cuidadosamente.
2. Siga todas las instrucciones de ensamblaje.

3. Inspeccione la unidad.
4. Asegúrese que el operador de la unidad sepa usar correctamente todos los equipos estándares y todos los accesorios.
5. Opere la unidad solamente con protectores y otros dispositivos de seguridad instalados en su lugar y funcionando correctamente.
6. Ajuste la unidad correctamente.
7. Repare la unidad sólo con piezas de repuesto autorizadas o aprobadas.
8. Finalice todo mantenimiento en la unidad.

Consideraciones ambientales

- No llene completamente el tanque de combustible.
- Si va a almacenar la unidad, vacíe el tanque de combustible.
- Use solamente gasolina sin plomo.
- Mantenga limpio el filtro de aire.
- Cambie el aceite con regularidad. Use aceite 5W-30.
- Ponga a punto/afine el motor con regularidad.
- Mantenga el equipo en condiciones óptimas de funcionamiento.
- Elimine todo aceite viejo de la manera apropiada.

MURRAY		CE
MODEL NO.: 629108x61D		
SKU No.:		
YYYY MM DD: _____		
SERIAL NO.:		
3750 min-1		
108 kg		
Manufactured in Lawrenceburg, TN 38464, U.S.A.		

Valores de emisión de vibraciones especificados según la Directiva 98/37/EC.
Emisión de vibraciones según EN 1033; 1996: 28,4 m/s².
Los valores fueron determinados en el mango con la máquina funcionando de forma estacionaria sobre un área de hormigón a 3750 min⁻¹.

Emisiones de ruido propagado por el aire de Lwa 111 dB están dentro de lo especificado en la Directiva 2000/14/CE, Anexo V.
Niveles de presión acústica a la posición del operador 96 dB.
Los valores fueron determinados al oído de acuerdo con las especificaciones de EN ISO 11201.

DIAGRAMAS INTERNACIONALES

IMPORTANTE: Los siguientes símbolos están ubicados en la unidad o en los impresos informativos que vienen con el producto. Antes de operar la unidad entienda y aprenda el objetivo de cada diagrama.

Símbolos de advertencia de seguridad

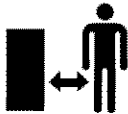


PELIGRO

Objetos lanzados.
Mantenga alejados a los transeúntes.



ADVERTENCIA
Superficie caliente



PELIGRO

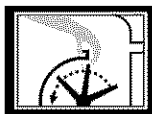
Objetos lanzados.
Mantenga alejados a los transeúntes.



PARE



ADVERTENCIA



PELIGRO
Pare el motor
antes de desatascar
el tubo de descarga.

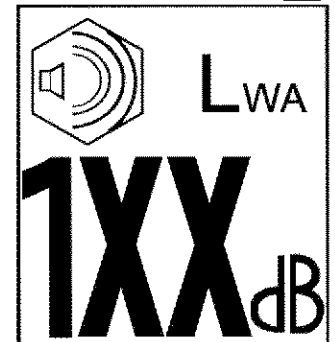


IMPORTANTE
Lea el manual del
propietario antes de
operar esta máquina.



PELIGRO

Evita las lesiones por causa
de la barrena rotatoria.
Mantenga las manos, los
pies y la ropa alejados.



El nivel de potencia acústica
propagado por el aire de 111
dB(A) está dentro de lo espe-
cificado en la Directiva
2000/14/CE.

38

Símbolos de control y operación



Lento



Rápido



Arranque eléctrico



Arranque del motor



Motor en marcha



Motor apagado



Motor parado



Encendido



Cebador desactivado



Cebador activado



Neutro



Avance



Marcha atrás



Acelerador



Botón de cebado



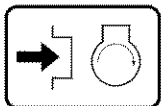
Llave de encendido



Encendido desactivado



Encendido activado



Oprima para accionar
el arranque eléctrico



Enganchar



Embrague de barrena



Colector de barrena



Descarga hacia
ABAJO



Descarga hacia
ARRIBA



Descarga hacia la
IZQUIERDA



Descarga hacia la
DERECHA



Embrague de propulsión



Combustible



Aceite



Mezcla de combustible
y aceite



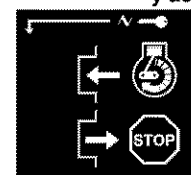
Transferencia de peso
Levante el manubrio para
enganchar



Transferencia de peso
Presione el pedal para
desenganchar



Transmisión



Llave de encendido

Insertar para marcha, retirar para parada.

Prácticas de operación segura para quitanieves

IMPORTANTE: Las normas de seguridad requieren controles con presencia de operador para minimizar el peligro de lesiones. El quitanieves está equipado con dichos controles. No intente anular las funciones de control con presencia del operador bajo ninguna circunstancia.

Entrenamiento

1. Lea cuidadosamente las instrucciones del manual de operación y servicio. Esté bien familiarizado con los controles y el uso adecuado del equipo. Sepa cómo parar la unidad y desenganchar rápidamente los controles.
2. No deje que los niños operen el equipo. No deje que los adultos operen el equipo sin instrucciones apropiadas.
3. Asegúrese de que no haya gente en el área de operación, especialmente niños y mascotas.
4. Tenga cuidado para evitar resbalarse o caer especialmente cuando opere retrocediendo.

Preparación

1. Inspeccione meticulosamente el área dónde tiene que usar el equipo y quite todos los felpudos, trineos, tablas, cables y otros objetos foráneos.
2. Desenganche todos los embragues antes de encender el motor.
3. No opere el equipo sin llevar ropa adecuada de invierno. Lleve calzado que le permita pisar bien sobre superficies resbaladizas.
4. Tenga cuidado con el combustible; es muy inflamable.
 - a. Utilice un contenedor de combustible apropiado.
 - b. Nunca quite la tapa del tanque de combustible o eche combustible si el motor está en marcha o está caliente.
 - c. Llène el tanque de combustible al aire libre con mucho cuidado. Nunca llene el tanque de combustible en un recinto cerrado.
 - d. Reemplace la tapa de combustible firmemente y limpie el combustible derramado.
 - e. No guarde nunca la gasolina o el quitanieves con gasolina en el tanque en un local en que los gases puedan alcanzar una llama o una chispa.
 - f. Revise las reservas de gasolina antes de cada uso, dejando espacio para una cierta dilatación pues el calor del motor o del sol hacen que la gasolina se expanda.
5. Para todas las unidades con motores de arranque eléctrico utilice cables de extensión de arranque eléctrico certificados por CSA/UL. Use solamente un enchufe que haya sido instalado de acuerdo con las autoridades locales de inspección.
6. Ajuste la altura del quitanieves para que no toque las superficies de ripio o grava.

7. Nunca intente hacer ajustes mientras el motor esté en marcha (excepto cuando sea específicamente recomendado por el fabricante).
8. Deje que el motor y el quitanieves se ajusten a las temperaturas exteriores antes de comenzar el trabajo.
9. Lleve siempre gafas protectoras o protección para los ojos durante la operación o mientras haga ajustes o reparaciones para protegerse los ojos de objetos extraños que puedan ser lanzados desde el quitanieves.

Operación

1. No opere esta máquina si está tomando drogas o alguna medicina que pueda causar somnolencia o pueda afectar su capacidad de operar la máquina.
2. No use esta máquina si está mental o físicamente incapacitado para operarla con seguridad.
3. No ponga ni las manos ni los pies debajo de las partes rotatorias. Manténgase alejado de la abertura de descarga en todo momento.
4. Tenga mucho cuidado cuando trabaje o pase por encima de entradas de automóviles, calles o senderos cubiertos de grava. Esté alerta a los peligros ocultos o al tráfico.
5. Después de golpear un objeto extraño, pare el motor, quite el cable de la bujía, inspeccione meticulosamente el quitanieves por si hay daños, y repare los daños antes de arrancar y operar el quitanieves nuevamente.
6. Si la unidad comienza a vibrar de manera extraña, pare el motor y determine inmediatamente la causa. La vibración es generalmente una indicación de que hay problemas.
7. Pare el motor cuando deje la posición de operación, antes de desatascar el alojamiento de la barrena/impulsor o el tubo de descarga, y cuando haga cualquier reparación, ajuste o inspección.
8. Cuando haga limpiezas, reparaciones o inspecciones, asegúrese de que la barrena/impulsor y todas las piezas móviles estén paradas y que todos los controles estén desenganchados. Desconecte el cable de la bujía y manténgalo alejado de la bujía para evitar arranques accidentales.
9. Tome todas las precauciones posibles cuando deje solo el quitanieves. Desenganche la barrena/impulsor, pare el motor y quite la llave.
10. No haga funcionar el motor en recintos cerrados, excepto para arrancar y para transportar el quitanieves hacia adentro o hacia afuera del local. Abra las puertas que dan al exterior; los vapores de escape son peligrosos (contienen MONÓXIDO DE CARBONO, un GAS INODORO y MORTAL).
11. No quite la nieve lateralmente en pendientes. Tenga mucho cuidado cuando cambie de dirección en pendientes. No intente trabajar en pendientes muy inclinadas.

12. Nunca opere el quitanieves sin las guardas, placas de seguridad u otros dispositivos de seguridad adecuados en posición.
13. Nunca opere el quitanieves cerca de recintos cerrados, automóviles, salientes de ventanas, desniveles y obstáculos parecidos sin el ajuste adecuado del ángulo de descarga. Mantenga alejados a niños y mascotas.
14. No recargue la máquina intentando hacer el trabajo demasiado rápido.
15. Nunca opere la máquina a alta velocidad de desplazamiento en superficies resbaladizas. Mire hacia atrás y sea cuidadoso cuando retroceda.
16. Nunca descargue nieve directamente sobre los transeúntes o permita que haya nadie en el camino de la unidad.
17. Desconecte el suministro eléctrico al colector/impulsor cuando transporte el quitanieves o cuando no esté en uso.
18. Use solamente los accesorios aprobados por el fabricante del quitanieves (tales como cadenas para las llantas, juegos de arranque eléctrico, etc.).
19. Nunca opere el quitanieves sin buena visibilidad o luz. Esté siempre seguro de donde pisa y mantenga firmemente agarrados los manubrios. Camine; no corra.
20. No exceda su alcance. Pise con seguridad y manténgase bien equilibrado en todo momento.
21. Tenga cuidado cuando trabaje en superficies muy inclinadas.
22. Este quitanieves es para aceras, entradas de automóvil y otras superficies a nivel del suelo.
23. No use el quitanieves en superficies elevadas tales como techos de casas, garajes, porches u otras estructuras o locales similares.

Mantenimiento y almacenamiento

1. Revise los pernos de seguridad y de otros tipos con regularidad para verificar que están adecuadamente apretados y asegurarse de que el equipo está en condiciones seguras de funcionamiento.
2. Nunca guarde el quitanieves con combustible en el tanque dentro de un local en el cual haya fuentes de ignición tales como calentadores de agua, estufas, secadoras de ropa y artefactos similares. Deje que el motor se enfríe antes de guardarlo en un recinto cerrado.
3. Consulte siempre las instrucciones de la guía del operador para enterarse de importantes detalles en caso de que el quitanieves se vaya a guardar por extensos períodos de tiempo.
4. Mantenga o reemplace las etiquetas de seguridad según sea necesario.
5. Deje el quitanieves en marcha durante unos minutos después de lanzar nieve para evitar que la barrena/impulsor se congelen.

ENSAMBLAJE

Lea y siga las instrucciones de ensamble y ajuste para el quitanieves. Todos los sujetadores están en la bolsa de piezas. No bote ninguna pieza o material hasta que la unidad esté ensamblada.



ADVERTENCIA: Antes de hacerle mantenimiento o montarle alguna pieza al quitanieves, desconecte el cable de la bujía.

NOTA: En este manual de instrucciones, la izquierda y la derecha se refieren a la ubicación de las piezas con respecto al operador cuando éste se encuentra detrás de la unidad.

NOTA: El par de torsión se mide en libras-pie (N.m en métrico). Esta medida indica lo apretado que debe estar un perno o una tuerca. El par de torsión se mide con una llave dinamométrica.

NOTA: Las ilustraciones comienzan en la página 2.

NOTA: Los sujetadores y otras piezas sueltas se muestran en tamaño real en la Figura 30.

Herramientas necesarias

- 1 Cuchillo
- 1 Alicates
- 2 Llaves de 1/2 de plg.
- 2 Llaves de 9/16 de plg.
- 2 Llaves de 3/4 de plg.
- 1 Cinta de medir o regla
- 1 Destornillador

Remoción del quitanieves de la caja

1. (Figura 1) El quitanieves se muestra en posición de transporte.
2. Corte y bote los amarres plásticos que sujetan la manivela de ajuste de dirección de descarga.
3. Corte los cuatro lados de la caja y deje los paneles laterales sobre el suelo.
4. Ubique todas las piezas que están empaquetadas separadamente y sáquelas de la caja.
5. Quite y bote el material de embalaje que rodea al quitanieves.
6. (Figura 2) Para facilitar el transporte, los patines de altura ajustable (7) se fijaron a la paleta. Quite los tornillos (17) que sujetan los patines de altura ajustable (7) a la paleta.
7. Agarre el quitanieves por el manubrio inferior y sáquele de la paleta.

PRECAUCIÓN: NO retroceda sobre los cables.

8. Quite el material de embalaje del ensamble del manubrio.
9. Corte los amarres que sujetan los cables de control del embrague (1) al manubrio inferior (2). Aleje los cables del armazón del motor.

F-031065L

Montaje del manubrio y de la manivela de ajuste de dirección de descarga

1. (Figura 3) Afloje pero no quite los sujetadores (1) en los agujeros superiores del manubrio inferior.
2. Quite los sujetadores y el perno de anilla de la manivela de ajuste de descarga (11) ubicados en los agujeros inferiores del manubrio inferior.
3. (Figura 2) Ponga la palanca de cambios (6) en primera de avance.
4. (Figura 3) Suba el manubrio superior (2) hasta la posición de funcionamiento.
NOTA: Asegúrese de que los cables no están atrapados entre los manubrios superior e inferior.
5. Instale los sujetadores y el perno de anilla de la manivela de ajuste de descarga (11) que quitó en el paso 2 NO apriete los sujetadores hasta que todos estén en posición.
6. (Figura 5) Use el pasador de chaveta (12) para conectar la manivela de ajuste de descarga (15) a la articulación universal (16).
7. (Figura 3) Apriete la tuerca del perno de anilla (11). Asegúrese de que el perno de anilla (11) está adecuadamente alineado y que la manivela (18) puede girar libremente.
8. Apriete todos los sujetadores de los manubrios.

Instalación de la vara de control de velocidad

1. (Figura 8) Conecte la junta articulada (6), ubicada en la parte de abajo de la varilla de control de velocidades (2), al engranaje de cambio de marcha (7). Los sujetadores (8) son conectados a la junta articulada (6) en la fábrica.

El largo de la junta articulada (6) y de la varilla de control de velocidades (2) ha sido preajustado en la fábrica. Ahora, si necesita ajustarlo, afloje la tuerca (9). Retire los sujetadores (8) para desconectar la junta articulada (6) del engranaje de cambio de marcha (7). Para alargar o acortar la varilla de control de velocidades (2), gire el adaptador (10) para obtener el largo correcto.

2. (Figura 4) Coloque el mango (11) sobre la palanca selector de velocidad (5). En algunos modelos el mango (11) viene ya instalado. Para fijar el mango a la palanca, apriete la contratuerca hexagonal (10) contra la parte inferior del mango (11).
3. Asegúrese de que la palanca selector de velocidad (5) esté funcionando correctamente. Coloque la palanca selector de velocidad (5) en todas las posiciones dentadas.

Cómo ensamblar el conducto deflector

1. (Figura 6) Retire el perno de coche (1).
2. Levante el conducto deflector (2) hasta la posición de operación (3).

3. Sujete el conducto deflector (2) a la brida (4) usando los pernos de coche (1). Asegúrese de instalar los pernos de coche (1) de manera que las cabezas de estos queden en la parte interior de la brida (2).
4. Fíjelo con las arandelas (5) y las contratuercas (6).
5. Apriete firmemente las contratuercas (6).

NOTA: Compruebe que todos los pernos de coche en la brida estén apretados. PERO NO LOS APRIETE DEMASIADO.

Revisión de los cables

1. (Figura 7) Revise el cable propulsor de tracción (1) y el cable propulsor de la barrena (2). Si los extremos inferiores de los cables se han desconectado, vuelva a instalar los cables.
2. (Figura 9) Si la parte de arriba de los cables (5) se ha desconectado de las palancas propulsoras (6), una los cables (5) al accesorio "Z" (7).

Fijación de la altura de los patines (Figura 2)

El quitanieves tiene patines de altura ajustable (7) montados en la parte de atrás del alojamiento de la barrena (4). Para ajustar la altura de los patines vea "Ajuste de la altura de los patines" de la sección de mantenimiento.

Cómo establecer la longitud de los cables

Los cables fueron ajustados en la fábrica y no debe ser necesario ajustarlos nuevamente. Sin embargo, después de colocar los mangos en su posición de operación, los cables podrían quedar muy tirantes o muy flojos. Si es necesario ajustarlos, consulte "Cómo revisar y ajustar los cables, en la sección de Servicio y Ajustes.

Cómo ensamblar el cortanieves (si es parte de la unidad)

Los cortanieves se usan para abrir una pasada a través de la nieve cuando ésta es más profunda que el alojamiento de la barrena.

1. (Figura 10) Afloje los sujetadores (2) que afirman las barras de corte de acumulación (1) al alojamiento de la barrena.
2. Levante las barras de corte de acumulación (1) a la altura deseada.
3. Apriete los sujetadores (2).

Preparación del motor

NOTA: El motor fue enviado de la fábrica con aceite. Revise el nivel de aceite. Añada aceite según sea necesario. El motor no contiene GASOLINA.



ADVERTENCIA: Siga las instrucciones del fabricante del motor en cuanto al tipo de combustible y aceite que se debe usar. Use siempre un contenedor de combustible seguro. No fume al echarle gasolina al motor. Cuando esté en un recinto cerrado, no le eche gasolina al tanque. Antes de echar la gasolina, apague el motor. Deje enfriar el motor por varios minutos.

Revise el aceite. Siga las instrucciones del fabricante del motor en cuanto al tipo de combustible y aceite que se debe usar. Antes de usar la unidad, lea la información sobre seguridad, operación, mantenimiento y almacenamiento.

¡Atención! Antes de utilizar la unidad:

- Revise los sujetadores. Compruebe que todos estén bien apretados.
- En los modelos de arranque eléctrico, la unidad ha sido enviada con el cable del sistema de arranque enchufado al motor. Antes de utilizar la unidad, sírvase desenchufar el cable de arranque del motor.

OPERACIÓN

NOTA: Las ilustraciones comienzan en la página 2.

Conozca el quitanieves (Figura 2)

Lea este manual de instrucciones y las reglas de seguridad antes de operar el quitanieves. Compare la ilustración con el quitanieves para familiarizarse con la ubicación de los diversos controles y ajustes.

Palanca del propulsor de tracción (1) – Selecciona el movimiento hacia adelante o hacia atrás.

Manivela de ajuste de dirección de descarga (2) – Cambia la dirección del tubo de descarga.

Tubo de descarga (3) – Cambia la distancia a la que la nieve es lanzada.

Palanca del propulsor de la barrena (5) – Arranca y para la barrena y el impelente (recogedor y lanzador de nieve).

Palanca de cambio de velocidades (6) – Selecciona la velocidad del quitanieves.

Patín de ajuste de altura (7) – Ajusta la distancia del suelo al alojamiento de la barrena.

Llave de encendido (8) – Se debe insertar para arrancar el motor.

Botón cebador (9) – Inyecta combustible directamente en el carburador para producir arranques rápidos cuando hace frío.

Botón de arranque eléctrico (10) – En modelos con arranque eléctrico se usa para arrancar el motor.

Enchufe del motor (11) – En modelos de arranque eléctrico, se usa para conectar un cable de suministro eléctrico de 220 voltios.

Manija del arranque manual (12) – Se usa para arrancar el motor a mano.

Control de aceleración (13) – Controla la velocidad del motor.

F-031065L

Control de cebado (14) – Se usa para arrancar el motor cuando está frío.

Control de la descarga de nieve



ADVERTENCIA: Nunca dirija la descarga de nieve hacia los transeúntes.



ADVERTENCIA: Pare siempre el motor antes de destapar el tubo de descarga o el alojamiento de la barrena, y antes de dejar solo el quitanieves.

1. (Figura 2) Gire la manivela de ajuste de descarga (2) para cambiar la dirección de la descarga de nieve.
2. (Figura 11) Afloje la perilla en forma de mariposa (1) ubicada en el deflector del tubo de descarga (2).
3. Mueva el deflector del tubo de descarga (2) hacia arriba para lanzar la nieve a mayor distancia o hacia abajo para lanzarla a menor distancia.
4. Apriete la perilla en forma de mariposa (1).

Parada del quitanieves (Figura 2)

1. Para detener la descarga de nieve, suelte la palanca del propulsor de la barrena (5).
2. Para parar las ruedas, suelte la palanca del propulsor de tracción (1).
3. Para parar el motor, mueva la palanca de control de aceleración (13) a la posición de apagado y saque la llave de encendido (8).

Avance y retroceso (Figura 2)

1. Para cambiar la velocidad de marcha, suelte primero la palanca del propulsor de tracción (1) y luego mueva la palanca de cambio de velocidades (6) a la velocidad deseada.
2. La velocidad de marcha queda determinada por las condiciones de la nieve. Seleccione la velocidad moviendo la palanca de cambio de velocidades (6) hasta la muesca correspondiente de la placa de la palanca de cambios.

Velocidad, 1, 2 Mojada, pesada

Velocidad 3 Ligera

Velocidad 4 Muy ligera

Velocidad, 5, 6 Sólo para transporte

3. Para avanzar, oprima la palanca del propulsor de tracción (1). Sujete firmemente el manubrio cuando el quitanieves comience a avanzar. Guíe el quitanieves moviendo el manubrio hacia la izquierda o la derecha. No intente empujar el quitanieves.
4. Para retroceder, suelte la palanca del propulsor de tracción (1).
5. Mueva la palanca de cambio de velocidades (6) a la primera o segunda velocidad de marcha atrás.
6. Oprima la palanca del propulsor de tracción (1).

IMPORTANTE: No mueva la palanca de cambio de velocidades (6) mientras la palanca del propulsor de tracción (1) esté oprimida.

Lanzamiento de la nieve (Figura 2)

1. Oprima la palanca del propulsor de la barrena (5).
2. Para dejar de lanzar nieve, suelte la palanca del propulsor de la barrena (5).



ADVERTENCIA: Operar un quitanieves puede dar como resultado que objetos sean lanzados a los ojos de las personas, lo cual puede producir heridas graves. Use siempre anteojos o gafas de seguridad para proteger los ojos durante la operación del quitanieves. Se recomienda el uso de gafas de seguridad estándar o una careta de seguridad de vista amplia sobre los anteojos.

Uso del pasador de bloqueo de la rueda (Figura 12)

1. La rueda izquierda va sujeta al eje con un pasador klick (1). Esta unidad fue enviada con el pasador klick (1) en el agujero de la rueda en posición de bloqueo (2).
2. Para maniobrar con facilidad en condiciones de nieve ligera, cambie el pasador klick (1) a la posición de desbloqueo (3).
3. Quite el pasador klick (1) de la posición de bloqueo de la rueda (2). Empuje el pasador klick (1) sólo a través del agujero del eje desbloqueado. La unidad quedará en la posición de tracción en una sola rueda desbloqueada (3).

Pasos previos al arranque del motor

1. Antes de arrancar el motor o hacerle servicio o mantenimiento, familiarícese con el quitanieves. Asegúrese de entender el funcionamiento y la ubicación de todos los controles.
2. Revise la tensión del cable del embrague antes de arrancar el motor. Ver "Ajuste del cable del embrague" en la sección de mantenimiento de este manual.
3. Asegúrese de que todos los sujetadores están apretados.
4. Asegúrese de que los patines de ajuste de altura están debidamente ajustados. Ver "Ajuste de la altura de los patines" en la sección de mantenimiento de este manual.
5. Revise la presión de las llantas. La presión correcta es de 14 PSI (1 BAR) a 17 PSI (1,25 BAR). No exceda la presión de aire máxima que aparece indicada en el lado de la llanta.

Parada del motor (Figura 2)

Para apagar el motor, mueva la palanca de control de aceleración (3) a la posición de parada y saque la llave de encendido (8). Mantenga la llave de encendido (8) en un lugar seguro. El motor no arranca sin la llave de encendido (8).

Arranque del motor (Figura 2)

Modelos equipados con arranque eléctrico

NOTA: Es posible instalar un juego de arranque eléctrico en motores de arranque manual. Hay juegos de arranque eléctrico disponibles en el centro de servicio autorizado más cercano.



ADVERTENCIA: El arranque está equipado con un cordón y enchufe de tres clavijas diseñado para funcionar con corriente doméstica de 220 voltios de C.A. El cordón de alimentación debe estar conectado a tierra en todo momento para evitar la posibilidad de descarga eléctrica que puede lesionar al operador. Siga cuidadosamente todas las instrucciones de la sección "Arranque del motor". Asegúrese de que el cableado de su casa es un sistema de tres cables conectado a tierra. Si no está seguro, pregúntele a un electricista licenciado. Si su casa no tiene un sistema de tres cables conectado a tierra, no use este arranque eléctrico bajo ninguna circunstancia. Si su sistema está conectado a tierra pero no dispone de un enchufe de tres agujeros conectado a tierra, haga que un electricista licenciado instale el enchufe en cuestión. Para conectar el cordón de alimentación de 220 voltios de C.A., conecte siempre el cordón al enchufe (11) del motor primero. Luego, conecte el otro extremo en el enchufe de tres agujeros conectado a tierra. Cuando desconecte el cordón de alimentación, desenchufe siempre el extremo del enchufe de tres agujeros primero.

Arranque del motor en frío (Figura 2)

1. Revise el aceite del motor.
2. Llene el tanque de combustible con gasolina regular sin plomo. Ver "Preparación del motor".
3. Asegúrese de que la **palanca del propulsor de tracción (1)** y la **palanca del propulsor de la barrena (5)** están desenganchadas.
4. Mueva la **palanca del acelerador (13)** a la posición de rápido.
5. Inserte la **llave de encendido (8)** en la ranura de encendido. Asegúrese de que la **llave de encendido (8)** encaja en posición. **No gire la llave de encendido (8)**. Quite la llave de encendido adicional y guárdela en un lugar seguro.
6. Mueva el **control de cebado (14)** a la posición de cebado total.
7. (**Arranque eléctrico**) Conecte el cordón de alimentación en el **enchufe (11)** ubicado en el motor.
8. (**Arranque eléctrico**) Enchufe el otro extremo del cordón de alimentación en el enchufe de 220 voltios de C.A. de tres agujeros conectado a tierra. (Ver la ADVERTENCIA en esta sección).
9. Oprima el **botón de cebado (9)**. Cada vez que oprima el **botón de cebado (9)**, espere dos segundos. Para saber el número de veces que hay que oprimir el **botón de cebado (9)**, vea las instrucciones del fabricante del motor.
10. (**Arranque eléctrico**) Oprima el **botón de arranque eléctrico (10)** hasta que el motor arranque. No haga girar el motor por más de 10 segundos cada vez. El arranque eléctrico tiene protección térmica. Si el arranque eléctrico se recalienta, se parará y se puede volver a activar sólo una vez que se ha enfriado hasta alcanzar una temperatura segura. Se requiere una espera de 5 a 10 minutos para permitirle al arranque que se enfríe.

11. (**Arranque manual**) Jale rápidamente la **manija de arranque manual (12)**. No suelte la **manija de arranque manual (12)** inmediatamente después de jalarla. Deje que la **manija (12)** vuelva lentamente a su posición original.
12. Si el motor no arranca a los 5 ó 6 intentos, vea las instrucciones en la "Tabla de localización y reparación de averías".
13. (**Arranque eléctrico**) Cuando el motor arranca, suelte el **botón de arranque eléctrico (10)** y mueva el **control de cebado (14)** a la posición de 1/2 cebado. Cuando el motor esté andando uniformemente, mueva el **control de cebado (14)** a la posición de apagado.
14. (**Arranque eléctrico**) Desconecte primero el cordón de alimentación del enchufe de tres agujeros. Luego, desconecte el cordón de alimentación del **enchufe del motor (11)**.
NOTA: Cuando la temperatura esté por debajo de los 0°F (-18°C), deje que el motor se caliente durante varios minutos antes de comenzar a lanzar nieve.
15. Cuando lance nieve, haga funcionar el motor siempre con el **control de aceleración (13)** en la posición de rápido.



ADVERTENCIA: Nunca haga andar el motor dentro de un recinto cerrado o en áreas con poca ventilación. Los gases de escape del motor contienen monóxido de carbono, que es un gas inodoro y mortal. Mantenga las manos, los pies, el pelo y las ropas sueltas alejadas de las partes en movimiento ubicadas en el motor o la barrena del quitanieves. La temperatura del silenciador y de las piezas alrededor del silenciador pueden exceder los 150°F. Evite el contacto con estos componentes.

Arranque del motor en caliente (Figura 2)

Si el motor ha estado andando y todavía está caliente, deje el **control de cebado (14)** en la posición de apagado y no pulse el **botón de cebado (9)**. Si el motor no arranca, siga las instrucciones de la sección "Arranque del motor en frío".

NOTA: No use el botón cebador (9) para arrancar un motor caliente.

Arranque de un motor con el arranque eléctrico congelado (Figura 2)

Si el arranque eléctrico está congelado y no hace girar el motor, siga las siguientes instrucciones.

1. Jale la **manija de arranque manual (12)** lo más afuera posible.
2. Suelte rápidamente la **manija de arranque manual (12)**. Deje que la **manija de arranque manual (12)** se enrolle rápidamente.

Si el motor sigue sin arrancar, repita los dos pasos anteriores hasta que arranque. Luego, continúe con las instrucciones de "Arranque del motor en frío".

Para evitar el posible congelamiento del arranque manual y de los controles del motor, proceda como se indica a continuación después de cada trabajo de remoción de nieve.

1. Con el motor en marcha, jale rápidamente la **manija de arranque manual (12)** tres o cuatro veces con un movimiento de brazo completo y continuo. Esto produce un traqueteo fuerte que no le hace daño ni al motor ni al arranque.
2. Apague el motor. Limpie toda la nieve y la humedad de los cables, de las palancas de control y de la cubierta del carburador. Mueva también varias veces el **control de aceleración (13)**, el **control de cebado (14)** y la **manija de arranque manual (12)**.

Remoción de nieve o desechos del alojamiento de la barrena (Figura 2)



ADVERTENCIA: No intente quitar la nieve o desechos que se hayan acumulado en el alojamiento de la barrena sin tomar las siguientes precauciones.

1. Suelte la **palanca del propulsor de la barrena (5)**.
2. Mueva el **control de aceleración (13)** a la posición de parada.
3. Quite (no gire) la **llave de encendido (8)**.
4. Desconecte el cable de la bujía.
5. No ponga las manos en el **alojamiento de la barrena (4)** ni el **tubo de descarga (3)**. Use una barra u otra herramienta similar para quitar la nieve o desechos.

Sugerencias para el lanzamiento de nieve

1. Para obtener la máxima eficiencia del quitanieves, cambie la velocidad de marcha y NO la velocidad del motor. El motor está diseñado para funcionar al máximo rendimiento a toda aceleración y debe hacerse funcionar en la posición de rápido en todo momento. En nieve profunda, mojada o congelada, reduzca la velocidad de avance. Si las ruedas patinan, reduzca también la velocidad de avance.
2. El lanzamiento de nieve más eficiente se logra cuando la nieve se quita inmediatamente después de la nevada.
3. Para quitar completamente la nieve, sobreponga levemente las pasadas del quitanieves.
4. Cuando sea posible, descargue la nieve a favor del viento.
5. Para uso normal, fije los patines de manera que la barra raspadora quede a un 1/8 de pulgada por encima de los patines. Para superficies de nieve extremadamente apisonada, ajuste los patines hacia arriba de manera que la barra raspadora toque el suelo.
6. La máquina no debe recoger y lanzar piedras o grava. En superficies de grava o ripio, fije los patines a 1-1/4 de pulgada por debajo de la barra raspadora. Ver "Ajuste de la altura de los patines" en la sección de mantenimiento.
7. Después de cada trabajo, deje que el motor funcione en marcha lenta por unos minutos. Así se derrite la nieve y el hielo acumulados en el motor.
8. Limpie el quitanieves después de cada uso.
9. Quite el hielo, la nieve y los desechos de todo el quitanieves. Enjuáguelo con agua para quitarle toda la sal y otros productos químicos. Seque el quitanieves con un trapo.

TABLA DE MANTENIMIENTO

RESPONSABILIDADES DEL CLIENTE

REGISTROS DE SERVICIO Anote las fechas en que se le haga mantenimiento regular.	Antes de cada uso	Prime- ras 2 horas	Cada 5 horas	Cada 10 horas	Cada 25 horas	Cada esta- ción	Antes de guar- dario	FECHA DEL SERVICIO
Revisar el nivel de aceite del motor	√		√			√		
Cambiar el aceite del motor					√	√		
Revisar y apretar todos los tornillos y tuercas	√					√		
Revisar la bujía					√	√		
Ajustar la correa propulsora		√			√	√		
Revisar el combustible	√							
Vaciar el tanque de combustible							√	
Revisar el ajuste del cable del embrague de la barrena (Ver "Ajuste del cable")		√				√		
Revisar el ajuste del cable del embrague de tracción (Ver "Ajuste del cable")		√				√		
Lubricar todos los puntos de giro				√			√	
Lubricar el eje de la barrena (Ver "Cambio de pernos de ruptura")				√			√	
Lubricar las ruedas dentadas y las cadenas de propulsión				√			√	

MANTENIMIENTO

NOTA: Las ilustraciones comienzan en la página 2.

Consulte la siguiente sección de mantenimiento para mantener la unidad en buenas condiciones de funcionamiento. Toda la información respecto al mantenimiento del motor se encuentra en las instrucciones del fabricante del motor. Lea este manual antes de arrancar el motor.



ADVERTENCIA: Antes de hacer una inspección, reparación o ajuste (excepto en el carburador), desconecte el cable de la bujía.

Recomendaciones generales

La garantía de este quitanieves no cubre partes que hayan sido sometidas a abuso o negligencia por parte del operador. Para recibir el valor completo de la garantía, el operador debe mantener el quitanieves de acuerdo con las instrucciones de este manual.

Se deben hacer algunos ajustes periódicamente para mantener el quitanieves en condiciones óptimas de operación.

Después de cada uso

- Vea si hay piezas sueltas o dañadas.
- Apriete los sujetadores que estén sueltos.
- Revise y hágale mantenimiento a la barrena.
- Revise los controles para asegurarse de que funcionan correctamente.

F-031065L

- Si alguna parte está gastada o dañada, cámbiela inmediatamente.

Todos los ajustes que aparecen en la sección de **Mantenimiento** deben hacerse por lo menos una vez cada estación.

Según sea necesario

Los siguientes ajustes se deben hacer más de una vez por estación.

1. Ajuste la correa del propulsor de la barrena después de las primeras 2 ó 4 horas, a mitad de la estación, y dos veces cada estación de ahí en adelante. Ver "Ajuste de la correa del propulsor de la barrena" en la sección de mantenimiento.

Lubricación

Cada 10 horas (Figura 13)

1. Lubrique los **accesorios Zerk (1)** cada diez horas con una pistola engrasadora.
2. Cada vez que cambie un perno de seguridad, engrase también el eje de la barrena.
3. Lubrique todos los puntos de giro.

Cada 25 horas

Engranaje de rotación del canal de descarga

(Figura 5) Lubricar el **engranaje de rotación del canal de descarga (1)** con aceite de automóvil.

Cadenas

1. (Figura 2) Ponga la **palanca de cambio de velocidades (6)** en primera.
2. Vacíe el tanque de gasolina. Ponga el quitanieves en posición vertical sobre la parte delantera del **alojamiento de la barrena (4)**.



ADVERTENCIA: Vacíe el tanque de gasolina al aire libre, lejos de fuentes de ignición.

3. (Figura 20) Afloje los **pernos (3)** que hay a cada lado del **panel de fondo (2)**.
4. Quite el **panel de fondo (2)**.
5. (Figura 14) Lubrique las **cadenas (5)** con un aceite que sea apropiado para este tipo de componente.
6. Aplique aceite de motor 5W30 al **eje hexagonal y a las ruedas dentadas (6)**.
NOTA: No deje que la grasa o el aceite entre en contacto con la placa del propulsor de disco (1) o con la rueda de fricción (3), esto puede producir daños. Limpie el aceite o la grasa con un solvente a base de alcohol.
7. (Figura 20) Instale el **panel de fondo (2)**.
8. Apriete los **pernos (3)** que hay a cada lado del **panel de fondo (2)**.

Partes que no se deben lubricar (Figura 14)

1. No lubrique las **ruedas dentadas y el eje hexagonal (6)**. Todos los cojinetes y casquillos tienen lubricación permanente. Para guardar el quitanieves, ponga una pequeña cantidad de aceite de motor 5W-30 en un paño y limpie **las ruedas dentadas y el eje hexagonal (6)** para evitar que se oxiden.

- Si la grasa entra en contacto con la **placa del propulsor de disco (1)** o con la **rueda de fricción (3)**, esta última se puede dañar. Asegúrese de limpiar meticulosamente la **placa del propulsor de disco (1)** y la **rueda de fricción (3)**.

PRECAUCIÓN: El engrasado o aceitado de cualquiera de los componentes mencionados anteriormente puede causar contaminación de la rueda de fricción (3). Si la placa del propulsor de disco (1) o la rueda de fricción (3) se contaminan con grasa o aceite, la rueda de fricción se dañará.

- La caja de engranajes de la barrena se lubrica en la fábrica y no requiere lubricación adicional. Si por alguna razón el lubricante se escapa, haga que un técnico del centro de servicio autorizado revise la caja.

Ajuste de la altura de los patines (Figura 2)

Este quitanieves tiene dos **patines (7)** cuya altura se puede ajustar. Estos patines elevan la parte delantera del quitanieves. Para superficies duras normales, tales como aceras o entradas de automóvil pavimentadas, ajuste los patines de la siguiente manera.

- Ponga el quitanieves en una superficie nivelada.
- Asegúrese de que las dos llantas tienen la misma presión de aire. La presión correcta es de 14 PSI (1 BAR) a 17 PSI (1,25 BAR). No exceda la presión de aire máxima que aparece indicada en el lado de la llanta.
- Ponga los pernos de seguridad adicionales (que se encuentran en la bolsa de piezas) debajo de cada extremo de la **barra raspadora (15)** junto a los **patines ajustables (7)**.
- Afloje las **tuercas de montaje (16)** que sujetan los **patines ajustables (7)**. Para bajar la parte delantera del quitanieves, suba los **patines ajustables (7)**. Apriete las **tuercas de montaje (16)**.

NOTA: Para las superficies pedregosas o irregulares, suba la parte delantera del quitanieves bajando los patines ajustables (7).



ADVERTENCIA: Asegúrese de mantener la altura necesaria sobre el suelo del área que se va a limpiar. Si el impulsor golpea objetos tales como grava, piedras u otros desechos, los puede lanzar con suficiente fuerza como para causar lesiones personales, daños a la propiedad o daños al quitanieves.

Ajuste de la barra raspadora (Figura 2)

Después de mucho uso, la **barra raspadora (15)** se habrá gastado. La **barra raspadora (15)**, y los patines, se deben ajustar para que haya un espacio libre de 1/8 de pulgada entre la **barra raspadora (15)** y la acera o el área que se va a despejar.

- Ponga el quitanieves en una superficie nivelada.
- Asegúrese de que las dos llantas tienen la misma presión de aire. La presión correcta es de 14 PSI (1 BAR) a 17 PSI (1,25 BAR). No exceda la presión de aire máxima que aparece indicada en el lado de la llanta.
- Afloje las tuercas y pernos de cabeza redondeada que sujetan la **barra raspadora (15)** al **alojamiento de la barrena (4)**.

- Ajuste la **barra raspadora (15)** de modo que quede a una distancia de 1/8 de pulgada de la acera o el área que se va a despejar.
- Apriete las tuercas y pernos de cabeza redondeada. Asegúrese de que la **barra raspadora (15)** está paralela a la acera o área que se va a despejar.
- Para que la **barra raspadora (15)** dure más tiempo, quítela y móntela al revés.

Revisión y ajuste de los cables

El cable del propulsor de tracción y el cable del propulsor de la barrena vienen ajustados de fábrica. Durante el uso normal, el cable se puede estirar y hay que revisarlo y ajustarlo como se indica a continuación.

Revisión de los cables (Figura 15)

- Para comprobar que el ajuste esté correcto, desconecte el **accesorio "Z" (1)** de la **palanca del propulsor (2)**.
- Mueva la **palanca del propulsor (2)** hacia adelante hasta que toque el **tope de plástico (3)**.
- El cable de control está correctamente ajustado si el centro del **accesorio "Z" (1)** está **alineado (4)** con el agujero en la **palanca del propulsor (2)** y el cable no está flojo.

Ajuste del cable del propulsor de la barrena

- Vacíe el tanque de gasolina. Ponga el quitanieves verticalmente sobre la parte delantera del alojamiento de la barrena.



ADVERTENCIA: Vacíe el tanque de gasolina al aire libre, lejos de fuentes de ignición.

- (Figura 15) Desconecte el **accesorio "Z" (1)** de la **palanca del propulsor (2)**.
- (Figura 16) Jale la cubierta del resorte para dejar el **resorte (5)** al descubierto. Meta el **cable (6)** a través del **resorte (5)** para dejar al descubierto el **extremo cuadrado (7)** del **cable (6)**.
- Sujete el **extremo cuadrado (7)** con alicates y ajuste la **contratuercas (8)** hacia adentro o hacia afuera hasta que el cable no esté flojo.
- Pase el **cable (6)** otra vez por el **resorte (5)**.
- (Figura 15) Conecte el **accesorio "Z" (1)** a la **palanca del propulsor (2)**.

NOTA: Cuando ajuste la correa del propulsor de la barrena, revise y ajuste también el cable.

Ajuste del cable del propulsor de tracción

- Vacíe el tanque de gasolina. Ponga el quitanieves verticalmente sobre la parte delantera del alojamiento de la barrena.



ADVERTENCIA: Vacíe el tanque de gasolina al aire libre, lejos de fuentes de ignición.

- (Figura 20) Afloje los **pernos (3)** que hay a cada lado del **panel de fondo (2)**.
- Quite el **panel de fondo (2)**.
- (Figura 15) Desconecte el **accesorio "Z" (1)** de la **palanca del propulsor de la barrena (2)**.
- (Figura NO TAG) Deslice la **funda del cable (3)** fuera del **soporte de ajuste del cable (4)**.

- Empuje el extremo del **cable de control de la barrena (5)** a través del **soporte de ajuste del cable (4)** hasta que logre soltar el **gancho en "Z" (6)**.
- Quite el **gancho en "Z" (6)** del **soporte de ajuste del cable (4)**. Coloque el **gancho en "Z" (6)** en el próximo agujero de ajuste.
- Jale el **cable de control de la barrena (5)** a través del **soporte de ajuste del cable (4)**.
- Coloque de nuevo la **funda del cable (3)** sobre el **soporte de ajuste del cable (4)**.
- (Figura 15) Reconecte el **accesorio "Z" (1)** a la **palanca del propulsor de la barrena (2)**.
- (Figura 14) Para revisar el ajuste, baje la palanca de propulsión y compruebe la longitud del **resorte de propulsión (7)**. Si el ajuste es el correcto, la longitud del **resorte de propulsión (7)** es min. 3 plg. (76 mm) max. 3-3/8 plg. (85 mm)
- (Figura 20) Instale de nuevo el **panel de fondo (2)**.
- Apriete los **pernos (3)** a cada lado del **panel de fondo (2)**.

Ajuste de las correas

Las correas se estiran con el uso normal. Si necesita ajustar las correas debido al uso o estiramiento, proceda como se indica a continuación.

Ajuste de la correa del propulsor de la barrena

Si el quitanieves no lanza nieve, revise el ajuste del cable del propulsor de la barrena. Ver "Revisión y ajuste de los cables" en la sección de mantenimiento. Si el ajuste está bien, revise luego el estado de la correa del propulsor de la barrena. Si la correa está dañada, cámbiela. Ver "Cambio de las correas" en la sección de mantenimiento. Si la correa está floja, ajústela de la siguiente manera.

- Desconecte el cable de la bujía.
- (Figura 17) Quite el **tornillo (2)** de la **cubierta de la correa (1)**. Quite la **cubierta de la correa (1)**.
- (Figura 18) Afloje la **tuerca (2)** de la **polea tensora (3)**. Mueva la **polea tensora (3)** 1/8 de pulgada hacia la **correa del propulsor de la barrena (4)**.
- Apriete la **tuerca (2)**.
- (Figura 19) Presione la palanca del propulsor de la barrena. Revise la tensión de la **correa del propulsor de la barrena (4)**. Si está ajustada correctamente, la **correa del propulsor de la barrena (4)** se desvía 1/2 pulgada (5) al aplicársele una presión moderada. Si el ajuste no está bien, repita el procedimiento de ajuste.
- (Figura 17) Instale la **cubierta de la correa (1)**. Apriete el **tornillo (2)**.
- Revise el ajuste del cable del propulsor de la barrena. Ver "Revisión y ajuste de los cables" en la sección de mantenimiento.
- Conecte el cable de la bujía.

Correa del propulsor de tracción

La correa del propulsor de tracción tiene presión de resorte constante y no requiere ajuste. Si la correa del propulsor de tracción está patinando, cámbiela. Ver "Cambio de las correas" en la sección de mantenimiento.

Cambio de las correas

Las correas del propulsor han sido construidas especialmente y deben reemplazarse con correas de repuesto de fábrica disponibles en el centro de servicio autorizado más cercano.

Algunos pasos requieren la asistencia de otra persona.

Remoción de la correa del propulsor de la barrena

Si la correa del propulsor de la barrena está dañada, el quitanieves no lanza nieve. Cambie las correas dañadas de la siguiente manera.

1. Desconecte el cable de la bujía.
2. (Figura 20) Afloje los pernos (3) que hay a cada lado del panel de fondo (2).
3. Quite el panel de fondo (2).
4. (Figura 17) Quite el tornillo (2) de la cubierta de la correa (1). Quite la cubierta de la correa (1).
5. (Figura 18) Afloje la guía de la correa (9). Aleje la guía de la correa (9) de la polea del propulsor de la barrena (10).
6. Aleje la polea tensora (3) de la correa del propulsor de la barrena (4).
7. Quite la antigua correa del propulsor de la barrena (4) de la polea del propulsor de la barrena (10) y de la polea (11) del motor. Cambie la correa del propulsor de la barrena (4) por una correa de repuesto original de fábrica disponible en un centro de servicio autorizado.
8. Instale la nueva correa del propulsor de la barrena (4) en la polea del propulsor de la barrena (10) y la polea del motor (11).
9. Ajuste de la correa del propulsor de la barrena (4). Ver "Ajuste de la correa del propulsor de la barrena" en la sección de mantenimiento.
10. Ajuste de la guía de la correa (9). Ver "Ajuste de la guía de la correa" en la sección de mantenimiento.
11. (Figura 17) Instale la cubierta de la correa (1). Apriete el tornillo (2).
12. Revise el ajuste de los cables. Ver "Revisión y ajuste de los cables" en la sección de mantenimiento.
13. (Figura 20) Instale el panel de fondo (2).
14. Apriete los pernos (3) a cada lado del panel de fondo (2).
15. Conecte el cable de la bujía.

Remoción de la correa del propulsor de tracción

Si el quitanieves no avanza, revise la correa del propulsor de tracción para ver si está gastada o dañada. Si la correa del propulsor de tracción está gastada o dañada, cámbiela de la siguiente manera.

1. Desconecte el cable de la bujía.
2. Quite la correa del propulsor de la barrena. Ver "Remoción de la correa del propulsor de la barrena" en la sección de mantenimiento.
3. (Figura 18) Quite el anillo en "e" (17) del extremo del eje lateral de la placa oscilante (18). Retire el eje lateral de la placa oscilante (18) para permitir que la placa oscile hacia adelante.
4. Quite el resorte del propulsor de tracción (16).

F-031065L

5. Quite la antigua correa del propulsor de tracción (13) de la polea del propulsor de tracción (14) y de la polea del motor (15). Cambie la correa del propulsor de tracción (4) por una correa de repuesto original de fábrica disponible en un centro de servicio autorizado.
 6. Instale la nueva correa del propulsor de tracción (13) en la polea del propulsor de tracción (14) y en la polea del motor (15).
 7. Asegúrese de que la polea tensora del propulsor de tracción (12) esté debidamente alineada con la correa del propulsor de tracción (13).
 8. Conecte el resorte del propulsor de tracción (16).
 9. Instale el eje lateral de la placa oscilante (18) y sujételo con el anillo en "e" (17) que quitó antes.
 10. (Figura 28) El fondo de la placa oscilante (20) debe ubicarse entre las lengüetas de alineación (19). Asegúrese de que la placa oscilante (20) esté bien sujeta.
- NOTA: Si el propulsor no funciona después de haber reemplazado la correa del propulsor de tracción, verifique que la placa oscilante esté correctamente colocada entre las lengüetas de alineación (19).**
11. (Figura 18) Instale y ajuste la correa del propulsor de la barrena (4). Ver "Remoción de la correa del propulsor de la barrena" en la sección de mantenimiento.
 12. Ajuste de la guía de la correa (9). Ver "Ajuste de la guía de la correa" en la sección de mantenimiento.
 13. (Figura 20) Instale el panel de fondo (2).
 14. Apriete los pernos (3) a cada lado del panel de fondo (2).
 15. (Figura 17) Instale la cubierta de la correa (1). Apriete el tornillo (2).
 16. Revise el ajuste de los cables. Ver "Revisión y ajuste de los cables" en la sección de mantenimiento.
 17. Conecte el cable de la bujía.

Ajuste de la guía de la correa (9)

1. Desconecte el cable de la bujía.
2. (Figura 17) Quite el tornillo (2). Quite la cubierta de la correa (1).
3. (Figura 2) Oprima la palanca del propulsor de la barrena (5).
4. (Figura 21) Mida la distancia de la guía de la correa (2) a la correa del propulsor de la barrena (3). La distancia correcta (4) es 1/8 de pulgada (3,175 mm).
5. Si es necesario ajustarla, afloje el perno de montaje de la guía de la correa (2). Mueva la guía de la correa (2) a la posición correcta (4). Apriete el perno de montaje de la guía de la correa (2).
6. (Figura 17) Instale la cubierta de la correa (1). Apriete el tornillo (2).
7. Conecte el cable de la bujía.

Ajuste o reemplazo de la rueda de fricción

Revisión de la rueda de fricción

Si el quitanieves no avanza, revise la correa del propulsor de tracción, el cable del propulsor de

tracción o la rueda de fricción. Si la rueda de fricción está gastada o dañada, hay que cambiarla. Ver "Reemplazo de la rueda de fricción" en esta sección. Si la rueda de fricción no está gastada o dañada, revisela de la siguiente manera.

1. (Figura 2) Vacíe el tanque de gasolina. Ponga el quitanieves en posición vertical sobre la parte delantera del alojamiento de la barrena (4).



ADVERTENCIA: Vacíe el tanque de gasolina al aire libre, lejos de fuentes de ignición.

2. Desconecte el cable de la bujía.
3. (Figura 20) Quite los pernos (1) que hay a cada lado del panel de fondo (2).
4. (Figura 20) Afloje los pernos (3) a cada lado del panel de fondo (2).
5. Quite el panel de fondo (2).
6. (Figura 2) Ponga la palanca de cambio de velocidades (6) en la posición más lenta de velocidad de avance.
7. (Figura 22) Fíjese en la posición de la rueda de fricción (4) (consulte la. La distancia correcta "A" desde el lado derecho de la rueda de fricción (4) hasta la parte exterior de la caja del motor es la siguiente:

Tamaño llanta	Distancia "A"
12 y 13 pulgs.	4-1/8"
16 pulgs.	4-5/16"

 Si la rueda de fricción (4) no está en la posición correcta, ajústela de la siguiente manera.

Ajuste de la rueda de fricción

1. (Figura 8) Afloje la tuerca (9) en la varilla de control de velocidades (2).
2. Retire los sujetadores (8) para desconectar la junta articulada (6) del engranaje de cambio de marcha (7). Para alargar o acortar la varilla de control de velocidades (2), gire el adaptador (10) para obtener la posición correcta de la rueda de fricción.
3. Monte la junta articulada (6) al engranaje de cambio de marcha (7) con los sujetadores (8).
4. Apriete la tuerca (9) en la varilla de control de velocidades (2).
5. Compruebe que la palanca de cambio de velocidades (1) funcione correctamente. Mueva la palanca de cambio de velocidades (1) a través de todos los cambios.
6. (Figura 20) Instale el panel de fondo (2).
7. Apriete los pernos (3) que hay a cada lado del panel de fondo (2).
8. Instale los pernos (1) a cada lado del panel de fondo (2).

Reemplazo de la rueda de fricción

Si la rueda de fricción está gastada o dañada, el quitanieves no avanza. La rueda de fricción se debe cambiar de la siguiente manera.

1. (Figura 2) Vacíe el tanque de gasolina. Ponga el quitanieves en posición vertical sobre la parte delantera del alojamiento de la barrena (4).



ADVERTENCIA: Vacíe el tanque de gasolina al aire libre, lejos de fuentes de ignición.

2. Desconecte el cable de la bujía.
3. (Figura 26) Quite los sujetadores que fijan la llanta derecha (10). Quite la llanta derecha (10) del eje (11).

4. Afloje los **pernos (3)** que hay a cada lado del **panel de fondo (2)**.
5. Quite el **panel de fondo (2)**.
6. (**Figura 27**) Quite los sujetadores que fijan la **rueda dentada del propulsor (12)** al **eje (11)**.
7. Quite la llanta izquierda, el **eje (11)** y la **rueda dentada del propulsor (12)**.
8. (**Figura 25**) Quite los cuatro **pernos (16)** que retienen los **cojinetes (7)** a cada lado del **eje hexagonal (8)**.
9. (**Figura 29**) Quite el **eje hexagonal (8)** y los **cojinetes (7)**.
NOTA: Fijese especialmente en la posición de las arandelas (17).
10. (**Figura 24**) Quite los tres **sujetadores (4)** que retienen la **rueda de fricción (5)** en el **cubo (6)**.
11. (**Figura 24**) Quite la **rueda de fricción (5)** del **cubo (6)**. Deslice la **rueda de fricción (5)** fuera del **eje hexagonal (8)**.
12. Instale la nueva **rueda de fricción (5)** en el **cubo (6)** con los sujetadores que quitó antes.
13. (**Figura 29**) Instale el **eje hexagonal (8)** y los **cojinetes (7)** con los cuatro pernos que quitó antes.
Asegúrese de que haya instalado correctamente las arandelas (17) en su posición original. Asimismo, compruebe que las dos arandelas (13) estén correctamente alineadas con los brazos del impulsor (14).
14. Asegúrese de que el **eje hexagonal (8)** gira libremente.
15. (**Figura 27**) Instale la llanta izquierda, el **eje (11)** y la **rueda dentada del propulsor (12)** con los sujetadores que quitó antes. Instale la **cadena (15)** en la **rueda dentada del propulsor (12)**.
16. Revise el ajuste de la rueda de fricción. Ver "Ajuste de la rueda de fricción" en esta sección.
17. Asegúrese de que la rueda de fricción y la placa del propulsor de disco no tienen ni grasa ni aceite.
18. (**Figura 20**) Instale el **panel de fondo (2)**.
19. Apriete los **pernos (3)** que hay a cada lado del **panel de fondo (2)**.
20. (**Figura 26**) Instale la **llanta derecha (10)** en el **eje (11)** con los sujetadores que quitó antes.
21. Conecte el cable de la bujía.

Reemplazo de los pernos de seguridad de la barrena

Las barrenas están unidas al eje de barrenas con pernos de seguridad especiales. Estos pernos están diseñados para romperse y proteger la máquina si un objeto se atasca en el alojamiento de la barrena. No use pernos duros pues perderá la protección de los pernos de seguridad.



ADVERTENCIA: Por razones de seguridad y para proteger la máquina, use solamente pernos de seguridad originales.

Para cambiar un perno de seguridad roto, proceda de la siguiente manera. Hay pernos de seguridad adicionales en la bolsa de piezas de ensamblaje.

1. (**Figura 2**) Mueva el **control de aceleración (13)** a la posición de parada. Desenganche todos los controles.
2. Desconecte el cable de la bujía. Asegúrese de que todas las piezas móviles se han detenido.
3. (**Figura 13**) Lubrique el **accesorio Zerk (1)** (si lo hay) del eje de la barrena con una pistola engrasadora.
4. (**Figura 23**) Alinee el agujero de la barrena con el del eje de la barrena. Instale el nuevo **perno de seguridad (2)**, el **espaciador (3)** y la **contratuercas (4)**.
5. Conecte el cable de la bujía.

Preparación del quitanieves para guardarlo



ADVERTENCIA: No vacíe el tanque de gasolina estando dentro de un edificio, cerca del fuego o mientras fuma. Los vapores de la gasolina pueden causar explosiones o incendios.

1. Vacíe el tanque de combustible.
2. Deje el motor en marcha hasta que se le acabe la gasolina.
3. Escurra el aceite del motor mientras esté caliente. Llene el motor con aceite nuevo.
4. Quite la bujía del cilindro. Eche una onza de aceite en el cilindro. Jale lentamente la manija de arranque manual para que el aceite proteja el cilindro. Instale una nueva bujía en el cilindro.
5. Limpie completamente el quitanieves.
6. Lubrique todos los puntos de lubricación. Ver la sección de mantenimiento.
7. Asegúrese de que todas las tuercas, pernos y tornillos están bien asegurados. Inspeccione todas las piezas visibles para ver si están dañadas, rotas o gastadas. Cámbielas si es necesario.
8. Cubra las piezas de metal sin protección del alojamiento del lanzador, la barrena y el impulsor con lubricante aerosol contra la oxidación.
9. Ponga la unidad en un local que tenga buena ventilación.
10. Si la máquina debe dejarse al aire libre, póngala sobre bloques para evitar que toque el suelo.

11. Cubra el quitanieves con una cubierta protectora adecuada que no retenga humedad. No use plástico.

Cómo hacer un pedido de piezas de repuesto

Las piezas de repuesto se muestran en las últimas páginas de este manual o en un libro de piezas de repuesto separado.

Use sólo las piezas de repuesto autorizadas o aprobadas por el fabricante. La letra que aparece al final del número de la pieza indica el tipo de acabado de ésta. C para cromado, Z para zinc, PA para conjunto comprado (Purchased Assembly). Es importante que incluya esta información cuando pida una pieza de repuesto. No use aditamentos ni accesorios que no sean específicamente recomendados para esta unidad. Para obtener las piezas de repuesto apropiadas, debe proporcionar el número del modelo de su quitanieves (vea la placa de datos).

Las piezas de repuesto, con la excepción del motor, la transmisión, el eje transversal o el diferencial, están disponibles en la tienda donde se compró el quitanieves o en un centro de servicio recomendado por la tienda o en un distribuidor central de piezas para cortacésped de Murray, Inc., enumerado en la lista que se encuentra al final de este manual de instrucciones.

Si no puede conseguir piezas de repuesto o servicio de la manera indicada arriba, entonces comuníquese con:

HAYTER LIMITED,
Service Department,
Spellbrook,
Bishop's Stortford,
Hertfordshire. CM23 4BU.

MURRAY, INC.
International Sales
P.O. Box 268
Brentwood, Tennessee USA 37024
1-800-251-8007
Fax (615) 373-6633 No se aceptarán llamadas con cobro revertido.

Las piezas de repuesto para el motor, el eje transversal o la transmisión, están disponibles en uno de los centros de servicio autorizados por el fabricante, los que encontrará en las páginas comerciales de su guía de teléfonos. Además, consulte las garantías individuales del motor o de la transmisión para pedir las piezas de repuesto.

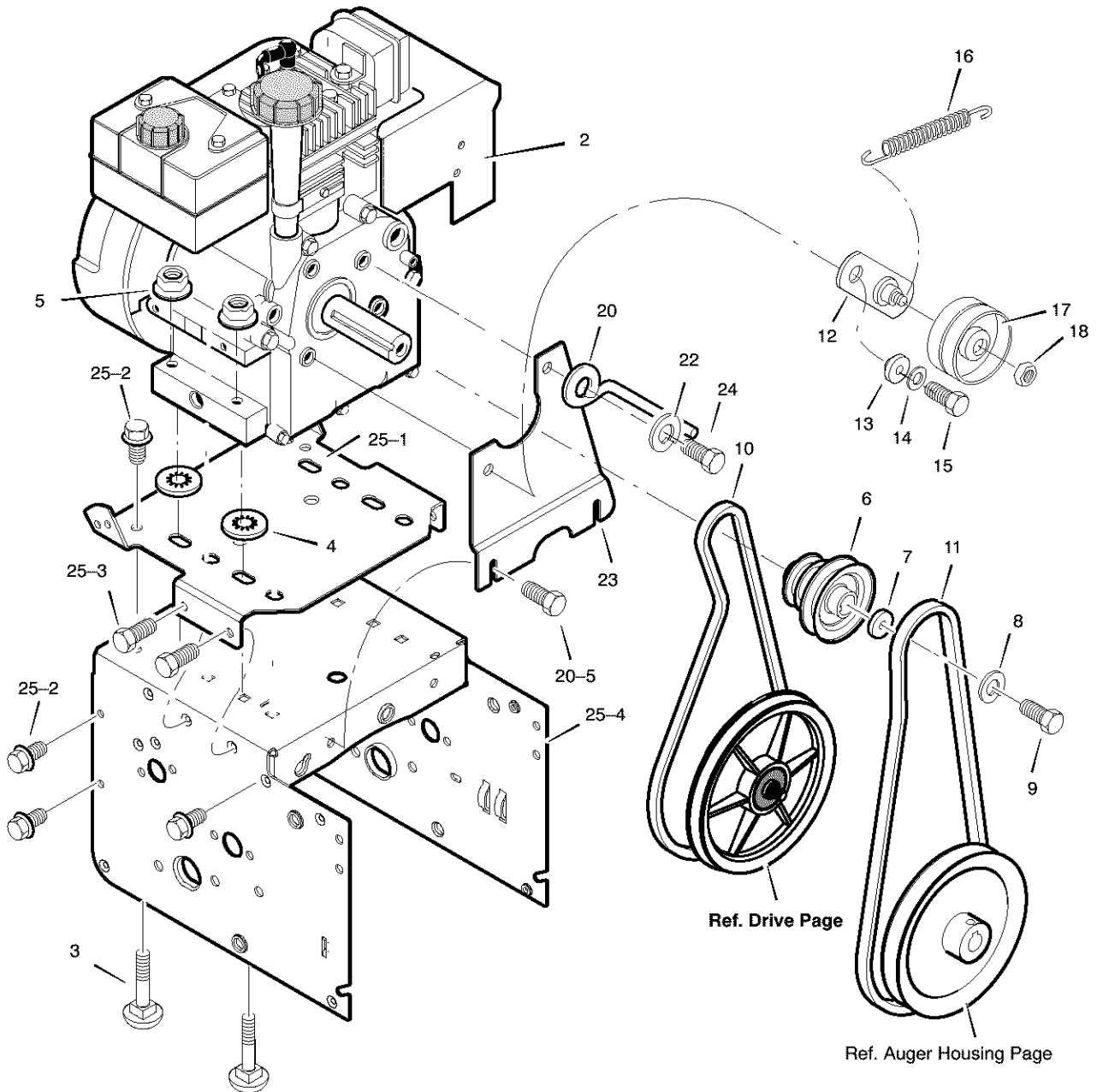
Cuando haga un pedido por favor envíe la siguiente información:

- (1) Número de modelo
- (2) Número de serie
- (3) Número de pieza
- (4) Cantidad.

TABLA DE LOCALIZACIÓN Y REPARACIÓN DE AVERÍAS

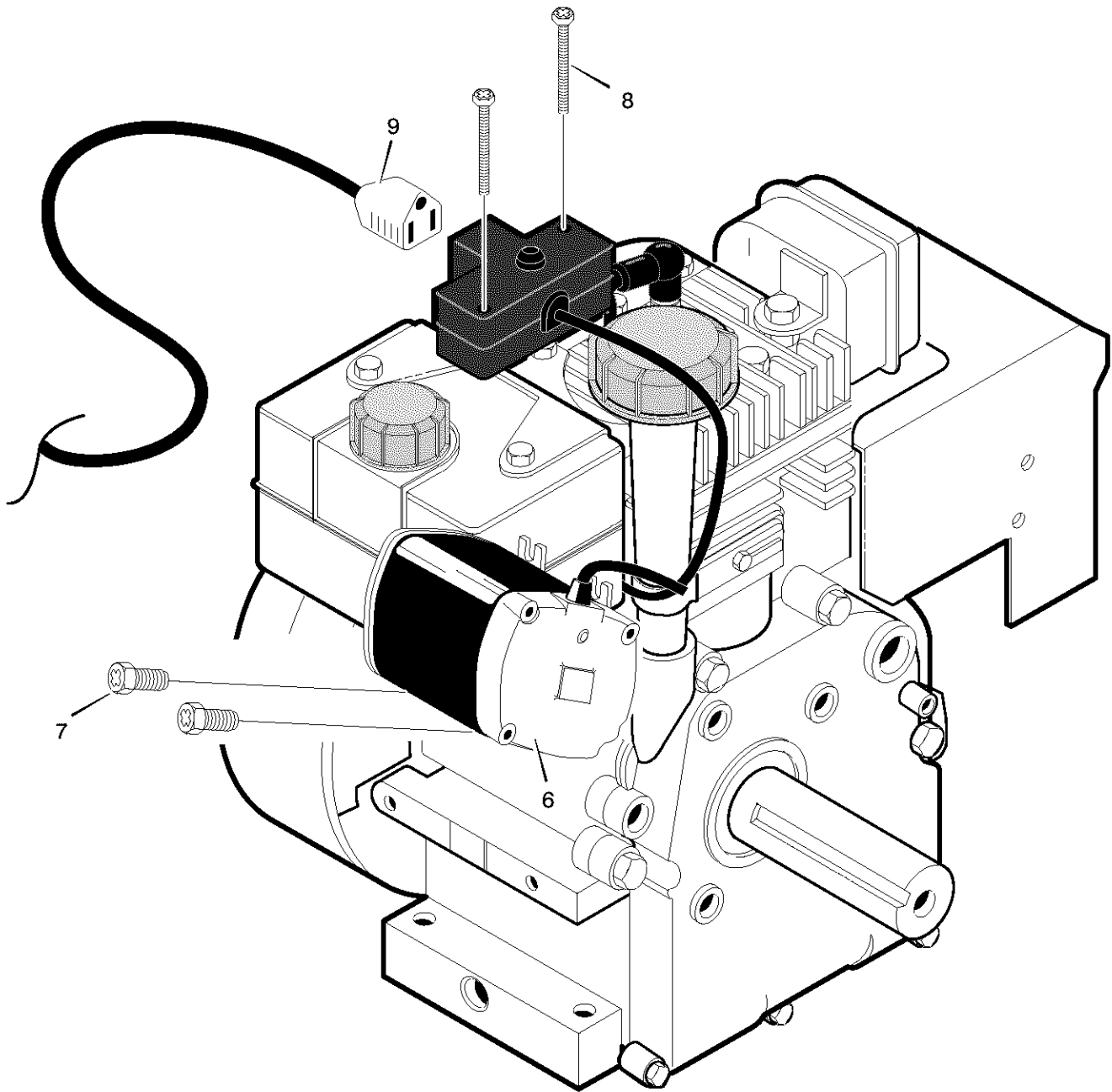
PROBLEMA	CAUSA	CORRECCIÓN
Dificultad al arrancar	Bujía defectuosa.	Cambie la bujía.
	Agua o suciedad en el sistema de combustible.	Use el escurridor de la taza del carburador para enjuagar y volver a llenar el tanque con combustible fresco.
El motor funciona erráticamente	Línea de combustible bloqueada, tanque de gasolina vacío, o gasolina añeja.	Limpie la línea de combustible; revise el suministro de combustible; póngale gasolina fresca.
El motor se para	La unidad está funcionando con la palanca de cebado en posición de CEBADO (CHOKE).	Ponga la palanca de cebado en posición de MARCHA (RUN).
El motor funciona erráticamente; Perdida de potencia	Agua o suciedad en el sistema de combustible.	Use el escurridor de la taza del carburador para enjuagar y volver a llenar el tanque con combustible fresco.
Vibración excesiva	Piezas sueltas: impulsor dañado	Apague el motor inmediatamente y desconecte el cable de la bujía. Apriete los pernos y haga las reparaciones necesarias. Si la vibración continúa, haga que un mecánico competente le haga servicio a la unidad.
La unidad no se mueve por sí sola	La correa propulsora está suelta o dañada.	Cambie la correa propulsora.
	Ajuste incorrecto del cable del propulsor de tracción	Ajuste el cable del propulsor de tracción.
	Rueda de fricción gastada o dañada.	Cambie la rueda de fricción.
La unidad no lanza nieve	La correa del propulsor de la barrena está suelta o dañada.	Ajuste la correa del propulsor de la barrena; cámbiela si está dañada.
	El cable de control de la barrena no está ajustado correctamente.	Ajuste el cable de control de la barrena
	Los pernos de seguridad están rotos	Cambie los pernos de seguridad
	El tubo de descarga está tapado.	Pare el motor inmediatamente y desconecte el cable de la bujía. Limpie el tubo de descarga y el interior del alojamiento de la barrena.
	Objeto foráneo atascado en la barrena	Pare el motor inmediatamente y desconecte el cable de la bujía. Quite el objeto de la barrena.

- Ⓤ ***Parts List*** - Model 629108x61D
- ⓕ ***Liste de pièces*** - Modèle 629108x61D
- ⓓ ***Teileliste*** - Modell 629108x61D
- Ⓡ ***Elenco pezzi*** - Modello 629108x61D
- Ⓝ ***Deleliste*** - Modell 629108x61D
- Ⓢ ***Reservdelislista*** - Modell 629108x61D
- Ⓢⓕ ***Varaosaluettelo*** - Malli 629108x61D
- ⓔ ***Lista de partes*** - Modelo 629108x61D



Key No.	Part No.	Description
2	-----	ENGINE
3	002x97	BOLT, CARRIAGE 5/16-18
4	028x76	RETAINER, PUSH
5	710026	NUT, HEX 5/16-18
6	1501109	PULLEY, ENGINE
7	710247	WASHER
8	71063	WASHER .38ID
9	71015	SCREW, 3/8-24X1.00
10	579932	BELT, V 3L 33.13LG
11	585416	BELT, V 4L 38.1MF16" 5-10
12	1501112 YZ	BRACKET ASSEMBLY, IDLER
13	1501065	BUSHING, IDLER BRACKET
14	71060	WASHER, SPLIT
15	910828	SCREW 5/16-24 X 1.00

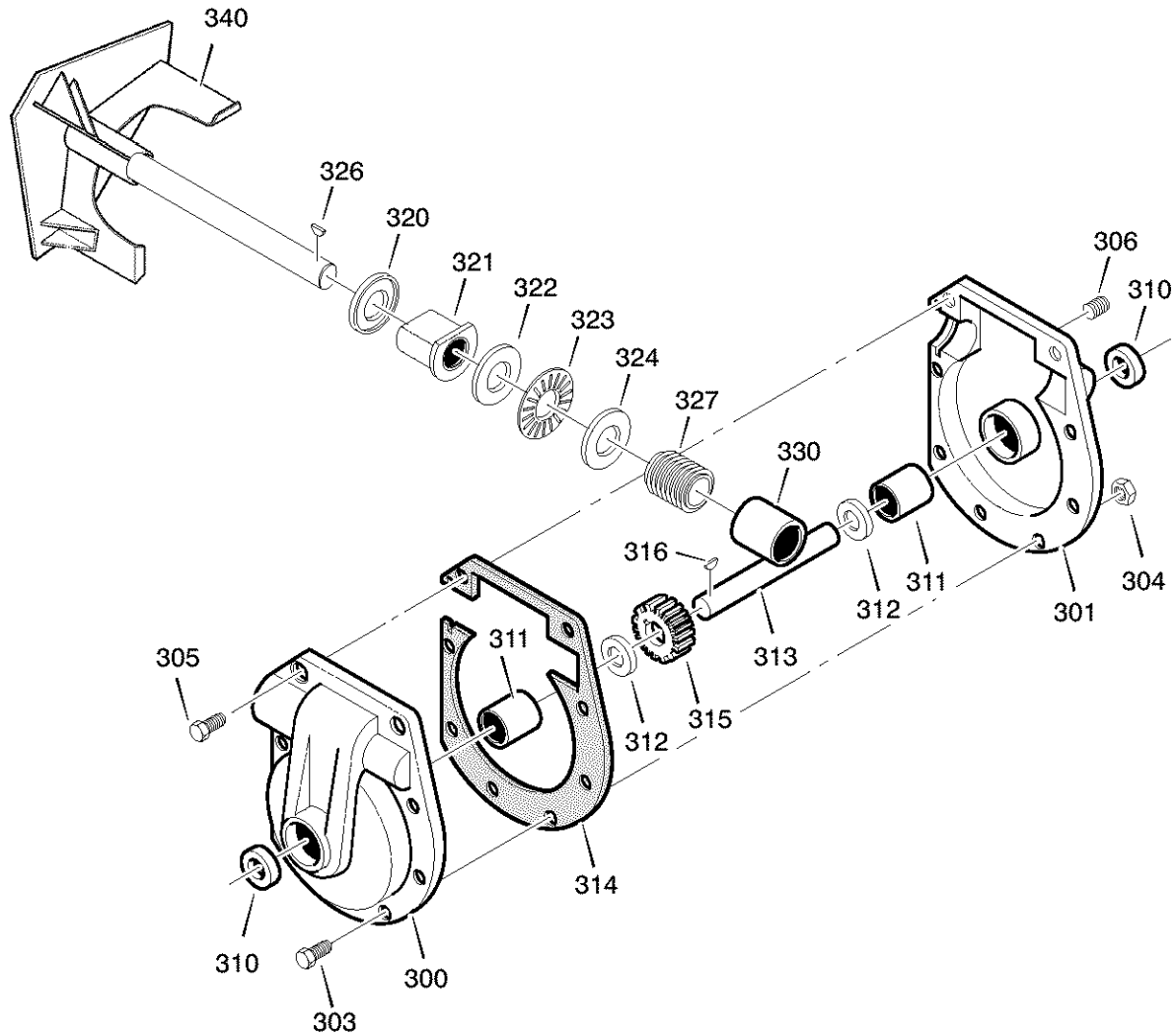
Key No.	Part No.	Description
16	165x164	SPRING, IDLER TRACTION DRIVE
17	50793	PULLEY, IDLER
18	590	NUT, JAM 3/8-16
20	1501201	GUIDE, BELT
22	71060	WASHER, SPTLK .31X.58X.08
23	1501482	PLATE, ANTI VIBRATION
24	910828	SCREW, 5/16-24X 1.00
25	-----	FRAME ASSEMBLY
25-1	1501062E540	PLATE, ENGINE MOUNT
25-2	310169	SCREW, TAP 1/4-20 X .63
25-3	25x020	SCREW, TAP 5/16-18 X .50
25-4	1501049E540	FRAME, MOTOR BOX
25-5	26x263	SCREW
—	F-031065L	OWNER'S MANUAL



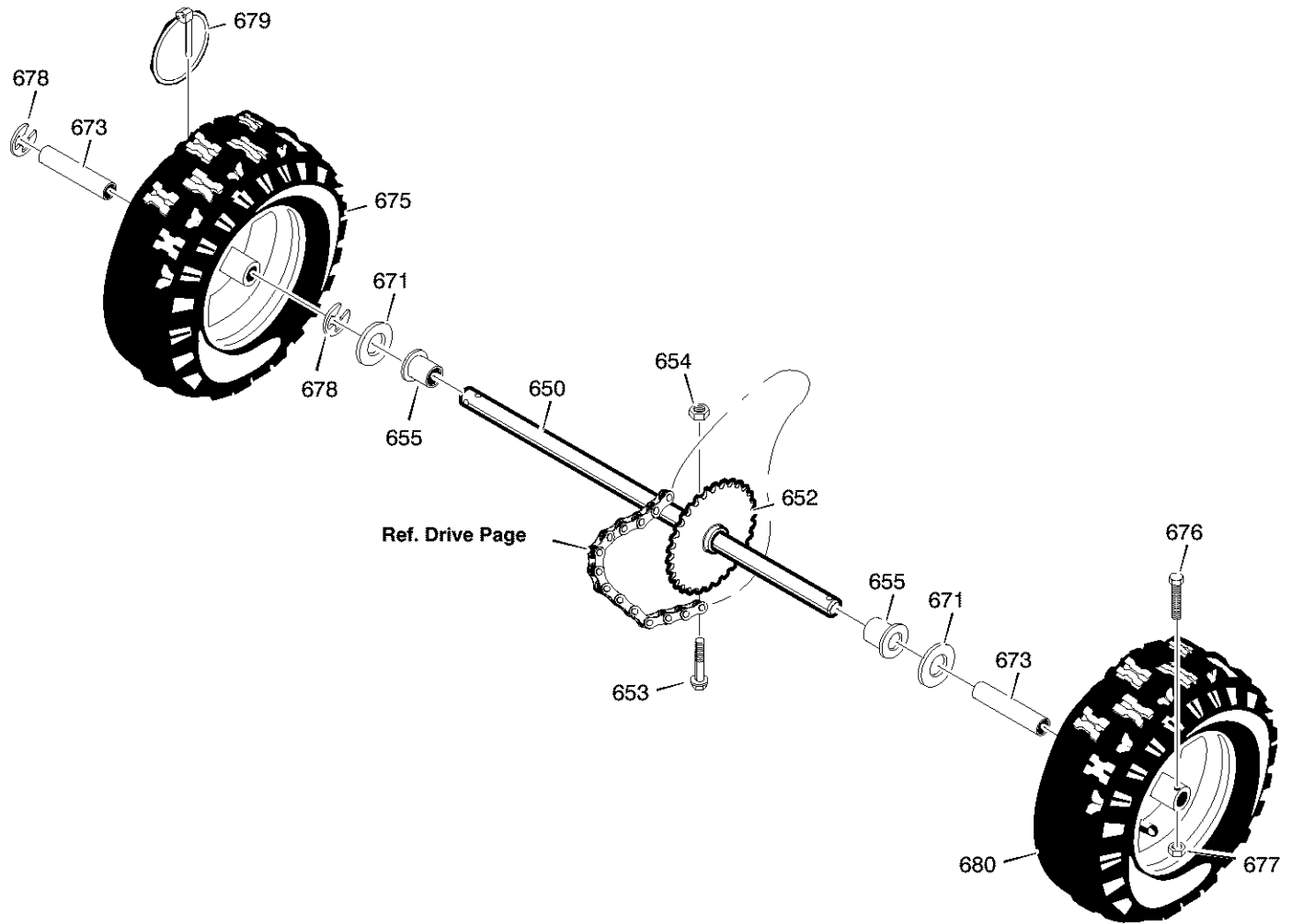
Key No.	Part No.	Description
6	761290	MOTOR, STARTER
7	6216	SCREW
8	6217	SCREW
9	761332	CORD, STARTER

MODEL 629108x61D

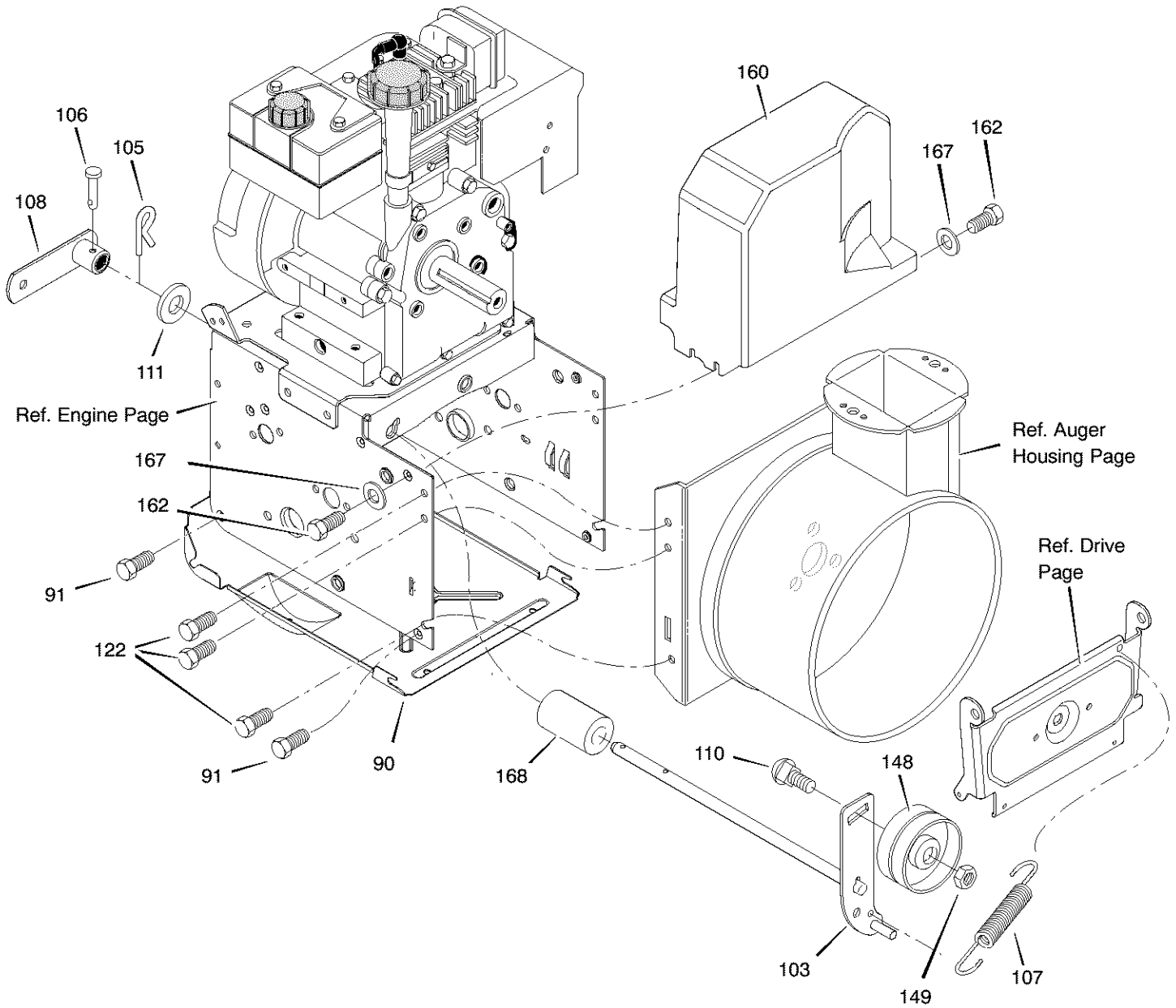
REPAIR PARTS GEAR CASE



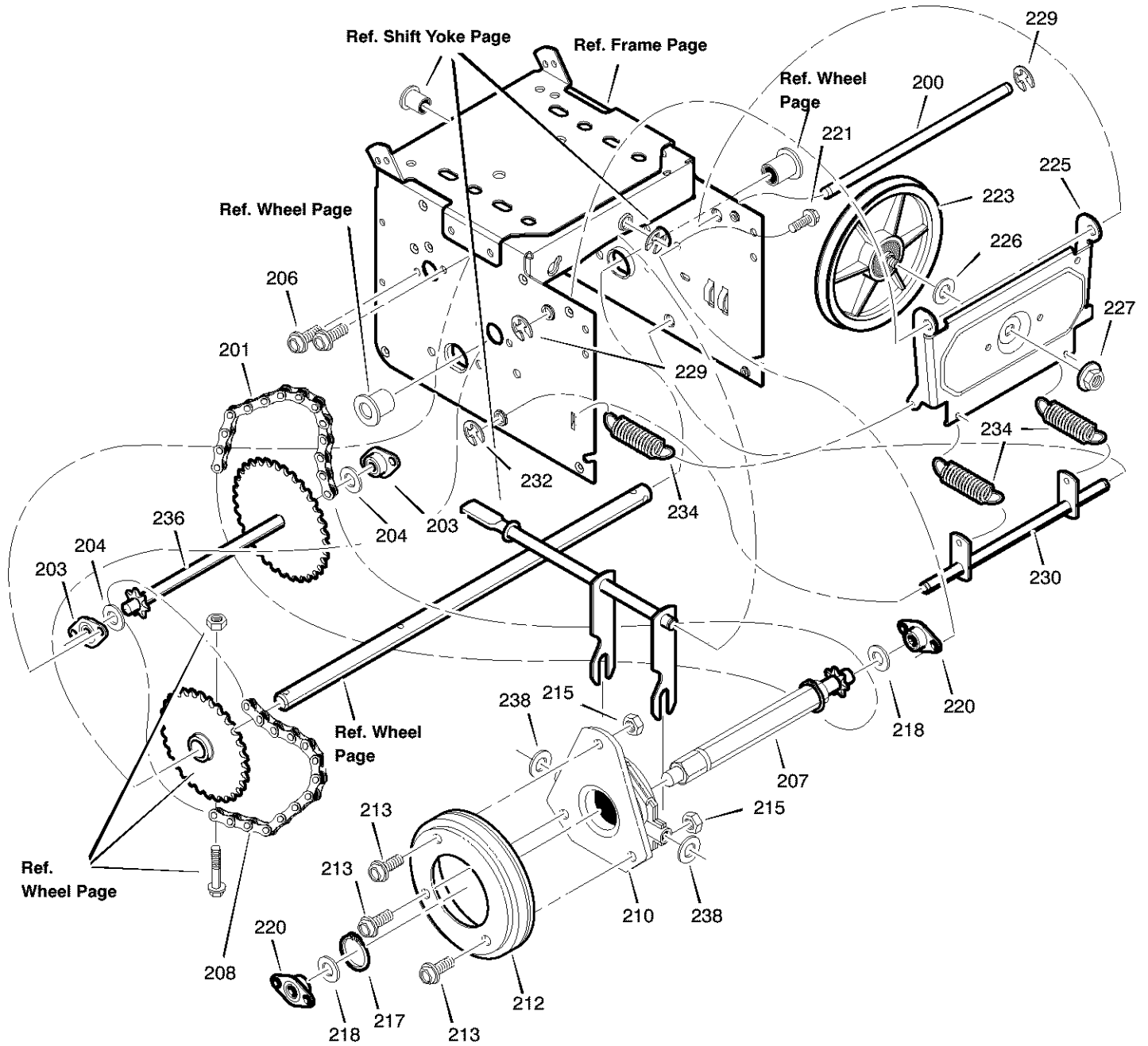
Key No.	Part No.	Description	Key No.	Part No.	Description
300	896	CASE, GEAR, RH	316	73905	KEY, WOODRUFF #91
301	895	CASE, GEAR, LH	320	53737	RING, QUAD 0.924 ID
303	910828	SCREW, 5/16-24 x 1.00	321	583126	BEARING, FLANGE
304	71100	NUT, 5/16-24	322	48275	WASHER, FLAT
305	330434	SCREW, 5/16-24 x 1.50	323	50684	BEARING, ROLLER
306	53749	PLUG, PIPE 0.25-18	324	48275	WASHER, FLAT
310	780151	SEAL, OIL	326	50795	KEY
311	53743	BEARING, SLEEVE	327	53732	WORM
312	53748	WASHER, FLAT	330	53731	BEARING, SLEEVE
313	760528	SHAFT, AUGER OUTPUT	340	1501147E701	IMPELLER
314	897	GASKET, GEAR BOX	—	333431	10oz TUBE LUBRIPLATE
315	53730	WORM GEAR			



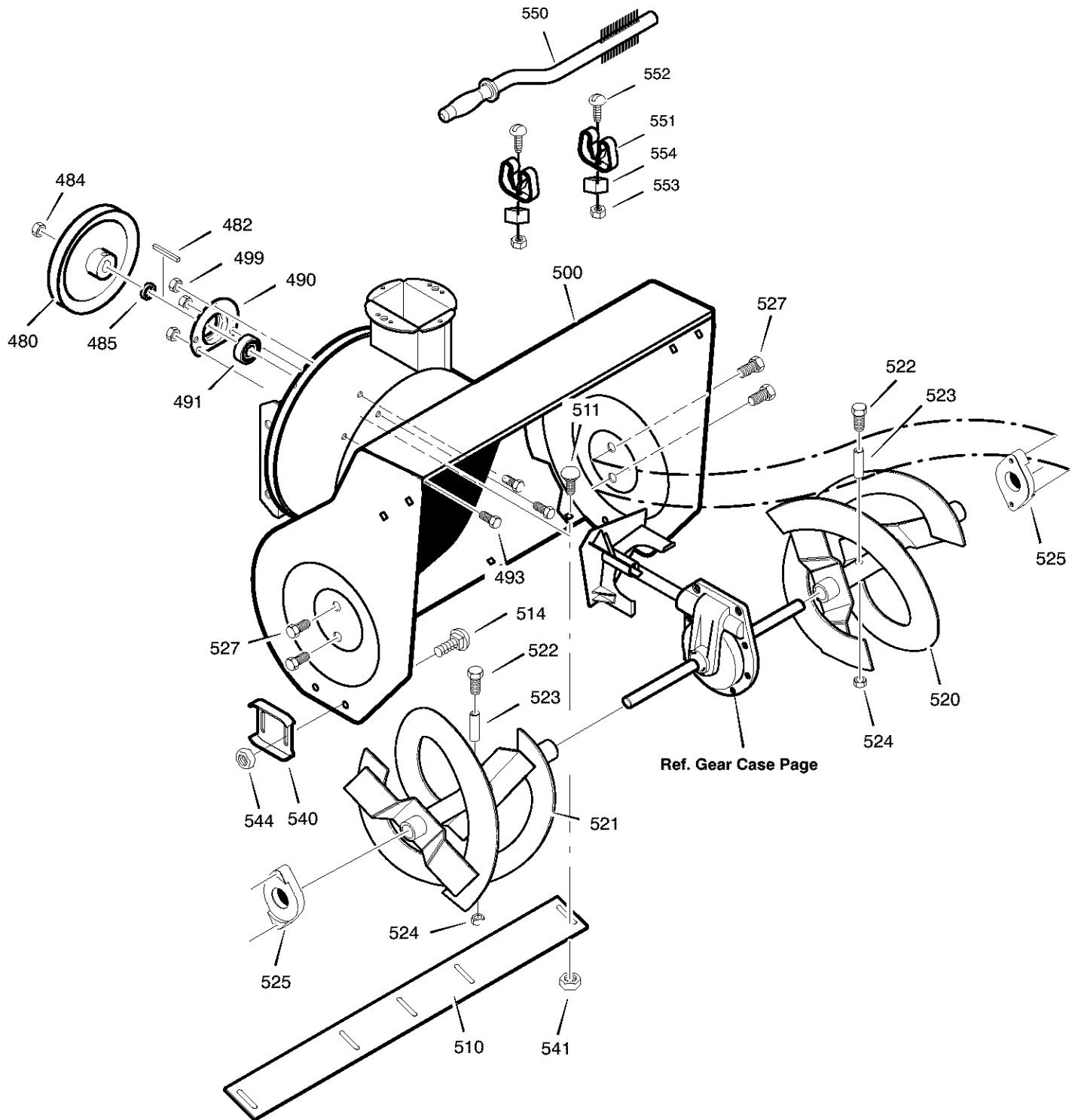
Key No.	Part No.	Description
650	1501563	SHAFT, AXLE
652	1501089	SPRKT & HUB
653	01x193	SCREW, 1/4-20 x 1.75
654	15x145	NUT, 1/4-20 HEX NYLOCK
655	1501114	BEARING, AXLE
671	712120	FLATWASHER
673	1501138	BUSHING, WHEEL
675	583384	TIRE & RIM, RIGHT
676	577015	SCREW, 1/4-20X1.75 HH
677	15X145	NUT, 1/4-20 HEX NYLOCK
678	239	RING, RET
679	73842	PIN, KLIK .25 X 1.38 DIA
680	583384	TIRE & RIM, LEFT



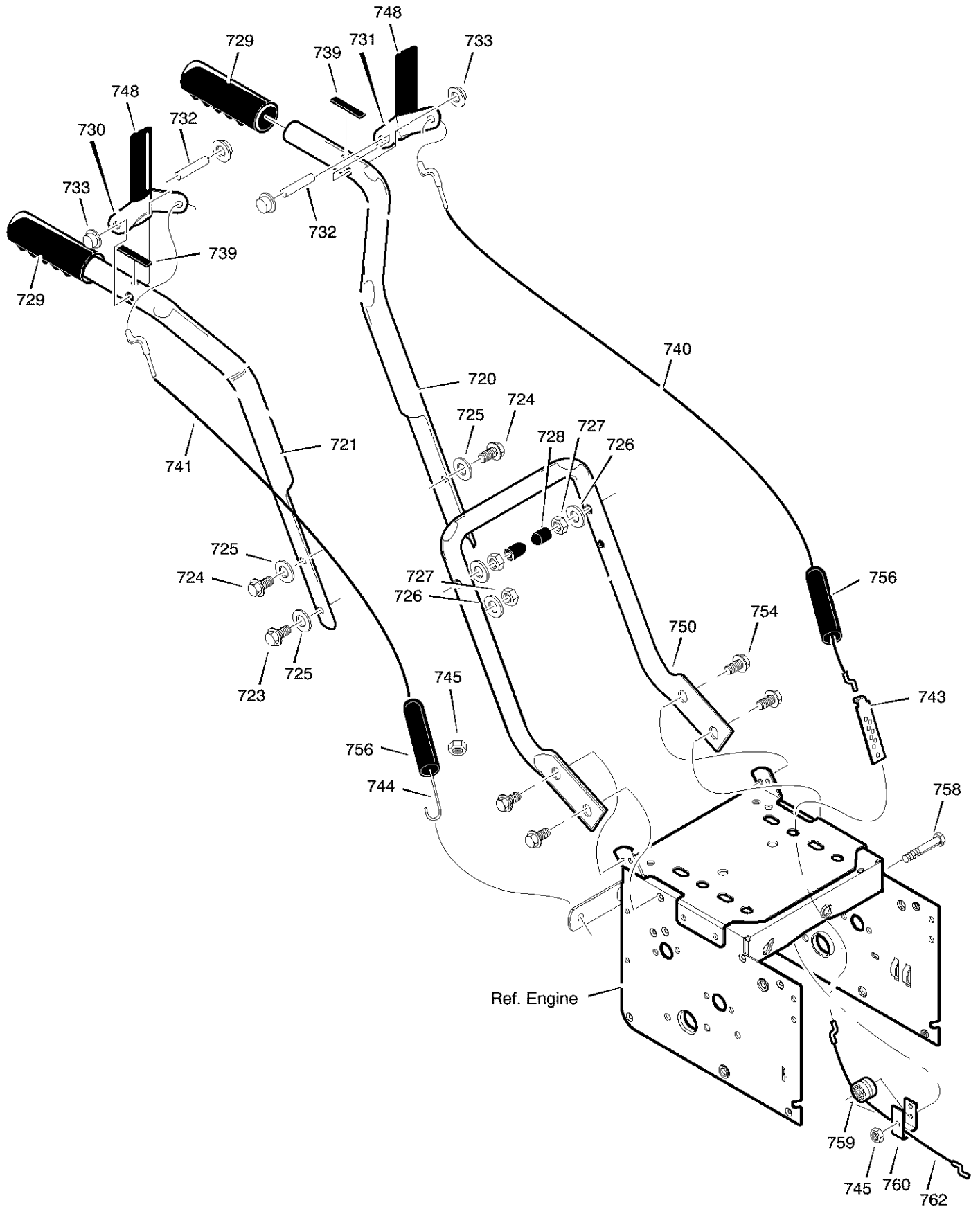
Key No.	Part No.	Description
90	1501055E701	COVER, BOTTOM
91	310169	SCREW, 1/4-20X .63
103	1501226 YZ	IDLER ASSEMBLY, AUGER
105	711682	PIN, HAIR .38DIA X 1.64LG
106	761761	PIN, CLEVIS 3/16" DIA
107	165X159	SPRING, TENSION
108	761675 YZ	ASSY., SPRING ATTACH
110	585781	BOLT, 3/8-16X1.25 CARR.
111	711617	WASHER, FLAT
122	780055	SCREW, TAP 5/16-18 X .50
148	50793	PULLEY, IDLER
149	590	NUT, JAM 3/8-16
160	1501053	COVER, BELT
162	26X306	SCREW, TAP
166	71067	WASHER, FLAT
168	1501200	SPACER, AUGER BRACKET



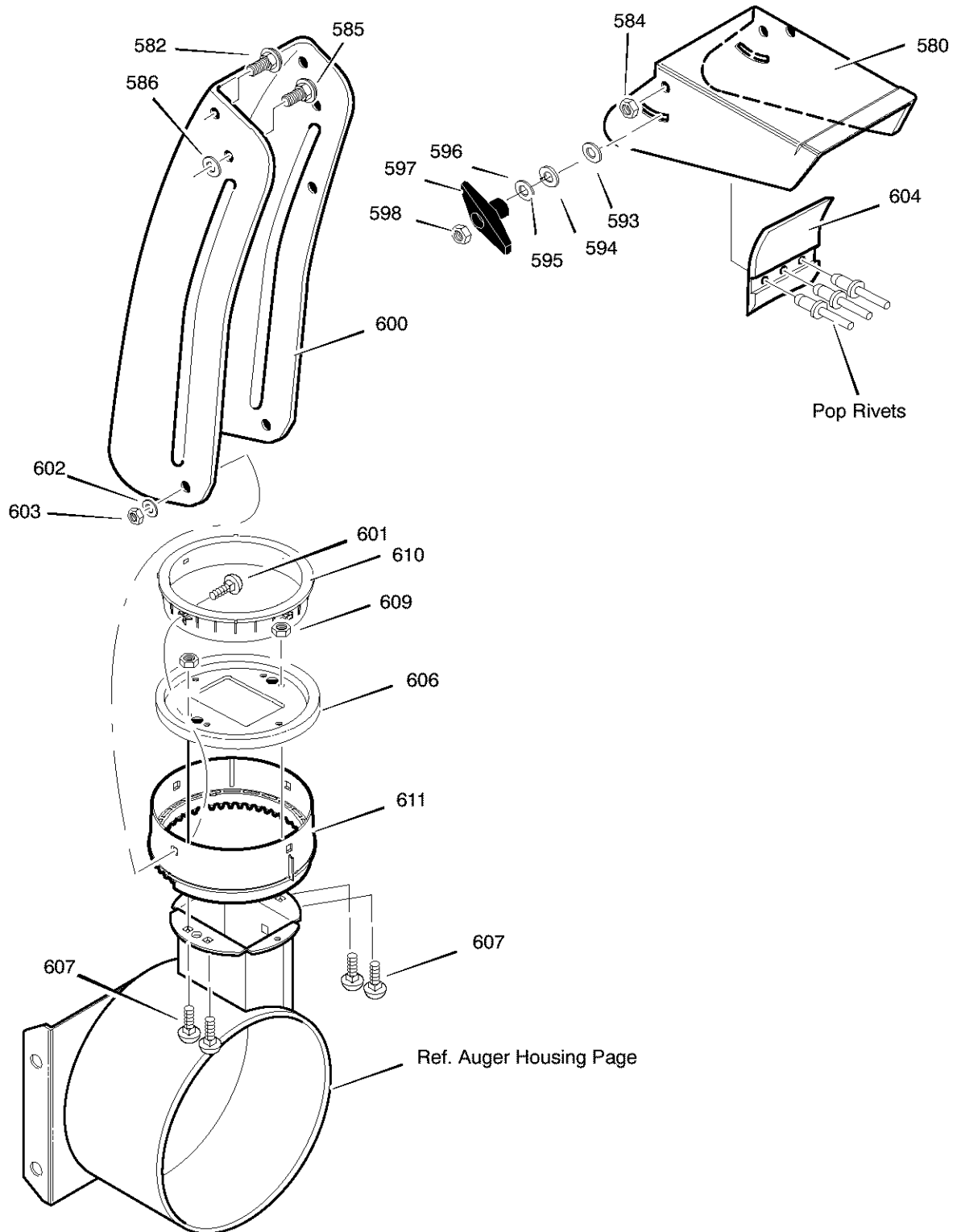
Key No.	Part No.	Description
200	1501092 YZ	LF AXLE, SWING PLATE YZ
201	579851	CHAIN, ROLLER #420x19.00
203	334163	BEARING AND RETAINER, ASSY
204	579858	WASHER
206	780055	SCREW, TAP 5/16-18x0.5
207	1501236	ASSY, HEX SHAFT
208	579868	CHAIN, ROLLER #420x18.00 LG
210	337029	BEARING, TRUNION CLUTCH R
212	1501435	WHEEL, FRICTION DISC
213	001x38	BOLT
215	303008	NUT, KEPS HEX 1/4-20
217	579859	RING, RETEXT
218	579858	WASHER
220	334163	BEARING AND RETAINER, ASSY
221	780055	SCREW, TAP 5/16-18 x .5
223	1501115	FRICTION PULLY
225	1501057 YZ	LF PLATE, SWINGING YZ
226	1501158	SPACER, FRICTION PULLEY
227	15X114	NUT, FLANGE LOCK 3/8-24
229	11X30	RETAINER, RING
230	1501107 YZ	LF ASSY, SPRING LINK YZ
232	11X30	RETAINER, RING
234	165X112	SPRING, EXTENSION
236	1501237	WLD, INTERMED SPROCKET 33T/7
238	71074	WASHER, FLAT



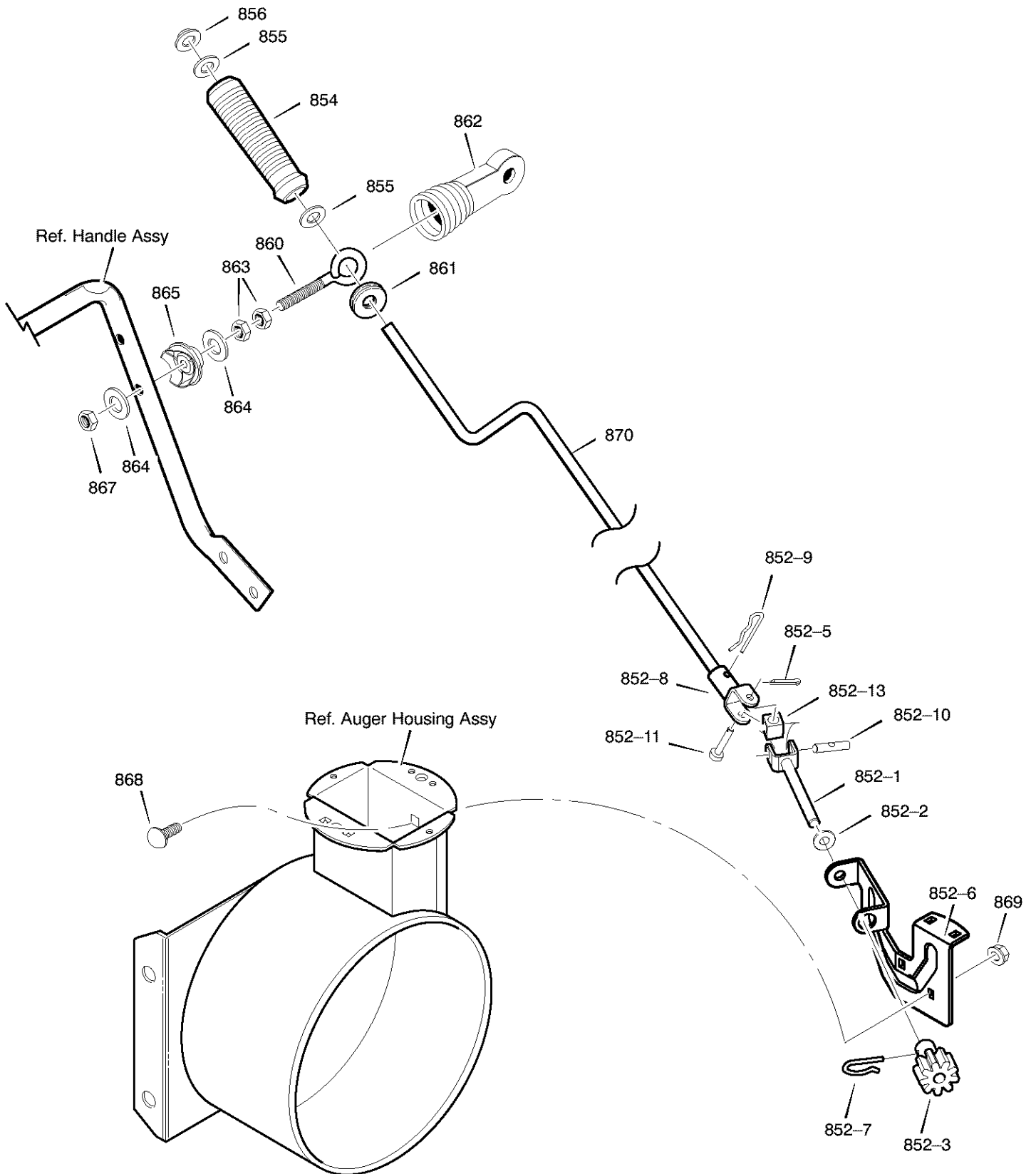
Key No.	Part No.	Description
480	583146	PULLEY, 4L 8.40 OD
482	2001022	KEY, SQUARE 3/16 X 3/4
484	15x112	NUT, 1/2--20
485	1501158	SPACER, FRICTION PULLEY
490	582957 YZ	RETAINER, BALL BRNG
491	43846	BEARING, BALL
493	001X92	BOLT, HEX 5/16--18X .50
499	710026	NUT, 5/16--18 HEXWDFLLK
500	1501713E540	HOUSING, ASSY
510	760655E701	BLADE, SCRAPER
511	340720	BOLT, 5/16--18X.75
514	710026	NUT, 5/16--18
520	760599E701	AUGER, ASSY, LH
521	760600E701	AUGER, ASSY, RH
522	9524	SCREW, 1/4--20 X 1.75
523	3943	SPACER, SLEEVE
524	73826	NUT, 1/4--20
525	53757	BEARING, FLANGE
527	70984	SCREW, 5/16--18X .75
540	762377E701	SKID, HEIGHT ADJUST
541	340720	BOLT, 5/16--18 X .75
544	710026	NUT, 5/16--18
550	1501576	BRUSH, CLEANOUT
551	1501672	CLIP, RETAINER
552	06x115	SCREW
553	15x146	NUT
554	578063	BLOCK
--	1501216	KIT, SHEAR BOLT



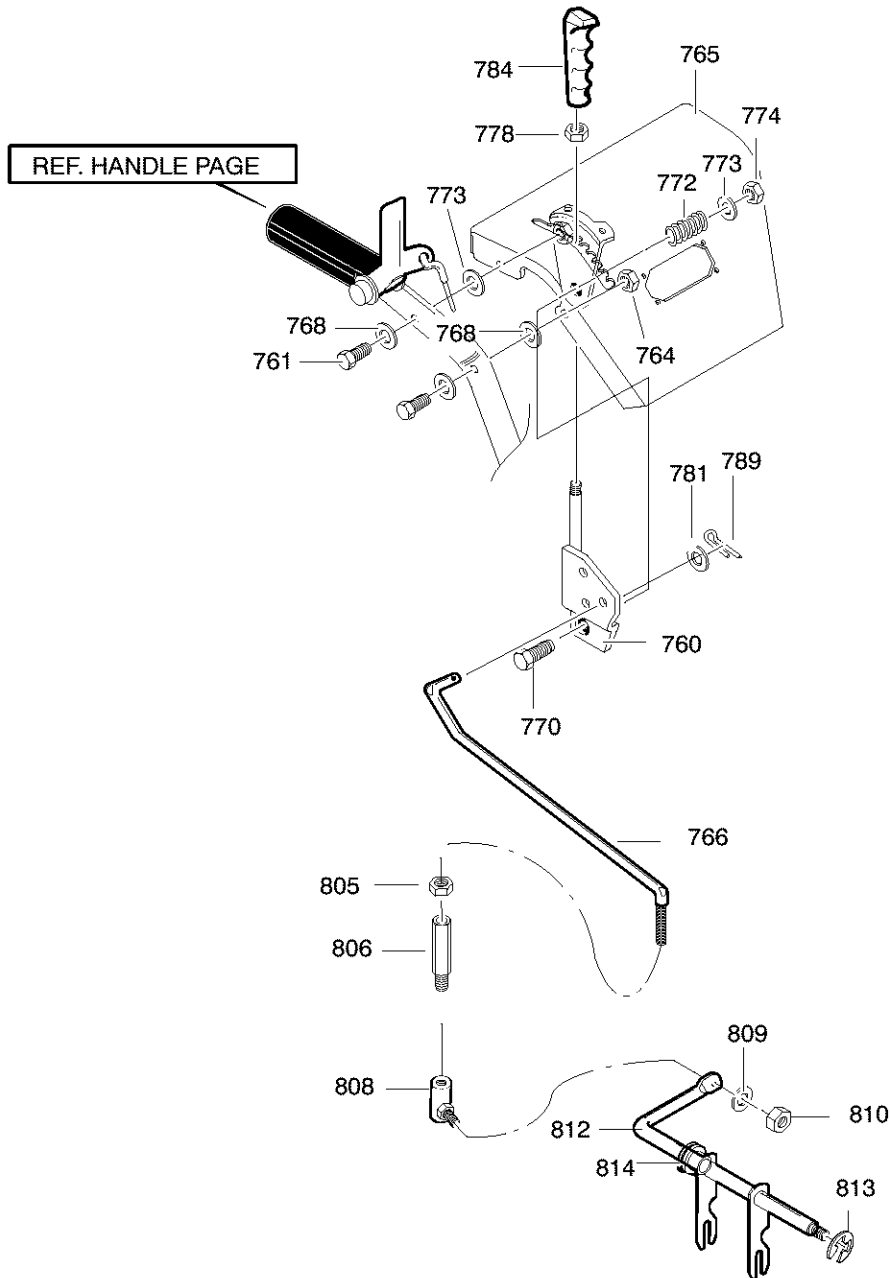
Key No.	Part No.	Description
720	5113E701	HANDLE, UPPER LH
721	5115E701	HANDLE, UPPER RH
723	71007	SCREW, 3/8-16 X 2.00
724	7288	SCREW, 3/8-16 X 3.00
725	71072	WASHER, FLAT
726	71062	WASHER
727	71044	NUT, 3/8-16 REGHEX
728	7289	STOP, PLASTIC
729	50792	GRIP-HANDLE FINGER
730	9729E701	LEVER, ASSY CLUTCH DRIVE RH
731	9732E701	LEVER, ASSY CLUTCH DRIVE LH
732	760074	PIN, PIVOT CLUTCH
733	3535	NUT, PUSH ON CAP
739	4049	BUMPER, RECTANGLE
740	1501124	CABLE, AUGER DRIVE
741	761590	CABLE, AUGER CLUTCH
743	313441	BRACKET, CABLE ADJUSTER
744	1673	SPRING, AUGER CLUTCH
745	15x145	NUT, 1/4-20
748	336626	GRIP
750	5543E701	HANDLE, LOWER
754	25x021	SCREW
756	308146	BOOT, CABLE
758	001798	BOLT, HEX 1/4-20 X 1.50 YZ
759	579860	SPOOL-CABLE, AUGRT CLUTCH
760	1501059 YZ	BRACKET, CABLE SPOOL YZ
762	1501122	CABLE, LOWER DRIVE 12"



Key No.	Part No.	Description
580	761070E701	CHUTE, UPPER W/REMOTE
582	578088	SCREW, 5/16-18 X.75
584	71038	NUT
585	578088	SCREW, 5/16-18 X.75
593	6711	WASHER, PLASTIC
594	71071	WASHER, FLAT
595	71060	WASHER, SPLIT
596	71071	WASHER, FLAT
597	57171	KNOB, T 3.00
598	15X144	NUT
600	761328E701	CHUTE, LOWER / GUARD
601	2x100	BOLT
602	71071	WASHER, FLAT
603	71038	NUT
604	762322	FLAP
606	585214 YZ	CHUTE COLLAR
607	02x101	BOLT
609	15x145	NUT
610	337227	RETAINER, RING INNER
611	1501282	RETAINER, RING OUTER



Key No.	Part No.	Description
852-1	1501309 YZ	ASSEMBLY, YOKE & ROD
852-2	313431	WASHER, CURVED SPRING
852-3	1501067	GEAR, CHUTE ROTATION 9T
852-5	579493	PIN, COTTER
852-6	1501306E701	BRACKET, GEAR MOUNT
852-7	1501293	PIN, HAIR
852-8	1501075 YZ	ASSEMBLY, YOKE ADAPTER YZ
852-9	711682	PIN, HAIR
852-10	578060	PIN, UNIVERSAL JOINT
852-11	578309	PIN, CLEVIS
852-13	578063	HOUSING, UNIVERSAL
854	51443	KNOB, SLEEVE
855	309312	FLATWASHER
856	73664	NUT, PUSH ON 3/8"
860	581618	EYE BOLT 3/8-16X6.00
861	148	GROMMET, EYE BOLT
862	308145	BOOT, EYE BOLT
863	71045	NUT, 3/8-16 HEXJAM
864	71072	FLATWASHER .406X.81X.066
865	309344	ADAPTER, BOOT
867	71046	NUT, 3/8-16 HEXNYL
868	002X98	BOLT, CARRIAGE 1/4-20 X 1.00
869	15x145	NUT, 1/4-20
870	1501074 YZ	CRANK, ASSY CHUTE

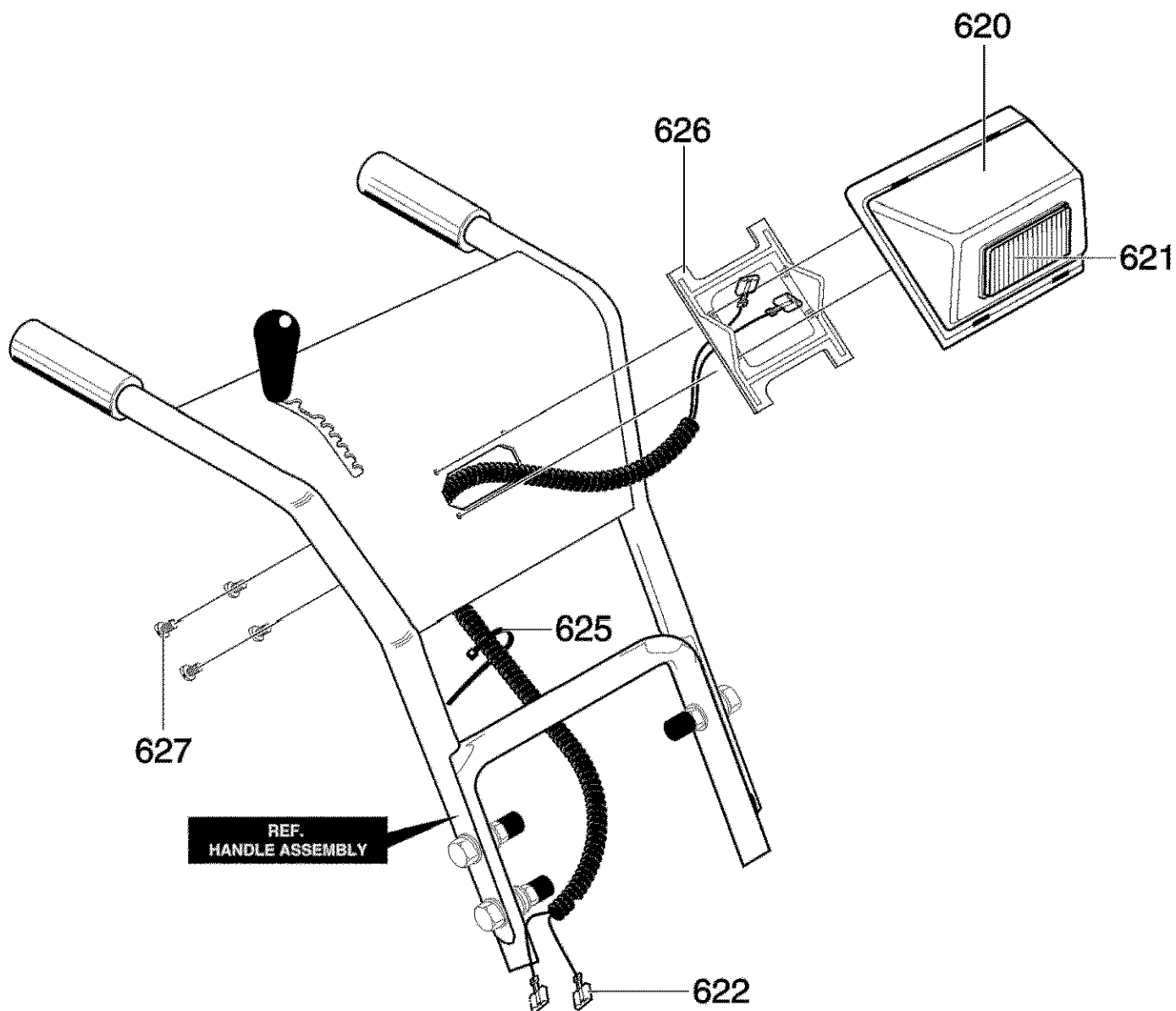


Key No.	Part No.	Description
760	1501632 YZ	HANDLE ASSY SPD CTRL
761	302900	SCREW, 5/16-18X1.75
764	710026	NUT, 5/16-18
765	760328E540	ASSY. BAY PANEL - LT
766	1501581	ROD, SPEED CONTROL
768	71071	WASHER
770	71007	SCREW 3/8-16X2.00
772	50786	SPRING
773	71072	FLATWASHER
774	71046	NUT, 3/8-16
778	71044	NUT, 3/8-16

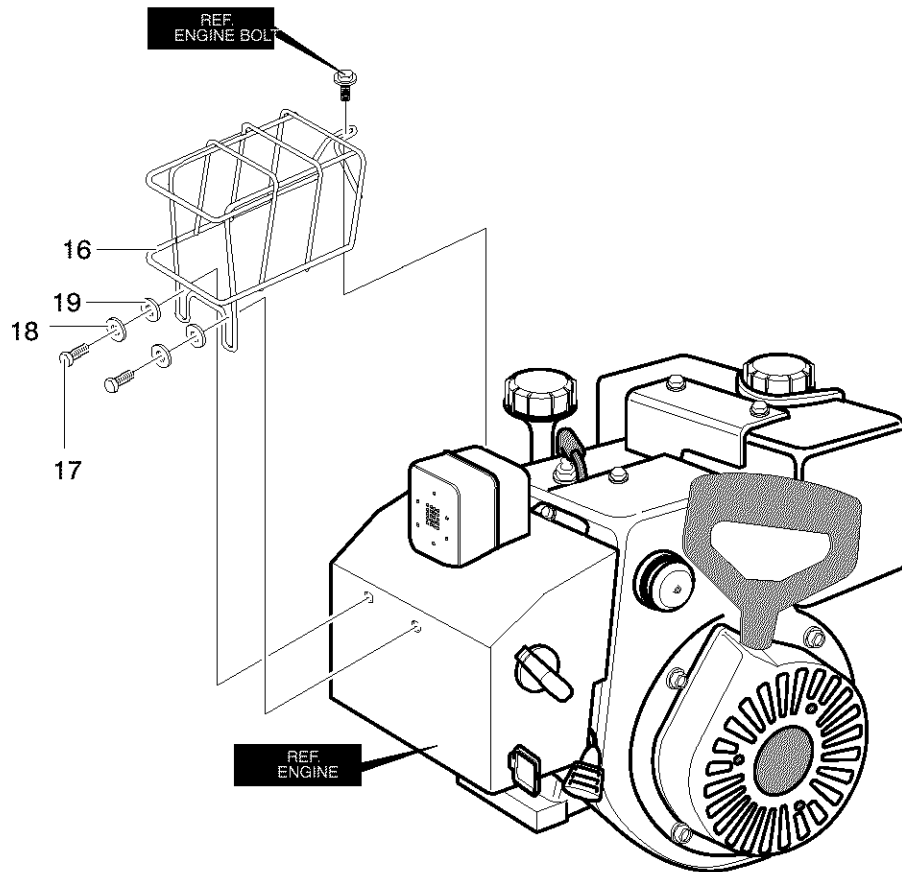
Key No.	Part No.	Description
781	71071	FLATWASHER
784	304728	HANDLE, GRIP
789	71081	PIN, COTTER
805	71042	NUT, 5/16-18
806	6352	ADAPTER, SPEED ROD -YZ
808	50782	BALLJOINT, STEEL -YZ
809	71060	WASHER
810	71042	NUT, 5/16-18
812	1501110 YZ	ROD, ASSY YOKE
813	11X30	RING, RETAINER
814	579944	BEARING, FLANGE

MODEL 629108x61D

REPAIR PARTS HEADLIGHT



Key No.	Part No.	Description
620	584727	CASE, HEADLIGHT
621	762343	HEADLIGHT ASSY
622	1501036	WIRE, HARNESS
625	071372	CABLE TIE
626	584728	BRACKET, HEADLAMP
627	316042	SCREW



Key No.	Part No.	Description
16	304436	GUARD, MUFFLER
17	304807	SCREW
18	304810	WASHER
19	304809	WASHER

-
- (D) EG–Konformitätserklärung**
entsprechend der Richtlinie 98/37/EG
entsprechend der Richtlinie 89/336/EWG
entsprechend der Richtlinie 2000/14/EG
- (GB) EC Certificate of Conformity**
conforming to Directive 98/37/EC
conforming to Directive 89/336/EEC
conforming to Directive 2000/14/EC
- (F) Déclaration de conformité pour la CEE**
conforme à la directive 98/37/CE
conforme à la directive 89/336/CEE
conforme à la directive 2000/14/CE
- (I) Certificato di conformita' comunitario**
conforme alla Direttiva 98/37/CE
conforme alla Direttiva 89/336/CEE
conforme alla Direttiva 2000/14/CE
- (E) Declaración de Conformidad**
según la directiva 98/37/CE
según la directiva 89/336/CEE
según la directiva 2000/14/CE
- (NL) EG–Conformiteitsverklaring**
overeen komstig de Richtlijn 98/37/EG
overeen komstig de Richtlijn 89/336/EEG
overeen komstig de Richtlijn 2000/14/EG
- (P) Declaração de conformidade**
conforme com a Diretiva 98/37/CE
conforme com a Diretiva 89/336/CEE
conforme com a Diretiva 2000/14/CE
- (S) EU–konformitetsintyg**
överensstämmande med direktiv 98/37/EG
överensstämmande med direktiv 89/336/EEG
överensstämmande med direktiv 2000/14/EG
- (N) EU–konformitetserklæring**
overholder direktiv 98/37/EF
overholder direktiv 89/336/EØS
overholder direktiv 2000/14/EF
- (DK) EU–overensstemmelseserklæring**
overholder direktiv 98/37/EF
overholder direktiv 89/336/EØF
overholder direktiv 2000/14/EF
- (SF) EY:n vaatimustenmukaisuustodistus**
naudattaa direktiiviä 98/37/EY
naudattaa direktiiviä 89/336/ETY
naudattaa direktiiviä 2000/14/EY

erklären in alleiniger Verantwortung, daß das Produkt
 declare in sole responsibility, that the product
 déclarons sous notre seule responsabilité que le produit
 dichiariamo sotto la nostra piena responsabilità che il prodotto
 declaramos bajo responsabilidad propia que el producto
 verklaren enig in verantwoording, dat het produkt
 declaramos com responsabilidade própria que o produto
 intyggar med ensamansvar att nedanstående produkt
 erklærer som eneansvarlig at produktet
 erklærer som eneansvarlig, at produktet
 ilmoitamme yksin vastaavamme, että tuote

629108x61D

(Fabrikat, Typ) (Make, model) (Marque, modèle) (Marca, tipo)
 (Marca, modelo) (Fabricant, type) (Marca, modelo) (Fabrikat, typ)
 (Fabrikat, type) (Mærke, type) (Merkki, malli)

auf das sich diese Erklärung bezieht, den einschlägigen Anforderungen der Richtlinie 98/37/EG, der Richtlinie 2000/14/EG und der Richtlinie 89/336/EEG und aktuellen Ergänzungen entspricht
 to which this certificate applies, conforms to the requirements of Directive 98/37/EC, Directive 2000/14/EC and Directive 89/336/EEC and current amendments

faisant l'objet de la déclaration est conforme aux prescriptions stipulées dans la Directive 98/37/CE, la directive 2000/14/CE et la directive 89/336/CEE et ses modifications courantes

cui la presente dichiarazione si riferisce, è conforme ai requisiti di Direttiva 98/37/CE, della Direttiva 2000/14/CE e della Direttiva 89/336/CEE e correnti emendamenti

al cual se refiere la presente declaración corresponde a las exigencias de la directiva 98/37/CE, de la directiva 2000/14/CE y de la directiva 89/336/CEE y enmiendas vigentes

waarop deze verklaring betrekking heeft, overeenkomt met de eisen van de richtlijn 98/37/EG, de richtlijn 2000/14/EG en de richtlijn 89/336/EEG en huidige wijzigingen

ao que se refere esta declaração corresponde às exigências da Directiva 98/37/CE, Directiva 2000/14/CE e Directiva 89/336/CEE e actuais alterações

för vilket detta intyg gäller, uppfyller kraven enligt direktiv 98/37/EG, direktiv 2000/14/EG och direktiv 89/336/EEG samt allmänna tillägg som denne erklæring vedrører, oppfyller krav i direktiv 98/37/EF, direktiv 2000/14/EF og direktiv 89/336/EØS og aktuelle vedlegg som denne erklæring vedrører, overholder krav i direktiv 98/37/EF, direktiv 2000/14/EF og direktiv 89/336/EØF og ændringer johon tämä ilmoitus liittyy, vastaa direktiivissä 98/37/EY, direktiivissä 2000/14/EY, direktiivissä 89/336/ETY ja nykyisissä muutoksissa mainittuja vaatimuksia

Zursachgerechten Umsetzung der EG-Richtlinien wurde(n) folgende Norm(en) und/oder technische Spezifikation(en) herangezogen: ISO 8437; 1994, BS EN 1033:1996, EN ISO 3744;1995, EN ISO 11201; 1996

To effect correct application of the EEC Directives, the following standards and/or technical specifications were consulted: ISO 8437; 1994, BS EN 1033:1996, EN ISO 3744;1995, EN ISO 11201; 1996

Pour mettre en pratique les Directives de la CEE, il a été tenu compte de la/des norme(s) et/ou de la/des spécification(s) technique(s) suivante(s): ISO 8437; 1994, BS EN 1033:1996, EN ISO 3744;1995, EN ISO 11201; 1996

Per un'opportuno riscontro della normativa CEE, è (sono) stata(e) consultata(e) la(e) seguente(i) norma(e) e/o specifica(che) tecnica(che): ISO 8437; 1994, BS EN 1033:1996, EN ISO 3744;1995, EN ISO 11201; 1996

Con el fin de realizar de forma adecuada las exigencias en las normativas de la CEE (fué(ron) consultada(s) la(s) siguiente(s) normativa(s) y especificación(es) técnica(s): ISO 8437; 1994, BS EN 1033:1996, EN ISO 3744;1995, EN ISO 11201; 1996

Om de EG-richtlijnen in juiste vorm om te zetten, is/zijn van volgende norm(en) en/of technische specificatie(s) gebruik gemaakt: ISO 8437; 1994, BS EN 1033:1996, EN ISO 3744;1995, EN ISO 11201; 1996

Com o fim de realizar de forma apropriada as exigências nas normas da C.E.E. consultou-se a(s) seguinte(s) norma(s) e/ou especificação(ões) técnica(s): ISO 8437; 1994, BS EN 1033:1996, EN ISO 3744;1995, EN ISO 11201; 1996

Följande norm(er) och/eller teknisk(a) specifikation(er) har legat till grund för ett fackmässigt införande av de i EU-normerna: ISO 8437; 1994, BS EN 1033:1996, EN ISO 3744;1995, EN ISO 11201; 1996

Følgende normer og/eller tekniske spesifikasjoner er lagt til grunn for gjennomførelse av EU-retningslinjenes: ISO 8437; 1994, BS EN 1033:1996, EN ISO 3744;1995, EN ISO 11201; 1996

Til gennemførelse af de EF-direktivet er følgende standard(er) og/eller tekniske specifikation(er) anvendt: ISO 8437; 1994, BS EN 1033:1996, EN ISO 3744;1995, EN ISO 11201; 1996

ETY-direktiivien oikean soveltamisen varmistamiseksi on käytetty seuraavia standardeja ja/tai teknisiä erittelyjä: ISO 8437; 1994, BS EN 1033:1996, EN ISO 3744;1995, EN ISO 11201; 1996

Bauart	SCHNEEFRÄSE
Category	SNOW THROWER
Categorie	CHASSE-NEIGE
Categoria	SPAZZANEVE
Categoria	QUITANIEVES
Categorie	SNEEUWRIJMER
Categoria	CANHÃO DE NEVE
Kategori	SNÖSLUNGA
Kategori	SNØFRESER
Kategori	SNEBLÆSER
Kategoria	LUMILINKO

Fabrikmarke / Make / Marque / Marca / Marca / Merk / Marca /Fabriksmärke / Merke / Mærke / Merkki	MURRAY
---	--------

Typ / Type / Type / Tipo / Tipo / Model / Tipo / Typ / Type / Type / Tyyppi	10 HP / 29
---	------------

Erklärter Schalleistungspegel Declared sound power level Niveau de puissance acoustique déclaré Livello di potenza acustica dichiarato Nivel declarado de potencia acústica Erkend geluidsvermogensniveau Nível de ruído motriz declarado Angiven ljudnivå Deklarert lydnivå Deklareret lydniveau Ilmoitettu äänen tehotaso	111 dB (A)
---	------------

Gemessener Schalleistungspegel Measured sound power level Niveau de puissance acoustique mesuré Livello di potenza acustica misurato Nivel medido de potencia acústica Gemeten niveau van geluidsterkte Nível de potencia acústica medido Uppmätt ljudstyrksnivå Mått lydnivå Mått lydniveau Mitattu äänentehotaso	109 dB (A)
--	------------

Art des Räumwerks Type of snow removal device Genre du dispositif de déneigement Tipo di dispositivo di rimozione della neve Tipo de dispositivo de remoción de nieve Type sneeuwverwijderingsapparaat Tipo de dispositivo de remoção de neve Typ av snöavlägsningsanordning Type freserredskap Type snefjernelsesanordning Lumenpoistovälineen tyyppi	ROTIERENDE SCHNEESCHRAUBE ROTATING AUGER FRAISE ROTATIVE TRIVELLA RUOTANTE CUCHILLA GIRATORIA ROTAREND BOORBLAD PARAFUSO ROTATIVO ROTERANDE SKRUV ROTARENDE SKRUE ROTARENDE SKRUE PYÖRIVÄ SYÖTTÖKIERUKKA
--	--

Schnittbreite / Width of cut / Largeur de coupe / Ampiezza di taglio / Ancho de corte / Snijbreedte / Extensão do corte / Skärbredd / Snittbredde / Skærebredde / Leikkuuajäljen leveys	74 cm
---	-------

Name und Adresse der in der Europäischen Gemeinschaft etablierten benannten Stelle für Richtlinie 2000/14/EG; Konformitätsbewertungsverfahren nach Anhang V

Name and address of the notified body established in the European Community for Directive 2000/14/EC; Conformity assessment procedure according to Annex V

Nom et adresse de l'organisme notifié établi dans la Communauté européenne pour la directive 2000/14/CE; procédure d'évaluation de la conformité according to Annex V.

Nome e indirizzo dell'organismo notificato stabilito nella Comunità Europea per Direttiva 2000/14/CE; procedura di valutazione della conformità secondo Allegato V:

SNCH
11, Route de Luxembourg
L - 5230 Sandweiler

Nombre y dirección del organismo notificado establecido en la Comunidad Europea para la Directiva 2000/14/CE; procedimiento de evaluación de la conformidad de acuerdo al Anexo V:

Naam en adres van de aangemelde instantie gevestigd in de Europese Gemeenschap voor richtlijn 2000/14/EG; conformiteitsbeoordelingsprocedure volgens bijlage V:

Nome e morada do organismo notificado na Comunidade Europeia para Directiva 2000/14/CE; procedimento de avaliação da conformidade de acordo com Anexo V:

Namn och adress på godkännande organ inom EU för föreskrift 2000/14/EG; förfarande för bedömning av överensstämmelse i enlighet med bilaga V:

Navn og adresse til godkjennende organ innen EU for direktivet 2000/14/EF; konfirmitetsvurderingsprosedyre i henhold til annekks V:

Navn og adresse på det bemyndigede organ, som er etableret i De Europæiske Fællesskaber for direktiv 2000/14/EF; procedure for overensstemmelsesvurdering iflg. annex V:

Euroopan yhteisön alueella olevan ilmoitetun laitoksen nimi ja osoite direktiivin 2000/14/EY mukaisesti; vaatimustenmukaisuuden arviointimenettely Liitteen V mukaisesti:

Brentwood, TN USA 2002.06.11
YYYY MM DD



Director, International Sales

(Ort und Datum der Ausstellung)

(Place and date of issue)

(Lieu et date)

(Luogo e data del rilascio)

(Lugar y fecha de expedición)

(Plaats en datum van de verklaring)

(Lugar e data de emissão)

(Utfärdat ort/datum)

(Sted og datum)

(Sted og dato)

(Ilmoitus annettu paikka ja päiväs)

F-031065L

12.12.01

(Name, Funktion und Unterschrift des Befugten)

(Name and job function of authorized person)

(Nom, fonction et signature de la personne autorisée)

(Nome, qualifica e firma dell'incaricato)

(Nombre, función y firma del encargado)

(Naam, functie en handtekening van bevoegd persoon)

(Nome, cargo e assinatura do responsável)

(Namn, befattning och underskrift av behörig medarbetare)

(Bemyndigtes navn, funksjon og underskrift)

(Bemyndigedes navn, funktion og underskrift)

(Valtuutetun henkilön nimi ja tehtävä)