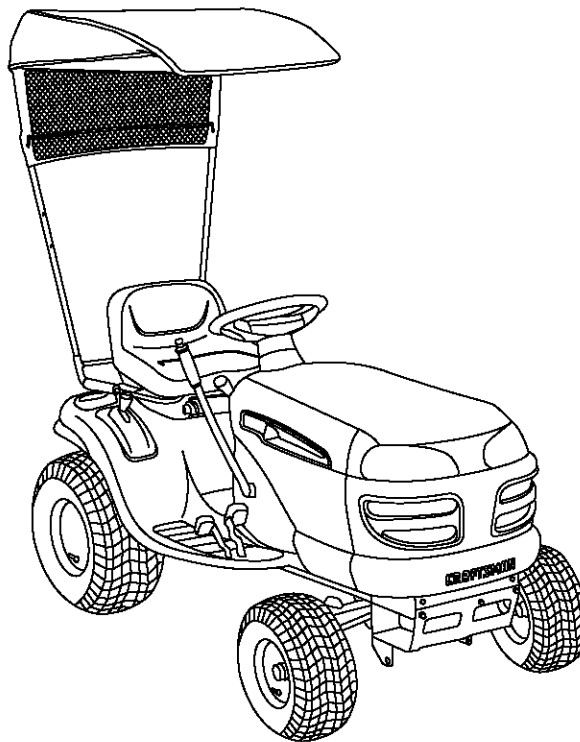


Owner's Manual



SUN SHADE

Model No. 486.24226



CAUTION:

Before using this product, read this manual and follow all Safety Rules and Operating Instructions.

IMPORTANT - READ THIS FIRST!!!

For Missing Parts or Assembly Questions
Please Call 866-576-8388
Mon.-Fri. 7 am - 5 pm CST.
FAX 217-728-2032 or e-mail info@agri-fab.com
Missing parts will be sent UPS in 24 hours directly to your home.

- Safety
- Assembly
- Operation
- Maintenance
- Parts

Sears, Roebuck and Co., Hoffman Estates, IL 60179 U.S.A.
www.sears.com/craftsman

TABLE OF CONTENTS

SAFETY RULES 2	MAINTENANCE/STORAGE 7
FULL-SIZE HARDWARE CHART 3	REPAIR PARTS ILLUSTRATION 8
CARTON CONTENTS 3	REPAIR PARTS LIST 8
ASSEMBLY 4	PARTS ORDERING/SERVICE Back Page
OPERATION 7	

WARRANTY

LIMITED ONE YEAR WARRANTY ON SUNSHADE

For one year from the date of purchase, when this Sun Shade is maintained and lubricated according to the operating and maintenance instructions in the owner's manual, Sears will repair any defect in material or workmanship free of charge. If this Sun Shade is used for commercial or rental purposes, this warranty applies for only 90 days from the date of purchase.

This warranty does not cover repairs necessary because of operator negligence or abuse, including the failure to maintain the equipment according to instructions contained in the owner's manual.

WARRANTY SERVICE IS AVAILABLE BY CONTACTING THE NEAREST SEARS SERVICE CENTER/DEPARTMENT IN THE UNITED STATES.

This warranty applies only while this product is in the United States.

This warranty gives you specific legal rights, and you may also have other rights which vary from state to state. Sears, Roebuck and Co. D/817 WA. Hoffman Estates, Chicago, IL 60179

<p>The model number and serial numbers will be found on a decal attached to the base assembly.</p> <p>You should record both the serial number and the date of purchase and keep in a safe place for future reference.</p>	<p>MODEL NUMBER: 486.24226</p> <p>SERIAL NUMBER: _____</p> <p>DATE OF PURCHASE: _____</p>
--	---



SAFETY



Any power equipment can cause injury if operated improperly or if the user does not understand how to operate the equipment. Exercise caution at all times, when using power equipment.

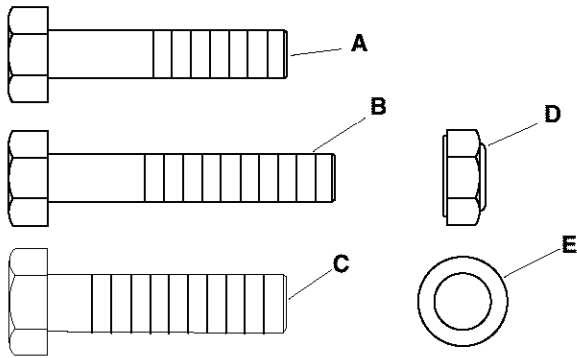
- This sun shade does not provide protection against exhaust fumes, collision, rollover or other accidents.
- Watch for low tree limbs or other overhead obstructions that may not previously have interfered with the operation of the tractor. The extra height of the sun shade may cause these objects to become obstacles.
- Read the sun shade and vehicle owner's manuals and know how to operate your vehicle and sun shade before using the sun shade attachment.
- Check the area of operation thoroughly before using the tractor.
- Be sure there is adequate ventilation when using the tractor and sun shade in confined areas.
- The sun shade will restrict your field of vision in some directions. Use extra caution when operating your tractor with the sun shade attached.



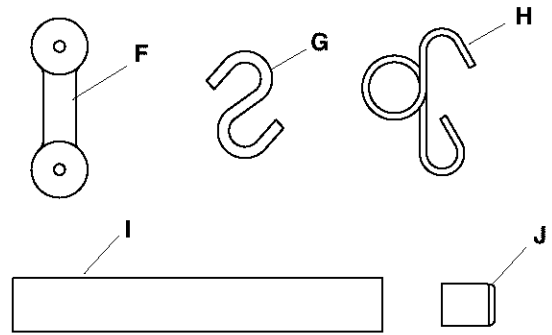
Look for this symbol to point out important safety precautions. It means--**Attention!! Become alert!! Your safety is involved.**

HARDWARE PACKAGE CONTENTS

SHOWN FULL SIZE

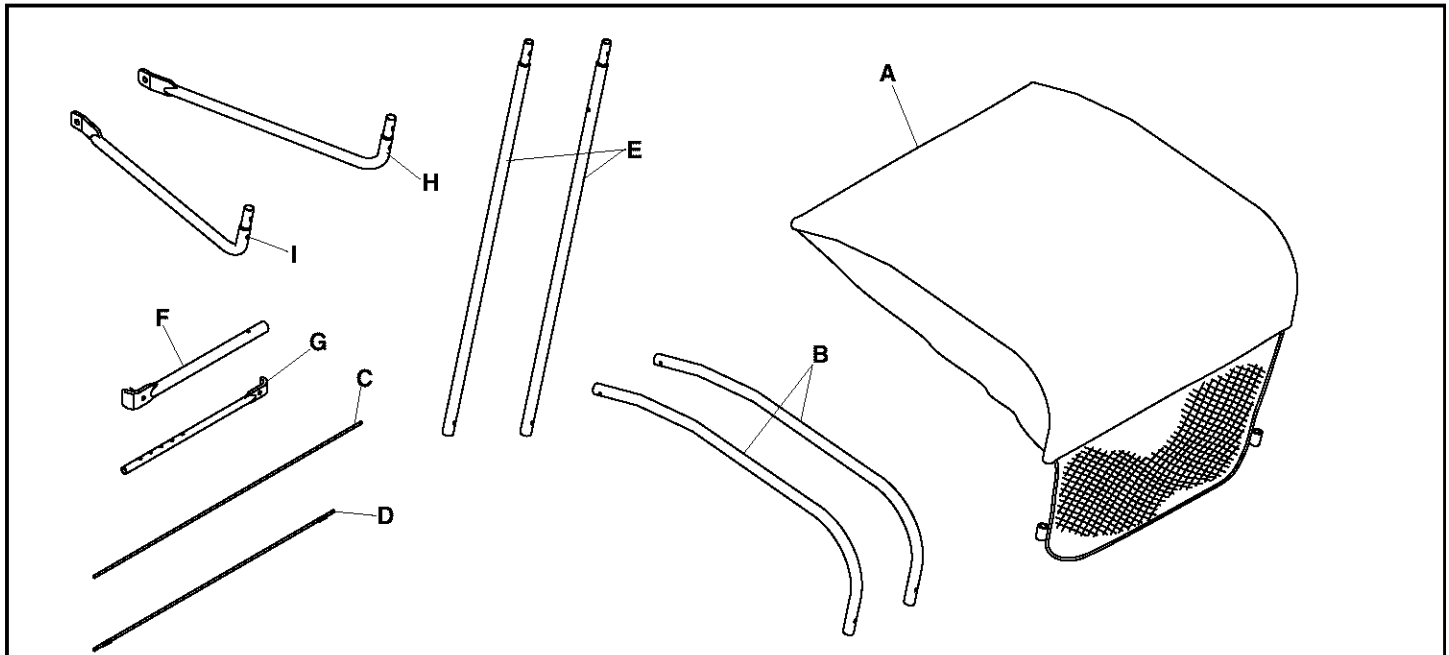


NOT SHOWN FULL SIZE



REF.	QTY.	DESCRIPTION	REF.	QTY.	DESCRIPTION
A	5	Bolt, 1/4" x 1-1/4"	F	2	Strap, Tarp
B	2	Bolt, 1/4" x 1-1/2"	G	2	S-Hook
C	2	Bolt, 5/16" x 1-1/4"	H	2	Hook, Spring
D	7	Nut, 1/4" Nylock	I	2	Foam Sleeve
E	2	Spacer	J	2	Rubber Cap

CARTON CONTENTS



REF.	QTY.	DESCRIPTION	REF.	QTY.	DESCRIPTION
A	1	Shade, Top	F	1	Tube, Outer Cross
B	2	Tube, Top	G	1	Tube, Inner Cross
C	1	Rod, Support (Long)	H	1	Tube, Base (Right)
D	1	Rod, Support (Short)	I	1	Tube, Base (Left)
E	2	Tube, Upright			

ASSEMBLY

TOOLS REQUIRED FOR ASSEMBLY

- (2) 7/16" Wrenches or Socket Wrench
- (2) 1/2" Wrenches or Socket Wrench

REMOVAL OF PARTS FROM CARTON

Remove all parts and hardware package from the carton. Identify all parts and hardware by referring to the Carton Contents on previous page.

ASSEMBLING SUN SHADE



CAUTION: Make sure tractor seat raises and lowers freely after attaching Sun Shade. The tractor's safety kill switch will not operate if seat is stuck down.

NOTE: Your tractor fender style may differ from the one shown in the drawings. The following instructions apply to all fender styles.

- Raise tractor seat to access seat mounting hardware.
- Remove original bolt and nut from left side of seat mount bracket.
- Insert supplied spacer into the seat bracket. See figure 1.

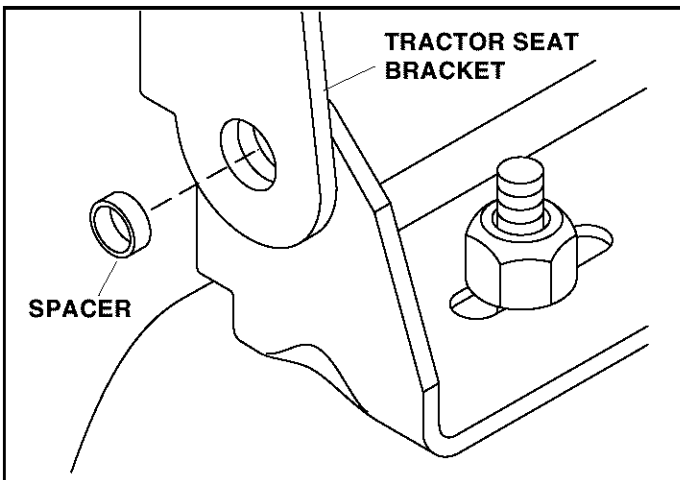


FIGURE 1

- Slide foam sleeve onto left base tube. See figure 2.
- Attach left base tube to left seat bracket. Use one 5/16" x 1-1/4" bolt from hardware package and the previously removed original nut. Make sure seat raises and lowers freely. Slightly loosen nuts if seat is too tight. See figure 2.
- Repeat first five steps to install right base tube.

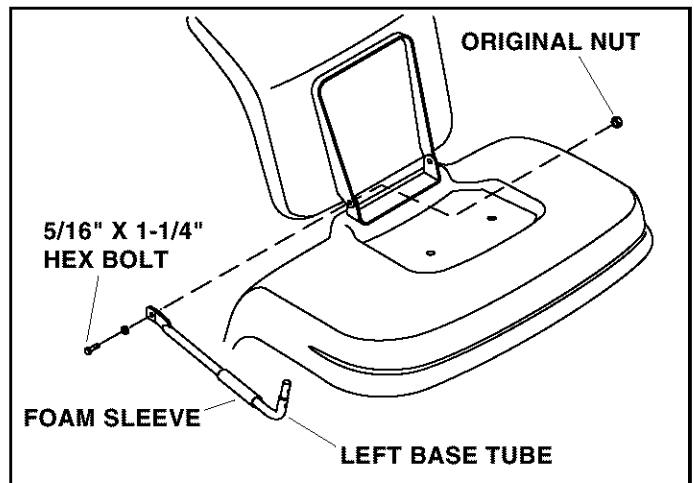


FIGURE 2

- Attach outer cross tube to inner cross tube using one 1/4" x 1-1/4" bolt and one 1/4" nylock nut. Select the hole that gives the best fit. See figure 3.

NOTE: Most tractors use the fourth hole from the end.

- Attach the assembled cross tubes to the right and left base tubes using two 1/4" x 1-1/2" hex bolts and two 1/4" nylock nuts. Tighten all bolts. See figure 3.

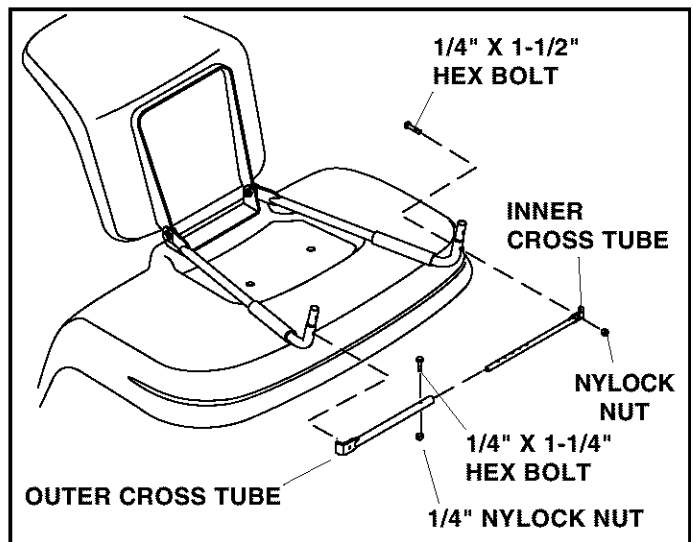


FIGURE 3

- Insert the upright tubes onto the right and left base tubes, turning the upright tubes so that the small hole shown in figure 4 faces inward. Fasten using two 1/4" x 1-1/4" and two 1/4" nylock nuts. See figure 4.

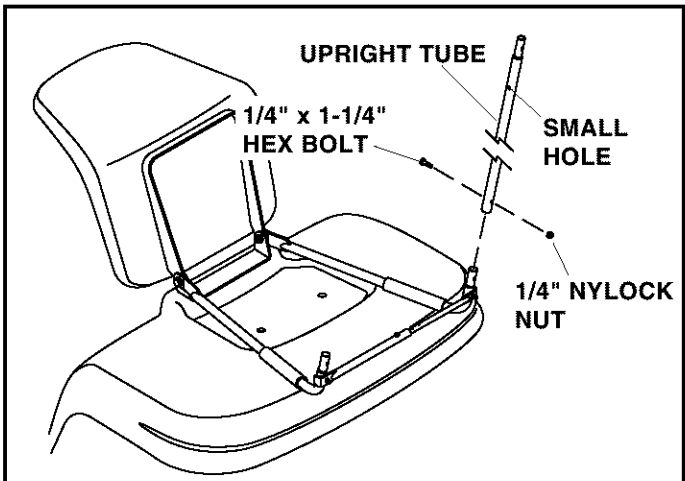


FIGURE 4

- Attach top tubes to the upright tubes, but do not install mounting bolts at this time. See figure 5.

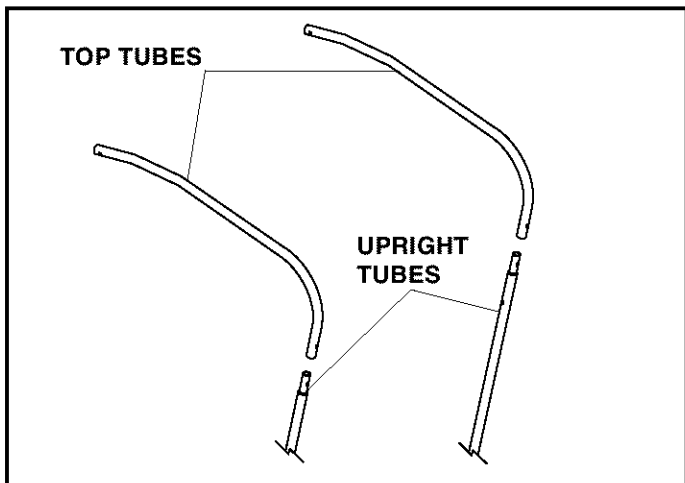


FIGURE 5

- Unfold sun shade and locate the nylon loops found on the mesh portion of the sun shade. The mesh is located at the rear. See figure 6.
- Hold the sun shade in front of the top tubes and slip the nylon loops onto the ends of the top tubes. Slide the sun shade along the top tubes, inserting the ends of the tubes into the stitched sleeves on each side of the sun shade. Continue until the ends of the tubes extend out in front of the sun shade. See figures 6 and 7.

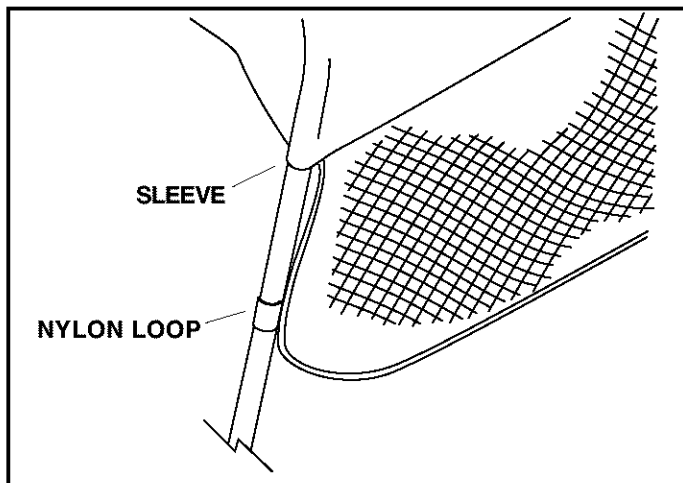


FIGURE 6

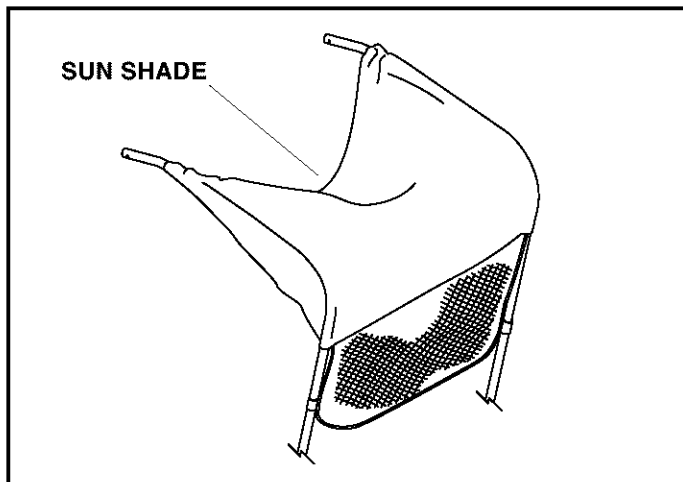


FIGURE 7

- Install rubber caps onto the ends of both top tubes. See figure 8.
- Install the shorter of the two support rods into the holes at the front of each top tube. See figure 8.

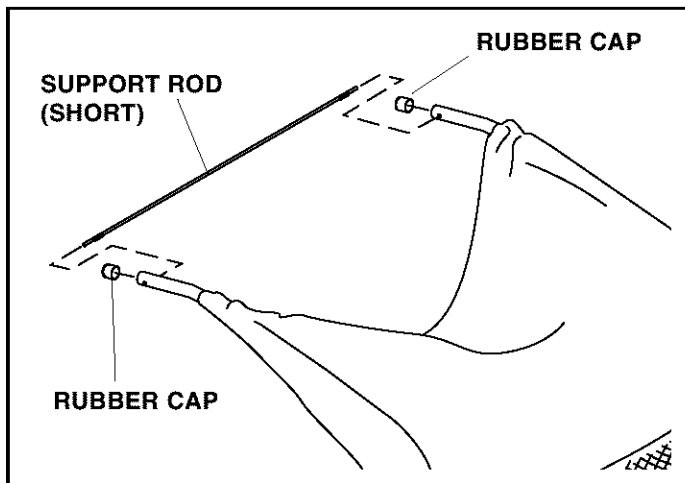


FIGURE 8

- Pull the front of the sun shade top forward past the ends of the top tubes. Pull the sun shade back onto the tubes inserting the capped ends of the tubes into the pockets on the front of the sun shade. See figure 9.

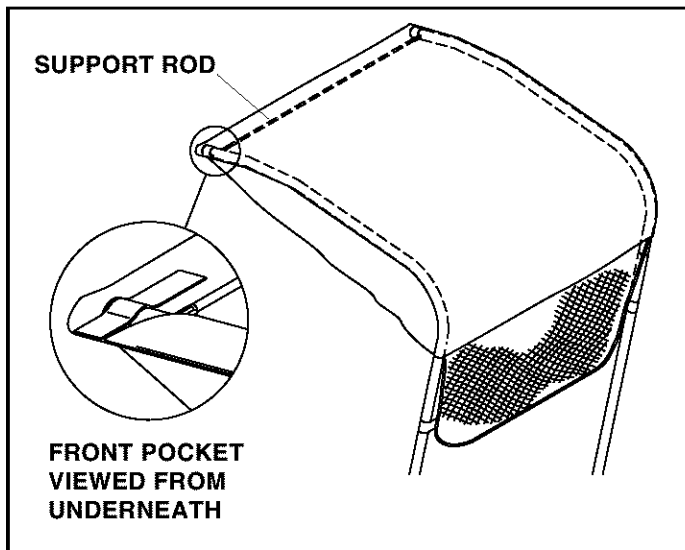


FIGURE 9

- Fasten top tubes to upright tubes using two 1/4" x 1-1/4" hex bolts and two 1/4" nylock nuts. See figure 10.
- Insert one end of the remaining support rod into the small hole in one of the upright tubes. Insert the other end of the support rod into the small hole in the other upright tube. It will be necessary to flex the rod slightly so it can be inserted in the second hole. See figure 10.

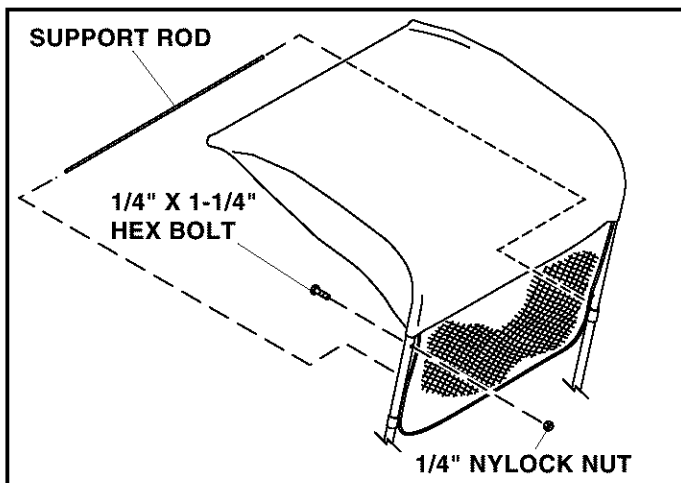


FIGURE 10

- Insert the small loop of the spring hook through the hole at one end of the tarp strap. See figure 11.
- Insert an S-hook through the other end of the tarp strap. See figure 11.
- Hook the spring hook over the end of the cross tube and attach the S-hook to the bottom edge of the tractor fender. See figure 11.
- Repeat above steps for other tarp strap. Attach to opposite end of cross tube. See figure 11.

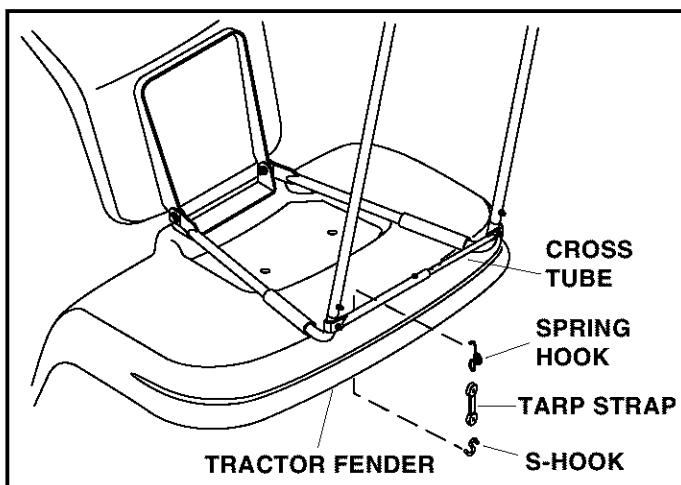


FIGURE 11

OPERATION

Read this owner's manual and safety rules before operating your tractor with the sun shade.



CAUTION: This sun shade does not provide protection against exhaust fumes, collision, rollover or other accidents.



CAUTION: Watch out for low tree limbs and other overhead objects which may interfere with the sun shade.



CAUTION: Never transport the tractor in an open truck or open trailer while the sun shade is attached.

- Check the area of operation thoroughly before using the tractor with the sun shade . The added height of the sun shade and a reduced field of vision require extra caution during operation.
- Remove the upper sun shade frame and canopy before you transport the tractor in an open truck or open trailer.

MAINTENANCE/STORAGE

CUSTOMER RESPONSIBILITIES

- Read and follow the maintenance schedule and the maintenance procedures listed in this section.

MAINTENANCE SCHEDULE Fill in dates as you complete regular service.	Service Dates												
	Before each use	After each use	Every season	Before storage									
Check for loose fasteners	X												
Cleaning		X	X										

CHECK FOR LOOSE FASTENERS

- Before each use, make a thorough visual check of the sun shade for any bolts and nuts which may have loosened. Retighten any loose bolts and nuts.

STORAGE

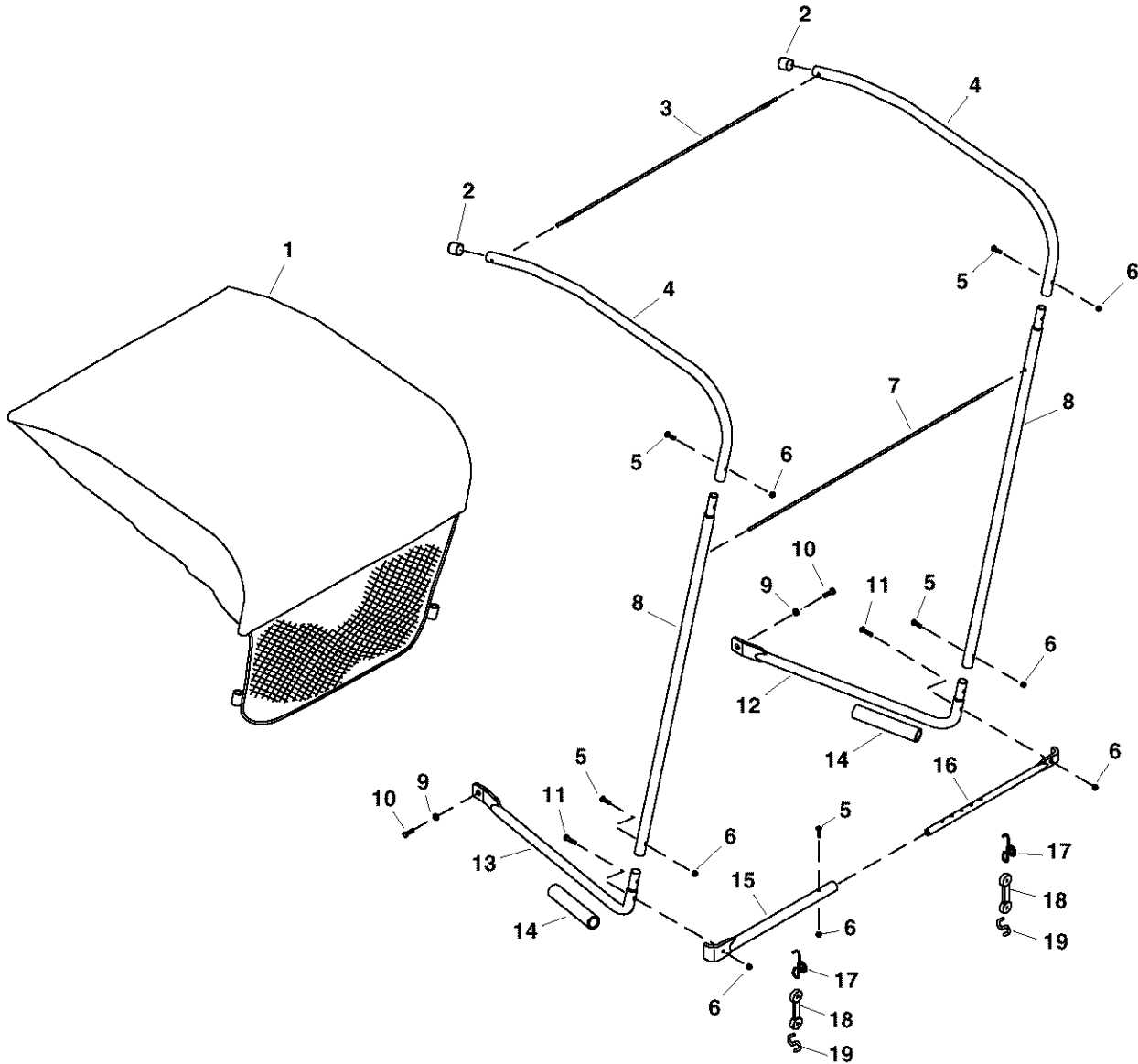
- Clean the vinyl canopy thoroughly with mild liquid soap and water. Allow canopy to dry before storing.
- Store the sun shade in a clean, dry area away from direct sunlight.

CLEANING

- Wipe loose dirt and debris from the vinyl canopy after each use. The vinyl canopy can be washed using mild liquid soap and water.

PARTS

REPAIR PARTS FOR MODEL 486.24226 SUN SHADE



REF. NO.	PART NO.	QTY.	DESCRIPTION	REF. NO.	PART NO.	QTY.	DESCRIPTION
1	49279	1	Shade, Top	11	43648	2	Bolt, 1/4" x 1-1/2"
2	49310	2	Cap, Rubber	12	49274	1	Tube, Base (Right)
3	25352	1	Rod, Support (Short)	13	49284	1	Tube, Base (Left)
4	49277	2	Tube, Top	14	49288	2	Sleeve, Foam
5	1509-90	5	Bolt, 1/4" x 1-1/4"	15	49276	1	Tube, Outer Cross
6	47189	7	Nut, 1/4" Nylock	16	49275	1	Tube, Inner Cross
7	49305	1	Rod, Support (Long)	17	49245	2	Hook, Spring
8	49278	2	Tube, Upright	18	49313	2	Strap, Trap
9	25357	2	Spacer	19	44849	2	S-Hook
10	43840	2	Bolt, 5/16" x 1-1/4"		49290	1	Owner's Manual

Get it fixed, at your home or ours!

For repair of major brand appliances **in your own home...**
no matter who made it, no matter who sold it!

1-800-4-MY-HOMESM Anytime, day or night
(1-800-469-4663)

www.sears.com

To bring in products such as vacuums, lawn equipment and electronics
for repair, call for the location of your nearest **Sears Parts & Repair Center.**

1-800-488-1222 Anytime, day or night

www.sears.com

For the replacement parts, accessories and owner's manuals
that you need to do-it-yourself, call **Sears PartsDirectSM!**

1-800-366-PART 6 a.m. – 11 p.m. CST,
(1-800-366-7278) 7 days a week

www.sears.com/partsdirect

To purchase or inquire about a Sears Service Agreement:

1-800-827-6655

7 a.m. – 5 p.m. CST, Mon. – Sat.

Para pedir servicio de reparación a domicilio,
y para ordenar piezas con entrega a domicilio:

1-888-SU-HOGARSM
(1-888-784-6427)

Au Canada pour service en français:

1-877-LE-FOYERSM
(1-877-533-6937)

