

Operator's Manual

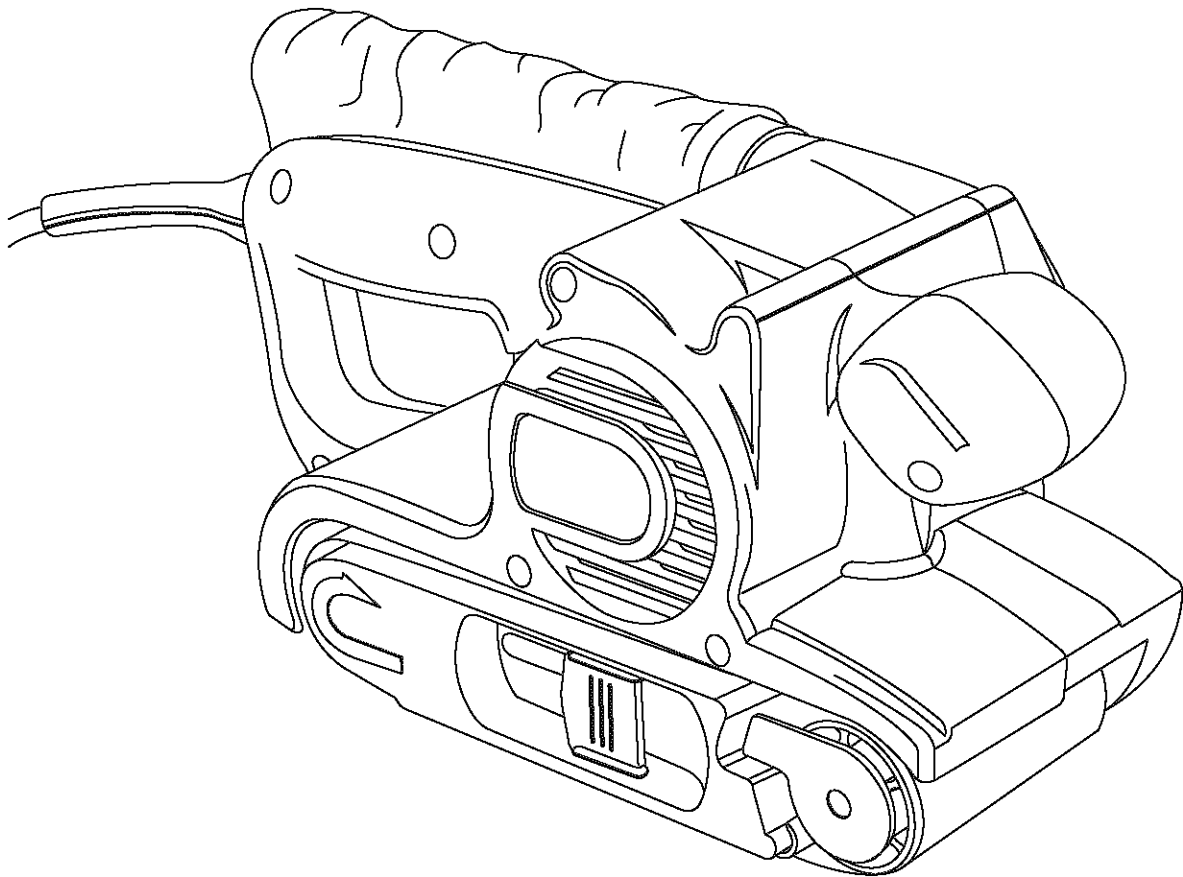
CRAFTSMAN®

Belt Sander

Double Insulated

Model No.

315.117250



Save this manual for future reference.

⚠ WARNING: To reduce the risk of injury, the user must read and understand the operator's manual before using this product.

Customer Help Line: 1-800-932-3188

Sears, Roebuck and Co., 3333 Beverly Rd., Hoffman Estates, IL 60179 USA
Visit the Craftsman Web page: www.sears.com/craftsman



TABLE OF CONTENTS

■ Warranty	2
■ Introduction	2
■ General Safety Rules	3-4
■ Specific Safety Rules	4
■ Symbols	5
■ Specifications	6
■ Electrical	6
■ Unpacking	7
■ Applications	7
■ Features	8-9
■ Operation	10-14
■ Maintenance	15
■ Exploded View and Repair Parts List	16-17
■ Customer Service Information	18

WARRANTY

FULL ONE YEAR WARRANTY ON **CRAFTSMAN** BELT SANDER

If this **CRAFTSMAN** tool fails to give complete satisfaction within one year from the date of purchase, **return it to the nearest sears store in the United States**, and Sears will replace it, free of charge.


If this **CRAFTSMAN** tool is used for commercial or rental purposes, this warranty applies for only 90 days from the date of purchase.


This warranty gives you specific legal rights, and you may also have other rights which vary from state to state.

Sears, Roebuck and Co., Dept. 817 WA, Hoffman Estates, IL 60179

INTRODUCTION

Your belt sander has many features for making the use of this tool more pleasant and enjoyable. Safety, performance, and dependability have been given top priority in the design of this belt sander making it easy to maintain and operate.

 **WARNING:** Do not attempt to use this product until you read thoroughly and understand completely the operator's manual. Pay close attention to the safety rules, including Dangers, Warnings, and Cautions. If you use this product properly and only as intended, you will enjoy years of safe, reliable service.

 Look for this symbol to point out important safety precautions. It means attention!!! Your safety is involved.

 **WARNING:**



The operation of any tool can result in foreign objects being thrown into your eyes, which can result in severe eye damage. Before beginning operation, always wear safety goggles or safety glasses with side shields and a full face shield when needed. We recommend Wide Vision Safety Mask for use over eyeglasses or standard safety glasses with side shields. Always wear eye protection which is marked to comply with ANSI Z87.1.

GENERAL SAFETY RULES


⚠ WARNING: Read and understand all instructions. Failure to follow all instructions listed below, may result in electric shock, fire and/or serious personal injury.

SAVE THESE INSTRUCTIONS

WORK AREA

- **Keep your work area clean and well lit.** Cluttered benches and dark areas invite accidents.
- **Do not operate power tools in explosive atmospheres, such as in the presence of flammable liquids, gases, or dust.** Power tools create sparks which may ignite the dust or fumes.
- **Keep bystanders, children, and visitors away while operating a power tool.** Distractions can cause you to lose control.

ELECTRICAL SAFETY

- **Double insulated tools are equipped with a polarized plug (one blade is wider than the other). This plug will fit in a polarized outlet only one way. If the plug does not fit fully in the outlet, reverse the plug. If it still does not fit, contact a qualified electrician to install a polarized outlet. Do not change the plug in any way.** Double insulation  eliminates the need for the three-wire grounded power cord and grounded power supply system.
- **Avoid body contact with grounded surfaces such as pipes, radiators, ranges, and refrigerators.** There is an increased risk of electric shock if your body is grounded.
- **Don't expose power tools to rain or wet conditions.** Water entering a power tool will increase the risk of electric shock.
- **Do not abuse the cord. Never use the cord to carry the tools or pull the plug from an outlet. Keep cord away from heat, oil, sharp edges, or moving parts. Replace damaged cords immediately.** Damaged cords increase the risk of electric shock.
- **When operating a power tool outside, use an outdoor extension cord marked "W-A" or "W".** These cords are rated for outdoor use and reduce the risk of electric shock.

PERSONAL SAFETY

- **Stay alert, watch what you are doing and use common sense when operating a power tool. Do not use tool while tired or under the influence of drugs, alcohol, or medication.** A moment of inattention while operating power tools may result in serious personal injury.
- **Dress properly. Do not wear loose clothing or jewelry. Contain long hair. Keep your hair, clothing, and gloves away from moving parts.** Loose clothes, jewelry, or long hair can be caught in moving parts.

- **Avoid accidental starting. Be sure switch is off before plugging in.** Carrying tools with your finger on the switch or plugging in tools that have the switch on invites accidents.
- **Remove adjusting keys or wrenches before turning the tool on.** A wrench or a key that is left attached to a rotating part of the tool may result in personal injury.
- **Do not overreach. Keep proper footing and balance at all times.** Proper footing and balance enables better control of the tool in unexpected situations.
- **Use safety equipment. Always wear eye protection.** Dust mask, nonskid safety shoes, hard hat, or hearing protection must be used for appropriate conditions.
- **Do not wear loose clothing or jewelry. Contain long hair.** Loose clothes, jewelry, or long hair can be drawn into air vents.
- **Do not use on a ladder or unstable support.** Stable footing on a solid surface enables better control of the tool in unexpected situations.

TOOL USE AND CARE

- **Use clamps or other practical way to secure and support the workpiece to a stable platform.** Holding the work by hand or against your body is unstable and may lead to loss of control.
- **Do not force tool. Use the correct tool for your application.** The correct tool will do the job better and safer at the rate for which it is designed.
- **Do not use tool if switch does not turn it on or off.** Any tool that cannot be controlled with the switch is dangerous and must be repaired.
- **Disconnect the plug from power source before making any adjustments, changing accessories, or storing the tool.** Such preventive safety measures reduce the risk of starting the tool accidentally.
- **Store idle tools out of the reach of children and other untrained persons.** Tools are dangerous in the hands of untrained users.
- **Maintain tools with care. Keep cutting tools sharp and clean.** Properly maintained tools with sharp cutting edges are less likely to bind and are easier to control.
- **Check for misalignment or binding of moving parts, breakage of parts, and any other condition that may affect the tool's operation. If damaged, have the tool serviced before using.** Many accidents are caused by poorly maintained tools.
- **Use only accessories that are recommended by the manufacturer for your model.** Accessories that may be suitable for one tool, may become hazardous when used on another tool.
- **Keep the tool and its handle dry, clean and free from oil and grease.** Always use a clean cloth when cleaning. Never use brake fluids, gasoline, petroleum-based products, or any strong solvents to clean your tool. Following this rule will reduce the risk of loss of control and deterioration of the enclosure plastic.

GENERAL SAFETY RULES

SERVICE


- **Tool service must be performed only by qualified repair personnel.** Service or maintenance performed by unqualified personnel could result in a risk of injury.
- **When servicing a tool, use only identical replacement parts. Follow instructions in the Maintenance section of this manual.** Use of unauthorized parts or failure to follow Maintenance Instructions may create a risk of electric shock or injury.

SPECIFIC SAFETY RULES

- **Hold tool by insulated gripping surfaces when performing an operation where the cutting tool may contact hidden wiring or its own cord.** Contact with a “live” wire will make exposed metal parts of the tool “live” and shock the operator.

ADDITIONAL SAFETY RULES

- **Know your power tool.** Read operator’s manual carefully. Learn its applications and limitations, as well as the specific potential hazards related to this tool. Following this rule will reduce the risk of electric shock, fire, or serious injury.
- **Always wear safety glasses. Everyday eyeglasses have only impact-resistant lenses; they are NOT safety glasses.** Following this rule will reduce the risk of serious personal injury.
- **Protect your lungs. Wear a face or dust mask if the operation is dusty.** Following this rule will reduce the risk of serious personal injury.
- **Protect your hearing. Wear hearing protection during extended periods of operation.** Following this rule will reduce the risk of serious personal injury.
- **Inspect tool cords periodically and, if damaged, have repaired at your nearest Authorized Service Center. Constantly stay aware of cord location.** Following this rule will reduce the risk of electric shock or fire.
- **Check damaged parts. Before further use of the tool, a guard or other part that is damaged should be carefully checked to determine that it will operate properly and perform its intended function. Check for alignment of moving parts, binding of moving parts, breakage of parts, mounting, and any other conditions that may affect its operation. A guard or other part that is damaged should be properly repaired or replaced by an authorized service center.** Following this rule will reduce the risk of shock, fire, or serious injury.
- **Do not abuse cord. Never carry the tool by the cord or yank it to disconnect it from the receptacle. Keep cord away from heat, oil, and sharp edges.** Following this rule will reduce the risk of electric shock or fire.
- **Make sure your extension cord is in good condition. When using an extension cord, be sure to use one heavy enough to carry the current your product will draw. A wire gage size (A.W.G.) of at least 14 is recommended for an extension cord 50 feet or less in length. A cord exceeding 100 feet is not recommended. If in doubt, use the next heavier gage. The smaller the gage number, the heavier the cord.** An undersized cord will cause a drop in line voltage resulting in loss of power and overheating.
- **Inspect for and remove all nails from lumber before using this tool.** Following this rule will reduce the risk of serious personal injury.
- **Drugs, alcohol, medication. Do not operate tool while under the influence of drugs, alcohol, or any medication.** Following this rule will reduce the risk of electric shock, fire, or serious personal injury.
- **Save these instructions.** Refer to them frequently and use them to instruct others who may use this tool. If you loan someone this tool, loan them these instructions also.

 **WARNING:** Some dust created by power sanding, sawing, grinding, drilling, and other construction activities contains chemicals known to cause cancer, birth defects or other reproductive harm. Some examples of these chemicals are:





- lead from lead-based paints,
- crystalline silica from bricks and cement and other masonry products, and
- arsenic and chromium from chemically-treated lumber.

Your risk from these exposures varies, depending on how often you do this type of work. To reduce your exposure to these chemicals: work in a well ventilated area, and work with approved safety equipment, such as those dust masks that are specially designed to filter out microscopic particles.

SAVE THESE INSTRUCTIONS

SYMBOLS

Important: Some of the following symbols may be used on your tool. Please study them and learn their meaning. Proper interpretation of these symbols will allow you to operate the tool better and safer.

SYMBOL	NAME	DESIGNATION/EXPLANATION
V	Volts	Voltage
A	Amperes	Current
Hz	Hertz	Frequency (cycles per second)
W	Watt	Power
min	Minutes	Time
~	Alternating Current	Type of current
n_0	No Load Speed	Rotational speed, at no load
	Class II Construction	Double-insulated construction
/min	Per Minute	Revolutions, strokes, surface speed, orbits etc. per minute
	Safety Alert	Precautions that involve your safety
	Eye Protection	Always wear safety goggles or safety glasses with side shields and a full face shield when operating this product.
	Wet Conditions Alert	Do not expose to rain or use in damp locations.

The purpose of safety symbols is to attract your attention to possible dangers. The safety symbols, and the explanations with them, deserve your careful attention and understanding. The safety warnings do not by themselves eliminate any danger. The instructions or warnings they give are not substitutes for proper accident prevention measures.

SYMBOL MEANING



DANGER: Indicates an imminently hazardous situation, which, if not avoided, will result in death or serious injury.



WARNING: Indicates a potentially hazardous situation, which, if not avoided, could result in death or serious injury.



CAUTION: Indicates a potentially hazardous situation, which, if not avoided, may result in minor or moderate injury. It may also be used to alert against unsafe practices that may cause property damage.

Important: Advises you of important information or instructions vital to the operation or maintenance of the equipment.

Note: Advises you of additional information concerning the operation or maintenance of the equipment.

SPECIFICATIONS


Belt Size	3 in. X 18 in. (76 cm X 45.7 cm)
Sanding Surface	16.5 square in. (106.5 square cm)
Input	120 Volts, 60 Hz, AC only, 5.3 Amps
No Load Speed	700 /min.
Net Weight	7 lbs. (3.2 kg)

ELECTRICAL

DOUBLE INSULATION

Double insulation is a concept in safety in electric power tools, which eliminates the need for the usual three-wire grounded power cord. All exposed metal parts are isolated from the internal metal motor components with protecting insulation. Double insulated tools do not need to be grounded.

Important: Servicing of a tool with double insulation requires extreme care and knowledge of the system and should be performed only by a qualified service technician. For service, we suggest you return the tool to your nearest authorized service center for repair. When servicing, use only identical Craftsman replacement parts.

 **WARNING:** The double insulated system is intended to protect the user from shock resulting from a break in the tool's internal wiring. Observe all normal safety precautions to avoid electrical shock.


ELECTRICAL CONNECTION


The belt sander has a precision built electric motor. **It should be connected to a power supply that is 120 volts, 60 Hz, AC only (normal household current).** Do not operate this tool on direct current (DC). A substantial voltage drop will cause a loss of power and the motor will overheat. If your tool does not operate when plugged into an outlet, double-check the power supply.

EXTENSION CORDS

The use of any extension cord will cause some loss of power. To keep the loss to a minimum and to prevent tool overheating, use an extension cord that is heavy enough to carry the current the tool will draw.

A wire gage size (A.W.G.) of at least **14** is recommended for an extension cord 50 feet or less in length. When working outdoors, use an extension cord that is suitable for outdoor use. This type of cord is designated with "WA" on the cord's jacket.

 **CAUTION:** Keep extension cords clear of the working area. While you are working with a power tool, position the cord so that it will not get caught on lumber, tools, or other obstructions.

 **WARNING:** Check extension cords before each use. If damaged, replace them immediately. Never use a damaged cord with this tool. Touching the damaged area could cause serious injury due to electrical shock.

Extension cords suitable for use with your tool are available at your nearest Sears retail store.

UNPACKING


INSTRUCTIONS


Your belt sander has been shipped completely assembled.

- Carefully remove the tool and the accessories from the box.
- Make sure that all items listed in the packing list are included.
- Inspect the tool carefully to be sure no breakage or damage occurred during shipping.
- Do not discard the packing material until you have carefully inspected and satisfactorily operated the tool.
- If any parts are damaged or missing, please call 1-800-932-3188 for assistance.

PACKING LIST

Belt Sander
Sanding Belt (3)
Dust Collection Bag
Operator's Manual

 **WARNING:** If any parts are missing, do not operate your tool until the missing parts are replaced. Failure to do so could result in serious personal injury.

 **WARNING:** The belt sander should never be connected to a power supply when you are assembling parts, making adjustments, cleaning, performing maintenance, or when the tool is not in use. Disconnecting the tool prevents accidental starting that could cause serious injury.


APPLICATIONS

You may use your belt sander for the purposes listed below:

- Sanding wood, metals, plastics, and other materials.
- Smoothing rough boards, chamfering, rounding edges, etc.
- Removing rust, paint, varnishes, and stains.

FEATURES

Before using the belt sander, familiarize yourself with all operating features and safety requirements. However, do not let familiarity with the tool make you careless.

 **WARNING:** Exercise caution when using the belt sander. Careless actions, for even a fraction of a second, can result in serious personal injury.

Your new belt sander is equipped with the following features. See Figure 1.

LOCK-ON

The lock-on feature allows you to lock the trigger switch in the **ON** position. Locking the trigger switch on allows you to operate the sander for extended periods of time.

TENSION RELEASE LEVER

The tension release lever aids in quick and easy belt changes.

TRACKING KNOB

The tracking knob allows you to easily adjust the belt tracking.

DUST COLLECTION BAG

The dust collection bag attaches to the sander and keeps dust to a minimum.

ERGONOMIC DESIGN

The design of the sander provides for easy handling. It is designed for comfort and ease of grasp when operating in different positions and at different angles.

FEATURES

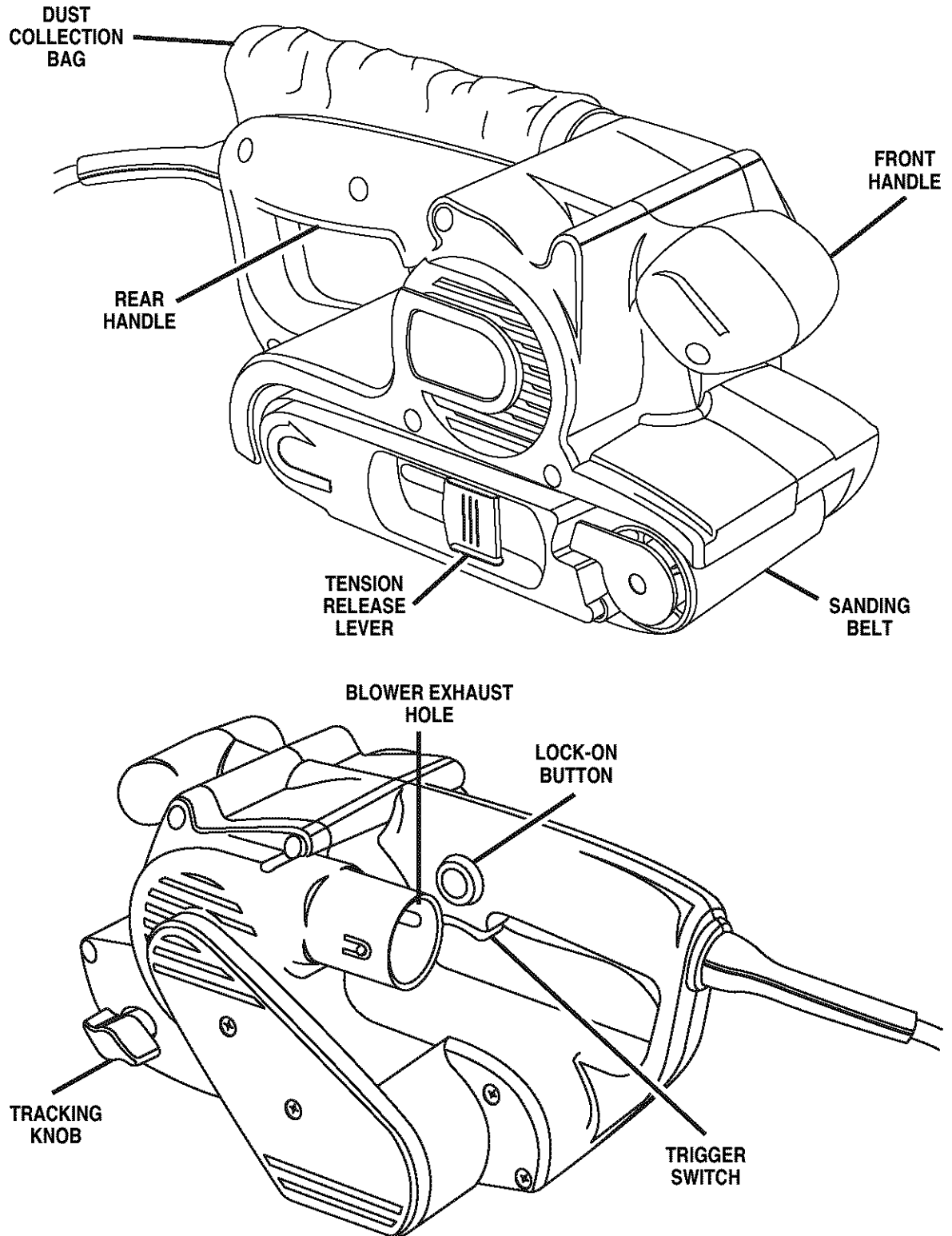


Fig. 1

OPERATION

- ▲ **WARNING:** Always wear safety goggles or safety glasses with side shields when operating this tool. Failure to do so could result in dust, shavings, chips, or loose particles being thrown in your eyes resulting in possible serious injury. If the operation is dusty, also wear a face or dust mask.

SELECTING SANDING BELTS

Selecting the correct size and type of sanding belt is an important step in achieving a high quality sanded finish. Aluminum oxide, silicon carbide, and other synthetic abrasives are best for power sanding.

In general, when sanding, coarse grit removes the most material and fine grit produces the best finish. The condition of the surface to be sanded determines which grit will do the best job. If the surface is rough, start with a coarse grit and sand until the surface is uniform. Then use medium grit to remove scratches left by the coarser grit. Finally, use finer grit for finishing the surface. Always continue sanding with each grit until the surface is uniform.

USING SANDING BELTS TO INSTALL/CHANGE SANDING BELTS

See Figures 2, 3, and 4.

Follow these steps to install or change sanding belts.

- Unplug the sander.

- ▲ **WARNING:** Failure to unplug the tool could result in serious injury due to accidental starting.

- Position the sander on its side with the cord on the left.

- ▲ **WARNING:** Keep hands and fingers clear of both rollers and spring mechanism at all times. Failure to do so could result in fingers getting pinched, causing serious injury.

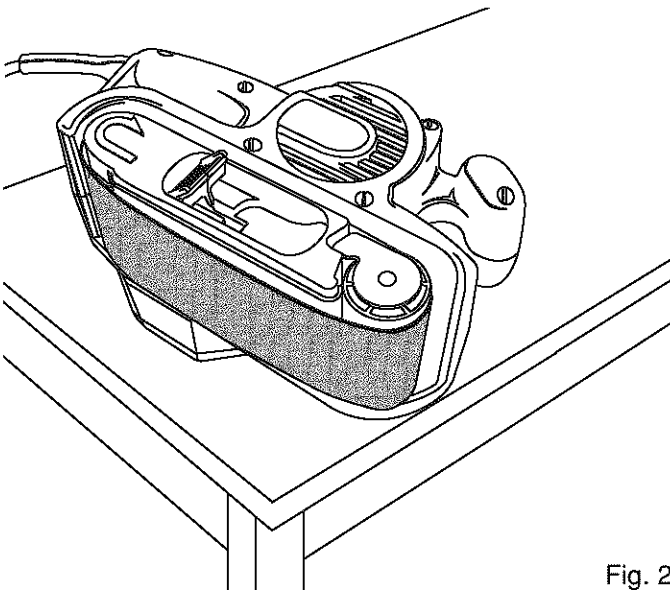


Fig. 2

- Raise the tension release lever.

Note: If you are changing sanding belts, remove the old sanding belt at this time.

- Install the sanding belt.

- ▲ **CAUTION:** If the sanding belt is not a bidirectional belt, ensure that the arrow inside the belt is pointing in the direction of the rotation (clockwise when looking into the open side of the sander). Installing unidirectional sanding belts backwards can create a hazardous condition.

- Align the sanding belt to its correct position.
- Lower the tension release lever to secure the sanding belt.

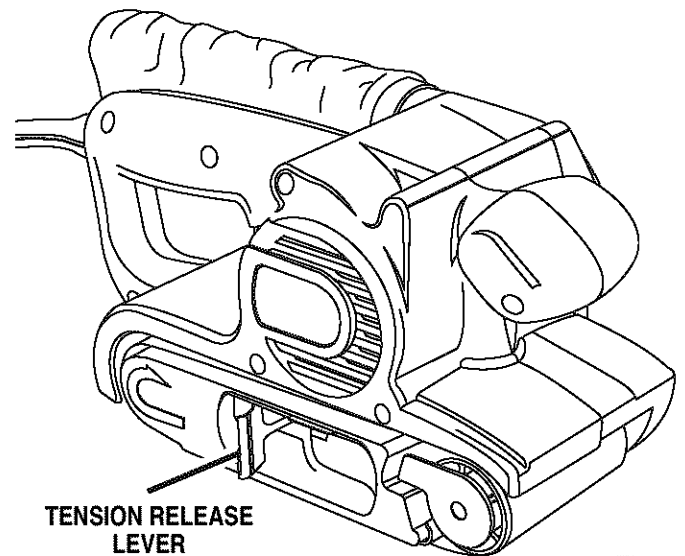
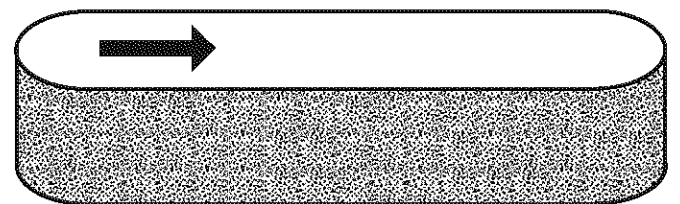
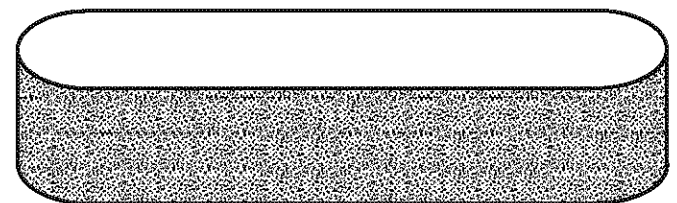


Fig. 3



INSTALL UNIDIRECTIONAL BELTS IN THE DIRECTION OF THE ROTATION



INSTALL BIDIRECTIONAL BELTS IN EITHER DIRECTION

Fig. 4

OPERATION

TO ADJUST SANDING BELT TRACKING

See Figures 5 and 6.

Belt life is greatly increased if you regularly adjust the sanding belt tracking. When correctly adjusted, the outer edge of the sanding belt should be even with the outer edge of the base of the sander.

When you install a new sanding belt, you may need to adjust the sanding belt tracking several times until the belt becomes pliable.

Follow these steps to adjust sanding belt tracking.

⚠ WARNING: Before connecting the sander to a power supply, always make sure it is not in the “locked-on” position. Failure to do so could result in accidental starting of the sander resulting in possible serious injury.

- Connect the sander to a power supply.
- Position the sander upside down with the cord on the left.

Note: This position is for adjustments only. The sanding belt should not contact a workpiece or any foreign object when you are making belt tracking adjustments.

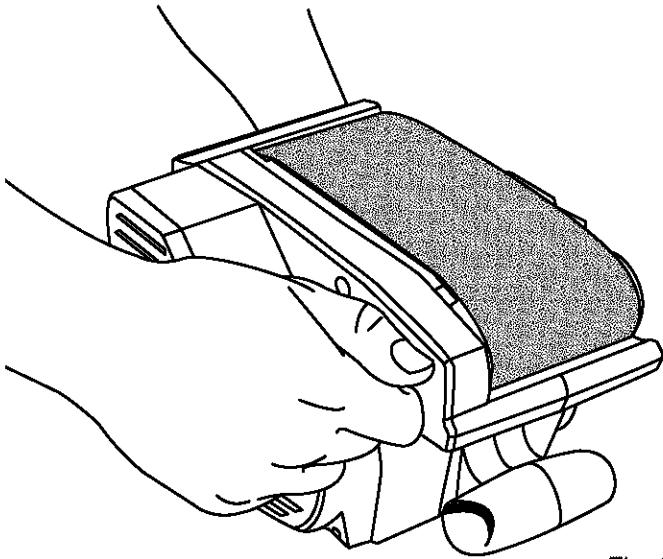


Fig. 5

- Depress the trigger switch and release immediately.
- Choose one of these options:
 - Sanding belt runs inward: Turn the tracking knob slowly clockwise.
 - Sanding belt runs outward: Turn the tracking knob slowly counterclockwise.

Note: Turn the tracking knob until you are sure the sanding belt is secure, i.e., it will not come off the sander or contact internal parts.

⚠ CAUTION: If the sanding belt wears excessively on the inner edge, it is probably adjusted too far inward and is rubbing against internal parts. If this is the case, readjust the tracking knob.

- Start the sander and fine adjust the tracking knob until the belt stabilizes.

⚠ WARNING: Keep hands and fingers away from a moving sanding belt. Any part of the body coming in contact with a moving sanding belt could result in serious injury. Do not wear loose clothing or jewelry when operating the sander. They could get caught in moving parts and foreign objects could get thrown away from the sander causing injury.

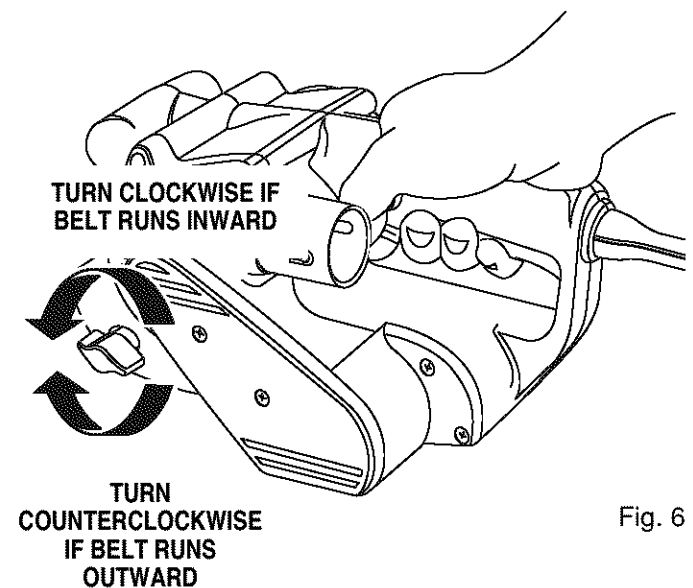


Fig. 6

OPERATION

USING THE DUST COLLECTION BAG

The dust collection bag provides a dust collection system for the sander.

- ▲ **WARNING:** Do not use the dust collection bag when sanding metal. Using the dust collection bag when sanding metal creates a fire hazard, which could damage the tool and lead to serious personal injury.

TO ATTACH THE DUST COLLECTION BAG

See Figure 7.

Follow these steps to attach the dust collection bag.

- Unplug the sander.
- ▲ **WARNING:** Failure to unplug the tool could result in serious injury due to accidental starting.
- Slide the dust bag retainer over the blower exhaust hole on the sander.

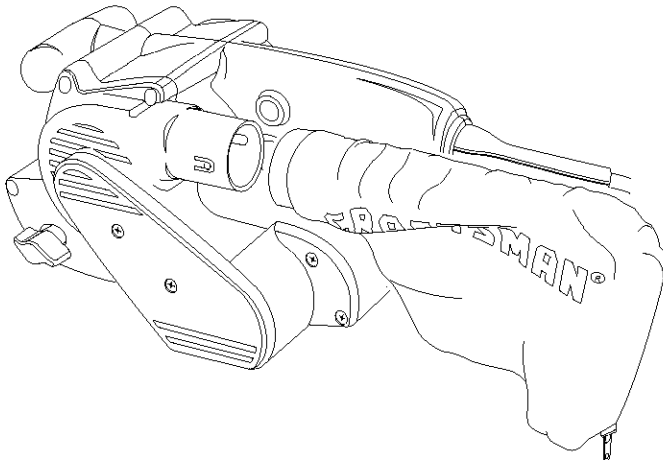


Fig. 7

TO EMPTY THE DUST COLLECTION BAG

For more efficient operation, empty the dust collection bag when it is no more than half full. This action permits the air to flow through the bag better. Always empty and clean the dust collection bag thoroughly upon completion of a sanding operation and before placing the sander in storage.

- ▲ **WARNING:** Collected sanding dust from sanding surface coatings such as polyurethanes, linseed oil, etc. can self-ignite in your sander dust collection bag or elsewhere and cause fire. To reduce the risk of fire always empty your dust bag frequently (10-15 minutes) while sanding and never store or leave a sander without totally emptying its dust bag. Also follow the recommendations of the coatings manufacturers.

Follow these steps to empty the dust collection bag.

- Unplug the sander.
- ▲ **WARNING:** Failure to unplug the tool could result in serious injury due to accidental starting.
- Remove the dust collection bag from the sander.
- Unzip the dust bag.
- Shake out the dust.
- Zip up the dust bag.
- Replace the dust collection bag.

Note: Periodically, you should turn the dust bag inside-out and thoroughly clean it.

TURNING ON/OFF THE SANDER

See Figure 8.

Follow these directions to turn the sander on and off.

- To turn on the sander: Depress the trigger switch.
- To turn off the sander: Release the trigger switch.

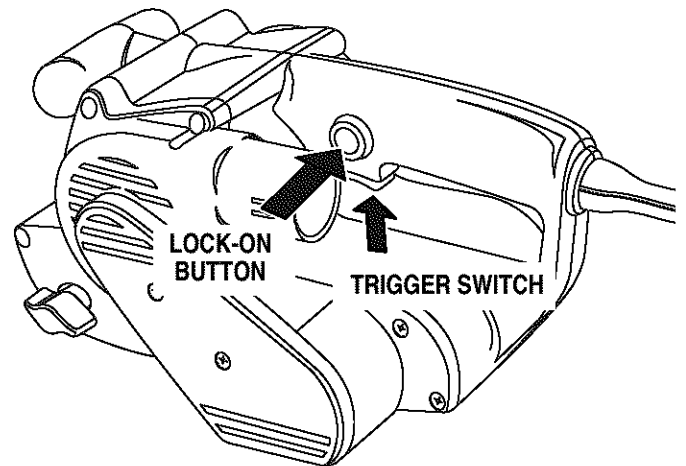


Fig. 8

OPERATION

LOCKING ON THE SANDER

See Figure 8.

The lock-on feature allows you to lock the trigger switch in the **On** position. Locking the trigger switch on allows you to operate the sander for extended periods of time.

If you have the lock-on feature engaged during use and the sander is accidentally disconnected from the power supply, disengage the lock-on feature immediately.

Also, do not lock the trigger switch if you might need to suddenly stop the sander.

WARNING: Before connecting the sander to a power supply, make sure it is not in the locked-on position. Failure to do so could result in accidental starting of the tool resulting in serious injury.

Follow these steps to lock on the sander.

- Depress the trigger switch.
- Push in the lock-on button.
- Release the trigger switch.
- Release the lock-on button.

Note: To release the lock, depress the trigger switch.

OPERATING THE SANDER

See Figure 9.

Follow these steps to operate the sander.

- Secure the work to prevent it from moving under the sander.

WARNING: Unsecured work could be thrown towards the operator causing injury.

- Turn the sander on and let the motor reach its maximum speed **before** placing the sander on the work surface.
- Lower the sander to the work surface with a slight forward motion.
- Move the sander slowly over the work surface, using the rear handle to control the sander and the front handle to guide the sander.

Note: Allowing the sander to remain in one place will result in an uneven surface.

WARNING: Keep a firm grip on the sander with both hands at all times. Failure to do so could result in loss of control leading to possible serious injury.

We designed the sander to provide the proper weight on the sanding belt. Excessive pressure will result in the following:

- Uneven work
- Clogged sanding belts
- Premature sanding belt wear
- Possible motor burnout
- Irregular sanding belt tracking

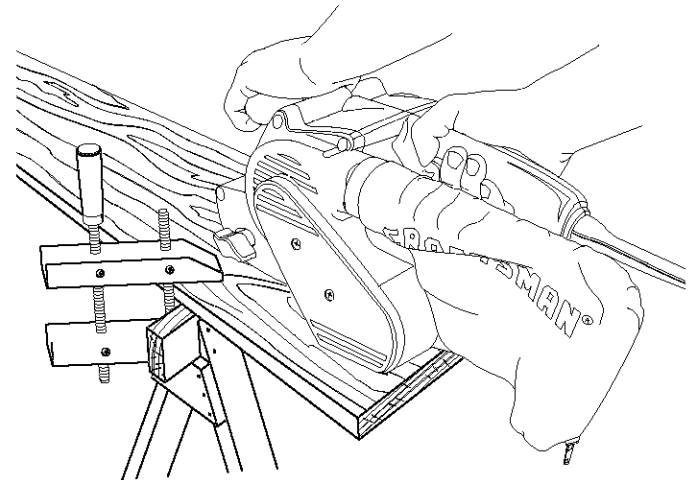


Fig. 9

OPERATION

PROPER HAND PLACEMENT

See Figure 10.

For ease of operation and maintaining proper control, the sander has a front handle and a rear handle. These handles allow two-handed operation, which aids in maintaining control, keeping the sanding area level with the workpiece, and keeping hands clear of the sanding belt. When operating the sander, always hold the front handle with your left hand and the rear handle with your right hand.

⚠ WARNING: Keep hands and fingers clear of moving sanding belt, front idler roller, and drive roller assembly. Failure to do so will result in serious personal injury.

⚠ WARNING: Do not let your fingers rest over the front or right edge of the sander. If the sanding belt were to run off, or if it were not properly adjusted, your fingers could come in contact with the moving sanding belt resulting in possible serious injury.

HELPFUL TIPS

- If the sanding belt slips or does not track while sanding, you may be applying too much pressure. When this occurs, remove the sander from the workpiece. If you properly adjust the belt tracking, the sanding belt will return to its normal and correct position on the drive roller and front roller.
- Use a coarser sanding belt for heavy sanding, not heavy pressure. The weight of the tool is sufficient to provide adequate pressure at the correct location.
- The front roller of the sander is not designed for contour sanding. Sanding on the front roller could cause irregularity in the sanding belt tracking.

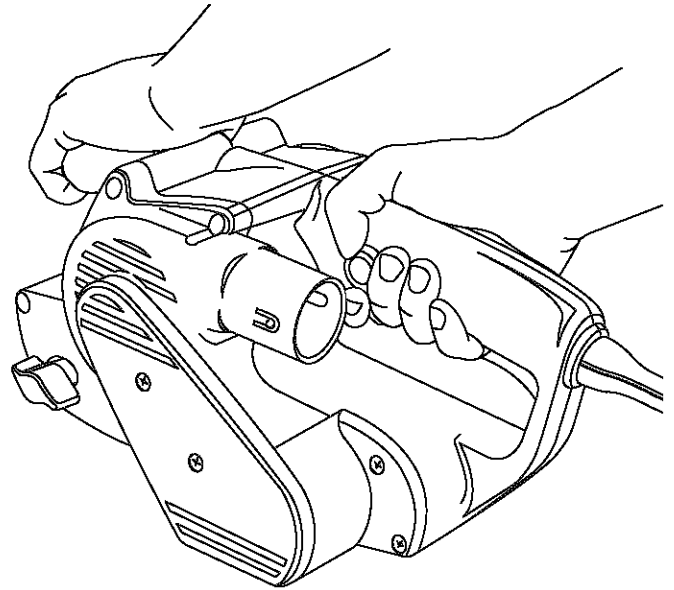




Fig. 10

MAINTENANCE


 **WARNING:** When servicing, use only identical Craftsman replacement parts. Use of any other part may create a hazard or cause product damage.

 **WARNING:** The belt sander should never be connected to a power supply when you are assembling parts, making adjustments, cleaning, performing maintenance, or when the tool is not in use. Disconnecting the tool prevents accidental starting that could cause serious injury.


GENERAL

Only the parts shown on the parts list are intended to be repaired or replaced by the customer. All other parts are an important part of the double insulation system and should be serviced only by a qualified Sears service technician.

Avoid using solvents when cleaning plastic parts. Most plastics are susceptible to damage from various types of commercial solvents and may be damaged by their use. Use clean cloths to remove dirt, carbon dust, etc.

 **WARNING:** Do not at any time let brake fluids, gasoline, petroleum-based products, penetrating oils, etc. come in contact with plastic parts. They contain chemicals that can damage, weaken, or destroy plastic.

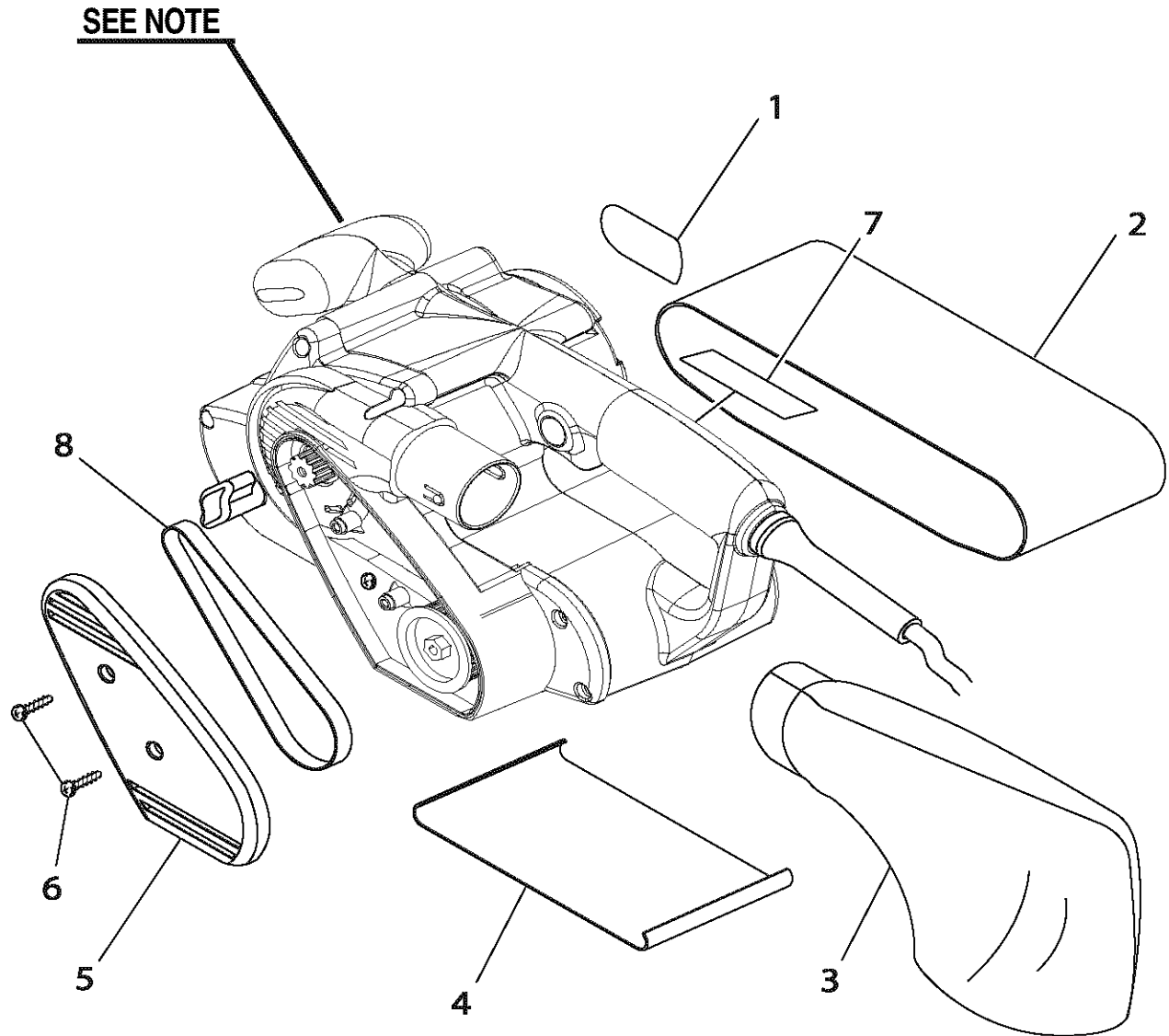
Electric tools used on fiberglass material, wallboard, spackling compounds, or plaster are subject to accelerated wear and possible premature failure because the fiberglass chips and grindings are highly abrasive to bearings, brushes, commutators, etc. Consequently, we do not recommend using this tool for extended work on these types of materials. However, if you do work with any of these materials, it is extremely important to clean the tool using compressed air.

 **WARNING:** Always wear safety goggles or safety glasses with side shields during power tool operation or when blowing dust. If operation is dusty, also wear a dust mask. Failure to do so could result in possible serious injury.

LUBRICATION

All the bearings in this tool are lubricated with a sufficient amount of high grade lubricant for the life of the tool under normal operating conditions. Therefore, no further lubrication is required.

CRAFTSMAN BELT SANDER – MODEL NUMBER 315.117250



Note: The assembly shown represents an important part of the double insulated system. To avoid the possibility of alteration or damage to the system, service should be performed by your nearest Sears repair center. Contact your nearest Sears retail store for service center information.

CRAFTSMAN BELT SANDER – MODEL NUMBER 315.117250

The model number will be found on a plate attached to the motor housing. Always mention the model number in all correspondence regarding your **BELT SANDER** or when ordering repair parts.

SEE BACK PAGE FOR PARTS ORDERING INSTRUCTIONS

PARTS LIST

Key No.	Part No.	Description	Qty.
1	9430401	Logo Label	1
2	***	* Sanding Belt	1
3	3002732	Dust Collection Bag	1
4	6956301	Bottom Plate	1
5	5940101	Belt Cover	1
6	6602002	* Screw (M4 X 14 mm)	2
7	9405746	Data Plate	1
8	5940701	Belt	1
	983000-169	Operator's Manual	1

* Standard Hardware Item -May Be Purchased Locally

*** Complete assortment available at your nearest Sears retail store