

30" ELECTRIC SLIDE-IN RANGE INSTALLATION INSTRUCTIONS

INSTALLATION AND SERVICE MUST BE PERFORMED BY A QUALIFIED INSTALLER.

IMPORTANT: SAVE FOR LOCAL ELECTRICAL INSPECTOR'S USE. READ AND SAVE THESE INSTRUCTIONS FOR FUTURE REFERENCE.

Do not pinch the power supply cord between the range and the wall.

Do not seal the range to the side cabinets.

**** NOTE:** 24" (61 cm) minimum clearance between the cooktop and the bottom of the cabinet when the bottom of wood or metal cabinet is protected by not less than 1/4" (0.64 cm) flame retardant millboard covered with not less than No. 28 MSG sheet metal, 0.015" (0.4 mm) stainless steel, 0.024" (0.6 mm) aluminum, or 0.020" (0.5 mm) copper.

30" (76.2 cm) minimum clearance when the cabinet is unprotected.

• **NOTE:** Allow at least 19 1/4" (48.9 cm) clearance for door depth when it is open.

• Door Open (see note)

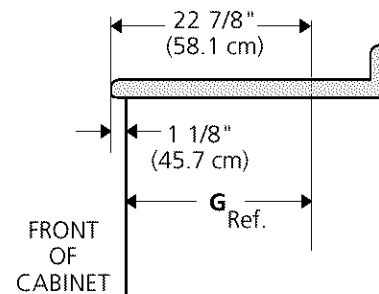
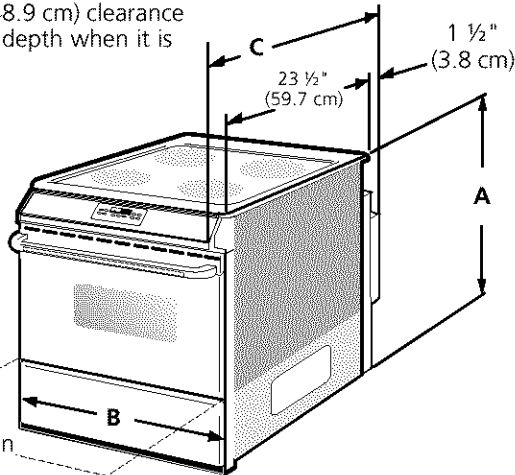
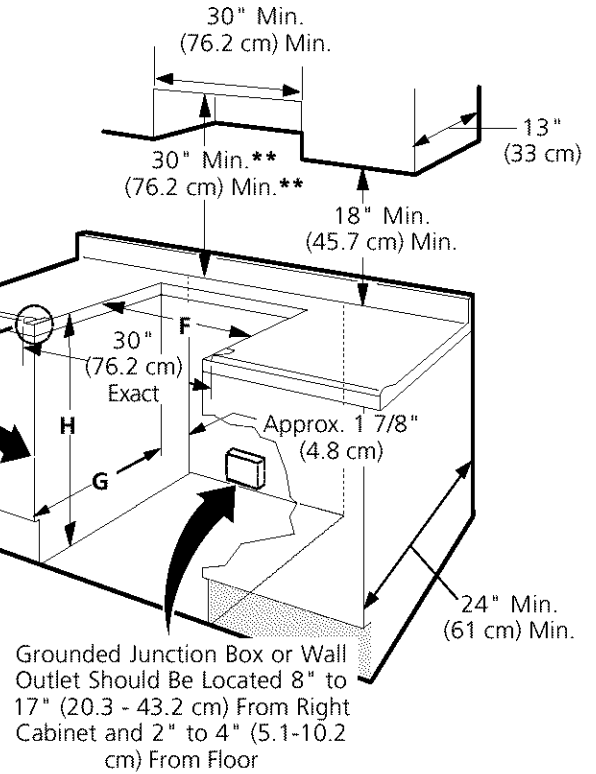
Shave Raised Edge To Clear 30" (76.2 cm) Wide Cooktop Rim.

1 1/2" Max. (3.8 cm Max.)

Locate Cabinet Doors 1" (2.5 cm) Min. From Cutout Opening

* **Note:** 29" (73.7 cm) Wide Opening For Overlapping Cooktop and Built-In Look.

If Installing Models With Optional Side Panels, Cutout Area Including Countertop Must Be At Least 30" (76.2 cm) Wide.



A. HEIGHT	B. WIDTH	C. DEPTH TO FRONT OF RANGE	F. MINIMUM CUTOUT WIDTH	G. CUTOUT DEPTH	H. HEIGHT OF COUNTERTOP
35 3/8" (90 cm) - 36 3/8" (92 cm)	30" (76.2 cm)	26 1/4" (66.7 cm)	29" (73.7 cm)	21 3/4" (55.2 cm)	36" (91.4 cm) standard 35 3/8" (90 cm) min.

G. Minimum cutout depth is increased to 24" (61 cm) with backguard.

P/N 318201600 (0201) Rev. C

English – pages 1-9

Español – páginas 10-18

Français – pages 19-27

30" ELECTRIC SLIDE-IN RANGE INSTALLATION INSTRUCTIONS

Important Notes to the Installer

1. Read all instructions contained in these installation instructions before installing range.
2. Remove all packing material from the oven compartments before connecting the electrical supply to the range.
3. Observe all governing codes and ordinances.
4. Be sure to leave these instructions with the consumer.

Important Note to the Consumer

Keep these instructions with your owner's guide for future reference.

IMPORTANT SAFETY INSTRUCTIONS

⚠ CAUTION Cold temperatures can damage the electronic control. When using the appliance for the first time, or when the appliance has not been used for an extended period of time, be certain the unit has been in temperatures above 32°F (0°C) for at least 3 hours before turning on the power to the appliance.

- Be sure your range is installed and grounded properly by a qualified installer or service technician.
- This range must be electrically grounded in accordance with local codes or, in their absence, with the National Electrical Code ANSI/NFPA No. 70—latest edition in United States or with CSA Standard C22.1, Canadian Electrical Code, Part 1 in Canada.

- The installation of appliances designed for manufactured (mobile) home installation must conform with Manufactured Home Construction and Safety Standard, title 24CFR, part 3280 [Formerly the Federal Standard for Mobile Home Construction and Safety, title 24, HUD (part 280)] or when such standard is not applicable, the Standard for Manufactured Home Installation 1982 (Manufactured Home Sites, Communities and Setups), ANSI Z225.1/NFPA 501A—latest edition, or with local codes in United States and with CAN/CSA-Z240 MH in Canada.

- **Make sure the wall coverings around the range can withstand the heat generated by the range.**
- **Before installing the range in an area covered with linoleum or any other synthetic floor covering, make sure the floor covering can withstand heat at least 90°F (32.2°C) above room temperature without shrinking, warping or discoloring.** Do not install the range over carpeting unless you place an insulating pad or sheet of ¼" (0.64 cm) thick plywood between the range and carpeting.

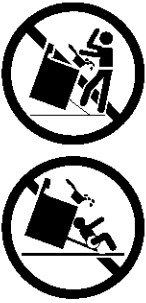
⚠ WARNING Never leave children alone or unattended in the area where an appliance is in use. As children grow, teach them the proper, safe use of all appliances. Never leave the oven door open when the range is unattended.

⚠ WARNING Stepping, leaning or sitting on the door or drawer of this range can result in serious injuries and can also cause damage to the range.

- **Do not store items of interest to children in the cabinets above the range.** Children could be seriously burned climbing on the range to reach items.
- **To eliminate the need to reach over the surface units, cabinet storage space above the units should be avoided.**
- **Do not use the oven as a storage space.** This creates a potentially hazardous situation.
- **Never use your range for warming or heating the room.** Prolonged use of the range without adequate ventilation can be dangerous.
- **Do not store or use gasoline or other flammable vapors and liquids near this or any other appliance.** Explosions or fires could result.
- **Reset all controls to the "off" position after using a programmable timing operation.**

FOR MODELS WITH SELF-CLEAN FEATURE:

- **Remove broiler pan, food and other utensils before self-cleaning the oven.** Wipe up excess spillage. Follow the precleaning instructions in the Owner's Guide.

	⚠ WARNING	⚠ WARNING TO REDUCE
	<ul style="list-style-type: none">• ALL RANGES CAN TIP.• INJURY TO PERSONS COULD RESULT.• INSTALL ANTI-TIP DEVICE PACKED WITH RANGE.	<p>THE RISK OF TIPPING OF THE RANGE, THE RANGE MUST BE SECURED BY PROPERLY INSTALLED ANTI-TIP BRACKET(S) PROVIDED WITH THE RANGE. TO CHECK IF THE BRACKET(S) IS INSTALLED PROPERLY, GRASP THE TOP REAR EDGE OF THE RANGE AND CAREFULLY TILT IT FORWARD TO MAKE SURE THE RANGE IS ANCHORED.</p>

30" ELECTRIC SLIDE-IN RANGE INSTALLATION INSTRUCTIONS

1. Power Supply Cord Kit (U.S.A.)

The user is responsible for connecting the power supply cord to the connection block located behind the back panel access cover.

This appliance may be connected by means of permanent "hard wiring" (flexible armored or nonmetallic shielded copper cable), or by means of a power supply cord kit. Only a power supply cord kit rated at 125/250 volts minimum, 40 amperes and marked for use with ranges shall be used. See chart for cord kit connection opening size information. Cord must have either 3 or 4 conductors.

For mobile home, new installations, recreational vehicles, or areas where local codes do not permit grounding through neutral, a 4 conductor power supply cord kit rated at 125/250 volts minimum, 40 amperes and marked for use with ranges should be used (see Figure 5).

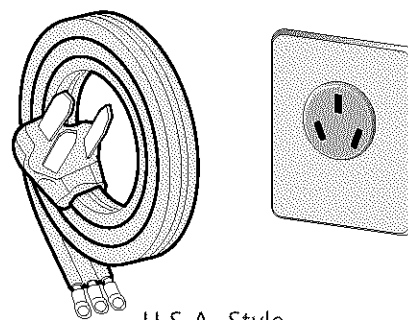
Terminals on end of wires must be either closed loop or open-end spade lugs with upturned ends. Cord must have strain-relief clamp.

See below for 3 or 4 conductor wire connection.

Range Connection Opening Size Chart				
Refer to chart below for proper range connection opening size and power supply cord kit ampere rating information. See serial plate on appliance for kilowatt rating data.				
See serial Plate on the Appliance for KW Rating		Cord Kit Ampere Rating	Diameter (inches (cm)) of Appliance Connection Opening	
120/240 Volts	120/208 Volts		Cord Kit	Direct Connection
0 - 8.7 kw	0 - 7.8 kw	30 Amp	1 1/8 (2.9)	7/8 (2.2)
8.8 - 16.5 kw	7.9 - 12.5 kw	40 Amp	1 3/8 (3.5)	1 1/8 (2.9)
16.6 - 22.5 kw	12.6 - 18.5 kw	50 Amp	1 3/8 (3.5)	1 3/8 (3.5)

NOTE: Electric Slide-in Range is shipped from factory with 1 1/8" (2.9 cm) dia. hole as shown on figure 4. If a larger hole is required, punch out the knockout.

⚠ WARNING Risk of fire or electrical shock exists if an incorrect size range cord kit is used, the Installation Instructions are not followed, or the strain relief bracket is discarded.

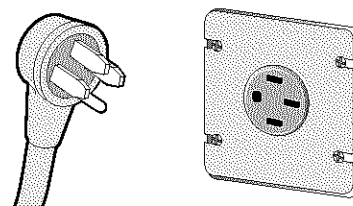


U.S.A. Style
Figure 1

⚠ CAUTION Do not loosen the nuts which secure the factory-installed range wiring to terminal block while connecting range. Electrical failure or loss of electrical connection may occur.

2. Factory Connected Power Supply Cord (Canada only)

This range is equipped with a factory-connected power cord (see Figure 2). Cord must be connected to a grounded 120/240 volt or 120/208 volt range outlet. If not outlet is available, have one installed by a qualified electrician.



Canada Style
Figure 2

⚠ WARNING

Electrical Shock Hazard

- Electrical ground is required on this appliance.
- Do not connect to the electrical supply until appliance is permanently grounded.
- Disconnect power to the circuit breaker or fuse box before making the electrical connection.
- This appliance must be connected to a grounded, metallic, permanent wiring system, or a grounding connector should be connected to the grounding terminal or wire lead on the appliance.

Failure to do any of the above could result in a fire, personal injury or electrical shock.

30" ELECTRIC SLIDE-IN RANGE INSTALLATION INSTRUCTIONS

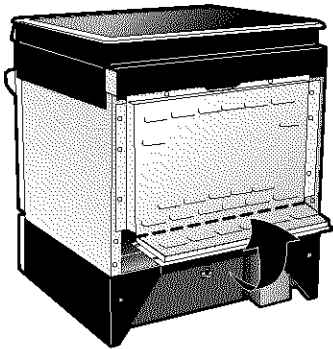
3. Electrical Connection to the Range (U.S.A.)

This appliance is manufactured with the neutral terminal connected to the frame.

Three Conductor Wire Connection to Range

(The 3-conductor cord or cable must be replaced with a 4-conductor cord or cable where grounding through the neutral conductor is prohibited in new installations, mobile homes, recreational vehicles or in other areas where local codes do not permit neutral grounding) If local codes permit connection of the frame grounding conductor to the neutral wire of the copper power supply cord (see Figure 4).

1. Remove the 3 screws at the lower end of the rear wire cover, then bend the lower end of the rear wire cover (access cover) upward to expose range terminal connection block (see Figure 3).



BEND REAR WIRE COVER HERE FOR ACCESS TO TERMINAL BLOCK

Figure 3

2. Remove the 3 loose nuts (after you remove the rubber band) on the terminal block using 3/8" nut driver or socket.
3. Connect the neutral of the copper power supply cord to the center silver-colored terminal of the terminal block, and connect the other wires to the outer terminals. Match wires and terminals by color (red wires connected to the right terminal, black wires connected to the left terminal).
4. Replace the 3 nuts on the terminal block (see figure 4).
5. Lower the terminal cover and replace the 3 screws.

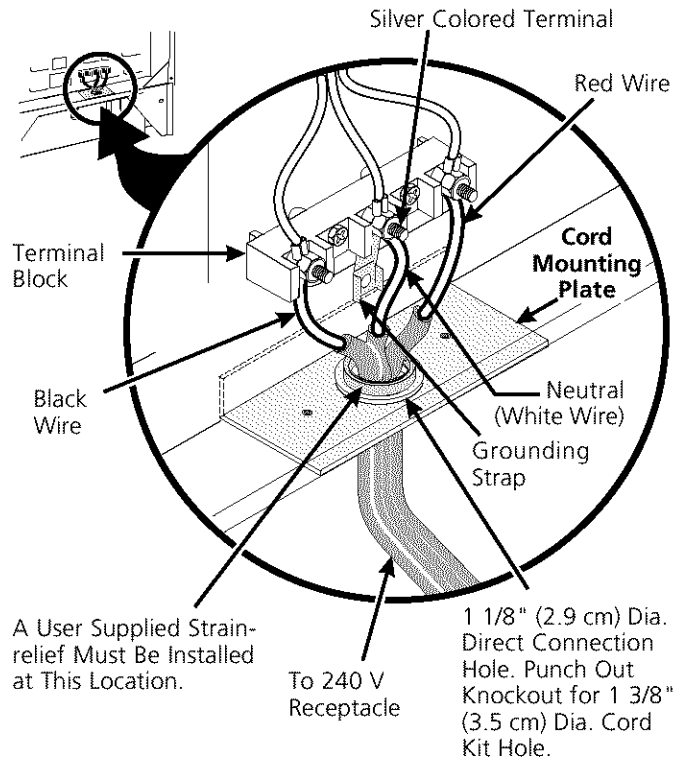
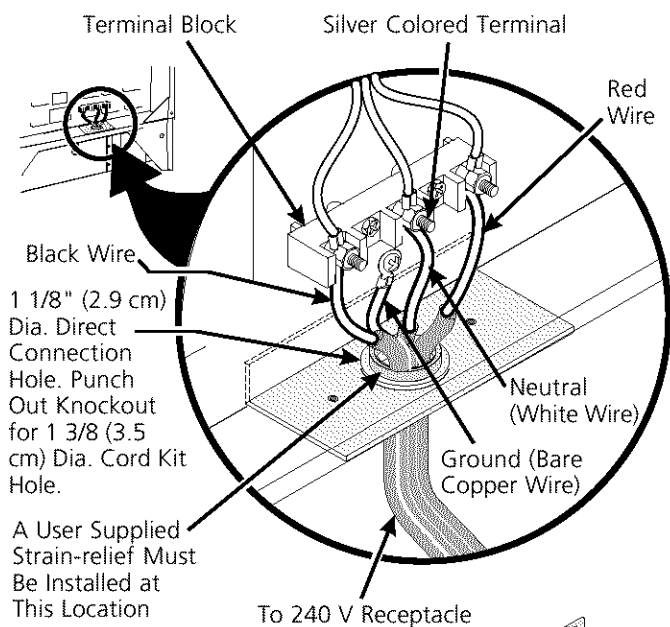


Figure 4

30" ELECTRIC SLIDE-IN RANGE INSTALLATION INSTRUCTIONS

Four Conductor Wire Connection to Range (mobile homes)

1. Remove the 3 screws at the lower end of the rear wire cover, then raise the lower end of the rear wire cover (access cover) upward to expose range terminal connection block (see figure 3).
2. Remove the 3 loose nuts (after you remove the rubber band) on the terminal block using a 3/8" nut driver or socket.
3. Remove the ground strap from the terminal block and from the appliance frame.
4. Connect the ground wire (green) of the copper power supply cord to the frame of the appliance with the ground screw, using the hole in the frame where the ground strap was removed (see Figure 5).
5. Connect the neutral of the copper power supply cord to the center silver-colored terminal of the terminal block, and connect the other wires to the outer terminals. Match wires and terminals by color (red wires connected to the right terminal, black wires connected to the left terminal).
6. Replace the 3 nuts on the terminal block (see figure 5).
7. Lower the terminal cover and replace the 3 screws.



NOTE: Be sure to remove the supplied grounding strap.

Figure 5

Direct Electrical Connection to the Circuit Breaker, Fuse Box or Junction Box

If the appliance is connected directly to the circuit breaker, fuse box or junction box, use flexible, armored or nonmetallic sheathed copper cable (with grounding wire). Supply a U.L. listed strain-relief at each end of the cable. At the appliance end, the cable goes through the Direct Connection Hole (see Figure 5) on the Cord Mounting Plate. Wire sizes (**copper wire only**) and connections must conform to the rating of the appliance.

Where local codes permit connecting the appliance-grounding conductor to the neutral (white) wire (see Figure 6):

(The 3-conductor cord or cable must be replaced with a 4-conductor cord or cable where grounding through the neutral conductor is prohibited in new installations, mobile homes, recreational vehicles or in other areas where local codes do not permit neutral grounding)

1. Disconnect the power supply.
2. In the circuit breaker, fuse box or junction box:
 - a) Connect the green (or bare copper) wire, the white appliance cable wire, and the neutral (white) wire together.
 - b) Connect the 2 black wires together.
 - c) Connect the 2 red wires together.

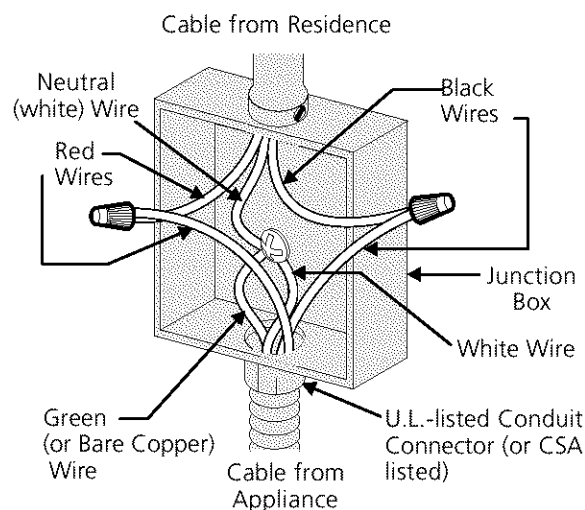
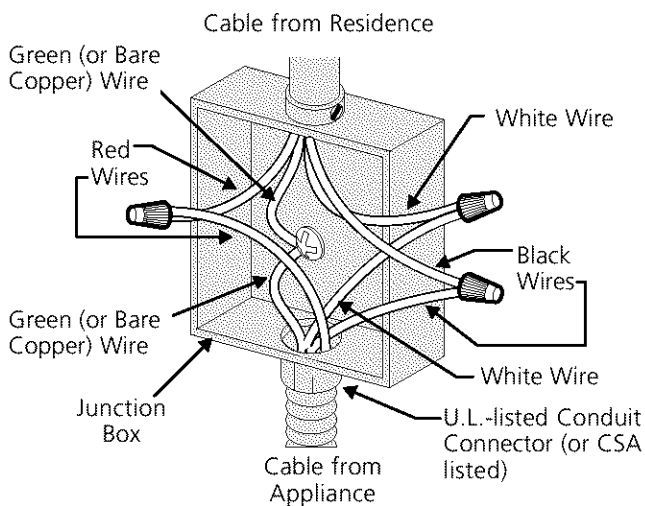


Figure 6
3-Wire (Grounded Neutral) Electrical System
(Example: Junction Box)

30" ELECTRIC SLIDE-IN RANGE INSTALLATION INSTRUCTIONS

Where local codes DO NOT permit connecting the appliance-grounding conductor to the neutral (white) wire, or if connecting to 4-wire electrical system (see Figure 7):

1. Disconnect the power supply.
2. Separate the green (or bare copper) and white appliance cable wires.
3. In the circuit breaker, fuse box or junction box:
 - a) Connect the white appliance cable wire to the neutral (white) wire.
 - b) Connect the 2 black wires together.
 - c) Connect the 2 red wires together.
 - d) Connect the green (or bare copper) grounding wire to the grounding wire of the circuit breaker, fuse box or junction box.



**Figure 7 – 4-Wire Electrical System
(Example: Junction Box)**

4. Cabinet Construction

CAUTION To eliminate the risk of burns or fire by reaching over heated surface units, cabinet storage space located above the range should be avoided. If cabinet storage space is to be provided, the risk can be reduced by installing a range hood that projects horizontally a minimum of 5" (12.7 cm) beyond the bottom of the cabinet.

Countertop Preparation

The cooktop sides of the range fit over the cutout edge of your countertop.

If you have a **square finish (flat) countertop**, no countertop preparation is required.

Formed front-edged countertops must have molded edge shaved flat 1/4" (0.64 cm) from each front corner of opening.

Tile countertops may need trim cut back 1/4" (0.64 cm) from each front corner and/or rounded edge flattened.

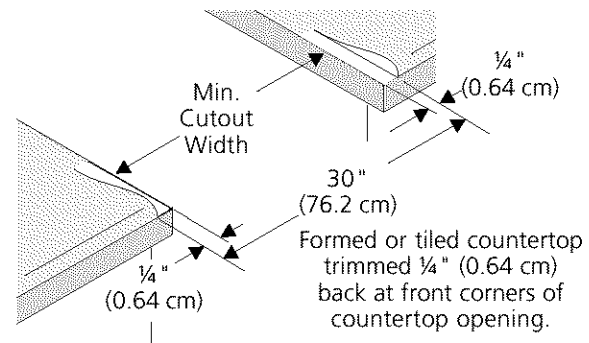


Figure 8

If the countertop opening width is greater than the minimum cutout width, adjust the 1/4" (0.64 cm) dimension.

Countertop must be level. Place a level on the countertop, first side to side, then front to back. If the countertop is not level, the range will not be level. The oven must be level for satisfactory baking results. Cooktop sides of range fit over edges of countertop opening.

30" ELECTRIC SLIDE-IN RANGE INSTALLATION INSTRUCTIONS

5. Range Installation

CAUTION When unpacking the range, do not discard the 4 shipping bolts. These are to be replaced on the unit for use as leveling legs and height adjustments.

1. Installation Without Side Panel(s)

- A. The range cooktop overlaps the countertop at the sides and the range rests on the floor. The cooktop is 30" (76.2 cm) wide.
- B. Install base cabinets 29" (73.7 cm) apart. Make sure they are plumb and level before attaching cooktop. Shave raised countertop edge to clear 30" (76.2 cm) wide range top rim.
- C. Install cabinet doors 31" (78.7 cm) min. apart so as not to interfere with range door opening.
- D. Cutout countertop exactly as shown on page 1.
- E. A backguard kit can be ordered through your dealer.
- F. Adjust leveling legs so that the underside of the cooktop is sitting on the countertop.
- G. **Level the range. The floor where the range is to be installed must be level** (see Figure 9).

2. Installation With Side Panel(s)

- A. Install base cabinets 30 1/8" (76.5 cm) min. apart. Make sure they are plumb and level.
- B. Install cabinet doors 31" (78.7 cm) min. apart so as not to interfere with range door opening.
- C. A backguard kit can be ordered through your dealer.
- D. An end panel kit can be ordered through your dealer.
- E. Level the range and adjust cooktop height.

3. Installation With Backguard

The cutout depth of 21 5/8" (55 cm) needs to be increased to 24" (61 cm) when installing a backguard.

6. Leveling the Range

Level the range and set cooktop height before installation in the cut-out opening.

1. Install an oven rack in the center of the oven.
2. Place a level on the rack. Take 2 readings with the level placed diagonally in one direction and then the other. Level the range, if necessary, by adjusting the 4 leg levelers with a wrench (see Figure 12).
3. Taking care to not damage the countertop, slide range into cut-out opening and double check for levelness. If the range is not level, pull unit out and readjust leveling legs, or make sure floor is level.

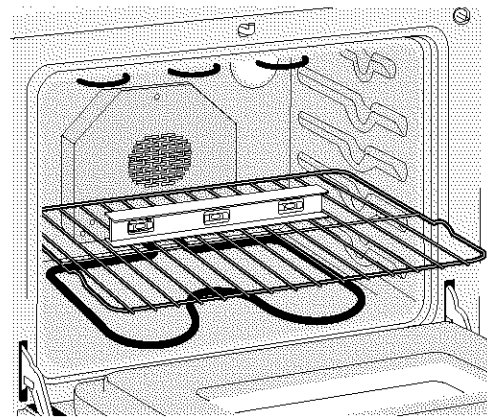


Figure 9

30" ELECTRIC SLIDE-IN RANGE INSTALLATION INSTRUCTIONS

7. Check Operation

Refer to the Owner's Guide packaged with the range for operating instructions and for care and cleaning of your range.

CAUTION Do not touch the elements. They may be hot enough to cause burns.

Remove all packaging from the oven before testing.

1. Operation of Surface Elements

Turn on each of the four surface elements and check to see that they heat. Check the surface element indicator light(s), if equipped.

2. Operation of Oven Elements

The oven is equipped with an electronic oven control. Each of the functions has been factory checked before shipping. However, it is suggested that you verify the operation of the electronic oven controls once more. Refer to the Owner's Guide for operation. Follow the instructions for the Clock, Timer, Bake, Broil, Convection (some models) and Clean functions.

Bake—After setting the oven to 350°F (177°C) for baking, the lower element in the oven should become red.

Broil—When the oven is set to BROIL, the upper element in the oven should become red.

Clean—When the oven is set for a self-cleaning cycle, the upper element should become red during the preheat portion of the cycle. After reaching the self-cleaning temperature, the lower element will become red.

Convection (some models)—When the oven is set to CONV. BAKE/ROAST at 350°F (177°C), both elements cycle on and off alternately and the convection fan will turn. The convection fan will stop turning when the oven door is opened during convection baking or roasting.

Warmer Drawer (some models)—Set the control knob to HI and check to see the drawer is heating.

When All Hookups are Complete

Make sure all controls are left in the OFF position.

Model and Serial Number Location

The serial plate is located on the oven front frame behind the oven door (some models) or behind the drawer (some models).

When ordering parts for or making inquiries about your range, always be sure to include the model and serial numbers and a lot number or letter from the serial plate on your range.

Before You Call for Service

Read the Avoid Service Checklist and operating instructions in your Owner's Guide. It may save you time and expense. The list includes common occurrences that are not the result of defective workmanship or materials in this appliance.

Refer to the warranty and service information in your Owner's Guide for our phone number and address. Please call or write if you have inquiries about your range product and/or need to order parts.

8. Optional Anti-Tip Screws

(Lift-top Models Only)

Raise the lift-up cooktop and support it with cooktop support rod. Drill 1/8" (0.3 cm) diameter pilot holes into countertop using holes in upper side panels as a template. Fasten the upper side panels to the countertop with screws provided in a plastic bag in the oven.

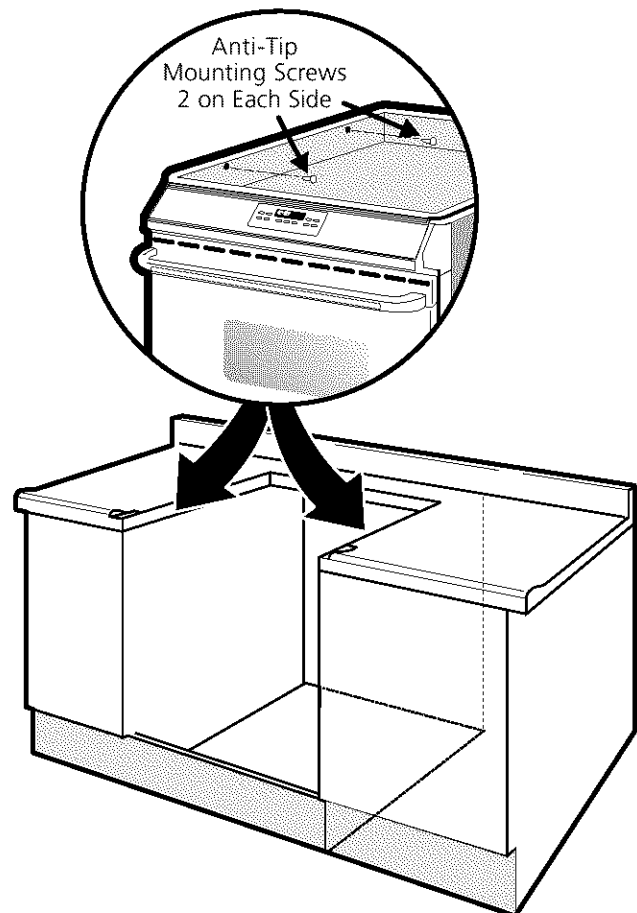


Figure 10

30" ELECTRIC SLIDE-IN RANGE INSTALLATION INSTRUCTIONS

9. Important Safety Warning

To reduce the risk of tipping of the range, the range must be secured to the floor by properly installed anti-tip brackets and screws packed with the range. Those parts are located in a plastic bag in the oven. Failure to install the anti-tip brackets will allow the range to tip over if excessive weight is placed on an open door or if a child climbs upon it. Serious injury might result from spilled hot liquids or from the range itself.

Follow the instructions below to install the anti-tip brackets.

If range is ever moved to a different location, the anti-tip brackets must also be moved and installed with the range. To check for proper installation, see step 5.

Tools Required:

5/16" Nutdriver or Flat Head Screwdriver
Adjustable Wrench
Electric Drill
3/16" Diameter Drill Bit
3/16" Diameter Masonry Drill Bit (if installing in concrete)

Anti-Tip Brackets Installation Instructions

Brackets attach to the floor at the back of the range to hold both rear leg levelers. When fastening to the floor, be sure that screws do not penetrate electrical wiring or plumbing. The screws provided will work in either wood or concrete.

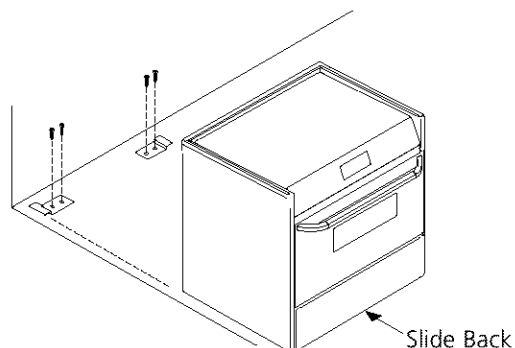
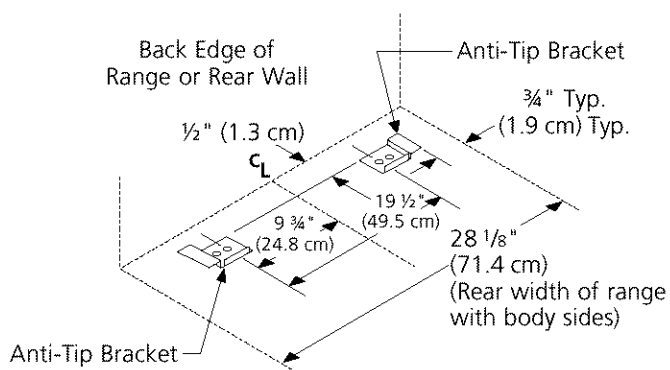


Figure 11

1. Unfold paper template and place it flat on the floor with the back and side edges positioned exactly where the back and sides of range will be located when installed. (Use the diagram below to locate brackets if template is not available.)
2. Mark on the floor the location of the 4 mounting holes shown on the template. For easier installation, 3/16" (0.5 cm) diameter pilot holes 1/2" (1.3 cm) deep can be drilled into the floor.
3. Remove template and place brackets on floor with turned up flange to the front. Line up holes in brackets with marks on floor and attach with 4 screws provided. Brackets must be secured to solid floor. If attaching to concrete floor, first drill 3/16" (0.5 cm) dia. pilot holes using a masonry drill bit.
4. Level range if necessary, by adjusting 4 leg levelers with wrench. (See Figure 12 below.) A minimum clearance of 1/8" (0.8 cm) is required between the bottom of the range and the rear leg levelers to allow room for the anti-tip brackets.
5. Slide range into place making sure rear legs are trapped by ends of brackets. Range may need to be shifted slightly to one side as it is being pushed back to allow rear legs to align with brackets. You may also grasp the top rear edge of the range and carefully attempt to tilt it forward to make sure range is properly anchored.

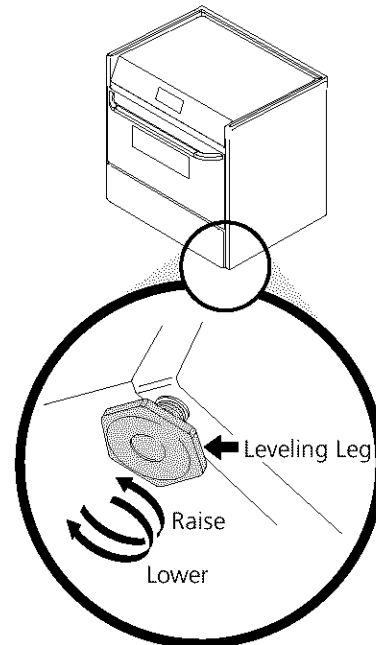


Figure 12

INSTRUCCIONES DE INSTALACION PARA LA ESTUFA ELECTRICA DESLIZABLE DE 30"

LA INSTALACIÓN Y EL SERVICIO DEBEN SER EFECTUADOS POR UN INSTALADOR CALIFICADO.

IMPORTANTE: GUARDE ESTAS INSTRUCCIONES PARA USO DEL INSPECTOR LOCAL DE ELECTRICIDAD.

LEA Y GUARDE ESTAS INSTRUCCIONES PARA REFERENCIA FUTURA.

No pellizque el cordón eléctrico entre la estufa y la pared.

No selle la estufa a los armarios de lado.

**** NOTA:** Un espacio mínimo de 24" (61 cm) entre la superficie de la estufa y el fondo del armario cuando el fondo del armario de madera o metal está protegido por no menos de 1/4" (0.64 cm) de madera resistente al fuego cubierta por una lámina metálica de MSG, número 28, 0.015" (0.4 mm) de acero inoxidable, 0.024" (0.6 mm) aluminio, ó 0.020" (0.5 mm) de cobre.

Un espacio mínimo de 30" (76.2 cm) cuando el armario no está protegido.

• NOTA: Deje por los 19 1/4" (48.9 cm) de espacio libre para la profundidad de la puerta cuando esta abierta.

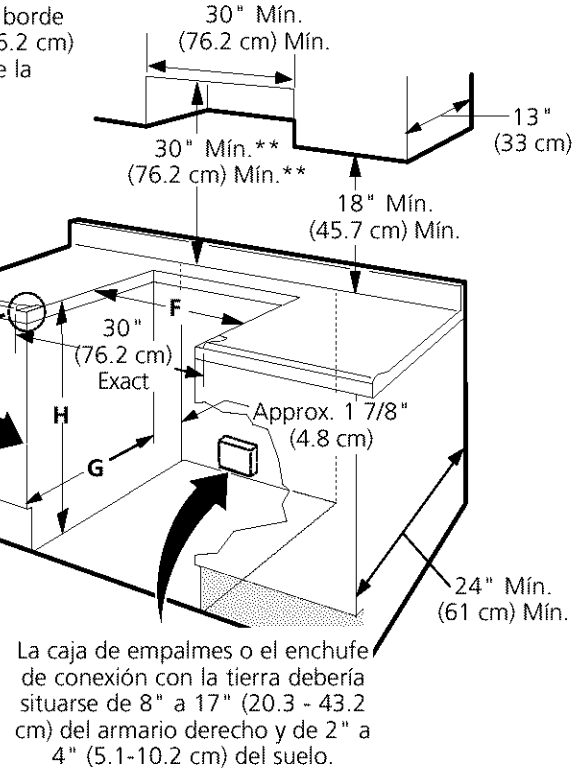
Lije la parte elevada del borde para obtener las 30" (76.2 cm) de ancho del reborde de la plancha de cocinar.

1 1/2" Máx. (3.8 cm Máx.)

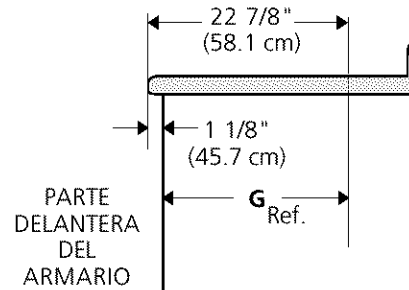
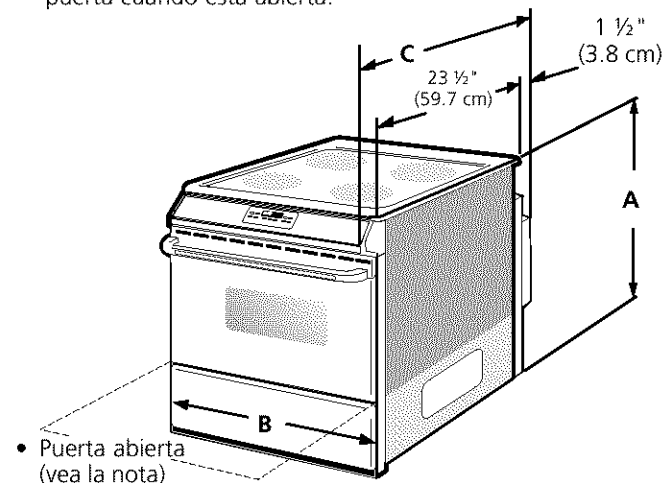
Localise las puertas del armario 1" (2.5 cm) mín. del hueco de la abertura.

*** Nota:** 29" (73.7 cm) Anchura de la abertura para plancha traslapada y apariencia encerrada.

Para la instalación de modelos con paneles laterales opcionales, el área del hueco incluyendo el armario debe de estar 30" (76.2 cm) de anchura mínimo.



La caja de empalmes o el enchufe de conexión con la tierra debería situarse de 8" a 17" (20.3 - 43.2 cm) del armario derecho y de 2" a 4" (5.1-10.2 cm) del suelo.



A. ALTURA	B. ANCHURA	C. PROFUNDIDAD A LA FENTE DE LA ESTUFA	F. ANCHURA MÍNIMA DE RECORTADO	G. PROFUNDIDAD MÍNIMA DE RECORTADO	H. ALTURA DEL MOSTRADOR
35 3/8" (90 cm) - 36 3/8" (92 cm)	30" (76.2 cm)	26 1/4" (66.7 cm)	29" (73.7 cm)	21 3/4" (55.2 cm)	36" (91.4 cm) norma 35 3/8" (90 cm) mín.

G. La profundidad mínima de recortado se aumenta a 24" (61 cm) con el uso de un protector trasero.

Notas importantes para el instalador

1. Lea todas las instrucciones antes de instalar la cocina.
2. Retire todo material de empaquetado del horno y de la gaveta de entibiado antes de conectar el suministro eléctrico a la cocina.
3. Observe todo código o reglamento.
4. Asegúrese de dejar estas instrucciones con el consumidor

Nota importante para el consumidor

Mantenga estas instrucciones con el manual del usuario para futuras referencias.

INSTRUCCIONES DE SEGURIDAD IMPORTANTES

⚠ ADVERTENCIA Los controles eléctricos pueden ser dañados con frías temperaturas. Cuando utilice su estufa por la primera vez, o si no ha sido utilizada por mucho tiempo asegúrese que no haya sido expuestas a temperaturas más altas que 32°F / 0°C por más de 3 horas antes de conectar su electrodoméstico al suministro eléctrico.

- Asegúrese que su cocina está instalada y conectada adecuadamente a tierra por un instalador calificado o un técnico de servicio.
- Este cocina debe ser eléctricamente puesta a tierra de acuerdo con los códigos locales o, en su ausencia, con el Código Eléctrico Nacional ANSI/NFPA No. 70— última edición en los Estados Unidos, o el código Eléctrico Canadiense CSA Standard C22.1, Part 1, en Canadá.
- La instalación de electrodomésticos destinados para casas (movibles) deben conformarse con la Manufactured Home Construction and Safety Standard, título 24CFR, parte 3280 [antiguamente la Federal Standard for Mobile Home Construction and Safety, título 24, HUD (parte 280)] o cuando este

código no se aplica, la Standard for Manufactured Home Installation 1982 (Manufactured Home sites, communities and setups); ANSIZ225.1/NFPA 501A-última edición o con códigos locales en los Estados Unidos, o el CAN/CSA-Z240 MH en Canadá.

- Asegúrese que el empapelado de pared alrededor de la cocina pueda resistir el calor generado por la cocina.
- Antes de instalar la cocina en una área cubierta de linoleo o cualquier otro revestidor de piso sintético, asegúrese que éste pueda resistir al menos 90°F (32.2°C) sobre la temperatura de la pieza sin encogerse, ladearse o descolorisarse. No instale la cocina encima de una alfombra a menos que coloque una placa de aislamineto o una plancha de ¼" (0.64 cm) de madera entre la cocina y el alfombrado.

⚠ ADVERTENCIA Nunca deje a los niños solos o sin cuidado en el area donde el electrodoméstico está en uso. A medida que los niños crezcan, enséñeles el uso adecuado de los electrodomésticos. Nunca deje la puerta del horno abierta cuando la cocina esté sin supervisión.

⚠ ADVERTENCIA Pisar, apoyarse o sentarse en las puertas o los cajones de la cocina pueden causar graves hendiduras y también dañar la cocina.

- No coloque cosas que atraigan a los niños sobre los gabinetes encima de la cocina. Los niños podrían sufrir quemaduras tratando de alcanzarlos.
- Para eliminar la necesidad de ir a buscar algo por encima de los quemadores, no coloque gabinetes por encima de éstos.
- No use el horno como espacio de almacenamiento. Esto crea una situación muy peligrosa.
- Nunca use su cocina para calentar la pieza. El uso prolongado de la cocina sin ventilación adecuada puede ser peligroso.
- No guarde o use gasolina u otros vapores inflamables y líquidos cerca de éste o cualquier otro electrodoméstico. Esto podría causar una explosión o un incendio.
- Vuelva a programar todos los controles a la posición "off" (apagado) después de haber utilizado el conteo contador automático.

PARA LOS MODELOS CON AUTO-LIMPIEZA:

- Retire el rostizador, la comida y otros utensilios antes de auto-limpiar el horno. Limpie todo exceso de derrames. Siga las instrucciones para la pre-limpieza en el Manual del usuario.

	<p>⚠ ADVERTENCIA</p> <ul style="list-style-type: none"> • Todas las cocinas pueden inclinarse. • Esto puede provocar lesiones personales • Instale el dispositivo anti-inclinación que viene con la cocina. 	<p>⚠ ADVERTENCIA Para reducir el riesgo de inclinación de la cocina, ésta debe estar ajustada correctamente con las fijaciones anti inclinación que vienen con la cocina. Para verificar si las fijaciones estan instaladas adecuadamente, agarre la parte superior del borde posterior de la cocina y inclínela hacia adelante cuidadosamente para asegurar que la cocina esta sujeta.</p>
---	---	--

1. Estuche de cable del suministro eléctrico (U.S.A.)

El utilizador es responsable de la conexión del cable del suministro eléctrico al bloque de conexión situado detrás del panel de acceso.

Este electrodoméstico puede ser conectado por medio de una "conexión directa" de cables permanentes (cable blindado flexible o no metálico recubierto de cobre), o por medio de un ensamblaje de cordón de suministro eléctrico. Solamente un ensamblaje de cordón de suministro eléctrico con régimen de 125/250 voltios mínimo, 40 amperios y marcado para uso con cocinas debe ser utilizado. Vea la tabla (página próxima) para información sobre el tamaño de abertura de la conexión del ensamblaje de cordón. El cordón debe de tener 3 o 4 conductores.

Para las casas sobre ruedas, las nuevas instalaciones, en los vehículos de recreación o en las áreas donde los códigos locales no permiten la conexión del conductor a tierra al neutro, un ensamblaje de suministro eléctrico de 4 conductores para estufas, clasificado a 125/250 voltios mínimo, 40 amperios mínimo, debe de ser utilizado (ver la figura 5).

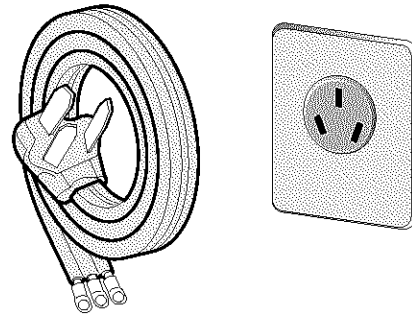
Los bornes a la extremidad de los alambres deben ser a curvas cerradas o con extremidades de lengüetas en forma de U abiertas y curvadas. El cordón debe de tener una abrazadera releva de anclaje.

Ver la tabla de arriba para conexión de alambres de 3 o 4 conductores.

Tabla de tamaño de abertura de conexión de cocina				
Referirse a la tabla de arriba para el tamaño de abertura de conexión de cocina adecuada, y la información sobre el régimen de amperios del ensamblaje de cordón de suministro eléctrico.				
Vea la placa de serie de la cocina para información sobre el régimen de kilovatio.		Régimen de amperios de ensamblaje del cordón	Diámetro (pulgadas (cm)) de abertura de conexión de cocina.	
120/240 Volts	120/208 Volts		Ensamblaje del cordón	Connect. directa
0 - 8.7 kw	0 - 7.8 kw	30 Amp	1 1/8 (2.9)	7/8 (2.2)
8.8 - 16.5 kw	7.9 - 12.5 kw	40 Amp	1 3/8 (3.5)	1 1/8 (2.9)
16.6 - 22.5 kw	12.6 - 18.5 kw	50 Amp	1 3/8 (3.5)	1 3/8 (3.5)

NOTA: La cocina corrediza eléctrica viene de fabrica con un agujero de diámetro 1 1/8" (2.9 cm) como se muestra en la figura 4. Si un agujero mas largo está necesario retire la arandela de la pre-cortada.

⚠ ADVERTENCIA El riesgo de fuego o de choque eléctrico puede aparecer si usa el tamaño de cable incorrecto, si las instrucciones de instalación no son seguidas o si retira la abrazadera de releva.

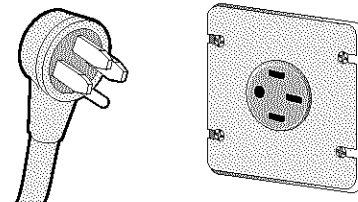


Estilo Estados Unidos
Figura 1

⚠ PRECAUCION No desajuste las tuercas que aseguran la conexión de la cocina al bloque terminal cuando esté instalándola. El corte o la perdida de corriente eléctrica puede ocurrir.

2. Cordón de fuente de energía conectado de fabrica (Canadá solamente)

Esta estufa viene de fabrica equipada con un cordón de fuente de energía (vea a la figura 2). El cordón debe de ser conectado a una toma de corriente a tierra de 120/240 voltios o de 120/208 voltios. Si no hay una toma de corriente a tierra en la habitación, debe de ser instalada por un técnico calificado.



Estilo Canadá
Figura 2

⚠ ADVERTENCIA

Peligro de choque eléctrico

- La conexión a tierra es requerida para este electrodoméstico.
 - No conecte al suministro eléctrico hasta que el electrodoméstico este conectado a tierra de manera permanente.
 - Desconecte el suministro eléctrico hacia la caja de empalmes antes de hacer la conexión eléctrica.
 - Este electrodoméstico debe ser conectado a un sistema de alambres permanentes, metálicos, conectados a tierra o una puesta a tierra debe ser conectada al terminal de tierra o un emplombado al electrodoméstico.
- El no seguir ninguna de estas instrucciones podría causar fuego, heridas personales o choques electricos.

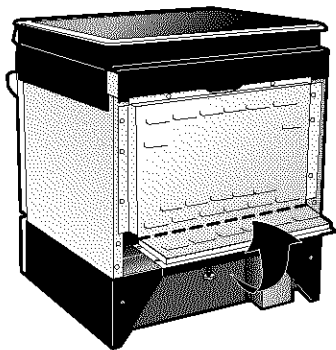
3. Conexión eléctrica a la cocina (Estados Unidos).

Este electrodoméstico está fabricado con el borne neutro conectado al armazón.

Conexión del cable a tres alambres la cocina.

(Un cordón flexible o cable de 3 conductores debe de ser reemplazado con un cordón flexible o cable de 4 conductores donde la conexión del conductor a tierra al neutro esta prohibida en las nuevas instalaciones, las casas sobre ruedas, los vehículos de recreación o otras áreas donde los códigos locales no permiten la conexión a tierra al neutro.) Si los códigos locales permiten la conexión del conductor a tierra del armazón al alambre neutro del cable de bronce del suministro eléctrico (vea figura 4).

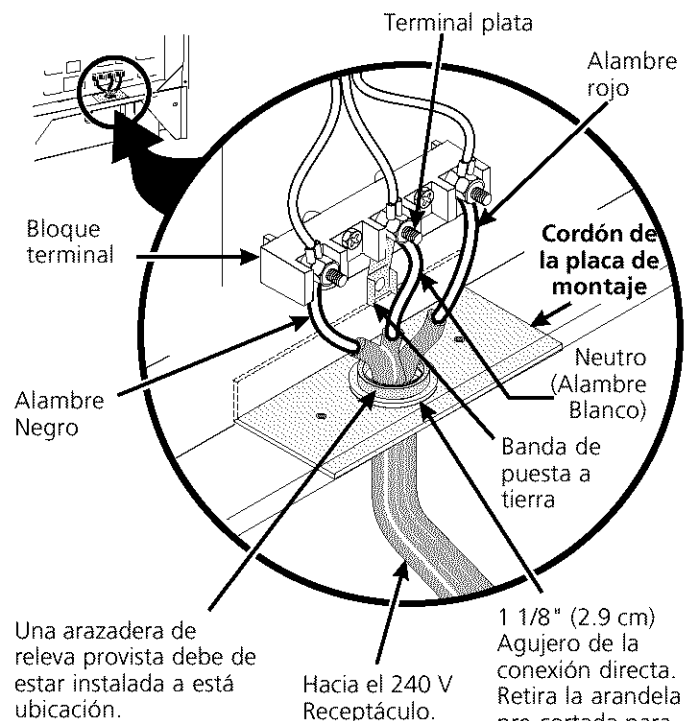
1. Retire los 3 tornillos de la parte baja de la cubierta del cable trasero (cubierta de acceso), luego levante la cubierta hacia arriba para tener acceso al bloque de conexión del borne terminal (vea figura 3).



INCLINE AQUÍ LA CUBIERTA DEL ALAMBRE TRASERO PARA TENER ACCEO AL ACOPLAMIENTO ELÉCTRICO

Figura 3

2. Retire las 3 tuercas desajustadas (luego de haber retirado la banda de caucho) en el bloque terminal con destornillador de tuercas o un casquillo adaptador de 3/8".
3. Conecte la parte neutral del cable de bronce de suministro eléctrico al terminal plateado que se encuentra al centro del bloque terminal y, conecte los otros alambres a los terminales externos. Aparee los alambres y los terminales según el color (alambres rojos conectados al terminal derecho, alambres negros conectados al terminal izquierdo).
4. Repone las 3 tuercas desajustadas en el bloque terminal (vea figura 4).
5. Baje la cubierta del terminal y vuelva al colocar los 3 tornillos.



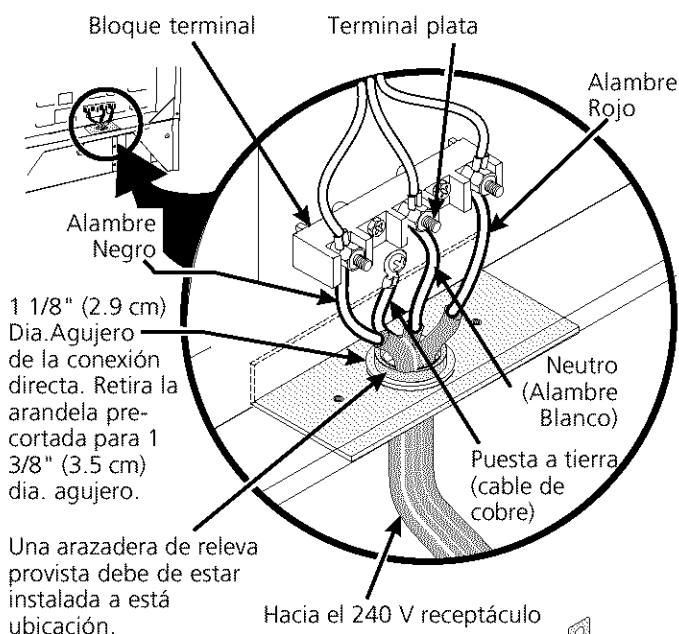
Una arandera de relevo provista debe de estar instalada a está ubicación.

Figura 4

1 1/8" (2.9 cm)
Agujero de la conexión directa. Retira la arandela pre-cortada para 1 3/8" (3.5 cm) Dia. agujero.

Conexión del cable de cuatro conductores a la cocina (casas móviles).

1. Retire los 3 tornillos de la parte baja de la cubierta del cable trasero, luego levante la cubierta hacia arriba para tener acceso (cubierta de acceso) al bloque de conexión del borne terminal (vea figura 3).
2. Retire las 3 tuercas desajustadas (luego de haber retirado la banda de caucho) en el bloque terminal con destornillador de tuercas o un casquillo adaptador de 3/8".
3. Retire la correa de la base del bloque terminal y del armazón del electrodoméstico. Retenga el tornillo de la base.
4. Conecte el alambre de tierra (verde) del cable de bronce del suministro eléctrico al armazón del electrodoméstico con el tornillo de la base, usando el hoyo del armazón por donde retiró la correa de la base (vea figura 5).
5. Conecte el alambre neutral (blanco) del cable de cobre del suministro eléctrico al terminal plateado del centro del bloque terminal y, conecte los otros alambres a los terminales externos.
6. Repone las 3 tuercas desajustadas en el bloque terminal (vea figura 5).
7. Baje la cubierta del terminal y vuelva al colocar los 3 tornillos.



NOTA: Asegurese de quitar la banda de puesta a tierra provista.

Figura 5

Conexión eléctrica directa al cortacircuito, a la caja de fusibles o la caja de empalmes

Si el aparato está conectado directamente al cortacircuito, a la caja de fusibles o a la caja de empalmes, use un cable blindado flexible o no metálico recubierto de cobre (con alambre a tierra). Provee una abrazadera releva de anclaje homólogo UL a cada extremidad del cable. A la extremidad del electrodoméstico, el cable pase a través del agujero de la conexión directa (ver figura 5) en el cordón de la placa de montaje. El tamaño de los alambres (**alambre de cobre solamente**) y las conexiones deben estar conforme al régimen del electrodoméstico.

Donde los códigos locales permitan conectar el conductor de puesta a tierra del electrodoméstico al neutral (blanco) (vea figura 6):

(Un cordón flexible o cable de 3 conductores debe de ser reemplazado con un cordón flexible o cable de 4 conductores donde la conexión del conductor a tierra al neutro esta prohibida en las nuevas instalaciones, las casas sobre ruedas, los vehículos de recreación o otras áreas donde los códigos locales no permiten la conexión a tierra al neutro.)

1. Desconecte el suministro eléctrico.
2. En el cortacircuito, la caja de fusibles o la caja de empalmes:
 - a) Conecte el alambre verde (o cobre desnudo), el alambre blanco del cable del electrodoméstico y el alambre neutral (blanco) juntos.
 - b) Conecte los dos alambres negros juntos.
 - c) Conecte los dos alambres rojos juntos.

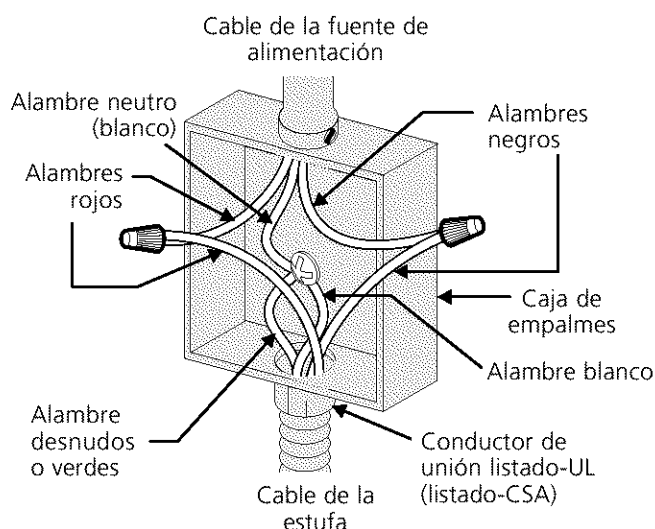


Figura 6

Sistema eléctrico (ejemplo: caja de empalmes) de 3 alambres (a tierra neutral)

Donde los códigos locales NO permitan conectar el conductor de puesta a tierra del electrodoméstico al neutral (blanco), o si está conectado con un sistema a 4 alambres (vea figura 7):

1. Desconecte el suministro eléctrico.
2. Separe el alambre verde (o cobre desnudo) y el alambre blanco del electrodoméstico.
3. En el cortacircuito, la caja de fusibles o la caja de empalmes:
 - a. Conecte el alambre blanco del cable del electrodoméstico al alambre neutral (blanco).
 - b. Conecte los 2 alambres negros juntos.
 - c. Conecte los 2 alambres rojos juntos.
 - d. Conecte el alambre verde (o de cobre desnudo) de la puesta a tierra del alambre al alambre de puesta a tierra del cortacircuito, de la caja de fusibles o de la caja de empalmes.

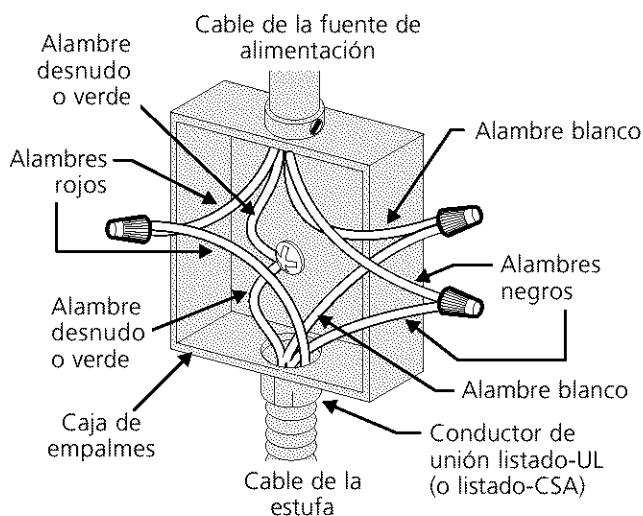


Figura 7 – Sistema eléctrico de 4 alambres (ejemplo caja de empalme)

4. Construcción de los Armarios

PRECAUCION Para eliminar el riesgo de quemaduras e incendios al tocar superficies sobre calentadas, se debe evitar colocar espacio para armarios de almacenamiento sobre las estufas con elementos al descubierto. Si se instalan armarios sobre la estufa, se pueden reducir tales riesgos instalando una campana purificadora que se proyecta horizontalmente un mínimo de 5" (12.7 cm) más afuera de la parte inferior de los armarios.

Preparación del Mostrador

Los lados de la superficie de la estufa se sobreponen a los bordes recortados del mostrador.

Si el mostrador es **cuadrado (plano)**, no requerí ninguna preparación.

Si usted tiene **un mostrador de frente formado (encorvado)**, hay que resurar cada esquina frontal hasta que esté plano hasta 1/4" (0.64 cm) de la abertura.

Los mostradores embalados pueden requerir un recorte de 1/4" (0.64 cm) desde cada esquina delantera y/o un aplanamiento de los bordes redondeados.

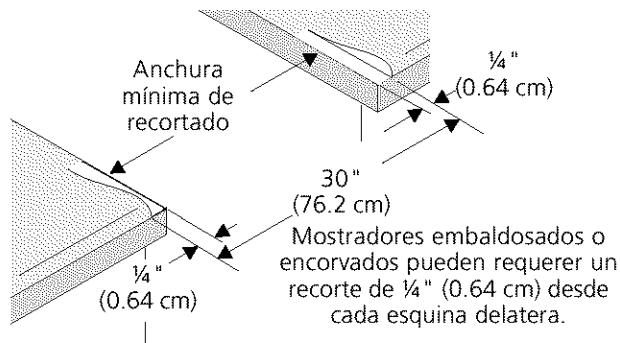


Figura 8

Si la anchura de la abertura de superficie del armario es mayor que la anchura mínima del recortado, ajuste la dimensión de 1/4" (0.64 cm).

El mostrador debe estar nivelado. Ponga un nivel sobre el mostrador, primero de un lado para otro y después de delante para atrás. Si el mostrador no está nivelado, la estufa tampoco lo estará. El horno debe estar nivelado para resultados satisfactorios de cocer. Los lados de la superficie de la estufa se encajan por encima de los bordes de la abertura del mostrador.

5. Instalación de la estufa

⚠ PRECAUCION Mientras se desembala la estufa, no deseche los cuatro (4) pernos de embalaje. Reemplácelos como patas niveladoras y para ajustar la altura de la unidad.

1. Instalación sin los paneles laterales

- La superficie de la estufa se sobrepone al mostrador por los lados y la estufa descansa sobre el piso. La estufa es de 30" (76.2 cm) de anchura.
- Instale los gabinetes de base con una separación de 29" (73.7 cm). Asegúrese de que se aplomar y sean nivelados antes de juntar la estufa. Acepille la parte levantada del borde del mostrador dejando espacio para la superficie de la estufa de 30" (76.2 cm).
- Instale las puertas de los gabinetes con una separación mínima de 31" (78.7 cm) para que no obstruyan con la puerta de la estufa al abrirse.
- Recorte el mostrador exactamente según el dibujo en la página 1.
- Un protector trasero puede pedirse mediante su negociante.
- Ajuste a las piernas de nivelación de manera que la parte de abajo de la plancha de cocinar está apoyada contra el mostrador.
- Nivele la estufa. El piso donde la estufa se va a instalar tiene que estar nivelado** (Figura 9).

2. Instalación con los paneles laterales

- Instale los gabinetes de base con una separación mínima de 30 1/8" (76.5 cm). Asegúrese de que se aplomar y sean nivelados.
- Instale las puertas de los gabinetes con una separación mínima de 31" (78.7 cm) para que no obstruyan con la puerta de la estufa al abrirse.
- Un protector trasero puede pedirse mediante su negociante.
- Un conjunto de paneles laterales puede pedirse mediante su negociante.
- Nivele la estufa y ajuste la altura de la estufa.

3. Instalación con un protector trasero

La profundidad del recortado de 21 5/8" (55 cm) necesita aumentarse a 24" (61 cm) al instalar un protector trasero.

6. Nivelación de la estufa

Nivele la estufa y ajuste la altura de la estufa antes de instalarla en la abertura.

- Coloque una parrilla del horno en el centro del horno.
- Ponga un nivel sobre la parrilla. Tome dos lecturas con el nivel puesto diagonalmente en una dirección y después en la otra. Nivele la estufa, si es necesario, ajustando las 4 patas niveladoras con una llave de tuercas (Figura 12).
- Asegúrese de no dañar al mostrador, deslice la estufa dentro de la abertura del hueco y vuelva a verificar a la nivelación. Si la estufa no está nivelada, arranque el electrodoméstico y vuelva a ajustar a las piernas o asegúrese que el suelo está nivelado.

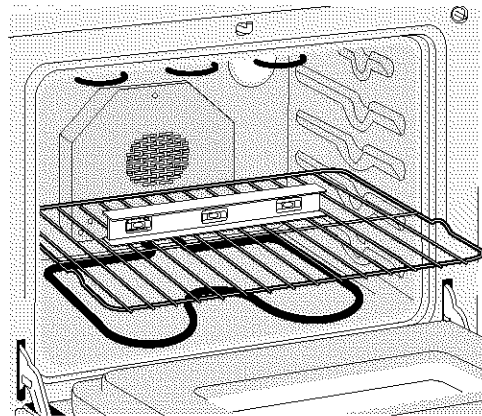


Figura 9

7. Comprobación del Funcionamiento

Consulte el [Manual del Usuario](#) incluido con la estufa para instrucciones de operación y instrucciones para el cuidado y limpieza de su estufa.

⚠️ PRECAUCION No toque los elementos. Pueden estar bastante calientes para causar quemaduras.

Quite todo el embalaje de la unidad antes de comprobarla.

1. Operación de los elementos de superficie

Encienda cada uno de los cuatro elementos de superficie y controle que se calienten. Verifique el funcionamiento de las luces indicadoras de los elementos de superficie, si equipadas.

2. Funcionamiento de los Elementos del Horno

El horno está equipado con un control electrónico. Cada función ha sido probada en la fábrica antes del transporte. Sin embargo, sugerimos que Ud. verifique el funcionamiento de los controles del horno una vez más. Véase el [Manual del Usuario](#) para la operación. Siga las instrucciones para el Reloj Minutero, Cocer, Asar, Convección (algunos modelos) y las funciones de limpieza.

Cocer/Bake—Después de poner el horno a 350°F (177°C) para cocer, el elemento inferior debe ponerse rojo.

Asar/Broil—Cuando está puesto para BROIL, el elemento superior se debe poner rojo.

Limpieza/Clean—Cuando el horno está puesto para un ciclo de auto-limpieza, el elemento superior se pondrá rojo durante el período de precalentamiento del ciclo. Después de alcanzar la temperatura de auto-limpieza, el elemento inferior se pondrá rojo.

Convección/Convection (algunos modelos)—Cuando el horno se pone a CONV. BAKE/ROAST a 350°F (177°C), los dos elementos se enciendan y se apagan alternando en un ciclo y el ventilador se pone en marcha. El ventilador de convección se parará cuando se abre la puerta del horno durante el cocido o el asado por convección.

Cajón calentador (algunos modelos)—Ponga la perilla de control a HI y verifique que se está calentando el cajón.

Después de Terminar la Instalación

Asegúrese de que todos los controles estén en la posición OFF (apagada).

Ubicación del Número de Modelo y de Serie

La placa con el número de serie está ubicada en el marco delantero del horno detrás de la puerta del horno (algunos modelos) o detrás del cajón (algunos modelos). Cuando haga pedidos de repuestos o solicite información con respecto a su estufa, esté siempre seguro de incluir el número de modelo y de serie y el número o letra del lote de la placa de serie de su estufa.

Antes de Llamar al Servicio

Lea la sección Evite Llamadas de Servicio en su [Manual del Usuario](#). Esto le podrá ahorrar tiempo y gasto. Esta lista incluye ocurrencias comunes que no son el resultado de defectos de materiales o fabricación de este artefacto.

Lea la garantía y la información sobre el servicio en su [Manual del Usuario](#) para obtener el número de teléfono gratuito y la dirección del servicio. Por favor llame o escriba si tiene preguntas acerca de su estufa o necesita repuestos.

8. Tornillo antivuelco opcional

(Modelos con cubierta levantable)

Levantar la cubierta levantadiza y sostenerla con una varilla de apoyo. Perforar orificios auxiliares de 1/8" (0.3 cm) de diámetro en la parte superior del armario, usando de los paneles laterales. Fijar los paneles laterales superiores a la parte superior del armario con los tornillos incluidos con en el catálogo.

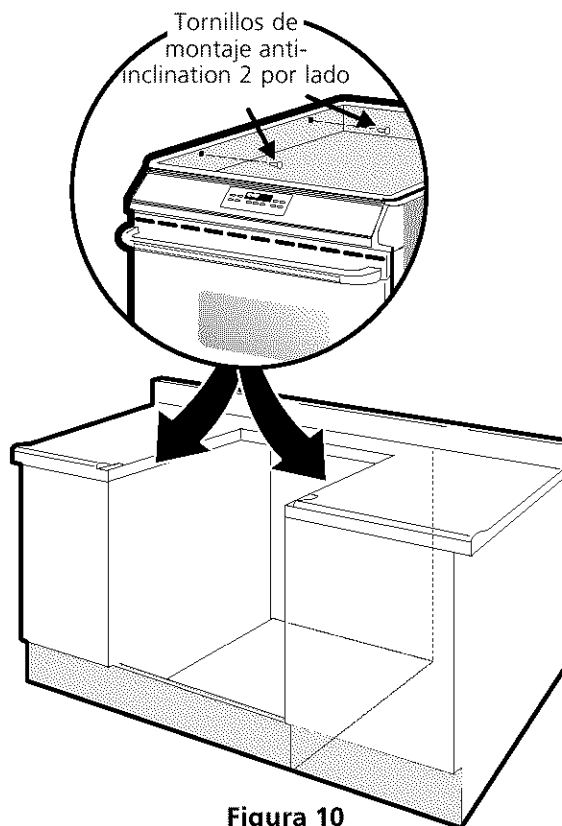


Figura 10

9. Importante Advertencia de Seguridad

Para reducir el riesgo de que la estufa se vuelque, es necesario asegurarla al piso instalando los soportes antivuelco y los tornillos suministrados con la estufa. Las piezas se encuentran en un saco de plástico en el horno. Si no se instalan los soportes antivuelco, la estufa se puede volcar si se coloca exceso de peso en una puerta abierta o si un niño se sube a ella. Se pueden ocasionar lesiones graves causadas por los líquidos calientes derramados o por la estufa misma.

Siga las instrucciones que más abajo se indican para instalar los soportes antivuelco.

Si la estufa es movida a otro lugar, los soportes antivuelco deben también ser movidos e instalados en la estufa. Para controlar la instalación apropiada, vea el paso número 5.

Herramientas Necesarias:

- Llave de tuerca de 5/16" o destornillador para tornillos de cabeza plana
- Llave inglesa
- Taladro eléctrico
- Broca de 3/16" de diámetro
- Broca para taladro de mampostería de 3/16" de día. (si se está instalando en concreto)

Instrucciones de Instalación del Soporte Antivuelco

Los soportes se fijan al suelo en la parte trasera de la estufa para sujetar ambos niveladores de las patas traseras. Cuando los esté instalando al piso, asegúrese de

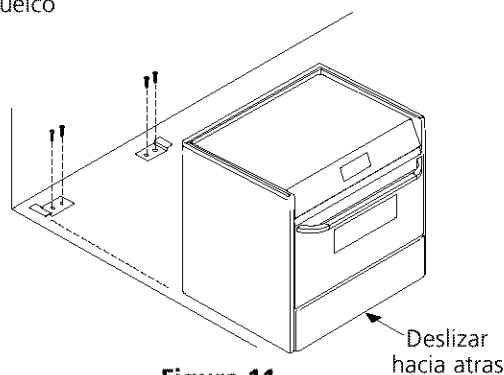
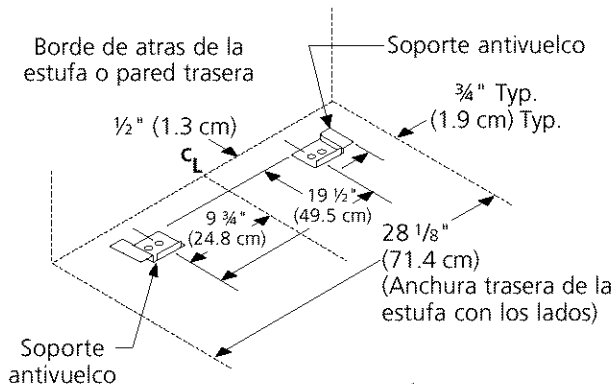


Figura 11

que los tornillos no penetren el alambrado eléctrico o plomería. Los tornillos provistos pueden utilizarse en madera o concreto.

1. Desdoble la plantilla de papel y colóquela plana en el piso con los bordes laterales y el trasero colocados exactamente donde la parte trasera y los lados de la estufa serán colocados cuando sea instalada. (Use el diagrama siguiente para ubicar los soportes si no se dispone de la plantilla).
2. Marque en el piso la ubicación de los 4 agujeros de montaje como se muestra en la plantilla. Para facilitar la instalación, se pueden taladrar agujeros piloto de 3/16" (0.5 cm) de día. y 1/2" (1.3 cm) de profundidad en el piso.
3. Saque la plantilla y coloque los soportes en el piso con la brida hacia arriba dirigida hacia el frente. Alinee los agujeros en los soportes con las marcas en el piso y sujete con los 4 tornillos provistos. Los soportes deben estar asegurados al piso firme. Si se va a instalar en piso de concreto, primero debe taladrar agujeros guía de 3/16" (0.5 cm) de diámetro usando una broca para taladro de mampostería.
4. Nivele la estufa si es necesario ajustando las cuatro patas niveladoras con una llave (Ver la Figura 12 abajo). Se requiere un espacio libre mínimo de 1/8" (0.8 cm) entre la parte inferior de la estufa y los niveladores de las patas traseras para dejar espacio para los soportes antivuelco.
5. Deslice la estufa a su lugar asegurándose de que las patas traseras estén sujetas por los extremos de los soportes. La estufa puede necesitar ser movida ligeramente a un lado cuando está siendo empujada hacia atrás para permitir que las patas se alineen con los soportes. Usted también puede asir el borde trasero de la cima de la estufa y cuidadosamente intentar voltearla para asegurarse de que la estufa sea adecuadamente anclada.

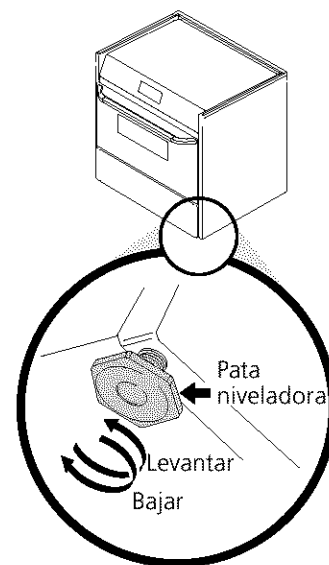


Figura 12

INSTRUCTIONS D'INSTALLATION POUR LA CUISINIÈRE 30" ENCASTRABLE

UN INSTALLATEUR QUALIFIÉ DOIT EFFECTUER L'INSTALLATION ET LE SERVICE

IMPORTANT: CONSERVEZ CES INSTRUCTIONS POUR LES INSPECTEURS LOCAUX. LISEZ CES INSTRUCTIONS ET CONSERVEZ-LES POUR RÉFÉRENCES ULTÉRIEURES.

Ne coinciez pas le cordon d'alimentation flexible entre le mur et l'appareil.

Ne scellez pas l'appareil aux armoires latérales.

**** NOTE:** dégagement minimum de 24" (61 cm) entre la plaque de cuisson et le bas de l'armoire du haut lorsque le dessous de l'armoire en bois ou en métal est protégé par un celloderme retardateur de flammes d'un minimum de ¼" (0.64 cm) recouvert d'une feuille de métal MSG No. 28, d'acier inoxydable d'un minimum de 0.015" (0.4 mm), d'aluminium de 0.024" (0.6 mm), ou de cuivre de 0.020" (0.5 mm).

Dégagement minimum de 30" (76.2 cm) lorsque l'armoire n'est pas protégée.

• **Note:** Allouez au moins 19 ¼" (48.9 cm) d'espace pour permettre l'ouverture de la porte du four.

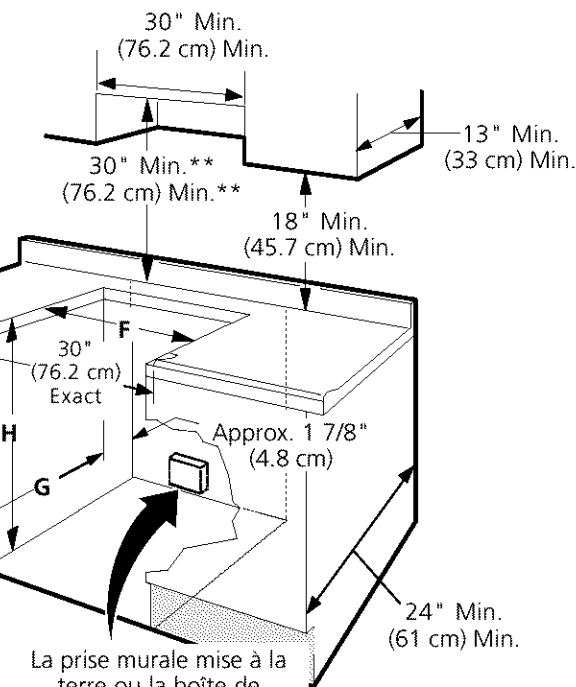
Arasez le dessus du comptoir à au moins 30" (76.2 cm) de largeur pour la cuisinière.

1 ½" Max. (3.8 cm Max.)

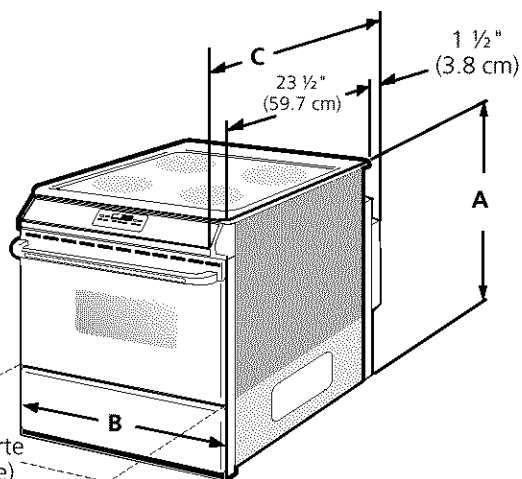
Installez les portes d'armoire à au moins 1" (2.5 cm) de l'ouverture.

*** Note:** Une ouverture de 29" (73.7 cm) de largeur permet à la plaque de cuisson de surplomber le comptoir et de créer une impression de cuisinière encastrée.

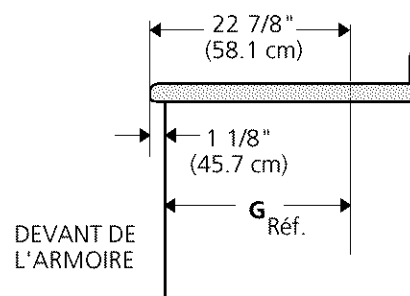
Si vous installez un modèle muni de panneaux latéraux optionnels, l'aire de découpage, incluant le dessus de comptoir doit mesurer au moins 30" (76.2 cm) de largeur.



La prise murale mise à la terre ou la boîte de jonction doit se situer entre 8" à 17" (20.3 - 43.2 cm) de l'armoire de droite et 2" à 4" (5.1-10.2 cm) du plancher.



• Porte ouverte (voir la note)



DEVANT DE L'ARMOIRE

A. HAUTEUR	B. LARGEUR	C. PROFONDEUR À L'AVANT DE LA CUISINIÈRE	F. LARGEUR DE DÉCOUPAGE MINIMUM	G. PROFONDEUR DE DÉCOUPAGE MINIMUM	H. HAUTEUR DU DESSUS DE COMPTOIR
35 3/8" (90 cm) - 36 3/8" (92 cm)	30" (76.2 cm)	26 1/4" (66.7 cm)	29" (73.7 cm)	21 3/4" (55.2 cm)	36" (91.4 cm) standard 35 3/8" (90 cm) min.

G. Profondeur de découpage minimum augmentée à 24" (61 cm) si l'on installe un dossier.

INSTRUCTIONS D'INSTALLATION POUR LA CUISINIÈRE 30" ENCASTRABLE

Notes importantes à l'Installateur

1. Lisez toutes les instructions contenues dans les Instructions d'installation avant d'installer la cuisinière.
2. Enlevez tout le matériel d'emballage des compartiments du four avant de connecter l'alimentation électrique à la cuisinière.
3. Respectez tous les codes et règlements applicables.
4. N'oubliez pas de laisser ces instructions au consommateur.

Note importante au consommateur

Conservez ces instructions avec le guide de l'utilisateur pour référence ultérieure.

INSTRUCTIONS DE SÉCURITÉ IMPORTANTES

⚠ MISE EN GARDE Des températures trop basses peuvent endommager le contrôleur électronique de l'appareil. Au cours de la première utilisation ou lorsque l'appareil n'a pas été utilisé pendant un certain temps et avant de le mettre en marche, assurez-vous qu'il a été exposé à des températures au dessus de 32°F (0°C) pendant une durée supérieure à 3 heures.

- **Assurez-vous que votre cuisinière est correctement installée et mise à la terre par un installateur ou un technicien d'entretien qualifié.**
- **Le circuit électrique de cette cuisinière doit être mis à la terre conformément** aux règlements locaux, ou en leur absence, au code national de l'électricité ANSI/NFPA no. 70- dernière édition aux États-Unis ou à la norme canadienne d'électricité, ACNOR C22.1, partie 1, au Canada.
- L'installation d'appareils conçus pour les maisons (mobiles) doit se conformer aux normes de la Manufactured Home Construction and Safety Standard, titre 24CFR, partie 3280 (antérieurement Federal Standard for Mobile Home Construction and Safety, titre 24, HUD (partie 280)) ou en leur absence, aux

normes de la Manufactured Home Installation 1982 (Manufactured Home Sites, Communities and Setups), ANSI Z225.1/NFPA 501A-dernière édition, ou aux codes locaux. Lorsque l'installation se fait au Canada, elle doit se conformer à la norme CAN/CSA-Z240 MH.

- **Assurez-vous que la tapisserie à proximité du four peut résister à la chaleur générée par la cuisinière.**
- **Avant d'installer la cuisinière à un endroit recouvert de linoléum ou de tout autre couvre-plancher synthétique, assurez-vous que celui-ci peut résister à un minimum de 90°F (32.2°C) de chaleur au-dessus de la température de la pièce sans se rapetisser, se déformer ou se décolorer.** N'installez pas la cuisinière sur un tapis, à moins de placer un tampon isolant ou une feuille de contreplaqué d'une épaisseur de 1/4" (0.64 cm) entre la cuisinière et le tapis.

⚠ AVERTISSEMENT Ne laissez jamais les enfants seuls ou sans surveillance près d'un appareil en fonctionnement. Au fur et à mesure qu'ils grandissent, apprenez-leur à utiliser les appareils électroménagers de façon sécuritaire et appropriée. Ne laissez jamais la porte du four ouverte lorsque la cuisinière est sans surveillance.

⚠ AVERTISSEMENT Le fait de monter sur les portes ou les tiroirs de cette cuisinière, de s'y appuyer ou de s'y asseoir peut occasionner des blessures graves, tout en endommageant l'appareil.

- **N'entrez pas d'objets susceptibles d'intéresser les enfants dans les armoires situées au-dessus de la cuisinière.** Ces derniers risquent de se brûler sérieusement s'ils essayent de grimper sur l'appareil pour atteindre les objets.
- **Évitez de placer des armoires de rangement au-dessus des éléments de surface afin d'éliminer les gestes inutiles au-dessus de ceux-ci.**
- **N'utilisez pas le four à des fins de rangement.** Ceci génère une situation éventuellement dangereuse.
- **N'utilisez jamais votre cuisinière pour réchauffer ou chauffer la pièce.** L'utilisation prolongée de la cuisinière sans une ventilation adéquate peut s'avérer dangereuse.
- **Ne gardez pas de produits combustibles, d'essence et d'autres produits inflammables à proximité de cet appareil ou de tout autre appareil.** Il pourrait en résulter des explosions ou un incendie.
- **Remplacez toutes les commandes à la position arrêt «off»** après l'utilisation d'une fonction programmable chronométrée.

POUR LES MODÈLES MUNIS DE L'AUTONETTOYAGE:

- **Enlevez la lèchefrite, les aliments et les autres ustensiles avant l'autonettoyage du four.** Essayez tous les renversements excessifs. Suivez les instructions pour le prénettoyage dans le Guide de l'utilisateur.

	⚠ AVERTISSEMENT	⚠ AVERTISSEMENT POUR
	<ul style="list-style-type: none">• TOUTES LES CUISINIÈRES PEUVENT BASCULER.• DES BLESSURES POURRAIENT SURVENIR.• INSTALLEZ LES PLAQUES ANTI-BASCULES QUI ACCOMPAGNENT LA CUISINIÈRE.	<ul style="list-style-type: none">• PRÉVENIR TOUT RISQUE DE BASCULEMENT DE LA CUISINIÈRE, CET APPAREIL DOIT ÊTRE FIXÉ CORRECTEMENT AU PLANCHER À L'AIDE DES PLAQUES ANTI-BASCULES QUI L'ACCOMPAGNENT.• POUR VÉRIFIER SI LES PLAQUES ANTI-BASCULES SONT POSÉES CORRECTEMENT, RETIREZ LE TIROIR DE RANGEMENT ET ASSUREZ-VOUS QUE LES PLAQUES ANTI-BASCULES SONT ENCLENCHÉES.

1. Ensemble de cordon d'alimentation (États-Unis)

Il incombe à l'utilisateur de faire raccorder le cordon d'alimentation au bloc de connexion situé derrière le couvercle du panneau arrière.

Il est possible de connecter l'appareil soit au moyen d'un câblage "permanent dur" (câble flexible en cuivre blindé ou muni d'une gaine protectrice non métallique) soit au moyen d'un ensemble de cordon d'alimentation. Seul un ensemble de cordon d'alimentation d'un minimum de 125/250 volts, 40 ampères et certifié pour utilisation avec cuisinière doit être utilisé. Le cordon doit être muni de 3 ou 4 conducteurs (États-Unis seulement).

Dans les maisons mobiles (États-Unis), les nouvelles installations, les véhicules récréatifs ou tout autre endroit où les codes locaux interdisent la mise à la terre au moyen du conducteur neutre, un cordon d'alimentation de 4 conducteurs d'un minimum de 125/250 volts, 40 ampères et certifié pour l'utilisation avec cuisinière doit être utilisée (voir Figure 5).

Les bornes aux extrémités des câbles doivent comporter soit une boucle fermée, soit des cosses à fourche ouvertes et aux extrémités renversées. Le cordon doit être muni d'un réducteur de tension.

Voir le tableau ci-dessous pour le raccordement avec un cordon d'alimentation muni de 3 ou 4 conducteurs.

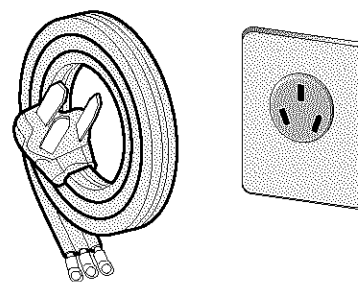
Tableau des dimensions des ouvertures pour le raccordement électrique des cuisinières

Consultez le tableau ci-dessous pour les dimensions des ouvertures pour le raccordement électrique des cuisinières et pour l'information concernant l'ampérage requis de l'ensemble de cordon d'alimentation. Consultez la plaque signalétique sur l'appareil pour la consommation énergétique.

Consultez la plaque signalétique sur l'appareil pour la consommation énergétique		Ampérage de l'ensemble de cordon d'alimentation	Diamètre (pouces (cm)) de l'ouverture pour le raccordement électrique.	
120/240 Volts	120/208 Volts		Ensemble de cordon d'alimentation	Raccordement direct
0 - 8.7 kw	0 - 7.8 kw	30 Amp	1 1/8 (2.9)	7/8 (2.2)
8.8 - 16.5 kw	7.9 - 12.5 kw	40 Amp	1 3/8 (3.5)	1 1/8 (2.9)
16.6 - 22.5 kw	12.6 - 18.5 kw	50 Amp	1 3/8 (3.5)	1 3/8 (3.5)

NOTE: L'appareil sort de l'usine avec un trou de 1 1/8" (2.9 cm) dia. tel que montré à la figure 4. Si un trou plus grand est requis, repoussez la pastille.

⚠ AVERTISSEMENT Il existe des risques d'incendie ou de choc électrique, si la capacité du cordon utilisé est inadéquate, si les instructions d'installation ne sont pas suivies ou si le réducteur de tension n'est pas utilisé.



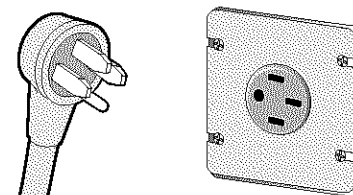
Modèles américains

Figure 1

⚠ MISE EN GARDE Ne desserez pas les écrous des fils installés en usine. Une panne, un bris ou des conditions dangereuses pourraient s'en suivre.

2. Modèles avec cordon d'alimentation branché en usine (Canada seulement)

Les cuisinières canadiennes sont munies d'un cordon d'alimentation branché en usine (voir Figure 2). Il doit être connecté à une prise d'alimentation de 120/240 volt, mise à la terre, ou à une prise de courant pour cuisinières de 120/208 volt. Si aucune prise d'alimentation n'est disponible, demandez à un électricien compétent d'en installer une.



Modèles canadiens

Figure 2

⚠ AVERTISSEMENT

Risque de choc électrique

- La mise à la terre de cet appareil est obligatoire.
- Ne branchez pas l'appareil au circuit électrique avant qu'il soit mis à la terre correctement, en permanence.
- Interrompez le courant dans la boîte de jonction avant d'effectuer la connexion électrique.
- Cet appareil doit être branché à un système de câblage métallique, mis à la terre en permanence, ou un connecteur mis à la terre doit être branché à la borne de mise à la terre ou directement sur l'appareil.

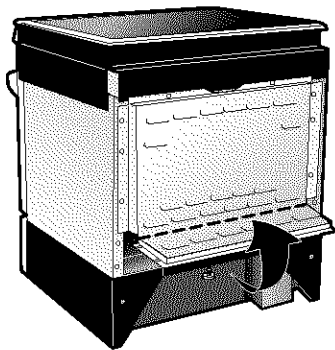
Si vous ne suivez pas les instructions précitées à la lettre, il peut en résulter un incendie, des blessures ou un choc électrique.

3. Connexions électriques à la cuisinière (U.S.A.)

Cet appareil est muni d'une borne neutre branchée au châssis.

Pour une connexion à un câble d'alimentation à trois conducteurs (Etats-Unis seulement). (Le cordon ou câble d'alimentation à 3-conducteurs doit être remplacé par un cordon ou un câble à 4-conducteurs où la mise à la terre du châssis au fil blanc est interdit, soit dans les nouvelles installations, les maisons mobiles, les véhicules récréatifs ou à d'autres endroits où les codes locaux interdisent la mise à la terre au moyen d'un conducteur neutre.) Si les codes locaux permettent le connexion du conducteur mis à la terre du châssis au fil neutre du cordon d'alimentation en cuivre (voir figure 3).

1. Enlevez les 3 vis situées à l'extrémité inférieure du couvercle arrière de fils, puis redressez l'extrémité inférieure du couvercle (couvercle d'accès) pour atteindre les bornes du bloc de connexion de la cuisinière (voir figure 3).



RECOURBEZ ICI LE COUVERCLE ARRIÈRE POUR ACCÉDER AU RACCORDEMENT ÉLECTRIQUE
Figure 3

2. Enlevez (après avoir retiré la bande élastique), à l'aide d'un tourne-écrou 3/8", les 3 écrous des bornes du bloc de connexion.
3. Raccordez le neutre du cordon d'alimentation cuivré à la borne argentée située au centre du bloc de connexion, et raccordez les autres fils aux bornes extérieures. Assortissez les fils et les bornes conformément aux couleurs (branchez le fil rouge à la borne droite, et le fil noir à la borne gauche).
4. Remplacez les 3 écrous sur les bornes du bloc de connexion (voir figure 4).
5. Abaissez le couvercle des bornes du bloc de connexion et remplacez les 3 vis.

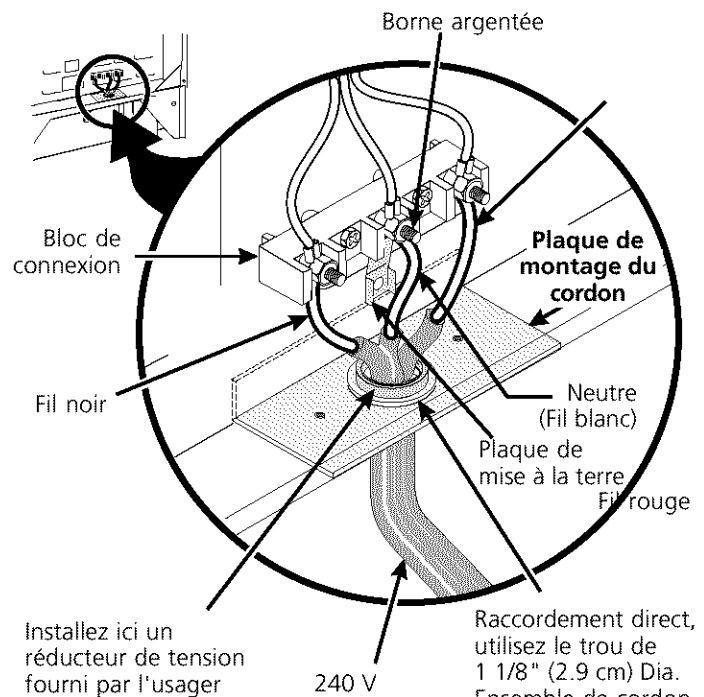


Figure 4

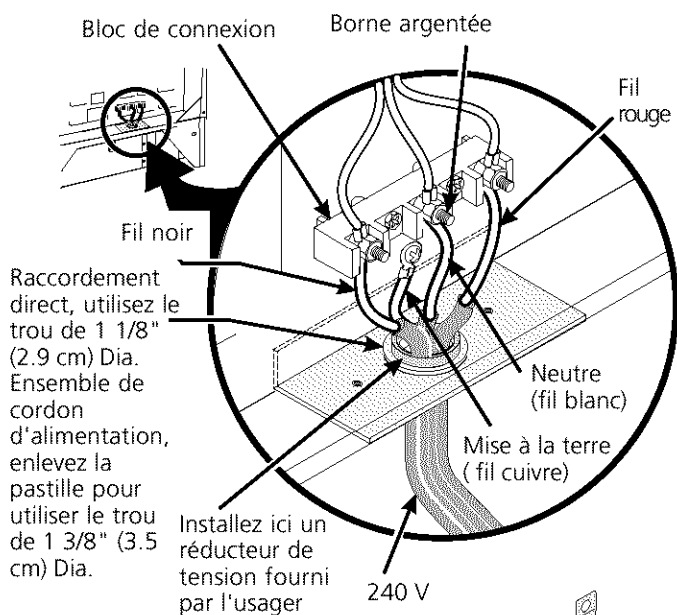
Raccordement direct, utilisez le trou de 1 1/8" (2.9 cm) Dia. Ensemble de cordon d'alimentation, enlevez la pastille pour utiliser le trou de 1 3/8" (3.5 cm) Dia.

Pour une connexion à un câble d'alimentation à quatre conducteurs (maisons mobiles) (États-Unis)

1. Enlevez les 3 vis situées à l'extrémité inférieure du couvercle arrière du filage, puis redressez l'extrémité inférieure du couvercle (couvercle d'accès) pour atteindre les bornes du bloc de connexion de la cuisinière (voir figure 3).
2. Enlevez (après avoir retiré la bande élastique), à l'aide d'un tourne-écrou 3/8", les 3 écrous des bornes du bloc de connexion.
3. Enlevez la plaque de mise à la terre de la borne centrale du bloc de connexion et du châssis de l'appareil. Conservez la vis de mise à la terre.
4. Branchez le fil de mise à la terre (vert) du cordon d'alimentation cuivré, au châssis de l'appareil avec la vis de mise à la terre, à l'endroit où la bande de mise à la terre a été enlevée (voir Figure 5).

INSTRUCTIONS D'INSTALLATION POUR LA CUISINIÈRE 30" ENCASTRABLE

5. Raccordez le neutre (blanc) du cordon d'alimentation cuivré, à la borne argentée située au centre du bloc de connexion, et raccordez les autres fils aux bornes extérieures. Assortissez les fils et les bornes conformément aux couleurs (branchez le fil rouge à la borne droite, et le fil noir à la borne gauche).
6. Remplacez les 3 écrous sur les bornes du bloc de connexion (voir figure 4).
7. Abaissez le couvercle des borne du bloc de connexion et remplacez les 3 vis.



NOTE: Assurez-vous d'enlever la plaque de mise à la terre fournie avec l'appareil.

Figure 5

Connexions électriques au système électrique de la résidence

L'appareil doit être raccordé directement au disjoncteur ou au compartiment de fusibles au moyen d'un câble flexible en cuivre, blindé ou muni d'une gaine protectrice non métallique (avec fil de mise à la terre). Placez la boîte de jonction de manière à avoir 2 à 3 pieds de lâche dans la ligne pour déplacer la cuisinière si l'entretien s'avère nécessaire.

Un des connecteurs homologués UL doit être fixé à chaque extrémité du câble d'alimentation (à l'appareil et à la boîte de jonction). Les grosseurs des fils (**fil en cuivre seulement**) et des raccords doivent se conformer à la capacité de l'appareil.

Instructions de mise à la terre

Cet appareil est fabriqué avec un fil d'alimentation neutre (blanc) et un fil de mise à la terre vert ou dénudé relié au châssis.

Raccordez le câble de l'appareil à la boîte de jonction à l'aide d'un connecteur homologué UL. Complétez les raccordements électriques conformément aux codes et ordonnances locaux.

Si les codes locaux permettent le raccordement du conducteur de mise à la terre du châssis au fil neutre (blanc) de la boîte de jonction (voir figure 6):

(Le cordon ou câble d'alimentation à 3-conducteurs doit être remplacé par un cordon ou un câble à 4-conducteurs où la mise à la terre du châssis au fil blanc est interdit, soit dans les nouvelles installations, les maisons mobiles, les véhicules récréatifs ou à d'autres endroits où les codes locaux interdisent la mise à la terre au moyen d'un conducteur neutre.)

1. Débranchez l'alimentation.
2. Dans la boîte de jonction:
 - a) Reliez ensemble, le fil blanc, le fil vert (dénudé) de l'appareil et le fil neutre (blanc) du câble d'alimentation.
 - b) Reliez ensemble les deux fils noirs.
 - c) Reliez ensemble les deux fils rouges.

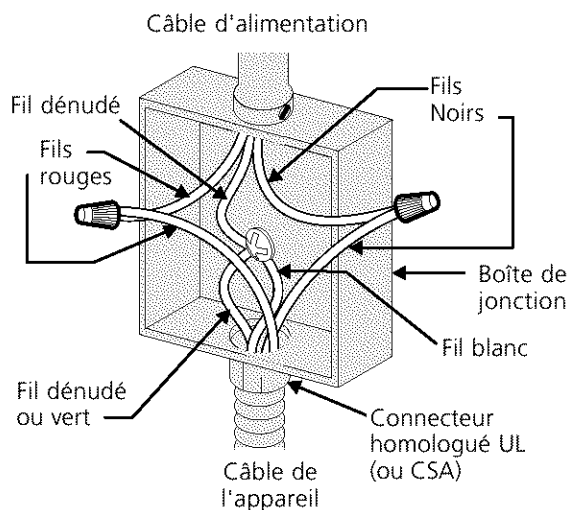


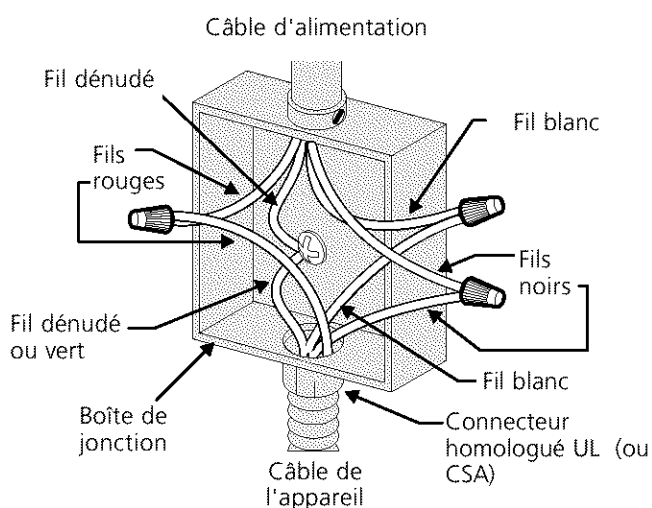
Figure 6

BOÎTE DE JONCTION À 3 FILS - MISE À LA TERRE

INSTRUCTIONS D'INSTALLATION POUR LA CUISINIÈRE 30" ENCASTRABLE

Aux endroits où les codes locaux l'interdisent, ou si vous raccordez à un système électrique à quatre conducteurs, ne raccordez pas le conducteur de mise à la terre du châssis au fil neutre (blanc) de la boîte de jonction (voir figure 7):

1. Débranchez l'alimentation électrique.
2. Séparez les fils de cuivre dénudé et blanc de l'appareil.
3. Dans la boîte de jonction:
 - a) Reliez le fil blanc du câble de l'appareil au fil neutre (blanc) du câble d'alimentation.
 - b) Reliez les deux fils noirs ensemble.
 - c) Reliez les deux fils rouges ensemble.
 - d) Reliez le fil cuivre ou dénudé du câble de l'appareil au fil cuivre ou dénudé du câble d'alimentation.



**Figure 7 – BOÎTE DE JONCTION À 4 FILS
MISE À LA TERRE**

4. Construction de l'armoire

⚠ MISE EN GARDE Pour éliminer les risques de brûlures ou de feu, en étendant le bras au-dessus des surfaces de cuisson chaudes, évitez d'installer des armoires au-dessus de ces dernières. Si vous devez en installer, il est possible de réduire le risque en plaçant une hotte pour cuisinière qui excède horizontalement d'un minimum de 5" (12.7 cm) la base de l'armoire.

Préparation du dessus de comptoir

Les côtés de la table de cuisson de la cuisinière s'ajustent au-dessus du rebord du découpage du dessus de comptoir.

Si vous avez un dessus de comptoir au **fini carré (plat)**, il n'est pas nécessaire de préparer le dessus du comptoir.

Les dessus de comptoir au **rebord avant moulé** doivent être aplanis de 1/4" (0.64 cm) à chaque coin avant de l'ouverture.

Il est possible qu'il soit nécessaire d'araser de 1/4" (0.64 cm) les dessus de **comptoir en mosaïque** à chaque coin avant et/ou d'aplanir le rebord arrondi.

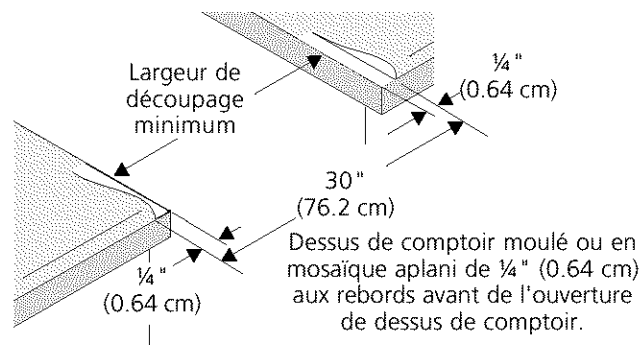


Figure 8

Si la largeur de l'ouverture du dessus de comptoir est supérieure à la largeur minimum requise, ajustez en conséquence la dimension 1/4" (0.64 cm).

Le dessus de comptoir doit être à niveau. Placez un niveau sur le dessus de comptoir, d'abord de chaque côté, et ensuite du devant à l'arrière. Si le dessus de comptoir n'est pas horizontal, la cuisinière ne le sera pas non plus. Le four doit être à l'horizontal pour obtenir des résultats de cuisson satisfaisants. Les côtés de la table de cuisson de la cuisinière s'ajustent au-dessus de l'angle du découpage du dessus de comptoir sans le toucher.

5. Installation de la cuisinière

⚠ MISE EN GARDE Ne rebutez pas les 4 vis de nivellement lorsque vous déballerez la cuisinière. Révissez-les aux 4 coins inférieurs de l'appareil, car elles servent de pieds pour niveler l'appareil et pour en régler la hauteur.

1. Installation sans panneau(x) latéral(aux)

- La table de cuisson chevauche de chaque côté du dessus du comptoir et la cuisinière est assise sur le plancher. La largeur de la table de cuisson est de 30" (76.2 cm).
- Les armoires sous le comptoir doivent être distantes de 29" (73.7 cm). Assurez-vous qu'elles sont d'aplomb et de niveau avant d'y installer la cuisinière. Araser le rebord bombé à l'extrémité avant du comptoir pour obtenir un ajustement serré entre les bords extérieurs de la table de cuisson de 30" (76.2 cm) et le comptoir.
- Distancez les portes des armoires de 31" (78.7 cm) minimum afin qu'elles n'interfèrent pas avec l'ouverture de la porte du four.
- Découpez le comptoir tel que montré à la page 1.
- Si un dossier doit être installé, un nécessaire de service (kit) peut être commandé par l'intermédiaire de votre marchand.
- Ajustez les vis de nivellement pour que le dessous de la table de cuisson repose au dessus du comptoir.
- Nivelez la cuisinière. Le plancher qui supporte la cuisinière doit être de niveau** (reportez-vous à la figure 3).

2. Installation avec panneau(x) latéral(aux)

- Distancez les armoires du bas de 30" (76.5 cm) minimum. Assurez-vous qu'elles sont d'aplomb et de niveau.
- Distancez les portes des armoires de 31" (78.7 cm) minimum afin qu'elles n'interfèrent pas avec l'ouverture de la porte du four.
- Si un dossier doit être installé, un nécessaire de service (kit) peut être commandé par l'intermédiaire de votre marchand.
- Si vous remplacez ou installez les panneaux latéraux, un nécessaire de service (kit) dossier peut être commandé par l'intermédiaire de votre marchand.
- Nivelez la cuisinière et ajustez-en la hauteur.

3. Installation avec un dossier

La profondeur du découpage de 21 5/8" (55 cm) doit être augmentée à 24" (61 cm) lorsqu'un dossier est installé sur l'appareil.

6. Mise à niveau de la cuisinière

Mettez la cuisinière de niveau et ajustez la hauteur de la table de cuisson avant de l'installer dans le découpage du comptoir.

- Installez une grille au centre du four.
- Déposez un niveau à bulle sur la grille. Prenez 2 lectures en plaçant le niveau en diagonale dans une direction, puis dans l'autre direction. Si nécessaire, ajustez les 4 vis de nivellement à l'aide d'une clé pour niveler l'appareil (reportez-vous à la figure 12).
- Glissez délicatement la cuisinière, en faisant attention de ne pas abîmer le dessus du comptoir, dans le découpage du comptoir et vérifiez si elle est encore de niveau. Si la cuisinière n'est plus de niveau, tirez-la hors du découpage et réajustez les vis de nivellement ou assurez-vous que le plancher est bien au niveau.

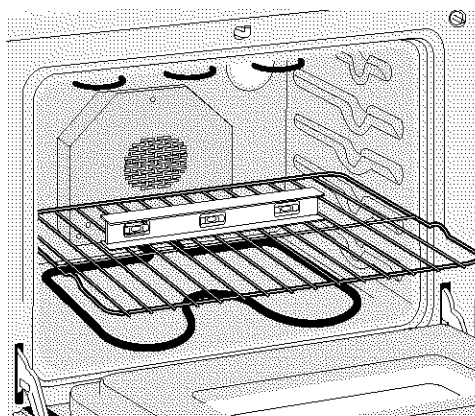


Figure 9

7. Vérification du Fonctionnement

Référez-vous au Guide de l'utilisateur fourni avec la cuisinière pour les directives de fonctionnement d'entretien et de nettoyage.

⚠ MISE EN GARDE Ne touchez pas aux éléments. Ils peuvent être assez chauds pour causer des brûlures.

Enlevez tout le matériel d'emballage du four avant de commencer les essais.

1. Fonctionnement des éléments de surface

Faites chauffer chacun des éléments de surface et vérifiez s'ils chauffent. Vérifier si la (les) lampe(s) témoin(s) s'allume(nt) (certains modèles).

2. Fonctionnement des éléments du four

Ce four peut être équipé d'un contrôleur électronique. Chacune des fonctions a été vérifiée à l'usine avant l'expédition. Nous vous suggérons cependant de vérifier une fois de plus le fonctionnement des commandes du contrôleur électronique. Référez-vous au Guide de l'utilisateur pour le mode de fonctionnement. Suivez les instructions sur les fonctions de l'Horloge (Clock), de la Minuterie (Timer), de la cuisson au four (Bake), au gril (Broil), par convection (Convection) (certains modèles) et de nettoyage (Clean). N'oubliez pas de régler l'horloge en premier.

Cuisson au four (Bake)– Après avoir réglé le four à 350°F (177°C) pour la cuisson au four, l'élément inférieur du four doit devenir rouge.

Cuisson au gril (Broil)– Lorsque le four est réglé à Cuisson au GRIL (BROIL), l'élément supérieur du four doit devenir rouge.

Nettoyage (Clean) (certains modèles)– Lorsque le four est réglé pour un cycle autonettoyant, l'élément supérieur devrait devenir rouge durant le préchauffage du cycle. Une fois la température autonettoyante atteinte, l'élément inférieur deviendra rouge.

Convection (certains modèles)– Lorsque le four est réglé à CONV. BAKE/ROAST à 350°F (177°C), l'élément convection se met à chauffer et le ventilateur de convection se met à tourner. Le ventilateur de convection arrête de tourner lorsque la porte du four est ouverte durant la cuisson par convection.

Tiroir-réchaud (certains modèles)– Tournez le bouton d'ajustement à ÉLEVÉ (HI) et vérifiez si le tiroir chauffe.

Lorsque tous les raccords sont terminés

Vérifiez si toutes les commandes sont en position d'arrêt.

Emplacement du numéro de modèle et de série

La plaque signalétique est située sur le châssis avant du four, derrière la porte du four (certains modèles) ou derrière le tiroir (certains modèles).

Lors d'une commande de pièces ou pour toute demande de renseignements au sujet de votre cuisinière, assurez-vous de toujours inclure les numéros de modèle et de série inscrits sur la plaque signalétique de votre cuisinière.

Avant d'appeler le service d'entretien

Réviser la liste des vérifications préventives et les instructions d'opération dans votre Guide de l'utilisateur. Vous sauvez probablement du temps et de l'argent. La liste contient les événements ordinaires qui ne résultent pas de défauts dans le matériel ou la fabrication de cet appareil.

Pour obtenir nos adresse et numéro de téléphone, référez-vous à la garantie et aux renseignements sur les services d'entretien dans votre Guide de l'utilisateur. Prière de nous téléphoner ou de nous écrire pour toute demande d'information au sujet de votre cuisinière et/ou si vous désirez commander des pièces.

8. Optionnel: Anti-Basculant

Modèles avec table de cuisson levable seulement)

Soulevez la table de cuisson et supportez-la avec le support prévu à cet effet. Percez des trous de 1/8" de diamètre dans le comptoir en utilisant les trous des panneaux latéraux supérieurs comme gabarit. Fixez les panneaux latéraux supérieurs au comptoir en utilisant les vis fournies dans un sac de plastique dans le four.

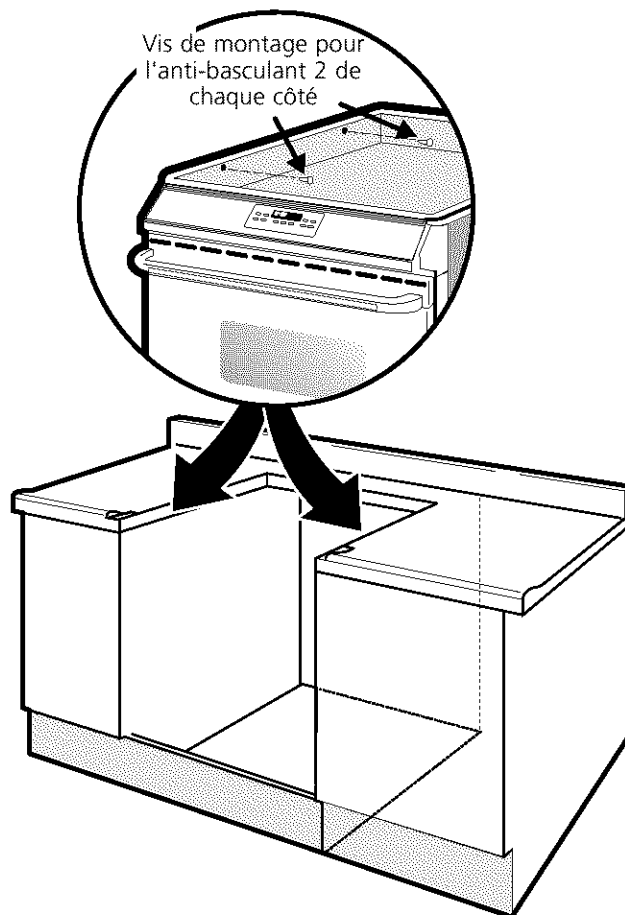


Figure 10

Instructions de sécurité importantes

Pour réduire le risque de basculement de la cuisinière, protégez-la en installant les vis et les supports anti-basculés fournis avec la cuisinière. Ils sont situés dans un sac de plastique dans le four. Si vous n'installez pas ces supports anti-basculés, la cuisinière risque de basculer si un poids excessif est placé sur une porte ouverte ou si un enfant y grimpe. Les renversements de liquides chauds ou la cuisinière peuvent provoquer de sérieuses blessures.

Suivez les instructions ci-dessous pour installer les supports anti-basculés.

Si vous déplacez la cuisinière pour l'installer à un autre endroit, vous devez également déplacer les supports anti-basculés pour les installer avec la cuisinière. Voyez l'étape 5 pour vérifier comment procéder à une installation correcte.

Outils Requis :

Tourne-écrou de 5/16" ou tournevis à tête carrée
Clé à molette
Perceuse électrique
Foret de 3/16" de diamètre
Foret de maçonnerie de 3/16" diamètre (si l'installation se fait dans du béton)

Instructions d'installation des supports anti-basculés

Les supports anti-basculés se fixent au plancher, à l'arrière de la cuisinière, pour retenir les deux pieds niveleurs. En les fixant au plancher, assurez-vous que les vis ne pénètrent pas dans la plomberie ou le câblage électrique. Les vis fournies fonctionneront aussi bien dans du bois que dans du béton.

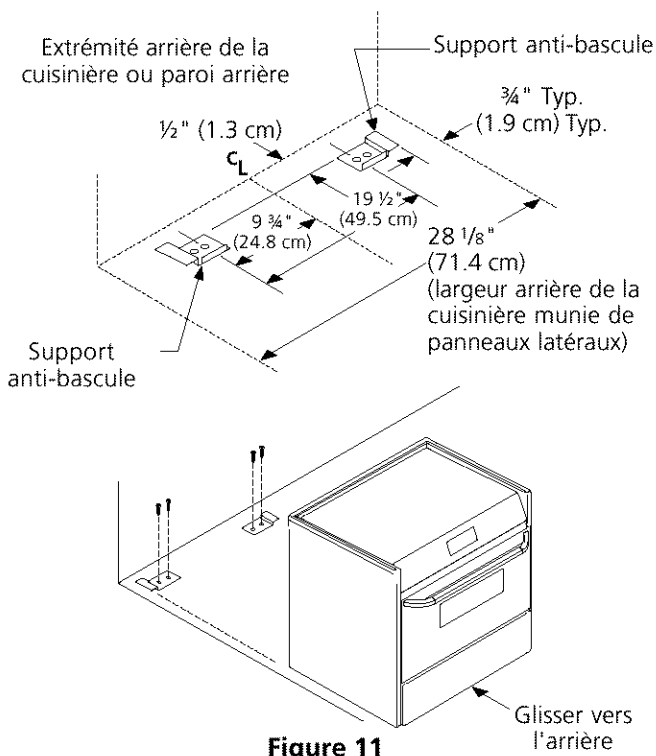


Figure 11

1. Dépliez le gabarit de papier et placez-le à plat sur le plancher, l'endos et les extrémités des côtés exactement à l'endroit où l'arrière et les côtés de la cuisinière seront placés lors de l'installation (utilisez le diagramme ci-dessous pour localiser les supports anti-basculés si le gabarit de papier n'est pas disponible).
2. Tracez sur le plancher l'emplacement des 4 trous de montage indiqués sur le gabarit. Pour faciliter l'installation, des trous pilotes d'un 1/2" (1.3 cm) de profondeur et 3/16" (0.5 cm) de diamètre peuvent être percés dans le plancher.
3. Enlevez le gabarit et placez les supports anti-basculés sur le plancher, le rebord renversé vers l'avant. Alignez les trous dans les supports anti-basculés avec les trous tracés sur le plancher et fixez avec les 4 vis fournies. Les supports anti-basculés doivent être fixés sur un plancher solide. Si vous les fixez à un plancher en béton, percez d'abord des trous pilotes de 3/16" (0.5 cm) de diamètre à l'aide d'un foret à maçonnerie de 3/16" (0.5 cm) diamètre.
4. Mettez la cuisinière à niveau au besoin, en l'ajustant avec les 4 pieds niveleurs à l'aide d'une clé à molette (voir Figure 5 ci-dessous). Un dégagement minimum de 1/8" (0.3 cm) est requis entre le bas de la cuisinière et les pieds niveleurs arrière pour disposer de suffisamment d'espace pour installer les supports anti-basculés.
5. Remplacez la cuisinière en la faisant glisser, en vous assurant que les pieds arrière ont été bien agrippés par les extrémités des supports anti-basculés. Il est possible que vous ayez à la déplacer légèrement d'un côté en la repoussant vers l'arrière pour que les pieds arrière s'alignent avec les supports anti-basculés. Agrippez le dessus de l'extrémité arrière de la cuisinière et essayez soigneusement de l'incliner vers l'avant pour vous assurer que la cuisinière est correctement ancrée.

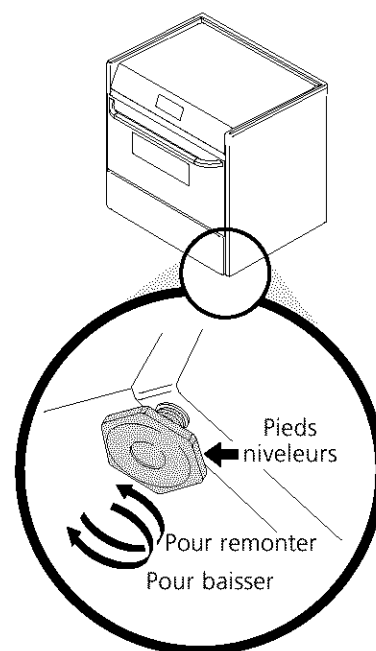
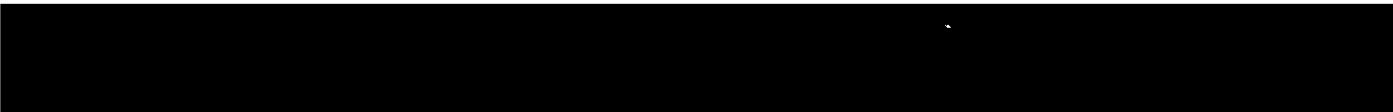


Figure 12



Notes - Notas