

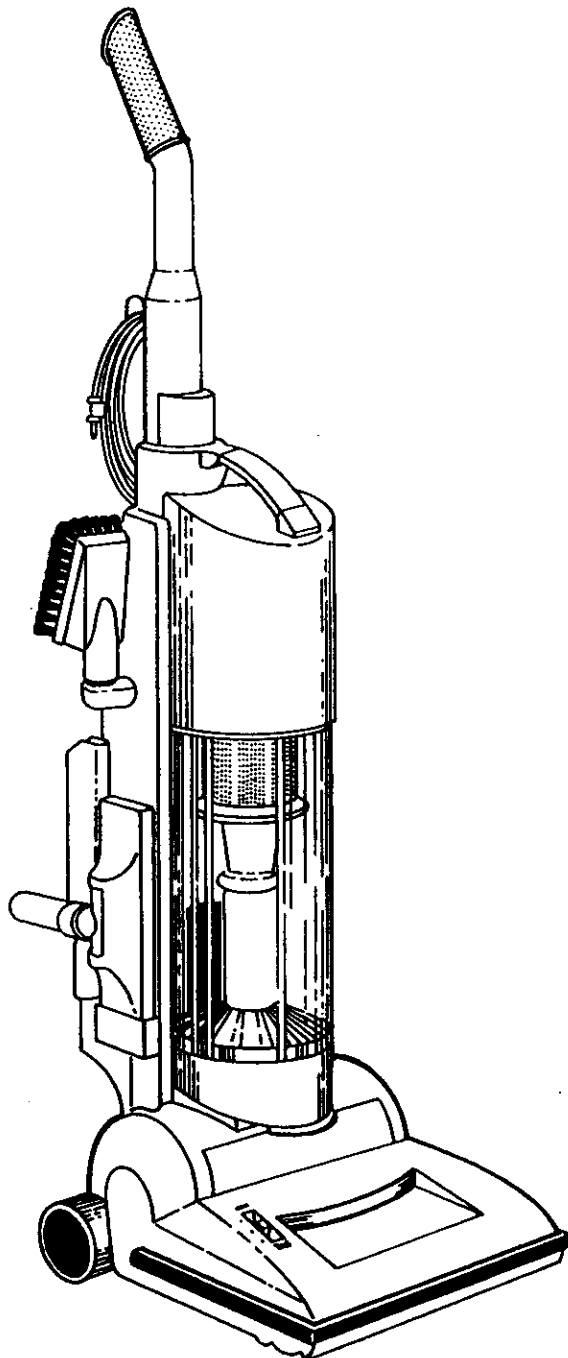
SEARS Owner's Manual



DESTINY[®] II

UPRIGHT VACUUM CLEANER

Model No.
204.36997690



WARNING:
Before using vacuum cleaner,
read this manual and follow
all its Safety Rules and
Operating Instructions

SAFETY

ASSEMBLY

OPERATION

MAINTENANCE

ESPAÑOL

TABLE OF CONTENTS

• Important Safety Instructions	1
• Storage Position	2
• Assembly	
• Connecting the Handle	3
• Attachments	3
• Operation:	
• Power Cord Use & Storage	3
• Upright Release	4
• Switch	4
• Carpet Height Adjustment	4
• Carrying Handle	4
• Headlight	5
• Activating the Cleaning Wand	5
• Attachments To Hose	6
• Emptying the Collection Bin	6
• Keeping the Rotating Brush Clean	6
• Overload Protection	7
• Maintenance:	
• Removing a Blockage	7
• Replacing a Broken Belt	8
• Replacing a Light Bulb	8
• Removing a Used HEPA Filter Cartridge	9
• Inserting a New HEPA Filter Replacement Cartridge	9
• Service Contact Numbers	10

FULL ONE YEAR WARRANTY

When used for private home use, if within one year from the date of purchase, this vacuum cleaner fails due to a defect in material or workmanship, RETURN IT TO THE NEAREST SEARS SERVICE CENTER/ DEPARTMENT IN THE UNITED STATES and Sears will repair it free of charge.

If this cleaner is used for commercial or rental purposes, the above warranty coverage applies for only 90 days from the date of purchase.

This warranty gives you specific legal rights, and you may also have other rights which vary from state to state.

Sears, Roebuck and Co., Dept. 817 WA, Hoffman Estates, IL 60179

IMPORTANT SAFETY INSTRUCTIONS

When using an electrical appliance, basic precautions should be followed, including the following:

READ ALL INSTRUCTIONS CAREFULLY BEFORE USING THIS APPLIANCE.

WARNING – To reduce the risk of fire, electric shock, or injury:

- Do not leave appliance when it is plugged in. Unplug from the outlet when the appliance is not in use, and before servicing.
- Do not use outdoors, or on wet surfaces.
- Do not allow the appliance to be used as a toy. Close attention is necessary when it is used by or near children.
- Use only as described in this manual. Use only manufacturer's recommended attachments.
- Do not use with damaged cord or plug. If the appliance is not working as it should, if it has been dropped, damaged, left outdoors, or has been dropped into water, return it to an authorized Sears Center for inspection or call 1-800-488-1222 for an authorized Service Center near you.
- Do not pull or carry by cord, use the cord as a handle; close a door on the cord, or pull the cord around sharp edges or corners. Do not run appliance over the cord. Keep cord away from heated surfaces.
- Do not unplug by pulling on the cord. To unplug, grasp the plug, not the cord.
- Do not handle plug or appliance with wet hands.
- Do not put any object into openings. Do not use with any opening blocked; keep free of dust, lint, hair, and anything that may reduce airflow.
- Keep hair, loose clothing, fingers, and all parts of the body away from openings and moving parts.
- Do not pick up anything that is burning, or smoking, such as cigarettes, matches, or hot ashes while operating the machine.
- Do not operate without the Collection Bin in proper place or damage to the motor may occur.
- Turn off the switch before unplugging.
- Use extra care when cleaning on stairs.
- Do not use to pick up flammable or combustible liquids such as gasoline, or use in areas where they may be present.
- Unplug cleaner before servicing. This includes such tasks as cleaning the rotating brush, removing a blockage, replacing a broken belt, or light bulb.
- The machine should be turned off before removing or replacing the Collection Bin, HEPA Filter Housing cover and the Filter Cartridge.
- Avoid the use of extension cords.
- Pick-up hard, sharp objects and other large surface litter by hand.
- When cleaning the outside of your machine, wipe with a damp versus dry cloth. This will reduce the effect of any static electricity.
- Have repairs made by an authorized Sears Service Center. Do not try self repair as this will invalidate your warranty.
- Use the DESTINY II vacuum cleaner only for its intended use as described in this Owner's Manual.
- When the Cleaning Wand is activated, the brush on the underside of the machine continues to rotate. When using the Cleaning Wand, do not station the machine over the cord, carpet fringes or on soft upholstered surfaces.

SAVE THESE INSTRUCTIONS.

POLARIZATION

To reduce the risk of electric shock, this appliance has a polarized plug (one blade is wider than the other). This plug will fit in a polarized outlet only one way. If the plug does not fit fully in the outlet, reverse the plug, if it still does not fit, contact a qualified electrician to install the proper outlet. Do not change the plug in any way.

ASSEMBLY

Dear Kenmore DESTINY® II Vacuum Owner:

Congratulations! You are now the proud owner of one of the finest vacuum cleaners made in North America. The DESTINY II vacuum represents a remarkable advance in household cleaning.

It all began when its originators challenged the traditional standards of vacuuming performance. They sought to improve upon existing technology by harnessing the force of two cyclones in sequence.

The result is a product that provides many advantages in power, performance and cleaning ease. Best of all, this vacuum is user friendly. And, because it doesn't use paper filter bags, it is environmentally friendly.

Please read this Operating Manual carefully and review the How to Use Video, to understand fully the features of the DESTINY II vacuum cleaner.

Also, PLEASE SAVE THIS OWNER'S MANUAL.

Unit Shown With Handle In Upright Storage Position

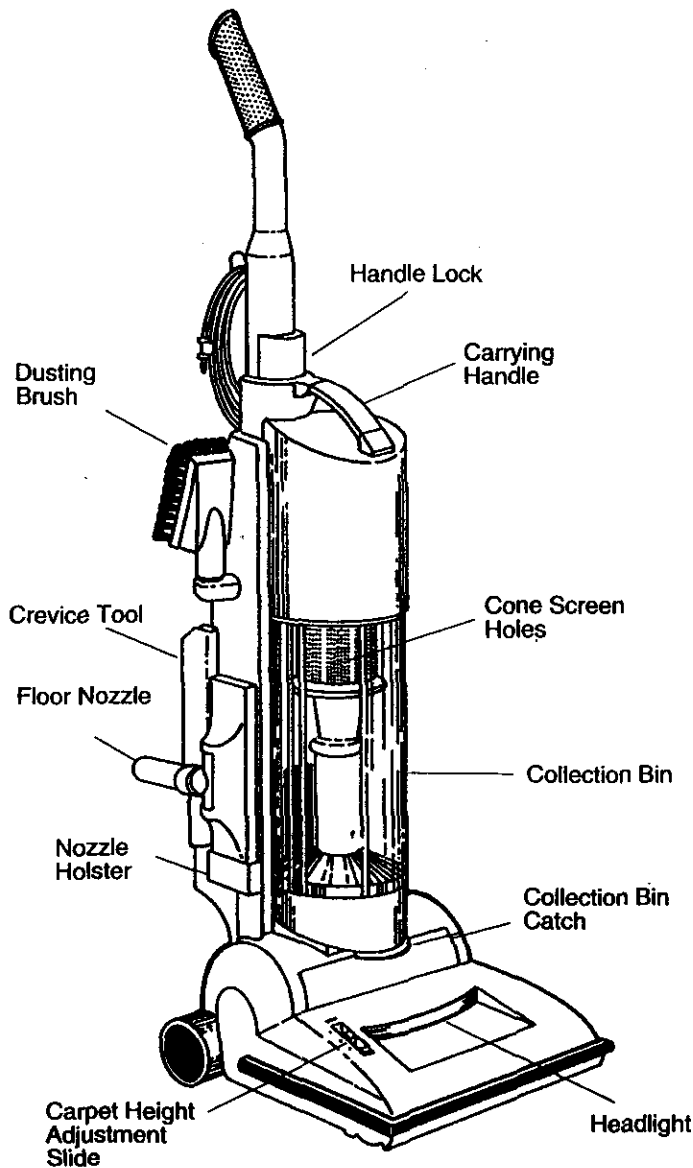


FIGURE 1(a)

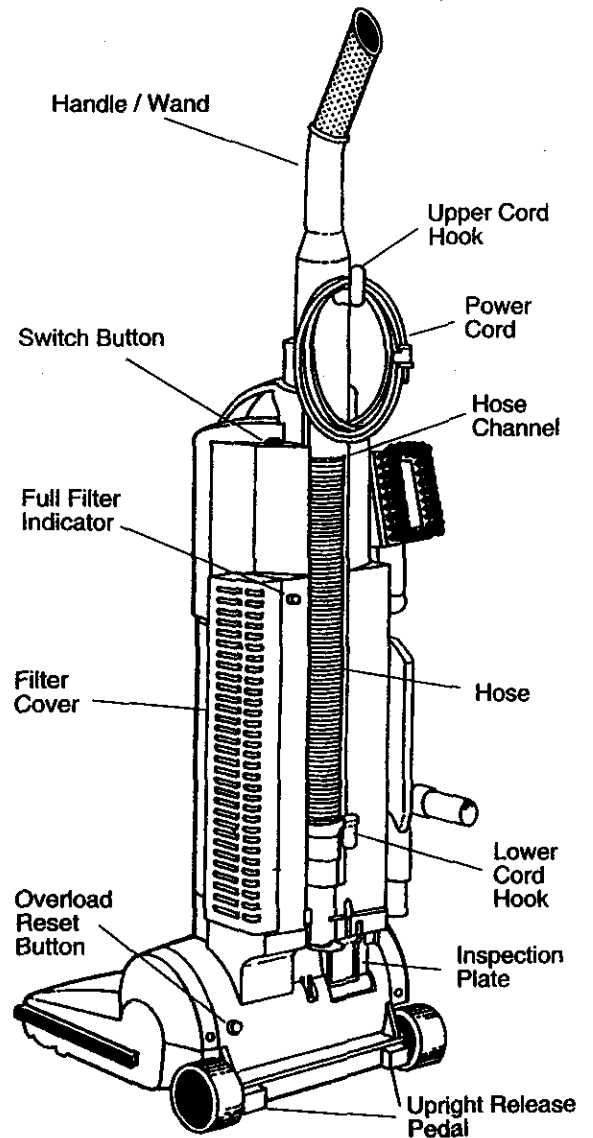


FIGURE 1(b)

ASSEMBLY

The Handle/Wand Assembly has been packed separately with the main unit. To assemble the Wand into the Hose:

- Hold the Hose Collar tightly in one hand.
- Insert the Wand end into the Hose Collar and push firmly until the Wand enters and slides easily into the full length of the Hose. (Figure 2) Make sure the Wand reaches the bottom of the Hose.

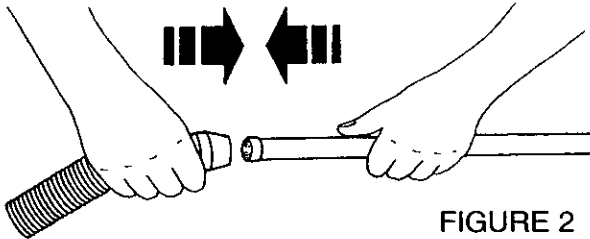


FIGURE 2

- Place the Hose/Wand Assembly into the Hose Channel located at the rear of the machine. (Figure 3)
- When in the channel, press the Handle down until it locks into place with an audible click. (Figure 3a)

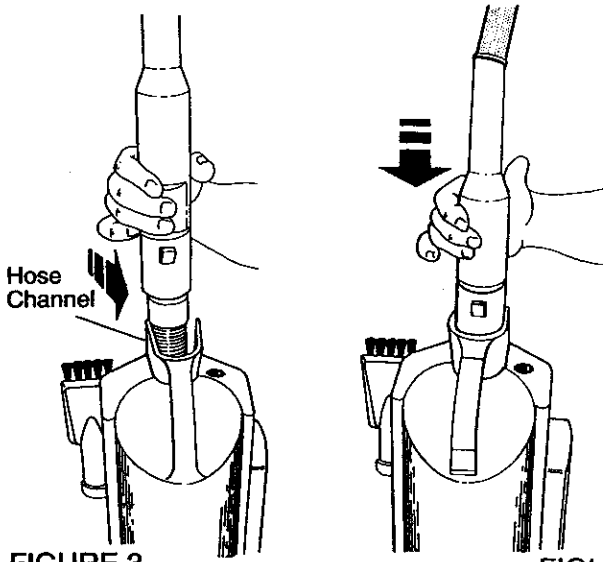


FIGURE 3

FIGURE 3a

On-Board Attachments

The DESTINY II vacuum cleaner carries three handy attachments on its base. (Figures 1a & 4) They are:

1. A **crevice tool** to help you get at the most difficult nooks and crannies.
2. A **dusting brush** so you can vacuum sofas, drapes, pillows, etc.
3. A **floor nozzle** with an air flow adjustment feature for cleaning either carpeted or hard floor surfaces.

The Floor Nozzle is stored on the machine in the Floor Nozzle Holster. (See Figure 1a on page 2)

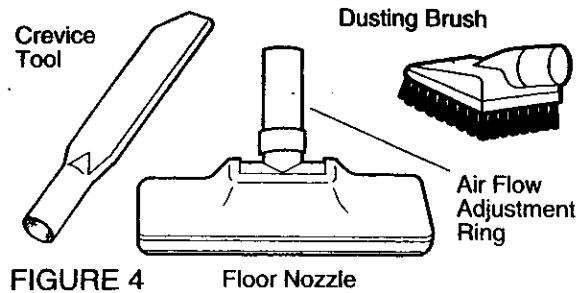


FIGURE 4

Floor Nozzle

OPERATION

The DESTINY II vacuum cleaner is ready to work as soon as you connect the Handle to the unit.

Please read these instructions carefully.

IMPORTANT: DO NOT attempt to pick up large surface litter, cellophane, twine, or large solid objects such as coins, paper clips, safety pins etc. If objects such as these accidentally become caught in the rotating brush, a loss of suction and cleaning ability can result.

Power Cord Use and Storage

- Uncoil the Cord which is coiled tightly for shipping.
- To store the Cord on the machine, wind the Power Cord around the Upper and Lower Cord hooks. Fasten the Cord Plug to the Power Cord by snapping the Cord Plug Retainer over the Power Cord. (Figure 5)
- To ready the machine for use, rotate the Upper Cord Hook to the down position, then remove the Power Cord from the Upper and Lower Hooks. (Figure 5a)
- A Cord Retainer Clip is provided to enable the Cord to be retained in a more convenient location. Attach the Cord Retainer Clip onto the lower part of the handle Grip. (Figure 6)

Note: Remember to remove the Cord from the Cord Retainer Clip before activating the Cleaning Wand.

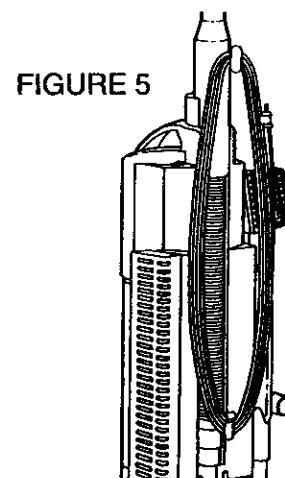


FIGURE 5

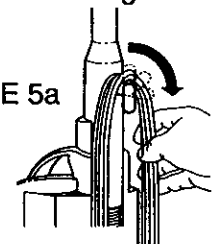


FIGURE 5a

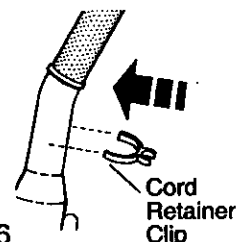


FIGURE 6

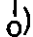
Cord Retainer Clip

OPERATION

Upright Release

- To release the machine from its Upright Storage Position, simply press down on the Upright Release Pedal with either foot. (Figure 7)
- Lower the Handle to your normal operating position. The DESTINY II vacuum cleaner will work at any angle that is comfortable for you.
- When you are ready to store your machine, return it to the Upright Storage Position by moving the Handle upwards and tilting the machine forward until the Handle "clicks" into place.

Switch

- To switch the machine On and Off, press the Switch Button at the top of the Unit. (Figure 7)
(The symbol for the push on/push off switch appears on the switch bottom as: )

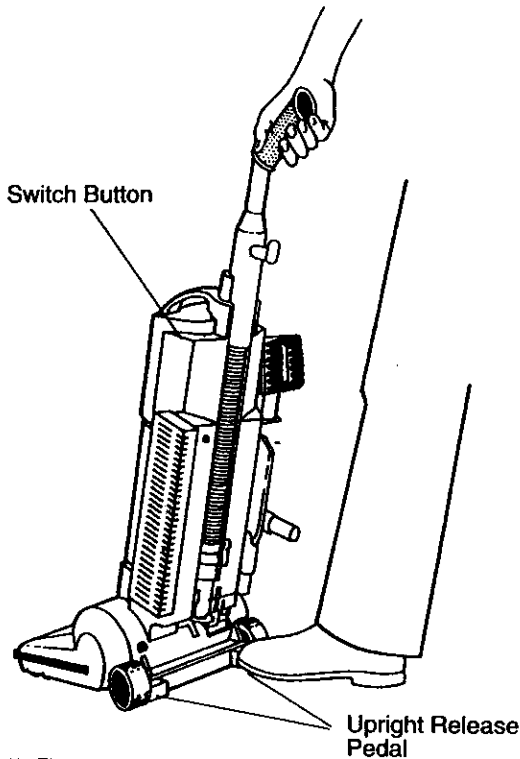

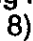


FIGURE 7

Carpet Height Adjustment

The DESTINY II vacuum cleaner has a Carpet Height Adjustment Slide at the left of the Base Cover of the machine which should be used to adjust the different heights of carpet as you move from room to room.

- Determine whether your carpet has a Low, Medium or High carpet pile.

- With the machine "Off" and in the upright position, push the Slide to the top for low pile (), to the center for medium pile, and to the bottom for high pile (). Adjust to a higher setting if you find it difficult to push the machine. (Figure 8)

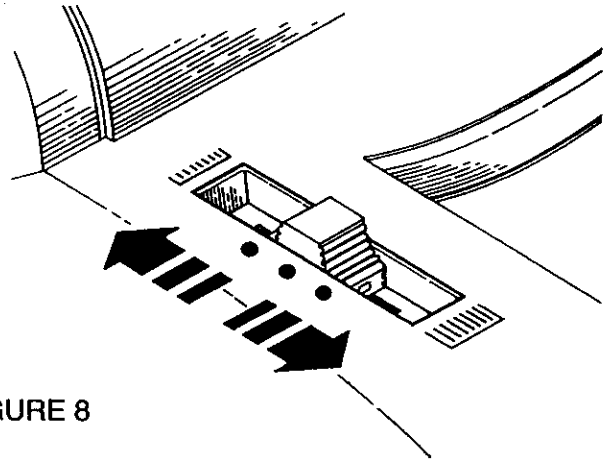


FIGURE 8

Carrying Handle

The DESTINY II vacuum can be easily carried with one hand by lifting it with the Carrying Handle located at the top of the unit. (Figure 9)

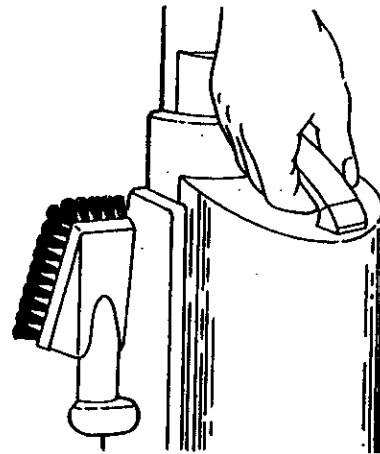


FIGURE 9

Headlight

The DESTINY II vacuum has a headlight in the top surface of the Cover to assist you in cleaning dark areas.

The headlight automatically comes on when you turn the machine on, and turns off when you switch the machine off.

See MAINTENANCE SECTION of this manual for bulb replacement.

OPERATION

Activating the Cleaning Wand (For Bare Floor and Above Floor Cleaning)

The DESTINY II vacuum cleaner's handle is able to turn itself into a Cleaning Wand with 10 feet of reach.

- To activate the Cleaning Wand, the machine must be in its upright position.
- Squeeze the Handle/Lock located at the front of the handle and lift up in the direction of the arrow to detach the handle. (Figure 10)

NOTE: Remember to remove the Cord Retainer Clip before activating the Cleaning Wand.

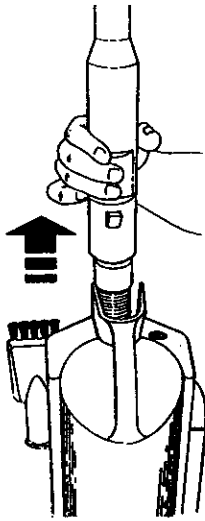


FIGURE 10

- Pull out the Cleaning Wand which resides inside the Hose. Any of the attachments can be inserted into the Handle end. (Figure 11)

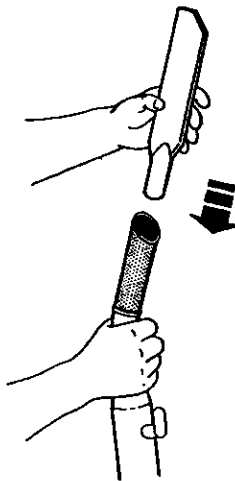


FIGURE 11

- To return the machine to its Upright Operating Mode, push the Cleaning Wand back inside the Hose. Then, engage the bottom handle-hole over its mating post at the rear of the top of the machine.

Helpful Hints:

- When using the Cleaning Wand, to ensure maximum performance and convenience, fully extend the Wand from the Hose and then grip either the Wand or Hose Cuff. (Figure 12)
- Never pull your DESTINY II vacuum by the Hose. It can be moved easily by grasping the Carrying Handle and tilting the machine onto its rear wheels. (Figure 12)
- For above the floor cleaning, eg., stairs or ceilings, it is recommended that a Hose Extension be used. This will guard against overstretching your hose and provide an additional 7 feet of cleaning length.

To purchase a Hose Extension contact an authorized Sears Service Center.

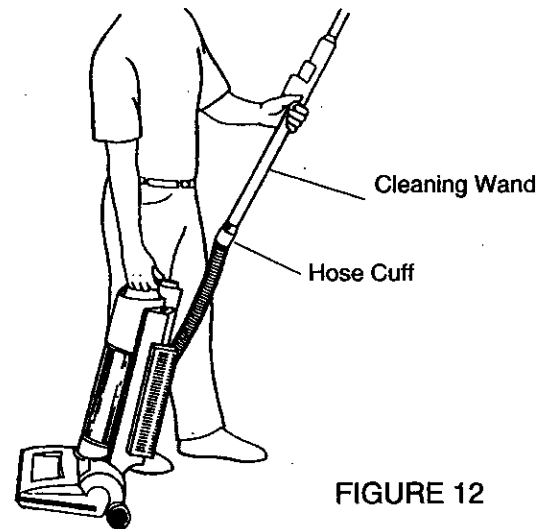


FIGURE 12

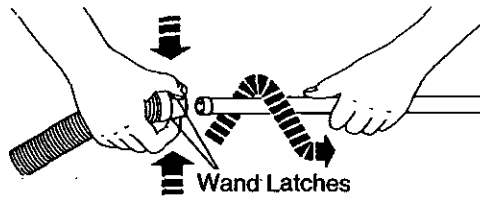
OPERATION

Attachments to Hose

The attachments can be fitted onto the end of the Cleaning Wand as per Figure 11 on page 5, or for added versatility, inserted directly into the Hose-end as follows:

- Activate the Cleaning Wand as per Figure 10 on page 5.
- Slide the Metal Tube of the Cleaning Wand as far out of the Hose as it will freely go.
- Hold the Hose Collar in one hand and with thumb and finger press in both latches on the Hose Collar. With the latches pressed in, use the other hand to pull the Wand out of the Hose Collar. (Figure 14)

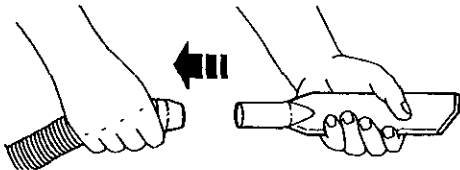
FIGURE 14



Helpful Hint: For easier removal of the Wand, rotate it as you pull it out of the Hose Collar.

- Insert the desired attachment into the Hose Collar. (Figure 15)

FIGURE 15



Note: It is not necessary to press in the latches when inserting or removing the attachments or when re-inserting the Cleaning Wand.

- To re-assemble the Wand, simply re-insert the Wand back into the Hose Collar. (Figure 2 on page 3)

Emptying the Collection Bin

The DESTINY II vacuum cleaner has a see through Collection Bin with a Maximum Fill line indicated on it, so you know exactly when the bin needs to be emptied of its collected dirt.

- To remove the Collection Bin from the base of the machine simply insert your fingers under the Collection Bin Catch, lift up and out, and pull away. (Figure 16)
- Empty the collected dirt into a trash can.
- Make sure to empty the dirt from both the Outer and Inner Collection Chambers. (Figure 16)

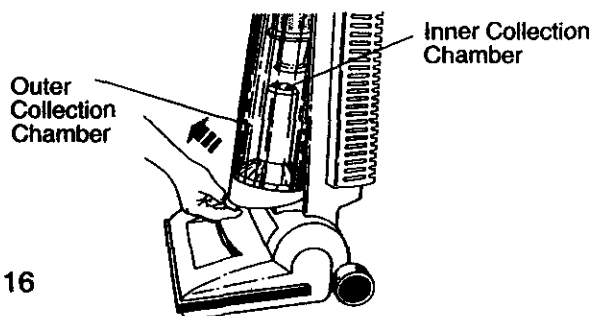


FIGURE 16

- Before returning the Bin to the machine:
 - Make sure all the dirt has been removed from the Collection Bin.
 - Remove any dirt or lint that may have accumulated in the cyclone entrance. (Figure 17)
 - Clear the Screen Holes on the Cone of any dirt or lint that may have accumulated. (Figure 17)

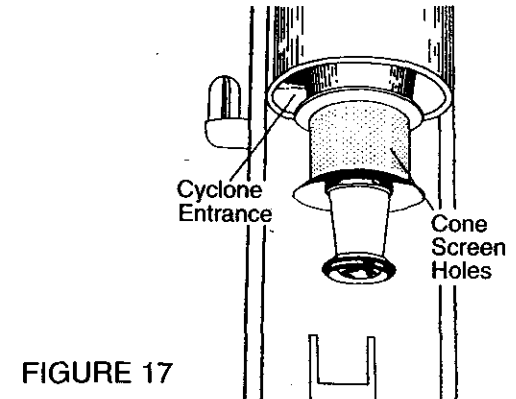


FIGURE 17

- Return the Collection Bin to its original position. Make sure the Bin Catch snaps into place on the machine.

Note:

- If the Bin is not securely in place, a loss of suction may occur during vacuuming.
- Be sure the machine is off before removing or replacing the Collection Bin.
- It is recommended that you empty the dirt Collection Bin after every cleaning.

Keeping the Rotating Brush Clean

The Rotating Brush is designed to perform effectively for long periods of time. However, hair, string, and other debris can accumulate. Check the brush for accumulation. (Figure 18)

Note:

- Be sure to unplug the machine before removing any debris.
- See MAINTENANCE SECTION of this manual for the removal of debris and blockages.

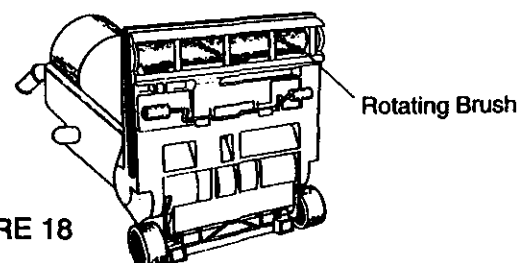


FIGURE 18

OPERATION

Overload Protection

The DESTINY II vacuum has an overload protection system that is designed to shut the motor off if it is subjected to an excessive load.

If the machine shuts itself off, unplug the machine and check for a blockage. See the following MAINTENANCE SECTION for removing a blockage.

Before the machine can be switched on again, the Reset Button must be pressed in. (Figure 19)

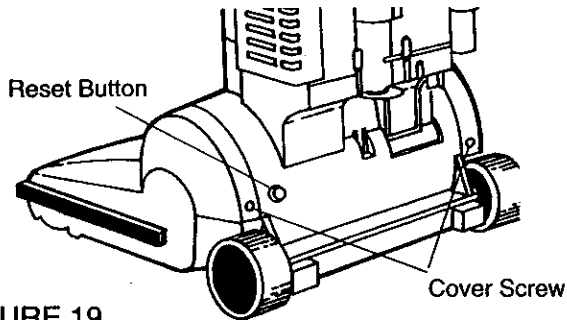


FIGURE 19

- Press the Reset Button if the Overload Protection System has again shut the machine down. (Figure 19)

If you do not find any blockage in this area, and/or the machine shuts itself off or the loss of suction persists, a more detailed inspection will be necessary as follows:

- Unplug the machine.
- Grasp and pull the tab on the Fluff Trap Plug to open and expose the Fluff Cleanout opening. (Figure 21) Remove all fluff from this screened area then close the Plug and ensure that it is fully assembled.

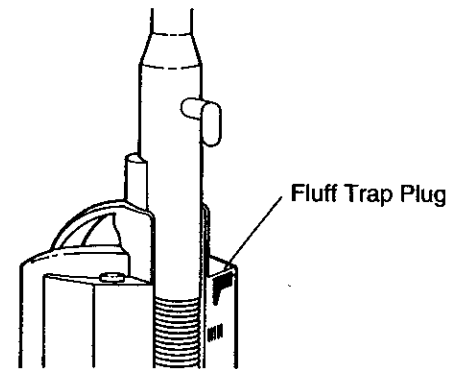


FIGURE 21

MAINTENANCE

Removing a Blockage

If the DESTINY II vacuum cleaner shuts itself off and the dirt in the Collection Bin stops swirling, or if you experience a loss of suction power, it may be due to a blockage in an air passage.

- Unplug the machine.
- Press the Reset Button if the Overload Protection System has shut the machine down. (Figure 19)
- Lay the machine down on its front face with the rear of the base facing up.
- Rotate the inspection Plate Knob out of the locked position and then swing the Rear Inspection Plate away from the rear of the machine. (Figure 20)

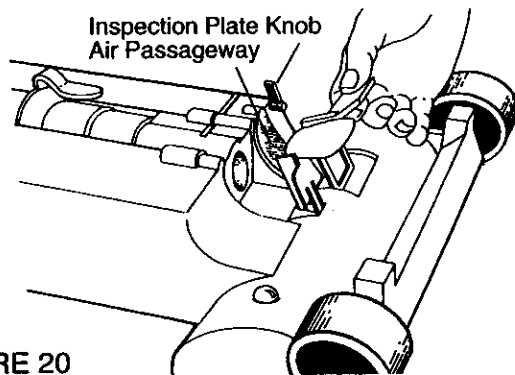


FIGURE 20

- Look up into the air passageway and if there is a blockage, clean it out. Close the Rear Inspection Plate and pivot the Inspection Plate Knob back into the locked position.

- Press the Reset Button if the Overload Protection System has once again shut the machine down. (Figure 19)
- Place the machine in its Upright Storage Position. (Figure 1a on page 1)
- Remove the Collection Bin and check for any dirt or lint that may have accumulated in the Cyclone Entrance. (Figure 17 on page 6)
- Unscrew the two screws which are located at the rear of the Lower Base Cover. (See Figure 19)
- Pivot the Lower Base Cover toward the front to disengage the 3 cover locking tabs, then lift the Lower Base Cover away.
- Remove any accumulated dirt or threads from the brush and/or remove any large objects from this area that may have jammed the brush. Also, check that the Rotary Valve Inlet is not clogged with dirt or objects. (Figure 22)
- Check the belt to be sure that it is in good condition. A stretched or faulty belt will prevent the machine from operating properly. (Figure 22)

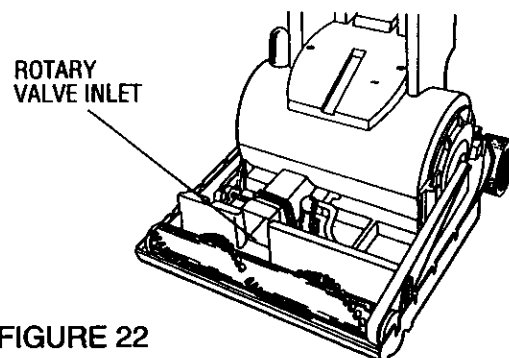


FIGURE 22

MAINTENANCE

- Replace Cover by hooking all 3 Cover lock tabs into the 3 tab slots of the Base Assembly. (Figure 23)
- When all tabs are engaged, swing the Cover into place.

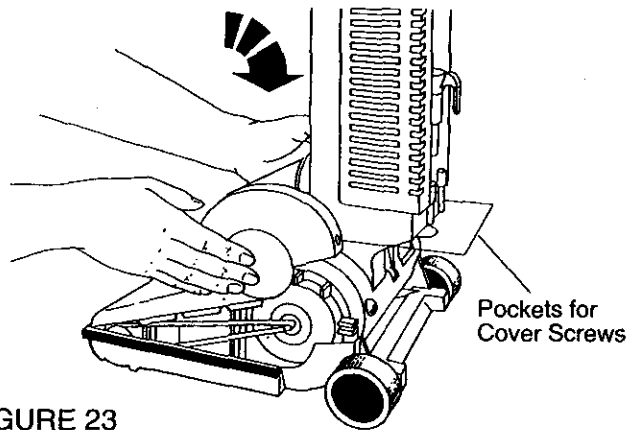


FIGURE 23

- With the Cover in place, pull the top edge of the Bumper forward to check that all 3 tabs are still engaged. Refasten the screws. Do not over tighten.

If the machine still does not start, or if you still experience a loss of suction power, then take it to an authorized Sears Service Center for repair by an Authorized Service Technician.

Replacing a Broken Belt

- Unplug the machine.
- Remove the Lower Base Cover (as described in section Removing a Blockage).
- Lift the Brush Assembly up and out of the slots on the base that retain the metal plates on each end of the Brush Assembly.
- Discard the old belt.
- Place one end of the new belt around the motor shaft, and the other end around the brush. Be sure the belt is not twisted. (Figure 24)

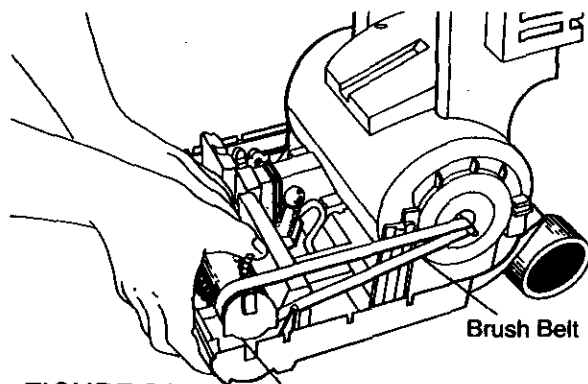


FIGURE 24

Align Metal Plates as Shown for Assembly

For a replacement belt, contact your nearest authorized Sears Service Center.

- Pull the Brush Assembly toward you, and insert the right hand metal plate into the base slot from which it was previously removed.
- Insert the left hand metal plate in the left hand base slot. (See previous Figure 24 for the correct positioning of the assembled metal plates.)
- Rotate the brush by hand to check that the belt is running freely and easily in its designated space between the bristles.
- Replace the Lower Base Cover, and fasten the two cover screws. (Figure 19 on page 7) Do not over tighten.

Replacing a Light Bulb

- Unplug the machine.
- Remove the Lower Base Cover (as described in section on Replacing a Broken Belt).
- Remove the burned out bulb. Press in a new bulb, and twist into place. For replacement bulbs, contact your nearest authorized Sears Service Center.
- Replace the Lower Base Cover and fasten the two cover screws. (Figure 19 on page 7) Do not over tighten.

MAINTENANCE

Removing a Used Filter Cartridge

Replace filter when the button pops out of the back of the air duct and shows red when vacuuming. (Figure 25) The Filter cartridge should last for more than a year when the machine is used for normal household purposes.

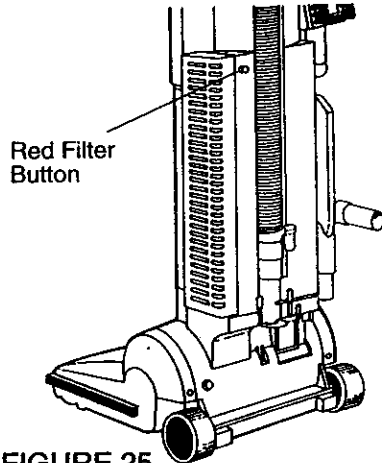


FIGURE 25

- Unplug the machine.
- Slide the Filter Cover up the side of the Air Duct and remove. (Figure 26)

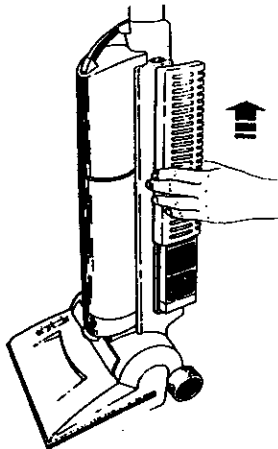


FIGURE 26

- Grasp the plastic strap at the end of the Filter Cartridge and pull out to remove the Cartridge. (Figure 27) Discard Cartridge into a trash can.

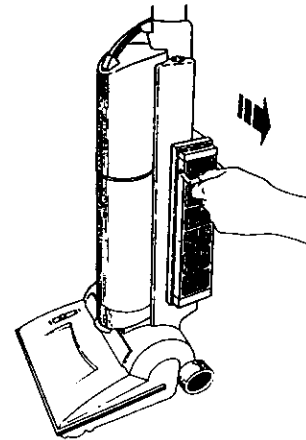


FIGURE 27

For a replacement cartridge, contact your nearest authorized Service Center.

Inserting a New Filter Cartridge

- Unplug the machine
- When handling the new Filter Cartridge be very careful not to damage or tear the pleated filter.
- Slide the Cartridge into the Filter opening until it touches the stops at the back wall. (Figure 28) The arrow on the top of the Cartridge must point outwards.

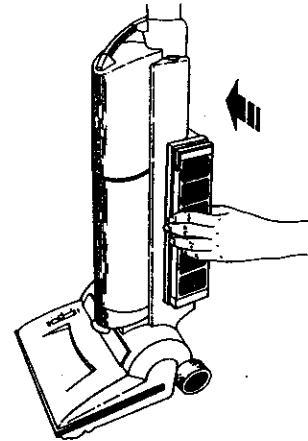


FIGURE 28

- Slide the Filter Cover down into position until fully bottomed.

How to Extend the Life of Your HEPA Absolute Air Filter

Your HEPA Absolute Air filter operates best when you use it under normal household cleaning conditions.

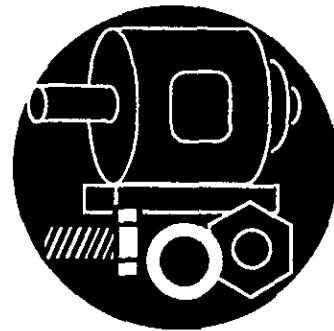
CAUTION: If you leave the HEPA filter cartridge in for abnormal domestic cleaning chores, such as for vacuuming ash from a fireplace, drywall dust or sawdust from a carpentry work area, you will shorten the life of the filter. To clean these areas use a dust pan and brush for the excess dirt, then use the vacuum for the residue.

SERVICE CONTACT NUMBERS

For the repair or replacement parts you need
delivered directly to your home
Call 7 am - 7 pm, 7 days a week

1-800-366-PART

(1-800-366-7278)



For in-home major brand repair service
Call 24 hours a day, 7 days a week

1-800-4-REPAIR

(1-800-473-7247)



For the location of a
Sears Parts and Repair Center in your area
Call 24 hours a day, 7 days a week

1-800-488-1222



For information on purchasing a Sears
Maintenance Agreement or to inquire
about an existing Agreement
call 9 am - 5 pm, Monday-Saturday

1-800-827-6655



The model number of your product is located on
the serial plate beneath the top handle
When requesting service or ordering parts,
always give the following information.

- Product Type
- Part Number
- Model Number
- Part Description

SEARS
REPAIR SERVICES

America's Repair Specialists