

Owner's Manual

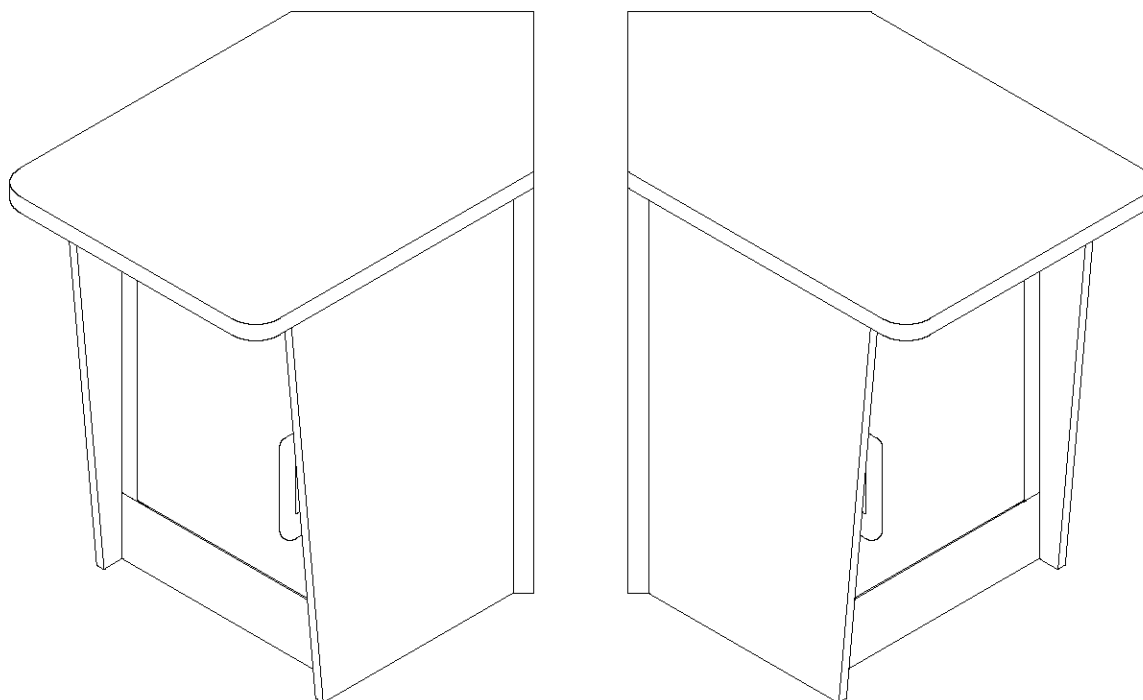


Rustic Tan Granite Island

Model 141.16694 Right Side Rustic Tan
141.16695 Left Side Rustic Tan

Panama Gray Granite Island

Model 141.16696 Right Side Panama Gray
141.16697 Left Side Panama Gray



Grill Information Center: If you have questions about assembly or grill operation, or if there are damaged or missing parts when you unpack this unit from the shipping box, call 8am - 8pm CST, Monday - Friday at: **1-888-317-7642**

WARNING

Your Granite Island is very heavy. With the assistance of another person, use care when unpacking, moving and assembling the granite pieces to avoid bodily injury and breakage of the granite.

Note to Installer: Leave this Owner's Manual with the consumer after delivery and/or installation.

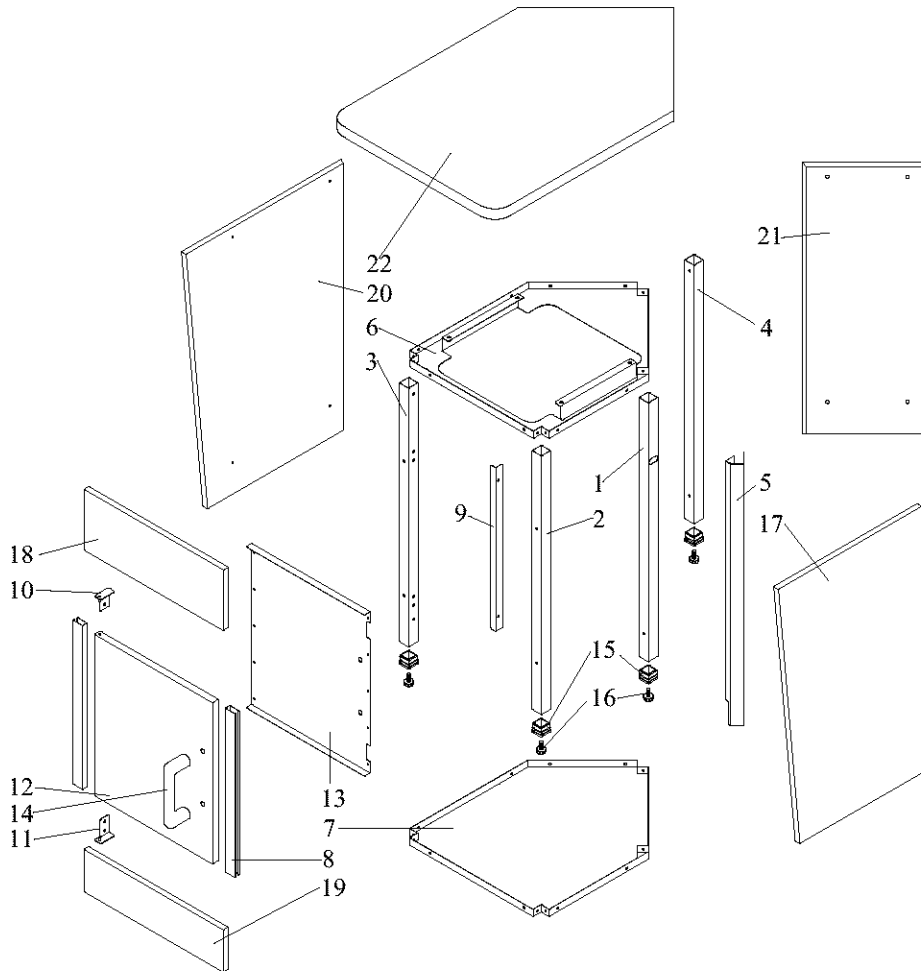
Note to Consumer: Due to the natural qualities of granite, the grain, texture and color will vary slightly between pieces and from printed swatches.

Leave this Owner's Manual in a convenient place for future reference.

**Sears, Roebuck and Co.,
Hoffman Estates, IL 60179 U.S.A.**

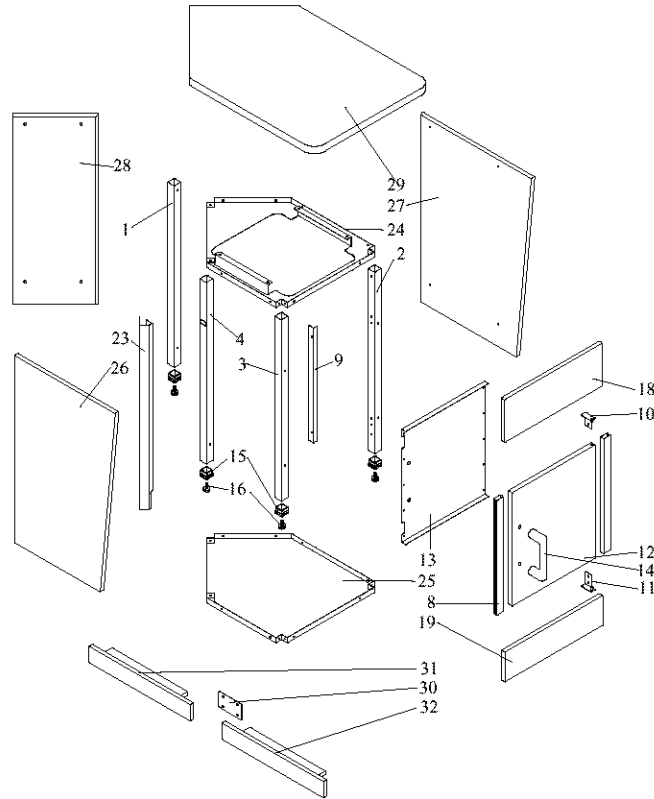
Left Granite Island Parts List

Before assembling your Granite Island, use the parts list below to check that all necessary parts have been included. Inspect parts for damage as you proceed. If there are damaged or missing parts when you unpack this unit from the shipping box, call us 8am - 8pm CST, Monday through Friday at: 1-888-317-7642



REF#	DESCRIPTION	PART#	QTY	REF#	DESCRIPTION	PART#	QTY
1.	Leg - L1/R4	P00912039C	2	17.	Granite Panel - LA Rustic Tan Panama Gray	P07802015A P07803015A	1 1
2.	Leg - L2/R3	P00910040C	2	18.	Granite Panel - LB1 / RB1 Rustic Tan Panama Gray	P07802021A P07803021A	2 2
3.	Leg - L3/R2	P00911041C	2	19.	Granite Panel - LB2 / RB2 Rustic Tan Panama Gray	P07802022A P07803022A	2 2
4.	Leg - L4/R1	P00913042C	2	20.	Granite Panel - LC Rustic Tan Panama Gray	P07802017A P07803017A	1 1
5.	S/S Decorative Plate - Left - L5	P07505012A	1	21.	Granite Panel - LD Rustic Tan Panama Gray	P07802019A P07803019A	1 1
6.	Left Top Table Panel - L6	P01004038D	1	22.	Left Granite Top Table Panel-LF Rustic Tan Panama Gray	P07802013A P07803013A	1 1
7.	Left Bottom Shelf - L7	P01004039D	1				
8.	Door Decorative Panel	P07511011A	4				
9.	Door Stop Plate	P05510118A	2				
10.	Door Hinge - Top	P03314030A	2				
11.	Door Hinge - Bottom	P03314031A	2				
12.	Door Panel	P04301013B	2				
13.	Door trim Panel	P07510010A	2				
14.	Round Door Handle	P00216037A	2				
15.	Leg Seat	P04516014A	8				
16.	Adjustment Bolt Seat	P05322036A	8				

Right Granite Island Parts List



REF#	DESCRIPTION	PART#	QTY	REF#	DESCRIPTION	PART#	QTY
23.	S/S Decorative Plate - Right - R5	P07504012A	1	31.	Granite Decorative Panel For 4 Burners Grill		
24.	Right Top Table Panel - R6	P01004040D	1		-Rustic Tan - LE	P07802023A	1
25.	Right Bottom Shelf - R7	P01004041D	1		-Panama Gray - LE	P07803023A	1
26.	Granite Panel - RA				Granite Decorative Panel For 6 Burners Grill		
	Rustic Tan	P07802016A	1		-Rustic Tan - LE	P07802024A	1
	Panama Gray	P07803016A	1		-Panama Gray - LE	P07803024A	1
27.	Granite Panel - RC			32.	Granite Decorative Panel For 4 Burners Grill		
	Rustic Tan	P07802018A	1		-Rustic Tan - RE	P07802027A	1
	Panama Gray	P07803018A	1		-Panama Gray - RE	P07803027A	1
28.	Granite Panel - RD				Granite Decorative Panel For 6 Burners Grill		
	Rustic Tan	P07802020A	1		-Rustic Tan - RE	P07802028A	1
	Panama Gray	P07803020A	1		-Panama Gray - RE	P07803028A	1
29.	Right Granite Top Table Panel-RF				----- Hardware Pack "A"	P06016044A	2
	Rustic Tan	P07802014A	1		----- Hardware Pack "B"	P06016056A	1
	Panama Gray	P07803014A	1		----- Owner's Manual	P80147054A	1
30.	Connection Plate	P05326037G	1				

For the repair or replacement parts you need: Call anytime

1-800-4-MY-HOME® (1-800-469-4663)

To make sure you obtain the correct replacement parts for your Kenmore Granite Island, please refer to the part numbers on this page. The following information is required to assure you receive the correct parts:

1. Granite Island Model Number
2. Part Number
3. Part Description
4. Quantity of parts needed

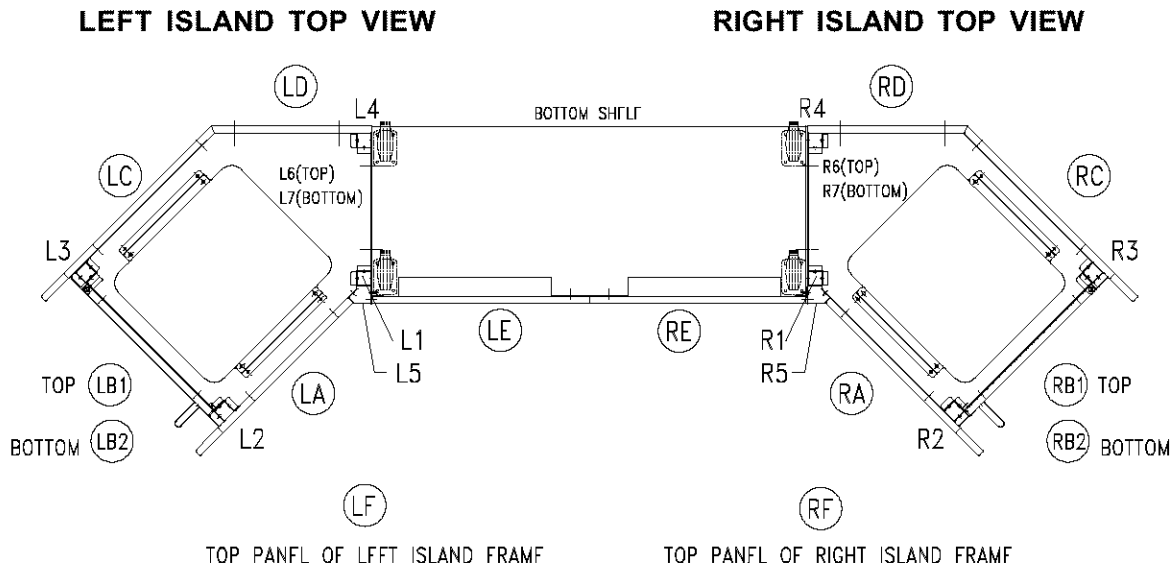
Important: Keep this Owner's Manual for convenient referral and for part replacement.

Important: Use only Sears authorized parts. The use of any part that is not Sears authorized can be dangerous and will also void your product warranty.

Grill Information Center: If you have questions about assembly or if there are damaged or missing parts when you unpack this unit from the shipping box, call us 8am - 8pm CST, Monday through Friday at: **1-888-317-7642**

Assembly Instructions

Before assembling your Granite Island, refer to the top view of assembly position and check the layout of each part number.



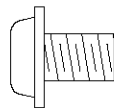
Tools required for assembly:

#2 Phillips head screwdriver

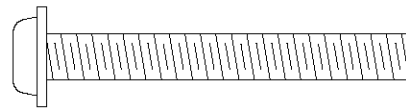
1/4" Wrench or Adjustable Wrench

Contents for Hardware Pack "A" (Part #P06016044A)

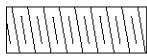
Actual Size and Quantity of Each Hardware Piece:



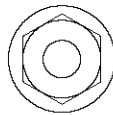
H036
Qty. 24
1/4"x3/8" S/S Phillips Head Screw



H030
Qty. 4
1/4"x2" S/S Phillips
Head Screw



H038
Qty. 20
1/4"x3/4" S/S Hexagon
Socket Head Bolt



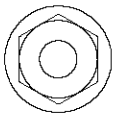
H009
Qty. 20
1/4" S/S Lock Nut

Contents for Hardware Pack "B" (Part #P06016056A)

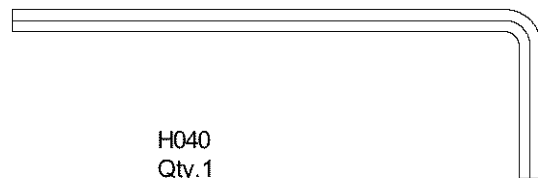
Actual Size and Quantity of Each Hardware Piece:



H038
Qty. 4
1/4"x3/4" S/S Hexagon
Socket Head Bolt



H009
Qty. 4
1/4" S/S Lock Nut



H040
Qty. 1
Customized Wrench

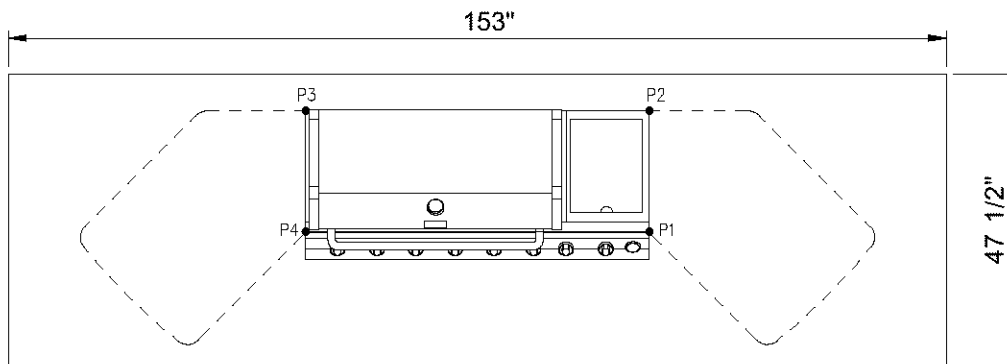
Assembly Instructions

⚠ WARNING

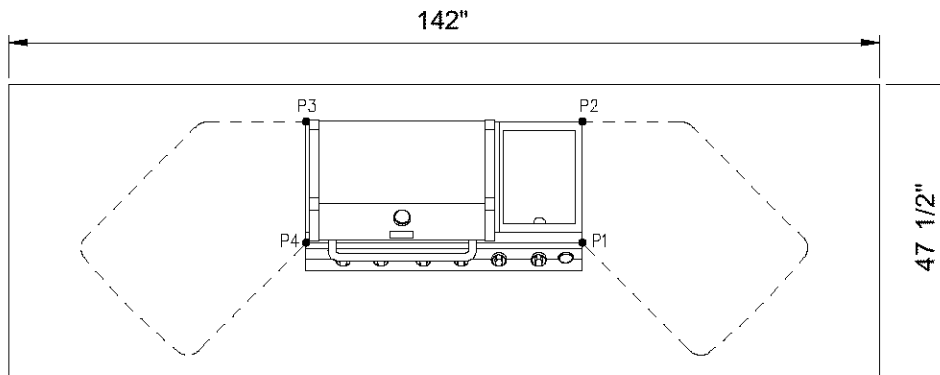
Read these instructions before assembling your granite islands. The granite pieces are very heavy. With the assistance of another person, use care when unpacking, moving and assembling the granite pieces to avoid bodily injury and breakage of the granite.

Make sure the surface is solid, flat and level. Rough or soft ground will cause levelling problems that could cause the grill to incline, door frames to distort and/or the island to partially sink after installation.

1. Please locate the following free space per diagram for installation of the models of the grill with granite island.

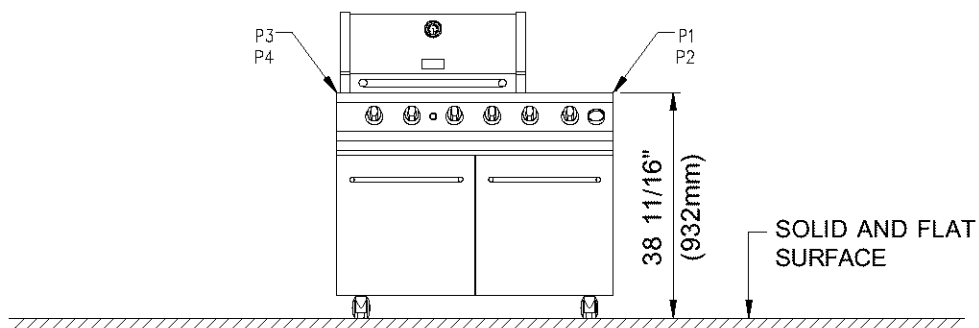


INSTALLATION AREA FOR 6B GRILL MODEL 16690 / 17690



INSTALLATION AREA FOR 4B GRILL MODEL 16680 / 17680

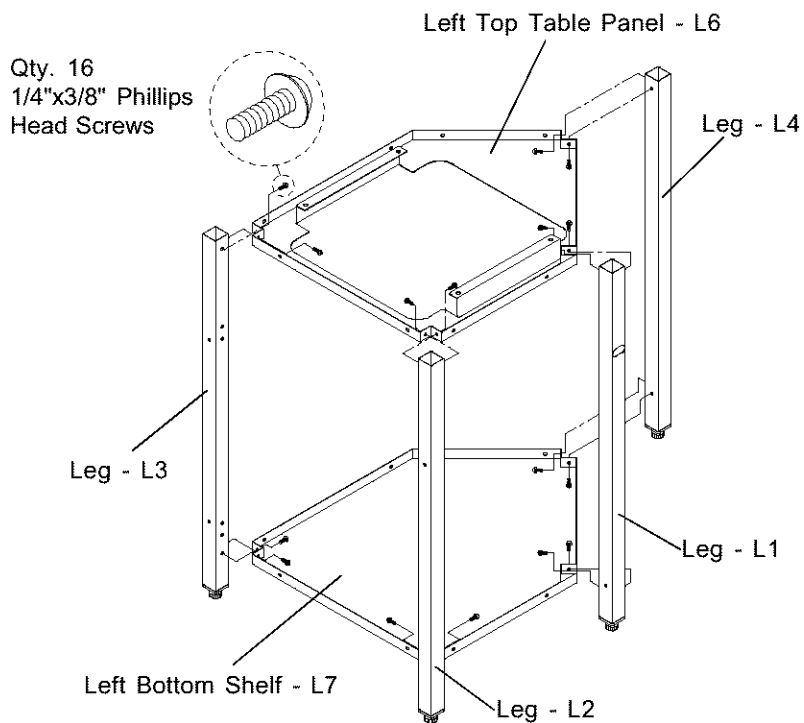
2. Use a tape measure to ensure that all four (4) points P1, P2, P3 and P4 are at the same height.



STEP 1

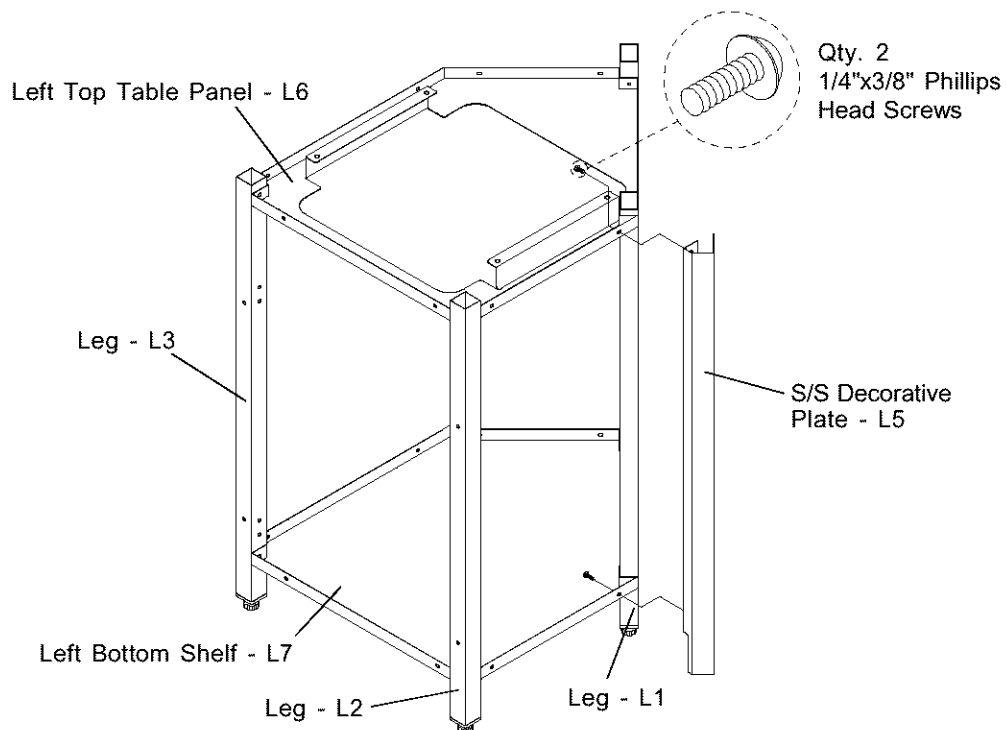
Assembling Left Granite Island Frame

Attach 4 Legs to Top Table Panel and Bottom Shelf. Tighten securely by using 16 of the 1/4"x3/8" Phillips head screws provided.



STEP 2

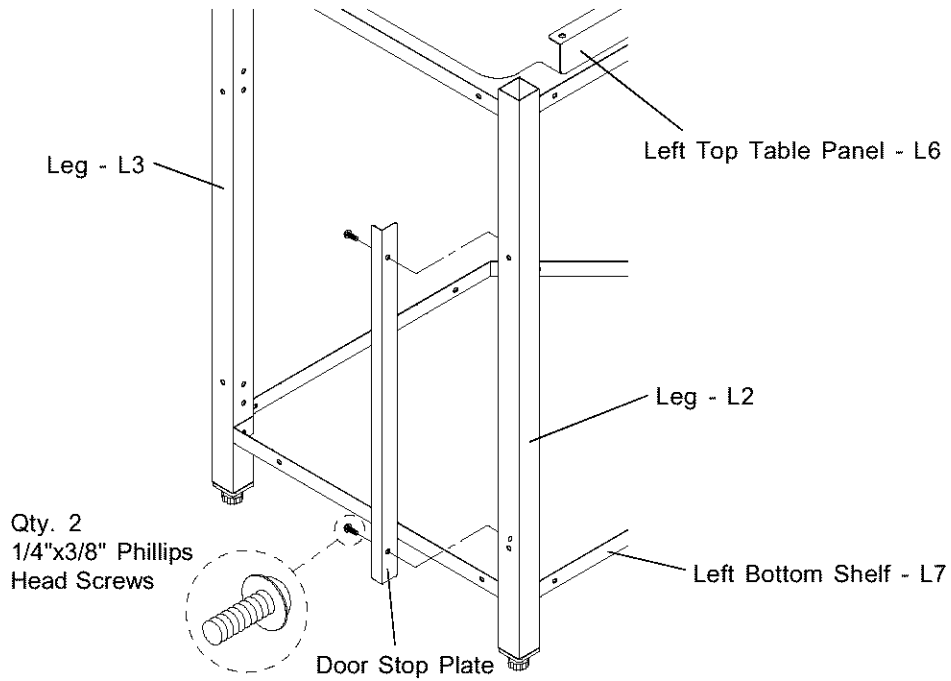
Attach S/S Decorative Plate to the Frame. Tighten securely by using 2 of 1/4"x3/8" Phillips head screws provided.



STEP 3

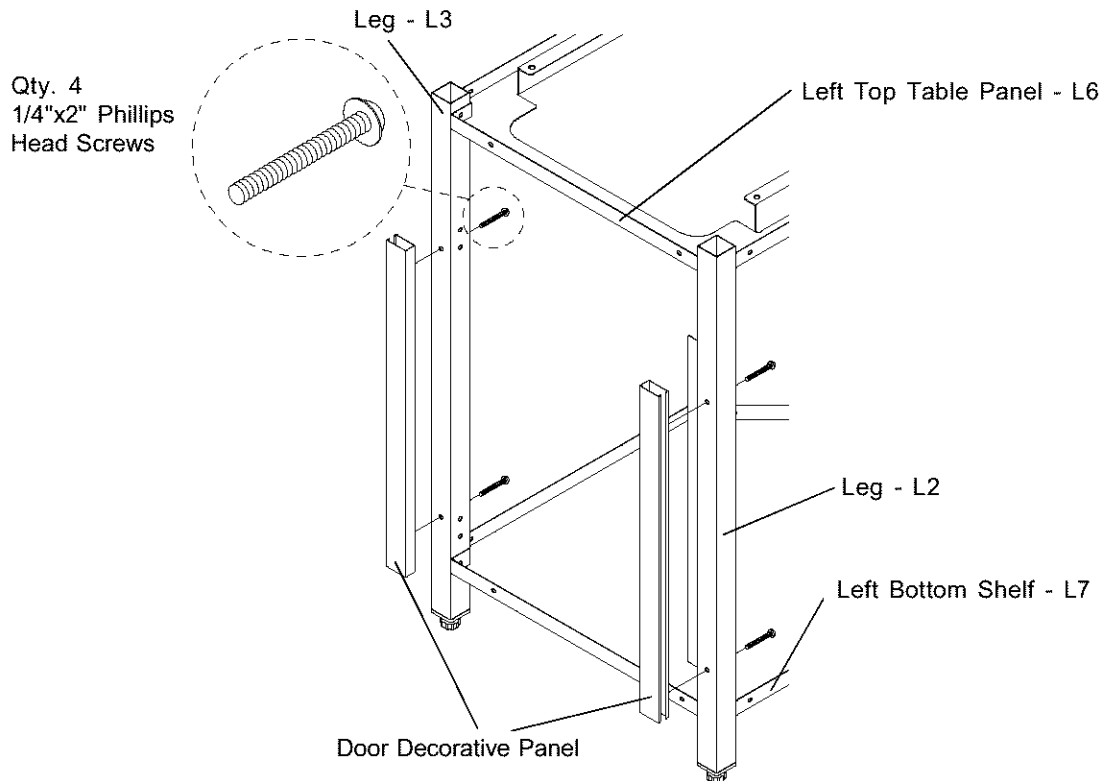
Installing Door Kit To Left Frame

Attach Door Stop Plate to the Frame. Tighten securely by using 2 of 1/4"x3/8" Phillips head screws provided.



STEP 4

Attach Door Decorative Panels to the Frame. Tighten securely by using 4 of 1/4"x2" Phillips head screws provided.



STEP 5

Install the Door Panel by the following steps

1. Attach the Bottom Door Hinge to the cart leg as shown. Then tighten securely using the two 1/4"x3/8" Phillips head screws provided. **See Fig 1.**
2. Match the bottom axle hole of the Door Panel into the stud on the Bottom Door Hinge. **See Fig 2.**
3. Attach the Top Door Hinge to the Door Panel by inserting the stud into the axle hole on the top of Door Panel. **See Fig 3.**
4. Attach the Top Door Hinge to the leg by keeping the Door Panel upright, Align the 2 holes on the Door Hinge with the 2 holes on the Leg. Tighten securely using 2 of 1/4"x3/8" Phillips head screws provided. **See Fig 3.**

Figure 1.

Qty. 2
1/4"x3/8" Phillips
Head Screws

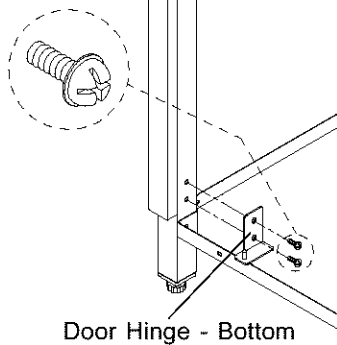


Figure 2.

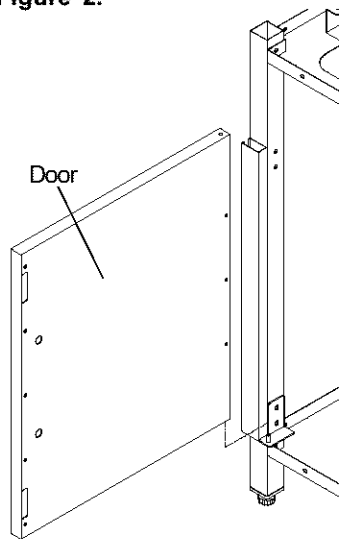
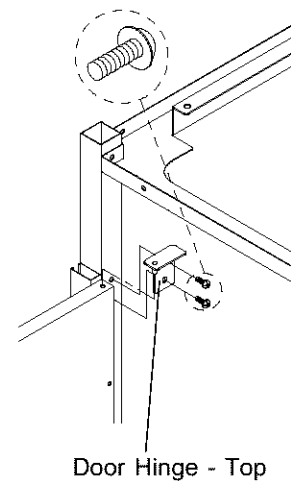


Figure 3.

Qty. 2
1/4"x3/8" Phillips
Head Screws

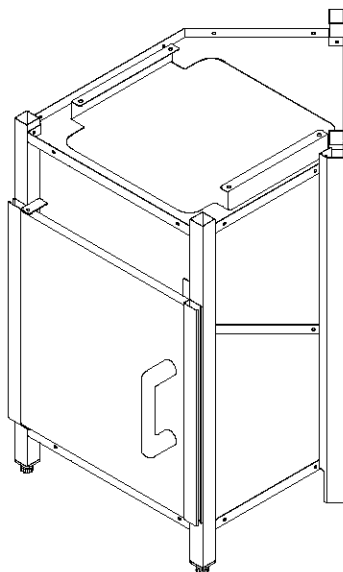


STEP 6

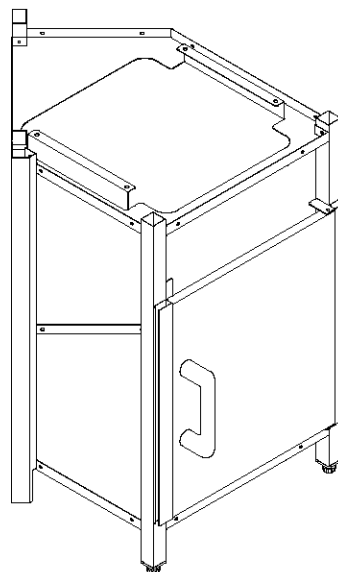
Assembling Right Granite Island Frame

Follow steps 1 through 5 of assembling procedures for Left Granite Island Frame to assemble Right Island Frame.

Left Granite Island Frame



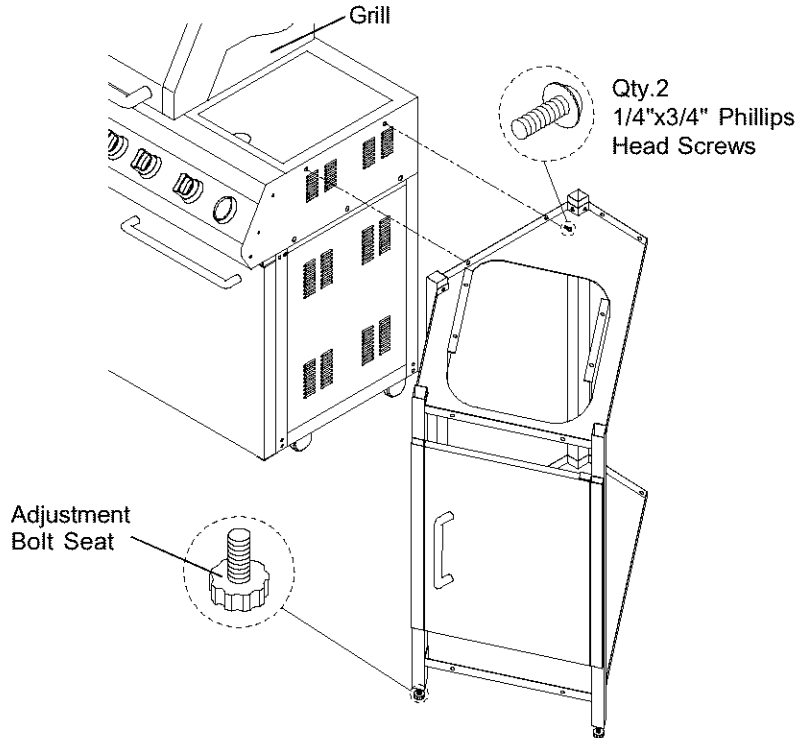
Right Granite Island Frame



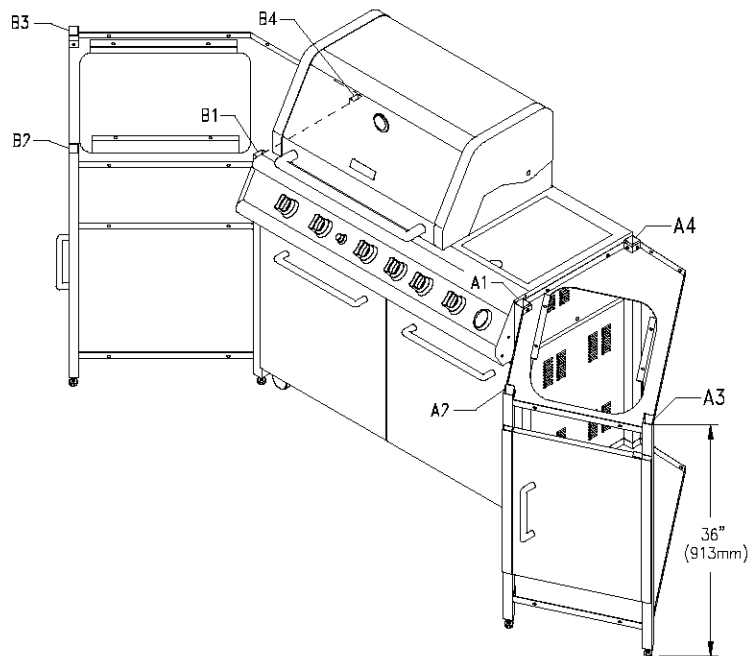
STEP 7

Connecting the Metal Frames to your grill.

1. Make sure to remove handle and side shelf from grill before attaching island frame (**Keep 4 of the 1/4"x3/4" Phillips head screws from side shelf**). Attach Frame to the side of grill. Align the holes on the Frame with the threaded holes on the Grill and insert 2 of the 1/4"x3/4" Phillips head screws (from the side shelf) and tighten securely. Repeat this operation for the other island frame. After connecting the two Granite Island Metal Frames to your grill, make sure the Island is stable and level by adjusting the Adjustment Bolt Seats on legs under the door.



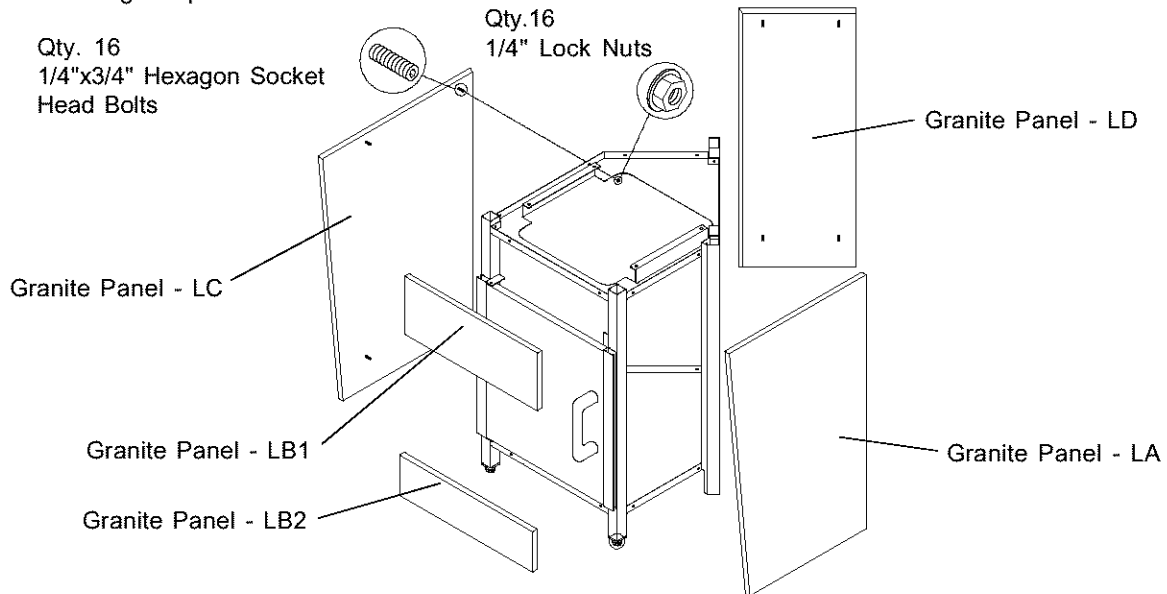
2. Use a tape measure to ensure that all four (4) points of island frame (A1 etc) are at the same height. Adjust if necessary before installing granite panels.



STEP 8

Installing Granite Panels to the Island Frame

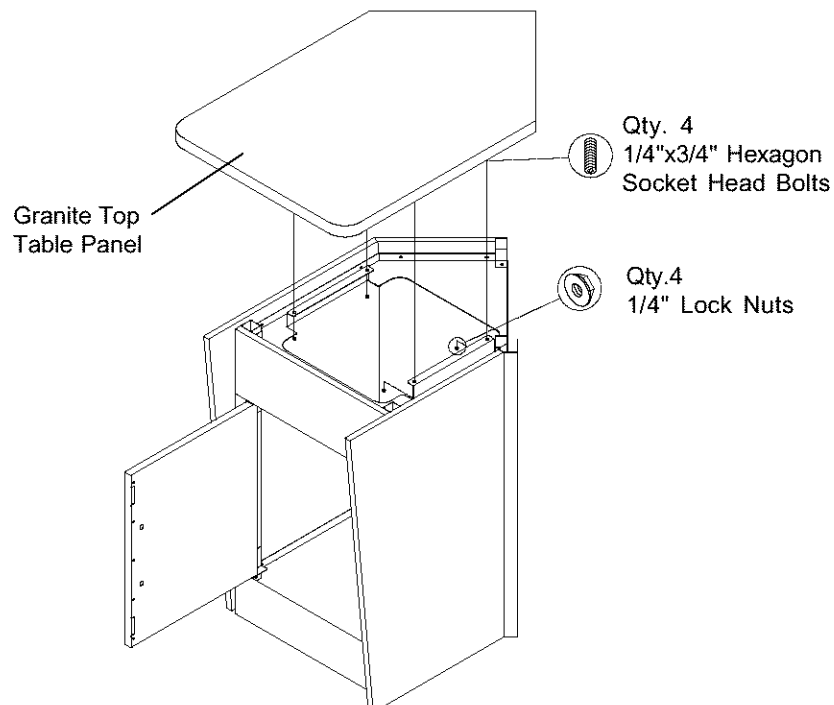
When installing Granite Panels to the Island Frame, we recommend you follow this installation order for ease of assembly: LB2, LB1, LD, LA and LC. Install 1/4"x3/4" hexagon socket head bolts into granite panels using the Customized Wrench provided. NOTE: when installing the hexagon socket head bolts, the anchor will spin if overtightened. This is not a problem as the anchor is designed to spin to prevent damage to granite panel. Mount panels to frame and tighten securely (do not overtighten) using 16 of 1/4" lock nuts provided. Check frame with level if you have problems installing the panels to the frames.



STEP 9

Installing Granite Top Table Panel to Frame

Install Granite Top Table Panels to Frame as shown. Install 1/4"x3/4" hexagon socket head bolts into granite top table panel using the Customized Wrench provided. Mount top table panel to frame and tighten securely by using 4 of 1/4" lock nuts provided.

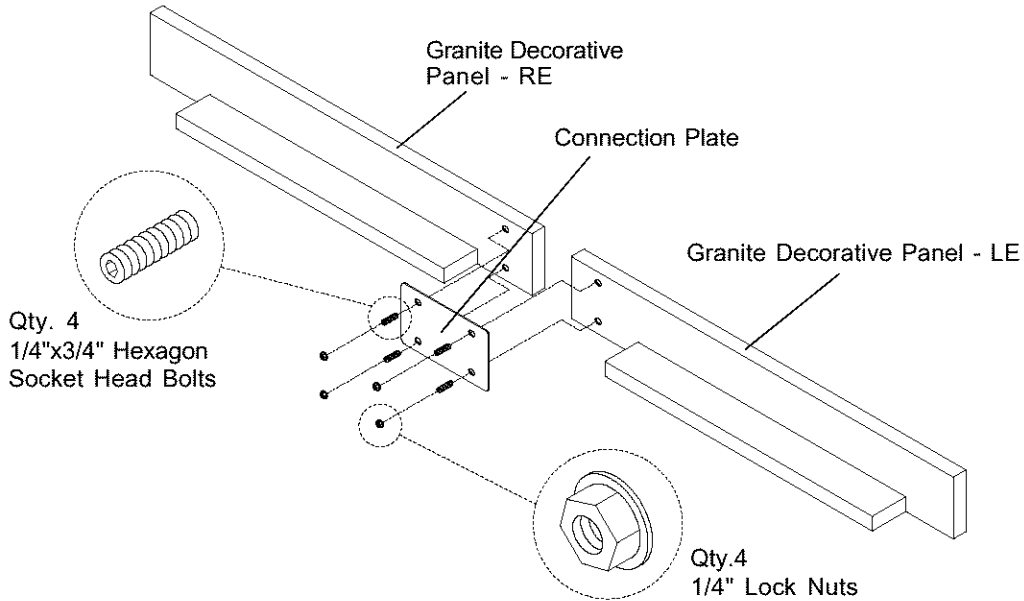


STEP 10

Repeat Steps 8 and 9 for Right Granite Island Panels.

STEP 11 Assembling Granite Decorative Panels

4 sections of Granite Decorative panels are provided for different model grills. You will only use 2 pieces. Locate the 2 pieces of the same size that fit the overall length of your grill. Assemble the 2 Granite Decorative Panels with the Connection Plate as shown below. Install 1/4"x3/4" hexagon socket head bolts into Granite Decorative panel using the Customized Wrench provided.



STEP 12

Install the Granite Decorative Panel to the underside of grill. See Fig 4 & 5.

Figure 4.

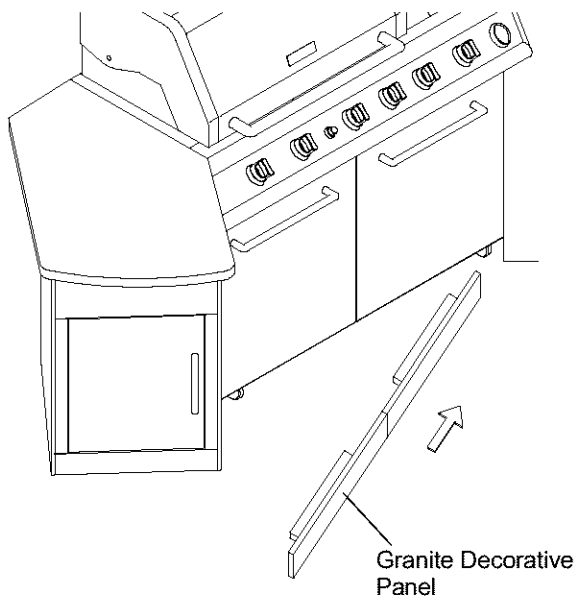
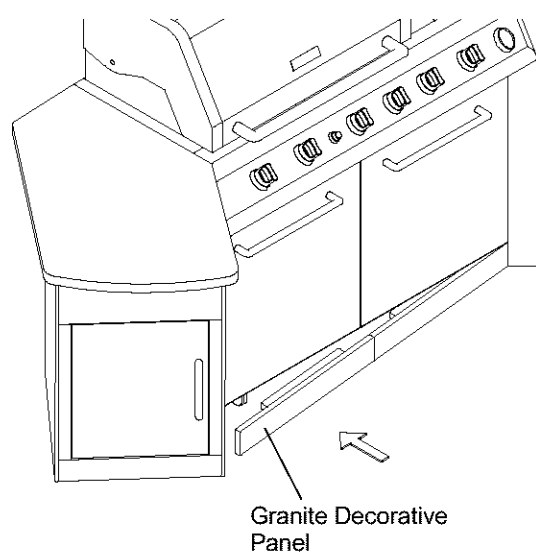
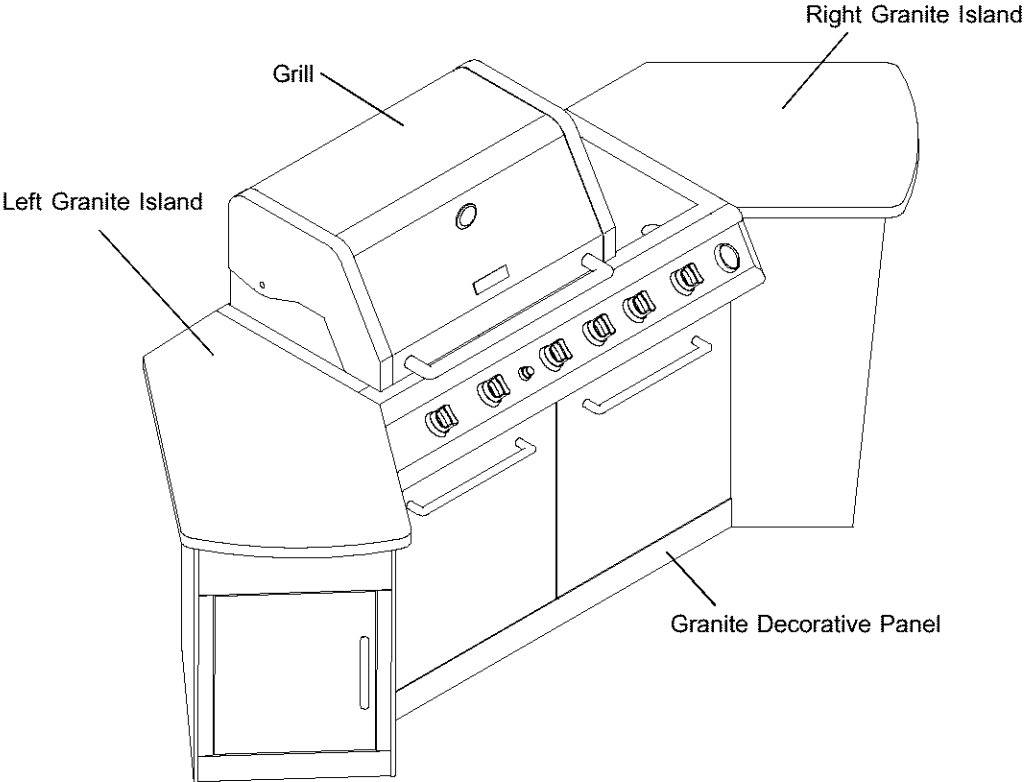


Figure 5.



CONGRATULATIONS

Congratulations your Kenmore Island is now ready for use. If you live in a cold climate, we recommend that you seal the inside seams of the granite panels with a proper caulk or sealant to prevent moisture from accumulating in the seams and possibly freezing which might cause flaking or cracking of the granite.



Notes

Notes

Notes

Get it fixed, at your home or ours!

Your Home

For repair – **in your home** – of **all** major brand appliances, lawn and garden equipment, or heating and cooling systems, **no matter who made it, no matter who sold it!**

For the replacement parts, accessories and owner's manuals that you need to do-it-yourself.

For Sears professional installation of home appliances and items like garage door openers and water heaters.

1-800-4-MY-HOME® (1-800-469-4663)

Call anytime, day or night (U.S.A. and Canada)

www.sears.com

www.sears.ca

Our Home

For repair of carry-in items like vacuums, lawn equipment, and electronics, call or go on-line for the location of your nearest **Sears Parts & Repair Center.**

1-800-488-1222

Call anytime, day or night (U.S.A. only)

www.sears.com

To purchase a protection agreement (U.S.A.) or maintenance agreement (Canada) on a product serviced by Sears:

1-800-827-6655 (U.S.A.)

1-800-361-6665 (Canada)

Para pedir servicio de reparación a domicilio, y para ordenar piezas:

1-888-SU-HOGARSM
(1-888-784-6427)

Au Canada pour service en français:

1-800-LE-FOYER^{MC}
(1-800-533-6937)
www.sears.ca

SEARS