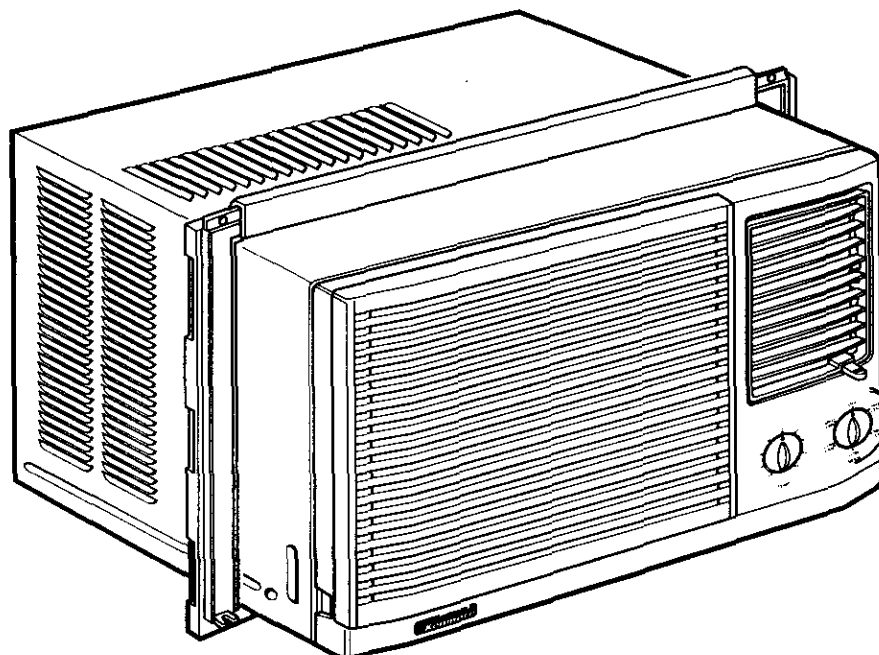


Owner's Manual



ROOM AIR CONDITIONER

Model 78122



CAUTION: Before using this Air Conditioner, read this manual and follow all its Safety Rules and Operating Instructions.

- **Safety**
- **Electrical Requirements**
- **Installation**
- **Operation**
- **Maintenance**
- **Troubleshooting**
- **Repair Parts List**
- **Español**
- **Français**

Sears, Roebuck and Co., Hoffman Estates, IL. 60179 U.S.A.

TABLE OF CONTENTS

TABLE OF CONTENTS	2	Features	10
WARRANTY	2	Using the Air Conditioner	10
SAFETY	3	Air Conditioner Features	11
Important Safety Instructions	3	MAINTENANCE	12
ELECTRICAL REQUIREMENTS	4	Air Filter Cleaning	12
INSTALLATION	5	Air Conditioner Cleaning	12
Installation Requirements	5	How to Remove the Front Grille	12
How to Install	6	TROUBLESHOOTING	13
Air Conditioner Removal	8	Before Calling for Service	13
OPERATION	9	REPAIR PARTS LIST	15
Installation	9	ESPAÑOL	26
How and Why	9	FRANÇAIS	38
Normal Sounds	9		
Capacity and Running Time	9		

WARRANTY

FULL ONE YEAR WARRANTY ON ROOM AIR CONDITIONER

For one year from the date of purchase, when this air conditioner is operated and maintained for normal room cooling according to instructions in this owner's manual, Sears will repair this air conditioner, free of charge, if defective in material or workmanship.

FULL FIVE-YEAR WARRANTY ON SEALED REFRIGERATION SYSTEM

For five years from the date of purchase, when this air conditioner is operated and maintained for normal room cooling according to instructions in this owner's manual, Sears will repair the sealed refrigeration system (consisting of refrigerant, connecting tubing, and compressor), free of charge, if defective in material or workmanship.

WARRANTY SERVICE IS AVAILABLE BY CONTACTING THE NEAREST SEARS SERVICE CENTER IN THE UNITED STATES.

Warranty coverage applies only to air conditioners used for non-commercial, private household purposes.

This warranty applies only while this product is in use in the United States.

This warranty gives you specific legal rights, and you may also have other right which vary from state to state.

**Sears, Roebuck and Co., D/817WA,
Hoffman Estates, IL. 60179 U.S.A.**

SAFETY

IMPORTANT SAFETY INSTRUCTIONS

The safety instructions below will tell you how to use your room air conditioner to avoid harm to yourself or damage to your ROOM AIR CONDITIONER.

⚠ WARNING FOR YOUR SAFETY

Do not store or use gasoline or other flammable vapors and liquids in the vicinity of this or any other appliance. Read product labels for flammability and other warnings.

⚠ WARNING PREVENT ACCIDENTS

To reduce the risk of fire, electrical shock, or injury to persons when using your air conditioner, follow basic precautions, including the following:

- Be sure the electrical service is adequate for the model you have chosen.
- If the air conditioner is to be installed in a window, you will probably want to clean both sides of the glass first. If the window is a triple-track type with a screen panel included, you may want to remove the screen completely before installation.
- Be sure the air conditioner has been securely and correctly installed according to the separate installation instructions provided with this manual. Save this manual and installation instructions for possible future use in removing or reinstalling this unit.
- When handling the air conditioner, be careful to avoid cuts from sharp metal fins on front and rear coils.

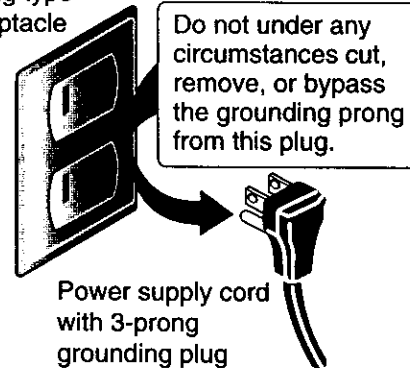
⚠ WARNING ELECTRICAL INFORMATION

The complete electrical rating of your new room air conditioner is stated on the serial plate. Refer to the rating when checking the electrical requirements.

- Be sure the air conditioner is properly grounded. To minimize shock and fire hazards, proper grounding is important. The power cord is equipped with a three-prong grounding plug for protection against shock hazards.
- Your air conditioner must be used in a properly grounded wall receptacle. If the wall receptacle you intend to use is not adequately grounded or protected by a time delay fuse or circuit breaker, have a qualified electrician install the proper receptacle.
- Do not run air conditioner with outside protective cover in place. This could result in mechanical damage within the air conditioner.
- **Do not use an extension cord or an adapter plug.**

⚠ WARNING Avoid fire hazard or electric shock. Do not use an extension cord or an adapter plug. Do not remove any prong from the power cord.

Grounding type wall receptacle



ENERGY SAVING IDEAS

- The capacity of the room air conditioner must fit the room size for efficient and satisfactory operation.
- Install the room air conditioner on the shady side of your home. A window that faces north is best because it is shaded most of the day.
- Do not block air flow inside with blinds, curtains, or furniture, or outside with shrubs, enclosures, or other buildings.
- Close the floor and wall registers and the fireplace damper so cool air does not escape up the chimney and into the duct work.
- Keep blinds and drapes in other windows closed during the sunniest part of the day.
- Clean the air filter as recommended in the MAINTENANCE section of this manual.
- Proper insulation and weather stripping in your home will help keep warm air out and cool air in.
- External house shading with trees, plants or awnings will help reduce the air conditioner's work load.
- Operate heat producing appliances such as ranges, washers, dryers, and dishwashers during the coolest part of the day.

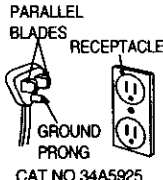

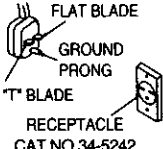

ELECTRICAL REQUIREMENTS

See the chart below for wiring and outlet information.

OBSERVE ALL LOCAL GOVERNING CODES AND ORDINANCES

Never remove the power supply cord ground prong.

For 115 volt models with nameplate amps up to and including 12.0

PLUG AND RECEPTACLE DATA	RECEPTACLE VOLTAGE (60HERTZ AC IN ALL INSTANCES)	NAMEPLATE AMPERES	USE TIME-DELAY FUSE OR CIRCUIT BREAKER RATING IN AMPS	MINIMUM RECEPTACLE WIRE SIZE	TYPE OR BRANCH CIRCUIT
	115	Up through 12.0	 15	14 GAUGE USE COPPER WIRE ONLY	SINGLE OUTLET ONLY
	115	12.1 through 16.0	 20	12 GAUGE USE COPPER WIRE ONLY	SINGLE OUTLET ONLY

For 115 volt models with nameplate amps of 12.1 through 16.0

- This unit requires a three-wire, single-phase, 60 hertz, AC only electrical supply.
- Receptacle wire must be at least as large as size shown on electrical chart.
- For your personal safety, this appliance must be grounded. This appliance has a power supply cord with a 3-prong grounding plug.

PROPER HOUSE WIRING

- Follow all of the enclosed instructions carefully for trouble-free performance and lowest operating costs.
- **USE ONLY TIME-DELAY FUSE** (or circuit breaker) for safe use and to help prevent needless blowing of fuses.
- **PROPER SIZE OF HOUSEWIRING** is needed for good voltage and to keep from overloading circuit. See data on reverse side. Avoid long lengths of housewiring that can cause the voltage to drop below the voltage shown on the nameplate.
- It is best that **NO OTHER APPLIANCE** or devices are on the same fused circuit to which this unit is connected. A blown fuse can result from wiring that is carrying more electrical current than it can safely handle.

DANGER: DO NOT USE AN EXTENSION CORD.

The power cord with the air conditioner is the best size for safe and efficient use of your air conditioner. Use of an extension cord may cause overheating, energy loss, and blown fuses or circuit breakers.

UNLESS THE PRODUCT IS GROUNDED PROPERLY, YOU ARE NOT PROTECTED AGAINST SEVERE OR LETHAL SHOCK IN THE EVENT OF A SHORT CIRCUIT OF AN ELECTRICAL PART OR THE WIRING OF THE AIR CONDITIONER.

INSTALLATION

INSTALLATION REQUIREMENTS

Your air conditioner will install into standard double hung windows with actual clear opening widths of 27 to 39 inches (686mm to 990mm) (FIG. 1).

Lower sash must open sufficiently to allow a clear vertical opening of 16 inches (406mm). Side louvers and the rear of the air conditioner must have clear air space to allow enough airflow through the condenser for heat removal. The rear of the unit must be outdoors, not inside a building or garage.

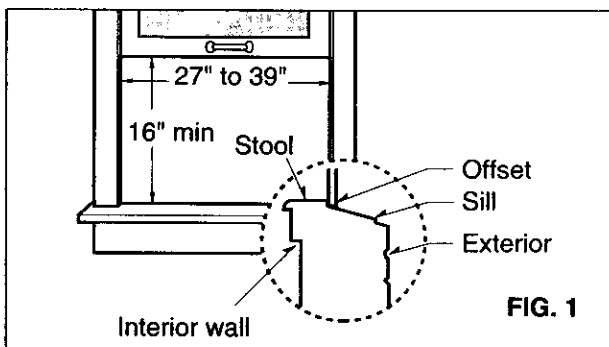


FIG. 1

ELECTRICAL SERVICE

Check your available electrical service. The power supply available must be the same as that shown on the unit nameplate (found on right side of cabinet).

All models are equipped with a 3-prong service plug to provide proper service and safe positive grounding. Do not change plug in any way. Do not use an adapter plug. If your present wall outlet does not match your plug, call a qualified electrician to make the necessary corrections.

SAVE CARTON and this OWNER'S MANUAL for future reference. The carton is the best way to store unit during winter or when not in use.

INSTALLATION HARDWARE

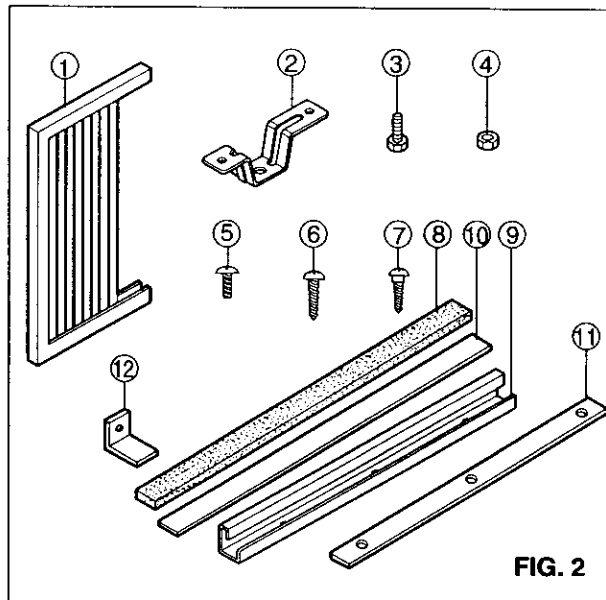


FIG. 2

NO.	NAME OF PARTS	Q'TY
1	SIDE CURTAIN	2
2	SILL SUPPORT	2
3	BOLT	2
4	NUT	2
5	SCREW (TYPE A): 25/64"	16
6	SCREW (TYPE B): 5/8"	3
7	SCREW (TYPE C): 5/8"	5
8	FOAM SEAL	1
9	UPPER GUIDE	1
10	FOAM-PE	1
11	FOAM-PE	1
12	WINDOW LOCKING BRACKET	1



CAUTION

To avoid risk of personal injury, property damage, or product damage due to the weight of this device and sharp edges that may be exposed:

- Air conditioners covered in this manual pose an excessive weight hazard. Two or more people are needed to move and install the unit. To prevent injury or strain, use proper lifting and carrying techniques when moving unit.

- Carefully inspect location where air conditioner will be installed. Be sure it will support the weight of the unit over an extended period of time.
- Handle air conditioner with care. Wear protective gloves whenever lifting or carrying the unit. AVOID the sharp metal fins of front and rear coils.
- Make sure air conditioner does not fall during installation.

REQUIRED TOOLS:

- Tight Fitting gloves
- Standard screwdriver
- Phillips screwdriver
- Pliers
- Sharp knife
- Carpenters level
- 3/8-inch open end wrench or adjustable wrench
- 1/4-inch hex socket and ratchet
- Tape measure
- Electric drill
- 1/4-inch drill bit

INSTALLATION

HOW TO INSTALL

- 1** Remove the screws which fasten the cabinet at both sides and at the back.

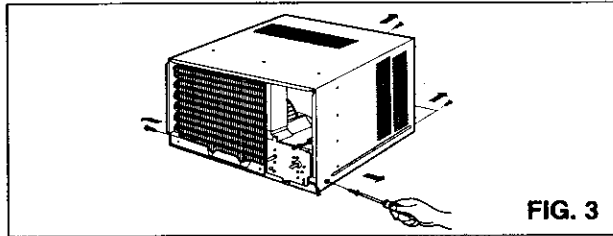


FIG. 3

- 2** Slide the unit out of the cabinet by gripping the base pan handle and pull forward while bracing the cabinet.

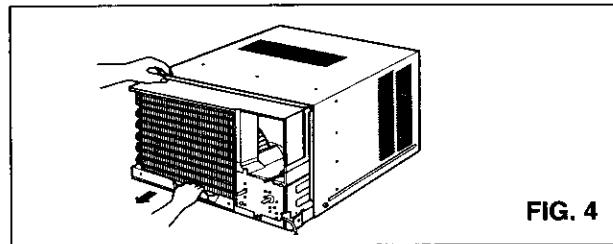


FIG. 4

- 3** Cut the FOAM-PE ⑩ to fit the underside of the window sash. Peel off the backing and attach the seal as shown in Fig. 5.

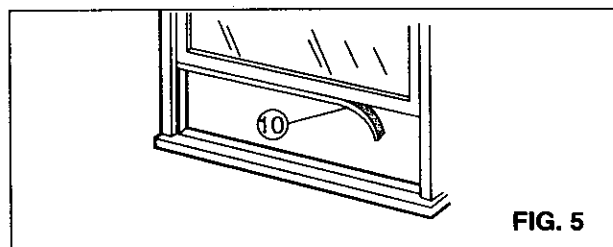


FIG. 5

- 4** Remove the backing from the FOAM-PE ⑪ and attach to the bottom of the upper guide ⑨.

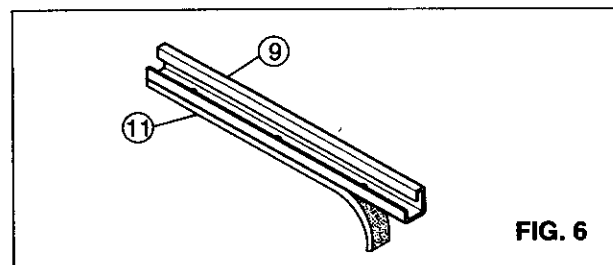


FIG. 6

- 5** Screw the upper guide ⑨ to the top of the cabinet as shown in FIG. 7 using (3) TYPE A screws ⑤. Insert the side curtain ① into the upper guide ⑨ and lower guide of the air conditioner. Fasten the curtains to the unit with (8) TYPE A screws ⑤.

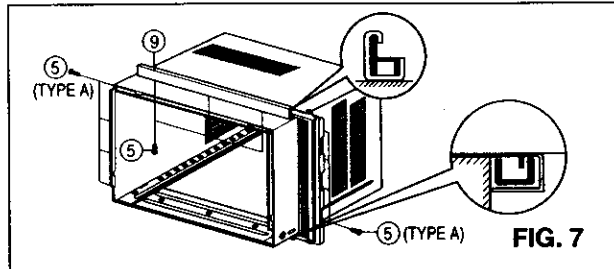


FIG. 7

- 6** Open the window. Mark a line on center of the window stool (or desired air conditioner location). Carefully place the cabinet on the window stool and align the center mark on the angle front with the center line marked in the window stool.

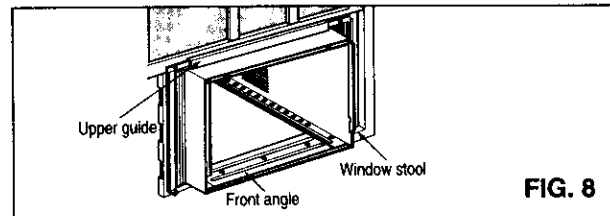


FIG. 8

- 7** Pull the bottom window sash down behind the upper guide until it meets.

NOTE: Do not pull the window sash down so tightly that the movement of side curtain is restricted.

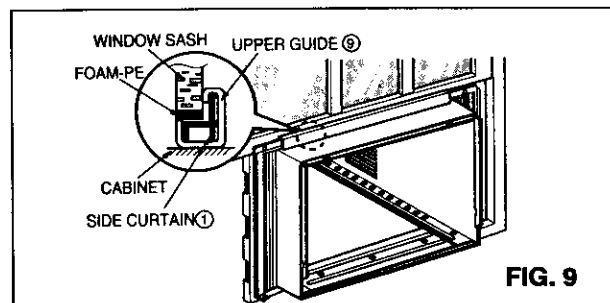


FIG. 9

- 8** Loosely assemble the sill supports using the parts in FIG. 10.

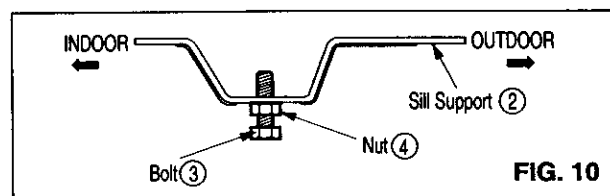
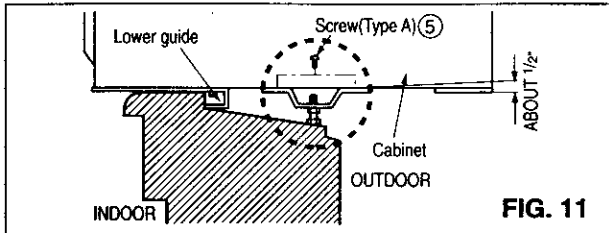


FIG. 10

INSTALLATION

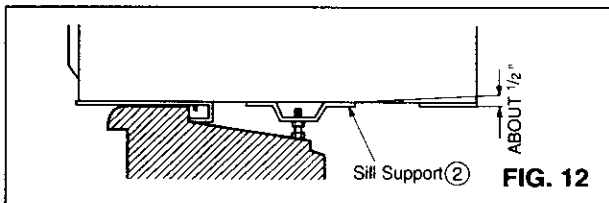
- 9** Select the position that will place the sill supports near the outermost point on sill (FIG. 11). Attach the sill supports to the cabinet track hole closest to the selected position using TYPE A screw ⑤.



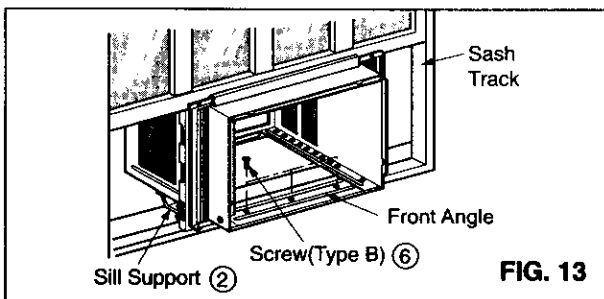
- 10** Place the sill supports with the cabinet on the window sill's selected position.

- 11** The cabinet should be installed with a very slight tilt (about 1/2" downward toward the outside (FIG. 12).

Adjust the bolts and the nuts of sill supports to level the cabinet.

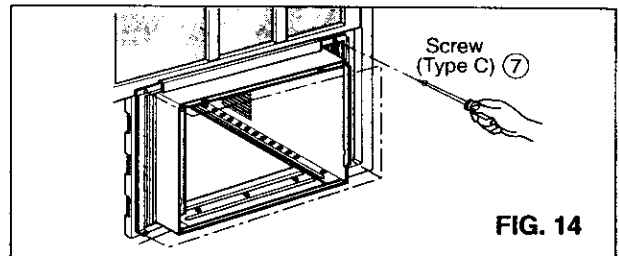


- 12** Attach the cabinet to the window stool by driving the TYPE B screws ⑥ through the front angle into window stool.

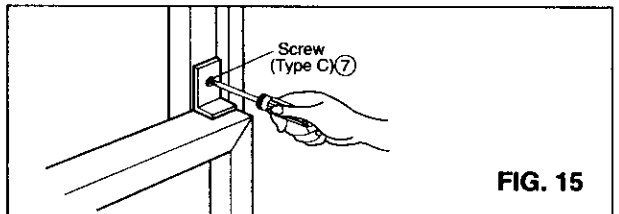


- 13** Pull the window sash down behind the upper guide. Pull each side curtain fully to each sash track.

- 14** Attach each side curtain to the window sash using TYPE C screws ⑦. (FIG. 14)

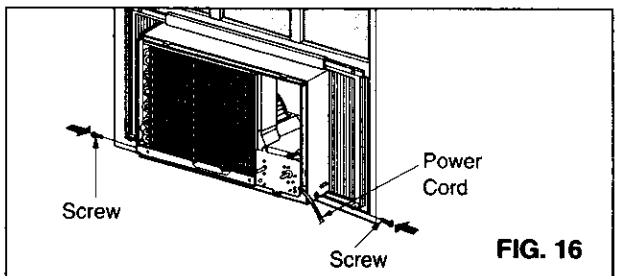


- 15** Attach the window locking bracket ⑫ with TYPE C screw ⑦. (FIG. 15)

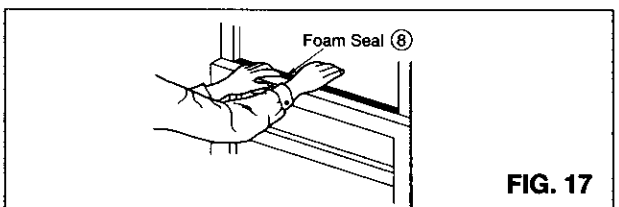


- 16** Slide the chassis into the cabinet. (FIG. 16)

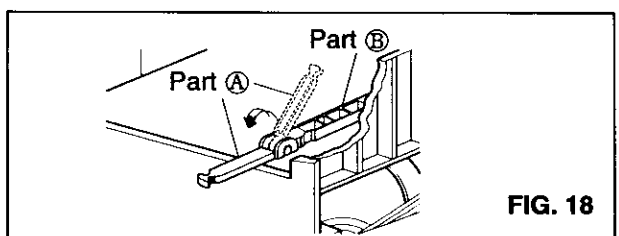
CAUTION: For security purpose, reinstall screws at cabinet's sides.



- 17** Cut the foam seal ⑧ to the proper length and insert between the upper window sash and the lower window sash. (FIG. 17)



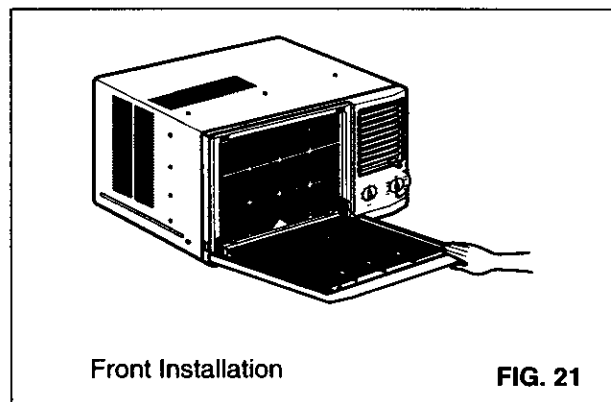
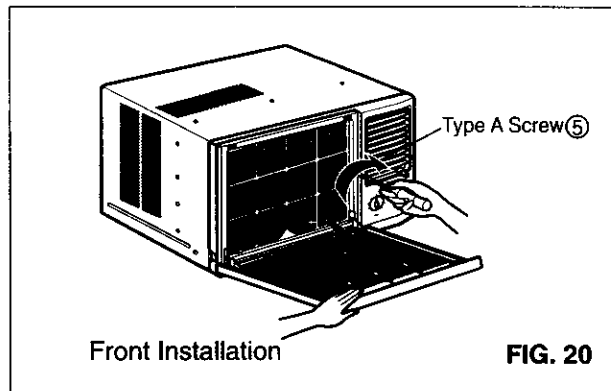
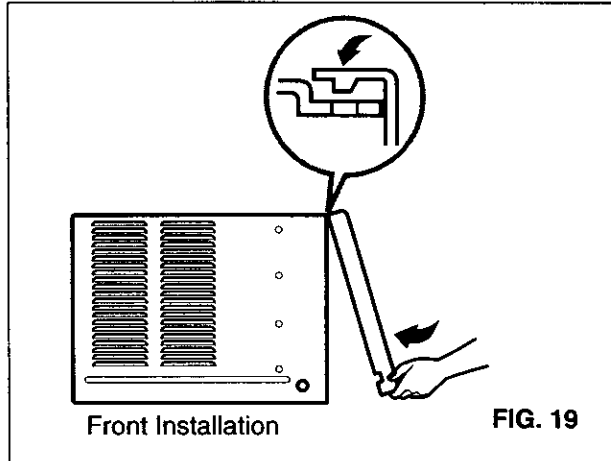
- 18** The vent control handle must be straightened before the decorative front is attached. Pull down part ④ to align with part ③.



INSTALLATION

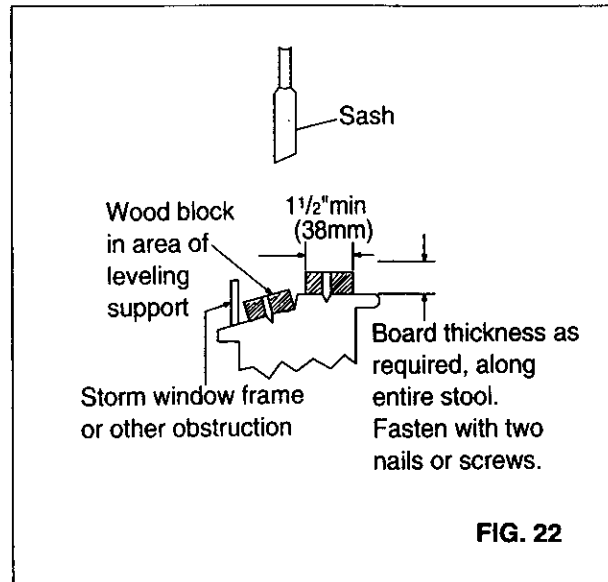
19 FRONT INSTALLATION

- Hook upper tabs of front grille into slots on the cabinet top.(FIG. 19)
- Push front grille towards the cabinet in order to snap side tabs into the cabinet.(FIG. 19)
- Open the filter door.(FIG. 20)
- Install the TYPE A screw ⑤ through the front grille.(Fig. 20)
- Close filter door.(Fig. 21)



IF AIR CONDITIONER IS BLOCKED BY STORM WINDOW FRAME

Add wood to clear frame as shown in FIG. 22, or remove storm window while air conditioner is installed.



AIR CONDITIONER REMOVAL

Turn the air conditioner off, disconnect the power cord, remove the window locking bracket and the screws installed through the top and bottom of the side curtains. Save all parts for later reinstallation. Close the side curtains. Keeping a firm grip on the air conditioner, raise the sash, and carefully tilt the air conditioner backward, draining any condensed water. Lift the air conditioner from the window. Remove the sash seal from between the windows.

⚠ CAUTION

- Air conditioners covered in this manual pose an excessive weight hazard. Two or more people are needed to move and install the unit. To prevent injury or strain, use proper lifting and carrying techniques when moving unit.
- When handling the air conditioner, be careful to avoid cuts from sharp metal fins on front and rear coils.
- Make sure air conditioner does not fall during removal.

OPERATION

INSTALLATION

Pick a location which will allow you to blow the cold air into the area you want. Windows used for installation must be strong enough to support the weight of the air conditioner. Good installation with special attention to the proper position of the unit will lessen the chance that service will be needed.

When cooling more than one room, installation is very important since cold air will not turn corners. To cool your rooms, cold air must be blown from the air conditioner in a straight path.

HOW AND WHY

Your room air conditioner provides the following functions to make hot weather living more comfortable:

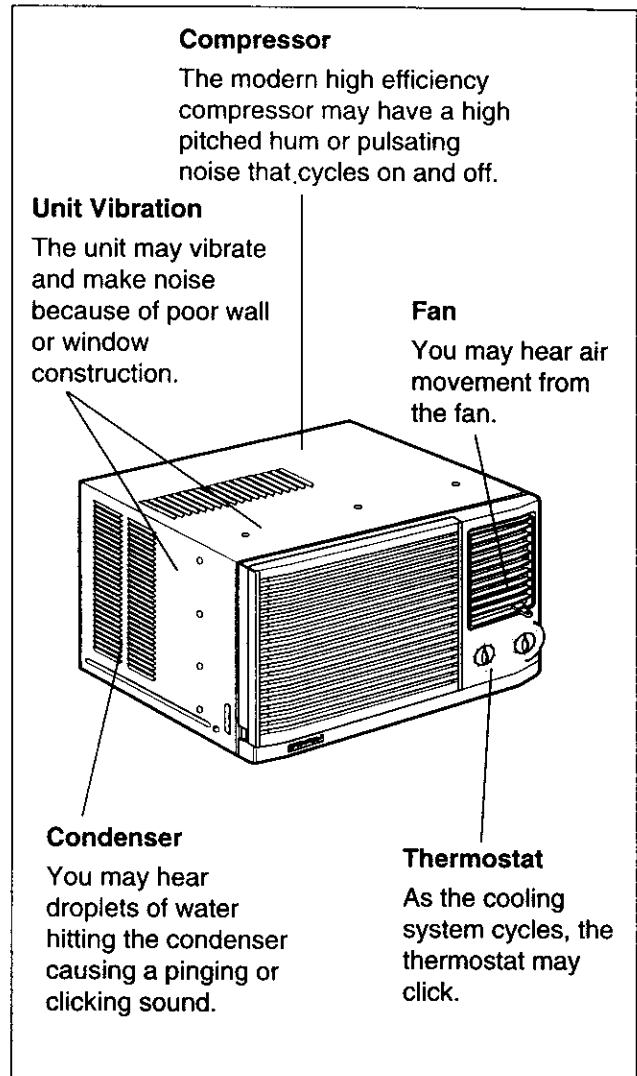
- Cools and circulates room air.
- Lowers humidity by removing excess moisture.
- Filters out summertime dust, dirt, and some airborne impurities.

The air conditioner performs these functions by drawing room air through a filter which traps dust and dirt particles. The air then passes over a cooling coil which refrigerates the air and removes excess moisture. The same air is then returned to the room— cooler, drier, and cleaner. Moisture removed from the room air is carried to the outside and evaporated.

Your air conditioner is designed to be easy to operate and to provide plenty of cooling power.

NORMAL SOUNDS

Aside from the regular fan motor and compressor sounds coming from your air conditioner, you will once in a while hear a pinging sound. This is the result of moisture being picked up from the air in the room and thrown against the air conditioner's fan. This is normal and should not be cause for concern. Also, do not be alarmed if you hear a slight hissing or gurgling sound coming from your air conditioner after it is off. These are normal coolant noises.



CAPACITY AND RUNNING TIME

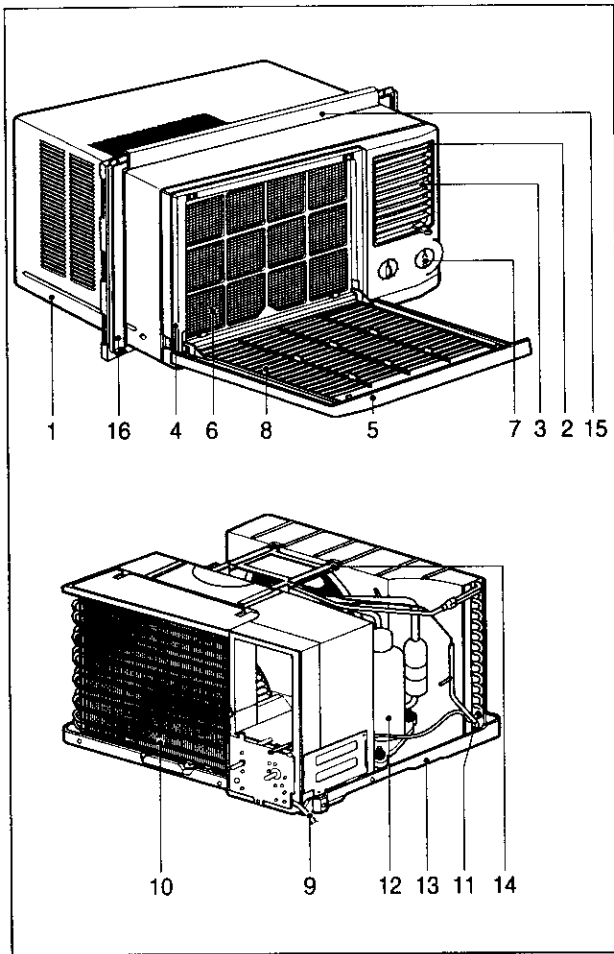
Proper unit size is important in deciding the desired comfort for the area you want to cool. An undersized unit will not have the capability to cool, leaving the area uncomfortably warm. The proper size is determined by the number of square feet in the area to be cooled, indoor and outdoor temperature and humidity. An oversized unit will cool, but not dehumidify, leaving the area cool and damp.

Whenever the heat or humidity load is above normal the air conditioner must run longer and more often to keep the desired temperature you have selected. Under heavy heat load conditions the air conditioner may need to run constantly to keep the temperature you want.

At times using the MED FAN setting to circulate the room air may make it comfortable even though the air is not being cooled. This will decrease your cost of use.

OPERATION

FEATURES



1. Cabinet
2. Vertical Air Deflector
(Horizontal Louver)
3. Cool Air Discharge
4. Front Grille
5. Inlet Grille
6. Air Filter
7. Knob
8. Air Intake
9. Power Cord
10. Evaporator
11. Condenser
12. Compressor
13. Base pan
14. Brace
15. Upper Guide
16. Curtain

USING THE AIR CONDITIONER

! WARNING To reduce the risk of fire, electric shock, or injury to persons, read the important SAFETY instructions section before operating this appliance

To begin operating the air conditioner after installation, follow these steps:

1. Plug in the air conditioner. (To prevent electrical hazards, do not use an extension cord or an adapter plug.)
2. Set the exhaust vent to the CLOSE position.
3. Set the TEMP Control to the coolest setting.
4. Set the MODE control at the highest COOL level.
5. Adjust the louver for comfortable air flow.
6. Once the room has cooled, adjust the TEMP Control to the setting you find most comfortable.

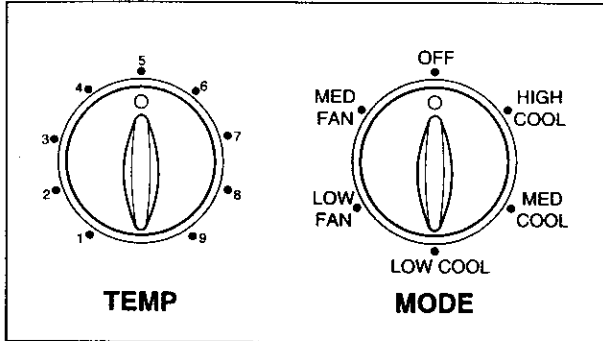
NOTE : If the air conditioner is turned off, wait 3 minutes before restarting. This allows pressure inside the compressor to equalize. Failure to wait 3 minutes before restarting may cause inefficient operation.

Review the AIR CONDITIONER FEATURES section for other settings. (See page 11)

OPERATION

AIR CONDITIONER FEATURES

The controls featured in this manual are representative of the many models available. Your model may look slightly different.



TEMP

The thermostat will automatically control the temperature of the room. Select a higher number for lower room temperature. The temperature is selected by turning the TEMP knob to the desired position.

The 5 or 6 position is a normal setting for average conditions.

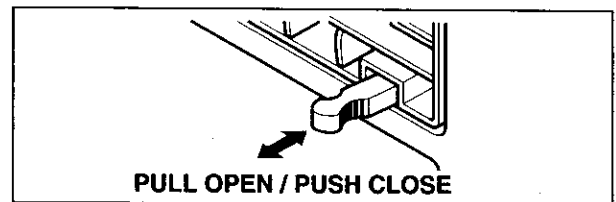
MODE

- OFF : Turns the air conditioner off.
- MED FAN : Permits the medium fan speed operation without cooling.
- LOW FAN : Permits the low fan speed operation without cooling.
- HIGH COOL : Permits cooling with the high fan speed operation.
- MED COOL : Permits cooling with the medium fan speed operation.
- LOW COOL : Permits cooling with the low fan speed operation.

VENT CONTROL

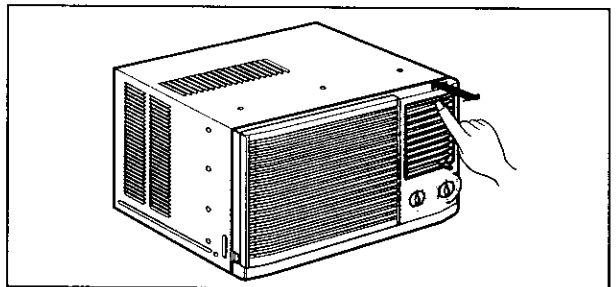
The Vent Control allows the air conditioner to either recirculate inside air (CLOSE) or exhaust air to the outside (OPEN).

- The CLOSE position is used when maximum cooling is desired. It may also be used for air recirculation without cooling when the air conditioner is set in the FAN position.
- The OPEN position removes stale air from the room and exhausts it to the outside. Fresh air is drawn into the room through normal air passages found in homes.
- The OPEN or CLOSE position can be used with any fan selection.



VERTICAL AIR DIRECTION CONTROL

The vertical air direction is adjusted by moving the louver upward or downward.

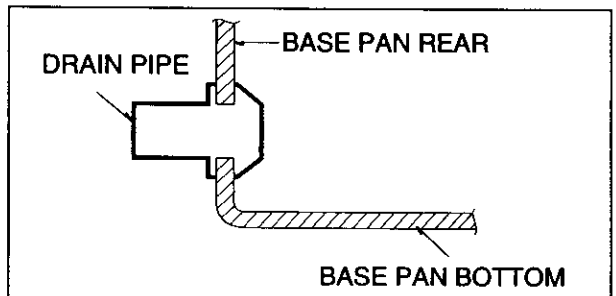


DRAINAGE

First, be sure to insert the drain pipe into base pan before installation.

The air conditioner must be installed with a slight tilt to the outside for proper water drainage.

The air conditioner will drain the excess condensed water through the drain pipe.

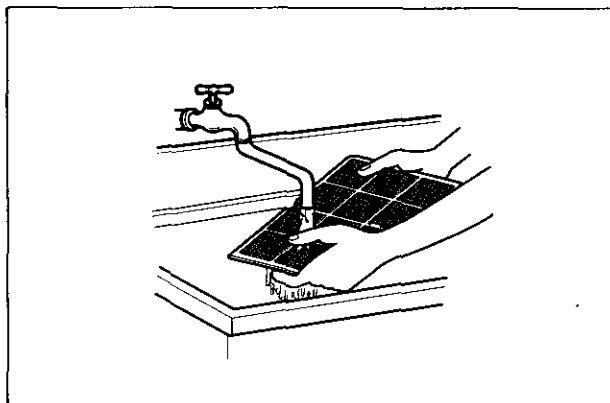
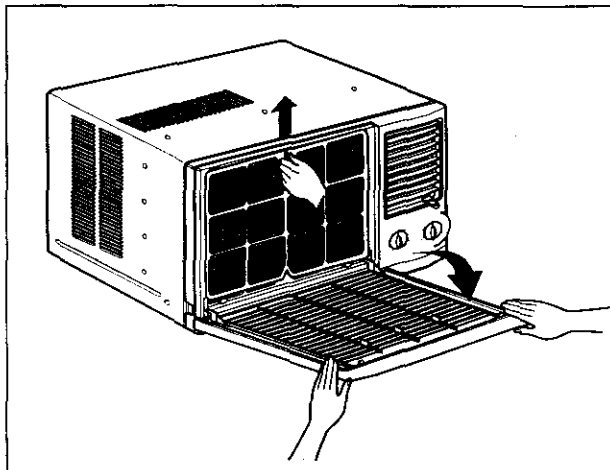


MAINTENANCE

AIR FILTER CLEANING

The Air Filter will become dirty as it removes dust from the inside air. It should be washed at least every 2 weeks. If the Air Filter remains full of dust, the air flow will decrease and the cooling capacity will be reduced, possibly damaging the unit.

- Open the inlet grille downward by pulling out the top of the inlet grille.
- Remove the air filter from the front grille assembly by pulling the air filter up slightly.
- Wash the filter using lukewarm water.
- Gently shake the excess water from the filter completely. Replace the filter.

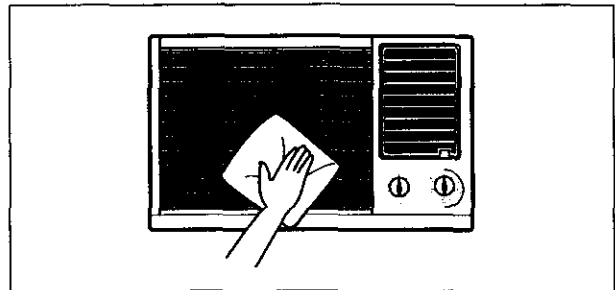


AIR CONDITIONER CLEANING

Clean the front grille and inlet grille by wiping with a cloth dampened in a mild detergent solution.

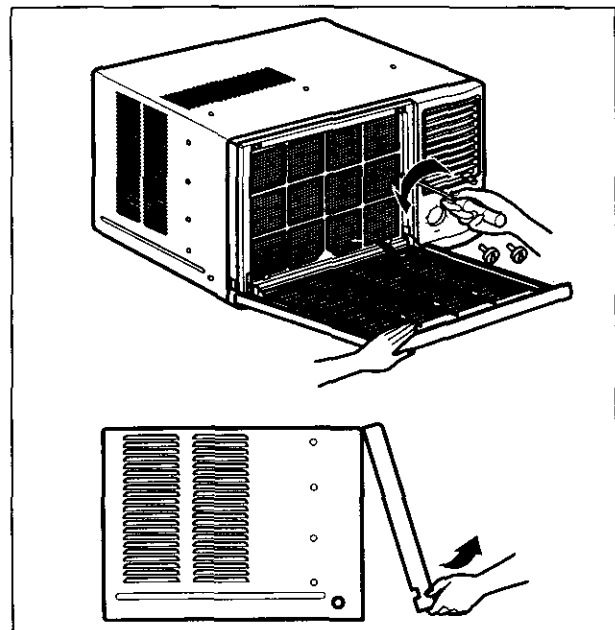
The cabinet may be washed with mild soap or detergent and lukewarm water, then polished with liquid appliance wax.

To ensure continued peak efficiency, the condenser coils (weather side at unit) should be checked periodically and cleaned if they become clogged with soot or dirt from the atmosphere. Brush or vacuum exterior coils to remove debris from fins.



HOW TO REMOVE THE FRONT GRILLE

- Remove the TEMP knob and the MODE knob by pulling.
- Open the inlet grille downward.
- Remove the screw securing the Front Grille.
- Push the grille up from the bottom and pull the top of the grille away from the case to lift the top tabs out of their slots.



TROUBLESHOOTING

BEFORE CALLING FOR SERVICE

Check the following list to be sure a service call is really necessary. A quick reference to this manual may help you avoid an unneeded service call.

THE AIR CONDITIONER WILL NOT OPERATE

Check if...	Then...
Wall plug disconnected.	Push plug firmly into wall outlet.
House fuse blown or circuit breaker tripped.	Replace fuse with time delay type or reset circuit breaker.
MODE selector is OFF position.	Turn MODE selector to the desired COOL setting.
Unit was turned off by moving TEMP Control to a warmer and then immediately turning back to a colder setting.	Wait approximately 3 minutes. Listen for compressor to start.
Unit was turned off and then on too quickly.	Turn unit off and wait 3 minutes before restarting.
TEMP Control set warmer than room temperature.	Turn TEMP Control clockwise to a colder setting (higher number).

AIR FROM UNIT DOES NOT FEEL COLD ENOUGH.

Check if...	Then...
MODE selector in a LOW COOL position.	Turn selector to a higher COOL position
TEMP Control set too warm (lower number).	Turn TEMP Control clockwise to a colder setting.
Room temperature below 70°F (21°C).	Cooling may not occur until room temperature rises above 70°F (21°C).
Temperature sensing tube touching cold coil, located behind air filter.	Straighten tube away from coil.

THE AIR CONDITIONER COOLING, BUT ROOM IS TOO WARM – ICE FORMING ON COOLING COIL BEHIND DECORATIVE FRONT.

Check if...	Then...
Outdoor temperature below 70°F (21°C).	To defrost the coil, set selector to FAN position. Then, turn TEMP Control clockwise to a warmer setting.
Air filter may be dirty.	Clean filter. Refer to Maintenance section of owner's manual. To defrost, set selector to FAN.
TEMP Control set too cold for night-time cooling.	To defrost the coil, set selector to a FAN position. Then, set TEMP Control to a warmer position.

THE AIR CONDITIONER COOLING, BUT ROOM IS TOO WARM – NO ICE FORMING ON COOLING COIL BEHIND DECORATIVE FRONT.

Check if...	Then...
Dirty air filter – air restricted.	Clean air filter. Refer to Maintenance section of owner's manual.
TEMP Control set too warm.	Turn TEMP Control clockwise to a colder setting.
Front of unit is blocked by drapes, blinds, furniture, etc. Air distribution is restricted.	Clear blockage in front of unit.
Doors, windows, registers, etc. open. Cold air escapes.	Close doors, windows, registers, etc.
Unit recently turned on in hot room.	Allow additional time to remove stored heat from walls, ceiling, floor, and furniture.

THE AIR CONDITIONER TURNS ON AND OFF RAPIDLY.

Check if...	Then...
Outside temperature is extremely hot.	Set MODE on HIGH speed to bring air past cooling coils more frequently.

NOISE WHEN UNIT IS COOLING.

Check if...	Then...
Air movement sound is too loud.	Turn selector to LOW setting.
Sound of fan hitting water – moisture removal system.	This is normal when humidity is high. Close doors, windows, and registers.
Window vibration – poor installation.	Refer to installation instructions or check with installer.

WATER DRIPPING INSIDE WHEN UNIT IS COOLING.

Check if...	Then...
The air conditioner is improperly installed.	Tilt air conditioner slightly to the outside to allow water drainage. Refer to installation instructions. Check with installer.

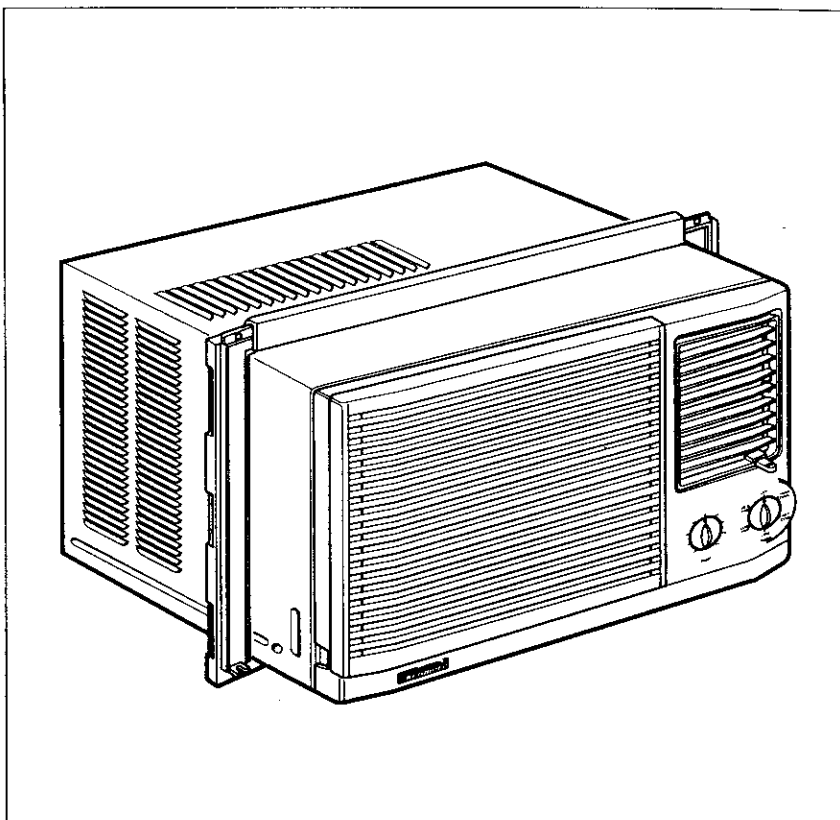
WATER DRIPPING OUTSIDE WHEN UNIT IS COOLING.

Check if...	Then...
The unit is removing large quantity of moisture from humid room.	This is normal during excessively humid days.

MEMO

SEARS

REPAIR
PARTS
LIST
580.78122890



ROOM AIR CONDITIONER

**To Call Toll Free
For Parts:
1-800-366-PART
(1-800-366-7278)**

In all orders or correspondence always give the complete model number shown on the side of the cabinet.

All repair parts listed are available for immediate purchase or special order when you visit your nearest Sears Service Center, or the Service Department at most Sears stores. To order parts by phone, call the toll free parts number listed to the left and on the back cover of this manual.

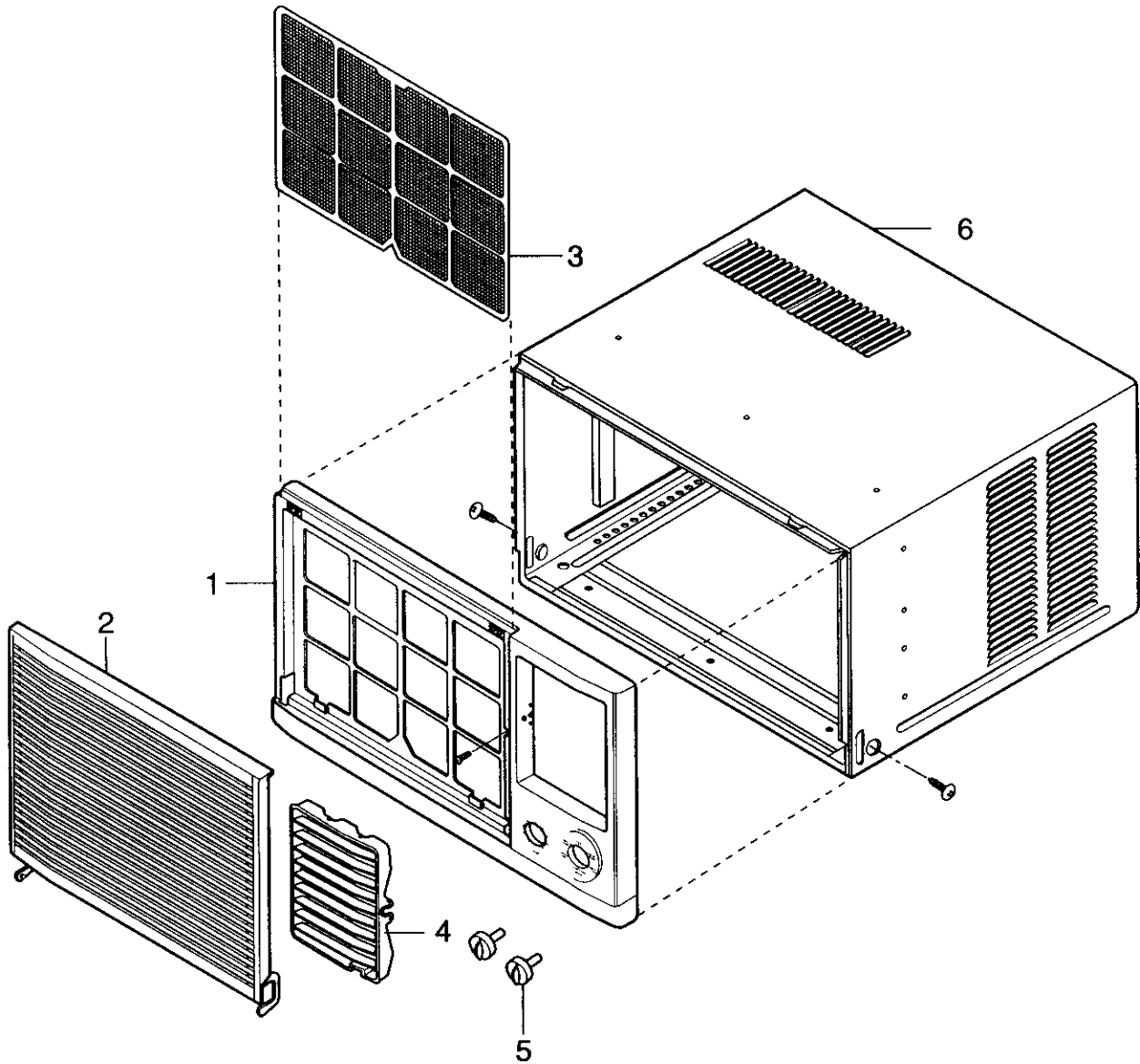
When requesting service or ordering parts, always provide the following information:

- **Product Type**
- **Part Number**
- **Model Number**
- **Part Description**

Sears, Roebuck and Co., Hoffman Estates, IL 60179 U.S.A.

CAUTION: Use the Kenmore part number on all orders, not the illustration number.

CABINET & FRONT GRILLE ASS'Y



CAUTION: Use the Kenmore part number on all orders, not the illustration number.

CABINET & FRONT GRILLE ASS'Y

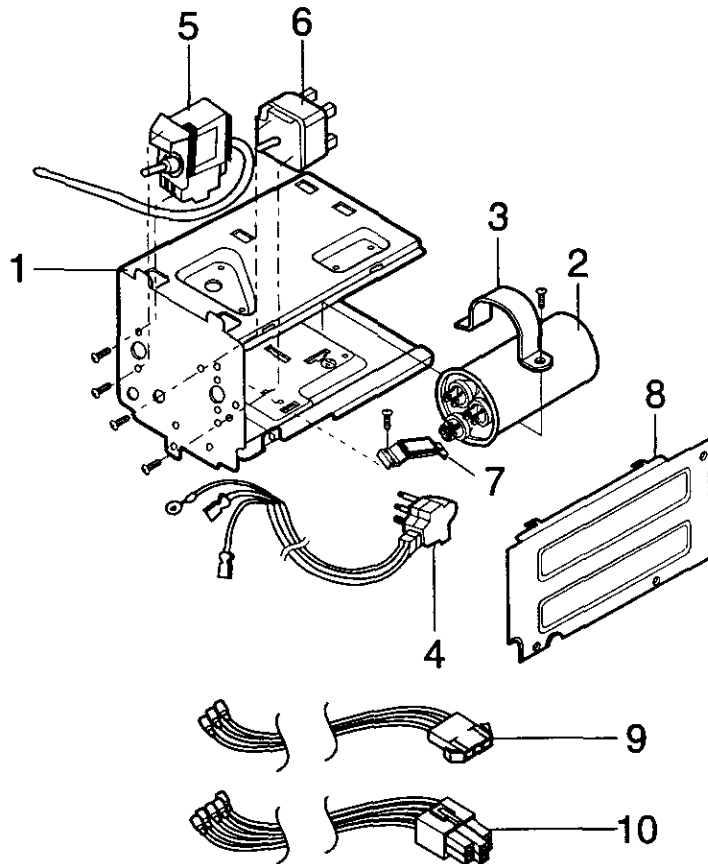
POS. NO	PART NO	DESCRIPTION
1	3530AR1534A	FRONT GRILLE
2	3530AR1535A	INLET GRILLE
3	5231AR1152A	AIR FILTER ASS'Y
4	5990AR2974A	VANE
5	4941AR7134B	KNOB ASS'Y
6	3091AR2286M	CABINET ASS'Y
*	3828AR7102C	MANUAL OWNER'S

= Functional Parts

* = Non-illustrated Parts

CAUTION: Use the Kenmore part number on all orders, not the illustration number.

CONTROL BOX ASS'Y



CAUTION: Use the Kenmore part number on all orders, not the illustration number.

CONTROL BOX ASS'Y

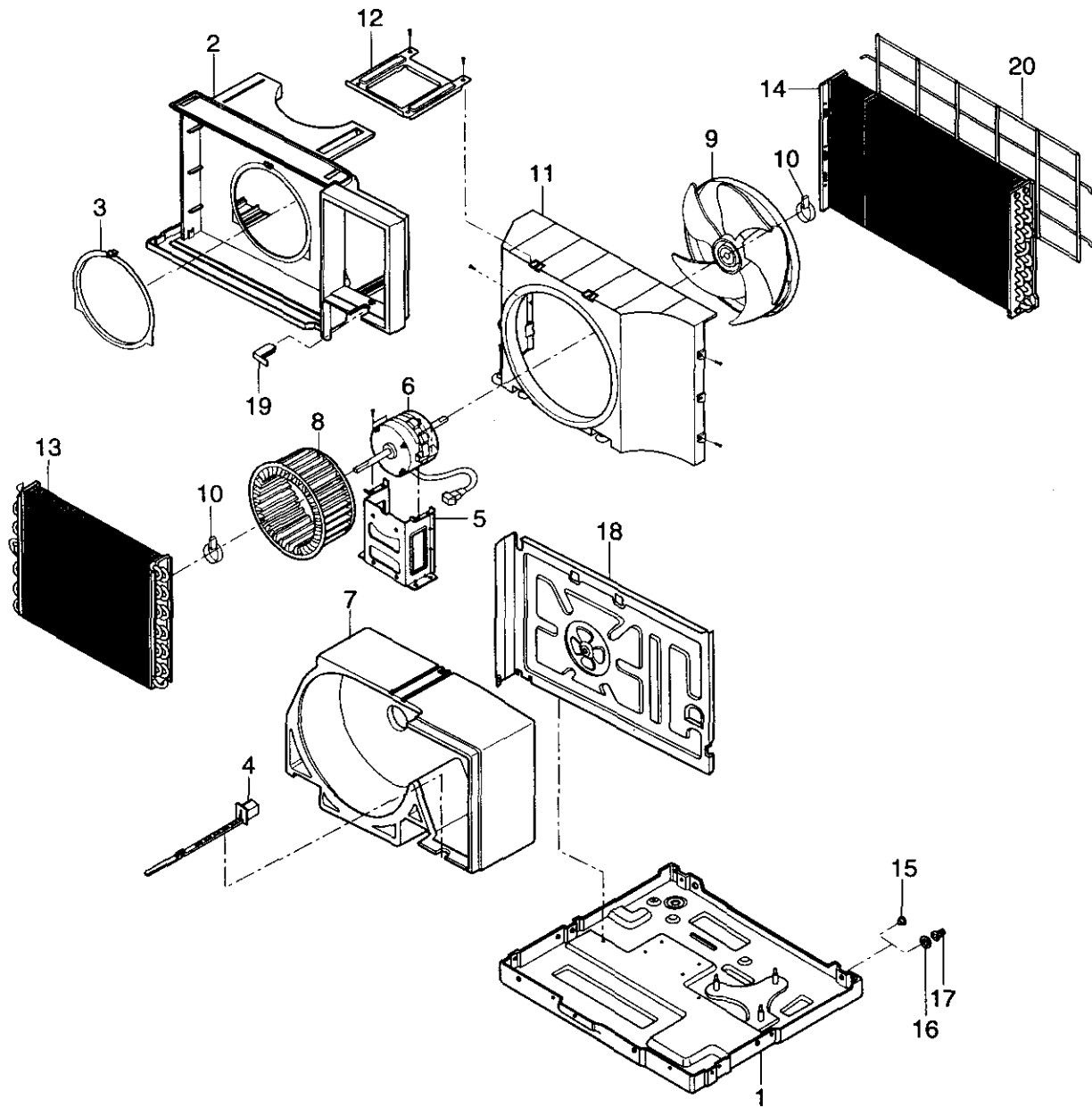
POS. NO	PART NO	DESCRIPTION
1	4994AR1494D	CONTROL BOX
2 #	6120AR2194K	CAPACITOR
3	4H00442F	CAPACITOR CLAMP
4 #	2H00677S	POWER CORD ASS'Y
5 #	2H01109H	THERMOSTAT
6 #	2H00598E	ROTARY SWITCH
7	4H01762A	HOLDER PC
8	3550AR7032A	COVER, CONTROL BOX
9	6631AR2667E	CONNECTOR ASS'Y
10	6631AR2687A	CONNECTOR ASS'Y

= Functional Parts

* = Non-illustrated Parts

CAUTION: Use the Kenmore part number on all orders, **not** the illustration number.

AIR HANDLING & CYCLE PARTS



CAUTION: Use the Kenmore part number on all orders, not the illustration number.

AIR HANDLING & CYCLE PARTS

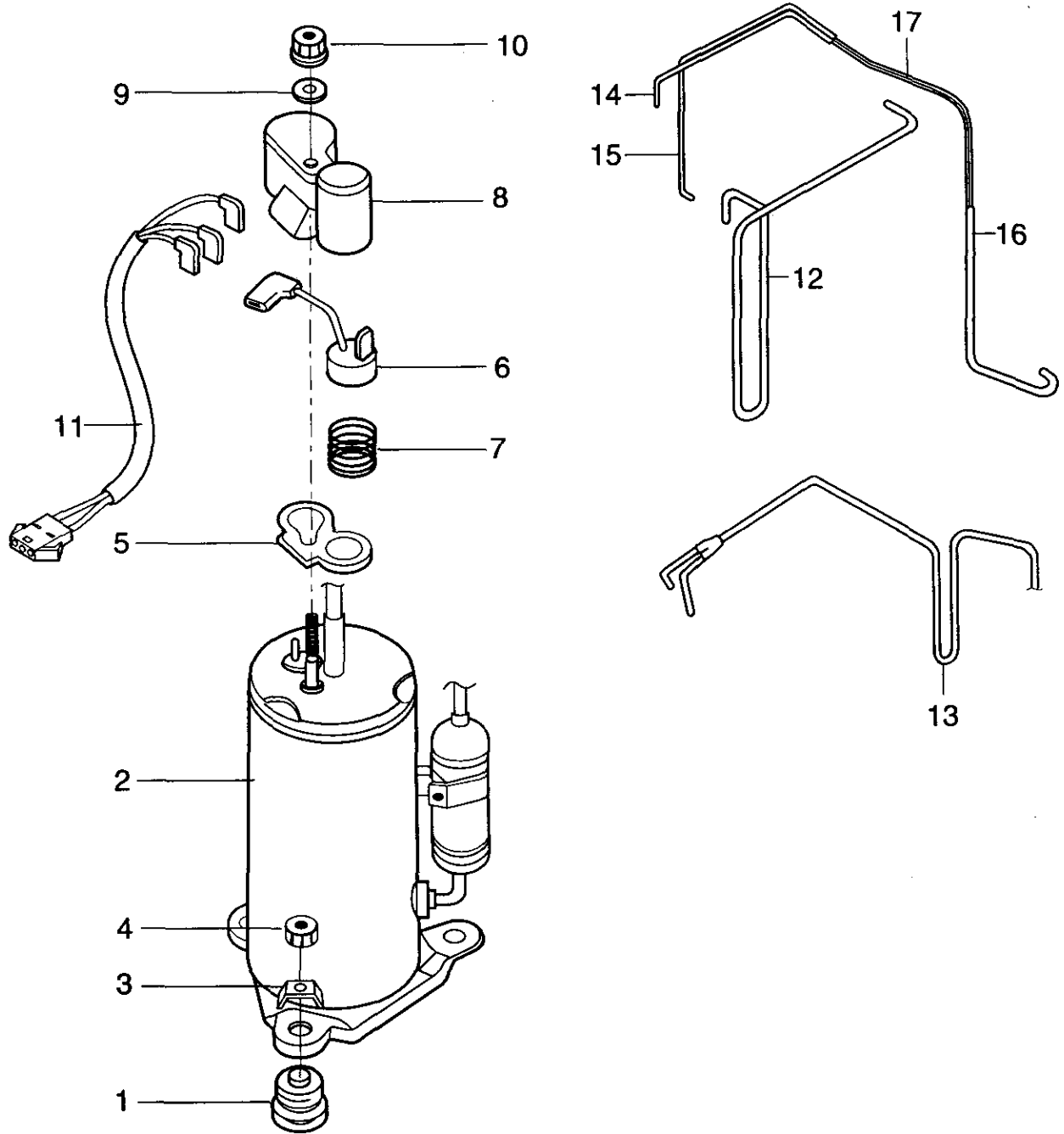
POS. NO	PART NO	DESCRIPTION
1	3041AR1524F	BASE PAN WELD ASS'Y
2	5238AR1499A	AIR GUIDE
3	4948AR7034A	ORIFICE
4	4900AR7024A	VENTILATION DAMPER
5	4960AR2885A	MOTOR MOUNT
6 #	4681AR1527A	MOTOR ASS'Y
7	3072AR1498A	SCROLL
8 #	5834AR1495A	BLOWER
9 #	5900AR1173A	FAN
10	3H02932B	CLAMP SPRING
11	4998AR1496A	SHROUD
12	4810AR7029A	BRACE
13 #	5421AR2994A	EVAPORATOR ASS'Y
14 #	5403AR2921A	CONDENSER ASS'Y
15	4H02023A	HOLE RUBBER
16	4H01029D	WASHER RUBBER
17	3H02773A	DRAIN PIPE
18	4790AR1493A	BARRIER
19	5040AR4254A	RUBBER INSERT
20	3530AR2688B	REAR WIRE GRILLE

= Functional Parts

* = Non-illustrated Parts

CAUTION: Use the Kenmore part number on all orders, **not** the illustration number.

COMPRESSOR PARTS



CAUTION: Use the Kenmore part number on all orders, **not** the illustration number.

COMPRESSOR PARTS

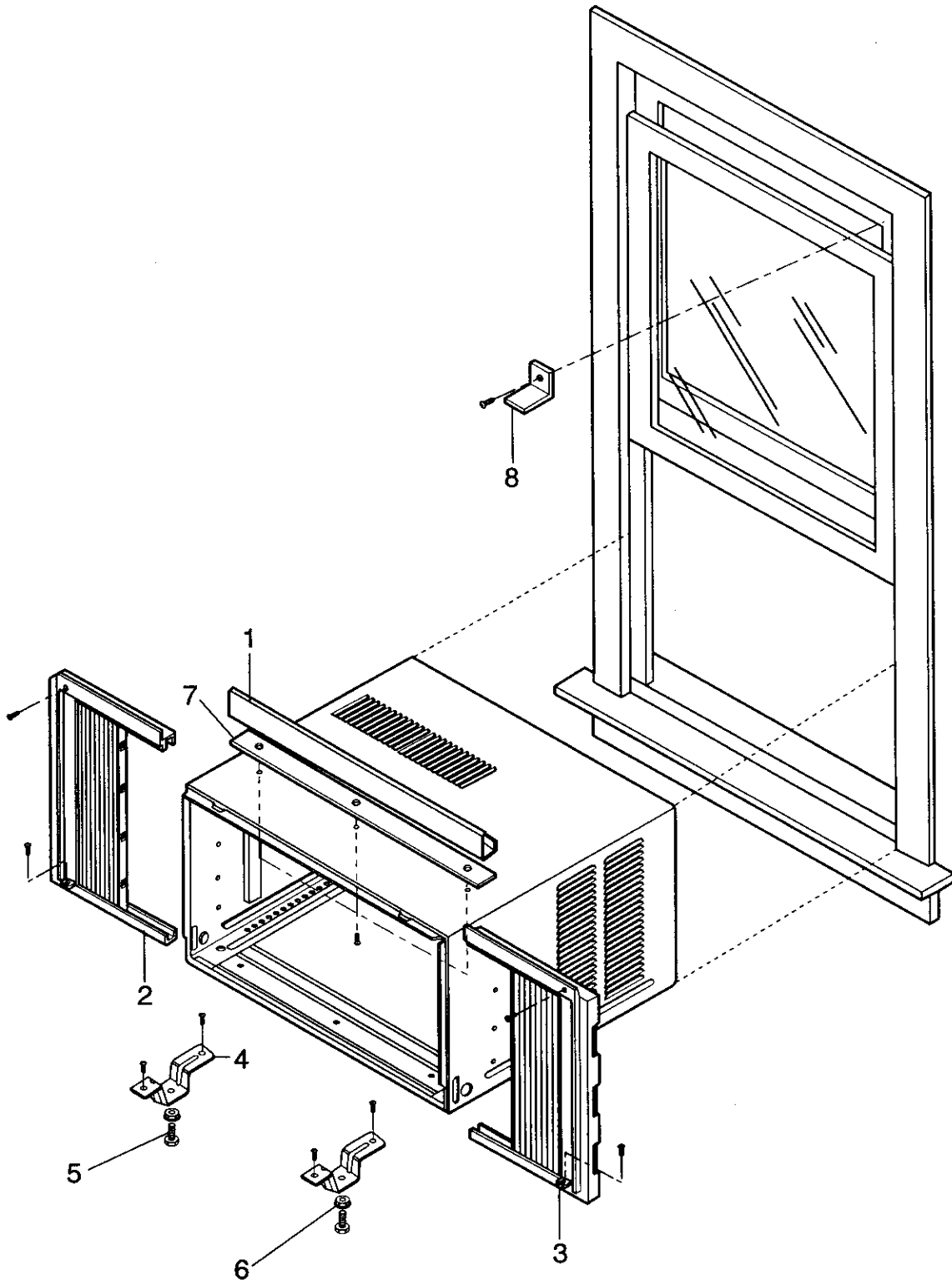
POS. NO	PART NO	DESCRIPTION
1	4984AR4361A	ANTI-VIBRATION BUSH
2 #	5416AR2300Q	COMPRESSOR
3	4H01811C	BRACKET, WASHER
4	1NHA0801206	HEXAGON NUTS
5	4986U-L001B	GASKET
6 #	6750U-L029A	OVERLOAD PROTECTOR
7	4970U-L002A	SPRING
8	3550U-L002D	TERMINAL COVER
9	4H01058A	GASKET NUT
10	4H00947A	TERMINAL COVER NUT
11	6631AR2668E	CONNECTOR ASS'Y
12	5211AR2930A	TUBE ASS'Y DISCHARGE
13	5211AR2926A	TUBE ASS'Y SUCTION
14	5210AR4358A	TUBE FORMED EVAPORATOR
15	5210AR7060A	TUBE FORMED EVAPORATOR
16	5211AR7059A	TUBE FORMED CONDENSER ASS'Y
17	5425AR7133A	TUBE ASS'Y CAPILLARY

= Functional Parts

* = Non-illustrated Parts

CAUTION: Use the Kenmore part number on all orders, **not** the illustration number.

INSTALLATION KIT ASS'Y



CAUTION: Use the Kenmore part number on all orders, **not** the illustration number.

INSTALLATION KIT ASS'Y

POS. NO	PART NO	DESCRIPTION
1	4974AR3262E	UPPER GUIDE
2	4959AR3402C	SIDE CURTAIN ASS'Y
3	4959AR3402D	SIDE CURTAIN ASS'Y
4	4810AR3240A	SILL SUPPORT BRACKET
5	1BHD1004006	BOLT
6	1NHC1000006	NUT
7	5400AR3260C	FOAM PE
8	4H01785B	WINDOW LOCKING BRACKET

= Functional Parts

* = Non-illustrated Parts

INDICE DE MATERIAS

INDICE DE MATERIAS	26	Características	34
GARANTÍA	26	Uso del equipo de aire acondicionado	34
SEGURIDAD	27	Características del equipo de aire acondicionado	35
Importantes instrucciones de seguridad	27	MANTENIMIENTO	36
REQUERIMIENTOS ELÉCTRICOS	28	Limpieza del filtro del aire	36
INSTALACIÓN	29	Limpieza del equipo de aire acondicionado	36
Requerimientos para instalación	29	Cómo sacar la rejilla frontal	36
Cómo instalarlo	30	CORRECCIÓN DE FALLAS	37
Cómo sacar el equipo de aire acondicionado de la ventana	32	Antes de Llamar para servicio	37
OPERACIÓN	33		
Instalación	33		
Cómo y por qué	33		
Sonidos normales	33		
Capacidad y tiempo de funcionamiento	33		

GARANTÍA

GARANTÍA DE UN AÑO POR EL EQUIPO DE AIRE ACONDICIONADO DE HABITACIÓN

Durante un año completo a partir de la fecha de compra, si este equipo de aire acondicionado recibe mantenimiento y se utiliza para el enfriamiento normal de habitación según las instrucciones indicadas en este manual del propietario, Sears reparará gratuitamente este equipo de aire acondicionado, si tiene algún defecto en materiales o fabricación.

GARANTÍA TOTAL DE CINCO AÑOS POR EL SISTEMA DE REFRIGERACIÓN HERMÉTICAMENTE SELLADO

Durante cinco años a partir de la fecha de compra, si este equipo de aire acondicionado recibe mantenimiento y se utiliza para el enfriamiento normal de habitación según las instrucciones indicadas en este manual del propietario, Sears reparará gratuitamente el sistema de refrigeración herméticamente sellado (que consiste en el agente refrigerante, los tubos de conexión y el compresor), si tiene algún defecto en materiales o fabricación.

EL SERVICIO DE GARANTÍA ESTÁ A SU DISPOSICIÓN CON SÓLO PONERSE EN CONTACTO CON LA TIENDA O EL CENTRO DE SERVICIO SEARS MÁS CERCANO A SU DOMICILIO EN LOS ESTADOS UNIDOS.

La protección de garantía cubre únicamente a los equipos de aire acondicionado usados para uso doméstico y no para uso comercial.

Esta garantía sólo tiene validez mientras el producto se esté usando en los Estados Unidos.

Esta garantía le da derechos legales específicos y usted puede tener otros derechos que varían de estado en estado.

**Sears, Roebuck and Co., D/817WA,
Hoffman Estates, IL 60179 U.S.A.**

SEGURIDAD

IMPORTANTES INSTRUCCIONES DE SEGURIDAD

Las siguientes instrucciones de seguridad le indicarán cómo usar su equipo de aire acondicionado de habitación para evitar daños para usted mismo y para su EQUIPO DE AIRE ACONDICIONADO.

⚠ ADVERTENCIA POR SU SEGURIDAD

No almacene ni use gasolina u otros vapores y líquidos inflamables cerca de éste o cualquier otro electrodoméstico. Lea las etiquetas de los productos para ver si contienen advertencias sobre el carácter inflamable de los mismos y otras advertencias.

⚠ ADVERTENCIA PARA PREVENIR ACCIDENTES

Para reducir el riesgo de incendios, descargas eléctricas o lesiones personales al usar su equipo de aire acondicionado, tome las precauciones básicas, entre las que están las siguientes:

- Asegúrese de que la alimentación eléctrica sea la apropiada para el modelo que usted ha elegido.
- Si el equipo de aire acondicionado debe instalarse en una ventana, a usted probablemente le conviene limpiar primero ambos lados del vidrio. Si la ventana es del tipo de tres paneles con un panel incluido de pantalla, le conviene sacar la ventana completamente antes de la instalación.
- Asegúrese de que el equipo de aire acondicionado ha sido instalado correctamente y con seguridad según se señala en las instrucciones separadas de instalación que vienen en este manual. Conserve este manual y las instrucciones de instalación para usarlos posiblemente en el futuro al sacar o volver a instalar esta unidad.
- Al manejar el equipo de aire acondicionado, tenga cuidado para evitar cortadas con las afiladas aletas metálicas que se hallan en los serpentines frontales y posteriores.

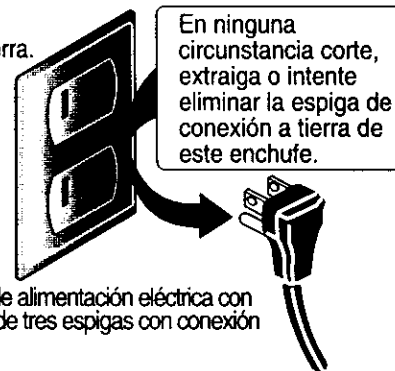
⚠ ADVERTENCIA INFORMACIÓN ELECTRICA

En la placa de serie del fabricante se indica cuál es la capacidad eléctrica nominal completa de su nuevo equipo de aire acondicionado para habitación. Consulte esta placa cuando vaya a verificar los requerimientos eléctricos.

- Asegúrese de que el equipo de aire acondicionado tenga una conexión correcta a tierra. Para reducir al mínimo los riesgos de descargas eléctricas e incendio, es importante conectar el equipo correctamente a tierra. El cordón de alimentación eléctrica está equipado con un enchufe de tres espigas con conexión a tierra para protegerle contra riesgos de descargas eléctricas.
- Su equipo de aire acondicionado debe enchufarse en una toma de corriente de pared que tenga una conexión correcta a tierra. Si la toma de corriente de pared que usted piensa usar no está conectada correctamente a tierra o no está protegida con un fusible de acción retardada o con un interruptor de circuito, haga que un electricista calificado le instale la toma de corriente de pared en forma correcta.
- No ponga a funcionar el equipo de aire acondicionado con una cubierta protectora exterior encima. Esto podría ocasionar daños mecánicos dentro del aire acondicionado.
- **No use un cable de extensión ni un enchufe adaptador.**

⚠ ADVERTENCIA Evite los peligros de incendios y descargas eléctricas. No use un cable de extensión ni un enchufe adaptador. No elimine ninguna de las espigas del enchufe del cordón de alimentación eléctrica.

Toma de corriente de pared con conexión a tierra.



Cordón de alimentación eléctrica con enchufe de tres espigas con conexión a tierra.

IDEAS PARA AHORRAR ENERGÍA

- La capacidad del equipo de aire acondicionado debe corresponder al tamaño de la habitación para el funcionamiento eficiente y satisfactorio del equipo.
- Instale el equipo de aire acondicionado de habitación en el lado sombreado de su hogar. Una ventana orientada hacia el norte es la mejor porque tiene sombra la mayor parte del día.
- No bloquee el flujo de aire hacia el interior con persianas, cortinas o muebles; o la parte de afuera con arbustos, paredes u otras construcciones.
- Cierre el regulador de tiro de la chimenea, las rejillas de calefacción del piso y la pared, de tal modo que el aire frío no se escape ni por la chimenea ni por los conductos.
- Mantenga las persianas y las cortinas de otras ventanas cerradas durante la parte más soleada del día.
- Limpie el filtro del aire como se recomienda en la sección "MANTENIMIENTO" de este manual.
- El aislamiento correcto y las juntas herméticas en puertas y ventanas en su hogar le ayudarán a mantener el aire caliente afuera y el aire frío adentro.
- Al darle sombra externamente a la casa con árboles, plantas o toldos ayudará a reducir la carga de trabajo del equipo de aire acondicionado.
- Opere los aparatos que producen calor como, por ejemplo, hornos, lavadoras, secadoras y lavaplatos durante la parte más fría del día.





REQUERIMIENTOS ELÉCTRICOS

Vea el siguiente cuadro donde hallará información sobre el cableado y la toma de corriente necesarios para la instalación eléctrica.

RESPETE TODOS LOS CÓDIGOS Y ORDENANZAS LOCALES QUE RIGEN LA MATERIA
Nunca elimine la espiga de conexión a tierra del cordón de alimentación eléctrica.

Para modelos de 115 voltios con amperaje indicado en la placa del fabricante de hasta 12.0

Para modelos de 115 voltios con amperaje indicado en la placa del fabricante de 12.1 hasta 16.0

DATOS DEL ENCHUFE Y LA TOMA DE CORRIENTE	TOMA DE CORRIENTE VOLTAJE(60HZ, CORRIENTE ALTERNA EN TODOS LOS CASOS)	AMPERAJE INDICADO EN LA PLACA DEL FABRICANTE	USE EL FUSIBLE DE ACCIÓN RETARDADA O UN INTERRUPTOR DE CIRCUITO CAPACIDAD NOMINAL EN AMPERIOS	CALIBRE MÍNIMO DEL CABLE DE LA TOMA DE CORRIENTE	CIRCUITO DERIVADO O TIOP
 <p>HOJAS PARALELAS TOMA DE CORRIENTE ESPIGA DE CONEXIÓN A TIERRA CATEGORÍA NO.34A5925</p>	115	Hasta 12.0	 15	CALIBRE 14 USE HILO DE COBRE SOLAMENTE	TOMA INDIVIDUAL DE CORRIENTE ÚNICAMENTE
 <p>HOJA PLANA ESPIGA DE CONEXIÓN A TIERRA HOJA EN "T" TOMA DE CORRIENTE CATEGORÍA NO.34-5242</p>	115	12.1 hasta 16.0	 20	CALIBRE 12 USE HILO DE COBRE ÚNICAMENTE	TOMA INDIVIDUAL DE CORRIENTE ÚNICAMENTE

- Esta unidad requiere una alimentación eléctrica de tres hilos, monofásica, 60 Hz, de corriente alterna.
- El cableado de la toma de corriente debe tener al menos el calibre indicado en el cuadro sobre datos eléctricos. Respete todos los códigos locales.
- Por su seguridad personal, este aparato debe ir conectado correctamente a tierra. Este aparato tiene un cordón de alimentación eléctrica con un enchufe de tres espigas con conexión a tierra.

LAS CONEXIONES Y EL CABLEADO CORRECTO DE LA CASA

- Siga cuidadosamente todas las instrucciones que se anexan para lograr costos más bajos de operación y un servicio libre de problemas.
- **USE SÓLO FUSIBLES DE ACCIÓN RETARDADA** (o un interruptor de circuito) para el uso seguro del equipo y para ayudar a prevenir la quemadura innecesaria de los fusibles.
- **EL CALIBRE CORRECTO DE LOS CABLES DE LA CASA** es necesario para obtener un buen voltaje y para prevenir la sobrecarga del circuito. Vea los datos que vienen al reverso. Evite los largos tramos de cables que pueden causar que el voltaje descienda por debajo del voltaje que se indica en la placa del fabricante.
- **Es mejor que NINGÚN OTRO ELECTRODOMÉSTICO** o dispositivo esté en el mismo circuito protegido con fusible al cual se conecta esta unidad. Los cables que transportan más corriente eléctrica que la que pueden manejar con seguridad pueden causar la quemadura de los fusibles. En este manual se indican claramente cuáles son los REQUERIMIENTOS ELÉCTRICOS.

PELIGRO: NO USE ESTE EQUIPO CON UN CABLE DE EXTENSIÓN.

El cordón de alimentación eléctrica que viene con el equipo de aire acondicionado es el mejor calibre para el uso seguro y eficiente de su equipo de aire acondicionado. El uso de un cable de extensión puede causar recalentamientos, pérdida de energía eléctrica y la quemadura de fusibles e interruptores de circuito.

A MENOS QUE ESTE PRODUCTO ESTÉ APROPIADAMENTE CONECTADO A TIERRA, USTED NO ESTARÁ PROTEGIDO CONTRA DESCARGAS ELÉCTRICAS SEVERAS O MORTALES, EN EL CASO DE QUE OCURRA UN CORTOCIRCUITO EN UN COMPONENTE ELÉCTRICO O EN LOS CABLES DEL EQUIPO DE AIRE ACONDICIONADO.

INSTALACIÓN

REQUERIMIENTOS PARA INSTALACIÓN

Su equipo de aire acondicionado se instalará en ventanas estándar de doble panel con anchos de abertura libre de 686 mm a 990 mm (27 a 39 pulgadas). (Figura 1)

El marco inferior debe abrirse lo suficiente para permitir una abertura vertical libre de 406 mm (16 pulgadas). Las rejillas desviadoras laterales y la parte posterior del equipo de aire acondicionado deben tener un espacio libre de aire para permitir suficiente flujo de aire a través del condensador para así eliminar el calor. La parte posterior de la unidad debe quedar al aire libre, no dentro de un edificio o garaje.

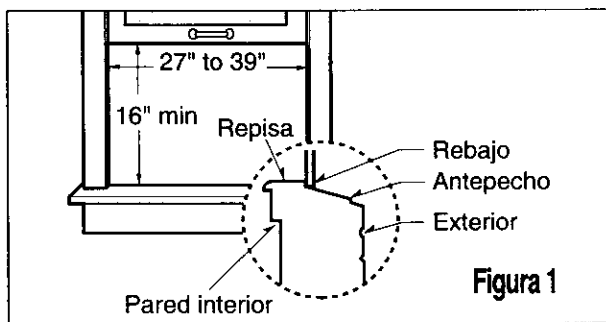


Figura 1

SERVICIO ELECTRICO

Compruebe cuál es la alimentación eléctrica que llega a su domicilio. La alimentación eléctrica disponible debe ser la misma que se muestra en la placa del fabricante de la unidad (que se halla en el lado derecho del gabinete de corriente alterna).

Todos los modelos están equipados con un enchufe de tres espigas para suministrar un servicio correcto y una conexión a tierra segura y positiva. No cambie el enchufe de ninguna forma. No use un enchufe adaptador. Si su toma de corriente de pared actual no puede usarse con el enchufe del equipo, llame a un electricista calificado para que efectúe las correcciones necesarias.

CONSERVE LA CAJA y este MANUAL DEL PROPIETARIO para que le sirva como referencia en el futuro. La caja es la mejor manera de conservar la unidad durante el invierno o cuando no está en uso.

HERRAMIENTAS REQUERIDAS

- Guantes apretados
- Destornillador normal
- Destornillador Phillips
- Pintas
- Cuchillo filoso
- Nivelador
- Llave inglesa o llave abierta de 3/8"
- Llave hexagonal de cubo y trinquete de 1/4 de pulgada
- Cinta para medir
- Taladro eléctrico
- Broca de taladro de 1/4"

INSTALACIÓN PIEZAS DE MONTAJE

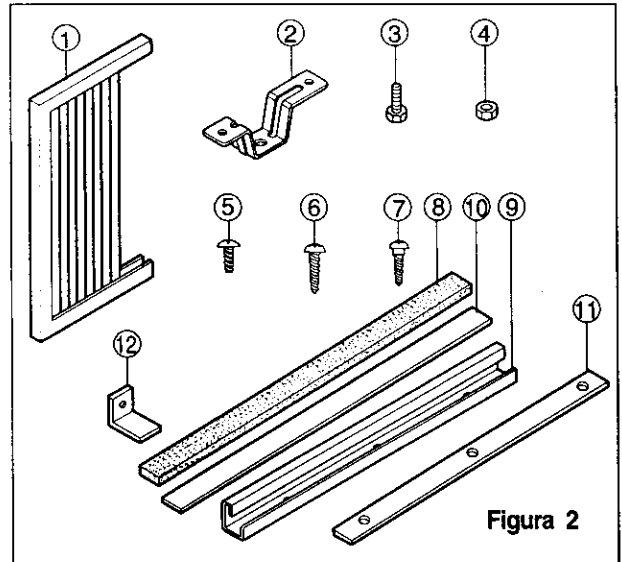


Figura 2

No.	NOMBRE DE LA PIEZA	CANTIDAD
1	PANEL DE GUÍA	2
2	SOPORTE DE ANTEPECHO	2
3	PERNO	2
4	TUERCA	2
5	TORNILLO(TIPO A): 25/64"	16
6	TORNILLO(TIPO B): 5/8"	3
7	TORNILLO(TIPO C): 5/8"	5
8	CINTA DE ESPUMA	1
9	GUÍA SUPERIOR	1
10	CINTA DE ESPUMA	1
11	CINTA DE ESPUMA	1
12	SOPORTE DE CERRADURA	1



CUIDADO

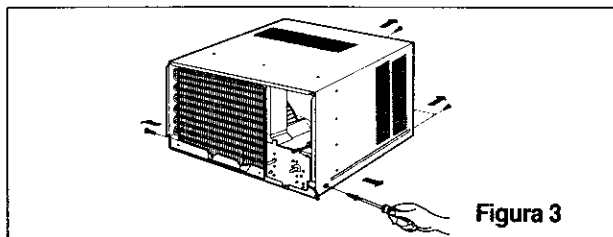
Para evitar el riesgo de lesiones personales, danos a su propiedad, o danos al producto debido al peso de este equipo y los filos a que serán expuestos:

- El aire acondicionado del que se habla en este manual afirma peligro de peso excesivo. Dos o más personas se requiere para mover e instalar la unidad. Para evitar heridas o agotamiento, use técnicas apropiadas para levantar y mover la unidad.
- Cuidadosamente inspeccione el lugar donde el aire acondicionado será puesto. Asegurese que el lugar sostenga el peso de la unidad sobre un periodo de tiempo prolongado.
- Mantenga su aire acondicionado con cuidado. Use guantes protectores cuando levante o mueva la unidad. EVITE las aletas filosas de metal en el serpentín delantero y de atrás.
- Asegurese que el aire acondicionado no se caiga durante la instalación.

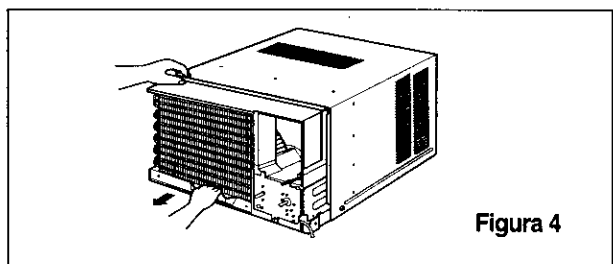
INSTALACIÓN

CÓMO INSTALARLO

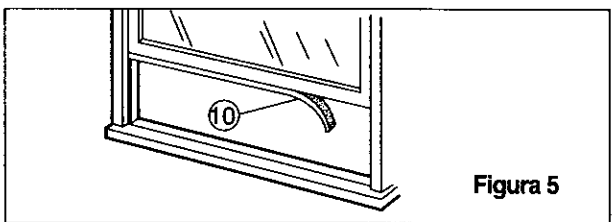
- 1** Saque los tornillos que aseguran el gabinete en ambos lados y en la parte posterior.



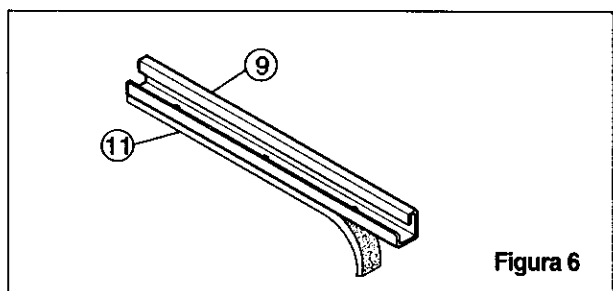
- 2** Deslice la unidad sacándola de su gabinete agarrando el asa del recipiente de la base y tirando de ella hacia delante mientras sostiene el gabinete.



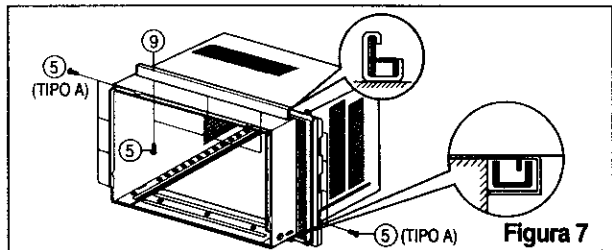
- 3** Corte la GOMA ⑩ a la extensión apropiada. Despegue el refuerzo y peguelo en el lado de abajo del marco de la ventana.



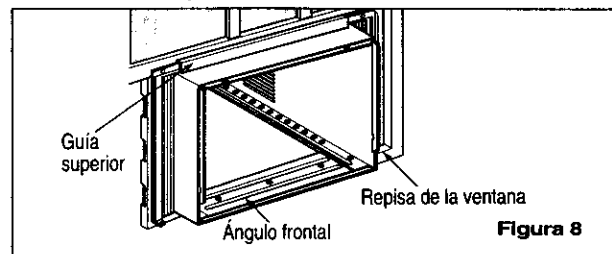
- 4** Quite el refuerzo de la GOMA ⑪ y peguelo en el fondo de la guía superior ⑨.



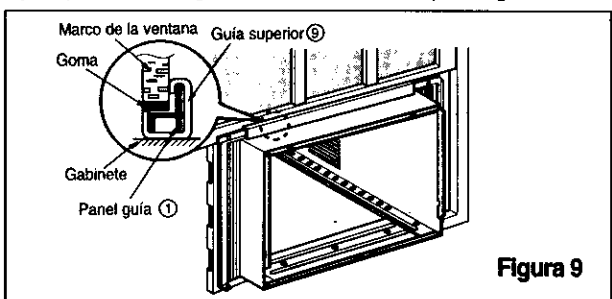
- 5** Atornille los tornillos de la guía superior ⑨ a la parte superior del gabinete según corresponda. (Tornillo de tipo A). Inserte la guía del marco ⑨ dentro de la parte inferior del gabinete. Inserte los paneles de guía ① en la guía superior ⑨ y las guías de marco del equipo de aire acondicionado. Sujete las cortinas en la unidad con los tornillos (TIPO A) ⑤.



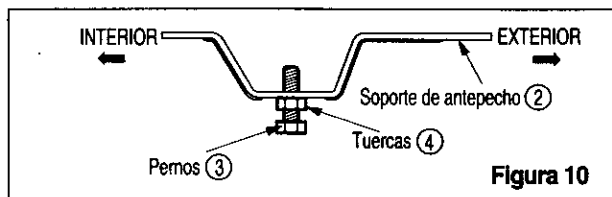
- 6** Abra la ventana. Marque una línea en el centro de la repisa de la ventana (o en la posición deseada del equipo de aire acondicionado). Coloque cuidadosamente el gabinete en la repisa de la ventana y alinee la marca central en la parte frontal inferior con la línea central marcada en la repisa de la ventana.



- 7** Tire del marco inferior de la ventana hacia abajo detrás de la guía superior hasta que se encuentre la guía con el marco.
- NOTA:** No tire del marco de la ventana tan hacia abajo que quede restringido el movimiento del panel guía.

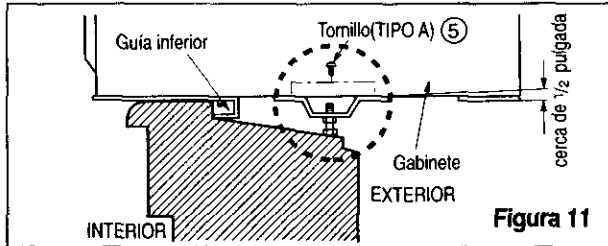


- 8** Monte sin apretar el soporte de antepecho usando las piezas indicadas en la Figura 10.



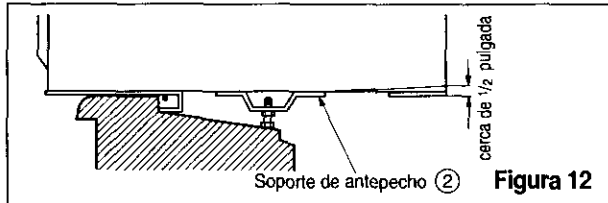
INSTALACIÓN

- 9** Seleccione la posición en la que colocará el soporte de antepecho cerca del punto más externo en el antepecho (Figura 11).
Fije el soporte de antepecho al orificio del carril del gabinete en relación con la posición seleccionada usando el tornillo (TIPO A) ⑤.

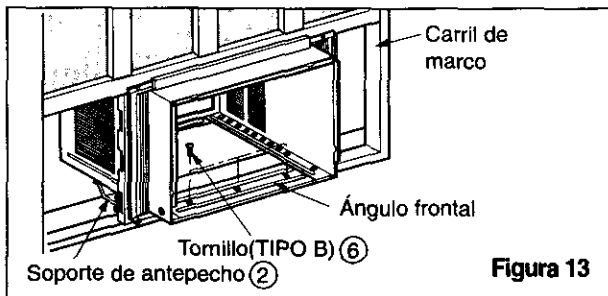


- 10** Coloque el soporte de antepecho con el gabinete en la posición seleccionada del antepecho de ventana.

- 11** El gabinete debe instalarse con una inclinación muy ligera (cerca de 1/2 pulgada, 12.7 mm) hacia abajo y hacia fuera (Figura 12).
Ajuste el perno y la tuerca del soporte de antepecho para equilibrar el gabinete.

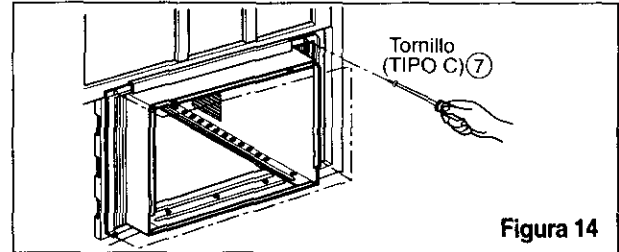


- 12** Fije el soporte de antepecho al orificio del carril del gabinete en relación con la posición seleccionada usando el tornillo (TIPO B) (Figura 13).

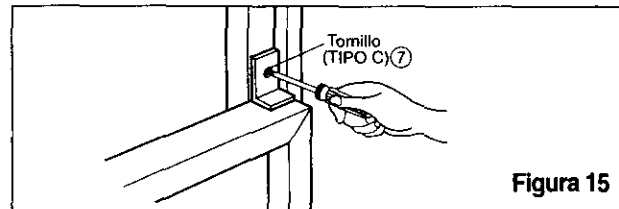


- 13** Tire de cada panel guía llevándolo completamente hasta cada carril de antepecho y repita el paso 5.

- 14** Fije cada panel guía completamente a cada marco de la ventana usando tornillos (TIPO C). (Figura 14)

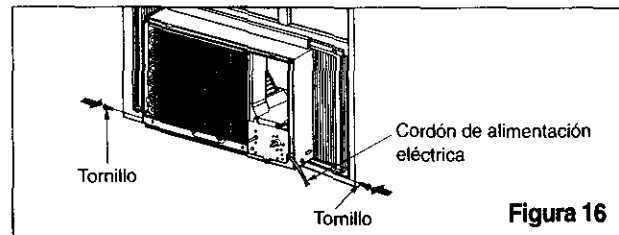


- 15** Corte la cinta de espuma para que tenga la longitud correcta e insértela entre el marco superior de la ventana y el marco inferior de la ventana. (Figura 15)



- 16** Deslice el chasis metiéndolo dentro del gabinete. (Figura 16)

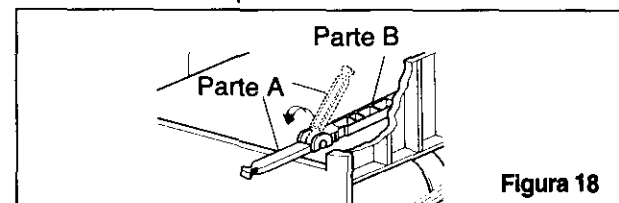
CUIDADO: Para garantizar la seguridad, vuelva a instalar los tornillos en los lados del gabinete.



- 17** Después de volver a instalar la unidad en el gabinete, habrá un espacio libre entre la cara inferior de la unidad y el antepecho de la ventana. Use la cinta de espuma ⑧ provista para cubrir esta abertura.



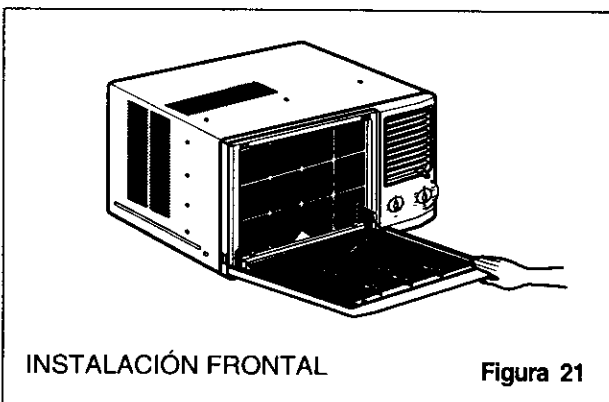
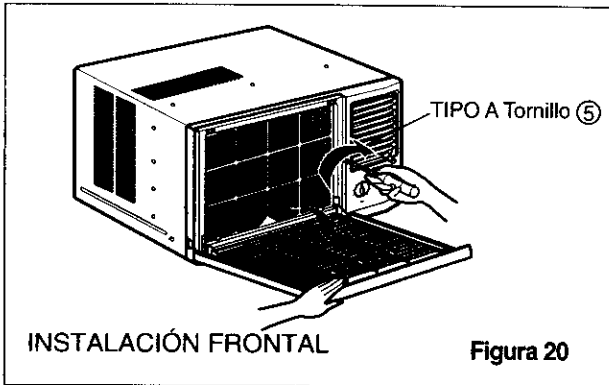
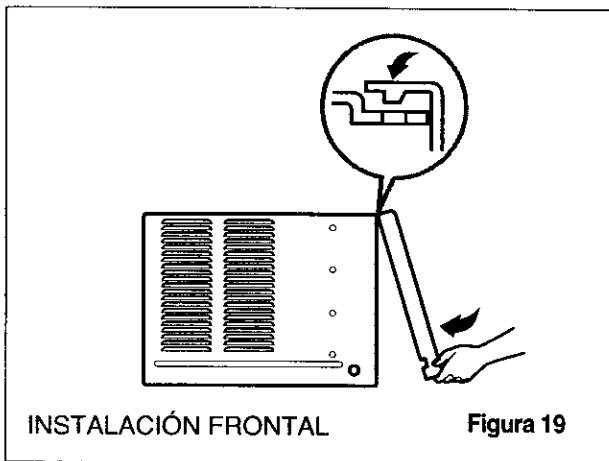
- 18** Se debe instalar el asa antes de montar el panel decorativo. Antes de usar la característica de ventilación, haga un kit de ventilación, primero, tire de la parte A hasta la línea horizontal con la parte B.



INSTALACIÓN

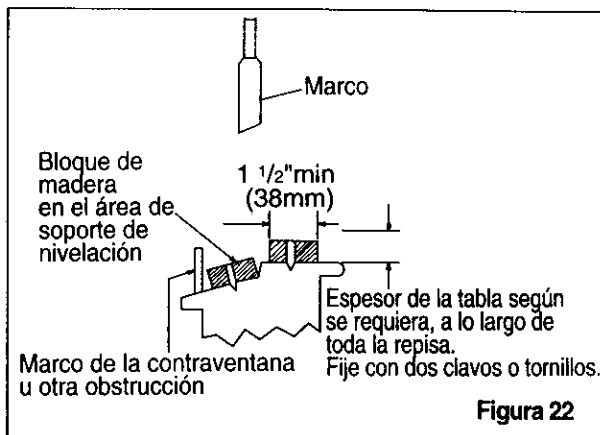
19 INSTALACIÓN FRONTAL

- Tire de la rejilla frontal hacia abajo desde la parte superior del gabinete
- Empuje las puntas de la rejilla frontal hacia el gabinete para insertar las lengüetas de la rejilla dentro del gabinete.
- Abra la rejilla de entrada
- Apriete el tornillo ⑤ a través de la rejilla frontal fijándolo al recipiente de base
- Cierre la rejilla de entrada



SI EL EQUIPO DE AIRE ACONDICIONADO está bloqueado por una contraventana.

Añada madera como se muestra en la Figura 22 o saque la contraventana mientras instala el equipo de aire acondicionado.



CÓMO SACAR EL EQUIPO DE AIRE ACONDICIONADO DE LA VENTANA

Apague el equipo de aire acondicionado, desconecte el cordón de alimentación eléctrica, saque el seguro de marco y los tornillos instalados a través de la parte superior e inferior de los paneles deslizantes y guárdelos para volver a instalarlos más tarde. Cierre los paneles deslizantes. Agarre firmemente el equipo de aire acondicionado, eleve el marco e incline cuidadosamente el equipo de aire acondicionado hacia atrás, drenando cualquier agua que se haya condensado. Levante el equipo de aire acondicionado de la ventana y saque la junta hermética de entre las ventanas.

⚠ CUIDADO

- El aire acondicionado del que se habla en este manual afirma peligro de peso excesivo. Dos o más personas se requiere para mover e instalar la unidad. Para evitar heridas o agotamiento, use técnicas apropiadas para levantar y mover la unidad.
- Al manejar la unidad, tenga cuidado para evitar cortarse con las alertas metálicas afiladas que están en los serpentines frontal y posterior.
- Asegurese que el aire acondicionado no se caiga durante la instalación.

OPERACIÓN

INSTALACIÓN

Escoja un lugar que le permita llevar el aire frío al área que desea. Las ventanas que se usen para la instalación deben tener la resistencia suficiente para soportar el peso del equipo de aire acondicionado. Una buena instalación con atención especial a la correcta posición de la unidad disminuirá la probabilidad de que sea necesario efectuar reparaciones.

Cuando se desea enfriar más de una habitación, la instalación es muy importante puesto que el aire frío no dobla esquinas. Para enfriar sus habitaciones, el aire frío debe desplazarse desde el equipo de aire acondicionado en una trayectoria recta.

CÓMO Y POR QUÉ

Su equipo de aire acondicionado de habitación brinda las siguientes funciones para hacer que la vida en climas cálidos sea más confortable:

- Enfría y hace circular el aire por la habitación
- Disminuye la humedad eliminando la humedad excesiva.
- Filtra el polvo, el sucio y algunas impurezas transportadas en el aire del clima veraniego.

El equipo de aire acondicionado realiza estas funciones haciendo pasar el aire del medio ambiente a través de un filtro que atrapa las partículas de polvo y sucio. El aire pasa entonces por un serpentín de enfriamiento que refrigera el aire y elimina el exceso de humedad. El mismo aire regresa entonces al enfriador, secador y limpiador del aire del ambiente. La humedad extraída del aire ambiente es llevada al exterior y evaporada.

Su aire acondicionado está diseñado para operar y suministrar una enorme potencia de enfriamiento.

SONIDOS NORMALES

Además de los sonidos regulares del motor del ventilador y el compresor que salen de su equipo de aire acondicionado, usted escuchará de vez en cuando un sonido metálico. Este sonido es producido por la humedad que es recogida del aire en el ambiente y es lanzada contra el ventilador del equipo de aire acondicionado. Esto es algo normal que no debe ser motivo de preocupación. De igual modo, no se alarme si usted escucha un ligero sonido de silbido o borboteo proveniente de su equipo de aire acondicionado después que lo apaga. Estos son ruidos normales del refrigerante.

Compresor

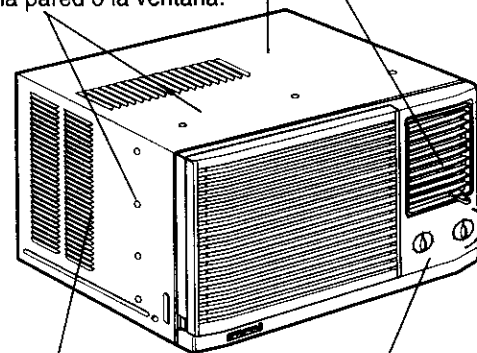
El moderno compresor de gran eficiencia puede producir un ruido agudo de murmullo o un ruido de pulsación que viene y se va.

Vibraciones de la unidad

La unidad puede vibrar y hacer ruido debido a la deficiente construcción de la pared o la ventana.

Ventilador

Usted puede escuchar el movimiento del aire proveniente del ventilador



Condensador

Usted puede escuchar gotas de agua que caen sobre el condensador causando un sonido metálico o un sonido de chasquido.

Termostato

A medida que el sistema de enfriamiento va realizando su ciclo, el termostato puede hacer sonidos de chasquido.

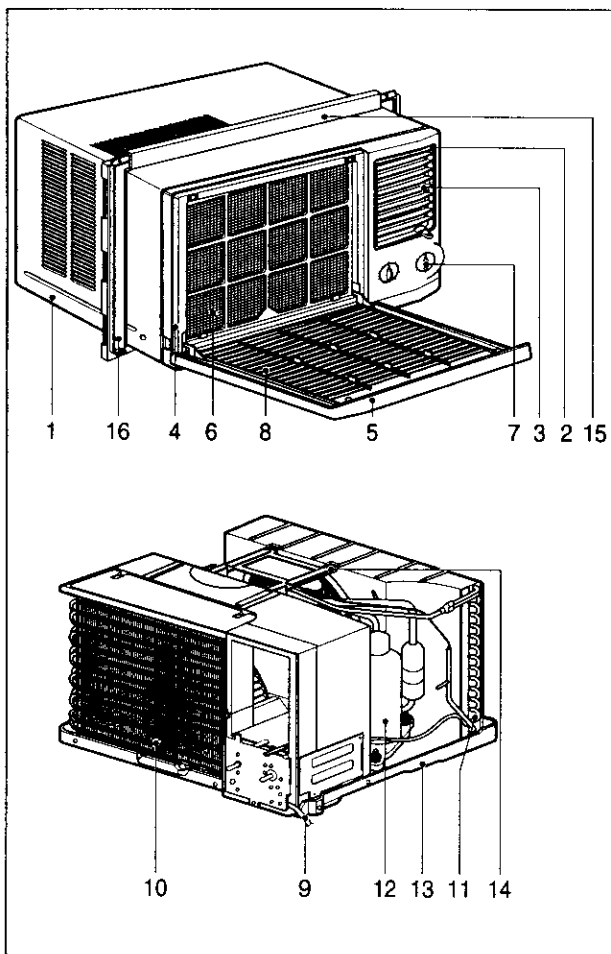
CAPACIDAD Y TIEMPO DE FUNCIONAMIENTO

Al decidir cuál debe ser la comodidad deseada para el área que usted quiere enfriar, es importante determinar el tamaño correcto de la unidad. Una unidad pequeña no tendrá la capacidad para enfriar, dejando la área calurosa. El tamaño adecuado es determinado por el número de metros cuadrados que tiene el área que se desea enfriar, así como por la temperatura interior y exterior y por la humedad. Una unidad demasiado grande si enfría, pero no deshumedece, dejando la área fría y húmeda. Siempre que la carga térmica del ventilador esté por encima de lo normal, el equipo de aire acondicionado debe funcionar más tiempo para mantener la temperatura deseada que usted ha seleccionado. Bajo condiciones de una carga térmica muy pesada, puede ser necesario que el equipo de aire acondicionado funcione constantemente para mantener la temperatura deseada.

En ocasiones, el uso de MED.FAN para hacer circular el aire por la habitación hace que el ambiente sea más confortable aun cuando el equipo no esté enfriando el aire. Mientras más tiempo y con mayor frecuencia funcione el equipo de aire acondicionado, más electricidad consumirá y mayores serán los costos de su uso.

OPERACIÓN

CARACTERÍSTICAS



1. Gabinete
2. Deflector vertical de aire (rejilla desviadora horizontal)
3. Descarga de aire frío
4. Rejilla frontal
5. Rejilla de entrada
6. Filtro del aire
7. Tablero de control
8. Entrada de aire
9. Cordón de alimentación eléctrica
10. Evaporador
11. Condensador
12. Compresor
13. Recipiente de base
14. Puntal
15. Guía superior
16. Cortina

USO DEL EQUIPO DE AIRE ACONDICIONADO

! ADVERTENCIA Para reducir el riesgo de incendio, descargas eléctrica o lesiones personales, lea las **IMPORTANTES INSTRUCCIONES DE SEGURIDAD** antes de operar este aparato.

Para comenzar a utilizar el equipo de aire acondicionado, siga estos pasos:

1. Enchufe el equipo de aire acondicionado. (Para prevenir riesgos de descargas eléctricas, no use un cable de extensión ni un enchufe adaptador.)
2. Ajuste el extractor de aire en la posición CLOSE.
3. Ajuste el control de MODE al más alto nivel fresco.
4. Ajuste el control del ventilador al más alto nivel.
5. Ajuste las rejillas desviadoras para lograr un flujo cómodo de aire.
6. Una vez que la habitación se haya enfriado, ajuste el control de temperatura TEMP a la graduación que usted considere más cómoda.

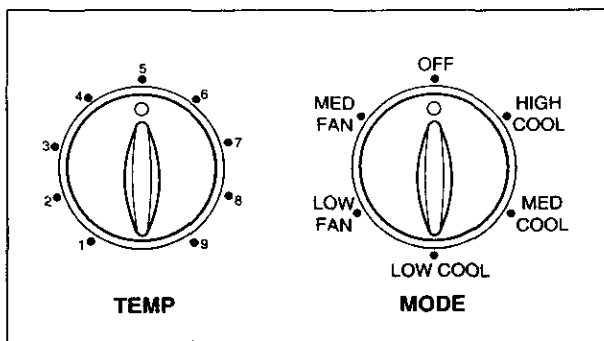
NOTA: Si se apaga el aire acondicionado, espere 3 minutos antes de volver a encenderlo. Esto permite que se establezca la presión dentro del compresor. Si no sigue estas instrucciones, el equipo podría funcionar con poca eficiencia.

Revise la sección **CARACTERÍSTICAS DEL EQUIPO DE AIRE ACONDICIONADO** donde hallará instrucciones para otras graduaciones (página 35).

OPERACIÓN

CARACTERÍSTICAS DEL EQUIPO DE AIRE ACONDICIONADO

Los controles que se explican en este manual son representativos de muchos modelos disponibles a la venta en el mercado. Su modelo puede tener un aspecto ligeramente diferente.



TEMPERATURA

El termostato controlará automáticamente la temperatura de la habitación. Seleccione el número más alto para una temperatura ambiente más baja. La temperatura se selecciona girando la perilla hasta la posición deseada. Normalmente la posición 5 o la posición 6 es la graduación más adecuada para las condiciones normales.

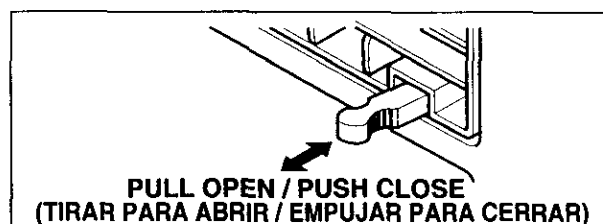
MODOS

- OFF :** Apaga el equipo de aire acondicionado.
- MED FAN:** Permite la operación del ventilador a media velocidad sin enfriar.
- LOW FAN:** Permite la operación del ventilador a baja velocidad sin enfriar.
- HIGH COOL:** Permite el enfriamiento con la operación del ventilador a alta velocidad.
- MED COOL:** Permite el enfriamiento con la operación del ventilador a media velocidad.
- LOW COOL:** Permite el enfriamiento con la operación del ventilador a baja velocidad.

CONTROL DE VENTILACIÓN

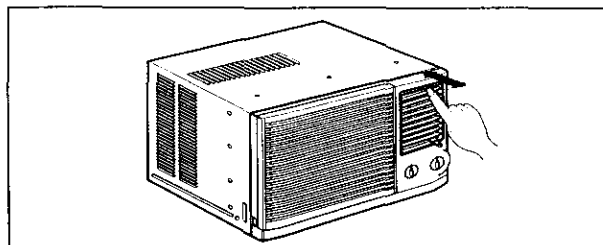
El control de ventilación permite que el equipo de aire acondicionado haga recircular el aire en el interior de la habitación (CLOSE) o saque el aire hacia el exterior (OPEN).

- La posición CLOSE sirve cuando se desea un enfriamiento máximo. También puede usarse para hacer recircular el aire sin enfriar la habitación cuando el equipo de aire acondicionado se ajusta en la posición FAN.
- La posición OPEN extrae el aire estancado de la habitación y lo expulsa hacia fuera. El aire fresco es llevado hacia el interior de la habitación a través de los pasajes normales de aire que se hallan en los hogares.
- La posición OPEN o CLOSE puede usarse con cualquier selección de ventilador.



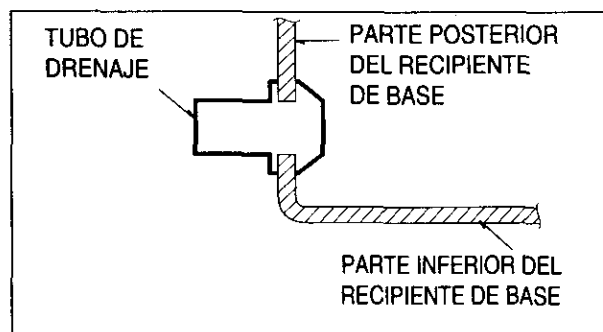
CONTROL DE DIRECCIÓN VERTICAL DEL AIRE

La dirección vertical del aire se ajusta moviendo la rejilla horizontal hacia delante o hacia atrás.



DRENAJE

Primero, asegúrese de insertar el tubo de drenaje en el recipiente de base antes de la instalación. El equipo de aire acondicionado debe instalarse con una ligera inclinación hacia la parte exterior para permitir el drenaje del agua. Por lo general, el equipo de aire acondicionado puede drenar el agua condensada a través de la tubería de drenaje.

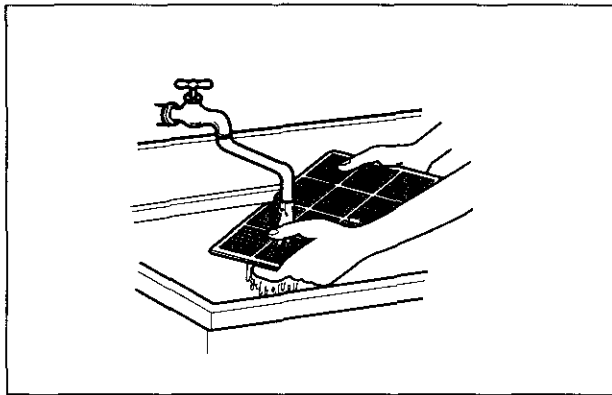
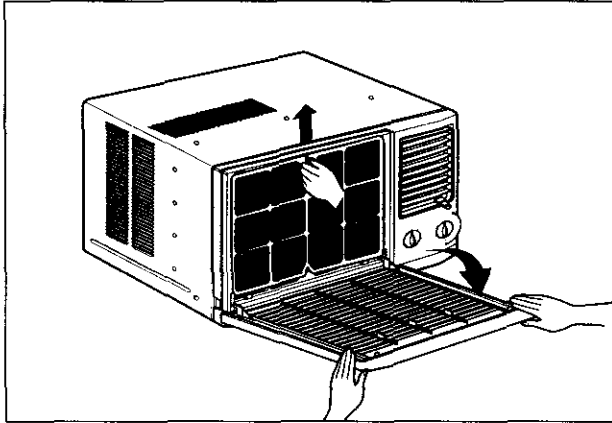


MANTENIMIENTO

LIMPIEZA DEL FILTRO DEL AIRE

Se debe revisar el filtro de aire al menos dos veces al mes para ver si es necesario limpiarlo. Las partículas atrapadas en el filtro se irán acumulando hasta bloquear el flujo del aire. Esto reduce la capacidad de enfriamiento del equipo y causa también una acumulación de escarcha en los serpentines de enfriamiento.

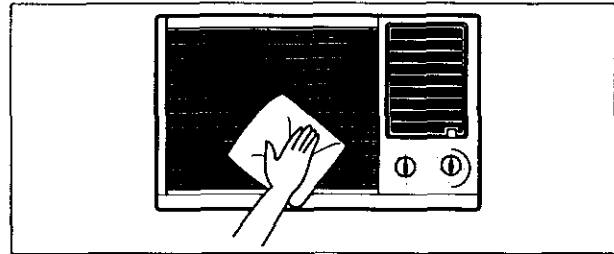
- Abra la rejilla de entrada de aire hacia arriba tirando de la parte inferior de esta rejilla.
- Saque el filtro del aire del conjunto de la rejilla frontal tirando ligeramente del filtro del aire hacia arriba.
- Lave el filtro del aire en agua tibia a menos de 104°F (40°C).
- Asegúrese de eliminar toda el agua sacudiendo suavemente el filtro. Vuelva a ponerlo en su posición.



LIMPIEZA DEL EQUIPO DE AIRE ACONDICIONADO

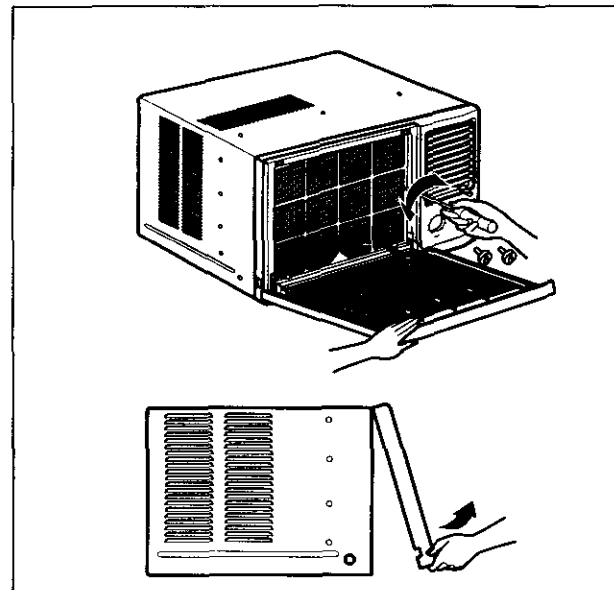
La rejilla frontal y la rejilla de entrada del aire pueden lavarse con un paño humedecido en una solución de detergente suave. El gabinete puede lavarse con un jabón o detergente suave y agua tibia, seguidamente puede pulirse con cera líquida especial para electrodomésticos.

Para asegurar una eficiencia máxima continua, los serpentines del condensador (el lado de la unidad que está expuesto a la intemperie) deben revisarse periódicamente y limpiarse si están obstruidos con hollín o con sucio de la atmósfera.



CÓMO SACAR LA REJILLA FRONTAL

- Saque la perilla del TEMP y la perilla de MODE tirando de ellas.
- Saque el tornillo que mantiene la rejilla frontal en posición.
- Empuje la rejilla hacia arriba de abajo y jale la parte de arriba de la rejilla lejos de la base para levantar las lenguetas de arriba hacia afuera de las ranuras.



CORRECCIÓN DE FALLAS

ANTES DE LLAMAR PARA SERVICIO

Cheque la siguiente lista para asegurarse si en realidad es necesario llamar para servicio. Una referencia rápida a este manual puede evitar una llamada para servicio innecesaria.

EL EQUIPO DE AIRE ACONDICIONADO NO FUNCIONA.

El enchufe no está conectado en la toma de corriente de pared.	Conecte el enchufe firmemente en la toma de corriente de pared.
El fusible está quemado o el interruptor de circuito se ha disparado.	Reemplace el fusible dañado con un fusible de acción retardada o reajuste el interruptor de circuito.
El selector del ventilador MODE está en la posición de OFF.	Ponga el selector en la posición de COOL.
La unidad se apagó al mover el control de temperatura TEMP a una graduación más cálida y regresarlo inmediatamente a una graduación más fría.	Espere aproximadamente 3 minutos. Escuche atentamente para detectar el arranque del compresor.
La unidad se apagó y se volvió a encender demasiado rápido.	Apague la unidad y espere 3 minutos antes de volver a encenderla.
El control de temperatura TEMP se ajustó más cálido que la temperatura ambiente.	Gire el control de temperatura en el sentido de las agujas del reloj hasta una graduación más fría (numero mas alto).

EL AIRE DE LA UNIDAD NO SALE BASTANTE FRÍO.

El selector a una posición más LOW COOL.	Gire el selector a una posición HIGH COOL.
El control de temperatura TEMP se ajustó demasiado cálido (numero mas bajo).	Gire el control de temperatura en el sentido de las agujas del reloj para
La temperatura ambiente está por debajo de los 70° F (21°C)	No puede producirse el enfriamiento hasta que la temperatura ambiente suba por encima de los 70° F (21°C).
El tubo sensor de temperatura está tocando el serpentín frío que está situado detrás del filtro del aire.	Enderece el tubo alejándolo del serpentín.

EL AIRE ACONDICIONADO ENFRÍA, PERO LA HABITACIÓN SE SIENTE DEMASIADO CÁLIDA; SE FORMA HIELO EN EL SERPENTÍN DE ENFRIAMIENTO DETRÁS DEL PANEL DECORATIVO FRONTAL.

La temperatura ambiente en el exterior está por debajo de los 70°F (21°C).	Para descongelar el serpentín lleve el selector a la posición FAN. Seguidamente, gire el control de temperatura TEMP en el sentido de las agujas del reloj para llevarlo hasta una graduación más cálida.
El filtro del aire puede estar sucio.	Limpie el filtro. Consulte la sección "Mantenimiento". Para descongelar, lleve el selector a la posición FAN.
El control de temperatura se ajustó demasiado frío para el enfriamiento nocturno.	Para descongelar el serpentín, lleve el selector a la posición FAN. Seguidamente ajuste el control de temperatura a una posición más cálida.

EL AIRE ACONDICIONADO ENFRÍA, PERO LA HABITACIÓN SE SIENTE DEMASIADO CÁLIDA; NO SE FORMA HIELO EN EL SERPENTÍN DE ENFRIAMIENTO DETRÁS DEL PANEL DECORATIVO FRONTAL..

El filtro del aire está sucio con lo que se restringe el flujo del aire.	Limpie el filtro del aire. Consulte la sección "Mantenimiento".
El control de temperatura TEMP se graduó en posición demasiado cálida.	Gire el control de temperatura en el sentido de las agujas del reloj para llevarlo a una graduación más fría.
La parte frontal de la unidad está bloqueada por cortinas, persianas, muebles etc. que restringen la distribución del aire.	Elimine el bloqueo enfrente de la unidad.
Las puertas, ventanas, rejillas de calefacción, etcétera, están abiertas con lo que se permite el escape del aire frío.	Cierre las puertas, ventanas, rejillas de calefacción, etcétera.
La unidad acaba de encenderse en una habitación caliente.	Permita que transcurra un poco más de tiempo para eliminar el "calor almacenado" en las paredes, el techo, el piso y los muebles.

EL EQUIPO DE AIRE ACONDICIONADO SE APAGA Y SE ENCIENDE RÁPIDAMENTE .

La temperatura exterior es extremadamente caliente.	Ajuste el ventilador FAN a alta velocidad para hacer circular el aire a través de los serpentines de enfriamiento con mayor frecuencia.
---	---

SE ESCUCHAN RUIDOS CUANDO LA UNIDAD ESTÁ ENFRIANDO.

Es el sonido del movimiento del aire.	Esto es normal. Si el ruido es demasiado fuerte, lleve el selector a una graduación FAN más baja.
El sonido del ventilador al chocar contra el agua del sistema de eliminación de humedad.	Esto es normal cuando la humedad es alta. Cierre las puertas, ventanas y rejillas de calefacción.
Vibración de la ventana; instalación deficiente.	Lea las instrucciones de instalación o consulte al instalador.

EL AGUA GOTEA DENTRO DE LA HABITACIÓN CUANDO LA UNIDAD ESTÁ ENFRIANDO.

Instalación inadecuada.	Incline ligeramente el equipo de aire acondicionado hacia la parte exterior para permitir el drenaje del agua. Lea las instrucciones de instalación o consulte al instalador.
-------------------------	---

EL AGUA GOTEA AFUERA CUANDO LA UNIDAD ESTÁ ENFRIANDO.

La unidad está extrayendo grandes cantidades de humedad de una habitación húmeda.	Esto es algo normal durante los días excesivamente húmedos.
---	---

TABLE DES MATIÈRES

TABLE DES MATIÈRES	38	Caractéristiques	46
GARANTIE	38	Utilisation du climatiseur	46
SÉCURITÉ	39	Caractéristiques du climatiseur	47
Consignes de sécurité importantes	39	ENTRETIEN	48
DEMANDE D'ÉLECTRICITÉ	40	Nettoyage du filtre à air	48
INSTALLATION	41	Nettoyage du climatiseur	48
Coffret Compact	41	Comment retirer la grille avant	48
Marche à suivre- installation	42	PROBLÈMES ET SOLUTIONS	49
Retirer le climatiseur de la fenêtre	44	Avant d'appeler le dépanneur	49
FONCTIONNEMENT	45		
Installation	45		
Pourquoi et comment	45		
Bruits normaux	45		
Capacité et temps de marche	45		

GARANTIE

GARANTIE INTÉGRALE D'UN AN SUR VOTRE CLIMATISEUR DE SALLE

Pendant un an à compter de la date d'achat, à condition que ce climatiseur soit utilisé et entretenu pour la climatisation normale d'une pièce selon les directives données dans ce guide de l'utilisateur, Sears réparera le climatiseur, gratuitement, s'il y a défaut de matière ou de main d'œuvre.

GARANTIE INTÉGRALE DE CINQ ANS SUR LE SYSTÈME FERMÉ DE RÉFRIGÉRATION

Pendant cinq ans à compter de la date d'achat, à condition que ce climatiseur soit utilisé et entretenu pour la climatisation normale d'une pièce selon les directives données dans ce guide de l'utilisateur, Sears réparera le système de réfrigération scellé (qui comprend le réfrigérant, le tuyau de raccordement et le compresseur), gratuitement s'il y a défaut de matière ou de main d'œuvre.

POUR FAIRE RÉPARER LE CLIMATISEUR DANS LE CADRE DE SERVICE APRÈS-VENTE SOUS GARANTIE IL SUFFIT TOUT SIMPLEMENT DE CONTACTER VOTRE MAGASIN SEARS OU LE CENTRE DE SERVICE APRÈS-VENTE AUX ÉTATS-UNIS.

Cette garantie ne s'applique à l'article que lorsqu'il est utilisé aux États-Unis.

Cette garantie vous donne des droits juridiques particuliers et il se peut que vous ayez d'autres droits qui varient d'un état à l'autre.

**Sears, Roebuck and Co., D/817WA,
Hoffman Estates, IL 60179 U.S.A.**

SÉCURITÉ

CONSIGNES DE SÉCURITÉ IMPORTANTES

Les consignes de sécurité ci-dessous vous indiqueront comment utiliser votre climatiseur et comment éviter de vous blesser ou d'endommager votre climatiseur de salle.

⚠ AVERTISSEMENT! POUR VOTRE SÉCURITÉ

Ne pas entreposer et ne pas utiliser de l'essence ou d'autres liquides ou vapeurs inflammables près de cet appareil ou près d'autres appareils électriques. Lire les étiquettes sur l'inflammabilité et les autres avertissements qui ont trait au climatiseur.

⚠ AVERTISSEMENT! AVERTISSEMENT! ÉVITER LES ACCIDENTS

Respecter les précautions élémentaires y compris les précautions ci-dessous afin de réduire les risques d'incendie, de choc électrique ou de blessure lorsque vous utilisez votre climatiseur.

- S'assurer que le service électrique est adéquat pour le modèle que vous avez choisi.
- Si le climatiseur va être installé dans une fenêtre, il est conseillé de laver les deux cotés des carreaux auparavant. Si vous avez une fenêtre à trois rails qui comprend une moustiquaire, il est conseillé de la retirer avant l'installation.
- S'assurer que le climatiseur a été installé correctement et solidement suivant les directives d'installation données séparément avec ce guide. Conserver ce manuel et les directives d'installation pour une lecture future éventuelle au cas où l'unité serait retirée et réinstallée.
- Pendant la manipulation du climatiseur, prendre soin de ne pas se couper avec les ailettes métalliques tranchantes qui sont sur les serpentins avant et arrière.

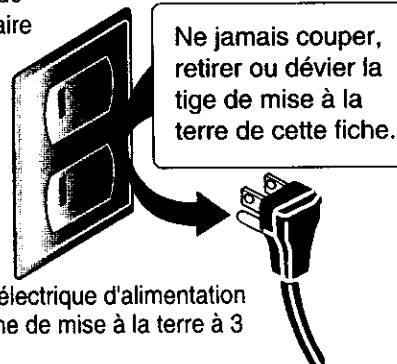
⚠ AVERTISSEMENT! INFORMATIONS SUR LE SYSTÈME ÉLECTRIQUE

La capacité nominale de votre nouveau climatiseur de salle est indiquée sur la plaque d'identification de numéro de série. Se reporter à la capacité nominale lorsque vous vérifiez les demandes d'électricité.

- S'assurer que le climatiseur est bien mis à la terre. Une bonne mise à la terre est importante afin de réduire au minimum les risques de choc électrique et d'incendie. Le cordon électrique est muni d'une fiche de mise à la terre à trois tiges qui protège contre les risques de choc électrique.
- Votre climatiseur doit être branché dans une prise murale de courant bipolaire plus terre. Si la prise que vous avez l'intention d'utiliser n'est pas correctement mise à la terre ou protégée par un disjoncteur ou un fusible temporisé, faire installer une prise convenable par un électricien qualifié.
- Ne pas faire marcher le climatiseur si la housse protectrice extérieure est en place. Ceci pourrait provoquer des dégâts mécaniques à l'intérieur du climatiseur.
- **Ne pas utiliser de rallonge électrique ou d'adaptateur de fiche.**

⚠ AVERTISSEMENT! Éviter les risques d'incendie ou les électrochocs. Ne pas utiliser de rallonge électrique ni d'adaptateur de fiche. Ne pas retirer de tige du cordon électrique.

Prise murale de courant bipolaire plus terre.



Cordon électrique d'alimentation avec fiche de mise à la terre à 3 tiges.

CONSEILS POUR RÉALISER DES ÉCONOMIES D'ÉLECTRICITÉ

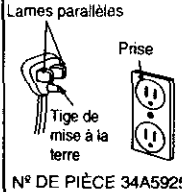



- La capacité de votre climatiseur de salle doit correspondre aux dimensions de la pièce afin d'obtenir un fonctionnement efficace et satisfaisant.
- Installer le climatiseur de salle sur la façade de votre domicile qui se trouve à l'ombre. La meilleure fenêtre est une fenêtre avec une orientation vers le nord parce qu'elle est à l'ombre une grande partie de la journée.
- Ne pas bloquer le courant de l'air à l'intérieur avec des stores, des rideaux ou des meubles ou dehors avec des arbustes, des enclos ou d'autres constructions.
- Fermer le registre de l'âtre, les arrivées d'air au sol et aux murs pour que l'air frais ne s'échappe pas par la cheminée et les conduites de chauffage.
- Fermer les stores et les rideaux des autres fenêtres pendant les heures les plus ensoleillées de la journée.
- Nettoyer le filtre à air comme indiqué à la rubrique Nettoyage et Entretien.
- Une bonne isolation et un bon calfeutrage de votre maison vous permettra de garder l'air chaud dehors et l'air frais à l'intérieur.
- Les arbres, arbustes et auvents qui ombragent l'extérieur de votre maison contribueront à réduire la charge de votre climatiseur.
- Faire fonctionner les appareils ménagers qui créent de la chaleur comme la cuisinière, la machine à laver, le séchoir à linge et le lave-vaisselle pendant les heures les plus fraîches de la journée.

DEMANDE D'ÉLECTRICITÉ

Se reporter au tableau ci-dessous pour toutes informations sur le câblage et les prises
RESPECTER TOUTES LES LOIS ET TOUS LES CODES LOCAUX

Ne jamais retirer la tige de mise à la terre d'un cordon d'alimentation électrique

Pour les modèles de 115 volts avec 0 à 12 ampères indiqué sur la plaque d'identification

DONNÉES SUR LES FICHES ET LES PRISES	TENSION DE LA PRISE (60HERTZ CA POUR TOUS LES MODÈLES)	AMPÈRES INDIQUÉES SUR LA PLAQUE D'IDENTIFICATION	UTILISER DES FUSIBLES TEMPORISÉS OU UN DISJONCTEUR	ÉPAISSEUR MINIMUM DES FILS DE LA PRISE	PRISE OU BRANCHEMENT
	115	Avec 0 à 12.0	 15	ÉPAISSEUR 14 UTILISER UNIQUEMENT DES FILS EN CUIVRE	PRISE SIMPLE UNIQUEMENT
	115	Avec 12.1 à 16.0	 20	ÉPAISSEUR 12 UTILISER UNIQUEMENT DES FILS EN CUIVRE	PRISE SIMPLE UNIQUEMENT

- Une source d'électricité à trois fils, en phase unique, de 60 hertz et en courant alternatif est nécessaire.
- Une source séparée d'électricité est nécessaire sur un circuit ayant ses propres fusibles. Ne pas mettre de fusible sur la mise à la terre / neutralisation.
- Se reporter au panneau ci-dessus pour les demandes en électricité des prises, les bonnes dimensions des fusibles et de câbles et des raccordements de câblage qui doivent se conformer à la puissance nominale du climatiseur. Ne pas utiliser de rallonge électrique.

CÂBLAGE ÉLECTRIQUE DOMESTIQUE CORRECTE

- Le respect à la lettre des directives ci-jointes est essentiel au fonctionnement sans problème du climatiseur et au coût de fonctionnement le plus économe de l'unité.
- **N'UTILISER QUE DES FUSIBLES TEMPORISÉS** (ou un disjoncteur) pour un fonctionnement en sécurité et pour éviter de faire sauter les plombs inutilement.
- **Un CÂBLAGE ÉLECTRIQUE DOMESTIQUE DE LA BONNE GROSSEUR** est nécessaire pour obtenir la tension convenable et pour ne pas surcharger le circuit. Se reporter aux données au verso. Éviter les long câblages domestiques qui peuvent provoquer une baisse de la tension en dessous de la tension indiquée sur la plaque d'identification.
- Il est préférable de ne pas brancher un **AUTRE APPAREIL** ou dispositif sur le même circuit et fusible que celui du climatiseur. Un câblage électrique qui transporte un courant électrique supérieur à la charge qu'il peut accommoder en sécurité peut faire sauter un fusible. Voir la Section- Demande d'Électricité de ce Guide.

DANGER: NE PAS UTILISER DE RALLONGE.

La dimension du cordon électrique du climatiseur est celle qui convient pour un fonctionnement sûr et efficace de votre unité. L'utilisation d'une rallonge peut provoquer une surchauffe, une perte d'électricité et faire sauter les fusibles ou le disjoncteur.

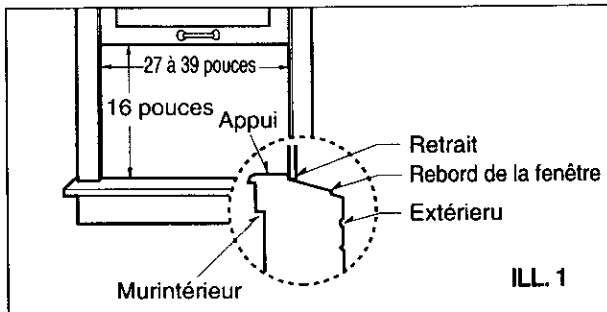
À MOINS QUE LA MÉTHODE DE NEUTRALISATION DÉCRITE CI-DESSUS SOIT RESPECTÉE VOUS N'ÊTES PAS PROTÉGÉ DES CHOCS ÉLECTRIQUES GRAVES ET MORTELS EN CAS DE COURT-CIRCUIT D'UNE PIÈCE ÉLECTRIQUE OU DU CÂBLAGE DU CLIMATISEUR.

INSTALLATION

COFFRET COMPACT

Votre climatiseur s'installe dans des fenêtres à guillotine normales avec une ouverture réelle de 686 mm à 990 mm (27 à 39 pouces) de large (ILL. 1).

Le cadre inférieur de la fenêtre doit se soulever suffisamment haut pour donner un espace vide de 406 mm (16 pouces) de hauteur. Les volets latéraux et l'arrière du climatiseur doivent disposer de suffisamment d'espace d'air pour permettre à l'air de circuler à travers le condenseur afin d'extraire la chaleur. L'arrière de l'unité doit être dehors et non dans un bâtiment ou un garage.



ILL. 1

BRANCHEMENT ÉLECTRIQUE

Vérifier votre branchement électrique.

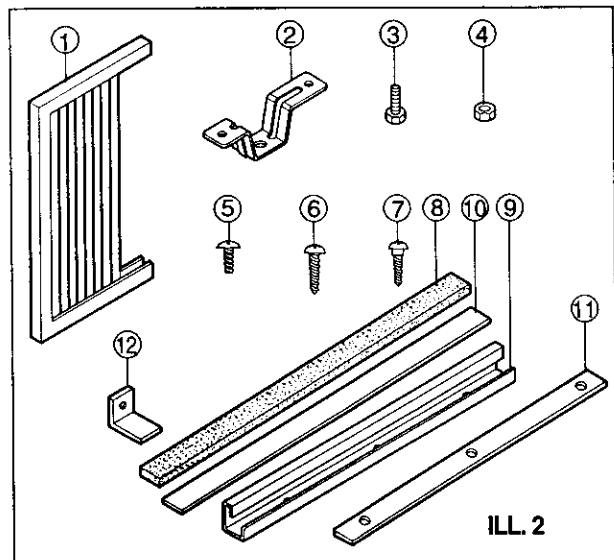
L'alimentation électrique doit être la même que celle qui est indiquée sur la plaque d'identification de l'unité (qui se trouve sur le côté droit de la caisse du climatiseur.)

Tous les modèles sont équipés de la bonne fiche à trois tiges pour un bon branchement et une mise à la terre positive et sûre. Ne jamais changer la prise d'une façon ou d'une autre. Ne pas utiliser d'adaptateur de prise. Si votre prise murale actuelle ne convient pas à la prise, faire venir un électricien qualifié qui effectuera les changements nécessaires. **CONSERVER LE CARTON** et ce **GUIDE DE L'UTILISATEUR** pour s'y reporter dans le futur. Il est vivement conseillé de ranger le climatiseur dans le carton l'hiver ou lorsqu'il n'est pas utilisé.

OUTILS NÉCESSAIRES

- Gants ajustés
- Tournevis standard
- Tournevis pour vis à fentes en croix
- Tenailles
- Couteau pointu
- Niveau de charpentier
- Clé réglable ou clé à molette de 0,93 cm (3/8 pouce)
- Règlette à six pans de 0,625 cm (1/4 pouce) et cliquet
- Mètre pour mesurer
- Perceuse électrique
- Mèche pour perceuse de 0,625 cm (1/4 pouce)

PETIT MATÉRIEL DE MONTAGE



ILL. 2

N°	NOM DE LA PIÈCE DÉTACHÉE	QUANTITÉ
1	Panneau de guidage	2
2	Support du rebord de la fenêtre	2
3	Boulon	2
4	Écrou	2
5	Vis (TYPE A): 25/64"	16
6	Vis (TYPE B): 5/8"	3
7	Vis (TYPE C): 5/8"	5
8	Bande en mousse	1
9	Dispositif supérieur de guidage	1
10	Dispositif de guidage de la caisse	1
11	Dispositif de guidage de la caisse	1
12	Support de verrouillage de fenêtre	1

ATTENTION

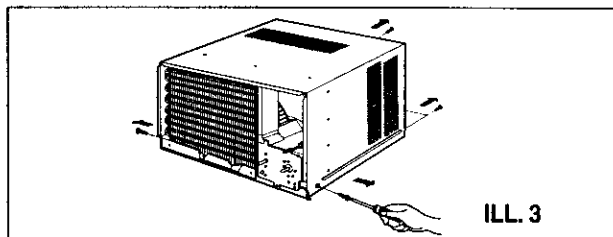
Afin d'éviter les risques de blessures, de dommages matériels ou au climatiseur provoqués par le poids de ce dernier et les bords tranchants qui seraient éventuellement exposés.

- Les climatiseurs couverts dans ce manuel posent un risque de danger de par leur poids important. Il faut deux ou plusieurs personnes pour transporter l'unité et pour l'installer. Afin d'éviter des blessures et pour ne pas faire de grands efforts, utiliser les bonnes techniques lorsque vous soulevez et transportez l'unité.
- Vérifier soigneusement l'emplacement où le climatiseur sera installé. S'assurer qu'il supportera le poids de l'unité pendant une période prolongée.
- Manipuler le climatiseur avec soins. Porter des gants de protections pour soulever et transporter l'unité. **ÉVITER** les ailettes métalliques tranchantes qui sont sur les serpentins avant et arrière.
- S'assurer que le climatiseur ne tombe pas pendant l'installation.

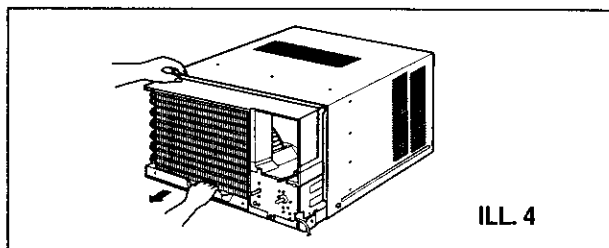
INSTALLATION

MARCHE À SUIVRE-INSTALLATION

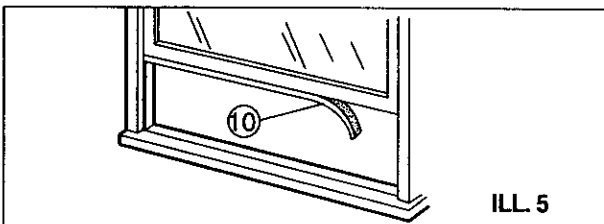
- 1** Retirer les vis qui fixent la caisse sur les deux côtés et à l'arrière.



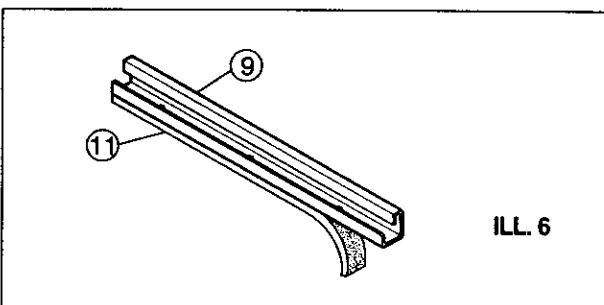
- 2** Faire glisser le climatiseur pour le faire sortir de la caisse. Bien tenir le bac de drainage par la poignée et tirer vers l'avant tout en maintenant la caisse.



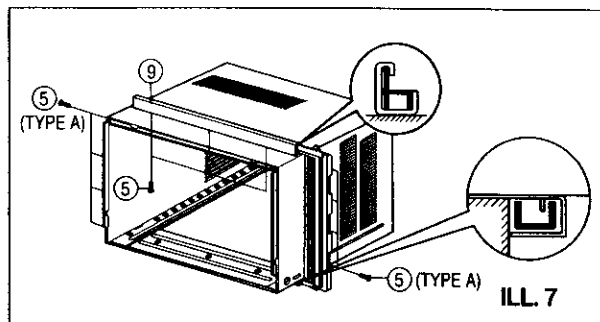
- 3** Couper l'adhésif de calfeutrage Foam-Pe (dispositif de guidage de la caisse) ⑩ aux dimensions du dessous du cadre de la fenêtre. Décoller le papier et coller l'adhésif comme indiqué à ILL.5.



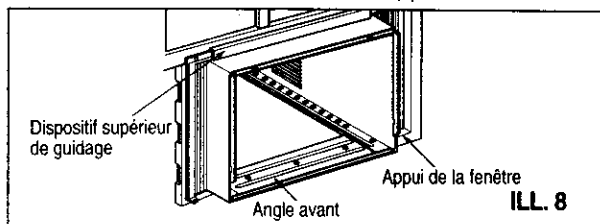
- 4** Retirer le papier de l'adhésif de calfeutrage FOAM-PE ⑪ et le coller sur le bas du dispositif supérieur de guidage ⑨



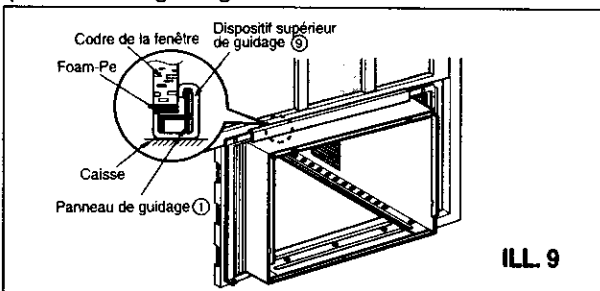
- 5** Visser le dispositif supérieur de guidage ⑨ sur le dessus du climatiseur avec la vis TYPE A ⑤. Insérer les panneaux de guidage ① dans le dispositif supérieur de guidage ⑨ et les dispositifs de guidage du climatiseur. Fixer les coulisses sur l'unité avec les vis (TYPE A) ⑤.



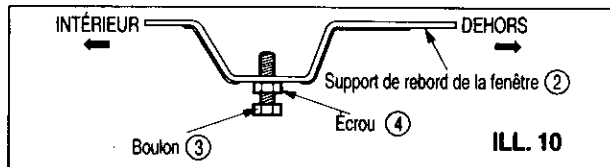
- 6** Ouvrir la fenêtre. Faire un trait au centre de l'appui de la fenêtre (ou l'emplacement voulu du climatiseur). Poser soigneusement la caisse sur l'appui de la fenêtre et aligner le trait central sur le bas avant avec le trait central tiré sur l'appui de la fenêtre.



- 7** Abaisser le panneau inférieur de la fenêtre derrière le dispositif supérieur de guidage du climatiseur jusqu'à ce qu'il bute.
Remarque: Ne pas trop abaisser le panneau de la fenêtre afin de ne pas restreindre le mouvement du panneau de guidage.



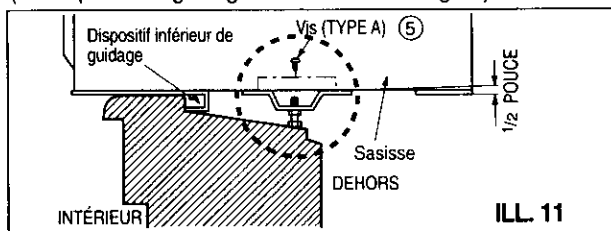
- 8** Assembler le support du rebord de la fenêtre avec les pièces illustrées à ILL. 10 sans trop les serrer.



INSTALLATION

- 9** Choisir l'emplacement qui placera le support du rebord de la fenêtre près de l'endroit sur le rebord le plus vers l'extérieur. (ILL. 11)

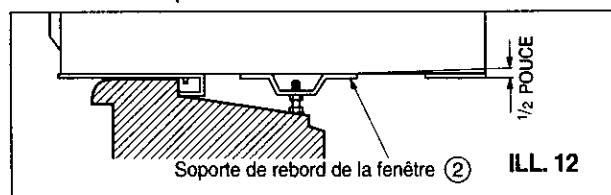
Remarque: Installer la caisse du climatiseur soigneusement (les dispositifs de guidage du châssis sont fragiles).



ILL. 11

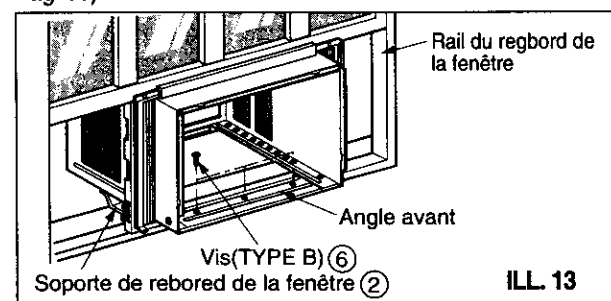
- 10** Poser le support du rebord de la fenêtre avec la caisse sur l'emplacement choisi sur le rebord de la fenêtre.

- 11** La caisse devrait être installée légèrement inclinée - environ 1.27 cm (1/2 pouce) vers l'extérieur (ILL. 12). Serrer le boulon et l'écrou du support de rebord de la fenêtre afin d'équilibrer la caisse.



ILL. 12

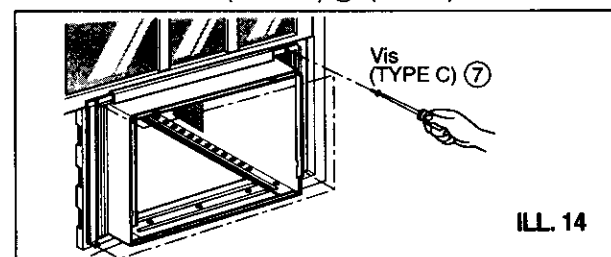
- 12** Remarque: Installer la caisse du climatiseur soigneusement (les dispositifs de guidage du châssis sont fragiles).



ILL. 13

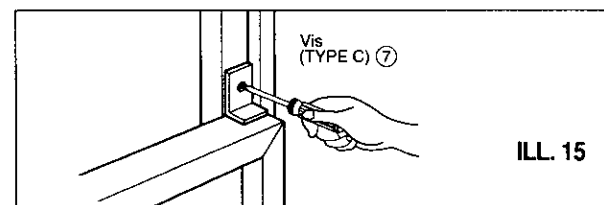
- 13** Tirer chaque panneau de guidage complètement jusqu'aux rails des cadres et répéter l'étape n° 5.

- 14** Fixer chaque panneau de guidage sur le cadre de la fenêtre avec les vis (TYPE C) ⑦. (ILL. 14).



ILL. 14

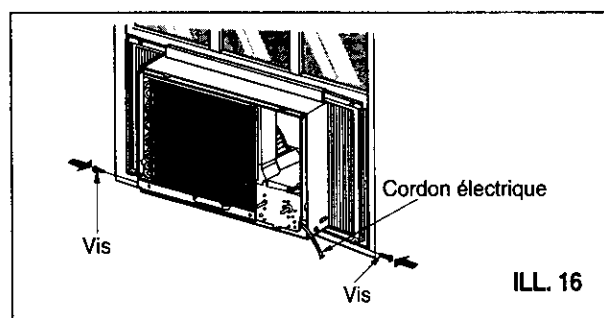
- 15** Couper la bande en mousse à la bonne longueur et l'enfoncer entre le cadre supérieur et le cadre inférieur de la fenêtre (ILL. 15)



ILL. 15

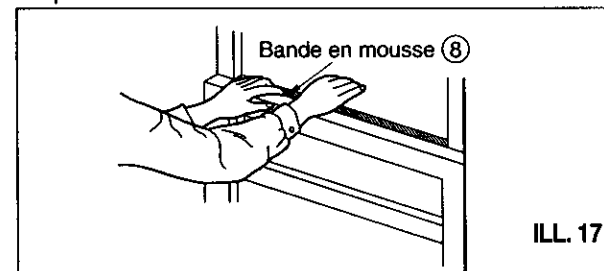
- 16** Glisser le châssis dans la caisse. (ILL. 16)

ATTENTION: Par mesure de sécurité, réinstaller les vis sur les côtés de la caisse.



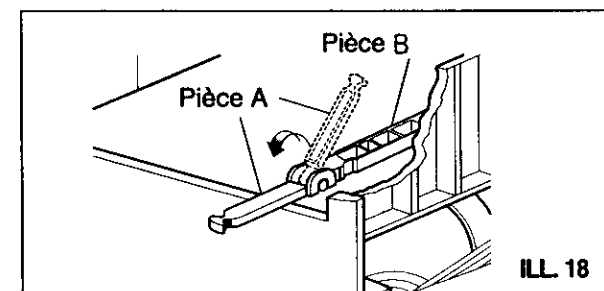
ILL. 16

- 17** Après avoir remis l'unité dans la caisse il y aura un espace d'air entre le bas de l'unité et le rebord de la fenêtre. Utiliser la bande en mousse ⑧ pour combler l'espace.



ILL. 17

- 18** Il faut installer la poignée avant de fixer le panneau décoratif avant. Avant d'utiliser la ventilation, faire un coffret de ventilation. Premièrement, abaisser la pièce (A) en ligne horizontale avec la pièce (B).

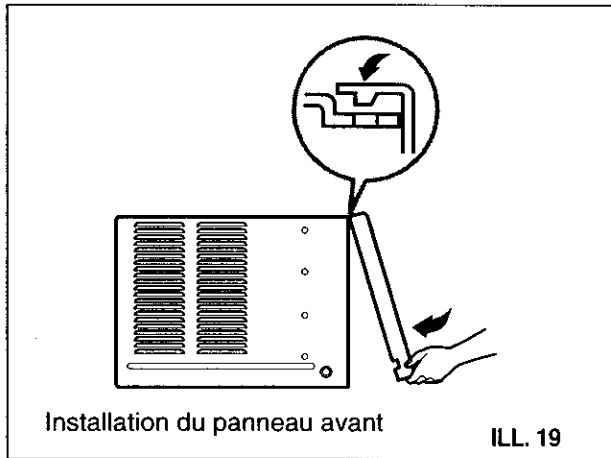


ILL. 18

INSTALLATION

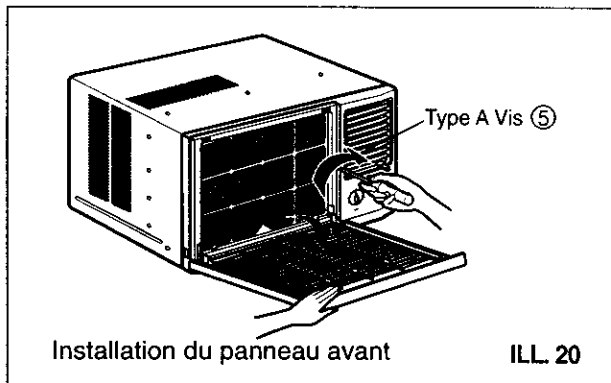
19 INSTALLATION DU PANNEAU AVANT

- Tirer et abaisser la grille avant du haut de la caisse du climatiseur. (ILL. 19)
- Pousser les pointes de la grille avant vers la caisse afin d'insérer les tirets de la grille avant dans la caisse. (ILL. 19)
- Ouvrir la grille d'arrivée d'air. (ILL. 20)
- Faire passer la vis ⑤ à travers la grille avant et la serrer dans le bac de fond. (ILL. 20)
- Fermer la grille d'arrivée d'air. (ILL. 21)



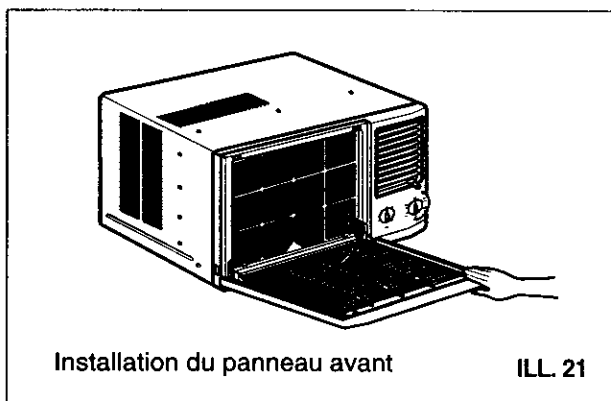
Installation du panneau avant

ILL. 19



Installation du panneau avant

ILL. 20

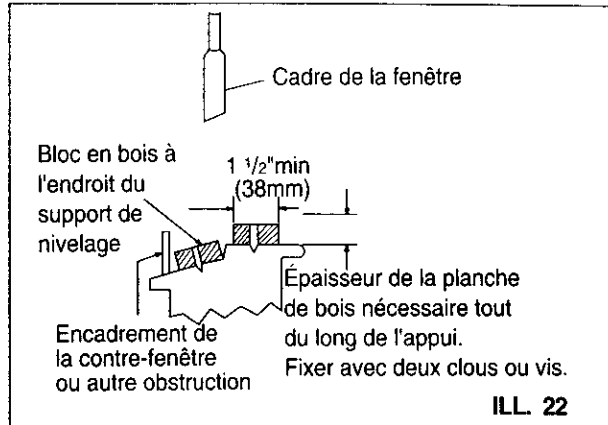


Installation du panneau avant

ILL. 21

SI LE CLIMATISEUR EST BLOQUÉ PAR UNE CONTRE-FENÊTRE

Ajouter un bloc de bois comme illustré à ILL. 22 ou retirer la contre-fenêtre pendant que le climatiseur est installé.



ILL. 22

RETIRER LE CLIMATISEUR DE LA FENÊTRE

Arrêter le climatiseur, débrancher le cordon électrique, retirer le dispositif de verrouillage des cadres ainsi que les vis installées dans le haut et le bas des panneaux coulissants et les mettre de côté pour les réinstaller dans l'avenir. Fermer les panneaux coulissants. Bien maintenir le climatiseur. Soulever le panneau et basculeur soigneusement le climatiseur vers l'arrière, en vidant l'eau qui aurait pu se condenser. Soulever le climatiseur et le sortir de la fenêtre et retirer l'adhésif de calfeutrage qui se trouve entre les cadres.

⚠ ATTENTION

- Les climatiseurs couverts dans ce manuel posent un risque de danger de par leur poids important. Il faut deux ou plusieurs personnes pour transporter l'unité et pour l'installer. Afin d'éviter des blessures et pour ne pas faire de grands efforts, utiliser les bonnes techniques lorsque vous soulevez et transportez l'unité.
- Pendant la manipulation du climatiseur, prendre soin de ne pas se couper avec les ailettes métalliques tranchantes qui sont sur les serpentins avant et arrière.
- S'assurer que le climatiseur ne tombe pas pendant l'installation.

FUNCTIONNEMENT

INSTALLATION

Choisir un emplacement qui vous permettra de souffler l'air frais dans la zone voulue. Les fenêtres utilisées pour l'installation doivent être suffisamment solides pour soutenir le poids du climatiseur. Une bonne installation avec une attention particulière au bon positionnement de l'unité diminuera l'éventualité de pannes.

Pour refroidir plusieurs pièces, l'installation est particulièrement importante puisque l'air frais ne peut pas tourner aux coins. Pour refroidir les pièces, l'air frais doit souffler en trajectoire directe à partir du climatiseur.

POURQUOI ET COMMENT

Votre climatiseur de salle effectue les fonctions suivantes afin de rendre la vie par temps chaud plus agréable.

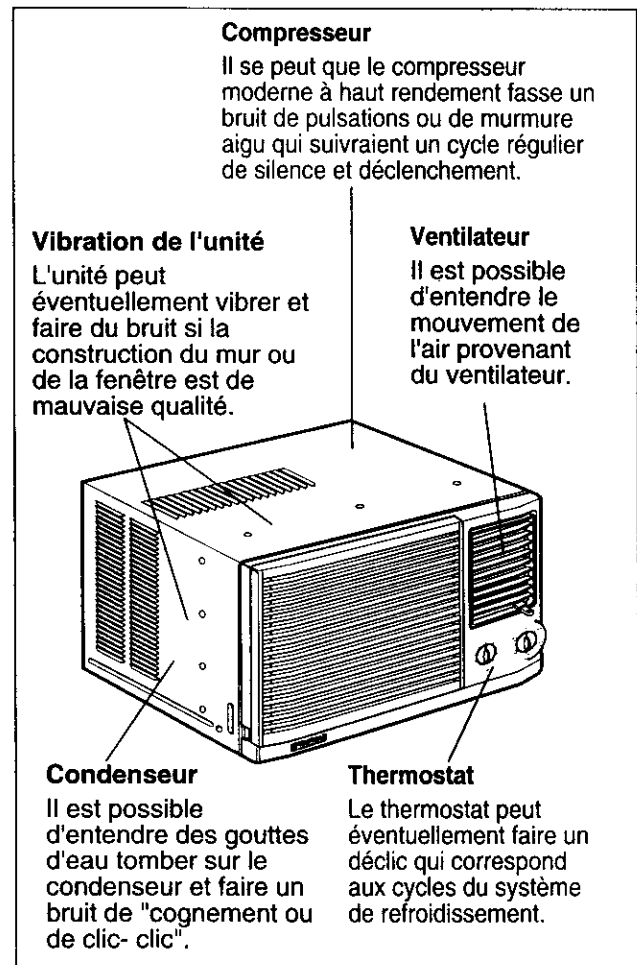
- Refroidit et fait circuler l'air de la pièce.
- Élimine l'excès d'humidité et rafraîchit donc la température ambiante.
- Filtre les poussières, saletés et certaines impuretés qui se trouvent dans l'air l'été.

Pour effectuer ces fonctions le climatiseur aspire l'air de la pièce et le fait passer par un filtre qui filtre les poussières et les impuretés. L'air passe ensuite sur un serpentin de refroidissement qui refroidit l'air et élimine l'excès d'humidité. Ce même air retourne ensuite dans la pièce - plus frais, plus sec et plus propre. L'humidité retirée de l'air de la pièce est transportée vers l'extérieur où elle s'évapore.

Votre climatiseur a été conçu pour un fonctionnement facile et pour apporter une grosse puissance de refroidissement.

BRUITS NORMAUX

Mis à part les bruits normaux du moteur du ventilateur et du compresseur qui proviendront de votre climatiseur, vous entendrez de temps à autre un léger bruit de cognement. Ce bruit est causé par l'humidité qui est extraite de l'air de la pièce et jetée contre le ventilateur du climatiseur. Ceci est normal et n'est pas inquiétant. De plus, ne pas être concerné si vous entendez un léger bruit de sifflement ou de glouglou après avoir arrêté le climatiseur. Ce sont des bruits normaux de refroidissement.



CAPACITÉ ET TEMPS DE MARCHÉ

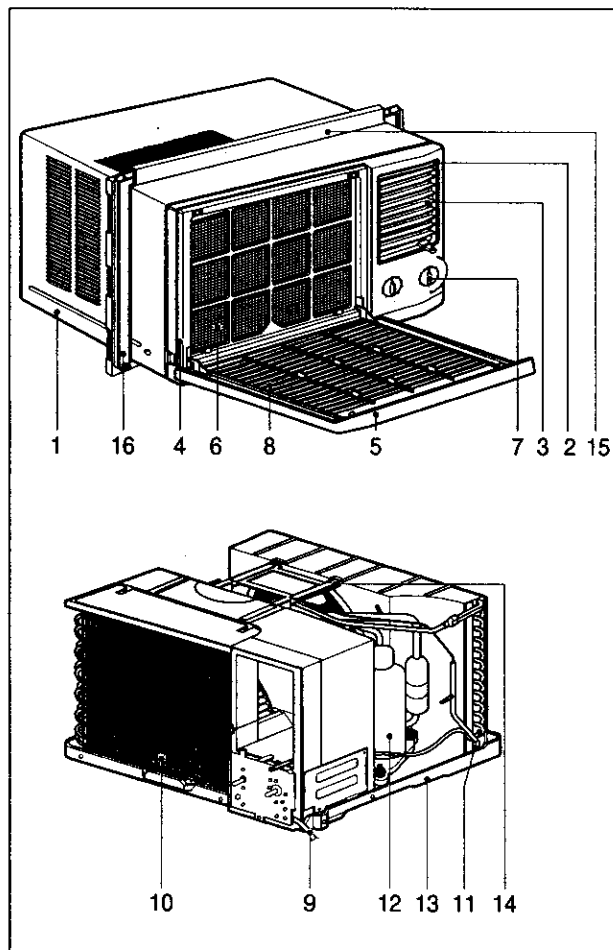
Il est important de choisir une unité de la bonne taille qui apportera le confort voulu dans la pièce que vous voulez refroidir. Une unité trop petite n'aura pas la puissance de refroidissement nécessaire et la salle sera chaude et inconfortable. La bonne dimension est déterminée par le nombre de pieds carrés de la pièce à refroidir ainsi que la température et l'humidité à l'intérieur ainsi que dehors. Une unité trop grande refroidira mais ne déshumidifiera pas et la salle sera fraîche et humide.

Quand la charge thermique est supérieure à la norme, le climatiseur doit fonctionner plus longtemps et plus souvent afin de maintenir la température choisie. Dans des conditions de charge thermique élevée, il se peut que le climatiseur ait à fonctionner continuellement afin de maintenir la température voulue.

Parfois l'air ambiant peut sembler plus confortable s'il circule bien qu'il ne soit pas refroidi si le ventilateur est réglé sur une vitesse constante et la température à quelques degrés plus élevés. Plus le climatiseur marche longtemps et plus il marche souvent, plus il utilise d'électricité et plus son utilisation est coûteuse.

FONCTIONNEMENT

CARACTÉRISTIQUES



1. Caisse
2. Déflecteur vertical d'air
(Volet horizontal)
3. Décharge d'air frais
4. Grille avant
5. Grille d'admission
6. Filtre à air
7. Bouton
8. Prise d'air
9. Cordon électrique
10. Évaporateur
11. Condenseur
12. Compresseur
13. Bac de fond
14. Support
15. Dispositif supérieur de guidage
16. Panneau de guidage

UTILISATION DU CLIMATISEUR

⚠ AVERTISSEMENT Il est **IMPORTANT** de lire les **CONSIGNES DE SÉCURITÉ** avant d'utiliser cet article afin de réduire les risques d'incendie, de choc électrique ou de blessure aux individus.

Pour mettre le climatiseur en marche, suivre ces directives:

1. Brancher la fiche du climatiseur. (Pour éliminer les risques électriques, ne pas utiliser de rallonge électrique ou d'adaptateur de fiche.)
2. Mettre le ventilateur d'évacuation en position **FERMÉ (CLOSE)**.
3. Régler la vitesse du ventilateur à la vitesse la plus élevée.
4. Régler au refroidissement (**COOL**) le plus fort.
5. Régler les volets d'aération à un écoulement d'air confortable.
6. Une fois que la pièce est refroidie, régler le Réglage de **TEMP** au réglage le plus confortable.

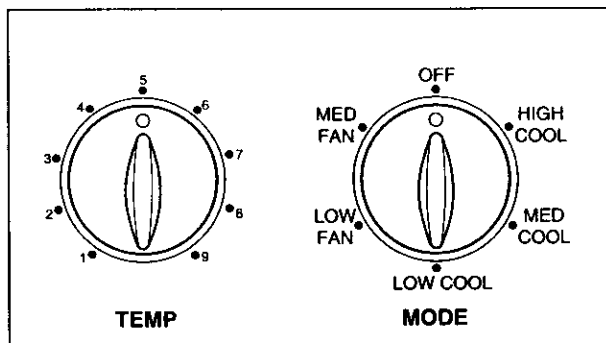
REMARQUE: Si le climatiseur est arrêté, attendre trois 3 minutes avant de le remettre en marche. Ceci permet à la pression à l'intérieur du compresseur de s'égaliser. Le non respect de ces directives pourrait causer un fonctionnement inefficace.

Voir la section **CARACTÉRISTIQUES DU CLIMATISEUR** pour les autres réglages (Voir page 47)

FONCTIONNEMENT

CARACTÉRISTIQUES DU CLIMATISEUR

Les boutons de contrôle illustrés dans ce manuel représentent bien les nombreux modèles disponibles. Il se peut que les boutons sur votre modèle soient légèrement différents.



TEMP

Le thermostat règle automatiquement la température de la pièce. Les chiffres les plus élevés correspondent à des températures ambiantes plus basses. Pour choisir la température, tourner le bouton au réglage voulu.

Le réglage 5 ou 6 correspond au réglage normal pour des conditions moyennes.

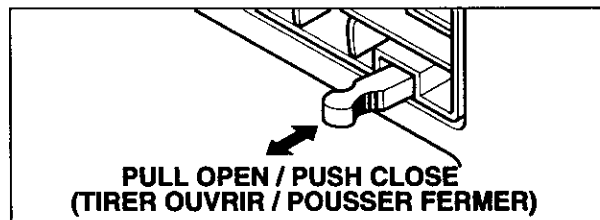
FONCTIONNEMENT

- OFF: Arrête le climatiseur
- MED FAN: Fonctionnement du ventilateur vitesse moyenne sans refroidissement
- LOW FAN: Fonctionnement du ventilateur à basse vitesse sans refroidissement
- HIGH COOL: Fonctionnement du ventilateur à haute vitesse avec refroidissement
- MED COOL: Fonctionnement du ventilateur à vitesse moyenne avec refroidissement
- LOW COOL: Fonctionnement du ventilateur à basse vitesse avec refroidissement

RÉGLAGE DES ÉVÉNEMENTS

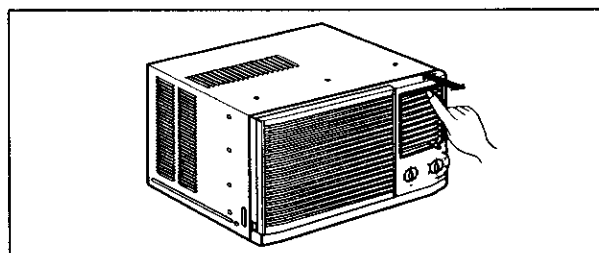
Le Réglage des Événements permet au climatiseur soit de recirculer l'air ambiant (FERMÉ - CLOSE) soit d'évacuer l'air vers l'extérieur (OUVERT - OPEN).

- La position FERMÉ (CLOSE) est utilisée quand un refroidissement maximum est désiré. Cette position peut également être utilisée pour faire recirculer l'air sans refroidissement quand le climatiseur est réglé en position FAN.
- La position OPEN retire l'air stagnant de la salle et l'évacue dehors. De l'air frais est aspiré dans la salle par les passages d'air normaux qui se trouvent dans les domiciles.
- Les positions OPEN et CLOSE peuvent être utilisées avec n'importe quel réglage de ventilateur.



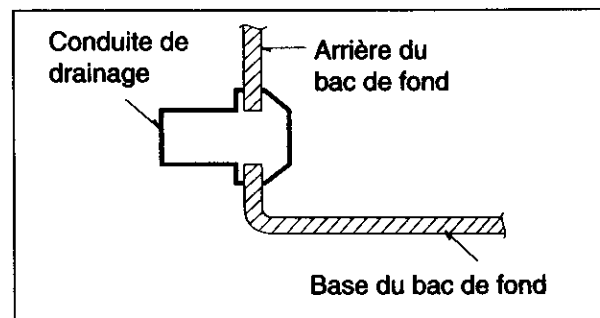
RÉGLAGE DIRECTIONNEL VERTICAL DE L'AIR

Pour régler la direction verticale de l'air, abaisser le volet horizontal vers l'avant ou vers l'arrière.



COMMENT DRAINER L'UNITÉ

Tout d'abord, s'assurer de mettre la conduite de drainage dans le bac de fond avant l'installation. Le climatiseur doit être installé légèrement incliné vers l'extérieur afin de permettre un bon drainage. Normalement le climatiseur peut vider l'eau condensée par la conduite de drainage.

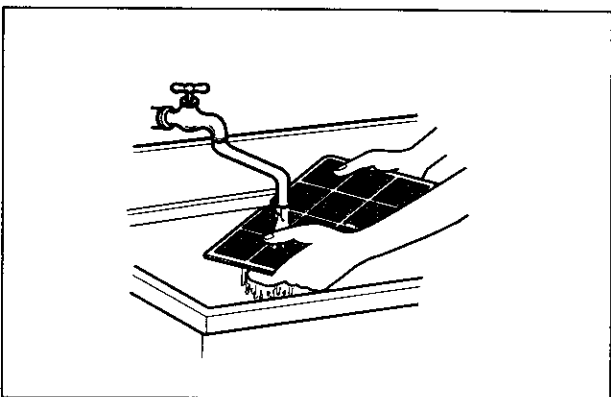
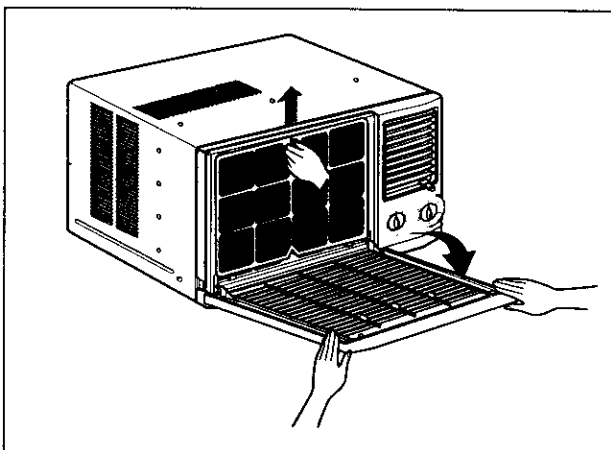


ENTRETIEN

NETTOYAGE DU FILTRE À AIR

Le filtre à air doit être vérifié au minimum deux fois par mois pour vérifier s'il doit être nettoyé. Les particules bloquées par le filtre s'accumuleront et bloqueront l'écoulement de l'air. Ceci diminue la capacité de refroidissement et provoque une accumulation de givre sur les serpentins de refroidissement.

- Soulever légèrement le filtre à air afin de le retirer de la grille d'admission.
- Laver le filtre à air dans de l'eau tiède 40°C (104°F). Prendre soin de bien secouer le filtre pour faire tomber l'eau avant de le remettre en place
- Secouer doucement le filtre pour faire tomber l'excès d'eau. Remettre le filtre en place.

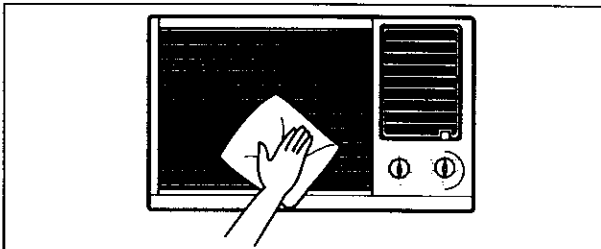


NETTOYAGE DU CLIMATISEUR

On peut essuyer la grille avant et la grille d'admission avec un chiffon légèrement mouillé dans une solution d'eau et de détergent doux.

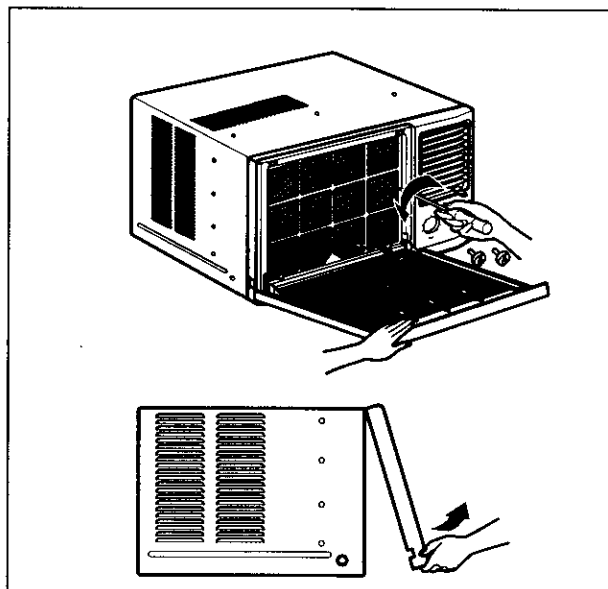
La caisse peut être lavée avec un savon doux ou avec de l'eau tiède et du détergent et cirée ensuite avec une cire liquide pour meubles électroménagers.

Afin d'assurer l'efficacité maximum de l'unité, il faut vérifier à intervalles réguliers les serpentins du condenseur (partie extérieure de l'unité) et les nettoyer s'ils sont bouchés par des saletés ou des poussières de l'atmosphère.



COMMENT RETIRER LA GRILLE AVANT

- Tirer sur le bouton du TEMP et sur le bouton de MODE en marche afin de les retirer.
- Retirer la vis qui fixe la grille avant.
- Soulever la grille du bas et tirer le haut de la grille en l'éloignant de la caisse pour faire sortir les tirets supérieurs de leurs fentes.



PROBLÈMES ET SOLUTIONS

AVANT D'APPELER LE DÉPANNÉUR

Vérifier la liste suivante pour s'assurer qu'il est vraiment nécessaire d'appeler un technicien. Un coup d'œil rapide sur ce manuel ainsi que la lecture des informations supplémentaires sur les points à vérifier peuvent éviter le déplacement inutile d'un dépanneur.

LE CLIMATISEUR NE FONCTIONNE PAS.

La fiche est débranchée de la prise murale.	Bien enfoncer la fiche dans la prise murale.
Un fusible ou le disjoncteur de la maison ont sauté.	Remplacer le fusible avec un fusible temporisé ou remettre le disjoncteur en marche.
Le réglage du MODE est sur ARRÊT (OFF).	Régler le MODE à la vitesse de COOL désirée.
Le climatiseur est arrêté. Le réglage de la TEMP a été mis en position de température plus chaude et immédiatement baissé à un réglage de température plus fraîche ce qui arrête le climatiseur.	Attendre environ 3 minutes. Attendre d'entendre le compresseur avant de le remettre en route.
	Apague la unidad y espere 3 minutos antes de volver a encenderla.
Le réglage de la TEMP est réglé à une température plus douce que la température ambiante de la pièce.	Tourner le bouton de réglage de la TEMP dans le sens horaire à une température plus fraîche (ligne épaisse).

L'AIR QUI SORT DE L'UNITÉ NE SEMBLE PAS ASSEZ FROID.

Tourner le bouton de réglage à une vitesse de LOW COOL plus élevée.	Gire el selector a una posición HIGH COOL.
Le réglage de la TEMP est sur une température trop chaude (ligne fine).	Tourner le bouton de réglage de la TEMP dans le sens horaire à une température plus fraîche (ligne épaisse).
La température de la pièce est inférieure à 21° C (70° F).	Il se peut qu'il n'y ait pas de refroidissement avant que la température de la pièce ne soit supérieure à 21° C (70° F).
Le tube du thermomètre touche le serpentin froid situé derrière le filtre à air	Redresser le tube afin de l'éloigner du serpentin.

LE CLIMATISEUR REFROIDIT MAIS LA PIÈCE EST TROP CHAUDE – IL Y A ACCUMULATION DE GIVRE SUR LE SERPENTIN DE REFROIDISSEMENT DERRIÈRE LE PANNEAU DÉCORATIF AVANT.

La température extérieure est inférieure à 21°C(70°F).	Pour dégivrer le serpentin, mettre le sélecteur sur FAN. Ensuite, tourner le bouton du réglage de la TEMP dans le sens horaire à une température plus élevée (ligne fine).
Le filtre à air est peut-être sale.	Nettoyer le filtre. Se reporter à la section Entretien et Nettoyage. Pour dégivrer le serpentin, mettre le sélecteur sur FAN.
El control de TEMP se ajustó demasiado frío para el enfriamiento nocturno.	Para descongelar el serpentin, lleve el selector a la posición FAN. Seguidamente ajuste el control de temperatura a una posición más cálida.

LE CLIMATISEUR REFROIDIT MAIS LA PIÈCE EST TROP CHAUDE – IL N'Y A PAS DE GIVRE SUR LE SERPENTIN DE REFROIDISSEMENT DERRIÈRE LE PANNEAU AVANT DÉCORATIF.

Le filtre à air est sale – l'écoulement de l'air est obstrué.	Nettoyer le filtre. Se reporter à la section Entretien et Nettoyage.
Le bouton du réglage de la TEMP est sur une température trop chaude.	Tourner le bouton de réglage de la TEMP dans le sens horaire à une température plus fraîche (ligne épaisse).
Les volets de direction de l'air ne sont pas positionnés correctement.	Orienter les volets de façon à mieux distribuer l'air.
L'avant de l'unité est bloquée par des rideaux, des stores, des meubles ou autres ce qui restreint la distribution de l'air.	Éliminer l'obstruction de l'air devant l'unité.
Des portes, fenêtres, registres, etc. sont ouverts et laissent l'air frais s'échapper.	Fermer les fenêtres, portes, registres, etc.
L'unité vient d'être mise en route dans une pièce chaude.	Attendre que la "chaleur stockée" dans les murs, plafonds, planchers et meubles soit éliminée.

LE CLIMATISEUR SE MET EN MARCHÉ ET S'ARRÊTE RAPIDEMENT.

La température extérieure est extrêmement élevée.	Mettre le MODE en vitesse rapide pour que l'air passe sur les serpentins de refroidissement plus souvent.
---	---

BRUITS LORSQUE L'UNITÉ REFROIDIT

Bruits de mouvements d'air. Ceci est normal.	Si ces bruits sont trop forts, mettre le sélecteur à un réglage inférieur du LOW.
Bruits du ventilateur qui cogne contre le système d'élimination d'eau - humidité. Vibración de la ventana; instalación deficiente.	Ceci est normal lorsque l'humidité est élevée. Fermer les portes, fenêtres et registres.
Vibrations de la fenêtre- mauvaise isolation.	Se reporter aux directives d'installation ou consulter l'installateur.

EAU QUI GOUTTE À L'INTÉRIEUR LORSQUE L'UNITÉ REFROIDIT.

Mauvaise isolation.	Basculer l'unité légèrement vers l'arrière pour permettre à l'eau de s'écouler. Se reporter aux directives d'installation; consulter l'installateur.
---------------------	--

EAU QUI GOUTTE DEHORS LORSQUE L'UNITÉ REFROIDIT.

L'unité retire de grande quantité d'humidité de la pièce humide.	Ceci est normal en période très humide.
--	---

MEMO

MEMO

For in-house major brand repair service:

Call 24 hours a day, 7 days a week

1-800-4-MY-HOMESM (1-800-469-4663)

Para pedir servicio de reparación a domicilio – **1-800-676-5811**



In Canada for all your service and parts needs call – **1-800-665-4455**

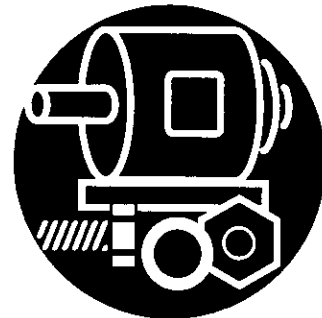
Au Canada pour tout le service ou la commande de pièces – **1-800-665-4455**

For the repair or replacement parts you need delivered directly to your home:

Call 7 am – 7 pm, 7 days a week

1-800-366-PART (1-800-366-7278)

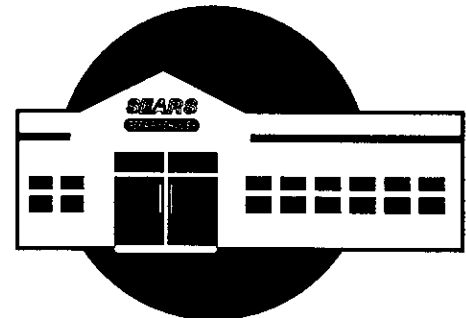
Para ordenar piezas con entrega a domicilio – **1-800-659-7084**



For the location of a Sears Parts and Repair Center in your area:

Call 24 hours a day, 7 days a week

1-800-488-1222



For information on purchasing a Sears Maintenance Agreement or to inquire about an existing Agreement:

Call 9 am – 5 pm, Monday – Saturday

1-800-827-6655



The Service Side of SearsSM