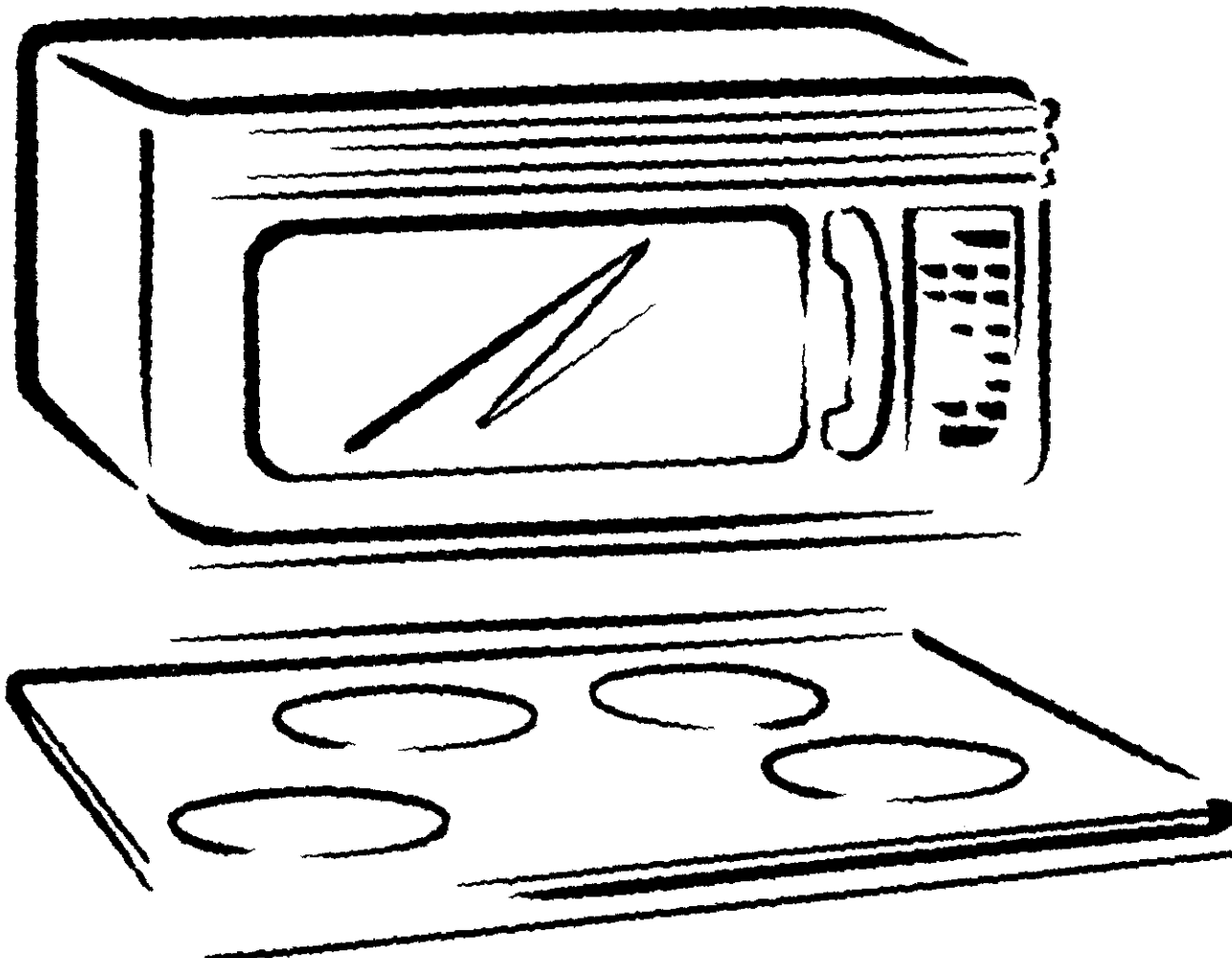




Owner's Guide Guía del usuario



Microwave Hood Combination Combinación Microondas Campana

Warranty	2	Caring for Your Microwave Oven	33
Sears Service	2	Cooking Guide	36
Microwave Oven Safety	3-5	Questions and Answers	38
Installation Instructions	6	Troubleshooting	39
Getting to Know Your Microwave Oven	8	Index	41
Using Your Microwave Oven	20	Sección en Español	43
		Sears Toll-Free Numbers	88

Microwave Oven Warranty

FULL ONE-YEAR WARRANTY ON MICROWAVE OVEN

For one year from the date of purchase, if this Kenmore Microwave Oven fails due to a defect in material or workmanship, Sears will repair it free of charge.

FULL FIVE-YEAR WARRANTY ON THE MAGNETRON

For five years from the date of purchase, if the magnetron in this Kenmore Microwave Oven fails due to a defect in material or workmanship, Sears will repair it free of charge.

The above warranty coverage applies only to Microwave Ovens which are used for private household purposes.

WARRANTY SERVICE IS AVAILABLE BY SIMPLY CONTACTING THE NEAREST SEARS STORE OR SERVICE CENTER IN THE UNITED STATES.

This warranty applies only while this product is in use in the United States.

This warranty gives you specific legal rights, and you may also have other rights which vary from state to state.

Sears, Roebuck and Co.,
Dept. 817WA,
Hoffman Estates, IL 60179

For service call:
1-800-4-REPAIR
1-800-473-7247

Sears Service

“We service what we sell”

“We service what we sell” is our assurance to you that you can depend on Sears for service because Sears Service is nationwide.

Your Sears Kenmore Microwave Oven has added value when you consider that Sears has a service unit near you, staffed by Sears Trained Technicians – professional technicians specifically trained on Sears Kenmore Microwave Ovens, having the parts, tools, and equipment to insure that we meet our pledge to you – “We service what we sell!”

To further add to the value of your microwave oven, buy a Sears Maintenance Agreement.

Sears Kenmore Microwave Ovens are designed, manufactured, and tested for years of dependable operation. Yet, any modern appliance may require service from time to time. A Sears Maintenance Agreement is more than an extension of the Warranty. It provides complete protection from unexpected repair bills and undue inconvenience. It assures you of maximum efficiency from your Microwave Oven.

Here's a comparative Warranty and Maintenance Agreement chart showing you the benefits of a Sears Microwave Oven Maintenance Agreement.

YEARS OF OWNERSHIP COVERAGE	1ST YR.	2ND YR. THRU 5TH YR.
Replacement of defective parts other than magnetron	W	MA
Replacement of magnetron	W	W
Annual preventative maintenance check at your request	MA	MA

W – WARRANTY

MA – MAINTENANCE AGREEMENT

Contact your Sears salesperson or local Sears Service Center today and purchase a Sears Maintenance Agreement.

Keep this book and the sales slip together in a safe place for future reference.

Microwave Oven Safety

Your safety and the safety of others is very important.

We have provided many important safety messages in this manual and on your appliance. Always read and obey all safety messages.



This is the safety alert symbol.

This symbol alerts you to hazards that can kill or hurt you and others.

All safety messages will be preceded by the safety alert symbol and the word "DANGER" or "WARNING." These words mean:

⚠ DANGER

You will be killed or seriously injured if you don't follow instructions.

⚠ WARNING

You can be killed or seriously injured if you don't follow instructions.

All safety messages will identify the hazard, tell you how to reduce the chance of injury, and tell you what can happen if the instructions are not followed.

IMPORTANT SAFETY INSTRUCTIONS

When using electrical appliances basic safety precautions should be followed, including the following:

WARNING – To reduce the risk of burns, electric shock, fire, injury to persons or exposure to excessive microwave energy:

- Read all instructions before using the microwave oven.
- Read and follow the specific "PRECAUTIONS TO AVOID POSSIBLE EXPOSURE TO EXCESSIVE MICROWAVE ENERGY" found in this section.
- The microwave oven must be grounded. Connect only to properly grounded outlet. See "GROUNDING INSTRUCTIONS" found at the end of this section.
- Install or locate the microwave oven only in accordance with the provided installation instructions.
- Some products such as whole eggs and sealed containers – for example, closed glass jars – may explode and should not be heated in the microwave oven.
- Use the microwave oven only for its intended use as described in this manual. Do not use corrosive chemicals or vapors in the microwave oven. This type of oven is specifically designed to heat, cook, or dry food. It is not designed for industrial or laboratory use.
- As with any appliance, close supervision is necessary when used by children.
- Do not operate the microwave oven if it has a damaged cord or plug, if it is not working properly, or if it has been damaged or dropped.
- The microwave oven should be serviced only by qualified service personnel. Call an authorized service company for examination, repair or adjustment.
- Do not cover or block any openings on the microwave oven.
- Do not store the microwave oven outdoors. Do not use the microwave oven near water – for example, near a kitchen sink, in a wet basement, or near a swimming pool, and the like.
- Do not immerse cord or plug in water.
- Keep cord away from heated surfaces.
- Do not let cord hang over edge of table or counter.
- See door surface cleaning instructions in the "Caring for Your Microwave Oven" section.
- Do not mount over a sink.
- Do not store anything directly on top of the microwave oven when the microwave oven is in operation.

– SAVE THESE INSTRUCTIONS –

continued on next page

IMPORTANT SAFETY INSTRUCTIONS

- To reduce the risk of fire in the oven cavity:
 - Do not overcook food. Carefully attend the microwave oven if paper, plastic, or other combustible materials are placed inside the oven to facilitate cooking.
 - Remove wire twist-ties from paper or plastic bags before placing bag in oven.
 - If materials inside the oven should ignite, keep oven door closed, turn oven off, and disconnect the power cord, or shut off power at the fuse or circuit breaker panel.
 - Do not use the cavity for storage purposes. Do not leave paper products, cooking utensils, or food in the cavity when not in use.
- Suitable for use above both gas and electric cooking equipment.
- Intended to be used above ranges with maximum width of 36 inches.
- Clean Ventilating Hoods Frequently – Grease should not be allowed to accumulate on hood or filter.
- When flaming foods under the hood, turn the fan on.
- Use care when cleaning the vent-hood filter. Corrosive cleaning agents, such as lye-based oven cleaners, may damage the filter.

– SAVE THESE INSTRUCTIONS –

PRECAUTIONS TO AVOID POSSIBLE EXPOSURE TO EXCESSIVE MICROWAVE ENERGY

- (a) Do not attempt to operate this oven with the door open since open-door operation can result in harmful exposure to microwave energy. It is important not to defeat or tamper with the safety interlocks.
- (b) Do not place any object between the oven front face and the door or allow soil or cleaner residue to accumulate on sealing surfaces.
- (c) Do not operate the oven if it is damaged. It is particularly important that the oven door close properly and that there is no damage to the:
 - (1) door (bent),
 - (2) hinges and latches (broken or loosened),
 - (3) door seals and sealing surfaces.
- (d) The oven should not be adjusted or repaired by anyone except properly qualified service personnel.

Electrical requirements

Observe all governing codes and ordinances. A 120 Volt, 60 Hz, AC only, 15 or 20 amp fused electrical supply is required. (A time-delay fuse is recommended.) It is recommended that a separate circuit serving only this appliance be provided.

⚠ WARNING



Electrical Shock Hazard

Plug into a grounded 3 prong outlet.
Do not remove ground prong.
Do not use an adapter.
Do not use an extension cord.
Failure to follow these instructions can result in death, fire, or electrical shock.

GROUNDING INSTRUCTIONS

For all cord connected appliances:

The microwave oven must be grounded. In the event of an electrical short circuit, grounding reduces the risk of electric shock by providing an escape wire for the electric current. The microwave oven is equipped with a cord having a grounding wire with a grounding plug. The plug must be plugged into an outlet that is properly installed and grounded.

WARNING: Improper use of the grounding can result in a risk of electric shock.

Consult a qualified electrician or serviceman if the grounding instructions are not completely understood, or if doubt exists as to whether the microwave oven is properly grounded.

Do not use an extension cord. If the power supply cord is too short, have a qualified electrician or serviceman install an outlet near the microwave oven.

For a permanently connected appliance:

This microwave oven must be connected to a grounded, metallic, permanent wiring system, or an equipment grounding conductor should be run with the circuit conductors and connected to the equipment grounding terminal or lead on the microwave oven.

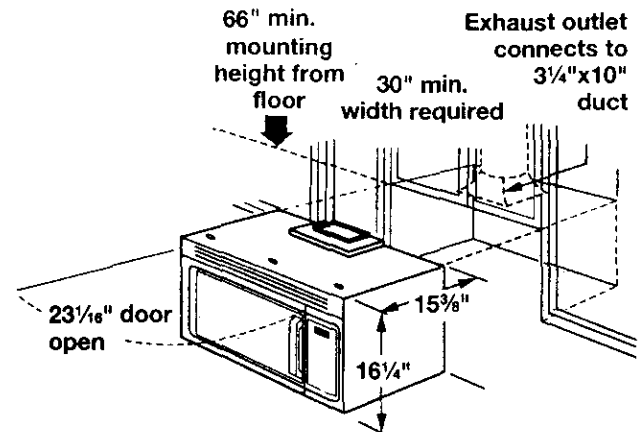
Installation Instructions

Space requirements

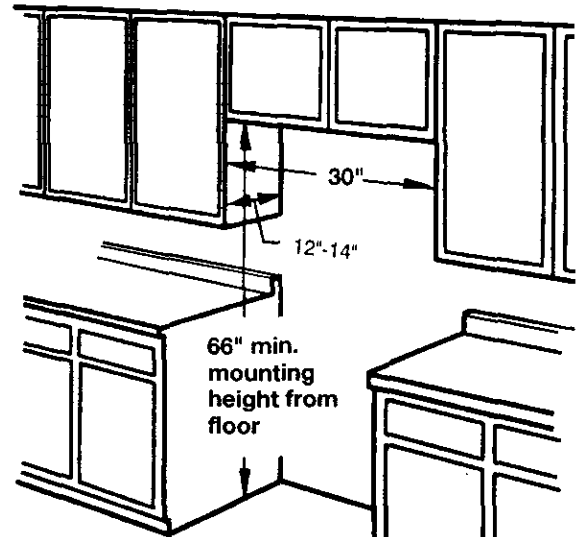
NOTE: There must be at least one wall stud within cabinet opening.

Check the opening where the microwave oven hood will be installed. The location must provide:

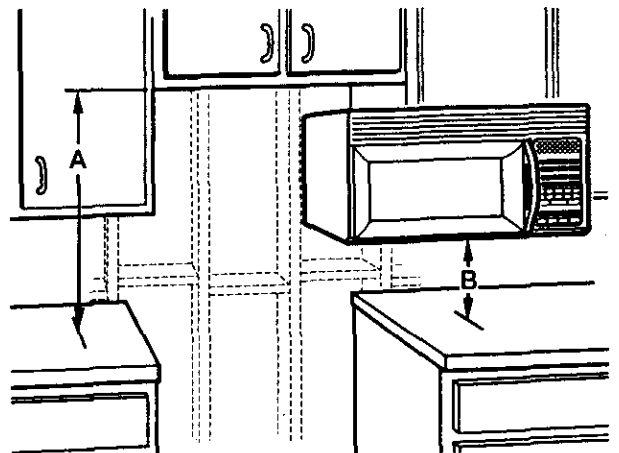
- 2 inch x 4 inch wood studding and $\frac{3}{8}$ inch thickness drywall or plaster lath
- Support for microwave oven hood weight of 150 pounds plus the weight of items placed in the oven or upper cabinet
- 30 inch wide minimum opening
- $13\frac{1}{2}$ inch clearance between the bottom of microwave oven hood and the cooktop
- Protection from draft areas, such as windows, doors, and strong heating vents
- Grounded electrical outlet (see "Electrical requirements" in the "Microwave Oven Safety" section)



Shipped ready for ventless (recirculating) operation, converts to top or rear discharge.



CRITICAL DIMENSIONS	
A	30" min. from cooking surface (or countertop) below microwave oven to top of wall mounting bracket
B	$13\frac{1}{2}$ " min. to cooking surface (or countertop) below microwave oven



Removing and replacing the microwave oven

⚠ WARNING

Excessive Weight Hazard

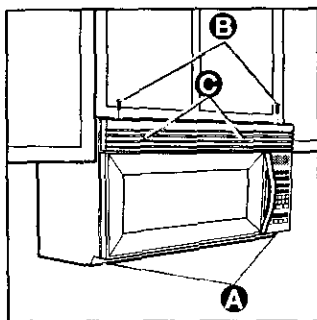
Use two or more people to move and install microwave oven.

Failure to do so can result in back or other injury.

If you need to remove your Microwave Hood Combination for any reason, follow these simple steps:

To remove:

1. Unplug microwave oven or disconnect power.
2. Remove filters and vent grille.

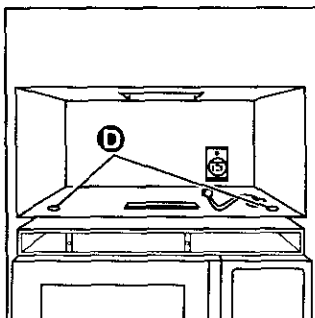


- If filters **A** are installed, push in at the tab and slide filter to the outside edge to remove.
- Remove the two screws **B** from the top of the microwave oven cabinet (the screws located closest to the front corners). Do not remove the screws

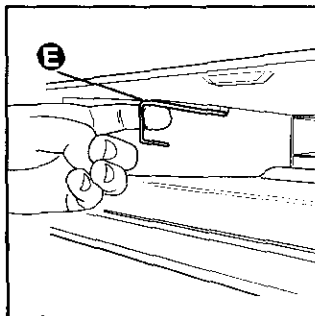
located towards the center of the cabinet.

- Remove the vent grille **C**. Set the screws and grille aside. (If grille cannot be removed, see pt. 4.)

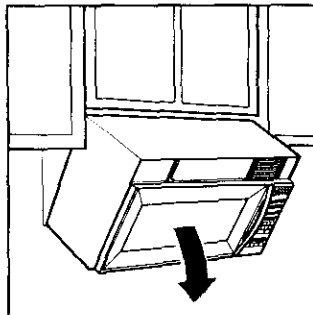
3. After removing all oven contents, including the turntable and support, tape the door in the closed position. Then remove the two bolts **D** securing the microwave oven to the upper cabinet.



4. Hold microwave hood combination in place with one hand. Pull hook **E** to release microwave hood from mounting plate. If grille cannot be removed (per instructions in pt. 2.), insert a thin looped wire or similar tool through an opening in grille to pull hook.

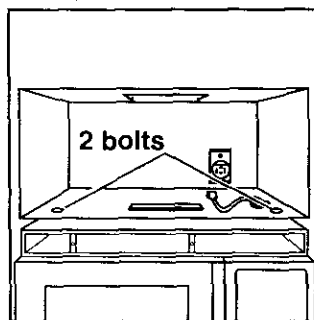


5. Grasp the microwave oven. Rotate the microwave oven downward. (Be careful that door does not swing open.) Lift off the support tabs **F** at the bottom of the mounting plate. Set the microwave oven aside on a protected surface.



To replace:

1. Carefully lift microwave oven and hang it on the support tabs at the bottom of the mounting plate.
2. Rotate the front of the microwave oven cabinet downward. Thread the power supply cord through the power supply cord hole in the bottom of the upper cabinet.
3. Rotate the microwave oven towards the cabinet. Push the microwave oven against the mounting plate until locking latch snaps into the cabinet.
4. Replace the two bolts securing the microwave oven to the upper cabinet.



5. Untape the door and replace the turntable and support.
6. Replace the vent grille.
7. Replace the two screws in the top of microwave oven cabinet (the screws located closest to front corners).
8. Re-install filters (see "Installing and caring for the filters" in the "Caring for Your Microwave Oven" section, if needed).
9. Plug in microwave oven or reconnect power.

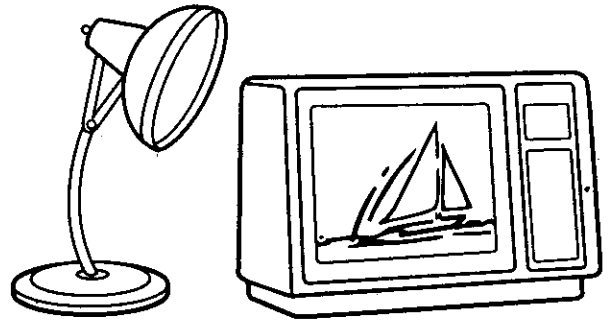
Getting to Know Your Microwave Oven

This section discusses the concepts behind microwave cooking. It also shows you the basics you need to know to operate your microwave oven. Please read this information before you use your microwave oven.

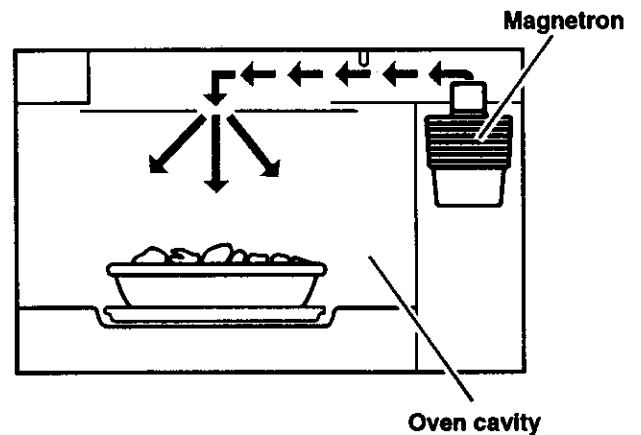
How your microwave oven works

Microwave ovens are safe. Microwave energy is not hot. It causes food to make its own heat, and it's this heat that cooks the food.

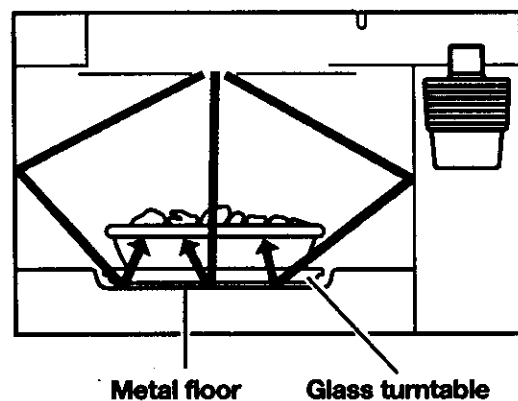
Microwaves are like TV waves or light waves. You cannot see them, but you can see what they do.



A magnetron in the microwave oven produces microwaves. The microwaves move into the oven where they contact food as it turns on the turntable.

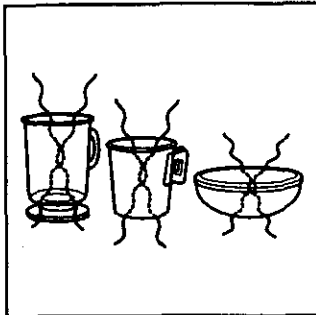


The glass turntable of your microwave oven lets microwaves pass through. Then they bounce off a metal floor, back through the glass turntable, and are absorbed by the food.



How your microwave oven works (cont.)

Microwaves pass through most glass, paper, and plastics without heating them so food absorbs the energy. Microwaves bounce off metal containers so food does not absorb the energy.



Microwaves may not reach the center of a roast.



The heat spreads to the center from the outer, cooked areas just as in regular oven cooking. This is one of the reasons for letting some foods (for example, roasts or baked potatoes) stand for a while after cooking, or for stirring

some foods during the cooking time.

The microwaves disturb water molecules in the food. As the molecules bounce around bumping into each other, heat is made, like rubbing your hands together. This is the heat that does the cooking.

NOTE: Do not deep fry in the oven. Microwavable cookware is not suitable and it is difficult to maintain appropriate deep frying temperatures.

For the best cooking results

- Always cook food for the shortest cooking time recommended. Check to see how the food is cooking. If needed, touch **ADD ONE MINUTE** while the oven is operating or after the cooking cycle is over (see the "Using **ADD ONE MINUTE**" section).
- To help make sure the food is evenly cooked, stir, turn over, or rearrange the food about halfway through the cooking time.
- If you do not have a cover for a dish, use wax paper, or microwave-approved paper towels or plastic wrap. Remember to turn back a corner of the plastic wrap $\frac{1}{4}$ to $\frac{1}{2}$ inch to vent steam during heating or cooking.

Radio interference

Using your microwave oven may cause interference to your radio, TV, or similar equipment. When there is interference, you can reduce it or remove it by:

- Cleaning the door and sealing surfaces of the oven.
- Adjusting the receiving antenna of the radio or television.

- Moving the radio or TV away from the microwave oven.
- Plugging the microwave oven into a different outlet so that the microwave oven and radio or TV are on different branch circuits.

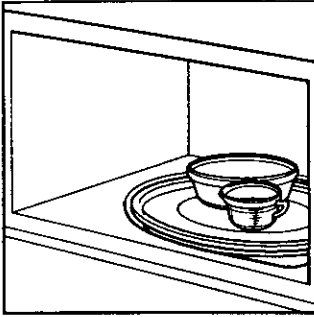
Testing your microwave oven

To test the oven put about 1 cup of cold water in a glass container in the oven. Close the door and make sure it latches. Follow the directions in "Cooking at high cook power" in the "Using Your Microwave Oven" section to set the oven to cook for 2 minutes. When the time is up, the water should be heated.



Testing your dinnerware or cookware

Test dinnerware or cookware before using.

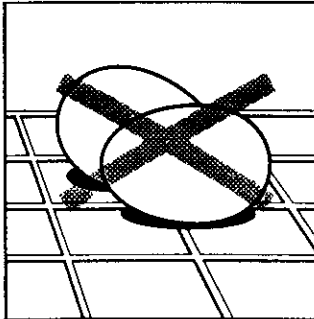


To test a dish for safe use, put it into the oven with a cup of water beside it. Cook at 100% cook power for 1 minute. **If the dish gets hot and water stays cool, do not use it.**

Some dishes (melamine, some ceramic dinnerware, etc.) absorb microwave energy, becoming too hot to handle and slowing cooking times. Cooking in metal containers not designed for microwave use could damage the oven, as could containers with hidden metal (twist-ties, foil lining, staples, metallic glaze or trim).

Operating safety precautions

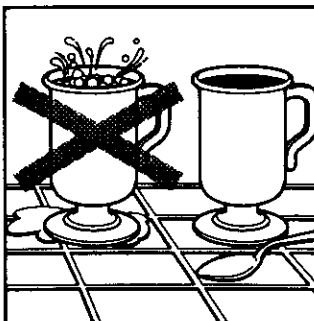
Never cook or reheat a whole egg inside the shell.



Steam buildup in whole eggs may cause them to burst and burn you, and possibly damage the oven. **Slice** hard-boiled eggs before heating. In rare cases, poached eggs have been known to explode. **Cover** poached eggs and

allow a standing time of 1 minute before cutting into them.

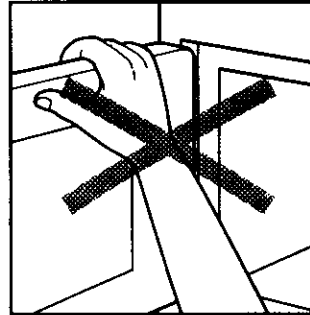
For best results, stir any liquid several times during heating or reheating.



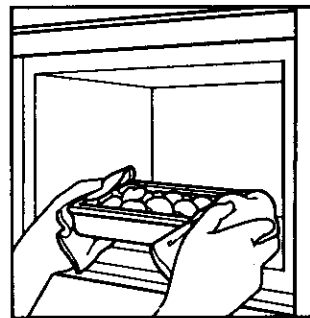
Liquids heated in certain containers (especially containers shaped like cylinders) may become overheated. The liquid may splash out with a loud noise during or after heating or when adding ingredients

(coffee granules, tea bags, etc.). This can harm the oven and possibly injure someone.

Never lean on the door or allow a child to swing on it when the door is open. Injury could result.



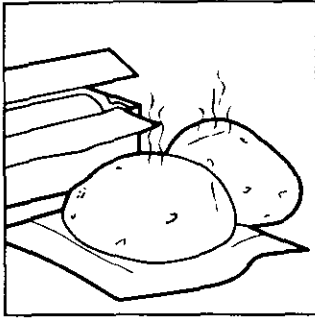
Use hot pads. Microwave energy does not heat



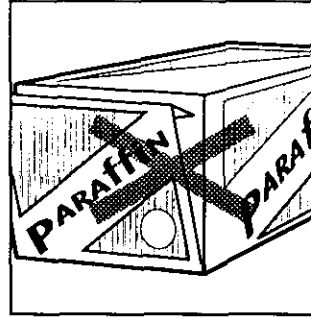
containers, but the heat from the food can make the container hot.

Operating safety precautions (cont.)

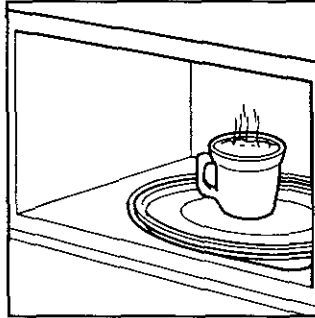
Do not overcook potatoes. Fire could result. At the end of the recommended cooking time, potatoes should be slightly firm because they will continue cooking during standing time. **After microwaving, let potatoes stand for 5 minutes.** They will finish cooking while standing.



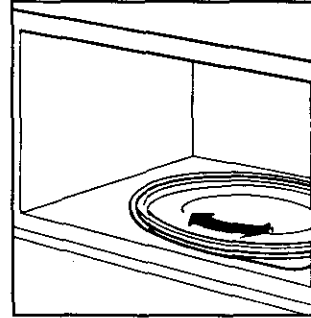
Do not try to melt paraffin wax in the oven. Paraffin wax will not melt in a microwave oven because it allows microwaves to pass through it.



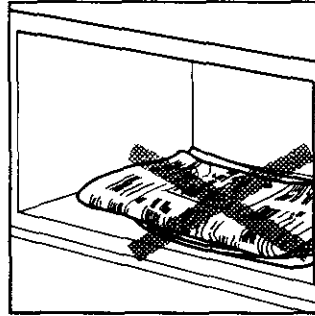
Do not start a microwave oven when it is empty. Product life may be shortened. If you practice programming the oven, **put a container of water in the oven.** It is normal for the oven door to look wavy after the oven has been running for a while.



Do not operate the microwave oven unless the glass turntable is securely in place and can rotate freely on the support rollers. The turntable can rotate in either direction. **Make sure the rollers are completely inside the center circle of the turntable;** this will let the turntable rotate properly.



Do not use newspaper or other printed paper in the oven. Fire could result. **Do not dry flowers, fruit, herbs, wood, paper, gourds, or clothes in the oven.** Fire could result.



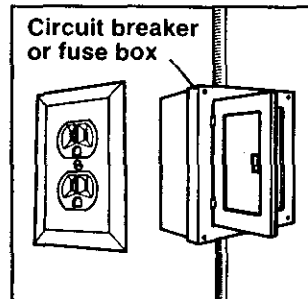
Make sure the turntable is correct-side up in the oven. **Carefully place the cookware on your turntable to avoid possibly breaking it.**

Handle your turntable with care when removing it from the oven to avoid possibly breaking it. If your turntable cracks or breaks, contact Sears for a replacement.

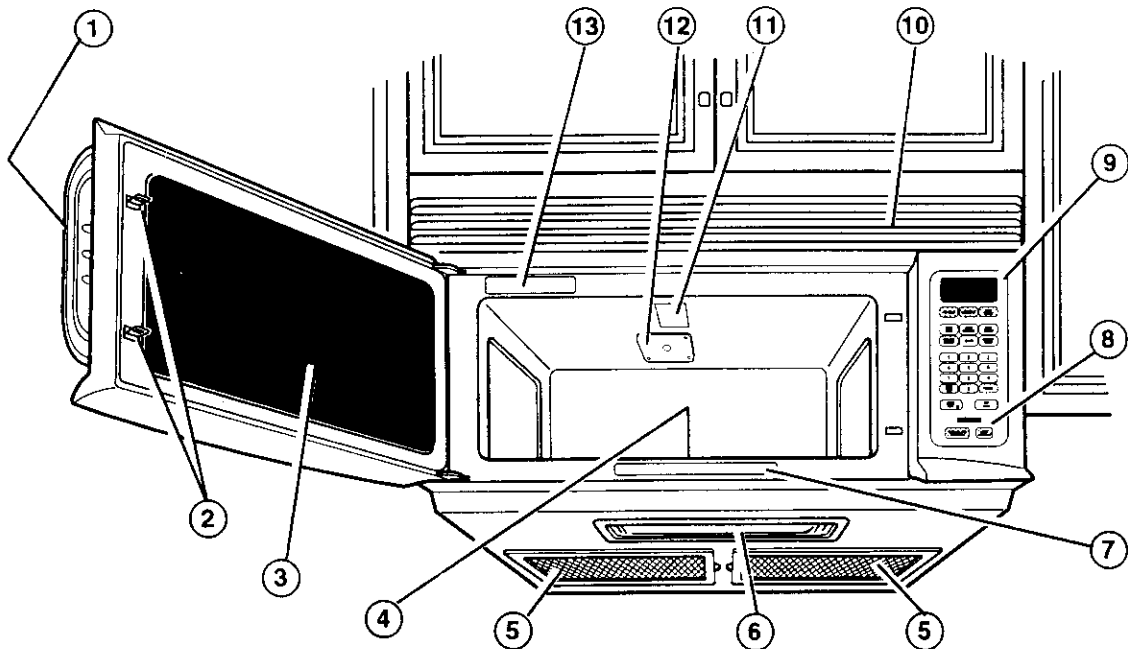
When you use a browning dish, the browning dish bottom must be at least $\frac{3}{16}$ inch (.5 cm) above the turntable. Follow the directions supplied with the browning dish.

Electrical connection

If your electric power line or outlet voltage is less than 110 volts, cooking times may be longer. Have a qualified electrician check your electrical system.



Microwave oven features



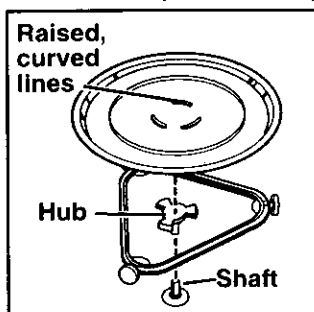
Your microwave oven is designed to make your cooking experience as enjoyable and productive as possible. To help get you up and running quickly, the following is a list of the oven's basic features:

1. **Door Handle.** Pull to open door.
2. **Door Safety Lock System.** The oven will not operate unless the door is securely closed.
3. **Window with Metal Shield.** Shield prevents microwaves from escaping. It is designed as a screen to allow you to view food as it cooks.
4. **Glass Turntable (Part No. 4393751)** (not shown). Included in oven cavity – see below for installation instructions. This turntable turns food as it cooks for more even cooking. It must be in the oven during operation for best cooking results. The turntable is sunken into the cavity floor to give you more cooking space and better cooking results. See pages 8, 11, 33, 38, and 40 for more details.

5. **Charcoal and Grease Filters.** Included in oven cavity. See page 34 for installation instructions and cleaning information.
6. **Cooktop/Countertop Light.** Turn on to light your cooktop or countertop or turn on as a night light. See page 16 for more information.
7. **Cooking Guide Label.** Use as a quick reference for Auto Cook, Auto Reheat, Auto Defrost, Popcorn, and Beverage settings.
8. **Exhaust Fan and Cooktop Light Switches.** See page 16 for more information.
9. **Control Panel.** Touch the pads on this panel to perform all functions. See pages 13-15 for more information.
10. **Vent Grille.**
11. **Oven Cavity Light.**
12. **Microwave Inlet Cover.**
13. **Model and Serial Number Plate.** See page 40 for more information.

To install turntable and support:

- Fit the hub (PN 4393754) onto the shaft.

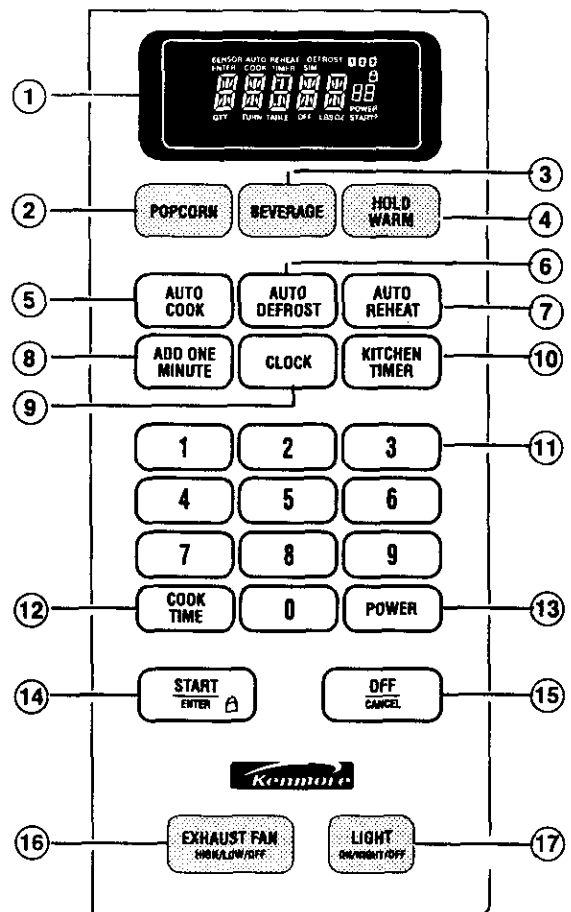


- Place the support (PN 4393752) on the cavity bottom.
- Place the turntable on the hub. Make sure the raised, curved lines in the center of the turntable bottom are between the three "spokes" of the hub.

- The rollers (PN 4393753) on the support should fit inside the ridge on the bottom of the turntable.
- The turntable turns both clockwise and counter-clockwise. This is normal.

Control panel features

1. **Display.** This display includes a clock and indicators to tell you the time of day, cooking time settings, and cooking functions you chose.
2. **POPCORN.** Touch this pad when popping popcorn in your microwave oven. The oven will automatically heat for a preset time at a preset cook power. See page 30 for more information.
3. **BEVERAGE.** Touch this pad to heat 1 or 2 cups of a beverage. The oven will automatically heat for a preset time at a preset cook power. See page 31 for more information.
4. **HOLD WARM.** Touch this pad to keep hot, cooked foods safely warm in your microwave oven for up to 99 minutes, 99 seconds. HOLD WARM can be used by itself, or it can automatically follow a cooking cycle. See page 32 for more information.
5. **AUTO COOK.** Touch this pad to cook microwavable foods without entering times and cook powers. See page 25 for more information.
6. **AUTO DEFROST.** Touch this pad to defrost frozen foods without entering times and cook powers. See page 27 for more information.
7. **AUTO REHEAT.** Touch this pad to reheat microwavable foods without entering times and cook powers. See page 26 for more information.
8. **ADD ONE MINUTE.** Touch this pad to cook for one minute, at 100% cook power, or to add an extra minute to your cooking cycle at the set cook power. See page 19 for more information.
9. **CLOCK.** Touch this pad to enter the correct time of day. See page 17 for more information.
10. **KITCHEN TIMER.** Touch this pad to set the Kitchen Timer. See page 18 for more information.
11. **Number pads.** Touch Number pads to enter cooking times, cook powers, quantities, weights, or food categories.
12. **COOK TIME.** Touch this pad followed by Number pads to set a cooking time. See pages 20, 21, and 23 for more information.
13. **POWER.** Touch this pad after the cooking time has been set, followed by a Number pad to set the amount of microwave energy released to cook the food. Also touch this pad to lengthen or shorten a preset cooking time. See pages 19 and 22 for more information.



14. **START/ENTER.** Touch this pad to start a function. See page 14 for more information.
15. **OFF/CANCEL.** Touch this pad to erase an incorrect command, cancel a program during cooking, or to clear the display. See page 14 for more information.
16. **EXHAUST FAN HIGH/LOW/OFF.** Touch this pad to turn on the fan at high or low speed. Also use it to turn the fan off. See page 16 for more information.
17. **LIGHT ON/NIGHT/OFF.** Touch this pad to turn the light or night light on or off. See page 16 for more information.

continued on next page







Control panel features (cont.)

NOTES:

- If you have entered all settings for a function but do not touch START/ENTER in 5 seconds, the START? indicator light will show.
- If you open the door while the oven is on and then shut the door, the START? indicator light will show. Touch START/ENTER to continue.
- If you choose a function but do not press another Command pad within 1 minute, the display returns to the time of day and you have to start over.

Audible signals

Your microwave oven comes with audible signals that can guide you when setting and using your oven:

-  A programming tone will sound each time you touch a pad.
-  One long tone signals the end of a Kitchen Timer countdown.
-  Four tones signal the end of a cooking cycle.
-  Two quick, short tones sound once every minute for the first 15 minutes after an end-of-cooking signal as a reminder if the food has not been removed from the oven.
-  Two quick, short tones will sound while entering and exiting from a hidden feature (for example, Child Lock), time of day, or next highest priority display.
-  Three tones sound if you have made an incorrect entry.

To disable the programming tone:

TOUCH



and hold for 4 seconds

To turn the programming tone back on:

TOUCH



and hold for 4 seconds

To disable all audible signals except the end-of-timer signal:

TOUCH



and hold for 4 seconds

To turn signals back on:

TOUCH



and hold for 4 seconds

NOTE: Two tones will sound when audible signals are turned on or off.

Interrupting cooking

You can stop the oven during a cycle by opening the door. The oven stops heating and the fan stops, but the light stays on. To restart cooking, close the door and

TOUCH



If you do not want to continue cooking:

- Close the door and the light goes off.

OR

• TOUCH



NOTE: Before setting a function, touch OFF/CANCEL to make sure no other function is on.

Control panel features (cont.)

Using the child lock


The Child Lock locks the control panel so children cannot use the microwave oven when you do not want them to.

To lock the control panel:

TOUCH



and hold for 4 seconds


Two tones will sound and  will appear on the display. When the control panel is locked, 3 tones will sound and LOCK will appear when you touch any pad except for EXHAUST FAN and LIGHT, Number pads 1 and 2, and START/ENTER.

To unlock the control panel:

TOUCH



and hold for 4 seconds

Two tones will sound and  will be cleared from the display.

Using the demo/learning feature

You can set your microwave oven to display your commands as you enter them without turning the magnetron on. This feature helps you learn to use your oven without actually cooking food.

To set the demo/learning feature:

TOUCH



and hold for 4 seconds

Two tones will sound and a small "d" will appear on the display.

To cancel the demo/learning feature:

TOUCH



and hold for 4 seconds

Two tones will sound and the small "d" will disappear from the display.

Using the exhaust fan

The pad on the bottom left of the control panel controls the 2-speed exhaust fan.

1. Choose fan speed.

NOTE: If the temperature from the range or cooktop below the oven gets too hot, the exhaust fan in the vent hood will automatically turn on at the HIGH setting to protect the oven. **It may stay on up to an hour to cool the oven. When this occurs, the FAN pad will not turn the fan off.**

TOUCH



(once for high speed, twice for low speed)

2. Turn off fan when desired.

TOUCH



(1 or 2 more times, depending on fan speed)

Using the cooktop/countertop light

The pad on the bottom right of the control panel controls the cooktop/countertop light.

1. Turn on light.

TOUCH



(once for regular light, twice for night light)

2. Turn off light when desired.

TOUCH



(1 or 2 times, depending on light setting)

Setting the clock

When your microwave oven is first plugged in, or after a power failure, the display will flash ":". If a time of day is not set, ":" will flash until you touch any pad.

NOTES:

- If you touch in an invalid time and touch CLOCK, 3 tones will sound. Enter the correct time.
- If you touch OFF/CANCEL while setting the clock, the display will show the last time of day set.
- To turn off the clock, touch CLOCK, Number pad 0, and CLOCK again, the set time will disappear and ":" will show on the display.

1.Touch CLOCK.

TOUCH

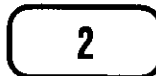
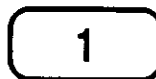


YOU SEE



2.Enter the time of day.
Example for 12:00:

TOUCH



YOU SEE



3.Complete your entry.

TOUCH



OR



YOU SEE



Using the kitchen timer

You can use your microwave oven as a kitchen timer. Use the Kitchen Timer for timing up to 99 minutes, 99 seconds.

NOTE: The oven can operate while the Kitchen Timer is in use. To see the Kitchen Timer while the oven is cooking, touch KITCHEN TIMER.

1. Touch KITCHEN TIMER.

TOUCH



YOU SEE

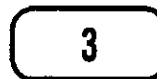
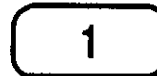


2. Enter the time to be counted down.

Example for 1 minute, 30 seconds:

NOTE: If you enter more than 4 digits, the first 4 digits will disappear and the following digit(s) will appear on the right side as you enter them.

TOUCH



YOU SEE



3. Start the countdown.

NOTE: If you do not do this step within 5 seconds of doing Step 2, "START?" will appear. You then have 1 minute to touch START/ENTER or KITCHEN TIMER before the display returns to the time of day.

TOUCH



OR



YOU SEE



At the end of the countdown:

YOU SEE

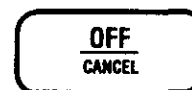


(one long tone will sound)

To cancel the kitchen timer:

During the countdown:

TOUCH



YOU SEE



(time of day)

Using ADD ONE MINUTE

ADD ONE MINUTE lets you cook food for 1 minute at 100% cook power or add an extra minute to your cooking time cycle. You can also use it to extend cooking time cycles in multiples of 1 minute, up to 99 minutes.

NOTES:

- To extend cooking time cycles in multiples of 1 minute, touch ADD ONE MINUTE repeatedly during cooking.
- After closing the door, you can enter ADD ONE MINUTE without having to touch START/ENTER.

- If you touch ADD ONE MINUTE during cooking, the oven will cook at the currently selected cook power. If you touch ADD ONE MINUTE after cooking is over, the oven will cook at 100% cook power. You can also change the cook power after you touch ADD ONE MINUTE by touching POWER, Number pads for the new cook power, and START/ENTER.
- You can use ADD ONE MINUTE only for the cooking time function.

1. Make sure the food is in the oven.

2. Touch ADD ONE MINUTE.

Example for cooking for 1 minute:

TOUCH



YOU SEE



Changing preset cooking times

If a preset cooking time is too long or too short, you can lengthen or shorten the cooking time after choosing AUTO COOK, AUTO REHEAT, AUTO DEFROST, POPCORN, or BEVERAGE. You can only change cooking times before cooking starts. For example, in AUTO REHEAT, after choosing the type of food and entering the quantity:

To lengthen cooking time:

TOUCH



once

YOU SEE



(example for auto reheat)

To shorten cooking time:

TOUCH



twice

YOU SEE



To reset to the original cooking time:

TOUCH



three times

YOU SEE



Using Your Microwave Oven

This section gives you instructions for operating each function. Please read these instructions carefully.

Cooking at high cook power

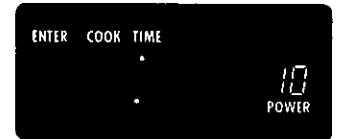
1. Put your food in the oven and close the door.

2. Touch COOK TIME.

TOUCH

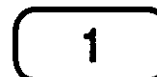


YOU SEE

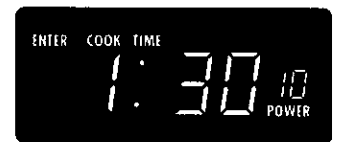


3. Enter the cooking time.
Example for 1 minute, 30 seconds:

TOUCH



YOU SEE



4. Start the oven.

TOUCH



YOU SEE



At the end of the cooking time:

YOU SEE



(four tones will sound)

Changing instructions

You can change the cooking time any time during cooking by repeating Steps 2, 3, and 4.

Cooking at different cook powers

For best results, some recipes call for different cook powers. The lower the cook power, the slower the cooking. Each Number pad also stands for a different percentage of cook power. Many microwave cookbook recipes tell you by number, percent, or name which cook power to use.

The following chart gives the percentage of cook power each Number pad stands for, and the cook power name usually used. It also tells you when to use each cook power. Follow recipe or food package instructions if available.

NOTE: Refer to a reliable cookbook for cooking times.

COOK POWER	NAME	WHEN TO USE IT
10=100% of full power (automatic)	High	<ul style="list-style-type: none"> • Quick heating many convenience foods and foods with high water content, such as soups and beverages • Cooking small tender pieces of meat, ground meat, poultry pieces, fish fillets, and most vegetables
9=90% of full power		<ul style="list-style-type: none"> • Heating cream soups
8=80% of full power		<ul style="list-style-type: none"> • Heating rice, pasta, or stirrable casseroles
7=70% of full power	Medium-High	<ul style="list-style-type: none"> • Cooking and heating foods that need a cook power lower than high (for example, whole fish and meat loaf) or when food is cooking too fast • Reheating a single serving of food
6=60% of full power		<ul style="list-style-type: none"> • Cooking sensitive foods, such as cheese and egg dishes, pudding, and custards • Cooking nonstirrable casseroles, such as lasagna
5=50% of full power	Medium	<ul style="list-style-type: none"> • Cooking ham, whole poultry, and pot roasts • Melting chocolate
4=40% of full power		<ul style="list-style-type: none"> • Simmering stews • Heating pastries
3=30% of full power	Medium-Low, Defrost	<ul style="list-style-type: none"> • Defrosting foods, such as bread, fish, meats, poultry, and precooked foods
2=20% of full power		<ul style="list-style-type: none"> • Softening butter, cheese, and ice cream
1=10% of full power	Low	<ul style="list-style-type: none"> • Keeping food warm • Taking chill out of fruit

NOTE: Once cook time has been entered you can also use the POWER pad as a second Kitchen Timer by entering "0" for the cook power. The oven will count down the cooking time you set without cooking.

1. Put your food in the oven and close the door.

2. Touch COOK TIME.

TOUCH



YOU SEE



continued on next page

Cooking at different cook powers (cont.)

3. Enter the cooking time.

Example for 7 minutes, 30 seconds:

TOUCH

7

3

0

YOU SEE



ENTER COOK TIME
7:30 10
POWER

4. Set the cook power.

TOUCH

POWER

YOU SEE



ENTER COOK
7:30 10
POWER

Example for 50% cook power:

TOUCH

5

OR

POWER

YOU SEE



ENTER COOK
7:30 5
POWER

(repeat until desired
cook power appears)

5. Start the oven.

TOUCH

START
ENTER 

YOU SEE



COOK TIME
7:30 5
POWER

At the end of the cooking time:

YOU SEE



COOK TIME
END

(four tones will sound)

Changing instructions

You can change the cooking time or cook power
any time during cooking by repeating Steps 2, 3
and/or 4 and 5.

Cooking in stages

For best results, some recipes call for one cook power for a certain length of time, and another cook power for another length of time. Your oven can be set to change from one to another automatically, for up to 3 stages.

You can set your chosen cook functions in any order. However, if you use AUTO DEFROST it must be the first stage.

1. Put your food in the oven and close the door.

2. Touch COOK TIME.

TOUCH

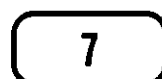


YOU SEE



3. Enter the cooking time for the first stage.
Example for 7 minutes, 30 seconds:

TOUCH



YOU SEE



4. Set the cook power for the first stage.

TOUCH

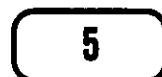


YOU SEE



Example for 50% cook power:

TOUCH



OR



(repeat until desired cook power appears)

YOU SEE



5. Repeat Steps 2, 3, and 4 to set the cooking time and cook power for each additional stage.

continued on next page

Cooking in stages (cont.)

6. Start the oven.

TOUCH



YOU SEE



(first stage, when cooking with 2 stages)

After the first stage is over, the next stage(s) will count down.

At the end of the cooking time:

YOU SEE



(four tones will sound)

Changing instructions

You can change cooking times or cook powers for a stage any time after that stage starts by repeating Steps 2, 3 and/or 4 and 5.

Using AUTO COOK

You can cook microwavable foods just by choosing a category and quantity. AUTO COOK has preset times and cook powers for 7 categories (see chart below).

To use AUTO COOK, follow the steps below:

1. Touch



once

You see



2. Touch AUTO COOK 1 to 7 times to choose the type of food.



once

Example for rice

OR

Touch a Number pad to choose the type of food.



Example for rice

You see



3. Touch one or more Number pads to enter the quantity.



Example for 1 cup

You see



Example for 1 cup

4. Touch



You see



(countdown time may vary)

NOTES:

- *If you do not enter a quantity within 2 seconds, AUTO COOK will prompt you to choose a quantity. You then have 1 minute to enter a quantity and to touch START/ENTER. If you do not do so, AUTO COOK will be canceled.
- *If you touch AUTO COOK 8 times, the display returns to the Rice setting.
- *If you need more or less cooking time, do not touch AUTO COOK again. Touch POWER before you touch START/ENTER. (See "Changing preset cooking times" in the "Getting to Know" section.)
- *When cooking bacon, keep in mind that differences in the amount of fat, meat, thickness, and curing process will affect how bacon is cooked. Also, regular sliced bacon averages about 16 slices per pound.

This chart shows you how to choose a type of food and the amounts you can choose for each type.

FOOD	TOUCH AUTO COOK [†] OR	TOUCH NUMBER PAD	AMOUNTS YOU CAN CHOOSE
Rice	once	1	0.5, 1, 1.5, or 2 cups ^{††} (118 mL, 237 mL, 355 mL, or 473 mL)
Fresh Vegetables	twice	2	1 to 4 cups (237 mL to 946 mL)
Frozen Vegetables	3 times	3	1 to 4 cups (237 mL to 946 mL)
Canned Vegetables	4 times	4	1 to 4 cups (237 mL to 946 mL)
Bacon	5 times	5	1 to 6 pieces, average thickness
Frozen Entree	6 times	6	10 to 12 oz or 20 to 21 oz ^{†††} (284 g to 340 g or 567 g to 595 g)
Baked Potato	7 times	7	1 to 4 potatoes, 10 to 13 oz (280 g to 369 g) each

[†] You must touch AUTO COOK once before choosing the food type.

^{††} Set 0.5 cup by touching "0" and "5" or only "0" or only "5". Set 1.0 cup by touching "1" and "0" or only "1". Set 1.5 cups by touching "1" and "5". Set 2.0 cups by touching "2" and "0" or only "2".

^{†††} Set 10 to 12 ounces by touching "1". Set 20 to 21 ounces by touching "2".

Using AUTO REHEAT

You can reheat microwavable foods just by choosing a category and quantity. AUTO REHEAT has preset times and cook powers for 5 categories (see chart below).

To use AUTO REHEAT, follow the steps below:

1. Touch



once

You see



2. Touch AUTO REHEAT 1 to 5 times to choose the type of food.



once

OR

Touch a Number pad to choose the type of food.



once

You see



Example for pizza slice



3. Touch a Number pad to enter the quantity.



Example for 1 slice

You see



Example for 1 slice

4. Touch



You see



(countdown time may vary)

NOTES:

- If you do not enter a quantity within 2 seconds, AUTO REHEAT will prompt you to choose a quantity. You then have 1 minute to enter a quantity and to touch START/ENTER. If you do not do so, AUTO REHEAT will be canceled.
- If you touch AUTO REHEAT 6 times, the display returns to the Pizza Slice setting.
- If you need more or less cooking time, do not touch AUTO REHEAT again. Touch POWER before you touch START/ENTER. (See "Changing preset cooking times" in the "Getting to Know" section.)
- When reheating a large (4 oz) muffin or bagel use the 2-piece setting. The 1-piece setting warms 1 regular-size muffin or bagel, or 2 small dinner rolls.

This chart shows you how to choose a type of food and the amounts you can choose for each type.

FOOD	TOUCH AUTO REHEAT†	OR	TOUCH NUMBER PAD	AMOUNTS YOU CAN CHOOSE
Pizza Slice	once		1	1 to 3 slices, 5 oz (142 g) each
Soup/Sauce	twice		2	1 to 4 cups (237 mL to 946 mL)
Casserole	3 times		3	1 to 4 cups (237 mL to 946 mL)
Baked Goods	4 times		4	1 to 6 pieces, 2 oz (57 g) each
Plate (of food)	5 times		5	1 serving (or 1 plate)

† You must touch AUTO REHEAT once before choosing the food type.

Using AUTO DEFROST

You can defrost food by choosing a category and setting a weight. AUTO DEFROST has preset times and cook powers for 3 categories (see chart below).

To use AUTO DEFROST, follow the steps below:

1. Touch



once

You see



2. Touch AUTO DEFROST 1 to 3 times to choose the type of food.

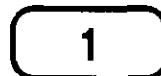


Example for meats

once

OR

Touch a Number pad to choose the type of food.



Example for meats

You see



Example for meats



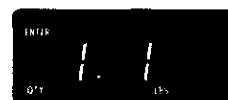
3. Touch Number pad(s) to enter the weight.



Example for 1.1 lbs

twice

You see



Example for 1.1 lbs

4. Touch



You see



(countdown time may vary)

NOTES:

- If you do not enter a weight within 2 seconds, AUTO DEFROST will prompt you to enter a weight. You then have 1 minute to enter a weight and to touch START/ENTER. If you do not do so, AUTO DEFROST will be canceled.
- If you enter a weight higher than the highest weight allowed for your food setting, 3 tones will sound and "RETRY" will appear on the display when you touch START/ENTER.
- If you touch AUTO DEFROST 4 times, the display returns to the Meats setting.
- If you need more or less defrosting time, do not touch AUTO DEFROST again. Touch POWER before you touch START/ENTER. (See "Changing preset cooking times" in the "Getting to Know" section.)
- See the "Auto defrost chart" later in this section for defrosting directions for each food.
- To defrost items not listed in the "Auto defrost chart," use 30% cook power. Refer to a reliable cookbook for defrosting information.

For even, complete defrosting

- The shape of the package affects how quickly food will defrost. Shallow packages will defrost more quickly than a deep block.
- As food begins to defrost, separate the pieces. Separated pieces defrost more evenly.
- Use small pieces of aluminum foil to shield parts of food such as chicken wings, leg tips, fish tails, or areas that start to get warm. Make sure the foil does not touch the sides, top, or bottom of the oven.

This chart shows you how to choose a type of food and the weights you can set for each type.

FOOD	TOUCH AUTO DEFROST [†]	OR	TOUCH NUMBER PAD	WEIGHTS YOU CAN SET (tenths of a pound)
Meats	once		1	.1 to 6.6 (45 g to 2994 g)
Poultry	twice		2	.1 to 6.6 (45 g to 2994 g)
Fish	3 times		3	.1 to 4.4 (45 g to 1996 g)

[†] You must touch AUTO DEFROST once before choosing the food type.

Auto defrost chart

Meat setting

FOOD	SPECIAL INSTRUCTIONS
Beef Ground Beef, Bulk Ground Beef, Patties Round Steak, Tenderloin Steak, Pot Roast, Chuck Roast, Rib Roast, Rolled Rump Roast Stew Beef	Meat of irregular shape and large, fatty cuts of meat should have the narrow or fatty areas shielded with foil at the beginning of a defrost cycle. Do not defrost less than ¼ lb (133 g). Do not defrost less than two 4 oz (133 g) patties. Place on a microwavable roasting rack. Place in a microwavable baking dish.
Lamb Cubes for Stew Chops (1 inch [2.5 cm] thick)	Place in a microwavable baking dish. Place on a microwavable roasting rack.
Pork Chops (½ inch [13 mm] thick), Hot Dogs, Spareribs, Country- Style Ribs, Loin Roast (Boneless), Sausage, Links Sausage, Bulk	Place on a microwavable roasting rack. Place in a microwavable baking dish.

Fish setting

FOOD	SPECIAL INSTRUCTIONS
Fish Fillets Steaks Whole	Place in a microwavable baking dish. Carefully separate fillets under cold water. Place in a microwavable baking dish. Run cold water over to finish defrosting. Place in a microwavable baking dish. Cover head and tail with foil; do not let foil touch sides of microwave oven. Finish defrosting by immersing in cold water.
Shell Fish Crabmeat, Lobster Tails, Shrimp, Scallops	Place in a microwavable baking dish.

Auto defrost chart (cont.)

Poultry setting

FOOD	SPECIAL INSTRUCTIONS
Chicken	
Whole (up to 9½ lbs [4.3 kg])	Place chicken breast-side up on a microwavable roasting rack. Finish defrosting by immersing in cold water. Remove giblets when chicken is partially defrosted.
Cut Up	Place on a microwavable roasting rack. Finish defrosting by immersing in cold water.
Cornish Hens	
Whole	Place on a microwavable roasting rack. Finish defrosting by immersing in cold water.
Turkey	
Breast (under 6 lbs [2.7 g])	Place on a microwavable roasting rack. Finish defrosting by immersing in cold water.

Defrosting tips

- When using AUTO DEFROST, you need to enter the net weight (the weight of the food minus the container). Enter the weight to the nearest 1/16 lb (46 g).
- Only use AUTO DEFROST for raw food. AUTO DEFROST gives best results when the food to be thawed is completely frozen. If the food is partially defrosted, always set a lower food weight (for a shorter defrosting time) to prevent cooking the food.
- For better results, a preset standing time is included in the defrosting time. This may make the defrosting time seem longer than expected. (For more information on standing time, see the "Microwave cooking tips" in the "Cooking Guide" section.)

Weight conversion chart

You are probably used to food weights as being in pounds and ounces that are fractions of a pound (for example 4 ounces equals 1/4 pound). However, in order to enter food weight in AUTO DEFROST, you must specify pounds and tenths of a pound.

If the weight on the food package is in fractions of a pound, you can use the following chart to convert the weight to decimals.

DECIMAL WEIGHT	EQUIVALENT OUNCE WEIGHT	EQUIVALENT GRAM WEIGHT
.10	1.6	45
.20	3.2	91
.25 One-Quarter Pound	4.0	113
.30	4.8	136
.40	6.4	181
.50 One-Half Pound	8.0	227
.60	9.6	272
.70	11.2	318
.75 Three-Quarters Pound	12.0	340
.80	12.8	363
.90	14.4	408
1.00 One Pound	16.0	454

Using POPCORN

You can pop commercially packaged microwave popcorn by touching just one pad. The number of times you touch this pad determines which size bag of popcorn your oven will pop.

For best results:

- Pop only 1 package at a time.
- If you are using a microwave popcorn popper, follow manufacturer's instructions.

To use POPCORN, follow the steps below:

1. Place the bag in the center of the turntable.
2. Touch POPCORN 1 to 3 times to choose the bag size.



Example for
3.5 oz

once

You see



Example for
3.5 oz



(countdown
time may
vary)

This chart shows you how to choose a bag size.

BAG SIZE (ounces)	TOUCH POPCORN
3.5 (100 g)	once
3.0 (85 g)	twice
1.75 (50 g)	3 times

NOTES:

- If you touch POPCORN 4 times, the display returns to the 3.5 ounce (100 g) setting.
- You do not need to touch START/ENTER to start the oven. The oven will start in 5 seconds.
- If you need more or less cooking time, do not touch POPCORN again. Touch POWER before the oven starts cooking. (See "Changing preset cooking times" in the "Getting to Know" section.)

Popcorn brands make a difference

How well your popcorn cooks will depend on the brand of popcorn and how much fat it has in it. Try several brands to decide which pops the best. For best results, use fresh bags of popcorn.

Using BEVERAGE

You can heat one or two 8-ounce (227 g) cups of a beverage by touching just one pad. The number of times you touch this pad determines the number of cups your oven will heat.

NOTES:

- If you touch BEVERAGE 3 times, the display returns to the 1-cup setting.
- You do not need to touch START/ENTER to start the oven. The oven will start heating by itself in 5 seconds.
- If you need more or less heating time, do not touch BEVERAGE again. Touch POWER before the oven starts cooking. (See "Changing preset cooking times" in the "Getting to Know" section.)

1. Place your cup(s) of beverage in the oven and close the door.

2. Touch BEVERAGE.

If you want to heat 1 cup, just wait 5 seconds and the oven will start heating automatically for 1 cup.

TOUCH



YOU SEE

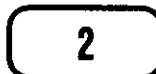


3. Change to 2 cups, if desired.

TOUCH



OR



YOU SEE



After 5 seconds, the oven will start heating.

YOU SEE



(countdown time - may vary from above)
(example for 2 cups)

At end of heating time:

YOU SEE



(four tones will sound)

Using HOLD WARM

You can safely keep hot, cooked food warm in your microwave oven for up to 99 minutes, 99 seconds (about 1 hour, 40 minutes). You can use HOLD WARM by itself, or to automatically follow a cooking cycle.

NOTES:

- HOLD WARM operates for up to 99 minutes, 99 seconds.
- Opening the oven door cancels HOLD WARM. Close the door and touch HOLD WARM, then touch START/ENTER if additional HOLD WARM time is desired.
- Food cooked covered should be covered during HOLD WARM.
- Pastry items (pies, turnovers, etc.) should be uncovered during HOLD WARM.
- Complete meals kept warm on a dinner plate should be covered during HOLD WARM.
- Do not use more than one complete HOLD WARM cycle (about 1 hour, 40 minutes). The quality of some foods will suffer with extended time.

1. Put hot, cooked food in the oven and close the door.

2. Touch HOLD WARM.

TOUCH



YOU SEE



3. Start the oven.

TOUCH



YOU SEE



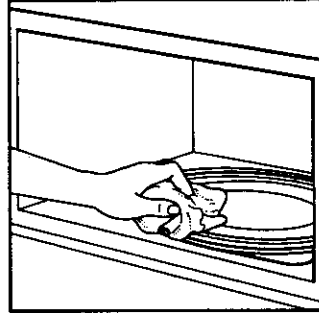
To make HOLD WARM automatically follow another cycle:

- While entering cooking instructions, touch HOLD WARM before touching START/ENTER, or during cooking.
- When the last cooking cycle is over, you will hear two tones. "WARM" will come on while the oven continues to run.

Caring for Your Microwave Oven

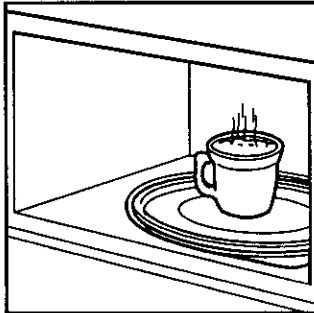
To make sure your microwave oven looks good and works well for a long time, you should maintain it properly. For proper care, please follow these instructions carefully.

For interior surfaces: Wash often with warm, sudsy water and a sponge or soft cloth. Use only mild, nonabrasive soaps or a mild detergent. **Be sure to keep the areas clean where the door and oven frame touch when closed.** Wipe well with clean water. Over time, stains can occur

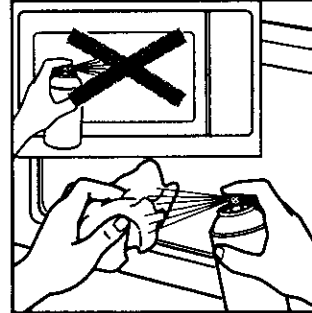


on the surfaces as the result of food particles spattering during cooking. This is normal.

For stubborn soil, boil a cup of water in the oven for 2 or 3 minutes. Steam will soften the soil. To get rid of odors inside the oven, boil a cup of water with lemon juice or vinegar.



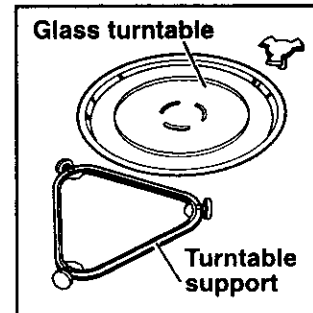
For exterior surfaces and control panel: Use a soft cloth with spray glass cleaner. Apply the spray glass cleaner to the soft cloth; do not spray directly on the oven.



NOTE: Abrasive cleansers, steel-wool pads, gritty wash cloths, some paper towels, etc., can damage the control panel and the interior and exterior oven surfaces.

To clean turntable and turntable support, wash

in mild, sudsy water; for heavily soiled areas use a mild cleanser and scouring sponge. The turntable and turntable support are dishwasher safe.



Installing and caring for the filters

Do not allow grease and soil to build up in the grease filters. It will decrease the exhaust fan efficiency and could cause a fire. Remove and clean grease filters at least once a month.

NOTE: If your microwave hood combination is installed to recirculate air, install the charcoal filter (Part No. 4393690), available from your nearest Sears Service Center. **The charcoal filter cannot be cleaned and should be replaced every 6 to 12 months.**

⚠ WARNING

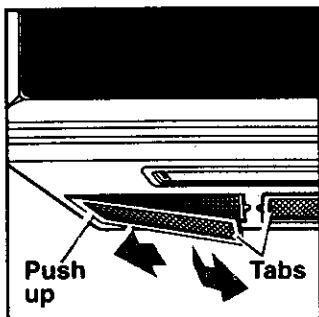


Electrical Shock Hazard

**Disconnect power before removing filters.
Replace all panels before operating.
Failure to do so can result in death
or electrical shock.**

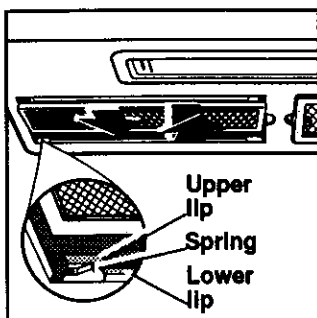
Removing, cleaning, and replacing

1. Unplug microwave oven or disconnect power.
2. To remove the grease filters, push each filter

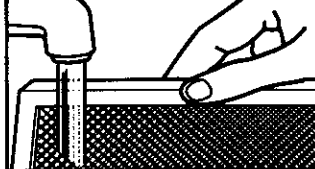


up on the side opposite the tab. Grasp the tab and slide the filter to the side. Pull the filter downward. It will drop out.

3. To remove the charcoal filters, push the back of each filter away from you. This will slide the front of the filter off the lower lip. Swing the front of the filter down and slide the filter out.

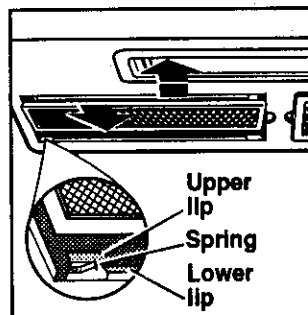


4. Soak grease filters in hot water and a mild detergent. Scrub and swish to remove embedded dirt and grease. Rinse well and shake to dry.



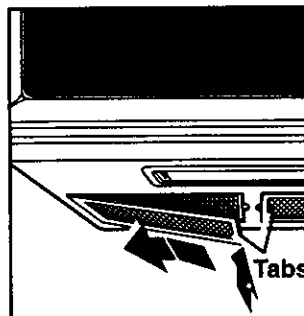
Do not use ammonia, corrosive cleaning agents such as lye-based oven cleaners, or place in a dishwasher. The filter will turn black or could be damaged.

5. To replace the charcoal filters, push each filter



to the back of the opening, between the upper and lower lips against the springs. Swing the front of the filter up against the upper lip. Slide the filter forward while pushing it up against the upper lip. The filter will now be held in position between the lips by the spring.

6. To replace the grease filters, slide each filter



into the outer side of the filter opening. Make sure you are sliding in the side of the filter that does not have the tab. Hold the tab with your other hand. Push up the tab side of the filter and slide the filter to the other side of the opening to lock into place.

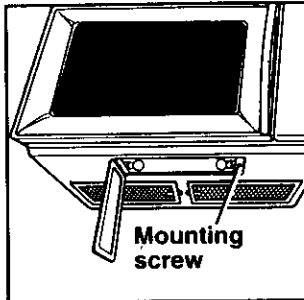
7. Plug in microwave oven or reconnect power.

NOTE: Do not operate the vent fan without the filters in place.

Replacing the cooktop and oven lights

The cooktop light

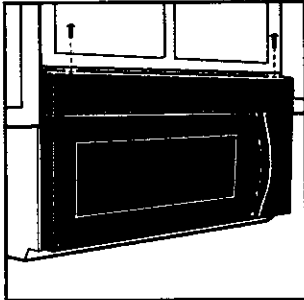
1. Unplug microwave oven or disconnect power.
2. Remove the bulb cover mounting screw and carefully remove the cover.



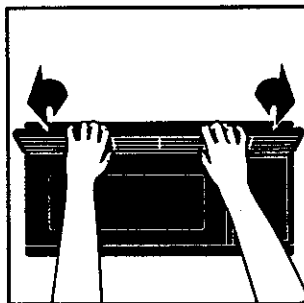
3. Replace bulb(s) with candelabra-base 30-watt bulb(s) (Part No. 4393681) available from your nearest Sears Service Center.
4. Plug in microwave oven or reconnect power.

The oven light

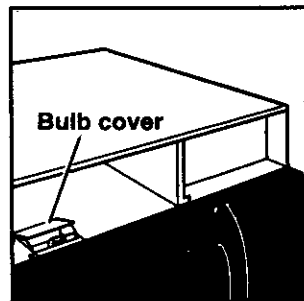
1. Unplug microwave oven or disconnect power.
2. Remove the two vent grille mounting screws located above the cover (the two outer screws).



3. Tip the grille forward, then lift out to remove.



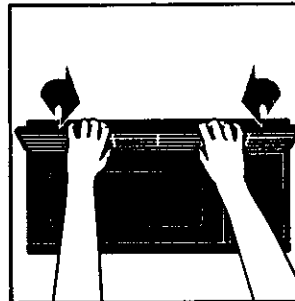
4. Lift up the bulb cover.



5. Replace the bulb with a candelabra-base 30-watt bulb (Part No. 4393681) available from your nearest Sears Service Center.

6. Close the bulb cover.

7. Slide the top of the vent grille into place. Push the bottom until it snaps into place. Replace the mounting screws.



8. Plug in microwave oven or reconnect power.

Cooking Guide

Microwave cooking tips

Amount of food

- **If you increase or decrease** the amount of food you prepare, the time it takes to cook that food will also change. For example, if you double a recipe, add a little more than half the original cooking time. Check for doneness and, if necessary, add more time in small increments.

Starting temperature of food

- **The lower the temperature** of the food being put into the microwave oven, the longer it takes to cook. Food at room temperature will be reheated more quickly than food at refrigerator temperature.

Composition of food

- **Food with a lot of fat and sugar** will be heated faster than food containing a lot of water. Fat and sugar will also reach a higher temperature than water in the cooking process.
- **The more dense the food**, the longer it takes to heat. "Very dense" food like meat takes longer to reheat than lighter, more porous food like sponge cakes.

Size and shape

- **Smaller pieces of food** will cook faster than larger pieces. Also, same-shaped pieces cook more evenly than different-shaped pieces.
- **With foods that have different thicknesses**, the thinner parts will cook faster than the thicker parts. **Place** the thinner parts of chicken wings and legs in the center of the dish.

Stirring, turning foods

- **Stirring and turning foods** spreads heat quickly to the center of the dish and avoids overcooking at the outer edges of the food.

Covering food

Cover food to:

- **Reduce** splattering
- **Shorten** cooking times
- **Keep** food moist

You can use any covering that lets microwaves pass through.

Releasing pressure in foods

- **Several foods** (for example: baked potatoes, sausages, egg yolks, and some fruits) are tightly covered by a skin or membrane. Steam can build up under the membrane during cooking, causing the food to burst. To relieve the pressure and to prevent bursting, **pierce** these foods before cooking with a fork, cocktail pick, or toothpick.

Using standing time

- **Always allow food to stand** after cooking. Standing time after defrosting and cooking allows the temperature to evenly spread throughout the food, improving the cooking results.
- **The length of the standing time** depends on how much food you are cooking and how dense it is. Sometimes it can be as short as the time it takes you to remove the food from the oven and take it to the serving table. However, with larger, denser food, the standing time may be as long as 10 minutes.

Microwave cooking tips (cont.)

Arranging food

For best results, place food evenly on the plate. You can do this in several ways:

- **If you are cooking several items of the same food**, such as baked potatoes, place them in a ring pattern for uniform cooking.
- **When cooking foods of uneven shapes or thickness, such as chicken breasts**, place the smaller or thinner area of the food towards the center of the dish where it will be heated last.
- **Layer thin slices of meat** on top of each other.
- **When you cook or reheat whole fish**, score the skin – this prevents cracking. Shield the tail and head of whole fish with small pieces of foil to prevent overcooking. When using foil, make sure it doesn't touch the sides of the oven.
- **Do not** let food or a container touch the top or sides of the oven. This will prevent possible arcing.

Using aluminum foil

Metal containers should not be used in a microwave oven. There are, however, some exceptions. If you have purchased food which is prepackaged in an aluminum foil container, refer to the instructions on the package. When using aluminum foil containers, cooking times may be longer because microwaves will only penetrate the top of the food.

If you use aluminum containers without package instructions, follow these guidelines:

- **Place** the container in a glass bowl and add some water so that it covers the bottom of the container, not more than ¼ inch (6 mm) high. This ensures even heating of the container bottom.
- **Always remove** the lid to avoid damage to the oven.
- **Use only** undamaged containers.
- **Do not use** containers taller than ¾ inch (19 mm).
- **Container must be** at least half filled.
- **To avoid arcing**, there must be a minimum ¼ inch (6 mm) between the aluminum container and the walls of the oven and also between two aluminum containers.
- **Always place** the container on the turntable.
- **Reheating food** in aluminum foil containers usually takes up to double the time compared to reheating in plastic, glass, china, or paper containers. The time when food is ready will vary depending upon the type of container you use.
- **Let food stand** for 2 to 3 minutes after heating so that heat is spread evenly throughout container.

Cooking you should not do in your microwave oven

- **Do not** do canning of foods in the oven. Closed glass jars may explode, resulting in damage to the oven or possible personal injury.
- **Do not** use the microwave oven to sterilize objects (baby bottles, etc.). It is difficult to keep the oven at the high temperature needed for safe sterilization.

Questions and Answers

QUESTIONS	ANSWERS
Can I operate my microwave oven without the turntable or turn the turntable over to hold a large dish?	No. If you remove or turn over the turntable, you will get poor cooking results. Dishes used in your oven must fit on the turntable.
Can I use a rack in my microwave oven so that I may reheat or cook on two levels at a time?	You can use a rack only if the rack is supplied with your microwave oven. If you use a rack not supplied with the microwave oven, you can get poor cooking performance and/or arcing.
Can I use either metal or aluminum pans in my microwave oven?	You can use aluminum foil for shielding (use small, flat pieces), small skewers, and shallow foil trays (if tray is ¼ inch [19 mm] deep or less and at least half filled with food to absorb microwave energy). Never allow metal to touch walls or door. (For more information, see "Using aluminum foil" in the "Cooking Guide" section.)
Is it normal for the turntable to turn in either direction?	Yes. The turntable rotates clockwise or counter-clockwise, depending on the rotation of the motor when the cooking cycle begins.
Sometimes the door of my microwave oven appears wavy. Is this normal?	This appearance is normal and does not affect the operation of your oven.
What are the humming noises that I hear when my microwave oven is operating?	You hear the sound of the transformer when the magnetron tube cycles on.
Why does the dish become hot when I microwave food in it? I thought that this should not happen.	As the food becomes hot it will conduct the heat to the dish. Be prepared to use hot pads to remove food after cooking.
What does "standing time" mean?	"Standing time" means that food should be removed from the oven and covered for additional time to allow it to finish cooking. This frees the oven for other cooking.
Why does steam come out of the air exhaust vent?	Steam is normally produced during cooking. The microwave oven has been designed to vent this steam out the vent.
Can I pop popcorn in my microwave oven? How do I get the best results?	Yes. Pop packaged microwave popcorn following manufacturer's guidelines or use the preset POPCORN pad. Do not use regular paper bags. Use the "listening test" by stopping the oven as soon as the popping slows to a "pop" every 1 or 2 seconds. Do not repop unpopped kernels. Do not pop popcorn in glass cookware.

Troubleshooting

Most cooking problems often are caused by little things you can find and fix without tools of any kind. Check the lists below and on the next page before calling for assistance or service. If you still need help, see the "Sears Toll-Free Numbers" section on page 92.

Microwave oven does not work

PROBLEM	CAUSE
Nothing works.	<ul style="list-style-type: none">• The power supply cord is not plugged into a live circuit with the proper voltage. (See the "Electrical requirements" section on page 5 and the "Electrical connection" section on page 11.)• A household fuse has blown or a circuit breaker has tripped.• The electric company has had a power failure.
The microwave oven will not run.	<ul style="list-style-type: none">• You are using the oven as a timer. Touch OFF/CANCEL to cancel the Kitchen Timer.• The door is not firmly closed and latched.• You did not touch START/ENTER.• You did not follow directions exactly.• An operation that you set earlier is still running. Touch OFF/CANCEL to cancel that operation.

Cooking times

PROBLEM	CAUSE
Food is not cooked enough.	<ul style="list-style-type: none">• The electric supply to your home or wall outlets is low or lower than normal. Your electric company can tell you if the line voltage is low. Your electrician or service technician can tell you if the outlet voltage is low.• The cook power is not at the recommended setting. Check the chart on page 21.• You have not allowed enough cooking time for the amount of food being cooked. Larger amounts of food need longer cooking times.
The display shows a time counting down but the oven is not cooking.	<ul style="list-style-type: none">• The oven door is not closed completely.• You have set the controls as a kitchen timer. Touch OFF/CANCEL to cancel the Kitchen Timer.

continued on next page

Turntable

PROBLEM	CAUSE
The turntable will not turn.	<ul style="list-style-type: none">• The turntable is not correctly in place. It should be correct-side up and sitting firmly on the center shaft.• The support is not operating correctly. Remove the turntable and restart the oven. If the support still does not move, call an authorized service technician for repair. Cooking without the turntable can give you poor results.

Tones

PROBLEM	CAUSE
You do not hear the programming or end-of-cycle tone.	<ul style="list-style-type: none">• You have not entered the correct command.• You have turned off the tone. See the "Audible signals" section on page 14.

Display messages

PROBLEM	CAUSE
The display is flashing ":".	<ul style="list-style-type: none">• There has been a power interruption. Reset the clock. (See the "Setting the clock" section on page 17.)

If none of these items are causing your problem, see the "Sears Toll-Free Numbers" section on page 88.

Please record your model's information.

Whenever you call to request service for your appliance, you need to know your complete model number and serial number. You can find this information on the model and serial number label/plate (see "Microwave oven features" in the "Getting to Know" section). Also, record the other information shown in the next column.

Model Number _____
Serial Number _____
Purchase Date _____
Dealer Name _____
Dealer Address _____
Dealer Phone _____

Index

This index is alphabetical. It contains all the topics included in this manual, along with the page(s) on which you can find each topic.

TOPIC	PAGE	TOPIC	PAGE
ALUMINUM FOIL	37	FILTERS	34
AUDIBLE SIGNALS	14	HOW YOUR MICROWAVE OVEN WORKS	8-9
CARING FOR YOUR MICROWAVE OVEN	33	INSTALLATION INSTRUCTIONS	6-7
CHARTS		LIGHTS	
Auto cook	25	Replacing	35
Auto defrost	27, 28-29	Using	16
Auto reheat	26	PARTS AND FEATURES	
Cook powers	21	Cooking guide label	12
Popcorn	30	Door handle	12
Weight conversion	29	Door safety lock system	12
CONTROL PANEL	13-15	Magnetron	8, 38
ADD ONE MINUTE	19	Model and serial number plate	12
AUTO COOK	25	Turntable	8, 11, 12, 33, 38, 40
AUTO DEFROST	27	Vent grille	12
AUTO REHEAT	26	Window	12
BEVERAGE	31	QUESTIONS AND ANSWERS	38
Changing preset cooking times	19	RACK	38
Child lock	15	RADIO INTERFERENCE	9
CLOCK	17	REPLACING COOKTOP AND OVEN LIGHTS	35
Cooking at high cook power	20	SAFETY	3-5, 10-11
Cooking at different cook powers	21, 22	SERVICE	2
COOK TIME	20, 21, 23	STANDING TIME	29, 36, 38
Demo/learning feature	15	TESTING YOUR DINNERWARE	
Display	13	OR COOKWARE	10
Fan	16	TESTING YOUR MICROWAVE OVEN	9
HOLD WARM	32	TIPS	
Interrupting cooking	14	Cooking	36-37
Kitchen timer	18	Defrosting	29
Light	16	TOLL-FREE NUMBERS	88
Number pads	13	TROUBLESHOOTING	39-40
OFF/CANCEL	14	WARRANTY	2
POPCORN	30		
POWER	21, 22, 23		
Stage cooking	23-24		
START/ENTER	14		
ELECTRICAL REQUIREMENTS	5, 11		
EXHAUST FAN	16		

Notes

Tabla de contenidos

Garantía	44	Cómo cuidar su horno de microondas	78
Servicio Sears	44	Guía de Cocina	82
Seguridad del horno de microondas	45-47	Preguntas y respuestas	84
Instrucciones de instalación	48	Solución de problemas	85
Conozca su horno de microondas	51	Índice	87
Cómo utilizar su horno de microondas	63	Llame sin costo	88

Garantía del horno de microondas

GARANTÍA TOTAL POR UN AÑO DEL HORNO DE MICROONDAS

Si en un período de un año a partir de la fecha de compra, este horno de microondas sufriera alguna falla debido a defectos en su material o mano de obra, Sears lo reparará sin cargo.

GARANTÍA TOTAL POR CINCO AÑOS PARA EL MAGNETRÓN

Si en un período de cinco años a partir de la fecha de compra, el magnetrón de este Horno de Microondas Kenmore sufriera alguna falla debido a defectos en su material o mano de obra, Sears lo reparará sin cargo.

La cobertura de esta garantía incluye solamente hornos para uso doméstico.

PODRÁ HACER EFECTIVA ESTA GARANTÍA CON SÓLO PONERSE EN CONTACTO CON LA TIENDA SEARS O EL CENTRO DE SERVICIO MÁS CERCANO EN LOS ESTADOS UNIDOS.

Esta garantía tiene validez siempre y cuando este producto esté en uso en los Estados Unidos.

Esta garantía le otorga derechos legales específicos que podrían variar de un estado a otro.

Sears, Roebuck and Co.,
Dept. 817WA,
Hoffman Estates, IL 60179

Para servicio llame al teléfono:
1-800-4-REPAIR
1-800-473-7247

Servicio Sears

“Damos servicio a lo que vendemos”

“Damos servicio a lo que vendemos”, es así como le aseguramos que puede contar con Sears para cualquier servicio porque el Servicio Sears se ofrece a nivel nacional.

Su Horno de Microondas Kenmore de Sears adquiere un valor agregado considerando que Sears tiene una unidad de servicio cerca de usted, atendida por técnicos capacitados por Sears – técnicos profesionales especializados en Hornos de Microondas Kenmore de Sears y cuentan con las partes, herramientas y equipo para asegurar el cumplimiento de nuestro compromiso con usted– “¡Damos servicio a lo que vendemos!”

Para agregar valor a su horno de microondas, adquiera un Contrato de servicio Sears.

Los hornos de microondas Kenmore de Sears están diseñados, fabricados y probados para durar años de operaciones confiables. Sin embargo, cualquier artículo moderno puede requerir mantenimiento ocasionalmente. Un Contrato de mantenimiento Sears es más que una extensión de la garantía. Proporciona protección total contra gastos imprevistos por reparaciones inesperadas y molestias innecesarias. Le asegura máximo rendimiento a su horno de microondas.

A continuación le presentamos una tabla comparativa de Garantía y Contrato de mantenimiento la cual le muestra las ventajas del Contrato de mantenimiento Sears para hornos de microondas.

AÑOS DE COBERTURA DE PROPIEDAD	1ER AÑO.	Del 2º AÑO al 5º AÑO.
Cambio de partes defectuosas que no sea el magnetrón	G	CM
Cambio del magnetrón	G	G
Revisión anual de mantenimiento preventivo cuando usted lo solicite	CM	CM

G – GARANTÍA

CM – CONTRATO DE MANTENIMIENTO

Consulte a su representante de ventas Sears o a su Centro de servicio Sears local hoy mismo y adquiera un Contrato de mantenimiento Sears.

Guarde este libro y la factura de venta juntos en algún lugar seguro para consultas futuras.

Seguridad del horno de microondas

Su seguridad y la seguridad de los demás es muy importante.

Hemos incluido muchos mensajes importantes de seguridad en este manual y en su electrodoméstico. Lea y obedezca siempre todos los mensajes de seguridad.



Este es el símbolo de advertencia de seguridad.

Este símbolo le llama la atención sobre peligros que pueden ocasionar la muerte o una lesión a usted y a los demás.

Todos los mensajes de seguridad irán precedidos por el símbolo de advertencia de seguridad y la palabra "PELIGRO" o "ADVERTENCIA". Estas palabras significan:

⚠ PELIGRO

Si no sigue las instrucciones, usted morirá o sufrirá una lesión grave.

⚠ ADVERTENCIA

Si no sigue las instrucciones, usted puede morir o sufrir una lesión grave.

Todos los mensajes de seguridad identificarán el peligro, le informarán cómo reducir las posibilidades de sufrir una lesión y lo que puede suceder si no sigue las instrucciones.

INSTRUCCIONES IMPORTANTES DE SEGURIDAD

Al usar aparatos electrodomésticos deben seguirse precauciones básicas de seguridad, incluyendo las siguientes:

ADVERTENCIA – Para reducir el riesgo de quemaduras, choque eléctrico, incendio, lesiones personales o exposición excesiva a la energía del horno de microondas:

- Antes de usar su horno, lea cuidadosamente todas las instrucciones.
- Lea y siga las "PRECAUCIONES PARA EVITAR LA POSIBLE EXPOSICIÓN EXCESIVA A LA ENERGÍA DEL HORNO DE MICROONDAS" que se encuentra en esta sección.
- El horno de microondas debe estar conectado a tierra. Conéctelo únicamente en un tomacorriente puesto a tierra. Ver "INSTRUCCIONES DE CONEXIÓN A TIERRA" que se encuentran al final de esta sección.
- Instale o coloque el horno de microondas únicamente de acuerdo con las instrucciones de instalación provistas.
- Algunos productos tales como los huevos enteros en su cáscara y los recipientes sellados – por ejemplo, tarros de vidrio cerrados – pueden explotar y no deben ser calentados en el horno de microondas.
- Use el horno de microondas sólo para los fines descritos en este manual. No use sustancias químicas ni vapores corrosivos en el horno de microondas. Este tipo de horno ha sido diseñado específicamente para calentar, cocinar o secar los alimentos. No ha sido diseñado para uso industrial o en laboratorios.
- Como con cualquier aparato electrodoméstico, es necesario supervisar rigurosamente el uso del horno de microondas por niños.
- No opere el horno de microondas si tiene un cable o enchufe dañado, si no funciona debidamente, si ha sido dañado o si se ha caído.
- Sólo un miembro calificado del personal de servicio puede reparar este horno de microondas. Llame a una compañía de servicio autorizada para examinar, reparar o regular este horno de microondas.
- No cubra ni bloquee ningún orificio del horno de microondas.

– GUARDE ESTAS INSTRUCCIONES –

continúa en la siguiente página

INSTRUCCIONES IMPORTANTES DE SEGURIDAD

- No guarde el horno de microondas al aire libre. No lo use cerca del agua – por ejemplo, cerca del fregadero, en un sótano húmedo, o cerca de una piscina o lugares semejantes.
- No sumerja el cable o el enchufe en agua.
- Mantenga el cable de alimentación alejado de las superficies calientes.
- No deje que el cable cuelgue del borde de una mesa o superficie.
- Vea las instrucciones de cómo limpiar la superficie de la puerta en la sección “Cuidado de su horno de microondas”.
- No lo instale sobre un fregadero.
- No guarde ningún objeto directamente sobre la parte superior del horno de microondas cuando el horno de microondas está en funcionamiento.
- Para reducir el riesgo de incendio en la cavidad del horno:
 - No cocine demasiado los alimentos. Vigile cuidadosamente el horno de microondas si se coloca dentro del mismo, papel, plástico o cualquier material combustible para facilitar la cocción.
 - Quite los alambres que sujetan las bolsas de papel o de plástico antes de colocarlas en el horno.
- Si los materiales dentro del horno prenden fuego, mantenga cerrada la puerta del horno, apáguelo y desconecte el cable de alimentación, o corte la energía en el fusible o en el panel interruptor de circuitos.
- No use la cavidad del horno de microondas para guardar objetos. No deje productos de papel, utensilios de cocina o alimentos en la cavidad cuando no esté usando el aparato.
- Adecuado para uso sobre equipos de cocina de gas y eléctricos.
- Para usarse sobre cocinas con anchura máxima de 36 pulgadas.
- Limpie con frecuencia las campanas extractoras – no debe dejarse que la grasa se acumule en la campana o en el filtro.
- Cuando esté cocinando alimentos con llama debajo de la campana, ponga el ventilador a funcionar.
- Limpie con cuidado el filtro de la campana extractora. Los productos de limpieza corrosivos, tales como los limpiadores de horno a base de lejía, pueden dañar el filtro.

– GUARDE ESTAS INSTRUCCIONES –

PRECAUCIONES PARA EVITAR LA POSIBLE EXPOSICIÓN EXCESIVA A LA ENERGÍA DE LAS MICROONDAS

- (a) No trate de poner en funcionamiento este horno de microondas con la puerta abierta, pues esto puede causar la exposición perjudicial a la energía del microondas. Es importante no desactivar ni forzar los intercierres de seguridad.
- (b) No coloque ningún objeto entre la cara frontal del horno y la puerta ni deje que se acumulen residuos de polvo o de productos de limpieza en las superficies de sellado.
- (c) No use el horno si está dañado. Es muy importante que la puerta del horno se cierre debidamente y que no estén dañados:
 - (1) La puerta (doblada),
 - (2) Las bisagras y pestillos (quebrados o flojos),
 - (3) Los cierres herméticos de la puerta o las superficies de sellado.
- (d) El horno no debe ser regulado ni reparado por ninguna persona que no sea un miembro calificado del personal de servicio.

Requisitos eléctricos

Cumpla con todos los códigos y reglamentos vigentes. Se requiere un suministro eléctrico de 120 voltios, 60 hertz, sólo de CA, 15 ó 20 amperios con fusible. (Se recomienda un fusible de retardo). Se recomienda el uso de un circuito eléctrico independiente para la alimentación de este aparato.

⚠ ADVERTENCIA



Peligro de Choque Eléctrico

Conecte a un contacto de pared de conexión a tierra de 3 terminales.

No quite el terminal de conexión a tierra.

No use un adaptador.

No use un cable eléctrico de extensión.

No seguir estas instrucciones puede ocasionar la muerte, incendio o choque eléctrico.

INSTRUCCIONES DE CONEXIÓN A TIERRA

Para todos los aparatos electrodomésticos conectados con cable de alimentación: Este horno de microondas debe ser conectado a tierra. En caso de un cortocircuito eléctrico, la conexión a tierra reduce el riesgo de un choque eléctrico al proporcionar un alambre de escape a la corriente eléctrica. El horno de microondas está equipado con un cable de alimentación provisto de un alambre de conexión a tierra con un enchufe de conexión a tierra. El enchufe debe ser conectado a un tomacorriente debidamente instalado y conectado a tierra.

ADVERTENCIA: El uso indebido de la conexión a tierra puede ocasionar riesgo de choque eléctrico.

Consulte con un electricista calificado o técnico de servicio si no entiende completamente las instrucciones de conexión a tierra o si tiene dudas sobre si el horno de microondas está conectado a tierra correctamente.

No use cordón de extensión. Si el cable de alimentación eléctrica es muy corto, haga que un electricista calificado o un técnico de servicio instale un tomacorriente cerca del horno de microondas.

Para un aparato electrodoméstico permanentemente conectado:

Este horno de microondas debe ser conectado a un sistema de instalación eléctrica definitiva, metálico y puesto a tierra, o debe instalarse un conductor a tierra para el material en los conductores de circuito y conectarse al terminal o alambre de conexión a tierra para el material en el horno microondas.

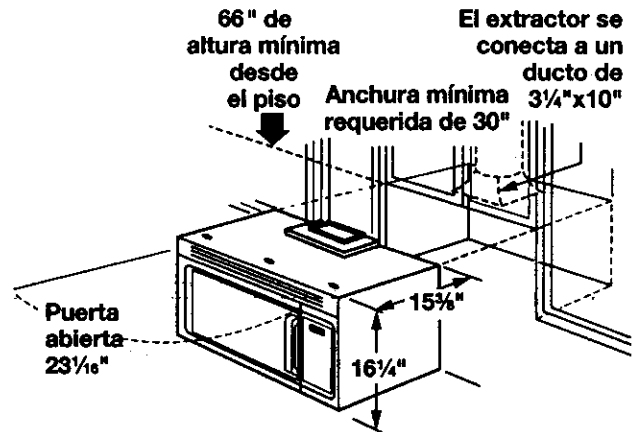
Instrucciones de instalación

Requerimientos de espacio

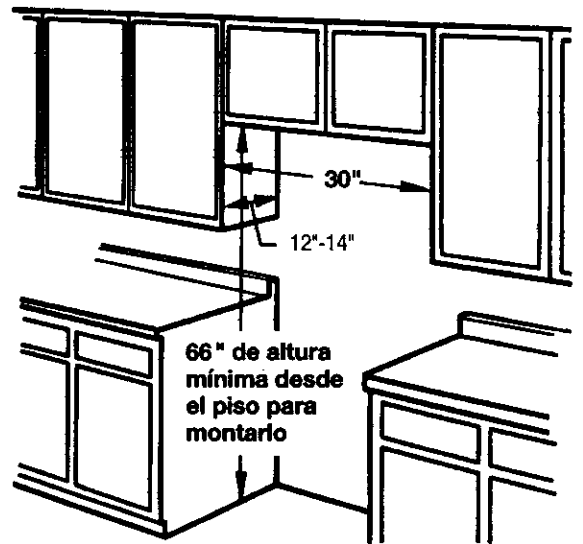
NOTA: Debe haber por lo menos una clavija de conexión en la abertura del gabinete.

Verifique el espacio donde se va a instalar el horno de microondas. La ubicación debe tener las siguientes características:

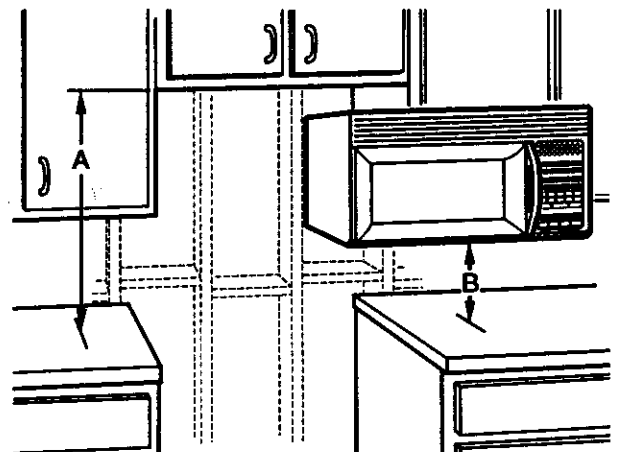
- 2 x 4 pulgadas de resalto de contactos de madera y $\frac{3}{8}$ pulgadas de grosor de pared seca o de listones y yeso
- Soporte del peso (150 libras) del horno de microondas más el peso de los artículos que se pondrán en el horno o en el gabinete superior
- 30 pulgadas de ancho mínimo
- 13 $\frac{1}{2}$ " pulgadas de espacio libre entre la parte de abajo de su horno de microondas y la parte superior de la superficie para preparar los alimentos
- Protección contra corrientes de aire provenientes de ventanas, puertas y ventilas de calefacción
- Toma de corriente con conexión a tierra (vea "Requerimientos eléctricos" en la sección "Seguridad del horno de microondas")



El paquete incluido listo para operación sin ventilación (recircular), lo adapta para descarga por la parte superior o por la parte trasera.



DIMENSIONES CRÍTICAS	
A	Mínimo 30" entre la superficie para cocinar (o de la barra) bajo el horno de microondas y la parte superior del soporte de montaje a la pared
B	Mínimo 13 $\frac{1}{2}$ " entre la superficie para cocinar (o altura de la barra) y la parte baja del horno de microondas



Desmontar y reinstalar el horno de microondas

⚠️ ADVERTENCIA

Peligro de Peso Excesivo

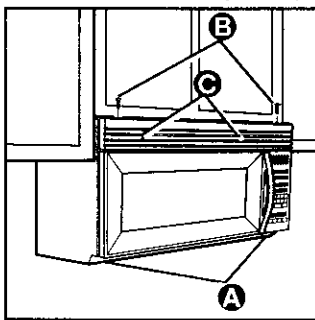
Use dos o más personas para mover o instalar del horno de microondas.

No seguir esta instrucción puede ocasionar una herida a la espalda u otra herida.

Si necesita desmontar su combinación Microondas Campana por algún motivo, siga estos sencillos pasos:

Para desmontar:

1. Desenchufe el horno de microondas o desconecte el suministro de energía.
2. Quite los filtros y la rejilla de ventilación.

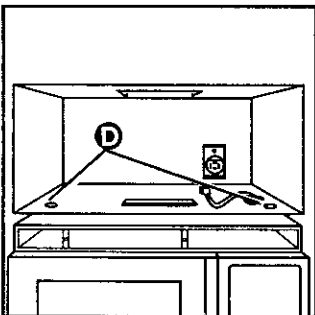


- Si los filtros **A** están instalados, presione hacia dentro, empuje la lengüeta y deslice el filtro a la orilla para quitarlo.
- Quite los dos tornillos **B** de la parte superior del gabinete del horno de microondas (los

tornillos ubicados más cerca de las esquinas del frente). No quite los tornillos que se encuentran más hacia el centro del gabinete.

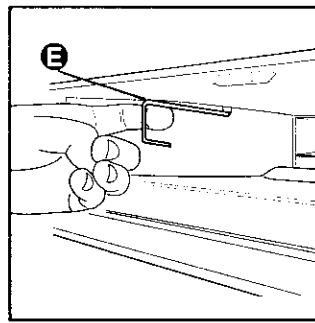
- Quite la rejilla de ventilación **C**. Ponga a un lado los tornillos y la rejilla. (Si no puede quitar la rejilla, ver el punto 4).

3. Después de vaciar completamente el interior del



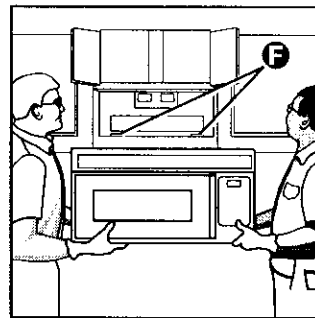
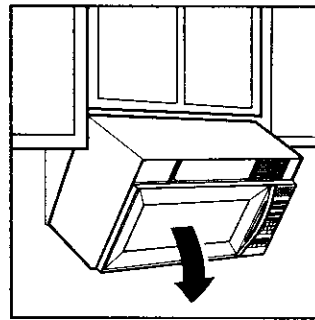
- horno, incluyendo el plato giratorio y el soporte, selle la puerta con cinta adhesiva. Quite los dos tornillos **D** que aseguran al horno de microondas a la parte superior del gabinete.

4. Con una mano detenga en su sitio a la combinación microondas campana. Jale el gancho **E** para liberar la combinación microondas campana de la placa donde se monta. Si no se puede quitar la rejilla (ver las instrucciones en el punto 2), inserte un alambre delgado en forma de lazo o alguna



herramienta parecida a través de una abertura en la rejilla para jalar el gancho.

5. Torne el horno de microondas. Gire el horno de microondas hacia abajo. (Tenga cuidado para evitar que la puerta se abra de golpe.) Levante las lengüetas de soporte **F** en la parte de abajo de la placa donde se monta. Ponga el horno de microondas en una superficie protegida.

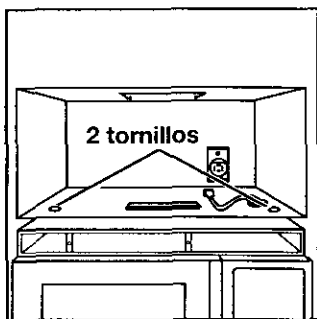


continúa en la siguiente página

Desmontar y reinstalar el horno de microondas (cont.)

Para reinstalar:

1. Levante cuidadosamente el horno de microondas y cuélguelo de las lengüetas de soporte en la parte de abajo de la placa donde se monta.
2. Gire la parte del frente del gabinete del horno de microondas hacia abajo. Pase el cable de corriente a través del orificio para el cable de corriente al final del gabinete superior.
3. Gire el horno de microondas hacia el gabinete. Empuje el horno de microondas contra la placa de montaje hasta que los pernos de seguridad produzcan un chasquido al entrar al gabinete.
4. Atornille los dos tornillos de seguridad del horno de microondas que lo sujetan al gabinete superior.
5. Retire la cinta adhesiva, y coloque los soportes y el plato giratorio en sus posiciones.
6. Coloque la rejilla de ventilación.
7. Coloque los dos tornillos en la parte superior del gabinete del horno de microondas (los tornillos ubicados más cerca de las esquinas del frente).
8. Reemplace los filtros (consulte "Cómo instalar y cuidar filtros", en la sección "Cómo cuidar su horno de microondas" en caso de ser necesario).
9. Enchufe el horno de microondas o reconecte el suministro de energía.



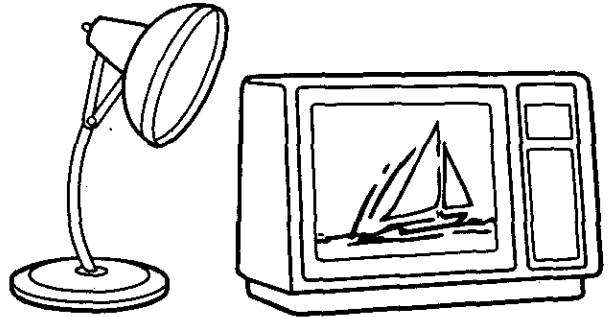
Conozca su horno de microondas

Esta sección trata acerca de los conceptos que encierra la cocina con microondas. También le muestra los conceptos básicos que necesita conocer para operar su horno de microondas. Por favor, lea esta información antes de utilizar su horno de microondas.

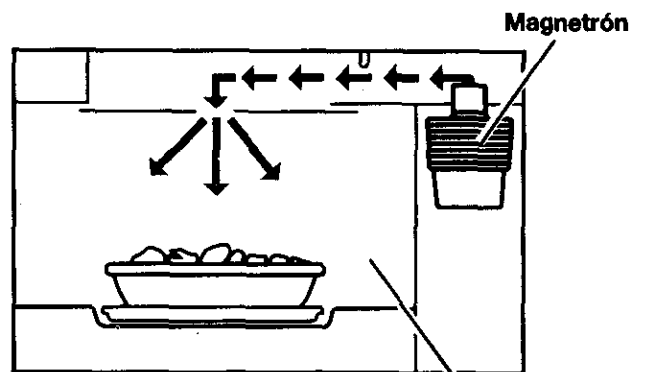
Cómo funciona su horno de microondas

Los hornos de microondas son seguros. La energía por microondas no es caliente. Provoca que la comida produzca su propio calor y es este calor el que cuece los alimentos.

Las microondas son como las ondas de TV o como las ondas de luz. Usted no las puede ver, pero sí ve lo que hacen.

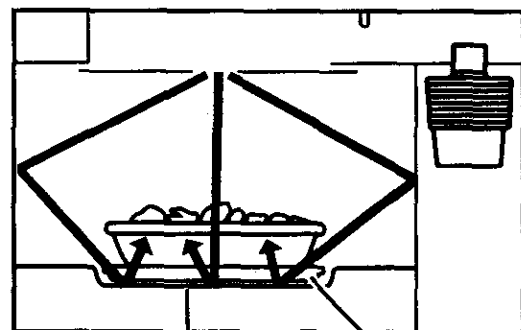


El magnetrón en el horno de microondas produce microondas. Las microondas se mueven hacia el interior del horno donde hacen contacto con la comida mientras que ésta gira en el plato giratorio.



Interior del horno

El plato giratorio de vidrio de su horno de microondas permite pasar las microondas. Luego rebotan contra la superficie metálica, regresan al plato giratorio de vidrio y después las absorben los alimentos.

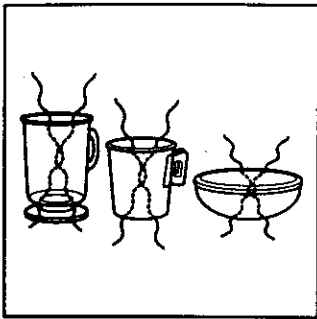


Superficie de metal Plato giratorio

continúa en la siguiente página

Cómo funciona su horno de microondas (cont.)

Las microondas pasan a través del vidrio, papel y plástico sin calentarlos, así que son los alimentos los que absorben la energía.



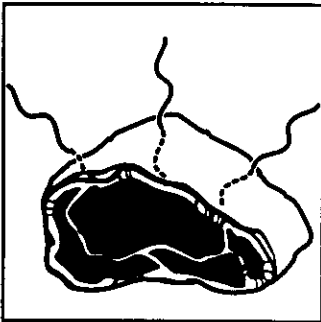
Las microondas rebotan contra los recipientes de metal, así que la comida no logra absorber la energía.

NOTA: No fría alimentos en el horno. Los recipientes para microondas no son apropiados para freír y además resulta muy difícil mantener la temperatura necesaria.

Para obtener mejores resultados al cocinar

- Siempre cocine los alimentos en el tiempo mínimo recomendado. Revise cómo se va cocinando la comida. Si es necesario, oprima el botón **ADD ONE MINUTE (UN MINUTO MÁS)** mientras el horno se encuentra en operación o después de que haya concluido el ciclo de cocción (vea la sección "Cómo utilizar **ADD ONE MINUTE**").
- Para asegurarse que los alimentos estén completamente cocidos, remuévalos o voltéelos.
- Si no tiene la tapa de un recipiente, use papel encerado o toallas de papel para microondas o envolturas de plástico para microondas. Recuerde hacer un doblez de ½ cm a 1 cm en una esquina de la envoltura de plástico para ventilar el vapor al calentar o cocinar.

Al rostizar, es posible que las microondas no alcancen el centro de la pieza de carne. El calor se distribuye hacia el centro desde las áreas exteriores cocidas tal y como sucede al cocinar con hornos tradicionales. Esta es una de las razones para dejar reposar algunos



alimentos (por ejemplo, piezas rostizadas o papas horneadas) un tiempo después de cocinarlos o para mover algunos alimentos durante el tiempo de cocción.

Las microondas alteran las moléculas del agua en la comida. Al rebotar las moléculas unas contra otras, se produce el calor, como cuando junta sus manos y las frota. Este es el calor que cocina.

Interferencia con ondas de radio

Al usar su horno de microondas, se puede producir una interferencia en su radio, TV o equipos similares. Cuando haya interferencia, la puede reducir o eliminar haciendo uno o varios de los siguientes movimientos:

- Limpie la puerta y los empaques del horno.
- Ajuste la antena receptora del radio o televisión.

- Retire el radio o TV del horno de microondas.
- Conecte el horno de microondas en un contacto diferente para que el horno de microondas y el radio o TV estén en distintos circuitos eléctricos.

Para probar su horno de microondas

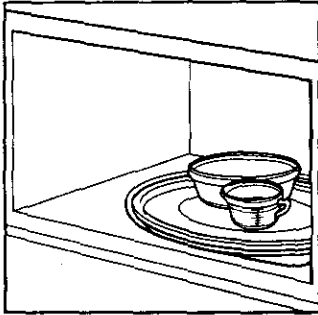
Para probar el horno ponga una taza de agua fría en un recipiente de vidrio dentro del horno. Cierre la puerta y asegúrese de que cierre herméticamente. Siga las instrucciones en "Cocine con energía alta de cocción" en la



sección de "Cómo utilizar su horno de microondas" para programar el horno a que cocine por 2 minutos. Cuando el tiempo termine, el agua deberá estar caliente.

Cómo probar su vajilla y recipientes de cocina

Pruebe su vajilla y sus recipientes antes de usarlos.

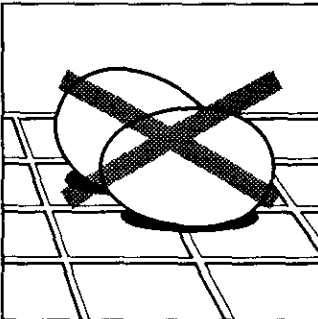


Para comprobar que un plato se pueda usar en el microondas, colóquelo dentro del horno junto con una taza de agua. Cocine al 100% de la energía de cocción durante 1 minuto. **Si el plato se calienta y el agua permanece fría, no lo use.**

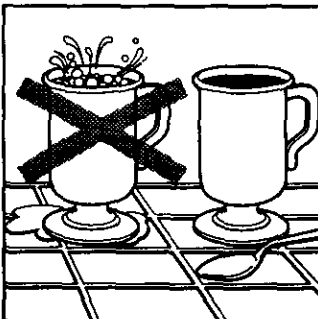
Algunos platos (de melamina, algunas vajillas de cerámica, etc.) absorben la energía de microondas, calentándose demasiado, como para manejarlos y retardan los tiempos de cocción. El cocinar en recipientes de metal no diseñados para uso en microondas podría dañar el horno, al igual que los recipientes con metal no visible (con alambres de sujeción, con recubrimientos de aluminio, grapas o aros y decorados metálicos).

Medidas de seguridad de operación

Nunca cocine o recaliente un huevo entero con todo y cascara. La acumulación de vapor dentro de un huevo entero pueden provocar que explote y le cause quemaduras a usted y posiblemente dañe el horno. **Rebane** los huevos cocidos antes de calentarlos. Se ha sabido que en raras ocasiones los huevos poché explotan. **Cubra** los huevos poché y **déjelos** reposar durante 1 minuto antes de abrirlos.

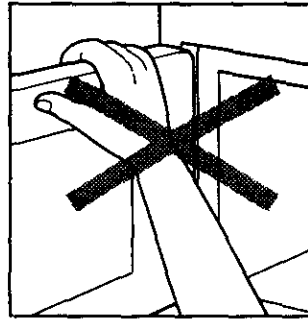


Para mejores resultados, **mueva cualquier líquido varias veces durante el calentamiento o el recalentamiento.** Los líquidos que se calientan en ciertos recipientes (especialmente recipientes en forma de cilindro) pueden sobrecalentarse. El líquido puede salpicar haciendo un fuerte ruido al calentarlo o después de hacerlo, o al agregar ciertos ingredientes (granos de café, bolsas de té, etc.). Esto puede dañar el horno y posiblemente herir a alguien.

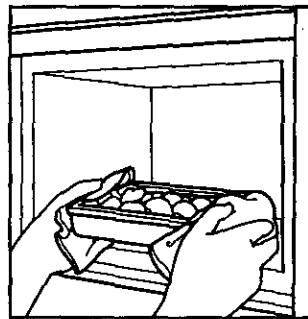


Utilice guantes de cocina. La energía de microondas no calienta directamente los recipientes, pero el calor de los alimentos puede hacer que el recipiente se caliente.

Nunca se recargue en la puerta ni permita que un niño se cuelgue de ella cuando esté abierta. Podría lastimarse.



Utilice guantes de cocina. La energía de microondas no calienta directamente los recipientes, pero el calor de los alimentos puede hacer que el recipiente se caliente.



continúa en la siguiente página

Medidas de seguridad de operación (cont.)

No cueza las papas demasiado. Podría provocar un incendio. Cuando termine el tiempo de cocción recomendado, las papas deberán estar ligeramente firmes porque se seguirán cocinando durante el tiempo de reposo. **Después de cocinarlas en el microondas, déjelas**

reposar durante 5 minutos. Terminarán de cocerse mientras reposan.

No encienda el horno cuando esté vacío. La vida de este producto puede acortarse.

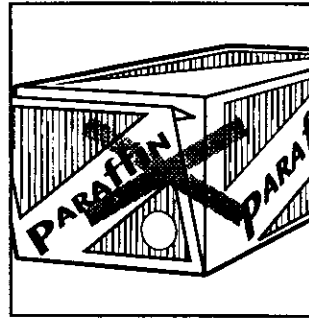
Si trata de programar el horno, **ponga un recipiente con agua en el mismo.**

Es común que la puerta del horno se vea ondulada después de haber funcionado durante cierto tiempo.

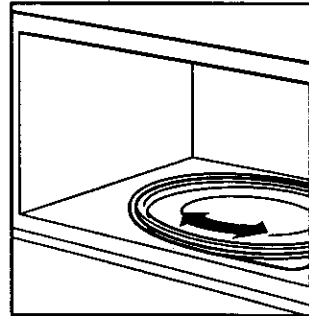
No utilice papel periódico ni ningún otro papel con impresión en el horno. Podría provocar un incendio.

No seque flores, fruta, hierbas, madera, papel, jcaras, ni ropa en el horno. Podría provocar un incendio.

No trate de derretir cera parafina en el horno. La parafina no se derrite en el horno porque permite que las microondas la traspasen.



No opere el horno de microondas a menos que el plato giratorio esté bien asegurado en su lugar, y pueda girar libremente en los rodillos de soporte. El plato giratorio debe poder girar en cualquier dirección.



Asegúrese de que los rodillos estén totalmente dentro del

círculo del centro del plato giratorio; esto permitirá que el plato giratorio dé vueltas correctamente.

Asegúrese de que el plato giratorio se encuentre cara arriba dentro del horno. Coloque con todo cuidado sus recipientes sobre el plato giratorio para evitar romperlo.

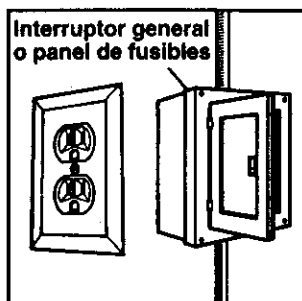
Maneje su plato giratorio cuidadosamente al retirarlo del horno para evitar romperlo. Si su plato giratorio llegara a estrellarse o a romperse, contacte a Sears para que se lo cambie.

Cuando utilice un recipiente para dorar, la parte inferior de éste deberá estar, al menos, a $\frac{3}{16}$ pulgadas (.5 cm) por arriba del plato giratorio. Siga las instrucciones que se incluyen en el plato para dorar.

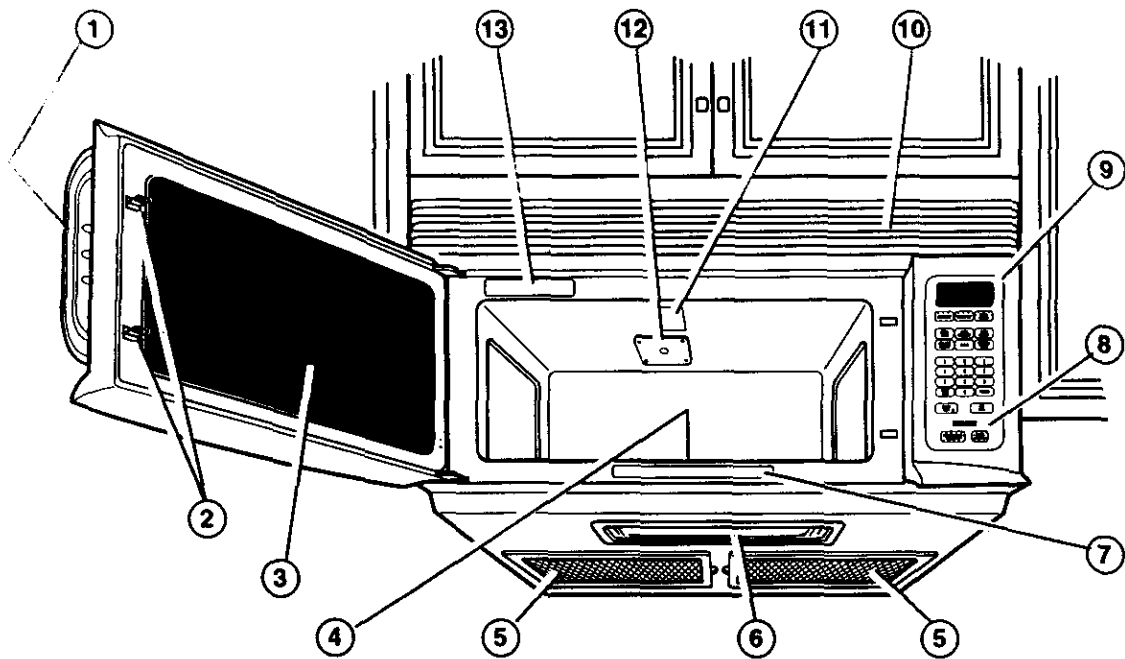
Conexión eléctrica

Si el voltaje de su línea de energía eléctrica o

contacto es menor a 110 voltios, los tiempos de cocción serán mayores. Haga que un electricista calificado revise su instalación eléctrica.



Funciones del horno de microondas

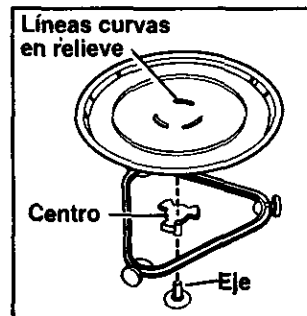


Su horno de microondas está diseñado para hacer del cocinar una experiencia tan agradable y productiva como sea posible. Para ayudarle a estar preparado y listo rápidamente, la siguiente es una lista de las funciones básicas de su horno de microondas:

1. **Asa de la puerta.** Jale para abrir la puerta.
2. **Sistema de seguro para la puerta.** El horno no operará a menos de que la puerta esté cerrada o asegurada.
3. **Ventana con escudo de metal.** El escudo evita que se escapen las microondas. Está diseñado como pantalla para permitirle ver los alimentos mientras se cocinan.
4. **Plato giratorio de vidrio** (Número de parte 4393751) (no se muestra). Incluido en el interior del horno – vea las instrucciones de instalación más adelante. Este plato giratorio da vuelta a los alimentos mientras se cocinan para una cocción más uniforme. Para mejores resultados, este plato giratorio debe estar dentro del horno mientras esté operando. El plato giratorio está hundido en el piso del interior del horno para darle más espacio para cocinar y mejores resultados al cocinar. Vea las páginas 53, 56, 80, 88, y 90 para mayores detalles.
5. **Filtros de carbón y grasa.** Incluido en el interior del horno. Vea la página 81 para las instrucciones de instalación e información de limpieza.
6. **Luz para la superficie donde prepara los alimentos.** Encienda la luz para iluminar la superficie donde prepara los alimentos o utilícela como una luz nocturna. Vea la página 61 para mayor información.
7. **Etiqueta de guía de cocina.** Utilícela como una referencia rápida para ver los programas para cocción automática, recalentado automático, descongelación automática, palomitas de maíz y bebidas.
8. **Interruptores del extractor y de la luz de la superficie para preparar alimentos.** Vea la página 61 para mayor información.
9. **Panel de control.** Oprima los botones en este panel para realizar todas las funciones. Vea las páginas 58-60 para mayor información.
10. **Rejilla de ventilación.**
11. **Luz interior del horno.**
12. **Cubierta interna del horno de microondas.**
13. **Placa con el modelo y número de serie.** Vea la página 86 para más información.

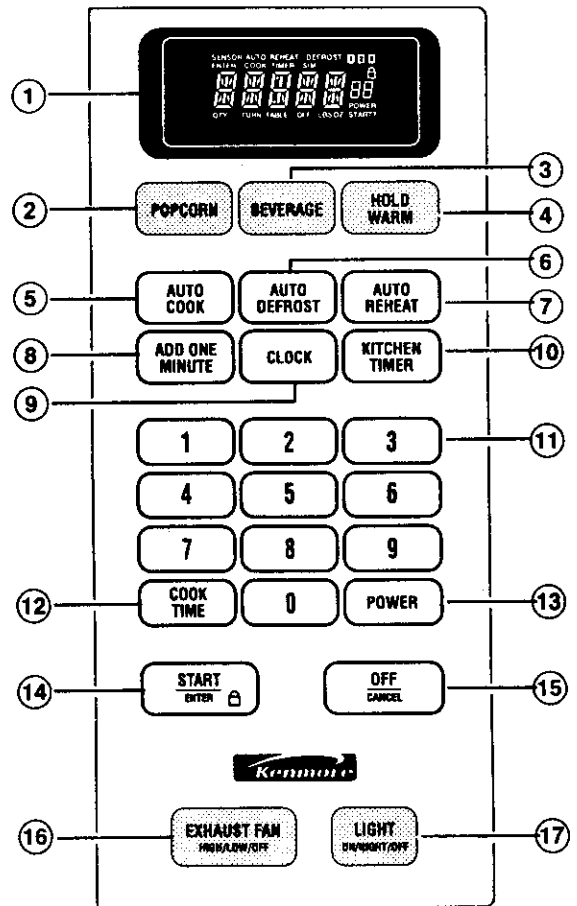
Para instalar el plato giratorio en su soporte:

- Inserte el eje (Número de parte 4393754) en el centro.
- Coloque el soporte (Número de parte 4393752) en el fondo de la cavidad.
- Coloque el plato giratorio en el centro. Cerciñese de que las líneas curvas en relieve del centro de la parte inferior del plato giratorio estén entre los tres "rayos" del centro.
- Los rodillos (Número de parte 4393753) del soporte deberán entrar en el carril de la parte inferior del plato giratorio.
- El plato giratorio rota lo mismo en el sentido de las manecillas del reloj que en sentido contrario. Esto es normal.



Funciones del panel de control

1. **Pantalla.** Esta pantalla incluye un reloj e indicadores para mostrarle la hora del día, valores del tiempo de cocción y funciones de cocción para que usted elija.
2. **POPCORN (PALOMITAS).** Oprima este botón cuando prepare palomitas de maíz en su horno de microondas. El horno se calentará automáticamente por un tiempo preestablecido a una energía de cocción preestablecida. Vea la página 75 para mayor información.
3. **BEVERAGE (BEBIDAS).** Oprima este botón para calentar una o dos tazas de una bebida. El horno se calentará de manera automática por un tiempo preestablecido a una energía de cocción preestablecida. Vea la página 76 para mayor información.
4. **HOLD WARM (CONSERVAR CALIENTE).** Oprima este botón para conservar calientes los alimentos cocinados en su horno de microondas hasta por 99 minutos, 99 segundos. HOLD WARM se puede utilizar individualmente o puede seguir un ciclo de cocción. Vea la página 77 para mayor información.
5. **AUTO COOK (COCCIÓN AUTOMÁTICA).** Oprima este botón para cocinar los alimentos preparados para microondas sin tener que programar los tiempos ni las energías de cocción. Vea la página 69 para mayor información.
6. **AUTO DEFROST (DESCONGELAR AUTOMÁTICO).** Oprima este botón para descongelar los alimentos helados sin tener que programar los tiempos ni las energías de cocción. Vea la página 71 para mayor información.
7. **AUTO REHEAT (RECALENTADO AUTOMÁTICO).** Oprima este botón para recalentar los alimentos preparados para microondas sin tener que programar los tiempos ni las energías de cocción. Vea la página 70 para mayor información.
8. **ADD ONE MINUTE (UN MINUTO MÁS).** Oprima este botón para cocinar por un minuto, a una energía de cocción del 100% o para agregar un minuto extra a un ciclo de cocción al nivel de poder que estableció. Vea la página 62 para mayor información.
9. **CLOCK (RELOJ).** Oprima este botón para programar la hora correcta del día. Vea la página 60 para mayor información.



Funciones del panel de control (cont.)

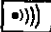
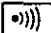
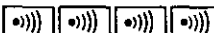
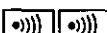
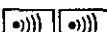
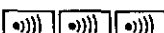
10. **KITCHEN TIMER (CRONÓMETRO).** Oprima este botón para programar el cronómetro de cocina. Vea la página 63 para mayor información.
11. **Botones numéricos.** Oprima los botones numéricos para introducir el tiempo de cocción, nivel de energía de cocción, cantidades, pesos o categorías de alimentos.
12. **COOK TIME (TIEMPO DE COCCIÓN).** Oprima este botón seguido de los botones numéricos para programar un tiempo de cocción. Vea las páginas 65, 66 y 68 para mayor información.
13. **POWER (ENERGÍA).** Oprima este botón después de programar el tiempo de cocción, seguido de los botones numéricos para programar la cantidad de energía de microondas a usar para cocinar los alimentos. También oprima este botón para aumentar o disminuir un tiempo de cocción programado. Vea las páginas 65-69 para mayor información.
14. **START/ENTER (INICIAR/PROGRAMAR).** Oprima este botón para iniciar una función. Vea la página 60 para mayor información.
15. **OFF/CANCEL (APAGAR/CANCELAR).** Oprima este botón para borrar una instrucción incorrecta, cancelar un programa durante la cocción o limpiar la pantalla. Vea la página 60 para mayor información.
16. **EXHAUST FAN HIGH/LOW/OFF (EXTRACTOR ALTO/BAJO/APAGADO).** Oprima este botón para encender el extractor en velocidad alta o baja. También utilícelo para apagar el extractor. Vea la página 61 para mayor información.
17. **LIGHT ON/NIGHT/OFF (LUZ ENCENDIDA/NOCTURNA/APAGADA).** Oprima este botón para encender la luz o luz nocturna o apagarla. Vea la página 61 para mayor información.

OBSERVACIONES:

- Si introdujo los valores para una función pero no oprimió START/ENTER en 5 segundos, aparecerá el indicador START? (INICIAR?).
- Si abre la puerta mientras el horno está funcionando y luego la cierra aparecerá el indicador START?. Oprima START/ENTER para continuar.
- Si elige una función pero no oprime otro botón de comando en un minuto, la pantalla regresará a la hora del día y tendrá que empezar de nuevo.

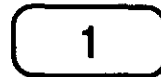
Señales Sonoras

Su horno de microondas emite señales sonoras que le pueden guiar al programar o utilizar su horno:

-  Un tono de programación sonará cada vez que oprima un botón
-  Un tono largo indica que terminó la cuenta regresiva del cronómetro de la cocina.
-  Cuatro tonos indican que terminó el ciclo de cocción.
-  Dos tonos cortos y rápidos suenan cada vez cada minuto durante los primeros 15 minutos después de la señal de fin de ciclo de cocción como recordatorio si no se han sacado los alimentos del horno.
-  Dos tonos cortos y rápidos sonarán al entrar y salir de una función no visible, (por ejemplo, seguro para niños), hora del día o siguiente pantalla con prioridad más alta.
-  Sonarán tres tonos si hizo una entrada errónea.

Para desactivar las señales sonoras:

OPRIMA



durante 4 segundos

Para activarlas de nuevo:

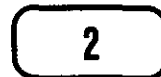
OPRIMA



durante 4 segundos

Para desactivar todas las señales sonoras excepto la de fin del cronómetro:

OPRIMA



durante 4 segundos

continúa en la siguiente página

Funciones del panel de control (cont.)

Para activar de nuevo las señales:

OPRIMA



durante 4 segundos

NOTA: Dos tonos sonarán cuando se activen o desactiven la señales sonoras.

Cómo interrumpir la cocción

Puede detener el funcionamiento del horno durante un ciclo si abre la puerta. El horno deja de calentar y se detiene el extractor pero la luz permanece encendida. Para reiniciar la cocción cierre la puerta y

OPRIMA



Si no desea continuar cocinando:

- Cierre la puerta y se apagará la luz.

o

- OPRIMA



NOTA: Antes de programar una función oprima OFF/CANCEL (APAGAR/CANCELAR) para asegurarse de que no esté activa ninguna otra función.

Cómo utilizar el seguro para niños


El seguro para niños del panel de control lo bloquea para que los niños no puedan utilizar el horno de microondas si usted no desea que lo hagan.

Para bloquear el panel de control, realice lo siguiente:

OPRIMA



durante 4 segundos


Se escucharán dos tonos y aparecerá  en la pantalla. Cuando se haya bloqueado el panel de control, se escucharán tres tonos y aparecerá LOCK (BLOQUEAR) cuando oprima cualquiera de los botones a excepción del EXHAUST FAN (EXTRACTOR) y luz, los números 1 y 2, y START/ENTER (INICIAR/PROGRAMAR).

Para desbloquear el panel de control realice lo siguiente:

OPRIMA



durante 4 segundos

Se escucharán dos tonos y  se eliminará de la pantalla.

Cómo utilizar la función demostración/aprendizaje

Puede programar su horno de microondas para visualizar las instrucciones conforme las vaya introduciendo sin tener que encender el magnetrón. Esta función le ayudará a aprender cómo utilizar su horno sin necesidad de cocinar realmente comida.

Para programar la función de aprendizaje:

OPRIMA



durante 4 segundos

Se escucharán dos tonos y aparecerá una pequeña "d" en la pantalla.

Para cancelar la función demostración/aprendizaje, realice lo siguiente:

OPRIMA



durante 4 segundos

Se escucharán dos tonos y desaparecerá la "d" de la pantalla.

Cómo utilizar el extractor

El botón en la parte inferior izquierda del panel de control regula el extractor de 2 velocidades.

1. Elija la velocidad del extractor.

NOTA: Si la temperatura de la superficie inferior de cocción o su margen llegara a calentarse demasiado, el extractor en la campana de ventilación se activará automáticamente en la velocidad HIGH (ALTA) para proteger el horno. **Es posible que permanezca encendido hasta por una hora para enfriar el horno. Si esto ocurre, el botón FAN (EXTRACTOR) no apagará el ventilador.**

OPRIMA



(una vez para velocidad alta y dos veces para velocidad baja)

2. Apague el ventilador cuando lo desee.

OPRIMA



(1 ó 2 veces, dependiendo de la velocidad del ventilador)

Cómo utilizar la luz para la la superficie de preparación de alimentos

El botón en la parte inferior derecha del panel de control regula la luz de para la superficie de preparación de alimentos/tablero.

1. Encienda la luz.

OPRIMA



(una vez para luz estándar y dos veces para luz nocturna)

2. Apague la luz cuando lo desee.

OPRIMA



(1 ó 2 veces, dependiendo de la programación de la luz)

Cómo programar el reloj

Cuando conecte por primera vez su horno de microondas o después de una falla eléctrica, la pantalla desplegará el signo ":" de manera intermitente. Si no se programa una hora, el signo ":", destellará hasta que presione algún botón.

OBSERVACIONES:

- Si selecciona una hora no válida y oprime CLOCK (RELOJ), se escucharán 3 tonos. Introduzca la hora correcta.
- Si oprime OFF/CANCEL (APAGAR/CANCELAR) al programar el reloj, la pantalla desplegará la última hora que se programó del día.
- Para apagar el reloj, oprima CLOCK, el número 0 y CLOCK nuevamente, la hora que se había programado desaparecerá y aparecerá el signo ":" en la pantalla

1. Oprima CLOCK.

OPRIMA



USTED VERÁ



2. Introduzca la hora del día.
Ejemplo para las 12:00:

OPRIMA



USTED VERÁ



3. Termine la programación.

OPRIMA



USTED VERÁ



Cómo utilizar el cronómetro

Puede utilizar su horno de microondas como un cronómetro. Utilice el cronómetro para cronometrar hasta 99 minutos y 99 segundos.

NOTA: El horno puede funcionar mientras se utiliza el cronómetro. Para ver el cronómetro mientras funciona el horno, oprima KITCHEN TIMER (CRONÓMETRO).

1. Oprima KITCHEN TIMER.

OPRIMA

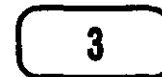


USTED VERÁ



2. Programe el tiempo a contar en forma regresiva.
Por ejemplo, para 1 minuto, 30 segundos:

OPRIMA



USTED VERÁ



NOTA: Si programa más de 4 dígitos, desaparecerán los primeros 4 y aparecerán los siguientes a la derecha.

3. Inicie la cuenta regresiva.

OPRIMA



o



USTED VERÁ



NOTA: Si no realiza este paso dentro de los 5 segundos después de realizar el paso 2, aparecerá "START?(¿INICIAR?)". Después tendrá 1 minuto para oprimir START/ENTER (INICIAR/INTRODUCIR) o para oprimir el KITCHEN TIMER (CRONÓMETRO) antes de que la pantalla vuelva a la hora del día.

Al final de la cuenta regresiva:

USTED VERÁ



(se escuchará un tono largo)

Para cancelar el cronómetro:

OPRIMA



USTED VERÁ



(hora del día)

Durante la cuenta regresiva:

Cómo utilizar ADD ONE MINUTE (UN MINUTO MÁS)

ADD ONE MINUTE permite cocinar los alimentos durante 1 minuto a un nivel de energía de cocción de 100%, o bien, agregar un minuto extra al ciclo de cocción. También lo puede utilizar para prolongar los ciclos de cocción en múltiplos de 1 minuto, hasta 99 minutos.

OBSERVACIONES:

- Para prolongar los ciclos de cocción en múltiplos de 1 minuto, oprima ADD ONE MINUTE repetidamente durante la cocción.
- Después de cerrar la puerta, puede introducir ADD ONE MINUTE sin tener que oprimir START/ENTER (INICIAR/INTRODUCIR).

- Si oprime ADD ONE MINUTE durante la cocción, el horno cocinará al nivel de energía de cocción seleccionada previamente. Si oprime ADD ONE MINUTE después de haber terminado la cocción, el horno cocinará al nivel de energía de cocción del 100%. Puede cambiar la temperatura de cocción si oprime POWER (ENERGÍA), después de haber oprimido el botón ADD ONE MINUTE, y luego oprimir los botones numéricos para determinar la nueva temperatura de cocción, y finalmente START/ENTER (INICIAR/INTRODUCIR).
- Puede utilizar ADD ONE MINUTE sólo para la función de ciclo de cocción.

1. Cerciórese de que la comida esté dentro del horno.

2. Oprima ADD ONE MINUTE.

Ejemplo, para cocinar durante 1 minuto:

OPRIMA



USTED VERÁ



Cómo cambiar los tiempos de cocción preestablecidos

Si algún tiempo de cocción preestablecido es demasiado largo o demasiado corto, puede prolongar o reducir el tiempo de cocción después de seleccionar AUTO COOK (COCCIÓN AUTOMÁTICA), AUTO REHEAT (RECALENTADO AUTOMÁTICO), AUTO DEFROST (DESCONGELADO AUTOMÁTICO),

POPCORN (PALOMITAS DE MAÍZ) o BEVERAGE (BEBIDAS). Sólo podrá cambiar los tiempos de cocción antes de iniciar éste. Por ejemplo, en AUTO REHEAT, después de seleccionar el tipo de comida e introducir la cantidad:

Para prolongar el tiempo de cocción:

OPRIMA



una vez

USTED VERÁ



(ejemplo para recalentar automáticamente)

Para reducir el tiempo de cocción:

OPRIMA



dos veces

USTED VERÁ



Para restablecer el tiempo de cocción original:

OPRIMA



tres veces

USTED VERÁ



Cómo utilizar su Horno de microondas

Esta sección le proporciona las instrucciones para operar cada función. Por favor, lea cuidadosamente estas instrucciones.

Cocinar a potencia de cocción alta

1. Coloque la comida dentro del horno y cierre la puerta.

2. Oprima COOK TIME (TIEMPO DE COCCIÓN).

OPRIMA



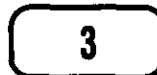
USTED VERÁ



3. Introduzca el tiempo de cocción.

Ejemplo para 1 minuto, 30 segundos:

OPRIMA



USTED VERÁ



4. Encienda el horno.

OPRIMA



USTED VERÁ



Al terminar el tiempo de cocción:

USTED VERÁ



(se escucharán cuatro tonos)

Cómo cambiar las instrucciones

Puede cambiar el tiempo de cocción en cualquier momento durante la cocción si repite los pasos 2, 3, y 4.

Cómo cocinar a diferentes energías de cocción

Para mejores resultados, algunas recetas requieren diferentes niveles de energía de cocción. Mientras menor sea la energía de cocción, más lenta será ésta. Cada número en el panel corresponde también a un porcentaje distinto de la energía de cocción. Muchas recetas en los recetarios de hornos de microondas le indican por número, porcentaje o nombre, el nivel de energía de cocción que debe utilizar.

El siguiente esquema le proporciona el porcentaje de energía de cocción para cada número en el panel correspondiente, así como el nombre de la energía de cocción que se utiliza más comúnmente. También le indica cuándo utilizar cada uno de los niveles de energía de cocción. Siga las instrucciones de la receta o del empaque, si las tiene.

NOTA: Consulte un recetario confiable para obtener los tiempos de cocción.

ENERGÍA DE COCCIÓN	NOMBRE	CUÁNDO SE UTILIZA
10=100% de la energía total (automática)	Alta	<ul style="list-style-type: none"> • Para calentar rápidamente muchos alimentos de fácil preparación y alimentos con alto contenido de agua, tales como sopas y bebidas • Para cocinar trozos pequeños de carne suave, carne molida, piezas de aves, filetes de pescado y la mayoría de los verduras
9=90% de la energía total		<ul style="list-style-type: none"> • Para calentar cremas
8=80% de la energía total		<ul style="list-style-type: none"> • Para calentar arroz, pasta o platillos al horno que se derramen
7=70% de la energía total	Media-Alta	<ul style="list-style-type: none"> • Para cocinar y calentar alimentos que necesiten una energía de cocción menor que la alta (por ejemplo, pescado entero y pastel de carne) o cuando la comida se esté cocinando demasiado rápido. • Para volver a calentar una sola porción de comida
6=60% de la energía total		<ul style="list-style-type: none"> • Para cocinar alimentos que requieran cuidados especiales, tales como queso y platillos a base de huevo, budines y natillas • Para cocinar platillos que no se derraman, tales como la lasaña
5=50% de la energía total	Media	<ul style="list-style-type: none"> • Para cocer jamón, aves enteras y asados a fuego lento • Para derretir chocolate
4=40% de la energía total		<ul style="list-style-type: none"> • Para cocer a fuego lento los estofados • Para calentar pastas
3=30% de la energía total	Media-Baja, Descongelar	<ul style="list-style-type: none"> • Para descongelar alimentos, tales como pan, pescado, carnes, aves y alimentos precocidos
2=20% de la energía total		<ul style="list-style-type: none"> • Para suavizar mantequilla, queso y helados
1=10% de la energía total	Baja	<ul style="list-style-type: none"> • Para mantener la comida caliente • Para quitarle lo frío a las frutas
<p>NOTA: Después de que haya introducido el tiempo de cocción, también podrá utilizar el botón de POWER (ENERGÍA) como un segundo cronómetro si introduce "0" como energía de cocción. El horno contará en forma regresiva el tiempo de cocción que estableció sin cocinar.</p>		

Cómo cocinar a diferentes energías de cocción (cont.)

1. Coloque su comida en el horno y cierre la puerta.

2. Oprima COOK TIME (TIEMPO DE COCCIÓN).

OPRIMA



USTED VERÁ



3. Introduzca el tiempo de cocción.
Por ejemplo, para 7 minutos, 30 segundos:

OPRIMA



USTED VERÁ



4. Establezca el nivel de energía de cocción.

OPRIMA

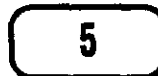


USTED VERÁ



Por ejemplo, para un nivel de energía de cocción del 50%:

OPRIMA



USTED VERÁ



(repita esta operación hasta que aparezca el nivel de energía de cocción deseado)

continúa en la siguiente página

Cómo cocinar a diferentes energías de cocción (cont.)

5. Encienda el horno.

OPRIMA



USTED VERÁ



Al terminar el tiempo de cocción:

USTED VERÁ



(se escucharán cuatro tonos)

Cómo cambiar las instrucciones

Puede cambiar el tiempo o la energía de cocción en cualquier momento si repite los pasos 2, 3 y/ó 4 y 5.

Cómo cocinar por pasos

Para mejores resultados, algunas recetas requieren una energía de cocción para un determinado lapso de tiempo y otra energía de cocción para otro lapso de tiempo. Puede programar su horno para cambiar de un nivel de energía a otro automáticamente hasta tres pasos diferentes.

Puede programar sus funciones de cocción en cualquier orden. Sin embargo, si utiliza AUTO DEFROST (DESCONGELADO AUTOMÁTICO), éste deberá ser el primer paso a realizar.

1. Coloque la comida en el horno y cierre la puerta.

2. Oprima COOK TIME (TIEMPO DE COCCIÓN).

OPRIMA



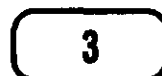
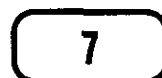
USTED VERÁ



3. Introduzca el tiempo de cocción para el primer paso.

Por ejemplo, para 7 minutos, 30 segundos:

OPRIMA



USTED VERÁ



Cómo cocinar por pasos (cont.)

4. Establezca la energía de cocción para el primer paso.

OPRIMA



USTED VERÁ



Ejemplo, para un nivel de energía de cocción del 50%:

OPRIMA



○



USTED VERÁ



(repita la operación hasta que aparezca la energía de cocción deseada)

5. Repita los pasos 2, 3 y 4 para programar el tiempo de cocción para cada paso adicional.

6. Encienda el horno.

OPRIMA



USTED VERÁ



Después de haber completado el primer paso, los siguientes se contarán de manera regresiva.

Al terminar el tiempo de cocción:

(el primer paso si cocina en dos pasos)

USTED VERÁ



(se escucharán 4 tonos)

Cómo cambiar las instrucciones

Puede cambiar los tiempos de cocción o los niveles de energía de un paso en cualquier momento después de que se inicie el proceso, si repite los pasos 2, 3 y/ó 4 y 5.

Cómo utilizar AUTO COOK (COCCIÓN AUTOMÁTICA)

Puede cocinar alimentos preparados para hornos de microondas seleccionando simplemente una cantidad y categoría. AUTO COOK tiene tiempos y niveles de energía de cocción preestablecidos para 7 categorías (ver el esquema siguiente).

Para utilizar AUTO COOK, siga estos pasos:

1. Oprima



una vez

Usted verá



2. Oprima AUTO COOK de 1 a 7 veces para seleccionar el tipo de comida.

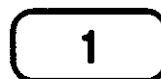


Ejemplo para arroz

una vez

O

Pulse un número del panel para seleccionar el tipo de comida.



Ejemplo para arroz

Usted verá



Ejemplo para arroz

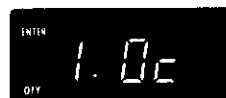


3. Oprima uno o más números del panel para introducir la cantidad.



Ejemplo para una taza

Usted verá



Ejemplo para una taza

4. Oprima



Usted verá



(cuenta regresiva puede variar)

OBSERVACIONES:

- Si no introduce una cantidad en dos segundos, AUTO COOK le solicitará que elija una cantidad. Tendrá 1 minuto para introducir la cantidad y para oprimir START/ENTER (INICIAR/INTRODUCIR). De no ser así, AUTO COOK se cancelará.
- Si pulsa AUTO COOK 8 veces, la pantalla volverá al programa para Arroz.
- Si necesitara más o menos tiempo de cocción, no oprima AUTO COOK de nuevo. Oprima el botón POWER (ENERGÍA) antes de oprimir START/ENTER. (Vea "Cambiar tiempos de cocción preestablecidos" en la sección "Conozca su").
- Cuando cocine tocino, tenga en cuenta que las diferencias de grasa, carne, espesor, y procesos de cuidado afectarán la cocción del tocino. También, los trozos regulares de tocino son aproximadamente 16 rebanadas por libra.

Cómo utilizar AUTO COOK (COCCIÓN AUTOMÁTICA) (cont.)

Esta tabla le muestra cómo seleccionar el tipo de comida y las cantidades que puede elegir para cada tipo.

COMIDA	OPRIMA AUTO COOK†	OPRIMA EL NÚMERO DEL PANEL	CANTIDADES QUE PUEDE ELEGIR
Arroz	una vez	1	0.5, 1, 1.5 ó 2 tazas†† (118 ml, 237 ml, 355 ml, ó 473 ml)
Verduras frescas	dos veces	2	1 a 4 tazas (237 ml a 946 ml)
Verduras congeladas	3 veces	3	1 a 4 tazas (237 ml a 946 ml)
Verduras enlatadas	4 veces	4	1 a 4 tazas (237 ml a 946 ml)
Tocino	5 veces	5	1 a 6 piezas de espesor normal
Entremeses congelados	6 veces	6	10 a 12 onzas ó 20 a 21 onzas††† (284 gr. a 340 gr. ó 567 gr. a 595 gr.)
Papa al horno	7 veces	7	1 a 4 papas, cada una de 10 a 13 onzas (de 280 gr. a 369 gr.)

† Debe oprimir AUTO COOK una vez antes de elegir el tipo de comida.

†† Programe 0.5 tazas al oprimir "0" y "5" o solamente "0" ó solamente "5". Programe 1.0 tazas al oprimir "1" y "0" o solamente "1". Programe 1.5 tazas al oprimir "1" y "5". Programe 2.0 tazas al oprimir "2" y "0" o solamente "2".

††† Programe de 10 a 12 onzas al oprimir "1". Programe de 20 a 21 onzas al oprimir "2".

Cómo utilizar AUTO REHEAT (RECALENTADO AUTOMÁTICO)

Puede volver a calentar alimentos preparados para hornos de microondas simplemente seleccionando una cantidad y categoría. AUTO REHEAT tiene tiempos y niveles de energía de cocción preestablecidas para 5 categorías (ver la tabla siguiente).

Para utilizar AUTO REHEAT, siga estos pasos:

1. Oprima



una vez

Usted verá



2. Oprima AUTO REHEAT de 1 a 5 veces para elegir el tipo de comida.



una vez

Ejemplo para 1 rebanada

O

Oprima un número del panel para elegir el tipo de comida.



una vez

Ejemplo para 1 rebanada

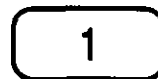
Usted verá



Ejemplo para 1 rebanada



3. Oprima un número del panel para introducir la cantidad.



Ejemplo para 1 rebanada de pizza.

Usted verá



Ejemplo para 1 rebanada de pizza.

4. Oprima



Usted verá



(cuenta regresiva puede variar)

OBSERVACIONES:

- Si no introduce una cantidad en 2 segundos, AUTO REHEAT le solicitará que elija una cantidad. Tendrá 1 minuto para introducir una cantidad y pulsar START/ENTER (INICIAR/INTRODUCIR). De no ser así, AUTO REHEAT se cancelará.
- Si pulsa AUTO REHEAT 6 veces, la pantalla volverá al programa para rebanada de pizza.
- Si necesita más, o menos tiempo de cocción, no oprima AUTO REHEAT nuevamente. Oprima el botón de POWER (ENERGÍA) antes de oprimir START/ENTER. (Vea "Cambiar tiempos de cocción preestablecidos" en la sección "Conozca su").
- Cuando caliente nuevamente un muffin o bagel grande (4 onzas), utilice el programa para 2 piezas. El programa para 1 pieza calienta 1 muffin o bagel de tamaño regular, ó 2 panes de cenar pequeños.

Esta tabla le mostrará cómo elegir el tipo de comida y las cantidades que puede seleccionar para cada tipo.

COMIDA	OPRIMA AUTO REHEAT†	OPRIMA UN NÚMERO DEL PANEL	CANTIDADES QUE PUEDE ELEGIR
Rebanada de pizza	una vez	1	1 a 3 rebanadas, 5 onzas. (142 gr.) cada una
Sopa/Salsa	dos veces	2	1 a 4 tazas (237 ml a 946 ml)
Platillos al horno	3 veces	3	1 a 4 tazas (237 ml a 946 ml)
Alimentos homeados	4 veces	4	1 a 6 piezas, 2 onzas. (57 gr.) cada una
Plato (de comida)	5 veces	5	1 porción (ó 1 plato)

† Debe oprimir AUTO REHEAT una vez antes de elegir el tipo de comida.

Cómo utilizar AUTO DEFROST (DESCONGELADO AUTOMÁTICO)

Puede descongelar alimentos si elige una categoría y establece un peso. AUTO DEFROST tiene tiempos y niveles de energía de cocción preestablecidos para 3 categorías (vea la tabla siguiente).

Para utilizar AUTO DEFROST, realice los siguientes pasos:

1. Oprima



una vez

Usted verá



2. Oprima AUTO DEFROST de 1 a 3 veces para seleccionar el tipo de comida.



una vez

O

Pulse un número del panel para elegir el tipo de comida.

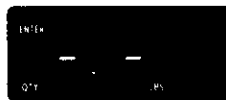


Ejemplo para carnes

Usted verá



Ejemplo para carnes



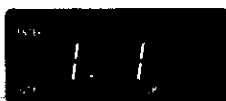
3. Oprima el número(s) de botón para introducir el peso.



dos veces

Ejemplo para 1.1 lbs.

Usted verá



Ejemplo para 1.1 lbs.

4. Oprima



Usted verá



(cuenta regresiva puede variar)

OBSERVACIONES:

- Si no introduce un peso en 2 segundos, AUTO DEFROST le solicitará que introduzca un peso. Tendrá 1 minuto para introducir el peso y para oprimir START/ENTER (INICIAR/INTRODUCIR). De no ser así, AUTO DEFROST se cancelará.
- Si introduce un peso mayor que el peso más alto permitido para su programación de alimentos, se escucharán 3 tonos y aparecerá en la pantalla "RETRY" (REINTENTAR) cuando oprima START/ENTER.
- Si selecciona AUTO DEFROST 4 veces, la pantalla volverá al programa para Carnes.
- Si necesita más o menos tiempo de descongelado, no oprima AUTO DEFROST nuevamente. Oprima el botón de POWER (ENERGÍA) antes de oprimir START/ENTER. (Vea "Cambiar niveles de energía de cocción preestablecidos" en la sección "Conozca su").
- Vea la "Tabla de auto defrost" más adelante en esta sección para ver las instrucciones para descongelar cada alimento.
- Para descongelar los artículos que no se encuentren en la tabla "auto defrost," utilice el 30% de la energía de cocción. Consulte un recetario confiable para obtener información acerca de la descongelación.

Para un descongelado parejo y completo

- La forma del empaque afecta la rapidez con la que se descongelarán los alimentos. Los empaques con poca profundidad se descongelarán más rápido que un envase profundo.
- Separe las piezas conforme empiecen a descongelarse los alimentos. Las piezas separadas se descongelan de manera más uniforme.
- Utilice pequeños pedazos de papel aluminio para proteger partes de los alimentos tales como alas de pollo, los extremos de las patas, colas de pescado o las áreas que empiecen a calentarse. Cerciórese de que el papel aluminio no toque los lados, el fondo o la parte superior del horno.

continúa en la siguiente página

Cómo utilizar AUTO DEFROST (DESCONGELADO AUTOMÁTICO) (cont.)

Esta tabla le indica la manera de elegir el tipo de comida y los pesos que puede establecer para cada tipo.

COMIDA	OPRIMA AUTO DEFROST†	OPRIMA EL NÚMERO DEL PANEL	PESOS QUE PUEDE ESTABLECER (en décimas de libra)
Carnes	una vez	1	1 a 6.6 (45 gr. a 2994 gr.)
Aves	dos veces	2	1 a 6.6 (45 gr. a 2994 gr.)
Pescado	3 veces	3	1 a 4.4 (45 gr. a 1996 gr.)

† Debe oprimir AUTO DEFROST una vez antes de elegir el tipo de comida.

Tabla de descongelado automático

Programación para carnes

ALIMENTO	INSTRUCCIONES ESPECIALES
Carne de res	Se debe cubrir con papel aluminio las partes grasosas o angostas de carnes grandes de forma irregular y cortes de carne grasosa al inicio de los ciclos de descongelado.
Carne molida	No descongele menos de ¼ de libra (133 gr).
Carne molida, Tortitas	No descongele menos de dos tortitas de 4 onzas (133 gr.).
Medallones, Lomo en bisteces, Estofado al horno, Estofado de espadilla, Estofado de rollos de carne	Coloque en una parrilla para rostizar en microondas.
Estofado	Coloque en un platón para hornear en microondas.
Cordero	
Cubos para estofado	Coloque en un platón para hornear en microondas.
Chuletas (1 pulgada [2.5 cm] de grueso)	Coloque en una parrilla para rostizar en microondas.
Cerdo	
Chuletas (½ pulgada [13 mm] de grueso), Hot Dogs, Costillas de cerdo, Costillas estilo campestre, Estofado de lomo (sin hueso), Salchichón	Coloque en una parrilla para rostizar en microondas.
Salchichón	Coloque en un platón para hornear en microondas.

Tabla de descongelado automático (cont.)

Programación para pescados

ALIMENTO	INSTRUCCIONES ESPECIALES
Pescados	
Filetes	Coloque en un platón para hornear en microondas. Separe cuidadosamente los filetes bajo agua fría.
Bisteces	Coloque en un platón para hornear en microondas. Haga correr agua fría sobre el pescado para terminar de descongelar.
Entero	Coloque en un platón para hornear en microondas. Cubra la cabeza y la cola con papel aluminio. No deje que el papel toque los lados del horno. Para terminar de descongelar sumerja en agua fría.
Mariscos	
Cangrejo, Colas de langosta, Camarón, Callo de hacha	Coloque en un platón para hornear en microondas.

Programación para aves

ALIMENTO	INDICACIONES ESPECIALES
Pollo	
Entero (hasta 9½ lbs [4.3 Kg])	Coloque el pollo con la pechuga hacia arriba en una parrilla especial para rostizar para microondas. Termine de descongelarlo sumergiéndolo en agua fría. Retire las menudencias cuando el pollo esté parcialmente descongelado.
En piezas	Colóquelo en una parrilla para rostizar en microondas. Termine de descongelarlo sumergiéndolo en agua fría.
Codornices	
Enteras	Colóquelas en una parrilla para rostizar en microondas. Termine de descongelarlas sumergiéndolas en agua fría.
Pavo	
Pechuga (menos de 6 lbs [2.7 gr.])	Colóquelo en una parrilla para rostizar en microondas. Termine de descongelarlo sumergiéndolo en agua fría.

Consejos de descongelado

- Cuando utilice AUTO DEFROST, (DESCONGELADO AUTOMÁTICO), necesita introducir el peso neto (el peso neto del alimento menos el del recipiente). Introduzca el peso lo más cercano a $\frac{1}{10}$ lb (46 g).
- Sólo utilice el AUTO DEFROST para alimentos crudos. AUTO DEFROST le brinda los mejores resultados cuando el alimento a descongelar está completamente congelado. Si el alimento está parcialmente descongelado, siempre programe un peso menor (para un período de descongelamiento menor), para evitar que el alimento se cueza.
- Para obtener mejores resultados, se incluye un tiempo de reposo preestablecido en el período de descongelamiento. Esto pudiera hacer que el tiempo de descongelamiento parezca más largo de lo esperado. (Para mayor información acerca del período de reposo, consulte la sección "Consejos para cocinar en microondas, en la "Guía de cocina").

Tabla de conversión de peso

Probablemente esté usted acostumbrado a que el peso de los alimentos se describa en libras y onzas (por ejemplo 4 onzas equivalen a $\frac{1}{4}$ de libra). Sin embargo, para poder programar el peso del alimento en el AUTO DEFROST, debe especificarlo en libras y décimas de libra.

Si el peso en el empaque del alimento se expresa en libras, usted puede utilizar la siguiente tabla para convertir el peso a décimas.

PESO EN DÉCIMAS	PESO EQUIVALENTE EN ONZAS	PESO EQUIVALENTE EN GRAMOS
.10	1.6	45
.20	3.2	91
.25 Un cuarto de libra	4.0	113
.30	4.8	136
.40	6.4	181
.50 Media libra	8.0	227
.60	9.6	272
.70	11.2	318
.75 Tres cuartos de libra	12.0	340
.80	12.8	363
.90	14.4	408
1.00 Una libra	16.0	454

Cómo preparar POPCORN (PALOMITAS DE MAÍZ)

Usted puede preparar palomitas de maíz empacadas comercialmente para horno de microondas con sólo oprimir un botón. La cantidad de veces que oprima el botón determina el tamaño de la bolsa de palomitas que su horno cocinará.

Para obtener mejores resultados:

- Cocine sólo una bolsa a la vez.
- Si está usando un recipiente especial para preparar palomitas de maíz en microondas siga las instrucciones del fabricante.

Para usar el botón POPCORN siga los siguientes pasos:

1. Coloque la bolsa en el centro del plato giratorio.
2. Oprima el botón POPCORN de 1 a 3 veces para seleccionar el tamaño de la bolsa.



Ejemplo para 3.5 onzas

una vez

Usted verá



Ejemplo para 3.5 onzas



(cuenta regresiva puede variar)

Este diagrama muestra cómo seleccionar un tamaño de bolsa.

TAMAÑO DE LA BOLSA (onzas)	OPRIMA EL BOTÓN POPCORN
3.5 (100 gr.)	una
3.0 (85 gr.)	dos
1.75 (50 gr.)	3 veces

OBSERVACIONES:

- Si oprime el botón 4 veces la pantalla regresará al programa de 3.5 onzas. (100 gr.).
- No necesita oprimir el botón START/ENTER (INICIAR/INTRODUCIR) para iniciar la operación del horno. El horno iniciará operación en 5 segundos.
- Si necesita mayor o menor tiempo de cocción no oprima el botón de POPCORN (PALOMITAS DE MAÍZ) de nuevo. Oprima el botón POWER (ENERGÍA) antes que el horno empiece a cocinar. (Consulte "Cómo cambiar los tiempos predefinidos para cocinar" en la sección "Conozca su".)

Existen diferencias entre las distintas marcas de palomitas de maíz

Qué tan bien se cocinen sus palomitas dependerá de la marca y de la cantidad de grasa que tengan. Pruebe con varias marcas para decidir cuál se cocina mejor. Para obtener mejores resultados use bolsas de palomitas de maíz frescas.

Cómo utilizar BEVERAGE (BEBIDAS)

Puede calentar una o dos tazas de 8-onzas (227 gr.) de alguna bebida con sólo oprimir un botón. La cantidad de veces que oprima el botón determinan el número de tazas que su horno calentará.

NOTAS:

- Si oprime el botón BEVERAGE 3 veces, la pantalla regresa a la programación para una taza.
- No necesita oprimir el botón START/ENTER (INICIAR/INTRODUCIR) para que el horno inicie operación. El horno empezará a calentar por sí mismo en 5 segundos.
- Si usted quiere mayor, o menor tiempo de calentar, no oprima el botón BEVERAGE de nuevo. Oprima el botón POWER (ENERGÍA) antes de que el horno empiece a cocinar. (Revise "Cómo cambiar los tiempos predefinidos para cocinar" en la sección "Conozca su ...".)

1. Coloque su(s) taza(s) de bebida(s) en el homo y cierre la puerta.

2. Oprima el botón BEVERAGE.

Si quiere calentar una taza, espere 5 segundos y el horno empezará a calentar automáticamente para una taza.

OPRIMA



USTED VERÁ

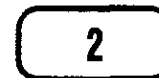


3. Cambie a dos tazas si lo desea.

OPRIMA



0



USTED VERÁ



Después de 5 segundos el horno empezará a calentar.

USTED VERÁ



(el tiempo de la cuenta regresiva puede diferir del anterior)
(por ejemplo para 2 tazas)

Al finalizar el tiempo de calentado:

USTED VERÁ



(sonarán cuatro tonos)

Cómo utilizar HOLD WARM (CONSERVAR CALIENTE)

Usted puede de manera segura conservar calientes los alimentos cocinados en su horno de microondas hasta por 99 minutos, 99 segundos (alrededor de 1 hora, 40 minutos). Puede utilizar HOLD WARM por sí solo, o bien seguido automáticamente por un ciclo de cocción.

OBSERVACIONES:

- HOLD WARM opera hasta por 99 minutos, 99 segundos.
- Abrir la puerta del horno cancela HOLD WARM. Cierre la puerta y oprima HOLD WARM; en seguida, oprima START/ENTER (INICIAR/ INTRODUCIR) si requiere más tiempo para la función HOLD WARM.
- Los alimentos que se cocinen tapados deberán mantenerse cubiertos al utilizar HOLD WARM.
- En pastelería, los pasteles, volteados, etc., deben destaparse cuando se use HOLD WARM.
- Para mantener calientes los alimentos, deben cubrirse cuando se use HOLD WARM.
- No utilice más de un ciclo de HOLD WARM (alrededor de 1 hora, 40 minutos). La calidad de algunos alimentos se deteriora si se excede de este tiempo.

1. Ponga el alimento caliente cocinado en el horno y cierre la puerta.

2. Oprima HOLD WARM.

OPRIMA



USTED VERÁ



3. Encienda el horno.

OPRIMA



USTED VERÁ



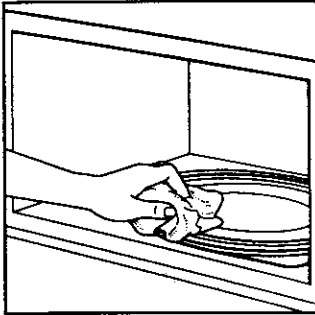
Para hacer que HOLD WARM siga automáticamente otro ciclo:

- Mientras esté programando las instrucciones para cocinar, oprima HOLD WARM antes de oprimir START/ENTER, o durante el ciclo.
- Cuando termine el último ciclo de cocción escuchará dos tonos. Aparecerá la palabra "WARM" ("CALIENTE") mientras el horno continúa trabajando.

Cómo cuidar su horno de microondas

Para asegurarse que su horno de microondas se vea y funcione bien durante mucho tiempo, debe darle el mantenimiento apropiado. Para un cuidado adecuado, por favor siga cuidadosamente estas instrucciones.

Para las superficies interiores: Lave frecuentemente

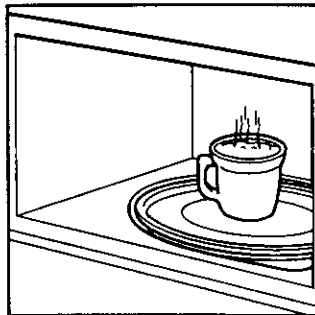


con agua tibia jabonosa y una esponja o lienzo suave. Utilice solamente jabones suaves, no abrasivos o un detergente suave.

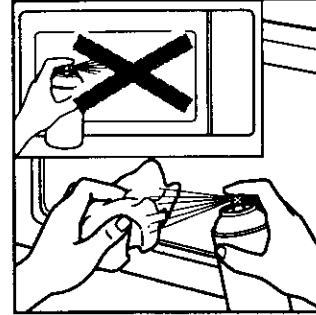
Asegúrese de mantener limpias las áreas donde la puerta y el marco del horno convergen cuando

está cerrado. Limpie bien con agua limpia. Con el tiempo pueden aparecer manchas en las superficies debido a partículas de comida salpicadas al cocinar. Esto es normal.

Para manchas difíciles, hierva una taza de agua en el horno durante 2 ó 3 minutos. El vapor suavizará las manchas. Para eliminar olores dentro del horno, hierva una taza de agua con jugo de limón o vinagre.



Para las superficies exteriores y el panel de control: Utilice un

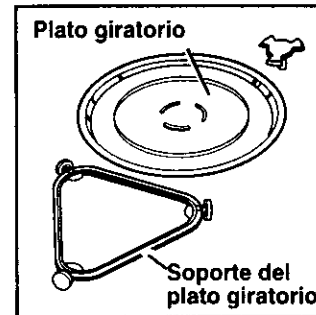


lienzo suave con limpiador de cristales en aerosol. Aplique el limpiador de cristales en aerosol en el lienzo suave; no lo aplique directamente en el horno.

NOTA: Los limpiadores abrasivos,

fibras de acero o lana, trapos viejos, algunas toallas de papel, etc., pueden dañar el panel de control y las superficies interiores y exteriores del horno.

Para limpiar el plato giratorio y el soporte del



plato giratorio, lávese con agua suave jabonosa; para áreas muy manchadas, utilice un limpiador suave y una esponja para tallar. El plato giratorio y el soporte del plato giratorio son resistentes a lavavajillas.

Cómo instalar y cuidar los filtros

No permita que la grasa y la mugre se acumulen en los filtros para grasa. Esto reducirá la eficiencia del ventilador del extractor y puede provocar un incendio. Quite y limpie los filtros para grasa al menos una vez al mes.

NOTA: Si instala su combinación de microondas con campana para recircular el aire, el accesorio filtro de carbón (Número de parte 4393690), disponible en su centro de servicio Sears más cercano, deberá estar instalado. **El filtro de carbón no puede limpiarse y deberá reemplazarse cada 6 a 12 meses.**

⚠️ ADVERTENCIA



Peligro de Choque Eléctrico

Desconecte el suministro de energía antes de quitar los filtros.

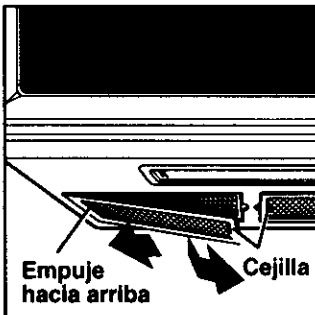
Vuelva a colocar todos los paneles antes de hacer funcionar.

No seguir estas instrucciones puede ocasionar la muerte o choque eléctrico.

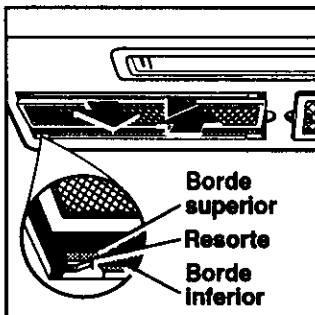
Cómo quitar, limpiar y reinstalar

1. Desenchufe el horno de microondas o desconecte el suministro de energía.

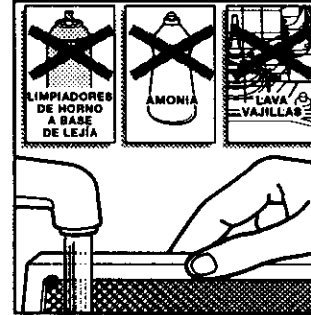
2. Para quitar los filtros de grasa empuje cada filtro hacia arriba del lado contrario a la cejilla. Sujete la cejilla y deslice el filtro hacia un lado. Jale el filtro hacia abajo. El filtro caerá.



3. Para quitar los filtros de carbón, empuje la parte de atrás de cada filtro. Esto liberará la parte frontal del filtro, del borde inferior. Haga girar la parte frontal del filtro hacia abajo y deslícelo hacia afuera.



4. Remoje los filtros para grasa en agua caliente y detergente suave.



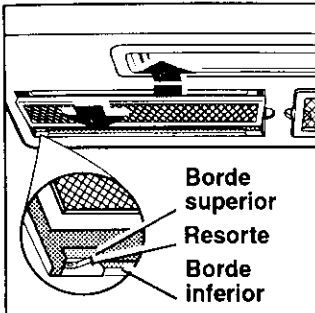
Frote y agite para quitar la grasa y mugre pegada. Enjuague bien y sacuda para secar.

No use amoníac, agentes de limpieza corrosivos como limpiadores de horno base de lejía ni use lavavajillas. El filtro se pondrá negro o podría dañarse.

continúa en la siguiente página

Cómo instalar y cuidar los filtros (cont.)

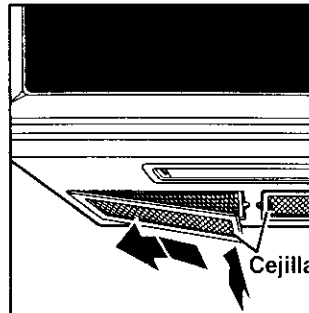
5. Para cambiar los filtros de carbón, empuje



cada filtro hacia la parte de atrás de la abertura, entre los bordes de arriba y de abajo, contra los resortes. Haga girar la parte frontal del filtro hacia arriba contra el borde superior. Deslice el filtro hacia adelante mientras lo empuja

contra el borde superior. El filtro quedará sostenido por el resorte entre los bordes.

6. Para volver a colocar los filtros para grasa



deslice cada filtro en la exterior de la abertura para el filtro. Asegúrese de deslizar el lado del filtro que no tenga la cejilla. Sostenga la cejilla con la otra mano.

Empuje hacia arriba el lado de la cejilla del filtro y deslice el filtro al otro lado de la abertura para asegurarlo en su lugar.

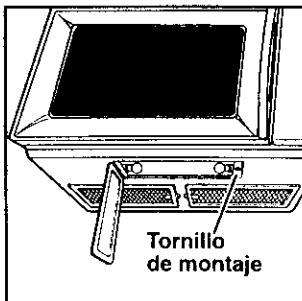
7. Enchufe el horno de microondas o reconecte el suministro de energía.

NOTA: No ponga en operación el ventilador sin los filtros en su lugar.

Cómo cambiar las luces del horno y de la superficie para preparación de alimentos

La luz de la superficie para preparación de alimentos

1. Desenchufe el horno de microondas o desconecte el suministro de energía.
2. Quite el tornillo de montaje de la cubierta del foco y retírela con cuidado.

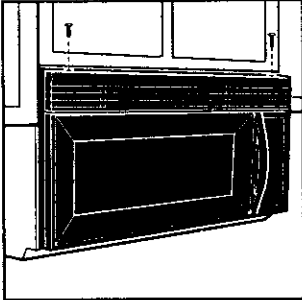


3. Cambie el foco(s) por uno de 30 watts con portalámparas de media pulgada con diez roscas por pulgada (Número de parte 4393681), el cual puede conseguir en su centro de servicio Sears más cercano.
4. Enchufe el horno de microondas o reconecte el suministro de energía.

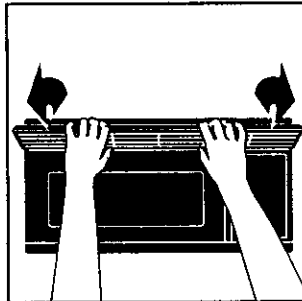
Cómo cambiar las luces del horno y de la superficie para preparación de alimentos (cont.)

La luz del horno

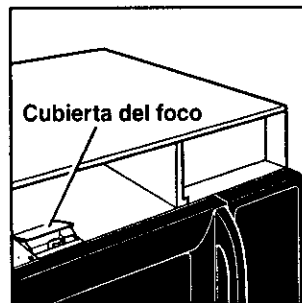
1. Desenchufe el horno de microondas o desconecte el suministro de energía.
2. Quite los tornillos de montaje de las dos rejillas de ventilación que se encuentran arriba de la cubierta (los dos tornillos exteriores).



3. Recorra la rejilla hacia adelante y levántela para quitarla.



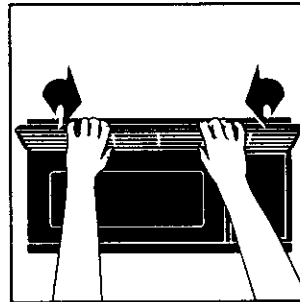
4. Levante la cubierta del foco.



5. Cambie el foco por uno de 30 watts con portalámparas de media pulgada con diez roscas por pulgada (Número de parte 4393681), el cual puede conseguir en su centro de servicio Sears más cercano.

6. Cierre la cubierta del foco.

7. Deslice la parte superior de la rejilla de ventilación a su lugar. Oprima la parte inferior hasta que quede perfectamente colocada. Vuelva a colocar los tornillos de montaje.



8. Enchufe el horno de microondas o reconecte el suministro de energía.

Guía de Cocina

Consejos para cocinar con microondas

Cantidad de alimentos

- Si usted incrementa o disminuye la cantidad de alimentos que prepara, el tiempo que toma cocinarlos también cambiará. Por ejemplo, si duplica las cantidades de una receta, agregue un poco más de la mitad del tiempo original para cocimiento. Verifique el término de cocimiento y si es necesario incremente el tiempo en períodos pequeños.

Temperatura inicial de los alimentos

- Mientras más baja sea la temperatura de los alimentos al momento de introducirlos al horno de microondas, mayor será el tiempo de cocción. Los alimentos a temperatura ambiente se recalentarán con mayor rapidez que los refrigerados.

Composición de los alimentos

- Los alimentos con mucha grasa y azúcar se calentarán con mayor rapidez que aquellos que contengan mucha agua. La grasa y el azúcar también alcanzarán una temperatura más alta que el agua en el proceso de cocción.
- Mientras más densos sean los alimentos, mayor será su tiempo de calentamiento. "Los alimentos muy densos" como la carne, toman más tiempo para volver a calentarse que otros más ligeros, más porosos como los pasteles esponjados.

Tamaño y forma

- Los pedazos más pequeños de alimentos se cocerán más rápidamente que los grandes. De igual manera, los pedazos con forma similar entre sí se cocinarán más uniformemente que los que tienen formas distintas.
- En alimentos que tienen distintos grosores, las partes más delgadas se cocinarán con mayor rapidez que las más gruesas. Coloque las partes más delgadas de las alas y piernas de pollo en el centro del plato.

Mover y voltear los alimentos

- Al mover y voltear los alimentos, el calor se distribuye rápidamente hacia el centro del plato, con lo que se evita el sobrecocimiento en las orillas.

Cómo cubrir los alimentos

Cubra los alimentos para:

- Evitar que salpiquen
- Reducir los tiempos de cocción
- Evitar que los alimentos se resequen

Cualquier cubierta que utilice para tapparlos, debe permitir el paso de las microondas.

Cómo liberar la presión en los alimentos

- Algunos alimentos (por ejemplo: papas al horno, salsas, yemas de huevo, y algunas frutas) están cubiertos firmemente por una piel o membrana. Se podría formar vapor bajo la membrana durante la cocción, lo que provocaría que los alimentos explotaran. Con el fin de disminuir dicha presión y evitar que exploten, haga pequeñas incisiones en los alimentos con un tenedor o un palillo antes de cocinarlos.

Cómo utilizar el tiempo de reposo

- Siempre deje reposar los alimentos después de cocinarlos. El dejar reposar los alimentos después de haberse descongelado o cocinado permite que la temperatura se distribuya uniformemente para mejorar el resultado en la cocción.
- El tiempo de reposo que destine dependerá de la cantidad de los alimentos que vaya a cocinar así como de su densidad. Algunas veces este tiempo puede ser tan breve como el que toma sacar los alimentos del horno y llevarlos a la mesa. Sin embargo, en alimentos de mayor densidad y en cantidades también mayores, el tiempo de reposo puede llegar a ser hasta de 10 minutos.

Acomodo de los alimentos

Para obtener mejores resultados, coloque los alimentos uniformemente en el plato. Puede hacerlo de distintas maneras:

- **Si está cocinando varios alimentos iguales**, tales como papas al horno, **colóquelas** en forma circular para obtener un cocimiento uniforme.
- **Cuando cocine alimentos con formas o grosores irregulares tales como pechugas de pollo**, **coloque** las partes más pequeñas o delgadas de los alimentos hacia el centro del plato, lugar al que el calor llegará al final.
- **Acomode las rebanadas delgadas de carne** en capas una sobre la otra.
- **Cuando cocine o recaliente un pescado entero**, **haga cortes** en la piel – para evitar que se agriete. Cubra la cola y la cabeza del pescado con pedazos pequeños de papel aluminio para evitar la sobrecocción. Cuando utilice papel aluminio, asegúrese de que éste no toque las paredes del horno.
- **No permita** que los alimentos o recipientes toquen las paredes del horno. Esto es con el fin de evitar posibles descargas eléctricas.

Cómo utilizar el papel aluminio

No deberán utilizarse recipientes de metal en un horno de microondas. Aunque existen algunas excepciones. Si se trata de alimentos preempacados en algún recipiente de papel aluminio siga las instrucciones impresas en el empaque. Cuando se utilizan recipientes de papel aluminio, los tiempos de cocción podrían ser más largos debido a que las microondas solamente penetrarán en la parte superior de los alimentos.

Si utiliza recipientes de aluminio sin instrucciones en el empaque, tome en cuenta lo siguiente:

- **Coloque** el recipiente dentro de otro de vidrio y añada un poco de agua de tal manera que cubra el fondo del mismo a no más de $\frac{1}{4}$ de pulgada (6 mm) de alto. Esto asegurará un calentamiento uniforme hasta el fondo del recipiente.
- **Quite siempre** la tapa para evitar dañar el horno.
- **Utilice solamente** recipientes en buen estado.
- **No utilice** recipientes con una profundidad mayor que $\frac{3}{4}$ pulgada (19 mm).
- **El recipiente debe** estar lleno por lo menos la mitad.
- **Para evitar descargas eléctricas** debe existir un mínimo de $\frac{1}{2}$ pulgada (6mm) entre el recipiente de aluminio y las paredes del horno, lo mismo entre dos recipientes de aluminio.
- **Coloque siempre** el recipiente sobre el plato giratorio.
- **Generalmente toma** el doble de tiempo recalentar alimentos en recipientes de papel aluminio comparado con el que toma el hacerlo en recipientes de plástico, vidrio, porcelana o papel. El tiempo en que un alimento está listo variará dependiendo del tipo de recipiente que utilice.
- **Deje reposar los alimentos** de 2 a 3 minutos después de calentarlos para que el calor se distribuya de manera uniforme por todo el recipiente.

Lo que no deberá cocinar en su horno de microondas

- **No elabore** conservas en el horno. Los frascos de vidrio cerrados pueden explotar y causar daños al horno o lastimar a alguien.
- **No utilice** el horno de microondas para esterilizar objetos (biberones, etc). Es difícil mantener el horno a la temperatura necesaria para una esterilización segura.

Preguntas y respuestas

PREGUNTAS	RESPUESTAS
¿Puedo poner en operación mi horno de microondas sin el plato giratorio o voltear éste para colocar un plato más grande?	No. Si quita o voltea el plato giratorio obtendrá resultados poco satisfactorios. Los platos utilizados en su horno deben ajustarse a la medida del plato giratorio.
¿Puedo utilizar una rejilla en mi horno de microondas para poder recalentar o cocinar en dos niveles al mismo tiempo?	Puede utilizar una rejilla sólo si ésta forma parte de su horno de microondas. Si utiliza una rejilla ajena a su horno de microondas podría obtener resultados poco satisfactorios y/o provocar una descarga eléctrica.
¿Puedo utilizar sartenes de metal o aluminio indistintamente en mi horno de microondas?	Puede utilizar papel aluminio para protección (utilice pedazos pequeños y sin arrugas), alambres para brochetas y charolas de papel aluminio poco profundas (si la charola tiene $\frac{3}{4}$ de pulgada [19mm] de profundidad o menos, debe llenarse al menos hasta la mitad con alimentos para absorber la energía de las microondas). Nunca permita que metal alguno toque las paredes o la puerta. (Para mayor información consulte "Cómo utilizar papel aluminio" en la sección "Guía para cocinar").
¿Es normal que el plato giratorio se mueva en cualquier dirección?	Sí. El plato giratorio se mueve en el sentido de las manecillas del reloj o en dirección contraria, esto depende de la rotación del motor al momento de iniciarse el ciclo de cocción.
Algunas veces la puerta de mi horno de microondas se ve ondulada. ¿Es esto normal?	Esta apariencia es normal y no afecta el funcionamiento de su horno.
¿Qué son esos zumbidos que se oyen cuando mi horno de microondas está funcionando?	Lo que usted escucha es el ruido del transformador cuando el tubo magnetrón está en movimiento.
¿Por qué se calienta el plato cuando cocino en él? Pensé que esto no debería suceder.	Al calentarse los alimentos éstos conducirán el calor al plato. Tenga a la mano guantes o almohadillas aislantes para sacar los alimentos después de cocinarlos.
¿Qué significa "tiempo de reposo"?	"Tiempo de reposo" significa que los alimentos deben retirarse del horno y cubrirse durante un tiempo adicional para permitir que la cocción termine. Esto deja libre al horno para seguir cocinando.
¿Por qué sale vapor por la salida del extractor?	Es normal que se produzca vapor al cocinar. El horno de microondas ha sido diseñado para sacar este vapor por la salida del extractor.
¿Puedo hacer palomitas de maíz en mi horno de microondas? ¿Cómo puedo obtener los mejores resultados?	Sí. Haga palomitas de maíz especiales para horno de microondas siguiendo las instrucciones del fabricante o utilizando el botón POPCORN (PALOMITAS). No utilice bolsas de papel normales. Utilice la "prueba de oído" deteniendo la operación del horno tan pronto como el sonido de los granos reventando decaezca a un "pop" cada 1 ó 2 segundos. No vuelva a cocinar los granos que no hayan reventado. No haga palomitas en recipientes de vidrio.

Solución de problemas

Muchos de los problemas al cocinar se deben generalmente a pequeños detalles que puede encontrar y arreglar sin necesidad de herramientas de ningún tipo. Verifique la lista que aparece en esta página y la siguiente antes de solicitar algún tipo de servicio. Si después de esto todavía necesita ayuda consulte la sección "Números de larga distancia sin costo de Sears" en la página 44.

El horno de microondas no funciona

PROBLEMA	CAUSA
Nada funciona.	<ul style="list-style-type: none">• El cable no está conectado a un circuito con el voltaje adecuado. (Consulte las secciones: "Requerimientos eléctricos" en la página 49 y "Conexión eléctrica" en la página 56.)• Se quemó un fusible doméstico o se desconectó un interruptor de circuitos.• La compañía de luz tuvo una falla de energía.
El horno de microondas no funciona.	<ul style="list-style-type: none">• Está utilizando el horno como cronómetro. Oprima el botón OFF/CANCEL (APAGAR/CANCELAR) para desactivar el cronómetro.• La puerta no está bien cerrada ni asegurada.• No oprimió START/ENTER (INICIAR/INTRODUCIR).• No siguió las instrucciones al pie de la letra.• Una operación que inició anteriormente todavía no termina. Oprima OFF/CANCEL para cancelar la operación.

Tiempos de cocción

PROBLEMA	CAUSA
La comida no está bien cocida.	<ul style="list-style-type: none">• El suministro de energía eléctrica de su casa o los contactos en las paredes es bajo, o más débil de lo normal. La compañía de luz puede decirle si el voltaje de línea está bajo. Su electricista o técnico de servicio pueden decirle si el voltaje está bajo.• El nivel de energía de cocción no se programó según las recomendaciones. Verifique la tabla en la página 64.• No programó el tiempo suficiente para la cantidad de alimentos a cocinarse. A cantidades mayores de alimentos, mayores tiempos de cocción .
La pantalla muestra un conteo de tiempo decreciente pero el horno no cocina.	<ul style="list-style-type: none">• La puerta del horno no está completamente cerrada.• Programó los controles para la función de cronómetro. Oprima OFF/CANCEL para cancelar el cronómetro.

Plato giratorio

PROBLEMA	CAUSA
El plato giratorio no gira.	<ul style="list-style-type: none"> • El plato giratorio no está colocado correctamente. Debe estar con el lado correcto hacia arriba y descansar firmemente sobre el eje del centro. • El soporte no funciona correctamente. Retire el plato giratorio y vuelva a iniciar la operación del horno. Si el soporte aún no se mueve, llame al técnico autorizado para su reparación. Cocinar sin el plato giratorio puede producir resultados poco satisfactorios.

Tonos

PROBLEMA	CAUSA
No se escucha el tono de programación o de fin de ciclo.	<ul style="list-style-type: none"> • No introdujo la instrucción correcta. • Desactivó el tono. Ver la sección "Señales sonoras" en la página 59.

Visualizar mensajes

PROBLEMA	CAUSA
La pantalla parpadea "E".	<ul style="list-style-type: none"> • Hubo una interrupción de energía eléctrica. Vuelva a programar el reloj. (Vea la sección "Cómo programar el reloj" en la página 62.)

Si nada de lo anterior es la causa del problema vea la sección "Números de larga distancia sin costo de SEARS" en la página 92.

Por favor, registre la información de su modelo.

Siempre que llame para solicitar servicio para su aparato, necesita tener a la mano los números completos de modelo y serie. Puede encontrar esta información en la placa/etiqueta del modelo y número de serie (vea "Funciones del horno de microondas" en la sección "Conozca su..."). También registre la información adicional que aparece en la siguiente columna.

Número de modelo _____
 Número de serie _____
 Fecha de compra _____
 Nombre del distribuidor _____
 Dirección del distribuidor _____
 Teléfono del distribuidor _____

Índice

Este índice es alfabético. Contiene todos los temas incluidos en el manual junto con la (s) página(s) donde usted puede encontrar cada tema.

<u>TEMA</u>	<u>PÁGINA</u>	<u>TEMA</u>	<u>PÁGINA</u>
CÓMO CAMBIAR LOS FOCOS DEL HORNO Y SUPERFICIE PARA PREPARACIÓN DE ALIMENTOS	80	PAPEL ALUMINIO	83
CÓMO CUIDAR SU HORNO DE MICROONDAS	78	PARRILLA	84
CÓMO FUNCIONA SU HORNO DE MICROONDAS	51	PARTES Y CARACTERÍSTICAS	
CÓMO PROBAR SU HORNO DE MICROONDAS	52	Asa de la puerta	55
Consejos de cocina	82-83	Etiqueta de guía de cocción	55
Descongelado	74	Magnetrón	51, 84
CÓMO PROBAR SU VAJILLA O RECIPIENTES	53	Placa de Modelo y número de serie	86
FILTROS	79	Plato giratorio	51, 54, 55, 78, 84, 86
FOCOS		Rejilla de ventilación	55
Cambio de focos	80	Sistema de cerrado de seguridad de la puerta	55
Cómo utilizarlos	59	Ventana	55
GARANTÍA	44	PREGUNTAS Y RESPUESTAS	84
INSTRUCCIONES PARA INSTALACIÓN	48	REQUERIMIENTOS DE ENERGÍA	47, 54
INTERFERENCIA DE ONDAS DE RADIO	9	SEGURIDAD	45-47, 53-54
NÚMEROS SIN COSTO	88	SEÑALES SONORAS	57
PANEL DE CONTROL	56-58	SERVICIO	44
ADD ONE MINUTE (UN MINUTO MÁS)	62	SOLUCIÓN DE PROBLEMAS	85-86
AUTO COOK (COCINADO AUTOMÁTICO)	68	TABLAS	
AUTO DEFROST (DESCONGELADO AUTOMÁTICO)	71	Conversiones de peso	74
AUTO REHEAT (RECALENTADO AUTOMÁTICO)	70	Descongelado automático	71-74
BEVERAGE (BEBIDAS)	76	Niveles de energía de cocción	64
Cambiar tiempos preestablecidos de cocción	62	Palomitas de Maíz	75
CLOCK (RELOJ)	60	Recalentado automático	70
Cocinando en pasos	66-67	Tablas de cocción automática	69
Cómo cocinar a un nivel alto de energía	63	TIEMPO DE REPOSO	74, 83, 84
Cómo cocinar a diferentes energías de cocción	64, 65, 66	VENTILADOR	59
Cómo interrumpir la cocción	58		
COOK TIME (TIEMPO DE COCCIÓN)	63-66		
Cronómetro	61		
Función Demostración/aprendizaje	57-58		
HOLD WARM (CONSERVAR CALIENTE)	77		
Luz	59		
Números en el panel	56		
OFF/CANCEL (APAGAR/CANCELAR)	58		
Pantalla	56		
POPCORN (PALOMITAS DE MAÍZ)	75		
POWER (ENERGÍA)	62, 64, 65		
Seguro para niños	58		
START/ENTER (INICIAR/INTRODUCIR)	58		
Ventilador	59		

For the repair or replacement parts you need

Call 7 am–7 pm, 7 days a week

1-800-366-PART

(1-800-366-7278)

.....

For in-home major brand repair service

Call 24 hours a day, 7 days a week

1-800-4-MY-HOMESM

(1-800-469-4663)

.....

**For the location of a
Sears Parts and Service Center
in your area**

Call 24 hours a day, 7 days a week

1-800-488-1222

.....

**For more information on purchasing a
Sears Maintenance Agreement
or to inquire about an existing Agreement**

Call 9 am–5 pm, Monday–Saturday

1-800-827-6655



The Service Side of Sears.