



Profile Dryers

Safety Instructions 2-5

Operating Instructions

Controls6
Cycle Options8
Dryer Features15
Help13, 14
Loading and Using
the Dryer16, 17
“My Cycles”11, 12
Quick Start Guide7
Summary Screen9, 10
Troubleshooter13

Installation Instructions

Before You Begin18-20
Connecting a Gas Dryer21-24
Connecting an
Electric Dryer25-27
Exhausting the Dryer28-32
Final Setup33, 34
Reversing the Door Swing ...35, 36
Switching the Washer and
Dryer Backsplashes37-40

Troubleshooting Tips 41

Consumer Support

Consumer Support Back Cover
Warranty 43

**Owner's Manual
and Installation
Instructions**

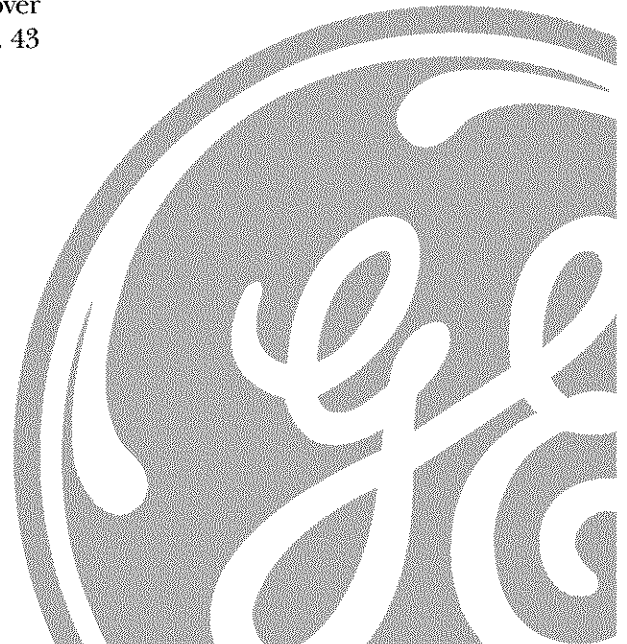
DPGT750

**Write the model and serial
numbers here:**

Model # _____

Serial # _____

They are on the label on the
front of the dryer behind
the door.



IMPORTANT SAFETY INSTRUCTIONS

READ ALL INSTRUCTIONS BEFORE USING.

⚠ WARNING! *For your safety, the information in this manual must be followed to minimize the risk of fire or explosion, electric shock, or to prevent property damage, personal injury, or loss of life.*

- Do not store or use gasoline or other flammable vapors and liquids in the vicinity of this or any other appliance.
- Installation and service must be performed by a qualified installer, service agency or the gas supplier.

WHAT TO DO IF YOU SMELL GAS:

- 1** Do not try to light a match, or cigarette, or turn on any gas or electrical appliance.
- 2** Do not touch any electrical switch; do not use any phone in your building.
- 3** Clear the room, building, or area of all occupants.
- 4** Immediately call your gas supplier from a neighbor's phone. Follow the gas supplier's instructions carefully.
- 5** If you cannot reach your gas supplier, call the fire department.

California Safe Drinking Water and Toxic Enforcement Act

This act requires the governor of California to publish a list of substances known to the state to cause cancer, birth defects or other reproductive harm and requires businesses to warn customers of potential exposure to such substances.

Gas appliances can cause minor exposure to four of these substances, namely benzene, carbon monoxide, formaldehyde and soot, caused primarily by the incomplete combustion of natural gas or LP fuels.

Properly adjusted dryers will minimize incomplete combustion. Exposure to these substances can be minimized further by properly venting the dryer to the outdoors.

IMPORTANT SAFETY INSTRUCTIONS

READ ALL INSTRUCTIONS BEFORE USING.

▲ WARNING! *For your safety, the information in this manual must be followed to minimize the risk of fire or explosion, electric shock, or to prevent property damage, personal injury, or loss of life.*

PROPER INSTALLATION

This dryer must be properly installed and located in accordance with the Installation Instructions before it is used. Installation Instructions are included in the back of this manual.

- Properly ground dryer to conform with all governing codes and ordinances. Follow details in Installation Instructions.
- Install or store where it will not be exposed to temperatures below freezing or exposed to the weather.
- Connect to a properly rated, protected and sized power supply circuit to avoid electrical overload.
- Remove all sharp packing items and dispose of all shipping materials properly.

Exhaust/Ducting:

- 1 Gas dryers **MUST** be exhausted to the outside.
- 2 Exhausting electric dryers to the outside is **strongly recommended** to prevent large amounts of moisture and lint from being blown into the room.
- 3 Use only rigid metal 4" diameter ductwork inside the dryer cabinet. **USE OF PLASTIC OR OTHER COMBUSTIBLE DUCTWORK CAN CAUSE A FIRE. PUNCTURED DUCTWORK CAN CAUSE A FIRE IF IT COLLAPSES OR BECOMES OTHERWISE RESTRICTED IN USE OR DURING INSTALLATION.**

For complete details, follow the Installation Instructions.

YOUR LAUNDRY AREA

- Keep the area underneath and around your appliances free of combustible materials (lint, paper, rags, etc.), gasoline, chemicals and other flammable vapors and liquids.
- Keep the floor around your appliances clean and dry to reduce the possibility of slipping.
- Close supervision is necessary if this appliance is used by or near children. Do not allow children to play on, with or inside this or any other appliance.
- Keep the area around the exhaust opening and adjacent surrounding areas free from the accumulation of lint, dust, and dirt.
- Keep all laundry aids (such as detergents and bleaches) out of the reach of children, preferably in a locked cabinet. Observe all warnings on container labels to avoid injury.
- Never climb on or stand on the dryer top.

IMPORTANT SAFETY INSTRUCTIONS

READ ALL INSTRUCTIONS BEFORE USING.

▲ WARNING! *For your safety, the information in this manual must be followed to minimize the risk of fire or explosion, electric shock, or to prevent property damage, personal injury, or loss of life.*

WHEN USING YOUR DRYER

- Never reach into the dryer while the drum is moving. Before loading, unloading, or adding clothes, wait until the drum has completely stopped.
- Clean the lint filter before each load to prevent lint accumulation inside the dryer or in the room. **DO NOT OPERATE THE DRYER WITHOUT THE LINT FILTER IN PLACE.**
- Do not wash or dry articles that have been cleaned in, washed in, soaked in or spotted with combustible or explosive substances (such as wax, oil, paint, gasoline, degreasers, dry-cleaning solvents, kerosene) which may ignite or explode. Do not add these substances to the wash water. Do not use or place these substances around your washer or dryer during operation.
- Do not place items exposed to cooking oils in your dryer. Items contaminated with cooking oils may contribute to a chemical reaction that could cause a clothes load to catch fire.
- Any article on which you have used a cleaning solvent or that contains flammable materials (such as cleaning cloths, mops, towels used in beauty salons, restaurants or barber shops) must not be placed in or near the dryer until solvents or flammable materials have been removed. There are many highly flammable items used in homes such as acetone, denatured alcohol, gasoline, kerosene, some household cleaners, some spot removers, turpentine, waxes, wax removers and products containing petroleum distillates.
- The laundry process can reduce the flame retardancy of fabrics. To avoid such a result, carefully follow the garment manufacturer's care instructions.
- Do not dry articles containing rubber, plastic, foam or similar materials such as padded bras, galoshes, bath mats, rugs, bibs, baby pants, plastic bags and pillows, that may melt or burn. Some rubber materials, when heated, can under certain circumstances produce fire by spontaneous combustion.
- Do not store plastic, paper or clothing that may burn or melt on top of the dryer during operation.
- Garments labeled **Dry Away from Heat** or **Do Not Tumble Dry** (such as life jackets containing kapok) must not be put in your dryer.
- Do not dry fiberglass articles in your dryer. Skin irritation could result from the remaining particles that may be picked up by clothing during subsequent dryer uses.
- To minimize the possibility of electric shock, unplug this appliance from the power supply or disconnect the dryer at the building's distribution panel by removing the fuse or switching off the circuit breaker before attempting any maintenance or cleaning (except the removal and cleaning of the lint filter). **NOTE:** Pressing STOP or POWER does NOT disconnect the appliance from the power supply.

IMPORTANT SAFETY INSTRUCTIONS

READ ALL INSTRUCTIONS BEFORE USING.

▲ WARNING! *For your safety, the information in this manual must be followed to minimize the risk of fire or explosion, electric shock, or to prevent property damage, personal injury, or loss of life.*

WHEN USING YOUR DRYER (cont.)

- Never attempt to operate this appliance if it is damaged, malfunctioning, partially disassembled, or has missing or broken parts, including a damaged cord or plug.
- The interior of the machine and the exhaust duct connection inside the dryer should be cleaned at least once a year by a qualified technician. See the Loading and Using the Dryer section.
- If yours is a gas dryer, it is equipped with an automatic electric ignition and does not have a pilot light. **DO NOT ATTEMPT TO LIGHT WITH A MATCH.** Burns may result from having your hand in the vicinity of the burner when the automatic ignition turns on.
- You may wish to soften your laundered fabrics or reduce the static electricity in them by using a dryer-applied fabric softener or an antistatic conditioner. We recommend you use either a fabric softener in the wash cycle, according to the manufacturer's instructions for those products, or try a dryer-added product for which the manufacturer gives written assurance on the package that their product can be safely used in your dryer. Service or performance problems caused by use of these products are the responsibility of the manufacturers of those products and are not covered under the warranty of this appliance.

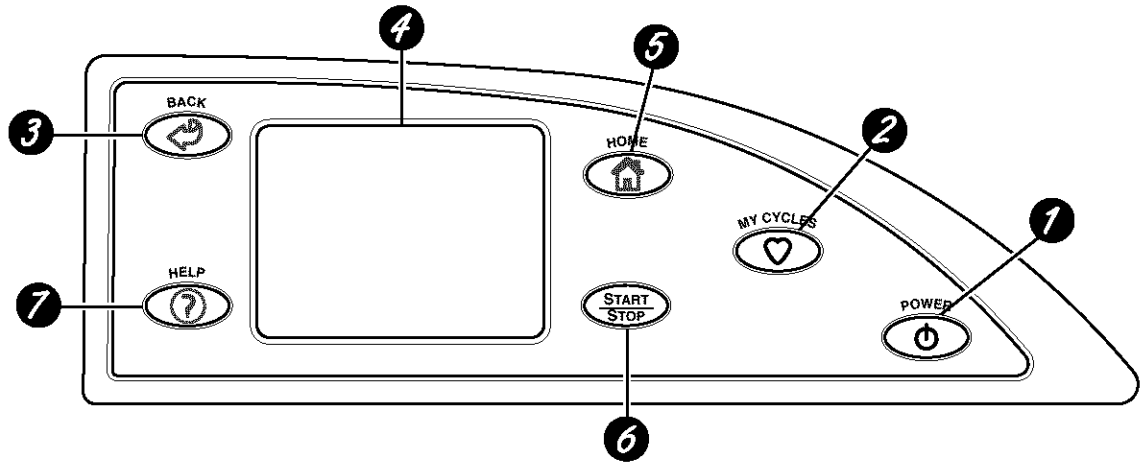
WHEN NOT USING YOUR DRYER

- Grasp the plug firmly when disconnecting this appliance to avoid damage to the cord while pulling. Place the cord away from traffic areas so it will not be stepped on, tripped over or subjected to damage.
- Do not attempt to repair or replace any part of this appliance or attempt any servicing unless specifically recommended in this Owner's Manual or in published user-repair instructions that you understand and have the skills to carry out.
- Before discarding a dryer, or removing it from service, remove the dryer door to prevent children from hiding inside.
- Do not tamper with controls.

***READ AND FOLLOW THIS SAFETY
INFORMATION CAREFULLY.
SAVE THESE INSTRUCTIONS.***

▲ WARNING! To reduce the risk of fire, electric shock, or injury to persons, read the **IMPORTANT SAFETY INSTRUCTIONS** before operating this appliance.

Throughout this manual, features and appearance may vary from your model.



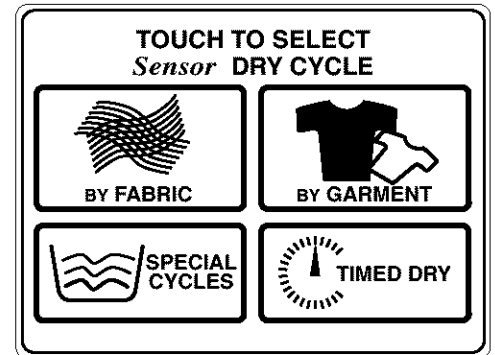
Features of the dryer control panel

- 1 **POWER.** Press to “wake up” the display. If the display is active, press to put the dryer into standby mode. You may also press the Touch Screen or any button to “wake up” the display.
NOTE: Pressing POWER does not disconnect the appliance from the power supply.
- 2 **MY CYCLES.** Press to use, create, rename, modify or delete custom dry cycles.
- 3 **BACK.** Press to return to the previous screen.
- 4 **TOUCH SCREEN.** Press the graphics on the interactive display to use the dryer features.
Do not use sharp objects to press the Touch Screen.
NOTE: If the dryer is inactive for 5 minutes, the Touch Screen will go into standby mode, and the display will be dark. Press the Touch Screen or any button to “wake up” the display.
- 5 **HOME.** Press to return to the “TOUCH TO SELECT Sensor DRY CYCLE” screen (Home Screen).
- 6 **START/STOP.** Press to start a dry cycle. If the dryer is running, pressing once will pause the dryer. Press again to restart the dry cycle.
NOTE: If the dryer is paused and the cycle is not restarted within one hour, the dryer will enter standby mode and the current dry cycle will be canceled.
- 7 **HELP.** Press to set machine preferences, to find help using the Touch Screen or to find troubleshooting tips for common dryer problems.

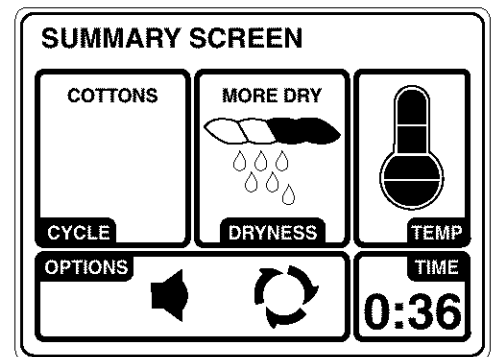
Getting Started

If the Touch Screen is dark, press **POWER** or the Touch Screen to access the dry cycles menu.

- 1 Clean the lint filter.
IMPORTANT: Clean the lint filter each time you use the dryer.
- 2 Add clothes. **Do not overload.** This wastes energy and promotes wrinkling.
- 3 Select one of the four drying methods from the Home Screen:
 - Press **BY FABRIC** to dry according to fabric type.
 - Press **BY GARMENT** to dry according to clothing type.
 - Press **SPECIAL CYCLES** to dry nongarment items, to dry without heat or to dry using the drying rack.
 - Press **TIMED DRY** to specify a drying time and temperature.
- 4 Change any of the automatic settings, if desired, by pressing the Touch Screen and following the on-screen instructions.
By changing the settings you can:
 - Change the level of dryness
 - Change the drying temperature
 - Set a Delay Start or Extended Tumble, or change the End-of-Cycle Signal volume
 - Adjust time settings
- 5 Close the door and press **START**.
The dryer will not operate unless the door is closed.



Home Screen



Washer Communicated Cycles

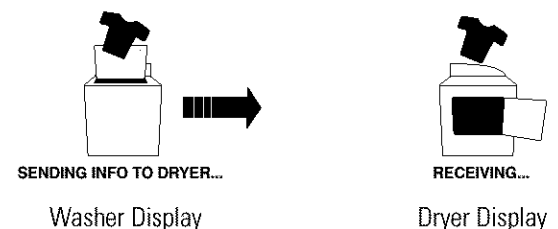
If the Washer/Dryer Communication features of your washer and dryer are turned ON, your dryer will receive cycle information from your washer to create a dry cycle that matches your wash load.

After the wash cycle is complete, communication begins once either the washer or dryer Touch Screen is activated.

Once the information is received, your dryer can then create the optimal dry cycle for your load. You can then change any of the automatic cycles, as desired.

NOTE: For some communicated wash cycles, your dryer will prompt you to select a **FABRIC TYPE**.

See "Final Setup" in the Installation Instructions for attaching the serial cable for Washer/Dryer Communication.



Dryer Cycles

www.GEAppliances.com

If the Touch Screen is dark, press **POWER** or the Touch Screen to access the dry cycles menu.

The default cycle settings are based on standard load types. Always follow the fabric manufacturer's care label when laundering.

Drying by Fabric Type

Select **By FABRIC** to dry loads sorted by fabric type.

FABRIC CYCLES include:

- Blends
- Cottons
- Delicates
- Knits
- Polyester
- Silks (Washable)



Drying by Garment Type

Select **By Garment** to dry loads sorted by garment type.

GARMENT CYCLES include:

- Athletic Wear
- Blouses
- Delicates
- Dress Shirts
- Easy Care
- Everyday Wear/Casual
- Jackets/Coats
- Jeans
- Khakis
- Knits
- Lingerie
- Mixed Garments
- Play Clothes
- Silks (Washable)
- Sweaters
- Swimwear
- Underwear



Drying Using the Special Cycles

Select **SPECIAL CYCLES** to dry loads of nongarment items, use the drying rack or to tumble using low or no heat.

SPECIAL CYCLES include:

- Air Dry
- Blankets (Cotton)
- Blankets (Other)
- Comforter
- Dewrinkle
- Dryel™
- Pet Bedding (Washable)
- Pillows (Washable)
- Rack Dry
- Sheets
- Sneakers
- Throw Rugs (Washable)
- Towels
- Warm Up



Drying Using Timed Dry

Select **TIMED DRY** to set your own drying time.

Timed Dry is also recommended for small loads.

- 1 Press **TIMED DRY**.
- 2 Use the arrows to set more or less time; then press **OK**.
- 3 Use the arrows to set the temperature; then press **OK**.
- 4 Press **START**.



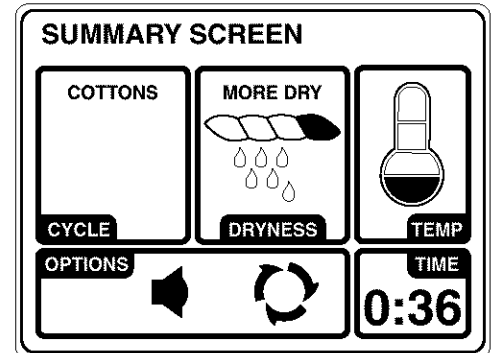
Summary Screen

www.GEAppliances.com

About the Summary Screen

After selecting a dry cycle, the Summary Screen displays the automatic settings for the cycle you have chosen. You can adjust these by touching the screen location for any of the settings shown.

If you change any of the automatic settings, you can save the new settings as a custom “My Cycle” by pressing the **MY CYCLES** button while on the Summary Screen and choosing **SAVE CURRENT SETTINGS**.



Changing the Dryness Level

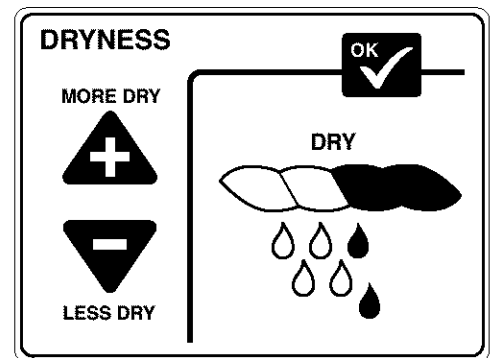
To change the dryness level, touch the **DRYNESS** pad on the Touch Screen; then use the arrows to select the level of dryness. Press **OK** when you have reached the desired setting.

MORE DRY – Use for heavy-duty fabrics.

DRY – Use for a normal dryness level suitable for most loads. This is the preferred cycle for energy saving.

LESS DRY – Use for lighter fabrics.

DAMP – Use to leave items partially damp.



Changing the Drying Temperature

To change the drying temperature, touch the **TEMP** pad on the Touch Screen; then use the arrows to select higher or lower temperature. Press **OK** when you have reached the desired setting.

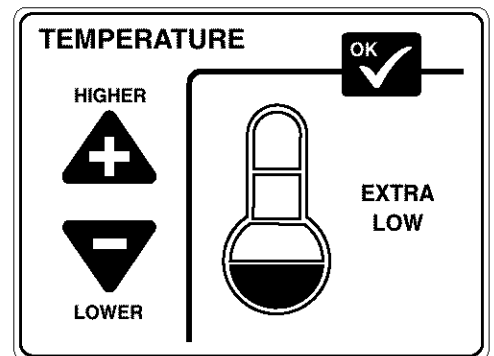
HIGH – For regular to heavy cottons.

MEDIUM – For synthetics, blends and items labeled permanent press.

LOW – For delicates, synthetics and items labeled Tumble Dry Low.

EXTRA LOW – For delicates, lingerie and special-care fabrics.

AIR DRY – For tumbling items without heat.



About the Drying Options

Touch the **OPTIONS** pad on the Touch Screen to select drying options. After selecting any drying options, press **OK** to save your setting.

Delay Start

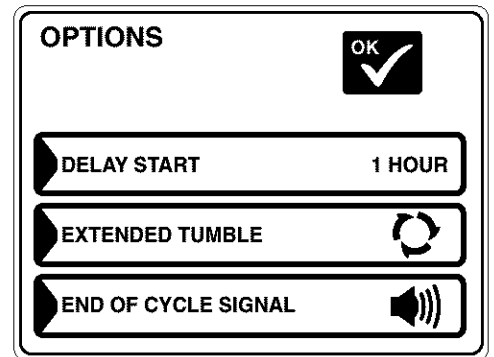
Touch the **DELAY START** pad repeatedly to set a delay time of up to 12 hours. The countdown time will be shown in the display.

Extended Tumble

Minimizes wrinkles by adding approximately 20 minutes of no-heat tumbling after clothes are dry. Touch **EXTENDED TUMBLE** to turn the feature on or off. If set, the Extended Tumble time will not be included in the cycle time shown in the display. The dryer will signal for the first 6 minutes during Extended Tumble.

End-of-Cycle Signal

Alerts you that the cycle is complete. The clothes should be removed when the beeper goes off so wrinkles won't set in. Touch **END OF CYCLE SIGNAL** to select the volume or to turn the beeper off. The new volume will be saved as the default setting.

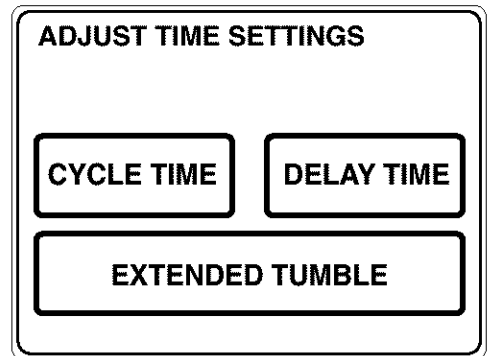


Adjusting the Time Settings

You can adjust the time setting for the dry cycle, delay start and extended tumble times. Touch the **TIME** pad on the Summary Screen; then choose the time you wish to adjust.

To change the dry cycle time, select **CYCLE TIME**; then use the arrows to select more or less drying time. If the Cycle Time is changed, the dryness sensor will be turned off.

To change the delay start or extended tumble time, select **DELAY TIME** or **EXTENDED TUMBLE**; then follow the instructions in the About the Drying Options section.



About the Cycle Status Screen

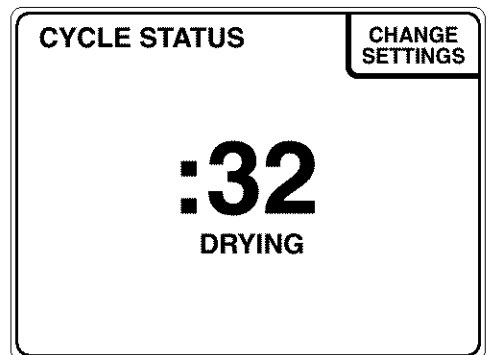
After you press **START**, a Cycle Status screen will appear to indicate what cycle the dryer is in and the time remaining in the cycle.

DRYING – The dryer is sensing the moisture level of the load.

SENSING – The dryer is determining if the correct dryness level has been reached.

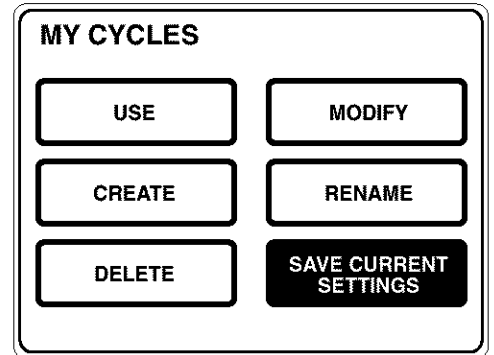
COOL DOWN – The load is dry and may be removed (the dryer will continue to blow cool air for up to 5 minutes).

EXTENDED TUMBLE – The load is dry and may be removed (the drum will continue to turn without heat for up to 20 minutes).



About the “My Cycles” Feature

The “My Cycles” feature allows you to create, store and reuse up to 6 custom cycles. Create your own cycles from scratch or adjust the settings of a predefined dry cycle; then save for one-touch recall.



Creating and Using a “My Cycle”

You can create “My Cycles” two ways, by either modifying a predefined dry cycle or creating a cycle from your own combination of settings and options.

To build your own “My Cycle” from the Home Screen:

- 1 Press the **MY CYCLES** button.
- 2 Select **CREATE** from the Touch Screen menu.
- 3 Choose whether you want to modify a predefined cycle or create a new cycle.
- 4 If you are modifying a predefined cycle, select the dry cycle you wish to modify.
- 5 Change any of the automatic settings and select any options.
- 6 Touch **SAVE** on the Touch Screen.
- 7 Using the keypad on the Touch Screen, type the name of your “My Cycle” and press **OK**.

To begin using your new “My Cycle” right away, select it from the Touch Screen menu and press **START**.

To save a current cycle as a “My Cycle” from the Summary Screen:

- 1 After setting a dry cycle, or after a dry cycle has just completed, press the **MY CYCLES** button.
- 2 Select **SAVE CURRENT SETTINGS** from the Touch Screen menu.
- 3 Using the keypad on the Touch Screen, type the name of your “My Cycle” and press **OK**.

To begin using your new “My Cycle” right away, select it from the Touch Screen menu and press **START**.

To use a “My Cycle” from the Home Screen:

- 1 Press the **MY CYCLES** button.
- 2 Select **USE** from the Touch Screen menu.
- 3 Select the cycle name from the Touch Screen menu.
- 4 Change any of the automatic settings and select any options.
- 5 Press **START**.

Modifying, Renaming or Deleting a “My Cycle”

To modify the settings of a “My Cycle” from the Home Screen:

- 1 Press the **MY CYCLES** button.
- 2 Select **MODIFY** from the Touch Screen menu.
- 3 Select the cycle name from the Touch Screen menu.
- 4 Change any of the automatic settings and select any options.
- 5 Press **SAVE** on the Touch Screen.

To rename a “My Cycle” from the Home Screen:

- 1 Press the **MY CYCLES** button.
- 2 Select **RENAME** from the Touch Screen menu.
- 3 Select the cycle name from the Touch Screen menu.
- 4 Using the keypad on the Touch Screen, type the name of your “My Cycle” and press **OK**.

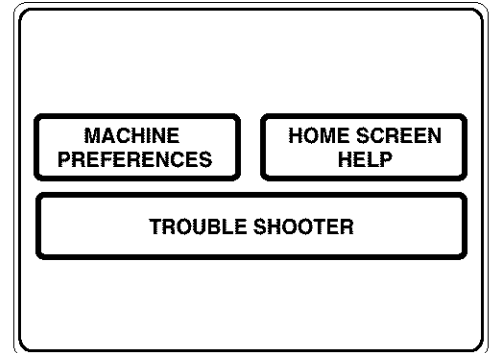
To delete a “My Cycle” from the Home Screen:

- 1 Press the **MY CYCLES** button.
- 2 Select **DELETE** from the Touch Screen menu.
- 3 Select the cycle name from the Touch Screen menu.
- 4 Choose **YES** to delete the cycle or **CANCEL** to return to the list of “My Cycles.”

About the Help Feature

Pressing the **HELP** button from the Home Screen allows you to locate troubleshooting tips for common dryer problems, to find help with using the Home Screen or to set machine preferences.

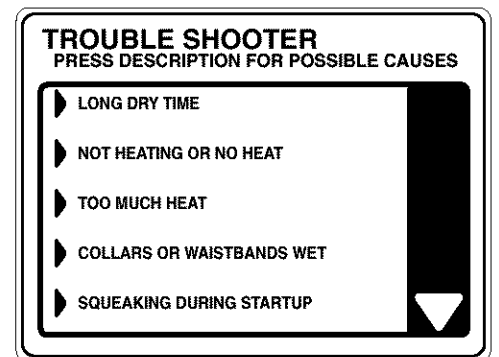
Pressing the **HELP** button while on any other screen allows you to find additional information on features found on that screen. Press **HELP**; then touch any pad on the Touch Screen for an explanation of that feature. To exit the feature, press **HELP** once to return to the previous screen or twice to exit Help.



Using the Troubleshooter

To locate Troubleshooting Tips for common dryer problems:

- 1 Press the **HELP** button.
- 2 On the Touch Screen, select **TROUBLE SHOOTER**.
- 3 On the Touch Screen, select the problem description from the list. You can use the arrows at the right of the screen to scroll up and down through the list of additional problems.
- 4 On the Touch Screen, select a possible cause for the problem and follow the on-screen instructions to find a solution.



Finding Help Using the Home Screen

Pressing the **HELP** button then selecting **HOME SCREEN HELP** allows you to find additional information on features found on the Home Screen. Touch any pad on the Touch Screen for an explanation of that feature. To exit the feature, press the **BACK** button.

Setting the Machine Preferences

The machine settings on the Help feature allow you to control the volume of the button beep and end-of-cycle signal, and turn the washer/dryer communication feature on or off.

Press the **HELP** button, then select from the on-screen options.

Button Beep

The button beep controls the volume of the beep that is made when you press any of the buttons on the control panel or Touch Screen.

To change the volume of the button beep:

- 1 From the Home Screen, press the **HELP** button.
- 2 Select **MACHINE PREFERENCES** from the Touch Screen.
- 3 Select **BUTTON BEEP** from the Touch Screen.
- 4 Use the arrows to make the volume louder or softer, or to turn the beep off.
- 5 Select **OK** from the Touch Screen.

The new volume is now saved as the default setting.

Washer/Dryer Communication

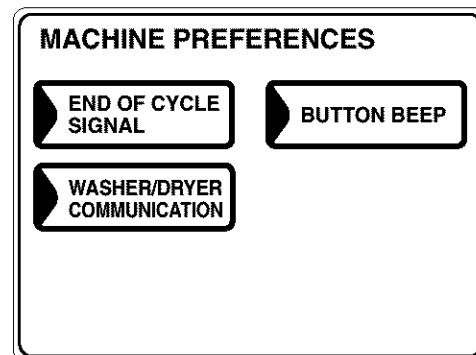
Washer/Dryer communication allows your dryer to receive cycle information from your washer to create a dry cycle that matches your wash load.

After the wash cycle is complete, communication begins once either the washer or dryer Touch Screen is activated.

Once the information is sent, your dryer can then create the optimal dry cycle for your load.

To turn the Washer/Dryer Communication feature on or off:

- 1 From the Home Screen, press the **HELP** button.
- 2 Select **MACHINE PREFERENCES** from the Touch Screen.
- 3 Select **WASHER/DRYER COMMUNICATION** from the Touch Screen.
- 4 Touch the pad at the bottom of the Touch Screen to select **ON** or **OFF**.
- 5 Select **OK** from the Touch Screen.



End-of-Cycle Signal

The End-of-Cycle signal alerts you when the cycle is complete.

To change the volume of the end-of-cycle signal:

- 1 From the Home Screen, press the **HELP** button.
- 2 Select **MACHINE PREFERENCES** from the Touch Screen.
- 3 Select **END OF CYCLE SIGNAL** from the Touch Screen.
- 4 Use the arrows to make the volume louder or softer, or to turn the signal off.
- 5 Select **OK** from the Touch Screen.

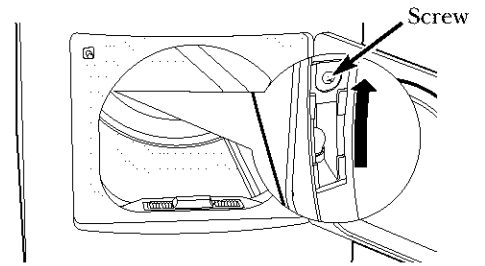
The new volume is now saved as the default setting.

Changing the Drum Lamp

Before replacing the drum lamp, be sure to unplug the dryer power cord or disconnect the dryer at the household distribution panel by removing the fuse or switching off the circuit breaker.

The drum lamp is located at the top left of the door frame.

- 1 Remove the screw holding the drum lamp shield in place.
- 2 Slide the shield up and remove.
- 3 Remove the bulb and replace with a 15-watt, 120-volt candelabra-base bulb.
- 4 Replace the lamp shield and screw.



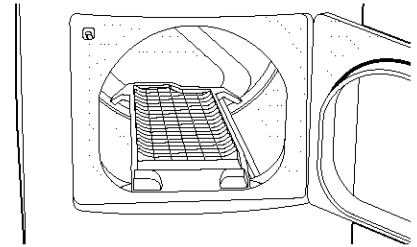
Using the Drying Rack

A handy drying rack may be used for drying delicate items such as washable sweaters.

Hook the rack over the lint filter so the rack extends into the dryer drum.

NOTE:

- The drying rack should only be used with the **TIMED DRY** or **RACK DRY** cycles. It is also strongly recommended when drying sneakers.
- Do not use this drying rack when there are other clothes in the dryer.



Always follow fabric manufacturer's care label when laundering.

Sorting and Loading Hints

As a general rule, if clothes are sorted properly for the washer, they are sorted properly for the dryer. Try also to sort items according to size. For example, do not dry a sheet with socks or other small items.

Do not add fabric softener sheets once the load has become warm. They may cause fabric softener stains. Bounce® Fabric Conditioner Dryer Sheets have been approved for use in all GE Dryers when used in accordance with the manufacturer's instructions.

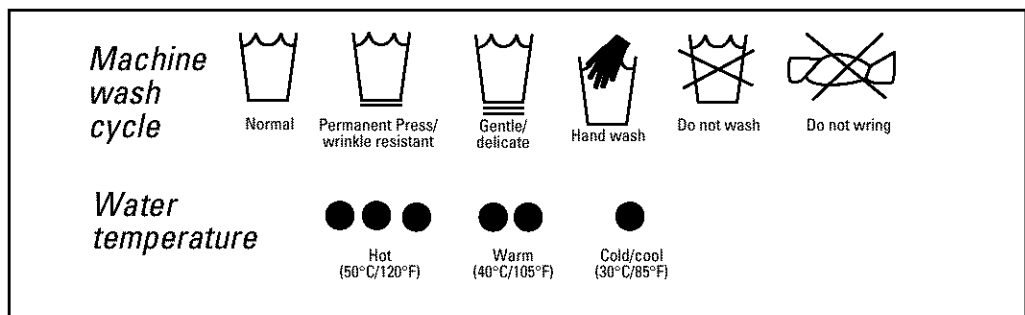
Do not overload. This wastes energy and causes wrinkling.

Do not dry the following items: fiberglass items, woolens, rubber-coated items, plastics, items with plastic trim and foam-filled items.

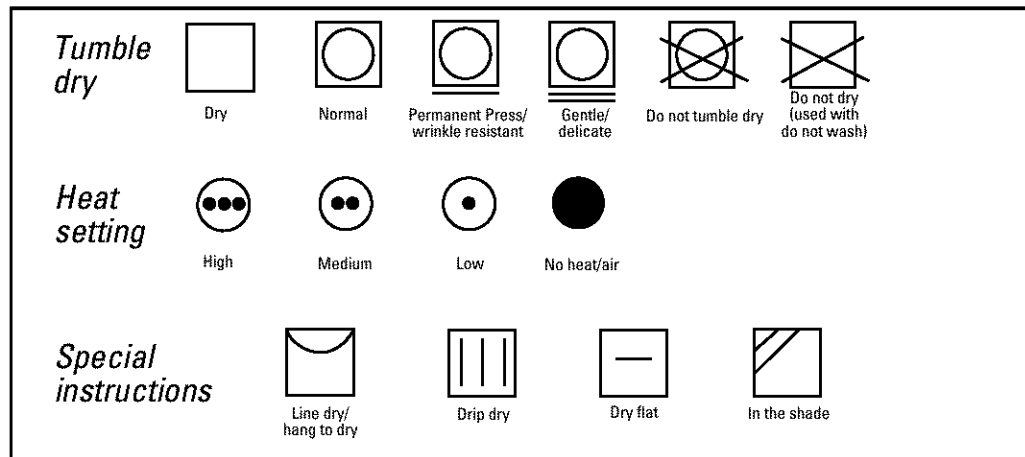
Fabric Care Labels

Below are fabric care label "symbols" that affect the clothing you will be laundering.

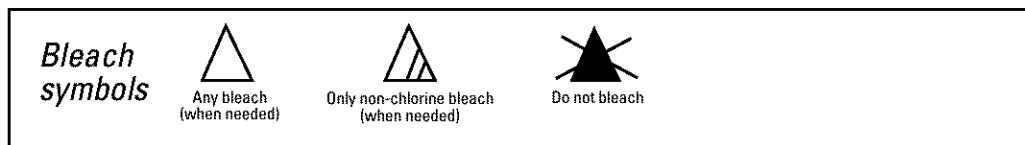
Wash Labels



Dry Labels



Bleach Labels



Care and Cleaning of the Dryer

Dryer Interior and Duct: The interior of the appliance and exhaust duct should be cleaned once a year by qualified service personnel.

The Exterior: Wipe or dust any spills or washing compounds with a damp cloth. Dryer control panel and finishes may be damaged by some laundry pretreatment soil and stain remover products. Apply these products away from the dryer. The fabric may then be washed and dried normally. Damage to your dryer caused by these products is not covered by your warranty.

Do not touch the surface or the Touch Screen with sharp objects.

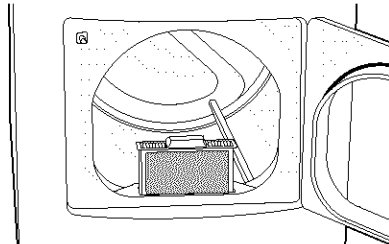
The Lint Filter: Clean the lint filter before each use. Remove by pulling straight up. Run your fingers across the filter. A waxy buildup may form on the lint filter from using dryer-added fabric softener sheets. To remove this buildup, wash the lint screen in warm, soapy water. Dry thoroughly and replace. Do not operate the dryer without the lint filter in place.

Vacuum the lint from the dryer lint filter area if you notice a change in dryer performance.

Stainless Steel: To clean stainless steel surfaces, use a damp cloth with a mild, nonabrasive cleaner suitable for stainless steel surfaces. Remove the cleaner residue, and then dry with a clean cloth.

The stainless steel used to make the dryer drum provides the highest reliability available in a GE dryer. If the dryer drum should be scratched or dented during normal use, the drum will not rust or corrode. These surface blemishes will not affect the function or durability of the drum.

The Exhaust Hood: Check with a mirror that the inside flaps of the hood move freely when operating. Make sure that there is no wildlife (birds, insects, etc.) nesting inside the duct or hood.



Installation Instructions

Dryer

DPGT750

Questions? Call 800.GE.CARES (800.432.2737) or visit our Web site at: www.GEAppliances.com

BEFORE YOU BEGIN

Read these instructions completely and carefully.

- **IMPORTANT** – Save these instructions for local electrical inspector's use.
- **IMPORTANT** – Observe all governing codes and ordinances.
- **Note to Installer** – Be sure to leave these instructions with the Consumer.
- **Note to Consumer** – Keep these instructions for future reference.
- This dryer **must** be exhausted to the outdoors.
- Before the old dryer is removed from service or discarded, remove the dryer door.
- Service information and the wiring diagram are located in the control console.
- Do not allow children on or in the appliance. Close supervision of children is necessary when the appliance is used near children.
- Proper installation is the responsibility of the installer.
- Product failure due to improper installation is not covered under the Warranty.
- This dryer is not approved for mobile home installation.

FOR YOUR SAFETY:

WARNING

- Use only rigid metal or flexible metal 4-inch diameter ductwork for exhausting to the outdoors. Never use plastic or other combustible easy-to-puncture ductwork.
- This appliance must be properly grounded and installed as described in these instructions.
- Do not install or store appliance in an area where it will be exposed to water and/or weather.
- The National Fuel Gas Code restricts installations of gas appliances in garages. They must be 18 inches off the ground and protected by a barrier from vehicles.
- Install the dryer where the temperature is above 50°F for satisfactory operation of the dryer control system.

FOR GAS MODELS ONLY:

NOTE: Installation and service of this dryer must be performed by a qualified installer, service agency or the gas supplier.

In the Commonwealth of Massachusetts:

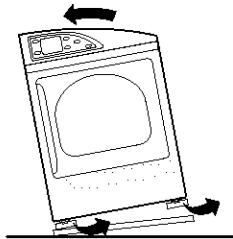
- This product must be installed by a licensed plumber or gas fitter.
- When using ball-type gas shut-off valves, they shall be T-handle-type.
- A flexible gas connector, when used, must not exceed 3 feet.

Installation Instructions

UNPACKING YOUR DRYER

Tilt the dryer sideways and remove the foam shipping pads by pulling at the sides and breaking them away from the dryer legs. Be sure to remove all of the foam pieces around the legs.

Remove the bag containing the drying rack, literature and serial cable.



SWITCH WASHER AND DRYER BACKSPLASHES (optional)

If necessary, switch the backsplashes for the washer and dryer before making exhaust or utility connections (see "Switching the Washer and Dryer Backsplashes").

LOCATION OF YOUR DRYER

IMPORTANT: This dryer is not approved for mobile home installation.

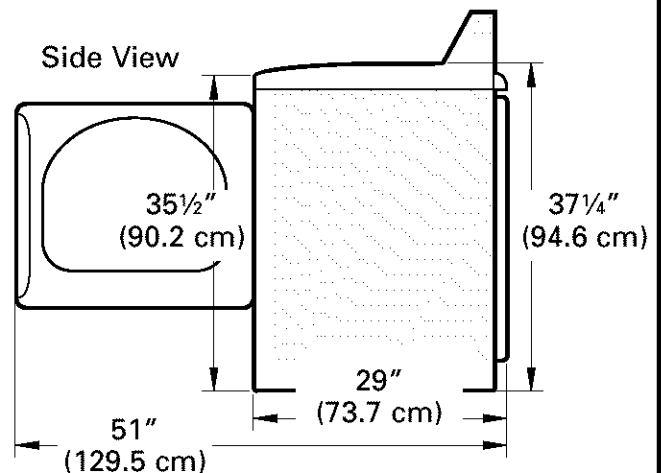
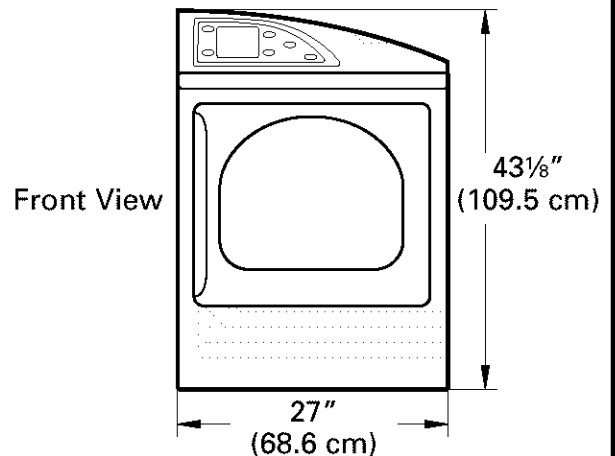
MINIMUM CLEARANCE OTHER THAN ALCOVE OR CLOSET INSTALLATION

Minimum clearance to combustible surfaces and for air openings are:

- 0 inch clearance both sides
- 1 inch front
- 3 inches rear

Consideration **must** be given to provide adequate clearance for proper operation and service.

DRYER DIMENSIONS



Installation Instructions

LOCATION OF YOUR DRYER (cont.)

REQUIREMENTS FOR ALCOVE OR CLOSET INSTALLATION

- Your dryer is approved for installation in an alcove or closet, as stated on a label on the dryer back.
- The dryer **MUST** be vented to the outdoors. See the EXHAUST INFORMATION section.
- Minimum clearance between dryer cabinet and adjacent walls or other surfaces is:
 - 0" either side
 - 3" front and rear
- Minimum vertical space from floor to overhead shelves, cabinets, ceilings, etc., is 52".
- Closet doors must be louvered or otherwise ventilated and have at least 60 square inches of open area equally distributed. If the closet contains both a washer and a dryer, doors must contain a minimum of 120 square inches of open area equally distributed.
- No other fuel-burning appliance shall be installed in the same closet with the dryer (gas models only).

BATHROOM OR BEDROOM INSTALLATION

- The dryer **MUST** be vented to the outdoors. See EXHAUST INFORMATION.
- The installation must conform with local codes or, in the absence of local codes, with the NATIONAL ELECTRICAL CODE, ANSI/NFPA NO. 70 (for electric dryers) or NATIONAL FUEL GAS CODE, ANSI Z223 (for gas dryers).

Installation Instructions

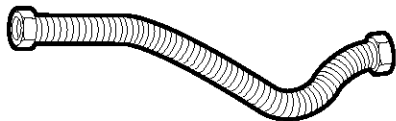
CONNECTING A GAS DRYER (skip for electric dryers)

TOOLS AND MATERIALS YOU WILL NEED FOR CONNECTING THE GAS SUPPLY

- ❑ Flat- or straight-blade screwdriver (may be needed for cord strain relief)



- ❑ Flexible stainless steel or plastic-coated brass connecting tube (if allowed by building code)



- ❑ Open-end wrenches for flexible tube and connector



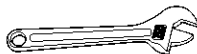
- ❑ Adjustable pliers (to adjust leveling legs)



- ❑ Pipe wrench for holding dryer gas inlet while attaching adapter elbow



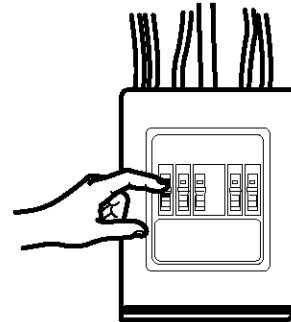
- ❑ Adjustable wrenches (2) for tightening connections



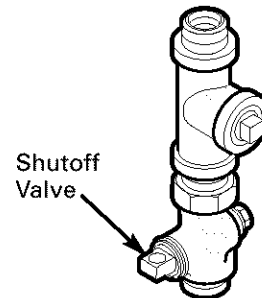
FOR YOUR SAFETY:

⚠ WARNING

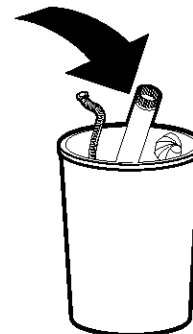
Before beginning the installation, turn off the circuit breaker(s) or remove the dryer's circuit fuse(s) at the electrical box. Be sure the dryer cord is unplugged from the wall.



Turn the dryer's gas shutoff valve in the supply line to the OFF position.



Disconnect and discard old flexible gas connector and ducting material.



Installation Instructions

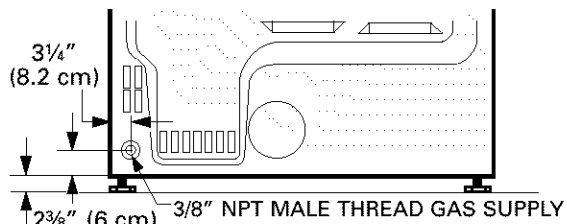
CONNECTING A GAS DRYER (cont.)

GAS REQUIREMENTS

⚠ WARNING

- Installation must conform to local codes and ordinances, or in their absence, the NATIONAL FUEL GAS CODE, ANSI Z223.
- This gas dryer is equipped with a Valve and Burner Assembly for use only with natural gas. Using conversion kit WE25X10014, your local service organization can convert this dryer for use with propane (LP) gas. ALL CONVERSIONS MUST BE MADE BY PROPERLY TRAINED AND QUALIFIED PERSONNEL AND IN ACCORDANCE WITH LOCAL CODES AND ORDINANCE REQUIREMENTS.
- The dryer must be disconnected from the gas supply piping system during any pressure testing of that system at a test pressure in excess of 0.5 PSI (3.4 KPa).
- The dryer must be isolated from the gas supply piping system by closing the equipment shut-off valve during any pressure testing of the gas supply piping of test pressure equal to or less than 0.5 PSI (3.4KPa).

DRYER GAS SUPPLY CONNECTION



NOTE: Add to vertical dimension the distance between cabinet bottom to floor.

GAS SUPPLY

- A 1/8" National Pipe Taper thread plugged tapping, accessible for test gauge connection, must be installed immediately upstream of the gas supply connection to the dryer. Contact your local gas utility should you have questions on the installation of the plugged tapping.
- Supply line is to be 1/2" rigid pipe and equipped with an accessible shutoff within 6 feet of, and in the same room with, the dryer.
- Use pipe compound appropriate for natural or LP gas or use Teflon® tape.
- Connect flexible metal connector to dryer and gas supply.

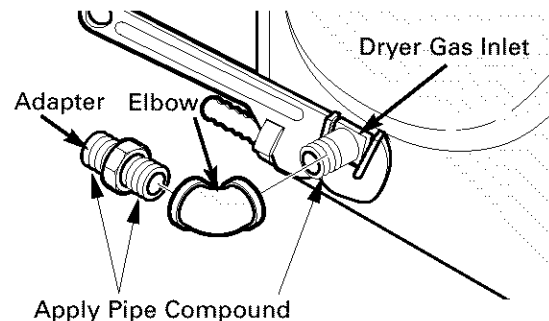
CONNECTING THE DRYER TO THE GAS SUPPLY

- A** Install a female 3/8" NPT elbow at the end of the dryer gas inlet.

Install a 3/8" flare union adapter to the female elbow.

IMPORTANT: Use a pipe wrench to securely hold on to the end of the dryer gas inlet to prevent twisting the inlet.

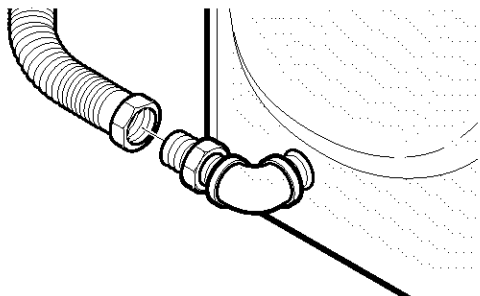
NOTE: Apply pipe compound or Teflon® tape to the threads of the adapter and dryer gas inlet.



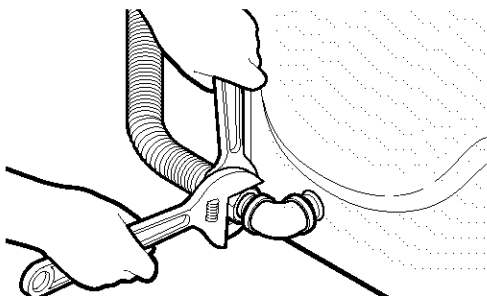
Installation Instructions

CONNECTING THE DRYER TO THE GAS SUPPLY (cont.)

- B** Attach the flexible metal gas line connector to the adapter.



- C** Tighten the flexible gas line connection using two adjustable wrenches.

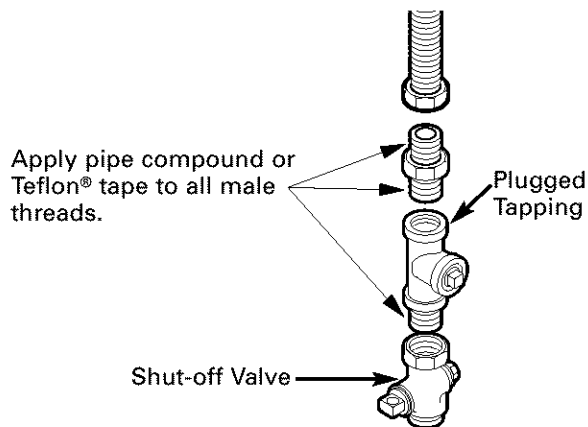


CONNECTING THE DRYER TO THE GAS SUPPLY (cont.)

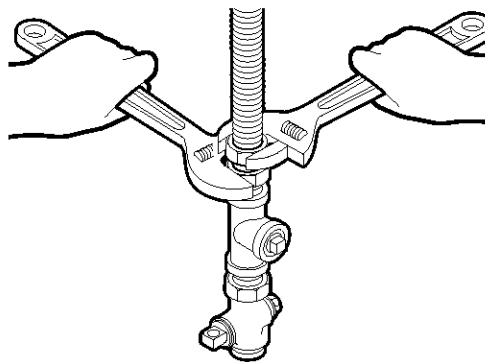
- D** Install a 1/8" NPT plugged tapping to the dryer gas line shut-off valve for checking gas inlet pressure.

Install a flare union adapter to the plugged tapping.

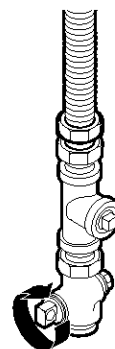
NOTE: Apply pipe compound or Teflon® tape to the threads of the adapter and plugged tapping.



- E** Tighten all connections using two adjustable wrenches. **Do not overtighten.**



- F** Open the gas shutoff valve.



Installation Instructions

CONNECTING A GAS DRYER (cont.)

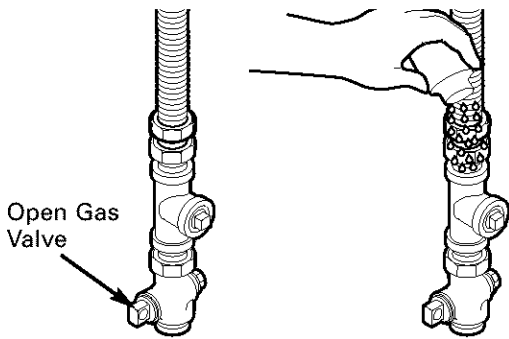
TEST FOR LEAKS

⚠ WARNING – Never use an open flame to test for gas leaks.

Check all connections for leaks with soapy solution or equivalent.

Apply a soap solution. The leak test solution must not contain ammonia, which could cause damage to the brass fittings.

If leaks are found, close the valve, retighten the joint and repeat the soap test.

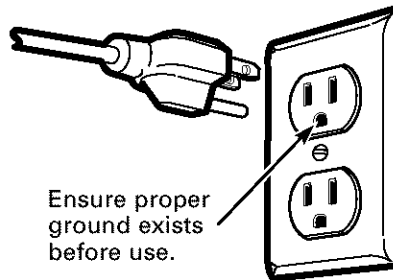


ELECTRICAL REQUIREMENTS FOR GAS DRYERS

This appliance must be supplied with 120V, 60Hz, and connected to a properly grounded branch circuit, protected by a 15- or 20-amp circuit breaker or time-delay fuse.

If electrical supply provided does not meet the above specifications, it is recommended that a licensed electrician install an approved outlet.

⚠ WARNING – This dryer is equipped with a three-prong (grounding) plug for your protection against shock hazard and should be plugged directly into a properly grounded three-prong receptacle. Do not cut or remove the grounding terminal from this plug.

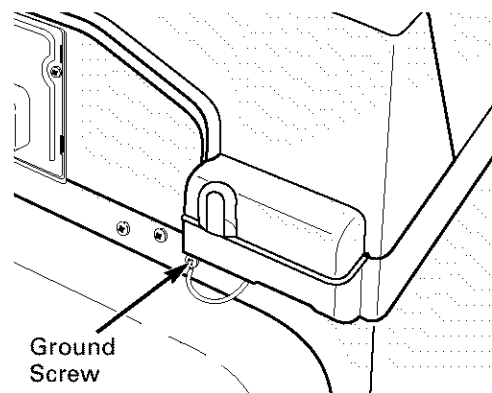


ELECTRICAL CONNECTION INFORMATION FOR GAS DRYERS

⚠ WARNING – To reduce the risk of fire, electrical shock and personal injury:

- Do not use an extension cord or an adapter plug with this appliance.
- The dryer must be electrically grounded in accordance with local codes and ordinances, or in the absence of local codes, in accordance with the NATIONAL ELECTRICAL CODE, ANSI/NFPA NO. 70.

If local codes permit, an external ground wire (not provided), which meets local codes, may be added by attaching to the green ground screw on the rear of the dryer, and to an alternate established ground.



Installation Instructions

CONNECTING AN ELECTRIC DRYER (skip for gas dryers)

TOOLS AND MATERIALS YOU WILL NEED FOR CONNECTING THE ELECTRICAL SUPPLY

- Flat- or straight-blade screwdriver (may be needed for cord strain relief)



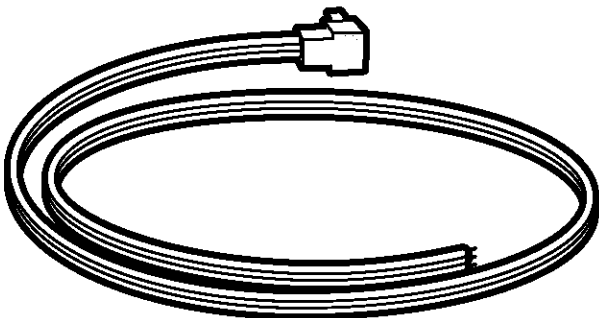
- #2 Phillips-head screwdriver (for terminal connections)



- UL-listed strain relief (may be supplied with cord)



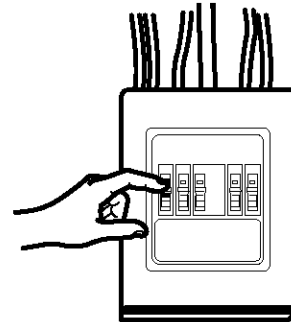
- UL-listed power cord
 - 30-amp
 - 240V
 - #10 AWG minimum copper conductor
 - Closed-loop or forked terminals with upturned ends
 - 3-wire (for construction before 1996) or 4-wire (for construction after 1996)



FOR YOUR SAFETY:

⚠ WARNING

Before making the electrical connection, turn off the circuit breaker(s) or remove the dryer's circuit fuse(s) at the electrical box. Be sure the dryer cord is unplugged from the wall. NEVER LEAVE THE ACCESS COVER OFF THE TERMINAL BLOCK.



ELECTRICAL CONNECTION INFORMATION FOR ELECTRIC DRYERS

⚠ WARNING – To reduce the risk of fire, electrical shock and personal injury:

- Do not use an extension cord or an adapter plug with this appliance.
- The dryer must be electrically grounded in accordance with local codes and ordinances, or in the absence of local codes, in accordance with the NATIONAL ELECTRICAL CODE, ANSI/NFPA NO. 70.

Installation Instructions

CONNECTING AN ELECTRIC DRYER (cont.)

ELECTRICAL REQUIREMENTS FOR ELECTRIC DRYERS

This dryer must be connected to an individual branch circuit, protected by the required time-delay fuses or circuit breakers. A three- or four-wire, single phase, 120/240V or 120/208V, 60Hz, 30-amp circuit is required.

If the electric supply does not meet the above specifications, then call a licensed electrician.

GROUNDING INSTRUCTIONS

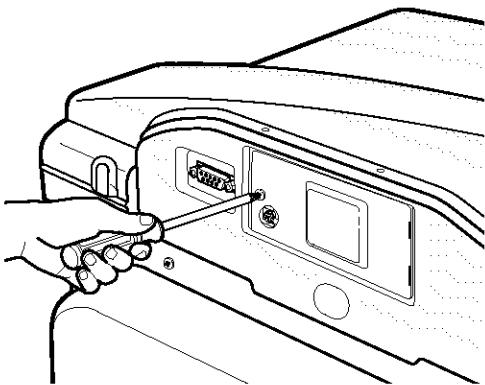
This dryer must be connected to a grounded metal, permanent wiring system, or an equipment-grounding conductor must be run with the circuit conductors and connected to the equipment grounding terminal on the appliance.

CONNECTING DRYER POWER CORD

NOTE: Since January 1, 1996, the National Electrical Code requires that new constructions utilize a 4-wire connection to an electric dryer. A 4-wire cord must also be used where local codes do not permit grounding through the neutral.

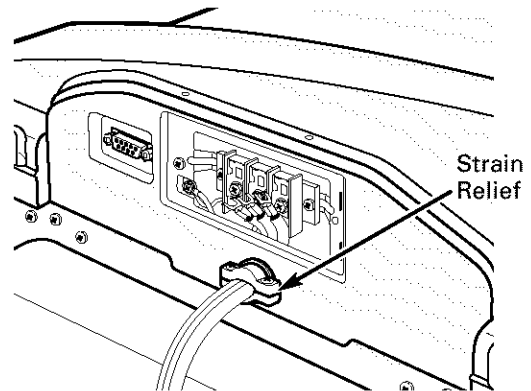
3-wire connection is NOT for use on new construction.

- A** Remove the terminal block access cover located at the upper back.



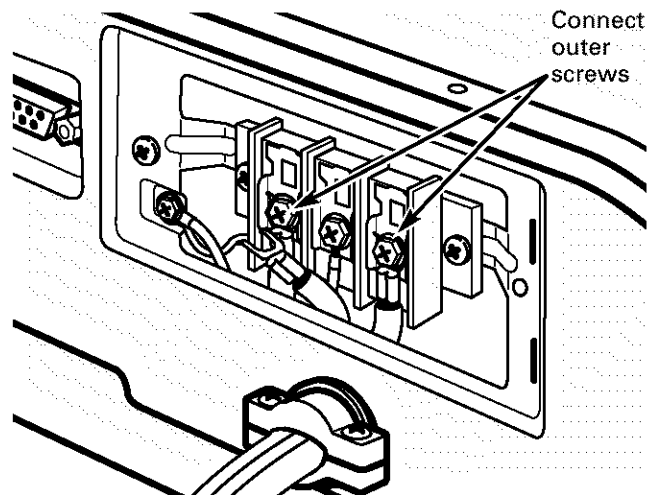
CONNECTING DRYER POWER CORD (cont.)

- B** For 3-wire and 4-wire Connection: Install a UL-listed strain relief into the power cord entry hole beneath the terminal block. Thread a UL-listed 30A, 240V, 3-wire or 4-wire, #10 AWG minimum copper conductor power cord through the strain relief.



(3-wire Connection Shown)

- C** For 3-wire and 4-wire Connection: Connect the two hot lines to the outer screws of the terminal block.



(3-wire Connection Shown)

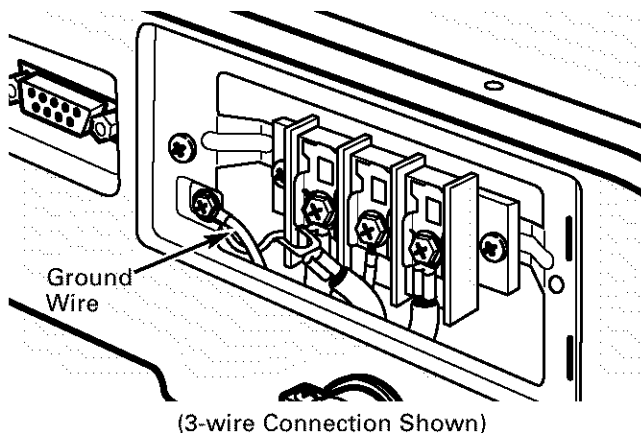
- ⚠ WARNING:** Do not make a sharp bend or crimp wiring/conductor at connections.

Installation Instructions

CONNECTING DRYER POWER CORD (cont.)

D For 3-wire Connection ONLY:

Be sure the dryer's green ground wire is connected to neutral (center) terminal of block and to green ground screw on cabinet rear.

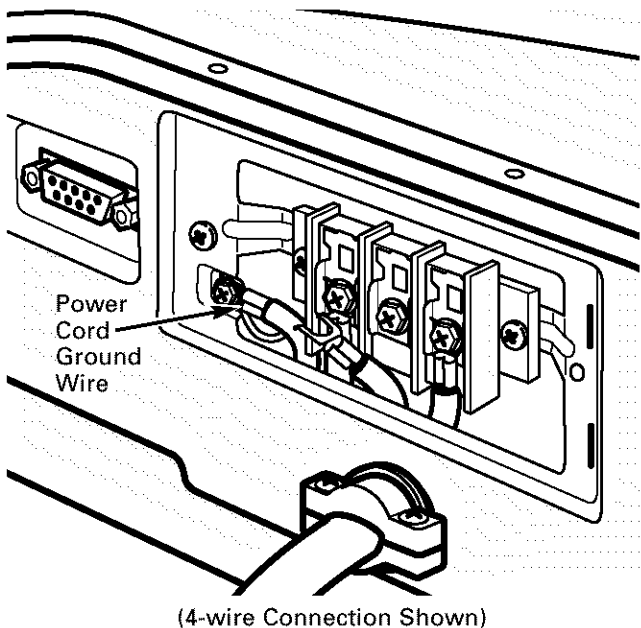


For 4-wire Connection ONLY:

Remove and discard the dryer's ground wire between the cabinet and the center of the terminal block.

IMPORTANT: Do NOT remove the long ground wire that runs down inside the dryer cabinet.

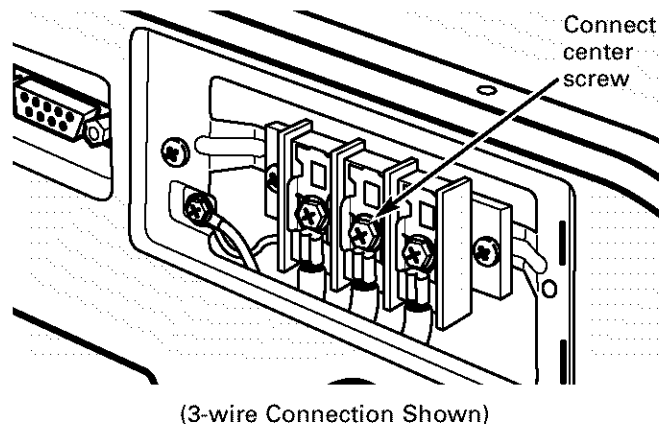
Attach ground wire of power cord to the cabinet with the green ground screw.



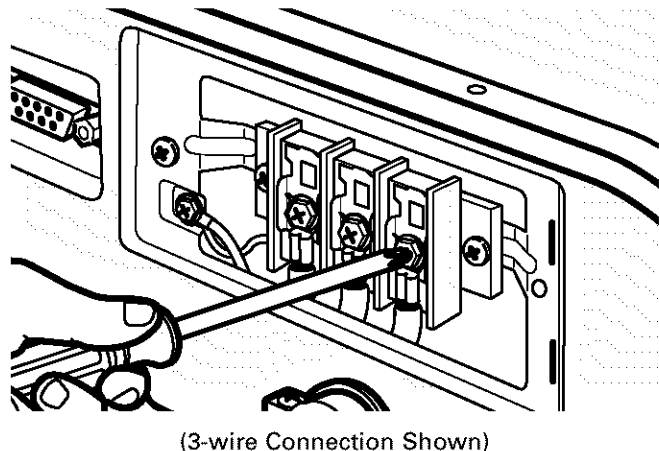
CONNECTING DRYER POWER CORD (cont.)

E For 3-wire and 4-wire Connection:

Connect the neutral (center line on 3-wire, white line on 4-wire) line to the center of terminal block.



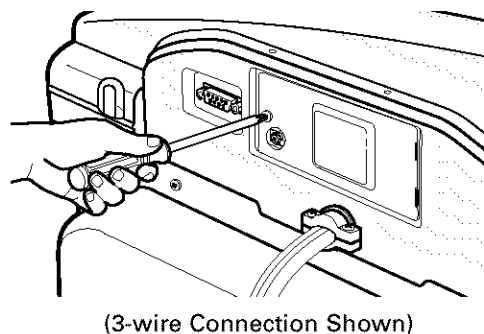
F For 3-wire and 4-wire Connection: Tighten all terminal block screws completely.



G For 3-wire and 4-wire Connection:

Reinstall the terminal block access cover.

IMPORTANT: Do not leave the access cover off.



Installation Instructions

EXHAUSTING THE DRYER

⚠ WARNING – To reduce the risk of fire or personal injury:

- This dryer must be exhausted to the outdoors.
- Use only metal duct.
- Do not terminate exhaust in a chimney, any gas vent, under an enclosed floor (crawl space) or into an attic. The accumulated lint could create a fire hazard.
- Provide an access for inspection and cleaning of the exhaust system, especially at turns. Inspect and clean at least once a year.
- Never terminate the exhaust into a common duct with a kitchen exhaust. A combination of lint and grease could create a fire hazard.
- Do not obstruct incoming or exhausted air.

TOOLS AND MATERIALS YOU WILL NEED TO INSTALL EXHAUST DUCT

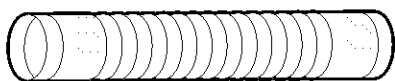
- Phillips-head screwdriver



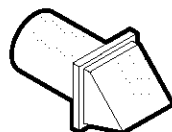
- Duct tape or duct clamp



- Rigid or UL-listed flexible metal 4" (10.2 cm) duct



- Vent hood



EXHAUST SYSTEM CHECKLIST

HOOD OR WALL CAP

- Terminate in a manner to prevent back drafts or entry of birds or other wildlife.
- Termination should present minimal resistance to the exhaust airflow and should require little or no maintenance to prevent clogging.
- Never install a screen in or over the exhaust duct.
- Wall caps must be installed at least 12" above ground level or any other obstruction with the opening pointed down.
- If roof vents or louvered plenums are used, they must be equivalent to a 4" dampened wall cap in regard to resistance to airflow, prevention of back drafts and maintenance required to prevent clogging.

SEPARATION OF TURNS

- For best performance, separate all turns by at least 4 ft. of straight duct, including distance between last turn and dampened wall cap. For turns less than 4 ft. apart, see the Ducting Component Equivalency Chart.

SEALING OF JOINTS

- All joints should be tight to avoid leaks. The male end of each section of duct must point away from the dryer.
- Do not assemble the ductwork with fasteners that extend into the duct. They will serve as a collection point for lint.
- Duct joints should be made air- and moisture-tight by wrapping the overlapped joints with duct tape or aluminum tape.
- Horizontal runs should slope down towards outdoors 1/4" per foot.

INSULATION

- Ductwork that runs through an unheated area or is near air conditioning should be insulated to reduce condensation and lint buildup.

Installation Instructions

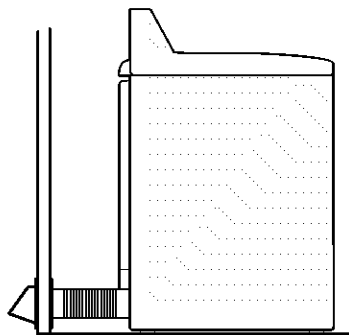
USING FLEXIBLE METAL DUCT FOR TRANSITION VENTING

Rigid or semi-rigid metal ducting is recommended for use as transition ducting between the dryer and the wall. In special installations when it is impossible to make a connection with the above recommendations, then a UL-listed flexible metal transition duct may be used between the dryer and wall connection only. The use of this ducting will affect dry time.

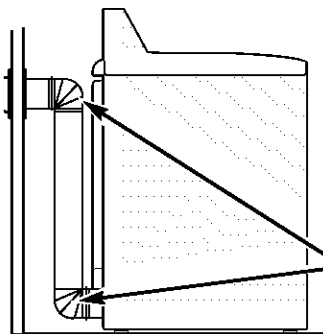
If flexible metal transition duct is necessary, the following directions must be followed:

- Use the shortest length possible.
- Stretch the duct to its maximum length.
- Do not crush or collapse.
- Never use flexible metal ducting inside the wall or inside the dryer.
- Avoid resting the duct on sharp objects.
- Venting must conform to local building codes.

FOR TRANSITION VENTING (DRYER TO WALL), DO:

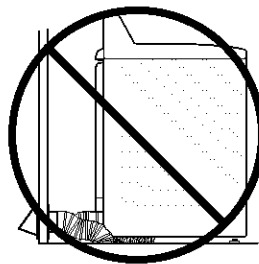


- **DO** cut duct as short as possible and install straight into wall.

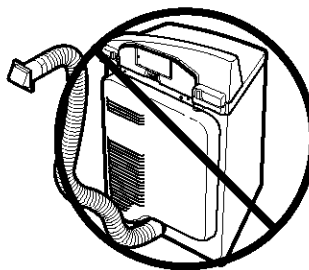


- **DO** use elbows when turns are necessary.

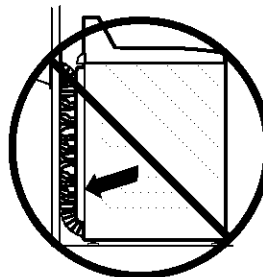
DO NOT:



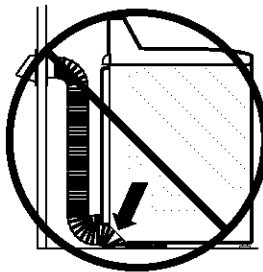
- **DO NOT** bend or collapse ducting. Use elbows if turns are necessary.



- **DO NOT** use excessive exhaust length. Cut duct as short as possible.



- **DO NOT** crush duct against the wall.



- **DO NOT** set dryer on duct.

Installation Instructions

EXHAUSTING THE DRYER (cont.)

⚠ WARNING

USE ONLY METAL 4" DUCT. DO NOT USE DUCT LONGER THAN SPECIFIED IN THE EXHAUST LENGTH TABLE.

Ducting longer than 150 equivalent feet will:

- Increase the drying times and the energy cost.
- Reduce the dryer life.
- Accumulate lint, creating a potential fire hazard.

The correct exhaust installation is your responsibility.



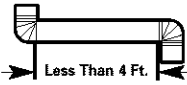
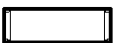
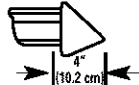
Problems due to incorrect installation are not covered by the warranty.

The length of the exhaust system depends upon the type of duct, number of turns and the type of exhaust hood (wall cap), and all conditions noted below. Both rigid and flexible metal ducts are shown in the table.

For satisfactory air movement, the total duct length should not exceed **150** equivalent feet.

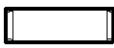



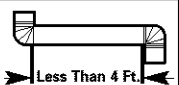
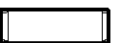




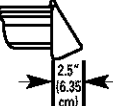
EXAMPLE ONLY

The following chart describes an example of one possible ductwork installation.

	DUCT PIECES	EQUIVALENT RIGID LENGTH	X	NUMBER USED	=	EQUIVALENT LENGTH
TRANSITION DUCTING (DRYER TO WALL)	 Rigid Metal Ducting (Preferred)	1 Ft.	X	(4)	=	4 Ft.
INSIDE WALLS/CEILING (WALL TO WALL CAP)	 Elbows (90°/45°)	10 Ft.	X	(3)	=	30 Ft.
	 Turns Less Than 4 Ft.	2 Ft.	X	(1)	=	2 Ft.
	 Rigid Ducting	1 Ft.	X	(5)	=	5 Ft.
WALL CAPS	 4" Wall Cap	5 Ft.	X	(1)	=	5 Ft.
Total Ductwork Length					=	46 Ft.
TOTAL MUST BE LESS THAN OR EQUAL TO 150 FT.						

Installation Instructions

DUCTING COMPONENT EQUIVALENCY CHART

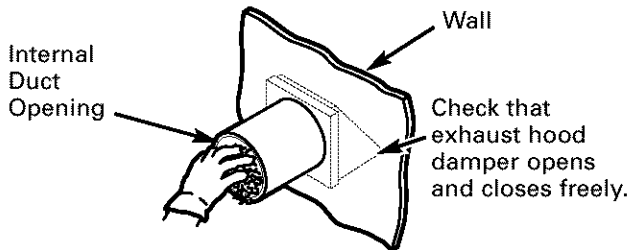
	DUCT PIECES	EQUIVALENT RIGID LENGTH	X	NUMBER USED	=	EQUIVALENT LENGTH
TRANSITION DUCTING (DRYER TO WALL)	 Rigid Metal Ducting (Preferred)	1 Ft.	X	()	=	Ft.
	 Semi-Rigid Metal Ducting (inside diameter does not change)	25 Ft.	X	()	=	Ft.
	 Flexible Metal Ducting (inside diameter changes)	50 Ft.	X	()	=	Ft.
INSIDE WALLS/CEILING (WALL TO WALL CAP)	 Elbows (90°/45°)	10 Ft.	X	()	=	Ft.
	 Turns less Than 4 Ft.	2 Ft.	X	()	=	Ft.
	 Rigid Metal Ducting	1 Ft.	X	()	=	Ft.
	 Semi-Rigid Metal Ducting	2 Ft.	X	()	=	Ft.
	 Flexible Metal Ducting Not Recommended					
WALL CAPS	 4" Wall Cap	5 Ft.	X	()	=	Ft.
	 Louvered Wall Cap	10 Ft.	X	()	=	Ft.
	 2.5" Wall Cap	23 Ft.	X	()	=	Ft.
Total Ductwork Length					=	Ft.
TOTAL MUST BE LESS THAN OR EQUAL TO 150 FT.						

Installation Instructions

EXHAUSTING THE DRYER (cont.)

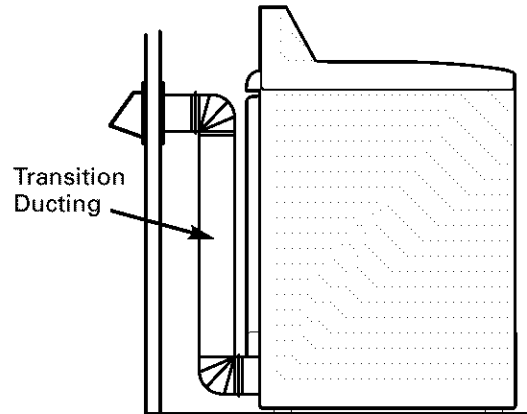
BEFORE YOU BEGIN

Remove any lint from the wall exhaust opening.



RECOMMENDED CONFIGURATION TO MINIMIZE EXHAUST BLOCKAGE

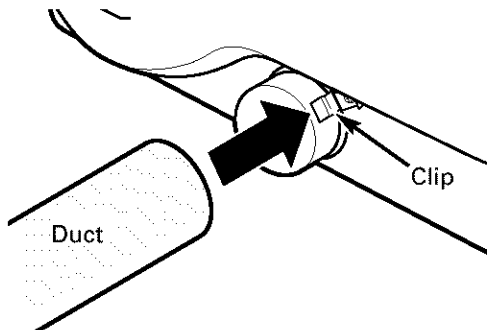
Using duct elbows will prevent duct kinking and collapsing.



STANDARD REAR EXHAUST

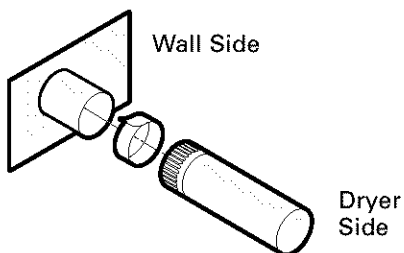
We recommend that you install your dryer before installing your washer. This will permit direct access for easier exhaust connection.

Slide the end of the exhaust duct underneath the clips on the back of the dryer and secure with duct tape or a hose clamp.



NOTE: We strongly recommend using rigid metal exhaust duct. If using semi-rigid metal duct, cut it to the proper length and avoid bunching of the duct behind the dryer.

- For straight-line installation, connect the dryer exhaust to the wall using duct tape.



DRYER EXHAUST TO SIDE OR BOTTOM OF CABINET

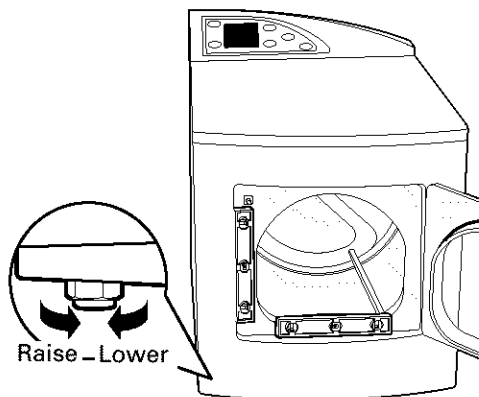
If you wish to exhaust your dryer to the side or bottom of the cabinet, order exhaust kit 14-A003, available from your GE supplier.

Installation Instructions

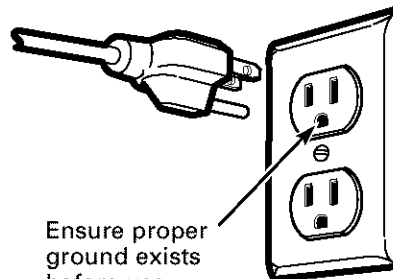
FINAL SETUP

1 LEVEL THE DRYER

Stand the dryer near the final location. Place a level against the side and bottom of the dryer door frame and use the four leveling legs to level your dryer.



3 PLUG DRYER IN

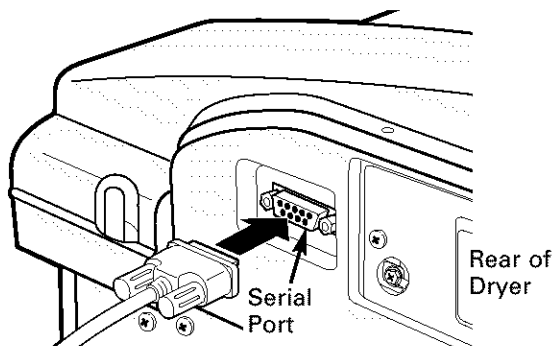


Ensure proper ground exists before use.

2 ATTACH SERIAL CABLE

Attach the serial cable for washer and dryer connection to the serial port on the back of the dryer.

Attach the other end of the cable to the washer before pushing the washer into its final position.

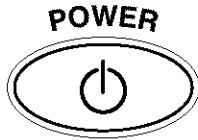


Installation Instructions

FINAL SETUP (cont.)

4 DRYER STARTUP

Press the POWER button.



NOTE: If the dryer has been exposed to temperatures below freezing for an extended period of time, allow it to warm up before pressing POWER. Otherwise, the display will not come on.

The dryer is now ready for use.

SERVICING

⚠ WARNING – Label all wires prior to disconnection when servicing controls. Wiring errors can cause improper and dangerous operation after servicing/installation.

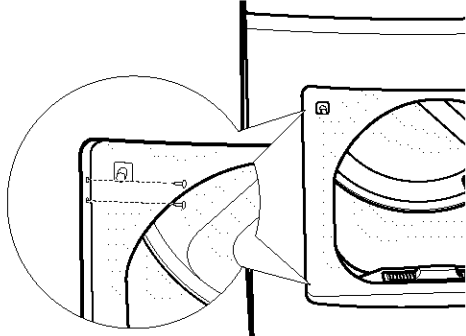
For replacement parts and other information, refer to the Owner's Manual for servicing phone numbers.

Installation Instructions

REVERSING THE DOOR SWING (if desired)

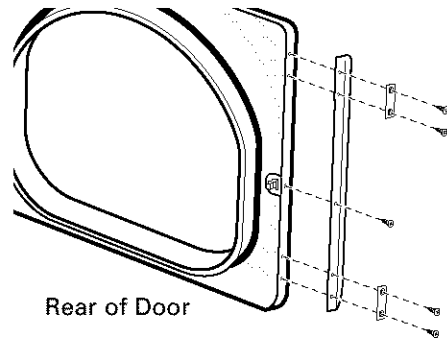
1 REMOVE FILLER PLUGS

Open the door and remove the filler plugs opposite the hinges.



3 REMOVE HANDLE

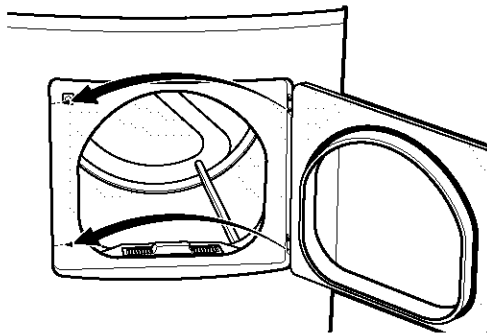
Remove the screws holding the handle and two spacers.



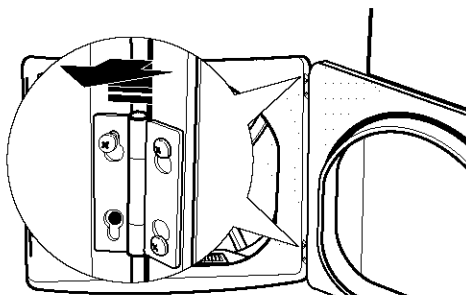
Rear of Door

2 REMOVE DOOR

- With the door completely open, remove the **BOTTOM** screw from each hinge on the dryer face.
- Insert the screws about halfway into the **TOP** holes, for each hinge, on the opposite side (where you removed the filler plugs). Apply firm pressure to get the screw started in new holes.

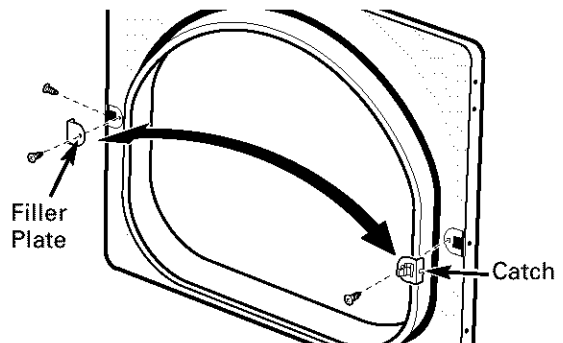


- Loosen the **TOP** screw from each hinge on the dryer face halfway. With one hand holding the top of the door and the other hand holding the bottom, remove the door from the dryer by lifting it **UP** and **OUT**.



4 REVERSE DOOR CATCH

Remove the door catch and filler plate. Install them on opposite sides of the door.



Filler Plate

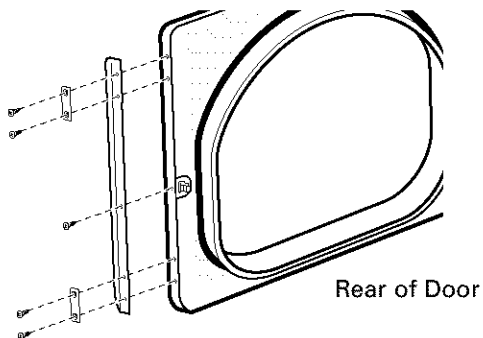
Catch

Installation Instructions

REVERSING THE DOOR SWING (cont.)

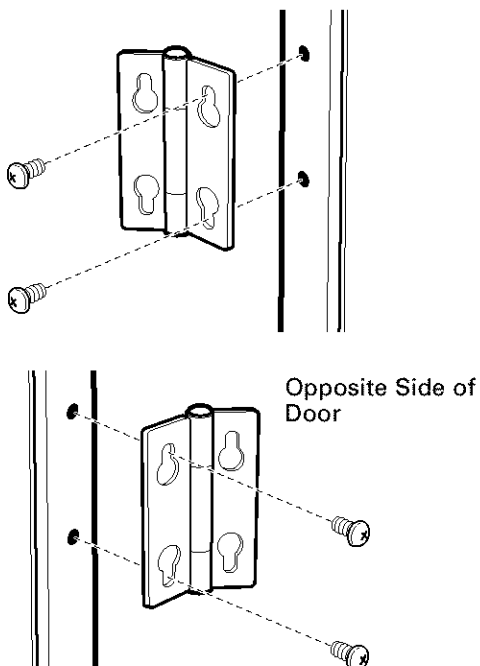
5 REVERSE HANDLE

Install the handle on the opposite side of the door.



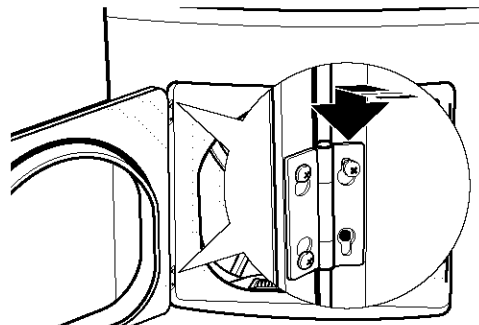
6 REMOVE HINGES AND REHANG DOOR

Remove the hinges from the door and install them on the opposite side with the hinge pin toward the outside of the door.

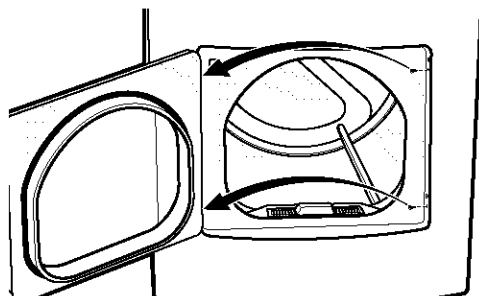


6 REMOVE HINGES AND REHANG DOOR (cont.)

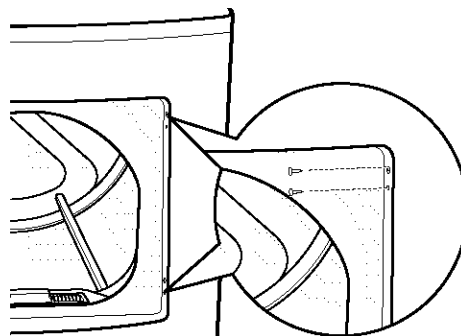
Insert the door on the opposite side of the opening by moving the door **IN** and **DOWN** until the top hinge and the bottom hinge are resting on the top screws inserted in Step 2.



Remove the remaining screws from the side of the opening from which the door was removed. With these screws, secure each hinge at the bottom.



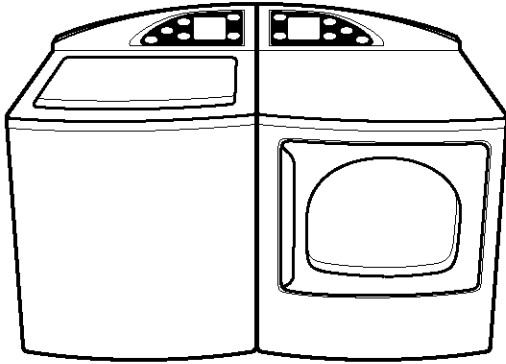
Tighten the two top screws of each hinge. Reinsert the plastic plugs on the side from which the door was removed.



Installation Instructions

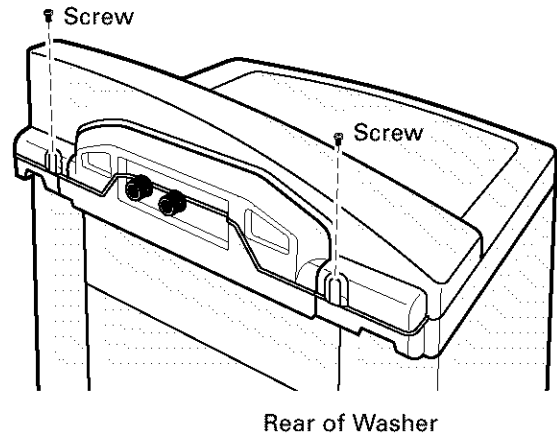
SWITCHING THE WASHER AND DRYER BACKSPLASHES (not required for most installations)

When viewed from the front, the washer is shipped for installation on the left and the dryer is shipped for installation on the right. If your hose utility connections are arranged so that the units must be installed with the washer on the right and the dryer on the left, you can switch the backsplashes of the washer and dryer in order to maintain the proper curved appearance.

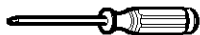


1 REMOVE WASHER BACKSPLASH

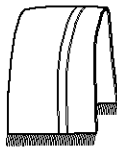
Place a towel over the lid of the washer to prevent scratches to the surface. Remove the two outer screws from the rear of the washer backsplash. Rotate backsplash forward and lift off.



TOOLS YOU WILL NEED



☐ #2 Phillips screwdriver



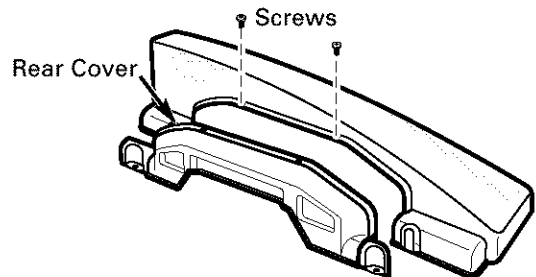
☐ Towel (2)

⚠ WARNING!

Make sure the washer and dryer are unplugged.

2 REMOVE BACKSPLASH REAR COVER

Remove the two screws holding the washer backsplash to the rear cover. Pull off the rear cover.

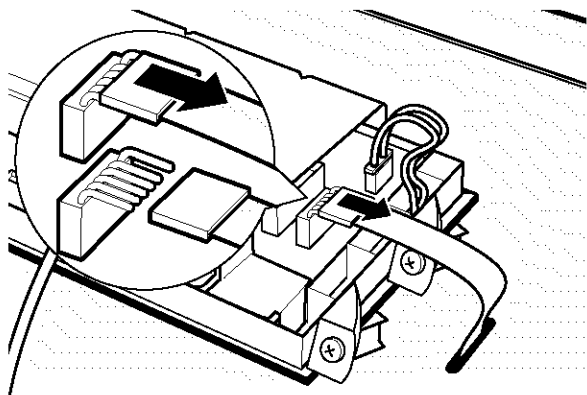


Installation Instructions

3 DISCONNECT WASHER CONTROL BOARD

Disconnect the ribbon at the right of the control board by pulling the connector at the end of the ribbon off the metal pins on the control board.

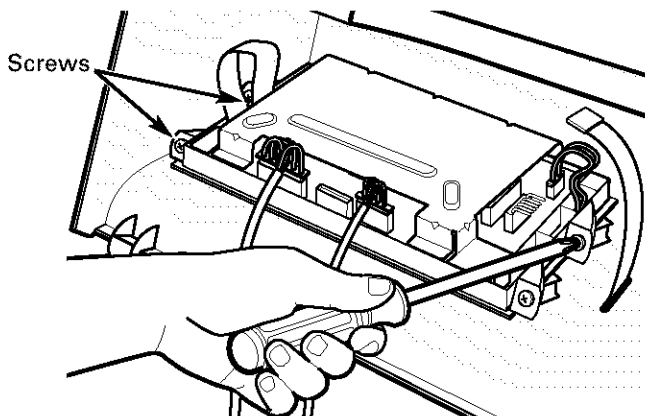
NOTE: Do not disconnect any other wires from the control board.



Rear of Washer

4 REMOVE CONTROL BOARD FROM WASHER BACKSPLASH

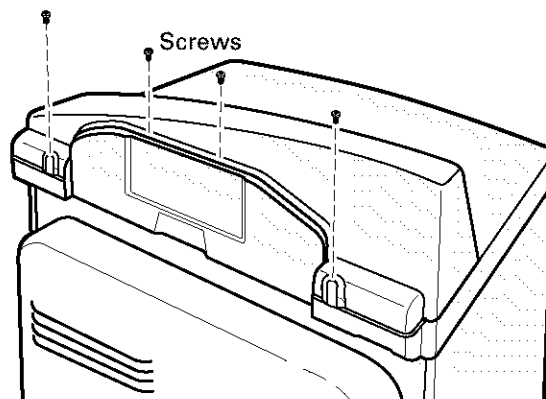
Remove the four screws holding the control board to the backsplash. Remove the control board and set it aside.



5 REMOVE DRYER BACKSPLASH

Place a towel over the top surface of the dryer to prevent scratches to the surface.

Remove the four screws from the rear of the dryer backsplash. Rotate backsplash forward and lift off.

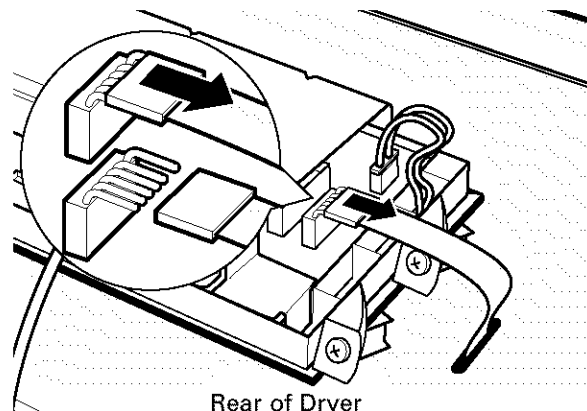


Rear of Dryer

6 DISCONNECT DRYER CONTROL BOARD

Disconnect the ribbon at the right of the control board by pulling the connector at the end of the ribbon off the metal pins on the control board.

NOTE: Do not disconnect any other wires from the control board.

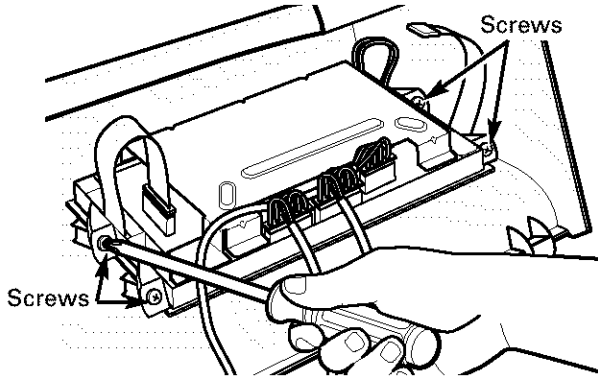


Rear of Dryer

Installation Instructions

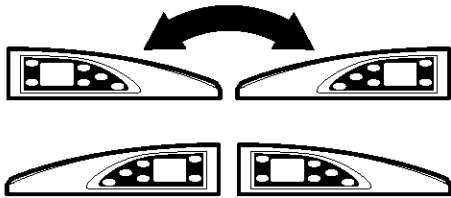
7 REMOVE CONTROL BOARD FROM DRYER BACKSPLASH

Remove the four screws holding the control board to the backsplash. Remove the control board and set it aside.



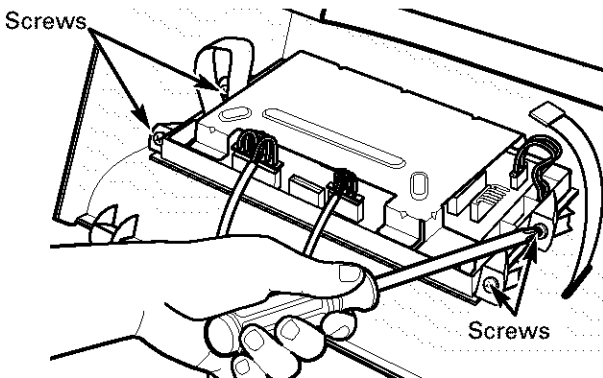
8 SWITCH BACKSPLASHES

Place the backsplash from the dryer on top of the washer and place the backsplash from the washer on top of the dryer.



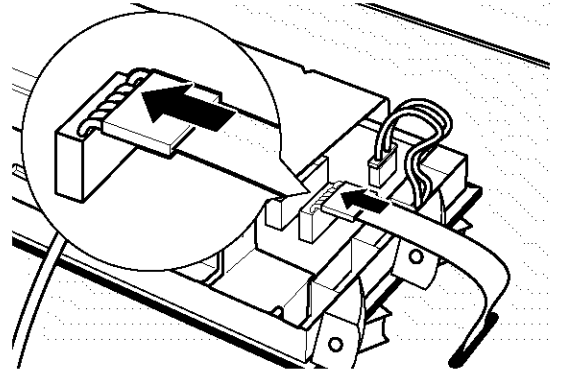
9 ATTACH DRYER CONTROL BOARD TO NEW BACKSPLASH

Attach the control board to the new backsplash by replacing the four screws removed from the control board earlier. The control board will now be on the opposite side of the dryer backsplash.

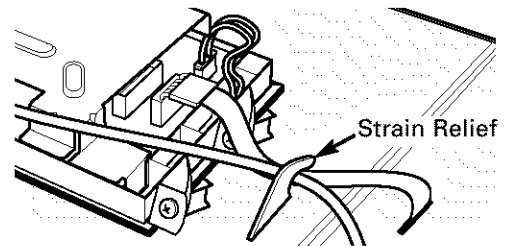


10 RECONNECT DRYER CONTROL BOARD

Connect the dryer control board to the new backsplash by sliding the ribbon connector on the new backsplash onto the metal pins on the control board and pushing in. Make sure the ribbon is not twisted before inserting the connector.

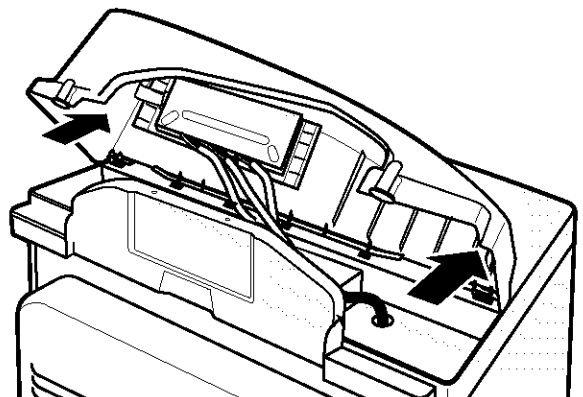


Place the ribbon and the wire from the rear cover under the strain relief on the new backsplash.



11 ATTACH DRYER BACKSPLASH

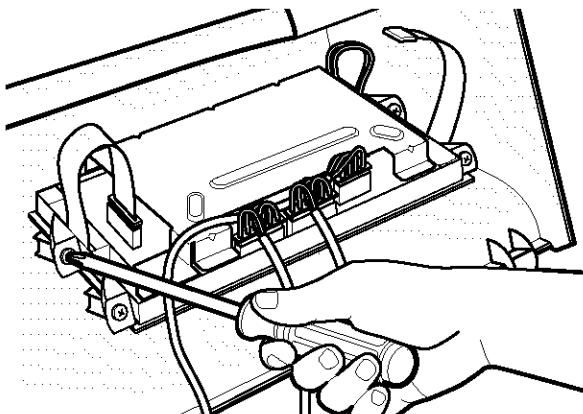
Insert the tabs on the bottom front of the backsplash into the slots on the dryer and rotate the backsplash into place. Secure the new backsplash to the dryer using the four screws removed earlier.



Installation Instructions

12 ATTACH WASHER CONTROL BOARD TO NEW BACKSPLASH

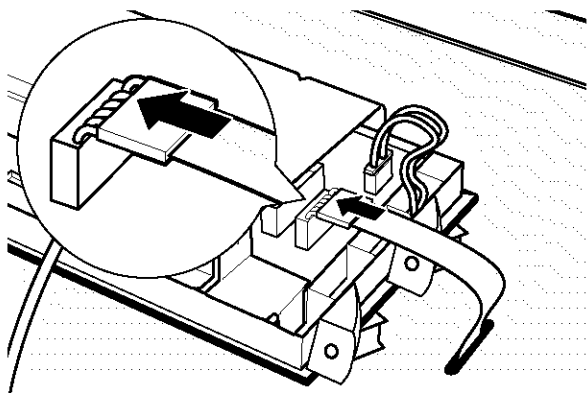
Replace the four screws removed from the control board earlier.



The control board will now be on the opposite side of the washer backsplash.

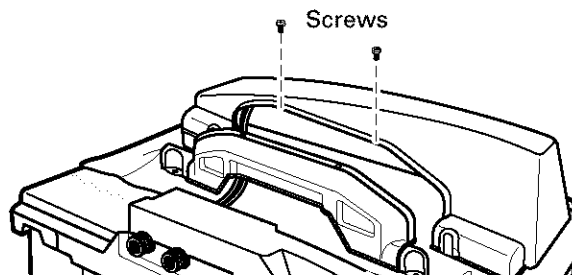
13 RECONNECT WASHER CONTROL BOARD

Connect the washer control board to the new backsplash by sliding the ribbon connector on the new backsplash onto the metal pins on the control board and pushing in. Make sure the ribbon is not twisted before inserting the connector.

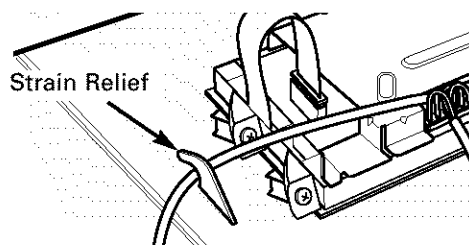


14 ATTACH WASHER BACKSPLASH

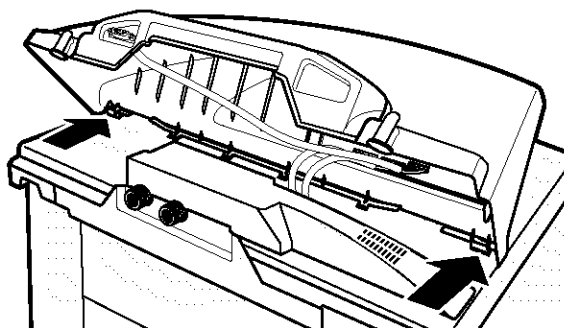
Using the two small screws removed earlier, screw the new washer backsplash onto the rear cover.



Place the gray wire from the serial port under the strain relief on the new backsplash.



Insert the tabs on the bottom front of the backsplash into the slots on the washer and rotate the backsplash into place. Press the rear of the backsplash down to make sure it fits properly.



Secure the new backsplash to the washer using the two long screws removed earlier.

15 RECONNECT POWER SUPPLY TO WASHER AND DRYER

- Plug the washer and dryer back in.
- Press the **POWER** buttons on both the washer and dryer to make sure both control boards are properly connected.

For a complete list of solutions to common dryer problems, use the Troubleshooting Tips feature located by pressing the HELP button while on the dryer Home Screen (see *Using the Troubleshooter*).

If your dryer will not operate, check the Problem Solver below:

Problem	Possible Cause	What To Do
<i>Dryer won't operate</i>	Control panel is asleep	<ul style="list-style-type: none"> This is normal. Press POWER, the touch screen or any button to activate the control panel.
	Dryer is unplugged	<ul style="list-style-type: none"> Make sure cord is plugged securely into a working outlet.
	Controls are not set properly	<ul style="list-style-type: none"> Make sure the cycle was set correctly, close the lid and press START.
	Fuse is blown/circuit breaker is tripped	<ul style="list-style-type: none"> Check house circuit breakers/fuses. Replace fuses or reset breaker. NOTE: Electric dryers use two fuses or breakers.
	Electronics need to be reset	<ul style="list-style-type: none"> Unplug dryer, wait 2 minutes, plug back in and press POWER.
	START was not pressed after a cycle was set	<ul style="list-style-type: none"> Press START.
	Door was opened during the dry cycle	<ul style="list-style-type: none"> Close the door and reset cycle, to the beginning if necessary. Press START.
	Dryer is too cold	<ul style="list-style-type: none"> If the dryer has been exposed to temperatures below freezing for an extended period of time, allow it to warm up before pressing POWER. Otherwise, the display will not come on.

Normal Operating Sounds

The following are normal sounds you may hear:

Sound	Description
<i>Thumping noise when drum rotates</i>	<ul style="list-style-type: none"> If the dryer has not been used for an extended period of time, you may hear a thumping noise from temporary flat spots on the drum support rollers. The noise will go away after use.

Dryer Warranty

www.GEAppliances.com

All warranty service provided by our Factory Service Centers or an authorized Customer Care® technician. To schedule service on-line, 24 hours a day, visit us at www.GEAppliances.com or call 800.GE.CARES (800.432.2737).

Staple your receipt here.
Proof of the original purchase date is needed to obtain service under the warranty.

For The Period Of:	We Will Replace:
One Year <i>From the date of the original purchase</i>	<i>Any part</i> of the dryer which fails due to a defect in materials or workmanship. During this full one-year warranty , GE will also provide, free of charge , all labor and related service costs to replace the defective part.
Second Year <i>From the date of the original purchase</i>	<i>Any part</i> of the dryer which fails due to a defect in materials or workmanship. During this additional one-year limited warranty , you will be responsible for any labor or related service costs.
Third through Fifth Year <i>From the date of the original purchase</i>	<i>The extra-large or super-capacity dryer drum and main electronic control board</i> if any of these parts should fail due to a defect in materials or workmanship. During this additional three-year limited warranty , you will be responsible for any labor or related service costs.

What Is Not Covered:

- Service trips to your home to teach you how to use the product.
- Replacement of house fuses or resetting of circuit breakers.
- Improper installation, delivery or maintenance.
- Damage to the product caused by accident, fire, floods or acts of God.
- Failure of the product if it is abused, misused, or used for other than the intended purpose or used commercially.
- Incidental or consequential damage caused by possible defects with this appliance.
- Replacement of the light bulb after its expected useful life.
- Damage caused after delivery.

This warranty is extended to the original purchaser and any succeeding owner for products purchased for home use within the USA. In Alaska, the warranty excludes the cost of shipping or service calls to your home. Proof of the original purchase date is needed to obtain service under the warranty.

Some states do not allow the exclusion or limitation of incidental or consequential damages. This warranty gives you specific legal rights, and you may also have other rights which vary from state to state. To know what your legal rights are, consult your local or state consumer affairs office or your state's Attorney General.

Warrantor: General Electric Company, Louisville, KY 40225

GE Appliances Web Site

www.GEAppliances.com

Have a question or need assistance with your appliance? Try the GE Appliances Web site 24 hours a day, any day of the year! For greater convenience and faster service, you can now download Owner's Manuals, order parts, catalogs, or even schedule service on-line. You can also "Ask Our Team of Experts™" your questions, and so much more...

Schedule Service

www.GEAppliances.com

Expert GE repair service is only one step away from your door. Get on-line and schedule your service at your convenience 24 hours any day of the year! Or call 800.GE.CARES (800.432.2737) during normal business hours.

Real Life Design Studio

www.GEAppliances.com

GE supports the Universal Design concept—products, services, and environments that can be used by people of all ages, sizes, and capabilities. We recognize the need to design for a wide range of physical and mental abilities and impairments. For details of GE's Universal Design applications, including kitchen design ideas for people with disabilities, check out our Web site today. For the hearing impaired, please call 800.TDD.GEAC (800.833.4322).

Extended Warranties

www.GEAppliances.com

Purchase a GE extended warranty and learn about special discounts that are available while your warranty is still in effect. You can purchase it on-line anytime or call 800.626.2224 during normal business hours. GE Consumer Home Services will still be there after your warranty expires.

Parts and Accessories

www.GEAppliances.com

Individuals qualified to service their own appliances can have parts or accessories sent directly to their homes (VISA, MasterCard, and Discover cards are accepted). Order on-line today, 24 hours every day, or by phone at 800.626.2002 during normal business hours.

Instructions contained in this manual cover procedures to be performed by any user. Other servicing generally should be referred to qualified service personnel. Caution must be exercised, since improper servicing may cause unsafe operation.

Contact Us

www.GEAppliances.com

If you are not satisfied with the service you receive from GE, contact us on our Web site with all the details, including your phone number, or write to: General Manager, Customer Relations
GE Appliances, Appliance Park
Louisville, KY 40225

Register Your Appliance

www.GEAppliances.com

Register your new appliance on-line—at your convenience! Timely product registration will allow for enhanced communication and prompt service under the terms of your warranty, should the need arise. You may also mail in the preprinted registration card included in the packing material.