

Operator's Manual

CRAFTSMAN®

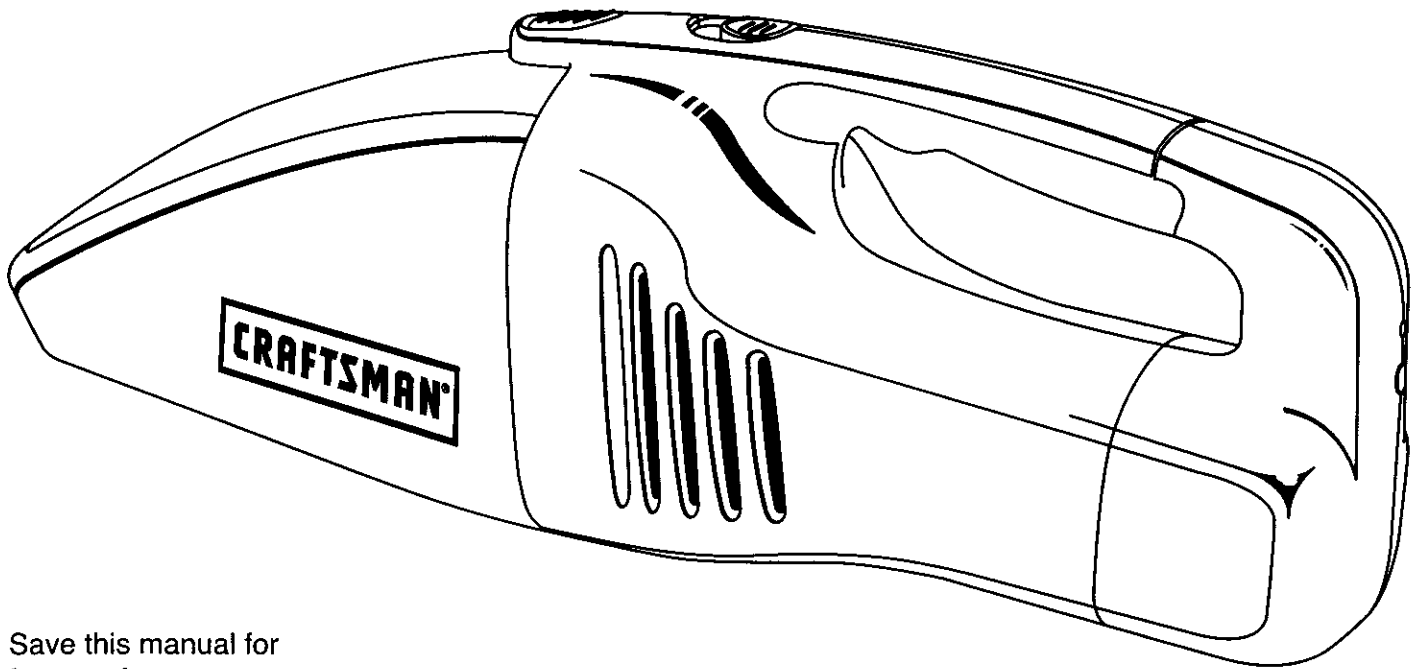
6 VOLT CORDLESS HAND VAC

Model No.

315.177520

Important Information:

- Charge batteries before first use
- Use only charger provided
- Always use hand vac with filter installed



Save this manual for
future reference

⚠ CAUTION: Read and follow all
Safety Rules and Operating Instructions
before first use of this product.

Customer Help Line: 1-800-932-3188

Sears, Roebuck and Co., 3333 Beverly Rd., Hoffman Estates, IL 60179 USA
Visit the Craftsman web page: www.sears.com/craftsman

- Safety
- Features
- Operation
- Maintenance
- Parts List



TABLE OF CONTENTS

■ Warranty	2
■ Introduction	2
■ General Safety Rules	3
■ Specific Safety Rules	3-5
■ Symbols	6
■ Features	7
■ Operation	8-9
■ Maintenance	9-10
■ Exploded View and Repair Parts List.....	11
■ Customer Service Information	12

WARRANTY

FULL ONE YEAR WARRANTY ON CRAFTSMAN CORDLESS HAND VAC

If this **CRAFTSMAN** Cordless Hand Vac fails to give complete satisfaction within one year from the date of purchase, **RETURN IT TO THE NEAREST SEARS STORE OR SEARS SERVICE CENTER IN THE UNITED STATES**, and Sears will replace it, free of charge.

If this **CRAFTSMAN** Cordless Hand Vac is used for commercial or rental purposes, this warranty applies for only 90 days from the date of purchase.

This warranty gives you specific legal rights, and you may also have other rights which vary from state to state.

Sears, Roebuck and Co., Dept. 817 WA, Hoffman Estates, IL 60179

INTRODUCTION

Your cordless hand vac has many features for making the use of this product more pleasant and enjoyable. Safety, performance, and dependability have been given top priority in the design of this product making it easy to maintain and operate.

WARNING: Do not attempt to use this product until you thoroughly read and completely understand the operator's manual. Pay close attention to the safety rules, including Dangers, Warnings, and Cautions. If you use this product properly and only as intended, you will enjoy years of safe, reliable service.

! Look for this symbol to point out important safety precautions. It means attention!!! Your safety is involved.

! **WARNING:**



The operation of any tool can result in foreign objects being thrown into your eyes, which can result in severe eye damage. Before beginning operation, always wear safety goggles or safety glasses with side shields and a full face shield when needed. We recommend Wide Vision Safety Mask for use over eyeglasses or standard safety glasses with side shields. Always wear eye protection which is marked to comply with ANSI Z87.1.

GENERAL SAFETY RULES

⚠ WARNING: Read and understand all instructions. Failure to follow all instructions listed below, may result in electric shock, fire and/or serious personal injury.

SAVE THESE INSTRUCTIONS

WORK AREA

- **Keep your work area clean and well lit.** Cluttered benches and dark areas invite accidents.
- **Do not operate power tools in explosive atmospheres, such as in the presence of flammable liquids or gases.** Power tools may create sparks which may ignite the dust or fumes.

ELECTRICAL SAFETY

- **Don't expose power tools to rain.** Water entering a power tool will increase the risk of electric shock or malfunction.

PERSONAL SAFETY

- **Stay alert, watch what you are doing and use common sense when operating a power tool. Do not use tool while tired or under the influence of drugs, alcohol, or medication.** A moment of inattention while operating power tools may result in serious personal injury.
- **Dress properly. Do not wear loose clothing or jewelry. Contain long hair. Keep your hair, clothing, and gloves away from moving parts and exhaust.** Loose clothes, jewelry, or long hair can be caught in moving parts.
- **Do not overreach. Keep proper footing and balance at all times.** Proper footing and balance enables better control of the tool in unexpected situations. Do not use on a ladder or unstable support.
- **Use safety equipment. Always wear eye protection.** Dust mask must be used for appropriate conditions.

TOOL USE AND CARE

- **Do not use tool if switch does not turn it on or off.** Any tool that cannot be controlled with the switch is dangerous and must be repaired.
- **Store idle tools out of the reach of children and other untrained persons.** Tools are dangerous in the hands of untrained users.
- **Maintain tools with care. Keep cutting tools sharp and clean.** Properly maintained tools with sharp cutting edges are less likely to bind and are easier to control.
- **Check for misalignment or binding of moving parts, breakage of parts, and any other condition that may affect the tool's operation. If damaged, have the tool serviced before using.** Many accidents are caused by poorly maintained tools.
- **Use only accessories that are recommended by the manufacturer for your model.** Accessories that may be suitable for one tool, may become hazardous when used on another tool.

SERVICE

- **Tool service must be performed only by qualified repair personnel.** Service or maintenance performed by unqualified personnel could result in a risk of injury.
- **When servicing a tool, use only identical replacement parts. Follow instructions in the Maintenance section of this manual.** Use of unauthorized parts or failure to follow Maintenance Instructions may create a risk of electric shock or injury.

SPECIFIC SAFETY RULES

Hold tool by insulated gripping surfaces when performing an operation where the tool may contact hidden wiring or its cord. Contact with a "live" wire will make exposed metal parts of the tool "live" and shock the operator.

ADDITIONAL RULES FOR SAFE OPERATION

- **Do not** allow children to operate Hand Vac or play with Hand Vac as a toy. Close attention is necessary when used near children.
- This Hand Vac is intended for household use **ONLY**.
- Use this Hand Vac **ONLY** for its intended use as described in this manual. Use only the attachments recommended in this manual.
- If Hand Vac is not working properly, has been dropped, damaged, left outdoors, or dropped into water, return to your nearest Sears Service Center.
- **Do not** abuse cord. Never carry charger or base by the cord or yank to disconnect from electrical outlet. Grasp charger, not the cord, and pull to unplug. Do not allow cord to hang over edge of table or counter or to touch hot surfaces.

SPECIFIC SAFETY RULES


- Do not handle charger or Hand Vac with wet hands.
- Hand Vac is for dry pick up only.
- Do not put any objects in ventilation openings. Do not use with any opening blocked: keep openings free of dust, lint, hair, and anything that may reduce air flow.
- NEVER vacuum materials such as hot coals, cigarette butts, matches, etc.
- Do not use without filter in place.
- Turn off all controls before unplugging from or plugging into an electrical outlet for charging.
- Use extra care when using on stairs.
- Do not use to pick up hard objects such as nails, screws, coins, etc. Damage or injury could result.
- Hand Vac does not have to be plugged into an electrical outlet, therefore it is always in operating condition. Be aware of possible hazards when using your Hand Vac or when changing accessories.
- USE ONLY THE CHARGER PROVIDED WITH YOUR HAND VAC. Do not substitute any other charger. Use of another charger could cause batteries to explode causing possible serious injury.
- DO NOT PLACE HAND VAC OR BATTERIES NEAR FIRE OR HEAT. They may explode.
- Your Hand vac should be charged in a location where the temperature is more than 50°F but less than 100°F.
- Under extreme usage or temperature conditions, battery leakage may occur. If liquid comes in contact with skin, wash at least 10 minutes then seek immediate medical attention.
- Know your power tool. Read operator's manual carefully. Learn its applications and limitations, as well as the specific potential hazards related to this tool. Following this rule will reduce the risk of electric shock, fire, or serious injury.
- Always wear safety glasses. Everyday eyeglasses have only impact-resistant lenses; they are NOT safety glasses. Following this rule will reduce the risk of serious personal injury.
- Protect your lungs. Wear a face or dust mask if the operation is dusty. Following this rule will reduce the risk of serious personal injury.
- WARNING: ELECTRIC SHOCK COULD OCCUR IF CHARGED OUTDOORS OR ON WET SURFACES.
- Check damaged parts. Before further use of the tool, a guard or other part that is damaged should be carefully checked to determine that it will operate properly and perform its intended function. Check for alignment of moving parts, binding

of moving parts, breakage of parts, mounting, and any other conditions that may affect its operation. A guard or other part that is damaged should be properly repaired or replaced by an authorized service center. Following this rule will reduce the risk of shock, fire, or serious injury.

- Make sure your extension cord is in good condition. When using an extension cord, be sure to use one heavy enough to carry the current your product will draw. A wire gage size (A.W.G.) of at least 16 is recommended for an extension cord 100 feet or less in length. A cord exceeding 100 feet is not recommended. If in doubt, use the next heavier gage. The smaller the gage number, the heavier the cord. An undersized cord will cause a drop in line voltage resulting in loss of power and overheating.
- Drugs, alcohol, medication. Do not operate tool while under the influence of drugs, alcohol, or any medication. Following this rule will reduce the risk of electric shock, fire, or serious personal injury.
- Save these instructions. Refer to them frequently and use them to instruct others who may use this tool. If you loan someone this tool, loan them these instructions also.

SERVICE

- Tool service must be performed only by qualified repair personnel. Service or maintenance performed by unqualified personnel could result in a risk of injury.
- When servicing a tool, use only identical replacement parts. Follow instructions in the Maintenance section of this manual. Use of unauthorized parts or failure to follow Maintenance Instructions may create a risk of shock or injury.

 **WARNING:** Some dust created by power sanding, sawing, grinding, drilling, and other construction activities contains chemicals known to cause cancer, birth defects or other reproductive harm. Some examples of these chemicals are:

- lead from lead-based paints,
- crystalline silica from bricks and cement and other masonry products, and
- arsenic and chromium from chemically-treated lumber.

Your risk from these exposures varies, depending on how often you do this type of work. To reduce your exposure to these chemicals: work in a well ventilated area, and work with approved safety equipment, such as those dust masks that are specially designed to filter out microscopic particles.

SAVE THESE INSTRUCTIONS

IMPORTANT SAFETY INSTRUCTIONS FOR CHARGER



- A damaged battery is subject to explosion. To avoid serious personal injury, properly dispose of a damaged battery.
 - **Save these instructions. This manual contains important safety and operating instructions for charger item no. 9 11050 (981496-001).** Following this rule will reduce the risk of electric shock, fire, or serious personal injury.
 - **Before using battery charger, read all instructions and cautionary markings in this manual, on battery charger, and product using battery charger.** Following this rule will reduce the risk of electric shock, fire, or serious personal injury.
 - **To reduce risk of injury, charge only nickel-cadmium and nickel metal hydride type rechargeable batteries. Other types of batteries may burst causing personal injury and damage.** Following this rule will reduce the risk of electric shock, fire, or serious personal injury.
 - **Do not expose charger to rain or snow.** Following this rule will reduce the risk of electric shock, fire, or serious personal injury.
 - **Use of an attachment not recommended or sold by the battery charger manufacturer may result in a risk of fire, electric shock, or injury to persons.** Following this rule will reduce the risk of electric shock, fire, or serious personal injury.
 - **To reduce risk of damage to charger body and cord, pull by charger plug rather than cord when disconnecting charger.** Following this rule will reduce the risk of serious personal injury.
 - **Make sure cord is located so that it will not be stepped on, tripped over, or otherwise subjected to damage or stress.** Following this rule will reduce the risk of serious personal injury.
 - **An extension cord should not be used unless absolutely necessary.** Use of improper extension cord could result in a risk of fire and electric shock. If extension cord must be used, make sure:
 - a. That pins on plug of extension cord are the same number, size and shape as those of plug on charger.
 - b. That extension cord is properly wired and in good electrical condition; and
 - c. That wire size is large enough for AC ampere rating of charger as specified below:

Cord Length (Feet)	25'	50'	100'
Cord Size (AWG)	16	16	16
- Note:** AWG = American Wire Gage
- **Do not operate charger with a damaged cord or plug. If damaged, have replaced immediately by a qualified serviceman.** Following this rule will reduce the risk of electric shock, fire, or serious personal injury.
 - **Do not operate charger if it has received a sharp blow, been dropped, or otherwise damaged in any way; take it to a qualified serviceman.** Following this rule will reduce the risk of electric shock, fire, or serious personal injury.
 - **Do not disassemble charger; take it to a qualified serviceman when service or repair is required. Incorrect reassembly may result in a risk of electric shock or fire.** Following this rule will reduce the risk of electric shock, fire, or serious personal injury.
 - **To reduce the risk of electric shock, unplug charger from outlet before attempting any maintenance or cleaning. Turning off controls will not reduce this risk.** Following this rule will reduce the risk of electric shock, fire, or serious personal injury.
 - **Do not use charger outdoors.** Following this rule will reduce the risk of electric shock, fire, or serious personal injury.
 - **Disconnect charger from power supply when not in use.** Following this rule will reduce the risk of electric shock, fire, or serious personal injury.
 - **DANGER: RISK OF ELECTRIC SHOCK. DO NOT TOUCH UNINSULATED PORTION OF OUTPUT CONNECTOR OR UNINSULATED BATTERY TERMINAL.**
 - **Save these instructions. Refer to them frequently and use them to instruct others who may use this tool. If you loan someone this tool, loan them these instructions also.** Following this rule will reduce the risk of electric shock, fire, or serious personal injury.

SAVE THESE INSTRUCTIONS

SYMBOLS

Important: Some of the following symbols may be used on your tool. Please study them and learn their meaning. Proper interpretation of these symbols will allow you to operate the tool better and safer.

SYMBOL	NAME	DESIGNATION/EXPLANATION
V	Volts	Voltage
A	Amperes	Current
Hz	Hertz	Frequency (cycles per second)
W	Watt	Power
min	Minutes	Time
~	Alternating Current	Type or a characteristic of current
≡	Direct Current	Type or a characteristic of current
n_0	No Load Speed	Rotational speed, at no load
/min	Per Minute	Revolutions, reciprocations, strokes, surface speed, orbits, etc. per minute
	Safety Alert	Precautions that involve your safety
	Wet Conditions Alert	Do not expose to rain or use in damp

The purpose of safety symbols is to attract your attention to possible dangers. The safety symbols, and the explanations with them, deserve your careful attention and understanding. The safety warnings do not by themselves eliminate any danger. The instructions or warnings they give are not substitutes for proper accident prevention measures.

SYMBOL MEANING



DANGER: Indicates an imminently hazardous situation, which, if not avoided, will result in death or serious injury.



WARNING: Indicates a potentially hazardous situation, which, if not avoided, could result in serious injury.



CAUTION: Indicates a potentially hazardous situation, which, if not avoided, may result in minor or moderate injury. It may also be used to alert against unsafe practices that may cause property damage.

Important: Advises you of important information or instructions vital to the operation or maintenance of the equipment.

Note: Advises you of additional information concerning the operation or maintenance of the equipment.

FEATURES

KNOW YOUR HAND VAC

See Figure 1.

Before attempting to use your hand vac, familiarize yourself with all operating features and safety requirements.

⚠ WARNING: Carefully read through this entire operator's manual before using your new hand vac. Pay close attention to the Rules For Safe Operation, Warnings and Cautions. If you use your hand vac properly and only for what it is intended, you will enjoy years of safe, reliable service.

Your hand vac has been shipped completely assembled. Inspect it carefully to make sure no breakage or damage has occurred during shipping. If any parts are damaged or missing, contact your nearest Sears Retail Store to obtain replacement parts before attempting to operate hand vac. Packaging includes hand vac unit with batteries concealed in the unit, dust bowl, charger, and this operator's manual.

⚠ WARNING: If any parts are missing, do not operate your hand vac until the missing parts are replaced. Failure to do so could result in possible serious personal injury.

Note: Accessories can be purchased at your nearest Sears Retail Store.

SWITCH

Your hand vac is equipped with an **ON/OFF** switch located on the top of your hand vac.

⚠ WARNING: Do not allow familiarity with your hand vac to make you careless. Remember that a careless fraction of a second is sufficient to inflict severe injury.

PRODUCT SPECIFICATIONS:

Motor	6.0 Volt DC
Switch	On/Off

CHARGER

Charger Rating	Item No. 9 11050 (981496-001) 120V, 60Hz, AC only
Charger Voltage	6 Volt
Charger Rate	3-6 Hours

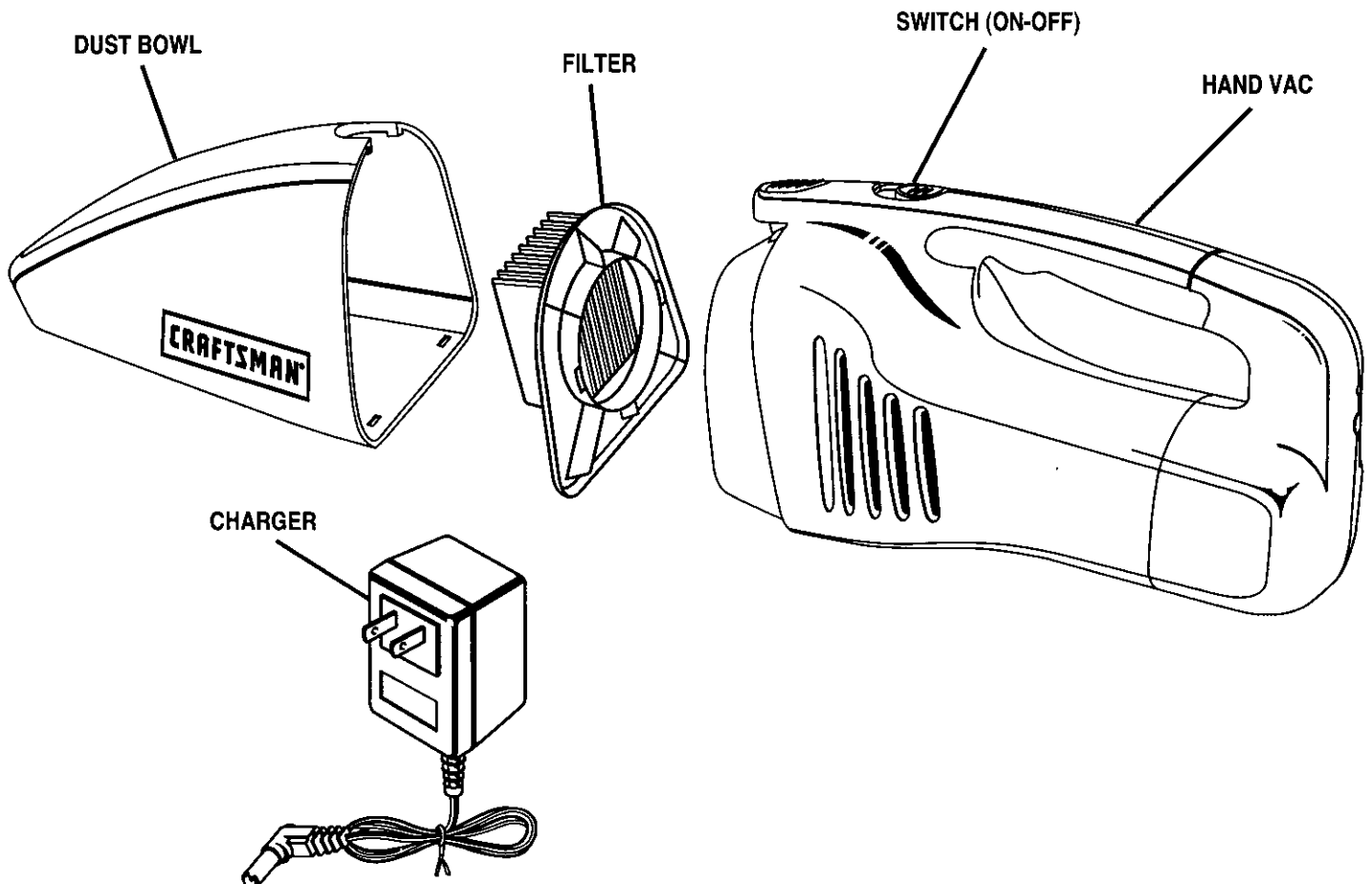


Fig. 1

OPERATION

⚠ WARNING: Always wear safety goggles or safety glasses with side shields when operating tools. Failure to do so could result in objects being thrown into your eyes, resulting in possible serious injury.

CHARGING BATTERIES

The batteries for this tool are concealed in the hand vac and have been shipped in a low charge condition to prevent possible problems. Therefore, you should charge them overnight prior to use.

Note: Batteries will not reach full charge the first time they are charged. Allow several cycles (vacuuming followed by recharging) for them to become fully charged.

TO CHARGE

- Charge batteries only with the charger provided.
- **Make sure power supply is normal house voltage, 120 volts, 60 Hz, AC only.**
- Connect charger to hand vac by inserting charger plug into input jack. As shown in Figure 2, input jack is located on the back side of the tool. *See Figure 2.*
- Connect charger to power supply.
- The charge indicator light (LED), located on the back side of the tool, will light up and glow when the charger is properly connected to the power supply. This light indicates the charger is operating properly. It will remain on until the charger is disconnected from the power supply. The light only glows while your tool is charging, not during use.
- After normal usage, 3 to 6 hours is required to recharge batteries. **Note:** If batteries are completely discharged, 6 hours or longer of charging time is required to fully recharge batteries.
- The battery will become slightly warm to the touch while charging. This is normal and does not indicate a problem.
- **Do not** operate the tool while it is connected to the charger. The vacuuming ability will not increase.
- **Do not** place charger in an area of extreme heat or cold. It will work best at normal room temperature.
- When batteries become fully charged, unplug charger from power supply and disconnect it from tool.

IMPORTANT INFORMATION FOR RECHARGING HOT BATTERIES

When using your hand vac continuously, the batteries in your tool will become hot. You should let a hot battery cool down for approximately 30 minutes before attempting to recharge.

Note: This situation only occurs when continuous use of your hand vac causes the batteries to become hot. It does not occur under normal circumstances. Refer to "**CHARGING BATTERIES**" for normal recharging of batteries. If the charger does not charge your batteries under normal circumstances, return the charger to your nearest Sears Repair Center for electrical check.

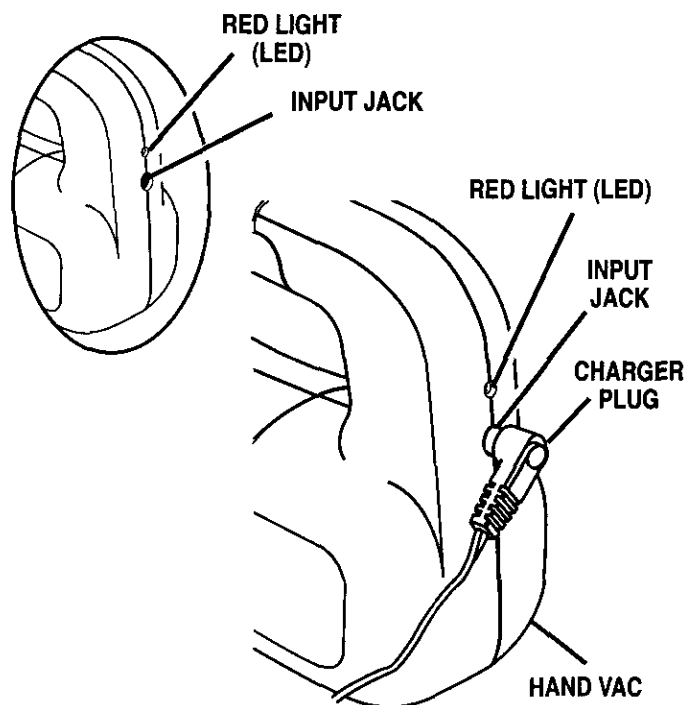


Fig. 2

SWITCH

See Figure 3.

Your hand vac is equipped with an **ON/OFF** switch located on top of hand vac. As shown in the arrows in Figure 3, to turn your hand vac **ON**, push switch forward. To turn it **OFF**, pull switch back.

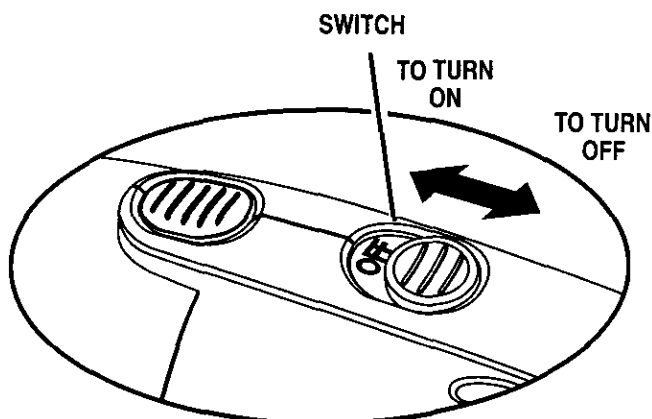


Fig. 3

OPERATION

CLEANING YOUR HAND VAC

See Figures 4, 5, and 6.

WARNING: Never use your hand vac without the filter properly in place.

The dust bowl should be checked, emptied and cleaned periodically to obtain maximum dust collection.

TO REMOVE DUST BOWL

- Depress dust bowl release button located on top of hand vac then pull bowl down and out as shown in Figure 4.

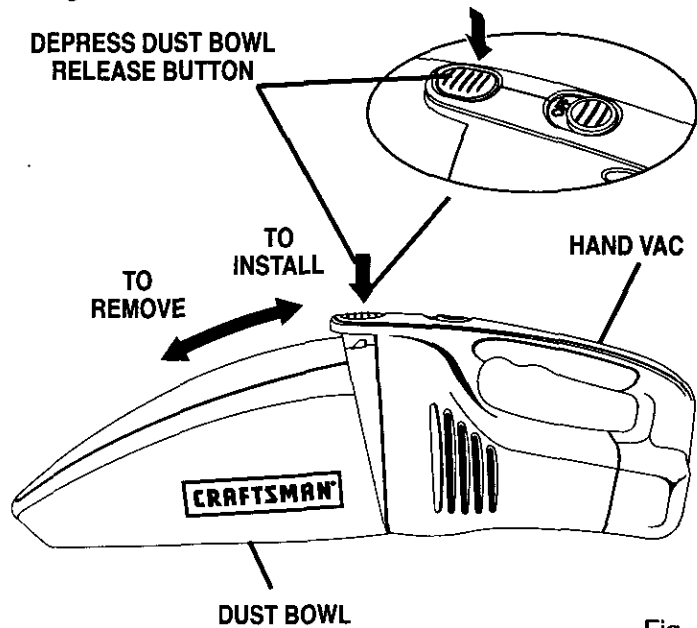


Fig. 4

- Shake or lightly brush any dust or dirt off filter.
- Empty dust bowl and wash if necessary. Make sure dust bowl is completely dry before reattaching to hand vac.

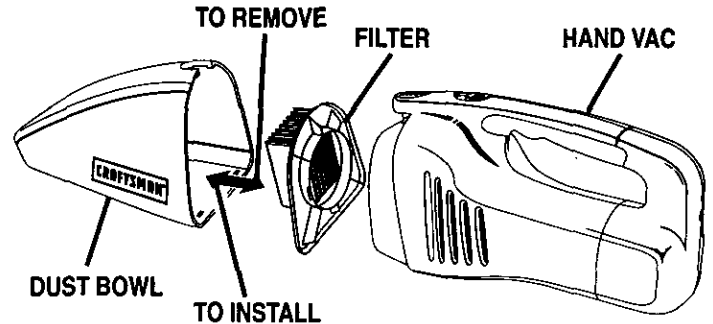


Fig. 5

TO REPLACE FILTER

- Place the filter in the dust bowl in the direction shown in Figure 5.

TO REATTACH DUST BOWL

See Figure 6.

- Position the two sections as shown in Figure 6. Align slots on bottom of dust bowl with tabs on bottom of motor housing then snap the two sections together.

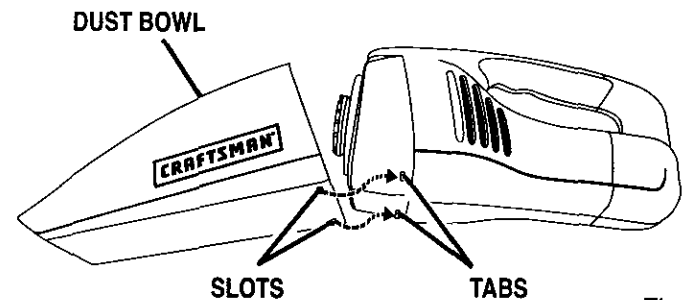


Fig. 6

TO REMOVE AND CLEAN FILTER

- Remove the filter by simply pulling it out of the dust bowl. See Figure 5.

MAINTENANCE

WARNING: When servicing, use only identical Craftsman replacement parts. Use of any other part may create a hazard or cause product damage.

Avoid using solvents when cleaning plastic parts. Most plastics are susceptible to damage from various types of commercial solvents and may be damaged by their use. Use clean cloths to remove dirt, dust, oil, grease, etc.

WARNING: Do not at any time let brake fluids, gasoline, petroleum-based products, penetrating oils, etc. come in contact with plastic parts. They contain chemicals that can damage, weaken or destroy plastic.

Do not abuse power tools. Abusive practices can damage tool as well as workpiece.

Only the parts shown on parts list, page 11, are intended to be repaired or replaced by the customer. All other parts should be replaced at a Sears Service Center.

WARNING: Do not attempt to modify this tool or create accessories not recommended for use with this tool. Any such alteration or modification is misuse and could result in a hazardous condition leading to possible serious personal injury.

MAINTENANCE

BATTERIES

The batteries for your hand vac are nickel-cadmium rechargeable batteries. Length of service from each charging will depend on the type of work you are doing.

The batteries in this tool have been designed to provide maximum trouble free life. However, like all batteries, they will eventually wear out. **Do not** disassemble your hand vac and attempt to replace the batteries. Handling of these batteries, especially when wearing rings and jewelry, could result in a serious burn.

To obtain the longest possible battery life, we suggest the following:

- Store and charge your batteries in a cool area. Temperatures above or below normal room temperature will shorten battery life.
- Never store batteries in a discharged condition. Recharge them immediately after they are discharged.
- All batteries gradually lose their charge. The higher the temperature the quicker they lose their charge. If you store your tool for long periods of time without using it, recharge the batteries every month or two. This practice will prolong battery life.



To preserve natural resources, please recycle or dispose of batteries properly.

This product contains nickel-cadmium batteries. Local, state or federal laws may prohibit disposal of nickel-cadmium batteries in ordinary trash.

Consult your local waste authority for information regarding available recycling and/or disposal options.

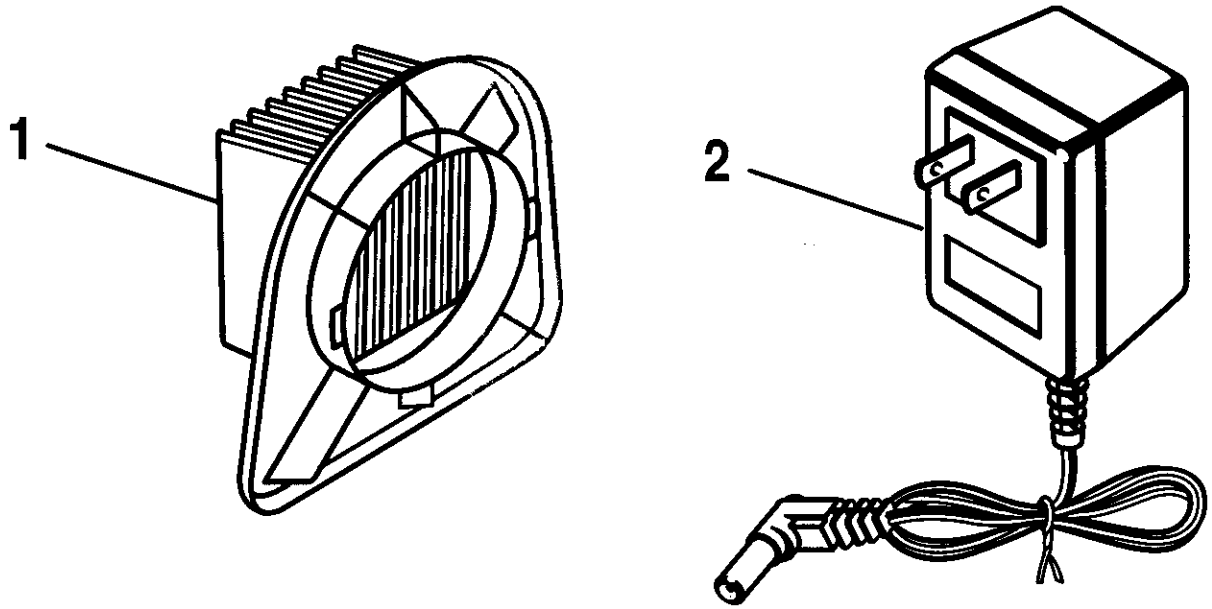
BATTERY PACK REMOVAL AND PREPARATION FOR RECYCLING

- ⚠ WARNING:** Upon removal, cover the battery pack's terminals with heavy duty adhesive tape. Do not attempt to destroy or disassemble battery pack or remove any of its components. Nickel-cadmium batteries must be recycled or disposed of properly. Also, never touch both terminals with metal objects and/or body parts as short circuit may result. Keep away from children. Failure to comply with these warnings could result in fire and/or serious injury.

**CRAFTSMAN 6 VOLT CORDLESS HAND VAC
MODEL NO. 315.177520**

The model number will be found on a plate attached to the motor housing. Always mention the model number in all correspondence regarding your **CORDLESS HAND VAC** or when ordering repair parts.

SEE BACK PAGE FOR PARTS ORDERING INSTRUCTIONS



PARTS LIST

Key No.	Part Number	Description	Qty.
1	*Item No. 9 11408	Filter (3004015)	2
2	*Item No. 9 11050	Charger (981496-001)	1
	983000-190	Operator's Manual	

* Can Be Purchased Thru PSOS (Retail Special Order System)

Get it fixed, at your home or ours!

Your Home

For repair – **in your home** – of **all** major brand appliances, lawn and garden equipment, or heating and cooling systems, **no matter who made it, no matter who sold it!**

For the replacement parts, accessories and owner's manuals that you need to do-it-yourself.

For Sears professional installation of home appliances and items like garage door openers and water heaters.

1-800-4-MY-HOME® (1-800-469-4663)

Call anytime, day or night (U.S.A. and Canada)

www.sears.com www.sears.ca

Our Home

For repair of carry-in items like vacuums, lawn equipment, and electronics, call or go on-line for the location of your nearest **Sears Parts & Repair Center.**

1-800-488-1222

Call anytime, day or night (U.S.A. only)

www.sears.com

To purchase a protection agreement (U.S.A.) or maintenance agreement (Canada) on a product serviced by Sears:

1-800-827-6655 (U.S.A.)

1-800-361-6665 (Canada)

Para pedir servicio de reparación a domicilio, y para ordenar piezas:

1-888-SU-HOGARSM

(1-888-784-6427)

Au Canada pour service en français:

1-800-LE-FOYER^{MC}

(1-800-533-6937)

www.sears.ca

SEARS