

SEARS



COIN-OPERATED COMMERCIAL GAS DRYER

OWNER'S MANUAL and INSTALLATION INSTRUCTIONS

SEARS, ROEBUCK AND CO.
Hoffman Estates, IL 60179

www.sears.com

TABLE OF CONTENTS

Dryer Safety	2
Installation Instructions	4
Electrical requirements	4
Gas supply requirements.....	4
Exhaust requirements.....	5
Recessed area/closet installation instructions.....	7
Mobile home exhaust requirements.....	7
Installing the dryer	8
Operating the dryer.....	12
Troubleshooting.....	13
Service and Assistance.....	16

For Sears warranty information or to contact a Sears Service Center, call 1-800-4-MY HOMESM (1-800-469-4663).

IMPORTANT: Read and follow all safety, installation, and operating instructions before first use of this product.

If you need SERVICE or PARTS for your Kenmore coin-operated dryer:

When requesting service, be ready to give the model number, serial number (located on a tag in the door well behind the door) and date of purchase. Record below.

Model No. _____

Serial No. _____

Date of Purchase _____

Record Coin Box Key Number _____

Key number is on key and/or coin box.

DRYER SAFETY

WARNING: For your safety the information in this manual must be followed to minimize the risk of fire or explosion or to prevent property damage, personal injury or death.

- Do not store or use gasoline or other flammable vapors and liquids in the vicinity of this or any other appliance.
- **WHAT TO DO IF YOU SMELL GAS**
 - Do not try to light any appliance.
 - Do not touch any electrical switch; do not use any phone in your building.
 - Clear the room, building or area of all occupants.
 - Immediately call your gas supplier from a neighbor's phone. Follow the gas supplier's instructions.
 - If you cannot reach your gas supplier, call the fire department.
- Installation and service must be performed by a qualified installer, service agency or the gas supplier.

- Facilities where gas dryers are installed should post the following boxed statement where clearly visible to customers. In addition, instructions to be followed if a customer smells gas should be obtained from the local gas supplier and posted where clearly visible to customers.

FOR YOUR SAFETY

Do not store or use gasoline or other flammable vapors and liquids in the vicinity of this or any other appliance.

IMPORTANT: The gas installation must conform with local codes, or in the absence of local codes, with the National Fuel Gas Code, ANSI Z223.1.

The dryer must be electrically grounded in accordance with local codes, or in the absence of local codes, with the National Electrical Code, ANSI/NFPA 70.

YOUR SAFETY AND THE SAFETY OF OTHERS IS VERY IMPORTANT.

We have provided many important safety messages in this manual and on your appliance. Always read and obey all safety messages.



This is the safety alert symbol.

This symbol alerts you to hazards that can kill or hurt you and others.

All safety messages will be preceded by the safety alert symbol and the word "DANGER" or "WARNING". These words mean:

⚠ DANGER

You will be killed or seriously injured if you don't follow instructions.

⚠ WARNING

You can be killed or seriously injured if you don't follow instructions.

All safety messages will identify the hazard, tell you how to reduce the chance of injury, and tell you what can happen if the instructions are not followed.

IMPORTANT SAFETY INSTRUCTIONS

WARNING: To reduce the risk of fire, electric shock, or injury to persons when using the dryer, follow basic precautions, including the following:

- Read all instructions before using the dryer.
- Do not place items exposed to cooking oils in your dryer. Items contaminated with cooking oils may contribute to a chemical reaction that could cause a load to catch fire.
- Do not dry articles that have been previously cleaned in, washed in, soaked in, or spotted with gasoline, dry-cleaning solvents, other flammable, or explosive substances as they give off vapors that could ignite or explode.
- Do not allow children to play on or in the dryer. Close supervision of children is necessary when the dryer is used near children.
- Before the dryer is removed from service or discarded, remove the door to the drying compartment.
- Do not reach into the dryer if the drum is moving.
- Do not install or store the dryer where it will be exposed to the weather.
- Do not tamper with controls.
- Do not repair or replace any part of the dryer or attempt any servicing unless specifically recommended in this Use and Care Guide or in published user-repair instructions that you understand and have the skills to carry out.
- Do not use fabric softeners or products to eliminate static unless recommended by the manufacturer of the fabric softener or product.
- Do not use heat to dry articles containing foam rubber or similarly textured rubber-like materials.
- Clean lint screen before or after each load.
- Keep area around the exhaust opening and adjacent surrounding areas free from the accumulation of lint, dust, and dirt.
- The interior of the dryer and exhaust vent should be cleaned periodically by qualified service personnel.
- See Installation Instructions for grounding requirements.

SAVE THESE INSTRUCTIONS

INSTALLATION INSTRUCTIONS

Read the "Dryer Safety" section of this Owner's Manual and completely read these Installation Instructions before beginning installation.

IMPORTANT: Observe all governing codes and ordinances.

- The dryer must not be installed where it can be exposed to water and/or weather.
- Check code requirements. Some codes limit or do not permit installation of clothes dryers in garages, closets, mobile homes, or sleeping quarters. Contact your local building inspector.

Tools needed for installation:

Adjustable wrench or Pliers
Open-end wrench
Pipe wrench
Duct tape
Phillips screwdriver
Flat-head screwdriver
Level
Pipe joint compound resistant to LP gas

Electrical requirements

⚠ WARNING

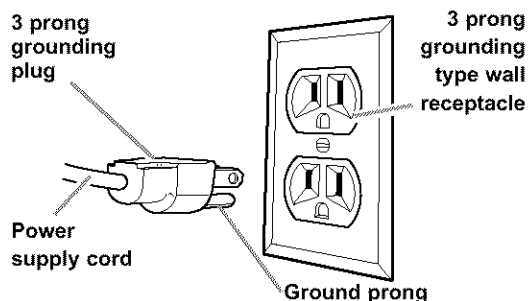


Electrical Shock Hazard

Plug into a grounded 3 prong outlet.
Do not remove ground prong.
Do not use an adapter.
Do not use an extension cord.
Failure to follow these instructions can result in death, fire, or electrical shock.

- A 120 volt, 60 Hz, AC only, 15 or 20 ampere fused electrical supply is required.
- Time-delay fuse or circuit breaker is recommended.
- It is recommended that a separate circuit serving only this appliance be provided.

NOTE: This dryer is equipped with a power supply cord 1.5 m (5 ft) in length. Be sure wall receptacle is within reach of dryer's final location.



GROUNDING INSTRUCTIONS

This appliance must be grounded. In the event of malfunction or breakdown, grounding will reduce the risk of electric shock by providing a path of least resistance for electric current. This appliance is equipped with a cord having an equipment-grounding conductor and a grounding plug. The power supply cord must be plugged into an appropriate outlet that is properly installed and grounded in accordance with all local codes and ordinances.

WARNING: Improper connection of the equipment-grounding conductor can result in a risk of electric shock. Check with a qualified electrician or service representative or personnel if you are in doubt as to whether the appliance is properly grounded. Do not modify the plug on the power supply cord; if it will not fit the outlet, have a proper outlet installed by a qualified technician.

SAVE THESE INSTRUCTIONS

Gas supply requirements

⚠ WARNING



Explosion Hazard

Use a new AGA approved gas supply line.
Install a shut-off valve.
Securely tighten all gas connections.
If connected to LP, have a qualified person make sure gas pressure does not exceed 13" (33 cm) water column.
Examples of a qualified person include licensed heating personnel, authorized gas company personnel, and authorized service personnel.
Failure to do so can result in death, explosion, or fire.

- Make certain that this dryer is equipped with the correct burner for the particular gas in the facility. This information is found on the rating plate in the door well. If this information does not agree with the type of gas available, contact your local Sears store or Sears Service Center.
- The design of this dryer has been certified by the American Gas Association for use at altitudes up to 10,000 feet above sea level at the B.T.U. rating indicated on the model/serial number plate. Burner input adjustments are not required when dryer is operated up to this level.
- When installed above 10,000 feet, a four percent (4%) reduction of the burner B.T.U. rating shown on the model/serial number plate is required for each 1,000 foot increase in elevation. For assistance when converting to other gas types and/or installing above 10,000 feet elevation contact your local service company.
- Connect exhaust vent to dryer before gas supply is connected. (see the "Exhaust requirements" section.)
- Provide a gas supply line of ½ in gas pipe to the machine location. For lengths over 20 ft, larger tubing should be used. If local codes permit, use flexible stainless steel tubing (Design Certified by the American Gas Association) to connect your dryer to the gas supply line.
- The gas supply line should be equipped with a shut-off valve. This valve should be located in the same room as the dryer and in a location that allows ease of opening and closing. Do not block access to shut-off valve.
- Pipe joint compounds that resist the action of L.P. gas must be used. Do not use Teflon tape.
- A ½-inch NPT plugged tapping, accessible for test gauge connection, must be installed immediately upstream of the gas supply connection to the dryer. The dryer must be disconnected from the gas supply piping system during any pressure testing of that system.


NOTES:

- Do not connect this dryer to any type of gas other than natural gas, without the appropriate conversion kit. Conversion of dryer, installation and service must be performed by a qualified installer, service agency, or the gas supplier.
- Installation of the gas supply lines, the fuel conversion kit, if required, and the connection of the gas dryer to the supply, must only be carried out by a fully qualified and licensed gas installer. Any change to the burner must also be made by a qualified installer.

Exhaust requirements

The dryer must be properly installed and vented to achieve maximum drying efficiency. Install the dryer in a well-ventilated room where the temperature is always above 45°F. Also make sure that the dryer is leveled. If the dryer is not properly installed and vented, it will not be covered under the warranty.

NOTE: Service calls caused by improper venting will be paid for by the customer, whether it was a paid installation or self-installed. For paid installation, call the company that installed the vent for adjustment.

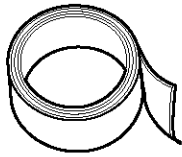
⚠ WARNING

Fire Hazard
<p>Use a heavy metal vent.</p> <p>Do not use a plastic vent.</p> <p>Do not use a metal foil vent.</p> <p>Failure to follow these instructions can result in death or fire.</p>

WARNING: To reduce the risk of fire, this dryer **MUST BE EXHAUSTED OUTDOORS.**

- Do not exhaust dryer into a chimney, a wall, a ceiling, or a concealed space of a building.
 - The diameter of the heavy metal vent must be 4-inch.
 - Do not use an exhaust hood with a magnetic latch.
- If using an existing exhaust system, remove lint. Make sure exhaust hood is not plugged with lint.
- Disconnect vent from the dryer and clean one section at a time until you reach the exhaust hood.
 - Use the hose attachment on your vacuum, or a pole with a feather duster or rag attached, to clean out lint.
 - Be sure the flapper on the outside end of vent moves freely.
 - When cleaning is complete, be sure to follow these Installation Instructions for final product check.

Clean exhaust vent periodically, depending on use, but at least every 2 years, or when installing your dryer in a new location.

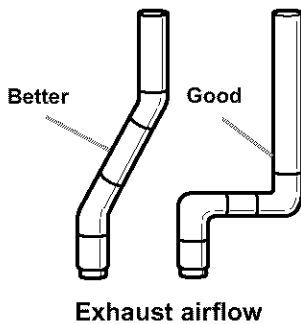
Use duct tape to seal all joints. Do not use screws to secure vent. Lint may catch on screws.



Use 4-inch diameter heavy metal or flexible metal vent. Do not kink or crush flexible metal vent. It must be fully extended to allow adequate exhaust air to flow. Check vent after installation.

The exhaust vent can be routed up, down, left, right, or straight out the back of the dryer. Space requirements are listed later in this section.

Use the straightest path possible when routing the exhaust vent. Use the fewest number of elbows and turns. Allow as much room as possible when using elbows or making turns. Bend vent gradually to avoid kinking. Remove excess flexible vent to avoid sagging and kinking that may result in reduced airflow.



Maximum length of the exhaust system depends upon the type of vent used, number of elbows, and the type of exhaust hood. The maximum length for both heavy and flexible metal vent is shown in the following chart.

See figure 1 for exhaust outlet location (at rear of the dryer) and dimensions. Minimum side and rear clearances appear on model and rating plate on back of dryer.

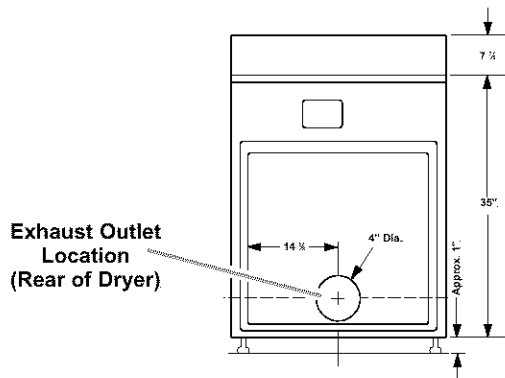


FIGURE 1

Determining vent length

The maximum length of the exhaust system depends upon:

- The type of vent (heavy or flexible metal).
- The number of elbows (90° turns) used.

To determine maximum vent length:

1. See the Exhaust Hood Type chart that matches your type hood for the maximum vent lengths you can use.

Do not use vent runs longer than specified in exhaust vent length chart.

Exhaust systems longer than specified will:

- Shorten the life of the dryer.
- Reduce performance, resulting in longer drying times and increased energy usage.

2. Determine the number of elbows you will need.
3. In the column listing the type of metal vent you are using (heavy or flexible), find the maximum length of metal vent on the same line as the number of elbows.

Number of 90° Turns	EXHAUST HOOD TYPE		
Maximum length of 4-inch diameter heavy metal vent.			
0	64 ft.	64 ft.	58 ft.
1	54 ft.	54 ft.	48 ft.
2	44 ft.	44 ft.	38 ft.
3	35 ft.	35 ft.	29 ft.
4	27 ft.	27 ft.	21 ft.
Maximum length of 4-inch diameter flexible metal vent.			
0	36 ft.	36 ft.	28 ft.
1	31 ft.	31 ft.	23 ft.
2	27 ft.	27 ft.	19 ft.
3	25 ft.	25 ft.	17 ft.
4	23 ft.	23 ft.	15 ft.

NOTE: Check periodically to ensure that the outside exhaust hood is not blocked.

Multiple dryer exhausting guide

Many multiple-family dwellings are furnished with provisions in the building for washing and drying laundry with automatic washers and dryers. The exhausting of the individual clothes dryers can be accomplished with a central exhaust vent system. The following is a list of factors for possible consideration in the design of a central vent system for this type of installation.

Each room where dryers are located should have make-up air equal to or greater than the CFM of all dryers in the room.

This information is intended for general guide purposes only and does not necessarily include all factors which may be required for consideration in a given situation. If specific information on multiple exhausting is required, contact a local sheet metal contractor.

1. Provide all dryers with individual lint screens before connecting to any central exhaust vent system.
2. Exhaust individual dryers to the central exhaust vent system with proper sized venting to assure adequate performance of each dryer. (Dryer has 4-inch exhaust vent connection.)
3. Install barometric dampers on each individual dryer exhaust vent. These dampers may be used for balancing out the overall vent system. Dampers may be secured or built locally from a sheet metal fabricator.
4. Make all gas and electric supply connections to individual dryers in accordance with manufacturer's installation instructions and applicable local codes requirements.

Recessed Area/Closet Installation Instructions

NOTE: Check code requirements. Some codes limit or do not permit installation of clothes dryers in garages, closets, mobile homes, or sleeping quarters. Contact your local building inspector.

- Refer to the chart below for recommended installation requirements. This will ensure you have an adequate clearance for service and proper operation including flow of combustion and ventilation air, and that you have a sufficient distance from combustible construction.
- Be sure your location allows for a proper exhaust installation. A gas dryer must be exhausted to the outdoors. See "Exhaust requirements."

NOTE: No fuel-burning appliances may be installed in the same closet as a dryer.

Installation Clearances

Use recommended clearance for easier installation Recommended/Minimum				
	Back	Sides	Top	Front
Recessed	5 in/0 in	1 in/0 in	18 in/18 in	-----
Closet	5 in/4 in	1 in/0 in	18 in/18 in	1 in/ 1 in

Mobile Home Exhaust Requirements

NOTE: Check code requirements. Some codes limit or do not permit installation of clothes dryers in garages, closets, mobile homes, or sleeping quarters. Contact your local building inspector.

- Use at least the minimum installation clearances shown in the chart. This will ensure you have an adequate clearance for service and proper operation including flow of combustion and ventilation air, and that you have a sufficient distance from combustible construction.
- Special provisions must be made for the introduction of outside air into the dryer when installed in a mobile home. The area of any opening for the introduction of outside air (such as a nearby window) should be at least twice as large as the dryer exhaust opening.

This dryer is suitable for mobile home installations. The installation must conform to the Manufactured Home Construction and Safety Standard, Title 24 CFR, Part 3280 (formerly the Federal Standard for Mobile Homes Construction and Safety, Title 24, HUD Part 280).

- Dryer exhaust vent must not be connected or secured with screws or other devices which extend into the interior of the vent.
- A gas dryer must be exhausted outdoors. The exhaust vent must be securely fastened to a noncombustible portion of the mobile home structure and must not terminate beneath the mobile home.

For mobile home use, gas dryers must be securely fastened to the floor. Order Mobile Home Installation Kit 346764 from your Sears store or Sears Service Center. Kit includes the necessary fastening hardware and detailed installation instructions. Exhaust system hardware is also available through your Sears store or Sears Service Center.

Installing the dryer

⚠ WARNING



Explosion Hazard

Keep flammable materials and vapors, such as gasoline, away from dryer.

Place dryer at least 18 inches (46 cm) above the floor for a garage installation.

Failure to do so can result in death, explosion, or fire.

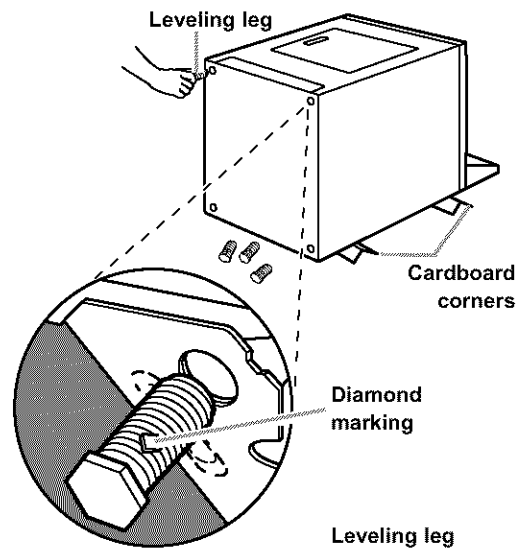
⚠ WARNING

Excessive Weight Hazard

Use two or more people to move and install dryer. Failure to do so can result in back or other injury.

NOTES:

- Do not move dryer by grasping console.
 - Rough handling or moving dryer over rough floor can result in damage to leveling feet.
 - Slide dryer onto cardboard or hardboard before moving across floor.
1. Open dryer and remove any shipping tape that secures the dryer drum. Remove all parts, packages, and leveling feet.
 2. Move dryer close to permanent location.
 3. Install leveling legs:
 - Take two of the cardboard corners from the carton and place them on the floor in back of the dryer. Firmly grasp the body of the dryer and gently lay it back on the cardboard corners.
 - Check leg for diamond marking. This is how far the leg should go into the hole. Start to screw legs into holes by hand. A little liquid detergent applied to the legs will help lubricate them.
 - Use a 1-in wrench to finish turning the legs until you reach the diamond mark.



4. Level dryer:

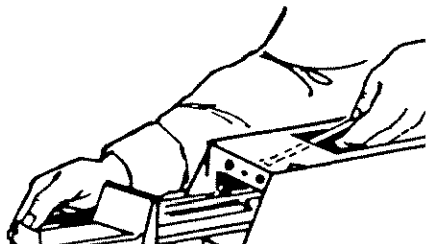
- Stand the dryer up and move it close to its final location. Leave enough room to connect the exhaust vent.
- Check levelness of dryer by placing a level on top of the dryer, first side-to-side; then front-to-back.
- If the dryer is not level, prop the dryer up using two stacked cardboard corner posts.
- Use a wrench to adjust the legs up or down until the top of the dryer is level.

Installing coin-slide mechanism

NOTE: If the coin-slide mechanism is installed, skip this step and proceed to coin-box adjustment.

Remove the service door from the meter case by unlocking the service lock with the key shipped with the dryer.

Carefully insert coin-slide mechanism into opening and guide into holes. Secure the coin slide with bolt from inside the meter case.

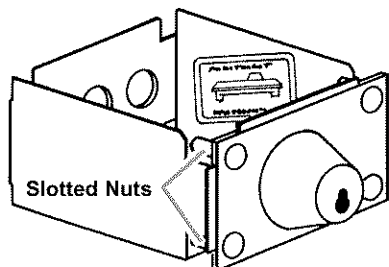


NOTE: Removing timer from mounting screws may facilitate inserting the bolt.

Replace the service door. Be sure the lock is located toward the rear of the case.

Coin box adjustment

The tight fit of the money box is set at the factory. Customer may loosen fit as desired by loosening the slotted nuts.



Keep a record of all coin-box key numbers. A lost key can only be replaced if ordered by key number from Sears Parts. The key number is located both on the key and behind the end panel of the coin box. If the key number is not available, the lock must be drilled out to remove the coin box.

Replace the meter case access panel.

Final installation connection

1. Connect exhaust vent to exhaust outlet of the dryer.
2. Carefully move dryer into permanent location. Provide at least the minimum installation clearances between dryer and rear wall. See the chart. This will ensure you have an adequate clearance for service and proper operation including flow of combustion and ventilation air, and that you have sufficient distance from combustible construction.
3. Connect gas supply to dryer. If flexible metal tubing is used, be certain that there are no kinks. To prevent kinking, you may need an elbow and a connector between the stainless steel tubing and the dryer gas pipe. The gas pipe that comes out through the rear of your dryer has a $\frac{3}{8}$ -inch male pipe thread.

4. Open the shut-off valve in the supply line. (The valve is open when the handle is even along pipe.)
5. Test all the external gas connections for leaks by brushing on a soapy water solution. (Liquid detergent also works well.) Bubbles will show a leak. If a leak is found, shut off gas supply line valve and correct leak.
6. Plug dryer power supply cord into a grounded wall receptacle.
7. Turn on the dryer to remove air from gas supply line. Using a full heat program, let the dryer run for at least 5 minutes. If the burner does not ignite and you can feel no heat inside the dryer drum, shut off the dryer and wait 15 minutes.

Check to be sure all gas supply valves are open and electric supply is connected. Repeat Step 7 until the burner ignites.

Starting the dryer without using the coin mechanism

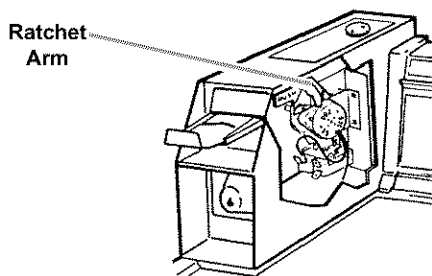
1. Close the dryer door.
2. Push the PUSH TO START button firmly.

⚠ WARNING




Electrical Shock Hazard
Disconnect power before servicing.
Replace all panels before operating.
Failure to do so can result in death or electrical shock.

3. If the dryer does not start, remove the meter-case service door.
4. Push the ratchet arm towards the rear of the dryer until it stops, then release.
5. Replace the meter-case service door. Be sure the lock is located toward the rear of the case.
6. Push the PUSH TO START button firmly.



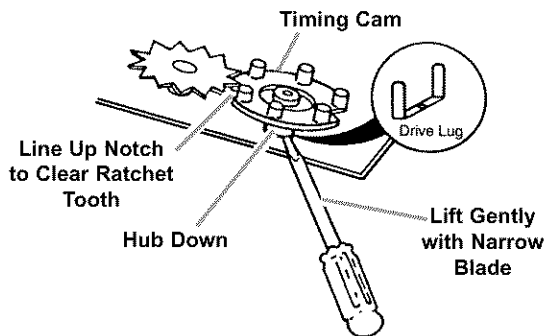
Replacing nylon timing cams on accumulator mechanism

⚠ WARNING



Electrical Shock Hazard
Disconnect power before servicing.
Replace all panels before operating.
Failure to do so can result in death or electrical shock.

1. Unplug dryer or disconnect power.
2. Remove meter-case service door:
 - Loosen two screws securing timer bracket to meter case and lift timer assembly out.
3. Remove nylon timing cam:
 - Rotate cam by hand until "V" notch lines up underneath the ratchet tooth.



- Insert narrow screwdriver under nylon cam close to the timer shaft. Lift cam gently off shaft. Make sure that pressure is directed upward and the "V" notch clears the ratchet tooth.
4. Replace new timing cam:
 - Be sure drive lug is in place. Place cam (hub down) over timer shaft, lining up flat on shaft with flat of drive lug hole.
 - Rotate cam until "V" notch lines up with ratchet tooth.
 - Press down to seat cam on timer shaft. Make sure that "V" notch freely clears ratchet tooth.

NUMBER OF PINS	TIME PER COIN INSERTED
6 Light Red	30
4 Light Yellow	45
3 Light Green	60 (Installed)


5. Plug in dryer or reconnect power.

Changing Vend Price

Follow all instructions carefully.

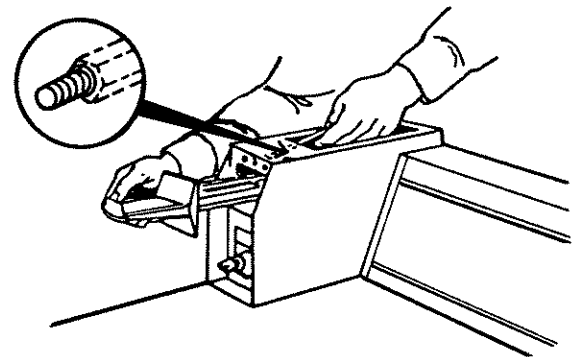
NOTE: Place all screws and other items removed from coin slide assembly on a cloth so they will not get lost.

⚠ WARNING



Electrical Shock Hazard
Disconnect power before servicing.
Replace all panels before operating.
Failure to do so can result in death or electrical shock.

1. Unplug dryer or disconnect power.
2. Remove slide mechanism from meter case.



3. Remove slide return spring.
4. Place coin(s) in coin slot(s) and push forward all the way.
5. Remove buffer.
6. Turn coin chute upside down and install or remove required number of block-out keys. Remove keys to increase vend, add keys to lower vend.
7. Reassemble buffer.
8. Pull slide back to original position and reassemble slide return spring.

- Set new vend price by adding or removing the appropriate block-out keys and/or dime inserts according to Table of Vend Prices.

TABLE OF VEND PRICE

VEND PRICE	COIN SLOTS							
	1	2	3	4	5	6	7	8
0	█	█	█	█	█	█	█	█
10¢	□	█	█	█	█	█	█	█
25¢	█	█	█	█	█	█	█	█
35¢	□	█	█	█	█	█	█	█
50¢	█	█	█	█	█	█	█	█
60¢	□	█	█	█	█	█	█	█
75¢	█	█	█	█	█	█	█	█
85¢	□	█	█	█	█	█	█	█
\$1.00	█	█	█	█	█	█	█	█
\$1.10	□	█	█	█	█	█	█	█
\$1.25	█	█	█	█	█	█	█	█
\$1.35	□	█	█	█	█	█	█	█
\$1.50	█	█	█	█	█	█	█	█
\$1.60	□	█	█	█	█	█	█	█
\$1.75	█	█	█	█	█	█	█	█
\$1.85	□	█	█	█	█	█	█	█
\$2.00	█	█	█	█	█	█	█	█

NOTES:


- Black slots are closed off by block-out key. To remove block-out keys, pull straight up.
- Be sure block-out keys and/or dime inserts are seated properly and ratchet dog is in place with its spring connected. Be sure the proper coin sizing block is in place.
Part # 20-3007 for up to 7 quarters and 1 dime
Part # 20-3006 for up to 8 quarters and 0 dimes
- Unless otherwise ordered, all coin chutes are supplied with Part 20-3006 in place.

- Plug in dryer or reconnect power.

NOTE: Refer to the product information sheet provided with the coin box for additional information.

Opening dryer top

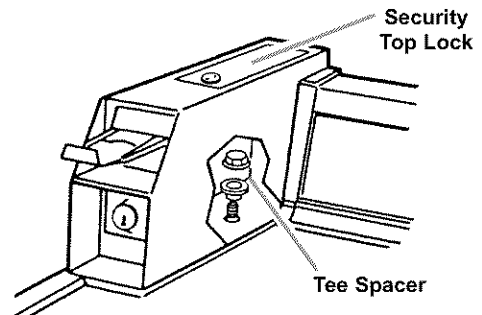
⚠ WARNING



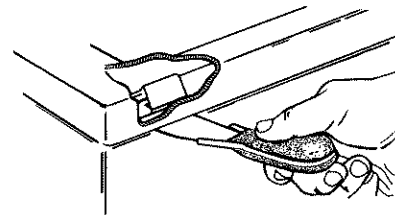
Electrical Shock Hazard

Disconnect power before servicing.
Replace all panels before operating.
Failure to do so can result in death or electrical shock.

- Unplug dryer or disconnect power.
- Open meter-case access door with top-lock key.
- Loosen the two timer bracket mounting screws (do not remove) and lift timer and mounting bracket out of meter case.
- Remove nut and tee spacer from the stud.



- Unlock the security top lock located in the front right corner of the dryer top with the key provided.
- Remove two screws under lint lid.
- Press in the top locks located 2½ inches in from each side of the dryer with a putty knife.



- Lift the top as you press the locks. The top is hinged at the rear. Hold the top open. If you let go, the top could fall back and damage the console.


To close dryer top:

1. Push down on top until front locks catch.
2. Relock security top lock with key.
3. Replace screws under lint lid.
4. Replace tee spacer and nut on stud inside meter case.
5. Replace timer and bracket in meter case. Tighten mounting screws.
6. Replace and lock timer access door.
7. Plug in dryer or reconnect dryer.

OPERATING THE DRYER

Read operating instructions before operating the dryer.
(Located on console.)

⚠ WARNING




Explosion Hazard

Keep flammable materials and vapors, such as gasoline, away from dryer.

Do not dry anything that has ever had anything flammable on it (even after washing).

Failure to follow these instructions can result in death, explosion, or fire.

⚠ WARNING



Fire Hazard

No washer can completely remove oil.

Do not dry anything that has ever had any type of oil on it (including cooking oils).

Items containing foam, rubber, or plastic must be dried on a clothesline or by using an Air Cycle.

Failure to follow these instructions can result in death or fire.

1. Dryer will not operate with the door open.
2. Keep lint screen and exhaust system clear of lint.
A blocked screen or exhaust will cause slow drying and other problems.
3. If the dryer will not operate, check the following to be sure:
 - Electrical supply is connected.
 - Fuse is good and fits tightly.
 - Door is closed.
 - Proper coins are inserted. Push slide in and slowly pull out.

Removing accumulated lint

Periodically inspect motor and blower for lint accumulation. Large quantities of lint in these areas will affect the performance of the dryer. Cleaning should be done by a qualified service person.

Drying Time

The following charts are provided to give a general guideline on typical full loads and suggested times for these loads.

TYPICAL FULL LOAD

The following chart gives examples of typical full loads:

LOAD TYPE	INCLUDES	LOAD TYPE	INCLUDES
Mixed Load	2 sheets	Heavy Work Clothes	4 pairs jeans
	4 pillow cases		4 pairs work pants
	2 shirts		1 denim jacket
	6 shorts		1 coverall
	2 blouses		
	8 handkerchiefs		

TYPE OF LOAD	SUGGESTED DRY TIME*
Mixed Cottons	40-55 minutes
Towels	50-65 minutes
Denims – Work Clothes	50-70 minutes
Permanent Press	30-45 minutes
Synthetic Knits – Delicates	20-35 minutes

*Times are approximate based on average-size loads.

NOTE: When drying Permanent Press loads, make sure the clothes are left in the dryer until the FINISHING light goes off.

Lubrication Instructions

Every Kenmore automatic dryer is thoroughly lubricated at the time of assembly with lubricants designed to last the normal life of the product. Under normal operating conditions further lubrication should not be required.

In those instances where dryer operating time accumulates rapidly, noise level may be reduced and bearing life extended by proper lubrication. If repairs are performed on the machine, then complete lubrication of the repaired assemblies is desirable.

Effective, long-lasting lubrication of a dryer requires lubricants designed for the particular application. The following chart lists the recommended lubricant. This lubricant is available from any Sears Parts Department.

APPLICATION	RECOMMENDED LUBRICANT
Drum Support Rollers Idler Assembly	Turbine Oil

TROUBLESHOOTING

Before servicing the dryer, always check out the machine to substantiate the complaint for which the service call was created. In many cases, it may just be a customer-instruct problem.

Will not run

- **Power supply**
Check line fuses and line switches.
- **Main wiring harness**
Check for loose or broken terminal.
- **Door switch**
Make continuity check on switch contacts.
- **Main motor**
Check motor.
- **Timer**
Make continuity check on timer contacts Y to BG.
- **PUSH TO START button**
Check start switch for continuity.
- **Power relay**
Check power relay for open coil or bad contacts.

Clothes not drying

- **Operating thermostat**
Check for open switch contacts.
- **Main motor**
Check motor centrifugal switch M2 to M3 for open contact.
- **Timer**
Check timer switch contacts Y to R for continuity. Also Y to BR, if used on timer.
- **Main wiring harness**
Check for voltage at 1V, 2V, and 3V. Check harness for shorted or broken wire.
- **Drum belt**
Check belt. May be worn, broken, or off pulley. Faulty idler assembly.
- **Drum seals**
Check front and rear drum seals. Must be properly positioned on the drum and flange surface.
- **Exhaust fan**
Check fan for proper RPM, lint.
- **Gas burner**
Check for function.
- **Lint screen**
Check lint screen for lint.
- **Exhaust vent**
Check exhaust vent for lint blockage.

- **Power supply**
Check line fuses and switches.

- **Load**
Check for size and type of load.

- **Improperly grounded**
Check for control panel being grounded.

Drum will not rotate

- **Drum belt**
Check for broken belt. Be sure it is properly positioned on motor pulley.

Will not shut off

- **Timer**
Check timer motor for function and timer for welded contacts.
- **Operating thermostat**
Check for correct thermostat in dryer. Check for failed thermostat.

Blowing fuses

- **Electrical ground**
Check motor, electrical components, and harness for ground.
- **Fuse box**
Defective fuse-box assembly. Improperly fused.

Moisture retention unsatisfactory

- **Blocked exhaust**
Inspect exhaust system for lint.
- **Thermostats**
Check reason for improper cycling.
- **Improperly grounded control panel**
Check grounding of control panel.

Will not heat

- **Main wiring harness**
Check main harness at element terminals.
- **Operating and high limit thermostats**
Install jumper across terminals and test dryer, or make continuity test on switch contact.
- **Main motor**
Check motor centrifugal switch 2M to 3M for continuity.
- **Timer**
Check continuity of timer contacts Y to R. Also Y to BR if used on timer.
- **Gas burner**
Check for function.
- **Power supply**
Check line fuses and switches.
- **No gas flow**
Check for closed gas supply valves.

Drying temperature too high

• Operating thermostat

Check for lint that may insulate thermostat from exhaust air. Check thermostat for function.

Motor runs with door open

• Door switch

Check door switch for function and switch clip actuating arm for proper switch plunger actuation.

Noise

• Loose components

Secure component.

• Idler assembly

Check alignment and bearing assembly.

• Belt

Replace belt.

• Motor

Check motor.

• Lint

Remove lint from rear drum groove.

• Front drum bearings

Lubricate or replace bearings. If loose, fasten Delrin bearing ring to drum flange with silastic or, if needed, replace Delrin ring.

• Support roller assemblies

Replace roller and/or shaft.

• Baffle

Tighten assembled baffle.

• Blower

Foreign matter in blower housing.

Clothes "balling" complaints

• Large garments (sheets, spreads) "balling" instead of tumbling

Check to see if dryer is being overloaded. Check drum speed (48 ± 3 RPM).

If you need an additional parts list, contact your nearest Sears Service Center or Parts Department. Make sure to order by complete Model Number when ordering.

CHANGING VEND PRICE?

To change vend price, detach and mail the lower portion to: Customer Service Department

Greenwald Industries Inc.
212 Middlesex Ave.
Chester, CT 06412

THE COIN CHUTE HAS BEEN PRE-SET AT THE FACTORY

WHEN INCREASING IN \$.25 PRICING

Follow instructions on page 10—no extra parts required.

WHEN DECREASING IN \$.25 PRICING

or

CHANGING TO \$.10 PRICING

(coin sizing block required, see page 11)

Order required parts using this tear-off. Block-out keys will be shipped to you at no charge. Follow product information instructions.

QUANTITY: _____ EXISTING VEND PRICE \$ _____

NEW VEND PRICE \$ _____

NAME _____

COMPANY _____

ADDRESS _____

CITY _____

DAYTIME PHONE _____

PURCHASE DATE _____

Notes

For major brand repair service:

Call 24 hours a day, 7 days a week

1-800-4-MY-HOMESM (1-800-469-4663)

Para pedir servicio de reparación a domicilio – 1-800-676-5811

For the repair or replacement parts you need:

Call 6 a.m. – 11 p.m. CST, 7 days a week

PartsDirectSM

1-800-366-PART (1-800-366-7278)

Para ordenar piezas con entrega a domicilio – 1-800-659-7084

For the location of a Sears Service Center in your area:

Call 24 hours a day, 7 days a week

1-800-488-1222

To purchase or inquire about a Sears Maintenance Agreement:

Call 7 a.m. — 5 p.m. CST, Monday — Saturday

1-800-827-6655

