

Owner's Manual
Manual del Propietario



THROUGH-THE-WALL AIR CONDITIONER
ACONDICIONADO DE AIRE A TRAVES DE PARED

Model, Modelo 580.73083 580.74103 580.74123

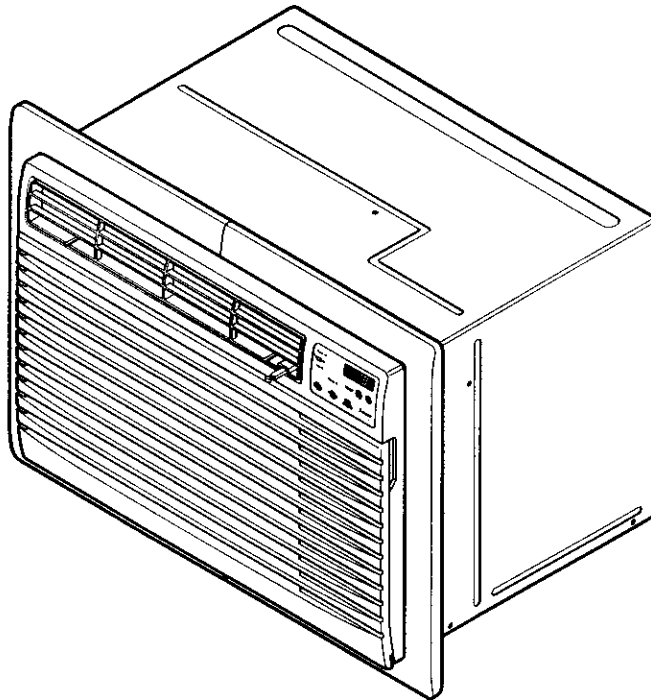


TABLE OF CONTENTS

TABLE OF CONTENTS	2	Features	13
WARRANTY	2	Using the Air Conditioner	13
SAFETY	3	Air Conditioner Features	14
Important Safety Instructions	3	MAINTENANCE	17
ELECTRICAL REQUIREMENTS	4	Air Filter Cleaning	17
INSTALLATION	5	Air Conditioner Cleaning	17
Installation Requirements	5	How to Remove the Front Grille	17
Installation	6	How to Replace the Front Grille	17
Procedure A	7	TROUBLESHOOTING	18
Procedure B	9	Before Calling for Service	18
Procedure C	11	ESPAÑOL	20
OPERATION	12	MASTER PROTECTION	
How and Why	12	AGREEMENTS	39
Normal Sounds	12	SERVICE NUMBERS	Back Cover
Capacity and Running Time	12		

WARRANTY

FULL ONE YEAR WARRANTY ON THROUGH-THE-WALL AIR CONDITIONER

For one year from the date of purchase, when this air conditioner is operated and maintained for normal room cooling according to instructions in this owner's manual, Sears will repair this air conditioner, free of charge, if defective in material or workmanship.

FULL FIVE-YEAR WARRANTY ON SEALED REFRIGERATION SYSTEM

For five years from the date of purchase, when this air conditioner is operated and maintained for normal room cooling according to instructions in this owner's manual, Sears will repair the sealed refrigeration system (consisting of refrigerant, connecting tubing, and compressor), free of charge, if defective in material or workmanship.

WARRANTY SERVICE IS AVAILABLE BY CONTACTING SEARS SERVICE AT 1-800-4-MY-HOME®.

Warranty coverage applies only to air conditioners used for non-commercial, private household purposes.

This warranty applies only while this product is in use in the United States.

This warranty gives you specific legal rights, and you may also have other rights which vary from state to state.

**Sears, Roebuck and Co., D/817WA,
Hoffman Estates, IL 60179 U.S.A.**

SAFETY

IMPORTANT SAFETY INSTRUCTIONS

The safety instructions below will tell you how to use your room air conditioner to avoid harm to yourself or damage to your ROOM AIR CONDITIONER.

⚠ WARNING FOR YOUR SAFETY

Do not store or use gasoline or other flammable vapors and liquids in the vicinity of this or any other appliance. Read product labels for flammability and other warnings.

⚠ WARNING PREVENT ACCIDENTS

To reduce the risk of fire, electrical shock, or injury to persons when using your air conditioner, follow basic precautions, including the following:

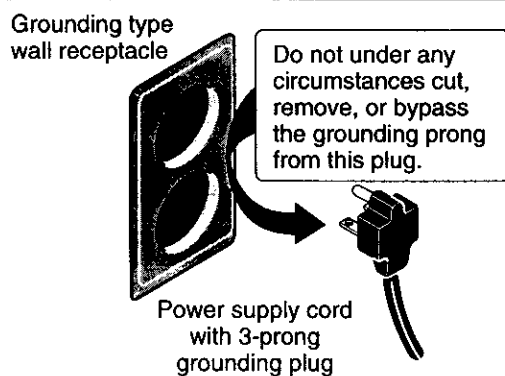
- Be sure the electrical service is adequate for the model you have chosen.
- If the air conditioner is to be installed in a window, you will probably want to clean both sides of the glass first. If the window is a triple-track type with a screen panel included, you may want to remove the screen completely before installation.
- Be sure the air conditioner has been securely and correctly installed according to the instructions in this manual.
Save this manual and installation instructions for possible future use in removing or reinstalling this unit.
- Use gloves when handling the air conditioner. Be careful to avoid cuts from sharp metal fins on front and rear coils.

⚠ WARNING ELECTRICAL INFORMATION

The complete electrical rating of your new room air conditioner is stated on the serial plate. Refer to the rating when checking the electrical requirements.

- Be sure the air conditioner is properly grounded. To minimize shock and fire hazards, proper grounding is important. The power cord is equipped with a three-prong grounding plug for protection against shock hazards.
- Your air conditioner must be plugged into a properly grounded wall receptacle. If the wall receptacle you intend to use is not adequately grounded or protected by a time delay fuse or circuit breaker, have a qualified electrician install the proper receptacle.
- Do not run air conditioner with packing sheet of the back of the sleeve, and packing corner and blue tape of the air conditioner. This could result in mechanical damage within the air conditioner.
- **Do not use an extension cord or an adapter plug.**

⚠ WARNING Avoid fire hazard or electric shock. Do not use an extension cord or an adapter plug. Do not remove any prong from the power cord.



ENERGY SAVING IDEAS

- The capacity of the room air conditioner must fit the room size for efficient and satisfactory operation.
- Install the room air conditioner on the shady side of your home. A window that faces north is best because it is shaded most of the day.
- Do not block air flow inside with blinds, curtains, or furniture; or outside with shrubs, enclosures, or other buildings.
- Close the floor and wall registers and the fireplace damper so cool air does not escape up the chimney and into the duct work.
- Keep blinds and drapes in other windows closed during the sunniest part of the day.
- Clean the air filter as recommended in the MAINTENANCE section of this manual.
- Proper insulation and weather stripping in your home will help keep warm air out and cool air in.
- External house shading with trees, plants or awnings will help reduce the air conditioner's work load.
- Operate heat producing appliances such as ranges, washers, dryers, and dishwashers during the coolest part of the day.

ELECTRICAL REQUIREMENTS

OBSERVE ALL LOCAL CODES AND ORDINANCES.

DO NOT, UNDER ANY CIRCUMSTANCES, REMOVE THE POWER SUPPLY CORD GROUND PRONG.


ELECTRICAL GROUND IS REQUIRED ON THIS APPLIANCE.

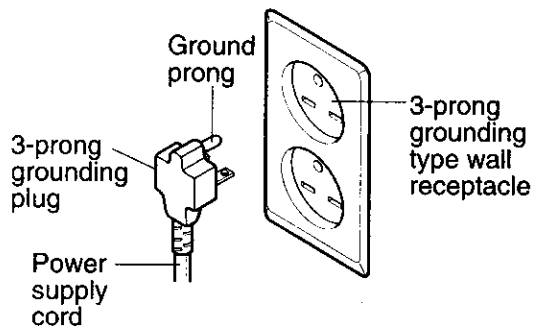
A 208/230-volt 60 Hz, AC only, 15A fused and properly grounded electrical supply is required. A time delay fuse or time delay circuit breaker is recommended. Use a dedicated circuit, serving only this appliance.

DO NOT USE AN EXTENSION CORD.

RECOMMENDED GROUNDING METHOD

For your personal safety, this appliance must be grounded. This appliance has a power supply cord with a 3-prong grounding plug. To minimize possible shock hazard, the cord must be plugged into a mating grounding type wall receptacle and grounded in accordance with the National Electrical Code (ANSI/NFPA 70) latest edition and all local codes and ordinances. If a mating wall receptacle is not available, it is the personal responsibility and obligation of the customer to have a properly grounded 3-prong wall receptacle installed by a qualified electrician.

⚠ WARNING

<p>Electrical Shock Hazard Plug into a grounded 3 prong outlet. Do not remove ground prong. Do not use an adapter. Do not use an extension cord. Failure to follow these instructions can result in death, fire, or electrical shock.</p>



INSTALLATION

Remove packing sheet from the back of the sleeve, and packing corner and blue tape from the air conditioner.

INSTALLATION REQUIREMENTS

If you use an existing wall sleeve, you should measure its dimensions.

Install the new air conditioner according to these installation instructions to achieve the best performance. All wall sleeves used to mount the new air conditioner must be in good structural condition and have a rear grille to securely attach the new air conditioner. (FIG. 1)

With the Kenmore sleeve, you can maintain the best performance of the new air conditioner. (FIG. 2)

INSTALLATION HARDWARE

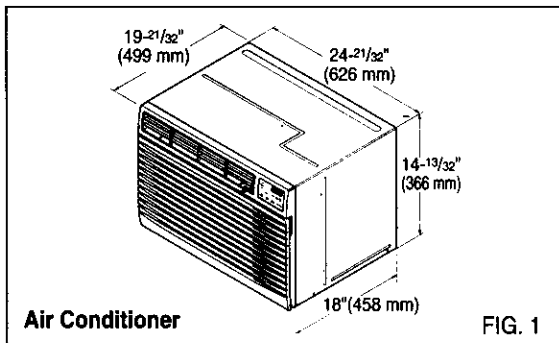
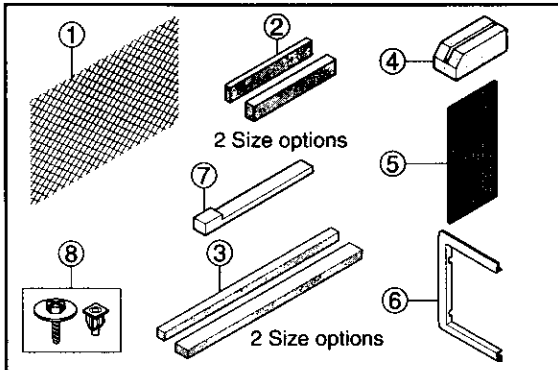


FIG. 1

ITEM	NAME OF PARTS	QTY
①	PLASTIC GRILLE	1
②	HORIZONTAL INSULATION STRIPS	2
③	AROUND INSULATION STRIPS	2
④	SUPPORT BLOCK	2
⑤	BAFFLE	1
⑥	TRIM FRAME	2
⑦	SHIM	2
⑧	PLASTIC NUTS AND WASHER SCREWS	4

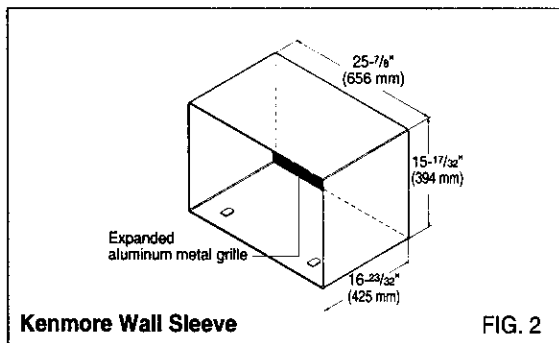


FIG. 2

ELECTRICAL SERVICE

Check your available electrical service. The power supply available must be the same as that shown on the unit nameplate (found on left side of cabinet).

All models are equipped with a 3-prong service plug to provide proper service and safe positive grounding. Do not change plug in any way. Do not use an adapter plug. If your present wall outlet does not match your plug, call a qualified electrician to make the necessary corrections. SAVE CARTON for storage and this OWNER'S MANUAL for future reference. The carton is the best way to store unit during winter or when not in use.

CAUTION

To avoid risk of personal injury, property damage, or product damage due to the weight of this device and sharp edges that may be exposed:

- Air conditioners covered in this manual pose an excessive weight hazard. Two or more people are needed to move and install the unit. To prevent injury or strain, use proper lifting and carrying techniques when moving unit.
- Carefully inspect location where air conditioner will be installed. Be sure it will support the weight of the unit over an extended period of time.
- Handle air conditioner with care. Wear protective gloves whenever lifting or carrying the unit. AVOID the sharp metal fins of front and rear coils.
- Make sure air conditioner does not fall during installation.

REQUIRED TOOLS:

- Tight Fitting gloves
- Standard screwdriver
- Phillips screwdriver
- Pliers
- Sharp knife
- 3/8-inch open end wrench or adjustable wrench
- 1/4-inch hex socket and ratchet
- Tape measure
- Electric drill
- 1/4-inch drill bit

INSTALLATION

INSTALLATION

CAUTION

We strongly recommend the removal of the old wall sleeve and the installation of a new Kenmore Wall Sleeve.

If you decide to keep the existing wall sleeve, you have to redirect the louvers at the back of the wall sleeve illustration. The use of pliers is recommended. If you DO NOT redirect, you run the risk of poor performance or product failure. This is not covered under the terms of the Kenmore warranty.

- Pick a location which will allow the conditioned air to blow into the area you want. Good installation with special attention to the proper position of the unit will lessen the chance that service will be needed.

ITEMS IN INSTALLATION HARDWARE

You may not need all parts in the kit. Discard unused parts

ITEM (inches)	Qty.	
Plastic grille	26 ³ / ₄ x 16 ¹ / ₂	1
Horizontal Insulation Strips	1 ³ / ₈ x 5 ⁵ / ₈ x 27 ³ / ₁₆	1
	1 ³ / ₈ x 1 ³ / ₈ x 27 ³ / ₁₆	1
Around Insulation Strips	1 ³ / ₈ x 3 ³ / ₄ x 61 ¹ / ₂	1
	1 ³ / ₈ x 1 ³ / ₈ x 61 ¹ / ₂	1
Support Block	1 ³ / ₄ x 1 ³ / ₈ x 4 ⁵ / ₁₆	2
Baffle	14 x 4 ¹ / ₂ x 1 ¹ / ₈	1
Shim	13 x 1 x 3 ³ / ₄	2
Trim Frame		2
Washer Screw		4
Nuts(Plastic)		4

HOW TO INSTALL

- 1 Identify the existing wall sleeve before installing the unit from the listed below.

Brand	Wall Sleeve Dimensions (inches)		
	Width	Height	Depth
White-Westinghouse Frigidaire Carrier (52F series)	25-1/2	15-1/4	16, 17-1/2 or 22
General Electric /Hotpoint	26	15-5/8	16-7/8
Whirlpool	25-7/8	16-1/2	17-1/8 or 23
Fedders/Emerson	27	16-3/4	16-3/4 or 19-3/4
Sears/Kenmore	25-7/8	15-17/32	16-23/32
Emerson/Fedders	26-3/4	15-3/4	15
Carrier (51S Series)	25-3/4	16-7/8	18-5/8
Friedrich	27	16-3/4	16-3/4

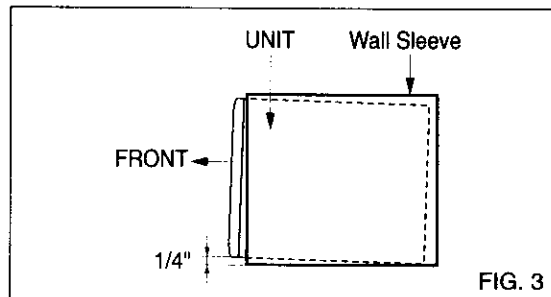
NOTE: All wall sleeves used to mount the new Air Conditioner must be in sound structural condition and have a rear grille that securely attaches to sleeve, or rear flange that serves as a stop for the Air Conditioner,

- 2 Remove old air conditioner from existing wall sleeve.
- 3 Clean the interior of an existing sleeve. (Do not disturb seals.)
- 4 Wall sleeve must be securely fastened in wall before installing the air conditioner. Use the nails or screws through sleeve into wall, if needed. Repaint sleeve if needed.
- 5 Prepare the wall sleeve for installation of the unit. If you plan to use your existing wall sleeve, and it is not Kenmore, use procedure B or C below.

Procedure	Brand	Depth(inches)
A	Sears/Kenmore	16-23/32
B	White-Westinghouse Frigidaire Carrier (52F series)	16, 17-1/2 or 22
	General Electric /Hotpoint	16-7/8
	Whirlpool Carrier (51S series)	17-1/8 or 23 18-5/8
	Fedders/Emerson	16-3/4 or 19-3/4
C	Emerson/Fedders	15
	Friedrich	16-3/4

- 6 Install new unit into wall sleeve.

CAUTION: When installation is completed, replacement unit **MUST** have a rearward slope as shown.



INSTALLATION

PROCEDURE A

- 1** If you are using the new sleeve supplied with your unit, skip to step 3. Otherwise, install the plastic grille from the kit. Cut the plastic grille to 25-1/2" wide and 15-1/4" high. Place the plastic grille to the inside of the wall sleeve at the rear flange.

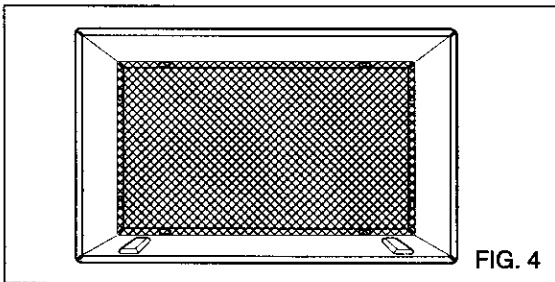


FIG. 4

- 2** Fasten the 4 washer screws to secure the grille to the wall sleeve. If you need plastic nuts to mount plastic grille to the inside of the wall sleeve, there are plastic nuts in the installation kit. The nuts are installed from the inside of the sleeve and are pressed into the square holes of the rear flanges.

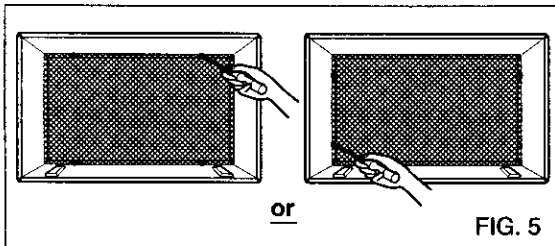


FIG. 5

- 3** Remove the backing from the Horizontal Insulation strip $1\frac{3}{8} \times \frac{3}{8} \times 27\frac{3}{16}$ and attach that to the inside bottom of the sleeve as shown below. Remove the backing from the Around Insulation strip $1\frac{3}{8} \times \frac{3}{4} \times 61\frac{1}{2}$ and attach that to the inside front of the sleeve as shown below.

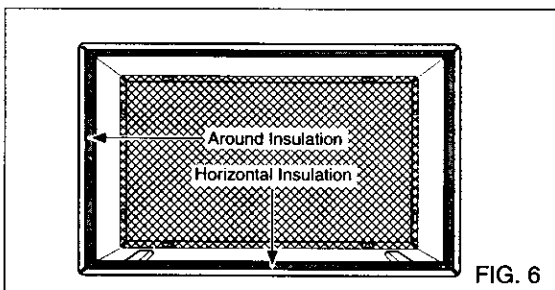


FIG. 6

- 4** Install the new unit into the wall sleeve.
- 5** To assemble trim, snap the tab of each piece into the slot of the other piece as shown below. Slide trim over the front of the air conditioner until trim is flush with sleeve as shown below.

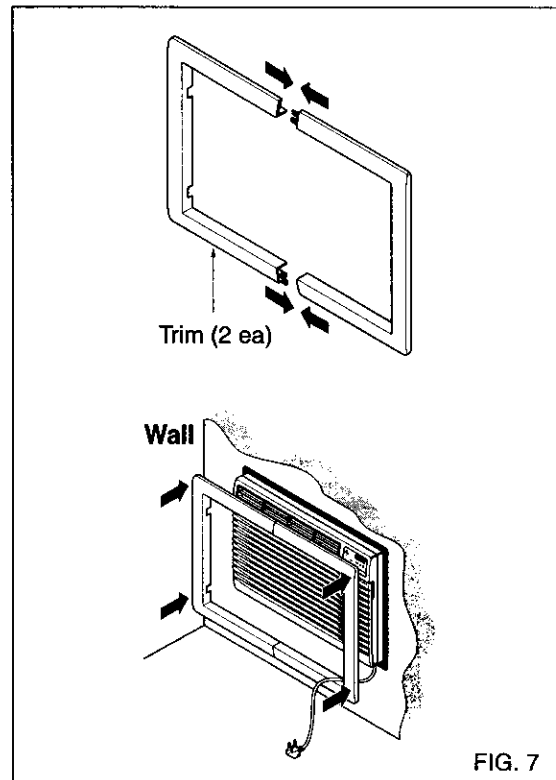


FIG. 7

CAUTION

- Air conditioners covered in this manual pose an excessive weight hazard. Two or more people are needed to move and install the unit. To prevent injury or strain, use proper lifting and carrying techniques when moving unit.
- When handling the air conditioner, be careful to avoid cuts from sharp metal fins on front and rear coils.
- Make sure air conditioner does not fall during removal.

INSTALLATION

PROCEDURE B

- 1** Redirect the louvers at the back of the wall sleeve to 60° angle as shown in the FIG 8. The use of pliers is recommended.

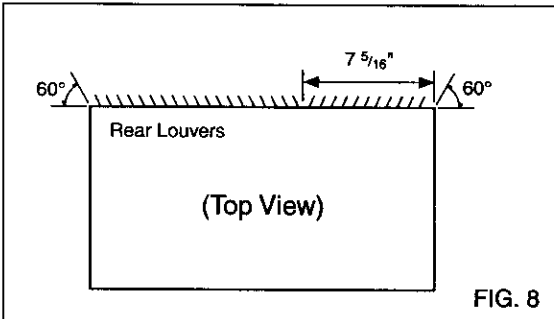


FIG. 8

- 2** If the wall sleeve already has a rear grille, skip to step 4. If the wall sleeve does not have a rear grille or louvered panel, install the plastic grille from the kit. Cut the plastic grille to 25-1/2" wide and 15-1/4" high. Place the plastic grille to the inside of the wall sleeve at the rear flange.

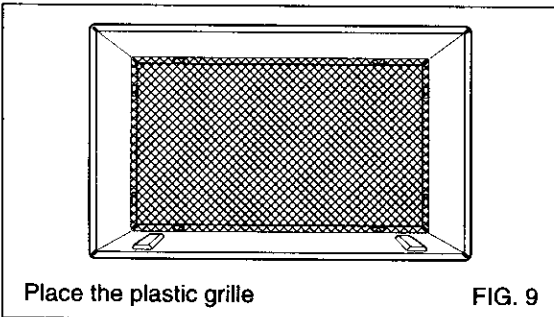


FIG. 9

- 3** Fasten the 4 washer screws to secure the grille to the wall sleeve. If you need plastic nuts to mount plastic grille to the inside of the wall sleeve, there are plastic nuts in the installation kit. The nuts are installed from the inside of the sleeve and are pressed into the square holes of the rear flanges.

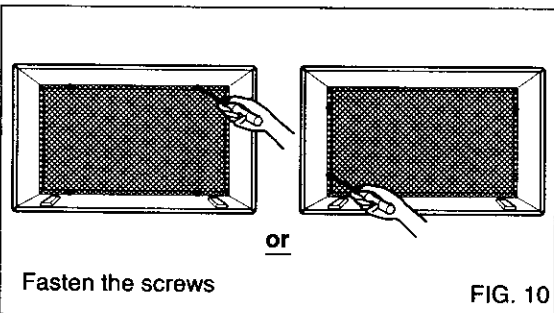


FIG. 10

- 4** Remove the backing from the Horizontal Insulation strip $1\frac{3}{8} \times \frac{5}{8} \times 27\frac{3}{16}$ and attach that to the inside bottom of the sleeve as shown below. Remove the backing from the Around Insulation strip $1\frac{3}{8} \times \frac{3}{4} \times 61\frac{1}{2}$ and attach that to the inside front of the sleeve as shown below.

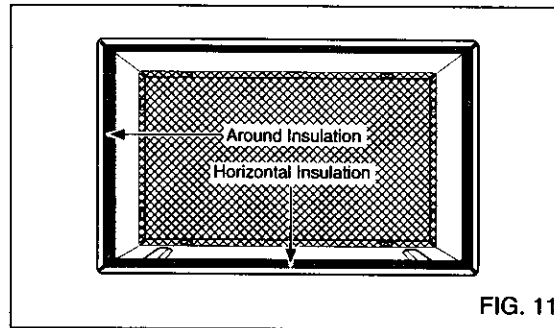


FIG. 11

- 5** If the depth of your existing wall sleeve is less than or equal to 18", skip to step 7. Otherwise, cut the baffles and the support blocks according to length "A" in the table below.

Depth "D" of the existing wall sleeve (inches)	Length "A" (inches)	
$18 < D \leq 18\text{-}\frac{5}{8}$	$\frac{3}{4}$	
$18\text{-}\frac{5}{8} < D \leq 19\text{-}\frac{3}{4}$	$1\text{-}\frac{3}{4}$	
$19\text{-}\frac{3}{4} < D \leq 22$	4	

FIG. 12

- 6** Remove the backing from the support blocks and attach them to the inside of the wall sleeve as shown FIG 9. Slide the baffle into slots of the support blocks.

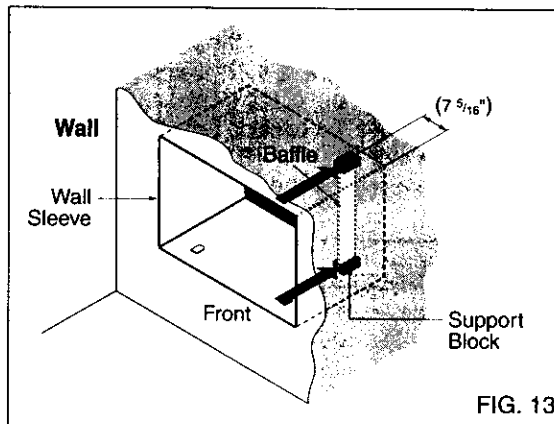


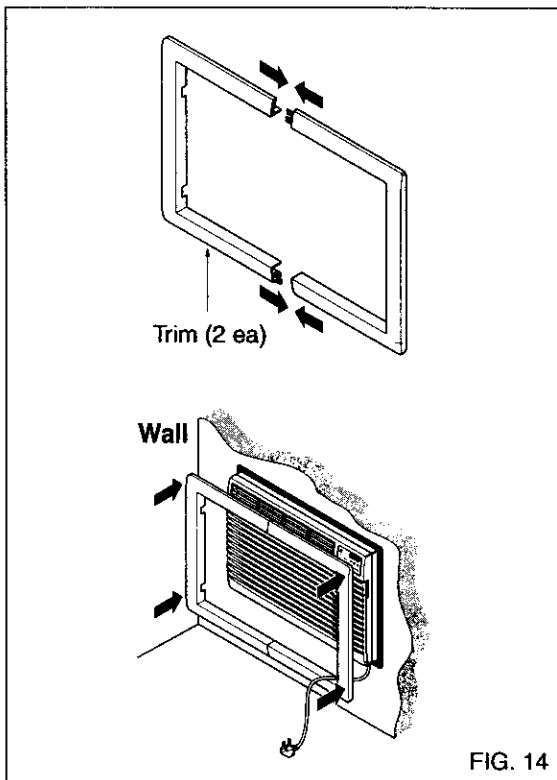
FIG. 13

- 7** Install the new unit into the wall sleeve.

INSTALLATION

PROCEDURE B

- 8** To assemble trim, snap the tab of each piece into the slot of the other piece as shown below. Slide trim over the front of the air conditioner until trim is flush with sleeve as shown below.



⚠ CAUTION

- Air conditioners covered in this manual pose an excessive weight hazard. Two or more people are needed to move and install the unit. To prevent injury or strain, use proper lifting and carrying techniques when moving unit.
- When handling the air conditioner, be careful to avoid cuts from sharp metal fins on front and rear coils.
- Make sure air conditioner does not fall during removal.

INSTALLATION

PROCEDURE C

- 1** Redirect the louvers at the back of the wall sleeve to 60° angle as shown in the FIG 15. The use of pliers is recommended.

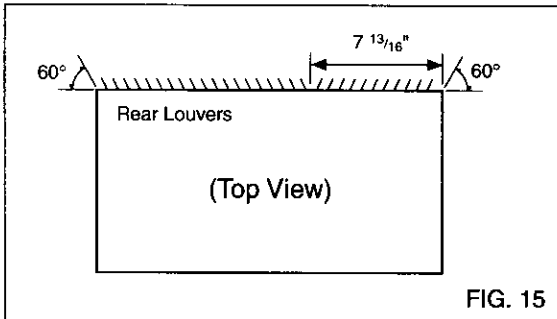


FIG. 15

- 2** If the wall sleeve already has a rear grille, skip to step 4. If the wall sleeve does not have a rear grille or louvered panel, install the plastic grille from the kit. Cut the plastic grille to 26-1/2" wide and 15-1/2" high. Place the plastic grille to the inside of the wall sleeve at the rear flange.

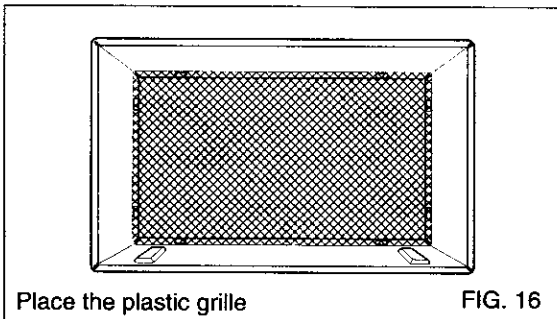


FIG. 16

- 3** Fasten the 4 washer screws to secure the grille to the wall sleeve. If you need plastic nuts to mount plastic grille to the inside of the wall sleeve, there are plastic nuts in the installation kit. The nuts are installed from the inside of the sleeve and are pressed into the square holes of the rear flanges.

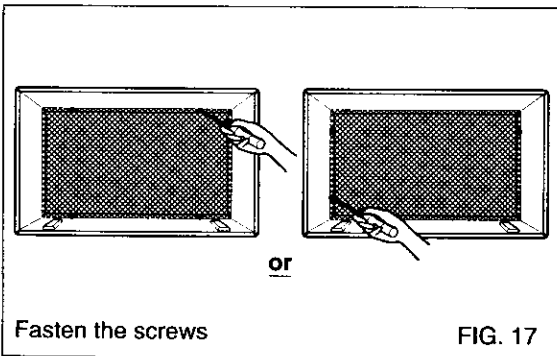


FIG. 17

- 4** Remove the backing from the Horizontal Insulation strip $1\frac{3}{8} \times 1\frac{3}{8} \times 27\frac{3}{16}$ and attach that to the inside bottom of the sleeve as shown below. Remove the backing from the Around Insulation strip $1\frac{3}{8} \times 1\frac{3}{8} \times 61\frac{1}{2}$ and attach that to the inside front of the sleeve as shown below.

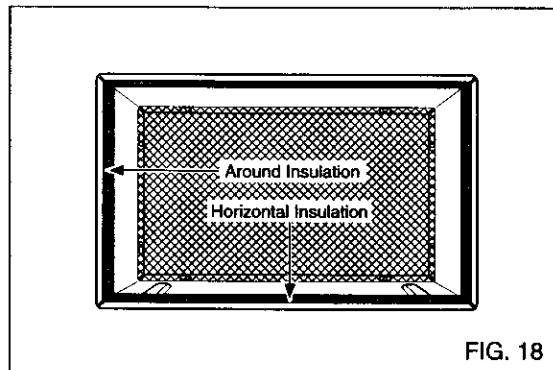


FIG. 18

- 5** If the depth of your existing sleeve is less than or equal to 18", skip to step 7. Otherwise, cut the baffles and the support blocks according to Length "A" in the table below.

Depth "D" of the existing wall sleeve (inches)	Length "A" (inches)
$18 < D \leq 18\text{-}\frac{5}{8}$	$\frac{3}{4}$
$18\text{-}\frac{5}{8} < D \leq 19\text{-}\frac{3}{4}$	$1\text{-}\frac{3}{4}$
$19\text{-}\frac{3}{4} < D \leq 22$	4

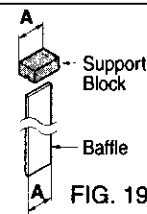


FIG. 19

- 6** Remove the backing from the support blocks and attach them to the inside of the wall sleeve as shown FIG 20. Slide the baffle into slots of the support blocks

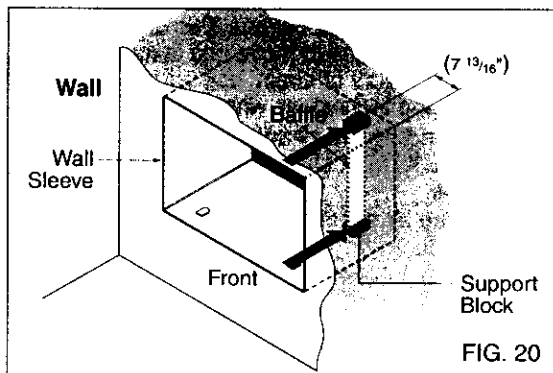
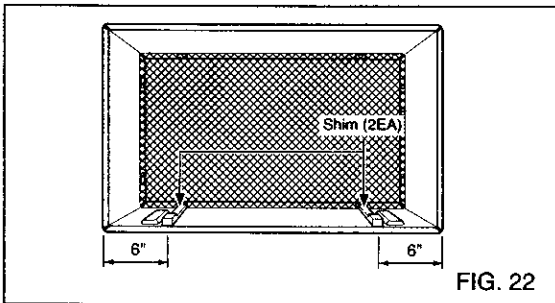
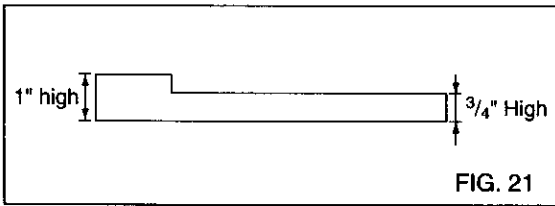


FIG. 20

INSTALLATION

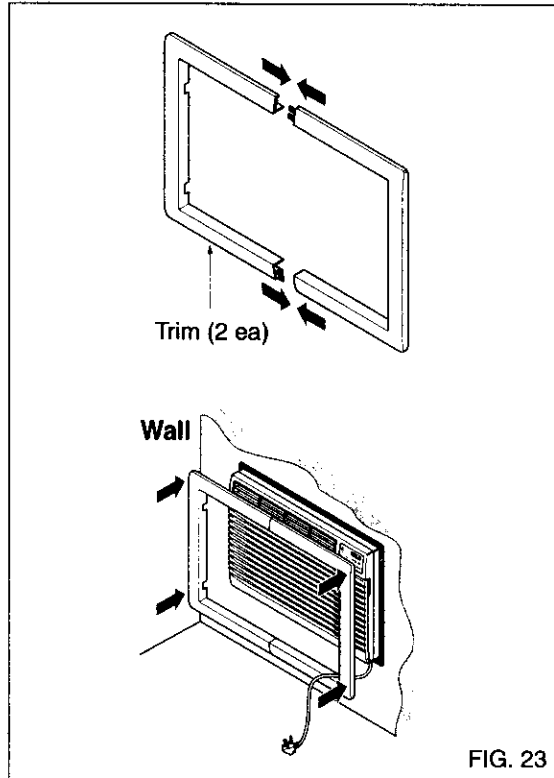
PROCEDURE C

- 7** Remove the backing from the 13" shim strips and attach them as shown below in Fig. 22. The higher portion of shim is to be placed in front of the rib on the base of wall sleeve.



- 8** Install the new unit into the wall sleeve

- 9** To assemble trim, snap the tab of each piece into the slot of the other piece as shown below. Slide trim over the front of the air conditioner until trim is flush with sleeve as shown below.



! CAUTION

- Air conditioners covered in this manual pose an excessive weight hazard. Two or more people are needed to move and install the unit. To prevent injury or strain, use proper lifting and carrying techniques when moving unit.
- When handling the air conditioner, be careful to avoid cuts from sharp metal fins on front and rear coils.
- Make sure air conditioner does not fall during removal.

OPERATION

HOW AND WHY

Your room air conditioner provides the following functions to make hot weather living more comfortable:

- Cools and circulates room air.
- Lowers humidity by removing excess moisture.
- Filters out summertime dust, dirt, and some airborne impurities.

The air conditioner performs these functions by drawing room air through a filter which traps dust and dirt particles. The air then passes over a cooling coil which refrigerates the air and removes excess moisture. The same air is then returned to the room— cooler, drier, and cleaner. Moisture removed from the room air is carried to the outside and evaporated.

Your air conditioner is designed to be easy to operate and to provide plenty of cooling power.

NORMAL SOUNDS FIG. 24

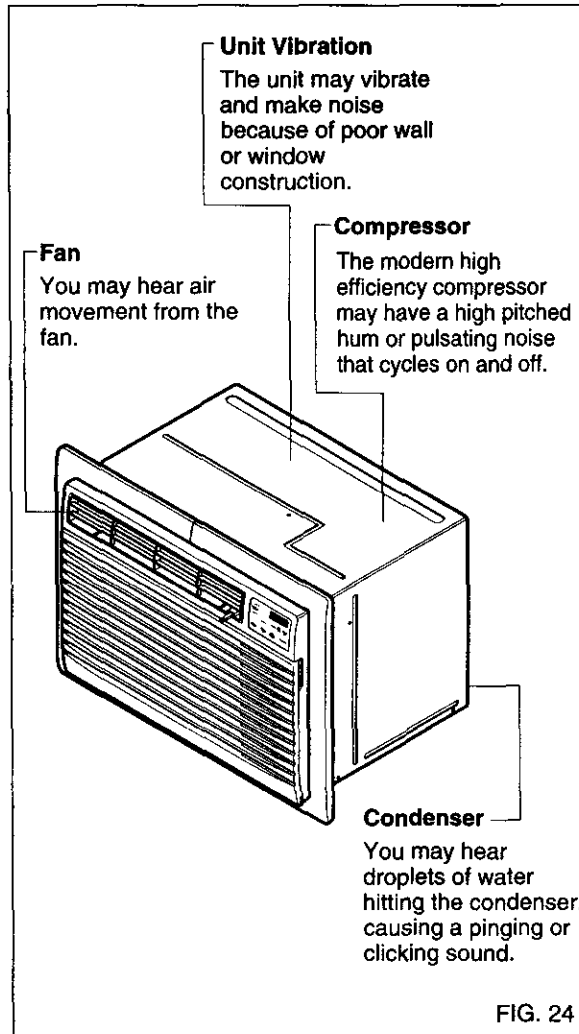
Aside from the regular fan motor and compressor sounds coming from your air conditioner, you will once in a while hear a pinging sound. This is the result of moisture being picked up from the air in the room and thrown against the air conditioner's fan. This is normal and should not be cause for concern. Also, do not be alarmed if you hear a slight hissing or gurgling sound coming from your air conditioner after it is off. These are normal coolant noises.

CAPACITY AND RUNNING TIME

Proper unit size is important in deciding the desired comfort for the area you want to cool. The proper size is determined by the number of square feet in the area to be cooled.

Whenever the heat or humidity load is above normal the air conditioner must run longer and more often to keep the desired temperature you have selected. Under heavy heat load conditions the air conditioner may need to run constantly to keep the temperature you want.

At times using the MED FAN setting to circulate the room air may make it comfortable even though you do not have the air conditioner set to cool the air. This will decrease your cost of use.



OPERATION

FEATURES

THE UNIT

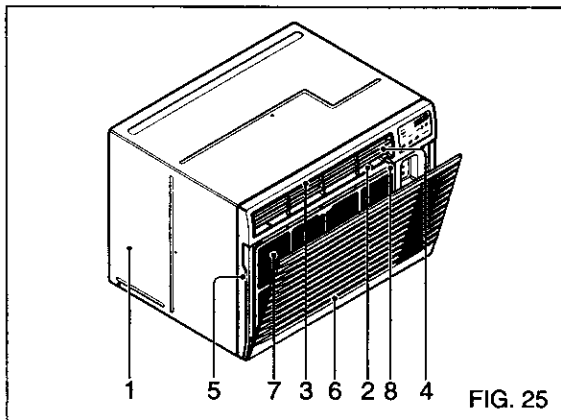


FIG. 25

1. CABINET
2. HORIZONTAL AIR DEFLECTOR
(Vertical Louver)
3. VERTICAL AIR DEFLECTOR
(Horizontal Louver)
4. AIR DISCHARGE
5. FRONT GRILLE
6. INLET GRILLE (Air Intake)
7. AIR FILTER
8. VENT CONTROL

THE SLEEVE AND THE REAR GRILLE

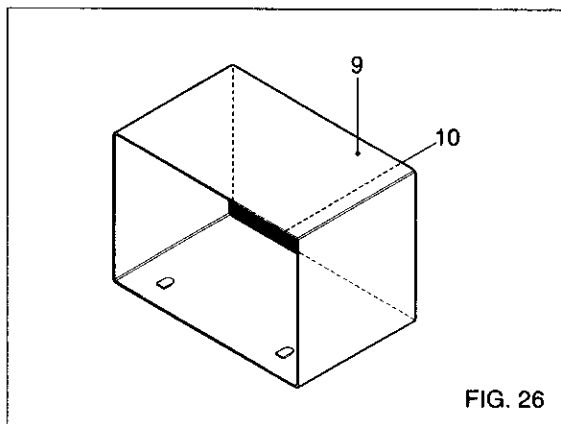


FIG. 26

9. SLEEVE ASSEMBLY
(Including Expanded Aluminum Rear grille)
10. REAR GRILLE
(Expanded Aluminum Rear grille)

USING THE AIR CONDITIONER

⚠ WARNING To reduce the risk of fire, electric shock, or injury to persons, read the important **SAFETY** instructions section before operating this appliance.

To begin operating the air conditioner after installation, follow these steps:

1. Plug in the air conditioner. (To prevent electrical hazards, do not use an extension cord or an adapter plug.)
2. Set the TEMP control to the coolest setting.
3. Set the MODE control at the highest COOL level.
4. Adjust the louvers for comfortable air flow.
5. Once the room has cooled, adjust the TEMP and MODE control to the setting you find most comfortable.

NOTE : If the air conditioner is turned off, wait 3 minutes before restarting. This allows pressure inside the compressor to equalize. Failure to wait 3 minutes before restarting may cause inefficient operation.

If you move the TEMP control to a warmer, then immediately back to a cooler setting, the unit will shut off. Wait 3 minutes before restarting.

Refer to the **AIR CONDITIONER FEATURES** section for other settings.

VENT CONTROL

The Vent Control allows the air conditioner to either recirculate inside air (CLOSE) or exhaust air to the outside (OPEN). (FIG. 27)

- The CLOSE position is used when maximum cooling is desired. It may also be used for air recirculation without cooling when the air conditioner is set in the FAN position.
- The OPEN position removes stale air from the room and exhausts it to the outside. Fresh air is drawn into the room through your home's normal air passages.
- The OPEN or CLOSE position can be used with any fan selection.

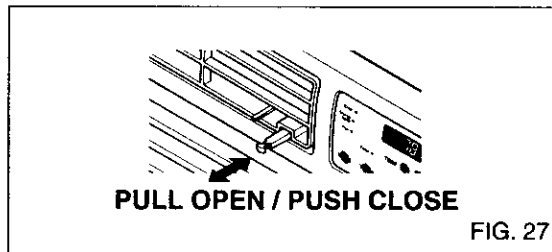
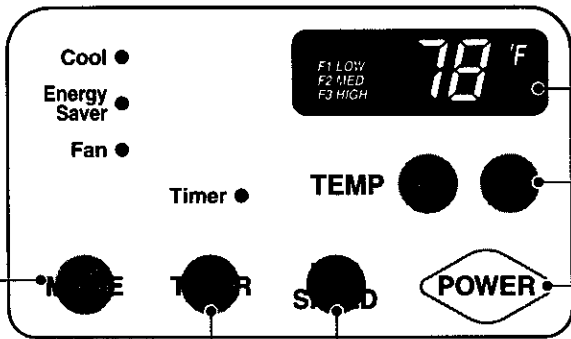


FIG. 27

OPERATION

DISPLAY



The diagram shows a control panel with a digital display showing 78°F. To the left of the display are three indicator lights: Cool, Energy Saver, and Fan. Below the display are two buttons labeled 'TEMP'. To the left of the 'TEMP' buttons is a 'Timer' button. Below the 'Timer' button is a 'MODE' button. To the right of the 'MODE' button is a 'POWER' button. Below the 'POWER' button is a 'FAN SPEED' button. Lines connect these buttons to their respective descriptions on the right. The 'TIMER' section is enclosed in a separate box on the left.

REMOTE CONTROL SIGNAL RECEIVER

TEMPERATURE SETTING

- Use this button to automatically control the temperature of the room. The temperature can be set within a range of 60°F to 86°F by increments of 1°F.

POWER

- To turn the air conditioner ON, push this button. To turn the air conditioner OFF, push the button again.
- This button takes priority over any other button.
- When you first turn it on, the unit is in cool mode, High fan speed, Temperature setting at 72°F.

FAN SPEED

- Every time you push this button, it advances the setting as follows: {High → Low → Med → High}

TIMER

- SHUT-OFF TIME

- You will usually use shut-off time while you sleep.
- With unit running, use Timer to set number of hours until shut-off.
- For your sleeping comfort, once Time is set, the Temperature setting will raise 2°F after 30 min., and 2°F after another 30 min.
- Every time you push Timer button, it advances the Timer setting as follows: 1 Hour → 2 Hours → → 12 Hours maximum.

- START TIME

- With unit not running, use Timer to set number of hours before until starts.
- Every time you push Timer button, it advances the Timer setting as follows: 1 Hour → 2 Hours → → 12 Hours maximum.

MODE

- Every time you push this button, it will shift among COOL, ENERGY SAVER and FAN.
- ENERGY SAVER:
 - The fan stops when the compressor stops cooling. Approximately every 3 minutes the fan will turn on and the unit will check the room air to determine if cooling is needed.

AUTO RESTART

When power is restored after an electrical power failure, the unit will begin to run at its last setting.

OPERATION

REMOTE CONTROL

NOTE: The Remote Control will not operate properly if strong light shines on the sensor window of the Air Conditioner or if there are obstacles between the Remote Control and the Air Conditioner.
Every time you push button, you will hear a beep from the Air Conditioner.

POWER

- To turn the air conditioner ON, push this button. To turn the air conditioner OFF, push the button again. This button takes priority over any other button.
When you first turn it on, the unit is in cool mode, High fan speed, Temperature setting at 72°F.

TEMPERATURE SETTING

- Use this button to automatically control the temperature of the room. The temperature can be set within a range of 60°F to 86°F by increments of 1°F.

FAN SPEED

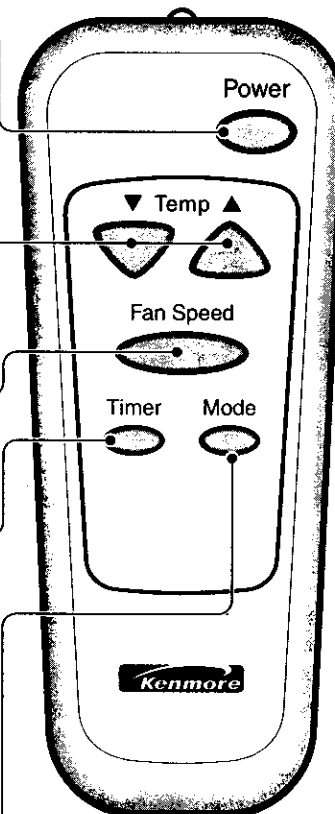
- Every time you push this button it advances the setting as follows:
(High → Low → Med → High)

TIMER

- SHUT-OFF TIME
- You will usually use shut-off time while you sleep.
- With unit running, use Timer to set number of hours until shut-off.
- For your sleeping comfort, once Time is set, the Temperature setting will raise 2°F after 30 min, and after another 30 min.
- Every time you push Timer button, it advances the Timer setting as follows:
1 Hour → 2 Hours → → 12 Hours maximum.
- START TIME
- With unit not running, use Timer to set number of hours before until start.
- Every time you push Timer button, it advances the Timer setting as follows:
1 Hour → 2 Hours → → 12Hours maximum.

MODE

- Every time you push this button, it will shift among COOL, ENERGY SAVER and FAN.
- ENERGY SAVER
- The fan stops when the compressor stops cooling.
Approximately every 3 minutes the fan will turn on and the unit will check the room air to determine if cooling is needed.



OPERATION

INSERTING THE REMOTE CONTROL BATTERIES

1. Remove the cover from the back of the remote controller.
2. Insert two batteries.
 - Be sure that the (+) and (-) directions are correct.
 - Be sure that both batteries are new.
3. Reattach cover.

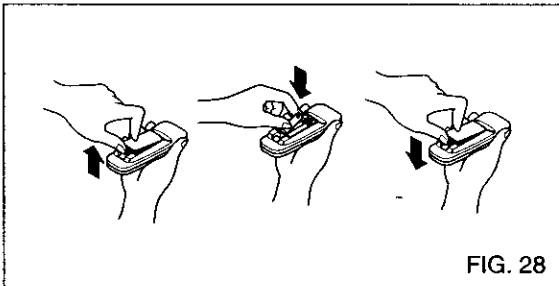


FIG. 28

- In order to prevent discharge, remove the batteries from the remote control if the air conditioner is not going to be used for an extended period of time. Keep the remote control away from extremely hot or humid places.

To maintain optimal operation of the remote control, the remote sensor should not be exposed to direct sunlight.

- The remote control can be mounted on a wall using the mountable holder.

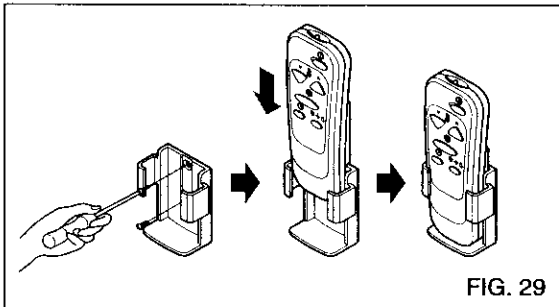


FIG. 29

HORIZONTAL AIR-DIRECTION ADJUSTMENT

- The horizontal air direction is adjusted by moving vertical louver.
- The vertical louver control levers are located in the right and left side of the air discharge.

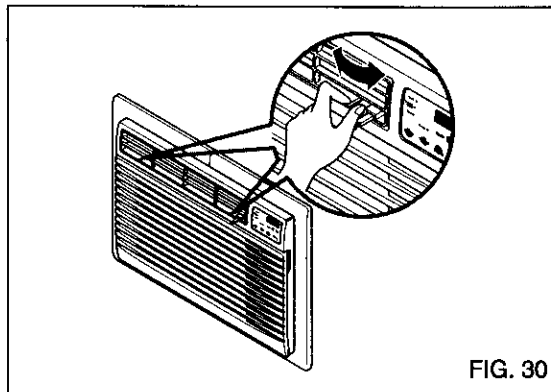


FIG. 30

VERTICAL AIR-DIRECTION ADJUSTMENT

- The vertical air direction is adjusted by moving the horizontal louvers.

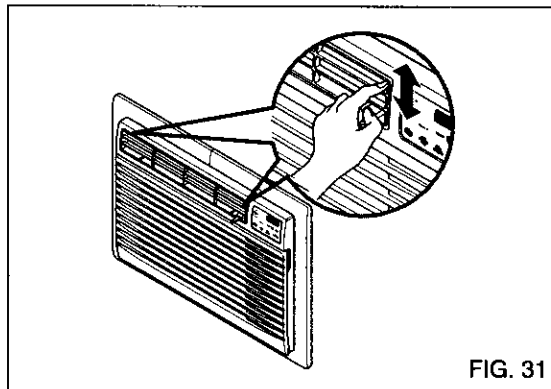


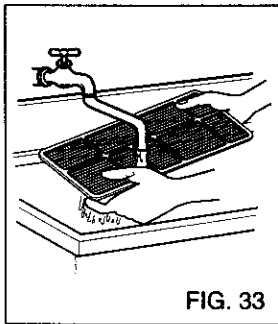
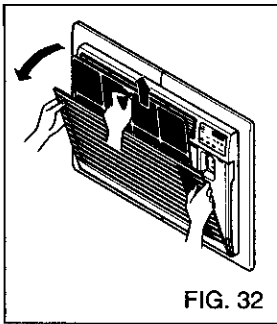
FIG. 31

MAINTENANCE

AIR FILTER CLEANING

The Air Filter will become dirty as it removes dust from the inside air. It should be washed at least every 2 weeks. If the Air Filter remains full of dust, the air flow will decrease and the cooling capacity will be reduced, possibly damaging the unit.

- Pull the inlet grille forward and pull out the air filter. (FIG. 32)
- Wash the Air Filter under the faucet with warm water. Be sure to shake off all the water before replacing the filter. (FIG. 33)

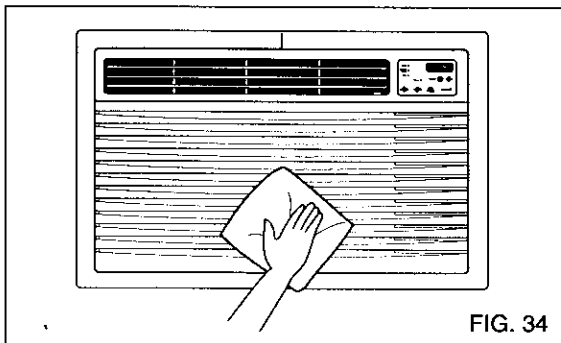


AIR CONDITIONER CLEANING

Clean the front grille and inlet grille by wiping with a cloth dampened in a mild detergent solution.

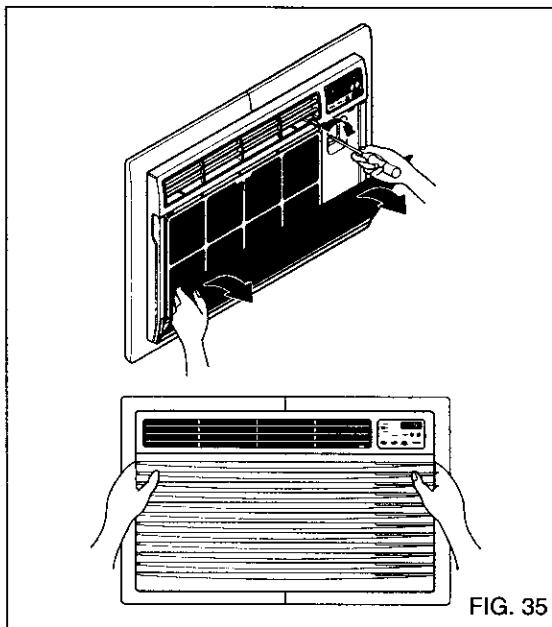
The cabinet may be washed with mild soap or detergent and lukewarm water, then polished with liquid appliance wax.

To ensure continued peak efficiency, the condenser coils (outdoor side of the unit) should be checked periodically and cleaned if they become clogged with soot or dirt from the atmosphere. Brush or vacuum exterior coils to remove debris from fins.



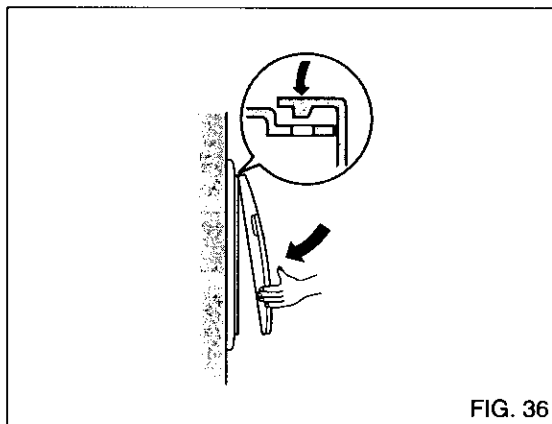
HOW TO REMOVE THE FRONT GRILLE

- Open the inlet grille.
- Remove the screw securing the Front Grille.
- Push the grille up from the bottom and pull the top of the grille away from the case to lift the top tabs out of their slots.



HOW TO REPLACE THE FRONT GRILLE

Attach the front grille to the cabinet by inserting the tabs on the grille into the slots on the front of the cabinet. Push the grille in until it snaps into place.



TROUBLESHOOTING

BEFORE CALLING FOR SERVICE

Check the following list to be sure a service call is really necessary. A quick reference to this manual may help you avoid an unneeded service call.

THE AIR CONDITIONER WILL NOT OPERATE

Check if...

Then...

Wall plug disconnected.	Push plug firmly into wall outlet.
House fuse blown or circuit breaker tripped.	Replace fuse with time delay type or reset circuit breaker.
Power is OFF.	Push the power button.
Unit was turned off and then on too quickly.	Set unit off and wait 3 minutes before restarting.
TEMP Control set warmer than room temperature.	Set TEMP Control to a lower number.

AIR FROM UNIT DOES NOT FEEL COLD ENOUGH.

Check if...

Then...

FAN SPEED set at LOW.	Push FAN SPEED button to set at HI.
TEMP Control set too warm.	Set TEMP Control to a lower temperature.
Room temperature below 70°F (21°C).	Cooling may not occur until room temperature rises above 70°F (21°C).
Temperature sensing tube touching evaporator coil, located behind front grille.	Straighten tube away from evaporator coil.

THE AIR CONDITIONER COOLING, BUT ROOM IS TOO WARM – ICE FORMING ON COOLING COIL BEHIND INLET GRILLE.

Check if...

Then...

Outdoor temperature below 70°F (21°C).	To defrost the coil, set the MODE to FAN, FAN speed to High.
Air filter may be dirty.	Clean air filter. Refer to Maintenance section of owner's manual.
TEMP Control set too low.	To defrost the coil, set the MODE to Cool, Fan speed to high, and the Temp control to a higher temperature.

THE AIR CONDITIONER COOLING, BUT ROOM IS TOO WARM

Check if...

Then...

Dirty air filter – air restricted.	Clean air filter. Refer to Maintenance section of owner's manual.
TEMP Control set too warm.	Set TEMP Control to a lower temperature.
Front of unit is blocked by drapes, blinds, furniture, etc. Air distribution is restricted.	Clear blockage in front of unit.
Doors, windows, registers, etc. open. Cold air escapes.	Close doors, windows, registers, etc.
Unit recently turned on in hot room.	Allow additional time to remove stored heat from walls, ceiling, floor, and furniture.

THE AIR CONDITIONER TURNS ON AND OFF RAPIDLY.

Check if...

Then...

Outside temperature is extremely hot.	Set FAN SPEED on HI to bring air past cooling coils faster.
---------------------------------------	-------------------------------------------------------------

NOISE WHEN UNIT IS COOLING.

Check if...

Then...

Sound of fan hitting water – from the moisture removal system.	This is normal when humidity is high. Close doors, windows, and registers.
Window vibration – poor installation.	Refer to installation instructions or check with installer.

WATER DRIPPING INSIDE ROOM WHEN UNIT IS COOLING.

Check if...

Then...

The air conditioner is improperly installed.	Tilt air conditioner slightly to the outside to allow water drainage. Refer to installation instructions or check with installer.
----------------------------------------------	-----------------------------------------------------------------------------------------------------------------------------------

WATER DRIPPING OUTSIDE WHEN UNIT IS COOLING.

Check if...

Then...

The unit is removing large quantities of moisture from humid room.	This is normal during excessively humid days.
--------------------------------------------------------------------	-----------------------------------------------

ÍNDICE

ÍNDICE	20	Características	31
GARANTÍA	20	Uso del aparato de aire acondicionado.....	31
SEGURIDAD	21	Características del aparato de aire acondicionado.....	32
Instrucciones importantes de seguridad	21	MANTENIMIENTO	35
REQUISITOS ELÉCTRICOS	22	Limpieza del filtro de aire	35
INSTALACIÓN	23	Limpieza del aparato de aire acondicionado.....	35
Requisitos de instalación	23	Cómo extraer la rejilla frontal	35
Instalación	24	Cómo volver a colocar la rejilla frontal ...	35
Procedimiento A.....	25	RESOLUCIÓN DE PROBLEMAS	36
Procedimiento B.....	26	Antes de llamar al servicio técnico.....	36
Procedimiento C.....	28	ACUERDOS DE PROTECCIÓN ESPECIALIZADA	39
FUNCIONAMIENTO	30	NÚMEROS DE SERVICIO TÉCNICO	Contraportada
Cómo y por qué.....	30		
Sonidos normales	30		
Capacidad y tiempo de funcionamiento	30		

GARANTÍA

GARANTÍA COMPLETA DE UN AÑO DEL APARATO DE AIRE ACONDICIONADO DE PARED

Durante un año, a contar a partir de la fecha de compra, cuando este aparato de aire acondicionado funcione para el enfriamiento normal de una habitación y reciba mantenimiento, todo ello según las instrucciones de este Manual del propietario, Sears reparará este aparato de aire acondicionado, de forma gratuita, si tuviera algún defecto de fabricación o materiales.

GARANTÍA COMPLETA DE CINCO AÑOS DEL SISTEMA SELLADO DE REFRIGERACIÓN

Durante cinco años a contar a partir de la fecha de compra, cuando este aparato de aire acondicionado funcione para el enfriamiento normal de una habitación y reciba mantenimiento, todo ello según las instrucciones de este Manual del propietario, Sears reparará el sistema sellado de refrigeración (que consiste en líquido de refrigeración, tubos de conexión y compresor), de forma gratuita, si tuviera algún defecto de fabricación o materiales.

EL SERVICIO DE GARANTÍA PUEDE CONTACTARSE EN EL SERVICIO DE ATENCIÓN AL CLIENTE DE SEARS EN EL 1-800-4-MY-HOME®.

La cobertura de esta garantía se aplica solamente a aparatos de aire acondicionado utilizados de forma no comercial, en casas particulares.

Esta garantía se aplica sólo durante el uso de este producto en los Estados Unidos.

Esta garantía le concede derechos legales específicos y puede que usted tenga otros derechos adicionales que varían según el estado.

Sears, Roebuck and Co., D/817WA, Hoffman Estates, IL 60179 EE. UU.

SEGURIDAD

INSTRUCCIONES IMPORTANTES DE SEGURIDAD

Las instrucciones de seguridad que se indican abajo le dirán cómo utilizar su aparato de aire acondicionado para evitar daños a sí mismo y daños a su APARATO DE AIRE ACONDICIONADO.

⚠️ ADVERTENCIA PARA SU SEGURIDAD

No almacene ni utilice gasolina ni otros líquidos ni gases inflamables cerca de éste u otro electrodoméstico. Lea las etiquetas de los productos para conocer su inflamabilidad y otras advertencias.

⚠️ ADVERTENCIA EVITAR ACCIDENTES

Para reducir el riesgo de incendio, electrocución o heridas a personas al utilizar su aparato de aire acondicionado, siga las precauciones básicas, incluyendo las siguientes:

- Asegúrese de que el servicio eléctrico es adecuado para el modelo que ha escogido.
- Si el aire acondicionado va a instalarse en una ventana, sería conveniente que limpiara primero ambos lados del cristal. Si la ventana tiene tres guías de deslizamiento, con un panel pantalla incluido, puede que desee extraer completamente la pantalla antes de la instalación.
- Asegúrese de que el aparato de aire acondicionado se ha instalado de modo seguro y correcto según las instrucciones en este Manual. Guarde este manual y las instrucciones de instalación para su posible uso futuro para extraer o volver a instalar esta unidad.
- Utilice guantes cuando maneje el aparato de aire acondicionado. Preste atención para evitar cortes de las afiladas aletas de metal en las bobinas frontal y posterior.

⚠️ ADVERTENCIA INFORMACIÓN ELÉCTRICA

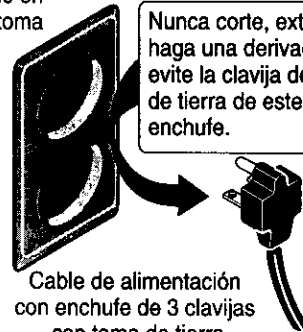
El valor nominal eléctrico completo de su nuevo aparato de aire acondicionado se especifica en su etiqueta identificativa. Consulte el valor nominal al comprobar los requisitos eléctricos.

- Asegúrese de que el aparato de aire acondicionado tiene una toma de tierra adecuada. Para reducir al mínimo el riesgo de electrocución y de incendio, es importante tener una toma de tierra adecuada. El cable de alimentación está equipado con un enchufe de tres clavijas con toma a tierra para proteger contra electrocución.
- Su aparato de aire acondicionado debe estar enchufado a un enchufe de pared con una toma de tierra adecuada. Si el enchufe que quiere utilizar no tiene una toma de tierra adecuada o no está protegido por un fusible temporizado o un interruptor de corriente, haga que un electricista cualificado instale el enchufe apropiado.
- No haga funcionar el aparato de aire acondicionado con la lámina de embalaje en la parte posterior del alojamiento o con la cinta azul y las esquinas del aparato de aire acondicionado. Esto podría tener como consecuencia la producción de daños mecánicos al aparato de aire acondicionado.
- No utilice un cable extensor ni un enchufe adaptador.

⚠️ ADVERTENCIA Evite los peligros de incendio o de electrocución.

No utilice un cable extensor ni un enchufe adaptador.
No quite ninguna clavija del cable de alimentación.

Receptáculo en pared con toma de tierra



Cable de alimentación con enchufe de 3 clavijas con toma de tierra

IDEAS PARA AHORRAR ENERGÍA

- La capacidad del aparato de aire acondicionado debe ser adecuada al tamaño de la habitación para un funcionamiento eficaz y satisfactorio.
- Instale el aparato de aire acondicionado en el lado de su hogar a la sombra. Una ventana que mira al norte es la mejor porque se encuentra a la sombra la mayor parte del día.
- No bloquee el flujo del aire en el interior con persianas, cortinas o muebles, ni en el exterior con arbustos, cercas u otros edificios.
- Cierre las aperturas en suelo y ventanas y el tiro de la chimenea para que el aire frío no salga por la chimenea ni por los conductos.
- Mantenga cerradas las persianas y cortinas de otras ventanas durante la parte más soleada del día.
- Limpie el filtro de aire según se recomienda en la sección de MANTENIMIENTO de este manual.
- El aislamiento adecuado y la preparación de su hogar para las condiciones atmosféricas mantendrán el aire caliente en el exterior y el aire frío en el interior.
- La existencia de sombra en el exterior de la casa con árboles, plantas o toldos reduce la carga de trabajo del aparato de aire acondicionado.
- Haga funcionar los electrodomésticos que produzcan calor, como cocinas, lavadoras, secadoras y lavavajillas, durante la parte más fría del día.

REQUISITOS ELÉCTRICOS

CUMPLA TODAS LAS NORMAS Y CÓDIGOS LOCALES

NUNCA ELIMINE LA CLAVIJA DE TOMA DE TIERRA DEL CABLE DE ALIMENTACIÓN. LA TOMA DE TIERRA ELÉCTRICA EN ESTE ELECTRODOMÉSTICO ES NECESARIA.


Se necesita una alimentación eléctrica de 208/230-volt 60 Hz, sólo de CA, con fusible de 15A y con una toma de tierra adecuada. Se recomienda también que haya un fusible o interruptor temporizado. Utilice un circuito eléctrico dedicado sólo a este aparato.

NO UTILICE UN CABLE EXTENSOR.

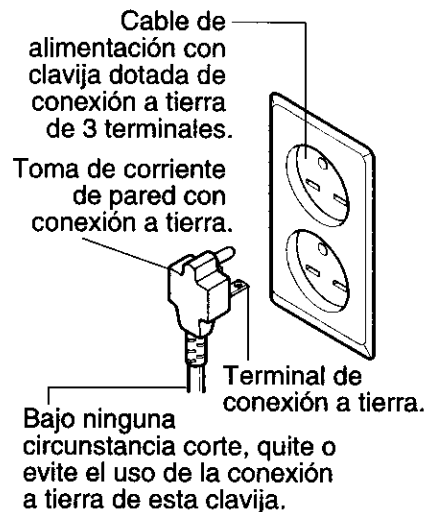
MÉTODO RECOMENDADO DE TOMA DE TIERRA

Para su seguridad personal, este aparato debe tener una toma de tierra. Este aparato tiene un cable de alimentación con un enchufe de 3 clavijas, una de ellas para la toma de tierra. Para reducir al mínimo el riesgo de electrocución, el cable debe estar enchufado en un receptáculo de pared con toma de tierra de acuerdo con la última edición del Código nacional sobre electricidad (ANSI/NFPA 70) y siguiendo todas las normas y directrices locales. Si no está disponible un receptáculo de pared, es responsabilidad y obligación personal del cliente hacer que un electricista cualificado instale un receptáculo en la pared de 3 clavijas con una toma de tierra adecuada.

⚠ ADVERTENCIA



Riesgo de electrocución
Enchufe en una toma de 3 clavijas con toma de tierra. No elimine la clavija de toma de tierra. No utilice un adaptador.
No utilice un cable extensor.
No seguir estas instrucciones puede tener como consecuencia la muerte, un incendio o electrocución.



INSTALACIÓN

Extraiga la lámina de embalaje del alojamiento del aparato de aire acondicionado y la esquinera y cinta azul del aparato de aire acondicionado.

REQUISITOS DE INSTALACIÓN

Si utiliza un alojamiento de pared existente, debe tomar sus medidas.

Instale el nuevo aparato de aire acondicionado según estas instrucciones de instalación para conseguir el mejor rendimiento. Todos los alojamientos de pared utilizados para montar el nuevo aparato de aire acondicionado deben tener su estructura en buenas condiciones y tener una rejilla posterior para fijar con seguridad el nuevo aparato de aire acondicionado. (FIG.1)

Con el alojamiento Kenmore, puede mantener el máximo rendimiento de su nuevo aparato de aire acondicionado. (FIG.2)

EQUIPO DE INSTALACIÓN

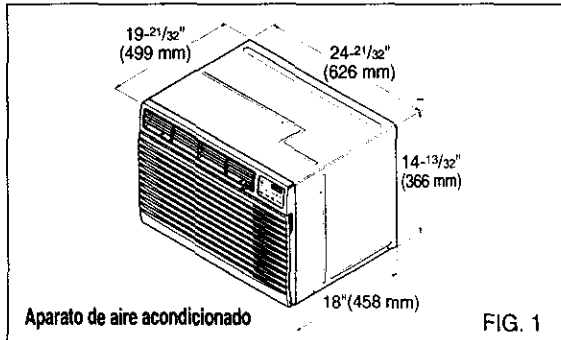
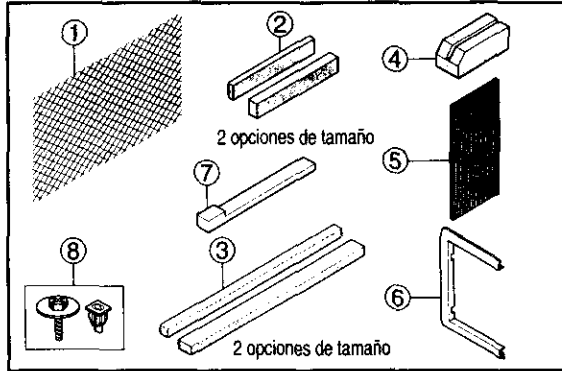


FIG. 1

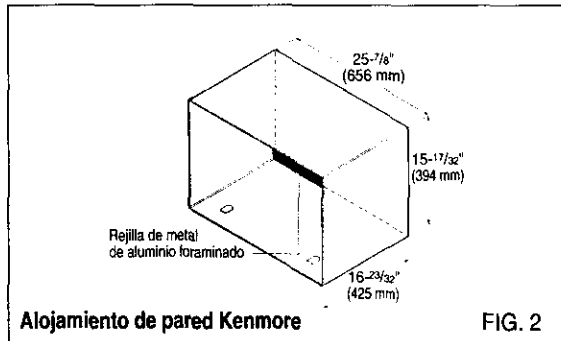


FIG. 2

SERVICIO ELÉCTRICO

Compruebe el servicio eléctrico disponible. La alimentación disponible debe coincidir con la que se muestra en la etiqueta identificativa de la unidad (que se encuentra en el lado izquierdo del alojamiento).

Todos los modelos están equipados con un enchufe de servicio de 3 clavijas con una toma de tierra positiva segura. No modifique el enchufe de ninguna manera. No utilice un enchufe adaptador. Si su toma de corriente en la pared no coincide con el enchufe, llame a un electricista cualificado para realizar los cambios necesarios. GUARDE LA CAJA para el almacenamiento y esta GUÍA DEL PROPIETARIO para futura referencia. La caja es la mejor manera de almacenar la unidad durante el invierno o cuando no se utilice.

ARTÍCULO	NOMBRE DE LAS PIEZAS	CANTIDAD
①	REJILLA DE PLÁSTICO	1
②	TIRAS DE AISLAMIENTO HORIZONTAL	2
③	TIRAS DE AISLAMIENTO LATERAL	2
④	BLOQUE DE SOPORTE	2
⑤	DEFLECTOR	1
⑥	BASTIDOR DE REBORDE	2
⑦	CALZO PARA AJUSTE	2
⑧	TUERCAS DE PLÁSTICO Y TORNILLOS DE ARANDELA	4



CUIDADO

Para evitar peligro de heridas personales, daños a la propiedad o al producto debido al peso de este aparato y a los bordes afilados que pueden estar expuestos:

- Los aparatos de aire acondicionado de los que trata este manual constituyen un peligro de peso excesivo. Se necesitan dos o más personas para mover e instalar la unidad. Para evitar heridas o problemas musculares, utilice técnicas adecuadas para elevar y desplazar la unidad.
- Revise cuidadosamente la ubicación donde se instalará el aparato de aire acondicionado. Asegúrese de que puede soportar el peso de la unidad durante un periodo de tiempo prolongado.
- Maneje con cuidado el aparato de aire acondicionado. Lleve guantes protectores siempre que levante o desplace la unidad. EVITE las aletas afiladas de metal de las bobinas frontal y posterior.
- Asegúrese de que el aparato de aire acondicionado no cae al suelo durante la instalación.

HERRAMIENTAS NECESARIAS:

- Guantes ajustados
- Destornillador estándar
- Destornillador Phillips
- Cuchillo afilado
- Cinta para medir
- Llave ajustable o de extremo abierto de 0,96 cm (3/8 de pulgada)
- Llave articulada
- Llave de cabeza hexagonal de 0,64 cm (1/4 de pulgada) y trinquete
- Taladro eléctrico
- Broca de taladro de 0,64 cm (1/4 de pulgada)

ESPAÑOL

INSTALACIÓN

INSTALACIÓN

⚠ ADVERTENCIA

Se recomienda encarecidamente la extracción del antiguo alojamiento en la pared y la instalación de un nuevo alojamiento de pared KENMORE.

Si decide mantener el alojamiento de pared existente, tendrá que ajustar la dirección de la rejilla en la parte posterior de la ilustración del alojamiento de pared. Se recomienda el uso de tenazas. Si NO ajusta la dirección, corre el riesgo de un rendimiento pobre o de fallo del producto. Este hecho no está cubierto bajo los términos de la garantía de KENMORE.

- Si decide mantener el alojamiento de pared existente, tendrá que ajustar la dirección de la rejilla en la parte posterior de la ilustración del alojamiento de pared. Se recomienda el uso de tenazas. Si NO ajusta la dirección, corre el riesgo de un rendimiento pobre o de fallo del producto. Este hecho no está cubierto bajo los términos de la garantía de KENMORE.

ARTÍCULOS EN EL EQUIPO DE INSTALACIÓN

Puede que no necesite todas las partes del equipo de instalación. Tire las piezas que no utilice.

ARTÍCULO		Cantidad
Rejilla de plástico	3,81 x 2,54 x 210,03 cm (26 ³ / ₄ x 16 ¹ / ₂)	1
Tiras de aislamiento horizontal	3,5 x 1,52 x 69,03 cm (1 ³ / ₈ x 3/8 x 27 ¹ / ₁₆)	1
	3,5 x 3,5 x 69,03 cm (1 ³ / ₈ x 1 ³ / ₈ x 27 ¹ / ₁₆)	1
Tiras de aislamiento lateral	3,5 x 2,03 x 153,035 (1 ³ / ₈ x 3/4 x 61 ¹ / ₂)	1
	3,5 x 3,5 x 153,035 (1 ³ / ₈ x 1 ³ / ₈ x 61 ¹ / ₂)	1
Bloque de soporte	8,89 x 3,5 x 10,94 cm (1 ³ / ₄ x 1 ³ / ₈ x 4 ⁵ / ₁₆)	2
Deflector	35,56 x 11,43 x 0,33 (14 x 4 ¹ / ₂ x 1/8)	1
Calzo para ajuste	33,02 x 2,54 x 2,03 (13 x 1 x 3/4)	2
Bastidor de reborde		2
Tomillo de arandela		4
Tuercas (plástico)		4

CÓMO INSTALARLO

- 1 Identifique el alojamiento existente en la pared antes de instalar la unidad de la lista que se muestra a continuación

Marca	Medidas del alojamiento de la pared (pulgadas y centímetros)		
	Anchura	Altura	Profundidad
White-Westinghouse Frigidaire Carrier (Serie 52F)	64,77 (25-1/2)	38,73 (15-1/4)	40,64, 44,45, 55,88 (16, 17-1/2)
General Electric/Hotpoint	66,04(26)	39,70(15-5/8)	42,87(16-7/8)
Whirlpool	65,48(25-7/8)	41,91(16-1/2)	43,51 o 58,42 (17-1/8 o 23)
Fedders/Emerson	68,58(27)	42,54(16-3/4)	42,54 o 50,16 (16-3/4 o 19-3/4)
Sears/Kenmore	65,73 (25-7/8)	39,44 (15-17/32)	42,46 (16-23/32)
Emerson/Fedders	67,94 (26-3/4)	40 (15-3/4)	38,1 (15)
Carrier (Serie 51S)	65,40 (25-3/4)	42,87 (16-7/8)	47,32 (18-5/8)
Friedrich	68,58 (27)	42,54 (16-3/4)	42,54 (16-3/4)

NOTA: Todos los alojamientos de pared utilizados para montar el nuevo aparato de aire acondicionado deben estar en buenas condiciones estructurales y tener una rejilla posterior que se una con seguridad al alojamiento o un flanco posterior que sirva de tope al aparato de aire acondicionado,

- 2 Extraiga el antiguo aparato de aire acondicionado del alojamiento de pared ya existente.
- 3 Limpie el interior del alojamiento de pared ya existente. (No toque los sellados.)
- 4 El alojamiento de pared debe estar bien fijado a la pared antes de instalar el aparato de aire acondicionado. Si fuera necesario, utilice los clavos o tornillos para fijar el alojamiento a la pared.
- Vuelva a pintar el alojamiento si fuera necesario.
- 5 Prepare el alojamiento de pared para la instalación de la unidad. Si piensa utilizar el alojamiento ya existente, y no es de la marca Kenmore, utilice los procedimientos B o C que se explican a continuación.

Procedimiento	Marca	Profundidad
A	Sears/Kenmore	42,44 (16-23/32)
B	White-Westinghouse Frigidaire Carrier (52F series)	40,64, 44,45 o 55,88 (16, 17-1/2 o 22)
	General Electric /Hotpoint	42,87 (16-7/8)
	Whirlpool	43,5 o 58,42 (17-1/8 o 23)
	Carrier (51S series)	47,29 (18-5/8)
C	Fedders/Emerson	42,54 o 50,16 (16-3/4 o 19-3/4)
	Emerson/Fedders	38,1 (15)
	Friedrich	42,54 (16-3/4)

- 6 Instale la nueva unidad en el alojamiento de la pared.

CUIDADO: Cuando la instalación esté completa, la nueva unidad DEBE tener una inclinación hacia atrás según se muestra en la ilustración.

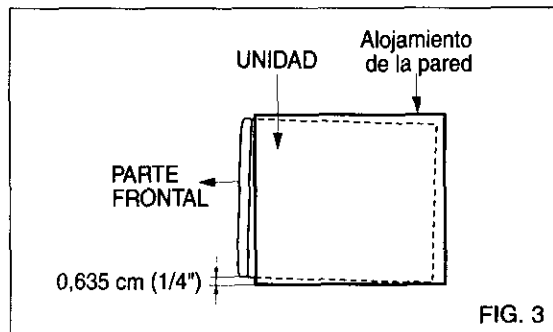


FIG. 3

INSTALACIÓN

PROCEDIMIENTO A

1 Si está utilizando el nuevo alojamiento que acompaña a su unidad, pase directamente al paso 3. En caso contrario, instale la rejilla plástica del equipo. Corte la rejilla de plástico a 64,77 cm (25-1/2) de ancho y 38,74 cm (15-1/4) de alto. Coloque la rejilla de plástico en el interior del alojamiento de pared, en el flanco posterior.

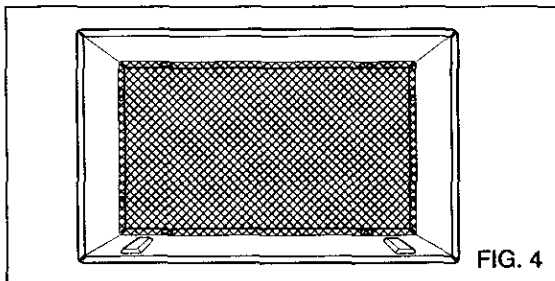


FIG. 4

2 Apriete los 4 tornillos de arandela para fijar la rejilla al alojamiento de pared. Si necesita tuercas de plástico para montar la rejilla de plástico en el interior del alojamiento, hay tuercas de plástico en el equipo de instalación. Las tuercas se instalan desde el interior del alojamiento y se introducen apretándolas en los orificios cuadrados de los flancos traseros.

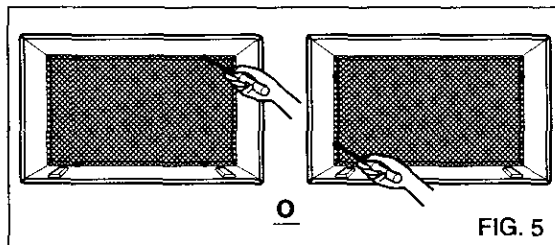


FIG. 5

3 Extraiga la parte posterior de la tira de Aislamiento horizontal de 3,5 x 0,96 x 69,06 cm (13/8 x 3/5 x 273/16) y fíjela a la parte inferior interna del alojamiento según se muestra abajo. Extraiga la parte posterior de la tira de Aislamiento lateral de 3,5 x 1,9 x 156,21 cm (13/8 x 3/4 x 611/2) y fíjela al interior del alojamiento según se muestra abajo.

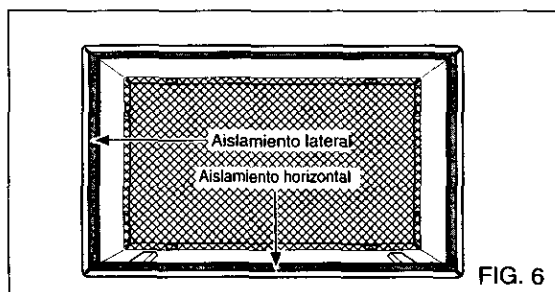


FIG. 6

4 Instale la nueva unidad en el alojamiento de la pared.

5 Para montar el reborde, inserte el saliente de cada pieza en la ranura de la otra pieza según se muestra abajo. Deslice el reborde sobre la parte frontal del aparato de aire acondicionado hasta que el reborde esté unido a paño con el alojamiento según se muestra a continuación.

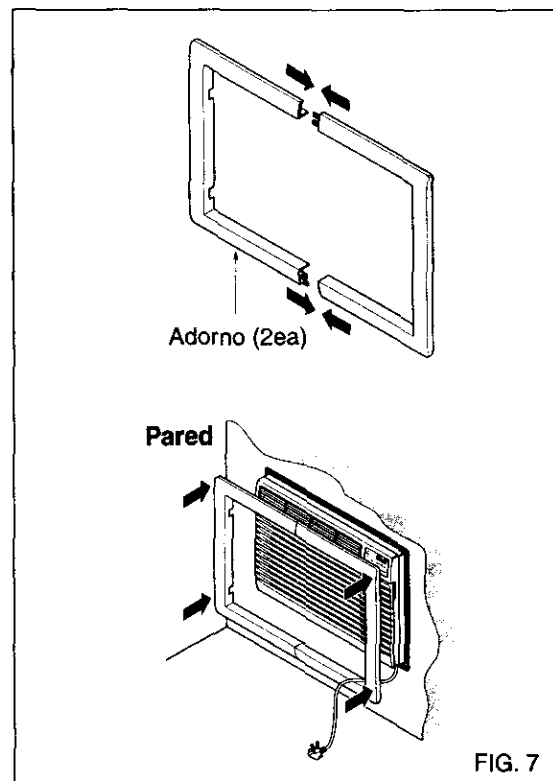


FIG. 7

⚠ CUIDADO

- Los aparatos de aire acondicionado de los que trata este manual constituyen un peligro de peso excesivo. Se necesitan dos o más personas para mover e instalar la unidad. Para evitar heridas o problemas musculares, utilice técnicas adecuadas para elevar y desplazar la unidad.
- Al manejar el aparato de aire acondicionado, tenga cuidado de evitar cortes de las aletas afiladas de metal en las bobinas frontal y trasera.
- Asegúrese de que el aparato de aire acondicionado no se cae durante la instalación.

ESPAÑOL

INSTALACIÓN

PROCEDIMIENTO B

- 1** Coloque la dirección de la rejilla en la parte posterior del alojamiento de la pared en un ángulo de 60° según se muestra en la FIG 8. Se recomienda el uso de tenazas.

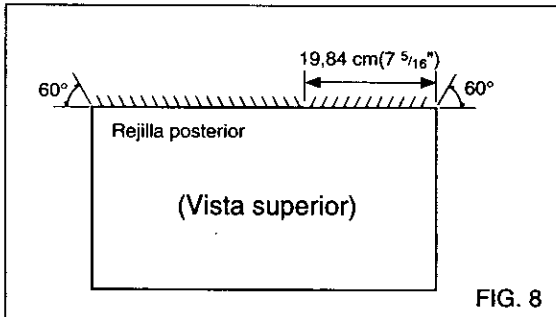
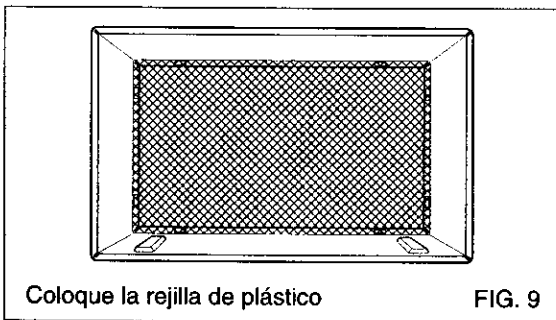


FIG. 8

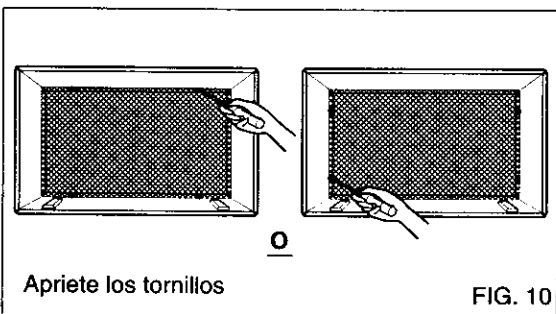
- 2** Si el alojamiento de pared está ya equipado con una rejilla trasera, pase directamente al paso 4. Si el alojamiento de la pared no tiene una rejilla posterior ni un panel con lamas, instale la rejilla de plástico del equipo de instalación. Corte la rejilla de plástico a unas medidas de 64,77 cm (25-1/2) de ancho y 38,74 cm (15-1/4) de alto. Coloque la rejilla de plástico en el interior del alojamiento de pared en el flanco posterior.



Coloque la rejilla de plástico

FIG. 9

- 3** Cuando el alojamiento de la pared tiene una rejilla posterior de panel con lamas, salte al paso 3 y omita el paso 4. Coloque la rejilla de plástico en el interior del alojamiento de pared en el flanco posterior.



Apriete los tornillos

FIG. 10

- 4** Extraiga la parte posterior de la tira de Aislamiento horizontal de 3,5 x 1,60 x 69,06 cm (1 3/8 x 5/8 x 27 3/16) y fíjela a la parte inferior interna del alojamiento según se muestra abajo. Extraiga la parte posterior de la tira de Aislamiento lateral de 3,5 x 1,9 x 156,21 (1 3/8 x 3/4 x 61 1/2) y fíjela al interior del alojamiento según se muestra abajo.

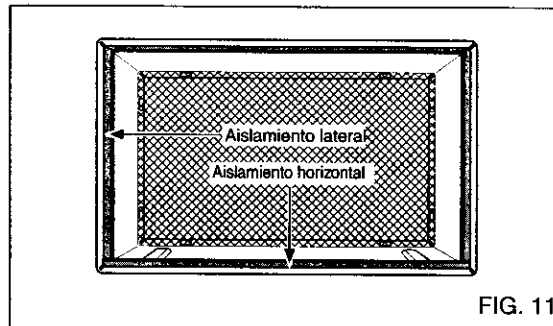


FIG. 11

- 5** Cuando la profundidad del alojamiento existente es igual o menor a 45,72 cm (18 pulgadas), pase directamente al paso 7. En caso contrario, corte los deflectores y los bloques de soporte según la longitud "A" de la tabla que se muestra abajo.

Profundidad "D" del alojamiento de pared ya existente (pulgadas)	Longitud "A" (pulgadas)
$18 < D \leq 18\text{-}5/8$	$3/4$
$18\text{-}5/8 < D \leq 19\text{-}3/4$	$1\text{-}3/4$
$19\text{-}3/4 < D \leq 22$	4

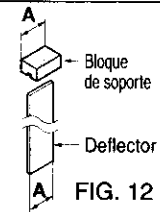


FIG. 12

- 6** Extraiga la parte posterior de los bloques de soporte y fíjelos en el interior del alojamiento de la pared según se muestra en la FIG 9. Deslice el deflector en las ranuras de los bloques de soporte.

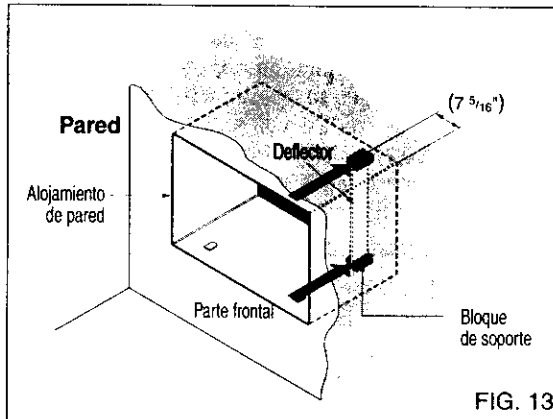


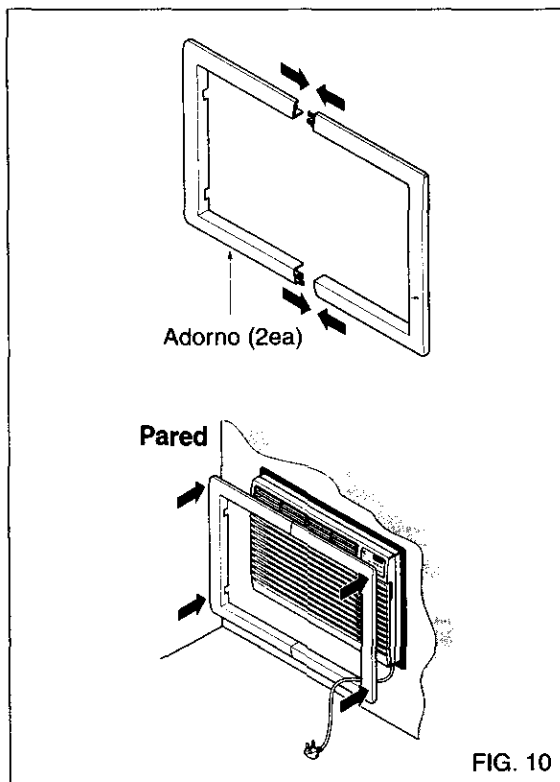
FIG. 13

- 7** Instale la nueva unidad en el alojamiento de la pared.

INSTALACIÓN

PROCEDIMIENTO B

- 8** Para montar el reborde, inserte el saliente de cada pieza en la ranura de la otra pieza según se muestra abajo. Deslice el reborde sobre la parte frontal del aparato de aire acondicionado hasta que el reborde esté unido a paño con el alojamiento según se muestra a continuación.



! CUIDADO

- Los aparatos de aire acondicionado de los que trata este manual constituyen un peligro de peso excesivo. Se necesitan dos o más personas para mover e instalar la unidad. Para evitar heridas o problemas musculares, utilice técnicas adecuadas para elevar y desplazar la unidad.
- Al manejar el aparato de aire acondicionado, tenga cuidado de evitar cortes de las aletas afiladas de metal en las bobinas frontal y trasera.
- Asegúrese de que el aparato de aire acondicionado no cae al suelo durante la instalación.

INSTALACIÓN

PROCEDIMIENTO C

- 1** Coloque la dirección de la rejilla en la parte posterior del alojamiento de la pared en un ángulo de 60° según se muestra en la FIG 15. Se recomienda el uso de tenazas.

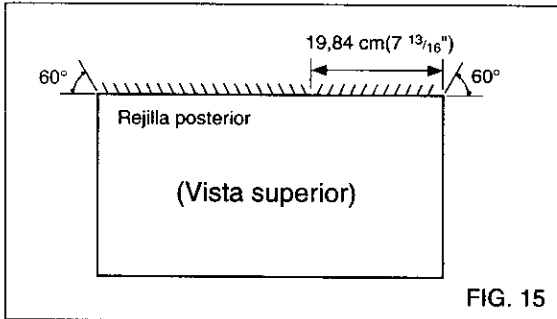
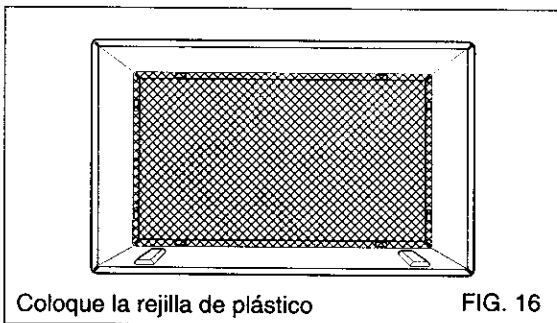


FIG. 15

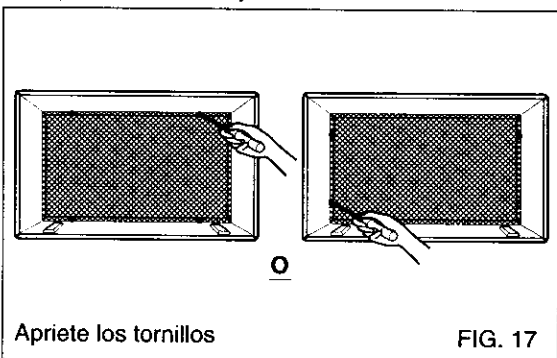
- 2** Si el alojamiento de la pared no tiene una rejilla posterior o un panel con lamas, instale la rejilla de plástico del equipo de instalación. Corte la rejilla de plástico a unas medidas de 67,31 cm (26-1/2) de ancho y 39,37 cm (15-1/2) de alto.



Coloque la rejilla de plástico

FIG. 16

- 3** Cuando la profundidad del alojamiento existente es igual o menor a 45,72 cm (18 pulgadas), pase directamente al paso 7. Corte los deflectores y los bloques de soporte según la longitud "A" de la tabla que se muestra abajo.



Apriete los tornillos

FIG. 17

- 4** Extraiga la parte posterior de la tira de Aislamiento horizontal de 3,5 x 3,5 x 69,06 cm (13/8 x 13/8 x 273/16) y fíjela a la parte inferior interna del alojamiento según se muestra abajo. Extraiga la parte posterior de la tira de Aislamiento lateral de 3,5 x 3,5 x 156,21 cm (13/8 x 13/8 x 611/2) y fíjela al interior frontal del alojamiento según se muestra abajo.

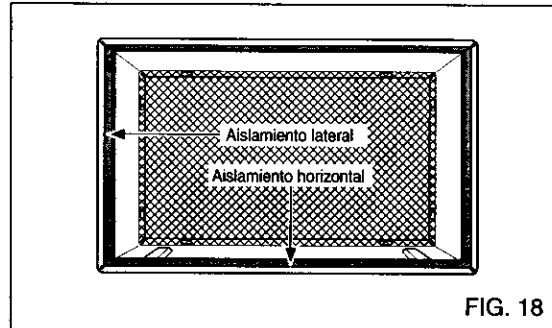


FIG. 18

- 5** Cuando la profundidad del alojamiento existente es igual o menor a 45,72 cm (18 pulgadas), pase directamente al paso 7. De otra manera, corte los desviadores y los bloques del soporte de acuerdo a la longitud "A" en el cuadro siguiente.

Profundidad "D" del alojamiento de pared ya existente (pulgadas)	Longitud "A" (pulgadas)
$18 < D \leq 18\text{-}5/8$	$3/4$
$18\text{-}5/8 < D \leq 19\text{-}3/4$	$1\text{-}3/4$
$19\text{-}3/4 < D \leq 22$	4

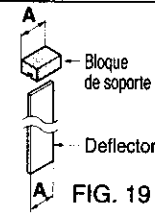


FIG. 19

- 6** Extraiga la parte posterior de los bloques de soporte y fíjelos al interior del alojamiento de la pared según se muestra en la FIG 20. Deslice el deflector en las ranuras de los bloques de soporte.

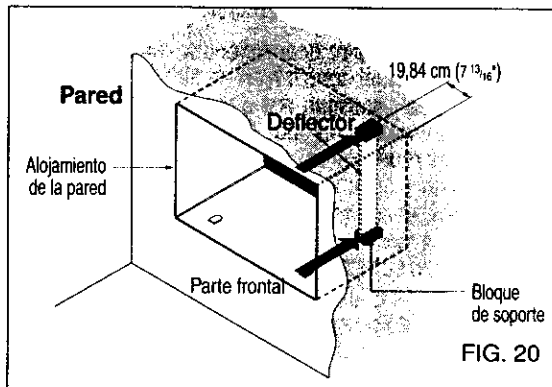
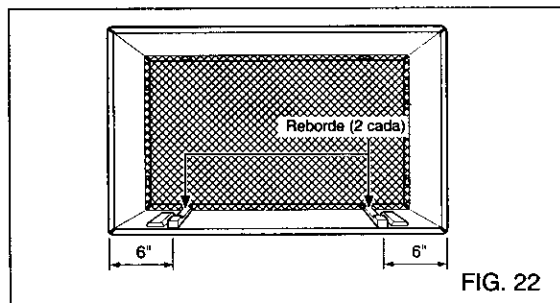
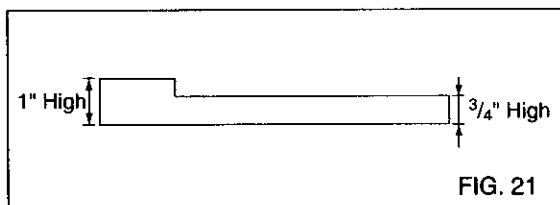


FIG. 20

INSTALACIÓN

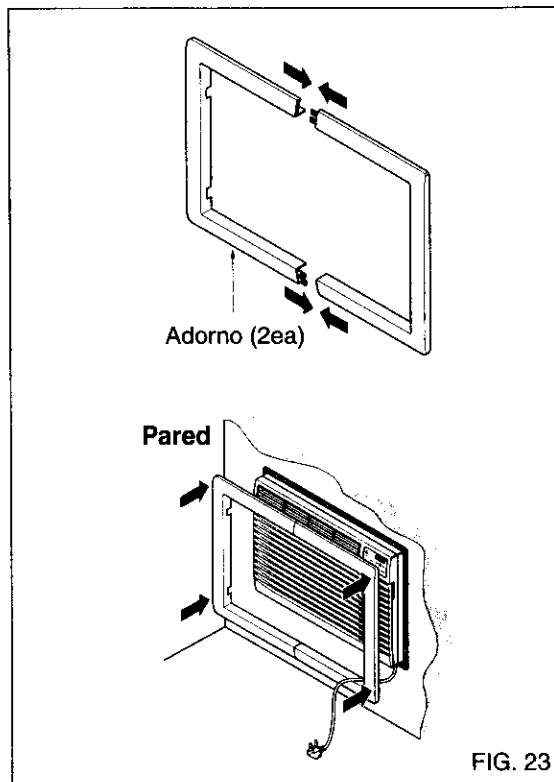
PROCEDIMIENTO C

7 Extraiga el refuerzo de las tiras de reborde 33,02 (13) y fíjelas según se muestra abajo en la FIG 22. La parte superior del reborde debe colocarse enfrente del reborde en la base del alojamiento de la pared.



8 Instale la nueva unidad en el alojamiento de la pared.

9 Para montar el reborde, inserte el saliente de cada pieza en la ranura de la otra pieza según se muestra abajo. Deslice el reborde sobre la parte frontal del aparato de aire acondicionado hasta que el reborde esté unido a paño con el alojamiento según se muestra a continuación.



⚠ CUIDADO

- Los aparatos de aire acondicionado de los que trata este manual constituyen un peligro de peso excesivo. Se necesitan dos o más personas para mover e instalar la unidad. Para evitar heridas o problemas musculares, utilice técnicas adecuadas para elevar y desplazar la unidad.
- Al manejar el aparato de aire acondicionado, tenga cuidado de evitar cortes de las aletas afiladas de metal en las bobinas frontal y trasera.
- Asegúrese de que el aparato de aire acondicionado no cae al suelo durante la instalación.

ESPAÑOL

FUNCIONAMIENTO

CÓMO Y PORQUE

Este aire acondicionado incluye un manual de instrucciones para hacer más agradables las condiciones de habitabilidad en estaciones calurosas.

- Refrigerera y hace circular el aire de la habitación.
- Elimina la humedad en exceso.
- Los filtros eliminan el polvo y la suciedad típicas de la estación, así como las impurezas que el aire contiene.

El aire acondicionado realiza las funciones anteriores al hacer pasar el aire de la habitación a través de un filtro que atrapa las partículas de polvo y la suciedad. A continuación, el aire pasa por un serpentín de refrigeración que enfría el aire y elimina la humedad en exceso. El mismo aire volverá a la habitación pero más frío, más seco y más limpio. La humedad que se ha eliminado del aire de la habitación sale al exterior y se evapora.

Este aire acondicionado se ha diseñado para que sea fácil de utilizar y para que proporcione la máxima capacidad de refrigeración.

SONIDOS NORMALES FIG. 24

Además de los sonidos normales del compresor y del motor del ventilador que proceden del aire acondicionado, es posible que oiga de vez en cuando un sonido de silbidos. Esto se debe al sonido que se produce al recoger la humedad del aire de la habitación y expulsarla a través del ventilador del aire acondicionado. Este sonido es normal, no tiene porqué preocuparse. También es posible que se escuche un sonido de siseo o de borboteo cuando apague el aire acondicionado. No debe alarmarse, ya que son sonidos normales que se producen al refrigerar.

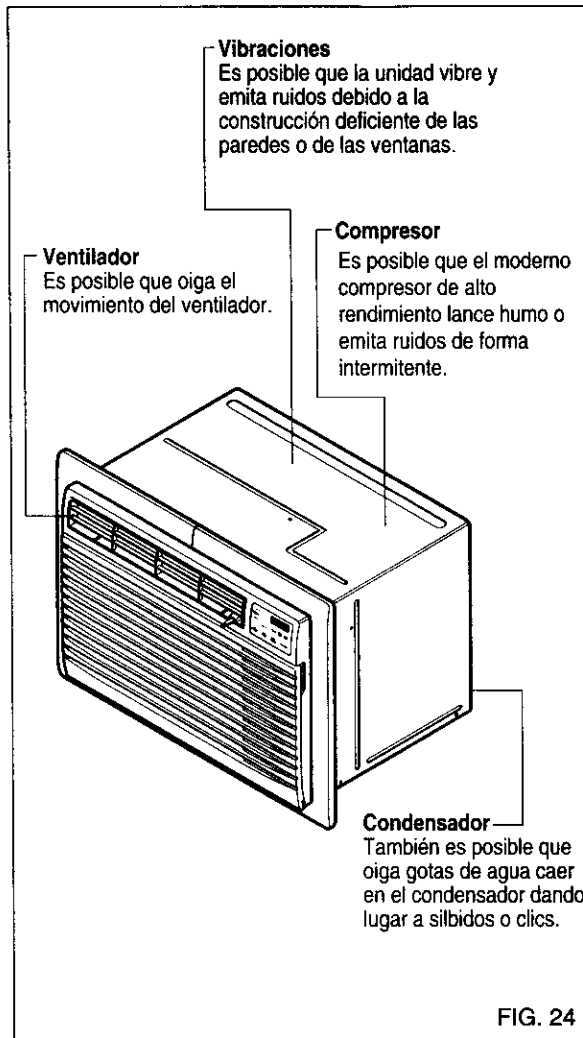


FIG. 24

CAPACIDAD Y TIEMPO DE FUNCIONAMIENTO

Es importante establecer la zona que desea refrigerar para decidir en consecuencia el tamaño adecuado de la unidad. Su tamaño dependerá del número de metros cuadrados de la zona que desee refrigerar.

Si la carga de humedad o el calor es superior a lo normal, el aire acondicionado se deberá utilizar más tiempo y con más frecuencia para mantener la temperatura establecida deseada. También es posible que el calor sea tan elevado que tenga que utilizar el aire acondicionado constantemente para mantener la temperatura deseada.

Puede utilizar el valor MED FAN (ventilador media) para que el aire de la habitación circule y hacer las condiciones de habitabilidad más idóneas, aunque no tenga el aire acondicionado establecido en el modo de refrigeración. Así disminuirá el coste de utilización.

FUNCIONAMIENTO

CARACTERÍSTICAS

LA UNIDAD

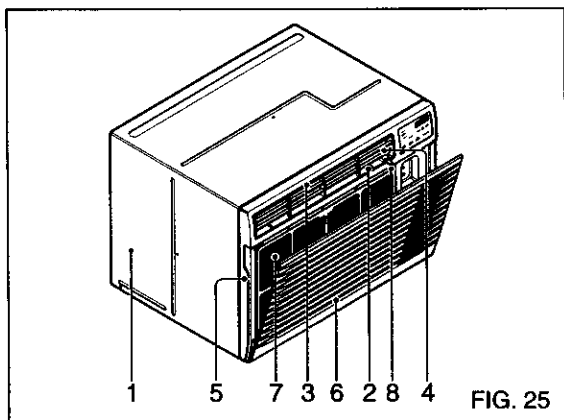


FIG. 25

1. CABINA
2. DEFLECTOR DE AIRE HORIZONTAL
(Persiana vertical)
3. DEFLECTOR DE AIRE VERTICAL
(Persiana horizontal)
4. DESCARGA DE AIRE
5. REJILLA DELANTERA
6. REJILLA DELANTERA (entrada de aire)
7. FILTRO DE AIRE
8. CONTROL DE VENTILACIÓN

EL MANGUITO Y LA REJILLA TRASERA

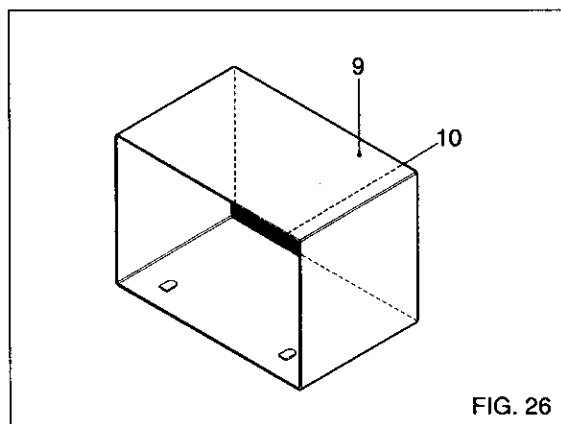


FIG. 26

9. CONJUNTO DEL MANGUITO
(Rejilla trasera de aluminio ampliada incluida)
10. REJILLA TRASERA
(Rejilla trasera de aluminio ampliada)

UTILIZACIÓN DEL APARATO DE AIRE ACONDICIONADO

⚠ ADVERTENCIA Antes de utilizar esta unidad, lea las instrucciones acerca de la seguridad para evitar riesgos de fuegos, sacudida eléctrica o daños a personas.

Siga estos pasos para empezar a utilizar el aire acondicionado después de su instalación:

1. Conecte el aire acondicionado. (Para evitar peligros eléctricos no utilice alargaderas ni adaptadores).
2. Establezca el control de temperatura (TEMP) en el valor más frío.
3. Establezca el control de modo (MODE) en el nivel más frío.
4. Ajuste las persianas para que el flujo de aire le resulte agradable.
5. Cuando la habitación se haya enfriado, ajuste el control de modo y temperatura en el valor que le resulte más agradable.

NOTA: Si el aire acondicionado está apagado, espere tres minutos antes de volver a encenderlo. De esta forma se equilibra la presión del interior del compresor. Si no espera tres minutos antes de volverlo a encender, es posible que se produzcan fallos de funcionamiento.

Si cambia el control de temperatura a más templado y vuelve a cambiar inmediatamente a un valor más frío, la unidad de apagará. Espere tres minutos antes de volverlo a encender.

Consulte la sección de funciones y características del aire acondicionado para ver otros valores.

CONTROL DE VENTILACIÓN

El control de ventilación permite que el aire acondicionado haga circular el aire (CLOSE) o expulse el aire al exterior (OPEN). (FIG. 28)

- La posición CLOSE se utiliza cuando desee la máxima refrigeración. También se utiliza para recircular el aire sin refrigerar cuando el aire acondicionado esté en la posición FAN (ventilación).
- En la posición OPEN (abierto) elimina el aire viciado de la habitación y lo expulsa al exterior. El aire fresco sale a la habitación a través de los conductos de aire normales de la casa.
- La posición OPEN o CLOSE se puede utilizar con cualquier selección del ventilador.

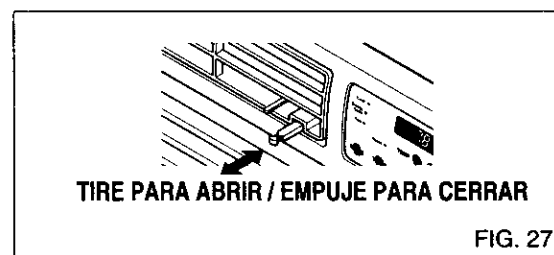
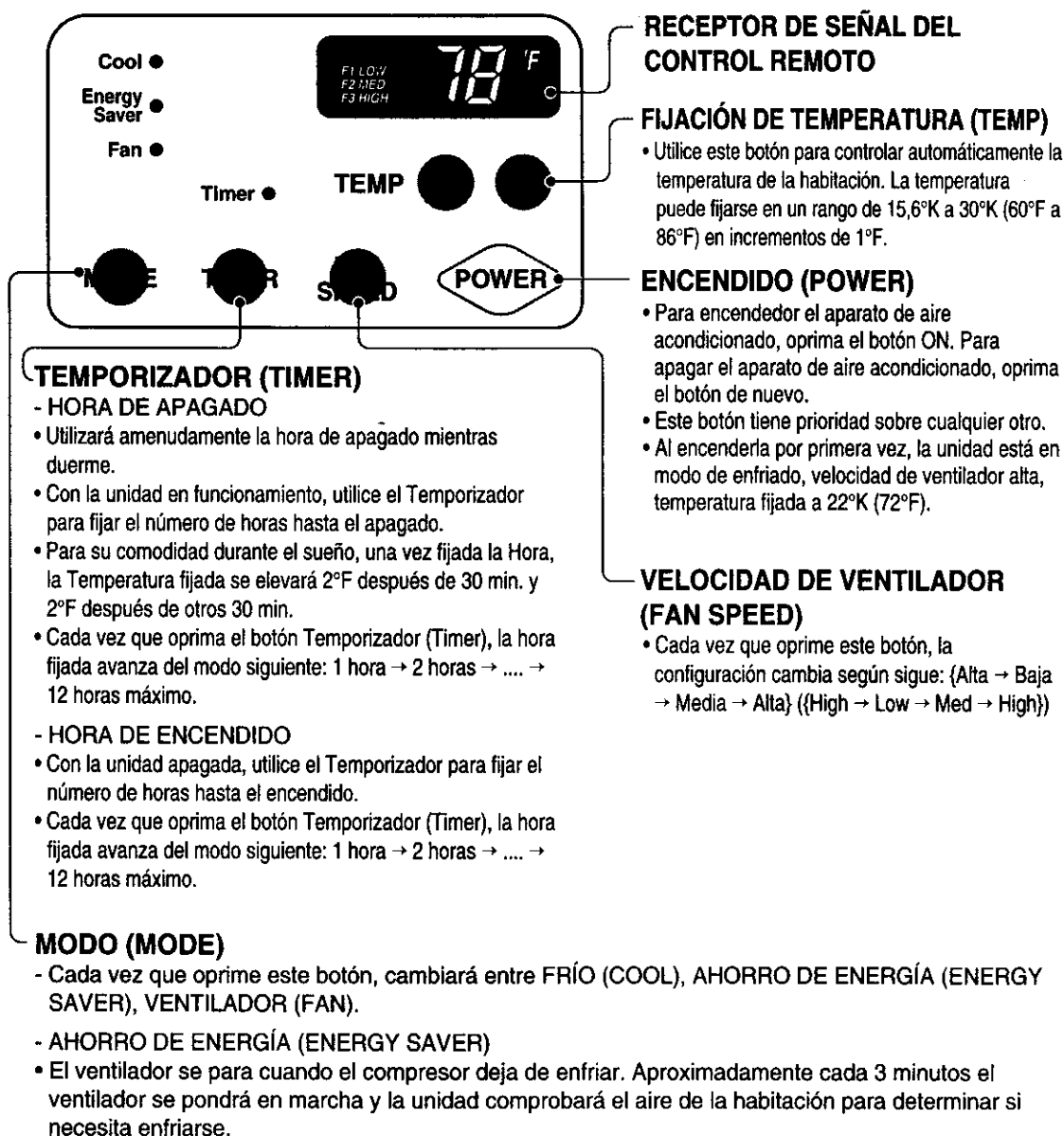


FIG. 27

FUNCIONAMIENTO

PANTALLA



REENCENDIDO AUTOMÁTICO

Cuando vuelve la electricidad después de un corte de suministro eléctrico, la unidad comenzará a funcionar con los últimos valores en los que estaba funcionando

FUNCIONAMIENTO

CONTROL REMOTO

NOTA: El control remoto no funcionará de modo adecuado si una luz fuerte está brillando sobre la pantalla del sensor en la unidad de aire acondicionado o si existen obstáculos entre el Control remoto y el aparato de aire acondicionado. Cada vez que oprime un botón, se escuchará un pitido procedente del aparato de aire acondicionado.

ENCENDIDO (POWER)

- Para encender el aparato de aire acondicionado, oprima el botón ON. Para apagar el aparato de aire acondicionado, oprima el botón de nuevo. Este botón tiene prioridad sobre cualquier otro. Al encender por primera vez, la unidad está en modo de enfriado, velocidad de ventilador alta, temperatura fijada a 22°K (72°F).

FIJACIÓN DE TEMPERATURA (TEMP)

- Utilice este botón para controlar automáticamente la temperatura de la habitación. La temperatura puede fijarse en un rango de 15°K (60°F) a 30°K (86°F) en incrementos de 1°F.

VELOCIDAD DE VENTILADOR (FAN SPEED)

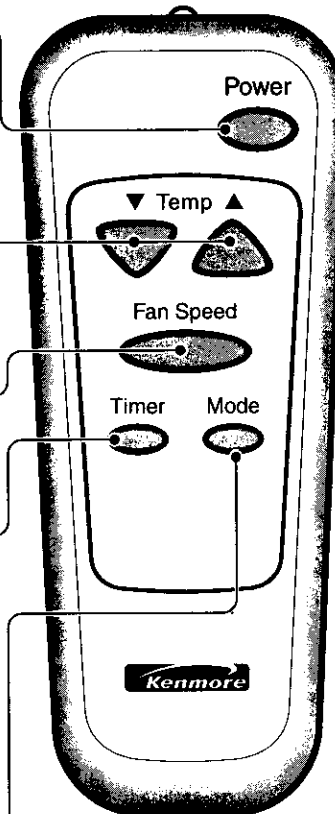
- Cada vez que oprime este botón, el valor fijado cambia según sigue: {Alta → Baja → Media → Alta} (High → Low → Med → High)

TEMPORIZADOR (TIMER)

- HORA DE APAGADO
- Utilizará amenudamente la hora de apagado mientras duermes.
- Con la unidad en funcionamiento, utilice el Temporizador para fijar el número de horas hasta el apagado.
- Para su comodidad durante el sueño, una vez fijada la Hora, la Temperatura fijada se elevará 2°F después de 30 min. y 2°F después de otros 30 min.
- Cada vez que oprima el botón Temporizador (Timer), la hora fijada avanza del modo siguiente: 1 hora → 2 horas → → 12 horas máximo.
- HORA DE ENCENDIDO
- Con la unidad apagada, utilice el Temporizador para fijar el número de horas hasta el encendido.
- Cada vez que oprima el botón Temporizador (Timer), la hora fijada varía del modo siguiente: 1 hora → 2 horas → → 12 horas máximo.

MODO (MODE)

- Cada vez que oprime este botón, cambiará entre FRÍO (COOL), AHORRO DE ENERGÍA (ENERGY SAVER), VENTILADOR (FAN).
- AHORRO DE ENERGÍA
- El ventilador se para cuando el compresor deja de enfriar. Aproximadamente cada 3 minutos el ventilador se pondrá en marcha y la unidad comprobará el aire de la habitación para determinar si necesita enfriarse.

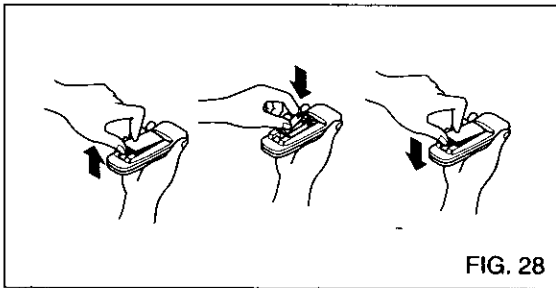


ESPAÑOL

FUNCIONAMIENTO

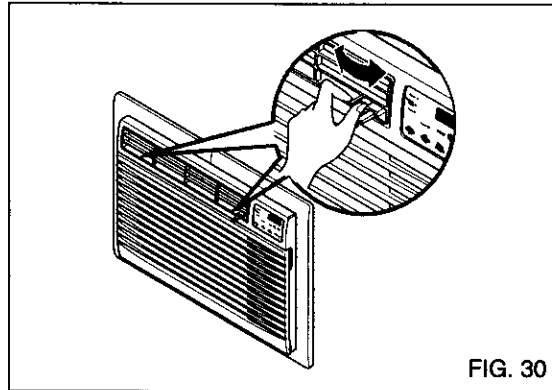
COLOCACIÓN DE LAS PILAS DEL MANDO A DISTANCIA

1. Extraiga la tapa de la parte trasera del control remoto.
2. Inserte dos pilas.
 - Asegúrese de que los polos positivo (+) y negativo (-) estén colocados correctamente.
 - Asegúrese de que ambas pilas sean nuevas.
3. Vuelva a colocar la tapa.

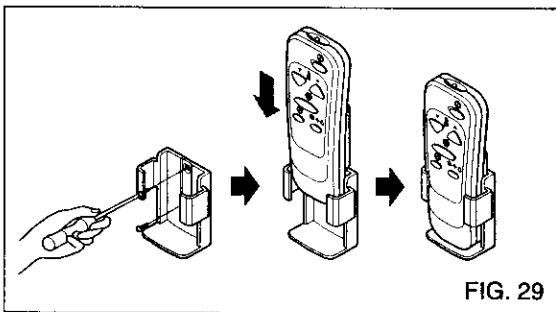


AJUSTE DE LA DIRECCIÓN HORIZONTAL DEL AIRE

- La dirección horizontal del aire se ajusta moviendo la persiana vertical.
- Los elevadores del control de la persiana vertical se ubican a la derecha y a la izquierda de la descarga de aire.

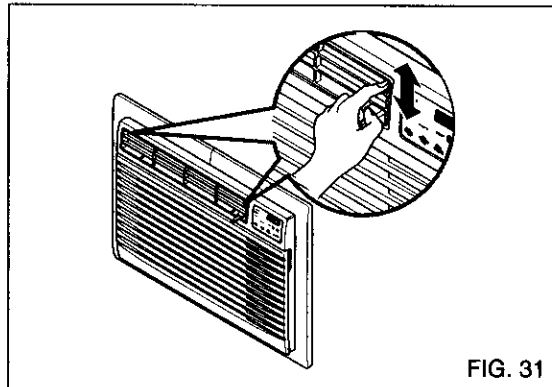


- Si no va a utilizar el aire acondicionado durante un largo periodo de tiempo, quite las pilas del mando a distancia para que no se descarguen. Guarde el mando a distancia lejos de lugares extremadamente húmedos o calurosos. No exponga el sensor remoto a la luz directa del sol para mantener un funcionamiento óptimo del mando a distancia.
- El mando a distancia se puede colocar en la pared con un soporte.



AJUSTE DE LA DIRECCIÓN VERTICAL DEL AIRE

- La dirección vertical del aire se ajusta moviendo las persianas horizontales.



MANTENIMIENTO

LIMPIEZA DEL FILTRO DE AIRE

El filtro de aire se podrá ensuciar al quitar el polvo de la parte interna. Se deberá lavar al menos cada dos semanas. Si el filtro de aire sigue estando sucio, el flujo de aire disminuirá y la capacidad de refrigeración se reducirá produciendo daños en la unidad.

- Empuje la rejilla de entrada hacia delante y saque el filtro de aire. (FIG. 32)
- Lave el filtro de aire bajo el grifo con agua templada. Asegúrese de sacudir toda el agua antes de volver a colocar el filtro. (FIG. 33)

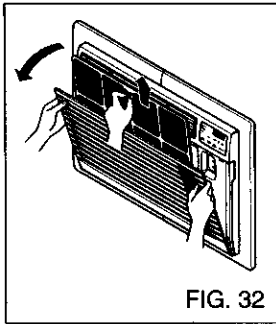


FIG. 32

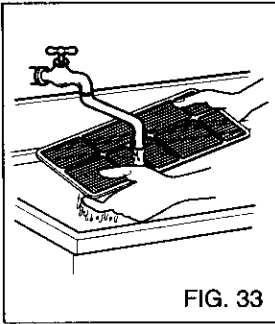


FIG. 33

LIMPIEZA DEL APARATO DE AIRE ACONDICIONADO

Limpie la rejilla delantera y la rejilla de entrada con un trapo humedecido en una solución de detergente neutro. La cabina se debe limpiar con un jabón o detergente neutro y agua tibia y, a continuación, pulirla con cera líquida.

Para asegurar la máxima eficacia continua, se deben comprobar y limpiar periódicamente los serpentines del condensador (parte externa de la unidad) si se obstruyen con hollín o suciedad de la atmósfera. Cepille o aspire los serpentines exteriores para eliminar los residuos.

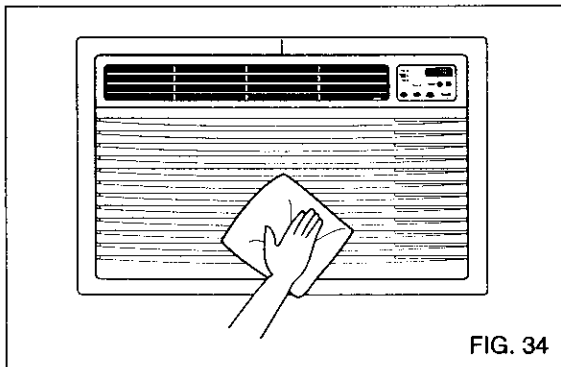


FIG. 34

CÓMO EXTRAER LA REJILLA FRONTAL

- Abra la rejilla de entrada.
- Quite los tornillos que aseguran la rejilla delantera.
- Empuje la rejilla hacia arriba desde abajo y saque la parte superior de la rejilla de la carcasa para levantar las pestañas superiores de las ranuras

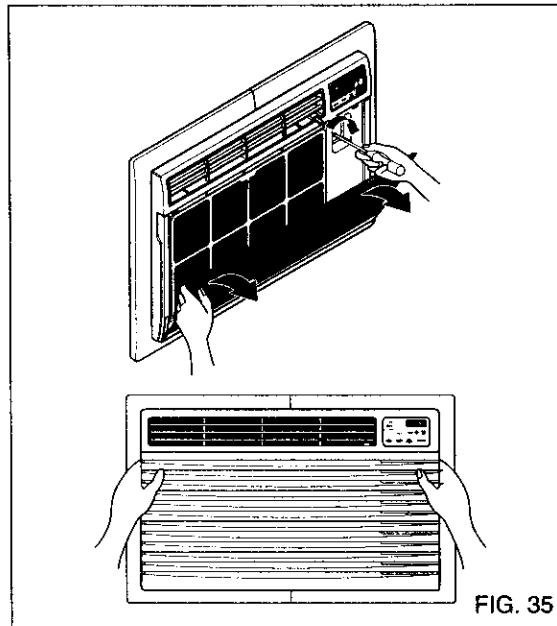


FIG. 35

CÓMO VOLVER A COLOCAR LA REJILLA FRONTAL

Acople la rejilla delantera a la cabina introduciendo las pestañas de la rejilla en las ranuras de la parte delantera de la cabina. Presione sobre la rejilla hasta que encaje en su sitio.

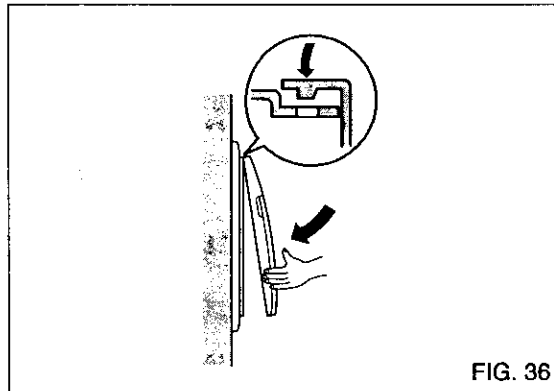


FIG. 36

RESOLUCIÓN DE PROBLEMAS

ANTES DE LLAMAR PARA SERVICIO

Cheque la siguiente lista para asegurarse si en realidad es necesario llamar para servicio. Una referencia rápida a este manual puede evitar una llamada para servicio innecesaria.

EL EQUIPO DE AIRE ACONDICIONADO NO FUNCIONA.

El enchufe no está conectado en la toma de corriente de pared.	Conecte el enchufe firmemente en la toma de corriente de pared.
El fusible está quemado o el interruptor de circuito se ha disparado.	Reemplace el fusible dañado con un fusible de acción retardada o reajuste el interruptor de circuito.
El aparato está apagado (OFF).	Oprima el botón de encendido.
La unidad se apagó y se volvió a encender demasiado rápido.	Apague la unidad y espere 3 minutos antes de volver a encenderla.
El control de temperatura TEMP se ajustó más cálido que la temperatura ambiente.	Fije el control de TEMP en un valor inferior.

EL AIRE DE LA UNIDAD NO SALE BASTANTE FRÍO.

VELOCIDAD DEL VENTILADOR (FAN SPEED) fijada en BAJA (LOW)	Oprima el botón de VELOCIDAD DEL VENTILADOR (FAN SPEED) para fijarla en ALTA (HI).
Control de TEMP fijado demasiado alto.	Fije el control de TEMP a un valor inferior.
La temperatura de la habitación es inferior a 70°F (21°C).	No se producirá enfriamiento hasta que la temperatura de la habitación se eleve por encima de 70°F (21°C).
El tubo sensor de temperatura está tocando el serpentín frío que está situado detrás del filtro del aire.	Enderece el tubo alejándolo del serpentín.

EL AIRE ACONDICIONADO ENFRÍA, PERO LA HABITACIÓN SE SIENTE DEMASIADO CÁLIDA; SE FORMA HIELO EN EL SERPENTÍN DE ENFRIAMIENTO DETRÁS DEL PANEL DECORATIVO FRONTAL.

La temperatura exterior es inferior a 70°F (21°C).	Para descongelar la bobina, ajuste el MODO a VENTILACIÓN, la velocidad del ventilador en Alta, VENTILE la VELOCIDAD a Alto.
El filtro del aire puede estar sucio.	Limpie el filtro de aire. Consulte la sección sobre Mantenimiento en su Guía del Propietario.
El control de temperatura se ajustó demasiado.	Para descongelar la bobina, fije el MODO (MODE) a Frío (COOL), la velocidad del ventilador (FAN SPEED) a Alta (HI) y el control de Temperatura (TEMP) en un valor más alto.

EL AIRE ACONDICIONADO ENFRÍA, PERO LA HABITACIÓN SE SIENTE DEMASIADO CÁLIDA.

El filtro del aire está sucio con lo que se restringe el flujo del aire.	Limpie el filtro del aire. Consulte la sección "Mantenimiento".
El control de temperatura TEMP se graduó en posición demasiado cálida.	Fije el control de TEMP a un valor inferior.
La parte frontal de la unidad está bloqueada por cortinas, persianas, muebles etc. que restringen la distribución del aire.	Elimine el bloqueo enfrente de la unidad.
Las puertas, ventanas, rejillas de calefacción, etcétera, están abiertas con lo que se permite el escape del aire frío.	Cierre las puertas, ventanas, rejillas de calefacción, etcétera.
La unidad acaba de encenderse en una habitación caliente.	Permita que transcurra un poco más de tiempo para eliminar el "calor almacenado" en las paredes, el techo, el piso y los muebles.

EL EQUIPO DE AIRE ACONDICIONADO SE APAGA Y SE ENCIENDE RÁPIDAMENTE .

La temperatura exterior es extremadamente caliente.	Fije la VELOCIDAD DEL VENTILADOR (FAN SPEED) a HI traer aire la refrigeración del pasado enrolla más rápido.
-----------------------------------------------------	--------------------------------------------------------------------------------------------------------------

SE ESCUCHAN RUIDOS CUANDO LA UNIDAD ESTÁ ENFRIANDO.

El sonido del ventilador al chocar contra el agua del sistema de eliminación de humedad.	Esto es normal cuando la humedad es alta. Cierre las puertas, ventanas y rejillas de calefacción.
Vibración de la ventana; instalación deficiente.	Lea las instrucciones de instalación o consulte al instalador.

EL AGUA GOTEA DENTRO DE LA HABITACIÓN CUANDO LA UNIDAD ESTÁ ENFRIANDO.

Instalación inadecuada.	Incline ligeramente el equipo de aire acondicionado hacia la parte exterior para permitir el drenaje del agua. Lea las instrucciones de instalación o consulte al instalador.
-------------------------	-------------------------------------------------------------------------------------------------------------------------------------------------------------------------------

EL AGUA GOTEA AFUERA CUANDO LA UNIDAD ESTÁ ENFRIANDO.

La unidad está extrayendo grandes cantidades de humedad de una habitación húmeda.	Esto es algo normal durante los días excesivamente húmedos.
-----------------------------------------------------------------------------------	-------------------------------------------------------------

NOTA

ESPAÑOL

NOTA

Master Protection Agreements

Congratulations on making a smart purchase. Your new Kenmore® product is designed and manufactured for years of dependable operation. But like all products, it may require preventive maintenance or repair from time to time. That's when having a Master Protection Agreement can save you money and aggravation.

Purchase a Maser Protection Agreement now and protect yourself from unexpected hassle and expense.

The Master Protection Agreement also helps extend the life of your new product. Here's what's included in the Agreement:

- Expert service** by our 12,000 professional repair specialists
- Unlimited service and no charge** for parts and labor on all covered repairs
- "No-lemon" guarantee** - replacement of your covered product if four or more product failures occur within twelve months
- Product replacement** if your covered product can't be fixed
- Annual Preventive Maintenance Check** at your request - no extra charge
- Fast help by phone** - phone support from a Sears technician on products requiring in-home repair, plus convenient repair scheduling
- Power surge protection** against electrical damage due to power fluctuations
- Rental reimbursement** if repair of your covered product takes longer than promised

Once you purchase the Agreement, a simple phone call is all that it takes for you to schedule service. You can call anytime day or night, or schedule a service appointment online.

Sears has over 12,000 professional repair specialists, who have access to over 4.5 million quality parts and accessories. That's the kind of professionalism you can count on to help prolong the life of your new purchase for years to come. Purchase your Master Protection Agreement today!

Some limitations and exclusions apply. For prices and additional information call 1-800-827-6655.

Sears Installation Service

For Sears professional installation of home appliances, garage door openers, water heaters, and other major home items, in the U.S.A. call 1-800-4-MY-HOME®

Acuerdos de Protección Especializada

¡Enhorabuena! Ha realizado una compra inteligente. Su nuevo aparato Kenmore® está diseñado y fabricado para ofrecerle años de buen funcionamiento. Sin embargo, al igual que todos los productos, puede precisar un mantenimiento preventivo o incluso alguna reparación de vez en cuando. En esas ocasiones, un Master Protection Agreement puede ayudarle a ahorrar dinero e inconvenientes.

Adquiera un Maser Protection Agreement ahora, y protéjase a sí mismo de molestias y gastos inesperados.

El Master Protection Agreement le ayudará también a prolongar la vida de su nuevo aparato. Los siguientes servicios están incluidos:

- Servicio experto por parte de cualquiera de nuestros 12.000 técnicos** profesionales especialistas de Sears.
- Prestación de servicios sin limitaciones y sin cargarle** las piezas o la mano de obra en todas las reparaciones cubiertas por el acuerdo.
- Garantía seria de sustitución de las piezas** del producto cubierto por el acuerdo, si cuatro o más piezas se mostrasen defectuosas en un período de doce meses.
- Sustitución del producto por otro nuevo**, si el defectuoso no pudiese repararse.
- Control de mantenimiento anual preventivo**, siempre que lo desee y sin gasto adicional alguno.
- Asistencia telefónica inmediata** de un técnico especialista en productos que han de ser reparados a domicilio, además de una programación adecuada de la reparación.
- Protección contra subidas de tensión** que provoquen daños eléctricos debidos a las fluctuaciones en el suministro.
- Reintegro del alquiler** si la reparación del producto lleva más tiempo del prometido

Una vez que haya adquirido el Agreement, no necesitará más que una simple llamada para solicitar el servicio de su aparato. Además, podrá hacerlo en cualquier momento del día o de la noche, o solicitar una cita para prestación de servicios online.

Sears cuenta con más de 12.000 técnicos profesionales especialistas en reparaciones, con acceso a más de 4.5 millones de piezas de sustitución y accesorios de calidad. Éste será el tipo de profesionalidad y servicio con el que podrá contar para prolongar la vida de su nuevo producto por muchos años. ¡Adquiera hoy mismo su *Master Protection Agreement!*

Se aplicarán algunas limitaciones y restricciones.

Si desea hacer alguna consulta sobre los precios u otra información adicional, le rogamos llame al teléfono 1-800-827-6655.

Servicios de Instalación Sears

Para solicitar servicios de instalación profesionales de Sears de electrodomésticos, mandos de apertura de puertas de garajes, calentadores de agua y otros aparatos en los Estados Unidos, puede llamar a 1-800-4-MY-HOME®

ESPAÑOL

Get it fixed, at your home or ours!

Your Home

For repair – **in your home** – of **all** major brand appliances, lawn and garden equipment, or heating and cooling systems, **no matter who made it, no matter who sold it!**

For the replacement parts, accessories and owner's manuals that you need to do-it-yourself.

For Sears professional installation of home appliances and items like garage door openers and water heaters.

1-800-4-MY-HOME® (1-800-469-4663)

Call anytime, day or night (U.S.A. and Canada)

www.sears.com www.sears.ca

Our Home

For repair of carry-in items like vacuums, lawn equipment, and electronics, call or go on-line for the location of your nearest

Sears Parts & Repair Center.

1-800-488-1222

Call anytime, day or night (U.S.A. only)

www.sears.com

To purchase a protection agreement (U.S.A.) or maintenance agreement (Canada) on a product serviced by Sears:

1-800-827-6655 (U.S.A.)

1-800-361-6665 (Canada)

Para pedir servicio de reparación a domicilio, y para ordenar piezas:

1-888-SU-HOGARSM

(1-888-784-6427)

Au Canada pour service en français:

1-800-LE-FOYER^{MC}

(1-800-533-6937)

www.sears.ca

SEARS

® Registered Trademark / TM Trademark / SM Service Mark of Sears, Roebuck and Co.

© Marca Registrada / TM Marca de Fábrica / SM Marca de Servicio de Sears, Roebuck and Co.

MC Marque de commerce / ^{MD} Marque déposée de Sears, Roebuck and Co.

© Sears, Roebuck and Co.