

Assembly Instructions



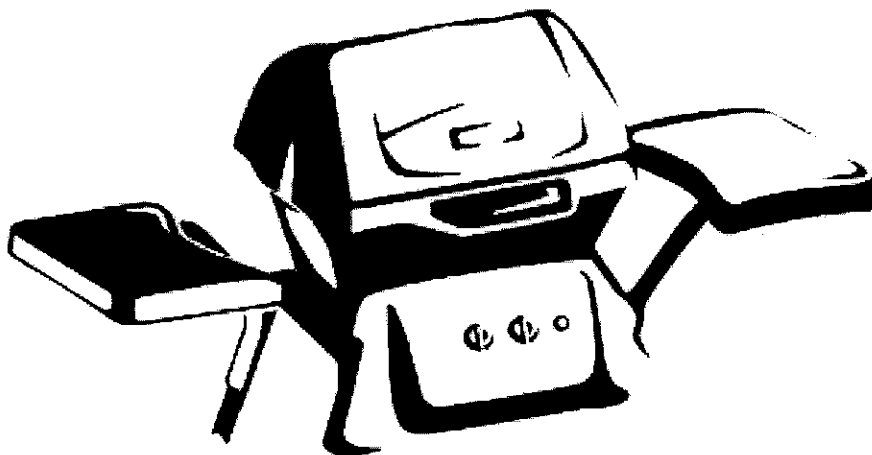
Liquid Propane Gas Grill

Ever Heat
**FLAVOR
SYSTEM**

Models: 920.16201, 920.16203

Engineering Codes: KCK11645 - KCK11625

No Tools Required



- Easy Assembly Instructions
- Important Warranty Information
- Safety and Maintenance Tips

⚠ CAUTION:

Assembler/Installer leave these instructions with the consumer.

Consumer/User read all these instructions and keep them in a safe place for future reference.

⚠ WARNING:

Units not equipped with a side burner **CANNOT BE converted** to a Side Burner unit. If a conversion is attempted the warranty will be void!

Sears, Roebuck and Co., Hoffman Estates, IL 60179 U.S.A.

Table of Contents	Page
Hazard Statements	2
Hardware	2
Product Packaging	3
Assembly Instructions	4-13
Parts Diagram	14
Parts List	15
Before Use Information	15
Service Numbers	Back Cover

Hazard Statements



WARNING:

The edges of sheet metal parts can cause injury if not handled with care.

USE EXTREME CAUTION!



WARNING:

Combustion by-products produced when using this product contains chemicals known to the State of California to cause cancer, birth defects, or other reproductive harm.



WARNING:

To ensure proper gas flow, burner control valves **must be "OFF"** before opening the gas cylinder valve.



WARNING:

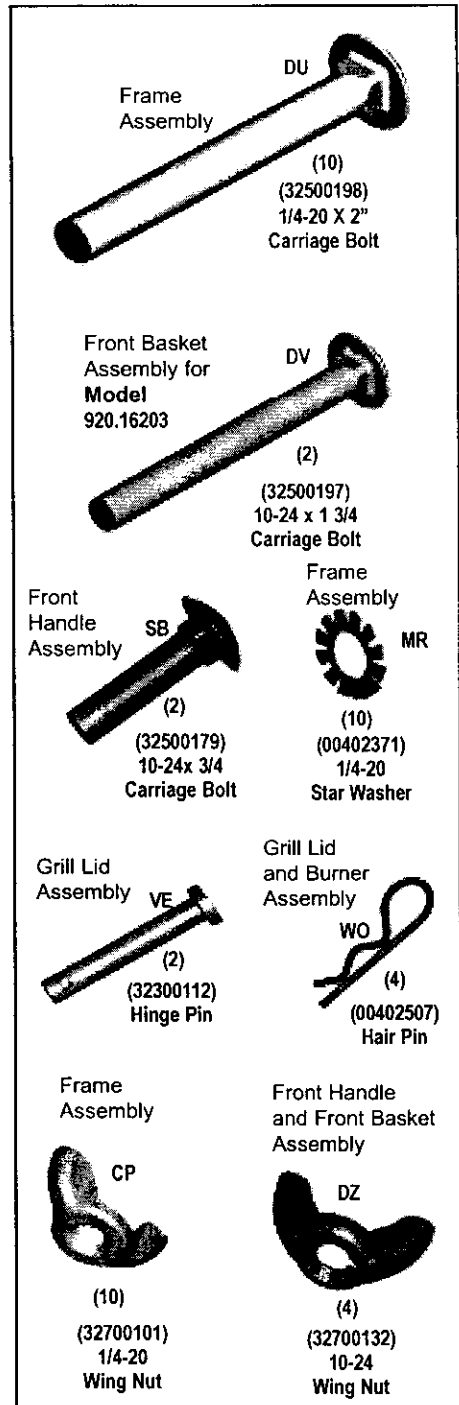
Units not equipped with a side burner **CANNOT BE converted** to a Side Burner unit. If a conversion is attempted the warranty will be void!



IMPORTANT:

Your grill may not have all the parts shown. Please refer to the back of these instructions for a listing of parts for your specific model of grill.

Hardware



Carton Contents

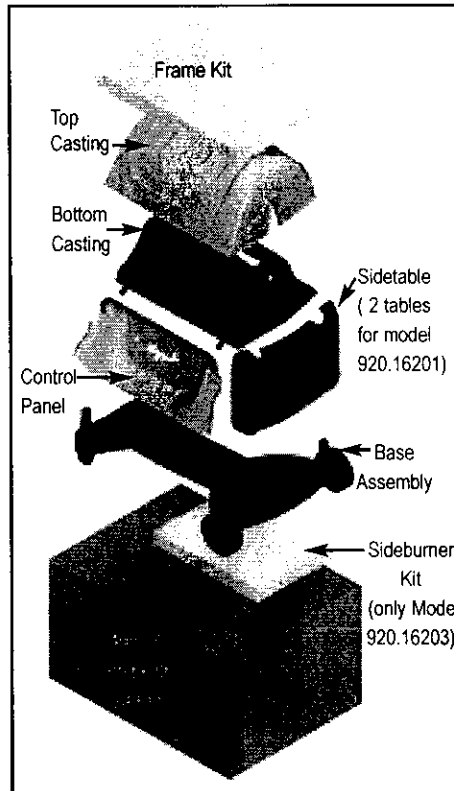
Note: not all parts are shown in illustration.

Model 920.16201

- 1-Assembly Instruction
- Use and Care Manual
- Hardware Package (see page 2, Hardware)
- Igniter Package
- Large Hardware Package
- Frame Kit Box
- Base Assembly
- Control Panel Assembly
- Heat Shield
- Bottom Casting
- Top Casting
- Burner
- Handle
- Heat Tent
- Cooking Grid
- Bottom Warming Rack
- Front Basket
- Cylinder Wire
- 2-Splash Shields
- 2-Sidetable
- 2-Basket End Caps (left and Right)

Model 920.16203

- 1-Assembly Instruction
- Use and Care Manual
- Hardware Package (see page 2, Hardware)
- Igniter Package
- Large Hardware Package
- Frame Kit Box
- Side Burner Kit Box
- Base Assembly
- Control Panel Assembly
- Heat Shield
- Bottom Casting
- Top Casting
- Burner
- Side Burner
- Handle
- Heat Tent
- Cooking Grid
- Bottom Warming Rack
- Top Warming Rack
- Front Basket
- Side Basket
- Cylinder Wire
- Sidetable
- 2-Splash Shields
- 2-Basket End Caps (left and Right)



Assembly Instructions

IMPORTANT: During assembly, refer to Parts Diagram and Parts Lists on pages 14 and 15.

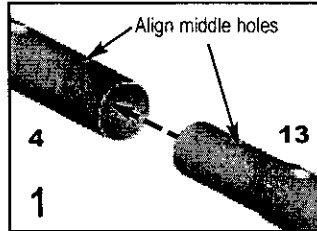
Step 1

Open the Frame Kit.

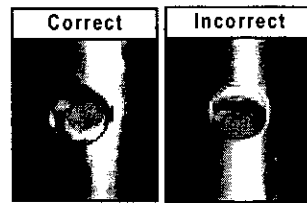
Remove **Legs (4 and 13)**, 2 carriage bolts (**DU**) and 2 wing nuts (**CP**).

Locate the **Base Assembly (1)**, **Bottom Casting (42)** and **Grease Can Wire (49)** for assembly in this step.

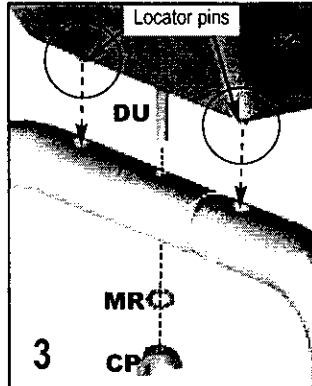
1a- Insert **Legs (4 and 13)** and align middle holes, Figure 1.



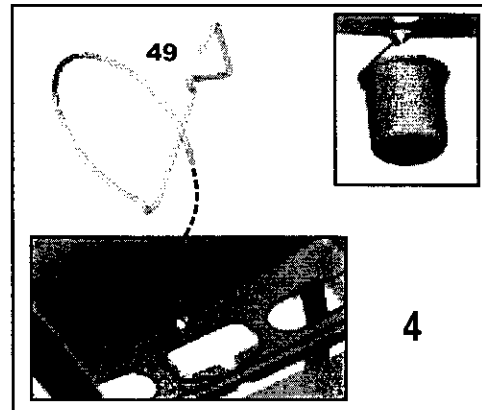
1b- Lower legs at the same time onto the **Base Assembly (1)**. **Snap** into place, Figure 2.



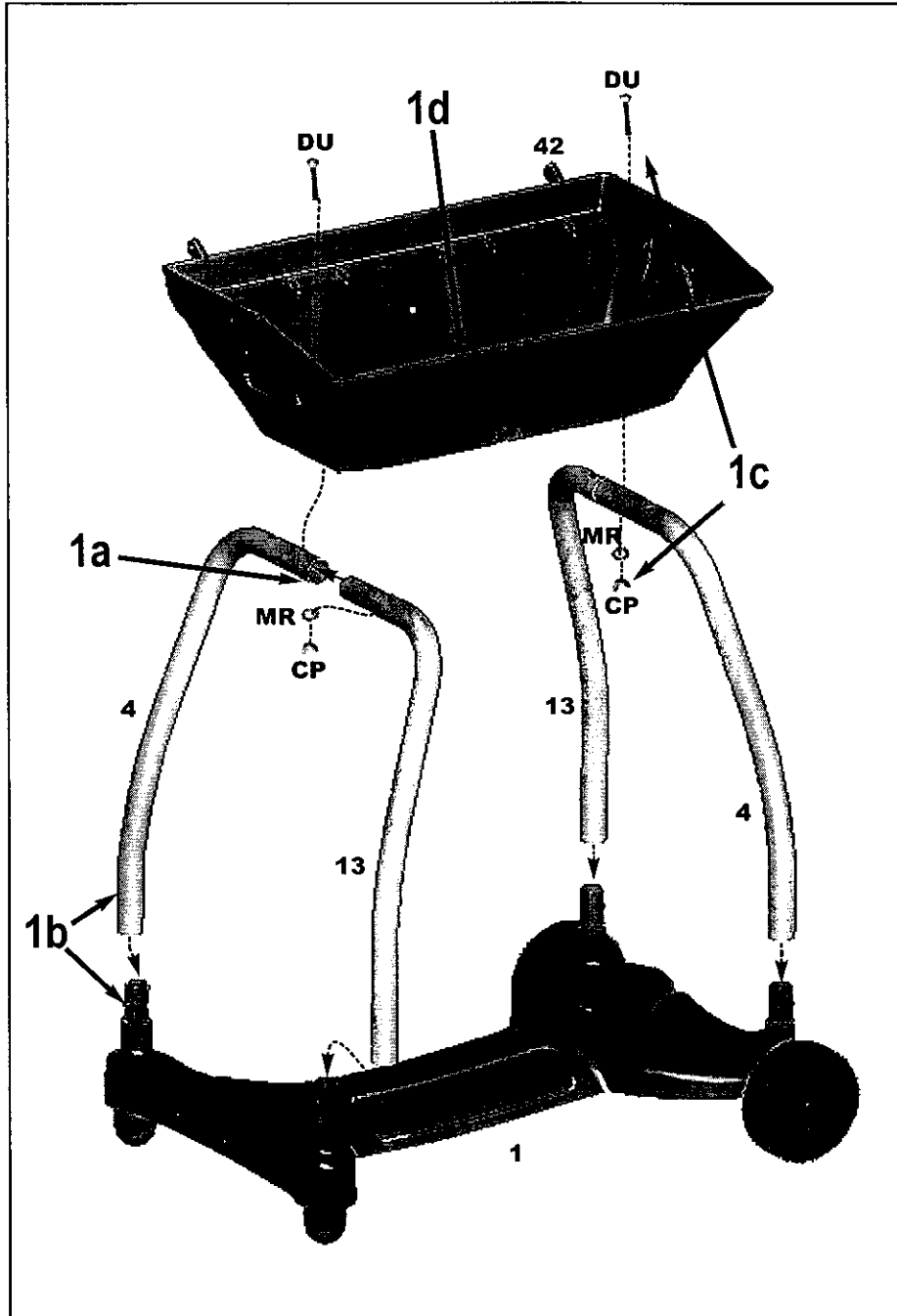
1c- Place the locator pins on the **Bottom Casting (42)** into the alignment holes on the legs. Secure with 2 carriage bolts (**DU**), 2 star washers and 2 wing nuts (**CP**), Figure 3.



1d- Place the **Grease Can Wire (49)** into the Bottom Casting, Figure 4. **Note:** Grease can not included. Use an ordinary soup can.



Step 1

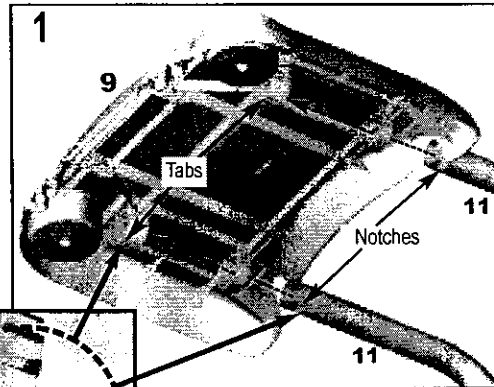


Step 2

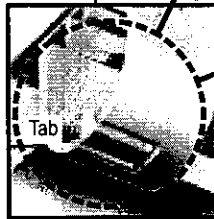
Remove the remaining parts from the Frame Kit: 4 Side Supports (11), 8 carriage bolts (DU), and 8 wing nuts (CP).

Locate 1 or 2 Sidetable(s) (9), Control Panel (25), 2 Control Knobs (32), and Side Burner Kit, if needed, for assembly in this step.

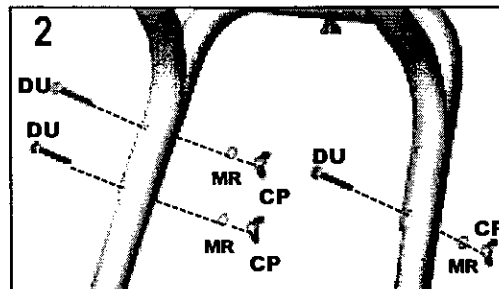
- 2a-**Insert 2 Side Supports (11) inside the Sidetable (9) until the tabs on the Sidetable snap into the notches, Figure 1.



- 2b-**Loosely attach the Sidetable assembly to the leg with 3 carriage bolt (DU), 3 star washers and 3 wingnuts (CP), Figure 2.

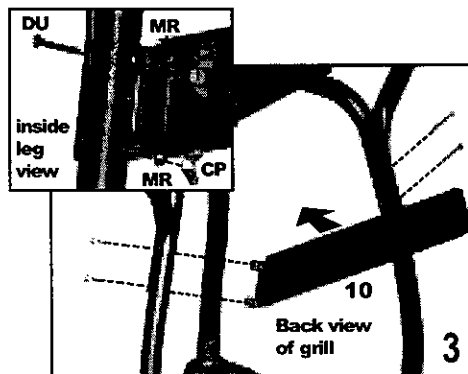


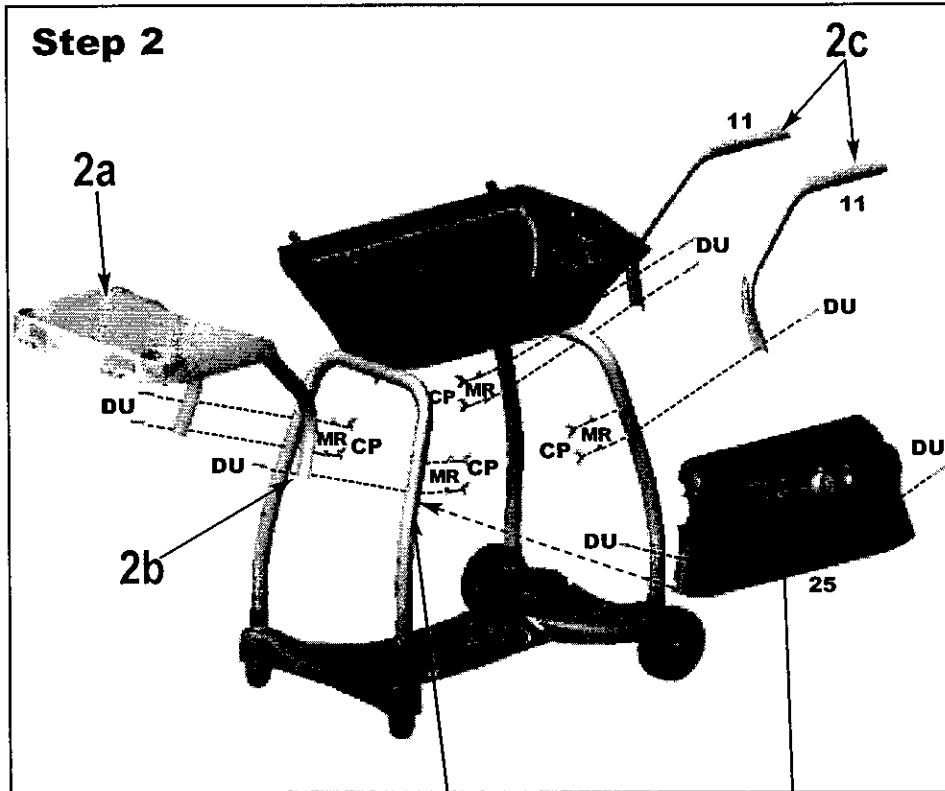
- 2c-**If the grill has two side tables, repeat steps 2a and 2b. If the grill has a side burner, attach the 2 remaining Side Supports (11) as described in 2b. Assemble the side burner components per the assembly instructions located in the side burner kit.



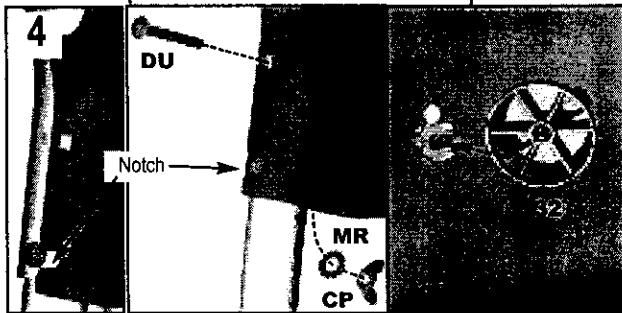
IMPORTANT: Model 920.16201 cannot be converted to a Side Burner unit. If a conversion is attempted the warranty will be void!

- 2d-**Remove the 4 wingnuts (CP), 4 star washers (MR) and 4 carriage bolts (DU) from the back legs and side supports. Place the Back Brace (10) inside the two back legs and secure with the carriage bolts, star washers and wingnuts, Figure 3.





2e-Slide the Control Panel Assembly (25) over the front legs. Place the notch on the Control Panel between the leg and head of the carriage bolt. Secure the top hole to the legs with 2 carriage bolts (DU), 2 star washers (MR) and 2 wing nuts (CP). Place the 2 Control Knobs (32) onto the valve stems, Figure 4.

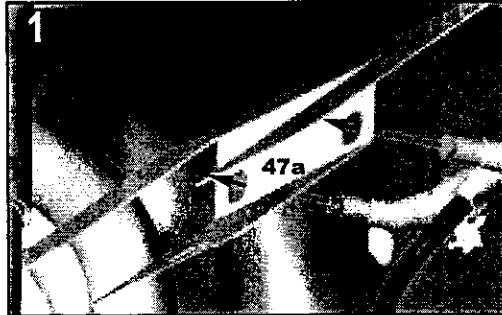


Step 3

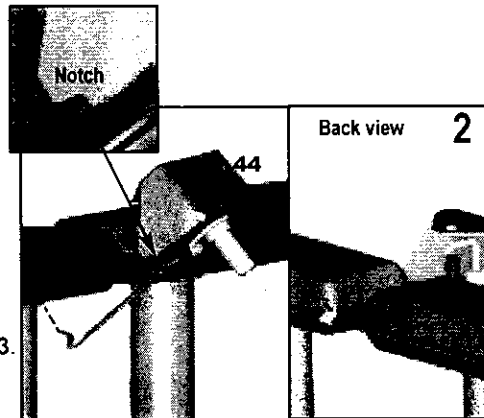
Locate the **Burner (43)**, **Heat Shield (47a)**, **Collector Box (44)**, **2 Splash Shields (45)**, **Igniter package**, **Top Casting (55)**, **Handle (58)**, **Nameplate (56)**, **Heat Tent (61)**, and **Cooking Grid (63)**.

3a- Place the **Heat Shield (47a)** over the valve orifices, Figure 1.

Note: The Heat Shield slides onto the Valve. The Burner will hold the Heat Shield in place.

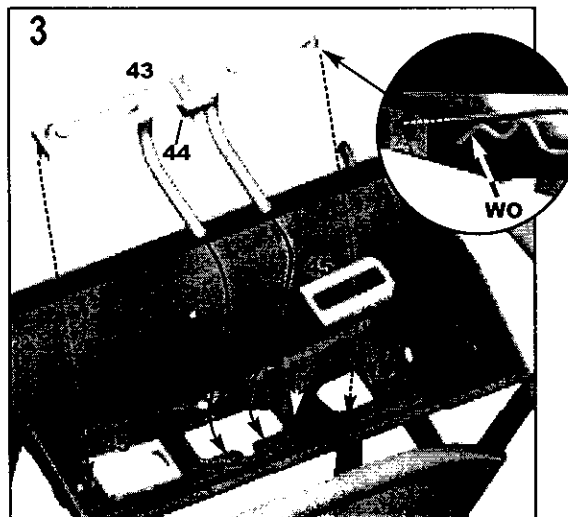
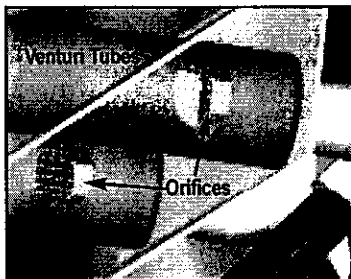


3b- Clip the **Collector Box (44)** into place on the **Burner (43)**. The Notch fits over the burner edge, Figure 2.



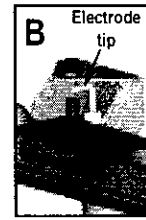
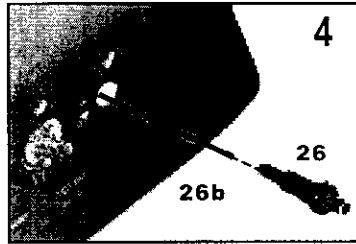
3c- Set the **2 Splash Shields (45)** over the two oval holes in the Bottom Casting. Place the Burner into the bottom casting, aligning the Venturi Tubes over the valves. Secure burner with **2 hair pins (WO)**, Figure 3.

Important: Position the Burner Venturi Tubes over the valve orifices. The orifices must be visible through the venturi tube's air openings.



3d- Push the **Main Burner Wire (26b)** onto the back of the **Push Button Igniter (26)**. Snap the Igniter into the Control Panel, Figure 4.

The main Burner wire attaches to the main burner electrode; see figure A. The Electrode Tip is located on the Burner assembled in the bottom casting; see figure B. For the Side Burner igniter use assembly instructions found in the Side Burner Kit.



Test the Igniter:

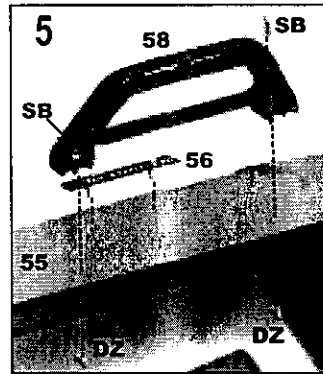
(See Use and Care Manual)

If the spark does not appear:

- Check the wire connection to the Igniter.
- Check the Collector Box electrode installation to the main burner.

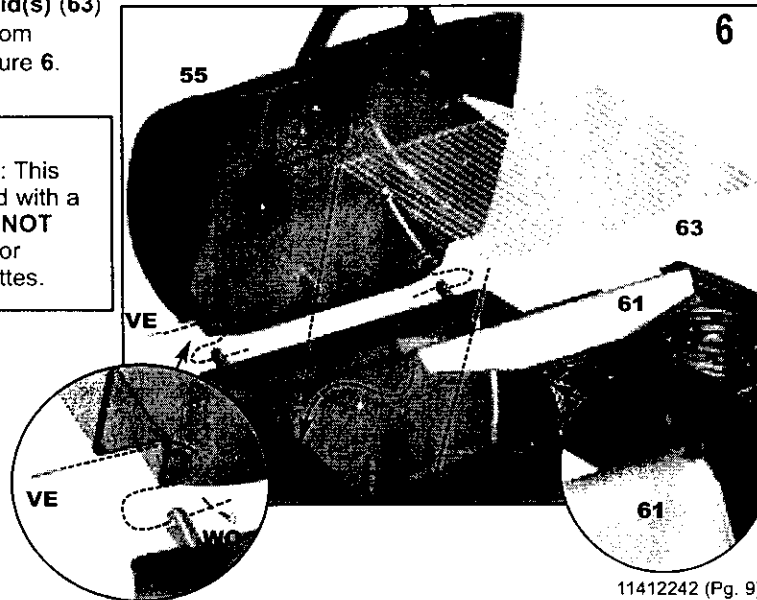
3e- Snap the **Nameplate (56)** into the **Top Casting (55)**.

Attach the **Handle (58)** to the Top Casting with **2 screws (SB)** and **2 wing nuts (DZ)**, Figure 5.



3f- Attach the Top Casting assembly to the Bottom Casting with the **2 clevis pins (VE)** and **2 hair pins (WO)**. Place the **Heat Tent (61)** and **Cooking Grid(s) (63)** into the Bottom Casting, Figure 6.

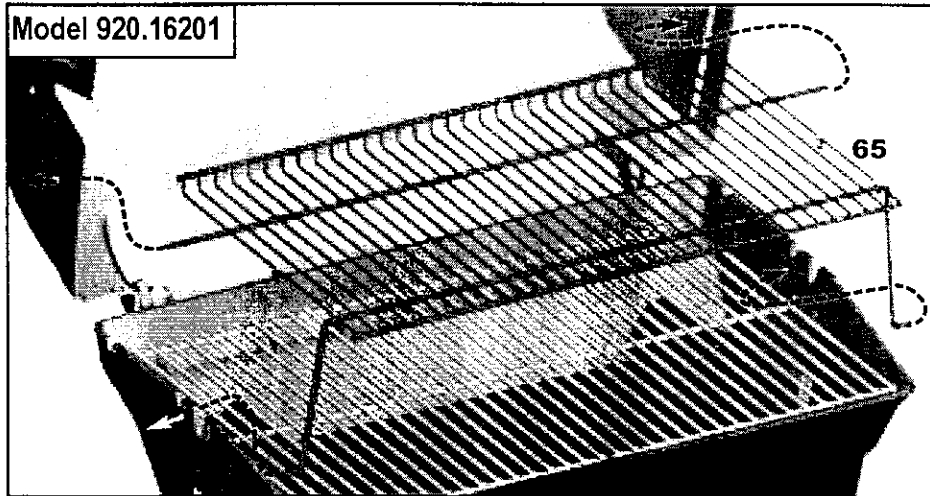
CAUTION: This grill is equipped with a Heat Tent, **DO NOT** use Lava rock or ceramic briquettes.



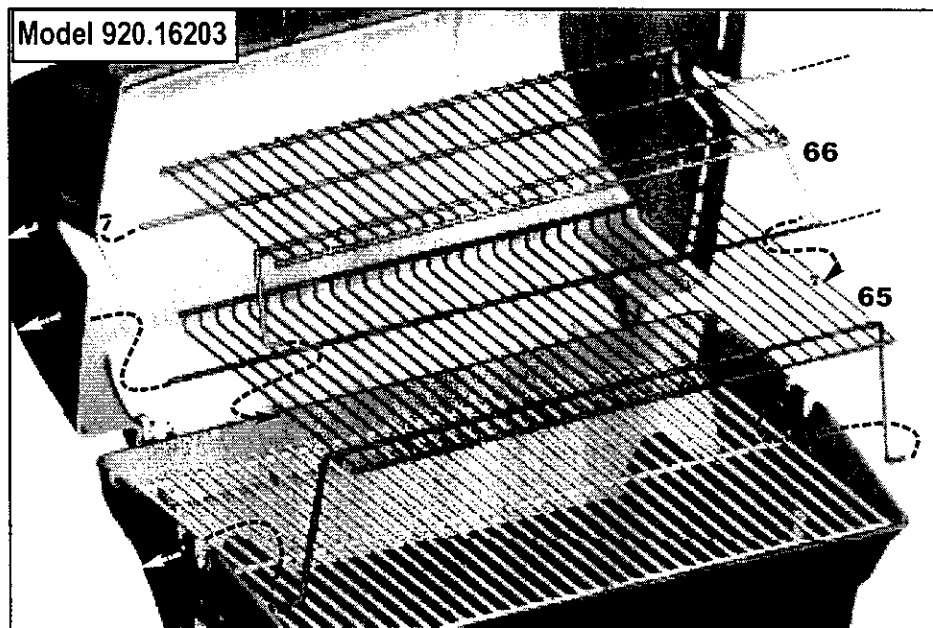
Step 4

Locate **Warming Rack(s)** (65 and 66), and **1 Side Basket** (80, for model 16203).

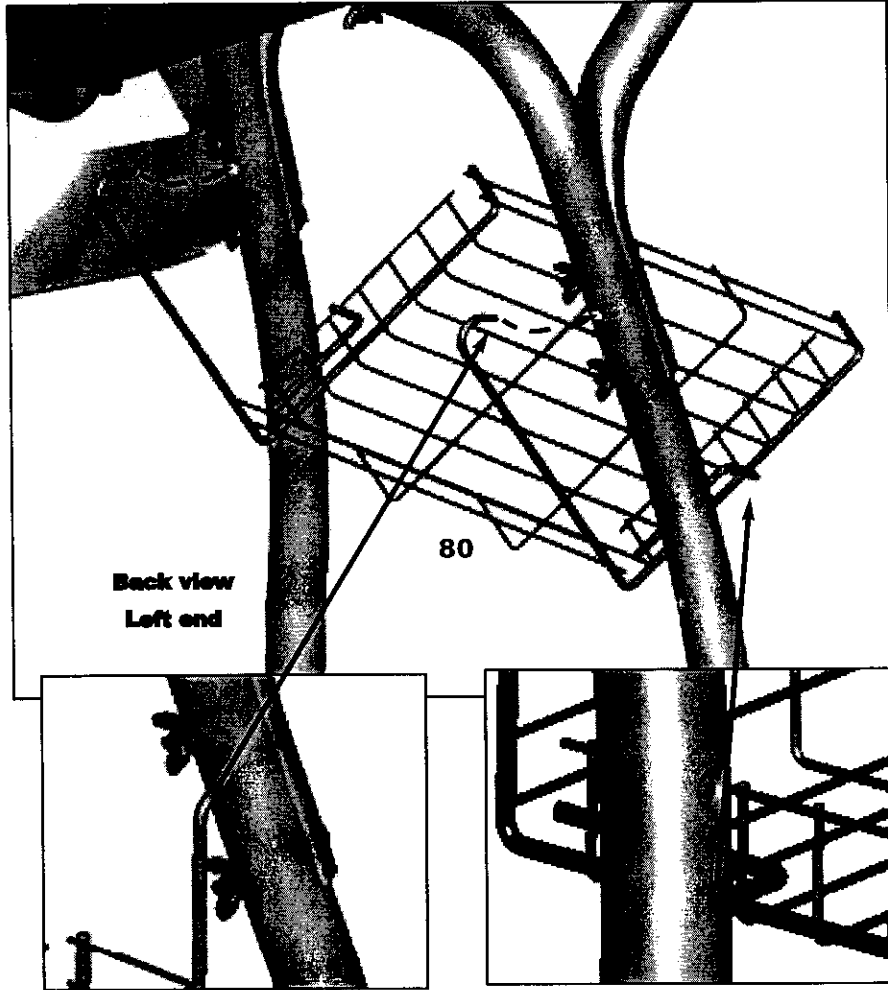
4a-Place the **Warming Rack** (65) into the **Top Casting** first, then lower and insert the pivot wires into the **Bottom Casting**. To center the rack, slightly bend the pivot wires to adjust for a tight fit.



4a-Place the **Warming Rack** (65) into the **Top Casting** first, then lower and insert the pivot wires into the **Bottom Casting**. Place the **Top Warming Rack** (66) into the **Top Casting** first, then lower and insert the pivot wires into the **bottom warming rack**.



4b-Model 16203 only: Insert the **Side Basket (80)** into the left legs.



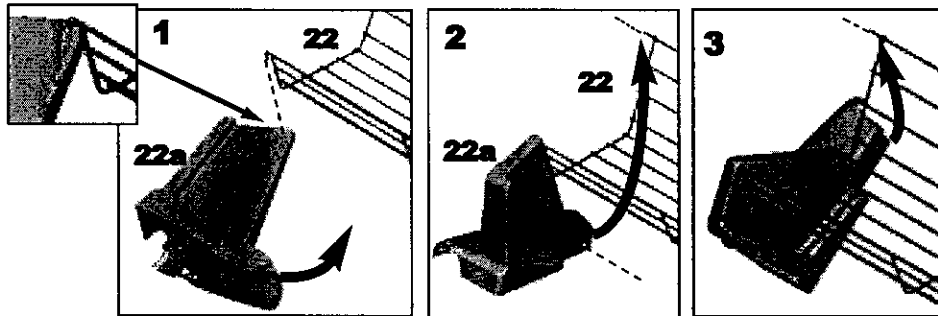
Step 5

Locate Front Basket (22), Basket End Caps (22a and 22b) and Cylinder Wire (78).

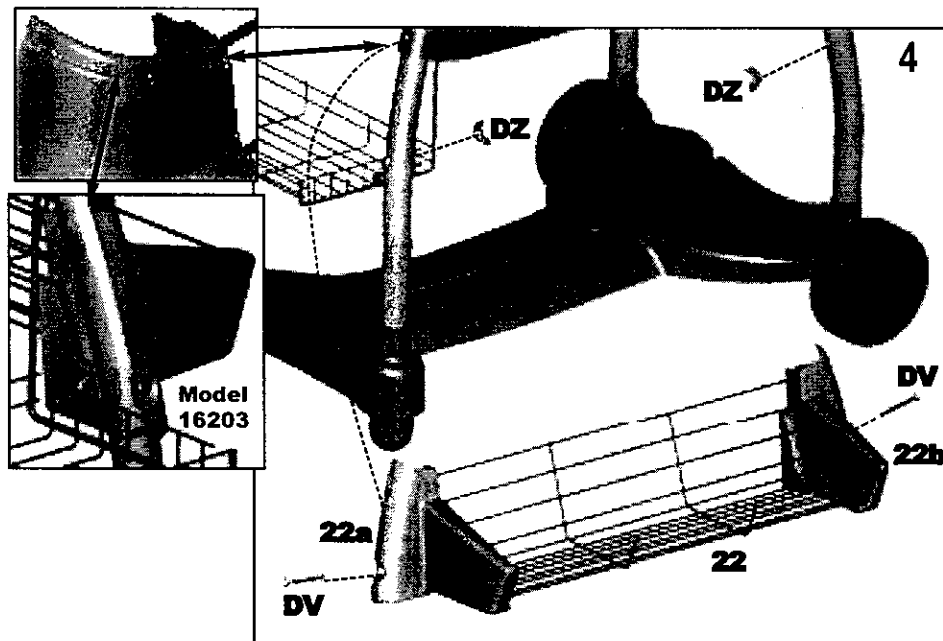
5a- Assemble the Front Basket; see figures 1 thru 3.

1- Insert wire hook of the Front Basket (22) into Basket End Cap (22a) lower hole, and rotate to secure wire hook in hole. See Figures 1 and 2.

2- Rotate the basket end cap up and insert other wire. Repeat for (22b). See Figure 3.

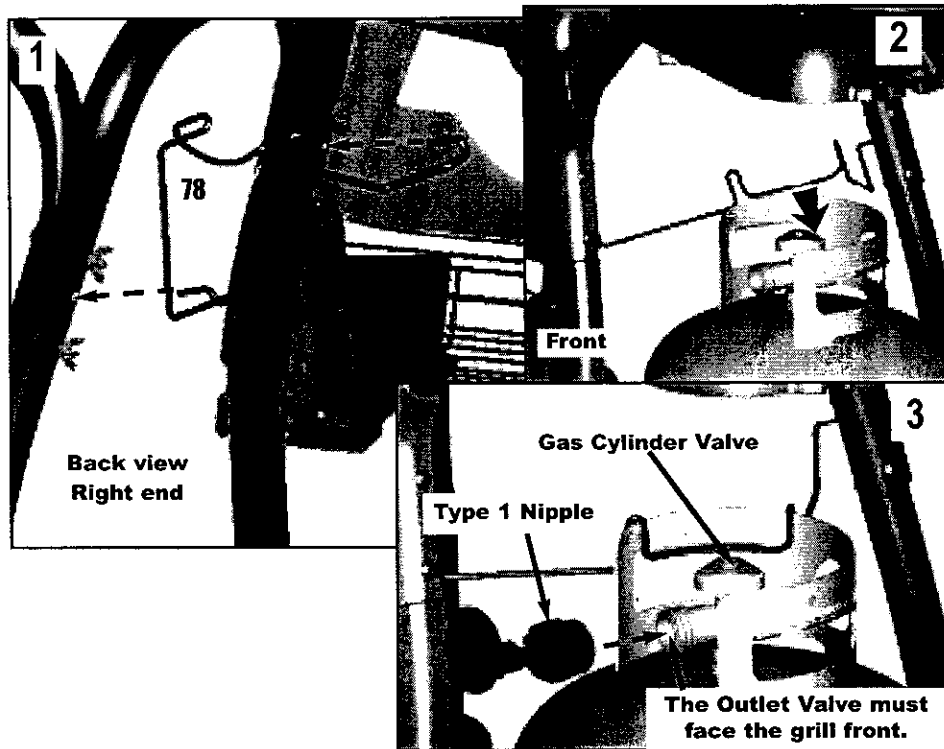


5b- Attach the Basket Assembly to the front legs with 2 screws (DV) and 2 wing nuts (DZ). Slide both Basket End Caps (22a and 22b) under Control Panel. **Note:** On Model 16203; Fit the front basket over the side basket wire foot, Figure 4.



5c-Assemble the Cylinder Wire (78) as shown in steps 1-3.

1. Insert the Cylinder Wire into the right legs, Figure 1.
2. Rotate the wire as shown in Figure 2 until it fits over the Cylinder collar.
3. Attach the Type 1 Nipple to the Cylinder, see Figure 3.

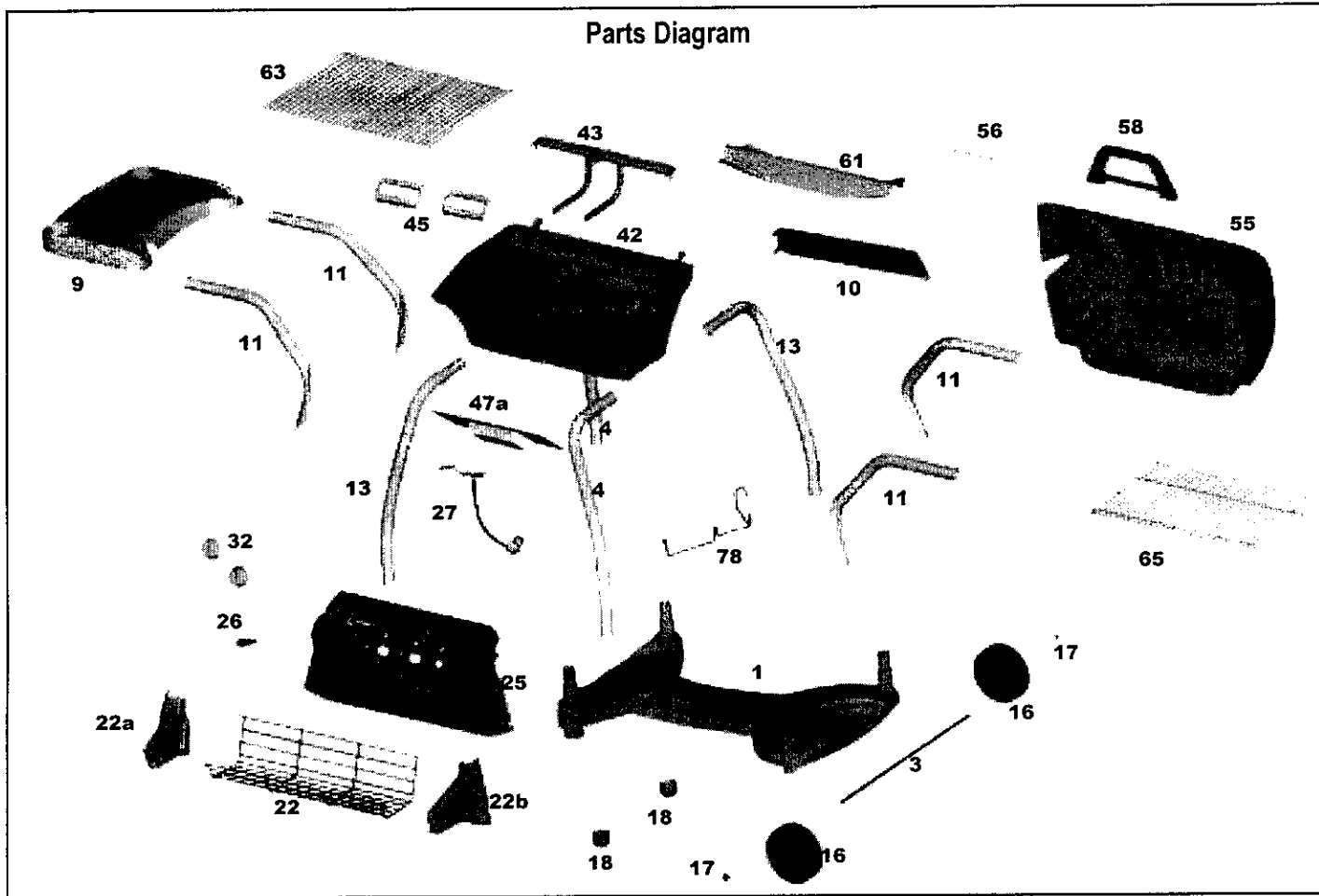


IMPORTANT! To ensure proper gas flow, burner control valves **must be "off"** before opening the gas cylinder valve.



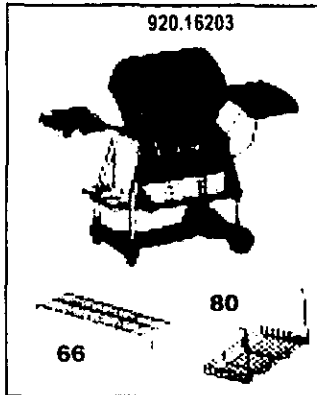
WARNING:

During assembly of grill and when attaching or replacing the LP gas cylinder, ensure that the gas supply hose is free of kinks and/or damage and is at least 3" away from hot surfaces such as the grill casting.



Supplemental Instruction Sheet – pn 11441011

Please disregard Pg 15 of your manual – Refer to this supplemental sheet for all part number info.



Key	Qty	Part Number	Description
1	1	30262007	Full Base
2	2	30250126	Tube Plugs
3	1	01230180	Axle
4	2	11330126	Left Legs
9	2	30260128	Table side
10	1	0121055701	Back Brace
11	4	11330125	Side Supports
13	2	11330127	Right Legs
16	2	30220117	Wheels
17	2	00400251	Hub Caps
22	1	38220133	Front Basket
22a	1	30263001	Left Basket End Cap
22b	1	30263002	Right Basket End Cap
25	1	04572045	Control Box
26b	1	36200175	Main Burner Wire 10"
32	2	30230207	Control Knobs
42	1	3412021901	Bottom Casting
43	1	14410212S	Burner
44	1	14150707	Collector Box Assembly
45	2	01250182	Splash Shields
47a	1	01250181	Heat Shield
49	1	38340139	Grease Cup Wire
55	1	3411032801	Grill Lid
56	1	15120128	Nameplate
58	1	30230228	Handle
61	1	01280169	Heat Tent
65	1	38110172	Warming Rack, Bottom
78	1	38320119	Cylinder Wire

The Top warming rack (66) and side Basket (80) are only available on Model 920.16203

11412242 (Pg. 15)
 ■ Your grill may not have all the parts shown. Please refer to the parts lists for your specific model of grill.

Key	Qty	Part Number 920.16201	Part Number 920.16203	Description
26	1	00404437	00404438	Igniter
27	1	35170189S	35170193S	HVR Assembly
63	1	04160109	3817013773	Cooking Grid(s)
66	1	-----	38110163	Warming Rack, Top
80	1	-----	38220134	Side Basket

Before Using Your Grill

Read Owner's Use and Care Manual:

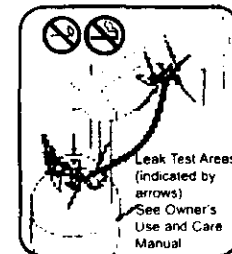
- For proper filling and purging of the cylinder
- For leak testing all gas supply connections
- For correct grill lighting instructions
- For use and storage of the grill and cylinder

WARNING! The edges of sheet metal parts can cause injury if not handled with care. **Use extreme caution!**

WARNING! When leak testing: **DO NOT** smoke. **DO NOT** use fire to test for leaks.

DANGER: To avoid the possibility of an explosion, **never** store a spare LP gas supply cylinder under the grill body nor inside grill enclosure. Refer to the Use and Care manual.

IMPORTANT: Be sure to tighten up all hardware (screws, nuts, bolts, etc.) at least once a year or each grilling season.



Get it fixed, at your home or ours!

Your Home

For repair – in your home – of all major brand appliances, lawn and garden equipment, or heating and cooling systems, no matter who made it, no matter who sold it!

For the replacement parts, accessories and owner's manuals that you need to do-it-yourself.

For Sears professional installation of home appliances and items like garage door openers and water heaters.

1-800-4-MY-HOME[®] Anytime, day or night
(1-800-469-4663) (U.S.A. and Canada)
www.sears.com www.sears.ca

Our Home

For repair of carry-in products like vacuums, lawn equipment, and electronics, call or go on-line for the nearest **Sears Parts and Repair Center.**

1-800-466-1222 Anytime, day or night (U.S.A. only)
www.sears.com

To purchase a protection agreement (U.S.A.) or maintenance agreement (Canada) on a product serviced by Sears:

1-800-827-6655 (U.S.A.)

1-800-361-6665 (Canada)

Para pedir servicio de reparación a domicilio, y para ordenar piezas:

1-888-SU-HOGARSM
(1-888-784-6427)

Au Canada pour service en français:

1-800-LE-FOYER^{MC}
(1-800-533-6937)
www.sears.ca

SEARS

© Sears, Roebuck and Co.

® Registered Trademark / TM Trademark / SM Service Mark of Sears, Roebuck and Co.

® Marca Registrada / TM Marca de Fábrica / SM Marca de Servicio de Sears, Roebuck and Co.

^{MC} Marqué de commerce / ^{MC} Marqué déposée de Sears, Roebuck and Co.