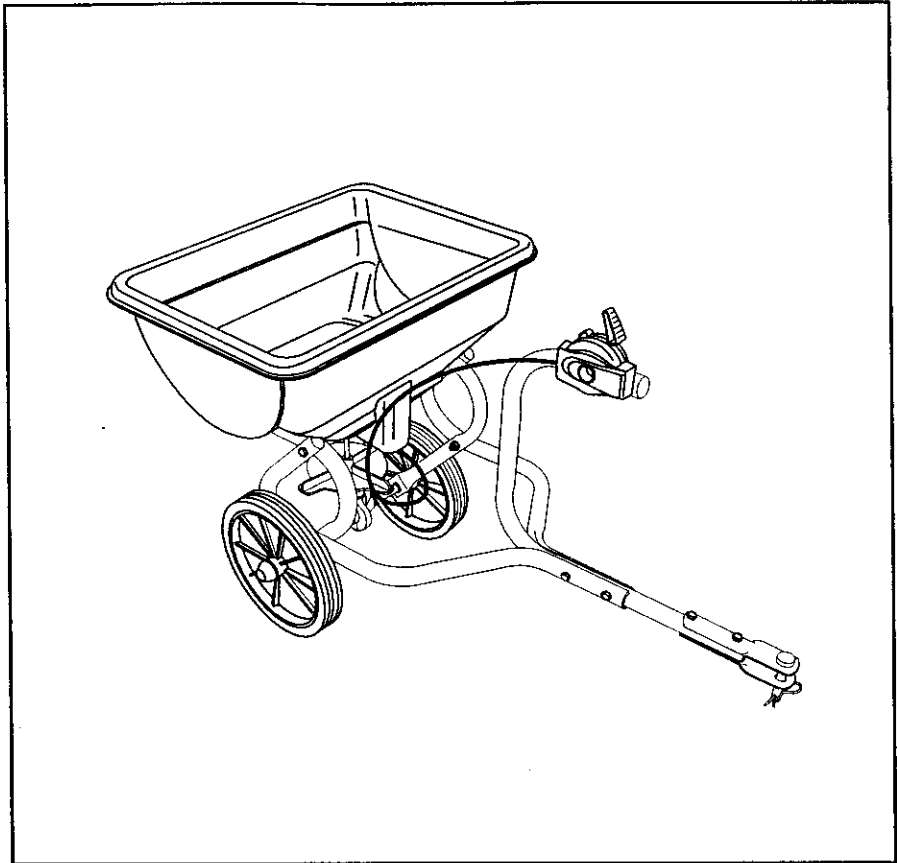


OWNERS MANUAL

**Model No.
45-0313**

CAUTION:
Read Rules for
Safe Operation
and Instructions
Carefully



BROADCAST SPREADER

- Assembly
- Operation
- Maintenance
- Repair Parts

RULES FOR SAFE OPERATION

Any power equipment can cause injury if operated improperly or if the user does not understand how to operate the equipment. Exercise caution at all times when operating equipment.

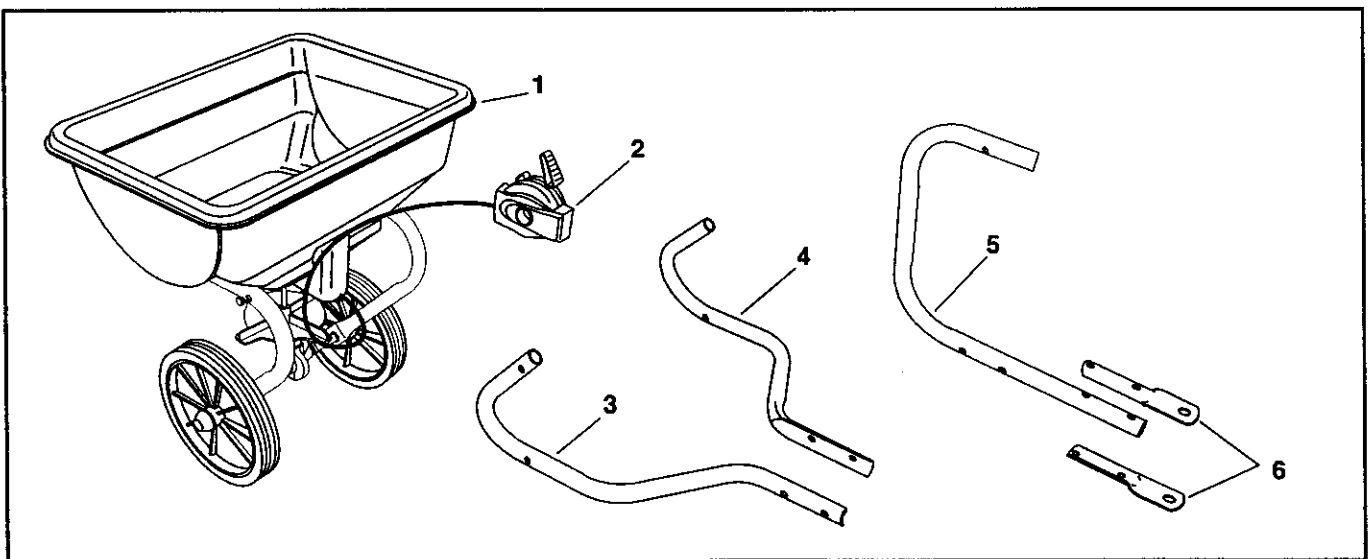
- Read the towing vehicle owners manual and towing vehicle safety rules. Know how to operate your tractor before using the broadcast spreader attachment.
- Read the chemical label instructions and cautions for handling and applying the chemicals purchased for spreading.
- Wear eye and hand protection when handling and when applying lawn or garden chemicals.
- Never operate tractor and spreader attachment without wearing substantial footwear, and do not allow anyone to ride or sit on spreader attachment frame.
- Never allow children to operate the tractor or spreader attachment, and do not allow adults to operate without proper instructions.
- Always begin with the transmission in first (low) gear and with the engine at low speed, and gradually increase speed as conditions permit. Maximum towing speed - 10 M.P.H.
- When towing broadcast spreader do not drive too close to a creek or ditch and be alert for holes and other hazards which could cause you to loose control of the broadcast spreader and tractor.
- Before operating vehicle on any grade (hill) refer to the safety rules in the vehicle owner's manual concerning safe operation on slopes. **Stay off steep slopes!**
- Follow maintenance and lubrication instructions as outlined in this manual.



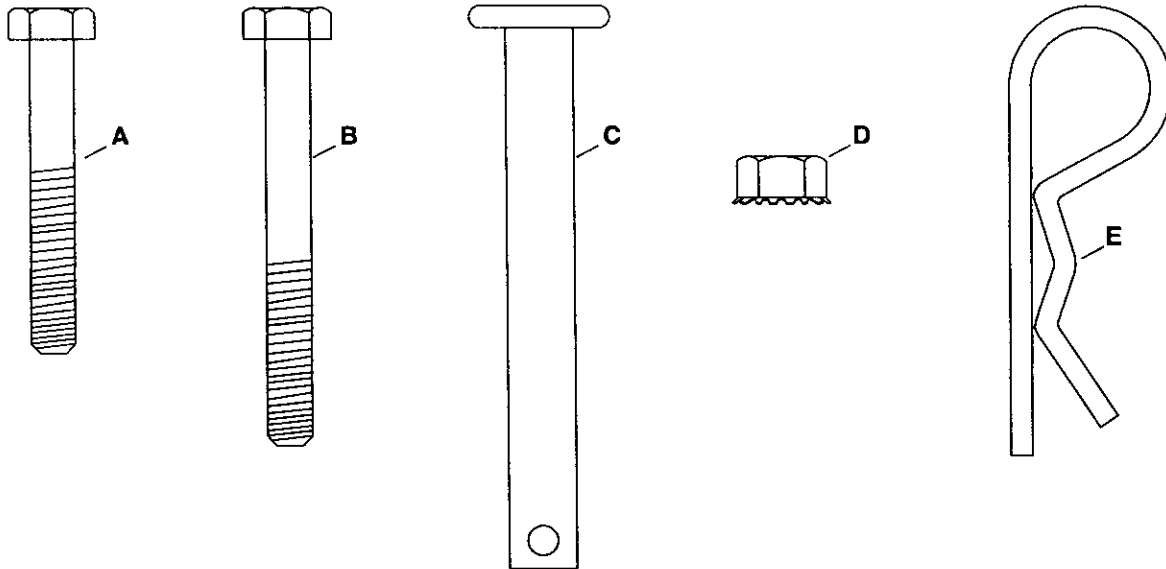
LOOK FOR THIS SYMBOL TO POINT OUT IMPORTANT SAFETY PRECAUTIONS. IT MEANS -- ATTENTION! BECOME ALERT! YOUR SAFETY IS INVOLVED.

CARTON CONTENTS

1. Spreader Assembly
2. Control Cable
3. Hitch Tube, R.H. (Right Hand)
4. Hitch Tube, L.H. (Left Hand)
5. Hitch Control Tube
6. Hitch Brackets (2)



SHOWN FULL SIZE



REF.	QTY.	DESCRIPTION
A	4	Hex Bolt, 1/4 x 1-3/4"
B	4	Hex Bolt, 1/4 x 2-1/4"
C	1	Hitch Pin
D	8	Hex Nut, 1/4-20
E	1	Hair Cotter Pin, 1/8"

TOOLS REQUIRED FOR ASSEMBLY

(2) 7/16" Wrenches

REMOVAL OF PARTS FROM CARTON

- Remove all parts and hardware packages from the carton. Lay out all parts and hardware and identify using the illustrations on page 3.

ASSEMBLY INSTRUCTIONS

1. Assemble vinyl caps onto the ends of the R.H. and L.H. Hitch Tubes. See figure 1.
2. Assemble the R.H. Hitch Tube to the spreader frame tube using two 1/4" x 2-1/4" hex bolts and 1/4" hex nuts. Do not tighten yet. Repeat for L.H. Hitch Tube. See figure 1.

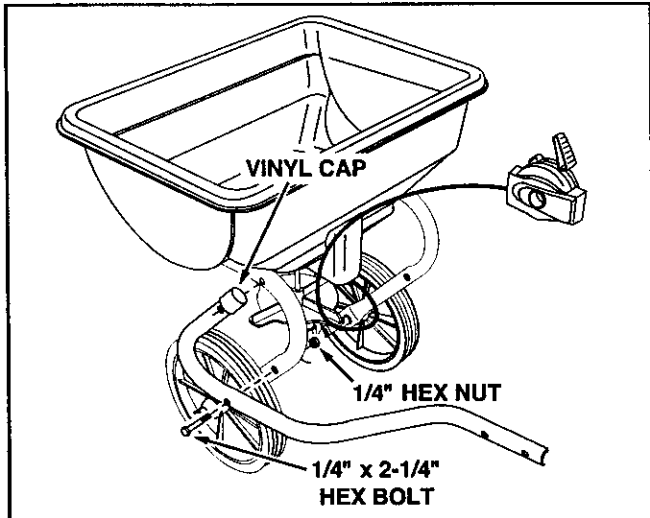


FIGURE 1

3. Assemble the Hitch Control Tube between the Hitch Tubes using two 1/4" x 1-3/4" hex bolts and 1/4" hex nuts. Tighten all bolts and nuts. See figure 2.

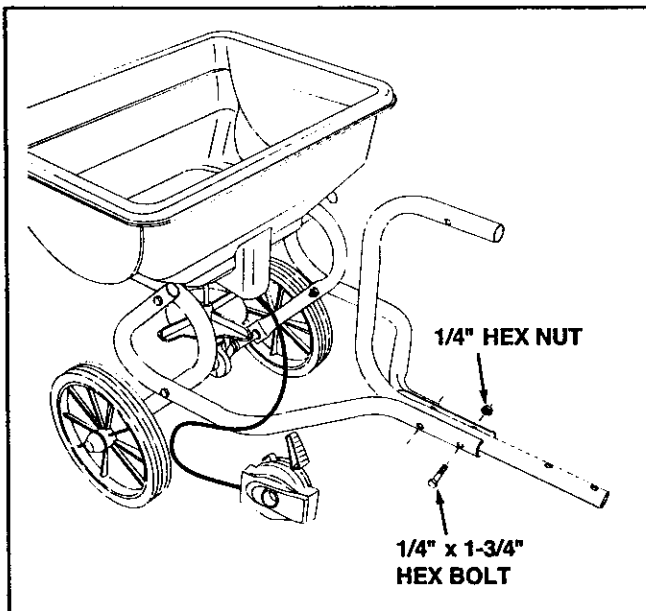


FIGURE 2

4. Assemble the Hitch Brackets to the Hitch Control Tube using two 1/4" x 1-3/4" hex bolts and 1/4" hex nuts. Tighten. See figure 3.
5. Assemble the hitch pin through the hitch brackets and secure with the 1/8" hair cotter pin. See figure 3.

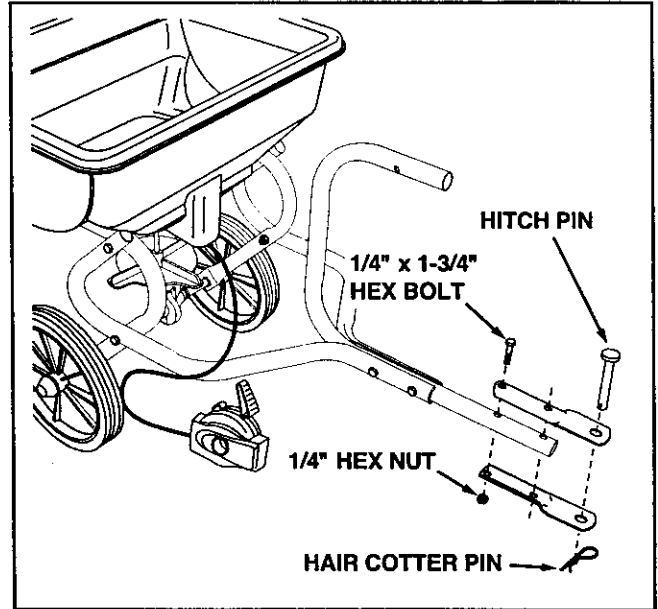


FIGURE 3

6. Assemble the vinyl cap onto the Hitch Control Tube. See figure 4.
7. Assemble the Control Cable to the Hitch Control Tube using the 1/4" x 2-1/4" carriage bolt and nylon wing nut. See figure 4.

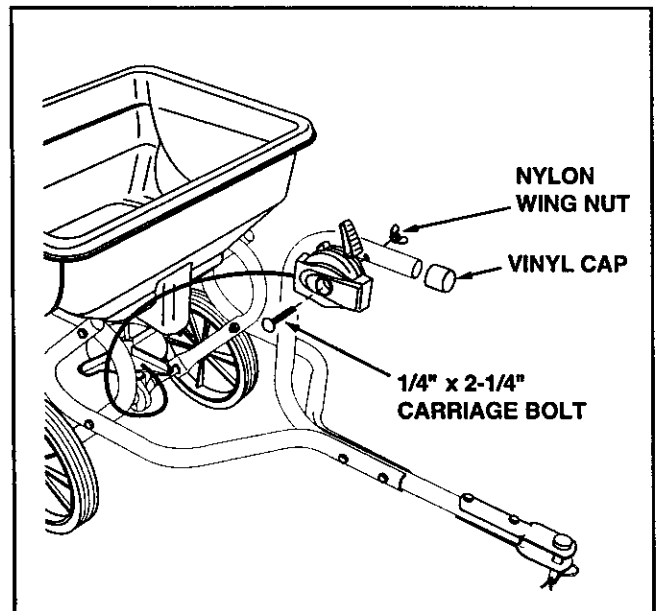


FIGURE 4

OPERATION

HOW TO USE YOUR SPREADER

ADJUSTING THE FLOW RATE SETTING

1. Slide the Adjustable Stop to the desired setting.
2. Move the Flow Control Lever until it snaps into the Adjustable Stop, locking the lever at the desired setting. See figure 5.

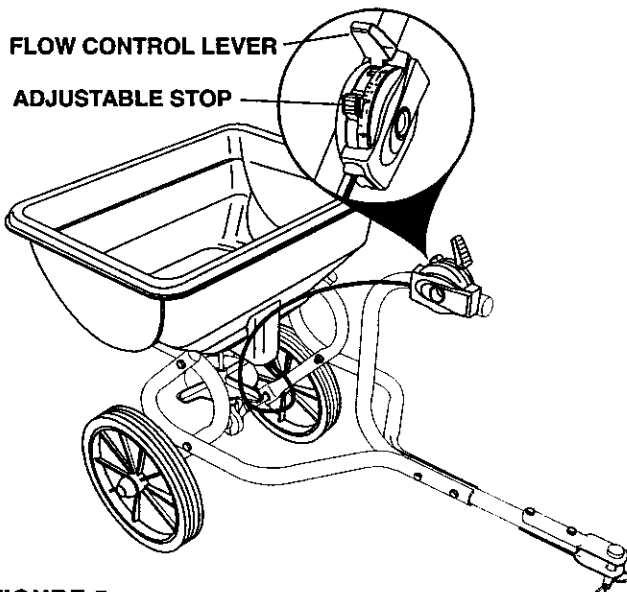


FIGURE 5

USING YOUR SPREADER

1. Check the material package and the Spreader Settings sheet included with your spreader for the proper spreader setting and application rate.
2. Before filling spreader, move the control lever to the "OFF" position.
3. Move spreader onto a flat surface - either a walk or a driveway - and fill.
4. Set the Adjustable Stop to the desired setting.
5. Start the spreader in motion and then start the flow of material by moving the control lever until it snaps into the adjustable stop.

NOTE: Always place control lever in the "OFF" position while filling spreader and when stopping or turning, to prevent release of excess fertilizer.

APPLICATION TIPS

1. This unit will cover a 4 to 8 foot wide area depending on the material used and walking speed of the user.
2. To avoid misses or striping, make each pass about 5 feet from the previous one so some overlapping of spread pattern does occur.
3. For easiest application, spread across the shortest edges of lawn first, making two "header" strips for a turning area, and then spreading between the header strips. See figure 6.
4. If lawn is odd shaped, spread a border around the edges and then spread between the border. See figure 6.
5. Keep wheel approximately 4 feet from any area you do not wish to spread.

IMPORTANT: Be careful when using spreader around ornamental plants because weed control chemicals can damage these plants.

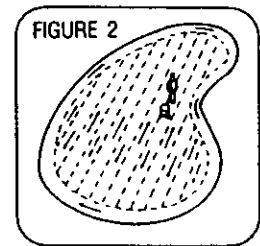
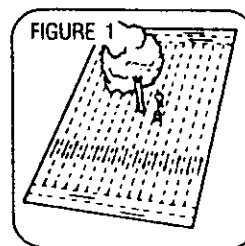


FIGURE 6

MAINTENANCE & STORAGE

CHECK FOR LOOSE FASTENERS

1. Make a thorough visual check of the Spreader for any bolts and nuts which may have loosened. Retighten any loose bolts and nuts.

LUBRICATION

1. Apply a few drops of oil to all moving parts.

CLEANING

1. Always empty spreader after each use, storing left-over material in it's original bag.
2. Wash the spreader and dry thoroughly after each use.

STORAGE

1. Empty and clean the hopper as instructed in maintenance section.
2. Store in a clean, dry area.