



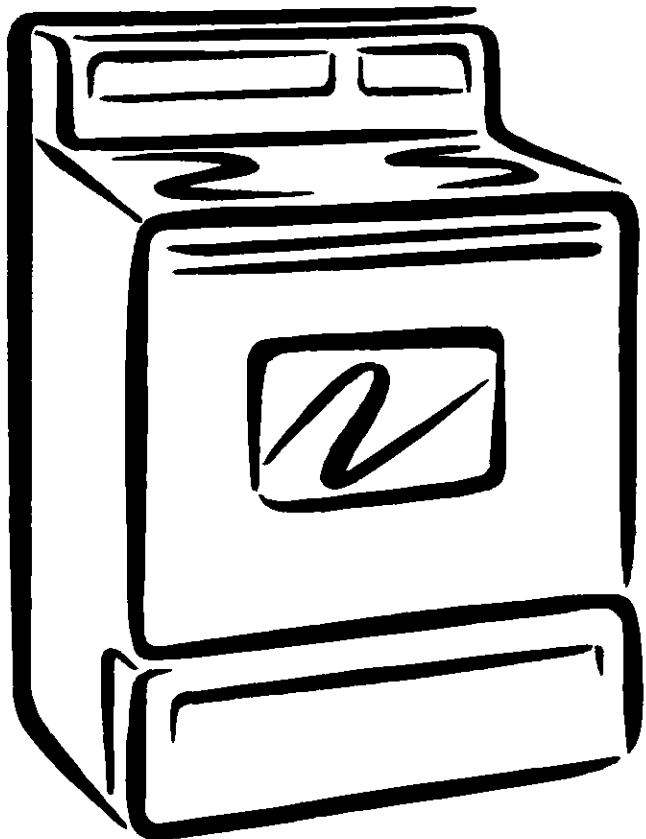
Self-Cleaning Gas Range

Use & Care Guide

Cocina de gas con autolimpieza

Manual de uso y cuidado

Models, Modelos 665.75002 665.75004 665.75012 665.75014
 665.72002 665.72004 665.72012 665.72014



ENGLISH ESPAÑOL

TO THE INSTALLER: PLEASE LEAVE THIS INSTRUCTION BOOK WITH THE UNIT.
TO THE CONSUMER: PLEASE READ AND KEEP THIS BOOK FOR FUTURE REFERENCE.
PARA EL INSTALADOR: FAVOR DE DEJAR ESTE MANUAL DE INSTRUCCIONES CON LA UNIDAD.
PARA EL CONSUMIDOR: FAVOR DE LEER Y GUARDAR ESTE MANUAL PARA FUTURAS REFERENCIAS.

Super Capacity with ULTRABAKE™ System
Capacidad extra con el Sistema ULTRABAKE™

TABLE OF CONTENTS

WE SERVICE WHAT WE SELL	2
WARRANTY	2
RANGE SAFETY	3
The Anti-Tip Bracket	4
PARTS AND FEATURES	5
COOKTOP USE	6
Control Knobs	6
Sealed Surface Burners	7
SURESIMMER™	8
Home Canning	8
Cookware	8
ELECTRONIC OVEN CONTROL	9
Display	9
Start/Enter	9
Off/Cancel	9
Clock	9
Tones	9
Fahrenheit and Celsius	10
Timer	10
Oven Lockout	10
Oven Temperature Control	10
OVEN USE	11
Aluminum Foil	11
Positioning Racks and Bakeware	11
STURDIGLIDE™ Oven Racks	11
Bakeware	12
Oven Vent	12
Baking and Roasting	12
Broiling	13
Timed Oven Control	14
12-Hour Shut-Off	14
RANGE CARE	15
Self-Cleaning Cycle	15
General Cleaning	16
Oven Light	17
Oven Door	17
Storage Drawer	18
TROUBLESHOOTING	18

WE SERVICE WHAT WE SELL

Your purchase has added value because you can depend on Sears Home Central® for service. With over 12,000 trained repair specialists and access to over 4.2 million parts and accessories, we have the tools, parts, knowledge and skills to ensure our pledge: We Service What We Sell.

Sears Maintenance Agreements

Your Kenmore appliance is designed, manufactured and tested to provide years of dependable operation. Yet any major appliance may require service from time to time. The Sears Maintenance Agreement offers you an outstanding service program, affordably priced.

The Sears Maintenance Agreement

- Is your way to buy tomorrow's service at today's price.
- Eliminates repair bills resulting from normal wear and tear.
- Provides for non-technical and instructional assistance.
- Even if you don't need repairs, provides an annual Preventive Maintenance Check, at your request, to ensure that your appliance is in proper running condition.

Some limitations apply. For more information, call 1-800-827-6655.

WARRANTY

FULL ONE-YEAR WARRANTY ON ALL PARTS

For one year from the date of purchase, when this range is installed and operated according to instructions provided in the Installation Instructions and Use & Care Guide, Sears will repair this range, free of charge, if defective in material or workmanship.

WARRANTY RESTRICTION

If the range is subject to other than private family use, the above warranty coverage is effective for only 90 days.

WARRANTY SERVICE

WARRANTY SERVICE IS AVAILABLE BY CONTACTING THE NEAREST SEARS SERVICE CENTER IN THE UNITED STATES. This warranty applies only while the product is in use in the United States. This warranty gives you specific legal rights and you may also have other rights which vary from state to state.

For Sears warranty information in the United States call 1-800-469-4663.

Sears, Roebuck and Co.
D/817WA, Hoffman Estates, IL 60179

PRODUCT RECORD

In the space below, record your complete model number, serial number, and purchase date. You can find this information on the model and serial number label, located as shown in the Parts and Features section of this book. Have this information available to help you quickly obtain assistance or service when you contact Sears concerning your appliance.

Model number **665**

Serial number

Purchase date

Save these instructions and your sales receipt for future reference.

RANGE SAFETY

Your safety and the safety of others are very important.

We have provided many important safety messages in this manual and on your appliance. Always read and obey all safety messages.



This is the safety alert symbol.

This symbol alerts you to potential hazards that can kill or hurt you and others.

All safety messages will follow the safety alert symbol and either the word "DANGER" or "WARNING." These words mean:

⚠ DANGER

You can be killed or seriously injured if you don't immediately follow instructions.

⚠ WARNING

You can be killed or seriously injured if you don't follow instructions.

All safety messages will tell you what the potential hazard is, tell you how to reduce the chance of injury, and tell you what can happen if the instructions are not followed.

WARNING: If the information in this manual is not followed exactly, a fire or explosion may result causing property damage, personal injury or death.

- Do not store or use gasoline or other flammable vapors and liquids in the vicinity of this or any other appliance.
- **WHAT TO DO IF YOU SMELL GAS:**
 - Do not try to light any appliance.
 - Do not touch any electrical switch.
 - Do not use any phone in your building.
 - Immediately call your gas supplier from a neighbor's phone. Follow the gas supplier's instructions.
 - If you cannot reach your gas supplier, call the fire department.
- Installation and service must be performed by a qualified installer, service agency or the gas supplier.

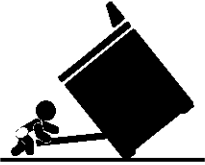
The California Safe Drinking Water and Toxic Enforcement Act requires the Governor of California to publish a list of substances known to the State of California to cause cancer, birth defects, or other reproductive harm, and requires businesses to warn of potential exposure to such substances.

WARNING: This product contains a chemical known to the State of California to cause cancer, birth defects, or other reproductive harm.

This appliance can cause low-level exposure to some of the substances listed, including benzene, formaldehyde, carbon monoxide, toluene, and soot.

The Anti-Tip Bracket

The range will not tip during normal use. However, the range can tip if you apply too much force or weight to the open door without the anti-tip bracket fastened down properly.



! WARNING

Tip Over Hazard

A child or adult can tip the range and be killed.

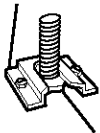
Connect anti-tip bracket to rear range foot.

Reconnect the anti-tip bracket, if the range is moved.

See the installation instructions for details.

Failure to follow these instructions can result in death or serious burns to children and adults.

Anti-Tip Bracket



Range Foot

Making sure the anti-tip bracket is installed:

- Slide range forward.
- Look for the anti-tip bracket securely attached to floor.
- Slide range back so rear range foot is under anti-tip bracket.

IMPORTANT SAFETY INSTRUCTIONS

WARNING: To reduce the risk of fire, electrical shock, injury to persons, or damage when using the range, follow basic precautions, including the following:

- **WARNING:** TO REDUCE THE RISK OF TIPPING OF THE RANGE, THE RANGE MUST BE SECURED BY PROPERLY INSTALLED ANTI-TIP DEVICES. TO CHECK IF THE DEVICES ARE INSTALLED PROPERLY, SLIDE RANGE FORWARD, LOOK FOR ANTI-TIP BRACKET SECURELY ATTACHED TO FLOOR, AND SLIDE RANGE BACK SO REAR RANGE FOOT IS UNDER ANTI-TIP BRACKET.
- **CAUTION:** Do not store items of interest to children in cabinets above a range or on the backguard of a range – children climbing on the range to reach items could be seriously injured.
- **Proper Installation** – The range, when installed, must be electrically grounded in accordance with local codes or, in the absence of local codes, with the *National Electrical Code, ANSI/NFPA 70*. Be sure the range is properly installed and grounded by a qualified technician.
- This range is equipped with a three-prong grounding plug for your protection against shock hazard and should be plugged directly into a properly grounded receptacle. Do not cut or remove the grounding prong from this plug.

- Disconnect the electrical supply before servicing the appliance.
- Never Use the Range for Warming or Heating the Room.
- Injuries may result from the misuse of appliance doors or drawers such as stepping, leaning, or sitting on the doors or drawers.
- Maintenance – Keep range area clear and free from combustible materials, gasoline, and other flammable vapors and liquids.
- Storage in or on the Range – Flammable materials should not be stored in an oven or near surface units.
- Top burner flame size should be adjusted so it does not extend beyond the edge of the cooking utensil.

For self-cleaning ranges –

- Before Self-Cleaning the Oven – Remove broiler pan and other utensils. Wipe off all excessive spillage before initiating the cleaning cycle.

SAVE THESE INSTRUCTIONS

PARTS AND FEATURES

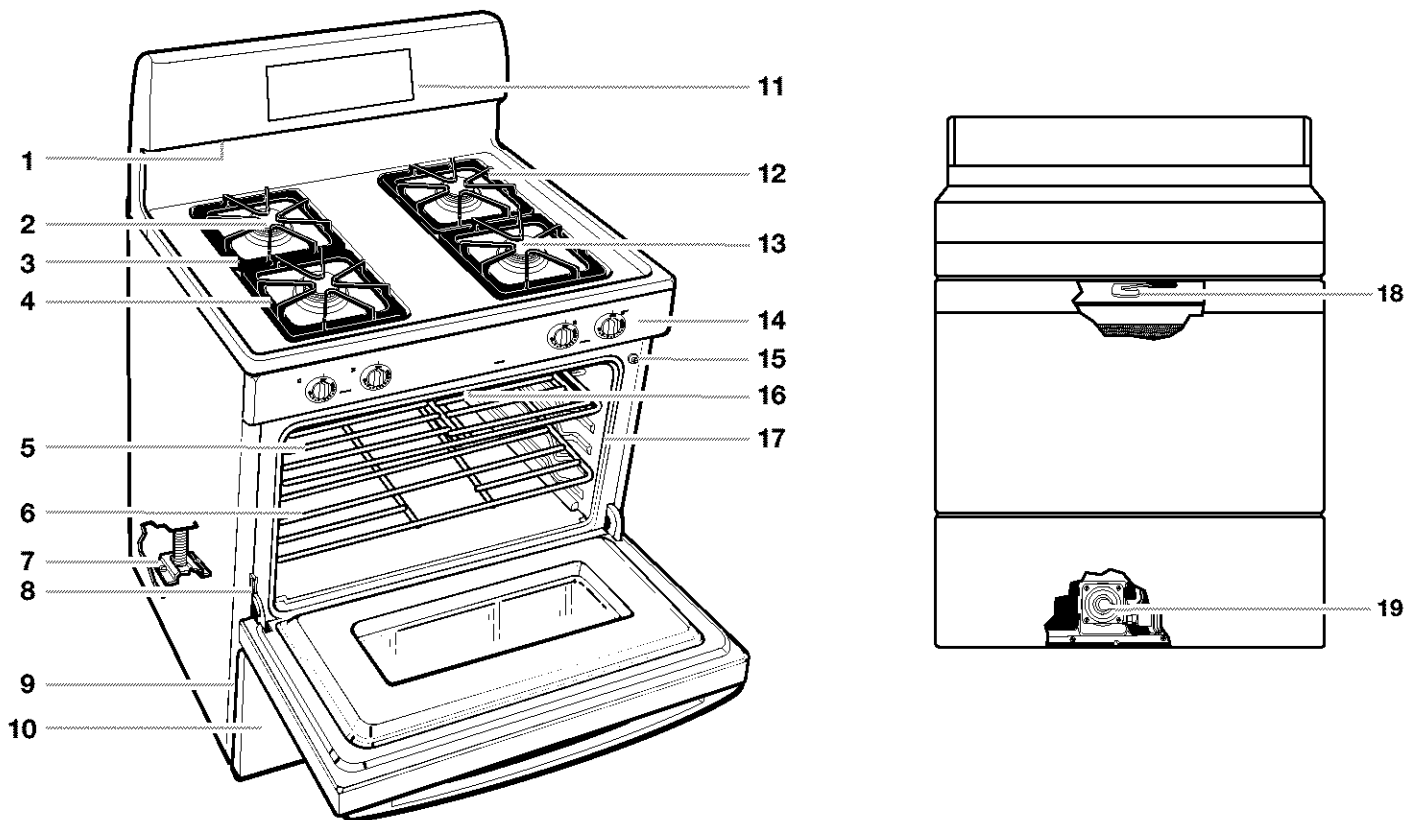
This manual covers several different models. The range you have purchased may have some or all of the items listed. The locations and appearances of the features shown here may not match your model.

Control Panel



- 1. Surface Burner Indicator Light
- 2. Left Rear Control
- 3. Left Front Control (Power Burner)
- 4. Right Front Control (Power Burner on some models)
- 5. Right Rear Control (SURESIMMER™)

Range



- 1. Oven Vent
- 2. Sealed Surface Burner
- 3. Burner Grate System
- 4. Power Burner
- 5. STURDIGLIDE™ Half Rack with removable insert (on some models)
- 6. STURDIGLIDE Oven Rack with integrated handle (on some models)
- 7. Anti-Tip Bracket
- 8. Door Stop clip
- 9. Model and Serial Number Plate (behind left side of storage drawer)
- 10. Storage Drawer
- 11. Electronic Oven Control
- 12. SURESIMMER Burner
- 13. Power Burner (on some models)
- 14. Control Panel
- 15. Automatic Oven Light Switch
- 16. Broil Element (not shown)
- 17. Gasket
- 18. Self-Clean Latch
- 19. Gas Regulator

COOKTOP USE

Control Knobs

⚠ WARNING



Fire Hazard

Do not let the burner flame extend beyond the edge of the pan.

Turn off all controls when not cooking.

Failure to follow these instructions can result in death or fire.

Electric igniters automatically light the surface burners when control knobs are turned to LITE.

Before setting a control knob, place filled cookware on the grate. Do not operate a burner using empty cookware or while the grate is vacant.

To Set:

1. Push in and turn knob counterclockwise to LITE.
All four surface burners will click. Only the burner with the control knob turned to LITE will produce a flame.

2. Turn knob anywhere between HI and LO. Use the following chart as a guide when setting heat levels.

SETTING	RECOMMENDED USE
LITE	■ Light the burner.
HI	■ Start food cooking. ■ Bring liquid to a boil.
Mid-range (between HI and LO)	■ Hold a rapid boil. ■ Quickly brown or sear food. ■ To fry chicken. ■ Maintain a slow boil. ■ Fry or sauté foods. ■ Cook soups, sauces and gravies.
LO	■ Keep food warm. ■ To simmer.
Power Burner (left front burner)	■ Provide highest heat setting
SURESIMMER™ (right rear burner)	■ Provide lowest simmer/heat setting. ■ Melt chocolate or butter.

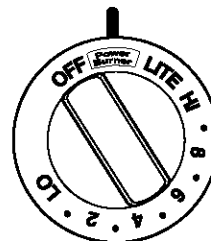
REMEMBER: When range is in use or during the Self-Cleaning cycle, the entire cooktop area may become hot.

Power failure

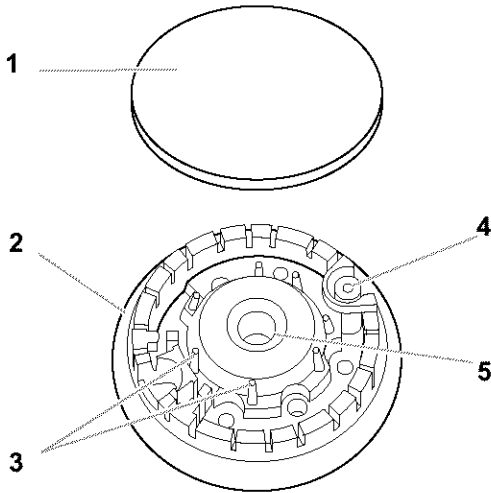
In case of prolonged power failure, the surface burners can be lit manually. Hold a lit match near a burner and turn knob counterclockwise to LITE. After burner lights, turn knob to setting.

Power Burner

The left front burner is designed to give ultra-high power when it is fully on. It can be used to rapidly bring liquid to a boil and to cook large quantities of food. On some models both front burners are Power Burners.



Sealed Surface Burners

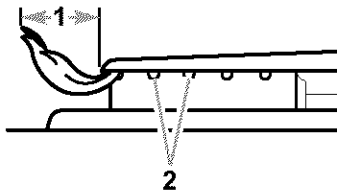


1. Burner cap
2. Burner base
3. Alignment pins
4. Ignitor
5. Gas tube opening

IMPORTANT: Do not obstruct the flow of combustion and ventilation air around the burner grate edges.

Burner cap: Always keep the burner cap in place when using a surface burner. A clean burner cap will help prevent poor ignition and uneven flames. Always clean the burner cap after a spill-over and routinely remove and clean the caps according to the "General Cleaning" section.

Gas tube opening: Gas must flow freely throughout the gas tube opening for the burner to light properly. **Keep this area free of soil and do not allow spills, food, cleaning agents or any other material to enter the gas tube opening.** Protect it from spillovers by always using a burner cap.



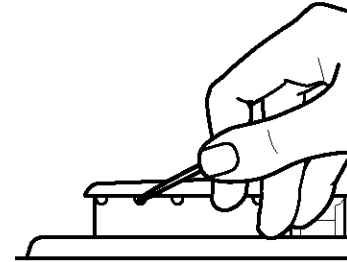
1. 1-1½" (25-38 mm)
2. Burner ports

Burner ports: Check burner flames occasionally for proper size and shape as shown above. A good flame is blue in color, not yellow. Keep this area free of soil and do not allow spills, food, cleaning agents or any other material to enter the burner ports.

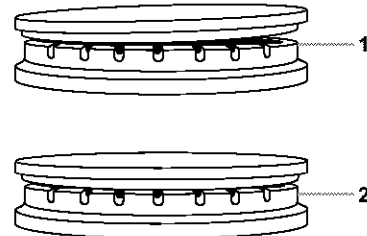
To Clean:

IMPORTANT: Before cleaning, make sure all controls are off and the oven and cooktop are cool. Do not use oven cleaners, bleach or rust removers.

1. Remove the burner cap from the burner base and clean according to "General Cleaning" section.
2. Clean the gas tube opening with a damp cloth.
3. Clean clogged burner ports with a straight pin as shown. Do not enlarge or distort the port. Do not use a wooden toothpick. If the burner needs to be adjusted, contact a Sears trained repair specialist.



4. Replace the burner cap, making sure the alignment pins on the cap are properly aligned with the burner base.



1. Incorrect
2. Correct

5. Turn on the burner. If the burner does not light, check cap alignment. If the burner still does not light, do not service the sealed burner yourself, but contact a Sears trained repair specialist.

SURESIMMER™

The SURESIMMER burner is an adjustable heat setting for more precise simmering and low temperature cooking. It is the right rear burner. When the SURESIMMER burner is not on, the right rear burner will function as usual.



To Use:

1. Push the right rear knob in and turn counterclockwise to "SURESIMMER".
2. Push in and turn knob to OFF when finished.

Home Canning

When canning for long periods, alternate the use of surface cooking areas, elements or surface burners between batches. This allows time for the most recently used areas to cool.

- Center the canner on the grate or largest surface cooking area or element. Canners should not extend more than 1 in. (2.5 cm) outside the cooking area.
- Do not place canner on two surface cooking areas, elements or surface burners at the same time.
- On ceramic glass models, only use flat-bottomed canners.
- On coil element models, the installation of a Canning Unit Kit is recommended. If not installed, the life of the coil element will be shortened. See back cover for ordering instructions.
- For more information, contact your local U.S. Government Agricultural Department Extension Office. Companies who manufacture home canning products can also offer assistance.

Cookware

IMPORTANT: Never leave empty cookware on a hot surface cooking area, element or surface burner.

Ideal cookware should have a flat bottom, straight sides, a well-fitting lid and the material should be of medium-to-heavy thickness.

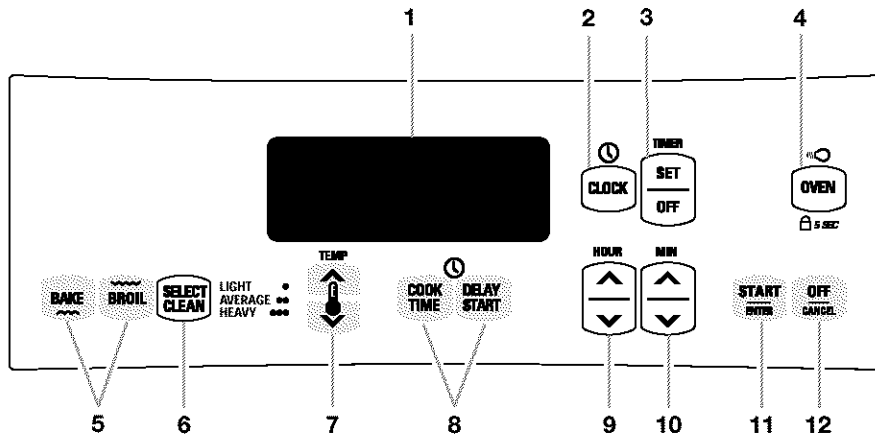
Cookware material is a factor in how quickly and evenly heat is transferred, which affects cooking results. A non-stick finish has the same characteristics as its base material. For example, aluminum cookware with a non-stick finish will take on the properties of aluminum.

Use the following chart as a guide for cookware material characteristics.

COOKWARE	CHARACTERISTICS
*Aluminum	<ul style="list-style-type: none"> ■ Heats quickly and evenly. ■ Suitable for all types of cooking. ■ Medium or heavy thickness is best for most cooking tasks.
Cast iron	<ul style="list-style-type: none"> ■ Heats slowly and evenly. ■ Good for browning and frying. ■ Maintains heat for slow cooking. ■ Rough surfaces may scratch cooktop.
Ceramic or Ceramic glass	<ul style="list-style-type: none"> ■ Follow manufacturer's instructions. ■ Rough surfaces may scratch cooktop. ■ Heats slowly, but unevenly. ■ Ideal results on low to medium heat settings.
*Copper	<ul style="list-style-type: none"> ■ Heats very quickly and evenly.
Earthenware	<ul style="list-style-type: none"> ■ Follow manufacturer's instructions. ■ Use on low heat settings.
Porcelain enamel-on-steel or cast iron	<ul style="list-style-type: none"> ■ See stainless steel or cast iron.
Stainless steel	<ul style="list-style-type: none"> ■ Heats quickly, but unevenly. ■ A core or base of aluminum or copper on stainless steel provides even heating.

*Aluminum and copper may be used as a core or base in cookware. When used as a base it can leave permanent marks on the cooktop or grates.

ELECTRONIC OVEN CONTROL



- | | | |
|----------------------------|---|-----------------|
| 1. Display | 5. Oven Selectors | 9. HOUR |
| 2. CLOCK | 6. SELECT CLEAN™ Self-Clean
(on some models) | 10. MINUTE |
| 3. TIMER | 7. Temperature Setting | 11. START/ENTER |
| 4. Oven Light/Oven Lockout | 8. Timed Cooking | 12. OFF/CANCEL |

Display

When power is first supplied to the appliance, make sure the surface burners are in the OFF position. Everything on the display will light up for 5 seconds. Then the time, "PF" and a picture of a cooktop will appear on the display.

Any other time "PF" and a picture of a cooktop appears, a power failure occurred. To remove "PF" and to reset the clock, press OFF/CANCEL.

When the oven is in use, this display shows time, temperature and what command pads have been pressed.

When the oven is not in use, the display will show the time of day.

Start/Enter

The START/ENTER pad begins any oven function except the Timer. If not pressed within 5 seconds after pressing a pad, "START?" will appear on the display as a reminder. If not pressed within 5 minutes after pressing a pad, the display will show the time of day and the programmed function will be cancelled.

Off/Cancel

The OFF/CANCEL pad stops any oven function except for the Clock, Timer and Cooktop or Oven Lockouts.

After pressing OFF/CANCEL, the display will show the time of day or, if the minute timer is also being used, the time remaining.

Clock

This is a 12 hour clock and does not show a.m. or p.m.

To Set:

1. Press CLOCK.
2. Press the HOUR/MIN "up" or "down" arrow pads until the correct time of day shows on the display.
3. Press CLOCK or START/ENTER.

Tones

Tones are audible signals, indicating the following:

One tone

- Valid pad press
- Oven is preheated
- Function has been entered

Three tones

- Invalid pad press

Four tones

- End-of-cycle
- Reminder, repeating each minute after the end-of-cycle tones

Error Tones

Error tones indicate a problem with the electronic oven control. An error code will appear in the display.

Tone Volume

The volume can be adjusted between high and low.

To Change: Press and hold DELAY START for 5 seconds. A short tone will sound and either “Snd HI” or “Snd Lo” will appear on the display. Press and hold DELAY START again for 5 seconds to change to desired setting.

To remove “Snd on”, “Snd OFF”, “rEP on”, “Snd HI” or “Snd Lo” press any pad, and the time of day will appear on the display.

Reminder Tones

Reminder tones are four 1-second tones which indicate that the set time has expired for a timer or a timed oven control function.

Timer

To Turn Tones Off/On: Press and hold SET/OFF for 5 seconds. A short tone will sound and “rEP OFF” will appear on the display. Repeat to turn back on.

Timed Cooking

To Turn Tones Off/On: Press and hold COOK TIME. A short tone will sound and “Snd OFF” will appear on the display. Repeat to turn back on.

Fahrenheit and Celsius

The temperature is preset at Fahrenheit, but can be changed to Celsius.

To Change: Press and hold BROIL for 5 seconds. A short tone will sound and the temperatures displayed will switch to “C°”. Repeat to change back to Fahrenheit.

Timer

The Timer can be set in minutes and seconds or hours and minutes and counts down the set time. The Timer does not start or stop the oven.

To Set:

1. Press TIMER SET.
2. Press the HOUR/MIN “up” or “down” arrow pads until the correct length of time shows on the display.
3. Press START/ENTER or TIMER SET.
The Timer will begin counting down after the Timer is started. The display will count down in hours and minutes if remaining time is one hour or more, and in minutes and seconds if remaining time is less than one hour.
When the set time ends, four 1-second tones, if enabled, will sound, then reminder tones will sound every minute.
4. Press TIMER OFF anytime to cancel the Timer and/or stop reminder tones.

Oven Lockout

The Oven Lockout prevents unintended use of the control panel command keypads. The oven can only be locked out when the oven is not in use or the oven control has not been set.

The oven will remain locked out after a power failure if it was locked before the power failure.

To Lock/Unlock Oven:

Press and hold OVEN for 5 seconds. A single tone will sound and “Loc” and a picture of a lock will appear on the display.

Three tones will sound when the oven is locked and any command pad other than CLOCK, TIMER, START/ENTER, OFF/CANCEL, TOP or OVEN has been pressed.

To unlock oven, press and hold OVEN for 5 seconds. “Loc” and a picture of a lock will disappear from the display.

Oven Temperature Control

IMPORTANT: Do not use a thermometer to measure oven temperature because opening the oven door and element or burner cycling may give incorrect readings.

The oven provides accurate temperatures; however, it may cook faster or slower than your previous oven, so the temperature calibration can be adjusted. It can be changed in Fahrenheit or Celsius.

A minus sign means the oven will cook cooler by the adjustment amount. No sign means the oven will cook warmer by the adjustment amount. Use the following chart as a guide.

ADJUSTMENT °F (ADJUSTMENT °C)	COOKS FOOD
10°F (6°C)	...a little more
20°F (12°C)	...moderately more
30°F (18°C)	...much more
-10°F (-6°C)	...a little less
-20°F (-12°C)	...moderately less
-30°F (-18°C)	...much less

To Adjust Oven Temperature Calibration:

1. Press and hold BAKE for 5 seconds until the oven display shows the current calibration, for example, “0° CAL”.
2. Press the TEMP “up” or “down” arrow pad to increase or to decrease the temperature in 10°F (6°C) amounts. The adjustment can be set between 30°F (18°C) and -30°F (-18°C).
3. Press START/ENTER.

OVEN USE

Aluminum Foil

IMPORTANT: Do not line the oven bottom with any type of foil, liners or cookware because permanent damage will occur to the oven bottom finish.

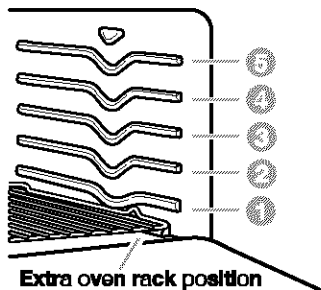
- Do not block or cover the oven bottom vents.
- Do not cover entire rack with foil because air must be able to move freely for best cooking results.
- To catch spills, place foil on rack below dish. Make sure foil is at least 1 in. (2.5 cm) larger than the dish and that it is turned up at the edges.

Positioning Racks and Bakeware

IMPORTANT: Never place food or bakeware directly on the oven door or bottom. Permanent damage will occur to the porcelain finish.

RACKS

Position racks before turning the oven on. Do not move racks with bakeware on them. Make sure racks are level. To move a rack, pull it out to the stop position, raise the front edge, then lift out. Use the following illustration and chart as a guide.



FOOD	RACK POSITION
Frozen pies, large roasts, turkeys, angel food cakes	1 or 2
Bundt cakes, most quick breads, yeast breads, casseroles, meats	2
Cookies, biscuits, muffins, cakes, non-frozen pies	2 or 3
Extra large items	Extra oven rack

BAKEWARE

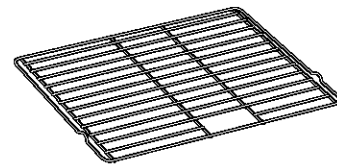
To cook food evenly, hot air must be able to circulate. Allow 2 in. (5 cm) of space around bakeware and oven walls. Use the following chart as a guide.

NUMBER OF PAN(S)	POSITION ON RACK
1	Center of rack.
2	Side by side or slightly staggered.
3 or 4	Opposite corners on each rack. Make sure that no bakeware piece is directly over another.

STURDIGLIDE™ Oven Racks

Rack with Integrated Handle

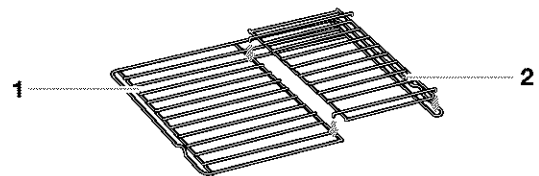
The integrated handle area makes pulling out the rack easy. The opening is large enough for a potholder or oven mitt.



Half-Rack with Removable Insert

The half-rack with removable insert is a space maximizer. When the two are attached, they make a full rack. The insert can also be used on the counter for a cooling rack.

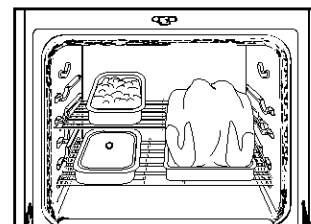
Do not place more than 25 pounds on the half-rack.



1. Half-Rack
2. Removable Insert

To Position Racks:

1. Place a full rack on position 1 or 2, and the half-rack on position 3 or 4.
2. Place large items on the right side of the full rack.
3. Place deeper, covered dishes on the left side of the full rack.
4. Place shallow dishes on the half-rack.
5. When finished cooking, carefully remove items.

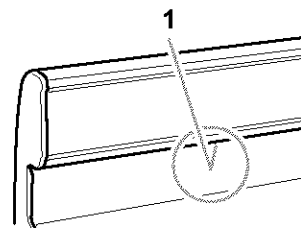


Bakeware

The bakeware material affects cooking results. Follow manufacturer's recommendations and use the bakeware size recommended in the recipe. Use the following chart as a guide.

BAKEWARE/ RESULTS	RECOMMENDATIONS
Light colored aluminum <ul style="list-style-type: none"> ■ Light golden crusts ■ Even browning 	<ul style="list-style-type: none"> ■ Use temperature and time recommended in recipe.
Dark aluminum and other bakeware with dark, dull and/or non-stick finish <ul style="list-style-type: none"> ■ Brown, crisp crusts 	<ul style="list-style-type: none"> ■ May need to reduce baking temperatures 25°F (15°C). ■ Use suggested baking time. ■ For pies, breads and casseroles, use temperature recommended in recipe. ■ Place rack in center of oven.
Insulated cookie sheets or baking pans <ul style="list-style-type: none"> ■ Little or no bottom browning 	<ul style="list-style-type: none"> ■ Place in the bottom third of oven. ■ May need to increase baking time.
Stainless steel <ul style="list-style-type: none"> ■ Light, golden crusts ■ Uneven browning 	<ul style="list-style-type: none"> ■ May need to increase baking time.
Stoneware <ul style="list-style-type: none"> ■ Crisp crusts 	<ul style="list-style-type: none"> ■ Follow manufacturer's instructions.
Ovenproof glassware, ceramic glass or ceramic <ul style="list-style-type: none"> ■ Brown, crisp crusts 	<ul style="list-style-type: none"> ■ May need to reduce baking temperatures 25°F (15°C).

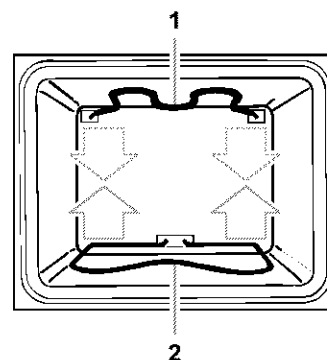
Oven Vent



1. Oven Vent

The oven vent releases hot air and moisture from the oven, and should not be blocked or covered. Doing so will cause poor air circulation, affecting cooking and cleaning results. Never set plastics, paper or other items that could melt or burn near the oven vent.

Baking and Roasting



1. Broil element
2. Bake element

ULTRABAKE™ Temperature Management System

The ULTRABAKE system electronically regulates the oven heat levels during preheat and bake to maintain a precise temperature range for optimal cooking results. The bake and broil elements cycle on and off in intervals. This feature is automatically activated when the oven is in use.

If the oven door is opened during baking and roasting, the broil element will turn off immediately and the bake element will turn off in 2 minutes. They will come back on once the door is closed.

To Bake or Roast:

Before baking and roasting, position the racks according to the "Positioning Racks and Bakeware" section. When roasting, it is not necessary to wait for the oven to preheat before putting food in, unless recommended in the recipe.

1. Press **BAKE**.

Press the TEMP "up" or "down" arrow pad to enter a temperature other than 350°F (177°C). The bake range can be set between 170°F and 500°F (77°C and 260°C).

2. Press START/ENTER.

A preheat time will count down and "PrE HEAT" will appear on the oven display if the actual oven temperature is under 170°F (77°C).

When the actual oven temperature reaches 170°F (77°C), the timer will continue counting down. The temperature setting can be changed any time after pressing START/ENTER.

While the oven is in the preheat mode, the set temperature can be seen for 5 seconds by pressing BAKE.

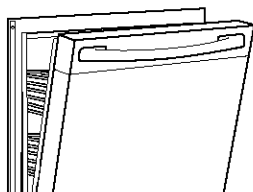
When the set temperature is reached, if tones are enabled, one tone will sound.

3. Press OFF/CANCEL when finished cooking.

Broiling

- Use only the broiler pan and grid provided with the range. It is designed to drain juices and help prevent spatter and smoke.
- For proper draining, do not cover the grid with foil. The bottom of the pan may be lined with aluminum foil for easier cleaning.
- Trim excess fat to reduce spattering. Slit the remaining fat on the edges to prevent curling.
- Pull out oven rack to stop position before turning or removing food. Use tongs to turn food to avoid the loss of juices. Very thin cuts of fish, poultry or meat may not need to be turned.
- After broiling, remove the pan from the oven when removing the food. Drippings will bake on the pan if left in the heated oven, making cleaning more difficult.

Broiling uses direct radiant heat to cook food. Before broiling, position rack according to Broiling chart. It is not necessary to preheat the oven before putting food in unless recommended in the recipe. Position food on grid in the broiler pan, then place it in the center of the oven rack.



To Broil:

1. Open oven door to the broil stop position to ensure proper broiling temperature.
2. Press BROIL.
3. Press START/ENTER.

The temperature setting can be changed any time before or after pressing START/ENTER.

4. Press OFF/CANCEL when finished.

Precision Broiling

Changing the temperature when Precision Broiling allows more precise control while cooking. The lower the temperature, the slower the cooking. Thicker cuts and unevenly shaped pieces of meat, fish and poultry may cook better at lower broiling temperatures.

To Precision Broil:

1. Press BROIL.
2. Press the TEMP "down" arrow pad to lower the temperature in 5°F amounts. The broil range is 300°F to 500°F (149°C to 200°C).
3. Press START/ENTER.
4. Press OFF/CANCEL when finished.

Broiling chart

For best results, place food 3 in. (7 cm) or more from the broil element. Times are guidelines only and may need to be adjusted for individual tastes. Recommended rack positions are numbered from the bottom (1) to the top (5). For diagram, see the "Positioning Racks and Bakeware" section.

FOOD	RACK POSITION	TEMP	TOTAL MINUTES	
			Side 1	Side 2
Steak				
1 in. (2.5 cm) thick				
medium rare	4	HI	14-15	7-8
medium	4	HI	15-16	8-9
well done	4	HI	18-19	9-10
*Ground meat patties				
¾ in. (2 cm) thick	4	HI	13-14	6-7
well done				
Pork chops				
1 in. (2.5 cm) thick	4	HI	18-21	8-10
Ham slice				
[precooked]				
½ in. (1.25 cm) thick	4	HI	8-10	4-5
Bacon				
	4	500°F (260°C)	8-9	1-2
Frankfurters				
	4	HI	6-7	3-4
Lamb chops				
1 in. (2.5 cm) thick	4	HI	15-17	8-9
Chicken				
bone-in pieces	3	HI	20-24	15-18
boneless	4	HI	12-16	11-16
Fish				
½ in. (1.25 cm) thick	4	HI	8-10	4-5
1 in. (2.5 cm) thick	4	500°F (260°C)	13-15	10-13

* Place up to 9 patties, equally spaced, on broiler pan grid.

Timed Oven Control

⚠ WARNING

Food Poisoning Hazard

Do not let food sit in oven more than one hour before or after cooking.

Doing so can result in food poisoning or sickness.

The Timed Oven Control allows the oven to be set to turn on at a certain time of day, cook for a set length of time, and/or shut off automatically. Delay start should not be used for foods such as breads and cakes because they may not bake properly.

To Set a Cook Time:

Before setting, make sure the clock is set to the correct time of day. See "Clock" section.

1. Press **BAKE**.
Press the TEMP "up" or "down" arrow pad to set a temperature other than 350°F (177°C).
2. Press **COOK TIME**.
3. Press the HOUR/MIN "up" or "down" arrow pads to enter the length of time to cook.
4. Press **START/ENTER**.
The start time and stop time countdown will appear on the oven display. The display will count down the baking/roasting time in hours and minutes (if cook time is more than 1 hour), or in minutes and seconds (if cook time is less than 1 hour).
The temperature of time settings can be changed any time after pressing **START/ENTER** by repeating steps 1 and 3.
When the stop time is reached, the oven will shut off automatically and "End" and **COOK TIME** will appear on the oven display.
Four tones will sound, then four 1-second reminder tones will sound every minute thereafter.
5. Press **OFF/CANCEL** or open the oven door to remove "End" from display. The time of day will appear on the display.

To Set a Cook Time and Stop Time [Delay Start]:

1. Press **BAKE**.
Press the TEMP "up" or "down" arrow pad to set a temperature other than 350°F (177°C).
2. Press **COOK TIME**.
3. Press the HOUR/MIN "up" or "down" arrow pads to enter the length of time to cook.
4. Press **DELAY START**.
5. Press the HOUR/MIN "up" or "down" arrow pads to enter the time of day to start.
6. Press **START/ENTER**.
The start time is automatically calculated and displayed.
"DELAY" and the stop time will also appear on the oven display.
When the start time is reached, the oven will automatically turn on.
Press the TEMP "up" or "down" arrow pad to set a temperature other than 350°F (177°C).
Four tones will sound, then four 1-second reminder tones will sound every minute.

7. Press **OFF/CANCEL** or open the oven door to remove "End" from display. The time of day will appear on the display.

To Recall Programmed Timed Settings:

To Recall Set	Press	Displayed 5 Seconds
Cook Time	COOK TIME*	set length of cook time
Delay Start	DELAY START	set delay start time
Temperature	BAKE	set temperature

*If cook time has begun, when **DELAY START** is pressed, the display will show the time it started. When **COOK TIME** is pressed, the display will remove the seconds from the remaining countdown time.

To Change Programmed Timed Settings

To Change Set	Press	Setting Displayed
Cook Time	COOK TIME	Press HOUR/MIN "up/down" arrow Press START/ENTER
Delay Start*	DELAY START	Press HOUR/MIN "up/down" arrow Press START/ENTER
Temperature	BAKE	Press TEMP "up/down" arrow Press START/ENTER

*Cannot change the set delay start time once it has been reached.

12-Hour Shut-Off

The oven control is set to automatically shut the oven off 12 hours after the oven turns on. This will not interfere with any timed or delayed cook function.

The oven light will come on when the oven door is opened. To keep the light on continuously, turn the light on by pressing **OVEN**.

To Override:

For longer cooking periods that require oven usage longer than 12 hours, press and hold **CLOCK** for 5 seconds. A single tone will sound and "12H OFF" will appear on the display. The oven will remain on until turned off.

To Reset:

Press and hold **CLOCK** for 5 seconds. A single tone will sound and "12H on" will appear on the display.

RANGE CARE

Self-Cleaning Cycle (on some models)

! WARNING



Burn Hazard

Do not touch the oven during the Self-Cleaning cycle.

Keep children away from oven during Self-Cleaning cycle.

Do not use commercial oven cleaners in your oven.

Failure to follow these instructions can result in burns, or illness from inhaling dangerous fumes.

IMPORTANT: The health of some birds is extremely sensitive to the fumes given off during the Self-Cleaning cycle. Exposure to the fumes may result in death to certain birds. Always move birds to another closed and well ventilated room.

Self-clean the oven before it becomes heavily soiled. Heavy soil results in longer cleaning and more smoke.

Keep the kitchen well-ventilated during the Self-Cleaning cycle to help get rid of heat, odors, and smoke.

Do not block the oven vent(s) during the Self-Cleaning cycle. Air must be able to move freely. See "Oven Vent(s)" section.

Do not clean, rub, damage or move the oven door gasket. The door gasket is essential for a good seal.

Prepare Oven:

- Remove the broiler pan, grid, cookware and bakeware and, on some models, the temperature probe from the oven.
- Remove any foil from the oven because it may burn or melt, damaging the oven.
- Remove oven racks to keep them shiny and easy to slide. See "General Cleaning" section for more information.
- Hand clean inside door edge and the 1½ in. (3.8 cm) area around the inside oven cavity frame, being careful not to move or bend the gasket. This area does not get hot enough during self-cleaning to remove soil. Do not let water, cleaner, etc. enter slots on door frame. Use a damp cloth to clean this area.
- Wipe out any loose soil to reduce smoke and avoid damage. At high temperatures, foods react with porcelain. Staining, etching, pitting or faint white spots can result. This will not affect cooking performance.

Prepare Cooktop and Storage Drawer:

- Remove plastic items from the cooktop because they may melt.
- Remove all items from the storage drawer.

How the Cycle Works

IMPORTANT: The heating and cooling of porcelain on steel in the oven may result in discoloring, loss of gloss, hairline cracks and popping sounds.

The SELECT CLEAN™ Self-Cleaning cycle **uses very high** temperatures and dissolves soil to a powdery ash.

SELECT CLEAN will set the clean time automatically, once the soil level is set.

The soil level can be manually set to light, average or heavy soil levels by continuously pressing SELECT CLEAN.

The oven will automatically shut off once it is clean. The door will not unlock until the oven cools.

Once the oven has completely cooled, remove ash with a damp cloth.

The oven light will not work during the Self-Cleaning cycle.

To Set SELECT CLEAN (on some models):

- Press **once** for **light** soils, and "SoilL" will appear on the display.
- Press **two** times for **average** soils, and "SoilA" will appear on the display.
- Press **three** times for **heavy** soils, and "SoilH" will appear on the display.

To Set CLEAN:

- Press **CLEAN. This will automatically set a 3 hour 30 minute Self-Cleaning cycle.**
- Press the HOUR/MIN "up" or "down" arrow pads to set a Self-Cleaning cycle longer or shorter than the 3 hour 30 minute cycle.

To Start Self-Clean:

Before self-cleaning, make sure the door is closed completely or it will not lock and the cycle will not begin.

1. Set SELECT CLEAN (on some models) or CLEAN.
2. Press START/ENTER.

The oven door will lock in 6 seconds and "LOCKED", the start time and stop time will appear on the display. The door will not unlock until the oven cools. The cycle time includes a 30 minute cool down time

When the cycle is complete and the oven cools, "End" will appear on the display and "LOCKED" will disappear.

3. Press any pad to remove "End" or open the oven door.
4. Close door.

The time of day will appear on the display.

To Delay Start Self-Clean:

Before delay starting Self-Clean, make sure the clock is set to the correct time of day. See "Clock" section. Also, make sure the door is closed completely or it will not lock and the cycle will not begin.

1. Set SELECT CLEAN (on some models) or CLEAN.
2. Press DELAY START.
Press the HOUR/MIN "up" or "down" arrow pad to set time of day to start the Self-Cleaning cycle.
3. Press START/ENTER.
The start time is automatically calculated and displayed. The door will automatically lock and "LOCKED", "DELAY" and the stop time will also appear on the display.
When the start time is reached, the oven will automatically turn on.
When the cycle is complete and the oven cools, "End" will appear on the display and "LOCKED" will disappear.
4. Press any pad to remove "End" or open the oven door.
5. Close door.
The time of day will appear on the display.

To Stop Self-Clean any time:

Press OFF/CANCEL, and "cln", "ON", "cool" and "LOCKED" will appear on the display until the oven cools. Then "End" will appear and the door will unlock.

General Cleaning

IMPORTANT: Before cleaning, make sure all controls are off and the oven and cooktop are cool. Always follow label instructions on cleaning products.

Soap, water and a soft cloth or sponge are suggested first unless otherwise noted.

EXTERIOR PORCELAIN ENAMEL SURFACES (on some models)

Food spills containing acids, such as vinegar and tomato, should be cleaned as soon as the entire appliance is cool. These spills may affect the finish.

- Glass cleaner, mild liquid cleaner or non-abrasive scrubbing pad:
Gently clean around the model and serial number plate because scrubbing may remove numbers.

OVEN DOOR EXTERIOR

- Glass cleaner and paper towels or non-abrasive plastic scrubbing pad:
Apply glass cleaner to soft cloth or sponge, not directly on panel.

PORCELAIN-COATED GRATES AND CAPS

Food spills containing acids, such as vinegar and tomato, should be cleaned as soon as the cooktop, grates and caps are cool. These spills may affect the finish.

To avoid chipping, do not bang grates and caps against each other or hard surfaces such as cast iron cookware.

Do not reassemble caps on burners while wet.

Do not clean in the Self-Cleaning cycle.

- Non-abrasive plastic scrubbing pad and mildly abrasive cleanser:
Clean as soon as cooktop, grates and caps are cool.
- Dishwasher (grates only, not caps):
Use the most aggressive cycle.

SURFACE BURNERS

Sealed Burner models

See "Sealed Surface Burners" section.

Open Burner models

See "Open Burners" section.

COOKTOP CONTROLS

Do not use steel wool, abrasive cleansers or oven cleaner.

Do not soak knobs.

When replacing knobs, make sure knobs are in the OFF position.

On some models, do not remove seals under knobs.

- Soap and water or dishwasher:
Pull knobs straight away from control panel to remove.

CONTROL PANEL

Do not use abrasive cleaners, steel-wool pads, gritty wash cloths or some paper towels. Damage may occur.

- Glass cleaner and soft cloth or sponge:
Apply glass cleaner to soft cloth or sponge, not directly on panel.

OVEN CAVITY

Do not use oven cleaners.

Food spills should be cleaned when oven cools. At high temperatures, foods react with porcelain and staining, etching, pitting or faint white spots can result.

- Self-Cleaning cycle:
See "Self-Cleaning Cycle" first.

OVEN AND ROASTING RACKS

- Self-Cleaning cycle:
See "Self-Cleaning Cycle" first. Racks will discolor and become harder to slide. After cleaning, a light coating of vegetable oil applied to the rack guides will help them slide.
- Steel wool pad

BROILER PAN AND GRID

Do not clean in the Self-Cleaning cycle.

- Mildly abrasive cleanser:
Scrub with wet scouring pad.
- Solution of ½ cup (125 mL) ammonia to 1 gallon (3.75 L) water:
Soak for 20 minutes, then scrub with scouring or steel wool pad.
- Oven cleaner:
Follow product label instructions.

Porcelain enamel only, not chrome

- Dishwasher

STORAGE DRAWER

Make sure drawer is cool and empty before cleaning. For more information, see "Storage Drawer" section.

- Mild detergent

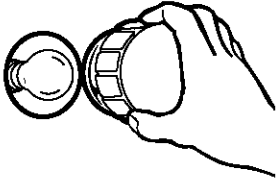
Oven Light

The oven light is a standard 40-watt appliance bulb. It will come on when the oven door is open. It will not work during the Self-Cleaning cycle. When the oven door is closed, press the OVEN pad to turn on and off.

Before replacing, make sure the oven and cooktop are cool and the control knobs are off.

To Replace:

1. Unplug range or disconnect power.
2. Turn the glass bulb cover in the back of the oven counterclockwise to remove.



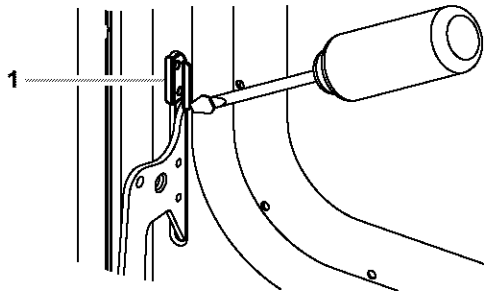
3. Turn bulb counterclockwise to remove from socket.
4. Replace bulb, then bulb cover by turning clockwise.
5. Plug in range or reconnect power.

Oven Door

For normal range use, it is not suggested to remove the oven door. However, if necessary, follow these instructions. The oven door is heavy.

Before Removing:

1. Use a putty knife or screwdriver and insert it at the bottom corner of the door stop clip.

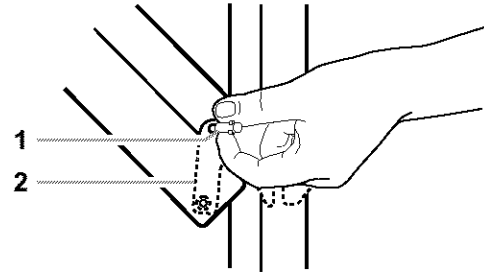


1. Door Stop Clip

2. Pry door stop clip free and remove from front frame hinge slot. Take care not to scratch finish.
3. Repeat procedure for other door stop clip.

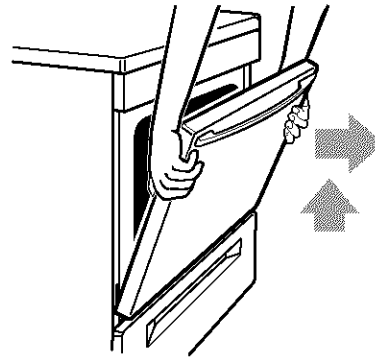
To Remove:

1. Open the oven door. Insert door removal pins, included with your range, into both hinge hangers. Do not remove the pins while the door is removed from the range.



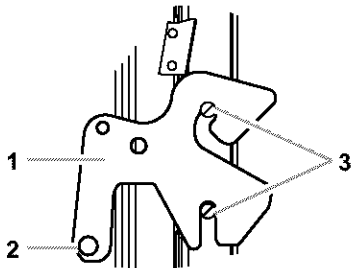
1. Removal Pins
2. Hinge Hangers

2. Carefully close the door until it rests against the door removal pins.
3. Grasp the door on the sides with your fingers on the front of the door and your thumbs on the inside surface.
4. Pull door straight up, then toward you. Hinge hangers will slide out of front frame hinge slot. Do not remove door removal pins until the door is replaced on the range.



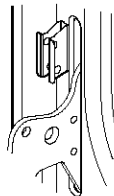
To Replace:

1. Grasp the door on the sides with your fingers on the front of the door and your thumbs on its inside surface.
2. Hold oven door so that the top edge of each hinge hanger is horizontal. Insert hinge hangers into the front frame hinge slots.
3. Tilt top of door toward range. Slide hinge hangers down onto front frame support pins. Make sure the hinge hangers are fully seated and engaged on the support pins.



1. Hinge Hanger
2. Door Frame Hinge
3. Support Pins

4. Insert the door stop clip with the angular surface at the top of the frame hinge slot, then push in the bottom of the clip until flanges are flush with the front frame.



5. Open the door completely and remove the door removal pins. Save door removal pins for future use.
6. Close the door.

Storage Drawer

The storage drawer can be removed. Before removing, make sure drawer is cool and empty.

To Remove:

1. Pull drawer straight out to the first stop.
2. Lift up the back of the drawer and pull out.

To Replace:

1. Fit the ends of the drawer rails into the guides in the cavity.
2. Slide the drawer closed.

TROUBLESHOOTING

Try the solutions suggested here first in order to avoid the cost of an unnecessary service call.

Nothing will operate

- **Is the power outlet properly wired and polarized?**
Try another outlet to check for proper wiring and polarity.
- **Is the power supply cord unplugged?**
Plug into a properly grounded 3 prong outlet.
- **Has a household fuse been blown or has the circuit breaker been tripped?**
Replace the fuse or reset the circuit.
- **Is the main or regulator gas shutoff valve in the off position?**
See Installation Instructions.
- **Is the range properly connected to the gas supply?**
Contact a Sears trained repair specialist or see Installation Instructions.

Surface burners will not operate

- **Is this the first time the surface burners have been used?**
Turn on any one of the surface burner knobs to release air from the gas lines.
- **On some models, is the Cooktop Lockout set?**
See "Cooktop Lockout" section.
- **Is the control knob set correctly?**
Push in knob before turning to a setting.
- **Are the burner ports clogged?**
On Sealed Burner models, see "Sealed Burners" section.
On Open Burner models, see "Open Burners" section.

Surface burner flames are uneven, yellow and/or noisy

- **Are the burner ports clogged?**
On Sealed Burner models, see "Sealed Burners" section.
On Open Burner models, see "Open Burners" section.
- **On models with caps, are the burner caps positioned properly?**
See "Sealed Surface Burners" section.
- **Is the burner damaged?**
On models with caps, look for a warped cap. If cap will spin freely on a flat surface, painted side down, the cap is warped. Switch cap with a different surface burner to check for further warping. Contact a Sears trained repair specialist.
- **Is propane gas being used?**
The appliance may have been converted improperly. Contact a Sears trained repair specialist.

Surface burner makes popping noises

- **Is the burner wet?**
Let it dry.

Excessive heat around cookware on cooktop

- **Is the cookware the proper size?**
Use cookware about the same size as the surface cooking area, element or surface burner. Cookware should not extend more than 1 in. (2.5 cm) outside the cooking area.

Oven will not operate

- **Is the power outlet properly wired and polarized?**
Try another outlet to check for proper wiring and polarity.
- **Is this the first time the oven has been used?**
Turn any one of the surface burner knobs on to release air from the gas lines.
- **Is the electronic oven control set correctly?**
See "Electronic Oven Control" section.
- **On some models, is the Oven Lockout set?**
See "Oven Lockout" section.

Oven makes muffled ticking noise when in use

- This is normal and occurs when the oven burner cycles on and off to hold the set oven temperature.

Oven burner lights, then goes out after 1 minute

- Press OFF/CANCEL, then wait 1 minute before trying again.
- **Is the power outlet properly wired and polarized?**
Try another outlet to check for proper wiring and polarity.

Oven burner flames are yellow or noisy

- **Is propane gas being used?**
The appliance may have been converted improperly. Contact a Sears trained repair specialist.

Oven temperature too high or too low

- **Does the oven temperature calibration need adjustment?**
See "Oven Temperature Control" section.

Display shows messages

- **Is the display showing "PF"?**
There has been a power failure. Press OFF/CANCEL to clear the display. Reset the clock, if needed. See "Clock" section.
- **Is the display showing "F" followed by a number?**
Press OFF/CANCEL to clear the display. If an "F" code reappears, contact a Sears trained repair specialist. See back cover.

Self-Cleaning Cycle will not operate

- **Is the oven door open?**
Close the oven door all the way.
- **Has START/ENTER been pressed?**
Press START/ENTER.
- **Has a delay start been set?**
See "Timed Oven Control" section.

Cooktop cooking results not what expected

- **Is the proper cookware being used?**
See "Cookware" section.
- **Is the control knob set to the proper heat level?**
See "Control Knobs" section.
- **Is the appliance level?**
Level the appliance. See the Installation Instructions.

Baking results not what expected

- **Was the oven preheated?**
Wait for oven to preheat before placing food in oven.
- **Are the racks positioned properly?**
See "Positioning Racks and Bakeware" section.
- **Is there proper air circulation around bakeware?**
See "Positioning Racks and Bakeware" section.
- **Is the batter evenly distributed in the pan?**
Check to make sure batter is level in the pan.
- **Is the appliance level?**
Level the appliance. See the Installation Instructions.
- **Are baked items too brown on the bottom?**
Decrease oven temperature 15°F to 25°F (5°C to 15°C).
- **Are crust edges browning early?**
Use aluminum foil to cover the edge of the crust.

Slow baking or roasting

- **Was the oven preheated?**
Wait for oven to preheat before placing food in oven.
- **Is there proper air circulation around bakeware?**
See "Positioning Racks and Bakeware" section.
- **Is the proper length of time being used?**
Increase baking or roasting time.
- **Is the proper temperature set?**
Increase temperature 25°F (15°C).
- **Has the oven door been opened while cooking?**
Peeking into the oven while cooking releases oven heat and can result in longer cooking times.

ÍNDICE

REPARAMOS LO QUE VENDEMOS	20
GARANTÍA	21
SEGURIDAD DE LA COCINA	22
El Soporte antivuelco	23
PIEZAS Y CARACTERÍSTICAS	25
USO DE LA SUPERFICIE DE COCCIÓN	26
Perillas de control.....	26
Quemadores exteriores sellados	27
SURESIMMER™.....	27
Enlatado casero.....	28
Utensilios de cocina.....	28
CONTROL ELECTRÓNICO DEL HORNO	29
Pantalla.....	29
Start/Enter (Inicio/Ingreso).....	29
Off/Cancel (Apagado/Anulado).....	29
Reloj.....	29
Señales audibles	29
Fahrenheit y Centígrados	30
Temporizador	30
Bloqueo del horno.....	30
Control de temperatura del horno.....	30
USO DEL HORNO	31
Papel de aluminio	31
Posición de las parrillas y los utensilios para hornear.....	31
Parrillas del horno STURDIGLIDE™.....	31
Utensilios para hornear	32
Conducto de ventilación del horno.....	32
Cómo hornear y asar.....	32
Cómo asar.....	33
Control temporizado del horno.....	34
Interruptor de 12 horas.....	35
CUIDADO DE LA COCINA	35
Ciclo de autolimpieza.....	35
Limpieza general	36
Luz del horno.....	37
Puerta del horno.....	37
Gaveta de almacenamiento	38
SOLUCIÓN DE PROBLEMAS	38

REPARAMOS LO QUE VENDEMOS

Su compra adquiere un nuevo valor ya que usted puede confiar en Sears HomeCentral® para obtener servicio de reparación. Con más de 12,000 especialistas capacitados en reparaciones y acceso a más de 4.2 millones de piezas de repuesto y accesorios, contamos con las herramientas, piezas, conocimiento y la destreza para asegurarnos de cumplir nuestra promesa de que: Reparamos lo que vendemos.

Contrato de mantenimiento Sears

Su electrodoméstico Kenmore está diseñado, fabricado y sometido a prueba para proporcionarle años de funcionamiento confiable. No obstante, cualquier electrodoméstico moderno puede necesitar servicio técnico de vez en cuando. El contrato de mantenimiento Sears le ofrece un programa de servicio excepcional, a un precio accesible.

El contrato de mantenimiento Sears

- Es la manera de adquirir el servicio técnico del mañana a precios de hoy.
- Elimina las facturas de reparación producidas por el uso normal y el desgaste.
- Proporciona asistencia no técnica y educativa
- Aún cuando no necesite reparaciones, le proporciona una revisión anual de mantenimiento preventivo a solicitud suya, para asegurarse de que su electrodoméstico está en condiciones apropiadas de funcionamiento.

Se aplican ciertas restricciones. Para obtener más información, llame al 1-888-784-6427.

GARANTÍA

GARANTÍA COMPLETA DE UN AÑO PARA TODAS LAS PIEZAS

Durante un año a partir de la fecha de compra, siempre y cuando la cocina sea instalada y operada de acuerdo con las instrucciones proporcionadas en el Manual de uso y cuidado y las instrucciones de instalación, Sears reparará esta cocina, sin costo alguno, si tuviese defectos de materiales o de mano de obra.

RESTRICCIÓN DE LA GARANTÍA

Si se somete a la cocina a un uso ajeno al doméstico privado, la cobertura de las garantías arriba citadas queda restringida a sólo 90 días.

SERVICIO DE REPARACIÓN DE LA GARANTÍA

EL SERVICIO DE REPARACIÓN DE LA GARANTÍA ESTÁ A SU DISPOSICIÓN AL CONTACTARSE CON EL CENTRO DE SERVICIO SEARS DE SU LOCALIDAD EN LOS ESTADOS UNIDOS. Esta garantía corresponde sólo mientras se use el producto en los Estados Unidos. Esta garantía le otorga derechos legales específicos y es posible que usted tenga también otros derechos que pueden variar de un estado a otro.

Para obtener información respecto a la garantía Sears en los Estados Unidos llame al 1-800-469-4663.

Sears, Roebuck and Co.
D/817WA, Hoffman Estates, IL 60179

REGISTRO DEL PRODUCTO

En el espacio a continuación anote el número completo del modelo y de la serie así como la fecha de compra. Usted podrá encontrar esta información en la etiqueta con el número del modelo y de la serie, localizada tal como se ilustra en la sección de Piezas y características de este manual. Siempre que se ponga en contacto con Sears respecto a su electrodoméstico, tenga esta información a mano para facilitar la obtención de asistencia o servicio.

Número de modelo 665.....

Número de serie

Fecha de compra

Guarde estas instrucciones y su comprobante de ventas para consulta futura.

SEGURIDAD DE LA COCINA

Su seguridad y la seguridad de los demás es muy importante.

Hemos incluido muchos mensajes importantes de seguridad en este manual y en su electrodoméstico. Lea y obedezca siempre todos los mensajes de seguridad.



Este es el símbolo de advertencia de seguridad.

Este símbolo le llama la atención sobre peligros potenciales que pueden ocasionar la muerte o una lesión a usted y a los demás.

Todos los mensajes de seguridad irán a continuación del símbolo de advertencia de seguridad y de la palabra "PELIGRO" o "ADVERTENCIA". Estas palabras significan:

⚠ PELIGRO

Si no sigue las instrucciones de inmediato, usted puede morir o sufrir una lesión grave.

⚠ ADVERTENCIA

Si no sigue las instrucciones, usted puede morir o sufrir una lesión grave.

Todos los mensajes de seguridad le dirán el peligro potencial, le dirán cómo reducir las posibilidades de sufrir una lesión y lo que puede suceder si no se siguen las instrucciones.

ADVERTENCIA: Para su seguridad, la información en este manual debe ser observada para minimizar el riesgo de incendio o explosión, o para prevenir daños a propiedades, heridas o la muerte.

- No almacene o use gasolina u otros líquidos y vapores inflamables cerca de este u otro aparato electrodoméstico.
- **PASOS QUE USTED DEBE SEGUIR SI HUELE A GAS:**
 - No trate encender ningún aparato electrodoméstico.
 - No toque ningún enchufe eléctrico.
 - No use ningún teléfono en su casa o edificio.
 - Llame inmediatamente a su proveedor de gas desde el teléfono de un vecino. Siga las instrucciones de su proveedor de gas.
 - Si usted no puede comunicarse con su proveedor de gas, llame al departamento de bomberos.
- La instalación y el servicio deben ser efectuados por un instalador calificado, una agencia de servicio o por el proveedor de gas.

La California Safe Drinking Water and Toxic Enforcement Act (La ley de la protección del agua potable y la eliminación de sustancias tóxicas de California) exige que el gobernador de California publique una lista de aquellas sustancias identificadas por el estado de California como causantes de cáncer, defectos congénitos o algún otro tipo de daños en la función reproductora y exige a los comerciantes que adviertan de los posibles riesgos de exposición a tales sustancias.

ADVERTENCIA: Este producto contiene una sustancia química identificada por el estado de California como causante de cáncer, defectos congénitos o algún otro tipo de daños en la función reproductora.

Este electrodoméstico puede producir una exposición de bajo nivel a alguna de las sustancias enumeradas, incluyendo el benceno, formaldehído, monóxido de carbono, tolueno y hollín.

El Soporte antivuelco

La cocina no se volteará durante el uso normal. Sin embargo, si usted aplica mucha fuerza o peso a la puerta abierta sin haber fijado adecuadamente el soporte antivuelco, la cocina puede voltearse.

⚠ ADVERTENCIA

Peligro de Vuelco

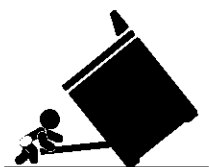
Un niño o un adulto puede volcar accidentalmente la cocina y resultar muerto.

Conecte el soporte anti-vuelco a la pata trasera de la cocina.

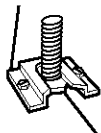
Si traslada de lugar la cocina, vuelva a conectar el soporte anti-vuelco.

Consulte las instrucciones de instalación para más detalles.

No seguir estas instrucciones puede ocasionar la muerte o quemaduras graves en niños y adultos.



El soporte anti-vuelco



La pata trasera

Asegúrese de que el soporte anti-vuelco haya sido instalado:

- **Deslice la cocina hacia adelante.**
- **Verifique que el soporte anti-vuelco esté bien asegurado al piso.**
- **Deslice la cocina para colocarla de nuevo en su lugar asegurándose de que la pata trasera quede debajo del soporte anti-vuelco.**

INSTRUCCIONES IMPORTANTES DE SEGURIDAD

ADVERTENCIA: Para reducir el riesgo de incendio, electrocución, lesiones a personas o daños al usar la cocina de gas, siga precauciones básicas, incluyendo las siguientes:

- **ADVERTENCIA:** Para reducir el riesgo de volteo de la cocina de gas, ésta debe asegurarse en el piso mediante la instalación de dispositivos de anti-vuelco. Para verificar si los dispositivos están instalados adecuadamente, deslice la cocina de gas hacia adelante, cerciórese que el soporte anti-vuelco esté bien fijo en el piso y deslice la cocina de gas hacia atrás de manera que la pata trasera de la cocina de gas quede fija debajo del soporte de anti-vuelco.
- **AVISO:** No almacene artículos que interesen a los niños en los armarios que están encima de una cocina de gas o en el respaldo de protección de una cocina de gas - al trepar los niños encima de la cocina para alcanzar algún objeto, podrían lastimarse seriamente.
- **Instalación Apropiaada** – Instalar la cocina de gas debe hacer la conexión eléctrica a tierra de acuerdo con las normas locales o, en ausencia de normas locales, con el *Código Eléctrico Nacional* (National Electrical Code), ANSI/NFPA 70. Cerciórese que la instalación y puesta a tierra de la cocina de gas sean efectuadas adecuadamente por un técnico competente.

- Esta cocina de gas está equipada con un enchufe de tres puntas con contacto a tierra para su protección contra riesgo de electrocución y debería enchufarse directamente a un tomacorriente que tiene conexión a tierra. No corte ni quite la punta para conexión a tierra de este enchufe.
 - Desconecte la energía eléctrica antes de hacer una revisión al aparato electrodoméstico.
 - Nunca use la cocina de gas como calefacción del cuarto.
 - El mal uso de las puertas o gavetas del aparato electrodoméstico, tales como pisar, recostarse o sentarse en las puertas o gavetas, puede ocasionar heridas.
 - **Mantenimiento** – Mantenga el área de la cocina de gas despejada y libre de materiales combustibles, gasolina y otros vapores y líquidos inflamables.
 - **Almacenaje dentro o encima de la cocina de gas** – No se debe almacenar materiales inflamables en el horno o cerca de las unidades que están en la superficie.
 - El tamaño de la llama del quemador superior debe ajustarse de manera que no se extienda más allá de los bordes del utensilio de cocina.
- Para cocinas de gas de limpieza automática –**
- Antes de efectuar la limpieza automática del horno – quite la charola para asar y otros utensilios. Limpie con un trapo húmedo todo derrame excesivo antes de iniciar el ciclo de autolimpieza.

GUARDE ESTAS INSTRUCCIONES

PIEZAS Y CARACTERÍSTICAS

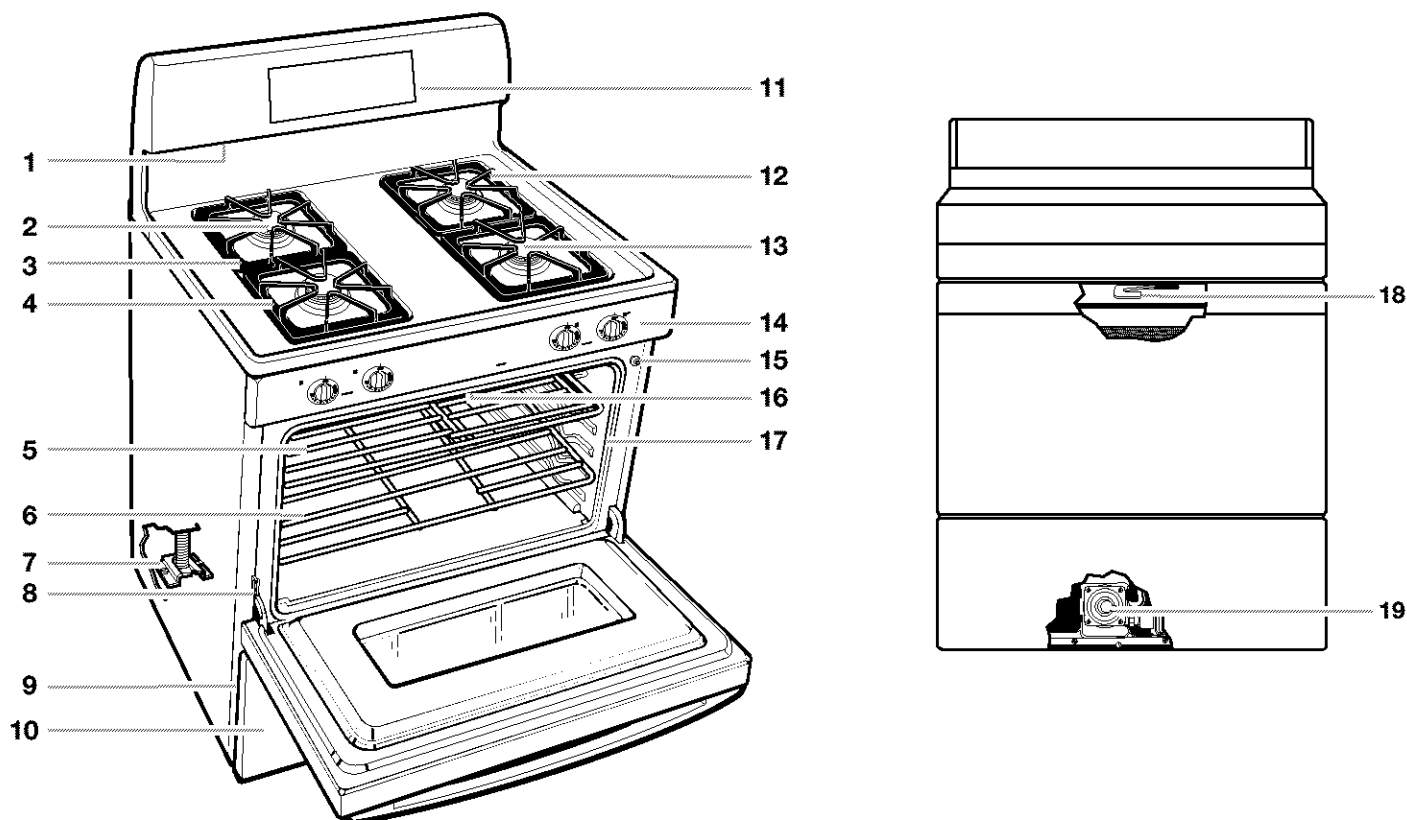
Este manual abarca varios modelos distintos. La cocina que usted ha adquirido puede tener algunos o todos los artículos que se enumeran. Las ubicaciones y aspecto de las características que aquí se ilustran quizás no coincidan con su modelo.

Tablero de control



1. Luz indicadora del quemador exterior
2. Control trasero izquierdo
3. Control delantero izquierdo (Quemador de potencia)
4. Control delantero derecho (Quemador de potencia en algunos modelos)
5. Control trasero derecho (SURESIMMER™)

Cocina



1. Conducto de ventilación del horno
2. Quemador exterior sellado
3. Sistema de parrilla del quemador
4. Quemador de potencia
5. Media parrilla STURDIGLIDE™ con inserto desmontable (en algunos modelos)
6. Parrilla del horno STURDIGLIDE con agarradera integrada (en algunos modelos)
7. Soporte antivuelco
8. Gancho de tope de la puerta
9. Placa del número de modelo y de serie (detrás del lado izquierdo de la gaveta de almacenamiento)
10. Gaveta de almacenamiento
11. Control electrónico del horno
12. Quemador SURESIMMER
13. Quemador de potencia (en algunos modelos)
14. Tablero de control
15. Interruptor automático de luz del horno
16. Elemento para asar (no se ilustra)
17. Junta
18. Pestillo de autolimpieza
19. Regulador de gas

USO DE LA SUPERFICIE DE COCCIÓN

Perillas de control

⚠️ ADVERTENCIA



Peligro de Incendio

No permita que la llama del quemador extienda más allá que la orilla de la cacerola.

Apague todas las perillas de los controles cuando no esté cocinando.

No seguir estas instrucciones puede ocasionar la muerte o incendio.

Los encendedores eléctricos encienden automáticamente los quemadores exteriores al girar las perillas de control hacia LITE.

Antes de fijar una perilla de control, coloque el utensilio de cocina lleno en la parrilla. No ponga a funcionar un quemador con un utensilio de cocina vacío o si la parrilla está libre.

Para fijar:

- Oprima y gire la perilla a la izquierda hacia LITE. Los cuatro quemadores exteriores harán un chasquido pero sólo el quemador cuya perilla de control esté en LITE producirá una llama.

- Gire la perilla hacia cualquier posición entre HI (alto) y LO (bajo). Use el siguiente cuadro como guía para fijar los niveles de calor.

AJUSTE	USO RECOMENDADO PARA
LITE	<ul style="list-style-type: none"> Encender el quemador.
HI	<ul style="list-style-type: none"> Comenzar a cocinar los alimentos. Hacer hervir un líquido.
Escala media (entre HI y LO)	<ul style="list-style-type: none"> Mantener un hervor rápido. Dorar rápidamente los alimentos. Freír pollo. Mantener un hervor lento. Freír o sofreír los alimentos. Preparar sopas y salsas.
LO	<ul style="list-style-type: none"> Mantener los alimentos calientes. Para hervir a fuego lento.
Quemador de potencia (quemador delantero izquierdo)	<ul style="list-style-type: none"> Proporcionar el ajuste de calor más alto.
SURESIMMER™ (quemador trasero derecho)	<ul style="list-style-type: none"> Proporcionar el ajuste para hervor a fuego lento/calor más bajo. Derretir chocolate o mantequilla.

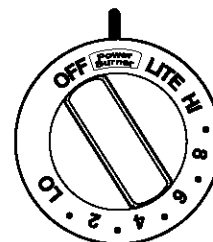
RECUERDE: Cuando se esté usando la cocina o durante el ciclo de auto limpieza, toda la superficie de cocción se calienta.

Corte de corriente

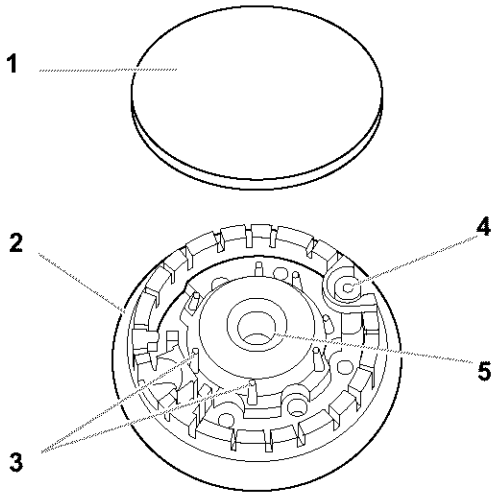
En el caso de un corte de corriente prolongado, se pueden encender los quemadores exteriores manualmente. Sostenga un cerillo encendido cerca del quemador y gire la perilla a la izquierda hacia LITE. Después de que el quemador se encienda, gire la perilla al ajuste deseado.

Quemador de potencia

El quemador delantero izquierdo está diseñado para proporcionar energía ultra alta cuando está encendido en toda su potencia. Puede ser utilizado para hacer hervir un líquido rápidamente y para cocinar grandes cantidades de alimentos. En algunos modelos ambos quemadores delanteros son quemadores de potencia.



Quemadores exteriores sellados

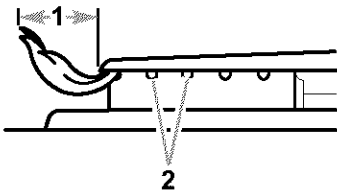


1. Tapa del quemador
2. Base del quemador
3. Espigas de alineación
4. Encendedor
5. Abertura del tubo de gas

IMPORTANTE: No obstruya el flujo de aire de ventilación y combustión alrededor de los bordes de la parrilla del quemador.

Tapa del quemador: Mantenga siempre la tapa del quemador en su lugar cuando use un quemador exterior. Una tapa de quemador limpia ayudará a prevenir un encendido inadecuado y una llama desigual. Limpie siempre la tapa del quemador después de un derrame y como rutina quite las tapas y límpielas de acuerdo con la sección "Limpieza general."

Abertura del tubo de gas: El gas debe fluir con libertad a través de la abertura del tubo de gas para que el quemador se encienda adecuadamente. **Mantenga esta área libre de suciedad y no permita que derrames, alimentos, productos de limpieza o cualquier otro material se introduzca en la abertura del tubo de gas.** Use siempre la tapa del quemador para protegerla de derrames.



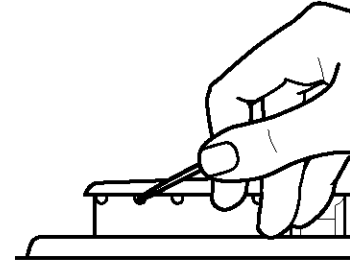
1. 1-1½ pulgada (25-38 mm)
2. Orificios del quemador

Orificios del quemador: Verifique de vez en cuando que las llamas del quemador sean del tamaño y forma apropiada tal como se muestra arriba. Una buena llama es de color azul, no amarillo. Mantenga esta área libre de suciedad y no permita que los derrames, alimentos, productos de limpieza o cualquier otro material se introduzca en los orificios del quemador.

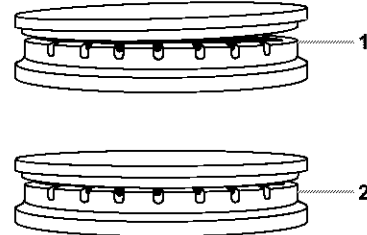
Para limpiar:

IMPORTANTE: Antes de limpiar, asegúrese de que todos los controles estén apagados y que el horno y la superficie de cocción estén fríos. No use limpiadores de horno, blanqueador o productos para quitar óxido.

1. Quite la tapa del quemador de la base del mismo y limpie de acuerdo con la sección "Limpieza general."
2. Limpie la abertura del tubo de gas con un paño húmedo.
3. Limpie los orificios obstruidos del quemador con un alfiler recto tal como se ilustra. No agrande ni distorsione el orificio. No use palillos de dientes de madera. Si el quemador necesita ser regulado, póngase en contacto con un especialista de reparaciones competente de Sears.



4. Vuelva a colocar la tapa del quemador, asegurándose de que las espigas de alineación de la tapa estén debidamente alineados con la base del quemador.

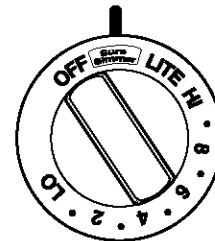


1. Incorrecto
2. Correcto

5. Encienda el quemador. Si el quemador no se enciende, verifique la alineación de la tapa. Si el quemador todavía no se enciende, no intente reparar el quemador sellado usted mismo; póngase en contacto con un especialista de reparaciones competente de Sears.

SURESIMMER™

El quemador SURESIMMER es un ajuste de calor regulable para lograr un hervor a fuego lento preciso y una cocción a temperatura baja. Es el quemador trasero derecho. Cuando el quemador SURESIMMER no está encendido, el quemador trasero derecho funcionará como de costumbre.



Para usar:

1. Oprima la perilla trasera derecha y gírela a la izquierda hacia "SURESIMMER."
2. Oprima y gire la perilla hacia OFF cuando termine.

Enlatado casero

Al preparar enlatados durante períodos prolongados, alterne el uso de las áreas de cocción exteriores, elementos o quemadores exteriores entre cada lote. Esto da tiempo para que las áreas usadas recientemente se enfríen.

- Centre el envasador en la parrilla o el área o elemento de cocción exterior más grande. Los envasadores no deben extenderse más de 1 pulgada (2.5 cm) fuera del área de cocción.
- No coloque el envasador sobre dos áreas de cocción exteriores, elementos o quemadores exteriores a la vez.
- En modelos con cerámica vitrificada, use únicamente envasadores de fondo llano.
- En modelos con elementos en espiral, se recomienda la instalación de un equipo para envasar. De no instalarlo, la duración del elemento en espiral se acortará. Vea la contraportada para obtener las instrucciones de cómo pedirlo.
- Para mayor información, póngase en contacto con la Oficina de Extensión del Departamento de Agricultura del Gobierno de los EE.UU. Las compañías que fabrican productos para enlatado casero también pueden ayudarle.

Utensilios de cocina

IMPORTANTE: Nunca deje utensilios de cocina vacíos encima de un área de cocción exterior, elemento o quemador exterior caliente.

Los utensilios de cocina ideales deben tener un fondo plano, lados rectos, una tapa que encaje bien y el material debe ser de un espesor mediano a grueso.

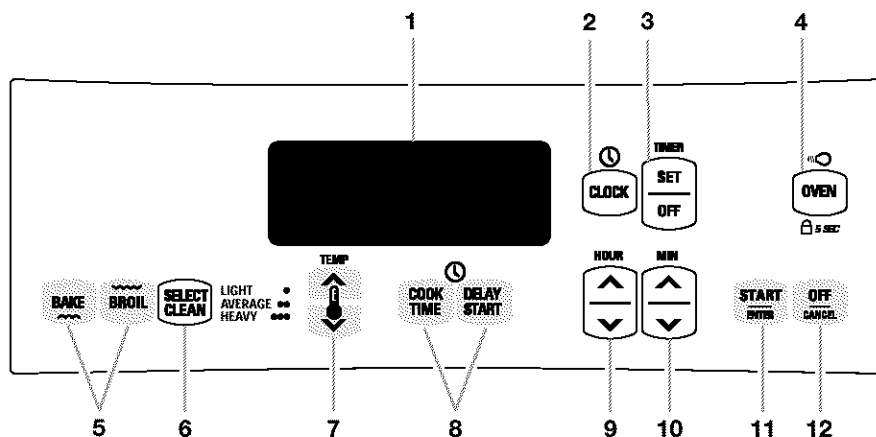
El material de los utensilios de cocina es un factor que repercute en la rapidez y uniformidad en que se transmite el calor, lo cual afecta los resultados de cocción. Un acabado antiadherente tiene las mismas características de su material base. Por ejemplo, utensilios de aluminio con un acabado antiadherente tendrán las propiedades del aluminio.

Use el siguiente cuadro como guía respecto a las características del material de los utensilios de cocina.

UTENSILIO DE COCINA	CARACTERÍSTICAS
*Aluminio	<ul style="list-style-type: none">■ Calienta rápidamente y uniformemente.■ Adecuado para todo tipo de cocción.■ Espesor mediano o grueso es mejor para la mayoría de tareas culinarias.
Hierro fundido	<ul style="list-style-type: none">■ Calienta lentamente y uniformemente.■ Bueno para dorar y freír.■ Mantiene el calor para una cocción lenta.■ Las superficies ásperas pueden arañar la superficie de cocción.
Cerámica o cerámica vitrificada	<ul style="list-style-type: none">■ Siga las instrucciones del fabricante.■ Las superficies ásperas pueden dañar la superficie de cocción.■ Calienta lentamente pero no uniformemente.■ Resultados ideales en ajustes de fuego bajo a mediano.
*Cobre	<ul style="list-style-type: none">■ Calienta muy rápidamente y uniformemente.
Loza de barro	<ul style="list-style-type: none">■ Siga las instrucciones del fabricante.■ Use en ajustes de calor bajo.
Acero o hierro fundido esmaltado de porcelana	<ul style="list-style-type: none">■ Vea acero inoxidable o hierro fundido.
Acero inoxidable	<ul style="list-style-type: none">■ Calienta rápidamente pero no uniformemente.■ Un centro o base de aluminio o cobre sobre el acero inoxidable proporciona un calor uniforme.

*El aluminio y el cobre pueden emplearse como núcleo o base en los utensilios de cocina. Al ser usados como base, pueden dejar marcas permanentes en la superficie de cocción o las parrillas.

CONTROL ELECTRÓNICO DEL HORNO



- | | | |
|------------------------------------|--|----------------------------------|
| 1. Pantalla | 5. Selectores del horno | 9. Hora |
| 2. Reloj | 6. Autolimpieza SELECT-CLEAN™ (en algunos modelos) | 10. Minuto |
| 3. Temporizador | 7. Ajuste de temperatura | 11. START/ENTER (Inicio/Ingreso) |
| 4. Luz del horno/bloqueo del horno | 8. Cocción temporizada | 12. OFF/CANCEL (Apagado/Anulado) |

Pantalla

Al conectar la electricidad por primera vez al electrodoméstico, cerciúrese de que los quemadores exteriores estén en la posición OFF. Todo en la pantalla se encenderá durante 5 segundos. Luego aparecerán en la pantalla la hora, "PF" y la figura de una superficie de cocción.

En cualquier otra ocasión en que aparezcan en la pantalla "PF" y la figura de una superficie de cocción significa que ha ocurrido un corte de corriente. Para despejar "PF" y para volver a poner la hora en el reloj, presione OFF/CANCEL.

Cuando el horno está en uso, esta pantalla muestra la hora, temperatura y qué botones de mando se han presionado.

Cuando el horno no está en uso, la pantalla mostrará la hora del día.

Start/Enter (Inicio/Ingreso)

El botón START/ENTER pone en marcha cualquier función del horno a excepción del temporizador. Si no se presiona dentro de los 5 segundos después de haber presionado un botón, "START?" aparecerá en la pantalla como un recordatorio. Si no se presiona dentro de 5 minutos después de haber oprimido un botón, la pantalla mostrará la hora del día y la función programada quedará anulada.

Off/Cancel (Apagado/Anulado)

El botón OFF/CANCEL detiene cualquier función del horno a excepción del reloj, temporizador y los bloqueos de la superficie de cocción y del horno.

Luego de presionar OFF/CANCEL, la pantalla mostrará la hora del día o en su defecto, el tiempo restante si el temporizador de minutos también está en uso.

Reloj

Éste es un reloj de 12 horas y no muestra a.m. o p.m.

Para poner la hora:

1. Presione CLOCK.
2. Presione los botones HOUR/MIN con flechas "hacia arriba" o "hacia abajo" hasta que la hora correcta del día aparezca en la pantalla.
3. Presione CLOCK o START/ENTER.

Señales audibles

Las señales audibles son señales que indican lo siguiente:

Una señal audible

- Presionó el botón válido
- El horno está precalentado
- Se ha ingresado una función

Tres señales audibles

- Presionó un botón inválido

Cuatro señales audibles

- Fin de ciclo
- Recordatorio, repitiendo cada minuto después de las señales de fin de ciclo

Señales audibles de error

Las señales audibles de error indican un problema del control electrónico del horno. Un código de error aparecerá en la pantalla.

Volumen de la señal audible

El volumen puede regularse entre alto y bajo.

Para cambiar: Presione y sostenga DELAY START 5 segundos. Se escuchará una señal audible corta y “Snd HI” o “Snd Lo” aparecerá en la pantalla. Presione y sostenga DELAY START nuevamente 5 segundos para cambiar al ajuste deseado.

Para despejar “Snd on”, “Snd OFF”, “rEP on”, “Snd HI” o “Snd Lo” presione cualquier botón, y la hora del día aparecerá en la pantalla.

Señales audibles recordatorias

Las señales audibles recordatorias son cuatro señales audibles de 1 segundo de duración, las cuales indican que el tiempo fijado para una función del temporizador o del control temporizado del horno ha terminado.

Temporizador

Para encender o apagar las señales audibles (Off/On):

Presione y sostenga SET/OFF 5 segundos. Se escuchará una señal audible corta y “rEP OFF” aparecerá en la pantalla. Repita el procedimiento para volver a encenderlas.

Cocción temporizada

Para encender o apagar las señales audibles: Presione y sostenga COOK TIME. Se escuchará una señal audible corta y “Snd OFF” aparecerá en la pantalla. Repita el procedimiento para volver a encenderlas.

Fahrenheit y Centígrados

La temperatura está prefijada en Fahrenheit pero puede cambiarse a Centígrados.

Para cambiar: Presione y sostenga BROIL 5 segundos. Una señal audible corta sonará y las temperaturas que están en la pantalla cambiarán a “C”. Repita el procedimiento para volver a Fahrenheit.

Temporizador

El temporizador puede ser fijado en minutos y segundos u horas y minutos y hace la cuenta regresiva del tiempo fijado. El temporizador no pone el horno en marcha ni lo detiene.

Para fijar:

1. Presione TIMER SET (ajuste del temporizador).
2. Presione los botones HOUR/MIN con las flechas “hacia arriba” o “hacia abajo” hasta que la duración correcta del tiempo aparezca en la pantalla.
3. Presione START/ENTER o TIMER SET.

El temporizador comenzará a hacer la cuenta regresiva después de que se ponga a funcionar. La pantalla hará la cuenta regresiva en horas y minutos si el tiempo restante es una hora o más, y en minutos y segundos si el tiempo restante es menos de una hora.

Cuando se termine el tiempo fijado, si está activado, se escucharán cuatro señales audibles de 1 segundo, luego las señales audibles recordatorias sonarán cada minuto.

4. Presione TIMER OFF (Temporizador apagado) en cualquier momento para anular el temporizador y /o detener las señales audibles recordatorias.

Bloqueo del horno

El bloqueo del horno impide el uso accidental de los botones de mando del tablero de control. El horno sólo puede ser bloqueado cuando no está en uso o el control del horno no ha sido fijado.

Si el horno ha sido bloqueado antes de un apagón, permanecerá bloqueado después del mismo.

Para bloquear/desbloquear el horno:

Presione y sostenga OVEN 5 segundos. Se escuchará una sola señal audible y aparecerán en la pantalla “Loc” (bloqueado) y la figura de un candado.

Se escucharán tres señales audibles cuando el horno ha sido bloqueado y cualquier otro botón de mando, a excepción de CLOCK (Reloj), TIMER (Temporizador), START/ENTER (Iniciar/Ingresar), OFF/CANCEL (Apagado/Anulado), TOP (Superior) u OVEN (Horno), ha sido presionado.

Para desbloquear el horno, presione y sostenga OVEN 5 segundos. “Loc” (bloqueado) y la figura de un candado desaparecerán de la pantalla.

Control de temperatura del horno

IMPORTANTE: No use un termómetro para medir la temperatura del horno porque el abrir la puerta del horno y el cambio de ciclos del elemento o quemador puede dar lecturas incorrectas.

El horno proporciona temperaturas precisas. Sin embargo, quizás cocine más rápido o más lento que su horno anterior, de modo que se puede regular la calibración de la temperatura. Se puede cambiar a Fahrenheit o Centígrados.

Un signo de menos significa que el horno estará más frío en la proporción indicada por la cifra que aparece en la pantalla. La ausencia del signo significa que el horno estará más caliente en la proporción indicada por la cifra que aparece en la pantalla. Use el siguiente cuadro a manera de guía.

AJUSTE °F (AJUSTE °C)	COCINA LOS ALIMENTOS
10°F (6°C)	...un poco más
20°F (12°C)	...moderadamente más
30°F (18°C)	...mucho más
-10°F (-6°C)	...un poco menos
-20°F (-12°C)	...moderadamente menos
-30°F (-18°C)	...mucho menos

Para regular la calibración de temperatura del horno:

1. Presione y sostenga BAKE 5 segundos hasta que la pantalla del horno muestre la calibración actual, por ejemplo, 0° CAL.”
2. Presione el botón TEMP con la flecha “hacia arriba” o “hacia abajo” para aumentar o disminuir la temperatura en proporciones de 30°F (18°C) y -30°F (-18°C).
3. Presione START/ENTER.

USO DEL HORNO

Papel de aluminio

IMPORTANTE: No forre el fondo del horno con ningún tipo de papel de aluminio, revestimiento o utensilio de cocina ya que dañaría permanentemente el acabado del fondo del horno.

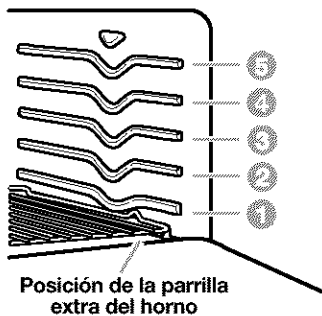
- No obstruya ni tape los conductos de ventilación inferiores del horno.
- No cubra toda la parrilla con papel de aluminio, ya que para lograr óptimos resultados de cocción el aire debe circular con libertad.
- Para recoger los derrames, coloque papel de aluminio en la parrilla que está debajo del recipiente de hornear. Asegúrese de que el forro sea por lo menos una pulgada (2.5 cm) más grande que el recipiente de hornear y que los bordes estén doblados hacia arriba.

Posición de las parrillas y los utensilios para hornear

IMPORTANTE: Nunca coloque alimentos o utensilios para hornear directamente en la puerta o en el fondo del horno ya que dañará permanentemente el acabado de porcelana.

PARRILLAS

Ubique las parrillas antes de encender el horno. No retire las parrillas con los utensilios para hornear sobre ellas. Cerciórese de que las parrillas estén niveladas. Para mover una parrilla, júlela hasta la posición de tope, levante el borde delantero, luego sáqueala. Use como guía la ilustración siguiente y el cuadro.



ALIMENTO	POSICIÓN DE LA PARRILLA
Pays congelados, asados grandes, pavos, pasteles de ángel	1 ó 2
Roscas Bundt, la mayoría de panes rápidos, panes de levadura, guisados, carnes	2
Galletas, pastelillos, panecillos, pasteles y pays no congelados	2 ó 3
Artículos extragrandes	Parrilla extra del horno

UTENSILIOS PARA HORNEAR

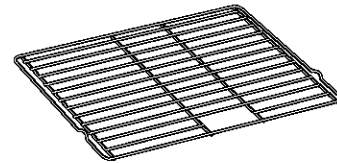
Para la cocción uniforme, el aire caliente debe poder circular. Deje 2 pulg. (5 cm) de espacio alrededor del utensilio para hornear y las paredes del horno. Use el siguiente cuadro como guía.

NO. DE CACEROLA (S)	UBICACIÓN EN LA PARRILLA
1	Centro de la parrilla.
2	Lado a lado o ligeramente en zigzag.
3 ó 4	En esquinas opuestas en cada parrilla. Cerciórese de que ningún utensilio para hornear esté directamente encima del otro.

Parrillas del horno STURDIGLIDE™

Parrilla con agarradera integrada

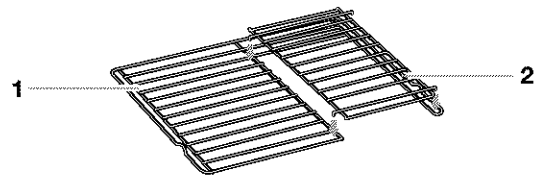
El área de la agarradera integrada hace que se jale la parrilla con facilidad. La abertura es lo suficientemente grande para un agarrador de ollas o unos guantes para hornear.



Media parrilla con inserto desmontable

La media parrilla con inserto desmontable ahorra espacio al máximo. Cuando los dos están unidos, se convierten en una parrilla completa. El accesorio puede ser usado también en el mostrador como parrilla para enfriar.

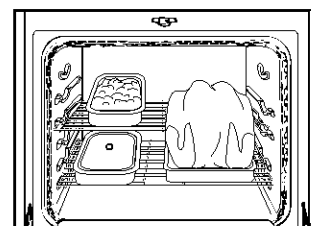
No ponga más de 25 libras en la media parrilla.



1. Media parrilla
2. Inserto desmontable

Para ubicar las parrillas:

1. Coloque una parrilla completa en la guía 1 ó 2, y la media parrilla en la guía 3 ó 4.
2. Coloque los artículos grandes en el lado derecho de la parrilla completa.
3. Coloque los recipientes más profundos y con tapa en el lado izquierdo de la parrilla completa.
4. Coloque los recipientes llanos en la media parrilla.
5. Al terminar de cocinar, retire cuidadosamente los artículos..

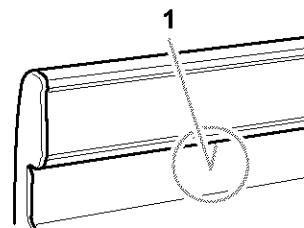


Utensilios para hornear

El material de los utensilios para hornear afecta los resultados de cocción. Siga las recomendaciones del fabricante y emplee el tamaño de utensilio para hornear recomendado en la receta de cocina. Use el siguiente cuadro como guía.

UTENSILIO DE COCINA/ RESULTADOS	RECOMENDACIONES
Aluminio de color claro <ul style="list-style-type: none"> ■ Cortezas doradas claras ■ Dorado uniforme 	<ul style="list-style-type: none"> ■ Use la temperatura y el tiempo recomendados en la receta.
Aluminio oscuro y otros utensilios para hornear con acabado oscuro, mate y/o antiadherente <ul style="list-style-type: none"> ■ Cortezas bien doradas, crujientes 	<ul style="list-style-type: none"> ■ Puede necesitar reducir la temperatura para hornear 25°F (15°C). ■ Use el tiempo recomendado de horneado. ■ Para pays, panes y guisados, use la temperatura recomendada en la receta. ■ Coloque la parrilla en el centro del horno.
Moldes o bandejas para hornear termoaislados <ul style="list-style-type: none"> ■ Poco o nada de dorado en el fondo 	<ul style="list-style-type: none"> ■ Colóquelos en la 3ra posición inferior del horno. ■ Puede necesitar aumentar el tiempo de horneado.
Acero inoxidable <ul style="list-style-type: none"> ■ Cortezas doradas, claras ■ Dorado desigual 	<ul style="list-style-type: none"> ■ Puede necesitar aumentar el tiempo de horneado.
Cerámica de gres <ul style="list-style-type: none"> ■ Cortezas crujientes 	<ul style="list-style-type: none"> ■ Siga las instrucciones del fabricante.
Utensilios de vidrio resistente al horno, cerámica vitrificada o cerámica <ul style="list-style-type: none"> ■ Cortezas doradas, crujientes 	<ul style="list-style-type: none"> ■ Puede necesitar reducir la temperatura para hornear 25°F (15°C).

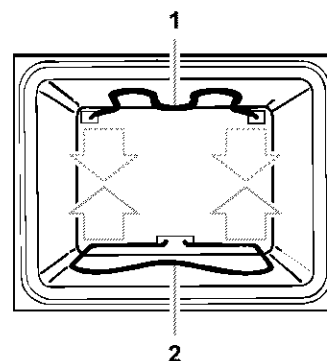
Conducto de ventilación del horno



1. Conducto de ventilación del horno

El conducto de ventilación del horno libera aire caliente y humedad del horno y no debe bloquearse ni taparse. El hacerlo dará lugar a una circulación de aire insatisfactoria, afectando los resultados de cocción y de limpieza. Nunca coloque objetos de plástico, papel u otros artículos que podrían derretirse o quemarse cerca del conducto de ventilación del horno.

Cómo hornear y asar



1. Elemento para asar
2. Elemento para hornear

Sistema regulador de temperatura ULTRABAKE™

El sistema ULTRABAKE regula electrónicamente los niveles de calor del horno durante las etapas de precalentamiento y horneado a fin de mantener una escala de temperatura precisa para lograr óptimos resultados de cocción. Los elementos para hornear y asar se encienden y se apagan en intervalos. Esta característica se activa automáticamente cuando el horno está en uso.

Si abre la puerta del horno durante el ciclo de hornear o asar, el elemento para asar se apagará inmediatamente y el elemento para hornear se apagará en 2 minutos. Estos elementos se encenderán de nuevo tan pronto se cierre la puerta.

Para hornear o asar:

Antes de hornear o asar, coloque las parrillas según la sección "Ubicación de las parrillas y los utensilios para hornear." Al asar, no es necesario esperar a que el horno se precaliente antes de colocar los alimentos en él, a menos que la receta culinaria lo recomiende.

1. Presione BAKE (hornear).

Presione el botón TEMP con flechas "hacia arriba" o "hacia abajo" para ingresar una temperatura que no sea 350°F (177°C). La escala del horneado puede fijarse entre 170°F y 500°F (77°C y 260°C).

2. Presione START/ENTER.

Un tiempo de precalentamiento hará la cuenta regresiva y "PrE HEAT" aparecerá en la pantalla del horno si la temperatura real del horno está debajo de 170°F (77°C).

Cuando la temperatura real del horno alcanza 170°F(77°C), el temporizador continuará haciendo la cuenta regresiva. El ajuste de la temperatura puede cambiarse en cualquier momento luego de presionar START/ENTER.

Mientras el horno está en el modo de precalentamiento, la temperatura fijada se puede ver por 5 segundos al presionar BAKE.

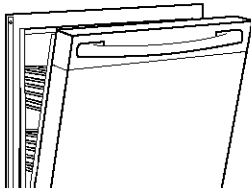
Una vez alcanzada la temperatura fijada, si se han activado las señales audibles, se escuchará una sola señal audible.

3. Presione OFF/CANCEL al terminar de cocinar.

Cómo asar

- Use únicamente la charola y la rejilla para asar, provistas con la cocina. Éstas están diseñadas para drenar los jugos y ayudar a prevenir salpicaduras y humo.
- Para lograr un drenado apropiado, no forre la rejilla con papel de aluminio. El fondo de la charola puede forrarse con papel de aluminio para facilitar su limpieza.
- Quite el exceso de grasa para reducir las salpicaduras. Corte la grasa restante de los bordes para evitar que se ondulen.
- Jale la parrilla del horno a su posición de tope antes de dar vuelta o sacar los alimentos. Use tenazas para dar vuelta la carne a fin de evitar la pérdida de jugos. Quizás no tenga que dar vuelta los cortes muy finos de pescado, aves o carne.
- Luego de asar, saque la charola del horno al retirar los alimentos. Los goteos se hornearán si se deja la charola en el horno caliente, dificultando más la limpieza.

El ciclo de asado usa el calor radiante directo para cocinar los alimentos. Antes de asar, coloque la parrilla según el cuadro para asar. No es necesario precalentar el horno antes de colocar los alimentos a menos que la receta culinaria lo recomiende. Coloque los alimentos en la charola para asar sobre la rejilla, luego ubíquelos en el centro de la parrilla del horno.



Para asar:

1. Abra la puerta del horno hasta la posición de tope del ciclo para asar a fin de asegurar una temperatura para asar adecuada.
2. Presione BROIL.
3. Presione START/ENTER.
El ajuste de temperatura puede verse en cualquier momento antes o después de presionar START/ENTER.
4. Presione OFF/CANCEL al terminar de asar.

Asado con precisión

El cambiar la temperatura al asar con precisión permite un control más exacto de la cocción. Cuanto más baja la temperatura, más lenta será la cocción. Los cortes más gruesos y trozos no uniformes de carne, pescado y aves se pueden cocinar mejor a temperaturas para asar más bajas.

Para el asado con precisión:

1. Presione BROIL.
2. Presione el botón TEMP con la flecha "hacia abajo" para bajar la temperatura en proporciones de 5°F. La escala para asar es de 300°F a 500°F (149°C a 200°C).

3. Presione START/ENTER.

4. Presione OFF/CANCEL al terminar.

Cuadro para asar

Para lograr óptimos resultados, coloque los alimentos a 3 pulgadas (7 cm) de distancia o más del elemento para asar. Los tiempos indicados sirven únicamente de pautas y quizás tengan que regularse al gusto del individuo. Las ubicaciones recomendadas de las parrillas están enumeradas comenzando por el fondo (1) hasta la parte superior (5). Para obtener el diagrama, vea la sección "Ubicación de las parrillas y los utensilios para hornear."

ALIMENTO	POSICIÓN DE LA PARRILLA	TEMPERATURA	TOTAL DE MINUTOS	
			Lado 1	Lado 2
Bistec				
1 pulgada (2.5 cm) de grosor medio crudo	4	HI	14-15	7-8
término medio bien cocido	4	HI	15-16	8-9
	4	HI	18-19	9-10
*Hamburguesas de carne molida				
¾ de pulg. (2 cm) de grosor bien cocidas	4	HI	13-14	6-7
Chuletas de cerdo				
1 pulgada (2.5 cm) de grosor	4	HI	18-21	8-10
Trozo de jamón [precocido]				
½ pulgada (1.25 cm) de grosor	4	HI	8-10	4-5
Tocino				
	4	500°F (260°C)	8-9	1-2
Salchichas alemanas				
	4	HI	6-7	3-4
Chuletas de cordero				
1 pulgada (2.5 cm) de grosor	4	HI	15-17	8-9
Pollo				
Trozos con hueso	3	HI	20-24	15-18
Deshuesados	4	HI	12-16	11-16
Pescado				
½ pulgada (1.25 cm) de grosor	4	HI	8-10	4-5
1 pulgada (2.5 cm) de grosor	4	500°F (260°C)	13-15	10-13

* Coloque hasta 9 hamburguesas, separadas a igual distancia, en la rejilla para asar.

Control temporizado del horno

ADVERTENCIA

Peligro de Intoxicación Alimentaria

No deje sus alimentos en el horno por más de una hora antes o después de su cocción.

No seguir esta instrucción puede ocasionar intoxicación alimentaria o enfermedad.

El Control temporizado del horno permite fijar el horno para encenderlo a cierta hora del día, cocinar durante un lapso de tiempo determinado, y/o apagarlo automáticamente. El inicio diferido no debe usarse para alimentos como panes y pasteles porque no se hornearán adecuadamente.

Para fijar un tiempo de cocción:

Antes de hacer el ajuste, cerciórese de que el reloj tenga la hora correcta del día. Vea la sección "Reloj."

1. Presione **BAKE**.

Presione el botón **TEMP** con la flecha "hacia arriba" o "hacia abajo" para fijar una temperatura que no sea 350°F (177°C).

2. Presione **COOK TIME**.

3. Presione los botones **HOURL/MIN** con las flechas "hacia arriba" o "hacia abajo" para ingresar la duración del tiempo de cocción.

4. Presione **START/ENTER**.

El tiempo de inicio y la cuenta regresiva del tiempo de parada aparecerán en la pantalla del horno. La pantalla hará la cuenta regresiva del tiempo de horneado/asado en horas y minutos (si el tiempo de cocción excede una hora), o en minutos y segundos (si el tiempo de cocción es inferior a una hora).

La temperatura de los ajustes de tiempo puede cambiarse en cualquier momento luego de presionar **START/ENTER** al repetir los pasos 1 al 3.

Una vez alcanzado el tiempo de parada, el horno se apagará automáticamente y "End" y **COOK TIME** aparecerán en la pantalla del horno.

Se escucharán cuatro señales audibles, luego las cuatro señales audibles repetitivas de 1 segundo sonarán cada minuto de allí en adelante.

5. Presione **OFF/CANCEL** o abra la puerta del horno para despejar "End" de la pantalla. La hora del día aparecerá en la pantalla.

Para fijar el tiempo de cocción y el tiempo de parada [inicio diferido]:

1. Presione **BAKE**.

Presione el botón **TEMP** con la flecha "hacia arriba" o "hacia abajo" para fijar una temperatura que no sea 350°F (177°C).

2. Presione **COOK TIME**.

3. Presione los botones **HOURL/MIN** con las flechas "hacia arriba" o "hacia abajo" para ingresar la duración del tiempo de cocción.

4. Presione **DELAY START** (inicio diferido).

5. Presione los botones **HOURL/MIN** con las flechas "hacia arriba" o "hacia abajo" para ingresar la hora del día para poner en marcha.

6. Presione **START/ENTER**.

El tiempo de inicio es calculado automáticamente y aparece en la pantalla. "DELAY" (diferido) y el tiempo de parada también aparecerán en la pantalla del horno.

Una vez alcanzado el tiempo de inicio, el horno se encenderá automáticamente.

Presione el botón **TEMP** con las flechas "hacia arriba" o "hacia abajo" para fijar una temperatura que no sea 350°F (177°C).

Se escucharán cuatro señales audibles, luego cuatro señales audibles repetitivas de 1 segundo sonarán cada minuto.

7. Presione **OFF/CANCEL** o abra la puerta del horno para despejar "End" de la pantalla. La hora del día aparecerá en la pantalla.

Para repetir ajustes temporizados programados:

Para repetir el ajuste	Presione	Aparece en la pantalla 5 segundos
Tiempo de cocción	COOK TIME*	Duración fijada del tiempo de cocción
Inicio diferido	DELAY START	Tiempo fijado de inicio diferido
Temperatura	BAKE	Temperatura fijada

*Si el tiempo de cocción ha empezado, en el momento de presionar **DELAY START**, la pantalla mostrará el tiempo en que comenzó. Al presionar **COOK TIME**, la pantalla despejará los segundos del tiempo de la cuenta regresiva restante.

Para cambiar los ajustes temporizados programados:

Para cambiar el ajuste	Presione	Ajuste en la pantalla
Tiempo de cocción	COOK TIME	Presione la flecha "hacia arriba/hacia abajo" de HOURL/MIN Presione START/ENTER
Inicio diferido*	DELAY START	Presione la flecha "hacia arriba/hacia abajo" de HOURL/MIN Presione START/ENTER
Temperatura	BAKE	Presione la flecha "hacia arriba/hacia abajo" de TEMP Presione START/ENTER

*Una vez alcanzado el tiempo fijado de inicio diferido ya no puede cambiarlo.

Interruptor de 12 horas

El control del horno está fijado para un apagado automático del horno 12 horas después de haberse encendido. Esto no obstaculizará función alguna de cocción temporizada o diferida. La luz del horno se encenderá al abrir la puerta del horno. Para mantener la luz encendida continuamente, encienda la luz presionando OVEN (Horno).

Para anular:

Para períodos de cocción prolongados que necesitan usar el horno más de 12 horas, presione y sostenga CLOCK (Reloj) 5 segundos. Se escuchará una sola señal audible y "12H OFF" aparecerá en la pantalla. El horno permanecerá encendido hasta que se le apague manualmente.

Para reajustar:

Presione y sostenga CLOCK 5 segundos. Se escuchará una sola señal audible y "12H on" aparecerá en la pantalla.

CUIDADO DE LA COCINA

Ciclo de autolimpieza

⚠ ADVERTENCIA



Peligro de Quemadura

No toque el horno durante el ciclo de autolimpieza.

Mantenga a los niños lejos del horno durante el ciclo de autolimpieza.

No use en su horno productos comerciales de limpieza para hornos.

No seguir estas instrucciones puede ocasionar quemaduras o enfermedades por inhalación de gases peligrosos.

IMPORTANTE: La salud de algunas aves es sumamente sensible a los gases emanados durante el ciclo de autolimpieza. La exposición a los gases puede ocasionar la muerte de ciertas aves. Mude siempre las aves a otro cuarto cerrado y bien ventilado.

Haga la autolimpieza del horno antes de que esté muy sucio. La suciedad profunda da lugar a una limpieza más prolongada y más humo.

Mantenga la cocina bien ventilada durante el ciclo de autolimpieza para facilitar la eliminación del calor, olores y humo.

No bloquee el (los) conducto(s) de ventilación del horno durante el ciclo de autolimpieza. El aire debe poder moverse con libertad. Vea la sección "Conducto(s) de ventilación del horno."

No limpie, frote, dañe o mueva la junta de la puerta del horno. La junta de la puerta es esencial para un buen cierre.

Prepare el horno:

- Retire la charola para asar, la rejilla, los utensilios de cocina y de hornear y, en algunos modelos, el medidor de temperatura del horno.
- Retire todo forro de aluminio del horno ya que podría quemarse o derretirse, dañando el horno.
- Retire las parrillas del horno para mantenerlas lustrosas y fáciles de deslizarse. Para mayor información, vea "Limpieza general."
- Limpie manualmente el borde interior de la puerta y el área de 1½ pulg. (3.8 cm) alrededor del marco de la cavidad interna del horno, asegurándose de no mover ni doblar la junta. Esta área no se calienta lo suficiente como para eliminar la suciedad durante la autolimpieza. No deje que el agua, producto de limpieza, etc. penetre en las ranuras del marco de la puerta. Use un paño húmedo para limpiar esta área.
- Limpie cualquier suciedad suelta para reducir el humo y evitar daños. A altas temperaturas, los alimentos reaccionan con la porcelana, pudiendo ocasionar manchas, picaduras, corrosiones o manchas blancas tenues. Esto no afectará el rendimiento de la cocción.

Prepare la superficie de cocción y la gaveta de almacenamiento:

- Quite los artículos de plástico de la superficie de cocción ya que pueden derretirse.
- Quite todos los artículos de la gaveta de almacenamiento.

Cómo funciona el ciclo

IMPORTANTE: El calentamiento y enfriamiento de la porcelana sobre el acero en el horno puede dar lugar a decoloración, pérdida del lustre, agrietamientos finos y estallidos.

El ciclo de autolimpieza SELECT CLEAN™ usa temperaturas muy altas y disuelve la suciedad hasta convertirla en cenizas.

SELECT CLEAN fijará automáticamente el tiempo de limpieza, una vez que se haya fijado el nivel de suciedad.

El nivel de suciedad puede fijarse manualmente en niveles de suciedad ligera, media o profunda al presionar continuamente SELECT CLEAN.

El horno se apagará automáticamente una vez que esté limpio. La puerta no se desbloqueará hasta que el horno se enfríe.

Una vez que el horno se haya enfriado por completo, quite las cenizas con un paño húmedo.

La luz del horno no funcionará durante el ciclo de autolimpieza.

Para fijar SELECT CLEAN (en algunos modelos):

- Presione **una** vez para suciedad **ligera**, y "SoilL" aparecerá en la pantalla.
- Presione **dos** veces para suciedad **media**, y "SoilA" aparecerá en la pantalla.
- Presione **tres** veces para suciedad **profunda** y "SoilH" aparecerá en la pantalla.

Para fijar la LIMPIEZA:

- Presione **CLEAN**. Esto fijará automáticamente un ciclo de autolimpieza de 3 horas y 30 minutos.
- Presione los botones HOUR/MIN con las flechas "hacia arriba" o "hacia abajo" para fijar un ciclo de autolimpieza más prolongado o más corto que el ciclo de 3 horas y 30 minutos.

Para iniciar la autolimpieza:

Antes de la autolimpieza, asegúrese de que la puerta esté completamente cerrada, de lo contrario no se bloqueará y el ciclo no comenzará.

1. Fije SELECT CLEAN (en algunos modelos) o CLEAN.

2. Presione START/ENTER.

La puerta del horno se bloqueará en 6 segundos y aparecerán en la pantalla "LOCKED" (bloqueado), la hora de inicio y la hora de parada. La puerta no se desbloqueará hasta que el horno se enfríe. La duración del ciclo incluye un tiempo de enfriamiento de 30 minutos.

Una vez que el ciclo esté completo y el horno se enfríe, "End" aparecerá en la pantalla y "LOCKED" desaparecerá.

3. Presione cualquier botón para despejar "End" o para abrir la puerta del horno.

4. Cierre la puerta.

La hora del día aparecerá en la pantalla.

Para diferir el inicio de la autolimpieza:

Antes de diferir el inicio de la autolimpieza, cerciórese de que el reloj tenga la hora correcta del día. Vea la sección "Reloj."

Asimismo, asegúrese de que la puerta esté cerrada por completo, de lo contrario no se bloqueará y el ciclo no comenzará.

1. Presione SELECT CLEAN (en algunos modelos) o CLEAN.

2. Presione DELAY START (inicio diferido).

Presione el botón HOUR/MIN con las flechas "hacia arriba" o "hacia abajo" para poner la hora del día y comenzar el ciclo de autolimpieza.

3. Presione START/ENTER.

La hora de inicio se calcula automáticamente y aparece en la pantalla. La puerta se bloqueará automáticamente y también aparecerán en la pantalla "LOCKED" (bloqueado), "DELAY" (diferido) y la hora de parada.

Al alcanzar la hora de inicio, el horno se encenderá automáticamente.

Cuando el ciclo esté completo y el horno se enfríe, "End" aparecerá en la pantalla y "LOCKED" desaparecerá.

4. Presione cualquier botón para despejar "End" o para abrir la puerta del horno.

5. Cierre la puerta.

La hora del día aparecerá en la pantalla.

Para detener la autolimpieza en cualquier momento:

Presione OFF/CANCEL y aparecerán en la pantalla "cln", "ON" y "LOCKED" hasta que el horno se enfríe. Después aparecerá "End" y la puerta se desbloqueará.

Limpiieza general

IMPORTANTE: Antes de limpiar, asegúrese de que todos los controles estén apagados y que el horno y la superficie de cocción estén fríos. Siga siempre las instrucciones que vienen en las etiquetas de los productos de limpieza.

A menos que se indique lo contrario, se sugiere primero el jabón, agua y un paño suave o una esponja.

SUPERFICIES EXTERIORES DE ESMALTE DE PORCELANA

(en algunos modelos)

Los derrames de alimentos que contienen ácidos, tales como vinagre y tomate, deberán limpiarse tan pronto se enfríe el electrodoméstico. Estos derrames pueden afectar el acabado.

- Producto para limpiar vidrios, producto de limpieza líquido suave o estropajo no abrasivo:

Limpié cuidadosamente alrededor de la placa con el número de modelo y de serie porque el refregar puede borrar los números.

EXTERIOR DE LA PUERTA DEL HORNO

- Producto para limpiar vidrios y toallas de papel o estropajo de plástico no abrasivo

Aplique el producto para limpiar vidrios al paño suave o esponja, no lo haga directamente sobre el tablero.

PARRILLAS Y TAPAS REVESTIDAS DE PORCELANA

Los derrames de alimentos que contienen ácidos tales como vinagre y tomate se deben limpiar tan pronto la superficie de cocción, las parrillas y las tapas se hayan enfriado. Estos derrames pueden afectar el acabado.

Para evitar que se piquen, no golpee las parrillas y las tapas entre sí o con superficies duras como utensilios de cocina de hierro fundido.

No vuelva a montar las tapas en los quemadores mientras estén mojados.

No las limpie en el ciclo de autolimpieza.

- Estropajo de plástico no abrasivo y producto de limpieza ligeramente abrasivo:

Limpié tan pronto la superficie de cocción, las parrillas y las tapas se hayan enfriado.

- Lavavajillas (sólo las parrillas, no las tapas):

Use el ciclo más fuerte.

QUEMADORES EXTERIORES

Modelos con quemadores sellados

Vea la sección "Quemadores exteriores sellados."

Modelos con quemadores abiertos

Vea la sección "Quemadores abiertos."

CONTROLES DE LA SUPERFICIE DE COCCIÓN

No use productos de limpieza abrasivos, de fibra metálica o para limpiar hornos.

No remoje las perillas.

Al volver a montar las perillas, asegúrese de que las perillas estén en la posición OFF.

En algunos modelos, no quite los obturadores que están debajo de las perillas.

- Agua y jabón o lavavajillas:

Jale las perillas en sentido recto para quitarlas del tablero de control.

TABLERO DE CONTROL

No use productos de limpieza abrasivos, estropajos de fibra de acero, paños ásperos o ciertas toallas de papel ya que podrían dañar el tablero.

- Producto para limpiar vidrios y un paño suave o esponja:

Aplique el producto para limpiar vidrios al paño suave o esponja, no lo haga directamente sobre el tablero.

CAVIDAD DEL HORNO

No use productos comerciales de limpieza para hornos.

Los derrames de alimentos deberán limpiarse cuando el horno se enfríe. A altas temperaturas, la reacción química de los alimentos con la porcelana puede dar lugar a manchas, corrosión, picaduras o tenues puntos blancos.

- Ciclo de autolimpieza:

Vea primero la sección "Ciclo de autolimpieza."

PARRILLAS DEL HORNO

■ Ciclo de autolimpieza:

Vea primero la sección "Ciclo de autolimpieza". Las parrillas se decolorarán y será más difícil deslizarlas. Luego de la limpieza, una ligera capa de aceite vegetal aplicado a las guías de las parrillas las ayudará a deslizarse.

■ Estropajo de fibra metálica

CHAROLA Y REJILLA PARA ASAR

No las limpie en el ciclo de autolimpieza.

■ Producto de limpieza ligeramente abrasivo:

Refriegue con un estropajo húmedo.

■ Solución de ½ taza (125 mL) de amoníaco por un galón (3.75 L) de agua:

Remoje 20 minutos, luego refriegue con un estropajo o una esponja de fibra metálica.

■ Producto para limpiar hornos:

Siga las instrucciones de la etiqueta del producto.

Sólo esmalte de porcelana, no cromo

■ Lavavajillas

GAVETA DE ALMACENAMIENTO

Asegúrese de que la gaveta esté fría y vacía antes de limpiarla.

Para mayor información, vea la sección "Gaveta de almacenamiento."

■ Detergente suave

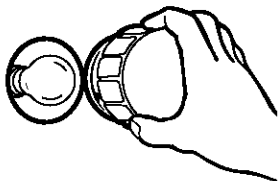
Luz del horno

La luz del horno es una bombilla estándar para electrodomésticos de 40 vatios. Se encenderá cuando se abra la puerta del horno. No funcionará durante el ciclo de Autolimpieza. Cuando la puerta del horno esté cerrada, presione el botón **OVEN** para encender y apagar.

Antes de cambiarla, asegúrese de que el horno y la superficie de cocción estén fríos y que las perillas de control estén apagadas.

Para reemplazar:

1. Desenchufe la cocina o desconecte la electricidad.
2. Para quitarla, gire a la izquierda la pantalla de vidrio de la bombilla que está en la parte posterior del horno.



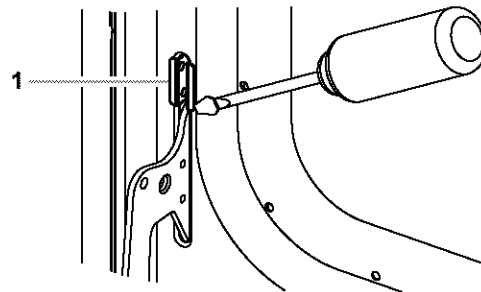
3. Gire la bombilla a la izquierda para sacarla del casquillo.
4. Reemplace la bombilla, luego la pantalla de la bombilla girándolas hacia la derecha.
5. Enchufe la cocina o vuelva a conectar la electricidad.

Puerta del horno

Para uso normal de la cocina, no se aconseja quitar la puerta del horno. Sin embargo, de ser necesario, siga estas instrucciones. La puerta del horno es pesada.

Antes de quitarla:

1. Use una espátula o un destornillador e introdúzcalo en la esquina inferior del gancho de tope de la puerta.

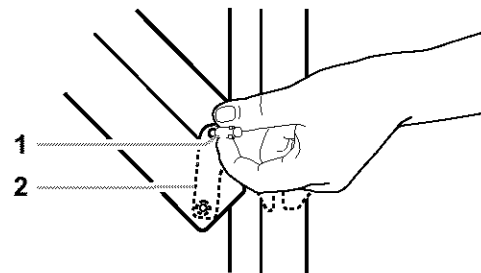


1. Gancho de tope de la puerta

2. Palanquee y libere el gancho de tope de la puerta y sáquelo de la ranura de la bisagra del marco delantero. Asegúrese de no arañar el acabado.
3. Repita el procedimiento para el otro gancho de tope de la puerta.

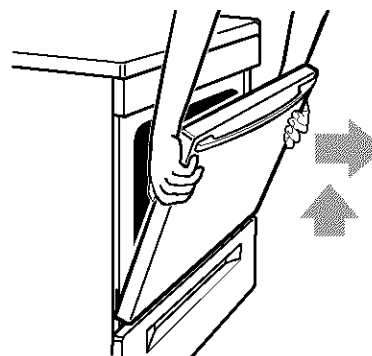
Para quitarla:

1. Abra la puerta del horno. Introduzca los pernos para quitar la puerta, los cuales vienen con su cocina, en los ganchos de suspensión de la bisagra. No quite los pernos mientras esté sacando la puerta de la cocina.



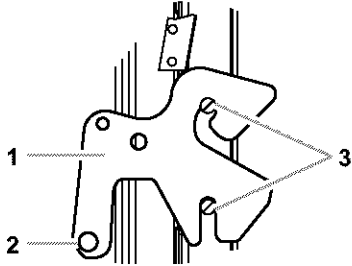
1. Pernos para quitar la puerta
2. Ganchos de suspensión de la bisagra

2. Cierre la puerta cuidadosamente hasta que descansa contra los pernos para quitar la puerta.
3. Sujete ambos lados de la parte delantera de la puerta con sus dedos y use sus pulgares en la superficie interior.
4. Jale la puerta hacia arriba y luego hacia usted. Los ganchos de suspensión de la bisagra se deslizarán de la ranura de la bisagra del marco delantero. No quite los pernos para quitar la puerta hasta que ésta haya sido colocada de nuevo en la cocina.



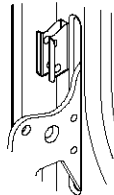
Para volver a colocarla:

1. Sujete ambos lados de la parte delantera de la puerta con sus dedos y use sus pulgares en la superficie interior.
2. Sostenga la puerta del horno de modo que el borde superior de cada gancho de suspensión esté en posición horizontal. Introduzca los ganchos de suspensión de la bisagra en las ranuras de bisagras del marco delantero.
3. Incline la parte superior de la puerta hacia la cocina. Deslice los ganchos de suspensión de la bisagra hacia donde se encuentran los pernos de apoyo del marco delantero. Asegúrese que los ganchos de suspensión de las bisagras estén debidamente sentados y enganchados en los pernos de apoyo.



1. Ganchos de suspensión de las bisagras
2. Bisagra del marco de la puerta
3. Pernos de apoyo

4. Introduzca el gancho de tope de la puerta con la superficie angular en la parte superior de la ranura de la bisagra del marco, luego oprima la parte inferior del gancho hasta que las pestañas estén niveladas con el marco delantero.



5. Abra la puerta por completo y quite los pernos para quitar la puerta. Guarde los pernos para quitar la puerta para un uso posterior.
6. Cierre la puerta.

Gaveta de almacenamiento

La gaveta de almacenamiento es desmontable. Antes de quitarla, cerciórese de que la gaveta esté fría y vacía.

Para quitarla:

1. Jale la gaveta en sentido recto hasta el primer tope.
2. Levante la parte trasera de la gaveta y júlela hacia fuera.

Para volver a montarla:

1. Encaje los extremos de los rieles de la gaveta en las guías que están en la cavidad.
2. Deslice la gaveta para cerrarla.

SOLUCIÓN DE PROBLEMAS

Pruebe primero las soluciones aquí sugeridas para evitar el costo de una visita de servicio técnico innecesaria.

Nada funciona

- **¿Se ha cableado y polarizado debidamente el contacto de suministro eléctrico?**
Pruebe otro contacto para verificar el cableado y la polaridad adecuados.

- **¿Está desenchufado el cable eléctrico?**
Enchúfelo en un contacto de tres terminales con debida conexión a tierra.
- **¿Se ha quemado un fusible en casa o se ha disparado el disyuntor?**
Cambie el fusible o vuelva a conectar el circuito.
- **¿Está la válvula principal o la válvula reguladora de cierre del gas en la posición "off" (apagado)?**
Vea las instrucciones de instalación.
- **¿Está la cocina debidamente conectada al suministro de gas?**
Póngase en contacto con un especialista competente en reparaciones de Sears o vea las instrucciones de instalación.

Los quemadores exteriores no funcionan

- **¿Es ésta la primera vez que se usan los quemadores exteriores?**
Encienda cualquiera de las perillas de los quemadores exteriores para liberar el aire proveniente de la tubería del gas.
- **En algunos modelos, ¿se ha fijado el Bloqueo de la Superficie de cocción?**
Vea la sección "Bloqueo de la Superficie de cocción."
- **¿Se ha fijado correctamente la perilla de control?**
Oprima la perilla antes de girar a un ajuste.
- **¿Están obstruidos los orificios del quemador?**
En modelos con quemadores sellados, vea la sección "Quemadores exteriores sellados."
En modelos con quemadores abiertos, vea la sección "Quemadores abiertos."

Las llamas del quemador exterior están desiguales, amarillas y/o ruidosas

- **¿Están obstruidos los orificios del quemador?**
En modelos con quemadores sellados, vea la sección "Quemadores exteriores sellados."
En modelos con quemadores abiertos, vea la sección "Quemadores abiertos."
- **¿En modelos con tapas, están las tapas del quemador colocadas adecuadamente?**
Vea la sección "Quemadores exteriores sellados."
- **¿Está dañado el quemador?**
En modelos con tapas, revise si la tapa está torcida. Si la tapa gira libremente en una superficie plana, con la parte pintada hacia abajo, la tapa está torcida. Cambie la tapa con un quemador exterior diferente para verificar el nivel de torcimiento. Póngase en contacto con un especialista competente en reparación de Sears.
- **¿Se está usando gas propano?**
El electrodoméstico puede haber sido convertido incorrectamente. Póngase en contacto con un especialista competente en reparación de Sears.

El quemador exterior hace estallidos

- **¿Está mojado el quemador?**
Déjelo secar.

Calor excesivo alrededor del utensilio de cocina en la superficie de cocción

- **¿Es el utensilio de cocina del tamaño apropiado?**
Use el utensilio de cocina de tamaño similar al área, elemento de cocción exterior o quemador exterior. El utensilio de cocina no debe extenderse más de una pulgada (2.5 cm) fuera del área de cocción.

El horno no funciona

- **¿Se ha cableado y polarizado debidamente el contacto de suministro eléctrico?**
Pruebe otro contacto para verificar si el cableado y la polaridad son los adecuados.
- **¿Es ésta la primera vez que usa el horno?**
Encienda cualquiera de las perillas del quemador exterior para liberar el aire proveniente de la tubería de gas.
- **¿Se ha fijado debidamente el control electrónico del horno?**
Vea la sección "Control electrónico del horno."
- **En algunos modelos, ¿se ha fijado el Bloqueo del horno?**
Vea la sección "Bloqueo del horno."

El horno hace un ruido sordo acompasado cuando está en uso

- Esto es normal y ocurre cuando el quemador del horno se enciende y apaga para mantener la temperatura fijada del horno.

El quemador del horno se enciende y después de un minuto se apaga

- Presione OFF/CANCEL, luego espere un minuto antes de intentarlo de nuevo.
- **¿Se ha cableado y polarizado debidamente el contacto de suministro eléctrico?**
Pruebe otro contacto para verificar si el cableado y la polaridad son los adecuados.

Las llamas del quemador del horno son amarillas o ruidosas

- **¿Se está usando gas propano?**
El electrodoméstico puede haber sido convertido incorrectamente. Póngase en contacto con un especialista competente en reparación de Sears.

La temperatura del horno es demasiado alta o demasiado baja

- **¿La calibración de temperatura del horno necesita un ajuste?**
Vea la sección "Control de temperatura del horno."

La pantalla muestra mensajes

- **¿Está la pantalla mostrando "PF"?**
Ha ocurrido un corte de electricidad. Presione OFF/CANCEL para despejar la pantalla. Vuelva a poner el reloj a la hora de ser necesario. Vea la sección "Reloj."
- **¿Está la pantalla mostrando "F" seguida de un número?**
Presione OFF/CANCEL para despejar la pantalla. Si vuelve a aparecer el código "F", póngase en contacto con un especialista competente en reparaciones de Sears.

El ciclo de autolimpieza no funciona

- **¿Está la puerta del horno abierta?**
Cierre bien la puerta del horno.
- **¿Se ha presionado START/ENTER?**
Presione START/ENTER.
- **¿Se ha fijado un inicio diferido?**
Vea la sección "Cocción temporizada."

Los resultados de cocción de la superficie de cocción no son los que se esperaba

- **¿Se está usando el utensilio de cocina apropiado?**
Vea la sección "Utensilios de cocina."
- **¿Se ha fijado la perilla de control en el nivel apropiado de calor?**
Vea la sección "Perillas de control."
- **¿Está nivelado el electrodoméstico?**
Nivele el electrodoméstico. Vea las instrucciones de instalación.

Los resultados del horneado no son los que se esperaba

- **¿Se ha precalentado el horno?**
Espere que el horno se precaliente antes de colocar los alimentos en él.
- **¿Se han ubicado las parrillas adecuadamente?**
Vea la sección "Ubicación de las parrillas y los utensilios para hornear."
- **¿Hay circulación de aire apropiada alrededor del utensilio para hornear?**
Vea la sección "Ubicación de las parrillas y los utensilios para hornear."
- **¿Se ha distribuido la masa en forma pareja en el molde para hornear?**
Revise para asegurarse de que la masa esté nivelada en el molde para hornear.
- **¿Está nivelado el electrodoméstico?**
Nivele el electrodoméstico. Vea las instrucciones de instalación.
- **¿Están los artículos horneados demasiado dorados en el fondo?**
Disminuya la temperatura del horno de 15°F a 25°F (5°C a 15°C).
- **¿Se están dorando los bordes de las cortezas antes de tiempo?**
Use papel de aluminio para cubrir el borde de la corteza.

Horneado o asado lento

- **¿Se ha precalentado el horno?**
Espere que el horno se caliente antes de colocar los alimentos en él.
- **¿Hay circulación de aire apropiada alrededor del utensilio para hornear?**
Vea la sección "Ubicación de las parrillas y los utensilios para hornear."
- **¿Se está usando un lapso de tiempo apropiado?**
Aumente el tiempo para hornear o asar.
- **¿Se ha fijado la temperatura apropiada?**
Aumente la temperatura 25°F (15°C).
- **¿Se ha abierto la puerta del horno durante la cocción?**
Abrir el horno para mirar los alimentos disminuye el calor del horno y puede prolongar los tiempos de cocción.

Get it fixed, at your home or ours!

For repair of major brand appliances **in your own home...**
no matter who made it, no matter who sold it!

1-800-4-MY-HOME® Anytime, day or night
(1-800-469-4663)

www.sears.com

For repair of carry-in products like vacuums, lawn equipment,
and electronics, call for the location of your nearest
Sears Parts and Repair Center.

1-800-488-1222 Anytime, day or night

www.sears.com

For the replacement parts, accessories and owner's manuals
that you need to do-it-yourself, call **Sears PartsDirectSM**!

1-800-366-PART 6 a.m. – 11 p.m. CST,
(1-800-366-7278) 7 days a week

www.sears.com/partsdirect

To purchase or inquire about a Sears Service Agreement
or Sears Maintenance Agreement:

1-800-827-6655

7 a.m. – 5 p.m. CST, Mon. – Sat.

Para pedir servicio de reparación a
domicilio, y para ordenar piezas:

1-888-SU-HOGARSM
(1-888-784-6427)

Au Canada pour service en français:

1-877-LE-FOYER®
(1-877-533-6937)
www.sears.ca

