

(HTB-505 Quick-Connect Guide on other side)

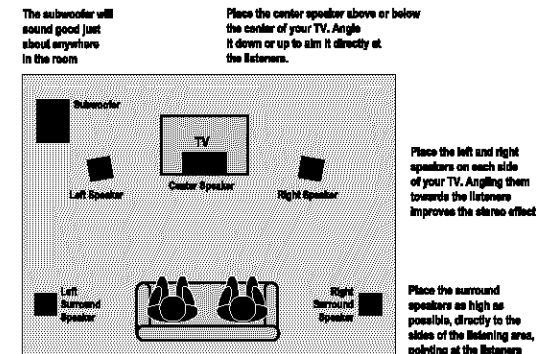
Congratulations!

The HTB-405 Home Theatre System will make watching movies at home more fun than ever. To connect your speakers to the receiver follow the instructions on this sheet. To learn how to operate your receiver please read and follow the instruction manual included in the receiver's box. If you're also connecting other equipment, such as a TV, VCR, DVD player, CD player or other source component, use the receiver's manual in combination with the manuals that came with those components.

Placing Your Speakers

Place the speakers as shown in the diagram below. While you're setting the speakers up, keep these points in mind:

- If the subwoofer causes discoloration of the TV picture, move it away from the TV until the discoloration disappears.
- Since the center speaker is magnetically shielded, you can place it right on top of the TV without worrying about picture discoloration.
- You can hang the speakers on the wall using heavy-duty picture hangers.
- Placing the subwoofer next to a wall yields more deep bass output than placing it away from a wall. Placing the subwoofer in a corner yields the deepest bass output overall.



Connecting Your Speakers

Important: Do not plug the receiver's power cord into AC outlets until you have properly connected all of the speakers.

Connect the speakers as shown in the main diagram.

In each case, connect the colored speaker wire to corresponding terminals on the speaker and receiver.

To make connecting the speakers easier, we have color-coded the speaker wire and the terminals on the speakers, labeled the terminals on the receiver, and pre-stripped the insulation from the ends of the wire. **DO NOT PUSH THE WIRE TOO FAR INTO THE SPEAKER TERMINALS AS THIS WILL NOT ALLOW THE WIRE TO MAKE PROPER CONTACT.**

Setting Up Your Receiver

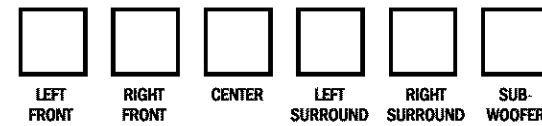
The receiver has a Quick Setup procedure that makes this easy. After you've made all of the connections, follow these steps. (You'll be using the remote control):

Balancing the Speakers

Your receiver comes with the speaker volume settings pre-balanced. If you have positioned the speakers as shown in the diagram your system will create a spacious surround sound environment right out of the box with no further adjustment required.

If your room is arranged differently than shown in the diagram, or if you simply want to fine-tune your system's performance, you can easily change the volumes of the individual speakers to get a better balance:

1. Press the SETUP button 8 times. The display will read "AUTO".
2. Rock the MULTI CONTROL joystick forward once. The display will change to "MANUAL".
3. Press the SETUP button repeatedly until the speaker you want to adjust appears on the display. You will hear test noise through the speaker.
4. Rock the MULTI CONTROL joystick forward to increase the speaker's volume, rock it backward to decrease the speaker's volume.
5. Do not be concerned with the volume level readout on the display while you're adjusting the speakers—this is for reference purposes only. However, once you have balanced all the speakers you should write each speaker's volume setting down here for reference:

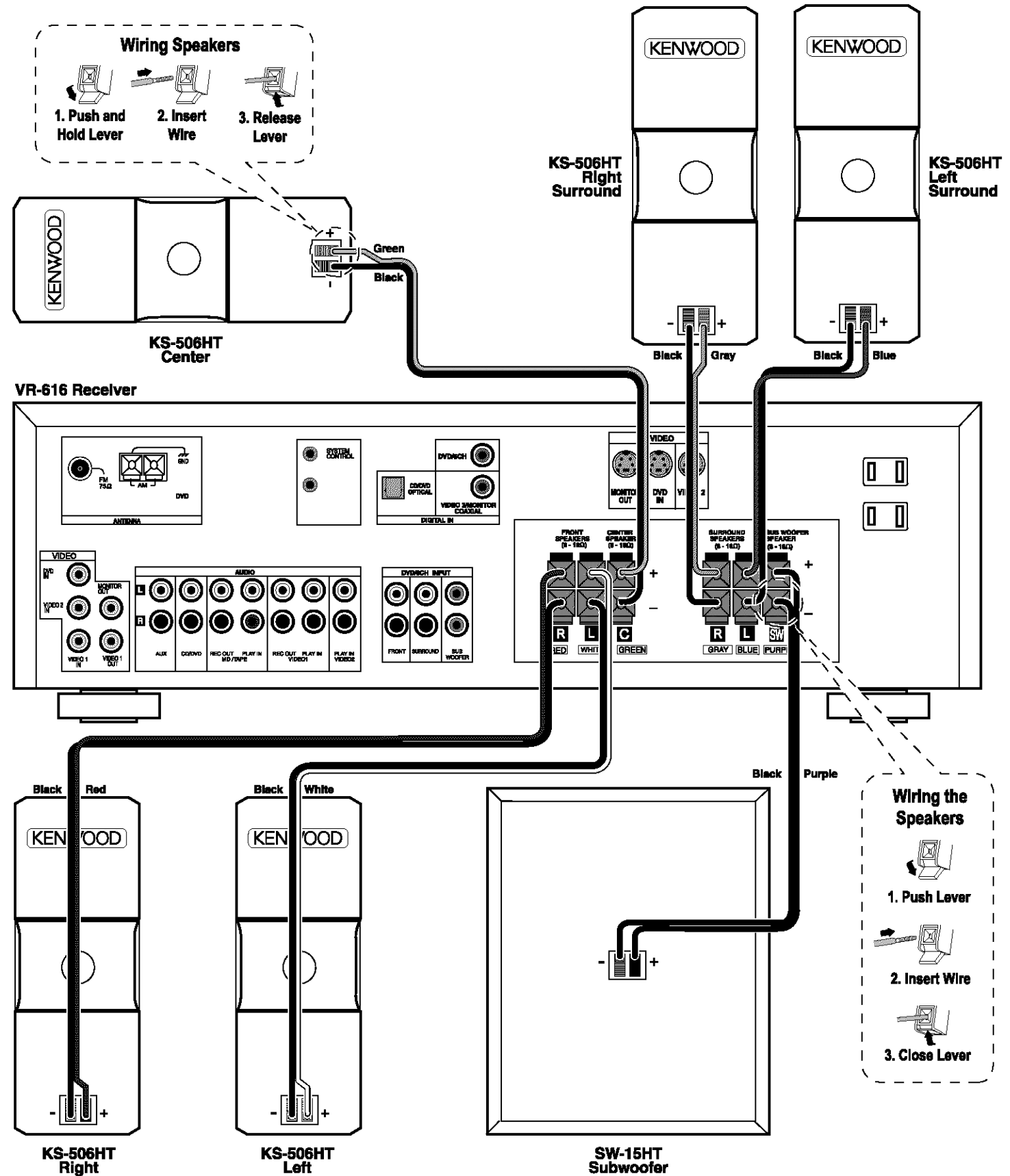


6. Press the SETUP button on the remote 5 times to exit the setup mode.

Setting the Speaker Distances

This last step adjusts the timing of all the speakers so that their sound arrives at the listening location at the proper time.

1. Measure the distance from each speaker to your seat. Write the distances down.
2. Press the SETUP button on the remote 11 times. The display will read "10FT 3.0M", and the left and right speaker icons will flash.
3. Rock the MULTI CONTROL joystick forward or backward until the display matches the distance from your left and right speakers to your listening position.
4. Press the SETUP button again and repeat step 3 for the center speaker, and again for the surround speakers.
5. When you've finished setting the speaker distances, press the SETUP button 2 times to exit the setup mode.



(HTB-405 Quick-Connect Guide on other side)

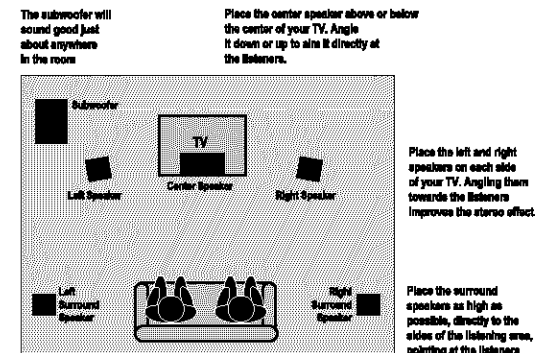
Congratulations!

The HTB-505 Home Theatre System will make watching movies at home more fun than ever. To connect your speakers to the receiver follow the instructions on this sheet. To learn how to operate your receiver please read and follow the instruction manual included in the receiver's box. If you're also connecting other equipment, such as a TV, VCR, DVD player, CD player or other source component, use the receiver's manual in combination with the manuals that came with those components.

Placing Your Speakers

Place the speakers as shown in the diagram below. While you're setting the speakers up, keep these points in mind:

- If the subwoofer causes discoloration of the TV picture, move it away from the TV until the discoloration disappears.
- Since the center speaker is magnetically shielded, you can place it right on top of the TV without worrying about picture discoloration.
- You can hang the speakers on the wall using heavy-duty picture hangers.
- Placing the subwoofer next to a wall yields more deep bass output than placing it away from a wall. Placing the subwoofer in a corner yields the deepest bass output overall.



Connecting Your Speakers

Important: Do not plug the receiver's power cord into AC outlets until you have properly connected all of the speakers.

Connect the speakers as shown in the main diagram.

In each case, connect the colored speaker wire to corresponding terminals on the speaker and receiver.

To make connecting the speakers easier, we have color-coded the speaker wire and the terminals on the speakers, labeled the terminals on the receiver, and pre-stripped the insulation from the ends of the wire. **DO NOT PUSH THE WIRE TOO FAR INTO THE SPEAKER TERMINALS AS THIS WILL NOT ALLOW THE WIRE TO MAKE PROPER CONTACT.**

The subwoofer connects to the receiver using the audio cable:

- Connect one end of the audio cable to the input connector on the subwoofer labeled L/MONO, and connect the other end to the connector on the receiver labeled SUB WOOFER PRE OUT.

Using Your Subwoofer

Your SW-36HT subwoofer has features that make it easy to set up and use:

Auto Power On/Off

After you turn the subwoofer's power switch On for the first time, the subwoofer's Auto Power On/Off feature will put it into

Standby when you're not using it and turn it On again when you use your system. (When the subwoofer is On the indicator on its rear panel glows green. When it is in Standby the indicator glows red.) If you will not be using your system for an extended period of time we recommend that you turn the subwoofer's power switch Off.

Crossover Filter Switch

Since your system's receiver has a built-in crossover (circuitry that separates the bass from the rest of the sound) on its subwoofer output, set the subwoofer's Crossover Filter Switch to Off.

Volume Control

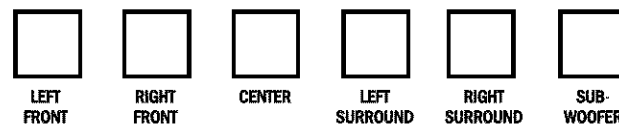
Initially, set the subwoofer's volume knob to the 11 o'clock position. During normal operation you will use the receiver's subwoofer volume control to adjust the subwoofer volume. (This is much more convenient than having to reach behind the subwoofer to turn its volume knob every time you want to adjust its volume.) If the receiver's subwoofer volume control won't go loud or soft enough, re-adjust the subwoofer's volume knob to compensate. See the receiver's instruction manual for details on using the receiver's subwoofer volume control.

Balancing the Speakers

Your receiver comes with the speaker volume settings pre-balanced. If you have positioned the speakers as shown in the diagram your system will create a spacious surround sound environment right out of the box with no further adjustment required.

If your room is arranged differently than shown in the diagram, or if you simply want to fine-tune your system's performance, you can easily change the volumes of the individual speakers to get a better balance:

1. Press the SETUP button 8 times. The display will read to "AUTO".
2. Rock the MULTI CONTROL joystick forward once. The display will change to "MANUAL".
3. Press the SETUP button repeatedly until the speaker you want to adjust appears on the display. You will hear test noise through the speaker.
4. Rock the MULTI CONTROL joystick forward to increase the speaker's volume, rock it backward to decrease the speaker's volume.
5. Do not be concerned with the volume level readout on the display while you're adjusting the speakers—this is for reference purposes only. However, once you have balanced all the speakers you should write each speaker's volume setting down here for reference:



6. Press the SETUP button on the remote 5 times to exit the setup mode.

Setting the Speaker Distances

This last step adjusts the timing of all the speakers so that their sound arrives at the listening location at the proper time.

1. Measure the distance from each speaker to your seat. Write the distances down.
2. Press the SETUP button on the remote 11 times. The display will read "10FT 3.0M", and the left and right speaker icons will flash.
3. Rock the MULTI CONTROL joystick forward or backward until the display matches the distance from your left and right speakers to your listening position.
4. Press the SETUP button again and repeat step 3 for the center speaker, and again for the surround speakers.
5. When you've finished setting the speaker distances, press the SETUP button 2 times to exit the setup mode.

