

Owner's Manual

CRAFTSMAN®

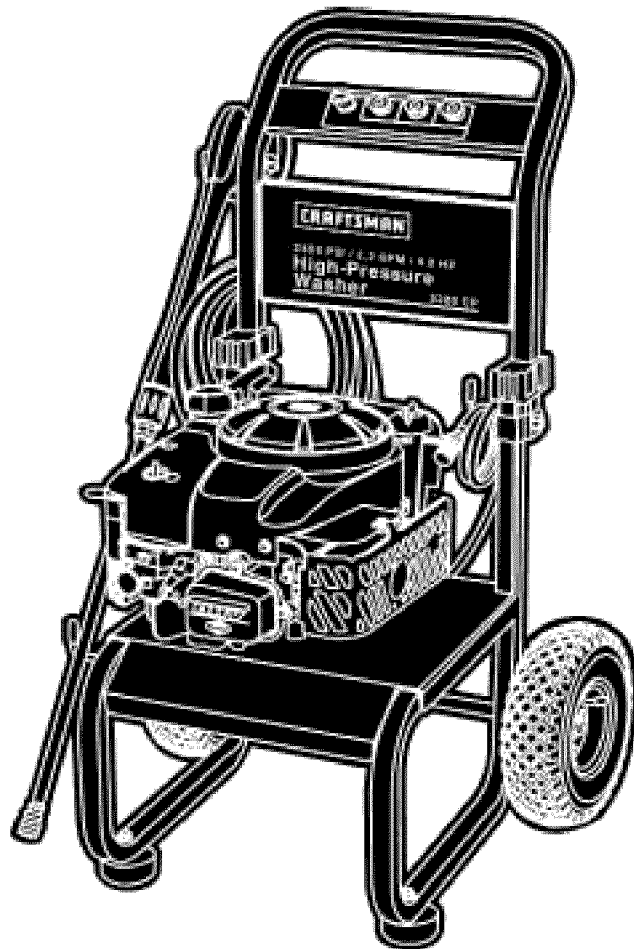
6.0 HORSEPOWER

2,400 PSI

2.2 GPM

HIGH PRESSURE WASHER

Model No. 580.768330



HOURS: Mon. - Fri. 8 a.m. to 5 p.m. (CT)

CAUTION: Before using this product, read this manual and follow all Safety Rules and Operating Instructions.

- Safety
- Assembly
- Operation
- Maintenance
- Parts
- Español

SEARS, ROEBUCK and CO., Hoffman Estates, IL 60179 U.S.A.

Visit our Craftsman website: www.sears.com/craftsman

TABLE OF CONTENTS

WARRANTY	2	STORAGE	13
SAFETY RULES	2-3	TROUBLESHOOTING	14
ASSEMBLY	4-5	REPLACEMENT PARTS	16-23
OPERATION	6-9	EMISSION CONTROL WARRANTY	24
MAINTENANCE	9-12	ESPAÑOL	25-39
SPECIFICATIONS	10	HOW TO ORDER PARTS	BACK PAGE

WARRANTY

LIMITED WARRANTY ON CRAFTSMAN HIGH PRESSURE WASHER

For one year from the date of purchase, when this Craftsman pressure washer is maintained and operated according to the instructions in the owner's manual, Sears will repair, free of charge, any defect in material and workmanship.

If this washer is used for commercial purposes, this warranty applies for only 90 days from the date of purchase. If this high pressure washer is used for rental purposes, this warranty applies for only 30 days after date of purchase.

This warranty does not cover:

- Expendable items such as spark plugs or air filters, which become worn during normal use.
- Repairs necessary because of operator abuse or negligence, including damage resulting from no water being supplied to pump or failure to maintain the equipment according to the instructions contained in the owner's manual.

Warranty service is available by returning the high pressure washer to the nearest Sears service center or dealer in the United States.

This warranty gives you specific legal rights and you may also have other rights, which vary from state to state.

Sears, Roebuck and Co., Dept. 817WA, Hoffman Estates, IL 60179

SAFETY RULES



WARNING:



The engine exhaust from this product contains chemicals known to the State of California to cause cancer, birth defects, or other reproductive harm.



CAUTION! When setting up, transporting, adjusting or making repairs to your high pressure washer, always disconnect the spark plug wire from the spark plug and place the wire where it cannot contact spark plug.



DANGER! Engine exhaust gases contain DEADLY carbon monoxide gas. This dangerous gas, if breathed in sufficient concentrations, can cause unconsciousness or even death. Operate this equipment only in the open air where adequate ventilation is available.



DANGER! Gasoline is highly FLAMMABLE and its vapors are EXPLOSIVE. **Do Not** permit smoking, open flames, sparks or heat in the vicinity while handling gasoline. Avoid spilling gasoline on a hot engine. Allow unit to cool before refueling. Comply with all laws regulating storage and handling of gasoline.

Read this manual carefully and become familiar with your pressure washer. Know its applications, its limitations, and any hazards involved.

- Locate this pressure washer in areas away from combustible materials, combustible fumes or dust.
- The high pressure equipment is designed to be used with Sears authorized parts **ONLY**. If you use this equipment with parts that do not comply with minimum specifications, the user assumes all risks and liabilities.
- Some chemicals or detergents may be harmful if inhaled or ingested, causing severe nausea, fainting or poisoning. The harmful elements may cause property damage or severe injury.

SAFETY RULES

- **Do Not** allow CHILDREN to operate the pressure washer at any time.
- Operate engine only at governed speed. Running the engine at excessive speeds increases the hazard of personal injury. **Do Not** tamper with parts which may increase or decrease the governed speed.
- **Do Not** wear loose clothing, jewelry or anything that may be caught in the starter or other rotating parts.
- Before starting the pressure washer in cold weather, check all parts of the equipment and be sure ice has not formed there.
- **Never** use a spray gun which does not have a trigger lock or trigger guard in place and in working order.
- Keep the hose connected to machine or the spray gun while the system is pressurized. Disconnecting the hose while the unit is pressurized is dangerous.
- Units with broken or missing parts, or without protective housing or covers, should NEVER be operated.
- Check the fuel system for leaks or signs of deterioration, such as chafed or spongy hose, loose or missing clamps, or damaged tank or cap. Correct all defects before operating the pressure washer.
- **Do Not** spray flammable liquids.
- Use a respirator or mask whenever there is a chance that vapors may be inhaled. Read all instructions with mask so you are certain the mask will provide the necessary protection against inhaling harmful vapors.
- **Never** aim the spray gun at people, animals or plants. The high pressure stream of water that this equipment produces can pierce skin and its underlying tissues, leading to serious injury and possible amputation.
- **Never** allow any part of the body to come in contact with the fluid stream. **Do Not** come in contact with a fluid stream created by a leak in the high pressure hose.
- Always wear eye protection when you use this equipment or when you are in the vicinity where the equipment is in use.
- High pressure spray can cause paint chips or other particles to become airborne.
- **Do Not** operate the pressure washer above the rated pressure.
- **Never** move the machine by pulling on the high pressure hose. Use the handle provided on the unit.
- Always be certain the spray gun, nozzles and accessories are correctly attached.
- **Do Not** secure the spray gun in the (open) position.
- High pressure spray may damage fragile items including glass. **Do Not** point spray gun at glass when in the jet spray mode.
- Hold the spray gun firmly in your hand before you start the unit. Failure to do so could result in an injury from a whipping spray gun. **Do Not** leave the spray gun unattended while the machine is running.
- The cleaning area should have adequate slopes and drainage to reduce the possibility of a fall due to slippery surfaces.
- Keep water spray away from electric wiring or fatal electric shock may result.
- **Do Not** by-pass any safety device on this machine.
- The muffler and engine heat up during operation and remain hot immediately after shutting it down. Avoid contact with a hot muffler or engine as you could be severely burned.
- Operate and store this unit on a stable surface.
- High pressure hose can develop leaks from wear, kinking, abuse, etc. Water spraying from a leak is capable of injecting material into skin. Inspect hose each time before using it. Check all hoses for cuts, leaks, abrasions or bulging of cover, or damage or movement of couplings. If any of these conditions exist, replace hose immediately. **Never** repair high pressure hose. Replace it with another hose that exceeds maximum pressure rating of your unit.
- The muffler and air cleaner must be installed and in good condition before operating the pressure washer. These components act as spark arresters if the engine backfires.

In the State of California a spark arrester is required by law (Section 4442 of the California Public Resources Code). Other states may have similar laws. Federal laws apply on federal lands.

NOTE: If you equip the muffler with a spark arrester, it must be maintained in effective working order. You can order a spark arrester through your authorized Sears service center.



THIS IS THE SAFETY ALERT SYMBOL. IT IS USED TO ALERT YOU TO POTENTIAL PERSONAL INJURY HAZARDS. OBEY ALL SAFETY MESSAGES THAT FOLLOW THIS SYMBOL TO AVOID POSSIBLE INJURY OR DEATH.

ASSEMBLY

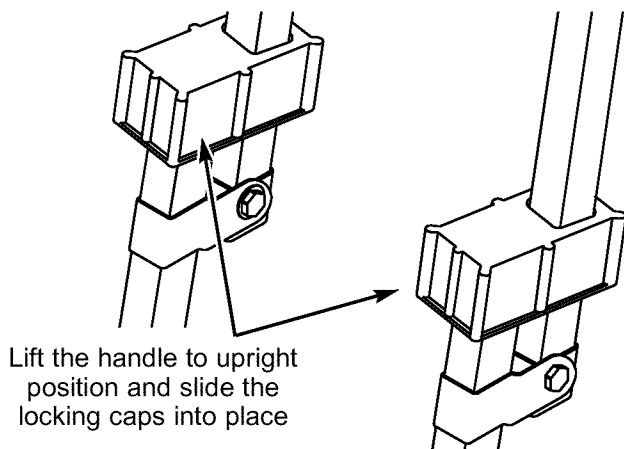
Your pressure washer requires some assembly and is ready for use only after it has been properly serviced with the recommended oil and fuel.

If you have any problems with the assembly of your pressure washer, please call the pressure washer helpline at 1-800-222-3136.

IMPORTANT: Any attempt to run the engine before it has been serviced with the recommended oil will result in an engine failure.

REMOVE PRESSURE WASHER FROM CARTON

- Remove parts box shipped with your pressure washer.
- Slice two corners opposite guide handle end of carton from top to bottom so the panel can be folded down flat.
- Roll the pressure washer out the open end of the carton.
- Raise guide handle, secure in place.



- Check carton for additional loose parts.

CARTON CONTENTS

Check all contents. If any parts are missing or damaged, call the pressure washer helpline at **1-800-222-3136**.

- The main unit
- Parts box (which includes items listed below)
 - Spray gun
 - High pressure hose
 - Nozzle extension with quick connect
 - Quick connect nozzles
 - Engine oil
 - Owner's manual
 - Nozzle cleaning kit
 - O-Ring kit

Become familiar with each piece before assembling the pressure washer. Check all contents against the illustration on page 6. If any parts are missing or damaged, call the pressure washer helpline at **1-800-222-3136**.

ASSEMBLING YOUR PRESSURE WASHER

Your Craftsman high pressure washer was mostly assembled at the factory. However, you will need to perform these tasks before you can operate your pressure washer:

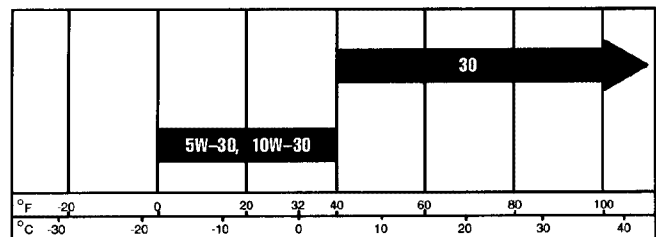
- Add oil to engine crankcase.
- Add fuel to fuel tank.
- Connect pressure hose to spray gun and pump.
- Connect water supply to the pump.

Add Engine Oil

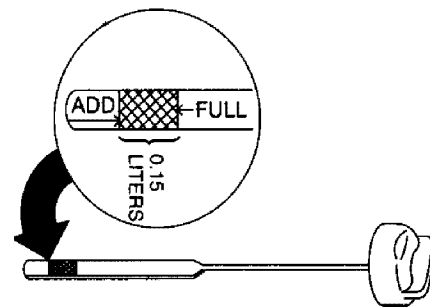
IMPORTANT: Any attempt to crank or start the engine before it has been properly serviced with the recommended oil may result in an engine failure.

NOTE: When adding oil to the engine crankcase, use only high quality detergent oil rated with API service classification SF, SG, or SH rated SAE 30 weight.

Other viscosity oils shown in the chart may be used when the average temperature in your area is within the recommended range.



- Place pressure washer on a level surface.
- Clean area around oil fill and remove oil dipstick.
- Wipe dipstick clean. Pour oil into oil fill opening. Replace and tighten dipstick, remove and check oil level. Oil level should be at "Full" mark on the dipstick. **DO NOT OVERFILL.**



- Install oil dipstick, hand tighten securely.

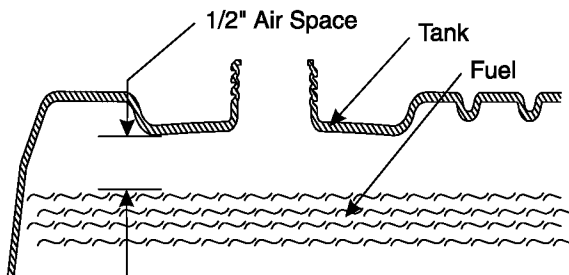
NOTE: Check oil often during engine break-in.

Add Gasoline

! DANGER! Never fill fuel tank indoors. Never fill fuel tank when engine is running or hot. Do Not smoke when filling fuel tank.

! WARNING! Never fill fuel tank completely full. Provide space for fuel expansion. Wipe away any fuel spillage from engine and equipment before starting.

- Use fresh, clean unleaded automotive gasoline and store in approved, clean, covered containers. Use clean fill funnels. **Never** use "stale" gasoline left over from last season or gasoline stored for long periods.
- Clean area around fuel fill cap, remove cap.
- Slowly add "UNLEADED" regular gasoline to fuel tank. Use a funnel to prevent spillage. Fill tank to about 1/2" below the bottom of the filler neck.

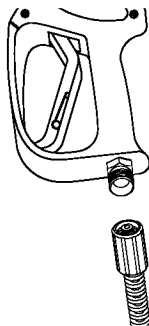


- Install fuel cap and wipe up any spilled gasoline.

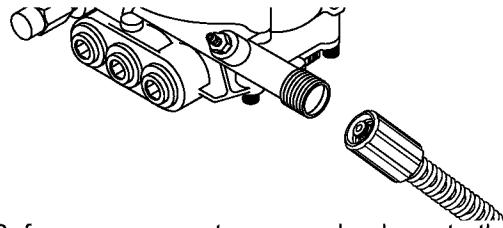
Connect Hose and Water Supply to Pump

IMPORTANT: You must assemble nozzle extension and attach all hoses before you start engine. Starting engine without all hoses connected and water supplied will damage pump.

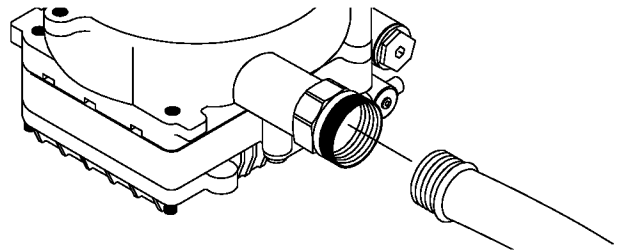
- Uncoil high pressure hose and attach one end of hose to the base of the spray gun. Tighten by hand.



- Attach other end of high pressure hose to the high pressure outlet on the pump. Tighten by hand.



- Before you connect your garden hose to the water inlet, inspect the inlet screen. Clean the screen if it contains debris or have it replaced if damaged. **Do Not run the pressure washer if the inlet screen is damaged.**
- Connect garden hose to water inlet. Tighten by hand.



! WARNING! There MUST be at least ten feet of unrestricted garden hose between the pressure washer inlet and any flow shut off device, such as a 'Y' shut-off connector or other convenience-type water shut-off valve. Damage to pressure washer resulting from disregarding this warning will not be covered by the warranty.

- Turn ON the water (open valve completely).

! CAUTION! Before starting the pressure washer, be sure you are wearing adequate eye protection.

CHECKLIST BEFORE STARTING ENGINE

Review the assembly to ensure you have performed all of the following:

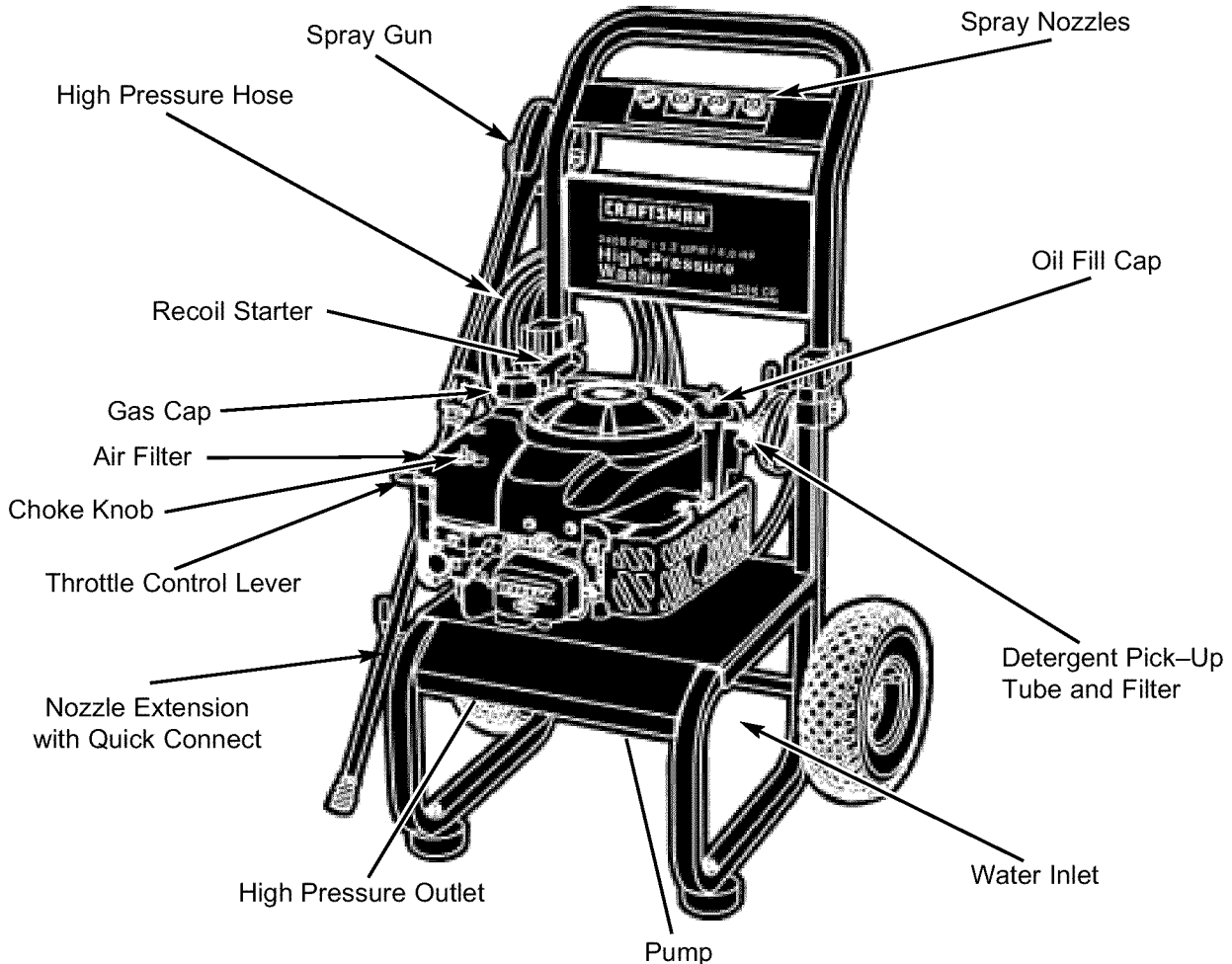
- Check that oil has been added to proper level in engine crankcase before trying to start the pressure washer.
- Add proper gasoline to fuel tank.
- Check for properly tightened hose connections (high pressure and water supply) and for tight connections and that there are no kinks, cuts, or damage to the high pressure hose.
- Provide proper water supply (not to exceed 140°F).
- Be sure to read "Safety Rules" and "Operation" sections before using the pressure washer.

OPERATION

KNOW YOUR PRESSURE WASHER

Read the owner's manual and safety rules before operating your pressure washer.

Compare the illustrations with your pressure washer to familiarize yourself with the locations of various controls and adjustments. Save this manual for future reference.



Air Filter – Dry type filter element limits the amount of dirt and dust that gets in the engine.

Choke Knob - Used to help start a cold engine.

Detergent Pick-Up Tube and Filter – Use to draw detergent from chemical bottle to the low pressure water stream.

Gas Cap – Fill engine with regular unleaded gasoline here.

High Pressure Hose – Connect one end to the spray gun and other end to the high pressure outlet.

High Pressure Outlet – Connection for high pressure hose.

Nozzle Extension with Quick Connect - Allows you to switch between four different spray nozzles.

Oil Fill Cap – Fill engine with oil here. See page 4 for oil recommendations.

Pump – Develops high pressure water .

Recoil Starter – Used for starting the engine manually.

Spray Gun – Controls the application of water onto cleaning surface with trigger device. Includes safety latch.

Spray Nozzles - Chemical injection, 0°, 15°, 40°: for various cleaning applications.

Throttle Control Lever – Sets engine in starting mode for recoil starter and stops running engine.

Water Inlet – Connection for garden hose.

HOW TO USE YOUR PRESSURE WASHER

If you have any problems operating your pressure washer, please call the pressure washer helpline at 1-800-222-3136.

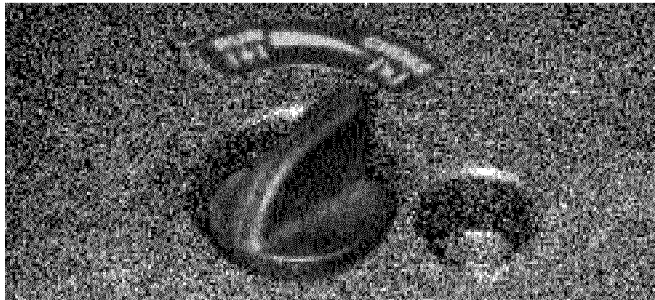
To Start Your Pressure Washer

To start your engine-powered pressure washer for the first time, follow these instructions step-by-step. This starting information also applies whenever you start the engine after you have let the pressure washer sit idle for at least a day.

- Place the pressure washer in an area close enough to an outside water source capable of supplying water at a flow rate greater than 2.2 gallons per minute.
- Check that the high pressure hose is tightly connected to the spray gun and to the pump. See "Assembling Your Pressure Washer" for illustrations.
- Make sure unit is in a level position.
- Connect the garden hose to the water inlet on the pressure washer pump. **Turn ON the water.**

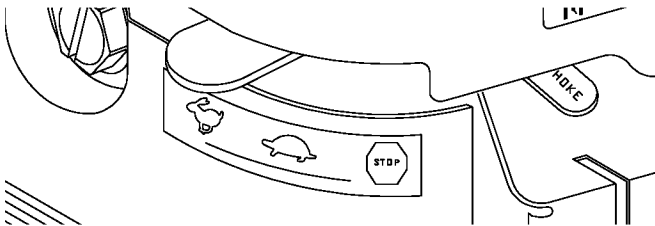
CAUTION: Do Not run the pump without the water supply connected and turned on. You must follow this caution or the pump will be damaged.

- Rotate the choke knob to the "Choke" position.

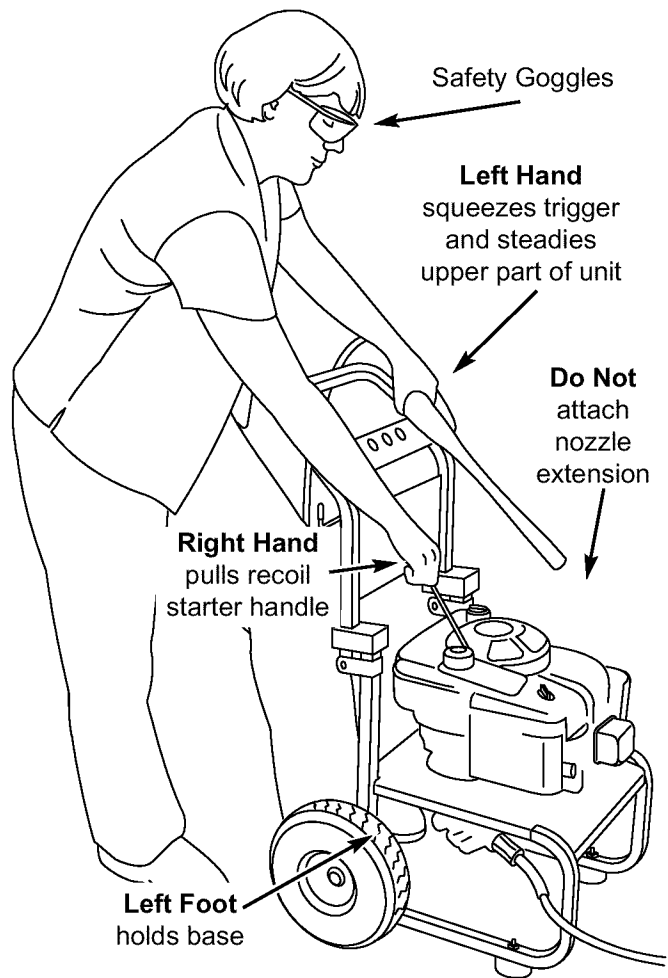


NOTE: For a warm engine, be sure the choke knob is in the "Run" position.

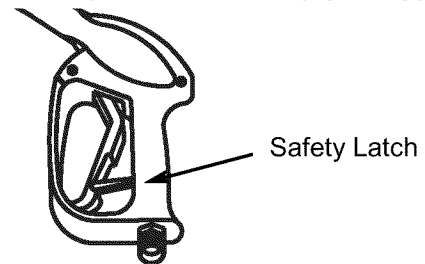
- Move the throttle lever to "Fast" position, shown on unit as a rabbit.



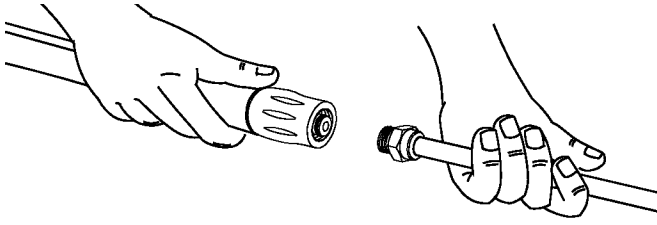
- As shown at the right, ensure the nozzle extension is NOT attached to the spray gun.



- Place your left foot on the unit's lower frame.
- Grasp the spray gun with your left hand and squeeze the trigger on the spray gun. Water will flow out of the spray gun in a thin stream. Continue to squeeze the trigger. Your left hand will also serve to steady the unit.
- Grasp the recoil starter handle with your right hand, as shown. Pull the starter handle lightly until you feel some resistance, then pull briskly. Return the starter grip handle slowly. **Do Not** let rope "snap back" against starter.
- When engine starts, release the spray gun trigger and slowly rotate choke knob to the "Run" position as engine warms and runs smoothly.
- Engage the safety latch to the spray gun trigger.



- Attach the nozzle extension and tighten by hand.



- Choose the nozzle you want to use and insert it into the nozzle extension. See “How to Use the Nozzles” below.

How to Stop Your Pressure Washer

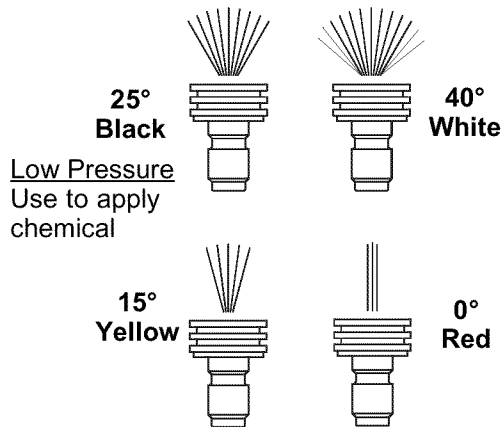
- Move throttle lever on engine to “**Stop**” position.
- **Squeeze trigger on the spray gun to relieve pressure in the hose.**

NOTE: A small amount of water will squirt out when you release the pressure.

How to Use the Nozzles

! DANGER! Never exchange nozzles without locking the safety latch on the trigger.

The quick-connect on the nozzle extension allows you to switch between four different nozzles. The nozzles vary the spray pattern as shown here.



To change nozzles:

- Engage the safety latch on the spray gun.
- Pull back the collar on the quick-connect and pull the current nozzle off. Store the nozzle in the space provided on the control panel.

NOTE: For a more gentle rinse, select white 40° nozzle. To scour the surface, select yellow 15° or red 0° nozzle. To apply chemical, select black low pressure nozzle.

- Pull back on the collar, insert the new nozzle and release the collar. Pull on the nozzle to make sure it is securely in place.
- For most effective cleaning, keep the spray nozzle between 8 to 24 inches away from the cleaning surface. If you get the spray nozzle too close, you may damage the cleaning surface.

Cleaning and Applying Chemical

! WARNING! You must attach all hoses before you start the engine. Starting the engine without all the hoses connected and without the water turned ON will damage the pump.

IMPORTANT: Use soaps designed specifically for pressure washers. Household detergents could damage the pump.

To apply detergent follow these steps:

- Review the use of the nozzles.
- Prepare the detergent solution as required by the manufacturer.
- Hang the detergent solution container on the hook at the rear of the pressure washer.
- Place the small filter of the chemical injection tube into the detergent container.

! CAUTION! Keep the chemical injection tube from coming in contact with the hot muffler. This will damage the chemical injection tube. When inserting the filter into a chemical bottle, route the tube so as to keep it from inadvertently contacting the hot muffler.

- Make sure the black nozzle is installed on the nozzle extension.

NOTE: Detergent cannot be applied with the high pressure nozzles (White, Yellow, or Red).

- Make sure the garden hose is connected to the water inlet. Check that high pressure hose is connected to spray gun and pump, then start engine.
- Apply the detergent to a dry surface, starting at lower portion of area to be washed and work upward, using long, even, overlapping strokes. **Do Not** allow the detergent to dry on. Allowing detergent to dry on surface may cause streaking.
- Allow the detergent to soak between 3–5 minutes before washing and rinsing. Reapply as needed to prevent surface from drying.

Pressure Washer Rinsing

! WARNING! Be extremely careful if you must use the pressure washer from a ladder, scaffolding or any other relatively unstable location. Pressure in a running washer builds as you climb. When you press the trigger, the recoil from the initial spray could cause you to fall. The high pressure spray could also cause you to fall if you are too close to the cleaning surface.

After you have applied detergent, scour the surface and rinse it clean as follows:

- Apply safety latch to spray gun.

- Remove the black chemical nozzle from the nozzle extension.
- Select and install the desired high pressure nozzle following the instructions “How to Use the Nozzles”.
- Keep the spray gun a safe distance from the area you plan to spray.
- Apply a high pressure spray to an small area and then check the surface for damage. If no damage is found, you can assume it is okay to continue cleaning.
- Start at the top of the area to be rinsed, working down with same overlapping strokes used for cleaning.
- The use of a brush may be helpful on some hard to clean surfaces.

Automatic Cool Down System (Thermal Relief)

If you run the engine on your pressure washer for 3-5 minutes without pressing the trigger on the spray gun, circulating water in the pump can reach a temperature between 140–145°F. When the water reaches this temperature, the automatic cool down system engages and cools the pump by discharging the warm water onto the ground. This system prevents internal damage to the pump. Once the pump has cooled, it will stop discharging.

NOTE: This is not a leak. **Do Not** return the pressure washer to the store.

MAINTENANCE

OWNER’S RESPONSIBILITIES

Follow the hourly or calendar intervals, whichever occurs first.
More frequent service is required when operating in adverse conditions noted below.

MAINTENANCE SCHEDULE FILL IN DATES AS YOU COMPLETE REGULAR SERVICE MAINTENANCE TASK	HOURLY OPERATING INTERVAL			SERVICE DATES			
	Before Each Use	Every 50 Hours or Yearly	Every 100 Hours or Yearly				
PRESSURE WASHER							
Check/clean water inlet screen on quick-connect.	X†						
Check high pressure hose.	X						
Check detergent hose.	X						
Check spray gun and assembly for leaks.	X						
Purge pump of air and contaminants.	X						
ENGINE							
Check oil level.	X						
Change engine oil.		X*					
Service air cleaner.			X**				
Service spark plug.			X				
Service spark arrester		X					
Prepare for storage.	Prepare unit for storage if it is to remain idle for longer than 30 days.						

† Clean if clogged. Replace if perforated or torn.
 * Change oil after the first (5) operating hours and every 50 hours or every year, whichever occurs first,thereafter. Change sooner when operating under dirty or dusty conditions.
 ** Replace more often under dirty or dusty conditions.

PRODUCT SPECIFICATIONS

Pressure Washer Specifications

Pressure	2,400 PSI
Flow Rate	2.2 GPM
Chemical Mix	Use as directed
Water Supply Temperature	Not to Exceed 140°F

Engine Specifications

Rated Horsepower	6.0 HP
Spark Plug Type:	Champion RJ19LM or Equivalent
Set Gap To:	0.030 inches (0.760mm)
Gasoline Capacity	1.6 Quarts
Oil Above 40°F	SAE 30
0°F - 40°F	SAE 5W-30 or 10W-30

GENERAL RECOMMENDATIONS

The pressure washer's warranty does not cover items that have been subjected to operator abuse or negligence. To receive full value from the warranty, the operator must maintain pressure washer as instructed in this manual.

Some adjustments will need to be made periodically to properly maintain your pressure washer.

All service and adjustments should be made at least once each season. Follow the requirements in the "Maintenance Schedule" chart above.

NOTE: Once a year you should clean or replace the spark plug and replace the air filter. A new spark plug and clean air filter assure proper fuel-air mixture and help your engine run better and last longer.

BEFORE EACH USE

- Check engine oil level.
- Check water inlet screen for damage.
- Check high pressure hose for leaks.
- Check chemical filters for damage.
- Check spray gun and nozzle extension assembly for leaks.
- Purge pump of air and contaminants.

PRESSURE WASHER MAINTENANCE

Check and Clean Inlet Screen

Examine garden hose inlet screen. Clean if it is clogged or replace if it is torn.

Check High Pressure Hose

High pressure hoses can develop leaks from wear, kinking, or abuse. Inspect hose before each use. Check for cuts, leaks, abrasions, bulging of cover, or damage or movement of couplings. If any of these conditions exist, replace hose immediately.



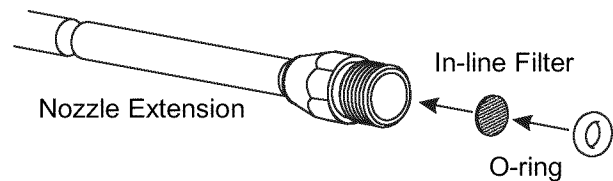
DANGER: Never repair a high pressure hose. Replace with hose that exceeds the maximum pressure rating of your pressure washer.

Check Gun and Nozzle Extension

Examine hose connection to spray gun and make sure it is secure. Test trigger by pressing it and making sure it springs back into place when you release it. Put safety latch in UP position and test trigger. You should not be able to press trigger. Replace spray gun immediately if it fails any of these tests.

Check In-Line Filter

Refer to the illustration and service the in-line filter if it becomes clogged, as follows:



1. Detach spray gun from high pressure hose. Detach nozzle extension from spray gun and remove o-ring and screen from nozzle extension. Flush the screen, spray gun, and nozzle extension with clean water to clear debris.
2. If the screen is damaged, the o-ring kit contains a replacement in-line filter screen and an o-ring. If undamaged, reuse screen.
3. Place the in-line filter screen into the threaded end of the nozzle extension. Direction does not matter. Push the screen in with the eraser end of a pencil until it rests flat at the bottom of the opening. Take care to not bend the screen.
4. Place the o-ring into the recess. Push the o-ring snugly against the in-line filter screen.
5. Assemble the nozzle extension to the spray gun, as described earlier in this manual.

Purge Pump of Air and Contaminants

To remove air from the pump, follow these steps:

- Set up the pressure washer as described in the ASSEMBLY section and connect the water supply.
- Pull the trigger on the spray gun and hold until a steady stream of water appears.

To remove contaminants from the pump, follow these steps:

- Set up the pressure washer as described in the ASSEMBLY section, and connect the water supply.
- Remove the nozzle extension from the spray gun.
- Start the engine according to instructions in OPERATION section.
- Disengage the safety latch and pull the trigger on the spray gun and hold.

- When the water supply is steady and constant, engage the safety latch and refasten the nozzle extension.

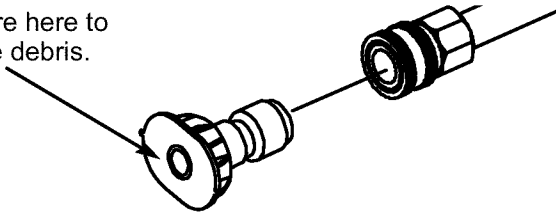
Nozzle Maintenance

If a nozzle becomes restricted or clogged with dirt or foreign materials, a pulsing sensation during use may occur. This is caused by excessive pump pressure.

Immediately clean a clogged or partially restricted nozzle with the kit included with your pressure washer by following these instructions:

- Shut off the engine and turn off the water supply.
- Disengage the safety latch and pull the trigger on the spray gun and hold until all water is purged from the unit. Engage the safety latch on the spray gun.
- Remove the nozzle from the end of the nozzle extension.
- Use the wire included in the kit or a small paper clip to free the foreign materials clogging or restricting the nozzle.

Use wire here to remove debris.



- Remove additional debris by rinsing out the nozzle. Rinse between 30 to 60 seconds.
- Reinstall the nozzle into the nozzle extension.
- Reconnect the water supply, turn on the water, and start the engine.
- Disengage safety latch on the spray gun.
- Test the pressure washer.

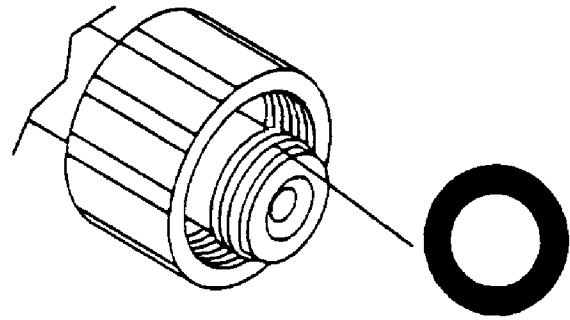
O-Ring Maintenance

Through the normal operation of your pressure washer, o-rings keep the connections of the hoses and spray gun tight and leak-free. They may become worn or damaged with use.

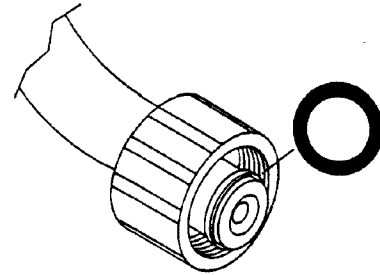
Provided with your pressure washer is an O-Ring Maintenance Kit which includes replacement o-rings, rubber washer and water inlet filter. Refer to the instruction sheet provided in the kit to service your unit's o-rings. Note that not all of the parts in the kit will be used on your unit.

Parts in the O-Ring Kit Include:

- 1 o-ring, red, (p/n B2726) for the end of the spray gun connection between spray gun and nozzle extension.

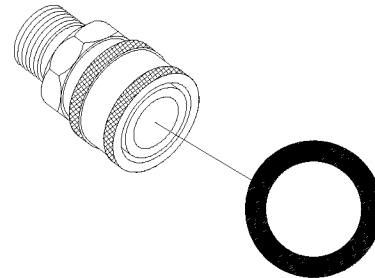


- 1 o-ring, yellow, (p/n B2264) for the end of the high pressure hose.

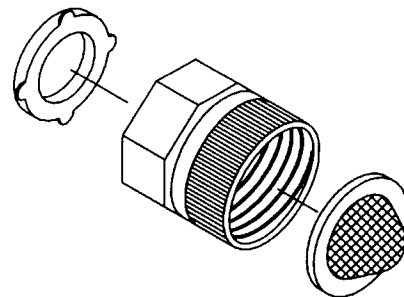


NOTE: The previous two o-rings are close in size. Please match carefully to assure proper o-ring usage.

- 1 o-ring, blue, (p/n B3065) for the inside of the nozzle extension quick connect.



- 1 rubber washer, (p/n B2385) for the inside of the garden hose connector.



- 1 water inlet screen (p/n B2384) for the garden hose connector.

To remove a worn or damaged O-Ring:

- Use a small flathead screwdriver to get underneath the o-ring to gently pry it off.

ENGINE MAINTENANCE

Checking Oil Level

Oil level should be checked prior to each use or at least every 5 hours of operation. Keep oil level maintained.

Changing Oil

Change engine oil after the first 5 hours and every 50 hours or annually thereafter. If you are using your pressure washer under extremely dirty or dusty conditions, or in extremely hot weather, change oil every 25 hours.

Change oil while engine is still warm from running, as follows:

- Remove drain plug from the bottom of engine.
- Drain oil into a suitable container. When crankcase is empty, replace drain plug in engine.
- Slowly pour oil into oil fill opening. Replace and tighten dipstick, remove and check oil level. Oil level should be at “Full” mark on dipstick. **Do Not** overfill above that mark.
- When engine crankcase is filled to proper level, install and tighten oil cap/dipstick.
- Wipe up any remaining oil.

Service Air Cleaner

Your engine will not run properly and may be damaged if you run it with a dirty air cleaner.


Service the air cleaner once every 100 hours of operation or once each year, whichever comes first. Service more often if operating under dirty or dusty conditions. Replacements are available at your local Sears service center.

To service the air cleaner, follow these steps:

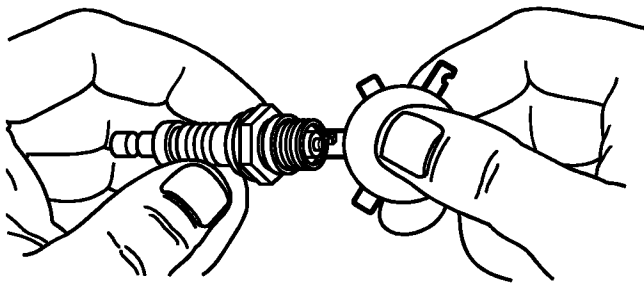
- Remove screws and lift cover.
- Carefully remove pre-cleaner and cartridge assembly.
- After servicing pre-cleaner and cartridge, assemble pre-cleaner on cartridge.
- Install pre-cleaner/cartridge in base.
- Place cover on air cleaner and tighten screws securely to base.

Replace Spark Plug

Replace the spark plug yearly or every 100 hours of operation.

 **CAUTION:** Disconnect spark plug wire from spark plug and keep wire away from spark plug.

- Clean area around spark plug and remove.
- For replacement use Champion RJ19LM or equivalent.
- Check electrode gap with wire feeler gauge and set gap at 0.030 inches (0.76mm), if necessary.



- Install spark plug, tighten securely.

Carburetor

If you think your carburetor needs adjusting, see your nearest Sears service center. Engine performance may be affected at altitudes above 4000 feet. For operation at higher elevations, contact your nearest Sears service center.

Spark Arrester Service

Your engine is not factory-equipped with a spark arrester. In some areas, it is illegal to operate an engine without a spark arrester. Check local laws and regulations. A spark arrester is available from your nearest Sears service center. For the part number call **1-800-366-PART**.

The spark arrester must be serviced every 50 hours to keep it functioning as designed.

If the engine has been running, the muffler will be very hot. Allow the muffler to cool before servicing the spark arrester.

- Remove spark arrester screen for cleaning and inspection.
- Replace if screen is damaged.

STORAGE

AFTER EACH USE

Water should not remain in the unit for long periods of time. Sediments or minerals can deposit on pump parts and “freeze” pump action. Follow these procedures after every use:

- Flush detergent siphoning tube by placing the filter into a pail of clean water while running pressure washer in low pressure mode. Flush for one to two minutes.
- Shut off the engine and let it cool, then remove all hoses.
- Disconnect spark plug wire from spark plug.
- Empty the pump of all liquids by pulling recoil handle about 3 times. This should remove most of the liquid in the pump.
- Coil the high pressure hose and inspect it for damage. Cuts in the hose or fraying could result in leaks and loss of pressure. Should any damage be found, replace the hose. **Do Not** attempt to repair a damaged hose. Replace the hose with the genuine Craftsman part.
- Drain water from hose and properly hang it on the wire support provided.
- Reconnect spark plug wire to spark plug.
- Store unit in a clean, dry area.



DANGER: Never store the engine with fuel in the gas tank indoors or in enclosed, poorly ventilated areas where fumes may reach an open flame, a spark, or pilot light.

WINTER STORAGE



CAUTION: You must protect your unit from freezing temperatures. Failure to do so will permanently damage your pump and render your unit inoperable.

To protect the unit from freezing temperatures:

- Flush detergent siphoning tube by placing the filter into a pail of clean water while running pressure washer in low pressure mode. Flush for one to two minutes.
- Disconnect hose connected to chemical inject fitting on the pump.
- Empty the pump of all pumped liquids by pulling recoil handle about 3 times. This should remove most of the liquid in the pump.

- Connect a 3-foot section of garden hose to the water inlet adapter. Pour RV-antifreeze (antifreeze without alcohol) into the hose. Pull the recoil handle twice. Disconnect 3-foot hose.
- Properly dispose of leftover antifreeze.

LONG TERM STORAGE

If you do not plan to use the pressure washer for more than 30 days, you must prepare the engine for long term storage.

It is important to prevent gum deposits from forming in essential fuel system parts such as the carburetor, fuel filter, fuel hose or tank during storage. Also, experience indicates that alcohol-blended fuels (called gasohol, ethanol or methanol) can attract moisture, which leads to separation and formation of acids during storage. Acidic gas can damage the fuel system of an engine while in storage.

Protect Fuel System

Fuel Additive:

If adding a fuel additive, fill the fuel tank with fresh gasoline. If only partially filled, air in the tank will promote fuel deterioration during storage. Engine and fuel can be stored up to 24 months with additive.

- Add fuel additive following manufacturer's instructions.
- Make sure you have water supply to pump inlet connected and turned ON.
- Run the engine outdoors for 10 minutes to be sure that treated gasoline has replaced the untreated gasoline in the carburetor.

If fuel additive is not used, remove all fuel from tank and run engine until it stops from lack of fuel.

Change Oil

While engine is still warm, not hot, drain oil from crankcase. Refill with recommended grade. See “Changing Oil” section.

Oil Cylinder Bore

- Remove spark plug. Squirt about 1/2 ounce of clean engine oil into the cylinder. Cover spark plug hole with rag. Pull recoil handle slowly to distribute oil. Avoid spray from spark plug hole.
- Install spark plug. **Do Not** connect spark plug wire.

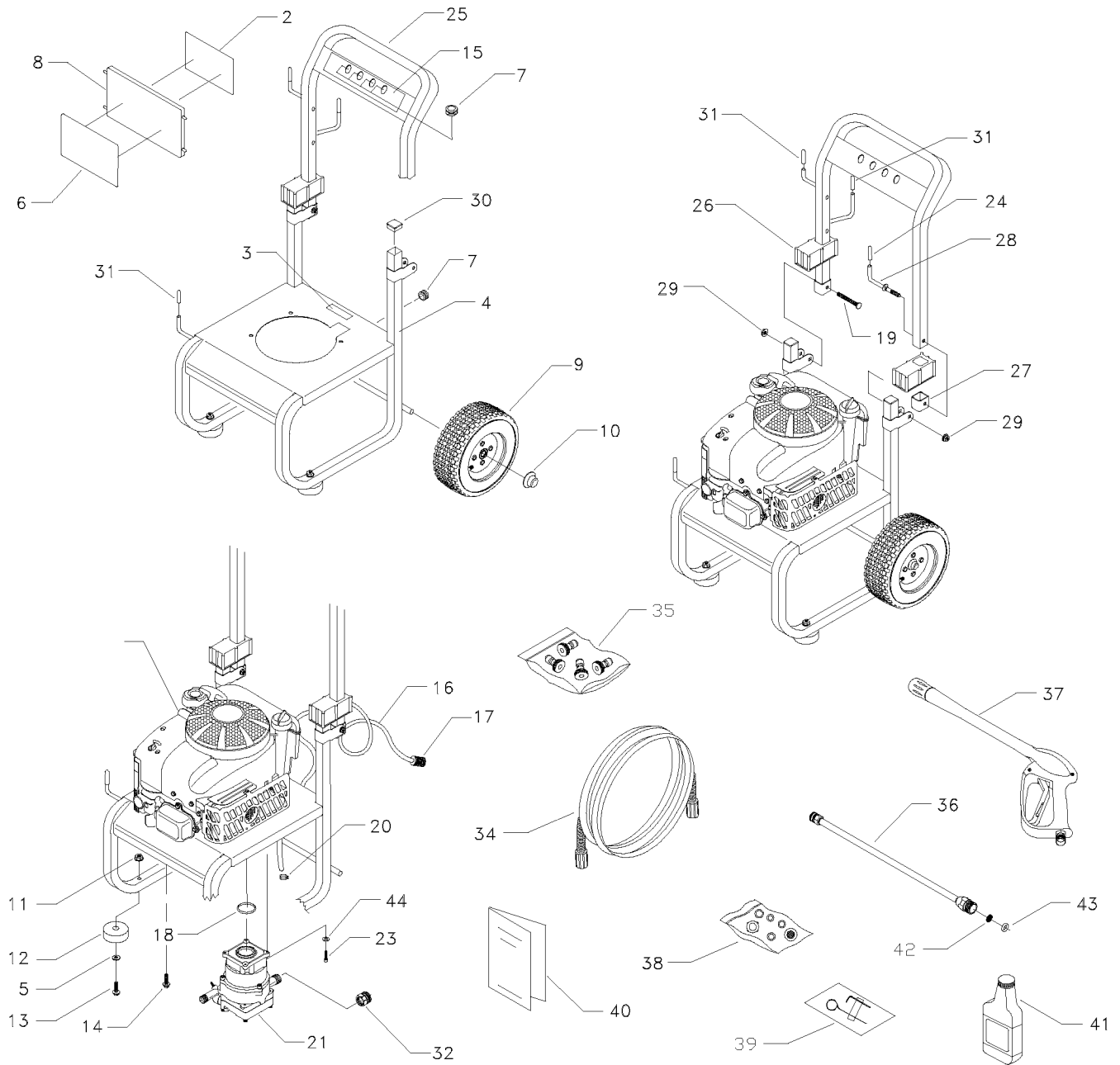
IMPORTANT: Never cover your pressure washer while engine and exhaust area are warm.

TROUBLESHOOTING

Problem	Cause	Correction
Pump has following problems: failure to produce pressure, erratic pressure, chattering, loss of pressure, low water volume.	<ol style="list-style-type: none"> 1. Low pressure nozzle (black) is being used. 2. Water inlet is blocked. 3. Inadequate water supply. 4. Inlet hose is kinked or leaking. 5. Clogged inlet hose strainer. 6. Water supply is over 140°F. 7. High pressure hose is blocked or leaks. 8. Gun leaks. 9. Nozzle is obstructed. 10. Pump is faulty. 	<ol style="list-style-type: none"> 1. Replace with any of the three high pressure nozzles. 2. Clear inlet. 3. Provide adequate water flow. 4. Replace hose. 5. Check and clean inlet hose strainer. 6. Provide cooler water supply. 7. Clear blocks in outlet hose. 8. Replace gun. 9. Clean nozzle. 10. Contact Sears service facility.
Detergent fails to mix with spray.	<ol style="list-style-type: none"> 1. Detergent siphoning tube is not submerged. 2. Chemical filter is clogged. 3. A high pressure nozzle is being used. 	<ol style="list-style-type: none"> 1. Insert detergent siphoning tube into detergent. 2. Clean or replace filter/detergent siphoning tube. 3. Replace with low pressure (black) nozzle.
Engine runs good at no-load but “bogs” when load is added.	Engine speed is too slow.	Move throttle control to FAST position. If engine still “bogs down”, contact Sears service facility.
Engine will not start; or starts and runs rough.	<ol style="list-style-type: none"> 1. Dirty air cleaner. 2. Out of gasoline. 3. Stale gasoline. 4. Spark plug wire not connected to spark plug. 5. Bad spark plug. 6. Water in gasoline. 7. Overchoking. 8. White smoke from exhaust. 9. Intake valve stuck open or closed. 10. Engine has lost compression. 	<ol style="list-style-type: none"> 1. Clean or replace air cleaner. 2. Fill fuel tank. 3. Drain gas tank; fill with fresh fuel. 4. Connect wire to spark plug. 5. Replace spark plug. 6. Drain gas tank; fill with fresh fuel. 7. Open choke fully and crank engine. 8. Contact Sears service facility. 9. Contact Sears service facility. 10. Contact Sears service facility.
Engine shuts down during operation.	Out of gasoline.	Fill fuel tank.
Engine lacks power.	Dirty air filter.	Replace air filter.
Engine “hunts” or falters.	Choke is opened too soon.	Move choke to halfway position until engine runs smoothly.

PARTS

CRAFTSMAN 2,400 PSI Pressure Washer 580.768330 Main Unit — Exploded View



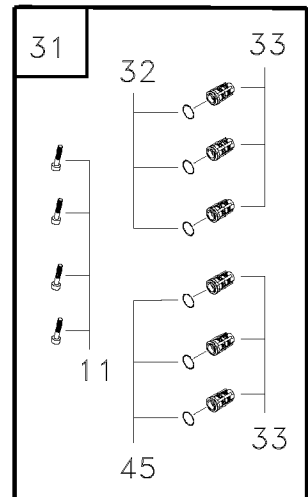
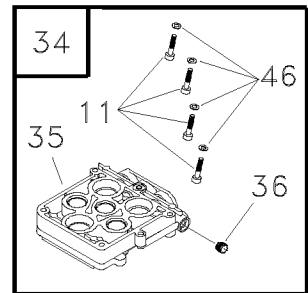
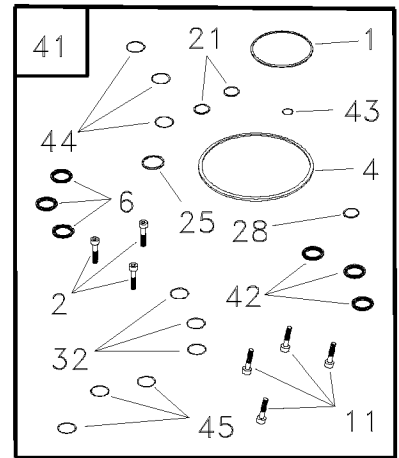
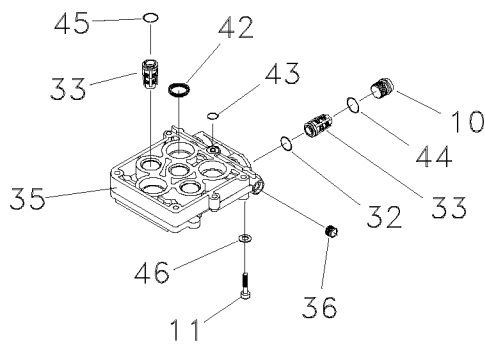
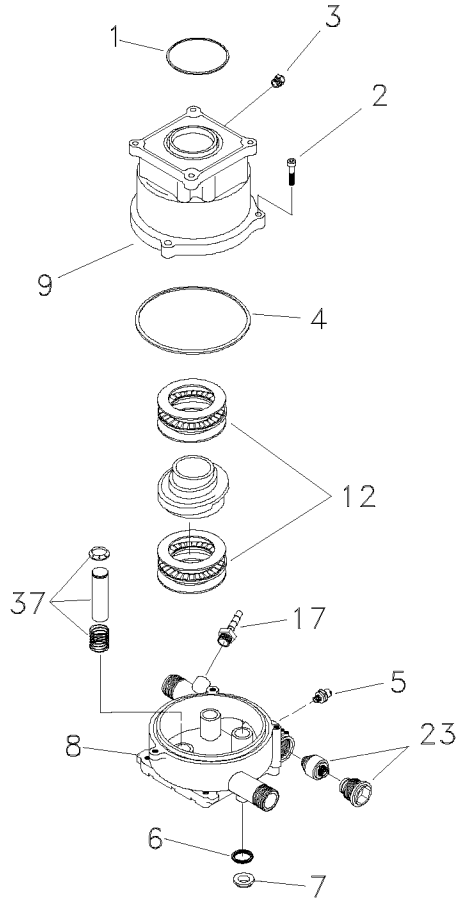
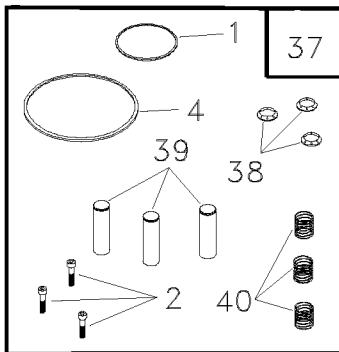
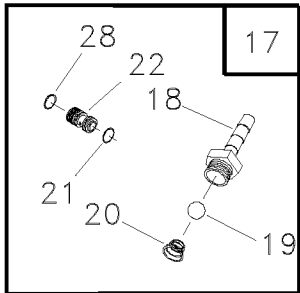
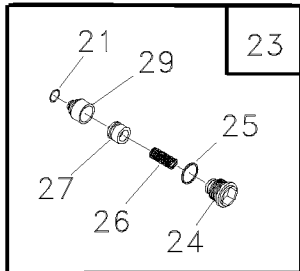
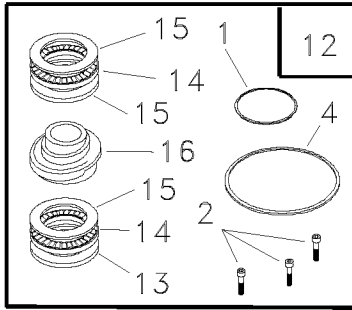
CRAFTSMAN 2,400 PSI Pressure Washer 580.768330

Main Unit — Parts List

Item	Part #	Qty.	Description
2	B1932	1	DECAL, Instructions
3	96307	1	DECAL, 1-800 Number
4	EB5654	1	BASE, Polo Green Powder Coated
5	50190	2	WASHER, .34" x 1" Flat
6	B5670	1	DECAL, Unit 1433-0
7	30809	5	GROMMET, Rubber
8	B1631B	1	BILLBOARD
9	B4966	2	TIRE, Metal Hub 10"
10	75402C	2	PUSHNUT, 5/8"
11	52858	2	NUT, M8 Locking Flange
12	27007	2	MOUNT, Vibration
13	39288	2	HHCS, M8 - 1.25 x 55
14	75246	3	TAPTITE, 3/8" - 16 x 1-1/4"
15	B4163	1	DECAL, 4 QD Nozzles
16	A1040B	1	HOSE, Chemical
17	A1041	1	FILTER, Chemical Hose
18	B2218	1	SEAL, Engine Donut
19	31669	1	CARRIAGE BOLT, 1/4"-20 x 1 3/4"
20	48031G	1	CLAMP, Hose 3/8"
21	NSP	1	PUMP (See pages 18 & 19)
23	23707	4	SHCS, 5/16" - 24 x 1"
24	B1460	1	CAP, Vinyl
25	EB5676	1	HANDLE, Polo Green Powder Coated
26	B1779	2	COVER, Hinge
27	B2347	2	CAP, End
28	B2759	1	HOOK, Chemical Bottle
29	B2071	2	NUT, 1/4"-20 Locking Flange
30	46476	2	CAP, Plug
31	B2516	3	CAP, Vinyl
32	21424	1	CONNECTOR, Garden Hose
34	B5689	1	HOSE, 1/4" x 30'
35	B5646	1	KIT, Quick Connect
36	B3858	1	WAND, Extension
37	B3263	1	GUN, High Pressure
38	B5830	1	KIT, Maintenance
39	B2509	1	KIT, Nozzle, Cleaning
40	B5658	1	MANUAL
41	AB3061B	1	OIL, Engine
42	B4224	1	SCREEN, Gun Inlet
43	97837	1	O-RING, Hi Pressure Trns.
44	92479	4	WASHER, M8 Conical Ribbed
900	NSP	1	ENGINE, B & S, 6HP Intek

PARTS

CRAFTSMAN 2,400 PSI Pressure Washer 580.768330 Pump — Exploded View

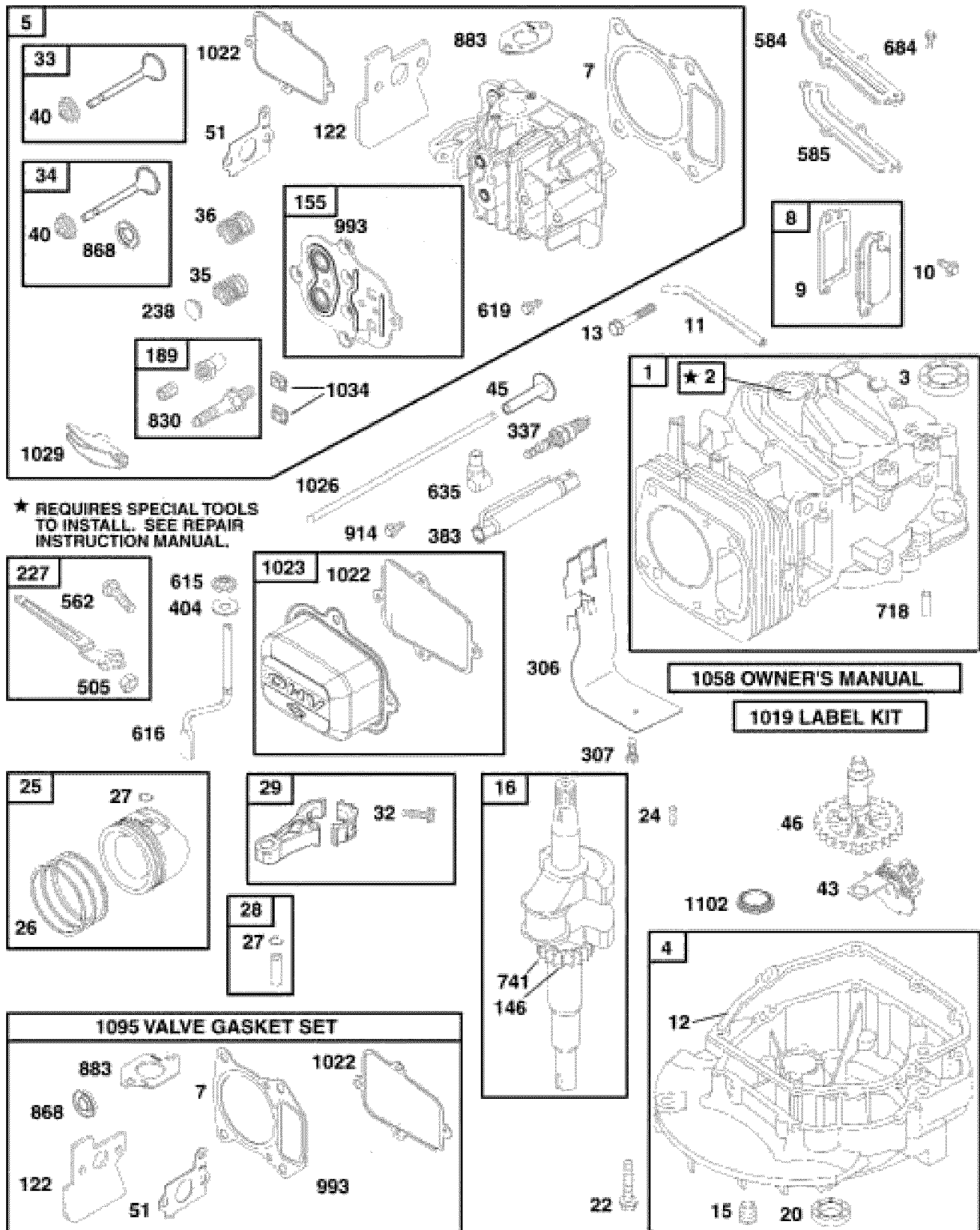


**CRAFTSMAN 2,400 PSI Pressure Washer 580.768330
Pump — Parts List**

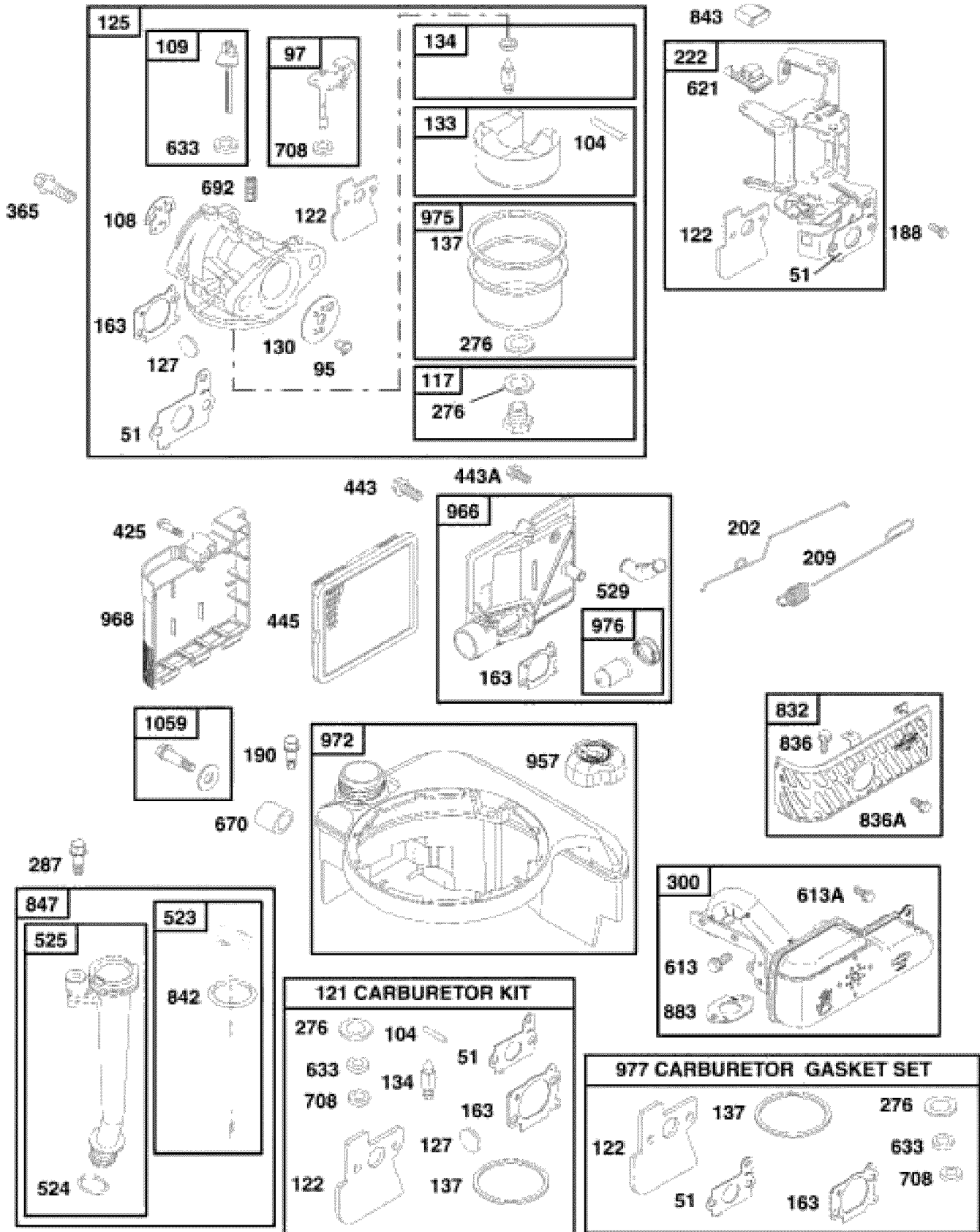
Item	Part #	Qty	Description	Item	Part #	Qty	Description
1	B2218	1	O-RING, 1.625 ID x .103	31	185712	0	KIT, CHECK VALVES
2	97962	3	SHCS, M6 - 1 x 25	11	4	SHCS, M6-1.0 x 35
3	B5710	1	VALVE, 1/8 npt 1-5 PSI	32	3	O-RING, Check Valve
4	97835	1	O-RING, Housing Seal	33	6	ASSY., Check Valve
5	21783	1	THERMAL RELIEF, GPW-EG	45	3	O-RING, Check Valve, White
6	93680	3	SEAL, Oil Piston	34	185531	0	KIT, HEAD BRASS EG
7	97831	3	SPACER, Pilot	11	4	SHCS, M6-1.0 x 35
8	B2702	1	HOUSING, Piston	35	1	HEAD, Pump
9	B4813	1	ADAPTER, Engine	36	1	PLUG, 1/8-28
10	97841	3	CAP, Outlet Check Valve	46	4	WASHER, M6 Flat
11	40946	4	SHCS, M6-1.0 x 35	37	185713	0	KIT, PISTON & SPRING
12	185710	0	KIT, AXIAL CAM	1	1	O-RING, Engine Seal
1	1	O-RING, Engine Seal	2	3	SHCS, M6 - 1 x 25
2	3	SHCS, M6 - 1 x 25	4	1	O-RING, Housing Seal
4	1	O-RING, Housing Seal	38	3	RETAINER, Piston Spring
13	1	WASHER, Brg. 36 x 65 x 6Thk	39	3	PISTON, Dia. 15 x 65 Lg
14	2	ASSY., Brg. Cage 45 x 65	40	3	SPRING, Piston Return
15	3	WASHER, Brg. 45 x 65 x 1	41	185714	0	KIT, O-RING/SEAL 2300
16	1	CAM, Axial 5.6 7/8"SAE	1	1	O-RING, Engine Seal
17	185287	0	KIT, CHEM INJECT	2	3	SHCS, M6 - 1 x 25
18	1	FITTING, Chem Inject	4	1	O-RING, Housing Seal
19	1	BALL, Chem Inject	6	3	SEAL, Oil Piston
20	1	SPRING, Chem Inject	11	4	SHCS, M6-1.0 x 35
21	1	O-RING, Venturi & Seat, Black	21	2	O-RING, Venturi & Seat, Black
22	1	VENTURI, Chem Inject	25	1	O-RING, Unloader Cap
28	1	O-RING, Venturi, Yellow	28	1	O-RING, Venturi, Yellow
23	185711	0	KIT, UNLOADER 2300	32	3	O-RING, Check Valve
21	1	O-RING, Venturi & Seat, Black	42	3	SEAL, Double-Lip
24	1	CAP, Unloader	43	1	O-RING, High Pressure Transfer
25	1	O-RING, Unloader Cap	44	3	O-RING, Outlet CV Cap
26	1	SPRING, Unloader	45	3	O-RING, Check Valve, White
27	1	PISTON, Unloader				
29	1	SEAT, Unloader				

Item numbers 12, 17, 23, 31, 34, 37, and 41 are service kits and include all parts shown within the box. Certain parts may only be available as components of a kit.

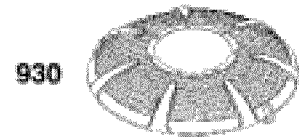
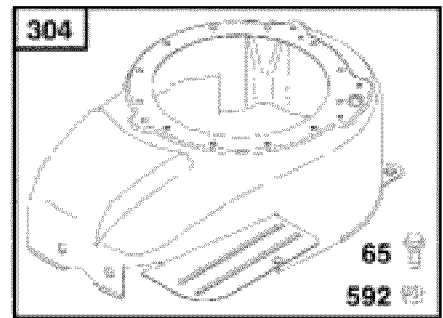
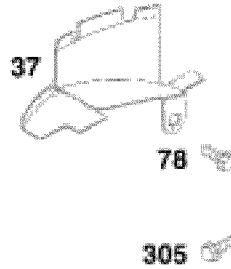
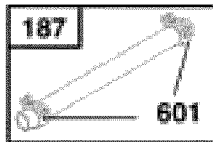
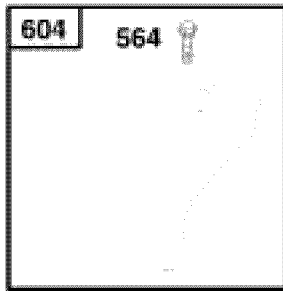
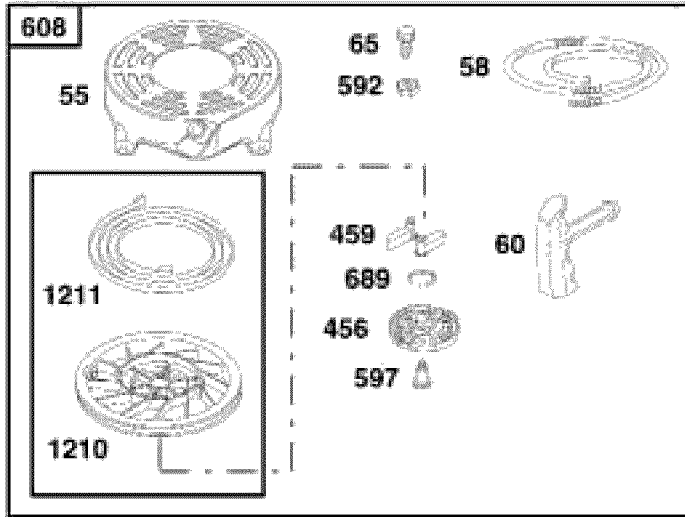
ENGINE, 6.0 HP, Briggs and Stratton, 120612 – Exploded View



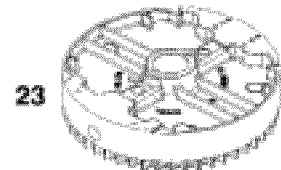
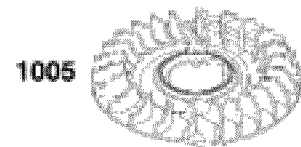
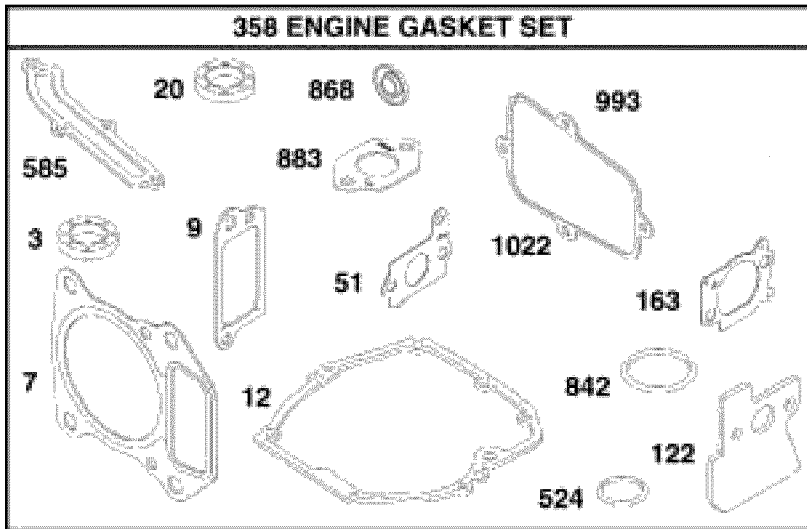
ENGINE, 6.0 HP, Briggs and Stratton, 120612 – Exploded View



ENGINE, 6.0 HP, Briggs and Stratton, 120612 – Exploded View



1036 EMISSIONS LABEL



ENGINE, 6.0 HP, Briggs and Stratton, 120612 – Parts List

Item	Part #	Description	Item	Part #	Description
1	692670	Cylinder Assembly	334	691061	Screw (Magneto Armature)
2	399269	Bushing/Seal Kit (Magneto Side)	337	692051	Sparkplug
3	299819	Oil Seal	356	692390	Wire-Stop
4	498983	Engine Sump	358	695189	Engine Gasket Set
5	694328	Cylinder Head	363	19069	Flywheel Puller
7	695166	Cylinder Head Gasket	365	691136	Screw (Carburetor)
8	495786	Breather Assembly	383	19374	Wrench-Sparkplug
9	272481	Breather Gasket	404	690272	Washer (Governor Crank)
10	691125	Screw (Breather Assembly)	425	690670	Screw (Air Cleaner Cover)
11	691260	Breather Tube	443	692523	Screw (Air Cleaner Primer Base)
12	692232	Crankcase Gasket	443A	691637	Screw (Air Cleaner Primer Base)
13	691137	Screw (Cylinder Head)	445	491588	Filter- Air Cleaner Cartridge
15	691680	Oil Drain Plug	455	691219	Cup-Flywheel
16	691457	Crankshaft	456	281503	Retainer-Spring
20	399781	Oil Seal (PTO Side)	459	281505	Plate-Pawl Friction
22	691092	Screw (Engine Sump)	472	693809	Choke Shaft Knob
23	692693	Flywheel	505	231082	Nut (Governor Control Lever)
24	222698	Flywheel Key	523	499621	Dipstick
25	690021	Piston Assembly (Standard)	524	280966	Dipstick Tube Seal
25	694167	Piston Assembly (.010 O.S.)	525	495265	Dipstick Tube
25	694168	Piston Assembly (.020 O.S.)	529	691923	Grommet
25	694169	Piston Assembly (.030 O.S.)	562	94852	Bolt (Governor Control Lever)
26	499631	Ring Set (Standard)	564	693808	Screw (Control Cover)
26	692785	Ring Set (.010 O.S.)	584	692342	Breather Passage Cover
26	692786	Ring Set (.020 O.S.)	585	691879	Breather Passage Gasket
26	692787	Ring Set (.030 O.S.)	592	690800	Nut (Rewind Starter)
27	691866	Piston Pin Lock	597	690297	Screw (Pawl Friction Plate)
28	499423	Piston Pin	601	95162	Clamp-Hose
29	499424	Connecting Rod	604	693807	Cover-Control
32	691664	Screw (Connecting Rod)	608	497680	Starter-Rewind
33	499642	Exhaust Valve	613	691108	Screw (Exhaust Muffler)
34	499641	Intake Valve	613A	691140	Screw (Exhaust Muffler)
35	691304	Valve Spring (Intake)	615	690340	Retainer-Governor Shaft
36	691304	Valve Spring (Exhaust)	616	691306	Crank-Governor
37	694086	Flywheel Guard	619	691108	Screw (Cylinder Head Plate)
40	692194	Valve Retainer	621	692310	Switch-Stop
43	691997	Governor/Oil Slinger	633	693867	Choke Shaft Seal
45	690977	Valve Tappet	635	66538	Boot-Sparkplug
46	694039	Camshaft	670	692294	Spacer-Fuel Tank
51	692668	Intake Gasket	684	690345	Screw (Breather Passage Cover)
55	691421	Rewind Starter Housing	689	691855	Spring-Friction
58	693389	Starter Rope	692	690572	Detent Spring
60	281434	Starter Rope Grip	708	691321	Seal-Dust
65	690837	Screw (Rewind Starter)	718	690959	Pin-Locating
78	691108	Screw (Flywheel Guard)	741	691830	Gear-Timing
95	691636	Screw (Throttle Valve)	830	694544	Stud (Rocker Arm)
97	499682	Throttle Shaft	832	691466	Guard-Muffler
104	691242	Float Hinge Pin	836	692198	Screw (Muffler Guard)
108	691182	Choke Valve	836A	690664	Screw (Muffler Guard)
109	693866	Choke Shaft	842	691031	Dipstick/Tube Seal
117	498981	Main Jet	843	691884	Sleeve-Lever
121	695190	Carburetor Overhaul Kit	847	692047	Dipstick/Tube Assembly
122	692799	Carburetor Spacer	851	493880	Terminal-Cable
125	694204	Carburetor	868	498592	Seal-Valve
127	694468	Welch Plug	883	691893	Gasket-Exhaust
130	691203	Throttle Valve	914	691108	Screw (Rocker Cover)
133	398187	Carburetor Float	930	692675	Guard-Rewind
134	398188	Needle/Seat Kit	957	692046	Cap-Fuel Tank
137	693981	Gasket-Float Bowl	966	693863	Base- Air Cleaner Primer
146	690979	Timing Key	968	692298	Cover-Air Cleaner
155	695168	Cylinder Head Plate	972	499618	Fuel Tank
163	692667	Air Cleaner Gasket	975	493640	Bowl-Float
187	691050	Fuel Line	976	496115	Primer-Carburetor
188	691147	Screw (Control Bracket)	977	692704	Gasket Set-Carburetor
189	694543	Rocker Arm Ball	993	694088	Cylinder Head Plate Gasket
190	690940	Screw (Fuel Tank)	1005	691346	Fan-Flywheel
202	691303	Mechanical Governor Link	1019	693868	Label Kit
209	691290	Governor Spring	1022	691890	Gasket-Rocker Cover
222	693378	Control Bracket	1023	499624	Cover-Rocker
227	691467	Governor Control Lever	1026	692045	Rod-Push
238	691300	Valve Cap	1029	691230	Rocker Arm
276	271716	Sealing Washer	1034	691343	Guide-Push Rod
287	690940	Screw (Dipstick Tube)	1036	694507	Label-Emissions
300	694248	Muffler-Exhaust	1058	274264	Owner's Manual
304	499676	Housing-Blower	1059	692311	Screw/Washer Kit
305	691108	Screw (Blower Housing)	1095	692705	Valve Gasket Set
306	691232	Cylinder Shield	1102	691255	Guide Pilot
307	690345	Screw (Cylinder Shield)	1210	498144	Pulley/Spring Assembly (Pulley)
332	690662	Nut (Flywheel)	1211	498144	Pulley/Spring Assembly (Spring)
333	802574	Armature-Magneto			

EMISSION CONTROL WARRANTY STATEMENT

Your Warranty Rights and Obligations

The California Air Resources Board ("CARB") and Sears Roebuck and Co., USA, are pleased to explain the Emission Control System Warranty on your model year 2000 and later small off-road engine (engine). In California, new engines must be designed, built and equipped to meet the State's stringent anti-smog standards. Sears must warrant the emission control system on your engine for the periods of time listed below provided there has been no abuse, neglect, or improper maintenance of your engine.

Your emission control system includes parts such as the carburetor and the ignition system.

Where a warrantable condition exists, Sears will repair your engine at no cost to you. Expenses covered under warranty include diagnosis, parts, and labor.

Manufacturer's Warranty Coverage

The model year 2000 and later engines are warranted for two years. If any emission related part on your engine (as listed below) is defective, the part will be repaired or replaced by Sears.

Owner's Warranty Responsibilities

As the engine owner, you are responsible for the performance of the required maintenance listed in this owners manual. Sears recommends that you retain all receipts covering maintenance on your engine, but Sears cannot deny warranty solely due for the lack of receipts or for your failure to ensure the performance of all scheduled maintenance.

As the engine owner, you should be aware that Sears may deny you warranty coverage if your engine or a part of it has failed due to abuse, neglect, improper maintenance, unapproved modifications, or the use of parts not made or approved by the original equipment manufacturer.

You are responsible for presenting your engine to a Sears authorized repair center as soon as a problem exists. Warranty repairs should be completed in a reasonable amount of time, not to exceed 30 days.

If you have any questions regarding your warranty rights and responsibilities, you should contact your nearest authorized service center or call Sears at 1-800-473-7247.

Warranty Commencement Date

The warranty period begins on the date the engine is delivered.

Length of Coverage

Sears warrants to the initial owner and each subsequent purchaser that the engine is free from defects in materials and workmanship which cause the failure of a warranted part for a period of two years.

WHAT IS COVERED

Repair or Replacement of Parts

- Repair or replacement of any warranted part will be performed at no charge to the owner at an approved Sears service center.

- If you have any questions regarding your warranty rights and responsibilities, you should contact your nearest authorized service center or call Sears at 1-800-473-7247.

Warranty Period

Any warranted part which is not scheduled for replacement as required maintenance, or which is scheduled only for regular inspection to the effect of "repair or replace as necessary" shall be warranted for 2 years. Any warranted part which is scheduled for replacement as required maintenance shall be warranted for the period of time up to the first scheduled replacement point for that part.

Diagnosis

The owner shall not be charged for diagnostic labor which leads to the determination that the warranted part is defective if the diagnostic work is performed at an approved Sears service center.

Consequential Damages

Sears may be liable for damages to other engine components caused by the failure of a warranted part still under warranty.

WHAT IS NOT COVERED

All failures caused by abuse, neglect, or improper maintenance are not covered.

Add-on or Modified Parts

The use of add-on or modified parts can be grounds for disallowing a warranty claim. Sears is not liable to cover failures of warranted parts caused by the use of add-on or modified parts.

How to File a Claim

If you have any questions regarding your warranty rights and responsibilities, you should contact your nearest authorized service center or call Sears at 1-800-473-7247.

Where to Get Warranty Service

Warranty services or repairs shall be provided at all Sears authorized service centers.

Maintenance, Replacement and Repair of Emission Related Parts

Any Sears approved replacement part used in the performance of any warranty maintenance or repair on emission related parts will be provided without charge to the owner if the part is under warranty.

Emission Control Warranty Parts List

1. Carburetor Assembly
2. Ignition System
 - a. Spark Plug, covered up to maintenance schedule.
 - b. Ignition Module
3. Crankcase Breather Tube
4. Exhaust Manifold

TABLA DE CONTENIDOS

GARANTIA	25	ESPECIFICACIONES	33
INSTRUCCIONES DE SEGURIDAD	25-26	ALMACENAMIENTO	36
MONTAJE	27-28	REPARACION DE DAÑOS REPUESTOS	38
OPERACION	29-32	GARANTIA DEL CONTROL DE EMISIONES ...	39
MANTENIMIENTO	32-35	COMO ORDENAR PARTES .	PAGINA POSTERIOR

GARANTÍA

GARANTIA LIMITADA DE LA MAQUINA LAVADORA DE ALTA PRESION CRAFTSMAN

Durante un año a partir de la fecha de compra, Sears reparará, sin cargo alguno, cualquier defecto en material y mano de obra, siempre y cuando esta máquina lavadora de alta presión Craftsman haya sido mantenida y puesta en funcionamiento de acuerdo a las instrucciones suministradas en el manual del propietario.

Si esta máquina lavadora es usada para fines comerciales, la garantía se aplicará tan solo por 90 días a partir de la fecha de compra. Si esta máquina lavadora de alta presión es usada para alquiler, la garantía se aplicará tan solo por 30 días después de la fecha de compra.

Esta garantía no cubre:

- Elementos perecederos como bujías o filtros de aire, los cuales se desgastan con el uso normal.
- Reparaciones necesarias debido al abuso o negligencia del operador, incluyendo daños ocasionados por la ausencia de suministro de agua a la bomba o por no mantener el equipo de acuerdo a las instrucciones contenidas en el manual del propietario.

El servicio de garantía se hace efectivo devolviendo la máquina lavadora de alta presión al centro de servicio o distribuidor Sears mas cercano en los Estados Unidos.

Esta garantía le proporciona derechos legales específicos; usted también puede tener otros derechos, los cuales varían de estado a estado.

Sears, Roebuck and Co., Dept. 817 WA, Hoffman Estates, IL 60179

INSTRUCCIONES DE SEGURIDAD

ADVERTENCIA:

El escape del motor de este producto contiene elementos químicos reconocidos en el Estado de California por producir cáncer, defectos de nacimiento u otros daños de tipo reproductivo.



¡PRECAUCION! Cuando transporte, instale, ajuste o haga reparaciones a su máquina lavadora de alta presión, siempre desconecte el alambre de la bujía y colóquelo donde no pueda entrar en contacto con la bujía.



¡PELIGRO! Los gases del sistema de escape del motor contienen gas de monóxido de carbono **MORTAL**. Si este gas peligroso se inhala en concentraciones suficientes, puede causar pérdida de la consciencia o incluso la muerte. Opere este equipo únicamente al aire libre, donde exista ventilación adecuada.



¡PELIGRO! La gasolina es altamente **INFLAMABLE** y sus vapores son **EXPLOSIVOS**. No permita que fumen, que existan llamas abiertas, chispas o calor a su alrededor cuando manipule gasolina. Evite regar gasolina sobre un motor caliente. Permita que la unidad se enfríe antes de volver a colocarle combustible. Cumpla con todas las leyes que regulan el almacenamiento y el manejo de gasolina.

Lea este manual minuciosamente y conozca a fondo las partes y el funcionamiento de su máquina lavadora a presión. Conozca sus aplicaciones, sus limitaciones y los peligros involucrados.

- Coloque esta máquina lavadora a presión en áreas alejadas de materiales combustibles, humos o polvo combustibles.
- El equipo de alta presión está diseñado para ser utilizado **UNICAMENTE** con las partes autorizadas Sears. Si utiliza este equipo con partes que no cumplan con las especificaciones mínimas, el usuario asume todos los riesgos y responsabilidades.

INSTRUCCIONES DE SEGURIDAD

- Algunos químicos o detergentes pueden ser nocivos si se inhalan o ingieren, causando náusea severa, desmayos o envenenamiento. Los elementos nocivos pueden ocasionar daño a la propiedad o lesiones severas.
- **No** permita en ningún momento que NIÑOS operen la máquina lavadora a presión.
- Opere el motor únicamente a la velocidad de mando. Hacer funcionar el motor a velocidades excesivas aumenta el riesgo de lesiones personales. **No** juegue con partes que puedan aumentar o disminuir la velocidad de mando.
- **No** use ropa suelta, joyas o elementos que puedan quedar atrapados en el arranque o en otras partes rotatorias.
- Antes de poner en marcha la máquina lavadora a presión en clima frío, revise todas las partes del equipo y asegúrese de que no se haya formado hielo sobre ellas.
- Nunca utilice una pistola de rociado que no tenga un seguro para gatillo o protección para gatillo en su lugar y en buenas condiciones.
- Mantenga conectada la manguera a la máquina o a la pistola de rociado cuando el sistema esté presurizado. Es peligroso desconectar la manguera cuando la unidad está presurizada.
- NUNCA deberán ser operadas las unidades con partes rotas o ausentes, o sin la caja o cubiertas de protección.
- Revise que el sistema de combustible no presente fugas o signos de deterioro, como mangueras desgastadas o porosas, sujetadores flojos o ausentes, tapa o tanque dañados. Corrija todos los defectos antes de operar la máquina lavadora a presión.
- **No** rocíe líquidos inflamables.
- Utilice un respirador o máscara siempre que exista la posibilidad de inhalar vapores. Lea todas las instrucciones de la máscara para asegurarse de que le brindará la protección necesaria contra la inhalación de vapores nocivos.
- Nunca apunte la pistola a la gente, animales o plantas. La corriente de agua de alta presión que produce este equipo pueden perforar la piel y sus tejidos profundos, ocasionando lesiones serias y posible amputación.
- Nunca permita que partes del cuerpo entren en contacto con la corriente del fluido. **No** entre en contacto con la corriente del fluido creada por una fuga en la manguera de alta presión.
- Siempre use protección para los ojos cuando utilice este equipo o cuando esté cerca de donde se esté usando el equipo.
- El rociado de alta presión puede hacer que partículas pequeñas de pintura u otras partículas salgan disparadas y viajen a altas velocidades.
- **No** opere la máquina lavadora a presión con un valor de presión superior a su clasificación de presión.
- Nunca mueva la máquina halando la manguera de alta presión. Utilice la manija que viene con la unidad.
- Siempre asegúrese de que la pistola de rociado, boquillas y accesorios estén conectados correctamente.
- **No** asegure la pistola de rociado en la posición (open = abierto).
- El rociado de alta presión puede dañar elementos frágiles, incluyendo el vidrio. **No** apunte la pistola de rociado al vidrio cuando esté en el modo de rociado a chorro.
- Sostenga firmemente en su mano la manguera de rociado antes de poner en marcha la unidad. De no hacerlo, podrían ocurrir lesiones por el movimiento brusco de la pistola de rociado. **No** abandone la pistola de rociado cuando la máquina esté en funcionamiento.
- El área de limpieza deberá tener inclinaciones y drenajes adecuados para disminuir la posibilidad de caídas debido a superficies resbalosas.
- Mantenga el chorro del agua alejado de alambrados eléctricos, de lo contrario podrían ocurrir descargas eléctricas fatales.
- **No** eluda ningún dispositivo de seguridad de esta máquina.
- El silenciador y el motor se calientan durante el funcionamiento y permanecen calientes inmediatamente después del apagado. Evite el contacto con silenciadores o motores calientes, o podría quemarse severamente.
- Opere y almacene esta unidad sobre una superficie estable.
- La manguera de alta presión puede desarrollar fugas debido al desgaste, dobleces, abuso, etc. El agua que sale de una fuga es capaz de inyectar materiales en la piel. Inspeccione la manguera siempre que la vaya a usar. Revise todas las mangueras para ver si presentan cortes, fugas, abrasiones o deformación de la cubierta, daño o movimiento de acoplamientos. Si existe cualquiera de estas condiciones, reemplace la manguera inmediatamente. Nunca repare la manguera de alta presión. Reemplacela con una manguera que tenga la misma capacidad de presión máxima de su unidad.
- El silenciador y el depurador de aire deberán estar instalados y en buenas condiciones antes de operar la máquina lavadora a presión. Estos componentes actúan como apagachispas si el motor presenta contrafuegos.

En el estado de California es obligatorio, según la ley, el uso de apagachispas (Sección 4442 del Código de Recursos Públicos de California). Otros estados pueden tener leyes similares. Las leyes federales se aplican en tierras federales.

NOTA: Si equipa el silenciador con un apagachispas, este deberá ser mantenido en buenas condiciones de trabajo. Usted puede ordenar el apagachispas a través de su distribuidor de servicio autorizado Sears.



ESTE ES EL SIMBOLO DE ALERTA DE SEGURIDAD. ES USADO PARA INDICARLE SITUACIONES CON PELIGROS POTENCIALES DE LESION PARA EL PERSONAL. SIGA LAS INSTRUCCIONES DE TODOS LOS MENSAJES DE SEGURIDAD QUE APARECEN DESPUES DE ESTE SIMBOLO PARA EVITAR POSIBLES LESIONES O MUERTE.

MONTAJE

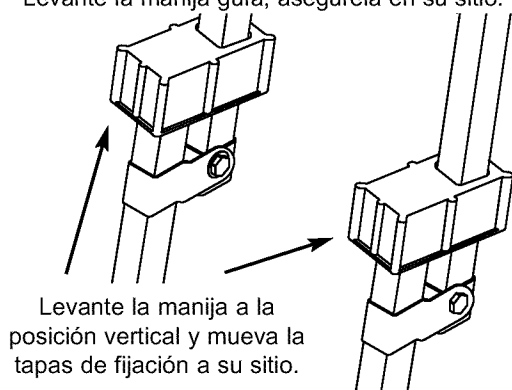
Su máquina lavadora a presión requiere de cierto ensamble y estará lista para ser usada únicamente después de haber depositado el combustible y el aceite recomendado.

Si tiene problemas con el ensamble de su máquina lavadora a presión, llame a la línea de ayuda de la máquina lavadora a presión al 1-800-222-3136.

IMPORTANTE: Cualquier intento de hacer funcionar el motor sin haber depositado el aceite recomendado resultará en falla del mismo.

RETIRE LA MAQUINA LAVADORA A PRESION DE LA CAJA

- Retire la caja de partes enviada con su máquina lavadora a presión.
- Corte dos esquinas opuestas al extremo de la manija guía de la caja, de la parte superior a la inferior, de tal forma que el panel pueda ser doblado hacia abajo.
- Saque la máquina lavadora a presión de la caja.
- Levante la manija guía, asegúrela en su sitio.



- Revise la caja para ver si existen partes sueltas adicionales.

CONTENIDO DE LA CAJA

Revise el contenido de la caja. Si alguna de las partes no está presente o está dañada, llame a la línea de ayuda de la máquina lavadora a presión al 1-800-222-3136.

- La unidad principal
- Caja de partes (incluye los elementos descritos a continuación)
 - Pistola de rociado
 - Manguera de alta presión
 - Extensión para boquillas con desconexión rápida
 - Boquillas de conexión rápida
 - Aceite para motor
 - Manual del operador
 - Juego para limpiar boquillas
 - Juego de anillos 'O'

Familiarícese con cada parte antes de ensamblar la máquina lavadora a presión. Compare el contenido con la ilustración de la página 29. Si alguna de las partes no está presente o se encuentra dañada, llame a la línea de ayuda de la máquina lavadora a presión al 1-800-222-3136.

MONTAJE DE LA MAQUINA LAVADORA A PRESION

La gran mayoría de su máquina lavadora a presión Craftsman ha sido ensamblada en la fábrica. Sin embargo, usted deberá llevar a cabo los siguientes procedimientos antes de poner en funcionamiento su máquina lavadora a presión:

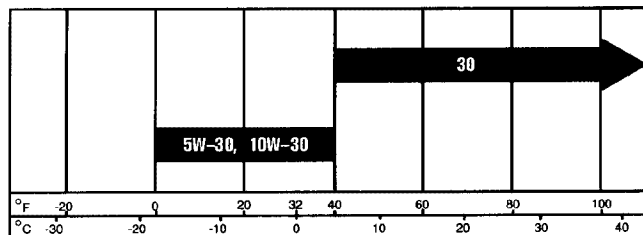
- Deposite aceite en la caja del cigüeñal del motor.
- Deposite combustible en el tanque.
- Conecte la manguera de alta presión a la pistola de rociado y a la bomba.
- Conecte el suministro de agua a la bomba.

Agregue Aceite de Motor

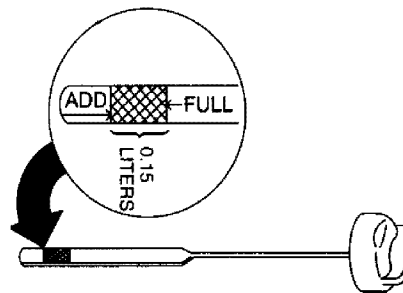
IMPORTANTE: Cualquier intento de hacer girar o arrancar el motor antes de que se haya depositado el aceite recomendado puede resultar en falla del motor.

NOTA: Cuando agregue aceite a la caja del cigüeñal del motor, use únicamente aceite detergente de alta calidad con clasificación de servicio API SF, SG o SH, peso 30 con clasificación SAE.

Se pueden usar los otros aceites de viscosidad mostrados en la tabla cuando la temperatura promedio de su área se encuentre dentro de los límites recomendados.



- Coloque la máquina lavadora a presión en una superficie nivelada.
- Limpie el área alrededor de la abertura para llenado de aceite y retire la varilla de medición del aceite.
- Limpie la varilla de medición. Vierta el aceite en la abertura de llenado. Vuelva a colocar y apriete la varilla de medición; retírela y revise el nivel del aceite. El aceite debe estar en la marca "Full" ("Lleno") de la varilla de medición. **NO LLENE EXCESIVAMENTE.**



- Instale la varilla de medición del aceite y apriétela firmemente con la mano.

NOTA: Revise el aceite frecuentemente durante el despegue del motor.

Agregue Gasolina

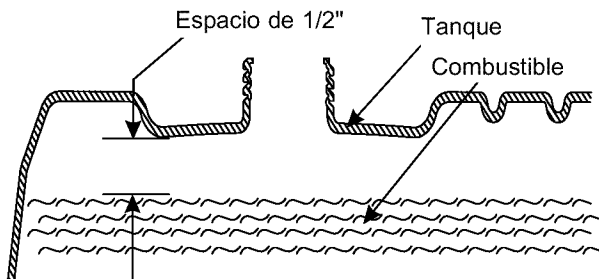


¡PELIGRO! Nunca llene el tanque de combustible en recintos cerrados. Nunca llene el tanque de combustible cuando el motor esté funcionando o esté caliente. No fume cuando esté llenando el tanque de combustible.



¡ADVERTENCIA! Nunca llene por completo el tanque de combustible. Deje espacio para la expansión del combustible. Limpie cualquier derrame de combustible del motor y del equipo antes de darle arranque a la unidad.

- Utilice gasolina para automotores limpia, fresca y sin contenido de plomo.
- Use combustible limpio y almacénelo en recipientes cubiertos, limpios y aprobados. Utilice embudos limpios. Nunca utilice gasolina "vieja" dejada de la estación anterior o gasolina almacenada por períodos de tiempo prolongados.
- Limpie el área alrededor de la tapa de llenado del combustible, retire la tapa.
- Agregue lentamente gasolina regular "SIN PLOMO" al tanque de combustible. Use un embudo para evitar que se derrame. Llene el tanque lentamente hasta aproximadamente 1/2" por debajo de la parte inferior del cuello del tubo de llenado.

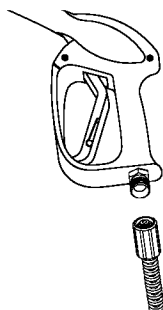


- Instale la tapa del tanque de combustible y limpie la gasolina que se haya derramado.

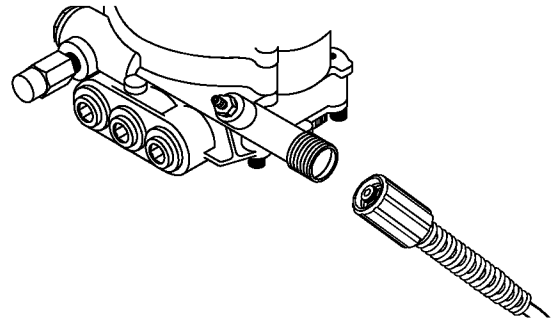
Conecte la Manguera y el Suministro de Agua a la Bomba

IMPORTANTE: Usted deberá armar la vara y conectar todas las mangueras antes de darle arranque al motor. La bomba resultará dañada si arranca el motor sin tener todas las mangueras conectadas y el suministro agua abierto.

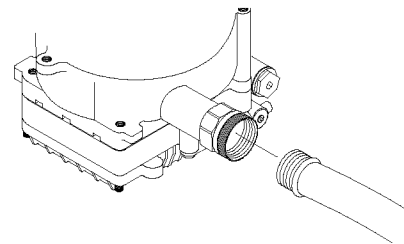
- Desenrolle la manguera de alta presión y conecte un extremo de la manguera a la base de la pistola de rociado. Apriete con la mano.



- Conecte el otro extremo de la manguera de alta presión a la salida de alta presión de la bomba. Apriete con la mano.



- Antes de que conecte la manguera de jardín a la entrada de agua, inspeccione el colador de la entrada. Limpie el colador si tiene residuos o solicite su remplazo si está dañado. **No haga funcionar la máquina lavadora a presión si el colador de la entrada está dañado.**
- Conecte la manguera de jardín a la entrada del agua. Apriete con la mano.



- ABRA el suministro del agua (abra la válvula completamente).



¡PRECAUCION! Antes de darle arranque a la máquina lavadora a presión, asegúrese de usar protección adecuada para los ojos.

LISTA DE REVISION PREVIA AL ARRANQUE DEL MOTOR

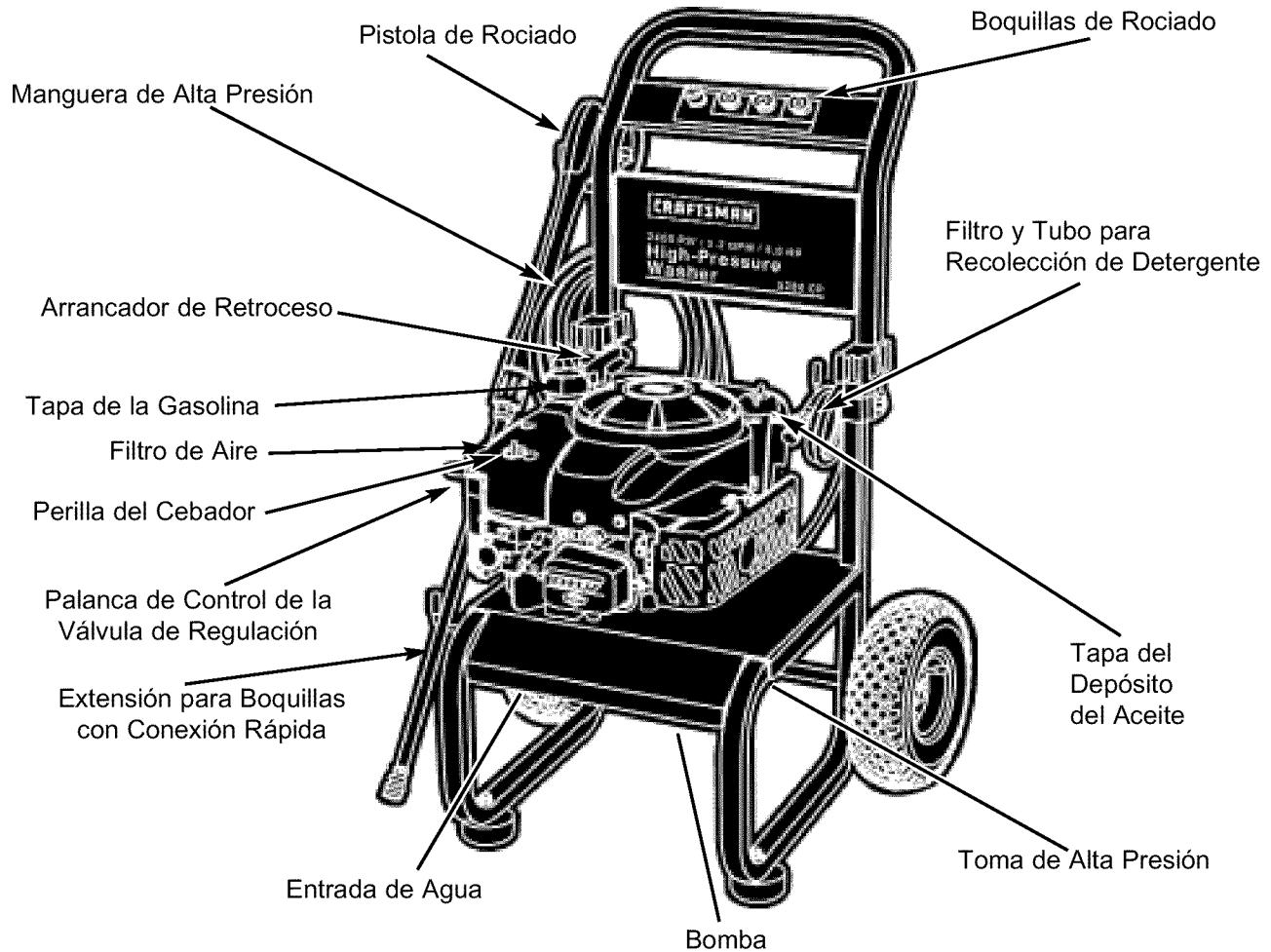
Revise la unidad para asegurarse que ha llevado a cabo los siguientes procedimientos:

- Revise que haya sido depositado aceite y esté al nivel correcto en la caja del cigüeñal del motor antes de darle arranque a la máquina lavadora a presión.
- Deposite la gasolina adecuada en el tanque del combustible.
- Revise que todas las conexiones de las mangueras (alta presión y suministro de agua) estén apretadas correctamente y que no existan dobleces, cortes o daño de la manguera de alta presión.
- Proporcione el suministro de agua adecuado (que no exceda los 140°F).
- Asegúrese de leer las secciones "Reglas de Seguridad" y "Operación" antes de usar la máquina lavadora a presión.

OPERACION

CONOZCA SU MAQUINA LAVADORA DE ALTA PRESION

Lea el manual del propietario y las reglas de seguridad antes de poner en marcha su máquina lavadora a presión. Compare las ilustraciones con su máquina lavadora a presión para familiarizarse con las ubicaciones de los diferentes controles y ajustes. Guarde este manual para referencias futuras.



Arrancador de Retroceso – Usado para arrancar el motor manualmente.

Bomba – Desarrolla alta presión de agua.

Boquillas de Rociado – Inyección de químicos, 0°, 15°, 40°: para diferentes aplicaciones de limpieza.

Entrada de Agua – Conexión para la manguera de jardín.

Extensión para Boquillas con Conexión Rápida – Le permite usar cuatro boquillas de rociado diferentes.

Filtro de Aire – El elemento de filtro tipo seco limita la cantidad de suciedad y polvo que se introduce en el motor.

Filtro y Tubo para Recolección de Detergente – Usado para succionar detergente de la botella de químicos a la corriente de agua de baja presión.

Manguera de Alta Presión – Conecte un extremo a la pistola de rociado y el otro extremo a la toma de alta presión.

Palanca de Control de la Válvula de Regulación – Coloca el motor en modo de arranque para el arrancador de retroceso y detiene el motor en funcionamiento.

Perilla del Cebador – Usada para arranque de motores fríos.

Pistola de Rociado – Controla la aplicación de agua sobre la superficie de limpieza con el gatillo. Incluye cerrojo de seguridad.

Tapa de la Gasolina – Llene el motor con gasolina regular sin contenido de plomo en este punto.

Tapa del Depósito del Aceite – Llene el motor con aceite aquí. Vea la página 27 para las recomendaciones del aceite.

Toma de Alta Presión – Conexión para la manguera de alta presión.

COMO USAR SU MAQUINA LAVADORA A PRESION

Si tiene problemas con el funcionamiento de su máquina lavadora a presión, por favor llame a la línea de ayuda de la máquina lavadora a presión al **1-800-222-3136**.

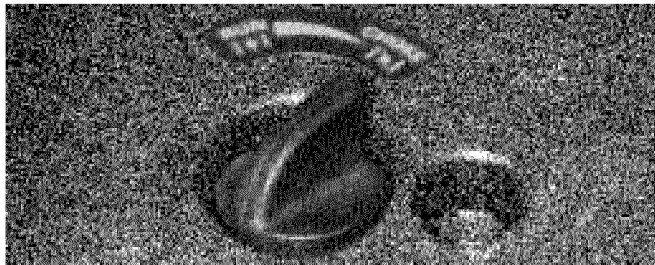
Para Poner en Marcha la Máquina Lavadora a Presión

Para darle arranque a su máquina lavadora a presión accionada por motor por primera vez, siga estas instrucciones paso a paso. Esta información acerca del arranque también se aplica siempre que le de arranque al motor después de haber dejado la máquina lavadora a presión fuera de uso por lo menos por un día.

- Coloque la máquina lavadora a presión en un área cercana a una fuente de agua exterior capaz de suministrar agua a una proporción mayor de 2.2 galones por minuto.
- Revise que la manguera de alta presión esté firmemente conectada a la pistola de rociado y a la bomba. Vea "Ensamble de la Máquina Lavadora a Presión" para las ilustraciones.
- Asegúrese de que la unidad esté nivelada.
- Conecte la manguera del jardín a la entrada del agua de la bomba de la máquina lavadora a presión. **ABRA el suministro del agua.**

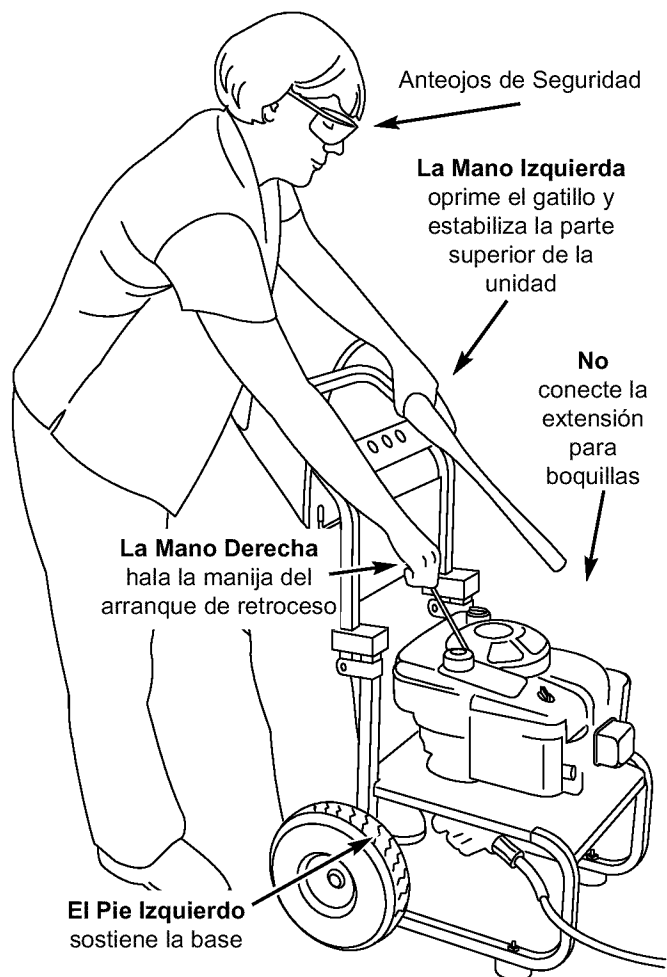
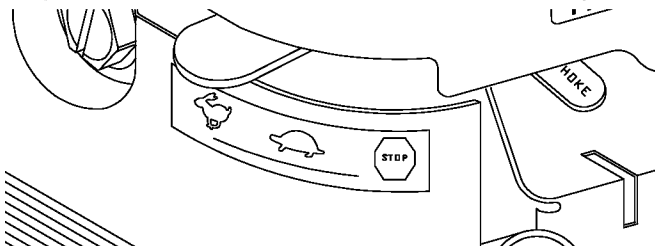
¡PRECAUCION! No haga funcionar la bomba sin tener conectado y abierto el suministro de agua. Deberá cumplir con esta instrucción, de otra forma la bomba resultará dañada.

- Mueva la perilla del cebador a la posición "Choke".



NOTA: Si el motor está caliente, asegúrese que la perilla del cebador esté en la posición "Run".

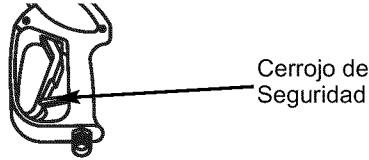
- Mueva la palanca de la válvula de regulación a la posición "Fast", marcada en la unidad con un conejo.



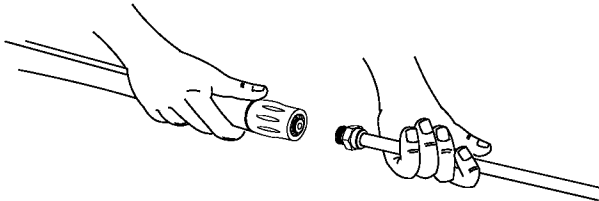
- Como se muestra a la derecha, asegúrese que la extensión para boquillas **NO** está conectada a la pistola de rociado.
- Coloque su pie izquierdo sobre el bastidor inferior de la unidad.
- Agarre la pistola de rociado con su mano izquierda y apriete el gatillo de la pistola de rociado. Observará un chorro delgado de agua saliendo de la pistola de rociado. Continúe oprimiendo el gatillo. Su mano izquierda también ayudará a estabilizar la unidad.
- Agarre la manija del arranque de retroceso con su mano derecha, de la forma ilustrada. Hale ligeramente la manija del arranque hasta que sienta cierta resistencia y luego hale rápidamente. Devuelva la manija del arranque lentamente. **No** permita que la soga "rebote violentamente" contra el arranque.
- Cuando el motor arranque, suelte el gatillo de la pistola de rociado y mueva lentamente la perilla del cebador a la posición "Run" a medida que el motor se caliente y funcione correctamente.

NOTA: El gatillo de la pistola de rociado **DEBE** estar oprimido cuando le de arranque al motor.

- Enganche el cerrojo de seguridad al gatillo de la pistola de rociado.



- Conecte la extensión para boquillas a la pistola de rociado. Apriete con la mano.



- Seleccione la boquilla que quiere usar y colóquela en la extensión para boquillas. Vea "Cómo Usar las Boquillas".

Cómo Detener su Máquina Lavadora a Presión

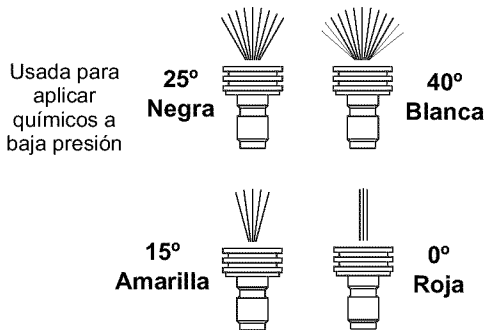
- Mueva la palanca de la válvula de regulación a la posición "Stop" ("Parado").
- Apriete el gatillo de la pistola de rociado para eliminar la presión de la manguera.**

NOTA: Observará una pequeña cantidad de agua cuando elimine la presión.

Cómo Usar las Boquillas

¡PELIGRO! Nunca intercambie boquillas sin haber asegurado el cerrojo de seguridad del gatillo.

La conexión rápida de la extensión para boquillas le permite usar cuatro boquillas diferentes. Las boquillas tienen diferentes patrones de rociado como se ilustra a continuación.



Para cambiar las boquillas:

- Enganche el cerrojo de seguridad de la pistola de rociado.
- Mueva hacia atrás el collar de la conexión rápida y saque la boquilla instalada. Almacene la boquilla en el espacio suministrado en el panel de control.

NOTA: Para un enjuague más suave, seleccione la boquilla blanca de 40°. Para fregar la superficie, seleccione la boquilla roja de 0° o la amarilla de 15°. Para aplicar el químico, seleccione la boquilla negra de baja presión.

- Mueva el collar hacia atrás, inserte la boquilla nueva y suelte el collar. Hale la boquilla para asegurarse de que está conectada firmemente.
- Para una limpieza más efectiva, mantenga la boquilla de rociado de 8 a 24 pulgadas de la superficie de limpieza. Si coloca la boquilla muy cerca, podría dañar la superficie que está limpiando.

Limpieza y Aplicación del Químico

¡ADVERTENCIA! Usted deberá conectar todas las mangueras antes de darle arranque al motor. Arrancar el motor sin tener todas las mangueras conectadas y sin el suministro de agua ABIERTO (ON) causará el daño de la bomba.

IMPORTANTE: Utilice químicos diseñados específicamente para máquinas lavadoras a presión. Los detergentes caseros podrían dañar la bomba.

Para aplicar el detergente, siga los siguientes pasos:

- Revise el uso de las boquillas.
- Prepare la solución detergente siguiendo las instrucciones del fabricante.
- Cuelgue el recipiente de la solución detergente en el gancho ubicado en la parte posterior de la máquina lavadora a presión.
- Coloque el filtro pequeño del tubo de inyección de químicos en el recipiente del detergente.

¡PRECAUCION! Evite que el tubo de inyección de químicos entre en contacto con el silenciador caliente. Si esto sucede, el tubo de inyección de químicos resultará dañado. Cuando coloque el filtro en la botella del químico, coloque el tubo de manera que no entre en contacto accidentalmente con el silenciador caliente.

- Asegúrese de que la boquilla negra esté instalada en la extensión para boquillas.

NOTA: No se puede aplicar detergente con las boquillas de alta presión (Blanca, Amarilla o Roja).

- Asegúrese que la manguera de jardín esté conectada a la entrada del agua. Revise que la manguera de alta presión esté conectada a la pistola de rociado y a la bomba. Dele arranque al motor.
- Aplique el detergente sobre la superficie seca, comenzando en la parte inferior del área y dirigiéndose hacia arriba, utilizando movimientos largos, parejos y superpuestos. **No** permita que el detergente se seque. Si permite que el detergente se seque, la superficie podría quedar con manchas.
- Permita que el detergente penetre de 3 a 5 minutos antes de enjuagar. Vuelva a aplicar cuando sea necesario para evitar que la superficie se seque.

Enjuague de la Máquina Lavadora a Presión



¡ADVERTENCIA! Sea extremadamente cuidadoso si usa la máquina lavadora a presión desde una escalera, andamio o cualquier superficie relativamente inestable. La presión de una máquina lavadora en funcionamiento se acumula a medida que usted sube. Cuando oprima el gatillo, la fuerza de reacción del rociado inicial podría hacerlo caer. El rociado de la alta presión podría hacerlo caer si está muy cerca de la superficie que está limpiando.

Después de haber aplicado el detergente, refriegue la superficie y enjuagela de la siguiente manera:

- Coloque el cerrojo de seguridad a la pistola de rociado.
- Retire la boquilla negra para químicos de la extensión para boquillas.
- Seleccione e instale la boquilla de alta presión que desee siguiendo las instrucciones de "Cómo Usar las Boquillas" de la página 31.
- Mantenga la pistola de rociado a una distancia segura del área que planea rociar.

- Aplique un rociado de alta presión en un área pequeña, después revise si la superficie presenta daños. Si no encuentra daños, puede continuar con el trabajo de limpieza.
- Comience en la parte superior del área que va a enjuagar, dirigiéndose hacia abajo con los mismos movimientos superpuestos que utilizó para la limpieza.
- Se recomienda el uso de un cepillo en áreas difíciles de limpiar.

Sistema de Enfriamiento Automático (Alivio Térmico)

El agua que circula dentro de la bomba puede alcanzar temperaturas entre los 140-145°F si hace funcionar el motor de su máquina lavadora a presión de 3 a 5 minutos sin oprimir el gatillo de la pistola de rociado. Cuando el agua alcanza dicha temperatura, el sistema de enfriamiento automático se activa y enfría la bomba descargando agua caliente en el piso. Este sistema evita el daño interno de la bomba. La descarga terminará una vez la bomba se haya enfriado.

NOTA: Esto no es una fuga. **No** devuelva la máquina lavadora a presión.

MANTENIMIENTO

RESPONSABILIDADES DEL PROPIETARIO

Siga el programa de mantenimiento según el número de horas o según el calendario, lo que suceda primero. Se requiere de servicio con mayor frecuencia cuando opere la unidad en las condiciones adversas descritas a continuación.

HORARIO DE MANTENIMIENTO COLOQUE LAS FECHAS A MEDIDA QUE VA COMPLETANDO EL SERVICIO REGULAR	INTERVALO DE OPERACION POR HORA			FECHAS DE SERVICIO			
	Antes de cada uso	Cada 50 Horas o Anualmente	Cada 100 Horas o Anualmente				
TAREA DE MANTENIMIENTO							
MAQUINA LAVADORA A PRESION							
Revise/limpie el colador de la entrada de agua de la conexión rápida.	X†						
Revise la manguera de alta presión.	X						
Revise la manguera del detergente.	X						
Revise la pistola de rociado y el conjunto para ver si existen fugas.	X						
Elimine el aire y los contaminantes de la bomba.	X						
MOTOR							
Revise el nivel de aceite	X						
Cambie el aceite del motor.		X*					
Proporcione servicio al depurador de aire.			X**				
Limpie la bujía.			X				
Proporcione servicio al apagachispas.		X					
Prepare la unidad para almacenamiento.	Prepare la unidad para almacenamiento si va a estar fuera de servicio por más de 30 días.						

† Limpiar si está obstruido. Reemplazar si está perforado o roto.

* Cambiar el aceite después de las primeras (5) horas y después cada 50 horas. Hacer el cambio de aceite con mayor frecuencia cuando trabaje en condiciones de mucha suciedad o polvo.

** Reemplazar más a menudo bajo condiciones de suciedad o polvo.

ESPECIFICACIONES DEL PRODUCTO

Especificaciones de la Máquina Lavadora a Presión

Presión 2,400 PSI
Velocidad de flujo 2.2 GPM
Mezcla de químicos Use según instrucciones
Temperatura del suministro de agua Que no exceda los 140°F

Especificaciones del Motor

Caballos de fuerza 6.0 HP
Bujía
Tipo: Champion RJ19LM o similar
Calibre la separación a: 0.030 pulgadas (0.76 mm)
Capacidad de gasolina 1.6 Cuartos
Aceite
Por encima de 40°F . . . SAE 30
0°F - 40°F SAE 5W-30 o 10W-30

RECOMENDACIONES GENERALES

La garantía de la máquina lavadora a presión no cubre los elementos que han sido sujetos a abuso o negligencia por parte del operador. Para recibir el valor total de la garantía, el operador deberá mantener la máquina lavadora a presión como se indica en este manual.

Algunos ajustes tendrán que hacerse periódicamente para mantener adecuadamente su máquina lavadora a presión.

Todos los servicios y ajustes deberán hacerse por lo menos una vez en cada estación. Siga las instrucciones de la tabla "Programa de Mantenimiento" descrita anteriormente.

NOTA: Una vez al año, usted deberá limpiar o reemplazar la bujía y el filtro de aire. Una bujía nueva y un filtro de aire limpio garantizan una mezcla de combustible-aire adecuada y le ayuda a su motor a funcionar mejor y a tener una vida útil más prolongada.

ANTES DE CADA USO

- Revise el nivel de aceite del motor.
- Revise si existen daños en el colador de la entrada de agua.
- Revise si existen fugas en la manguera de alta presión.
- Revise si existen daños en los filtros de químicos.
- Revise si existen fugas en el conjunto de la vara y pistola.
- Elimine el aire y los contaminantes de la bomba.

MANTENIMIENTO DE LA MAQUINA LAVADORA A PRESION

Revise y Limpie el Colador de Entrada

Examine el colador de entrada de la manguera de jardín. Límpielo si está tapado o reemplacelo si está roto.

Revise la Manguera de Alta Presión

Las mangueras de alta presión pueden desarrollar fugas debido al desgaste, dobleces o abuso. Revise la manguera antes de cada uso. Revise si existen cortes, fugas, abrasiones, levantamiento de la cubierta, daño o movimiento de los acoplamientos. Si existe cualquiera de estas condiciones, remplace la manguera inmediatamente.



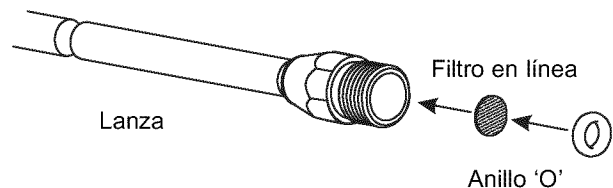
¡PELIGRO! Nunca repare la manguera de alta presión. **Remplacela** con una manguera que cumpla con la capacidad mínima de presión de su máquina lavadora a presión.

Revise la Pistola y la Vara

Examine la conexión de la manguera a la pistola y cerciorese de que esté en buen estado. Pruebe el gatillo oprimiéndolo y asegurándose de que se devuelve a su sitio cuando lo suelte. Coloque el cerrojo de seguridad en la posición SUPERIOR y pruebe el gatillo. Usted no debe ser capaz de oprimir el gatillo. Remplace la pistola inmediatamente si falla cualquiera de estas pruebas.

Revise el Filtro en Línea

Consulte la ilustración y suministre servicio al filtro en línea si se tapa siguiendo estos pasos:



1. Retire la pistola y la lanza de la manguera de alta presión. Retire la lanza de la pistola y retire el anillo 'o' y el colador de la lanza. Lave el colador, pistola y lanza con agua limpia para eliminar toda clase de residuos.
2. Si el colador está dañado, encontrará un colador para el filtro en línea y un anillo 'o' de repuesto en el juego de anillos 'o'. Si no está dañado, vuelva a usarlo.
3. Coloque el colador del filtro en línea en el extremo con rosca de la lanza. Su dirección no importa. Coloque el colador ejerciendo presión con el borrador de un lápiz hasta que se asiente por completo en el fondo de la abertura. Tenga cuidado de no doblar el colador.
4. Coloque el anillo 'o' en la ranura respectiva. Empuje el anillo 'o' hasta que quede ajustado contra el colador del filtro en línea.
5. Conecte la lanza a la pistola de rociado de la manera descrita anteriormente en este manual.

Elimine el Aire y los Contaminantes de la Bomba

Para retirar el aire de la bomba, siga los siguientes pasos:

- Instale la máquina lavadora a presión como está descrito en la sección de MONTAJE y conecte el suministro de agua.

- Hale el gatillo de la pistola y manténgalo apretado hasta que obtenga una corriente de agua constante.

Para retirar los contaminantes de la bomba, siga los siguientes pasos:

- Instale la máquina lavadora a presión como está descrito en la sección de MONTAJE y conecte el suministro de agua.
- Retire el aditamento para boquillas de la pistola.
- Ponga en marcha el motor de acuerdo a las instrucciones de la sección OPERACION.
- Desenganche el cerrojo de seguridad, hale el gatillo de la pistola y manténgalo apretado.
- Cuando el suministro de agua sea uniforme y constante, enganche el cerrojo de seguridad y vuelva a ajustar el aditamento para boquillas.

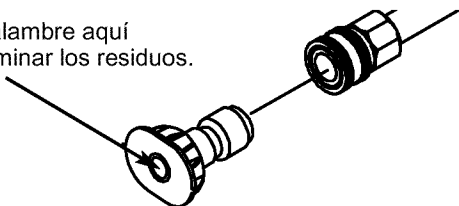
Mantenimiento de las Boquillas

Si la boquilla se obstruye o tapa con materiales extraños, como suciedad, se puede presentar presión excesiva de la bomba. Si las boquillas se tapan parcialmente, se puede tener una sensación pulsátil durante el uso. Esto generalmente no es un problema relacionado con la bomba, es más que todo una boquilla tapada o parcialmente obstruida.

Si las boquillas se tapan u obstruyen parcialmente, límpielas inmediatamente con el juego incluido en su máquina lavadora a presión siguiendo estas instrucciones:

- Apague el motor y cierre el suministro de agua.
- Desenganche el cerrojo de seguridad, hale el gatillo de la pistola y manténgalo oprimido hasta eliminar toda el agua de la unidad. Enganche el cerrojo de seguridad de la pistola.
- Retire la boquilla del extremo de la extensión para boquillas.
- Use el alambre incluido en el juego o un clip de papel pequeño para liberar los materiales extraños que están tapando u obstruyendo la boquilla.

Use el alambre aquí para eliminar los residuos.



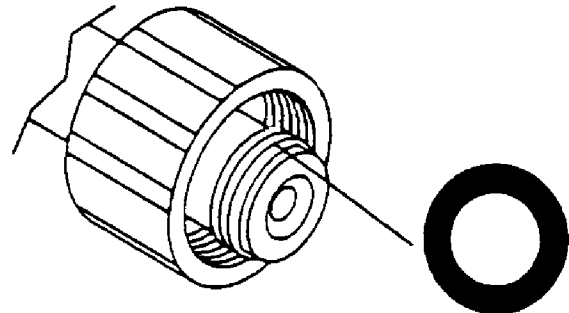
- Retire la suciedad adicional enjuagando la boquilla.
- Retire la suciedad adicional enjuagando la boquilla. Enjuague de 30 a 60 segundos.
- Vuelva a instalar la boquilla en la extensión para boquillas.
- Vuelva a conectar el suministro de agua, abra el suministro del agua y ponga el motor en funcionamiento.
- Desenganche el cerrojo de seguridad de la pistola.
- Pruebe la máquina lavadora a presión.

Mantenimiento de los Anillos 'O'

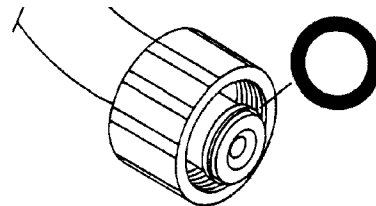
Durante la operación normal de su máquina lavadora a presión los anillos 'o' mantienen apretadas y libres de fugas las conexiones de las mangueras y la pistola. Ellos pueden desgastarse o dañarse con el uso. Su máquina lavadora a presión viene con un Juego de Mantenimiento para anillos 'o', el cual contiene anillos 'o', una arandela de caucho y un colador de repuesto para la entrada de la manguera de jardín.

Las partes del Juego de Anillos 'o' incluyen:

- 1 anillo 'o' rojo, (p/n B2726) para el extremo de la conexión de la pistola de rociado entre la pistola y la extensión para boquillas.

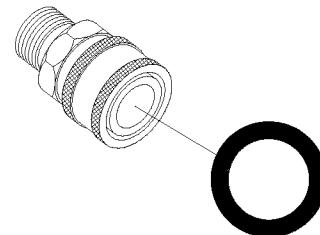


- 1 anillo 'o' amarillo, (p/n B2264) para el extremo de la manguera de alta presión.

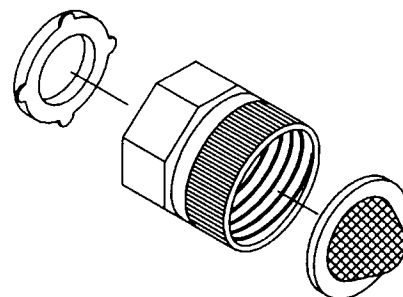


NOTA: Los dos anillos 'o' anteriores tienen un tamaño similar. Por favor compárelos y asegúrese de usarlos en el lugar correcto.

- 1 anillo 'o' azul, (p/n B3065) para la parte interna de la conexión rápida de la extensión para boquillas.



- 1 arandela de caucho (p/n B2385) para la parte interna del conector de la manguera de jardín.



- 1 colador para la entrada de agua (p/n B2384) para el conector de la manguera de jardín.

Para retirar un anillo 'o' desgastado o dañado:

- Utilice un destornillador de cabeza plana pequeño, colóquelo por debajo del anillo 'o' y sáquelo suavemente haciendo palanca.

MANTENIMIENTO DEL MOTOR

Revisión del Nivel del Aceite

El nivel del aceite deberá ser revisado antes de cada uso o al menos cada 5 horas de operación. Conserve el nivel del aceite.

Cambio de Aceite

Cambie el aceite del motor después de las primeras 5 horas y cada 50 horas, o anualmente, a partir de ese momento. Si está utilizando su máquina lavadora a presión bajo condiciones de extrema suciedad o polvo, o en un clima demasiado caliente, haga el cambio de aceite cada 25 horas.

Cambie el aceite con el motor caliente después del funcionamiento, como se indica a continuación:

- Retire el tapón del drenaje ubicado en la parte inferior del motor.
- Drene el aceite en un recipiente adecuado. Cuando la caja del cigüeñal esté vacía, vuelva a colocar el tapón del drenaje.
- Deposite el aceite lentamente por la abertura de llenado del aceite. Vuelva a colocar y a apretar la varilla de medición, retírela y revise el nivel del aceite. El nivel del aceite debe estar en la marca de "Full" ("Lleno") de la varilla de medición. No llene por encima de esa marca.
- Instale y apriete la varilla de medición/tapa del aceite cuando la caja del cigüeñal esté llena al nivel correcto.
- Limpie los residuos de aceite.

Servicio del Depurador de Aire

Su motor no funcionará adecuadamente y puede dañarse si usted lo hace funcionar con un depurador de aire sucio.

Suministre servicio al depurador de aire una vez cada 100 horas de operación o una vez por año, lo que suceda primero. Suministre servicio más frecuentemente si la unidad funciona bajo condiciones de mucha suciedad o polvo. Los repuestos se encuentran disponibles en su centro de servicio local Sears.

Para suministrar servicio al depurador de aire, siga los siguientes pasos:

- Retire los tornillos y levante la cubierta.
- Retire cuidadosamente el conjunto de cartucho y pre-depurador.
- Después de suministrar servicio al pre-depurador y al cartucho, coloque el pre-depurador en el cartucho.

- Instale el pre-depurador/cartucho en la base.
- Coloque la cubierta sobre el depurador de aire y apriete los tornillos a la base firmemente.

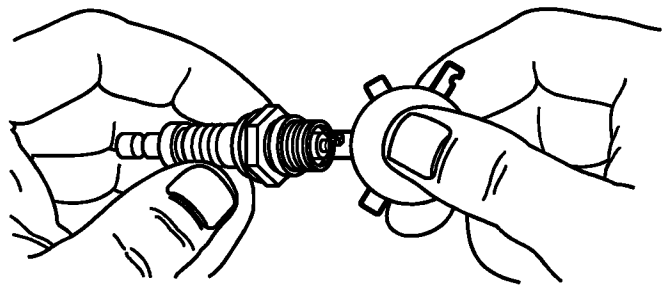
Remplace la Bujía

Remplace la bujía anualmente o cada 100 horas de operación.



PRECAUCION: Desconecte el alambre de la bujía y manténgalo alejado de la misma.

- Limpie el área alrededor de la bujía y retírela.
- Para su replazo utilice una bujía Champion RJ19LM o similar.
- Revise la separación del electrodo con un calibrador de alambre y ajuste la separación a 0.030 pulgadas (0.76 mm), si es necesario.



- Instale la bujía y apriétela firmemente.

Carburador

Si usted cree que su carburador necesita ajuste, visite su centro de servicio Sears más cercano. El funcionamiento del motor podría resultar afectado a altitudes por encima de 4000 pies. Para operaciones a elevaciones mayores, póngase en contacto con el centro de servicio Sears más cercano.

Servicio del Apagachispas

El motor de su unidad no viene equipado de fábrica con un apagachispas. En ciertas áreas, es ilegal operar motores que no tengan apagachispas. Revise las leyes y regulaciones locales. Si necesita apagachispas, lo puede comprar en su centro de servicio Sears más cercano. Para obtener el número de parte llame al **1-800-366-PART**.

Deberá suministrarle servicio al apagachispas cada 50 horas para conservarlo en buenas condiciones de funcionamiento.

Si el motor ha estado funcionando, el silenciador estará bastante caliente. Deje que el silenciador se enfríe para poder darle servicio al apagachispas.

- Retire la pantalla del apagachispas para limpieza e inspección.
- Remplace la pantalla si está dañada.

ALMACENAMIENTO

DESPUES DE CADA USO

No deberá haber agua en la unidad por largos periodos de tiempo. Los sedimentos de minerales se pueden depositar en partes de la bomba y "congelar" su funcionamiento.

Lleve a cabo estos procedimientos después de cada uso:

- Lave el tubo de succión de detergente colocando el filtro en un balde de agua limpia al mismo tiempo que hace funcionar la máquina lavadora a presión en el modo de baja presión. Lave por un minuto o dos minutos.
- Apague el motor y déjelo enfriar, después retire todas las mangueras.
- Desconecte el alambre de la bujía.
- Saque todos los líquidos de la bomba halando la manija de retroceso aproximadamente 3 veces. Esto deberá evacuar la mayoría del líquido de la bomba.
- Enrolle la manguera de alta presión y revísela para ver si presenta daños. Los cortes en la manguera o el desgaste de la misma pueden ocasionar fugas y pérdida de presión. Si encuentra algún daño, reemplace la manguera. **No** intente reparar una manguera dañada. Reemplace la manguera con la parte Craftsman genuina.
- Drene el agua de la manguera y enrollela adecuadamente en el soporte de alambre suministrado.
- Vuelva a conectar el alambre a la bujía.
- Almacene la unidad en una área limpia y seca.



¡PELIGRO! Nunca almacene el motor con combustible en el tanque en recintos cerrados o en áreas encerradas con poca ventilación donde los vapores puedan entrar en contacto con llamas abiertas, chispas o luces de piloto.

ALMACENAMIENTO PARA INVIERNO



¡PRECAUCION! Usted deberá proteger su unidad contra las temperaturas de congelamiento. Si no lo hace, dañará permanentemente la bomba y la unidad no podrá funcionar.

Para proteger la unidad de las temperaturas de congelamiento:

- Lave el tubo de succión de detergente colocando el filtro en un balde de agua limpia al mismo tiempo que hace funcionar la máquina lavadora a presión en el modo de baja presión. Lave por un minuto o dos minutos.
- Desconecte la manguera conectada al adaptador de inyección de químicos de la bomba.
- Saque todos los líquidos de la bomba halando la manija de retroceso aproximadamente 3 veces. Esto deberá evacuar la mayoría del líquido de la bomba.
- Conecte un pedazo de manguera de jardín de 3 pies al adaptador de la entrada del agua. Vierta anticongelante

RV (anticongelante sin alcohol) en la manguera. Hale la manija de retroceso dos veces. Desconecte la manguera de 3 pies.

- Elimine el anticongelante restante de manera adecuada.

ALMACENAMIENTO PROLONGADO

Si usted no planea usar la máquina lavadora a presión por más de 30 días, deberá preparar el motor para un almacenamiento prolongado.

Es importante evitar la formación de depósitos de goma en las partes esenciales del sistema del combustible tales como carburador, filtro del combustible, manguera o tanque del combustible durante el almacenamiento. También, la experiencia indica que los combustibles con mezclas de alcohol (llamados gasohol, etanol o metanol) pueden atraer la humedad, lo que lleva a la separación y formación de ácidos durante el almacenamiento. La gasolina ácida puede dañar el sistema del combustible de un motor durante el almacenamiento.

Proteja el Sistema de Combustible

Aditivo para Combustible:

Si va a usar aditivo para combustible, llene el tanque de combustible con gasolina fresca. Si el tanque está parcialmente lleno, el aire del tanque va a promover el deterioro del combustible durante el almacenamiento. El motor y el combustible pueden ser almacenados hasta 24 meses con aditivo.

- Deposite el aditivo para combustible siguiendo las instrucciones del fabricante.
- Asegúrese de tener conectado y ABIERTO el suministro de agua a la entrada de la bomba.
- Ponga en funcionamiento el motor en un área descubierta por 10 minutos para asegurarse de que la gasolina tratada ha reemplazado la gasolina no tratada del carburador.

Si no usa aditivo para combustible, retire todo el combustible del tanque y haga funcionar el motor hasta que se detenga por falta de combustible.

Cambio de Aceite

Con el motor todavía tibio, no caliente, drene el aceite de la caja del cigüeñal. Vuelva a llenarla con el grado de aceite recomendado. Vea "Cambio de Aceite" en la página 35.

Aceite el Diámetro Interior del Cilindro

- Retire la bujía. Rocíe aproximadamente 1/2 onza de aceite limpio para motor dentro del cilindro. Cubra el orificio de la bujía con un trapo. Hale la manija de retroceso lentamente para distribuir el aceite. Evite el rociado del orificio de la bujía.
- Instale la bujía. **No** conecte el alambre de la bujía.

IMPORTANTE: NUNCA cubra su máquina lavadora a presión cuando el motor y el área del escape estén calientes.

REPARACION DE DAÑOS

Problema	Causa	Solución
La bomba presenta los siguientes problemas: no produce presión, produce una presión errada, traqueteo, pérdida de presión, bajo volumen de agua.	<ol style="list-style-type: none"> 1. Está usando la boquilla de baja presión (negra). 2. La entrada de agua está bloqueada. 3. Suministro de agua inadecuado. 4. La manguera de entrada está doblada o presenta fugas. 5. El colador de la manguera de entrada está tapado. 6. El suministro de agua está por encima de los 140°F. 7. La manguera de alta presión está bloqueada o presenta fugas. 8. La pistola presenta fugas. 9. La boquilla está obstruida. 10. Bomba defectuosa. 	<ol style="list-style-type: none"> 1. Cambie la boquilla a una de las tres boquillas de alta presión. 2. Limpie la entrada. 3. Proporcione flujo de agua adecuado. 4. Reemplace la manguera. 5. Revise y limpie el colador de la manguera de entrada. 6. Proporcione suministro de agua más fría. 7. Retire las obstrucciones de la manguera de salida. 8. Reemplace la pistola. 9. Limpie la boquilla. 10. Póngase en contacto con el centro de servicio Sears.
El detergente no se mezcla con el rociado.	<ol style="list-style-type: none"> 1. El tubo de succión de detergente no está sumergido. 2. El filtro de químicos está tapado. 3. Está usando la boquilla de alta presión. 	<ol style="list-style-type: none"> 1. Coloque el tubo de succión de detergente en el detergente. 2. Limpie o reemplace el filtro/tubo de succión de detergente. 3. Use la boquilla de baja presión (negra).
El motor funciona bien cuando no tiene cargas, pero funciona "mal" cuando se conecta una carga.	La velocidad del motor es demasiado lenta.	Mueva el control de la válvula de regulación a la posición FAST (RAPIDO). Si el motor continua funcionando mal, póngase en contacto con el centro de servicio Sears.
El motor no arranca; o arranca y funciona mal.	<ol style="list-style-type: none"> 1. Depurador de aire sucio. 2. Sin gasolina. 3. Gasolina vieja. 4. El alambre de la bujía no está conectado a la bujía. 5. Bujía mala. 6. Agua en la gasolina. 7. Estrangulación excesiva. 8. Humo blanco en el escape. 9. Válvula de entrada trabada en la posición abierta o cerrada. 10. El motor ha perdido compresión. 	<ol style="list-style-type: none"> 1. Limpie o reemplace el depurador de aire. 2. Llene el tanque de combustible. 3. Drene el tanque de gasolina; llénelo con combustible fresco. 4. Conecte el alambre a la bujía. 5. Reemplace la bujía. 6. Drene el tanque de gasolina; llénelo con combustible fresco. 7. Abra el cebador por completo y haga girar el motor. 8. Póngase en contacto con el centro de servicio Sears. 9. Póngase en contacto con el centro de servicio Sears. 10. Póngase en contacto con el centro de servicio Sears.
El motor se apaga durante la operación.	Sin gasolina.	Llene el tanque de combustible.
El motor no tiene fuerza.	Filtro de aire sucio.	Reemplace el filtro de aire.
El motor intenta estabilizarse o su funcionamiento no es constante.	Cebador abierto demasiado rápido	Mueva el cebador a la posición intermedia hasta que el motor funcione normalmente.

GARANTÍA DEL SISTEMA DE CONTROL DE EMISIONES

Sus Obligaciones y Derechos de Garantía

La Junta Directiva de Recursos Ambientales de California ("CARB") y Sears Roebuck and Co. USA, tienen el gusto de explicar la Garantía del Sistema de Control de Emisiones de su motor (motor pequeño año 2000 y modelos posteriores. En California, los motores nuevos deben ser diseñados, fabricados y equipados para cumplir con los estrictos estándares anti-polución del Estado. Sears deberá garantizar el sistema de control de emisiones de su motor por los períodos de tiempo enlistados a continuación, con tal de que no haya habido abuso, negligencia o mantenimiento inadecuado de su motor.

Su sistema de control de emisiones incluye partes como el carburador y el sistema de ignición.

Donde exista una condición que se pueda garantizar, Sears reparará su motor sin costo alguno para usted. Los gastos cubiertos bajo la garantía incluyen diagnóstico, partes y mano de obra.

Cubrimiento de Garantía del Fabricante

Los motores modelo año 2000 y posteriores están garantizados por dos años. Si alguna parte de su motor relacionada con las emisiones (lista a continuación) es defectuosa, ésta será reemplazada o reparada por Sears.

Responsabilidades de Garantía del Propietario

Como propietario del motor, usted es responsable de la realización del mantenimiento requerido enlistado en este manual del propietario. Sears le recomienda conservar todos los recibos que cubran el mantenimiento de su motor. Sin embargo, Sears no puede negar los derechos de garantía tan solo debido a la falta de los recibos o por que no se haya asegurado de realizar todo el mantenimiento programado.

Como propietario del motor, usted debe saber que Sears puede negar el cubrimiento de la garantía si su motor, o una parte del mismo, ha fallado debido a abuso, negligencia, mantenimiento inadecuado, modificaciones no aprobadas, o por el uso de partes que no hayan sido fabricadas o aprobadas por el fabricante original del equipo.

Usted es responsable de llevar su motor a un centro de reparación autorizado Sears tan pronto como aparezca el problema. Las reparaciones de garantía deberán terminarse en un período de tiempo razonable, que no exceda los 30 días.

Si tiene preguntas acerca de sus responsabilidades y derechos de garantía, deberá ponerse en contacto con su centro de servicio autorizado más cercano o llamar a Sears al 1-800-473-7247.

Fecha de Inicio de la Garantía

El período de la garantía comienza en la fecha de entrega del motor.

Duración del Cubrimiento

Sears garantiza al propietario inicial y a cada comprador subsecuente, que el motor está libre de defectos en materiales y mano de obra que puedan causar falla de la parte garantizada por un período de dos años.

QUE ESTA CUBIERTO

Reparación o Reemplazo de Partes

- La reparación o el reemplazo de cualquier parte garantizada se realizará sin ningún costo para el propietario en un centro de servicio aprobado Sears.

- Si tiene preguntas acerca de sus responsabilidades y derechos de garantía, deberá ponerse en contacto con su centro de servicio autorizado más cercano o llamar a Sears al 1-800-473-7247.

Período de Garantía

Cualquier parte garantizada que no haya sido programada para reemplazo como mantenimiento requerido, o que esté programada únicamente para inspección bajo la condición de "repare o reemplace cuando sea necesario", será garantizada por 2 años. Cualquier parte garantizada que esté programada para reemplazo según el mantenimiento requerido será garantizada por el período de tiempo hasta su primer reemplazo programado.

Diagnóstico

No se le cobrará al propietario los costos del trabajo diagnóstico que lleve a la conclusión de que la parte garantizada es defectuosa, si dicho trabajo diagnóstico es hecho en un centro de servicio Sears aprobado.

Daños Consecuenciales

Sears puede ser responsable por daños a otros componentes del motor causados por la falla de una parte garantizada que aún está bajo garantía.

QUE NO ESTA CUBIERTO

No serán cubiertas las fallas causadas por abuso, negligencia o mantenimiento inadecuado.

Partes Agregadas o Modificadas

El uso de partes agregadas o modificadas puede ser motivo suficiente para negar reclamos bajo garantía. Sears no es responsable de cubrir fallas de partes garantizadas causadas por el uso de partes agregadas o modificadas.

Cómo Presentar un Reclamo

Si tiene preguntas acerca de sus responsabilidades y derechos de garantía, deberá ponerse en contacto con su centro de servicio autorizado más cercano o llamar a Sears al 1-800-473-7247.

Donde se Obtiene el Servicio de Garantía

Las reparaciones o servicios de garantía serán proporcionados en todos los centros de servicio autorizados Sears.

Mantenimiento, Reemplazo y Reparación de Partes Relacionadas con Emisiones

Cualquier repuesto aprobado por Sears usado en la realización de cualquier mantenimiento o reparación de garantía en partes relacionadas con las emisiones, será suministrado sin costo alguno al propietario si la parte está bajo garantía.

Lista de Partes en Garantía del Control de Emisiones

1. Conjunto del carburador
2. Sistema de ignición
 - a. Bujía, cubierta hasta el programa de mantenimiento.
 - b. Módulo de ignición
3. Tubo del respiradero de la caja del cigüeñal
4. Múltiple de escape

For in-home major brand repair service:

Call 24 hours a day, 7 days a week

1-800-4-MY-HOMESM (1-800-469-4663)

Para pedir servicio de reparación a domicilio - 1-800-676-5811

In Canada for all your service and parts needs call - **1-800-665-4455**
Au Canada por tout le service ou les pièces

For the repair or replacement parts you need:

Call 7 am - 7 pm, 7 days a week

1-800-366-PART (1-800-366-7278)

Para ordenar piezas con entrega a domicilio - 1-800-659-7084

For the location of a Sears Parts and Repair Center in your area:

Call 24 hours a day, 7 days a week

1-800-488-1222

**For information on purchasing a Sears Maintenance Agreement
or to inquire about an existing Agreement:**

Call 9 am - 5 pm, Monday - Saturday

1-800-827-6655



The Service Side of SearsSM