



Freezer

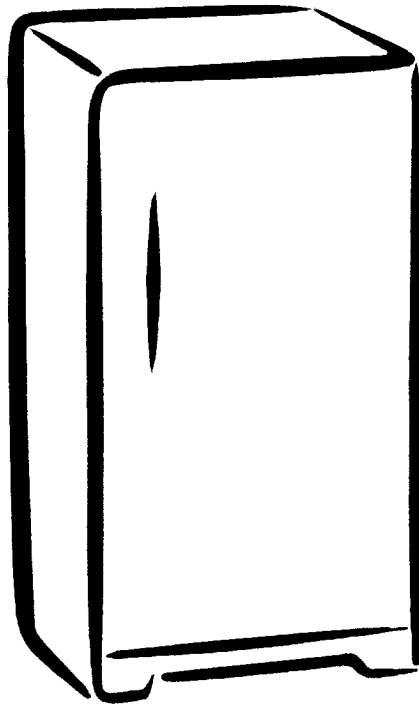
Use & Care Guide

Congelador

Guía para su uso y cuidado

Congélateur

Guide d'utilisation et d'entretien



ENGLISH

ESPAÑOL

FRANÇAIS

Sears, Roebuck and Co., Hoffman Estates, IL 60179 U.S.A.
Sears Canada, Inc., Toronto, Ontario, Canada M5B 2B8

www.sears.com
216857200 (0203)

TABLE OF CONTENTS

Record Serial/Model Numbers	2
Safety	2-3
Warranty	3
Canada - Limited Warranty	4
First Steps	5-6
Energy Saving Tips	6
Setting the Temperature Control	6
Freezer Features	7-8
Care and Cleaning	8
Power Failure / Freezer Failure	8
Troubleshooting Guide	9-10
Sears Service	11
Sears Canada Customers	11

SERIAL / MODEL NUMBERS

READ AND SAVE THESE INSTRUCTIONS

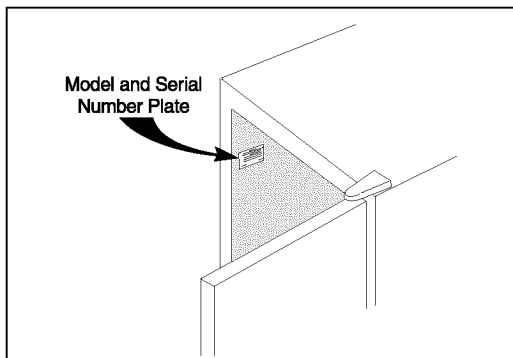
This Owner's Guide provides specific operating instructions for your model. Use your freezer only as instructed in this guide. These instructions are not meant to cover every possible condition and situation that may occur. Common sense and caution must be practiced when installing, operating, and maintaining any appliance.

Record Your Model and Serial Numbers

Record the model and serial numbers in the space provided below. The serial plate is located on the upper left wall inside the freezer.

Model Number: _____
253. _____
 or
970. _____
Serial Number: _____

Purchase Date: _____



IMPORTANT SAFETY INSTRUCTIONS

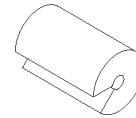
READ ALL INSTRUCTIONS BEFORE USING THIS FREEZER.

⚠ WARNING FOR YOUR SAFETY

Do not store or use gasoline, or other flammable vapors and liquids in the vicinity of this or any other appliance. Read product labels for flammability and other warnings.

⚠ WARNING CHILD SAFETY

- Destroy carton, plastic bags, and any exterior wrapping material immediately after the freezer is unpacked. Children should never use these items to play. Cartons covered with rugs, bedspreads, plastic sheets or stretch wrap may become airtight chambers, and can quickly cause suffocation.
- Remove all staples from the carton. Staples can cause severe cuts, and destroy finishes if they come in contact with other appliances or furniture.
- An empty, discarded ice box, refrigerator, or freezer is a very dangerous attraction to children.
- Remove and discard any spacers used to secure the shelves during shipping. Small objects are a choke hazard to children.



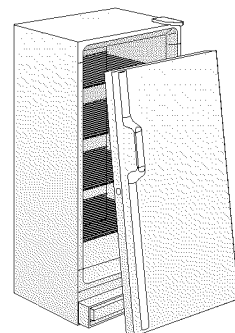
Remove the door(s) of any appliance that is not in use, even if it is being discarded.

Proper Disposal of Your Refrigerator/Freezer

⚠ WARNING Risk of child entrapment. Child entrapment and suffocation are not problems of the past. Junked or abandoned refrigerators or freezers are still dangerous — even if they will sit for "just a few days." If you are getting rid of your old refrigerator or freezer, please follow the instructions below to help prevent accidents.

BEFORE YOU THROW AWAY YOUR OLD REFRIGERATOR/FREEZER:

- Remove doors.
- Leave shelves in place so children may not easily climb inside.



⚠ WARNING ELECTRICAL INFORMATION

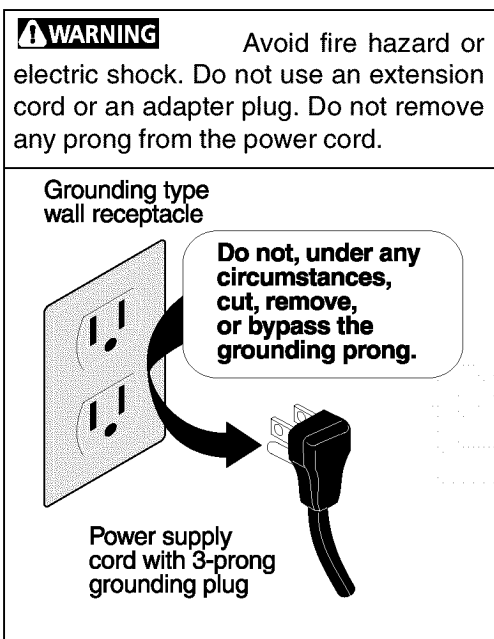
These guidelines must be followed to ensure that safety mechanisms in the design of this freezer will operate properly.

- **Refer to the serial plate for correct electrical rating.**
The power cord of the appliance is equipped with a three-prong grounding plug for your protection against shock hazards. It must be plugged directly into a properly grounded three-prong receptacle, protected with a 15 amp time delay fuse or circuit breaker. The receptacle must be installed in accordance with local codes and ordinances. Consult a qualified electrician. Receptacles protected by Ground Fault Circuit Interrupters (GFCI) are **NOT RECOMMENDED**. **Do not use an extension cord or adapter plug.**
- If voltage varies by 10% or more, freezer performance may be affected. Operating freezer with insufficient power can damage the motor. Such damage is not covered under the warranty. If you suspect your household voltage is high or low, consult your power company for testing.
- To prevent the freezer from being turned off accidentally, do not plug unit into an outlet controlled by a wall switch or pull cord.
- Do not pinch, knot, or bend the cord in any manner.

OTHER PRECAUTIONS

- Never unplug the freezer by pulling on the cord. Always grip the plug firmly, and pull straight out from the receptacle.

NOTE: Turning the temperature control to OFF turns off the compressor, but does not disconnect the power to the light bulb or other electrical components.



FREEZER WARRANTY

FULL ONE-YEAR WARRANTY ON FREEZER

For one year from the date of purchase, when this freezer is operated and maintained according to the instructions provided in this Owner's Guide, Sears will repair this freezer, free of charge, if defective in material or workmanship.

FULL FIVE-YEAR WARRANTY ON SEALED REFRIGERATION SYSTEM

For five years from the date of purchase, when this freezer is operated and maintained according to the instructions provided in this Owner's Guide, Sears will repair the sealed system (consisting of refrigerant, connecting tube, and compressor), free of charge, if defective in material or workmanship.

The above freezer warranty applies only to freezers which are used for storage of food for private household purposes.

FOOD LOSS COVERAGE LIMITATION

If promptly reported to your nearest Sears store or Service Center, Sears will reimburse you up to a total of \$100.00 for the value of food, as verified by Sears, lost while stored in the freezer when used for private household purposes as a result of:

1. Defects that occur during the first year following the date of purchase.
2. Failure of the sealed refrigeration system (including refrigerant, connecting tubing, and compressor), due to defects that occur during the second through fifth year after purchase. If freezer is used for other than private household purposes, Sears will not be responsible for any food loss. Food losses resulting from other than the above stated defects, such as natural spoilage, power interruption, inadequate power, manual disconnect of power supply, fire damage, water damage, theft, etc., are beyond our control and are not covered by Sears. Some states do not allow the exclusion or limitation of incidental or consequential damages, so the above limitation or exclusion may not apply to you. This warranty gives you specific legal rights, and you may have other rights which vary from state to state.

Warranty service is available by contacting the **NEAREST SEARS SERVICE CENTER/DEPARTMENT** in the United States. See the back page of this manual.

Sears, Roebuck and Co.
Dept. 817WA
Hoffman Estates, IL 60179

CANADA — LIMITED WARRANTY



Freezers

Sears Canada Inc., warrants every new *Kenmore Elite* freezer to be free from defects in material or workmanship. What Sears will do, free of charge, in case of defect:

What is covered?	How long warranted? (from date of sale)	Parts: At Sears' option, either repair or supply replacement part for:	Labor: Install repaired or replacement part for:
The Compressor	TEN (10) YEARS	TEN (10) YEARS	FIVE (5) YEARS
The Sealed System (consisting of refrigerant, evaporator, and condenser)	FIVE (5) YEARS	FIVE (5) YEARS	FIVE (5) YEARS
All other parts or adjustments	ONE (1) YEAR	ONE (1) YEAR	ONE (1) YEAR

Normal Responsibility of the Customer

The following items, since they are not manufacturing defects, are not included in the warranty, but are the responsibility of the customer:

- 1) Damage to finish after delivery.
- 2) Improper power supply, low voltage, or any defects in the house wiring system or appliance not connected to electric outlet.
- 3) Replacement of light bulbs.
- 4) Damage caused by moving the product from its original installation.
- 5) Service required as a result of alteration, abuse, fire, floods, or acts of God.
- 6) Providing adequate air circulation to the refrigerating system.
- 7) Proper use and care of product as listed in the customer's manual; proper setting of the controls.

If any service is required under this warranty, simply call **1-800-4-MY-HOMESM** (1-800-469-4663).

This warranty is in addition to any statutory warranty. The above warranty covers *Kenmore Elite* Freezers sold and operated in Canada only and shall not apply if the freezer is used for other than domestic purposes.

Sears Maintenance Agreement

Maintain the value of your *Kenmore Elite* freezer with a Sears Maintenance Agreement.

SEARS CANADA INC. • Toronto, Canada • M5B 2B8

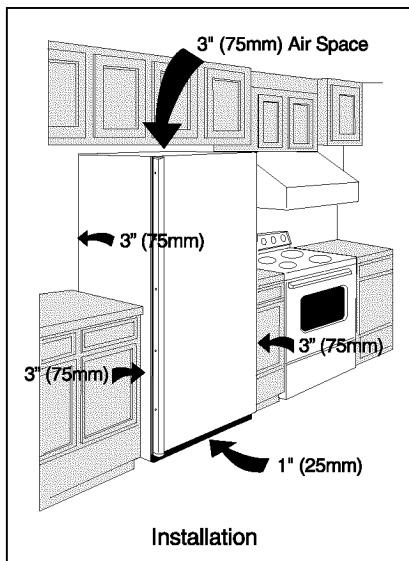
ENGLISH

FIRST STEPS

This Owner's Guide provides specific operating instructions for your model. Use the freezer only as instructed in this Owner's Guide. **Before starting the freezer, follow these important first steps.**

INSTALLATION

- Choose a place that is near a grounded electrical outlet. **Do Not** use an extension cord or an adapter plug.
- For the most efficient operation, the freezer should be located where surrounding temperatures will not exceed 110°F (43°C). Temperatures of 32°F (0°C) and below will NOT affect freezer operation. Additional compressor heaters are not recommended.
- *Allow space around the unit for good air circulation.* Leave a 3 inch (75 mm) space on all sides of the freezer for adequate circulation.

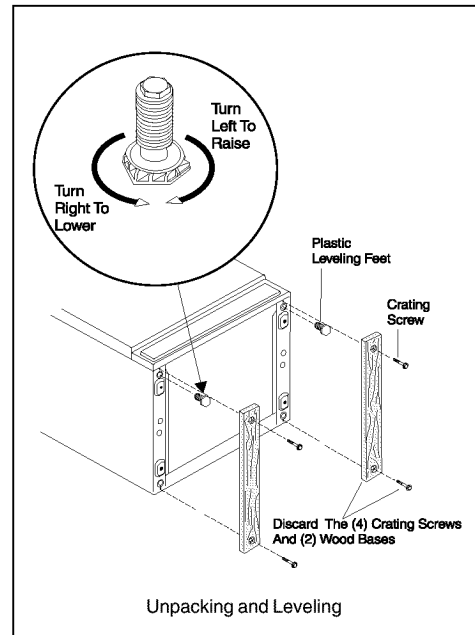


NOTE: The exterior walls of the freezer may become quite warm as the compressor works to transfer heat from the inside. Temperatures as much as 30° F warmer than room temperature can be expected. For this reason it is particularly important in hotter climates to allow enough space for air circulation around your freezer.

LEVELING

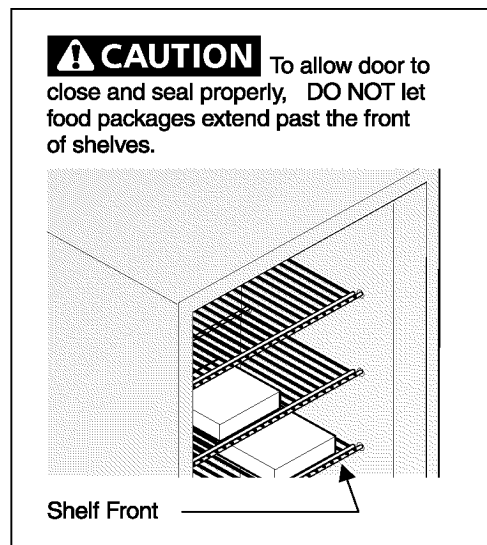
The freezer must have all bottom corners resting firmly on a solid floor. The floor must be strong enough to support a fully loaded freezer. **NOTE:** It is VERY IMPORTANT for your freezer to be level in order to function properly. If the freezer is not leveled during installation, the door may be misaligned and not close or seal properly, causing cooling, frost, or moisture problems.

After discarding crating screws and wood base, use a carpenter's level to level the freezer from front-to-back. Adjust the plastic leveling feet in front, ½ bubble higher, so that the door closes easily when left halfway open.



CLEANING

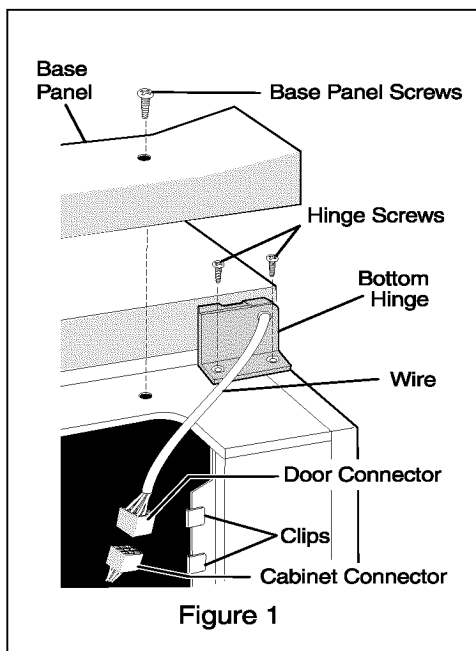
- Wash any removable parts, the freezer interior, and exterior with mild detergent and warm water. Wipe dry. **DO NOT USE HARSH CLEANERS ON THESE SURFACES.**
- Do not use razor blades or other sharp instruments, which can scratch the appliance surface when removing adhesive labels. Any glue left from the tape can be removed with a mixture of warm water and mild detergent, or touch the residue with the sticky side of tape already removed. **DO NOT REMOVE THE SERIAL PLATE.**



DOOR REMOVAL

If door must be removed:

1. Gently lay freezer on its back, on a rug or blanket.
2. Remove two base screws and base panel. Remove wire from clips on bottom of cabinet. (Figure 1)
3. Unplug connector by holding the cabinet connector in place, and pulling door connector out. (Figure 1)
4. Remove bottom hinge screws. (Figure 1)
5. Remove plastic top hinge cover.
6. Remove screws from top hinge.
7. Remove top hinge from cabinet.
8. Remove door and bottom hinge from cabinet.
9. To replace door, reverse the above order and securely tighten all screws to prevent hinge slippage.



ENERGY SAVING TIPS



- The freezer should be located in the coolest area of the room, away from heat producing appliances or heating ducts, and out of direct sunlight.
- Let hot foods cool to room temperature before placing in the freezer. Overloading the freezer forces the compressor to run longer. Foods that freeze too slowly may lose quality or spoil.
- Be sure to wrap foods properly, and wipe containers dry before placing them in the freezer. This cuts down on frost build-up inside the freezer.
- Freezer shelves should not be lined with aluminum foil, wax paper, or paper toweling. Liners interfere with cold air circulation, making the freezer less efficient.
- Organize and label food to reduce door openings and extended searches. Remove as many items as needed at one time, and close the door as soon as possible.

SETTING THE TEMPERATURE CONTROL

COOL DOWN PERIOD

- For safe food storage, allow 4 hours for the freezer to cool down completely. The freezer will run continuously for the first several hours. Foods that are already frozen may be placed in the freezer after the first few hours of operation. Unfrozen foods should NOT be loaded into the freezer until the freezer has operated for 4 hours.
- When loading the freezer, freeze only 3 pounds of fresh food per cubic foot of freezer space at one time. Distribute packages to be frozen evenly throughout the freezer. It is not necessary to turn the control knob to a colder setting while freezing food.

TEMPERATURE CONTROL

The temperature control is located inside the freezer compartment. The temperature is factory preset to provide satisfactory food storage temperatures. However, the temperature control is adjustable to provide a range of temperatures for your personal satisfaction. If a colder temperature is desired, turn the temperature control knob toward **COLDEST** and allow several hours for temperatures to stabilize between adjustments.

FREEZER FEATURES

NOTE: Your freezer has all of the features listed below. Become familiar with these features, and their use and care.

SECURITY LOCK WITH POP-OUT KEY

This security lock fastens the door snugly, ensuring stored food is secure. To lock or unlock the freezer, push the key into the lock and turn. The key pops out of the lock after it has been turned.

POWER ON LIGHT

The yellow *Power On* indicator light indicates that the freezer is properly connected to electrical power. The light glows even when the temperature control is turned to OFF. If the light goes out, refer to *Freezer Does Not Run* Section in the **Troubleshooting Guide**. If the freezer appears to be operating, the light element may be burned out. Call an authorized servicer for replacement.

TEMP ALARM

This feature is designed to provide a warning if the inside temperatures reach an unsafe level. The Temp. Alarm Feature operates on household electricity. It will not function if household electricity is interrupted.

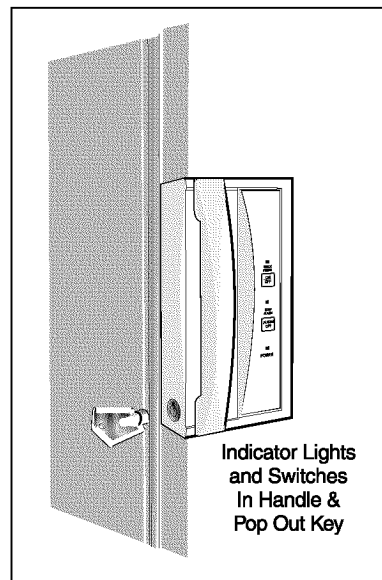
When the freezer is initially plugged in, the red Temp. Alarm Indicator Light blinks. The indicator light will continue to blink until the freezer has reached a safe freezing temperature. If a malfunction causes an unsafe temperature inside the freezer, the red light will blink and the buzzer will sound. To silence the buzzer, press the ALARM OFF button. The Indicator Light will continue to blink until a safe freezing temperature is again reached.

If the ALARM OFF button is not pressed, the buzzer will turn itself off automatically after 48 hours, but the red Temp Alarm Light will continue to blink.

Temp Alarm Indicator Light	Function
Light out, silent buzzer	Normal operation
Blinking RED light, silent buzzer	Initial installation or extended power outage indicates warm temperature.
Blinking RED light, buzzer sounding	Warm temperature condition. To silence buzzer, press TEMP. ALARM OFF button. See Troubleshooting Guide for possible problems.

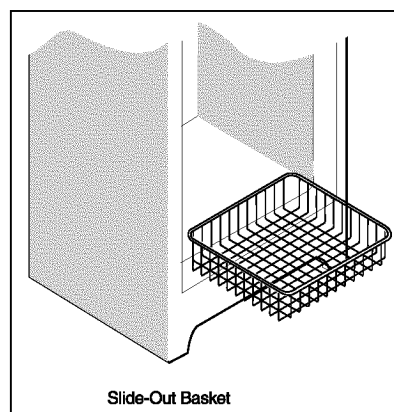
QUICK FREEZE

To activate the Quick Freeze feature, push the switch to the ON position. The green light will appear, and the freezer will run continuously (except when in Flash Defrost), driving freezer temperature to the coldest possible temperatures. The switch automatically turns off after 72 hours. Use this feature just prior to adding large quantities of unfrozen foods (not to exceed 3 pounds per cubic foot of freezer space).



SLIDE-OUT BASKET

A Slide-Out Basket, located at the bottom of the freezer, provides separate storage space for items that are difficult to store on freezer shelves. To remove the basket, pull out and lift up.

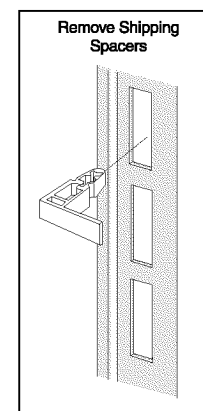


INTERIOR LIGHT

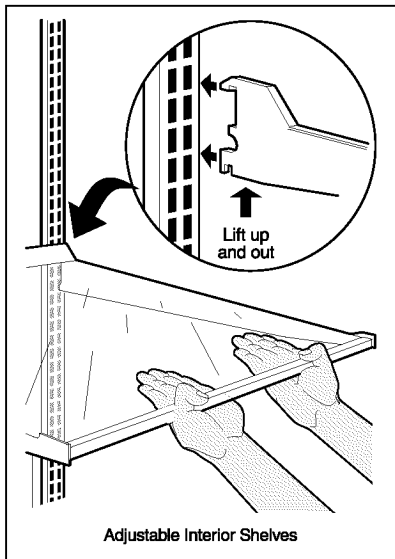
The light comes on automatically when the door is opened. To replace the light bulb, turn the temperature control to OFF and **unplug the electrical cord**. Replace the old bulb with a bulb of the same wattage.

ADJUSTABLE INTERIOR SHELVES

Multi-position adjustable interior shelves can be moved to any position for larger or smaller packages. The shipping spacers that stabilize the shelves for shipping may be removed and discarded.

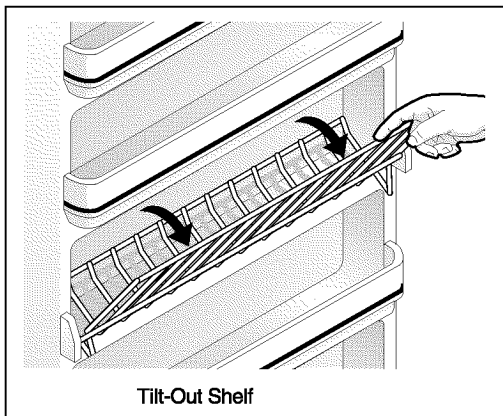


ENGLISH



TILT-OUT SHELF

This shelf is located inside on the freezer door and provides additional storage space. To access an item, tilt top of “basket” shelf down.



CARE AND CLEANING

CAUTION Damp objects stick to cold metal surfaces. Do not touch interior metal surfaces with wet or damp hands.

Although this is a frost-free freezer and defrosts automatically, it should be cleaned occasionally.

CLEANING THE INSIDE

After defrosting, wash inside surfaces of the freezer with a solution of two tablespoons of baking soda in one quart (1.136 litres) warm water. Rinse and dry. Wring excess water out of the sponge or cloth when cleaning in the area of the controls, or any electrical parts.

Wash the removable parts and door basket with the baking soda solution mentioned above, or mild detergent and warm water. Rinse and dry. **Never** use metallic scouring pads, brushes, abrasive cleaners, or alkaline solutions on any surface. Do not wash removable parts in a dishwasher.

CLEANING THE OUTSIDE

Wash the cabinet with warm water and mild liquid detergent. Rinse well and wipe dry with a clean soft cloth. Replace parts and food.

WARNING If leaving the freezer door open while on vacation, make certain that children cannot get into the freezer and become entrapped.

VACATION AND MOVING TIPS

Short Vacations:

Leave the freezer operating during vacations of less than three weeks.

Long Vacations:

If the freezer will not be used for several months:

- Remove all food and unplug the power cord.
- Clean and dry the interior thoroughly.
- Leave the freezer door open slightly, blocking it open if necessary, to prevent odor and mold growth.

Moving: When moving the freezer, follow these guidelines to prevent damage:

- Disconnect the power cord plug from the wall outlet.
- Remove foods, then defrost, and clean the freezer.
- Secure all loose items such as base panel, baskets, and shelves by taping them securely in place to prevent damage.
- In the moving vehicle, secure freezer in an upright position to prevent movement. Also protect outside of freezer with a blanket, or similar item.

POWER FAILURE / FREEZER FAILURE

NOTE: Do not open freezer door unnecessarily if freezer is off for several hours.

If a power failure occurs, frozen foods will stay frozen for at least 24 hours if the freezer is kept closed. If the power failure continues, pack seven or eight pounds of dry ice into the freezer every 24 hours. Look in the Yellow Pages under *Dry Ice, Dairies, or Ice Cream Manufacturers* for local dry ice suppliers. Always wear gloves and use caution when handling dry ice.

If the freezer has stopped operating, see *Freezer Does Not Run* in the **Troubleshooting Guide**. If you cannot solve the problem, call an authorized servicer immediately.

If the freezer remains off for several hours, follow the directions above for the use of dry ice during a power failure. If necessary, take the food to a local locker plant until the freezer is ready to operate. Look in the Yellow Pages under *Frozen Food Locker Plants*.

TROUBLESHOOTING GUIDE		Before calling for service, review this list. It may save you time and expense. This list includes common occurrences that are not the result of defective workmanship or materials in this appliance.	
PROBLEM	CAUSE	CORRECTION	
FREEZER DOES NOT RUN			
Freezer does not run.	<ul style="list-style-type: none"> Freezer is plugged into a circuit that has a ground fault interrupt. Temperature control is in the OFF position. Freezer may not be plugged in, or plug may be loose. House fuse blown or tripped circuit breaker. Power outage. 	<ul style="list-style-type: none"> Use another circuit. If you are unsure about the outlet, have it checked by a certified technician. See Setting the Temperature Control Section. Ensure plug is tightly pushed into outlet. Check/replace fuse with a 15 amp time-delay fuse. Reset circuit breaker. Check house lights. Call local Electric Company. 	
Freezer runs too much or too long.	<ul style="list-style-type: none"> Room or outside weather is hot. Freezer has recently been disconnected for a period of time. Large amounts of warm or hot food have been stored recently. Doors are opened too frequently or too long. Freezer door may be slightly open. Temperature Control is set too low. Freezer gasket is dirty, worn, cracked, or poorly fitted. 	<ul style="list-style-type: none"> It's normal for the freezer to work harder under these conditions. It takes 4 hours for the freezer to cool down completely. Warm food will cause freezer to run more until the desired temperature is reached. Warm air entering the freezer causes it to run more. Open doors less often. See "DOOR PROBLEMS" Section. Turn control knob to a warmer setting. Allow several hours for the temperature to stabilize. Clean or change gasket. Leaks in the door seal will cause freezer to run longer in order to maintain desired temperature. 	
Interior Freezer temperature is too cold.	<ul style="list-style-type: none"> Temperature Control is set too low. 	<ul style="list-style-type: none"> Turn the control to a warmer setting. Allow several hours for the temperature to stabilize. 	
Interior Freezer temperature is too warm.	<ul style="list-style-type: none"> Temperature Control is set too warm. Door is kept open too long or is opened too frequently. Door may not be seating properly. Large amounts of warm or hot food may have been stored recently. Freezer has recently been disconnected for a period of time. 	<ul style="list-style-type: none"> Turn control to a colder setting. Allow several hours for the temperature to stabilize. Warm air enters the freezer every time the door is opened. Open the door less often. See "DOOR PROBLEMS" Section. Wait until the freezer has had a chance to reach its selected temperature. Freezer requires 4 hours to cool down completely. 	
Freezer external surface temperature is warm.	<ul style="list-style-type: none"> The external freezer walls can be as much as 30°F warmer than room temperature. 	<ul style="list-style-type: none"> This is normal while the compressor works to transfer heat from inside the freezer cabinet. 	
SOUND AND NOISE			
Louder sound levels whenever freezer is on.	<ul style="list-style-type: none"> Modern freezers have increased storage capacity and more stable temperatures. They require a high efficiency compressor. 	<ul style="list-style-type: none"> This is normal. When the surrounding noise level is low, you might hear the compressor running while it cools the interior. 	
Longer sound levels when compressor comes on.	<ul style="list-style-type: none"> Freezer operates at higher pressures during the start of the ON cycle. 	<ul style="list-style-type: none"> This is normal. Sound will level off or disappear as freezer continues to run. 	

PROBLEM	CAUSE	CORRECTION
SOUND AND NOISE (Cont.)		
Popping or cracking sound when compressor comes on.	<ul style="list-style-type: none"> • Metal parts undergo expansion and contraction, as in hot water pipes. 	<ul style="list-style-type: none"> • This is normal. Sound will level off or disappear as freezer continues to run.
Bubbling or gurgling sound, like water boiling.	<ul style="list-style-type: none"> • Refrigerant (used to cool freezer) is circulating throughout the system. 	<ul style="list-style-type: none"> • This is normal.
Vibrating or rattling noise.	<ul style="list-style-type: none"> • Freezer is not level. It rocks on the floor when it is moved slightly. • Floor is uneven or weak. Freezer rocks on floor when it is moved slightly. • Freezer is touching the wall. 	<ul style="list-style-type: none"> • Level the unit. Refer to "Leveling" in the First Steps Section. • Ensure floor can adequately support freezer. Level the freezer by putting wood or metal shims under part of the freezer. • Relevel the freezer or move freezer slightly. Refer to "Leveling" in the First Steps Section.
WATER/MOISTURE/IFROST INSIDE FREEZER		
Moisture forms on inside freezer walls.	<ul style="list-style-type: none"> • Weather is hot and humid, which increases internal rate of frost build-up. • Door may not be seating properly. • Door is kept open too long, or is opened too frequently. 	<ul style="list-style-type: none"> • This is normal. • See "DOOR PROBLEMS" Section. • Open the door less often.
WATER/MOISTURE/IFROST OUTSIDE FREEZER		
Moisture forms on outside of freezer.	<ul style="list-style-type: none"> • Door may not be seating properly, causing the cold air from inside the freezer to meet warm moist air from outside. 	<ul style="list-style-type: none"> • See "DOOR PROBLEMS" Section.
ODOR IN FREEZER		
Odors in freezer	<ul style="list-style-type: none"> • Interior needs to be cleaned. • Foods with strong odors are in the freezer. 	<ul style="list-style-type: none"> • Clean interior with sponge, warm water, and baking soda. • Cover the food tightly.
DOOR PROBLEMS		
Door will not close.	<ul style="list-style-type: none"> • Freezer is not level. It rocks on the floor when it is moved slightly. • Floor is uneven or weak. Freezer rocks on floor when it is moved slightly. 	<ul style="list-style-type: none"> • This condition can force the cabinet out of square and misalign the door. Refer to "Leveling" in the First Steps Section. • Level the floor by using wood or metal shims under the freezer or brace floor supporting the freezer.
LIGHT BULB IS NOT ON		
Light bulb is not on.	<ul style="list-style-type: none"> • Light bulb is burned out. • No electric current is reaching the freezer. 	<ul style="list-style-type: none"> • Follow directions under "Interior Light" in the Freezer Features Section. • See "FREEZER DOES NOT RUN" Section.

SEARS SERVICE

"We Service What We Sell" is our assurance you can depend on Sears for service ...and Sears service is nationwide. Your freezer has added value when you consider that Sears has service units nationwide, staffed with professional technicians specifically trained on Sears appliances and having parts, tools and equipment to ensure that we meet our pledge to you..."We Service What We Sell."

SEARS MAINTENANCE AGREEMENT

Maintain the value of your *Kenmore Elite*® freezer with a Sears Maintenance Agreement. Sears freezers are designed, manufactured, and tested for years of dependable operation. Yet, any modern appliance may require service from time to time.

The Sears Maintenance Agreement

- Is your way to buy tomorrow's service at today's price.
- Eliminates repair bills resulting from normal use.
- Allows for as many service calls as required.
- Provides for service by professional Sears-trained technicians.
- Offers an annual preventive maintenance check-up at your request.

This maintenance agreement does not cover original installation, reinstallation, or damage resulting from external causes such as acts of God, abuse, theft, fire, flood, wind, lightning, freezing, power failure, power reduction, etc. Please ask a salesperson to see the agreement for all of the terms and conditions.

SEARS CANADA CUSTOMERS

Dear Customer:

In manufacturing this product, many steps have been taken to provide you with the highest quality. Unfortunately, errors or omissions occasionally occur. In the event you find a missing or defective part, please contact your nearest Sears store. (See the back cover for phone numbers.)

If you have any suggestions that would help us to improve our assembly/operation instructions or this product, please write them down, including the information listed below and mail to:

**Sears Canada, Inc. Attn: Buyer Dept. 646
222 Jarvis Street
Toronto, Ontario
M5B 2B8**

Purchased by:

Name: _____

Address: _____

City: _____ Prov.: _____

Postal Code: _____ Phone: _____

Model No.: 970. _____

Serial No.: _____

Date of Purchase ___/___/___

Location of Purchase _____

Comments: _____

ENGLISH

INDICE DE CONTENIDO

Número de modelo y el número de serie	1
Seguridad	1-2
Garantía del congelador	2
Canadá - Garantía limitada	3
Para comenzar	4-5
Sugerencias para el ahorro de energía	5
Ajuste del control de la temperatura	5
Características del congelador	6-7
Cuidado y limpieza	7
Falla de la corriente eléctrica/ falla del congelador	7
Lista de control de averías	8-9
Servicio Sears	10
Clientes de Sears Canadá	10

NÚMERO DE MODELO Y EL NÚMERO DE SERIE

LEA Y GUARDE ESTAS INSTRUCCIONES

Este Manual del Usuario contiene instrucciones específicas sobre el funcionamiento de este modelo. Se debe usar el congelador de acuerdo con las instrucciones contenidas en este Manual del Usuario. Las instrucciones que contiene este Manual del Usuario no cubren todas las condiciones y situaciones posibles que pudieran ocurrir. Siempre se debe usar el sentido común y la precaución al instalar, poner en funcionamiento y mantener cualquier aparato doméstico.

Registre el número de modelo y el número de serie

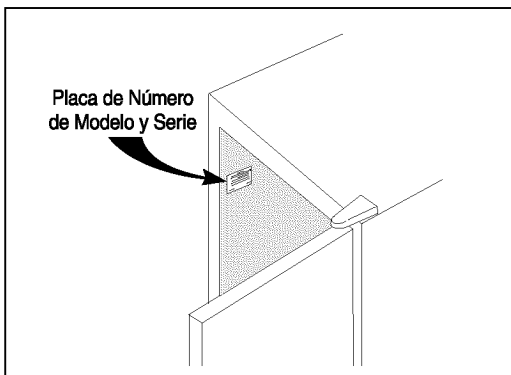
Registre el N° de Modelo y el N° de Serie en el espacio debajo. La placa con la serie está en la parte superior de la pared izquierda, dentro del congelador.

Número de Modelo: **253.** _____

o **970.** _____

Número de Serie: _____

Fecha de Compra: _____



INSTRUCCIONES IMPORTANTES DE SEGURIDAD

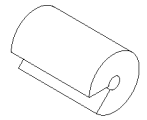
LEA TODAS LAS INSTRUCCIONES ANTES DE USAR ESTE CONGELADOR.

⚠ ADVERTENCIA PARA SU SEGURIDAD

No almacene o use gasolina u otros líquidos o vapores inflamables en la proximidad de este o cualquier otro artefacto. Lea las etiquetas de los productos para informarse sobre la inflamabilidad y otras advertencias.

⚠ ADVERTENCIA SEGURIDAD DE LOS NIÑOS

- Destruya la caja de cartón, las bolsas de plástico y cualquier material de empaque exterior inmediatamente después de que el refrigerador sea desempacado. Los niños no deben usar estos artículos para jugar. Las cajas de cartón cubiertas con alfombras, colchas o pedazos de plástico pueden convertirse en cámaras sin aire y causar asfixia.
- Saque todas las grapas de la caja de cartón. Las grapas pueden causar cortes graves y dañar los acabados si tienen contacto con otros artefactos o muebles.
- Una nevera, refrigerador o congelador que estén vacíos y hayan sido descartados, es una atracción muy peligrosa para los niños.
- Retire y deshágase de los espaciadores usados para asegurar y proteger los entrepaños, durante el transporte. Los objetos pequeños son peligrosos para los niños porque son fáciles de tragar y pueden causarles asfixia.



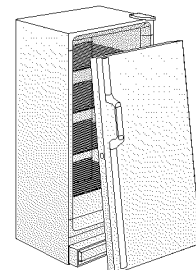
Saque la puerta de cualquier artefacto que no esté en uso, aún si está siendo descartado.

Proceso para disponer de su refrigerador o congelador

⚠ ADVERTENCIA Riesgos de entrapamiento de niños: Niños atrapados y sofocados no son un problema del pasado. Refrigeradores o congeladores abandonados siguen siendo un peligro un cuando sea "por unos cuantos días. Si usted está planeando en disponer de su refrigerador o congelador, por favor siga las instrucciones las cuales ayudaran a prevenir accidentes.

ANTES DE DESCARTAR SU REFRIGERADOR O CONGELADOR VIEJO :

- Remueva las puertas
- Deje las Bandejas instaladas. Estas limitan el acceso a los niños dentro del refrigerador o congelador



⚠ ADVERTENCIA INFORMACIÓN ELÉCTRICA

Estas indicaciones debe ser seguidas para asegurar de que los mecanismos de seguridad de este congelador funcionen correctamente.

- **Consulte la placa del número de serie para la potencia eléctrica correcta.** El cordón eléctrico del artefacto está equipado con un enchufe de puesta a tierra de tres clavijas para protección contra riesgos de choques eléctricos. Debe ser enchufado directamente en un tomacorriente de tres tomas debidamente puesto a tierra, protegido con un fusible de retardo de 15 amperes o un disyuntor. El tomacorriente debe ser instalado de acuerdo el Código Eléctrico Nacional y los códigos y reglamentos locales. Consulte a un electricista calificado. Receptores protegidos por interruptores de falta a tierra(GFCI) **NO SON RECOMENDADOS. NO use un cordón de extensión o un adaptador para el tomacorriente.**
- Si el voltaje varía en 10 por ciento o más, el rendimiento del congelador puede verse afectado. Si se hace funcionar el congelador con insuficiente energía se puede dañar el motor. Tal daño no está cubierto por la garantía. Si usted sospecha que el voltaje de su hogar es alto o bajo, consulte a su compañía de electricidad para que lo comprueben.
- Para evitar que el congelador sea apagado accidentalmente no lo enchufe en un tomacorriente controlado por un interruptor mural o una cuerda.
- No doble, anude o apriete el cordón eléctrico de ninguna manera.

OTRAS PRECAUCIONES

- Nunca desenchufe el congelador tirando del cordón eléctrico. Siempre sujete el enchufe firmemente y tire derecho hacia afuera del tomacorriente.

NOTA: Si gira el control a la posición OFF el compresor se apaga, pero no se desconecta la energía a los otros componentes eléctricos.

⚠ ADVERTENCIA Evite los riesgos de incendios o choques eléctricos. No use un cordón de extensión o un adaptador para el tomacorriente. No saque ninguna espiga del enchufe del cordón eléctrico.



GARANTÍA DEL CONGELADOR

GARANTÍA COMPLETA DE UN AÑO PARA EL CONGELADOR

Dentro de un año a partir de la fecha de compra, cuando este congelador es operado y mantenido para enfriamiento normal de habitaciones de acuerdo a las instrucciones en este manual del usuario, Sears reparará este congelador, gratis, si existe defecto de material o mano de obra.

GARANTÍA COMPLETA DE CINCO AÑOS EN EL SISTEMA DE REFRIGERACIÓN SELLADO

Durante cinco años a partir de la fecha de compra cuando este congelador es operado y mantenido de acuerdo a las instrucciones de este manual del usuario, Sears reparará el sistema de refrigeración sellado (que consiste en el refrigerante, tubo de conexión y compresor) gratuitamente, si existe defecto de material o mano de obra. La garantía indicada anteriormente se aplica solamente a los congeladores que han sido usados para conservación de alimentos en hogares privados solamente.

LIMITACIÓN DE LA GARANTÍA POR PÉRDIDA DE ALIMENTOS

Si informa oportunamente a su Centro de Servicio o Almacén Sears más cercano, Sears reembolsará hasta un total de \$100.00 del valor de alimentos, según lo verifique Sears, perdidos durante almacenamiento en el congelador cuando es usado en hogares privados como resultado de:

1. Defectos que ocurran durante el primer año a partir de la fecha de compra.
2. Falla del sistema de refrigeración sellado (incluyendo refrigerante, tubería de conexión y compresor) debido a defectos que ocurran durante el segundo hasta el quinto año después de la compra. Si el congelador es usado para otros propósitos que no sea la conservación de alimentos en hogares privados, Sears no se hará responsable de ninguna pérdida de alimento. Las pérdidas de alimentos que resulten de otras causas que no sean los defectos indicados anteriormente, tales como descomposición natural, interrupción de la energía eléctrica, energía eléctrica inadecuada, desconexión manual de la energía eléctrica, daño a causa de incendio, daño por agua, robo, etc., están fuera de nuestro control y no están cubiertas por la garantía de Sears. Algunos estados no permiten la exclusión o limitación de daños incidentales o consecuentes, por tanto la limitación o exclusión anterior puede que no se aplique en su caso. Esta garantía le otorga derechos legales específicos y usted puede tener otros derechos que varían de un estado a otro.

Contacte el Centro De Servicio Sears en los Estados Unidos mas proximo a usted para cualquier servicio de garantía. Refiera la ultima pagina de este manual.

Para informacion sobre garantías, por favor contacte la siguiente direccion:

Sears, Roebuck and Co.
Dept. 817WA
Hoffman Estates, IL 60179

CANADÁ — GARANTÍA LIMITADA



Congelador

Sears Canadá Inc., garantiza que cada congelador *Kenmore Elite* nuevo sea libre de defectos de material o fabricación. Sears hará lo siguiente, gratuito, en el caso un defecto:

¿Que incluye?	¿Durante cuánto tiempo se garantiza? (Desde la fecha de compra)	Partes: A la opción de Sears, reparar o reemplazar una parte por:	Mano de obra: Instalar la parte reparada o la parte de reemplazo por:
El compresor	DIEZ (10) AÑOS	DIEZ (10) AÑOS	CINCO (5) AÑOS
El sistema sellado (consistiendo del refrigerante, evaporador, y condensador)	CINCO (5) AÑOS	CINCO (5) AÑOS	CINCO (5) AÑOS
Todas las otras partes y ajustes	UN (1) AÑO	UN (1) AÑO	UN (1) AÑO

Responsabilidades Normales del Cliente

Las cosas siguientes, como no son defectos de fabricación, no son incluidas en la garantía, sino son la responsabilidad del cliente:

- 1) Daños al acabamiento después de la entrega.
- 2) Fuente de energía inadecuada, voltaje inadecuado, o cualquier defectos del sistema eléctrico de la casa o el aparato no conectado a un tomacorriente.
- 3) Reemplazo de ampolletas.
- 4) Daños causados por mover el aparato de su sitio de instalación original.
- 5) Servicio requerido como resultado de alteración, abuso, incendio, inundada, o desastres naturales.
- 6) Asegurarse de que circulación de aire adecuada sea disponible al sistema de refrigeración.
- 7) Cuidad y uso apropiados del artefacto, como se detalla en el Manual del Usuario; colocación de los controles apropiada.

Si se requiere algún servicio bajo ésta garantía, sencillamente llame al **1-800-4-MY-HOMESM** (1-800-469-4663).

Esta garantía es establecida en adición a cualquier garantía estatuida. La garantía arriba cubre los congeladores *Kenmore Elite* vendidos y operados en el Canadá único y no aplica sí el congelador se usa para propósitos no domésticos.

Convenio de Mantenimiento Sears

Mantenga el valor de su congelador *Kenmore Elite* con un Convenio de Mantenimiento Sears.

SEARS CANADA INC. • Toronto, Canada • M5B 2B8

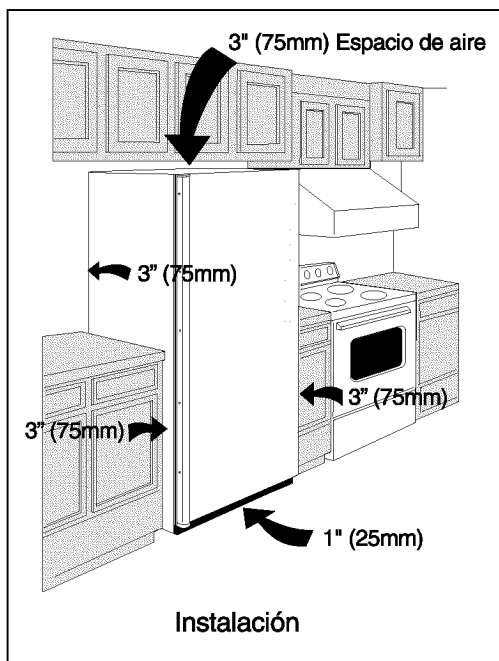
IMPRESO EN EE.UU.

PARA COMENZAR

Este Manual del Usuario contiene instrucciones de funcionamiento generales para su congelador. **Antes de poner marcha el congelador, siga estas importantes indicaciones.**

INSTALACIÓN

- Seleccione un lugar que esté cerca de un tomacorriente eléctrico puesto a tierra. **No** use un cordón de extensión o un adaptador de enchufe.
- Para una operación más eficiente, el congelador debe estar situado donde la temperatura ambiente no será superior a 110°F (43°C). Las temperaturas de 32° F (0°C) no afectarán el funcionamiento del congelador. No se recomiendan los calefactores de compresores.
- *Deje espacio alrededor del artefacto para una buena circulación del aire.* Deje un espacio de 3" (75 mm) en todos los lados del congelador para circulación adecuada.

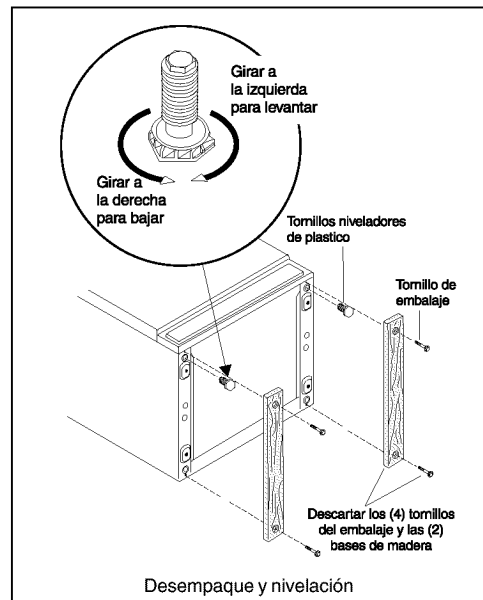


NOTA: Las paredes exteriores del congelador pueden ponerse bastante calientes mientras el compresor trabaja para sacar el calor interno. Se puede esperar que se produzcan temperaturas hasta 30°F más altas que la temperatura ambiental. Por esta razón, es particularmente importante, en climas más cálidos, permitir suficiente espacio para que el aire circule alrededor de su congelador.

NIVELACIÓN

El congelador debe tener los cuatro pies (puntas inferiores) firmemente plantados en un piso sólido. El piso debe ser lo suficientemente fuerte para resistir el congelador completamente cargado. **NOTA:** Es muy importante que su congelador este nivelado para un propio funcionamiento. Si no ha sido nivelado durante la instalación, la puerta va a estar desalineada la cual no tendrá un sello seguro produciendo problemas de enfriamiento, escarcha, y humedad.

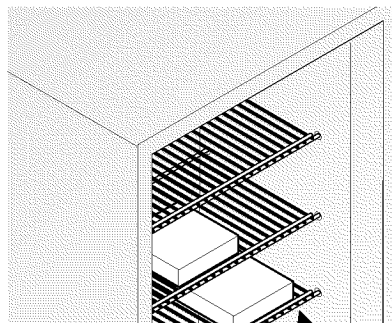
Después de desasarse de la montura de madera y sus tornillos, use un nivel de carpintería para nivelar el congelador de frente a atrás. Ajuste los pies de plástico de el frente ½ burbuja alta; de esa manera la puerta cerrará fácilmente cuando es dejada a medio abrir.



LIMPIEZA

- Lave todas las piezas removibles y el interior y el exterior con un detergente suave y agua tibia. Secar bien. **NO USE LIMPIADORES ABRASIVOS EN ESTAS SUPERFICIES.**
- No use hojas de afeitar ni otros instrumentos afilados para sacar las etiquetas adhesivas pues puede rallar la superficie del artefacto. Cualquier resto de goma de las etiquetas o de la etiqueta sobre energía puede ser sacado con una mezcla de agua tibia y detergente suave o despegar el residuo con el lado adhesivo de la etiqueta que ya ha sido sacada. **NO SAQUE LA PLACA CON EL NUMERO DE SERIE.**

PRECAUCIÓN Para permitir que la puerta cierre herméticamente, no coloque los paquetes sobresaliendo más allá de las parrillas.

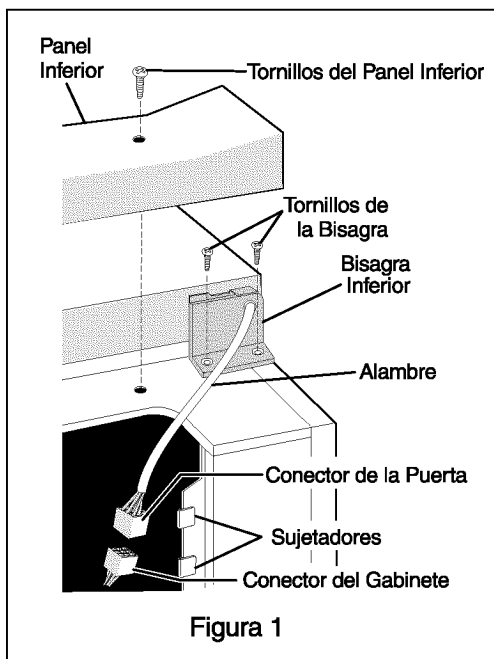


Parrillas más allá

Desmontaje de la Puerta

Si es necesario desmontar la puerta:

1. Coloque suavemente el congelador sobre la parte trasera, en una alfombra o manta.
2. Retire los dos tornillos del panel inferior y el panel inferior. Retire el alambre de los clips situados en la parte inferior del gabinete. (Figura 1)
3. Desenchufe el conector sujetando el conector del gabinete en su lugar y tirando hacia afuera el conector de la puerta. (Figura 1)
4. Retire los tornillos de la bisagra inferior. (Figura 1)
5. Retire la cubierta de plástico de la bisagra superior.
6. Retire los tornillos de la bisagra superior.
7. Retire del gabinete la bisagra superior.
8. Retire del gabinete la puerta y la bisagra inferior.
9. Para volver a colocar la puerta, invierta el procedimiento anterior y apriete firmemente todos los tornillos para evitar deslizamiento de las bisagras.



SUGERENCIAS PARA EL AHORRO DE ENERGÍA



- El congelador debe ser colocado en la sección más fría de la habitación, alejado de los artefactos que producen calor o de los ductos de la calefacción y fuera de la luz directa del sol.
- Deje que los alimentos calientes se enfríen a la temperatura ambiente antes de colocarlos en el congelador. Al llenar demasiado el congelador, el compresor debe funcionar por períodos más largos. Los alimentos que se congelan demasiado lentamente pueden perder calidad o echarse a perder.
- Asegúrese de que los alimentos están envueltos debidamente y seque los envases antes de colocarlos en el congelador. Esto reduce la acumulación de escarcha dentro del congelador.
- Las parrillas del congelador no deben ser forradas con papel de aluminio, papel de cera o toallas de papel. Los forros interfieren con la circulación del aire frío, disminuyendo la eficacia del congelador.
- Organice y coloque etiquetas en los alimentos para reducir la continua apertura de la puerta y las búsquedas prolongadas. Saque tanto artículos como sea necesario de una sola vez y cierre la puerta tan pronto como sea posible.

AJUSTE DEL CONTROL DE LA TEMPERATURA

PERÍODO DE ENFRIAMIENTO

- Para la conservación segura de los alimentos, deje que el congelador se enfríe completamente durante 4 horas. El congelador funcionará continuamente durante las primeras horas. Los alimentos que ya están congelados pueden ser colocados en el congelador después de las primeras horas de funcionamiento. Los alimentos descongelados NO deben ser guardados en el congelador si el congelador no ha estado en funcionamiento durante 4 horas.
- Cuando esté llenando el congelador, congele solamente 3 libras de alimento fresco por pie cúbico de espacio de una vez. Distribuya los paquetes que van a ser congelados uniformemente a través del congelador. No es necesario girar el botón a un ajuste más frío cuando los alimentos están siendo congelados.

CONTROL DE TEMPERATURA

El control de temperatura está ubicado dentro del compartimiento del congelador. La temperatura se establece en fábrica para proporcionar temperaturas satisfactorias para el almacenamiento de alimentos. Sin embargo, el control de temperatura se puede ajustar para proporcionar una gama de temperatura según su preferencia personal. Si desea una temperatura más fría, gire la perilla del control de temperatura hacia **COLDEST** (MÁS FRÍO) y deje transcurrir varias horas para que la temperatura se estabilice entre los ajustes.

CARACTERÍSTICAS DEL CONGELADOR

NOTA: Su congelador tiene todas las características que se listan más abajo. Familiarícese con su uso y cuidado.

CIERRE DE SEGURIDAD CON LLAVE A RESORTE

El cierre cierra la puerta bien para asegurar la seguridad del alimento. Para cerrar o abrir el congelador, empuje la llave en la cerradura y gírela. La llave saldrá de la cerradura después que ha sido girada. Para evitar que los niños queden atrapados en el interior, vea las advertencias sobre la Llave a Resorte.

LUZ INDICADORA DE FUNCIONAMIENTO

La luz indicadora de funcionamiento indica si el congelador está debidamente conectado a la energía eléctrica. La luz se enciende aún cuando el control de la temperatura esté en la posición OFF. Si la luz se apaga, consulte *El congelador no funciona* en la **Lista de Control de Averías**. Si el congelador parece estar funcionando, se puede haber quemado la ampolleta. Llame a un técnico de servicio autorizado para su reemplazo.

TEMP ALARM (ALARMA DE TEMPERATURA)

Este aspecto provee una advertencia si las temperaturas adentro del congelador alcanzan un nivel peligroso. El TEMP ALARM opera por la electricidad de la casa. No funcionará si la electricidad de la casa se interrumpe.

Cuando el congelador se enchufa inicialmente, la luz indicadora roja de TEMP ALARM parpadeará. La luz indicadora continuará a parpadear hasta que el congelador haya alcanzado una temperatura segura para congelar. Si un desperfecto causa una temperatura insegura adentro del congelador, la luz roja parpadeará y el zumbador sonará. Para silenciar el zumbador, preme el botón ALARM OFF. La luz indicadora continuará a parpadear hasta que el congelador alcance una temperatura segura nuevamente.

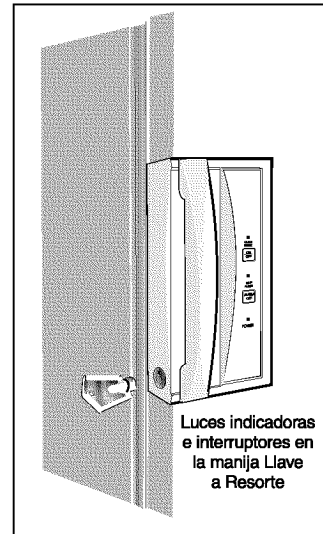
Si el botón ALARM OFF no es presado, el zumbador se apagará automáticamente después de 48 horas, pero la luz roja de TEMP ALARM continuará a parpadear.

Luz Indicadora Temp Alarm	Función
Luz apagada, alarma silenciosa	Operación Normal
Luz ROJA destellante, alarma silenciosa	Instalación inicial o corte prolongado de energía indica temperatura alta.
Luz ROJA destellante, alarma sonora	Temperatura alta. Para apagar la alarma sonora, oprima el botón ALARM OFF. Ver Lista de Control de Averías para posibles problemas.

CONGELACIÓN RÁPIDA

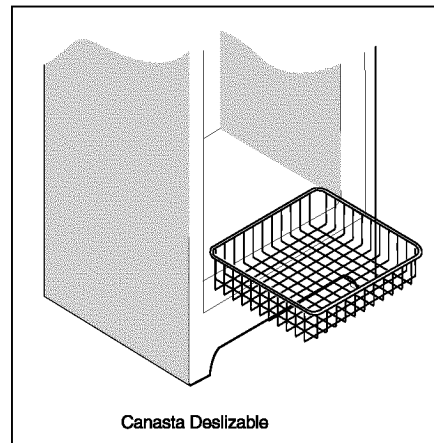
Para activar esta característica oprima el botón a la posición ON (ENCENDIDO). Aparecerá una luz verde y el congelador funcionará continuamente (excepto cuando esté en Descongelación Instantánea), haciendo que las temperaturas del congelador sean las más frías posible. Esta característica se

apague automáticamente después de 72 horas. Use esta característica justo antes de agregar grandes cantidades de alimentos no congelados al congelador (No sobrepase 3 libras por pie cúbico del espacio del congelador).



CANASTA DESLIZABLE

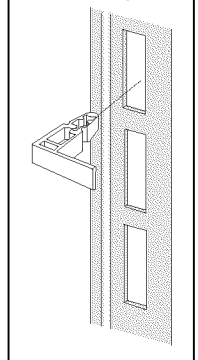
La canasta deslizable se encuentra en la parte baja del congelador, permitiendo el almacenamiento en espacios separados de aquellos productos que son difíciles de almacenar en los estantes superiores. Para sacar la canasta o la parrilla, usted debe halarla hacia fuera y levantarla.



LUZ INTERIOR

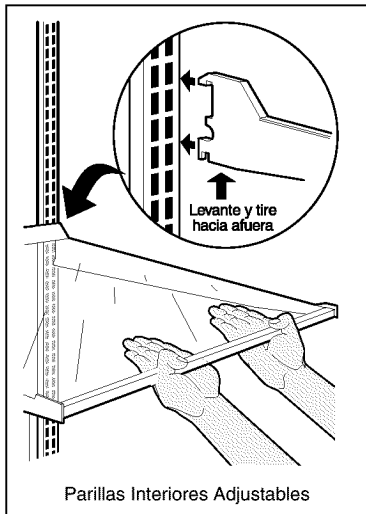
La luz se enciende automáticamente cuando se abre la puerta. Para cambiar la ampolleta, gire el control de la temperatura a la posición OFF y **desenchufe el cordón eléctrico**. Reemplace la ampolleta antigua con una nueva de la misma potencia.

Saque los espaciadores de embarque



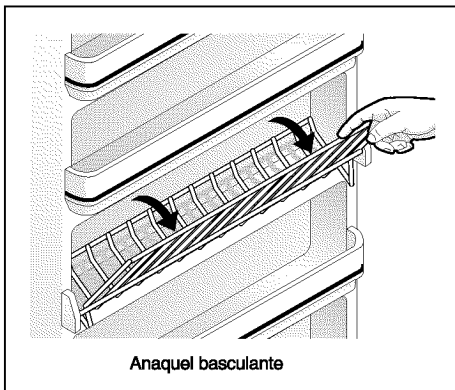
PARRILLAS INTERIORES AJUSTABLES

Las parrillas interiores ajustables pueden ser colocadas en cualquier posición para acomodar paquetes más grandes o más pequeños. Los espaciadores que estabilizan los estantes durante el embarque pueden ser sacados y descartados.



ANAQUEL BASCULANTE

Este anaquel está en la puerta del congelador y da espacio adicional para guardar. Si quiere sacar algo, incline la parte superior del anaquel “canastilla” hacia abajo.



CUIDADO Y LIMPIEZA

PRECAUCIÓN Los objetos mojados se adhieren a las superficies metálicas frías. No toque las superficies metálicas con las manos mojadas o húmedas.

No obstante que es un congelador libre de escarcha que se descongela automáticamente, se debe limpiar ocasionalmente.

LIMPIEZA DEL INTERIOR

Después de la descongelación, lave las superficies interiores del congelador con una solución de dos cucharadas de bicarbonato de soda en un cuarto de galón (1,136 litros) de agua tibia. Enjuague y seque. Asegúrese de estrujar bien la esponja o paño cuando esté limpiado el área de los controles o de las piezas eléctricas.

Lave las piezas móviles con la solución de bicarbonato de soda que se mencionó anteriormente o con un detergente suave y agua tibia. Enjuague y seque. Lave el empaque de la puerta con detergente suave, enjuague con agua limpia y seque. **Nunca** use esponjas metálicas, escobillas, limpiadores abrasivos o soluciones alcalinas en ninguna de las superficies. No lave las piezas removibles en la lavadora de platos.

LIMPIEZA DEL EXTERIOR

Lave el gabinete con agua tibia y un detergente suave. Enjuague bien y seque con un paño suave y limpio. Vuelva a colocar las piezas y los alimentos.

ADVERTENCIA Si deja la puerta del congelador abierta cuando se vá de vacaciones, asegúrese de que los niños no pueden entrar al congelador y quedar atrapados en él.

SUGERENCIAS PARA VACACIONES Y MUDANZAS

Vacaciones Cortas:

Deje el congelador funcionando durante las vacaciones de una a tres semanas de duración.

Vacaciones Largas:

Si el congelador no va ser usado durante varios meses:

- Saque todo el alimento, gire el control a la posición OFF y desenchufe el cordón eléctrico.
- Limpie y seque bien el interior.
- Deje la puerta del congelador ligeramente abierta, si es necesario bloqueándola para que se mantenga abierta, a fin de evitar que se acumule mal olor y manchas de humedad.

Mudanza:

- Desenchufe el cordón eléctrico.
- Remueva el alimento, descongele el congelador y límpielo bien.
- Resgarse las partes móviles, como el panel inferior, las parillas, y la canasta deslizante, para evitar daño.
- En el vehículo, resgarse el congelador en una posición vertical, y haga que no pueda mover. Además, cubra el exterior del congelador con una manta o otro artículo similar, para protegerlo.

FALLA DE LA CORRIENTE ELÉCTRICA/ FALLA DEL CONGELADOR

NOTA: No abra la puerta del congelador inútilmente si se ha cortado la corriente debido a una falla de la corriente eléctrica.

Si se produce un corte de corriente, los alimentos congelados permanecerán congelados por los menos por 24 horas si se mantiene la puerta del congelador cerrada. Si la falla de corriente continúa, coloque siete u ocho libras de hielo seco dentro del congelador cada 24 horas. Busque en las Páginas Amarillas bajo *Hielo Seco*, *Productos Lácteos* o *Fabricantes de Hielo* para encontrar los proveedores locales de hielo seco. Siempre use guantes y tenga cuidado cuando manipule el hielo seco.

Si el congelador ha dejado de funcionar, vea *Congelador no funciona* en la **Lista de Control de Averías** de este manual. Si no puede resolver el problema, llame inmediatamente a un técnico de servicio autorizado.

No abra la puerta del congelador inútilmente. Si el congelador permanece sin corriente por varias horas, siga las instrucciones indicadas anteriormente para el uso de hielo seco durante una falla de corriente. Si es necesario, lleve el alimento a un frigorífico local hasta que el congelador esté listo para ser usado. Busque en las Páginas Amarillas bajo *Plantas Frigoríficas Para Alimentos Congelados*.

LISTA DE CONTROL DE AVERÍAS	Antes de llamar a un técnico de servicio, revise esta lista. Puede ahorrar tiempo y dinero. Esta lista incluye los problemas más comunes que no son el resultado de materiales o mano de obra defectuosa de este artefacto.	
PROBLEMA	CAUSA	CORRECCIÓN
EL CONGELADOR NO FUNCIONA		
El congelador no funciona.	<ul style="list-style-type: none"> • El congelador debe conectarse en un enchufe que tenga un polo conectado a tierra. • El control de la temperatura no está en la posición OFF. • Puede que el congelador no esté enchufado o el enchufe puede estar suelto. • Un fusible del hogar está quemado o un disyuntor disparado. • Falla de corriente eléctrica. 	<ul style="list-style-type: none"> • Utilice otro circuito. Si no tiene la seguridad acerca del enchufe con polo a tierra, hágalo chequear de un electricista reconocido. • Ver Ajuste del Control de Temperatura. • Asegúrese de que el enchufe esté bien enchufado en el tomacorriente. • Revise/Vuelva a reposicionar el disyuntor o reemplace el fusible con un fusible de acción retardada de 15 amp. • Revise las luces del hogar. Llame a su compañía de electricidad local.
El congelador funciona demasiado o por mucho tiempo.	<ul style="list-style-type: none"> • La temperatura de la habitación o el tiempo afuera es demasiado caliente. • El congelador ha sido desenchufado recientemente por un período de tiempo. • Recientemente se han almacenado grandes cantidades de alimento caliente o tibio. • La puerta se ha dejado abierta por períodos muy largos o con mucha frecuencia. • La puerta del congelador puede estar ligeramente abierta. • El control de la temperatura está en un ajuste demasiado frío. • El empaque de la puerta del congelador puede estar sucio, gastado, agrietado o deficientemente colocado. 	<ul style="list-style-type: none"> • Es normal que el congelador funcione con más esfuerzo bajo estas condiciones. • El congelador requiere 4 horas para enfriarse completamente. • El alimento tibio causará que el congelador trabaje más hasta que se alcanza la temperatura deseada. • El aire caliente entra al congelador cada vez que la puerta se abre. Abra la puerta con menos frecuencia. • Ver en la sección Problema "PROBLEMAS CON LA PUERTA". • Gire el control a un ajuste más caliente. Deje pasar varias horas para que se estabilice la temperatura. • Limpie o cambie el empaque. Si existen escapes a través del empaque de la puerta el congelador funciona por períodos más largos para mantener la temperatura deseada.
Las temperaturas dentro del congelador son demasiado frías.	<ul style="list-style-type: none"> • El control de la temperatura está ajustado a demasiado frío. 	<ul style="list-style-type: none"> • Gire el control de la temperatura a un ajuste menos frío. Deje pasar algunas horas para que la temperatura se estabilice.
Las temperaturas dentro del congelador están demasiado calientes.	<ul style="list-style-type: none"> • El control de la temperatura está puesto en un ajuste demasiado caliente. • La puerta se ha dejado abierta por períodos muy largos o con mucha frecuencia. • La puerta del congelador puede estar ligeramente abierta. • Recientemente se han almacenado grandes cantidades de alimento caliente o tibio. • El congelador ha sido desenchufado recientemente por un período de tiempo. 	<ul style="list-style-type: none"> • Gire el control a un ajuste más frío. Deje pasar varias horas para que la temperatura se estabilice. • El aire caliente entra al congelador cada vez que la puerta se abre. Abra la puerta con menos frecuencia. • Ver "PROBLEMAS CON LA PUERTA" en la sección Problema. • El alimento tibio causará que el congelador trabaje más hasta que se alcanza la temperatura deseada. • El congelador requiere 4 horas para enfriarse completamente.
La temperatura de la superficie externa del congelador es elevada.	<ul style="list-style-type: none"> • El gabinete del congelador se siente caliente al tocarlo. 	<ul style="list-style-type: none"> • El congelador está funcionando normalmente, sacando aire caliente del interior.

PROBLEMA	CAUSA	CORRECCIÓN
SONIDOS Y RUIDOS		
Niveles de ruidos más fuertes cuando el congelador está en marcha.	<ul style="list-style-type: none"> Los congeladores modernos tienen mayor capacidad de almacenamiento y temperaturas más uniformes. 	<ul style="list-style-type: none"> Ellos requieren un compresor de alta velocidad. Esto es normal.
Niveles de ruidos más fuertes cuando el compresor está en marcha.	<ul style="list-style-type: none"> El congelador funciona a presiones más altas durante el comienzo del ciclo ON (En marcha). 	<ul style="list-style-type: none"> Esto es normal. El nivel de ruido se reducirá o desaparecerá a medida que el congelador continúa funcionando.
Se escucha un chasquido cuando el compresor se pone en marcha.	<ul style="list-style-type: none"> Las piezas de metal están sujetas a expansión y contracción, como en las tuberías del agua caliente. 	<ul style="list-style-type: none"> Esto es normal. El nivel del sonido bajará o desaparecerá a medida que el congelador continúa funcionando.
Sonido burbujeante, como de agua que está hirviendo.	<ul style="list-style-type: none"> El refrigerante (usado para enfriar el congelador) está circulando a través del sistema. 	<ul style="list-style-type: none"> Esto es normal.
Ruido de vibración.	<ul style="list-style-type: none"> El congelador no está nivelado. Se mece en el piso cuando apenas se toca. El suelo está disparejo o débil. El congelador se balancea en el piso cuando es movido. El congelador está tocando la pared. 	<ul style="list-style-type: none"> Ajuste los tornillos niveladores. Consulte "Nivelación" en la sección Para Comenzar. Asegúrese de que el piso puede soportar adecuadamente al congelador. Nivele el piso colocando tablas de madera bajo la parte del congelador que no esté nivelada. Vuelva a nivelar el congelador o muévelo ligeramente. Consulte "Nivelación" en la sección Para Comenzar.
AGUA/HUMEDAD/ESCARCHA DENTRO DEL CONGELADOR		
Se forma humedad en las paredes interiores del congelador.	<ul style="list-style-type: none"> El tiempo está caluroso y húmedo, lo cual aumenta la velocidad de acumulación de escarcha en el interior. La puerta del congelador puede estar ligeramente abierta. La puerta es mantenida abierta por un período demasiado largo o es abierta con demasiada frecuencia. 	<ul style="list-style-type: none"> Esto es normal. Ver "PROBLEMAS CON LA PUERTA" en la sección Problema. Entra aire caliente al congelador cada vez que la puerta se abre. Abra la puerta con menos frecuencia.
AGUA/HUMEDAD/ESCARCHA EXTERIOR DEL CONGELADOR		
Se forma humedad en el exterior del congelador.	<ul style="list-style-type: none"> La puerta está ligeramente abierta, causando que el aire frío del interior del congelador se una al aire húmedo caliente exterior. 	<ul style="list-style-type: none"> Ver "PROBLEMAS CON LA PUERTA" en la sección Problema.
OLOR EN EL CONGELADOR		
Olor en el congelador	<ul style="list-style-type: none"> El interior debe ser limpiado. Existen alimentos con olores fuertes en el congelador. 	<ul style="list-style-type: none"> Limpie el interior con una esponja, agua tibia y bicarbonato de soda. Cubra bien el alimento.
PROBLEMAS DE LA PUERTA		
La puerta no cierra.	<ul style="list-style-type: none"> El congelador no está nivelado. Se balancea en el piso cuando se movido. El suelo está disparejo o débil. El congelador se balancea en el piso cuando es movido. 	<ul style="list-style-type: none"> Esto puede hacer que el gabinete no esté a escuadra y desalinearse la puerta. Consulte "Nivelación" en la sección Para Comenzar. Asegúrese de que el piso puede soportar adecuadamente al congelador. Nivele el piso colocando tablas de madera bajo la parte del congelador que no está nivelada.
LA AMPOLLETA NO ENCIENDE		
La ampolleta no enciende	<ul style="list-style-type: none"> La ampolleta está quemada. No llega corriente eléctrica al congelador. 	<ul style="list-style-type: none"> Siga las instrucciones indicadas bajo "Luz Interior" en la sección <i>Características del Congelador</i>. Ver "EL CONGELADOR NO FUNCIONA" en la sección Problema.

SERVICIO SEARS

"Nosotros Reparamos lo que Vendemos" es nuestra garantía de que usted puede depender de Sears para servicio... y el servicio de Sears lo puede conseguir a través de todo el país. Su congelador tiene mayor valor cuando se considera que Sears tiene centros de servicio a través de todo el país, con técnicos entrenados por Sears...técnicos específicamente entrenados en los artefactos Sears y que cuentan con las piezas, herramientas y equipo para asegurarle que cumplimos con nuestra promesa..."Nosotros reparamos lo que vendemos."

CONVENIO DE MANTENIMIENTO SEARS

Conserve el valor de su congelador *Kenmore Elite*® adquiriendo el convenio de Mantenimiento Sears. Los congeladores Sears están diseñados, fabricados y probados para funcionamiento confiable durante muchos años. Sin embargo, cualquier artefacto moderno puede, de vez en cuando, necesitar servicio.

El Convenio de Mantenimiento Sears

- Es su manera de comprar la reparación del mañana al precio de hoy.
- Elimina las cuentas de reparaciones resultantes del uso normal.
- Permite tantas llamadas de servicio como sean necesarias.
- Proporciona servicio por técnicos profesionales entrenados por Sears.
- Ofrece mantenimiento preventivo anual si lo solicita.

Este convenio de mantenimiento no cubre la instalación original, la reinstalación o daño resultante de causas externas tales como casos fortuitos, abuso, robo, incendio, inundaciones, viento, rayos, congelación, falla de energía, reducción de potencia, etc. Solicite a un vendedor que le explique todos los términos y condiciones del convenio.

CLIENTE DE SEARS CANADÁ

Estimado Cliente:

En fabricar este producto, se han tomado muchos pasos para proveer la calidad más alta posible. Desafortunadamente, se ocurren errores o omisiones ocasionalmente. En el caso de que usted encuentre una parte defectuosa o que le falte una parte, favor de llamar a su almacén Sears más cercano.

Si usted tiene cualquier sugerencias que nos ayudarían para mejorar nuestra ensamblaje/las instrucciones de operación o este producto, favor de escribírnoslas, incluyendo la información abajo. Envíalo a:

Sears Canadá, Inc. Attn: Buyer Dept. 646
222 Jarvis Street
Toronto, Ontario
M5B 2B8

Comprado por:

Nombre: _____

Dirección: _____

Ciudad: _____ Prov: _____

Código Postal: _____ Teléfono: _____

No. De Modelo: 970. _____

No. De Serie: _____

Fecha De Compra: __/__/__

Donde Comprado: _____

Comenta: _____

This Page Will Be Blank

DO NOT PRINT

TABLE DES MATIERES

Inscrivez les numéros de	
Série et de modèle	1
Sécurité	1-2
Garantie	2
Canada - Garantie	3
Pour bien commencer	4-5
Conseils pour économiser l'énergie	5
Réglage de la commande	
de température	5
Caractéristiques du congélateur	6-7
Entretien et nettoyage	7
Panne de courant/panne du	
congélateur	7
Liste de contrôle anti-panne	8-9
Service après-vente Sears	10
Clients Sears Canada	10

SÉRIE / MODÈLE NUMEROS

LISEZ ET CONSERVEZ CES INSTRUCTIONS

Ce Guide de l'utilisateur donne des instructions particulières à ce modèle. Ne utiliser le congélateur que de la façon indiquée dans ce guide. Les instructions indiquées dans ce guide ne couvrent pas toutes les situations qui peuvent se présenter. Utilisez de bons sens et de prudence pour installer, faire fonctionner et entretenir cet appareil.

Inscrivez les numéros de série et de modèle

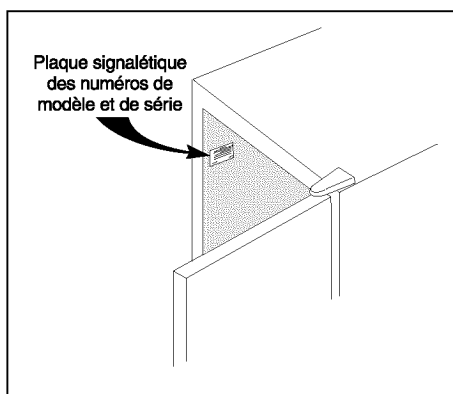
Inscrivez ci-dessous le numéro de modèle et le numéro de ce congélateur. La plaque signalétique se trouve dans le haut du mur gauche, à l'intérieur du congélateur.

N° de modèle: 253.

Ou 970.

N° de série: _____

Date de l'achat: _____



IMPORTANTES MESURES DE SÉCURITÉ

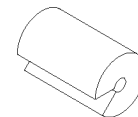
LISEZ TOUTES CES INSTRUCTIONS AVANT D'UTILISER LE CONGÉLATEUR

AVERTISSEMENT POUR VOTRE SÉCURITÉ

N'entreposez pas et n'utilisez pas d'essence ou autres vapeurs et liquides inflammables à proximité de cet appareil ou d'un autre. Lisez les étiquettes donnant les caractéristiques d'inflammabilité et autres avertissements.

AVERTISSEMENT SÉCURITÉ DES ENFANTS

- Détruisez le cartonnage, les sacs plastiques et tout matériau d'emballage immédiatement après déballage du congélateur. Les enfants ne devraient jamais se servir de ces articles pour jouer. Les cartonnages recouverts de tapis, housses plastiques, couvertures ou matériaux extensibles risquent en effet de ne pas laisser passer d'air et d'asphyxier.
- Enlevez toutes les agrafes; elles risquent de blesser gravement et d'endommager les finis d'autres appareils et meubles.
- Un réfrigérateur ou congélateur ou encore une glacière vide risquent d'attirer dangereusement les enfants.
- Retirez et jetez toutes les entretoises employées pour fixer les étagères pendant l'expédition. Les petits objets sont un risque d'obstruction aux enfants.



Enlevez la porte de tout appareil non utilisé, même s'il a été mis de côté.

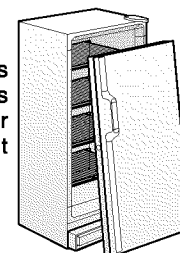
Mise au rebut appropriée de Votre Congélateur / Réfrigérateur

AVERTISSEMENT

Risque d'enfermement de jeunes enfants. Les risques d'enfermement et de suffocation des jeunes enfants sont bien réels. Les réfrigérateurs ou congélateurs mis au rebut ou non utilisés présentent toujours un danger - même s'ils ne sont entreposés "que pour quelques jours". Si vous allez débarrasser de votre vieux réfrigérateur ou congélateur veuillez suivre les instructions ci-dessous pour éviter tout risque d'accident.

AVANT DE VOUS DEBARASSER DE VOTRE VIEUX RÉFRIGÉRATEUR OU CONGÉLATEUR:

- Retirer les portes.
- Laisser les étagères en place pour que les enfants ne puissent pas facilement dedans.



AVERTISSEMENT ÉLECTRICITÉ

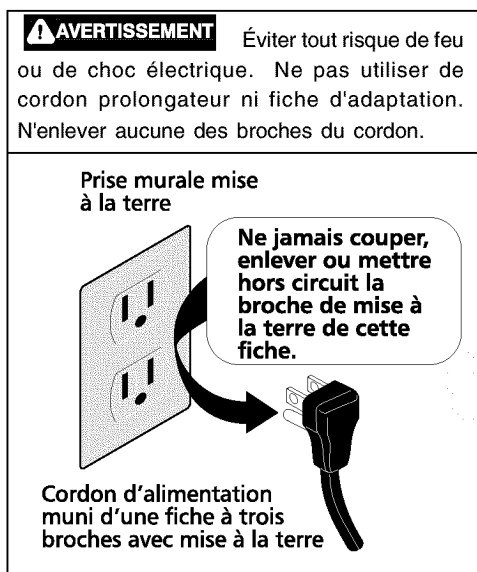
Ces directives doivent être suivies pour que les mécanismes de sécurité de ce congélateur fonctionnent correctement.

- **Reportez-vous à la plaque signalétique pour connaître les caractéristiques nominales du courant.** Le cordon de l'appareil est muni d'une fiche à trois broches avec mise à la terre pour éviter les décharges électriques. Elle doit être branchée directement dans une prise murale mise à la terre, à trois alvéoles, protégée par un coupe-circuit ou un fusible à action retardée de 15 A. La prise doit être installée conformément aux codes et règlements locaux. Consultez un électricien qualifié. Les prises avec un mise à terre fault circuit interrupteur **NE SONT PAS RECOMMANDÉES. N'utilisez PAS de cordon prolongateur ni de fiche d'adaptation.**
- Si la tension varie de 10% ou plus, les performances de votre congélateur risquent d'en être affectées, et le moteur endommagé. Un tel dommage n'est pas couvert par la garantie. Si vous soupçonnez que la tension est élevée ou basse, communiquez avec votre compagnie d'électricité.
- Pour éviter que le congélateur ne soit accidentellement débranché, ne le branchez pas dans une prise commandée par un interrupteur mural ou un cordon de tirage.
- Ne pincez pas, ne tordez pas, ne nouez pas le cordon d'alimentation.

AUTRES PRÉCAUTIONS

- Ne débranchez pas le réfrigérateur en tirant sur le cordon. Saisissez toujours bien la fiche et sortez-la de la prise en tirant droit vers vous.

Remarque: En mettant la commande sur «OFF» (ARRÊT), vous ne coupez pas l'alimentation de l'ampoule ni des autres composants électriques, mais du compresseur seulement.



GARANTIE

GARANTIE COMPLÈTE DE UN AN SUR LE CONGÉLATEUR

À partir de la date d'achat, si ce congélateur fonctionne et est entretenu selon les instructions du guide de l'utilisateur, Sears réparera ce congélateur, gratuitement, en cas de défaut de matériau ou de fabrication.

GARANTIE COMPLÈTE DE CINQ ANS SUR LE SYSTÈME DE RÉFRIGÉRATION SCÉLLÉ

Pendant cinq ans à partir de la date d'achat, si ce congélateur fonctionne et est maintenu selon les instructions du guide de l'utilisateur, Sears réparera gratuitement le système de réfrigération scellé (comprenant le réfrigérant, la tuyauterie et le compresseur), en cas de défaut de matériau ou de fabrication. La garantie ci-dessus ne s'applique qu'à des congélateurs utilisés à des fins domestiques.

LIMITE DE LA GARANTIE EN CAS DE NOURRITURE AVARIÉE

Si vous le signalez rapidement à votre magasin ou centre de service après-vente Sears le plus proche, Sears vous remboursera jusqu'à concurrence de 100 \$ la valeur de la nourriture, vérifiée par Sears, qui a été perdue lorsqu'elle a été entreposée dans le congélateur utilisé à des fins domestiques, s'il s'agit de:

1. Défauts qui se sont produits pendant la première année suivant la date d'achat.
2. Panne du système de réfrigération scellé (y compris réfrigérant, tuyauterie et compresseur), par suite de défauts se produisant de la deuxième à la cinquième année après l'achat. Si le congélateur est utilisé à d'autres fins que domestiques, Sears ne sera aucunement responsable de la perte de nourriture. Les pertes de nourriture résultant de causes autres que les défauts énumérés ci-dessus, comme pourriture naturelle, interruption de courant, courant insuffisant, arrêt manuel de l'alimentation électrique, dommage par le feu, dommage par l'eau, vol, etc. sont indépendantes de notre volonté et ne sont pas couvertes par Sears. Quelques états ne permettent pas l'exclusion ou la limite de dommages directs ou indirects. La limite ou l'exclusion ci-dessus peut donc ne pas s'appliquer dans votre cas. Cette garantie vous donne des droits précis vis-à-vis de la loi. Vous pouvez aussi bénéficier d'autres droits qui peuvent varier d'une province à l'autre.

Le service de garantie est disponible en contactant le CENTRE DE SERVICE/ DÉPARTEMENT DE SEARS PLUS PROCHE aux États - Unis. Voir la page postérieure de ce manuel.

Sears, Roebuck and Co.
Dept. 817WA
Hoffman Estates, IL 60179

CANADA — GARANTIE



Congélateurs

Canada Inc. garantit tous les congélateur *Kenmore Elite* neufs contre tout vice de matériau ou de fabrication. En cas de défaut, voici ce que Sears effectuera gratuitement:

Cette garantie couvre:	Durée de la garantie (à compter de la date d'achat)	Pièces: Au choix de Sears, réparation ou remplacement de la pièce défectueuse pendant:	Main d'oeuvre: Installation de la pièce réparée ou de la pièce de rechange pendant:
Le compresseur	DIX (10) ANS	CINQ (10) ANS	DIX (10) ANS
Le système scellé (réfrigérant, évaporateur et condenseur)	CINQ (5) ANS	CINQ (5) ANS	CINQ (5) ANS
Toutes les autres pièces, tous les autres réglages	UN (1) AN	UN (1) AN	UN (1) AN

Responsabilité normale du consommateur

Les points suivants, qui ne sont pas des défauts de fabrication, ne sont pas compris dans la garantie, mais sont à la charge du client:

- 1) Dommages du fini après livraison.
- 2) Alimentation électrique impropre, faible tension, tout défaut du câblage de la maison, appareil non branché à une prise électrique.
- 3) Remplacement des ampoules électriques.
- 4) Dommages causés par le déplacement de l'appareil.
- 5) Réparations à la suite de modifications, usage abusif, incendie, inondation ou causes naturelles.
- 6) Bonne circulation d'air au système de réfrigération.
- 7) Utilisation et entretien appropriés, comme il est indiqué dans le guide, bon réglage des commandes.

Pour tout entretien nécessaire sous cette garantie, appelez simplement **1-877-LE-FOYERSM** (1-877-533-6937).

La garantie ci-dessus concerne les congélateurs *Kenmore Elite* vendus et fonctionnant au Canada seulement.

Elle ne s'applique pas si le congélateur est utilisé à d'autres fins que domestiques.

Contrat d'entretien Sears

Conservez la valeur de votre congélateur *Kenmore Elite* avec un contrat d'entretien Sears.

SEARS CANADA INC. • Toronto, Canada • M5B 2B8

FRANÇAIS

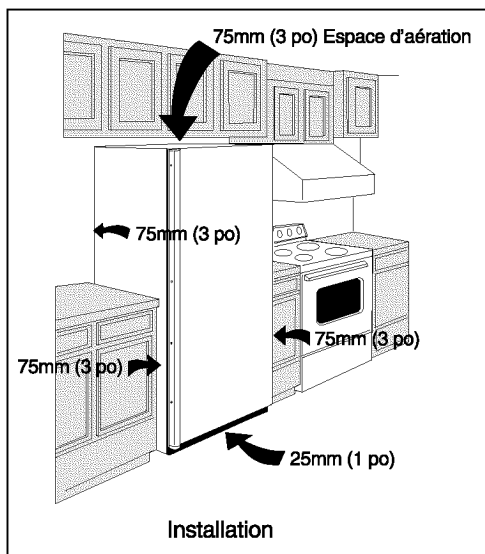
IMPRIMÉ AUX É.-U.

POUR BIEN COMMENCER

Ce guide de l'utilisateur donne des directives particulières à ce modèle. Ne utiliser le congélateur que de la façon indiquée dans ce guide. **Avant de mettre en marche le congélateur, prener connaissance des points suivants:**

EMPLACEMENT

- Choisissez un endroit près d'une prise mise à la terre. N'utilisez PAS de cordon prolongateur ni de fiche d'adaptation.
- Pour assurer un fonctionnement des plus efficace, placez le congélateur à un endroit où les températures ambiantes ne dépasseront pas 43°C (110°F). Les températures moins de 0°C (32°F) ne change pas le fonctionnement du congélateur. Les appareils de chauffage supplémentaires pour le compresseur ne sont pas recommandés.
- *Laissez un espace de 75 mm (3 pouces) de chaque côté du congélateur pour assurer une bonne circulation de l'air.*

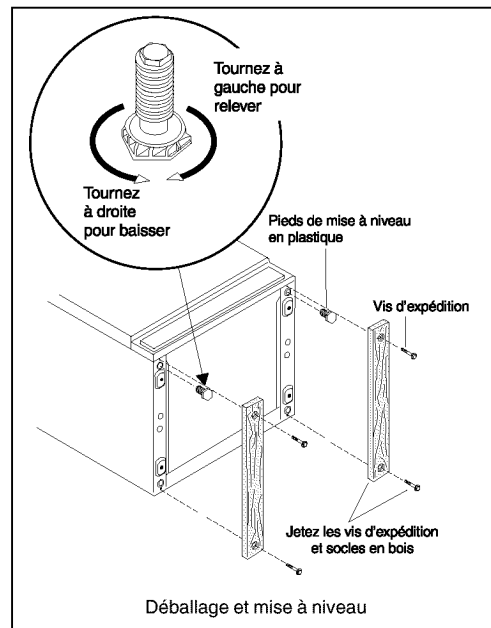


REMARQUE: Les murs extérieurs du congélateur peuvent devenir très chauds au fur et à mesure que le compresseur fonctionne pour garder la température intérieure froide. Les températures peuvent aller jusqu'à 17°C au dessus de la température ambiante. Pour cette raison il est très important, dans les régions à climat chaud, de s'assurer qu'il y a assez d'espace autour du congélateur pour que l'air circule librement.

MISE À NIVEAU

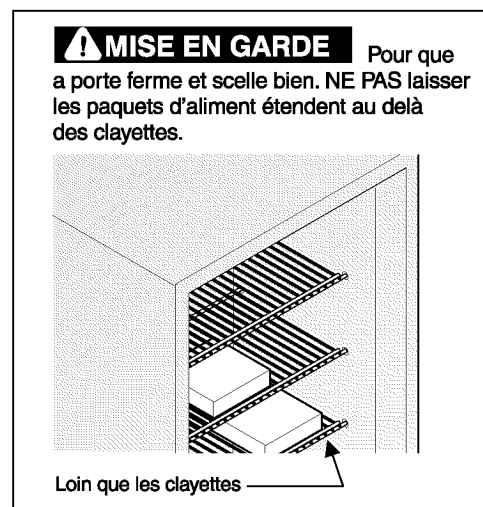
Les quatre coins inférieurs de congélateur doivent reposer fermement sur un plancher solide. Le plancher doit être assez résistant pour supporter le poids du congélateur rempli. **NOTE:** Il est TRÈS IMPORTANT pour votre congélateur d'être nivelé afin de fonctionner bien. Si le congélateur n'est pas nivelé pendant l'installation, la porte peut être non alignée, ne ferme pas, ou ne scelle bien, causant des problèmes de refroidir, geler, ou d'humidité.

Après avoir jeté la base de bois et les vis d'emballage, utiliser un niveau du charpentier pour niveler le congélateur du devant à le dos. Ajuster les pieds en matière plastique qui nivellent dans le devant, 1/2 bouillonne plus haut, pour que la porte ferme facilement quand elle est partiellement ouverte.



NETTOYAGE

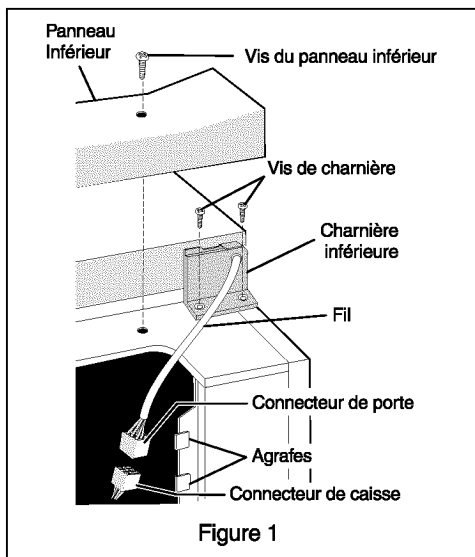
- Nettoyez toutes les pièces amovibles, l'intérieur et l'extérieur avec de l'eau tiède et un détergent doux. Essuyez. **N'UTILISEZ PAS D'ABRASIFS PUISSANTS SUR CES SURFACES.**
- Pour enlever les étiquettes adhésives, n'utilisez pas de lame de rasoir ou autre instrument tranchant risquant de rayer le fini. Enlevez la colle restante du ruban ou de l'étiquette sur l'énergie avec un mélange d'eau tiède et de détergent doux ou bien avec le côté collant du ruban ou de l'étiquette enlevée. **N'ENLEVEZ PAS LA PLAQUE SIGNALÉTIQUE.**



Dépose de la porte (modèles verticaux)

S'il faut enlever la porte:

1. Poser doucement le congélateur sur sa partie arrière, sur un tapis ou une couverture.
2. Enlever les deux vis du panneau inférieur et le panneau lui-même. Retirer le fil métallique des attaches en bas de la caisse (figure 1).
3. Pour débrancher le connecteur, retenir le connecteur de la caisse en place, puis sortir le connecteur de la porte (figure 1).
4. Retirer les vis de charnière inférieure (figure 1).
5. Retirer le couvre-charnière supérieur en plastique.
6. Enlever les vis de la charnière supérieure.
7. Enlever la charnière supérieure de la caisse.
8. Enlever la porte et la charnière inférieure de la caisse.
9. Pour remettre la porte en place, procéder inversement et bien serrer toutes les vis pour éviter que les charnières ne glissent.



CONSEILS POUR ÉCONOMISER L'ÉNERGIE



- Placez le congélateur dans l'endroit le plus froid de la pièce, éloigné de la lumière du soleil et des conduits de chauffage ou appareils producteurs de chaleur.
- Laissez les aliments chauds refroidir à la température de la pièce avant de les ranger dans le congélateur. La surcharge du congélateur oblige le compresseur à fonctionner plus longtemps. Les aliments qui congèlent trop doucement risquent de perdre leur qualité ou de se gâter.
- Enveloppez correctement les aliments et essuyez les contenants avant de les ranger dans le congélateur. Ceci diminue la condensation à l'intérieur du congélateur.
- Les clayettes ne devraient pas être recouvertes de papier aluminium, papier ciré ou essuie-tout. Ces revêtements entravent la circulation de l'air froid, ce qui diminue l'efficacité du congélateur.
- Rangez bien les aliments et étiquetez-les pour réduire les ouvertures de porte et les recherches prolongées. Prenez autant d'articles que possible en même temps et fermez aussitôt la porte ou le couvercle.

RÉGLAGE DE LA COMMANDE DE TEMPÉRATURE

PÉRIODE DE REFROIDISSEMENT

- Pour assurer une bonne conservation des aliments, laissez le congélateur refroidir complètement pendant 4 heures. Le congélateur fonctionnera continuellement les quelques premières heures. Les aliments déjà congelés peuvent être placés dans le congélateur après les premières heures de fonctionnement. Les aliments non congelés NE devraient PAS être rangés dans le congélateur tant qu'il n'a pas fonctionné pendant 4 heures.
- Lorsque vous remplissez le congélateur, ne congelez que 3 lb d'aliments par pied cube d'espace de congélateur en une seule fois. Répartissez les paquets dans tout le congélateur. Il n'est pas nécessaire de tourner le bouton de commande à un réglage plus froid lors de la congélation des aliments.

COMMANDE DE TEMPÉRATURE

La commande de température est située à l'intérieur du congélateur. L'appareil a été pré-réglé en usine afin d'assurer une température adéquate de rangement de la nourriture. Vous pouvez toutefois régler la commande de température selon vos besoins. Si vous désirez une température plus froide, tournez le bouton de commande vers COLDEST (LE PLUS FROID) puis attendez quelques heures, afin que la température se stabilise.

CARACTÉRISTIQUES DU CONGÉLATEUR

REMARQUE: Votre congélateur comporte toutes les caractéristiques énumérées cidessous. Apprenez à les connaître et familiarisez-vous avec leur utilisation et leur entretien.

SERRURE DE SÉCURITÉ À RESSORT

La serrure ferme la porte du congélateur bien, pour assurer la sécurité de la nourriture. Pour verrouiller ou déverrouiller le congélateur, enfoncez la clé dans la serrure et tournez-la. La clé s'éjecte de la serrure une fois qu'elle a été tournée. Voyez l'avertissement sur la clé au sujet des enfants.

TÉMOIN DE FONCTIONNEMENT

Le témoin de fonctionnement jaune indique que le congélateur est correctement branché au courant électrique. Le témoin reste allumé même lorsque la commande de température est à l'arrêt. Si le témoin s'éteint, reportez-vous à **Le congélateur ne fonctionne pas dans La Liste de Contrôle Anti-panne**. Si le congélateur semble fonctionner, l'élément est peut-être grillé. Appelez un réparateur autorisé pour le remplacer.

ALARME DE TEMPÉRATURE

Cette caractéristique avertit lorsque les températures à l'intérieur s'élèvent à un niveau dangereux. L'alarme de température est branchée sur le courant électrique domestique. En cas de panne de courant, elle ne fonctionne pas.

Quand le bac à congélation est branché pour la première fois, l'indicateur lumineux rouge TEMP ALARM clignote. L'indicateur lumineux continue de clignoter jusqu'à ce que le bac à congélation ait atteint une température de congélation correcte. Si un mauvais fonctionnement provoque une variation de température hors norme à l'intérieur du bac à congélation, l'indicateur lumineux rouge se mettra à clignoter et l'alarme retentira. Pour éteindre l'alarme, appuyez sur le bouton ALARM OFF. L'indicateur lumineux continue de clignoter jusqu'à ce qu'une température adéquate soit atteinte de nouveau.

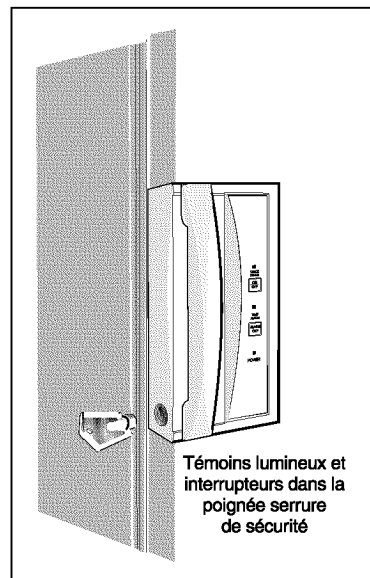
Si vous n'appuyez pas sur le bouton ALARM OFF, l'alarme s'éteindra automatiquement au bout de 48 heures, mais l'indicateur lumineux continuera de clignoter.

Témoin lumineux de l'alarme de température	Fonction
Voyant éteint, sonnerie silencieuse	Fonctionnement normal
Voyant ROUGE clignote, sonnerie silencieuse	Installation initiale ou panne de courant prolongée, indiquant que la température est tiède.
Voyant ROUGE clignote, sonnerie retentit	Température tiède. Pour arrêter la sonnerie, appuyez sur le bouton ALARM OFF. Voyez les problèmes possibles dans la Liste de contrôle anti-panne.

CONGÉLATION RAPIDE

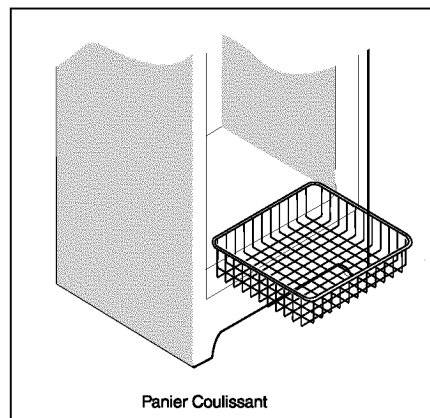
Pour activer cette caractéristique, appuyez le selecteur à ON (MARCHE). Un voyant vert apparaît et le congélateur se met en marche en continu (sauf lors du dégivrage éclair), amenant les températures du congélateur au niveau le plus froid possible. Cette caractéristique s'arrête

automatiquement depuis de 72 heures. Ne l'utilisez que juste avant d'ajouter de grandes quantités de denrées non congelées (ne dépassez pas 3 livres par pied cube d'espace de congélateur).



LE PANIER COULISSANT

Un panier coulissant, situé au bas du congélateur, fournit l'espace d'emmagasinage séparé pour les articles qui sont difficiles d'emmagasiner sur les étagères du congélateur. Pour enlever le panier, retirez et soulevez vers le haut.

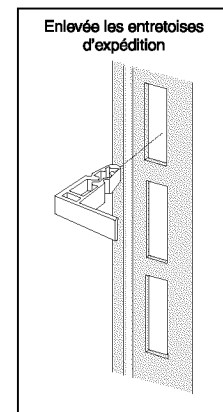


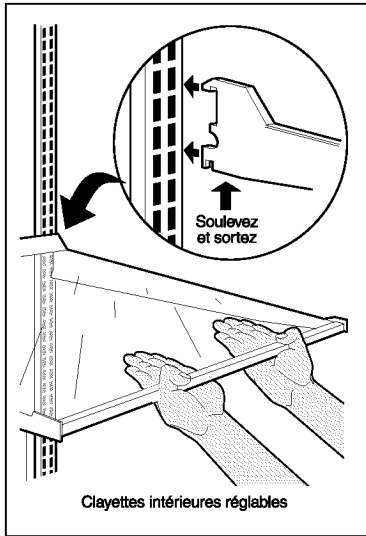
ÉCLAIRAGE INTÉRIEUR

La lampe s'allume automatiquement à l'ouverture de la porte. Pour remplacer l'ampoule, tournez la commande de température sur «OFF» (ARRÊT) et **débranchez le cordon**. Remplacez l'ampoule par une autre de même puissance.

CLAYETTES INTÉRIEURES RÉGLABLES

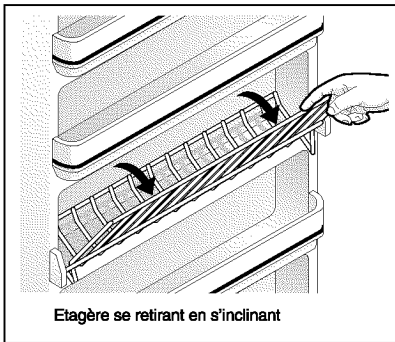
Les clayettes intérieures à multi-positions peuvent être déplacées à toute position selon la dimension des paquets. Les entretoises d'expédition qui stabilisent les clayettes lors de l'expédition peuvent être enlevées et jetées.





ETAGÈRE SE RETIRANT EN S'INCLINANT

Cette étagère est située à l'intérieur, sur la porte du bac à congélation et permet un rangement supplémentaire. Pour avoir accès à un article, inclinez le dessus de l'étagère "panier" vers le bas.



ENTRETIEN ET NETTOYAGE

PRÉCAUTION Les objets humides collent aux surfaces métalliques froides. Ne pas toucher ces surfaces avec les mains humides.

Bien que cet appareil soit un congélateur sans givre et qu'il se dégivre automatiquement, il doit être nettoyé occasionnellement.

NETTOYAGE DE L'INTÉRIEUR

Après le dégivrage, nettoyez les surfaces internes du congélateur avec une solution composée de deux cuillères à soupe de bicarbonate de soude dans 1 litre (1 pinte) d'eau tiède. Rincez et séchez. Essorez bien votre chiffon ou votre éponge pour nettoyer autour des commandes ou des pièces électriques.

Lavez les pièces amovibles avec une solution de bicarbonate de soude comme ci-dessus, ou de l'eau tiède additionnée de détergent doux. Rincez et séchez. **N'utilisez jamais** de tampon à récurer métallique, brosse, produit nettoyant abrasif ou solution alcaline sur une surface du congélateur, quelle qu'elle soit. Ne lavez pas les parties amovibles dans un lave-vaisselle.

NETTOYAGE DE L'EXTÉRIEUR

Lavez la caisse à l'eau tiède additionnée de détergent liquide doux. Rincez bien et séchez avec un linge propre et doux. Remettez en place les pièces et la nourriture.

AVERTISSEMENT Si le congélateur est laissé ouvert pendant des congés, s'assurer que des enfants ne puissent rester emprisonnés à l'intérieur.

CONSEILS DE VACANCES ET DÉMÉNAGEMENT

Courtes vacances:

Laissez le congélateur fonctionner pendant des congés de une à trois semaines.

Longues vacances:

Si le congélateur n'est pas utilisé pendant plusieurs mois:

- Enlevez toute la nourriture, tournez la commande sur «OFF» (ARRÊT) et débranchez le cordon.
- Nettoyez et séchez l'intérieur soigneusement.
- Laissez la porte ou le couvercle légèrement ouvert en bloquant au besoin, pour empêcher moisissure et odeur.

Déménagement:

- Débranchez le cordon.
- Enlevez toute la nourriture, dégivrez le congélateur et nettoyez-le.
- À l'aide du ruban, attachez les pièces mobiles aux congélateur pour empêcher dommage.
- Dans le véhicule, le congélateur doit être dans une position droit. Assurez la sécurité du congélateur, pour empêcher le mouvement. Couvrez l'extérieur avec une couverture, ou autre article similaire, pour protéger-le.

PANNE DE COURANT/ PANNE DU CONGÉLATEUR

REMARQUE: Ne pas ouvrir le congélateur inutilement en cas de panne de courant.

En cas de panne de courant, les aliments resteront congelés au moins 24 heures si le congélateur reste fermé. Si la panne continue, placez sept ou huit livres de glace sèche dans le congélateur toutes les 24 heures. Cherchez dans les pages jaunes les fournisseurs sous *Glace sèche, Laiteries ou Fabricants de crème glacée*. Portez toujours des gants et soyez prudent lors de la manipulation de glace sèche.

Si le congélateur s'est arrêté de fonctionner, reportez-vous à *Le congélateur ne fonctionne pas* dans la liste de **contrôle anti-panne**. Si vous ne pouvez résoudre le problème, appelez immédiatement un réparateur autorisé.

N'ouvrez pas le congélateur inutilement. S'il ne fonctionne pas pendant plusieurs heures, suivez les instructions ci-dessus traitant de l'utilisation de glace sèche. Au besoin, apportez vos aliments dans un dépôt frigorifique local jusqu'à ce que le congélateur soit prêt à fonctionner. Regardez dans les pages jaunes sous *Entrepôts frigorifiques pour aliments congelés*.

LISTE DE CONTRÔLE ANTI-PANNE		Avant d'appeler un agent de service, consultez cette liste. Vous pourriez économiser temps et argent. Cette liste décrit les situations courantes qui ne sont causées ni par un défaut de fabrication ni par un matériau défectueux.	
PROBLÈME	CAUSE	CORRECTION	
LE CONGÉLATEUR NE FONCTIONNE PAS			
Le congélateur ne fonctionne pas.	<ul style="list-style-type: none"> Le congélateur est branché à un circuit qui a l'interruption de terre-défaut. La commande est à la position «OFF» (ARRÊT). Le congélateur n'est peut être pas branché ou la prise mal branchée. Le fusible ou le coupe-circuit a sauté ou s'est déclenché. Panne de courant. 	<ul style="list-style-type: none"> Utilisez un autre circuit. Si vous êtes incertain de la prise, la font contrôler par un technicien certifié. Voyez Réglage de la commande de température. Assurez-vous que la fiche est bien enfoncée dans la prise électrique. Vérifiez/réenclenchez le coupe-circuit ou remplacez le fusible par un fusible de 15 A à action différée. Vérifiez les lumières de la maison. Appelez la compagnie d'électricité de votre région. 	
Le congélateur fonctionne trop ou trop longtemps.	<ul style="list-style-type: none"> La température ambiante ou à l'extérieur est élevée. Le congélateur a récemment été débranché, pendant quelque temps. De grandes quantités d'aliments chauds ou tièdes ont été rangées récemment. Le congélateur est resté ouvert trop longtemps ou trop fréquemment. Le congélateur est peut-être légèrement ouvert. La commande est placée en position trop froide. Le joint du congélateur est sale, usé, fendillé ou mal ajusté. 	<ul style="list-style-type: none"> Dans ces conditions, il est normal que le congélateur fonctionne plus. Le congélateur a besoin de 4 heures pour refroidir complètement. Les aliments chauds font davantage fonctionner le congélateur et ce, jusqu'à ce qu'il ait atteint la température désirée. De l'air chaud y entre à chaque fois qu'il est ouvert. Ouvrez-le moins souvent. Voyez "PROBLÈMES DE PORTE". Tournez la commande sur un réglage plus chaud. Attendez plusieurs heures que la température se stabilise. Nettoyez ou remplacez le joint. Des fuites dans le joint peuvent faire fonctionner le congélateur plus longtemps afin de maintenir la température désirée. 	
Les températures à l'intérieur du congélateur sont trop basses.	<ul style="list-style-type: none"> La commande de température est en position trop froide. 	<ul style="list-style-type: none"> Tournez la commande à un réglage plus chaud. Attendez plusieurs heures que la température se stabilise. 	
Les températures à l'intérieur du congélateur sont trop élevées.	<ul style="list-style-type: none"> La commande de température est en position trop chaude. Le congélateur est resté ouvert trop longtemps ou trop fréquemment. Le congélateur est peut-être légèrement ouvert. De grandes quantités d'aliments chauds ou tièdes ont été rangées récemment. Le congélateur a récemment été débranché, pendant quelque temps. 	<ul style="list-style-type: none"> Tournez la commande à un réglage plus froid. Attendez plusieurs heures que la température se stabilise. De l'air chaud y entre à chaque fois qu'il est ouvert. Ouvrez-le moins souvent. Voyez "PROBLÈMES DE PORTE". Attendez que le congélateur ait atteint la température choisie. Le congélateur a besoin de 4 heures pour se refroidir complètement. 	
La température de la surface externe est élevée.	<ul style="list-style-type: none"> La caisse du congélateur est toujours tiède au toucher. 	<ul style="list-style-type: none"> Le congélateur fonctionne normalement, en retirant l'air chaud de l'intérieur. 	
BRUITS			
Bruits plus élevés lorsque le congélateur est en marche.	<ul style="list-style-type: none"> Les congélateurs d'aujourd'hui ont plus de capacité de rangement et des températures plus uniformes. Ils ont besoin d'un compresseur haute vitesse. 	<ul style="list-style-type: none"> Ceci est normal. 	

PROBLÈME	CAUSE	CORRECTION
BRUITS (Suite)		
Bruits plus élevés lorsque le compresseur se met en marche.	<ul style="list-style-type: none"> Le congélateur fonctionne à de plus hautes pressions pendant la mise en marche du cycle de refroidissement. 	<ul style="list-style-type: none"> Ceci est normal. Les bruits se stabilisent ou disparaissent alors que le congélateur continue à fonctionner.
Craquements lorsque le compresseur se met en marche.	<ul style="list-style-type: none"> Les composants métalliques se dilatent et se contractent comme des tuyaux d'eau chaude. 	<ul style="list-style-type: none"> Ceci est normal. Le bruit se stabilise ou disparaît alors que le congélateur continue à fonctionner.
Bruits de bouillonnement semblables à de l'eau qui bout.	<ul style="list-style-type: none"> Le réfrigérant (utilisé pour refroidir le congélateur) circule dans le système. 	<ul style="list-style-type: none"> Ceci est normal.
Bruits de ferraille ou de vibration.	<ul style="list-style-type: none"> Le congélateur n'est pas de niveau. Le congélateur oscille lorsqu'on le bouge à peine. Le plancher est irrégulier ou faible. Le congélateur oscille lorsqu'on le bouge à peine. Le congélateur touche le mur. 	<ul style="list-style-type: none"> Il oscille lorsqu'on le bouge à peine. Réglez les pieds de mise à niveau. Voyez "Mise à niveau" sous Pour bien commencer. Assurez-vous que le plancher peut soutenir le congélateur. Mettez le plancher de niveau en utilisant des cales en bois sous le congélateur. Refaites la mise à niveau du congélateur ou déplacez-le légèrement. Voyez "Mise à niveau" sous Pour bien commencer.
EAU HUMIDE À L'INTÉRIEUR DU CONGÉLATEUR		
De la condensation se forme sur les parois intérieures.	<ul style="list-style-type: none"> Le temps est chaud et humide, ce qui augmente l'accumulation sur les parois intérieures. Le congélateur est légèrement ouvert. Le congélateur est resté ouvert trop longtemps ou trop souvent. 	<ul style="list-style-type: none"> Ceci est normal. Voyez "PROBLÈMES DE PORTE". Ouvrez-le moins souvent.
EAU HUMIDE À L'EXTÉRIEUR DU CONGÉLATEUR		
De la condensation se forme à l'extérieur du congélateur.	<ul style="list-style-type: none"> Le congélateur est légèrement ouvert, d'où rencontre de l'air froid venant de l'intérieur du congélateur avec l'air chaud et humide ambiant. 	<ul style="list-style-type: none"> Voyez "PROBLÈMES DE PORTE".
ODEUR DANS LE CONGÉLATEUR		
Odeurs dans le congélateur	<ul style="list-style-type: none"> L'intérieur doit être nettoyé. Des aliments dégageant une odeur forte sont dans le congélateur. 	<ul style="list-style-type: none"> Nettoyez l'intérieur avec éponge, eau tiède et bicarbonate de soude. Couvrez hermétiquement ces aliments.
PROBLÈMES DE PORTE		
La porte ne ferme pas.	<ul style="list-style-type: none"> Le congélateur n'est pas de niveau. Le congélateur oscille lorsqu'on le bouge à peine. Le plancher est irrégulier ou faible. Le congélateur oscille lorsqu'on le bouge à peine. 	<ul style="list-style-type: none"> Cette condition peut déformer la caisse et désaligner la porte. Voyez "Mise à niveau" sous Pour bien commencer. Mettez le plancher à niveau à l'aide de cales en bois ou en métal placées sous le congélateur ou renforcez le plancher.
L'AMPOULE NE S'ALLUME PAS		
L'ampoule ne s'allume pas.	<ul style="list-style-type: none"> L'ampoule est grillée. Il n'y a pas de courant qui arrive au congélateur. 	<ul style="list-style-type: none"> Voyez "Éclairage intérieur" sous Caractéristiques du congélateur. Voyez "LE CONGÉLATEUR NE FONCTIONNE PAS".

SERVICE APRÈS-VENTE SEARS

"Nous réparons ce que nous vendons" est assurance sur laquelle vous pouvez compter chez Sears ... et le service après-vente Sears est offert dans tout le pays. Votre congélateur est encore plus précieux lorsque vous considérez que Sears dispose d'établissements de service après-vente dans tout le pays, dotés de techniciens professionnels spécialement formés pour les appareils Sears et possédant pièces, outillage et équipement pour que nous puissions répondre à notre formule ... "Nous réparons ce que nous vendons".

CONTRAT D'ENTRETIEN SEARS

Maintenez la valeur de votre congélateur *Kenmore Elite®* avec un contrat d'entretien Sears. Les congélateurs SEARS sont conçus, fabriqués et mis à l'essai pendant des années pour vous offrir un fonctionnement fiable. Cependant, comme tout appareil moderne, il peut de temps à autre avoir besoin de réparation.

Le contrat d'entretien Sears:

- Vous permet de bénéficier des réparations de demain au prix d'aujourd'hui.
- Supprime les factures de réparation résultant d'un usage normal.
- Vous permet de faire appel au technicien aussi souvent qu'il est nécessaire.
- Vous offre le service de techniciens professionnels formés par Sears.
- Vous propose un contrôle d'entretien préventif, sur demande.

Ce contrat d'entretien ne couvre pas l'installatin de départ, la réinstallation ou les dommages résultant de causes externes telles que actes indépendants de notre volonté, emploi abusif, vol, incendie, inondation, vent, foudre, gel, panne de courant, baisse de tension, etc. Veuillez demander à un vendeur de vous présenter le contrat pour prendre connaissance de toutes les conditions.

CLIENTS SEARS CANADA

Cher client,

Lors de la fabrication de ce produit, de nombreuses étapes ont été prises pour vous offrir la plus haute qualité. Malheureusement, il peut parfois se glisser des erreurs ou omissions. S'il arrivait qu'il manque une pièce ou qu'une pièce soit défectueuse, prenez contact avec le magasin Sears le plus proche de chez vous.

Si vous avez des suggestions qui pourraient nous aider à améliorer nos instructions de montage et de fonctionnement, ou ce produit lui-même, veuillez les écrire en notant les informations ci-dessous et les envoyer par la poste à:

**Sears Canada, Inc. À l'attention de: Service acheteurs 646
222 Jarvis Street
Toronto, Ontario
M5B 2B8**

Acheté par:

Nom: _____

Adresse: _____

Ville: _____ Province: _____

Code Postal: _____ N° DeTel.: _____

N° DeModèle: 970. _____

N° De Série: _____

Date De L'achat ___/___/___

Acheté À Quel Endroit: _____

Commentaires _____

Get it fixed, at your home or ours!

For repair of major brand appliances **in your own home...**
no matter who made it, no matter who sold it!

1-800-4-MY-HOMESM Anytime, day or night
(1-800-469-4663)

www.sears.com

To bring in products such as vacuums, lawn equipment and electronics
for repair, call for the location of your nearest **Sears Parts & Repair Center.**

1-800-488-1222 Anytime, day or night

www.sears.com

For the replacement parts, accessories and owner's manuals
that you need to do-it-yourself, call **Sears PartsDirectSM!**

1-800-366-PART 6 a.m. – 11 p.m. CST,
(1-800-366-7278) 7 days a week

www.sears.com/partsdirect

To purchase or inquire about a Sears Service Agreement:

1-800-827-6655

7 a.m. – 5 p.m. CST, Mon. – Sat.

Para pedir servicio de reparación a domicilio,
y para ordenar piezas con entrega a domicilio:

1-888-SU-HOGARSM
(1-888-784-6427)

Au Canada pour service en français:

1-877-LE-FOYERSM
(1-877-533-6937)

