

GAS WALL OVEN INSTALLATION INSTRUCTIONS



**INSTALLATION AND SERVICE MUST BE PERFORMED BY
A QUALIFIED INSTALLER.**

**IMPORTANT: SAVE FOR LOCAL ELECTRICAL INSPECTOR'S USE.
READ AND SAVE THESE INSTRUCTIONS FOR FUTURE REFERENCE.**

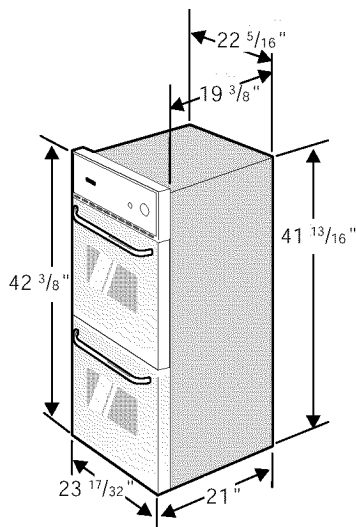
⚠ WARNING If the information in this manual is not followed exactly, a fire or explosion may result causing property damage, personal injury or death.

FOR YOUR SAFETY:

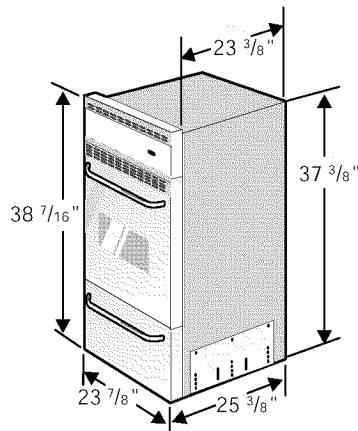
- Do not store or use gasoline or other flammable vapors and liquids in the vicinity of this or any other appliance.
- **WHAT TO DO IF YOU SMELL GAS:**
 - Do not try to light any appliance.
 - Do not touch any electrical switch; do not use any phone in your building.
 - Immediately call your gas supplier from a neighbor's phone. Follow the gas supplier's instructions.
 - If you cannot reach your gas supplier, call the fire department.
- Installation and service must be performed by a qualified installer, service agency or the gas supplier.

Additional Safeguards

- Do not install wall oven beneath the work counter.
- The flue charge shall not be located below the 36" level.



Model with 2 oven cavities



Model with 1½ oven cavity

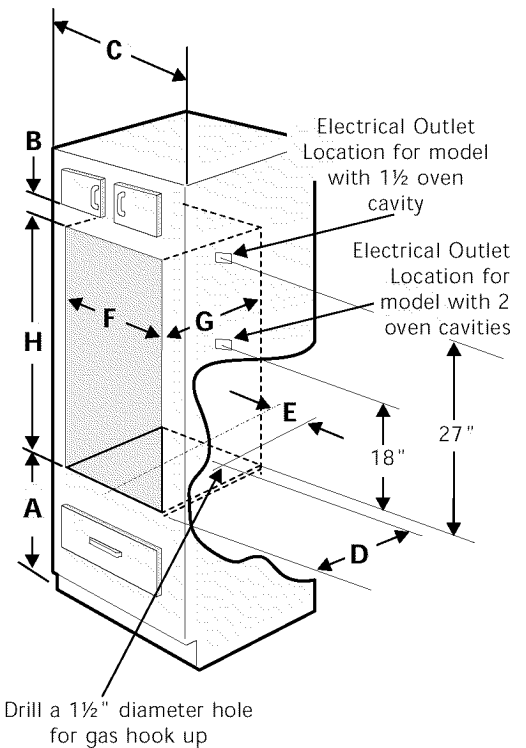


Figure 1

Clearance for complete door opening:

- For model with 2 cavities allow at least 17 5/8".
- For model with 1½ cavity allow at least 19 3/8".

| MODEL | CABINET DIMENSIONS | | | | | CUTOUT DIMENSIONS | | | |
|-----------------------|------------------------|-----------|----------|-------|------|-------------------|------------|------------------------|--|
| | A | B | C | D | E | F | G | H | |
| Model with 2 cavities | 19 ½" Min. | 2 ½" Min. | 24" Min. | 16 ¾" | 7 ⅛" | 22 ½" | 24" Min. | 42 ⅛" | |
| Model with 1 ½ cavity | 10" Min. 27 ½" Max. | 1 ½" Min. | 24" Min. | 20" | 7 ⅝" | 22" | 23 ½" Min. | 37 ½" Min. 39" Max. | |

NOTE: Wiring diagrams for these appliances are enclosed in this booklet.



GAS WALL OVEN INSTALLATION INSTRUCTIONS

Important Notes to the Installer

1. Read all instructions contained in these installation instructions before installing the appliance.
2. Remove all packing material and literature from the oven and broiler compartments before connecting gas and electric supply.
3. Observe all governing codes and ordinances.
4. Be sure to leave these instructions with the consumer.

Important Note to the Consumer

Keep these instructions with your [Use and Care Guide](#) for future reference.

Save these instructions for local inspectors.

IMPORTANT SAFETY INSTRUCTIONS

⚠ CAUTION POWER FAILURE

Do not attempt to operate the oven in the event of a power failure. If power failure should occur during operation, turn the oven control to the OFF position. Failure to turn the oven control off will result in oven operation upon resumption of power to the unit.

Installation of these appliances must conform with local codes or, in the absence of local codes, with the National Fuel Gas Code ANSI Z223.1—latest edition.

These appliances have been design certified by American Gas Association (A.G.A.). As with any appliance using gas and generating heat, there are certain safety precautions you should follow. You will find them in the [Use and Care Guide](#), read it carefully.

- **Be sure your wall oven is installed and grounded properly by a qualified installer or service technician.**
- **These wall ovens must be electrically grounded in accordance with local codes or, in their absence, with the National Electrical Code ANSI/NFPA No. 70—latest edition. See grounding instructions farther in this manual.**
- **The installation of appliances designed for manufactured (mobile) home installation must conform with Manufactured Home Construction and Safety Standard Title 24CFR, Part 3280 [Formerly the Federal Standard for Mobile Home Construction and Safety, Title 24, HUD, (Part 280)] or when such standard is not applicable the Standard for Manufactured Home Installation 1982 (Manufactured Home Sites, Communities and Set-Ups), ANSI Z225.1/NFPA 501-A- latest edition, or with local codes.**

⚠ CAUTION Do not store items or food of interest to children in the cabinets above the appliance.

Children could be seriously burned or injured if they climb on the appliance to reach these items.

- **Do not store or use gasoline or other flammable vapors and liquids near this or any other appliance.** Explosions or fires could result.
- Be certain all packing materials are removed from the unit before operating, to prevent fire or smoke damage should the packing material ignite.
- Do not leave children alone in the kitchen when the appliance is in use. They should not be allowed to sit or stand on any part of the appliance, as injury or burns could result. Keep children from touching the oven door or glass window when the appliance is operating, as the door or window could get hot enough to cause serious burns.
- Remove broiler tray and other utensils from oven before using the self-clean cycle (if equipped).
- Do not use the oven as a store space. This creates a potentially hazardous situation. The appliance requires fresh air for proper burner combustion. Do not obstruct the flow combustion air at the oven vent or around the base or beneath the lower front panel of the appliance. Avoid touching the event openings or nearby surfaces, as they may become hot.
- Remember, your oven is not designed to heat your kitchen. Such abuse could result in fire and/or damage to the unit and will void your warranty.

1. Carpentry

- Refer to figure 1 for the dimensions applicable to your appliance, and the space necessary to receive the oven. Corners must be square.
- Floor cabinet must be able to support 150 pounds and must be flush with bottom of opening.
- Bricked opening (for model with 2 cavities only): If oven is to be installed in brick or stone, first construct a rectangular wooden frame with ½" sides and ¼" top and bottom. The inside dimensions of this frame must be the same as the opening dimensions in the figure 1. Place frame flush in brick opening which shall be snug fit with the outside of frame. Secure frame to brick. Overhang of oven trim will cover brick and wood and will not be exposed. Proceed as in "Cabinet Installation" section farther.

GAS WALL OVEN INSTALLATION INSTRUCTIONS

2. Connect Electricity to Gas Wall Oven

For personal safety, these appliances must be properly grounded.

⚠ WARNING This appliance is equipped with a three-prong grounding plug for your protection against shock hazard and must be plugged directly into a properly grounded receptacle. Do not cut or remove grounding prong from this plug.

The wall receptacle and circuit should be checked by a qualified electrician to make sure the receptacle is properly grounded.

Preferred Method

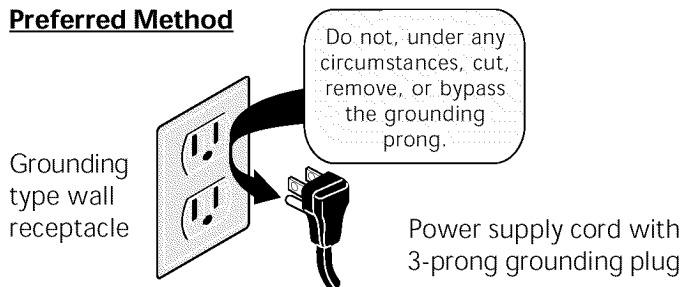


Figure 2

Where a standard 2-prong wall receptacle is installed, it is the personal responsibility and obligation of the consumer to have it replaced by a properly grounded 3-prong wall receptacle.

Do not, under any circumstances, cut or remove the third (ground) prong from the power cord.

If an external electrical source is used, the appliance, when installed, must be electrically grounded in accordance with local codes or in their absence of local codes with the National Electric Code ANSI/NFPA No. 70-1987 or latest edition.

Check all code rules and regulations for connecting the wall oven to be certain the installation conforms with all local, municipal and state codes as well as local utility regulations.

Failure to comply with the above could result in a **serious shock hazard.**

Note: All hookups and adjustments shall be performed by qualified technicians.

⚠ CAUTION Disconnect electrical supply cord from wall receptacle before servicing wall oven.

3. Alternate construction (Model with 1½ oven cavity only)

Installation Instructions for installing a 1½ cavity oven into an existing 2 cavity opening with dimensions 42 1/8" height by 22 1/2" Width.

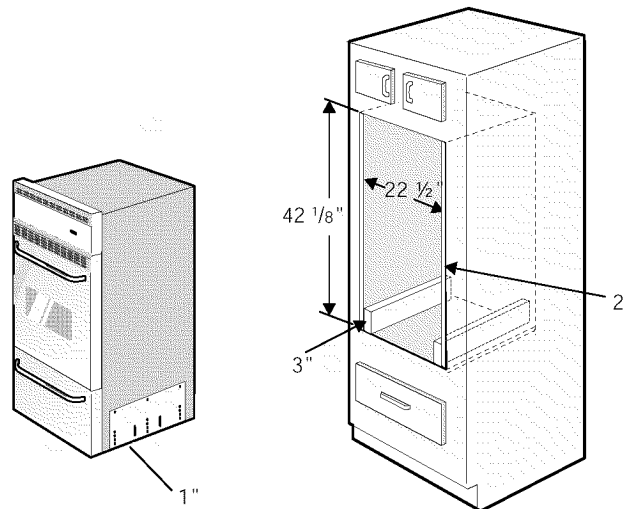


Figure 3

1. Height adjuster - lower height adjuster 1".
2. If width opening is too wide to secure unit to cabinet with mounting screws, add filler strips.
3. 2" X 4" (standard 1 1/2" X 3 1/2") 22" minimum - stand upright and flush with front cabinet. Secure to floor or wall.
4. Lower trim (not shown) - overlap cabinet front (at bottom of cutout 1/4" minimum).

GAS WALL OVEN INSTALLATION INSTRUCTIONS

4. Adjusting Oven Height

(Model with 1 ½ oven cavity only)

Remove and lay aside the lower vent decorative trim that is taped to the side or to the top of the oven. The decorative trim will be fastened to the lower front of the oven after it has been installed in the cabinet.

There is a 1 ½" height adjustment on models with extension panel (see figure 4). With this adjustment and a ½" trim overhang, a unit can be installed in existing openings 37 ½" to 39" high.

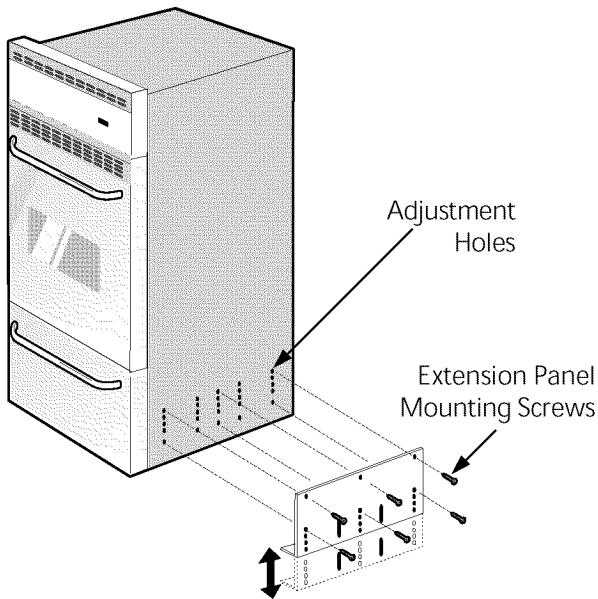


Figure 4

To adjust oven height:

1. Lay oven on its back. (see figure 5).
2. Remove the 6 screws that fasten the side extension panel to the bottom sides of the oven.
3. Move each panel down to the position that increases the oven height to fit your opening. Each position changes oven height approximately ½".
4. Line up the appropriate holes in the side extension panels and sides of the oven. Put the 6 screws back.
5. Proceed with oven installation. Return to upright position.

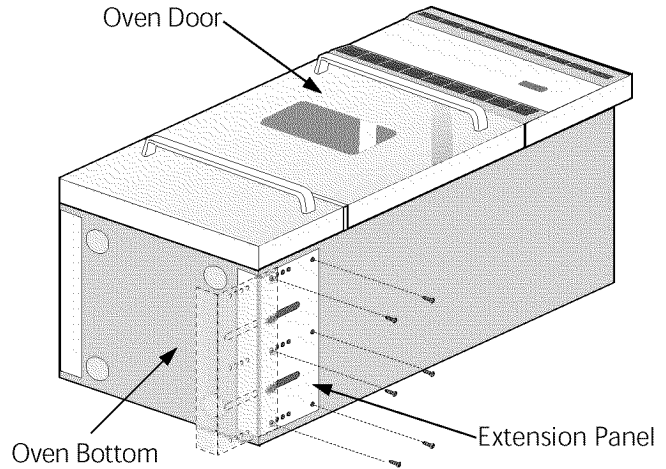


Figure 5

5. Cabinet Installation

A. Model With 1½ Oven Cavity

Insert appliance into cutout. Use the 4 mounting screws provided to fasten the front frame of the appliance to the cabinet (steps 1 below). Keep the 2 decorative screws to fix the decorative trim to the cabinet (step 2 below). The mounting holes in the front frame of appliance may be used as a template to locate the appliance mounting screw holes on the cabinet.

To fasten the appliance to the cabinet (figure 6):

1. Use 4 mounting screws supplied to secure the appliance to the cabinetry. 2 holes are located under the center vent trim on each side, the 2 other holes are visible when the drawer is opened.
2. **Optional:** Install the decorative trim under the appliance (as shown on figure 6) using the 2 decorative screws supplied with the appliance.

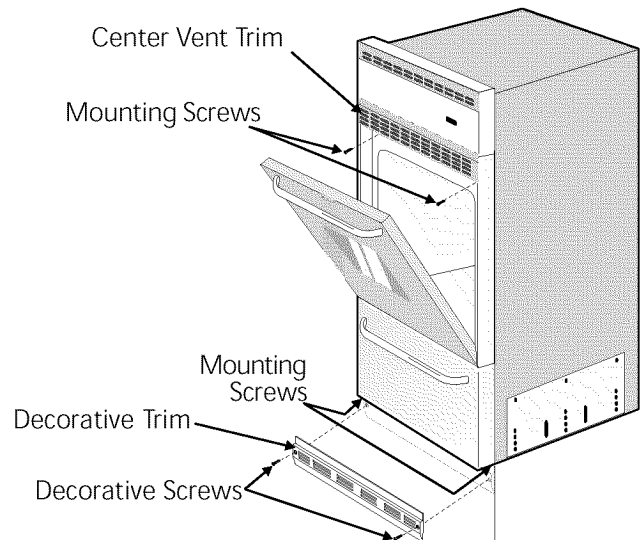


Figure 6

GAS WALL OVEN INSTALLATION INSTRUCTIONS

B. Model With 2 Oven Cavities

Insert appliance into cutout. The unit must be secured in place. Use the 2 screws provided in the miscellaneous parts bag, for mounting the appliance in the mounting holes on each side trim aside the central vent trim (figure 7).

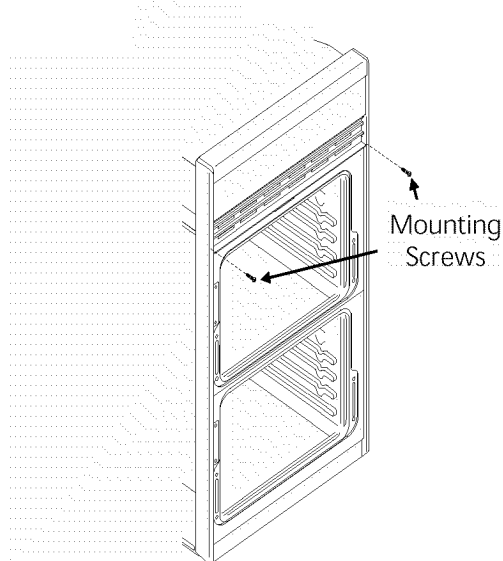


Figure 7

6. Externally Vented Installations Model With 2 Oven Cavities only

IMPORTANT: Refer to the serial plate for information on type of venting, if marked vented, see proper instructions.

NOTE: In some areas, outside venting is required or preferred. For specified models with outside venting provided (see specification sheet), use the following instructions for proper installation of outside venting. Vent pipe must be mechanically fastened to flue collar.

1. Before the oven is placed in the cabinet opening:
 - A. Remove knockout on the top cover of the unit and bend tab up at right angle to the cover.
 - B. Remove the cap that covers the vent by removing the screw.
2. Ease the oven into opening.
 - A. Place the pipe on the vent outlet and drill a 3/32" diameter hole at point "A" (see figure 8). Hole must be drilled so that holes in pipe and flue collar line up.
 - B. Fasten the pipe to flue collar with one screw. (see figure 8).

In order to fasten pipe to flue collar, it will be necessary to move control panel out of the way and reach in to drive screw.

Maintain minimum 1" clearance between the vent pipe and surrounding combustible surfaces as stated on serial plate.

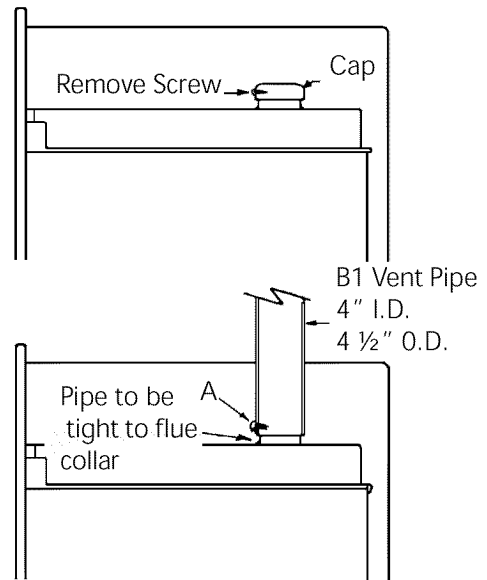


Figure 8

7. Provide an Adequate Gas Supply

Important: Read these instructions carefully before connecting this unit to a gas supply.

The units covered in these instructions are designed to operate on natural gas at 4" of manifold pressure or on LP gas at 10" of manifold pressure.

A convertible pressure regulator is connected in series with the manifold of the wall oven unit and must remain in series with the supply line, regardless of which type of gas is being used.

For proper operation, the maximum inlet pressure to the regulator must not exceed 14" of water column (W.C.) pressure.

To check the regulator, the inlet pressure must be at least 1" (or 3.4 kPa) greater than the regulator manifold pressure setting. If the regulator is set for 4" of manifold pressure, the inlet pressure must be at least 5". If the regulator is set for 10", the inlet pressure must be at least 11".

A manual shut-off valve must be installed on the gas supply line external to the unit and where it can be easily reached for the purpose of turning the gas to the unit on and off.

The gas supply line to the unit should be 1/2" (1.3 cm) or 3/4" (1.9 cm) pipe.

To avoid pilot outage (if applicable) close all openings in the cabinet cavity that encloses this unit. All openings around gas service outlets must be closed at the time of installation.

GAS WALL OVEN INSTALLATION INSTRUCTIONS

8. Connection to gas

A. Model with 1 ½ oven cavity (see figure 9)

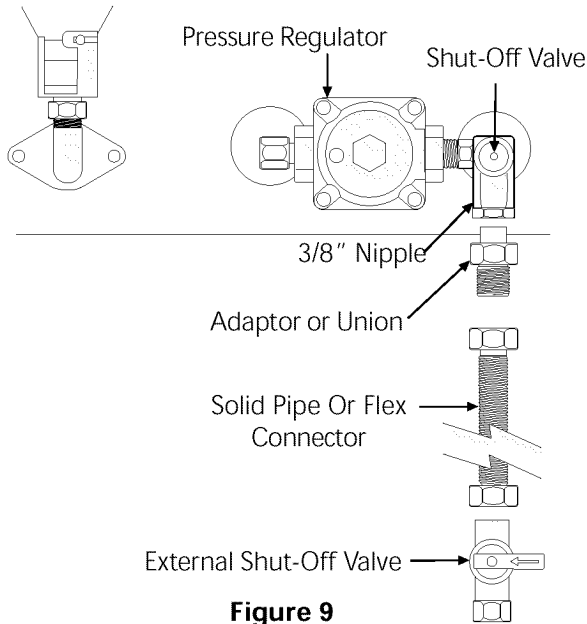


Figure 9

If flexible gas connector is used, gas line must be A.G.A. design certified.

B. Model with 2 oven cavities (see figure 10)

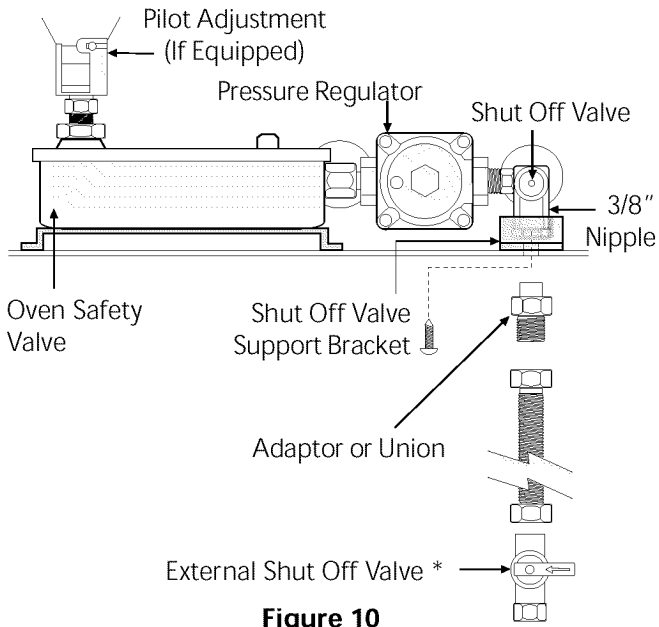


Figure 10

IMPORTANT: Prior to attaching gas piping to the oven, move the shut-off valve support bracket to the left as far as possible and tighten its mounting screw from underneath the oven. This keeps the safety valve/pressure regulator assembly from moving.

BEFORE CONNECTING THE UNIT

Remove all packing material and literature from wall oven before connecting gas and electrical supply to the appliance.

If applicable, remove broiler or storage drawer by pulling drawer out to stops. Lift drawer front to clear stops and pull out.

Leak testing of the appliance shall be conducted according to the manufacturer's instructions.

Check for leaks. After connecting gas, check system for leaks with a manometer. If a manometer is not available shut all pilots off, turn the gas supply on the unit and use a liquid leak detector at all joints and connections.

Tighten all connections if necessary to prevent gas leakage in the wall oven or supply line.

IMPORTANT: A pipe joint sealant resistant to the action of LP Gas must be used on all pipe connections.

CAUTION Do not use a flame to check for leaks from gas connections. Checking for leaks with a flame may result in a fire or explosion.

Disconnect the oven and its individual shutoff valve from the gas supply piping system during any pressure test greater than ½ psig.

Isolate the wall oven from the gas supply piping system by closing its individual manual shutoff valve during any pressure testing of the gas supply piping system at test pressures equal to or less than ½ psig.

9. LP/Propane Gas Conversion

A. Pressure Regulator Conversion

Note: Do not remove the Pressure Regulator.

Convert the Pressure Regulator for use with LP Gas (see figure 11)

If applicable, remove broiler or storage drawer by pulling drawer out to stops. Lift drawer front to clear stops and pull out.

Locate pressure regulator on lower back wall and convert as shown in figure 11.

A. Remove the cap from the pressure regulator.

B. Remove the plunger.

C. Turn the plunger upside down with the enlarge end **TOWARDS** regulator.

D. Replace the plunger inside the regulator. The letters LP or 10" W.C. should be visible on the exposed end of the plunger.

E. Replace the cap on the pressure regulator.

NOTE: The type of gas pressure the regulator is set for is indicated on the top of the plunger.

GAS WALL OVEN INSTALLATION INSTRUCTIONS

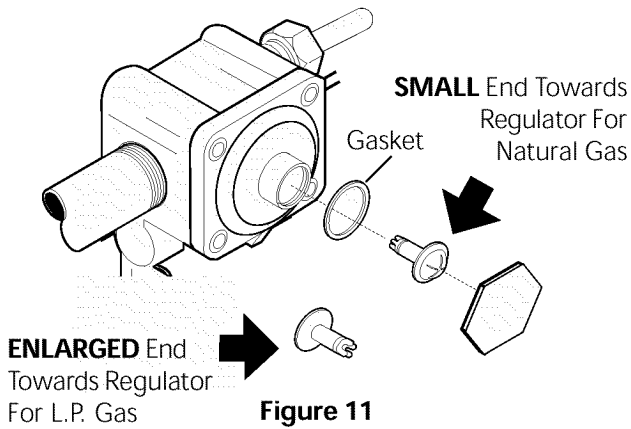


Figure 11

B. Adjust Oven Burner Orifice (see figure 12)

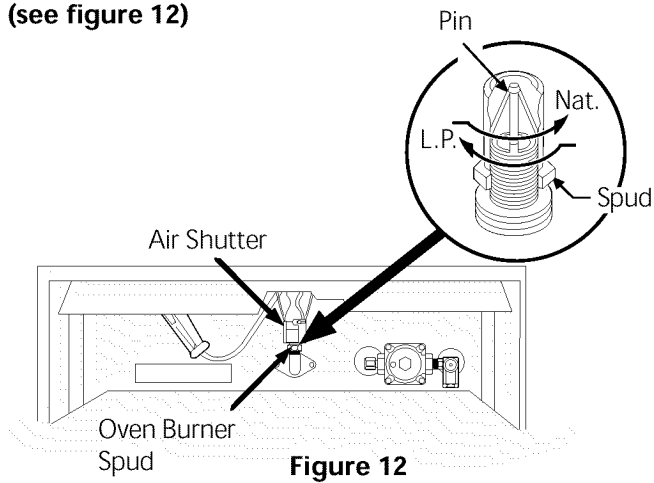


Figure 12

Using a ½" wrench, turn down the adjustable spud which injects gas into the oven burner. Spud approximately 2½ turns until snug against the LP metering pin. Do not overtighten (see figure 12).

C. Adjust Broiler Burner Orifice (Self-Cleaning Models Only) (see figure 13)

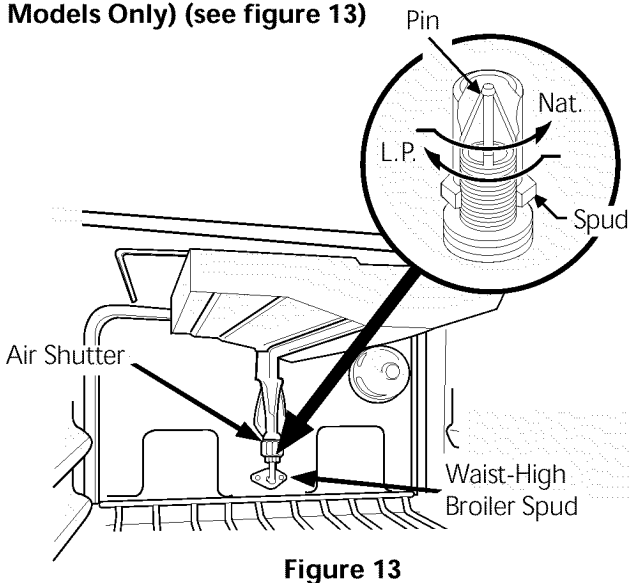


Figure 13

Using a ½" wrench, turn down the adjustable spud which injects gas into the oven burner. Spud approximately 2½ turns until snug against the LP metering pin. Do not overtighten (see figure 13).

10. Natural Gas Conversion

Convert the Pressure Regulator for use with Natural Gas (see figure 11)

- A. Remove the cap from the pressure regulator.
- B. Remove the plunger.
- C. Turn the plunger upside down with the enlarge end UP.
- D. Replace the plunger inside the regulator. The letters NAT or 4" W.C. should be visible on the exposed end of the plunger.
- E. Replace the cap on the pressure regulator.
- F. Turn the valve hoods approximately 2 1/2 turns counterclockwise. This will move the hood away from the mixer pin.
- G. Apply gas, adjust pilots and burner air shutter for proper flame.
- H. There should be 4" WC pressure in the manifold after conversion for proper operation on Natural Gas.

11. Adjustments

Oven/Broiler Flame Adjustment

The air shutter adjustment is located on the venturi tube, which sets on the hood of the valve, and is locked in place with a Phillips head screw. If the air shutter needs adjusting, loosen the screw and rotate the shutter to allow more or less air to the burner tube (see figure 14).

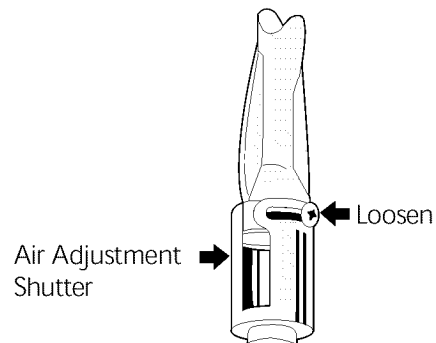


Figure 14

For Natural Gas, the air shutter should be approximately half open. For LP Gas, the air shutter nearly full open.

Too much air will cause the flame to lift away from the burner. Too little air will cause the flame to turn yellow at the outer edges and soot to form.

Remember, the oven will be shipped from the factory set for Natural Gas, unless otherwise stated. If connecting to LP gas, be sure to follow procedure under "Conversion" to change the regulator and burner orifice to the LP setting.

GAS WALL OVEN INSTALLATION INSTRUCTIONS

Observe the oven burner flame to determine if it is right. It should be steady with a blue cone approximately 1" and should not extend out over the edges of baffle. For LP Gas, this will most likely occur when the air adjustment shutter is completely open (see figure 15). Turn Oven Temperature to 300°F and allow oven to cycle on and off.

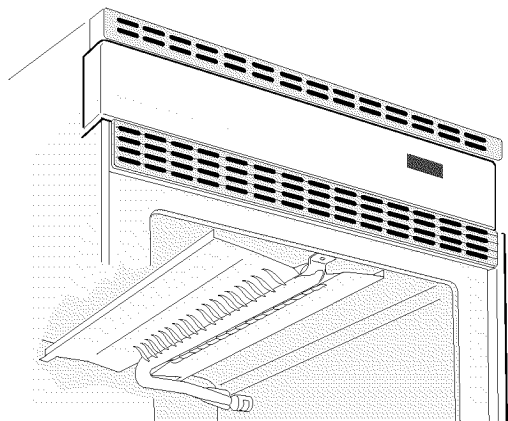


Figure 15

To replace broiler drawer or lower bottom, reverse steps taken for removal. Replace oven rack and/or broiler pan.

12. Check Operation

Refer to the Use and Care Guide packaged with the wall oven for operating instructions and for care and cleaning of your appliance.

Do not touch the oven burner. They may be hot enough to cause burns.

1. Check the Igniters (some models)

Operation of electric igniters should be checked after oven and supply line connectors have been carefully checked for leaks and oven has been connected to electric power.

2. Oven Igniter System

Close the door and turn the Oven Temperature to 300°F. In approximately 60 seconds, the burner should ignite and stay on until oven reaches 300°F. Burner should then cycle on and off to maintain an average temperature of approximately 300°F.

When All Hookups are Complete

Make sure all controls and programmable timer are left in the OFF position.

Reset all controls to the "OFF" position after using a programmable timing operation.

Model and Serial Number Location

The serial plate is located on the left side inner trim of the oven for the model with 1 ½ oven cavity and on the lower oven frame for the model with 2 oven cavities. When ordering parts for or making inquires about your wall oven, always be sure to include the model and serial numbers and a lot number or letter from the serial plate of your appliance.

Your serial plate also tells you the rating of the burners, the type of fuel and the pressure the wall oven was adjusted for when it left the factory.

⚠ WARNING Stepping, leaning or sitting on the oven door or drawer can result in serious injuries and also cause damage to the appliance.

Be sure to keep appliance clear of combustible materials, gasoline and other flammable vapors and liquids.

Before You Call for Service

Read the Avoid Service Checklist and operating and cleaning instructions in your Use and Care Guide.

Check to make sure the house fuse or circuit breaker for your wall oven is not blown or open.

Care, Cleaning and Maintenance for Wall Ovens

If removing the wall oven is necessary for cleaning or maintenance, shut off gas supply. Disconnect the gas and electric supply. Remove the installation screws from front frame and lower trim. Pull out only as far as necessary to disconnect the electric supply line. After disconnecting the gas and electric supply, finish removing the unit for servicing and cleaning. Reinstall in reverse order making sure to level the appliance; check gas connection for leaks.

INSTRUCCIONES PARA LA INSTALACIÓN HORNO EMPOTRADO A GAS



LA INSTALACIÓN Y EL SERVICIO DEBEN SER REALIZADOS POR UN INSTALADOR CALIFICADO.

IMPORTANTE: GUARDE ESTAS INSTRUCCIONES PARA USO DEL INSPECTOR ELÉCTRICO LOCAL.

LEA Y GUARDE ESTAS INSTRUCCIONES PARA FUTURAS REFERENCIAS

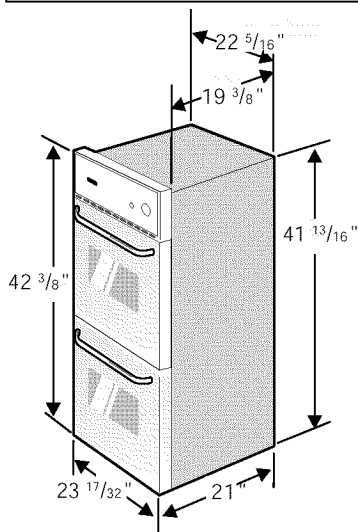
ADVERTENCIA Si todas las instrucciones de éste manual no son observadas a la letra, se puede ocurrir incendios o explosiones que pueden causar daños materiales, lesiones o la muerte.

PARA SU SEGURIDAD:

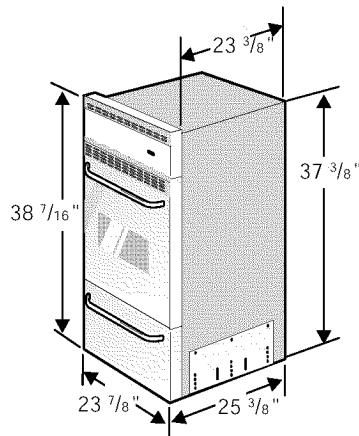
- No almacene o utilice gasolina u otros vapores y líquidos inflamables cerca de éste o cualquier otro artefacto.
- QUE HACER SI HAY FUGAS DE GASÆ
 - No intente de encender ningún artefacto
 - No toque ningún interruptor eléctrico; no utilice ningún aparato telefónico en su edificio.
 - Llame inmediatamente el abastecedor de gas desde el teléfono de un vecino. Siga las instrucciones del abastecedor de gas.
 - En caso que no puede contactar el abastecedor de gas llame al departamento de bomberos.
- La instalación y el servicio telefónico deben ser realizados por un instalador calificado, por un servicio técnico certificado o por el abastecedor de gas.

Medidas de seguridad adicionales

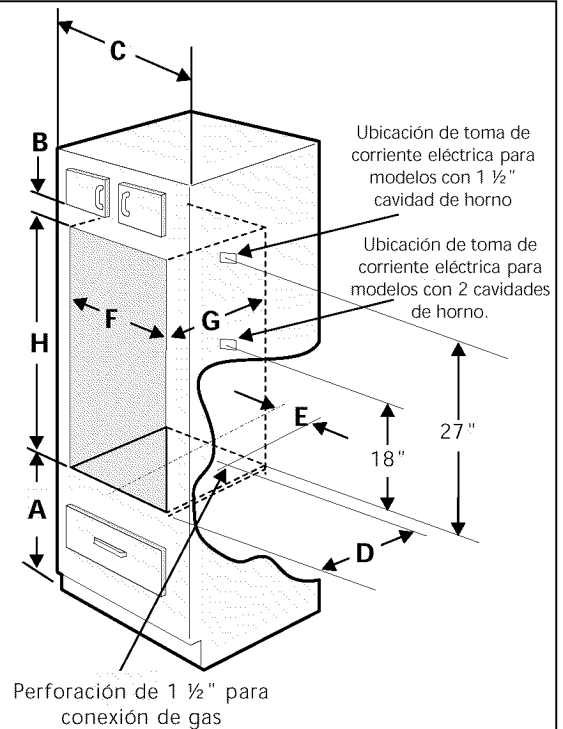
- No instale horno de pared debajo de la mesa de trabajo.
- La salida de descarga no debe estar por debajo de 36" de altura



Modelos con 2 cavidades de horno.



Modelos con 1 1/2 cavidad de horno.



Espacio libre para abrir completamente la puerta:

Para modelos con 2 cavidades de horno deje por lo menos 17 5/8"

Para modelos con 1 1/2 cavidad de horno deje por lo menos 19 3/8"

Figura 1

| MODELO | DIMENSIONES DEL ARMARIO | | | | | DIMENSIONES DEL HUECO | | | |
|---------------------------|--------------------------|-------------|----------|---------|--------|-----------------------|--------------|--------------------------|--|
| | A | B | C | D | E | F | G | H | |
| Modelos con 2 cavidades | 19 1/2" Min. | 2 1/2" Min. | 24" Min. | 16 3/4" | 7 1/8" | 22 1/2" | 24" Min. | 42 1/8" | |
| Modelos con 1 1/2 cavidad | 10" Min. 27 1/2" Máx. | 1 1/2" Min. | 24" Min. | 20" | 7 5/8" | 22" | 23 1/2" Min. | 37 1/2" Min. 39" Máx. | |

NOTA: Se adjunta el diagrama de cables de este horno con el catálogo.



Papel reciclado

P/N 318201551 (0104) Rev. A

English – pages 1-8

Español – páginas 9-17

Diagrama de la instalación alámbrica - páginas 18-20

INSTRUCCIONES PARA LA INSTALACIÓN HORNO EMPOTRADO A GAS

Notas importantes para el instalador:

1. Lea todas las instrucciones de instalación antes de realizar la instalación de la plancha de cocinar.
2. Retire todos los artículos de embalaje antes de realizar las conexiones eléctricas a la plancha de cocinar.
3. Observe todos los códigos o reglamentos estatales
4. Asegúrese que el consumidor tenga estas instrucciones.

Notas importantes para el consumidor

Guarde todas las instrucciones con su manual del usuario para futuras referencias.

INSTRUCCIONES DE SEGURIDAD IMPORTANTES

⚠️ ADVERTENCIA CORTE DE ENERGÍA ELÉCTRICA
No trate de usar el horno de encendido eléctrico durante un corte de energía. En caso de un corte de energía eléctrica coloque todos los controles en posición apagado (OFF). El restablecimiento del servicio eléctrico cuando los controles del horno están en cualquier posición diferente a APAGADO causaría el encendido automático del quemador del horno.

La instalación de este horno empotrado a gas debe realizarse en conformidad con los códigos locales o, si estos no existen, con el National Fuel Gas Code ANSI Z223.1 - última edición.

El diseño de este horno empotrado a gas cuenta con la aprobación de la American Gas Association (A.G.A.). Al igual que todos los artefactos a gas que generan calor, deben seguirse ciertas medidas de seguridad. Vienen con el [Manual del Usuario](#). Lea atentamente el manual.

- **Asegúrese que el horno empotrado sea instalada y puesta a tierra correctamente por un instalador o técnico calificado.**
- **El horno empotrado a gas debe conectarse eléctricamente a tierra de acuerdo con los códigos locales o, de no existir, con el código eléctrico ANSI/NFPA No. 70 - última edición.**
- **La instalación de unidades diseñadas para casas (movibles) deben cumplir con los estándares de "Manufactured Home Construction and Safety Standard, title 24 CFR part 3280". Anteriormente "The Federal Standard for Mobile Home Construction and Safety title 24. HUD (Part 280)". O cuando estos estándares no sean aplicables: "The Standard for Manufactured Home Installation 1982, (Manufactured Home Sites, Communities and set-ups), ANSI Z225. NFPA - 501 A", última edición o códigos y regulaciones locales.**

⚠️ AVISO No almacene alimentos u otros objetos de interés para los niños en alacenas ubicadas

encima de la estufa o en la guarda posterior de esta. Los niños pueden quemarse o lastimarse seriamente si se suben en la estufa para alcanzar estos objetos.

- **No guarde o haga uso de gasolina o otros vapores y líquidos inflamables acerca de esté o cualquier aparato.** Se puede resultar en incendios o explosiones.
- Asegúrese de remover todo el material de embalaje del aparato antes de hacerlo funcionar, para evitar fuego o daños por humo, en caso que el material de embalaje se encendió.
- No permita que los niños estén solos en la cocina cuando la estufa esté en uso. No les permita sentarse o pararse en ninguna parte de la estufa, pues podrían lastimarse o quemarse. Asegúrese de que no toquen la puerta del horno o la ventana de vidrio cuando el horno esté en uso, ya que éstas partes se calientan lo suficiente como para causar quemaduras serias.
- Remueve la bandeja del asador y otros utensilios antes de usar el ciclo de limpieza a si mismo.
- No use el horno como espacio de almacenamiento. Esa situación puede ser peligrosa.
- La estufa requiere aire fresco para que el quemador haga la combustión adecuadamente. No obstruya la circulación de aire de combustión en las ventilaciones del horno, ni alrededor de la base, ni debajo del tablero frontal de la estufa. Evite tocar las aberturas de ventilación y las superficies cercanas pues éstas pueden calentarse.
- Recuerde, su horno no ha sido diseñado para calentar la cocina. Este abuso puede causar un incendio o daño de la unidad y anularía la garantía.

1. Carpintería

- Consulte la figura 1 para conocer las dimensiones pertinentes al modelo de su horno y al espacio necesario en el que poner el horno. Las esquinas deben estar cuadradas.
- El piso del gabinete debe soportar una carga de 150 libras y debe estar nivelado con el fondo de la abertura.
- Abertura en ladrillo (para modelo con 2 cavidades del mismo tamaño solamente): Si el horno va a ser empotrado en ladrillo o piedra, construya primero un marco rectangular de madera de ½" en las laterales y ¼" arriba y abajo. Las dimensiones internas del marco deben ser iguales a las dimensiones internas del marco deben ser iguales a las dimensiones del esquema (22 ½" X 42 ⅛").
Coloque el marco nivelado y ajustado a la abertura en el ladrillo. El sobrecanto (pestaña) del horno cubrirá el marco de madera. Proceda como lo muestra el siguiente esquema.

2. Conexión Eléctrica

Como medida de seguridad personal, este artefacto debe conectarse a tierra correctamente.

⚠ ADVERTENCIA Para su protección contra choques eléctricos este aparato ha sido equipado con un enchufe de tres patas con conexión a tierra apropiada. No remueva la pata redonda de tierra de es enchufe.

Un electricista calificado debe verificar el enchufe de pared y el circuito para asegurar que el enchufe está conectado a tierra correctamente.

Método Preferido

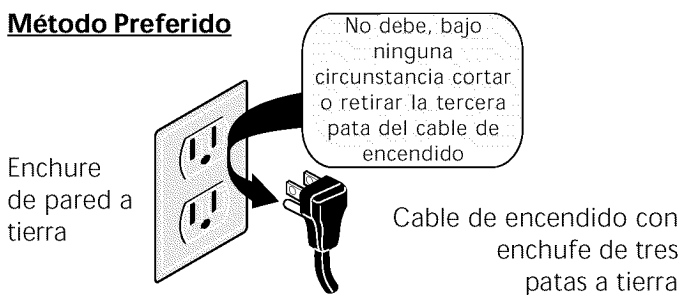


Figura 2

En caso de encontrarse con un enchufe de pared de dos patas, es la personal responsabilidad y la obligación del consumidor reemplazarlo por el enchufe de pared a tierra de tres patas correspondiente.

No debe, bajo ninguna circunstancia cortar o retirar la tercera pata (tierra) del cable de encendido

Si una fuente de eléctrica es utilizada; el aparato debe ser conectado a tierra de acuerdo con las normas locales o de acuerdo las "National Electrical Code" ANSI/NFPA No. 70-1987 o última edición.

Verifique todos los códigos, normas o regulaciones para cerciorarse que la instalación está de acuerdo a los códigos locales, estatales y de las empresas de servicio de energía locales.

El incumplimiento las anteriores recomendaciones, puede resultar en **un peligroso coque eléctrico**.

Nota: Todas las conexiones y ajustes deben de ser realizados por un técnico calificado.

⚠ PRECAUCION Desconecte el cable del suministro eléctrico del enchufe de pared antes de reparar la plancha de cocinar.

3. Alternativa de construcción

(Para modelo con 1 ½ cavidades solamente)

Instrucciones para instalar un horno de 1 ½ cavidades en una abertura existente para horno de 2 cavidades con dimensiones de 42 1/8" de alto por 22 1/2" de ancho.

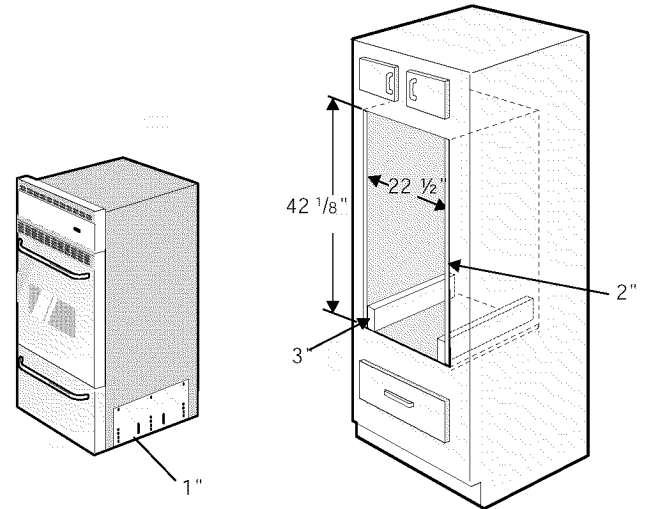


Figura 3

1. Ajuste de altura - ajuste inferior de altura de 1".
2. Si la abertura es demasiado ancha para fijar la unidad al gabinete con tornillos de montaje, ajuste con las tiras de relleno.
3. 2" X 4" (1 ½" X 3 ½" standard) 22" mínimo - para al derecho, nivele con el frente del gabinete. Asegure al suelo o al pared.
4. Moldura inferior (no se muestra) - monte al menos ¼" sobre el frente del gabinete (en parte inferior de abertura).

4. Ajustando la Altura del Horno

(Para modelos con 1 ½ cavidades solamente)

Retire y ponga a un lado la rejilla baja de ventilación que está pegada a la parte exterior del panel del horno. La rejilla será fijada a la parte de baja del frente del gabinete después de que éste haya sido instalado en el gabinete.

Este modelos de horno cuenta con un ajuste de altura de 1 ½" (ver figura 4). Con este ajuste y la pestaña de ½" el horno puede ser instalado en aberturas existentes de 37 ½" a 39" de altura.

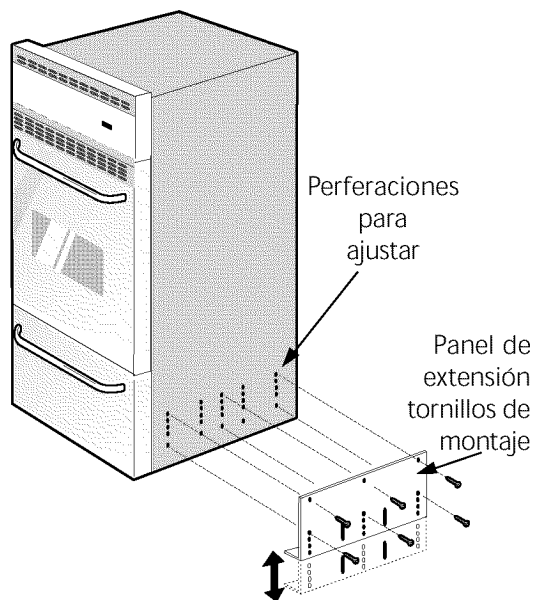


Figura 4

Para ajustar la altura del horno:

1. Coloque el horno sobre su parte posterior (ver figura 5).
2. Remueva los 6 tornillos que aseguran el panel lateral de extensión a la partes laterales inferiores del horno.
3. Mueva cada panel hasta la posición que mejor ajuste la altura del horno al tamaño de su abertura. Cada posición cambia la altura del horno aproximadamente ½".
4. Alineé los orificios del panel lateral de extensión con los de las paredes laterales del horno. Vuelva a colocar los 6 tornillos.
5. Proceda con la instalación del horno. Vuelva a colocar el horno sobre su base.

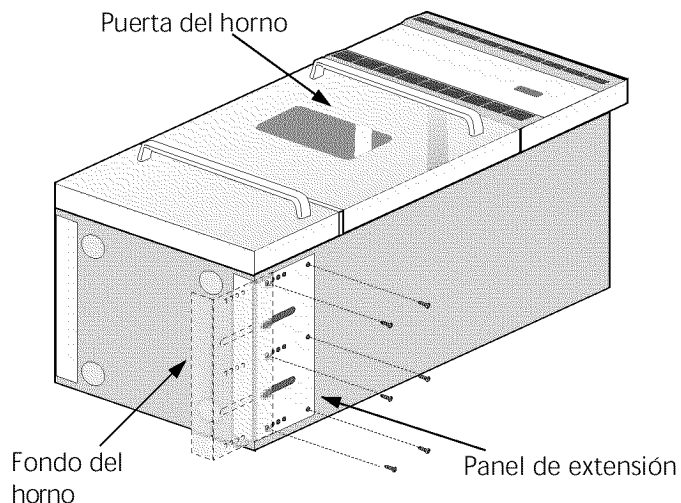


Figura 5

5. Instalación del gabinete

A. Modelo con una cavidad de 1 ½ para el horno

Introduzca el artefacto en el espacio designado. Use los 4 tornillos para fijar la parte delantera del artefacto al gabinete (etapa 1 aquí abajo). Guarde los tornillos decorativos para fijar el marco al gabinete (etapa 2 aquí abajo). Los hoyos de montaje en la parte delantera del artefacto pueden ser utilizados como referencia para localizar los hoyos de montaje en el gabinete.

Para ajustar el artefacto al gabinete (figura 6):

1. Utilice los 4 tornillos de montaje para fijar el artefacto al gabinete. 2 hoyos están localizados bajo el marco de ventilación a cada lado, los otros 2 hoyos son visibles cuando la gaveta está abierta.
2. **Facultativo:** Instale el marco decorativo bajo el artefacto (como lo muestra la figura 6) utilizando los 2 tornillos decorativos proporcionados con el artefacto.

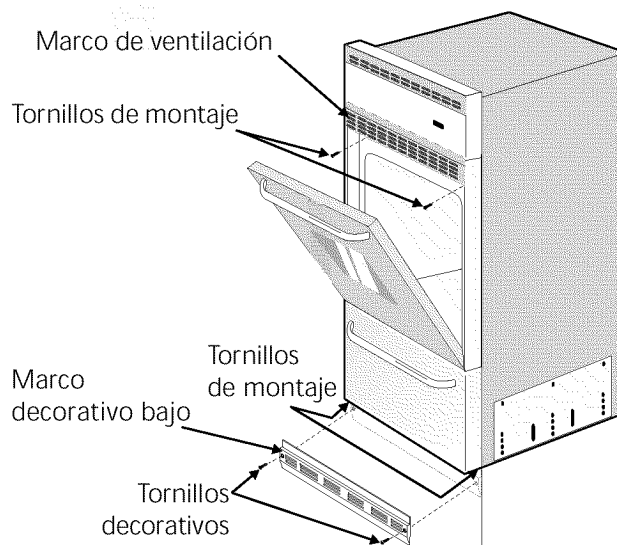


Figura 6

INSTRUCCIONES PARA LA INSTALACIÓN HORNO EMPOTRADO A GAS

B. Modelo con 2 Cavidades

Introduzca el artefacto en el recortado. El electrodoméstico debe ser sujetado en su lugar. Utilice los dos tornillos provistos en la bolsa de piezas varias para montar el electrodoméstico en los orificios de montaje a cada lado del armazón del horno, por encima de la puerta (figura 7).

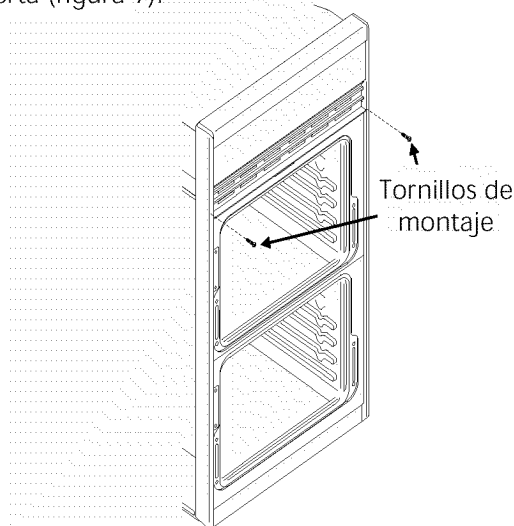


Figura 7

6. Instalaciones ventiladas exteriormente

Modelo con 2 Cavidades

IMPORTANTE: Refersirse a la placa de la serie para información en el tipo de ventilación. Si la ventilación está marcada o especificada, ver las instrucciones pertinentes.

NOTA: En algunas zonas, la ventilación al exterior es requerida o preferida. Para modelos especificados con ventilación al exterior (ver hoja de especificaciones). Use las siguientes instrucciones para una correcta instalación de la ventilación al exterior. El tubo de ventilación debe estar mecánicamente amarrado al collar de salida. Ver detalle.

1. Antes de colocar el horno en la abertura:
 - A. Remueva el destapadero de la parte alta de la cubierta y doble la pestaña en ángulo recto con respecto a la cubierta.
 - B. Remueva la tapa que protege la ventilación quitando el tornillo.
2. Deslice el horno la abertura:
 - A. Coloque el tubo en la salida de la ventilación y taladre un hueco de 3/32" de diámetro en el punto "A" (ver figura 8). La perforación en el tubo debe ser hecha de manera que coincida con la de la salida de la ventilación.
 - B. Ajuste la tubería de ventilación a la salida de ventilación con un tornillo (ver figura 8).

Para ajustar el tubo a la salida es necesario remover el panel de controles para poder alcanzar el tornillo.

Guarde al menos 1" de margen libre entre la tubería de ventilación y los elementos combustibles vecinos (como lo establece la placa de serie)

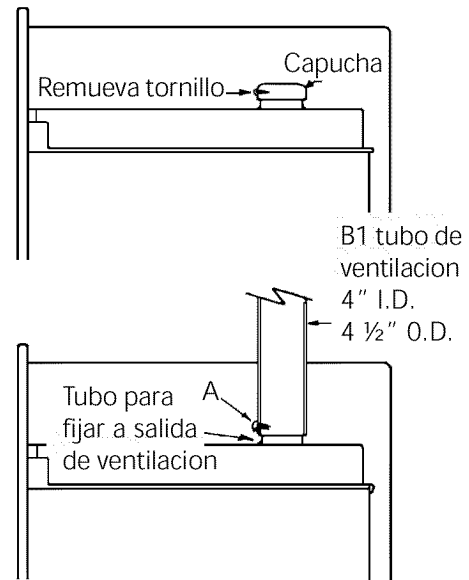


Figura 8

7. Provea un adecuado suministro de gas

Importante: Lea estas instrucciones cuidadosamente antes de conectar esta unidad al suministro de gas.

Las unidades a las cuales se refieren estas instrucciones han sido diseñadas para operar con gas natural de 4" WC o gas LP de 10" WC.

Se conecta un regulador convertible de presión en serie al múltiple de el horno empotrado y debe permanecer en serie con la línea de suministro de gas, independientemente del tipo de gas que se esté usando.

Para que manejo correcto, la presión de entrada máxima hacia el regulador no debe exceder 14" (W.C.) de presión de la columna de agua.

Para controlar el regulador, la presión de entrada debe ser de al menos 1" (o 3.4 Kpa) mayor que el ajuste de la presión del múltiple del regulador. El regulador se ajusta a 4" de la presión del múltiple, la presión de entrada debe de ser de al menos 5". El regulador se ajusta a 10" de la presión del múltiple, la presión de entrada debe de ser de al menos 11".

Una válvula de corte manual externa a la unidad debe instalarse en la línea de suministro de gas. El propósito de esta válvula es poder abrir o cerrar al suministro de gas a la unidad. Esta válvula debe estar localizada en un sitio de fácil acceso para cerrar el suministro de gas a la unidad.

La línea de suministro de gas por el plancha de cocinar debería tener un tubo de 1/2" o de 3/4".

INSTRUCCIONES PARA LA INSTALACIÓN HORNO EMPOTRADO A GAS

Para evitar que el piloto se apague (si puede aplicarse), cierre todas las aberturas de la cavidad del gabinete que encierra la unidad. También cualquier abertura alrededor de las salidas del servicio de gas deben estar cerrados en el momento de la instalación.

8. Conexión del gas

A. Modelo con 1 ½ cavidades (vea figura 9)

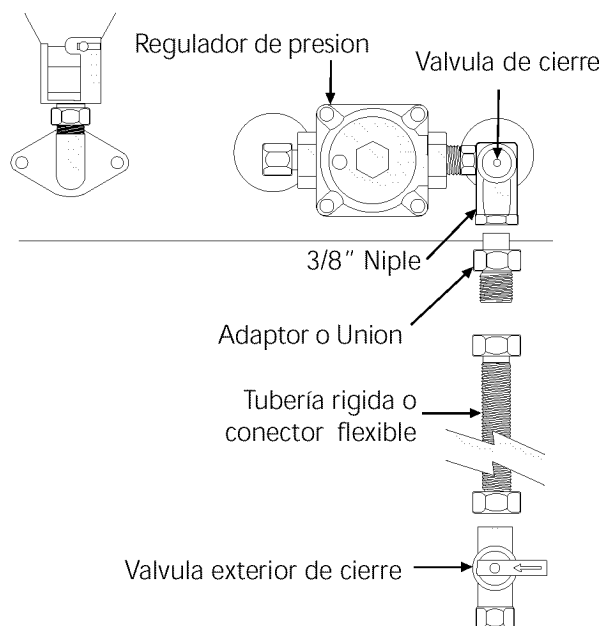


Figura 9

Si se utiliza conector de gas flexible, la línea de gas deberá ser de diseño A.G.A. certificado.

B. Modelo con 2 cavidades (vea figura 10)

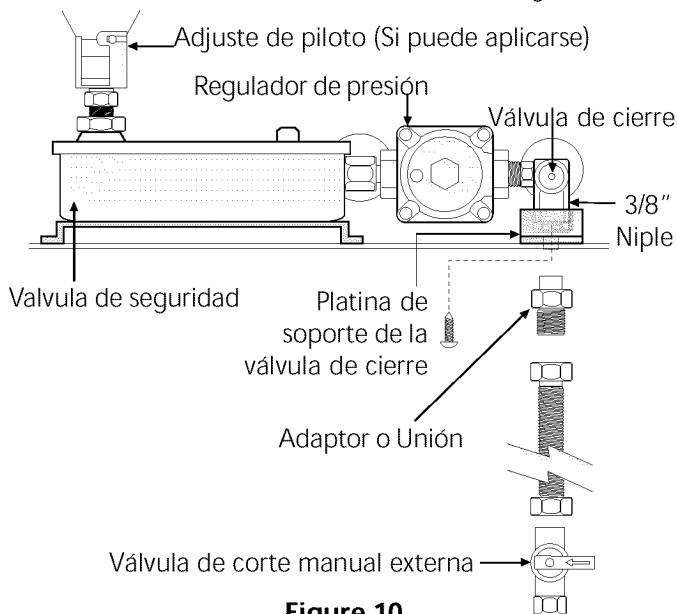


Figure 10

IMPORTANTE: Antes de conectar la tubería de gas al horno mueva la platina de soporte de la válvula de cierre completamente hacia la izquierda y apriete el tornillo que la sostiene desde debajo del horno. Esto asegura que el ensamblaje del regulador de presión de la válvula de seguridad no se mueva.

ANTES DE CONECTAR ESTA UNIDAD

Retire todos los artículos de embalaje y folletos de el horno empotrado antes de realizar las conexiones de gas y eléctricas a el horno.

Si necesario, remueva al asador o el cajón de almacenamiento hallándolo hacia afuera hasta los topes, luego saque hacia afuera.

Verificar si hay fugas en el electrodoméstico, la verificación debe de ser realizada según las instrucciones del fabricante.

Verifique si hay fugas. Luego de conectar la cocina al gas, verifique el sistema con un manómetro. Si no cuenta con este instrumento, dé la vuelta al suministro de gas de la cocina y utilice un detector de fugas líquidas (o agua y jabón) en todas las articulaciones y conexiones para verificar si existen fugas.

Ajuste todas las conexiones en caso que sea necesario, para evitar fugas de gas en la cocina o en el tubo de suministro de gas

IMPORTANTE: Para las uniones de tubería debe usarse un sellante de unión de tubería que sea resistente a la acción del gas LP.

⚠️ ADVERTENCIA No use ningún tipo de llama para verificar si hay fugas de gas. Verifique si hay fugas con una llama puede ocasionar incendio o explosión.

Desconecte el horno y su válvula de cierre individual del sistema de tubería del suministro de gas durante cualquier ensayo de presión del sistema en ensayos de presión superiores a 1/2 psig (3.5 kPa o 14" columna de agua).

Aparte el horno del sistema de tubería del suministro de gas cerrando su válvula de cierre individual manual, durante cualquier ensayo de presión del sistema de suministro de gas en ensayos iguales o inferiores a 1/2 psig (3.5 kPa o 14" columna de agua).

9. Conversión de Gas Propano/ Licuado

A. Conversión del regulador de presión

Nota: No remueva el regulador de presión.

Convertir el regulador de presión para que se pueda usar con Gas LP/Propano (vea figura 11)

Si necesario, remueva al asador o el cajón de almacenamiento hallándolo hacia afuera hasta los topes, luego saque hacia afuera.

Localice el regulador de presión en la parte inferior de la pared trasera y modifique como se muestra en la figura 11.

- Remueva la tapa del regulador de presión.
- Remueva el pistón de la tapa.
- Dé la vuelta al pistón, poniendo la **GRANDE** extremidad hacia el regulador.
- Vuelva a poner el pistón dentro de la tapa. Las letras LP o 10" W.C. deben de estar visibles en la extremidad descubierta del pistón.
- Vuelva a poner la tapa del regulador.

NOTA: El tipo de presión de gas para el cual ha sido calibrado el regulador esta indicado en la parte superior del pistón.

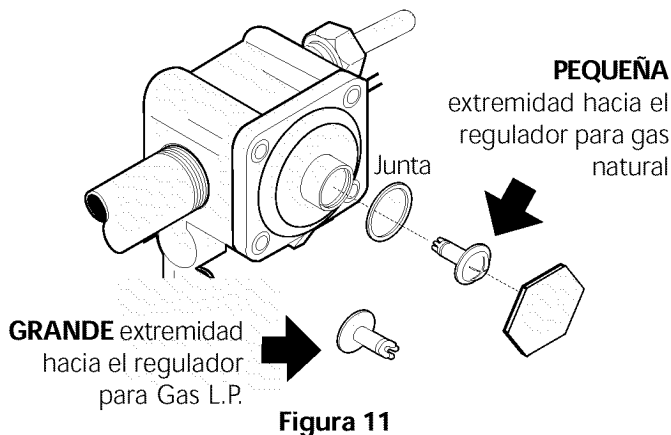


Figura 11

B. Ajuste del orificio del quemador del horno (vea figura 12)

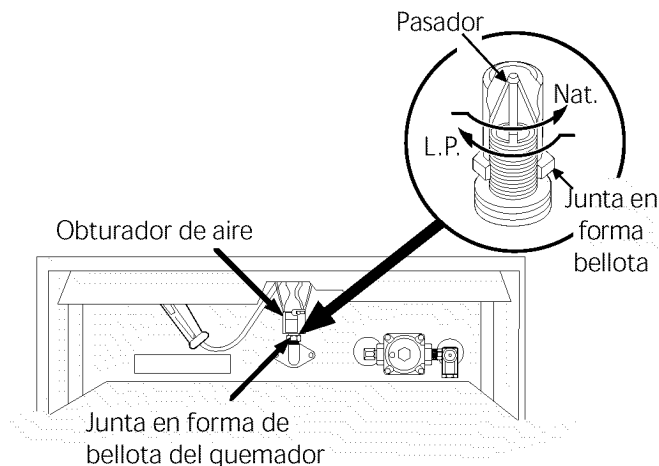


Figura 12

Usando una llave de ½", giro hacia abajo la junta en forma de bellota ajustable que inyecta gas al quemador del horno. Gire esta junta en forma de bellota hasta que ajuste contra el pasador medidor de LP. Esto será aproximadamente 2 ½ vueltas. No lo apriete demasiado (vea figura 12).

C. Ajuste del orificio del quemador del asador (Modelos autolimpiadores solamente) (vea figura 13)

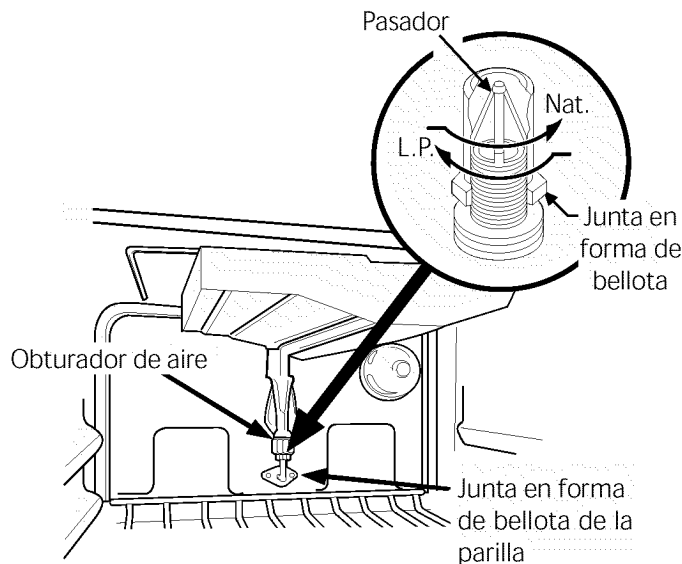


Figura 13

Usando una llave de ½", giro hacia abajo la junta en forma de bellota ajustable que inyecta gas al quemador del horno. Gire esta junta en forma de bellota hasta que ajuste contra el pasador medidor de LP. Esto será aproximadamente 2 ½ vueltas. No lo apriete demasiado (vea figura 13).

10. Conversión de Gas Natural

Convertir la unidad de Gas LP/Propano a Gas Natural, proceda de la siguiente manera (vea figura 11)

- A. Remueva la tapa del regulador de presión.
- B. Remueva el desatascador.
- C. Gire el desatascador hacia arriba con el lado grande hacia arriba.
- D. Ponga el desatascador entre el regulador. Las letras NAT o 4" WC deben estar a la vista en la parte expuesta del desatascador.
- E. Coloque la tapa en el regulador.
- F. Gire la capucha de la válvula aproximadamente 2 1/2 vueltas en el sentido contrario a las manecillas del reloj. Esto separará la capucha del pasador mezclador.
- G. Pase gas, ajuste los pilotos y el quemador para obtener una llama conveniente.
- H. Debera haber 4" WC de presión en el multiple después de este cambio para operar propiamente con gas natural.

Use un manómetro para chequear la presión en el multiple, Si hay alguna duda. Recuerde la presión de entrada debe ser al menos 1" WC más alta que la presión de salida. La presión de entrada en el regulador nunca debe exceder 14" WC.

11. Ajuste de la llama del quemador del horno/asador

Ajuste el obturador de aire. Está localizado en el vénturi, junto a la capucha de la válvula y es fijado en su lugar por un tornillo con cabeza tipo Phillips. Si éste necesita ajuste, afloje el tornillo y rota el obturador para permitir más o menos aire en el tubo del quemador. (vea figura 14).

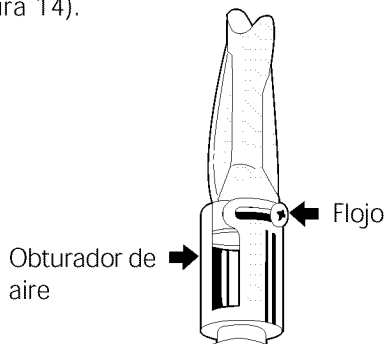


Figura 14

Para gas natural la entrada de aire deberá estar aproximadamente medio abierta. Para gas LP la entrada de aire deberá estar casi totalmente abierta.

Demasiado aire haría que la llama se alejara del quemador. Una entrada insuficiente de aire causaría la coloración amarilla del borde externo de la llama y la formación de hollín.

Recuerde, el horno será despacho de la fábrica preparado para trabajar con gas natural, a menos que se especifique algo diferente. Si se va a conectar a LP G35 asegúrese de seguir el procedimiento indicado en "Conversión" para cambiar el regulador y el orificio del quemador a la ubicación LP.

Para determinar si la llama del quemador del horno es la apropiada, observe la llama. Esta debe estar estable formando conos azules de 1" aproximadamente. La llama no debe extenderse por encima de los bordes del resonador. Para gas LP, esto ocurre más frecuentemente cuando el obturador de ajuste de aire está completamente abierto (vea figura 15).

Ponga el botón de OVEN TEMP (temperatura del horno) en 300°F, y permita que el horno alterne entre "ON" y "OFF" (prendido y apagado).

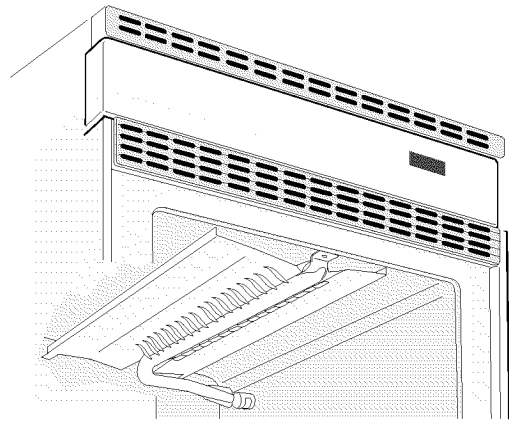


Figura 15

Para volver a colocar el cajón o el fondo inferior del asador, siga en forma inversa los pasos tomados para retirarlo. Vuelva a colocar la parrilla del horno y/o la bandeja del asador.

12. Verifique la operación

Refiera al [Manual del Usuario](#) que viene con el horno empotrado para las instrucciones de funcionamiento y el mantenimiento y la limpieza de su horno empotrado.

No toque a los quemadores. Pueden estar suficientemente calientes para causar quemaduras.

1. Verifique los dispositivos de encendido (algunos modelos)

La manipulación de los dispositivos de encendido eléctrico deberá verificarse tras haber revisado detenidamente el horno y los conectores del tubo del suministro de fugas y tras haber conectado el horno al suministro eléctrico.

2. Sistema de encendido del horno

Cierre la puerta del horno y gire el botón de OVEN TEMP (temperatura del horno) a 300°F. En 60 segundos aproximadamente, el quemador debe prender y permanecer encendido hasta que el horno alcance 300°F. El quemador seguirá alternando entre encendido y apagado para mantener una temperatura promedio de aproximadamente 300°F.

Cuando se han realizado todos los sistema de conexión

Asegúrese que todos los controles están en la posición de OFF (apagado).

Vuelva a colocar todos los controles en la posición de "OFF" (apagado) después de utilizar el funcionamiento de programación cronometrada.

Modelo y ubicación del número de serie

La placa de serie está ubicada al interior del contramarco izquierdo del horno para modelos con 1 ½ cavidad de horno y en el armazón de bajo del horno para modelos con 2 cavidades de horno.

Asegúrese de incluir el modelo, número de serie y el número o letra de lote que se encuentran en la placa, en todo pedido de partes o solicitud de información acerca de su horno empotrado.

La placa de número de serie también indica las especificaciones de los quemadores, el tipo de combustible y la presión para la cual fué ajustada el horno empotrado en la fábrica.

⚠ ADVERTENCIA El apoyarse, pisarse o sentarse en la puerta o en la gaveta de este horno puede ocasionar graves heridas y también daños a la plancha de cocinar.

Asegúrese de no almanecer sobre o dentro el aparato materiales inflamables, gasolina y otros líquidos inflamables o latas en aerosol.

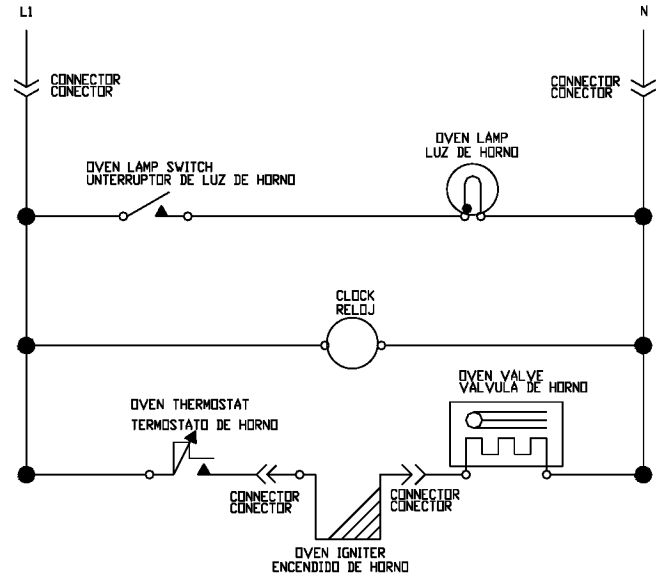
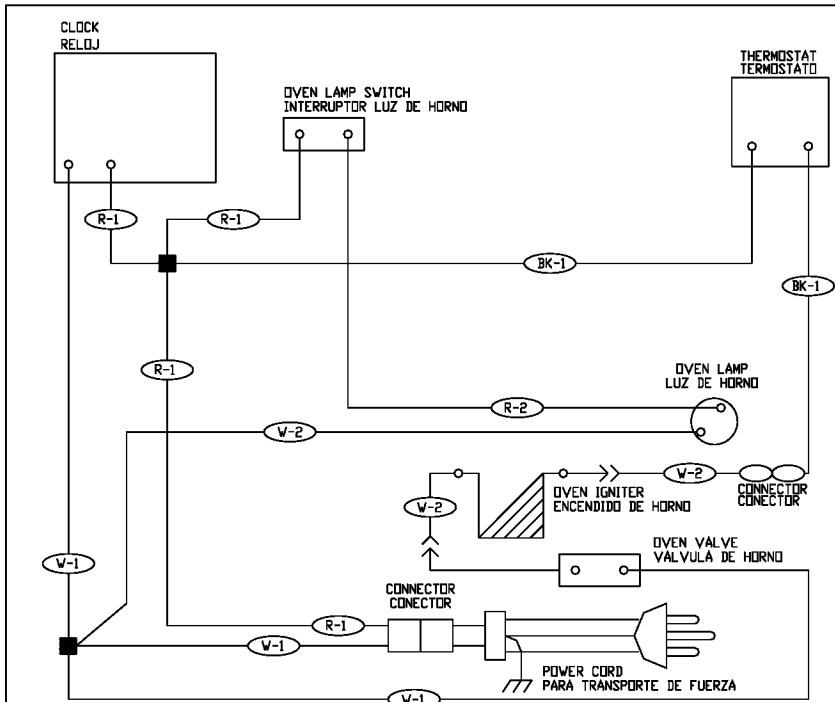
Antes de llamar al servicio técnico

Lea la lista titulada "Evitando Llamadas de Servicio" y las instrucciones de funcionamiento en su [Manual del Usuario](#).

Verifique que los fusibles de la casa no se hayan fundido o el cortocircuito del horno no haya saltado o abierto.

Cuidado, limpieza y mantenimiento

Cierre el suministro de gas en caso de ser necesario remover la unidad para su limpieza o reparación. Desconecte la línea de suministro de gas. Remueva los tornillos de instalación del marco frontal y la parrilla inferior. Hale hacia afuera apenas lo necesario para poder desconectar del toma eléctrico. Después de desconectar del suministro eléctrico y de gas, termine de remover la unidad para su limpieza o mantenimiento. Reinstale siguiendo el procedimiento inverso. Asegúrese de nivelar la estufa y verificar que no halla escapes en la conexión de gas.



WARNING
DISCONNECT POWER
BEFORE SERVICING UNIT.

AVISO:
DESCONECTE LA ENERGIA ANTES
DE REALIZAR EL MANTENIMIENTO
DEL ELECTRODOMESTICO

(W/BL - 1)

COLOR WIRE NO.
NO. DE COLOR DE ALAMBRE

COLOR CODE
CODIGOS DE COLOR

| | | | |
|----|----------------|----|-----------------|
| BK | BLACK/NEGRO | BR | BROWN/MORENO |
| OR | ORANGE/NARANJA | V | VIOLET/VIOLETA |
| T | TAN/TOSTADO | Y | YELLOW/AMARILLO |
| C | COPPER/COBRE | GY | GRAY/GRAY |
| BL | BLUE/AZUL | G | GREEN/VERDE |
| P | PINK/ROSA | R | RED/ROJO |
| W | WHITE/BLANCO | PR | PURPLE/PURPURA |

| | | | |
|-----------------|----------------|---------|---------------------|
| WIRE ALAMBRE | GAGE MEDIDA | TEMP °C | UL STYLE MODO UL |
| | 2 | 18 | 200 3122 |
| | 1 | 18 | 150 3321 |

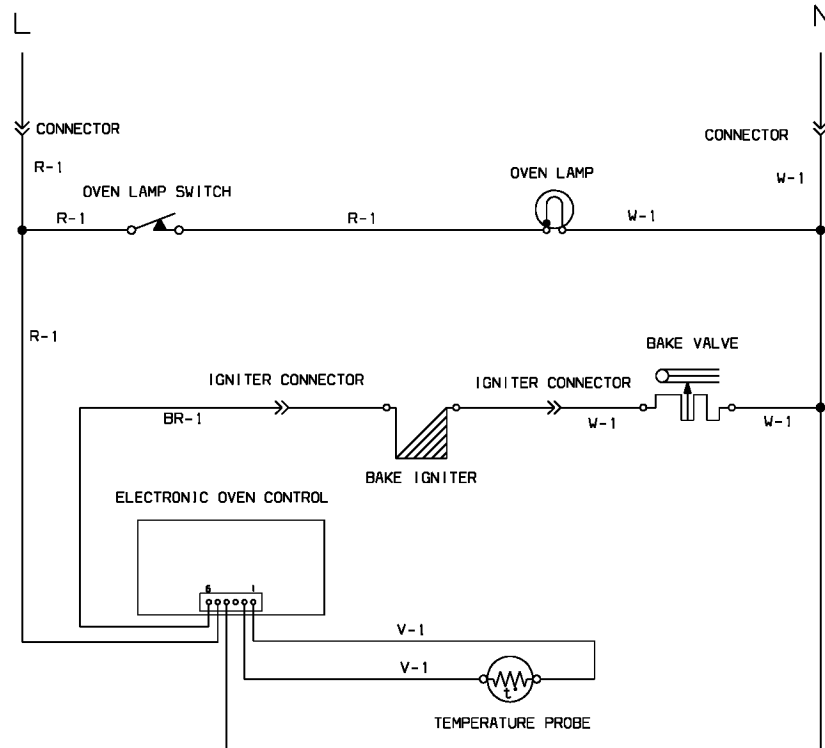
CAUTION:
LABEL ALL WIRES PRIOR TO DISCONNECTION WHEN SERVICING CONTROLS.
WIRING ERROR CAN CAUSE IMPROPER AND DANGEROUS OPERATION.
VERIFY PROPER OPERATION AFTER SERVICING.

AVISO:
ETIQUETE TODOS LOS ALAMBRES ANTES DE DESCONECTAR PAR REALIZAR EL
MANTENIMIENTO DE LOS CONTROLES.
ERROR DE ALAMBRAJE PUEDE CAUSAR UN FUNCIONAMIENTO INCORRECTO Y
PELIGROSO.
VERIFIQUE SI EL FUNCIONAMIENTO ESTA CORRECTO DESPUES DEL MANTENIMIENTO.

NOTE:
SERVICE IF REPLACEMENT OF TERMINALS BECOMES NECESSARY, COMPARABLE WIRE TYPE AND
GAGE AND COMPARABLE TERMINALS MUST BE USED.
NOTA:
EN CASO QUE SEA NECESARIO DE REEMPLAZAR LOS BORNES, ES NECESARIO DE UTILIZAR
EL MISMO TIPO DE ALAMBRE Y DE MEDIDOR Y EL MISMO TIPO DE BORNES.

318046113 REV. A

SCALE = 10000



WARNING

DISCONNECT POWER
BEFORE SERVICING UNIT

COLOR WIRE NO.

W-1

COLOR CODE

| | | | |
|----|--------|----|--------|
| BK | BLACK | P | PINK |
| BL | BLUE | PR | PURPLE |
| BR | BROWN | R | RED |
| C | COPPER | T | TAN |
| G | GREEN | V | VIOLET |
| GY | GRAY | W | WHITE |
| O | ORANGE | Y | YELLOW |

| WIRE | GAGE | TEMP °C | UL STYLE |
|------|------|---------|----------|
| 1 | 18 | 125 | 3173 |

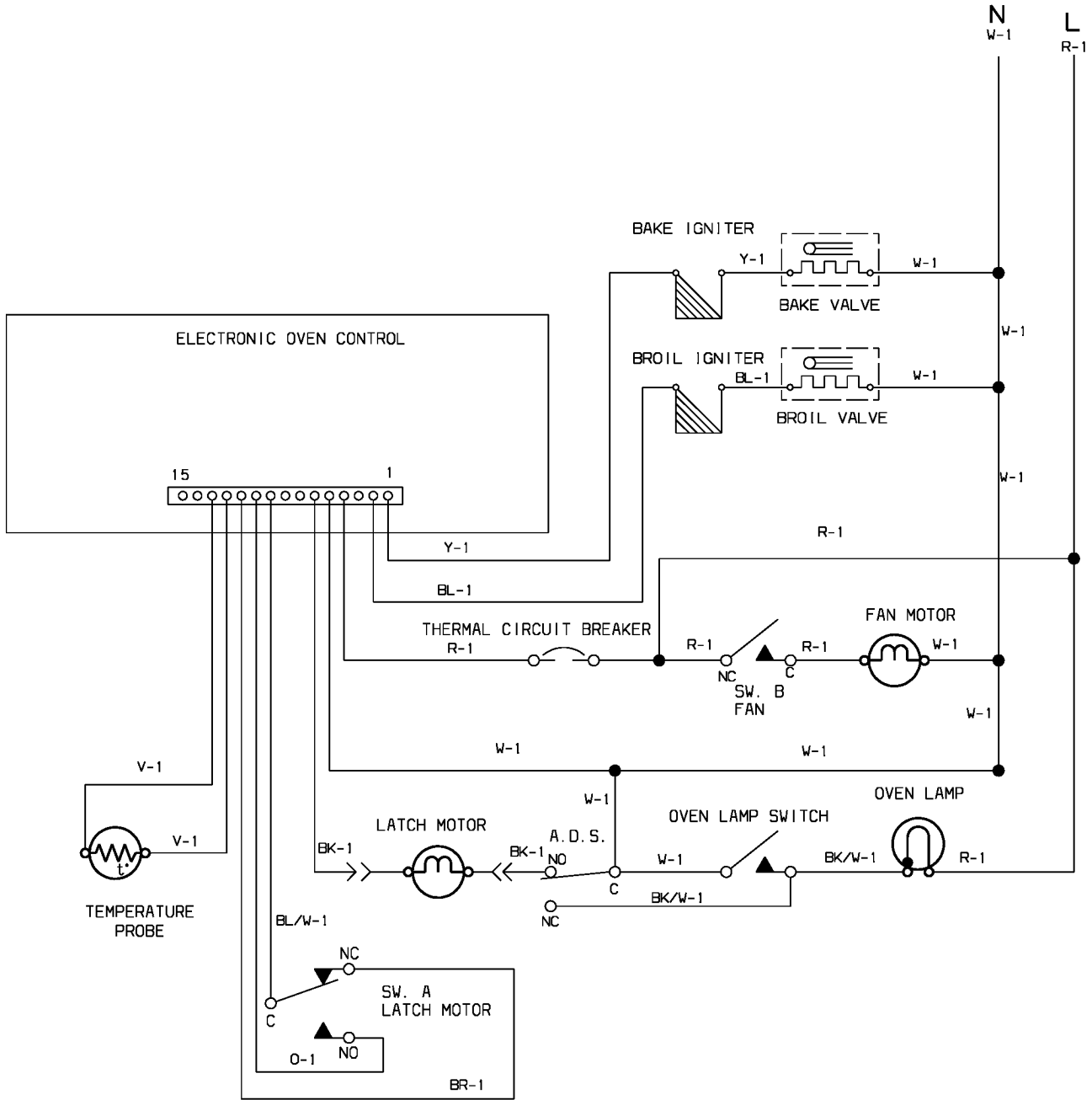
CAUTION:

LABEL ALL WIRES PRIOR TO DISCONNECTION WHEN
SERVICING CONTROLS.
WIRINGS ERROR CAN CAUSE IMPROPER AND
DANGEROUS OPERATION.
VERIFY PROPER OPERATION AFTER SERVICING.

318046309 REV: A

WIRING DIAGRAM - DIAGRAMA DE LA INSTALACIÓN ALÁMBRICA

(For Self-Clean Models with 1 ½ Oven Cavity - Para modelos auto-limpiables con 1½ cavidad)



| | | | |
|------|------|---------|----------|
| 1 | 18 | 125 | 3173 |
| WIRE | GAGE | TEMP °C | UL STYLE |

WARNING

DISCONNECT POWER BEFORE
SERVICING UNIT.

BL/W-1

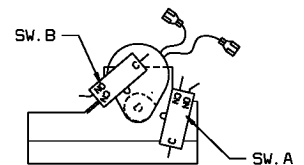
COLOR WIRE NO.

COLOR CODE

| | | | |
|------|-------------------|----|--------|
| BK | BLACK | P | PINK |
| BL | BLUE | PR | PURPLE |
| BR | BROWN | R | RED |
| C | COPPER | T | TAN |
| G | GREEN | V | VIOLET |
| GY | GRAY | W | WHITE |
| O | ORANGE | Y | YELLOW |
| BL/W | BLUE/WHITE STRIPE | | |

NOTE:

CIRCUIT SHOWN WITH ALL CONTROLS SET TO "OFF".
OVEN DOOR CLOSED AND UNLOCKED.



SW. A: LATCH SWITCH

SW. B: FAN SWITCH

318046311 REV: A