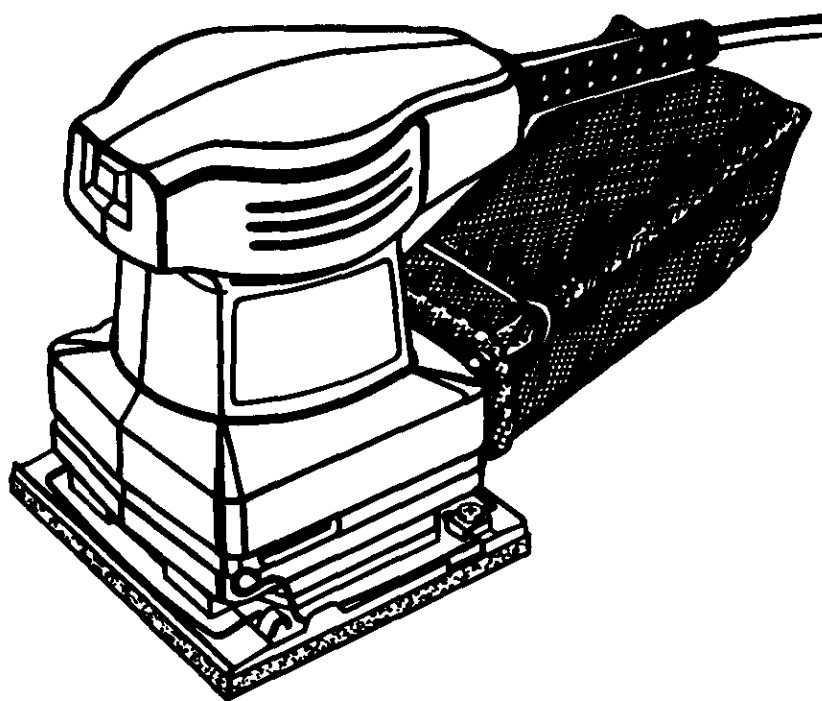


Owner's Manual

CRAFTSMAN®

1/4 SHEET PROFESSIONAL SANDER Double Insulated

Model No.
315.277012



Save this manual
for future reference

⚠ CAUTION: Read and follow all Safety Rules and Operating Instructions before first use of this product.

- Safety
- Features
- Operation
- Maintenance
- Parts List

Customer Help Line: 1-800-932-3188

Sears Roebuck and Co., Hoffman Estates, IL 60179 USA
Visit the Craftsman web page: www.sears.com/craftsman

972000-858
7-01



TABLE OF CONTENTS

■ Table Of Contents	2
■ Warranty	2
■ Introduction	2
■ Rules for Safe Operation	3-4
■ Product Specifications	5
■ Unpacking	5
■ Accessories	5
■ Features	6
■ Operation	6-9
■ Maintenance	10
■ Exploded View and Repair Parts List	12-13
■ Parts Ordering / Service	14

WARRANTY

FULL ONE YEAR WARRANTY ON CRAFTSMAN PROFESSIONAL SANDER

If this **CRAFTSMAN** Professional Sander fails due to a defect in material or workmanship within one year from the date of purchase, Sears will repair it, free of charge.

WARRANTY SERVICE IS AVAILABLE BY SIMPLY RETURNING THE TOOL TO THE NEAREST SEARS STORE IN THE UNITED STATES.

This warranty gives you specific legal rights, and you may also have other rights which vary from state to state.

Sears, Roebuck and Co., Dept. 817WA, Hoffman Estates, IL 60179

INTRODUCTION

Your sander has many features for making sanding operations more pleasant and enjoyable. Safety, performance and dependability have been given top priority in the design of this sander making it easy to maintain and operate.

CAUTION: Carefully read through this entire owner's manual before using your new sander. Pay close attention to the Rules for Safe Operation, Warnings and Cautions. If you use your sander properly and only for what it is intended, you will enjoy years of safe, reliable service.

! Look for this symbol to point out important safety precautions. It means attention!!! Your safety is involved.

! WARNING:



The operation of any sander can result in foreign objects being thrown into your eyes, which can result in severe eye damage. Before beginning power tool operation, always wear safety goggles or safety glasses with side shields and a full face shield when needed. We recommend Wide Vision Safety Mask for use over eyeglasses or standard safety glasses with side shields, available at Sears Retail Stores. Always wear eye protection which is marked to comply with ANSI Z87.1.

RULES FOR SAFE OPERATION

The purpose of safety symbols is to attract your attention to possible dangers. The safety symbols, and the explanations with them, deserve your careful attention and understanding. The safety warnings do not by themselves eliminate any danger. The instructions or warnings they give are not substitutes for proper accident prevention measures.

SYMBOL MEANING



SAFETY ALERT SYMBOL:

Indicates danger, warning, or caution. May be used in conjunction with other symbols or pictographs.



DANGER: Failure to obey a safety warning will result in serious injury to yourself or to others. Always follow the safety precautions to reduce the risk of fire, electric shock and personal injury.



WARNING: Failure to obey a safety warning can result in serious injury to yourself or to others. Always follow the safety precautions to reduce the risk of fire, electric shock and personal injury.



CAUTION: Failure to obey a safety warning may result in property damage or personal injury to yourself or to others. Always follow the safety precautions to reduce the risk of fire, electric shock and personal injury.

NOTE: Advises you of information or instructions vital to the operation or maintenance of the equipment.

DOUBLE INSULATION

Double insulation is a concept in safety, in electric power tools, which eliminates the need for the usual three-wire grounded power cord. All exposed metal parts are isolated from internal metal motor components with protecting insulation. Double insulated tools do not need to be grounded.

WARNING: Do not attempt to operate this tool until you have read thoroughly and understand completely all instructions, safety rules, etc. contained in this manual. Failure to comply can result in accidents involving fire, electric shock, or serious personal injury. Save owner's manual and review frequently for continuing safe operation, and instructing others who may use this tool.

READ ALL INSTRUCTIONS

- **KNOW YOUR POWER TOOL.** Read owner's manual carefully. Learn its applications and limitations as well as the specific potential hazards related to this tool.
- **GUARD AGAINST ELECTRICAL SHOCK BY PREVENTING BODY CONTACT WITH GROUNDED SURFACES.** For example; pipes, radiators, ranges, refrigerator enclosures.
- **KEEP GUARDS IN PLACE AND IN WORKING ORDER.**
- **KEEP WORK AREA CLEAN.** Cluttered areas and benches invite accidents.

IMPORTANT

Servicing of a tool with double insulation requires extreme care and knowledge of the system and should be performed only by a qualified service technician. For service we suggest you return the tool to your nearest Sears Store for repair. Always use original factory replacement parts when servicing.

- **AVOID DANGEROUS ENVIRONMENT.** Do not use power tools in damp or wet locations or expose to rain. Keep work area well lit.
- **KEEP CHILDREN AND VISITORS AWAY.** All visitors should wear safety glasses and be kept a safe distance from work area. Do not let visitors contact tool or extension cord.
- **STORE IDLE TOOLS.** When not in use, tools should be stored in a dry and high or locked-up place – out of the reach of children.
- **DO NOT FORCE TOOL.** It will do the job better and safer at the rate for which it was designed.
- **USE RIGHT TOOL.** Don't force small tool or attachment to do the job of a heavy duty tool. Do not use tool for purpose not intended-for example-don't use a circular saw for cutting tree limbs or logs.
- **WEAR PROPER APPAREL.** Do not wear loose clothing or jewelry that can get caught in tool's moving parts and cause personal injury. Rubber gloves and nonskid footwear are recommended when working outdoors. Wear protective hair

RULES FOR SAFE OPERATION (Continued)

covering to contain long hair and keep it from being drawn into nearby air vents.

- **ALWAYS WEAR SAFETY GLASSES.** Everyday eyeglasses have only impact-resistant lenses; they are **not** safety glasses.
- **PROTECT YOUR LUNGS.** Wear a face or dust mask if the operation is dusty.
- **PROTECT YOUR HEARING.** Wear hearing protection during extended periods of operation.
- **DO NOT ABUSE CORD.** Never carry tool by cord or yank it to disconnect from receptacle. Keep cord from heat, oil, and sharp edges.
- **SECURE WORK.** Use clamps or a vise to hold work. It is safer than using your hand and it frees both hands to operate tool.
- **DO NOT OVERREACH.** Keep proper footing and balance at all times. Do not use on a ladder or unstable support. Secure tools when working at elevated positions.
- **MAINTAIN TOOLS WITH CARE.** Keep tools sharp and clean for best and safest performance. Follow instructions for lubricating and changing accessories.
- **DISCONNECT TOOLS.** When not in use, before servicing, or when changing attachments, tools should be disconnected from power supply.
- **REMOVE ADJUSTING KEYS AND WRENCHES.** Form habit of checking to see that keys and adjusting wrenches are removed from tool before turning it on.
- **AVOID ACCIDENTAL STARTING.** Do not carry plugged-in tool with finger on switch. Be sure switch is off when plugging in.
- **MAKE SURE YOUR EXTENSION CORD IS IN GOOD CONDITION.** When using an extension cord, be sure to use one heavy enough to carry the current your product will draw. An undersized cord will cause a drop in line voltage resulting in loss of power and overheating. A wire gage size (A.W.G.) of at least **16** is recommended for an extension cord 100 feet or less in length. A cord exceeding 100 feet is not recommended. If in doubt, use the next heavier gage. The smaller the gage number, the heavier the cord.
- **OUTDOOR USE EXTENSION CORDS.** When tool is used outdoors, use only extension cords suitable for use outdoors. Outdoor approved cords are marked with the suffix W-A, for example – SJTW-A or SJOW-A.
- **NEVER USE THIS OR ANY POWER SANDER**

FOR WET SANDING OR LIQUID POLISHING.

Failure to comply can result in electrical shock causing serious injury or worse.

- **KEEP HANDS AWAY FROM SANDING AREA.**
- **NEVER USE IN AN EXPLOSIVE ATMOSPHERE.** Normal sparking of the motor could ignite fumes.
- **INSPECT TOOL CORDS PERIODICALLY** and if damaged, have repaired by authorized service facility. Stay constantly aware of cord location.
- **INSPECT EXTENSION CORDS PERIODICALLY** and replace if damaged.
- **KEEP HANDLES DRY, CLEAN, AND FREE FROM OIL AND GREASE.** Always use a clean cloth when cleaning. Never use brake fluids, gasoline, petroleum-based products, or any strong solvents to clean your tool.
- **STAY ALERT AND EXERCISE CONTROL.** Watch what you are doing and use common sense. Do not operate tool when you are tired. Do not rush.
- **CHECK DAMAGED PARTS.** Before further use of the tool, a guard or other part that is damaged should be carefully checked to determine that it will operate properly and perform its intended function. Check for alignment of moving parts, binding of moving parts, breakage of parts, mounting and any other conditions that may affect its operation. A guard or other part that is damaged should be properly repaired or replaced by an authorized service center.
- **DO NOT USE TOOL IF SWITCH DOES NOT TURN IT ON AND OFF.** Have defective switches replaced by an authorized service center.
- **INSPECT FOR** and remove all nails from lumber before sanding.
- **DO NOT** operate this tool while under the influence of drugs, alcohol, or any medication.
- **POLARIZED PLUGS.** To reduce the risk of electric shock, this tool has a polarized plug (one blade is wider than the other). This plug will fit in a polarized outlet only one way. If the plug does not fit fully in the outlet, reverse the plug. If it still does not fit, contact a qualified electrician to install the proper outlet. Do not change the plug in any way.
- **WHEN SERVICING USE ONLY IDENTICAL CRAFTSMAN REPLACEMENT PARTS.**
- **SAVE THESE INSTRUCTIONS.** Refer to them frequently and use them to instruct others who may use this tool. If you loan someone this tool, loan them these instructions also.

SAVE THESE INSTRUCTIONS

SAFETY

⚠ WARNING: Some dust created by power sanding, sawing, grinding, drilling, and other construction activities contains chemicals known to cause cancer, birth defects or other reproductive harm. Some examples of these chemicals are:

- lead from lead-based paints,
- crystalline silica from bricks and cement and other masonry products, and
- arsenic and chromium from chemically-treated lumber.

Your risk from these exposures varies, depending on how often you do this type of work. To reduce your exposure to these chemicals: work in a well ventilated area, and work with approved safety equipment, such as those dust masks that are specially designed to filter out microscopic particles.

PRODUCT SPECIFICATIONS

Size of Paper	1/4 sheet	Rating	120 Volts, 60 Hz, AC only
No Load Speed	14,000 opm	Input	2.0 Amperes
Orbital Motion		Paper Type	Non-Adhesive Sandpaper Adhesive Sandpaper

UNPACKING

Your sander has been shipped completely assembled except for the dust bag. Inspect it carefully to make sure no breakage or damage has occurred during shipping. If any parts are damaged or missing, contact your nearest Sears Retail Store to obtain replacement parts before attempting to operate sander. The dust bag, sandpaper, paper punch, and this owner's manual are also included in the box.

⚠ WARNING: If any parts are missing, do not operate this tool until the missing parts are replaced. Failure to do so could result in possible serious personal injury.

ACCESSORIES

The following recommended accessories are currently available at Sears Retail Stores.

ALUMINUM OXIDE SHEETS WITH PAPER BACKING (1/4 SHEET)

Item No. 9-28275 — X-Fine

Item No. 9-28276 — Fine

Item No. 9-28277 — Medium

Item No. 9-28278 — Coarse

PRESSURE-SENSITIVE ADHESIVE, PAPER BACKED SHEETS (1/4 SHEET)

Item No. 9-28280 — X-Fine

Item No. 9-28281 — Fine

Item No. 9-28282 — Medium

Item No. 9-28283 — Coarse

THE FOLLOWING STANDARD 4-1/2 X 11 in. SANDING SHEETS CAN BE CUT TO FIT YOUR SANDER.

NON-LOADING ALUMINUM OXIDE SANDING SHEETS

Item No. 9-28250 — X-Fine

Item No. 9-28251 — Fine

Item No. 9-28252 — Medium

Item No. 9-28253 — Coarse

⚠ WARNING: The use of attachments or accessories not listed might be hazardous.

FEATURES

KNOW YOUR SANDER

See Figure 1.

Before attempting to use your sander, familiarize yourself with all operating features and safety requirements.

Your sander has a comfortable palm grip handle that provides maximum one-hand control and comfort, plus it reduces operator fatigue during continuous sanding operations; it has quick action paper clamps; it is suitable for sanding with coarse, medium, and fine grit sandpaper; and has a built-in dust collection that collects dust through punched holes in the sandpaper and cushion.

SWITCH

This tool has a simple switch control. To turn your sander **ON**, depress the switch button as shown in figure 1. Depress the switch button in the opposite direction to turn your sander **OFF**.

ELECTRICAL CONNECTION

Your sander has a precision built electric motor. It should be connected to a **power supply that is 120 volts, 60 Hz, AC only (normal household current)**. Do not operate this tool on direct current (DC). A substantial voltage drop will cause a loss of power and the motor will overheat. If your tool does not operate when plugged into an outlet, double-check the power supply.

⚠ WARNING: Do not allow familiarity with your sander to make you careless. Remember that a careless fraction of a second is sufficient to inflict severe injury.

APPLICATIONS

(Use only for the purposes listed below)

- Sanding on wood surfaces.
- Removing rust from and sanding steel surfaces.

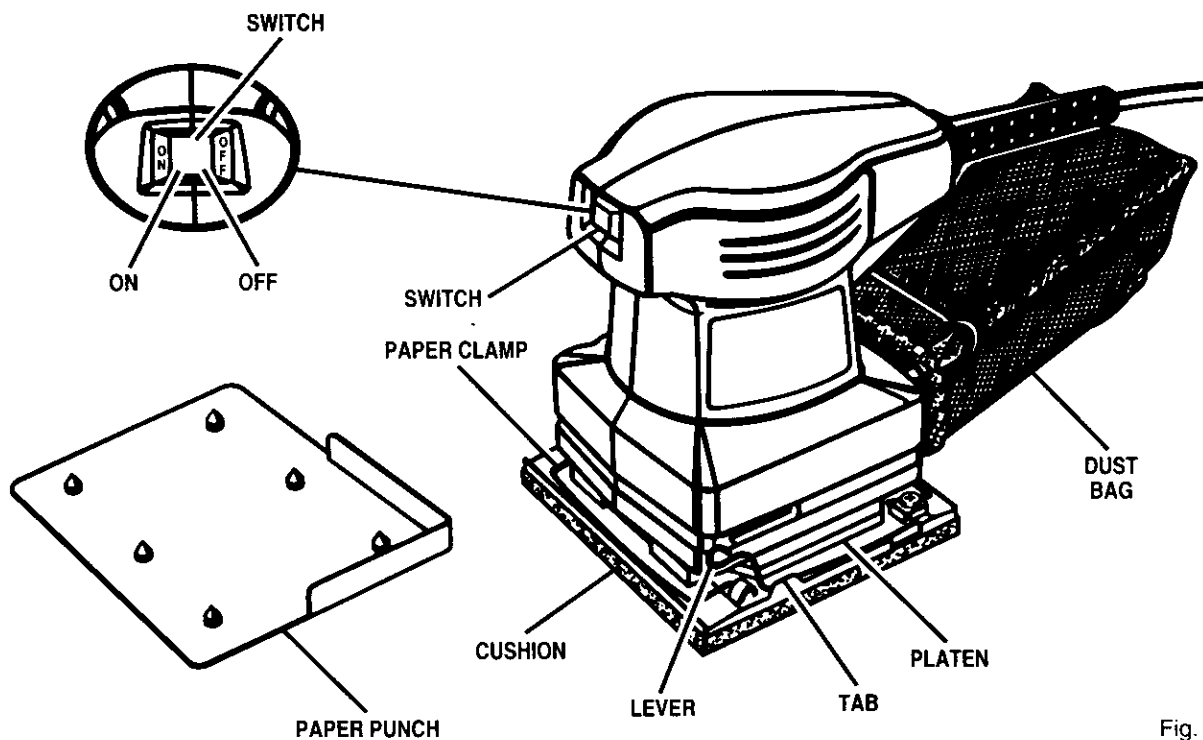


Fig. 1

OPERATION

⚠ WARNING: Your sander should never be connected to power supply when you are assembling parts, making adjustments, assembling or replacing sandpaper, cleaning, or when not in use. Disconnecting your sander will prevent accidental starting that could cause serious personal injury.

OPERATION

INSTALLING SANDPAPER

See Figures 2 and 3.

The cushion on your sander gives you the option of using either non-adhesive sandpaper that clamps to the platen; or adhesive backed sandpaper with pressure sensitive adhesive backing that sticks to the cushion.

INSTALLING NON-ADHESIVE SANDPAPER

See Figure 2.

Inspect sandpaper before installing. Do not use if broken or defective.

- Unplug your sander.

⚠ WARNING: Failure to unplug your sander could result in accidental starting causing possible serious personal injury.

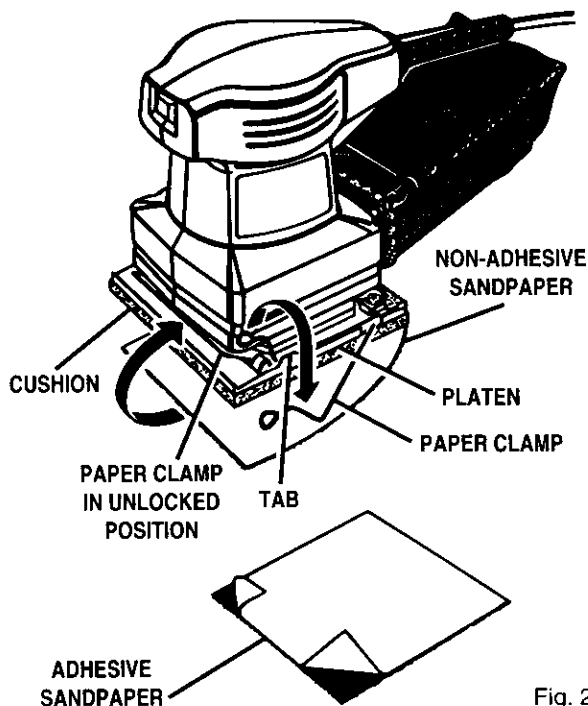


Fig. 2

- If replacing sandpaper, remove old sandpaper. To remove paper, release paper clamp by lifting up on lever and disengaging it from the tab on the platen.
- Insert end of new 1/4 sheet sandpaper approximately (1/2 inch) under the paper clamp.
- Lift up on lever and lock into place. Apply downward pressure to conform sandpaper to platen.
- Wrap sandpaper around cushion. Lift lever on opposite end of sander and insert loose end of sandpaper under the paper clamp. Fit sandpaper against cushion as tight as possible.
- Lift up on lever and lock into place.

INSTALLING ADHESIVE SANDPAPER

See Figure 2.

- Unplug your sander.

⚠ WARNING: Failure to unplug your sander could result in accidental starting causing possible serious personal injury.

- If replacing sandpaper, remove old sandpaper by peeling it off cushion. If removing regular sandpaper, release paper clamp by lifting up on lever and disengaging it from the tab on the platen.
- Remove non-adhesive sandpaper, then lift up on paper clamp lever and lock it into place.
- Carefully peel adhesive backing from new 1/4 sheet sandpaper.
- Position sandpaper, making sure front edge of sandpaper is aligned with front edge of the cushion, then carefully press sticky side of sandpaper on cushion. **Note:** Sandpaper must be aligned with the front edge of the cushion for proper functioning of the flush sanding feature. See Figure 2.

Note: The cushion on your sander is approximately 1/4 in. smaller than precut adhesive backed sanding sheets. If desired you may want to trim off the overhang of sandpaper on the back side of cushion. The cushion has been made smaller so that multiple sheets of non-adhesive sandpaper can be installed.

PAPER PUNCH

See Figure 3.

A paper punch template has been supplied with your sander. It should be used for aligning and punching holes in the sandpaper for alignment with the holes in the cushion.

Punching the holes properly is a necessary step in order for the dustless feature of your sander to function properly.

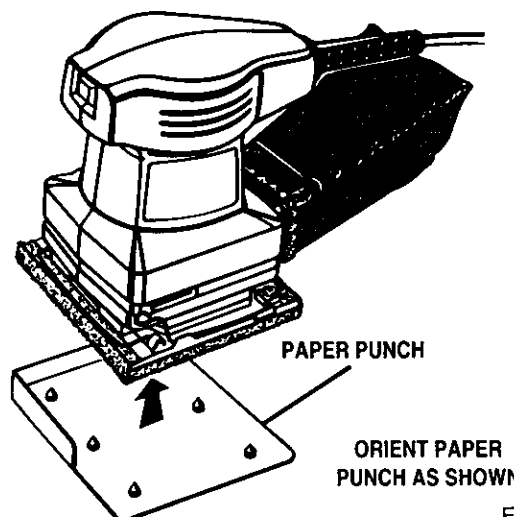


Fig. 3

OPERATION

⚠ WARNING: Always wear safety goggles or safety glasses with side shields when operating your sander. Failure to do so could result in foreign objects being thrown into your eyes, resulting in possible serious injury. If the sanding operation is dusty, also wear a face or dust mask.

SANDPAPER SELECTION

Selecting the correct size grit and type sandpaper is an extremely important step in achieving a high quality sanded finish. Aluminum oxide, silicon carbide, and other synthetic abrasives are best for power sanding. Natural abrasives, such as flint and garnet are too soft for economical use in power sanding.

In general, coarse grit will remove the most material and finer grit will produce the best finish in all sanding operations. The condition of the surface to be sanded will determine which grit will do the job. If the surface is rough, start with a coarse grit and sand until the surface is uniform. Medium grit may then be used to remove scratches left by the coarser grit and finer grit used for finishing of the surface. Always continue sanding with each grit until surface is uniform.

Note: Do not use sander without sandpaper. Doing so will damage the cushion.

PREPARING FOR OPERATION

⚠ CAUTION: Be careful not to let your hand cover the air vents.

SANDING

Clamp or otherwise secure the work to prevent it from moving under your sander.

⚠ WARNING: Unsecured work could be thrown towards the operator causing injury.

Hold your sander in front and away from you, keeping it clear of the workpiece. Start your sander by pressing the switch button to on position and letting the motor build to its maximum speed. Gradually lower your sander on the work with a slight forward movement. *See Figure 4.* Move it slowly using forward and backward strokes.

⚠ WARNING: Do not wear loose clothing or jewelry when operating sander. They could get caught in moving parts causing serious injury. Keep head away from sander and sanding area. Hair could be drawn into sander causing serious injury.

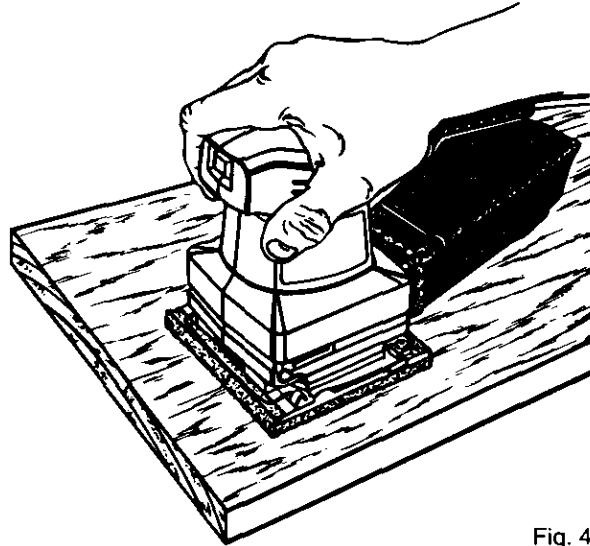


Fig. 4

Do not force. The weight of the unit supplies adequate pressure, so let the sandpaper and sander do the work. Applying additional pressure only slows the motor, rapidly wears sandpaper and greatly reduces sander speed. Excessive pressure will overload the motor causing possible damage from motor overheating and can result in inferior work. Any finish or resin on wood may soften from the frictional heat. Do not allow sanding on one spot too long as the sander's rapid action may remove too much material, making the surface uneven.

Flush sanding can be performed with your sander. *See Figure 5.* The front edge of your sander allows flush sanding in corners. Always remove sander from workpiece before turning your sander off.

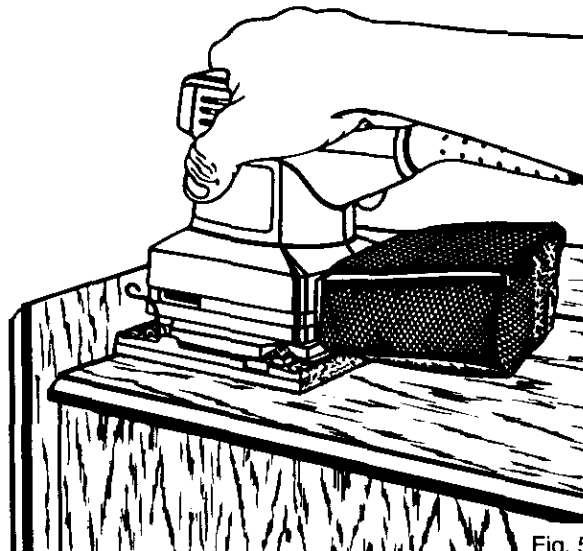


Fig. 5

OPERATION

ORBITAL MOTION

Orbital motion is ideal for fast cutting action when removing old finishes, smoothing rough wood, cutting stock down to required dimensions, or for finishing surfaces to be painted. As shown in figure 6, the sandpaper moves in tiny circles at a very high speed, allowing the sander to move easily.

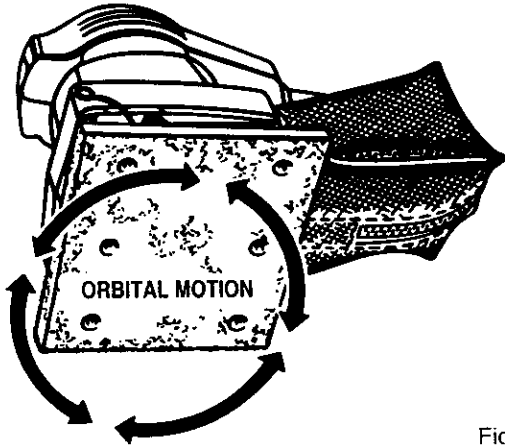


Fig. 6

DUSTLESS SANDING

The dust bag located on the rear of your sander provides a dust collection system for your sander. Sanding dust is drawn up through the holes of the cushion and collects in the dust bag during sanding operation. For more efficient operation, empty dust bag when half full.

TO EMPTY DUST BAG

- Unplug your sander.

⚠ WARNING: Failure to unplug your sander could result in accidental starting causing possible serious personal injury.

- Unzip dust bag.
- Shake dust bag to empty.
- Zip dust bag up after emptying.

TO REMOVE DUST BAG FOR EMPTYING OR CLEANING

See Figure 7.

- Unplug your sander.

⚠ WARNING: Failure to unplug your sander could result in accidental starting causing possible serious personal injury.

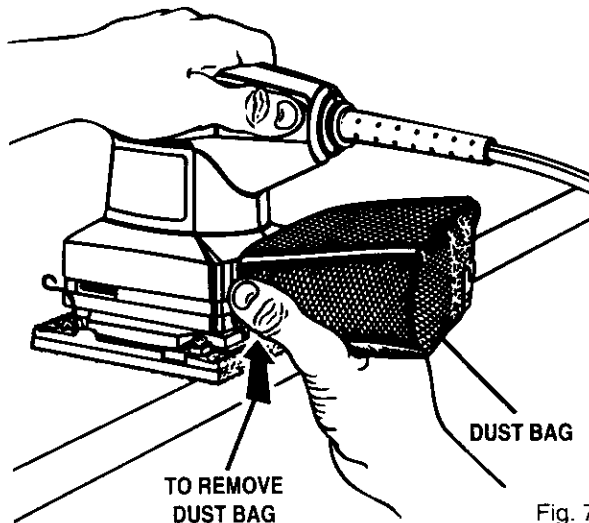


Fig. 7

- Slide dust bag retainer from sander as shown by the arrow in figure 7. **Note:** Grooves on dust bag retainer align with grooves on your sander.

- Empty dust bag.

TO INSTALL DUST BAG

See Figure 8.

- Unplug your sander.

⚠ WARNING: Failure to unplug your sander could result in accidental starting causing possible serious personal injury.

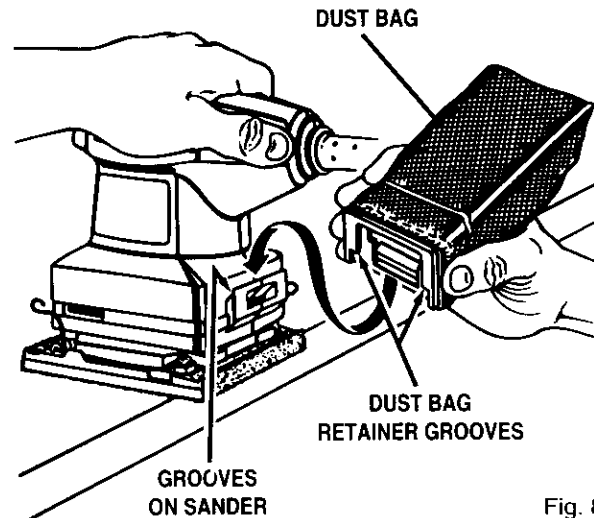


Fig. 8

- Realign grooves on dust bag retainer with grooves on your sander.
- Slide dust bag assembly into place as shown by the arrow in figure 8.

MAINTENANCE

⚠ WARNING: When servicing use only identical Craftsman replacement parts. Use of any other parts may create a hazard or cause product damage.

GENERAL

Only the parts shown on parts list, page 13, are intended to be repaired or replaced by the customer. All other parts represent an important part of the double insulation system and should be serviced only by a qualified Sears service technician.

Avoid using solvents when cleaning plastic parts. Most plastics are susceptible to damage from various types of commercial solvents and may be damaged by their use. Use clean cloths to remove dirt, carbon dust, etc.

⚠ WARNING: Do not at any time let brake fluids, gasoline, petroleum-based products, penetrating oils, etc. come in contact with plastic parts. They contain chemicals that can damage, weaken, or destroy plastic.

It has been found that electric tools are subject to accelerated wear and possible premature failure when they are used on fiberglass boats, sports cars, wallboard, spackling compounds, or plaster. The chips and grindings from these materials are highly abrasive to electric tool parts such as bearings, brushes, commutators, etc. Consequently, it is not recommended that this tool be used for extended work on any fiberglass material, wallboard, spackling compounds, or plaster. During any use on these materials it is extremely important that the tool is cleaned frequently by blowing with an air jet.

EXTENSION CORDS

The use of any extension cord will cause some loss of power. To keep the loss to a minimum and to prevent tool from overheating, use an extension cord that is heavy enough to carry the current the tool will draw.

A wire gage size (A.W.G.) of at least **16** is recommended for an extension cord 100 feet or less in length. When working outdoors, use an extension cord that is suitable for outdoor use. The cord's jacket will be marked **WA**.

⚠ CAUTION: Keep extension cords away from the sanding area and position the cord so that it will not get caught on lumber, tools, etc., during sanding.

⚠ WARNING: Check extension cords before each use. If damaged replace immediately. Never use tool with a damaged cord since touching the damaged area could cause electrical shock resulting in serious injury.

Extension cords suitable for use with your sander are available at your nearest Sears Retail Store.

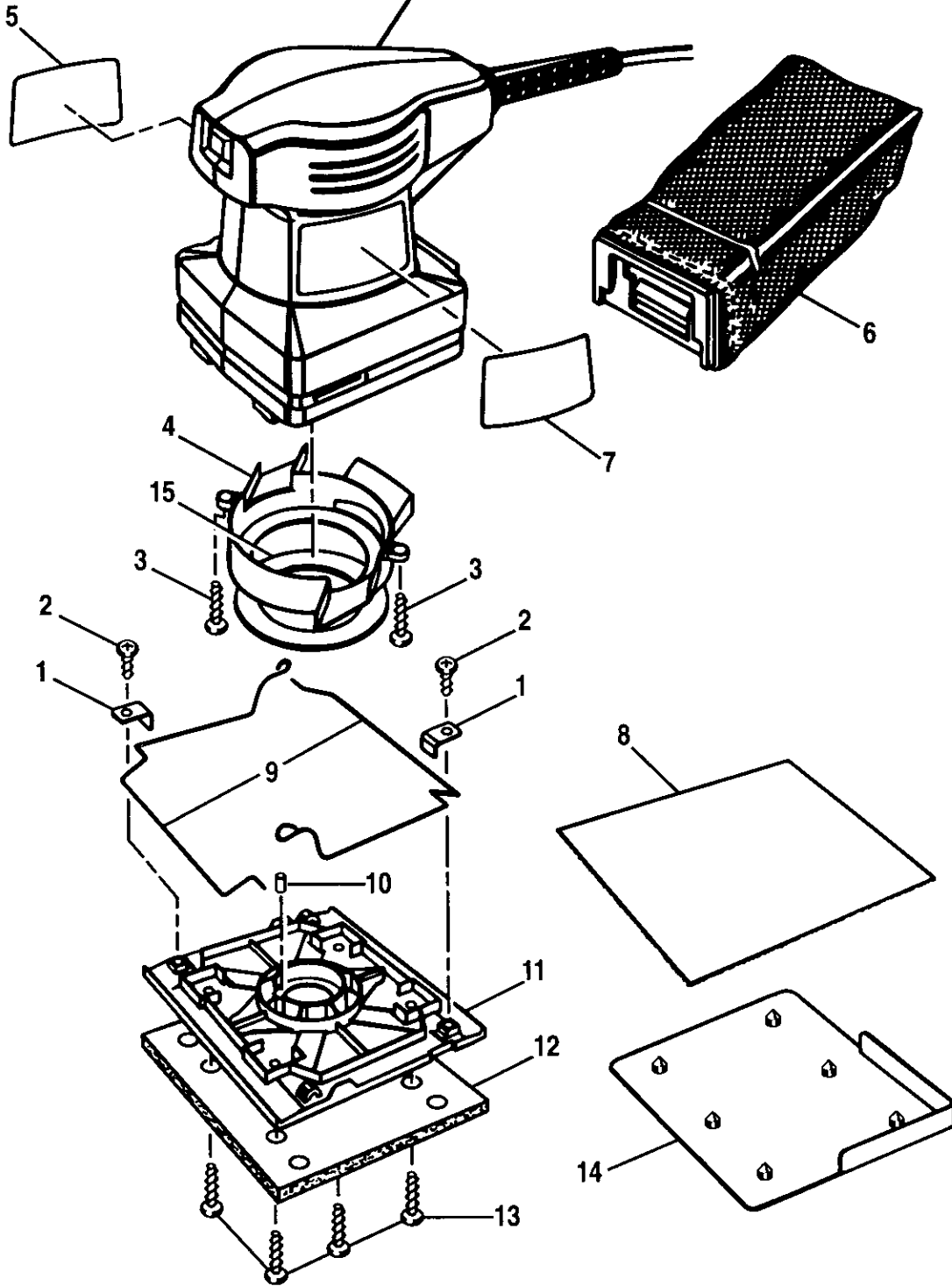
⚠ WARNING: Always wear safety goggles or safety glasses with side shields during power tool operation or when blowing dust. If operation is dusty, also wear a dust mask.

LUBRICATION

All of the bearings in this tool are lubricated with a sufficient amount of high grade lubricant for the life of the unit under normal operating conditions. Therefore, no further lubrication is required.

CRAFTSMAN SANDER – MODEL NO. 315.277012

SEE NOTE "A" PAGE 13



CRAFTSMAN SANDER – MODEL NO. 315.277012

The model number will be found on a plate attached to the motor housing. Always mention the model number in all correspondence regarding your **SANDER** or when ordering repair parts.

SEE BACK PAGE FOR PARTS ORDERING INSTRUCTIONS

PARTS LIST

Key No.	Part Number	Description	Quan.
1	031500-300	Retaining Plate	2
2	968700-004	* Screw (#6-19 x 5/16 in. Pan Hd.)	2
3	968700-007	* Screw (#6-19 x 1/2 in. Pan Hd.)	2
4	662316-001	Fan Baffle	1
5	982598-001	Data Plate	1
6	662514-001	Dust Bag Assembly	1
7	979853-001	Logo Plate	1
8	***	Sandpaper	
9	662318-001	Wire Clamp	2
10	623019-004	Rubber Plug	1
11	662315-003	Platen	1
12	662317-003	Cushion	1
13	617966-030	* Screw (#8-10 x 5/8 in. Pan Hd.)	4
14	662447-001	Paper Punch	1
15	662870-001	Dust Shield	1
	972000-858	Owner's Manual	

NOTE: "A"– The assembly shown represents an important part of the Double Insulated System. To avoid the possibility of alteration or damage to the system, service should be performed by your nearest Sears Repair Center. Contact your nearest Sears Retail Store for Service Center information.

* Standard Hardware Item – May Be Purchased Locally

*** Complete Assortment Available At Your Nearest Sears Retail Store

Get it fixed, at your home or ours!

For repair of major brand appliances **in your own home...**
no matter who made it, no matter who sold it!

1-800-4-MY-HOMESM Anytime, day or night
(1-800-469-4663)

www.sears.com

To bring in products such as vacuums, lawn equipment and electronics
for repair, call for the location of your nearest **Sears Parts & Repair Center.**

1-800-488-1222 Anytime, day or night

www.sears.com

For the replacement parts, accessories and owner's manuals
that you need to do-it-yourself, call **Sears PartsDirectSM!**

1-800-366-PART 6 a m – 11 p m CST,
(1-800-366-7278) 7 days a week

www.sears.com/partsdirect

To purchase or inquire about a Sears Service Agreement:

1-800-827-6655

7 a m – 5 p m. CST, Mon – Sat

Para pedir servicio de reparación a domicilio,
y para ordenar piezas con entrega a domicilio

1-888-SU-HOGARSM
(1-888-784-6427)

Au Canada pour service en français

1-877-LE-FOYERSM
(1-877-533-6937)

