

Save This Manual For  
Future Reference

**SEARS**

*owners  
manual*

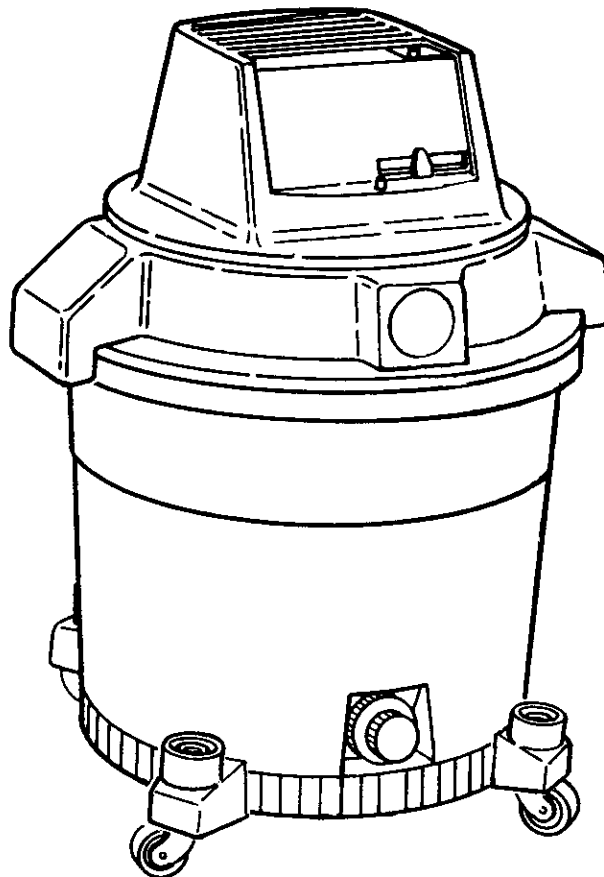
**MODEL NO.  
113.178490  
16 GALLON  
DOUBLE INSULATED  
WET/DRY VAC**

Serial  
Number \_\_\_\_\_

Model and serial number may be found  
on the motor cover.

You should record both model and  
serial number in a safe place for future  
use.

**FOR YOUR  
SAFETY:  
READ ALL  
INSTRUCTIONS  
CAREFULLY**



**SEARS / CRAFTSMAN**

**16 GALLON  
PROFESSIONAL  
WET/DRY VAC**

- assembly
- operating
- repair parts

Sold by SEARS, ROEBUCK AND CO., Chicago, IL. 60684 U.S.A.

## FULL ONE YEAR WARRANTY ON CRAFTSMAN WET/DRY VACS

If within one year from the date of purchase, this Craftsman Wet/Dry Vac falls due to a defect in material or workmanship, Sears will repair it, free of charge.

WARRANTY SERVICE IS AVAILABLE BY SIMPLY CONTACTING THE NEAREST SEARS SERVICE CENTER/DEPARTMENT THROUGHOUT THE UNITED STATES.

This warranty applies only while this product is used in the United States.

This warranty gives you specific legal rights, and you may also have other rights which vary from state to state.

SEARS, ROEBUCK AND CO., Dept. 698/731A, Sears Tower, Chicago, IL 60684

## IMPORTANT SAFETY INSTRUCTIONS

When using your Wet/Dry Vac, follow basic safety precautions including the following.

**WARNING** - To reduce the risk of fire, electric shock, or injury:

Read and understand this owner's manual and all labels on the Wet/Dry Vac before operating. Use only as described in this manual. To avoid personal injury or damage to Wet/Dry Vac, use only Sears Craftsman recommended accessories.

Sparks inside the motor can ignite flammable vapors or dust. To avoid fire or explosion:

- Do not vacuum, or use this Wet/Dry Vac near, flammable or combustible liquids, gases, or explosive dusts like gasoline or other fuels, lighter fluid, cleaners, oil-based paints, natural gas, hydrogen, coal dust, magnesium dust, grain dust, or gun powder.
- Do not use Wet/Dry Vac as a sprayer for any flammable or combustible liquid.

Do not vacuum anything that is burning or smoking, such as cigarettes, matches, or hot ashes.

To avoid health hazards from vapors or dusts, do not vacuum toxic materials.

Do not use or store near hazardous materials.

To avoid electric shock, do not expose to rain. Store indoors.

Do not allow to be used as a toy. Close attention is necessary when used by or near children.

Do not use this Wet/Dry Vac with a torn filter or without the filter installed except for vacuuming liquids as described in the operations section of this manual.

Do not leave Wet/Dry Vac when plugged in. Unplug from outlet when not in use and before servicing. Turn off Wet/Dry Vac before unplugging.

To avoid injury from accidental starting, unplug power cord before changing or cleaning filter.

Do not unplug by pulling on cord. To unplug, grasp the plug, not the cord.

Do not use with damaged cord, plug or other parts. If your Wet/Dry Vac is not working as it should, has missing parts, has been dropped, damaged, left out-

doors, or dropped into water, return it to a Sears Service Center.

Do not pull or carry by cord, use cord as handle, close a door on cord, or pull cord around sharp edges or corners. Do not run Wet/Dry Vac over cord. Keep cord away from heated surfaces.


Do not handle plug or the Wet/Dry Vac with wet hands. Do not put any object into ventilation openings. Do not vacuum with any ventilation openings blocked; keep free of dust, lint, hair or anything that may reduce airflow. Keep hair, loose clothing, fingers, and all parts of body away from openings, and moving parts.

To avoid falls, use extra care when cleaning on stairs. This Wet/Dry Vac is double-insulated, eliminating the need for a separate grounding system. Use only identical replacement parts. Read the instructions for Servicing Double-Insulated Wet/Dry Vacs before servicing.

Extension cords in poor condition or that are too small can pose fire and shock hazards. When using an extension cord, be sure it is in good condition. Using any extension cord will cause some loss of power. To keep the loss to a minimum, use the table below to choose the minimum wire size extension cord.

Extension Cord Length	Wire Size
• 0-50 feet	No. 14
• 50-100 feet	No. 12

Observe the following warnings that appear on the motor housing of your Wet/Dry Vac.

 DOUBLE INSULATED. GROUNDING NOT REQUIRED. WHEN SERVICING USE ONLY IDENTICAL REPLACEMENT PARTS.

**WARNING:** To avoid electric shock, do not expose to rain - store indoors.

**WARNING:** For your own safety, read and understand owner's manual. Do not pick up toxic or flammable materials, hot ashes or coal. Do not use around explosive liquids or vapors.

## SAVE THESE INSTRUCTIONS

The operation of any utility vac can result in foreign objects being blown into the eyes, which can result in severe eye damage. Always wear safety goggles complying with ANSI Z87.1 (shown on Package) before commencing operation. Safety goggles are available at Sears retail or catalog stores.



## INTRODUCTION

This Wet/Dry Vac is intended for either commercial or household use.

### TWO VERY IMPORTANT NOTES – Please Read Carefully

- 1. Exhaust Air** – This wet/dry vac is designed to exhaust some air from two (2) areas around the handles. Air exhausted from these areas is normal.
- 2. Static Shocks Are Common** – In dry areas or when the relative humidity of the air is low. To reduce the frequency of static shocks in your home, the best remedy is to add moisture to the air with a console or installed humidifier.

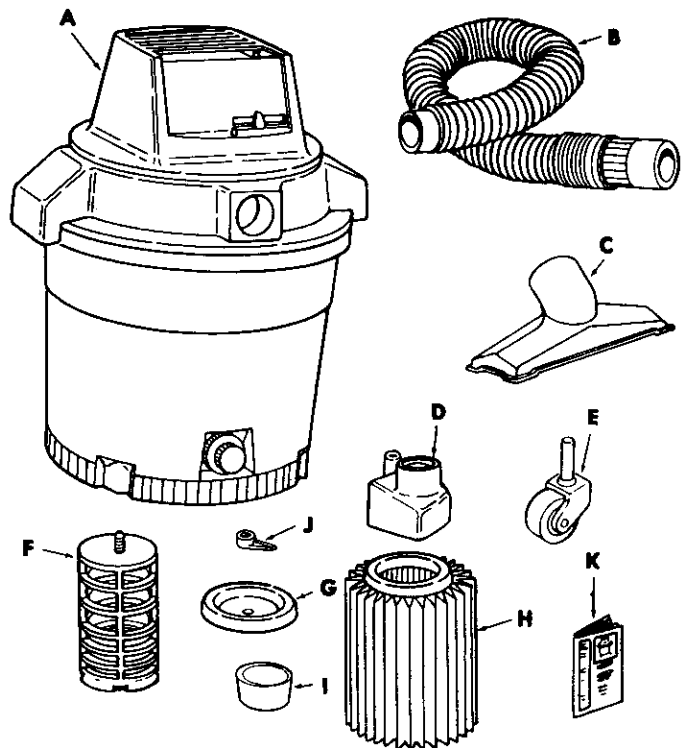
### OWNERS MANUAL CONTENTS

Item	Page
Warranty Information .....	2
Safety Instructions .....	2
Introduction .....	3
Unpacking and Checking Carton Contents .....	3
Assembly .....	4
Operation .....	7
Maintenance .....	8
Repair Parts .....	10

## UNPACKING AND CHECKING CARTON CONTENTS

Remove entire contents of carton. Check each item against the Carton Contents List. Notify your Sears Store immediately if any parts are damaged or missing.

Key	Carton Contents List Description	Qty.
A	Vac Assembly .....	1
B	Hose Assembly .....	1
C	Utility Nozzle .....	1
D	Caster Foot with Accessory Storage .....	4
E	Caster .....	4
F	Filter Cage .....	1
G	Filter Plate .....	1
H	Filter .....	1
I	Float .....	1
J	Filter Nut .....	1
K	Owner's Manual .....	1

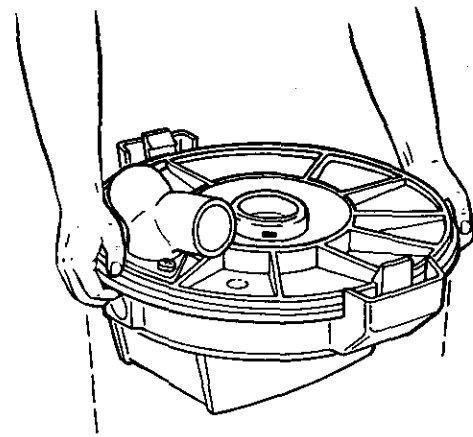


# ASSEMBLY

## float/cage assembly

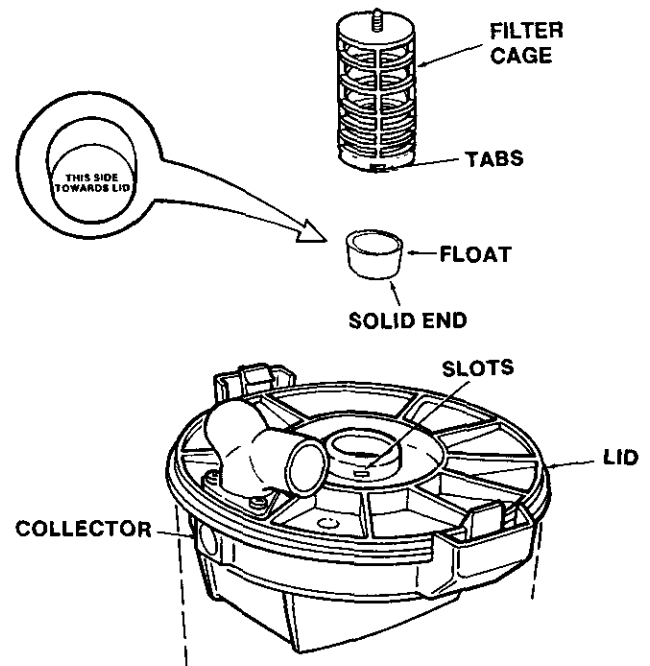
**WARNING:** For your own safety, never connect plug to power source outlet until all assembly steps are complete and you have read and understood the safety and operation instructions. Do not operate vac with any parts damaged or missing.

1. Remove the top section of the vac from the drum and the drum itself out of the carton. Place the top section of vac upside down into the drum or place on a clean smooth surface.

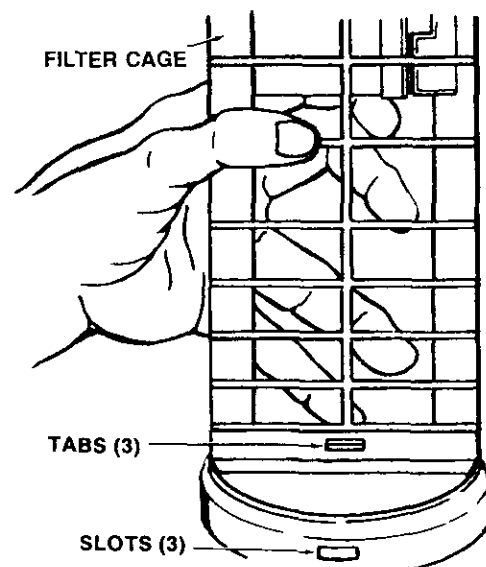


2. Locate the float. Place the float over the opening in the center of the lid with the words "This Side Towards Lid" laying face down over the hole.

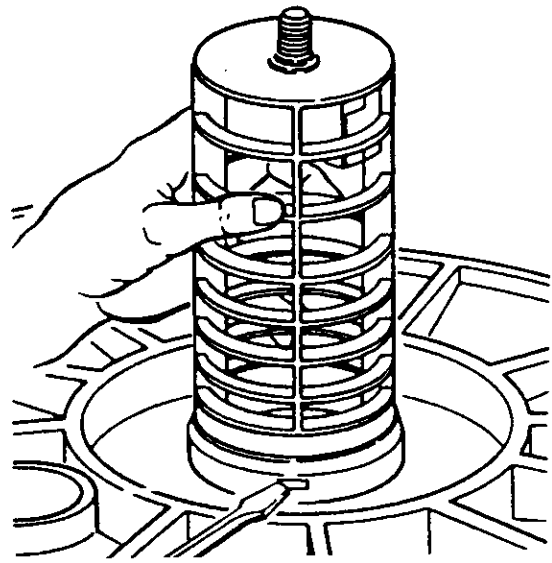
**WARNING:** To avoid personal injury or damage to vac, be sure to keep hands, fingers, or any other foreign objects out of the center opening when assembling the float.



3. Line up filter cage tabs to the slots in the center ring of the lid assembly.
4. Push on the filter cage until the tabs snap into the slots for a secure fit.



**NOTE:** If the filter cage needs to be removed, because the float is placed in the wrong way, use a slotted screwdriver and apply the slotted end to one of the filter cage tabs. Push in on the tab and lift the cage up. Tilt the filter cage slightly away from the open slot to release the other two tabs. Pull the cage away from the lid. To replace, follow float/cage assembly instructions.

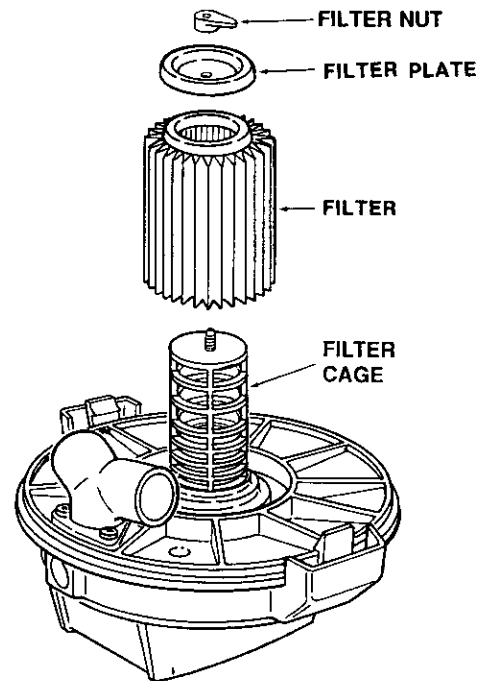


## filter assembly

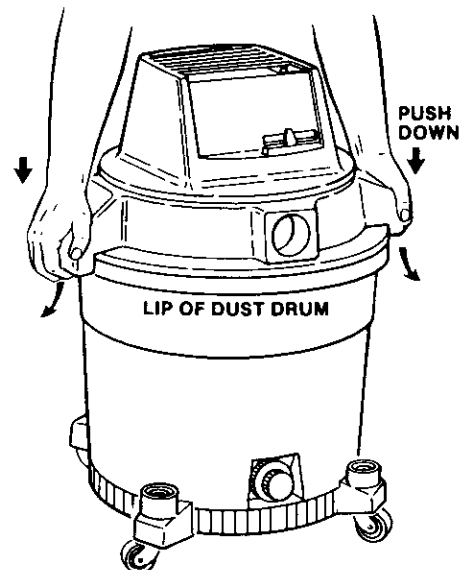
1. Carefully put the filter onto the filter cage by sliding it over the center ring covering the 3 slots until it rests on the lid.
2. Place the hole of the filter plate over threaded screw of the filter cage.
3. Gently push on the filter plate in order for the rubber ring of the filter to seat inside the circular channel of the filter plate.
4. Place filter nut onto threaded screw and tighten it down. Finger tighten only.

**NOTE:** Lever of filter nut should be away from plate as shown.

**CAUTION:** Do not overtighten as this will deform or crack the filter plate or filter cage. Filter nut lever should be away from plate.



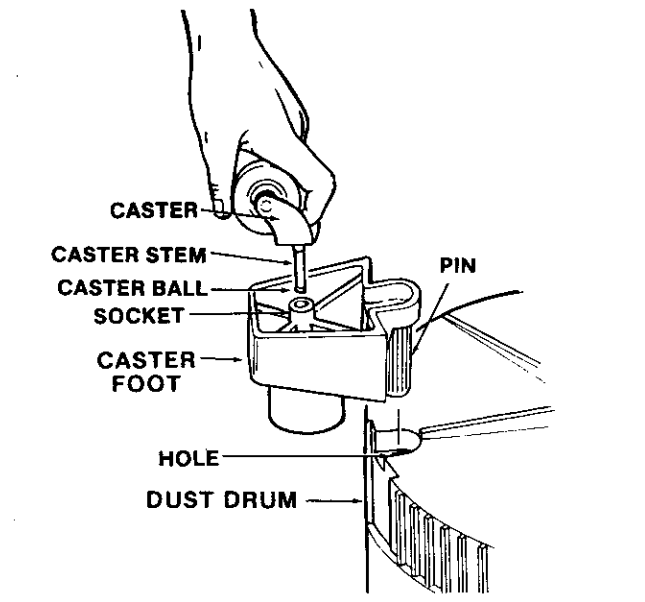
5. Before replacing the lid, check to see if filter nut is tight. It should be tight enough that filter cannot turn easily. Finger tighten only.
6. Put the top back on the dust drum by lining up the vacuuming opening of the top with the drain of the dust drum and push down on both handles at once. Make sure that the locking tabs are snapped in place to prevent the lid from coming off.



## caster/caster foot assembly

1. Turn the dust drum upside down on the floor.
2. Insert the caster feet into the bottom of drum, as shown (4 places).
3. Push on the caster foot until the foot is flush with bottom of the dust drum. Installation of caster feet may require taps with a hammer for complete seating.
4. Insert the caster stem into the socket of the caster foot, as shown (4 places).
5. Push on the caster until the ball on the caster stem is inserted all the way into the socket. You will be able to feel the ball snap into the socket and the caster will swivel easily when positioning is correct.
- 6 Turn the drum upright.

**NOTE:** If the casters are noisy, you may put a drop of oil



on the roller shaft to make them quieter.

## PERFORMANCE INDICATOR

The performance indicator senses air flow through the vacuum cleaner.

When the vac is not running the green indicator is not visible.

Under normal operating conditions, the green indicator will rise from the control panel recess, indicating the system is functioning properly.

**NOTE:** The use of certain accessories that restrict the air flow into the wet/dry vac, such as the crevice tool, may cause the performance indicator to drop out of sight. The vacuum cleaner and filter are still working and can continue to be used.

When the filter is clean and the hose and nozzle unobstructed the Green Performance Indicator will be clearly visible.

When filter is extremely dirty or the hose is clogged, the indicator will drop down out of sight.

When this occurs check the hose and nozzle for obstructions, if these are clear, set switch to "OFF", unplug the vac, remove and clean or replace filter.

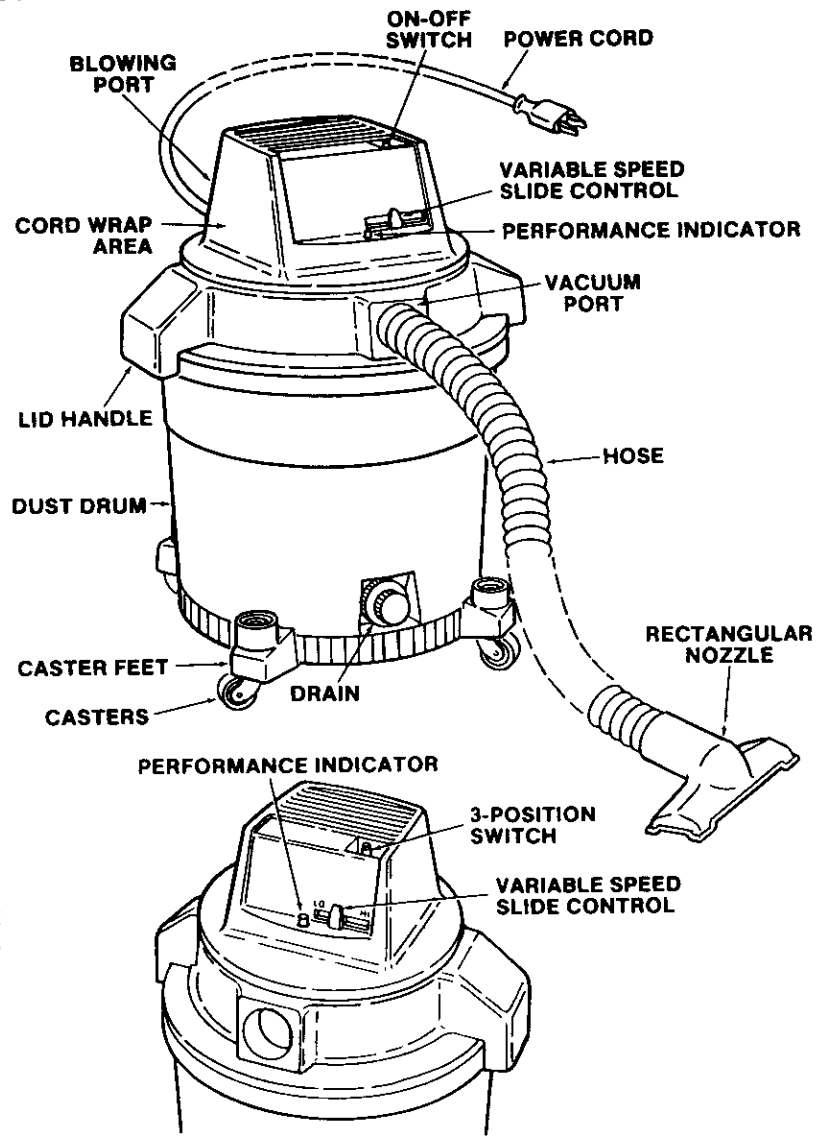
When picking up water or other liquids (refer to warnings on page 2 of this manual) and the nozzle or hose end is completely under water, the indicator will also drop out of sight. In this situation no air can flow, however, the system is functioning and pickup will continue.

## 3-POSITION SWITCH

"HI" position will operate vac at full power.

"OFF" turns vac off.

"VAR" allows you to run vac at different power settings by using the VARIABLE SPEED CONTROL.



This allows you to "Dial Down" the suction of the vac for use on carpet or curtains or whenever you need less than full power.

# OPERATIONS

## WARNING

To avoid fire or explosion caused by the igniting of vapors or dust due to the arcing of the motor brushes, do not operate this vac in areas with flammable vapors such as lighter fluid, cleaners, oil-base paints, gasoline, alcohol or explosive dust such as coal, magnesium, grain or gun powder in the air. Do not vacuum explosive dust, flammable or combustible liquids or hot ashes. Do not use this vac as a sprayer for any flammable or combustible liquid. To avoid health hazards from vapors or dusts, do not vacuum toxic materials. To avoid electrical shock, do not expose to rain. Store vac indoors. Unplug power cord before changing or cleaning filter or emptying the dust drum.

## vacuuming dry materials

1. The filter must be in correct position at all times to avoid leaks and possible damage to vac.
2. When using your vac to pick up very fine sawdust or dust from dry wall type material, it will be necessary for you to empty the drum and clean the filter at more frequent intervals to maintain peak suction at the end of the hose.

**NOTE:** A dry filter is necessary to pick up dry material. If you do not dry it, dust particles such as sawdust may collect on the filter due to the dampness. This may restrict air flow causing the performance indicator to drop out of sight (page 6). You may run the vac to dry the filter faster.

3. If your filter is wet but you need to pick up dry material, you can quickly dry the filter by letting the vac run for about ten minutes before you use it to pick up the dry material. The clean air rushing through the vac will dry the filter enough for dry use.

## vacuuming liquids

1. When the liquid in the drum reaches a predetermined level, a float mechanism will rise automatically to cut off airflow. When the float has risen, turn off the vac, unplug the power cord, and empty the drum.
2. After using the vac to pick up liquids, the filter must be dried to avoid possible mildew and damage to the filter.
3. When picking up small amounts of liquid the filter may be left in place.

4. When picking up large amounts of liquid, we recommend that the filter be removed. If the filter is not removed, it will become saturated and misting may appear in the exhaust air from the handles.

**CAUTION:** To avoid damage to the vac, do not run motor with float in up position.

**NOTE:** You will know that the float has risen because vac airflow ceases and the motor noise will become higher in pitch - due to increase in the motor speed.

## draining the drum

**WARNING:** To avoid injury from accidental starting, unplug power cord before emptying the drum.

1. Your vac has a drain for easy emptying of liquids. Simply unscrew the drain cap and lift slightly to empty the drum of liquid.
2. You may remove the top section of the vac as described in assembly section and dump the contents into a proper waste disposal container.

**WARNING:** To avoid back injury or falls, do not lift a vac heavy with liquid or debris. Scoop enough contents out to make the vac light enough to lift comfortably.

## blowing feature

1. Your vac has capabilities for blowing. You may use the vac to blow sawdust off of your tools or workbench by placing the hose in the exhaust port. A car nozzle or a crevice tool will concentrate the air flow to make for a better blowing feature.

**CAUTION:** Always wear safety goggles complying with ANSI Z87.1 before using as a blower.

## cord wrap

1. When finished using your vac, unplug the cord and wrap it around the motor cover.

## moving the vac

1. Should it become necessary to pick the vac up to move it, DO NOT pick the vac up by the lid handles. To avoid dropping vac due to latch release or part breakage, pick the vac up by the lip of the dust drum.

# MAINTENANCE

## filter maintenance

**WARNING:** Unplug power cord before changing or cleaning filter.

### NOTICE:

This filter is made of high quality paper designed to stop very small particles of dust. The filter can be used for wet or dry pick up. Handle the filter carefully when removing to clean or installing it. Creases in the filter pleats may occur from installation, but creases will not affect the performance of the filter.

### Removal

To remove the old filter for cleaning or replacement, remove the filter nut and the filter plate from the filter and lift the filter off the filter cage.

**CAUTION:** To avoid damage to the blower wheel, always reinstall the filter before using the vac.

### Installation

To ensure a proper seal, clean the lid area where the filter will set. Slide the new filter over the filter cage. Replace filter plate. Then run nut down threads, finger tighten only. Do not overtighten as this will cause deformation or cracks in the filter.

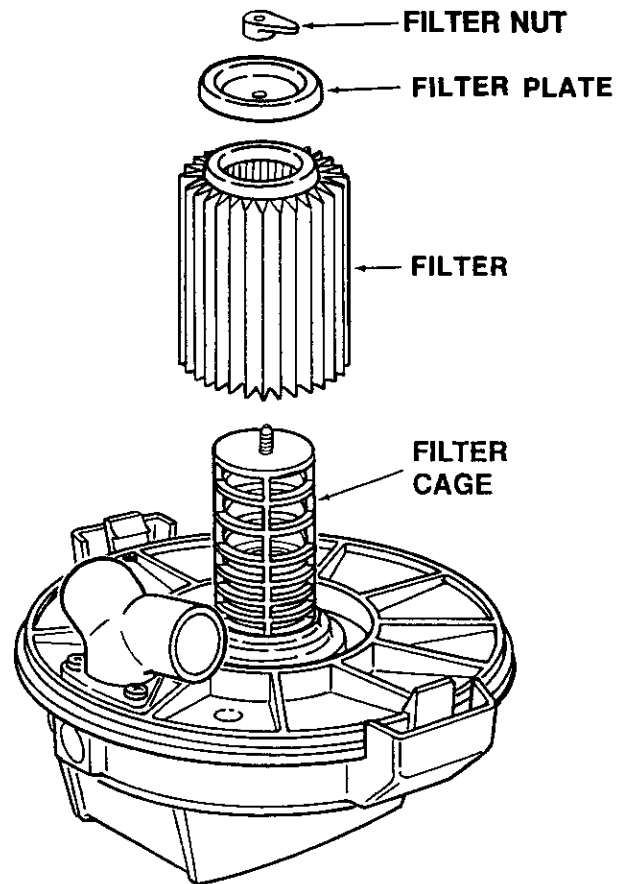
**WARNING:** Do not remove the filter cage. It is there to help prevent your fingers from getting into the blower wheel.

### Cleaning

Your filter should be cleaned often to maintain peak performance. Dry filter before storing or picking up dry debris.

#### DRY FILTER

To remove dry debris, gently tap the filter against the inside wall of your waste container and the debris will loosen and fall. Some removal of dry debris can be accomplished by slapping your hand on top of the lid



while the vac is off and lid is still on the drum.

#### WET FILTER

To clean a wet filter, you can run water from a garden hose through it. Take care that the water pressure from the hose is not strong enough to damage the filter.

**IMPORTANT:** Dry the filter before storing or picking up dry debris. You may run the vac with the filter in place to speed up drying. Check the filter for tears or small holes. Even a small hole can cause a lot of dust to come out of your vac. **Do not use a filter with holes or tears in it. Replace it immediately.**

## wet/dry vac maintenance

### Cleaning Lid Assembly

To keep your Wet/Dry Vac looking its best, clean the outside with a cloth dampened with warm water and mild soap.

### Cleaning Drum

#### DRY DIRTY INTERIOR:

1. Dump debris out.
2. Wash drum thoroughly.

#### WET DIRTY INTERIOR:

1. Dump debris out.
2. For sanitary reasons, never leave wet debris in vac drum after use.
3. The drum can be thoroughly washed by scrubbing when filled with warm soapy water.

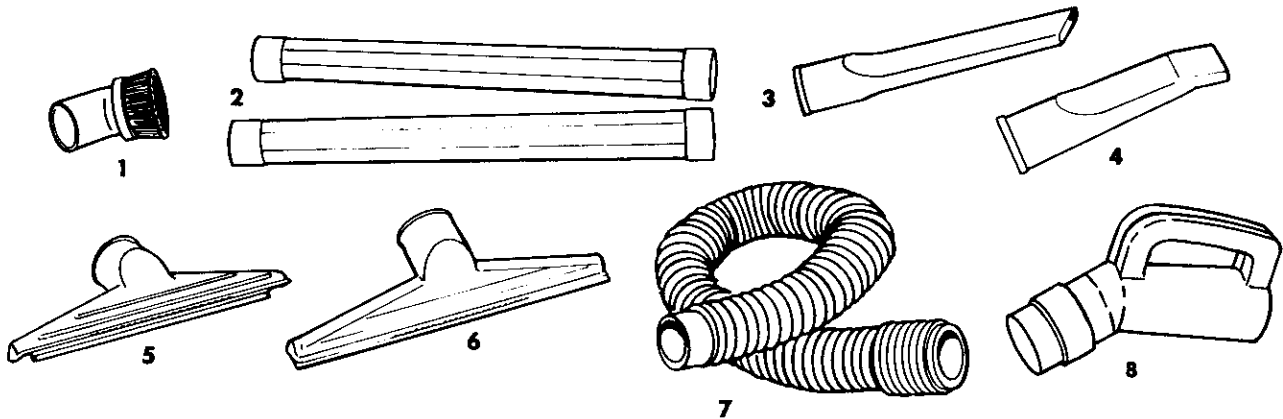
**IMPORTANT!** To assure product **SAFETY** and **RELIABILITY**, repairs and adjustments should be performed by **Sears Service Centers**, always using **Sears replacement parts**.



# SEARS WET/DRY VAC RECOMMENDED ACCESSORIES

**WARNING:** To avoid personal injury or damage from incompatible accessories, use only Sears Craftsman recommended accessories.

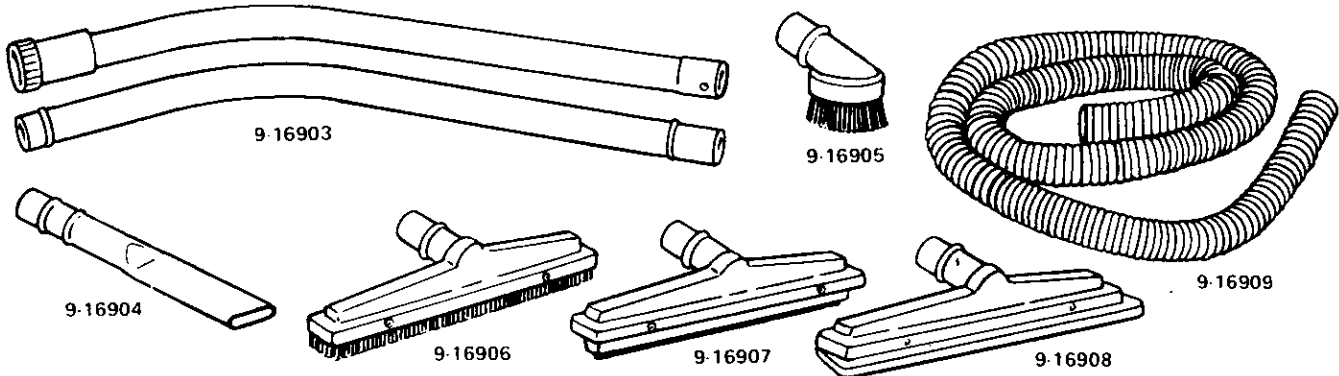
## 2-1/2" DIAMETER PLASTIC ACCESSORIES



- |            |                            |            |                           |
|------------|----------------------------|------------|---------------------------|
| 1. 9-16901 | Round Dusting Brush        | 6. 9-17817 | Squeegee Nozzle           |
| 2. 9-16964 | Two Piece Extension Handle | 7. 9-17820 | Extension Hose, 7 Ft.     |
| 3. 9-16902 | Crevice Tool               | 9-17829    | Extension Hose 13-1/2 Ft. |
| 4. 9-16978 | Car Nozzle                 | 8. 9-16934 | Hose Grip                 |
| 5. 9-16925 | Dry Floor Nozzle           |            |                           |

## 1-1/2" DIAMETER HEAVY DUTY METAL ACCESSORIES

These 1-1/2" Diameter Accessories can be used with any Sears Craftsman Vac provided they are used in conjunction with the 1-1/2" Diameter Hose listed below.



The current 1-1/2" diameter accessories shown above are available at your nearest Sears catalog order store.

**9-16903** – Extension handles for 1-1/2" hose. Extends work area range up to 48" more.

**9-16905** – Round brush for dusting, great on stairs and blinds. Soft bristles pick up dirt from hard-to-clean areas, convenient angled neck.

**9-16909** – 1-1/2" diameter extension hose extends cleaning reach up to 10 ft. Heavy Duty Plastic Hose may be used with 1-1/2" metal accessories or with 2-1/2" plastic accessories. Adapters included.

**9-16907** – Squeegee nozzle for wet pick-up. Complete with built-in, flexible squeegee blade to wipe clean and pick up water, suds and other liquids.

**9-16906** – Nozzle with brush for large area pick-up. Gets dust and dirt from bare floors.

**9-16904** – Crevice tool cleans hard to reach area. Remove long-standing dust from behind radiators, under appliances, beneath low-sitting objects, behind seats.

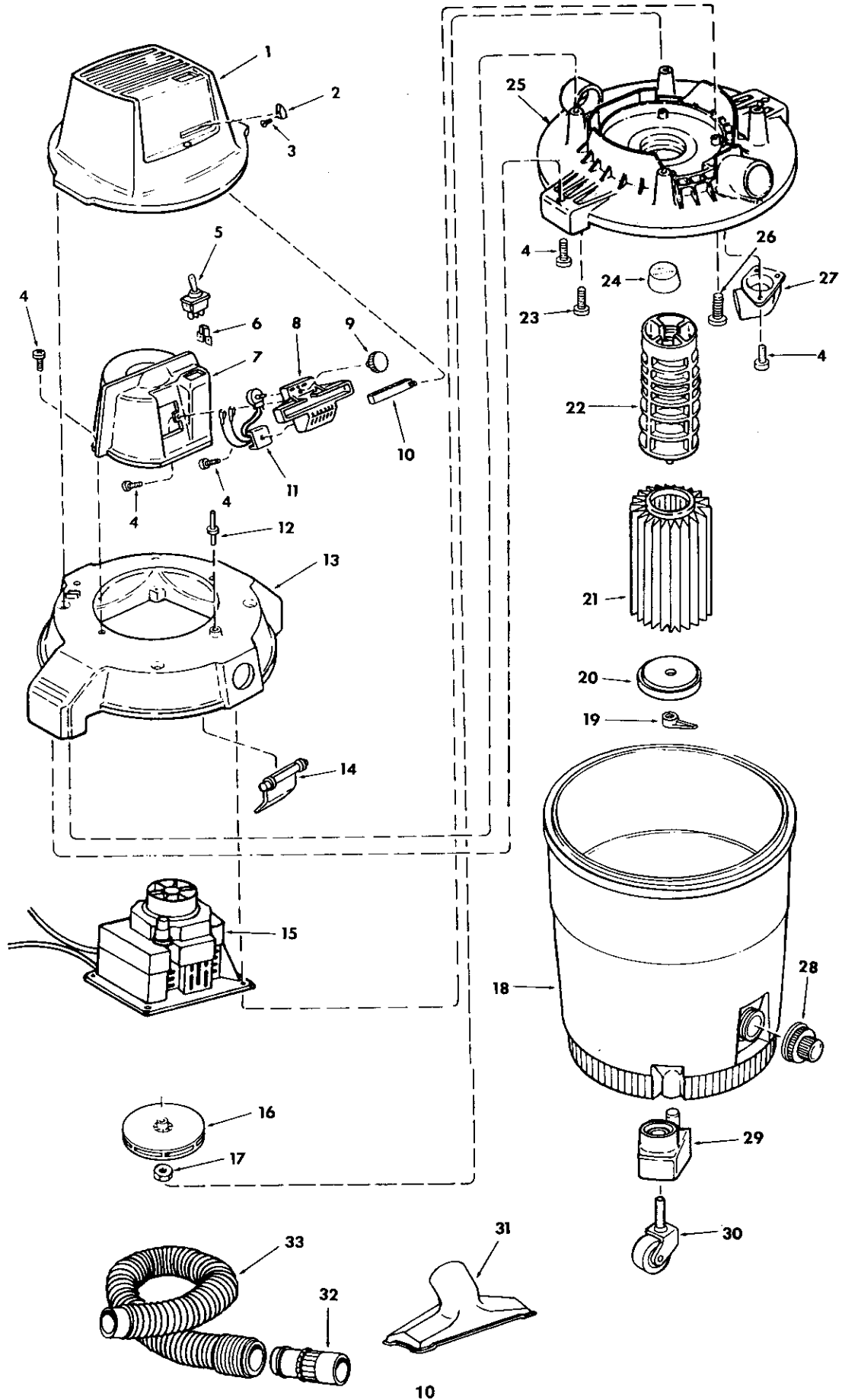
**9-16908** – Indoor/outdoor type carpet nozzle.

### 1-1/2" DIAMETER ACCESSORY SET

**16911** – Includes 10 foot hose, two piece extension handle, carpet nozzle.

The above recommended accessories were current and available at the time of printing.

# PARTS LIST FOR 16 GALLON ELECTRONIC WET/DRY VAC 113.178490



## PARTS LIST FOR 16 GALLON ELECTRONIC WET/DRY VAC 113.178490

**Always order by Part Number - Not by Key Number**

Key No.	Part No.	Description
1	73321	Motor Cover
2	73313	Variable Speed Knob
3	814957	Screw, Flat Hd. Cross Ty "BT" #4 x 1/2
4	9426108	Screw, Pan Cross Ty "AB" #10 x 5/8
5	73319	Toggle Switch
6	73320	Terminal
7	73304	Motor Cap
8	73305	Variable Speed Enclosure
9	73310	Variable Speed Gear
10	73311	Indicator Bar
11	73322	Variable Speed Control
12	73312	Indicator Pin
13	73303	Collector (Includes Key No. 14)
14	73301	Actuator
15	816652-1	Motor (Includes 16 & 17)
16	73374	Blower Wheel
17	73352	Nut, Hex Flange 1/4-20

Key No.	Part No.	Description
18	73191	Dust Drum
19	73316	Filter Nut
20	73317	Filter Plate
21	9-17816	† Filter
22	73362	Filter Cage
23	STD611007	* Screw, Pan Hd. Ty "AB" #10 x 3/4
24	73349	Float
25	73367	Lid
26	806742-3	Screw, Pan Hd. Ty "AB" #10 x 1-1/2
27	28229-01	Nozzle
28	73185	Drain Cap
29	818231	Caster Foot w/Accessory Storage
30	73102	Caster
31	9-16922	† Utility Nozzle
32	73324	Hose Adapter, 2"
33	73323	Hose
—	SP5384	Owner's Manual (Not Illus.)

\* Standard Hardware Item - May be Purchased locally.

† Stock Item - May be secured through the Hardware Department of most Sears Retail Stores or Catalog Houses.

## WARNING

### SERVICING OF DOUBLE-INSULATED WET/DRY VAC

In a double-insulated Wet/Dry Vac, two systems of insulation are provided instead of grounding. No grounding means is provided on a double-insulated appliance, nor should a means for grounding be added. Servicing a double-insulated Wet/Dry Vac requires extreme care and knowledge of the system, and should be done only by qualified service personnel. Replacement parts for a double-insulated Wet/Dry Vac must be identical to the parts they replace. Your double-insulated Wet/Dry Vac is marked with the words "DOUBLE INSULATED" and the symbol (square within a square) may also be marked on the appliances.



**SEARS**

**owners  
manual**

**SERVICE**

**MODEL NO.  
113.178490**

**16 GALLON  
DOUBLE INSULATED  
WET/DRY VAC**

**HOW TO ORDER  
REPAIR PARTS**

**16 GALLON  
PROFESSIONAL  
WET/DRY VAC**

Service is available by returning this Vac to the nearest Sears Service Center/Department throughout the United States.

Model and serial number by be found on the Motor Cover of your Wet/Dry Vac.

WHEN ORDERING REPAIR PARTS, ALWAYS GIVE THE FOLLOWING INFORMATION:

PART NUMBER	PART DESCRIPTION
-------------	------------------

MODEL NUMBER 113.178490	NAME OF ITEM WET/DRY VAC
----------------------------	-----------------------------

All parts listed may be ordered from any Sears Service Center and most Sears stores. If the parts you need are not stocked locally, your order will be electronically transmitted to a Sears Repair Parts Distribution Center for handling.

**Sold by SEARS, ROEBUCK AND CO., Chicago, IL 60684 U.S.A.**